

# MANUAL



**hotspot** titanium

[www.hotspot-titanium.com](http://www.hotspot-titanium.com)

## **The HotSpot Titanium boiling water tap**

Congratulations on your purchase of the HotSpot Titanium. This boiling water tap is the safest and most durable of its kind. The HotSpot Titanium provides comfort and a new way of cooking. With one push of the button, you immediately have the right quantity of boiling water.

The HotSpot Titanium consists of 2 parts: the water heater and the boiling water tap. This guide describes how to install and use the water heater.

All HotSpot Titanium water heaters comply with the most stringent quality requirements, also with respect to energy consumption. For example, high-grade CFC-free material is used to insulate the water heaters. This minimises energy loss.

### **Conformity statement**

Inventum Technologies B.V. is an ISO 9001-certified company. Inventum Technologies B.V. declares that the water heaters listed on the front side comply with:

Low Voltage Directive 2006/95/EC  
EMC directive 2004/108/EC

#### **Harmonised standards:**

EN 60335-1  
EN 60335-2-2-1  
EN 62233

Houten, 6 October 2016

# Table of contents

## USER GUIDE

	<b>Conformity statement</b>	<b>2</b>
<b>1</b>	<b>How to use this guide</b>	<b>4</b>
1.1	Application	4
1.2	Warranty	4
1.3	Liability	5
<b>2</b>	<b>Description</b>	<b>5</b>
2.1	The water heaters	5
2.2	The boiling water taps	5
<b>3</b>	<b>Scope of delivery</b>	<b>6</b>
3.1	Package contents	6
3.2	Technical specifications	7
<b>4</b>	<b>Operation</b>	<b>9</b>
4.1	On/off button	10
4.2	IntelliProtect control button	10
4.3	How to use the tap	11
<b>5</b>	<b>Maintenance</b>	<b>11</b>
5.1	Cleaning	11
5.2	Legionella	11
<b>6</b>	<b>Malfunction</b>	<b>11</b>
6.1	Malfunction table	12
6.2	Error messages	13
<b>7</b>	<b>End of service life</b>	<b>13</b>

## INSTALLATION GUIDE

<b>8</b>	<b>Installation</b>	<b>14</b>
	Steps 1 to 5	14
	Steps 6 to 15	15

### User guide illustrations

Fig. 2.1	HotSpot Titanium 4-litre water heater	5
Fig. 2.2	HotSpot Titanium 8-litre water heater	5
Fig. 3.1	Package contents	6
Fig. 3.2	Electrical wiring diagram	8
Fig. 4.1	Control buttons	9
Fig. 4.2	Pan-filling function	10
Fig. 6.1	Reset button	12
Fig. 6.2	Error messages	13
Fig. 8.1	Connect water supply with inlet combination	14
Fig. 8.2	Dimension drawing for connecting to drain pipe	14
Fig. 8.3	Connect connector of the boiling water tap	15
Fig. 8.4	HotSpot Titanium diagram	15

# 1 How to use this guide

This guide is intended as a reference document for the end user and the fitter. With this guide, the water heater can be installed, used and maintained in a safe manner. Keep this guide in a safe place next to the water heater. The first part is intended for both the user and the fitter. The second part is intended for the fitter only. Carefully read the part of the guide that is intended for you.

Inventum Technologies B.V. compiled this guide with the greatest care. However, no rights may be derived from it. With respect to ongoing product innovation, Inventum Technologies B.V. at all times reserves the right to change the specifications without prior notice.

## 1.1 Application

The water heater is suitable for storage and heating of drinking water under pressure. The water heater, fitted with a certified overpressure protection, should be connected to a water mains with a water pressure that does not exceed 600 kPa (6 bar), otherwise a pressure-reducing valve must be used. Any other use is not in accordance with the intended purpose. Install and use the water heater exclusively when in perfect technical condition and up to 2,000 m above sea level.

## 1.2 Warranty

This water heater has been manufactured with the greatest care and Inventum Technologies B.V. guarantees repair of all material and/or structural defects free of charge.

### Granting of warranty

The implementation of the warranty is primarily the responsibility of the fitter or supplier where the HotSpot Titanium boiling water tap was purchased. Therefore, please always consult your fitter or supplier first.

### Warranty period

- Lifetime corrosion warranty on the titanium inner tank;
- 2-year\* warranty on the water heater, including accessories, without registration;
- 5-year warranty on materials after registering the product on the website.

\* starting from the date on the invoice

## Warranty conditions

- In the event of a warranty claim, please provide the model and serial number of the water heater and the model number of the boiling water tap (the model plate is located on the back of the water heater housing).
- The invoice together with the date of purchase must be produced.
- You should register your product for warranty coverage within 3 months of purchase.
- This can be done online at [www.hotspot-titanium.com](http://www.hotspot-titanium.com).

### The warranty only applies if:

- there are material and structural defects (to be assessed by the manufacturer);
- the system is installed, used and maintained in accordance with the supplied installation and operating guide;
- the system has not undergone any structural changes or adjustments;
- the defect is not the result of boiling dry, too hard or too aggressive drinking water, aggressive liquids or substances, damp or gasses and interior or exterior corrosion or scaling;
- the defect is not the result of the owner's own fault, neglect or improper use.

### Warranty exclusion

- Labour costs
- Call-out charges
- Shipping costs
- Administration costs
- Transport damage
- Secondary damage, such as fire damage, loss of profits, water damage or physical injury
- In areas where the water hardness exceeds 12 °dH\*, Inventum Technologies B.V. recommends the use of a filter system with water softener. In areas with values above 14 °dH, Inventum Technologies B.V. stipulates the use of water softener with ion exchanger as a warranty condition.

\* dH = 'Deutsche Härte' (German expression of water hardness in degrees)

### Service

Always refer to the local fitter or dealer if you have problems with the installation and/or operation of the water heater. You can also re-order parts there.

### PLEASE NOTE

Malfunctioning of one or more parts in no way justifies the replacement or return of the whole water heater. All relevant water heater parts are available at short notice.

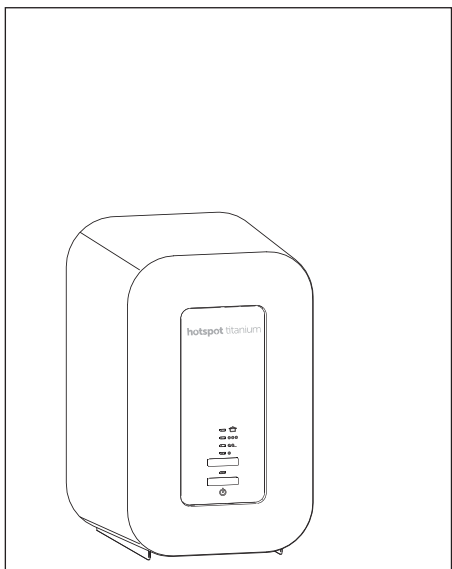
## 1.3 Liability

Inventum Technologies B.V. or your fitter/supplier accepts no liability for damage or physical injury of any kind caused by:

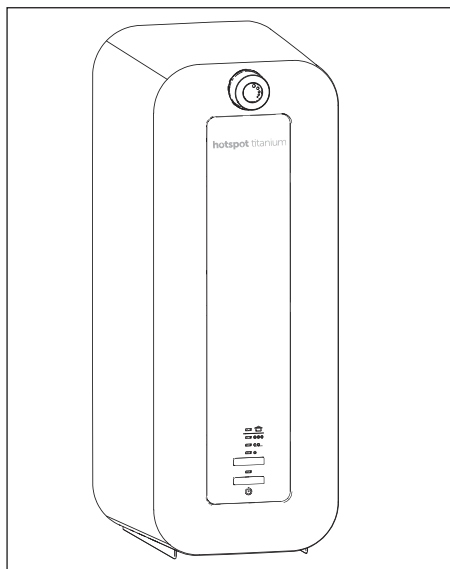
- not following the instructions in this guide;
- carelessness during the installation, use, maintenance and repair of this system;
- use not compliant with the application;
- using parts not supplied by the manufacturer;
- consequential damage resulting from leakage.

## 2 Description

### 2.1 The HotSpot Titanium water heaters



**Fig. 2.1 HotSpot Titanium 4-litre water heater 40131500**



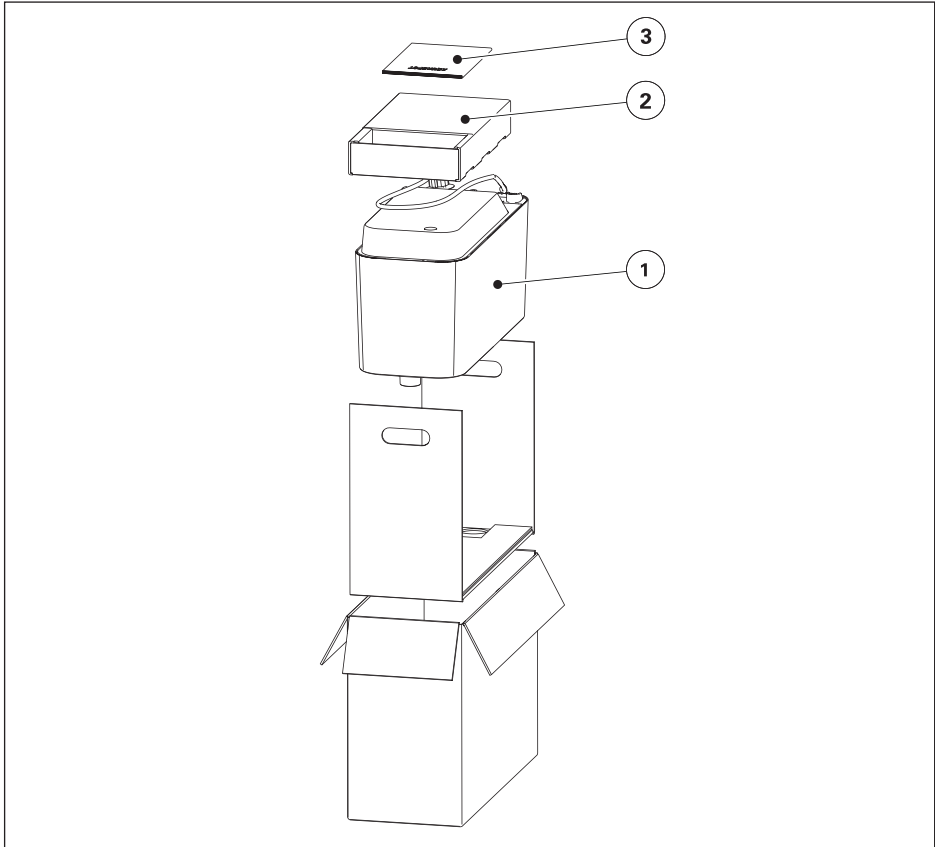
**Fig. 2.2 HotSpot Titanium 8-litre water heater 40131200**

HotSpot Titanium water heaters must be used in combination with a HotSpot Titanium boiling water tap.

### 2.2 HotSpot Titanium boiling water taps

The HotSpot Titanium water heater only works in combination with an original HotSpot Titanium boiling water tap. To match the design of your kitchen as best as possible, a number of different models are available. Visit [www.hotspot-titanium.com](http://www.hotspot-titanium.com) to see the whole water tap range.

### 3 Scope of delivery



**Fig. 3.1** Package contents of water heater

#### 3.1 Package contents of water heater

After purchase, please check whether the following are supplied:

- 1) HotSpot Titanium water heater tank
- 2) HotSpot Titanium connection set
- 3) User and installation guide



**To prevent dangerous situations, both the HotSpot Titanium water heater and HotSpot Titanium boiling water tap have to be installed by a registered professional in accordance with the supplied installation instructions.**

**\* The installation instructions can be found at the back of this booklet (Chapter 8).**

### 3.2 Technical specifications

Sizes and weights	Unit	HotSpot Titanium 8-litre water heater	HotSpot Titanium 4-litre water heater
Contents of the water tank	L	8	4
Dimensions (w x h x d)	mm	210 x 525 x 285	210 x 325 x 285
Empty weight	kg	5.1	3.5
Full weight	kg	13.1	7.5
<b>Electrical specifications</b>			
Supply voltage	V <sub>≈</sub> / Hz	220-240 / 50	220-240 / 50
Power input	W	2100	2100
Connection	A	16 A group earthed wall socket	16 A group earthed wall socket
Stoppage loss	W	25	16
<b>Hydraulic specifications</b>			
Drinking water connection	Inches	G1/2" interior	G1/2" interior
HotSpot Titanium boiling water tap		Special coupling	Special coupling
Hot water connection	Inches	G3/8" exterior	Not available
Max. water pressure	kPa	600 (6 bar)	600 (6 bar)
Max. flow rate of boiling water	lpm	approx. 2	approx. 2
<b>Ambient conditions</b>			
Ambient temperature	°C	0 - 40 °C	0 - 40 °C
Humidity		5 - 95%	5 - 95%
<b>PLEASE NOTE:</b> It is not possible to connect the water heater to hot water (hot-fill).			



In areas where the water hardness exceeds 12 °dH, Inventum Technologies B.V. recommends the use of a filter system with water softener. In areas with values above 14 °dH, Inventum Technologies B.V. stipulates the use of water softener with ion exchanger as a warranty condition.

You can obtain information regarding the water hardness at your place of residence from your water company.

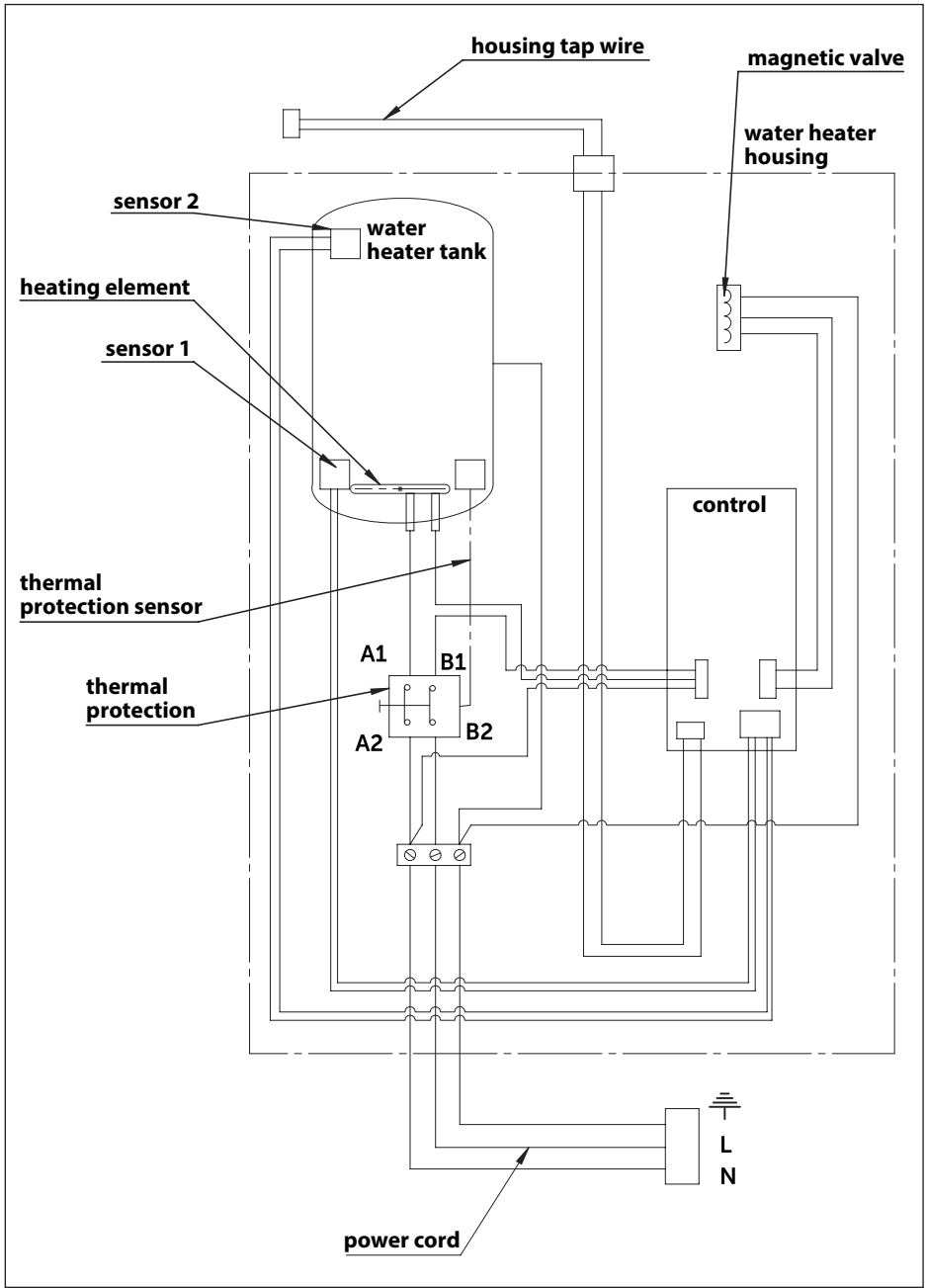


Fig. 3.2 Electrical wiring diagram



## 4 Operation



This appliance is not intended for use by persons (including children) with physical, mental and/or visual limitations, or lack of knowledge and experience, unless supervised by a suitably qualified person.



Please note that this appliance is not a toy! Parents and/or carers should prevent children from playing with it.



Do not use plastic (disposable) cups to collect the boiling water. These cups are often not resistant to high temperatures!



If you fill a cup, glass or pan with the HotSpot Titanium boiling water tap, it will quickly become very hot! Please take this into account and use oven mitts or oven cloths as protection.



You must always be careful with the boiling water that flows from the tap! Scalding hazard when in direct contact with skin!



Cups with concave bottoms should be placed carefully under the flow in order to prevent the boiling water from flowing over the rim.

The water heaters have a number of buttons:

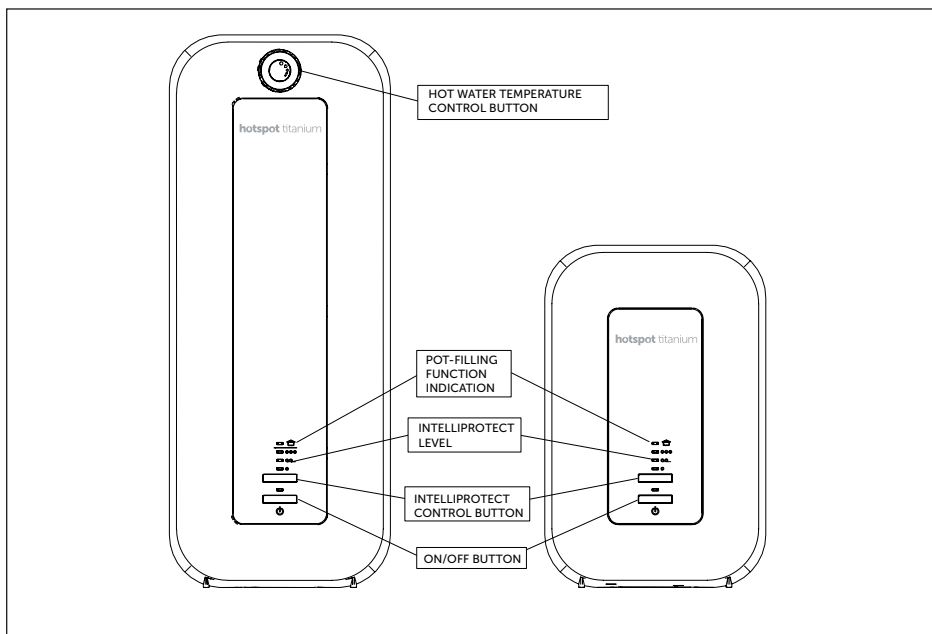


Fig. 4.1 Control buttons on the water heaters

## 4.1 On/off button

You switch the water heater on or off by pressing the on/off button for at least 2 seconds. When the water heater is switched on, all LEDs will light up briefly. When the water heater is switched off, it will keep using a minimum amount of electricity (less than 1W).

## 4.2 IntelliProtect control button®

The HotSpot Titanium boiling water tap is equipped with the IntelliProtect® safety system. This system ensures that you are aware of how you use the HotSpot Titanium.

**The IntelliProtect® system allows you to set three different safety levels:**

### Safety level 1:

As soon as the electronic control button is pressed, the light at the base of the tap will illuminate to indicate this. After 0.5 seconds the valve will open and boiling water will flow from the tap.

This setting provides optimal convenience thanks to the quick and easy operation. The waiting time prevents unintended use. Recommended in a closed environment without children where the HotSpot Titanium is used by experienced persons. The flow of boiling water stops as soon as the button is released.

### Safety level 2:

The system dispenses boiling water when the electronic control button is pressed twice in succession:

1 x short, immediately followed by keeping the button pressed down. The flow of boiling water stops as soon as the button is released. This is the default setting, a good compromise between safety and user-friendliness.

### How to use the pan-filling function:

You can select the safety level and pan-filling function by repeatedly pressing the IntelliProtect® button.

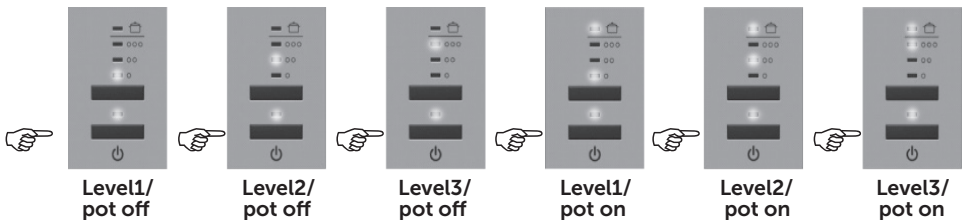


Fig. 4.2 Control buttons on the pan-filling function

### Safety level 3:

Almost identical to safety level 2, but the system dispenses boiling water after you have pressed the electronic control button 3 times in succession: 2x short, immediately followed by keeping the button pressed down.

This IntelliProtect® level offers maximum safety. Recommended if there are small children about, in (semi) public spaces, etc. The flow of boiling water stops as soon as the button is released.



If you press the control button within 2 seconds after releasing it, water will immediately start flowing again. This way, you can add a small amount of water if the required level has not been obtained.

*Please note: the factory default setting for IntelliProtect® is level 2. The pan-filling function is switched off.*

### Pan-filling function

The pan-filling function is convenient when you regularly require larger amounts of boiling water. You do not need to keep the button pressed down.

At this level, the HotSpot Titanium will keep dispensing boiling water when the tap button is kept pressed for longer than 10 seconds. Even when the electronic control button is released. As soon as the control button is pressed again, the water flow will stop immediately.



After stopping the pan-filling function, it is possible to immediately dispense water again within 2 seconds. This way, you can add a small amount of water if the required

level has not yet been obtained. The pan-filling function is restarted after 10 seconds.

### 4.3 How to use the tap

The HotSpot Titanium uses an electronic control button on the tap to let water flow from the tap. Using completely safe low-voltage, the IntelliProtect® system guards over the safety of you and your family members. The tap body and spout will always have a pleasant low temperature, even when dispensing water for a longer period. Read the user and installation guide of your tap for further information.

## 5 Maintenance

When installing the HotSpot Titanium water heater, be sure to check the quality of your water. If you live in an area with hard water (more than 12 °dH), we recommend using a water filter (see Warranty section).

### 5.1 Cleaning

Both the water heater housing and the tap body can easily be cleaned with a soft cloth. Do not use aggressive or abrasive detergents.

### 5.2 Legionella

Since the HotSpot Titanium water heater stores the water at a very high temperature, it is not necessary to take preventive measures against legionella infection. Legionella cannot survive at this temperature.

## 6 Malfunction

The HotSpot Titanium boiling water tap is a Dutch quality product developed on the basis of many years of experience, and it is made of first-class materials. In the unlikely event of a malfunction, you can rectify it by using the table below. If the action described does not have the required effect, pull the plug out of the wall socket and notify your fitter. First, note the product name, model number and serial number of your HotSpot Titanium water heater. You can find this information on the back of the appliance.



Your HotSpot Titanium boiling water tap may only be repaired by a registered professional. Do not repair it yourself, as this may lead to dangerous situations. Repairs by non-qualified persons render your warranty invalid.

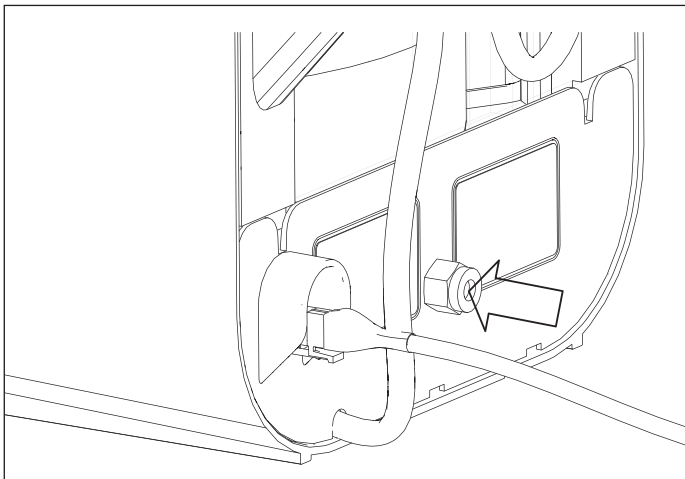


If the power cable is damaged, it may only be replaced by our Inventum Technologies B.V. technical repair service in order to prevent dangerous situations.

## 6.1 Malfunction table

MALFUNCTION	EXPLANATION	SOLUTION
<b>Not enough water</b>	<ul style="list-style-type: none"> <li>Water pressure too low</li> <li>Shutoff valve is not properly open</li> <li>Calcification of the spout</li> <li>Kinked hoses</li> </ul>	<ul style="list-style-type: none"> <li>Check another tap. If the pressure is too low, check the mains stopcock and contact the water company</li> <li>Open the shutoff valve</li> <li>Clean/replace the aerator</li> <li>Bend back the hose(s) and possibly retighten the swivel to prevent the hose developing another kink.</li> </ul>
<b>Water heater is leaking</b>	<ul style="list-style-type: none"> <li>Leaky hose coupling or leaky inner tank</li> </ul>	<ul style="list-style-type: none"> <li>Contact your fitter</li> </ul>
<b>No boiling water</b>	<ul style="list-style-type: none"> <li>The IntelliProtect tap hose is not connected</li> <li>Break in the cable of the tap</li> <li>Valve defective</li> <li>Water heater has not yet reached the correct temperature</li> <li>Sensor defect</li> <li>The inlet combination tap is closed</li> </ul>	<ul style="list-style-type: none"> <li>Connect the IntelliProtect hose according to <i>fig. 8.3</i> of the installation instructions</li> <li>Contact your fitter</li> <li>Contact your fitter</li> <li>Wait approx. 15 minutes after switching on</li> <li>Contact your fitter</li> <li>Fully open the inlet combination tap (turn anti-clockwise).</li> </ul>
<b>Sputtering, irregular flow</b>	<ul style="list-style-type: none"> <li>Calcification of the spout</li> </ul>	<ul style="list-style-type: none"> <li>Clean/replace the aerator</li> </ul>

\* If your problem has not been solved, please refer to the FAQs.  
[www.hotspot-titanium.com](http://www.hotspot-titanium.com)



**Fig. 6.1 Reset button**

## 6.2 Error messages

If the controls detect an error, this is indicated by a flashing on/off LED. Furthermore, one or more LEDs will flash according to the following diagram:

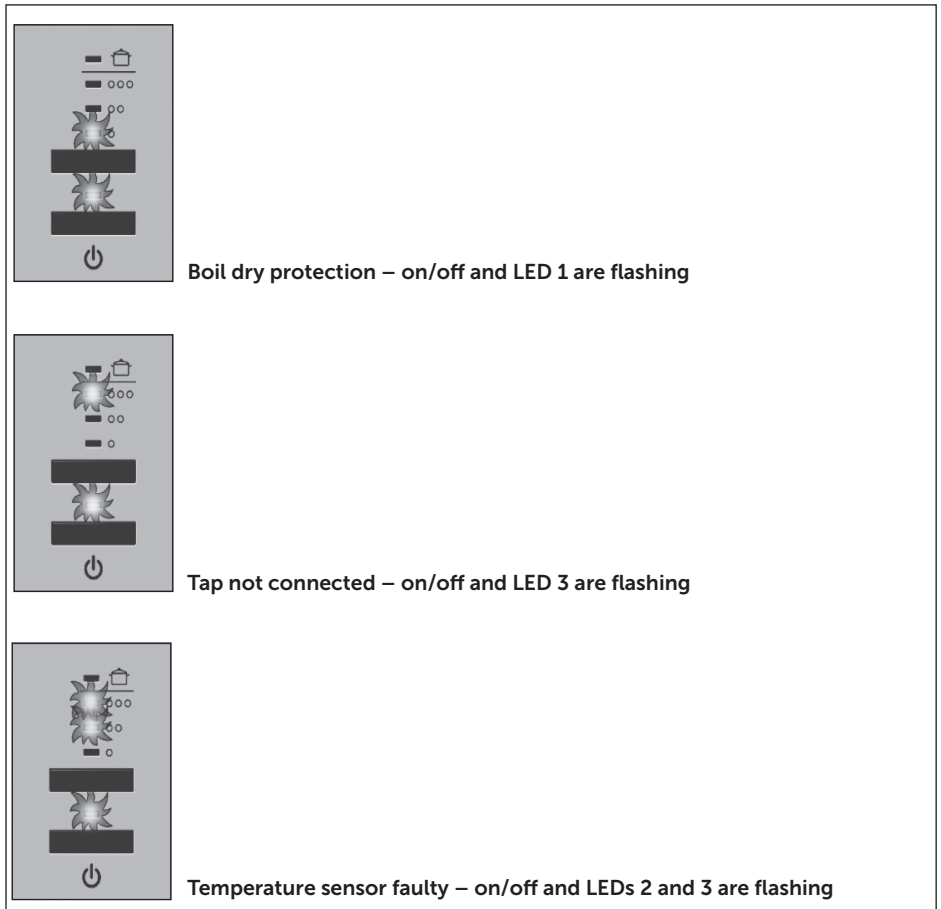


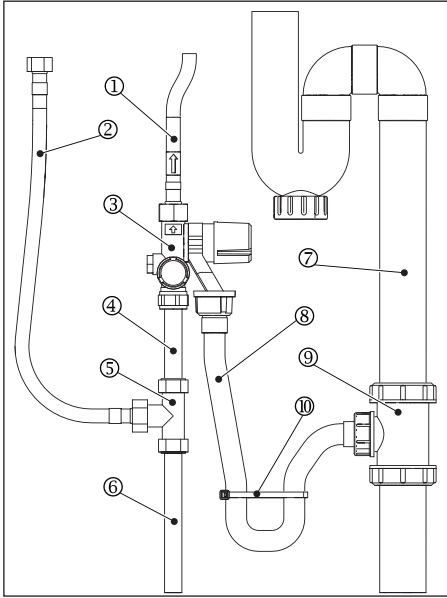
Fig. 6.2 Error messages

## 7 End of service life

The HotSpot Titanium boiling water tap contains no toxic or hazardous substances and can be handed in at your local waste processing company.

The packaging materials are also fully recyclable.

## 8 Installation



**Fig. 8.1** Water supply connection with inlet combination

- ① Connection to cold water supply for water heater (ingoing)
- ② Hose to cold mixer tap
- ③ 8 bar inlet combination
- ④ Copper pipe
- ⑤ T piece D15
- ⑥ Existing drinking-water pipe
- ⑦ Existing drain pipe
- ⑧ Expansion water hose
- ⑨ T piece for expansion water
- ⑩ Tie wrap for siphon of water expansion hose

**The following points must be taken into account during installation:**

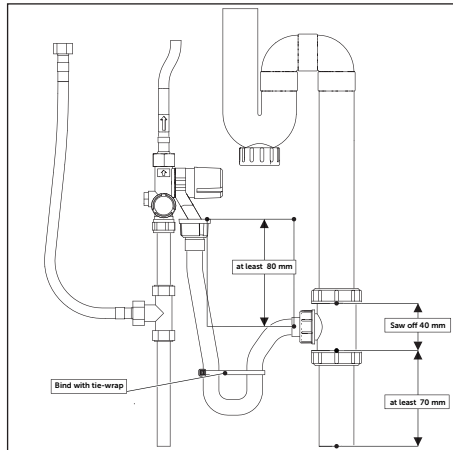
- The pressure relief device (inlet combination) must be able to drip water. Do not do anything to prevent this!
- The inlet combination must be operated regularly to remove impurities and scaling so that clogging is prevented.

- The inlet combination has a maximum relief pressure of 800 kPa (8 bar).
- The inlet combination must be installed in a frost-free environment with the spout pointing downwards.

**1.** Position the HotSpot Titanium boiling water tap according to the accompanying tap instructions. The maximum length of the connecting hose is 1 metre. Position the water heater under the boiling water tap such that the tap does not touch the water heater when you adjust the height of the boiling water tap (only applicable for Solo taps).

**2.** Turn off the mains stopcock.

**3.** Before using the (obligatory) inlet combination: Saw through the drain pipe at least 70 mm above the bottom of the kitchen cabinet. Saw through the drain pipe again 40 mm above the first saw cut. Position the supplied water-expansion T piece and screw the swivel nuts down tightly.



**Fig. 8.2** Dimension drawing for connecting to drain pipe

**4.** Make a connection to the cold water connection of the kitchen mixer tap by making a junction with the supplied T-piece. Extend it with the supplied straight copper part.

**5.** Install the inlet combination to the pipe-work in the correct direction of flow, making sure that there is enough distance between the T-pipe expansion water hose (see Fig 8.2). The direction of the flow can be identified by the arrow on the brass part.

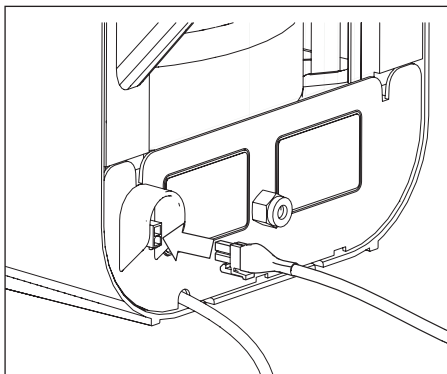
6. If a filter is to be used, it must be installed **before** the inlet combination is installed. So the inlet combination fits between the filter and the water heater (**see Fig. 8.4**).

7. Position the flexible black expansion water hose between the funnel of the inlet combination and the T-piece in the drain pipe. Make sure that the expansion water hose hangs loose. Make a syphon in the expansion water hose and attach it with a tie-wrap.

**PLEASE NOTE:** when the water heater is in use, water will drip from the inlet combination. **Do not do anything to prevent this!** The drain pipe must be in contact with the open air.

8. **Optional:** The warm water hose from the water heater (with red marking) can, in the case of a HotSpot Titanium 8-litre water heater, be connected to the hot water connection of the kitchen mixer tap. In such cases, the dummy plug for the red hose must be removed.

9. Connect the hose from the HotSpot Titanium boiling water tap to the connector at the back of the water heater (hook pointing downwards).



**Fig. 8.3** Connecting boiling water tap connector

10. Fit the water heater in the kitchen cabinet. Make sure that there are no kinks in the hoses or that they are not crushed.

**PLEASE NOTE:** The water heater must be installed vertically. The back of the housing may be positioned tightly against the back wall of the kitchen cabinet. The water heater requires no extra space at the sides either.

11. Open the water mains stopcock and the water heater will partly fill with water. Check the system for leakages.

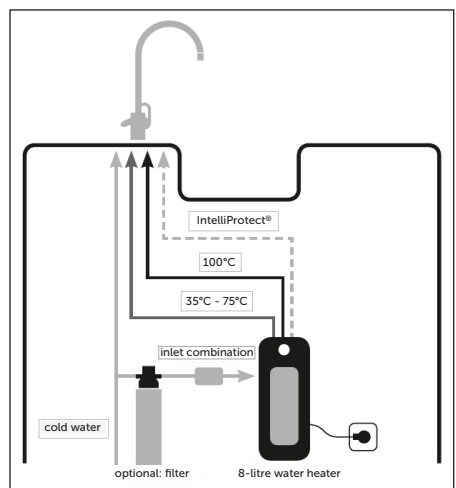
12. Insert the plug for the water heater in the earthed wall socket.

**Do not use an extension cord!**

13. Switch the water heater on by pressing the on/off button for 2 seconds. After warming up, the water heater is ready for use. It takes approximately 15 minutes in a 4-litre water heater and 21 minutes in an 8-litre water heater for the water to reach the right temperature. If the tap is used before the water has reached the right temperature, the indicator lamp on the HotSpot Titanium boiling water tap will start to flash rapidly.

14. Open the HotSpot Titanium boiling water tap by operating the round button (1x short, release, then immediately press in again and hold). Again, wait until this flow of water is constant and without air bubbles (system is completely bled).

15. Now you can set the required IntelliProtect® level and the pan-filling function.



**Fig. 8.4** HotSpot Titanium diagram

**Installed by:**


**Model plate:**

**Inventum Technologies B.V.**  
PO Box 275, 3990 GB Houten, The Netherlands  
Kaagschip 25, 3991 CS Houten, The Netherlands

Tel.: +31 (0)30 274 84 84  
Fax: +31 (0)30 274 84 85  
E-mail: [info@hotspot-titanium.com](mailto:info@hotspot-titanium.com)

**hotspot** titanium

[www.hotspot-titanium.com](http://www.hotspot-titanium.com)

Powered by  **inventum**  
The HotSpot Titanium was designed and developed by Inventum.  
A 100% Dutch company with over 100 years of dedication, knowledge and expertise.

09/2016 12845 rev-8