

MANUAL ANLEITUNG HANDLEIDING



hotspot titanium

**Boiling water tap
Kochend-Wasserhahn
Kookkraan**

www.hotspot-titanium.com

The HotSpot Titanium boiling water tap

In purchasing this HotSpot Titanium boiling water tap, you have become the owner of a safe and reliable high quality product. This boiling water tap delivers boiling water at a constant temperature from water stored in a HotSpot Titanium 4-litre or 8-litre water heater.

Declaration of Conformity

Inventum Technologies B.V. is an ISO 9001-certified company.

Inventum Technologies B.V. declares that the tap listed on the front side complies with: Low Voltage Directive 73/23/EEC EMC Directive 89/336/EEC

Harmonised standards:

EN 60335-1 EN 55014
 EN 60335-2-21 EN 61000-3-3
 EN 50082-1 EN 61000-4-5

Houten, 11 October 2016

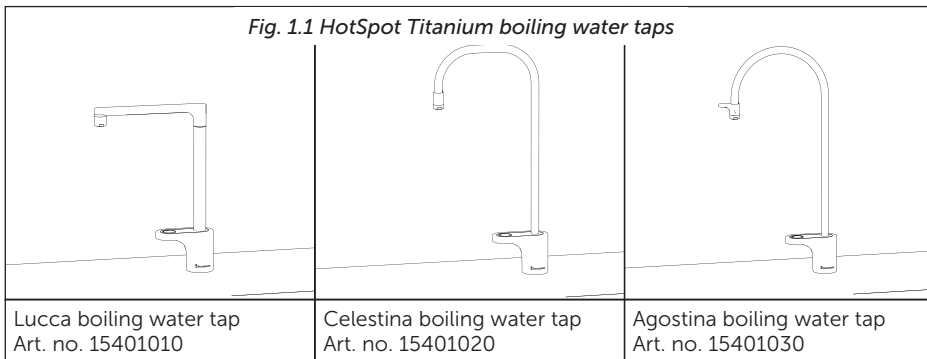


Table of contents

| USER MANUAL | |
|----------------------------------|----------|
| Declaration of Conformity | 2 |
| 1 How to use this manual | 3 |
| 1.1 Application | 3 |
| 1.2 Warranty | 3 |
| 1.3 Liability | 3 |
| 2 Description | 4 |
| 3 Scope of delivery | 4 |
| 3.1 Package contents of the tap | 4 |
| 4 Operation | 5 |
| 5 Maintenance | 6 |
| 5.1 Cleaning | 6 |
| 5.2 The tap | 6 |
| 6 Malfunction | 6 |
| 7 End of service life | 7 |

| INSTALLATION MANUAL | |
|--|----------|
| 8 Installation | 7 |
| steps 1 to 8 | 7 |
| User manual images | |
| Fig. 1.1 HotSpot Titanium boiling water taps | 2 |
| Fig. 2.1 The Agostina, Lucca and Celestina | 4 |
| Fig. 2.2 Suitable for both left and right use installation | 4 |
| Fig. 3.1 Package contents of the tap | 4 |
| Fig. 4.1 Indicator lamp | 5 |
| Fig. 5.1 Replacement/cleaning of the aerator | 6 |
| Fig. 5.2 Nut + aerator + rubber sealing ring | 6 |
| Fig. 8.1 Base of the tap | 7 |
| Fig. 8.2 Installing the hose on the boiling water tap | 7 |
| Fig. 8.3 Installing the securing clip | 7 |
| Fig. 8.4 Connecting the wire on to the connector of the water heater | 7 |

© 2016

No part of this manual may be reproduced and/or published by means of print, photocopy, microfilm or in any other way without prior permission of Inventum Technologies B.V. This also applies to the accompanying illustrations.

1 How to use this manual

This manual is intended as a reference document for the end user and the fitter. With this manual, the boiling water tap can be installed in a safe manner. Keep this manual in a safe place.

Inventum Technologies B.V. compiled this manual with the greatest care. However, no rights may be derived from it. With respect to ongoing product innovation, Inventum Technologies B.V. at all times reserves the right to change the specifications without prior notice.

1.1 Application

The boiling water tap must be connected to a HotSpot Titanium water heater and may only be used in combination with a HotSpot Titanium water heater. Any other use is not in accordance with the intended purpose. Install and use the tap exclusively when in perfect technical condition.

1.2 Warranty

This tap has been manufactured with the greatest care and Inventum Technologies B.V. guarantees repair of all material and/or structural defects free of charge.

Granting of warranty

The implementation of the warranty is primarily the responsibility of the fitter or supplier where the HotSpot Titanium boiling water tap was purchased. Therefore, please always consult your fitter or supplier first.

Warranty period

- 2-year* warranty on the parts without registration;
- 5-year warranty on materials after registering the product on the website (www.hotspot-titanium.com).

** Starting from the date on the invoice*

Warranty conditions

- Register your product for warranty coverage within 3 months of purchase.
- In the event of a warranty claim, please provide the model of the tap.
- The invoice together with the date of purchase must be produced.

The warranty only applies if:

- there are material and structural defects (to be assessed by the manufacturer);
- the tap has been installed, used and maintained in accordance with this installation manual;
- the tap has not undergone any structural changes or adjustments;
- the defect is not the result of excessively hard or corrosive drinking water, corrosive liquids, substances, vapours or gases and interior or exterior corrosion or scaling;
- the defect is not the result of the owner's own fault, neglect or improper use.

Warranty exclusion:

- Labour costs;
- Call-out charges;
- Shipping costs;
- Administration costs;
- Transport damage;
- Secondary damage such as fire damage, loss of profits, water damage or physical injury.
- In areas where the water hardness exceeds 12 °dH, Inventum Technologies B.V. recommends the use of a filter system with water softener. In areas with values above 14 °dH, Inventum Technologies B.V. stipulates the use of water softener with an ion exchanger as a warranty condition.

* dH = 'Deutsche Härte' (German expression of water hardness in degrees)

Service

Always refer to the local fitter or dealer if you have problems with the installation and/or operation of the tap. You can also re-order parts there.

Please note

Malfunctioning of one or more parts in no way justifies the replacement or return of the whole tap. All relevant parts are available at short notice.

1.3 Liability

Inventum Technologies B.V. or your fitter/supplier accepts no liability for damage or physical injury of any kind caused by:

- not following the instructions in this manual;
- not paying attention during the installation, use, maintenance or repair to the tap;
- use not compliant with the application;
- using parts not supplied by the manufacturer;
- consequential damage resulting from leakage.

2 Description

To match the design in your kitchen, Inventum supplies various models:

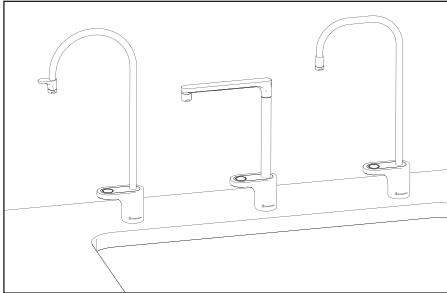


Fig. 2.1 The Agostina, Lucca and Celestina

HotSpot Titanium taps only work in combination with an original HotSpot Titanium water heater. See the user and installation manual of the water heater.

HotSpot Titanium taps can be installed easily and without adjustments both for left- and right-hand use (see fig. 2.2):

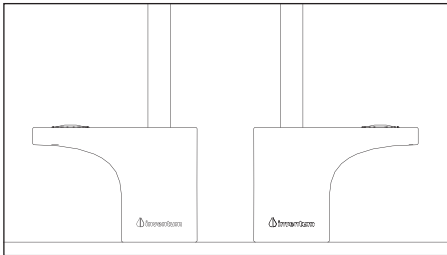


Fig. 2.2 Suitable for both left and right use installation.

When installing, take into account that the best option is to install the control button on the left when right-handed people will be using the tap. This ensures that you have the most control over, for example, a filled tea cup that you can then hold in your right hand when filling.

Also take into account the position of the boiling water tap with regard to your kitchen mixer tap. If the spout of the boiling water tap is just above the operating mechanism of the mixer tap, this may lead to dangerous situations. The operation and use of the different taps are the same, only the design of the spout is different.

3 Scope of delivery

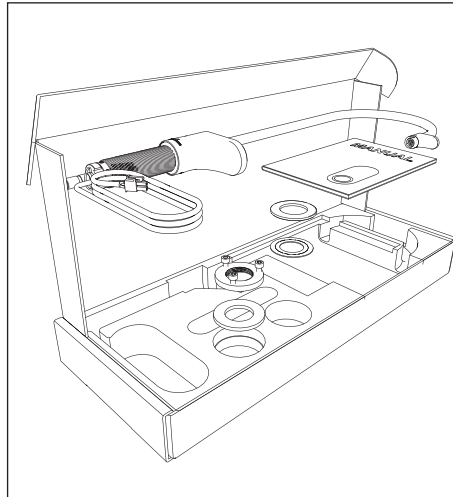


Fig. 3.1 Package contents of the tap

3.1 Package contents of the tap (see fig. 3.1).

In addition to your HotSpot Titanium water heater, the relevant boiling water tap will be contained in a separate package. This will include the following:

- 1) A HotSpot Titanium boiling water tap (the type may deviate from the illustration)
- 2) A washer, chrome
- 3) A combined rubber base gasket
- 4) A coupling washer
- 5) A nut with three hexagon socket screws
- 6) An installation instruction for the tap

To prevent dangerous situations, both the HotSpot Titanium water heater and HotSpot Titanium boiling water tap have to be installed by a registered professional in accordance with the supplied installation instructions.

** The installation instructions can be found at the back of this booklet (Chapter 8).*

4 Operation

The unique HotSpot Titanium boiling water tap uses an electronic control button to let water be dispensed from the tap. Using a completely safe low-voltage, the IntelliProtect® system guards over the safety of you and the members of your household. The tap body and spout will always have a pleasant low temperature, even when dispensing water for a longer period.



This appliance is not intended for use by persons (including children) with physical, mental and/or visual limitations, or lack of knowledge and experience, unless supervised by a suitably qualified person.



Please note that this appliance is not a toy! Parents and/or caregivers should prevent children from playing with it.

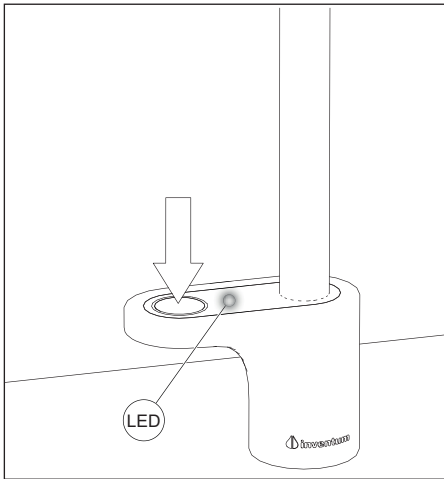


Fig. 4.1 Indicator lamp

In addition to the electronic control button, there is an indicator lamp (LED) (see fig. 4.1). When the electronic control button is operated, this lamp will light up continuously. After a delay of 0.5 seconds, the tap(*) will open and the indicator lamp will start to flash.

If the pan-filling option has been selected, the indicator lamp will be lit continuously after 10 seconds to indicate that the water will start to flow when the button is released. In this case, the release of water will stop immediately when the push button is operated again.

() IntelliProtect® level 1, for the setting of the protection see the water heater manual.*

HotSpot Titanium taps can be adjusted in height up to 120 mm and can be rotated 360°. The rotating movement is not limited, allowing the HotSpot Titanium tap to be optimally adjusted for both left- and right-handed people. A (maintenance-free) click system keeps the tap spout securely fixed in the correct position.

- Avoid subjecting the tap spout to excessive force or loading.
- In connection with scalding hazard, it is not recommended to adjust the tap spout when dispensing water.
- It is recommended to keep the tap spout close above the object you are filling; this limits cooling of the water, splashing and the generation of steam.



Do not use plastic (disposable) cups to collect the boiling water. These cups are often not resistant to high temperatures!



If you fill a cup, glass or pan with the HotSpot Titanium, it will quickly become very hot! Please take this into account and use oven mitts or oven cloths as protection.



You must always be careful with the boiling water that flows from the tap! Scalding hazard when in direct contact with skin!



Cups with concave bottoms should be placed carefully under the flow in order to prevent the boiling water from flowing over the rim.

5 Maintenance

Have your HotSpot Titanium descaled every year if you live in an area with hard water (higher than 12 °dH).

5.1 Cleaning

Both the water heater housing and the tap body can easily be cleaned with a soft cloth. Do not use aggressive or abrasive detergents.

5.2 The tap

The height of the HotSpot Titanium boiling water tap can be adjusted. This adjustment does not need to be maintained (lubrication). Depending on the use of the HotSpot Titanium and the hardness of the water, limescale can build up in the spout of the tap. If the water delivery is less than 1.2 litres per minute, the spout must be cleaned or the plastic aerator must be replaced (see fig.5.1). These aerators can be obtained from your fitter. They are easy to replace: Carefully loosen the nut at the bottom of the spout (use a correctly fitting 14 mm (Agostina and Celestina) or 16 mm (Lucca) spanner around the two flat sides; this minimises the likelihood of damaging the tap).

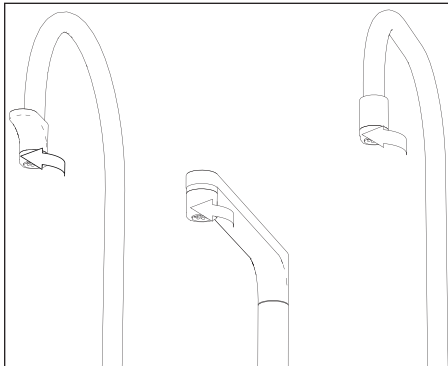


Fig. 5.1 Replacement/cleaning of the aerator



Around the aerator you will see a rubber ring. If it does not come off with the aerator, this ring must be carefully removed from the tap spout using a non-sharp object (see fig. 5.2).

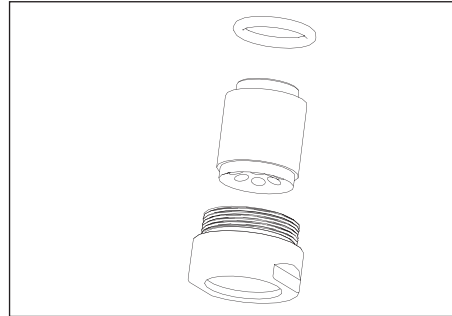


Fig. 5.2 Nut + aerator + rubber sealing ring

Check that the rubber sealing ring is not damaged* (see fig 5.2). Replace* or clean the plastic aerator in accordance with the instructions using a descaler. Install it all; do not tighten the nut too much because the thread can be damaged.

* Damaged O-rings must be replaced. You can order a spare set (consisting of an aerator and an O-ring) through your fitter.

6 Malfunction

The HotSpot Titanium boiling water tap is a Dutch high quality product developed on the basis of many years of experience, and it is made of first-class materials. In the unlikely event of a malfunction, you can rectify it by using the table.* If the action described does not have the required effect, pull the plug out of the wall socket and notify your fitter. First, note the product name, model number and serial number of your HotSpot Titanium water heater. You can find this information on the back of the appliance.

* See the user and installation manuals of the water heater.



Your HotSpot Titanium boiling water tap may only be repaired by a registered professional. Do not repair it yourself, as this may lead to dangerous situations! Repairs by non-qualified persons render your warranty invalid!



If the power cable is damaged, it may only be replaced by our Inventum technical repair service in order to prevent dangerous situations.

7 End of service life

The HotSpot Titanium boiling water tap contains no toxic or hazardous substances and can be handed in at your local waste processing company.

The packaging materials are also fully recyclable.

8 Installation

The following needs to be taken into account during installation:

- Install the water heater in accordance with the installation manual that was supplied with the water heater.
1. Drill a hole with a \O of 30 to a maximum \O of 36 mm at the required place. Please note: 150 mm, the range of the tap; the spout must be above the sink. The countertop can have a thickness of 1 to 70 mm. 305 mm must be kept unobstructed under the countertop in order to be able to adjust the height of the tap.
 2. Position the tap on the countertop using the washer. Pay attention to the rubber gasket between the countertop and the chrome washer. The supplied gasket must be disassembled carefully and placed in-between the parts.

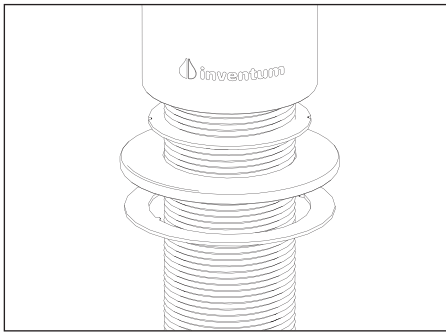


Fig. 8.1 Base of the tap

3. Slide the steel ring over the base of the tap under the countertop.
4. Tighten the nut on the base of the tap.
5. Tighten the hexagonal socket screws around the tap tightly.
6. Slide the coupling on the red hose that exits the water heater over the boiling water tap connection until it can go no further (see Fig. 8.2).

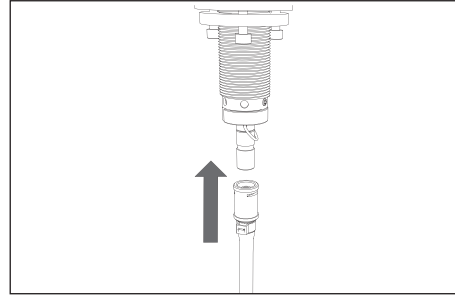


Fig. 8.2 Installing the hose on the boiling water tap

7. Secure the coupling using the securing clip supplied with the water heater (see fig. 8.3). **PLEASE NOTE:** the clip must click around the coupling's house nicely. Check whether the connection has been made correctly by gently pulling on the hose.

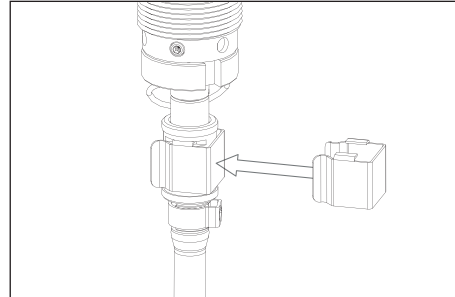


Fig. 8.3 Installing the securing clip

8. Connect the wire from the HotSpot Titanium boiling water tap to the connector at the back of the water heater (hook pointing downwards; see Fig. 8.4).

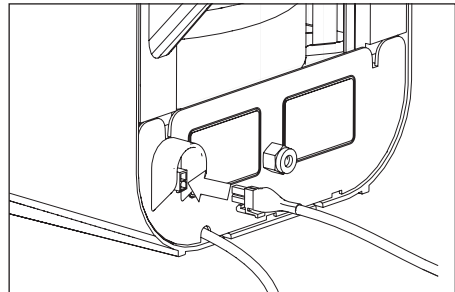


Fig. 8.4 Connecting the wire on to the connector of the water heater

Further details are given in the installation and user manuals of the HotSpot Titanium water heaters.

Der HotSpot Titanium-Kochend-Wasserhahn

Mit dem Kauf des HotSpot Titanium-Kochend-Wasserhahns von HotSpot haben Sie ein sicheres und zuverlässiges Qualitätsprodukt erworben. Dieser Kochend-Wasserhahn kann, in Kombination mit einem HotSpot Titanium 4- oder 8-Liter-Boiler, jederzeit kochend heißes Wasser mit einer konstanten Temperatur liefern.

Konformitätserklärung

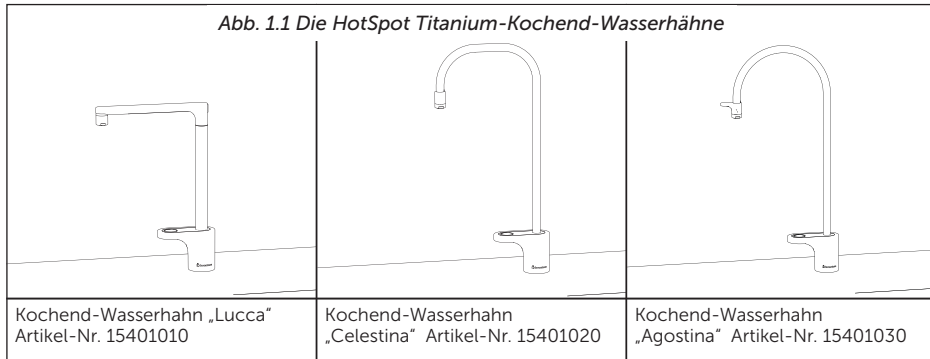
Inventum Technologies B.V. ist ein nach ISO 9001 zertifiziertes Unternehmen.

Inventum Technologies B.V. erklärt, dass der auf der Vorderseite aufgeführte Wasserhahn mit den folgenden Richtlinien übereinstimmt:
Niederspannungsrichtlinie 73/23/EWG
EMV-Richtlinie 89/336/EWG

Harmonisierte Normen:

EN 60335-1 EN 55014
EN 60335-2-21 EN 61000-3-3
EN 50082-1 EN 61000-4-5

Houten, 11. Oktober 2016



Inhalt

BENUTZERANLEITUNG

| | |
|----------------------------------|----------|
| Konformitätserklärung | 2 |
| 1 Gebrauch der Anleitung | 3 |
| 1.1 Einsatzbereich | 3 |
| 1.2 Garantie | 3 |
| 1.3 Haftung | 3 |
| 2 Beschreibung | 4 |
| 3 Lieferumfang | 4 |
| 3.1 Verpackungsinhalt Wasserhahn | 4 |
| 4 Bedienung | 5 |
| 5 Wartung | 6 |
| 5.1 Reinigen | 6 |
| 5.2 Der Wasserhahn | 6 |
| 6 Störungen | 6 |
| 7 Ende der Lebensdauer | 7 |

INSTALLATIONSANLEITUNG

| | |
|--|----------|
| 8 Installation | 7 |
| Schritte 1 bis 8 | 7 |
| Abbildungen in der Anleitung | |
| Abb. 1.1 HotSpot Titanium-Kochend-Wasserhahn | 2 |
| Abb. 2.1 „Agostina“, „Lucca“ und „Celestina“ | 4 |
| Abb. 2.2 Montage links oder rechts | 4 |
| Abb. 3.1 Verpackungsinhalt Wasserhahn | 4 |
| Abb. 4.1 Anzeigeleuchte | 5 |
| Abb. 5.1 Austausch/Reinigung des Strahlreglers | 6 |
| Abb. 5.2 Mutter + Strahlregler + Gummidichtung | 6 |
| Abb. 8.1 Fuß des Wasserhahns | 7 |
| Abb. 8.2 Schlauch am Kochend-Wasserhahn anbringen | 7 |
| Abb. 8.3 Verriegelungsschloß anbringen | 7 |
| Abb. 8.4 Kabel am Verbindungsstecker des Boilers anschließen | 7 |

© 2016

Ohne vorherige Zustimmung von Inventum Technologies B.V. darf diese Anleitung weder ganz noch in Auszügen durch Druck, Fotokopie, Mikrofilm oder auf andere Art vervielfältigt und/oder veröffentlicht werden. Dies gilt auch für die zugehörigen Abbildungen.

1 Gebrauch der Anleitung

Diese Anleitung dient dem Endbenutzer und dem Installateur zum Nachlesen. Mithilfe dieser Anleitung gelingt es, den Kochend-Wasserhahn auf sichere Weise zu installieren. Bewahren Sie diese Anleitung sorgfältig auf.

Diese Anleitung wurde von Inventum Technologies B.V. mit größter Sorgfalt erstellt. Dennoch können keine Rechte daraus abgeleitet werden. Inventum Technologies B.V. behält sich angesichts fortwährender Produktinnovationen jederzeit das Recht vor, ohne vorherige Ankündigung Spezifikationen zu ändern.

1.1 Einsatzbereich

Der Kochend-Wasserhahn muss an einen HotSpot Titanium-Boiler angeschlossen und darf nur in Kombination mit diesem Boiler verwendet werden. Jeder andere oder weitergehende Gebrauch gilt als zweckfremd. Installieren und verwenden Sie den Wasserhahn, wenn dieser im technisch perfekten Zustand ist.

1.2 Garantie

Dieser Wasserhahn wurde mit großer Sorgfalt hergestellt; Inventum Technologies B.V. garantiert die kostenlose Behebung aller Material- und/oder Konstruktionsfehler.

Gewährleistung

Die Erfüllung der Garantie erfolgt in erster Linie durch den Installateur oder Lieferanten, bei dem der HotSpot Titanium-Kochend-Wasserhahn gekauft wurde. Wenden Sie sich daher bitte erst immer an Ihren Installateur oder Lieferanten.

Garantiefrist

- 2 Jahre* Garantie auf die Teile ohne Registrierung;
- Nach Registrierung auf der Website gilt eine Garantiefrist von 5 Jahren auf das Material.

* gerechnet ab dem Datum auf dem Kaufbeleg

Garantiebedingungen

- Registrieren Sie das Produkt innerhalb von 3 Monaten nach dem Kauf.
- Bei Inanspruchnahme der Garantie muss das Modell des Wasserhahns angegeben werden.
- Der Kaufbeleg mit Angabe des Kaufdatums ist vorzulegen.

Die Garantie gilt nur, wenn:

- Material- oder Konstruktionsfehler vorliegen (nach Beurteilung durch den Hersteller);
- der Wasserhahn gemäß dieser Installationsanleitung installiert, verwendet und gewartet wurde;
- an dem Wasserhahn keine konstruktiven Änderungen oder Anpassungen vorgenommen wurden;
- der Defekt nicht durch zu hartes oder aggressives Trinkwasser, aggressive Flüssigkeiten oder Substanzen, Dämpfe oder Gase oder innere oder äußere Korrosion oder Kalkablagerungen entstanden ist;
- der Defekt nicht durch eigenes Verschulden, Fahrlässigkeit oder unsachgemäßen Gebrauch entstanden ist.

Garantieausschluss

- Arbeitslohn;
- Anfahrtskosten;
- Versandkosten;
- Verwaltungskosten;
- Transportschaden;
- Sekundärschaden wie Brandschaden, Betriebsschaden, Wasserschaden oder Personenschaden.
- In Gebieten mit einer Wasserhärte über 12 °dH empfiehlt Inventum Technologies B.V. die Verwendung eines Filtersystems mit Wasserenthärter. In Gebieten mit Werten über 14 °dH schreibt Inventum Technologies B.V. die Verwendung eines Wasserenthärters mit Ionentauscher als Garantievoraussetzung vor.

* dH = Deutsche Härte

Service

Wenden Sie sich immer an den Installateur vor Ort oder den Fachhändler, wenn Sie Probleme mit der Installation und/oder Bedienung des Wasserhahns haben. Diese Ansprechpartner können Ihnen auch bei der Nachbestellung von Ersatzteilen behilflich sein.

BITTE BEACHTEN SIE:

Der Defekt eines oder mehrerer Teile berechtigt in keinem Fall zum Ersatz oder zur Rücksendung des gesamten Wasserhahns. Alle wichtigen Ersatzteile sind kurzfristig lieferbar.

1.3 Haftung

Inventum Technologies B.V. oder Ihr Installateur/Lieferant übernehmen keinerlei Haftung für Schäden oder Personenschäden jeglicher Art, die zurückzuführen sind auf:

- Nichteinhaltung der Anweisungen in dieser Anleitung;
- Unvorsichtigkeit bei der Installation, Verwendung, Wartung oder Reparatur des Wasserhahns;
- Zweckfremde Verwendung;
- Verwendung von Teilen, die nicht durch den Hersteller geliefert wurden;
- Folgeschäden durch Leckage.

2 Beschreibung

Damit sich der Wasserhahn gut in das bestehende Design Ihrer Küche einfügt, bietet Inventum eine Anzahl verschiedener Modelle:

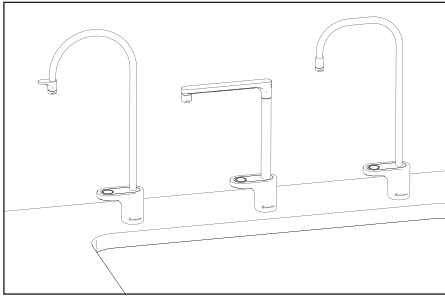


Abb. 2.1 „Agostina“, „Lucca“ und „Celestina“

Die HotSpot Titanium-Wasserhähne können ausschließlich in Kombination mit einem originalen HotSpot Titanium-Boiler verwendet werden. Siehe dazu die Benutzer- und Installationsanleitung für den Boiler.

Die HotSpot Titanium-Wasserhähne können einfach und ohne Anpassung sowohl links als auch rechts installiert werden (s. Abb. 2.2):

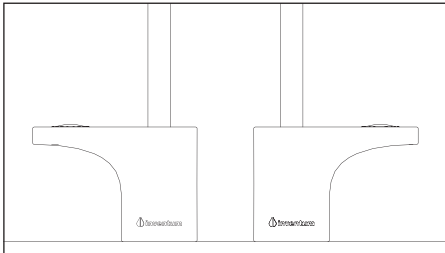


Abb. 2.2 Montage links oder rechts

Beachten Sie bei der Installation, dass für den Fall des Gebrauchs durch einen Rechtshänder der Druckknopf vorzugsweise links positioniert werden sollte. So behalten Sie am besten die Kontrolle, beispielsweise wenn Sie ein Teeglas in Ihrer rechten Hand halten und dieses befüllen möchten.

Beachten Sie bitte auch die Position des Kochend-Wasserhahns in Bezug zu Ihrer Mischbatterie. Wenn der Auslauf des Kochend-Wasserhahns knapp über der Bedienung des Kombi-Wasserhahns hinausragt, kann dies für gefährliche Situationen sorgen. Die Bedienung und der Gebrauch der verschiedenen Wasserhähne unterscheiden sich nicht, nur die Form des Auslaufs weicht ab.

3 Lieferumfang

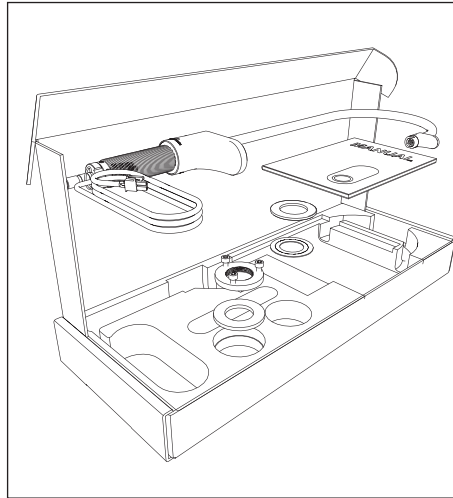


Abb. 3.1 Verpackungsinhalt Wasserhahn

3.1 Verpackungsinhalt Wasserhahn (s. Abb. 3.1).

Neben Ihrem HotSpot Titanium-Boiler erhalten Sie den zugehörigen Kochend-Wasserhahn in separater Verpackung. Darin sind enthalten:

- 1) Ein HotSpot Titanium-Kochend-Wasserhahn (Typ kann von der Abbildung abweichen)
- 2) Eine verchromte Unterlegscheibe
- 3) Eine kombinierte Gummi-Fußdichtung
- 4) Ein Druckring
- 5) Eine Mutter mit drei Innensechskantschrauben
- 6) Eine Installationsanleitung für den Wasserhahn

Um das Entstehen gefährlicher Situationen auszuschließen, dürfen sowohl der HotSpot Titanium-Boiler als auch der HotSpot Titanium-Kochend-Wasserhahn nur gemäß der beigefügten Installationsanleitung* durch qualifiziertes Fachpersonal installiert werden.

* Die Installationsvorschriften befinden sich am Ende dieser Anleitung (Kapitel 8).

4 Bedienung

Bei dem einzigartigen HotSpot Titanium-Kochend-Wasserhahn fließt das Wasser durch Drücken einer elektronischen Bedientaste aus dem Wasserhahn. Dabei sorgt das IntelliProtect®-System mit ungefährlicher Niederspannung für Sicherheit in Ihrem Haushalt. Die Temperatur des Wasserhahngehäuses und des Auslaufs bleibt angenehm niedrig, auch wenn Sie das Wasser länger laufen lassen.



Dieses Gerät ist nicht für den Gebrauch durch Personen (einschließlich Kindern) mit eingeschränkten physischen, geistigen und/oder visuellen Fähigkeiten sowie mangelnder Kenntnis und Erfahrung bestimmt, es sei denn, sie werden von einer dazu geeigneten Person beaufsichtigt.



Bitte beachten Sie: Dieses Gerät ist kein Spielzeug! Eltern und/oder Betreuer müssen verhindern, dass Kinder damit spielen.

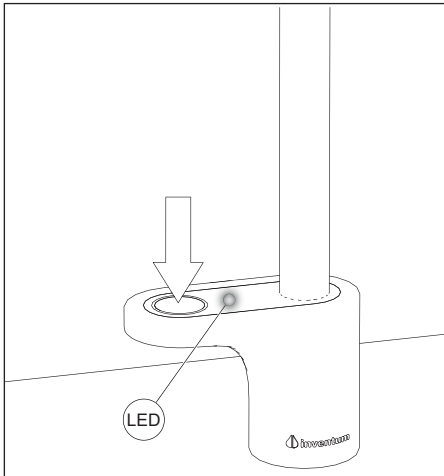


Abb. 4.1 Anzeigeleuchte

Neben der elektronischen Bedientaste befindet sich eine Anzeigeleuchte (LED) (siehe Abb. 4.1). Sobald die elektronische Bedientaste gedrückt wird, leuchtet diese Anzeige kontinuierlich. Nach einer Verzögerung von einer halben Sekunde öffnet sich der Wasserhahn(*) und die Anzeigeleuchte beginnt zu blinken.

Wenn die Option „Topffüllung“ gewählt wurde, wird die Anzeigeleuchte nach zehn Sekunden wieder kontinuierlich leuchten, um anzuzeigen, dass das Wasser weiterläuft, wenn die Taste losgelassen wird. Die Wasserausgabe stoppt in diesem Fall sofort, wenn Sie die Taste erneut drücken.

() IntelliProtect® Stufe 1, Informationen zur Einstellung der Sicherheitsstufe finden Sie in der Anleitung für den Boiler.*

Die HotSpot Titanium-Wasserhähne sind um 120 mm in der Höhe verstellbar und 360° drehbar. Die Drehbewegung ist nicht begrenzt, sodass der HotSpot Titanium-Wasserhahn sowohl für Links- als auch für Rechtshänder optimal eingestellt werden kann. Ein wartungsfreies Klicksystem sorgt dafür, dass der Hahnauslauf fest in der richtigen Position bleibt.

- Vermeiden Sie die Einwirkung großer Kräfte und Belastung des Wasserhahnauslaufs.
- Wegen Verbrennungsgefahr wird empfohlen, den Wasserhahnauslauf nicht zu verstellen, während das Wasser läuft.
- Halten Sie das zu befüllende Gefäß dicht unter den Wasserauslauf, um das Abkühlen des Wassers, Spritzer und Dampfbildung zu vermeiden.



Befüllen Sie keine (Einweg-)Becher aus Plastik mit dem kochenden Wasser. Diese Becher sind oft nicht gegen die hohen Temperaturen beständig!



Wenn Sie eine Tasse, ein Glas oder einen Topf mit Wasser aus dem HotSpot Titanium füllen, wird dieser Behälter in kurzer Zeit sehr heiß! Denken Sie daran und verwenden Sie daher einen Schutz wie beispielsweise Ofenhandschuhe oder Topflappen.



Gehen Sie immer sehr vorsichtig mit dem kochenden Wasser aus dem Wasserhahn um! Bei direktem Hautkontakt besteht Verbrennungsgefahr!



Tassen mit hohlem Boden müssen vorsichtig unter den Wasserstrahl gehalten werden, damit das kochende Wasser nicht über den Rand läuft.

5 Wartung

Sorgen Sie dafür, dass Ihr HotSpot Titanium jährlich entkalkt wird, wenn Sie in einem Gebiet mit hartem Wasser wohnen (höher als 12 °dH).

5.1 Reinigung

Sowohl das Gehäuse des Boilers als auch der Wasserhahn lassen sich einfach mit einem weichen Tuch reinigen. Verwenden Sie keine aggressiven oder scheuernden Reinigungsmittel.

5.2 Der Wasserhahn

Der HotSpot Titanium-Kochend-Wasserhahn ist höhenverstellbar. Dieser Verstellmechanismus bedarf keiner Wartung (Schmieren). Abhängig vom Gebrauch des HotSpot Titanium und der Wasserhärte kann sich im Auslauf des Wasserhahns Kalk ablagern. Wenn die Wasserausgabe weniger als 1,2 Liter pro Minute beträgt, muss der Auslauf gereinigt oder der Kunststoff-Strahlregler ausgetauscht werden (s. *Abb. 5.1*). Einen neuen Strahlregler können Sie über Ihren Installateur beziehen. Der Austausch ist einfach: Drehen Sie vorsichtig die Mutter am Auslauf los. Verwenden Sie hierzu einen gut passenden Schraubenschlüssel 14 mm (für „Agostina“ und „Celestina“) oder 16 mm (für „Lucca“); setzen Sie dabei das Werkzeug an den beiden flachen Seitenkanten an, um Beschädigungen zu vermeiden.

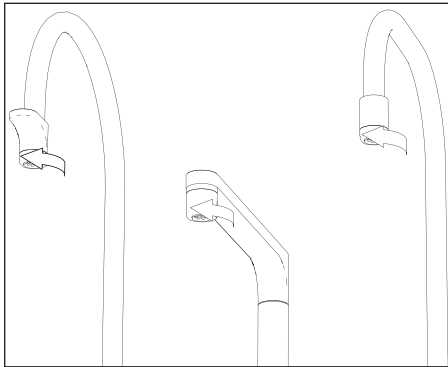


Abb. 5.1 Austausch/Reinigung des Strahlreglers



Der Strahlregler ist von einem Gummiring umschlossen. Wenn sich dieser Ring nicht zusammen mit dem Strahlregler löst, müssen Sie ihn vorsichtig mit einem stumpfen Gegenstand aus dem Kranauslauf entfernen (s. *Abb. 5.2*).

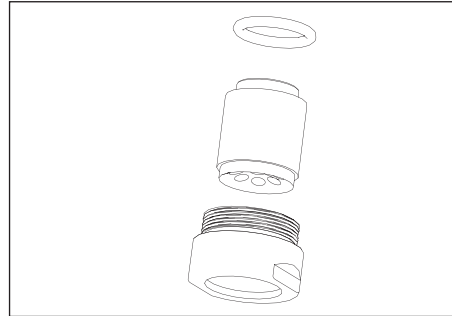


Abb. 5.2 Mutter + Strahlregler + Gummidichtungsring

Überprüfen Sie, ob der Gummidichtungsring keine Beschädigungen aufweist* (s. *Abb. 5.2*).

Tauschen Sie den Kunststoff-Strahlregler aus oder reinigen Sie ihn gemäß Gebrauchsanleitung mithilfe eines Entkalkers. Montieren Sie alles wieder; drehen Sie die Mutter dabei nicht zu sehr fest, da sonst das Gewinde beschädigt werden kann.

* Beschädigte O-Ringe müssen ausgetauscht werden. Über Ihren Installateur können Sie ein Austauschset (bestehend aus einem Strahlregler und einem O-Ring) bestellen.

6 Störungen

Der HotSpot Titanium-Kochend-Wasserhahn ist ein Qualitätsprodukt aus den Niederlanden, das auf der Grundlage jahrelanger Erfahrung entwickelt wurde und aus erstklassigen Materialien gefertigt wird. Falls unerwartet doch eine Störung auftritt, befolgen Sie zunächst die Handlungsanweisungen in der Tabelle.* Wenn sich die Störung auf diese Weise nicht beheben lässt, ziehen Sie bitte den Stecker aus der Steckdose und benachrichtigen Sie Ihren Installateur. Notieren Sie sich vorab den Produktnamen, die Typennummer und die Seriennummer Ihres HotSpot Titanium-Boilers. Diese Informationen finden Sie auf der Rückseite des Geräts.

* In der Benutzer- und Installationsanleitung für den Boiler.



Reparaturen an Ihres HotSpot Titanium-Kochend-Wasserhahns dürfen nur von einer qualifizierten Fachkraft vorgenommen werden. Eigene Reparaturversuche können zu gefährlichen Situationen führen! Bei Reparatur durch Unbefugte verfällt der Garantianspruch!



Ein beschädigtes Netzkabel darf ausschließlich durch den technischen Störungsdienst von Inventum ausgetauscht werden, um gefährliche Situationen zu vermeiden.

7 Ende der Lebensdauer

Der HotSpot Titanium-Kochend-Wasserhahn enthält keine giftigen oder schädlichen Stoffe und kann über Ihren Abfallentsorger vor Ort entsorgt werden.

Auch die Verpackungsmaterialien können vollständig recycelt werden.

8 Installation

Beachten Sie bei der Installation bitte Folgendes:

- Installieren Sie den Boiler gemäß der Installationsanleitung, die mit dem Boiler geliefert wurde.
1. Bohren Sie ein Loch von $\text{Ø } 30$ bis maximal $\text{Ø } 36$ mm Größe an der ausgewählten Montagestelle. Beachten Sie den Drehbereich des Wasserhahns (150 mm); der Auslauf muss über dem Ausguss liegen. Die Arbeitsplatte kann 1 bis 70 mm dick sein. Unter der Arbeitsplatte muss wegen der Höhenverstellbarkeit des Wasserhahns ein Abstand von 305 mm freigehalten werden.
 2. Setzen Sie den Wasserhahn mit der Unterlegscheibe auf die Arbeitsplatte. Achten Sie auf die Gummidichtung zwischen dem Arbeitsblatt und der verchromten Unterlegscheibe. Die mitgelieferte Dichtung muss vorsichtig auseinandergenommen und zwischen die Teile gelegt werden.

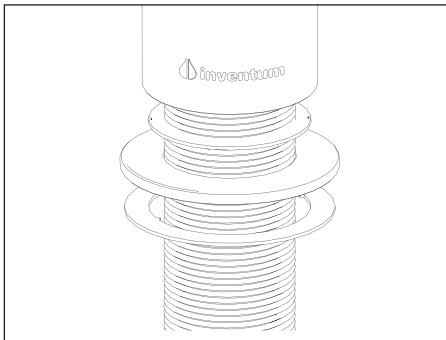


Abb. 8.1 Fuß des Wasserhahns

3. Schieben Sie den Stahling über den Fuß des Wasserhahns unter der Arbeitsplatte.
4. Schrauben Sie die Mutter auf den Fuß.
5. Ziehen Sie die Innensechskantschrauben an, um den Wasserhahn gut zu befestigen.
6. Schieben Sie den Verbinder an dem roten Schlauch, der aus dem Boiler austritt, bis zum Anschlag über den Kochend-Wasserhahn (siehe Abb. 8.2).

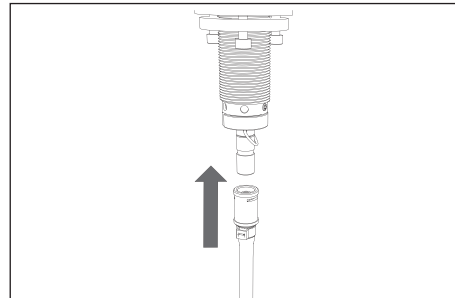


Abb. 8.2 Schlauch am Kochend-Wasserhahn anbringen

7. Sichern Sie die Verbindung mit dem zum Boiler mitgelieferten metallenen Verriegelungsclip (s. Abb. 8.3). **ACHTUNG:** Der Clip muss genau um das Verbindungsgehäuse herum einrasten. Überprüfen Sie, ob die Verbindung gelungen ist, indem Sie vorsichtig am Schlauch ziehen;

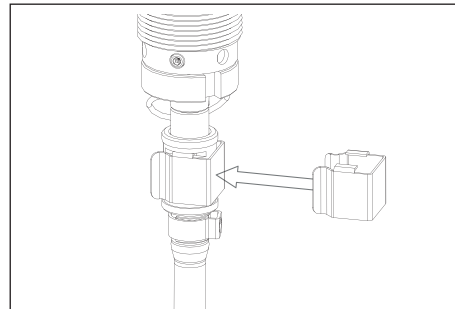


Abb. 8.3 Verriegelungsclip anbringen

8. Schließen Sie das Kabel, das aus dem HotSpot Titanium-Kochend-Wasserhahn kommt, an den Verbindungsstecker auf der Rückseite des Boilers an (Haken nach unten) (siehe Abb. 8.4).

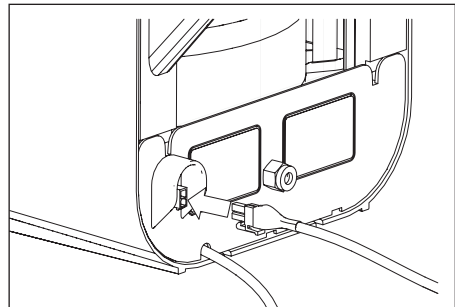


Abb. 8.4 Anschluss des Kabels an den Verbindungsstecker des Boilers

Weitere Einzelheiten können Sie in der Installations- und Benutzeranleitung des HotSpot Titanium-Boilers nachlesen.

De HotSpot Titanium kookkraan

Met de aanschaf van de HotSpot Titanium kookkraan verschaft u zich een veilig en vertrouwd kwaliteitsproduct. Deze kookkraan levert, in combinatie met een HotSpot Titanium 4- of 8 liter boiler, uit voorraad kokendwater van een constante temperatuur.

Conformiteitsverklaring

Inventum Technologies B.V. is een ISO 9001-gecertificeerde onderneming.

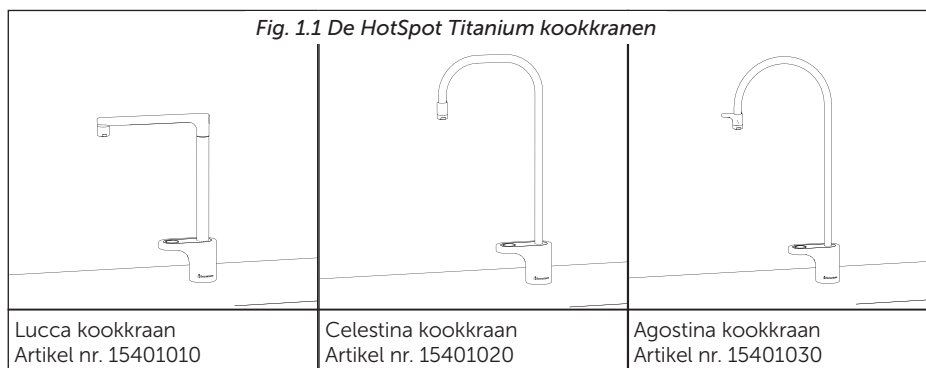
Inventum Technologies B.V. verklaart dat de aan de voorzijde vermelde kraan in overeenstemming is met:

Laagspanningsrichtlijn 73/23/EEG
EMC-richtlijn 89/336/EEG

Geharmoniseerde normen:

EN 60335-1 EN 55014
EN 60335-2-21 EN 61000-3-3
EN 50082-1 EN 61000-4-5

Houten, 11 oktober 2016



Inhoudsopgave

GEBUIKERSHANDLEIDING

| | | |
|----------|-----------------------------------|----------|
| | Conformiteitsverklaring | 2 |
| 1 | Gebruik van de handleiding | 3 |
| 1.1 | Toepassing | 3 |
| 1.2 | Garantie | 3 |
| 1.3 | Aansprakelijkheid | 3 |
| 2 | Beschrijving | 4 |
| 3 | Leveringsomvang | 4 |
| 3.1 | Inhoud verpakking kraan | 4 |
| 4 | Bediening | 5 |
| 5 | Onderhoud | 6 |
| 5.1 | Schoonmaken | 6 |
| 5.2 | De kraan | 6 |
| 6 | Storing | 6 |
| 7 | Einde levensduur | 7 |

INSTALLATIEHANDLEIDING

| | | |
|---|---|----------|
| 8 | Installatie | 7 |
| | stap 1 t/m 8 | 7 |
| Afbeeldingen gebruikershandleiding | | |
| Fig. 1.1 | HotSpot Titanium kookkranen | 2 |
| Fig. 2.1 | De Agostina, de Lucca en de Celestina | 4 |
| Fig. 2.2 | Geschikt voor zowel links- als rechtshandige plaatsing. | 4 |
| Fig. 3.1 | Inhoud verpakking kraan | 4 |
| Fig. 4.1 | Indicatielampje | 5 |
| Fig. 5.1 | Vervangen/reinigen straalbreker | 6 |
| Fig. 5.2 | Moer + straalbreker + rubberen afdichtring | 6 |
| Fig. 8.1 | Kraanvoet | 7 |
| Fig. 8.2 | Aanbrengen slang op kookkraan | 7 |
| Fig. 8.3 | Aanbrengen borgclip | 7 |
| Fig. 8.4 | Aansluiten draad op connector boiler | 7 |

© 2016

Niets uit deze handleiding mag worden veelevoudig en/of openbaar worden gemaakt door middel van druk, fotokopie, microfilm of op welke andere wijze dan ook, zonder voorafgaande toestemming van Inventum Technologies B.V. Dit geldt ook voor de bijbehorende illustraties.

1 Gebruik van de handleiding

Deze handleiding is bedoeld als naslagwerk voor de eindgebruiker en de installateur. Met deze handleiding is de kookkraan op veilige wijze te installeren. Bewaar deze handleiding zorgvuldig.

Deze handleiding is door Inventum Technologies B.V. met de grootste zorgvuldigheid samengesteld. Er kunnen echter geen rechten aan worden ontleend. Inventum Technologies B.V. behoudt zich, in verband met voortdurende productinnovatie, te allen tijde het recht voor om zonder voorafgaande mededeling de specificaties te wijzigen.

1.1 Toepassing

De kookkraan dient te worden aangesloten op HotSpot Titanium boiler en mag alleen in combinatie met een HotSpot Titanium boiler worden toegepast. Elk ander of verdergaand gebruik is niet conform de bestemming. Installeer en gebruik de kraan uitsluitend in technisch perfecte conditie.

1.2 Garantie

Deze kraan is met grote zorg vervaardigd en wordt door Inventum Technologies B.V. gegarandeerd op kostenloze reparatie van alle materiaal- en/of constructiefouten.

Garantieverlening

De zorg voor de uitvoering van de garantie berust in eerste instantie bij de installateur of leverancier waar de HotSpot Titanium kookkraan is gekocht. Raadpleeg dan ook altijd eerst uw installateur of leverancier.

Garantietermijn

- 2 jaar* garantie op de onderdelen zonder registratie;
- Na registratie op de website is de garantietermijn 5 jaar op materiaal.

* gerekend vanaf de datum op het aankoopbewijs

Garantievoorwaarden

- Registreer het product binnen 3 maanden na aankoop.
- Bij aanspraak op garantie moet het model van de kraan vermeld worden.
- De aankoopnota met vermelding van de aankoopdatum dient overlegd te worden.

De garantie geldt alleen als:

- er materiaal- en constructiefouten zijn (e.e.a. ter beoordeling van de fabrikant);
- de kraan volgens deze installatiehandleiding is geïnstalleerd, gebruikt en onderhouden;
- de kraan constructief geen wijzigingen of aanpassingen heeft ondergaan;
- het defect geen gevolg is van te hard of te agressief drinkwater, agressieve (vloei-) stoffen, dampen of gassen en in- of uitwendige corrosie of kalkafzetting;
- het defect geen gevolg is van eigen schuld, nalatigheid of onoordeelkundig gebruik.

Garantie-uitsluiting

- Arbeidsloon;
- Voorrijkosten;
- Verzendkosten;
- Administratiekosten;
- Transportschade;
- Secundaire schade zoals brandschade, bedrijfschade, waterschade of lichamelijk letsel.
- In gebieden met een waterhardheid boven 12 °dH beveelt Inventum Technologies B.V. het gebruik van een filtersysteem met waterontharder aan. In gebieden met waarden boven de 14 °dH stelt Inventum Technologies B.V. het gebruik van een waterontharder met ionenwisselaar als garantievoorwaarde!

* dH = Duitse Hardheid

Service

Meldt u zich altijd bij de plaatselijke installateur of het verkooppunt wanneer u problemen heeft met de installatie en/of de bediening van de kraan. Voor het nabestellen van onderdelen kunt u daar eveneens terecht.

N.B.

Het defect van één of meerdere onderdelen rechtvaardigt in geen enkel geval de vervanging of terugzending van de volledige kraan. Alle relevante onderdelen zijn op korte termijn te verkrijgen.

1.3 Aansprakelijkheid

Inventum Technologies B.V. of uw installateur/leverancier accepteert geen aansprakelijkheid voor schade of lichamelijk letsel van welke aard dan ook ontstaan door:

- het niet opvolgen van de instructies in deze handleiding;
- onvoorzichtigheid bij installatie, gebruik, onderhoud en reparatie van de kraan;
- gebruik niet conform de toepassing;
- het toepassen van onderdelen welke niet door de fabrikant zijn geleverd;
- gevolgschade door lekkage.

2 Beschrijving

Om zoveel mogelijk aan te sluiten bij de vormgeving in uw keuken levert Inventum een aantal verschillende modellen:

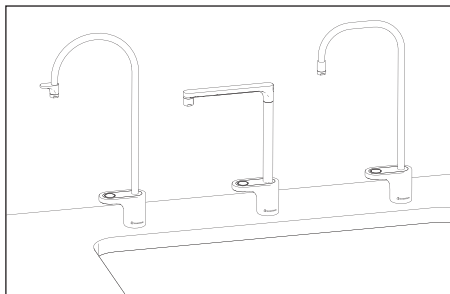


Fig. 2.1 De Agostina, de Lucca en de Celestina

De HotSpot Titanium kranen werken uitsluitend in combinatie met een originele HotSpot Titanium boiler. Zie de gebruikers- en installatiehandleiding van de boiler.

De HotSpot Titanium kranen kunnen eenvoudig en zonder aanpassing zowel links- als rechtshandig worden geplaatst (zie fig. 2.2):

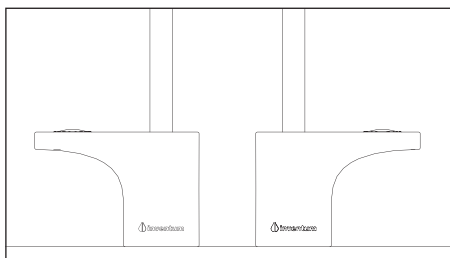


Fig. 2.2 Geschikt voor zowel links- als rechtshandige plaatsing.

Houd er bij installatie rekening mee, dat bij gebruik door rechtshandige personen de bedieningsknop het beste naar links kan worden geplaatst. Op deze manier heeft u het meeste controle over bijvoorbeeld een gevuld theeglas, dat u dan bij vullen in uw rechterhand kan houden.

Houd ook rekening met de positie van de kookkraan ten opzichte van uw keukenmengkraan. Als de uitloop van de kookkraan vlak boven de bediening van de combikraan staat, kan dit gevaarlijke situaties opleveren. Bediening en gebruik van de verschillende kranen zijn gelijk, alleen de vormgeving van de uitloop wijkt af.

3 Leveringsomvang

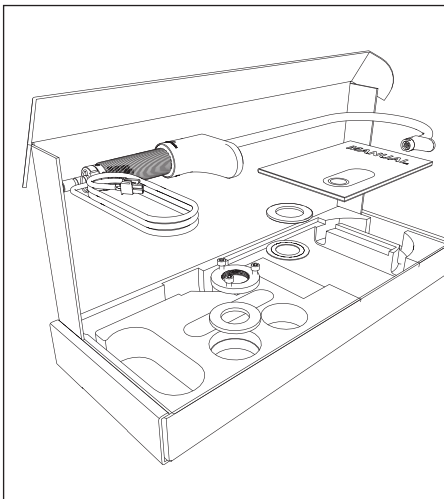


Fig. 3.1 Inhoud verpakking kraan

3.1 Inhoud verpakking kraan (zie fig. 3.1).

Naast uw HotSpot Titanium boiler beschikt u ook over een bijbehorende kookkraan in een aparte verpakking. Deze omvat het volgende:

- 1) Een HotSpot Titanium kookkraan (type kan afwijken van de afbeelding)
- 2) Een onderlegging, verchromd
- 3) Een gecombineerde rubber voetpakking
- 4) Een drukring
- 5) Een moer met drie inbusbouten
- 6) Een installatievoorschrift voor de kraan

Om gevaarlijke situaties te voorkomen dienen zowel de HotSpot Titanium boiler als de HotSpot Titanium kookkraan volgens de bijgaande installatievoorschriften* te worden geïnstalleerd door een erkend vakman.

** U vindt de installatievoorschriften achterin dit boekje (Hoofdstuk 8).*

4 Bediening

De unieke HotSpot Titanium kookkraan werkt met een elektronische bedieningstoets om het water uit de kraan te laten stromen. Middels een volkomen veilige laagspanning waakt het IntelliProtect®-systeem over de veiligheid van u en uw huisgenoten. Het kraanhuis en de uitloop zullen altijd een aangenaam lage temperatuur houden, ook als u langer tapt.



Dit apparaat is niet bedoeld voor gebruik door personen (incl. kinderen) met fysieke, mentale en/of visuele beperkingen, of gebrek aan kennis en ervaring, tenzij onder begeleiding van een daartoe bevoegd persoon.



Let op, dit apparaat is geen speelgoed! Ouders en/of verzorgers dienen te voorkomen dat kinderen ermee spelen.

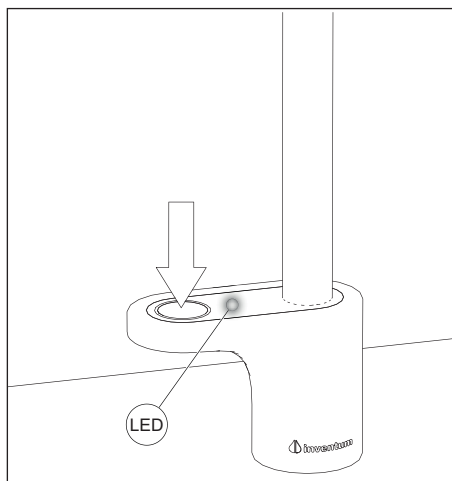


Fig. 4.1 Indicatielampje

Naast de elektronische bedieningstoets zit een indicatielampje (LED) (zie fig. 4.1). Zodra de elektronische bedieningstoets wordt bediend gaat dit lampje continu branden. Na een vertraging van 0.5 seconde opent de kraan(*) en gaat het indicatielampje knipperen.

Indien de panvuloptie is geselecteerd zal het indicatielampje na 10 seconden weer continu gaan branden, ter indicatie dat het water zal doorlopen als de knop wordt losgelaten. Afgifte van water stopt in dit geval onmiddellijk als de druktoets weer wordt bediend.

() IntelliProtect® niveau 1, zie voor de instelling van de beveiliging de handleiding van de boiler.*

De HotSpot Titanium kranen zijn 120 mm in hoogte verstelbaar en 360° draaibaar. De roterende beweging is niet begrensd, zodat de HotSpot Titanium kraan voor zowel links- als rechtshandigen optimaal kan worden ingesteld. Een onderhoudsvrij kliksysteem houdt de kraanuitloop stevig in de juiste positie.

- Vermijd grote krachten en belasting van de kraanuitloop.
- In verband met verbrandingsgevaar wordt afgeraden de kraanuitloop te verstellen tijdens het tappen.
- Het verdient aanbeveling de kraanuitloop dicht boven het te vullen object te houden, dit beperkt afkoeling van het water, spetters en stoomvorming.



Gebruik geen plastic (wegwerp)-bekers om het kokende water op te vangen. Deze bekers zijn vaak niet bestand tegen de hoge temperatuur!



Als u een kop, glas of pan vult met water uit de HotSpot Titanium wordt deze in korte tijd zeer heet! Houd hier rekening mee, gebruik bescherming zoals ovenhandschoenen of pannelappen.



U dient altijd voorzichtig te zijn met het kokende water dat uit de kraan stroomt! Verbrandingsgevaar bij direct huidcontact!



Kopjes met een holle bodem moeten voorzichtig in de straal worden gebracht, om te voorkomen dat het kokende water over de rand loopt.

5 Onderhoud

Laat uw HotSpot Titanium jaarlijks ontkalken als u in een gebied woont met hard water (hoger dan 12 °dH)

5.1 Schoonmaken

Zowel de behuizing van de boiler als de kraan is met een zachte doek eenvoudig te reinigen. Gebruik geen agressieve of schurende schoonmaakmiddelen.

5.2 De kraan

De HotSpot Titanium kookkraan heeft een hoogteverstelling. Deze verstelling behoeft geen onderhoud (smering). Afhankelijk van het gebruik van de HotSpot Titanium en de hardheid van het water zal in de uitloop van de kraan kalkaanslag kunnen ontstaan. Indien de waterafgifte minder wordt dan 1.2 liter per minuut, dient u de uitloop te reinigen of de kunststof straalbreker te vervangen (zie fig.5.1). Deze straalbrekers zijn verkrijgbaar bij uw installateur. Vervangen gaat eenvoudig:

Draai voorzichtig de moer onderaan de uitloop los (gebruik een goed passende steeksleutel 14 mm (Agostina, Celestina) of 16 mm (Lucca) om de twee platte kantjes; dit geeft de minste kans op beschadiging.

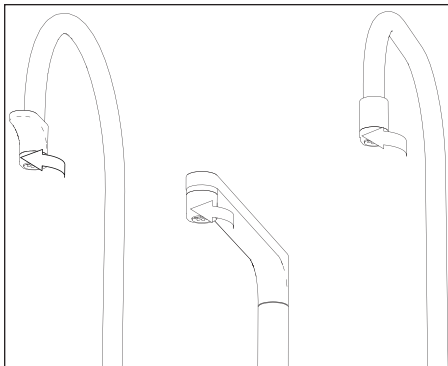


Fig. 5.1 Vervangen/reinigen straalbreker



Om de straalbreker ligt een rubberen ring. Als deze niet met de straalbreker meekomt dient deze ring voorzichtig met een niet-scherp voorwerp uit de kraanuitloop verwijderd te worden (zie fig 5.2).

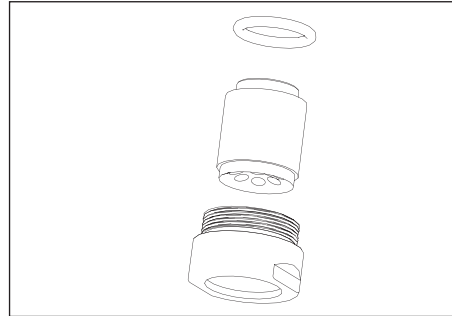


Fig. 5.2 Moer + straalbreker + rubberen afdichting

Controleer of de rubberen afdichting geen beschadigingen heeft* (zie fig 5.2).

Vervang* of reinig de kunststof straalbreker volgens de gebruiksaanwijzing in een ontkalkingsmiddel. Monteer het geheel, draai de moer niet te zwaar vast, anders beschadigt de schroefdraad.

** Beschadigde O-ringen moeten vervangen worden. Via uw installateur kunt u een revisiesetje (bestaande uit straalbreker en O-ring) bestellen.*

6 Storing

De HotSpot Titanium kookkraan is een Nederlands kwaliteitsproduct, ontwikkeld op basis van jarenlange ervaring en gebouwd met eersteklas materialen. Indien zich onverhoopt toch een storing voordoet, kunt u deze oplossen aan de hand van de tabel.* Als de voorgescreven handeling niet het gewenste effect heeft, trek dan de stekker uit het stopcontact en waarschuw uw installateur. Noteer eerst productnaam, typenummer en serienummer van uw HotSpot Titanium boiler. Deze informatie vindt u aan de achterzijde van het apparaat.

** in de gebruikers- en installatiehandleiding van de boiler*



Uw HotSpot Titanium kookkraan mag alleen door de erkende vakman worden gerepareerd. Zelf repareren kan tot gevaarlijke situaties leiden! Bij reparatie door onbevoegden vervalt de garantie!



Indien het netsnoer beschadigd is dient dit uitsluitend door de technische storingsdienst van Inventum vervangen te worden om gevaarlijke situaties te vermijden.

7 Einde levensduur

De HotSpot Titanium kookkraan bevat geen giftige of schadelijke stoffen en kan worden aangeboden bij uw plaatselijke afvalverwerker.

Ook de verpakkingsmaterialen zijn geheel recyclebaar.

8 Installatie

Bij de installatie dient in acht te worden genomen:

- Installeer de boiler volgens de installatie-handleiding die bij de boiler is geleverd.
1. Boor een gat van $\varnothing 30$ tot maximaal $\varnothing 36$ mm op de door uw gewenste plek. Let op 150 mm, het bereik van de kraan; de uitloop moet boven de gootsteen zitten. Het aanrecht kan 1 tot 70 mm dik zijn. Onder het aanrecht moet 305 mm vrij gehouden worden i.v.m. de instelbaarheid van de hoogte van de kraan.
 2. Plaats de kraan met onderlegging op het aanrecht. Let op de rubberen pakking tussen het aanrecht en de verchroomde onderlegging. De meegeleverde pakking dient voorzichtig uit elkaar genomen en tussen de delen gelegd te worden.

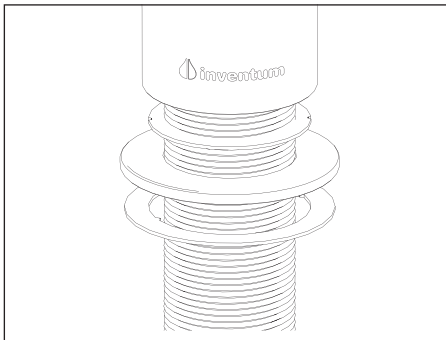


Fig. 8.1 Kraanvoet

3. Schuif de stalen ring over de kraanvoet onder het aanrecht.
4. Draai de moer op de kraanvoet.
5. Draai de imbusbouten aan om de kraan goed vast te zetten.
6. Schuif de koppeling aan de rode slang die uit de boiler komt over de kookkraan aansluiting tot deze niet verder kan (zie fig. 8.2).

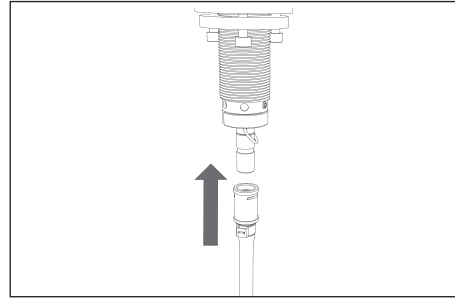


Fig. 8.2 Aanbrengen slang op kookkraan

7. Borg de koppeling met de bij de boiler meegeleverde metalen borgclip (zie fig. 8.3). **LET OP**, de clip moet netjes om het koppelingshuis klikken. Controleer of de verbinding goed is gemaakt door zachtjes aan de slang te trekken.

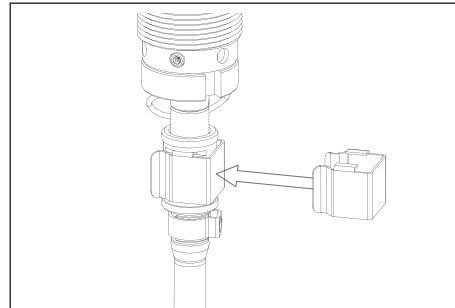


Fig. 8.3 Aanbrengen borgclip

8. Sluit de draad die uit de HotSpot Titanium kookkraan komt aan op de connector aan de achterzijde van de boiler (haakje naar beneden) (zie fig 8.4).

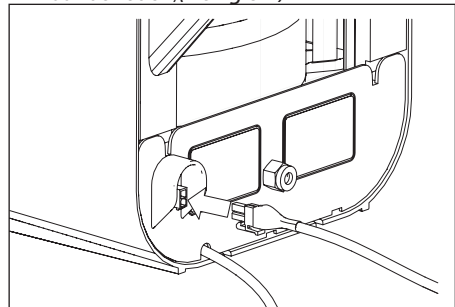


Fig. 8.4 Aansluiten draad op connector boiler

Lees verdere details in de installatie- en gebruikershandleiding van de HotSpot Titanium boilers.

Installed by:
Installeert von:
Geïnstalleerd door:

Inventum Technologies B.V.
PO Box 275, 3990 GB Houten
Kaagschip 25, 3991 CS Houten

Tel.: +31 (0)30 274 84 84
Fax: +31 (0)30 274 84 85
E-mail: info@hotspot-titanium.com

hotspot titanium

www.hotspot-titanium.com

Powered by  **inventum**

The HotSpot Titanium was designed and developed by Inventum. A 100% Dutch company with over 100 years of dedication, knowledge and expertise.

10/2016 12189 rev-3