

# User instructions EN

# hotspot titanium

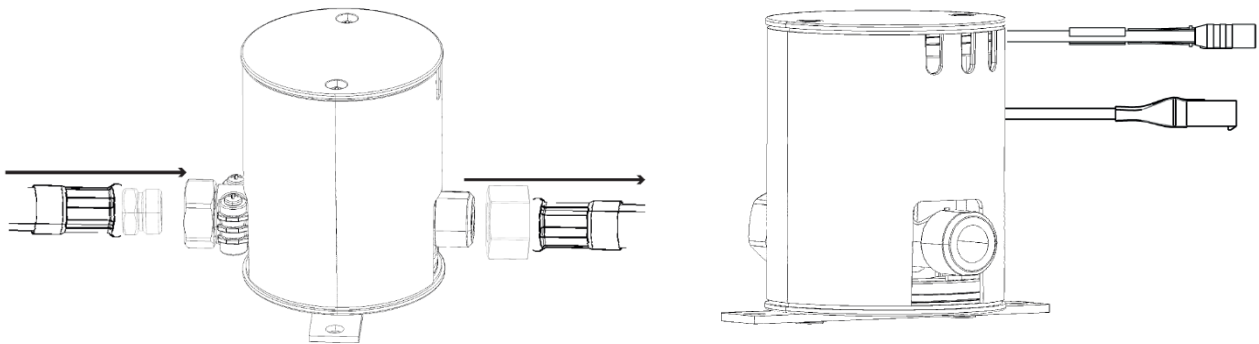
Description:	External valve box & hose connection Applicable for Alessio, Adrianna & Solo taps
Item Number:	S1301541.01 & S1301541.03

## Scope of delivery

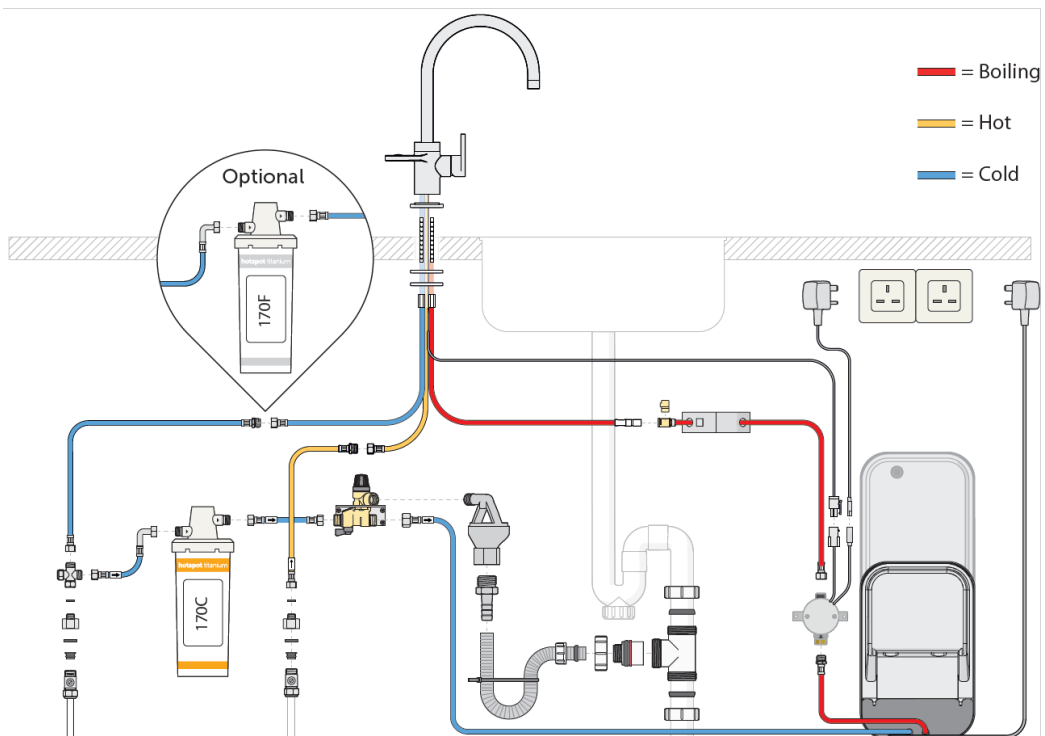
1. External valve box
2. Power adapter
3. White boiling water extension hose

## Connection

1. Connect the external valve box to the boiling water outlet of the heater
2. Connect the white boiling water extension hose to the outlet of the external valve box
3. Connect the white boiling water extension hose to boiling water hose of the tap
4. Connect the pin connector to the supplied power adapter
5. Connect the Molex connector to the connector on the electronic wire of the tap



## Final installation schematic



### Setting mode of safety level of the tap

After the connecting the external valve box to the tap and power supply, the LED, on the press button of the tap will blink for 30 seconds. While the LED blinks, the safety level can be set.

#### **IntelliProtect setting selection; please read below instructions before powering the tap.**

Press and hold the press button on the keypad, the flashing will continue for 2-3 flashes before pausing. This is now it setting select mode.

- 1) First the light will flash once, if you wish to have a one button press safety release your hold on the keypad now.
- 2) After the single flash there will be a pause and the keypad will flash twice, if you want a two button press safety, release now.
- 3) Following the two flash and a pause the keypad will flash three times, if you wish to have a three button press, release now.
- 4) When you release the keypad upon selecting your chosen safety setting the keypad will then flash four times. This is the volume pan fill mode. If you want this setting activated press the keypad after the four flashes. If you don't want to activate pan fill mode don't press.
- 5) Your system is now set and is acknowledged by the light flashing fast.

You can reset the safety levels at any time by plugging out the power plug of the external valve box. Once unplugged, please press the button on the tap until the light no longer flashes to ensure all power has been dissipated before resetting the safety level.

In case of an electricity drop the safety level will be saved, so in case of a power failure or a disconnect, it will automatically be restored to your selected safety level.

If the settings are done, or the button has not been pressed after the 30 seconds, the LED will flash. It signals, that the setting mode has ended. If it's the first time of setting the safety level and nothing has been pressed, the safety level will be set to level 1 automatically.

### Using the tap

#### **Safety Level 1**

Press the button and hold it, to open the valve. If Pan-Fill is active, press the button two times and do not hold it, to open the valve for 60 seconds.

#### **Safety Level 2**

Press the button two times (and hold it), to open the valve. When the button is released, it is sufficient to press and hold it again only for one time within 3 seconds, to open the valve again.

#### **Safety Level 3**

Press the button three times (and hold it), to open the valve. When the button is released, it is sufficient to press and hold it again only for one time within 3 seconds, to open the valve again.

#### **Pan-Fill**

Applies to safety level 2 and 3 and only if Pan-Fill is activated: While the valve is open (LED blinks), the button can be held for another 10 seconds until the LED starts to glow permanently. The button can be released now and the valve will be open for 60 seconds and will close automatically. It can also be closed by pressing the button again.