

hotspot titanium

MANUAL

Your Hotspot Titanium Product record

(dd-mm-yyyy)

Purchase date:

 - -

Installation date:

 - -

Serial no:

First filter change:

 - -

Second filter change:

 - -

Third filter change:

 - -

Fourth filter change:

 - -

Fifth filter change:

 - -

Hotspot Titanium UK

90 Rockingham Street

Sheffield, S1 4EB

+44 (0)20 3192 1428



Table of contents

1	Introduction	4	7	Maintenance	18
2	Tools required	4	7.1	Cleaning	18
3	System overviews & installation	4	7.2	Filter replacements	18
	3.1 Vito Single	5	8	Technical specifications	19
	3.2 Vito Hot-mix	6	9	Troubleshooting	20
	3.3 Eleganza Single	7	9.1	LED indication messages on the boiler	20
	3.4 Eleganza Hot-mix	8	9.2	Malfunction table	21
4	Intended use	9	Appendix 1 Detailed installation: exploded views	22	
	4.1 The heater	9	A	Vito tap connection	23
	4.2 The tap	9	B	Eleganza tap connection	24
5	Warranty	9	C	Cold water mains connection	25
	5.1 Warranty	9	D	Boiling water filter 170C	26
	5.2 Warranty period (residential installation)	9	E	Safety group	27
	5.3 Warranty registration	9	F	Waste connection	28
	5.4 Warranty claim	10	G	Boiler inlet connection	29
	5.5 Warranty conditions	10	H	Vito tap external valve connection	30
	5.6 Warranty exclusion	10	I	Boiler connection single systems	31
	5.7 Liability	10	J	Boiler connection hot-mix systems	32
6	User information	11	K	Mixing valve connection	33
	6.1 Vito tap	11	L	Hot water mains connection	34
	6.2 Eleganza tap	16	M	Cold water filter 170F	35
	6.3 4 & 8 litre base unit	16	Appendix 2 Check installation	36	
	6.4 Mixing valve	16			
	6.5 Filters	17			

1 Introduction

Congratulations on your purchase of the Hotspot Titanium system. You have bought a safe and reliable quality product. The Hotspot Titanium boiling water tap operates in combination with your Hotspot Titanium 4 or 8 litre base unit. The system provides you with boiling water as well as hot and cold tap water like every kitchen mixer tap. The taps of Hotspot Titanium will always ensure safety for you and the people using the tap.

This manual is intended as a reference for the end-user and the installation technician. Using this manual, the Hotspot Titanium 3-in-1 tap can be installed safely. Store this manual carefully, you may need to use it in the future. Hotspot Titanium has prepared this manual with care. However, no rights may be derived from it. In connection with continuous product innovation, Hotspot Titanium reserves the right to change the specifications at all times and without prior notice. The appendix of this manual is intended for the fitter only. Carefully read the part of the guide that is intended for you.

2 Tools required



Screwdriver
Phillips and Torx



Marking pencil



Wrench 19



Adjustable wrench



Wrench 17



Teflon (PTFE) tape



Measuring tape






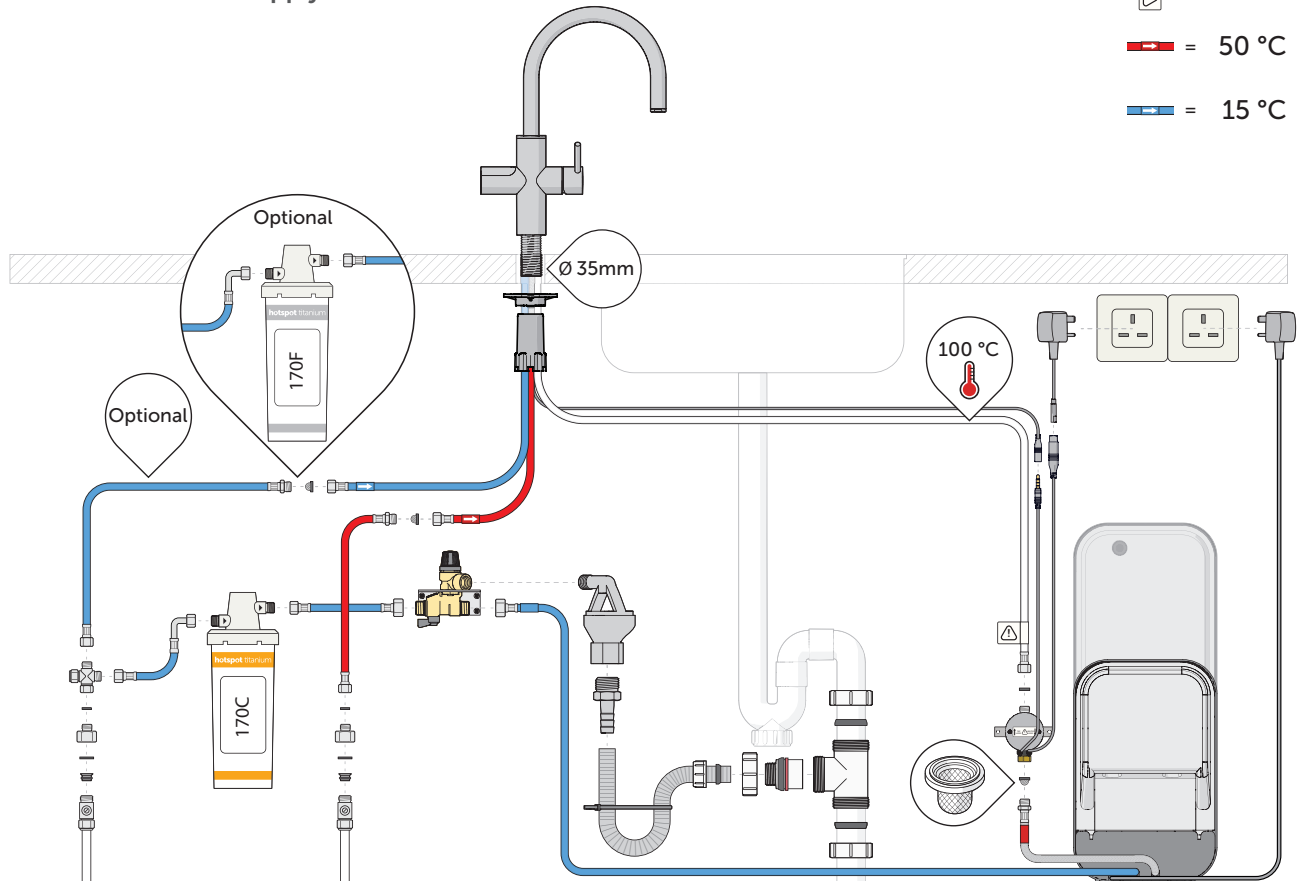
PVC saw

3 System overviews & installation

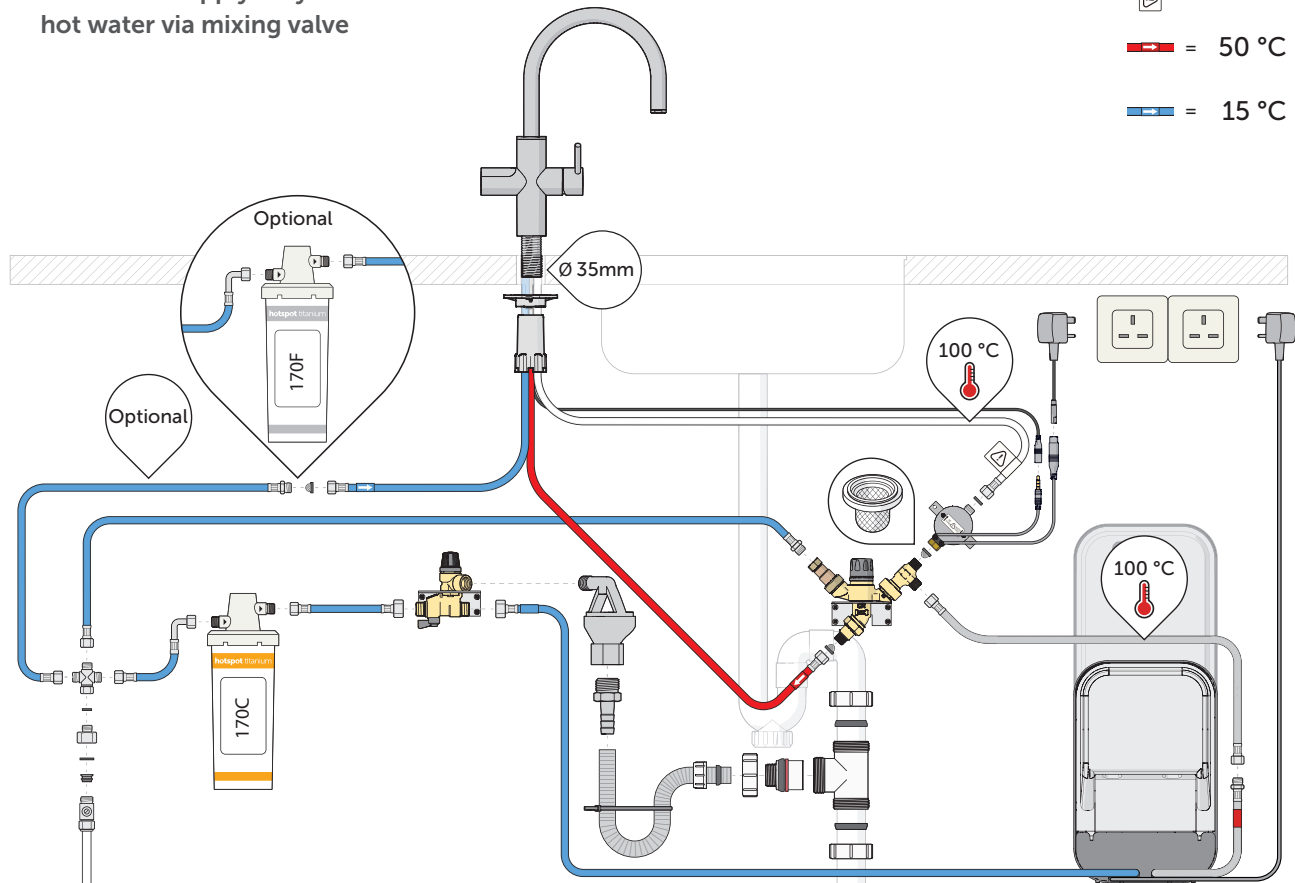
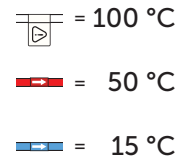
On the following pages you will find the system installation overviews of all the different kinds of system. Please look carefully at the installation schematic before installation. In case you require further details of parts installation you can look in the appendix of the manual for the exploded views.

3.1 Vito Single cold & hot water supply available

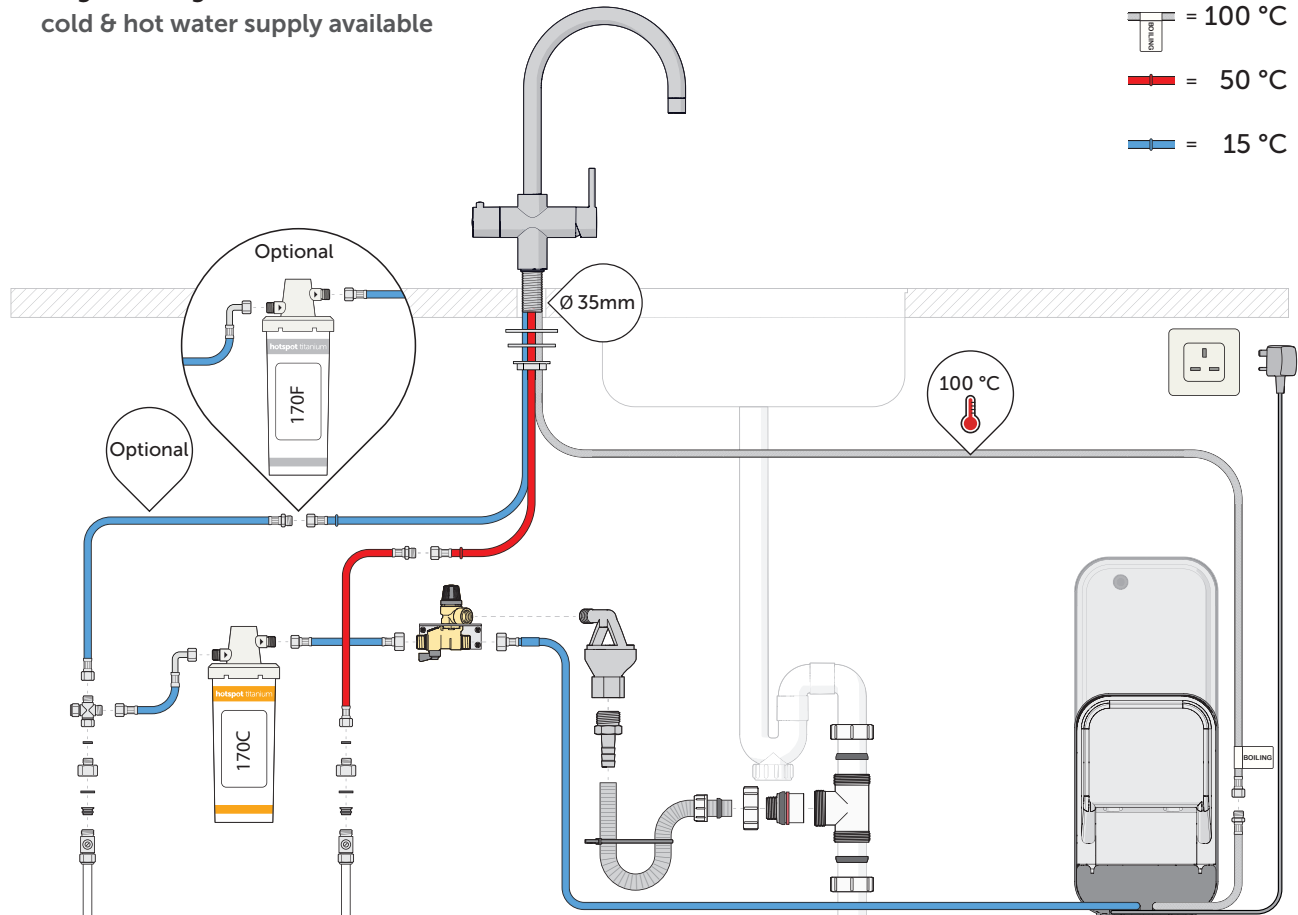
 = 100 °C
 = 50 °C
 = 15 °C






3.2 Vito Hot-mix
cold water supply only &
hot water via mixing valve

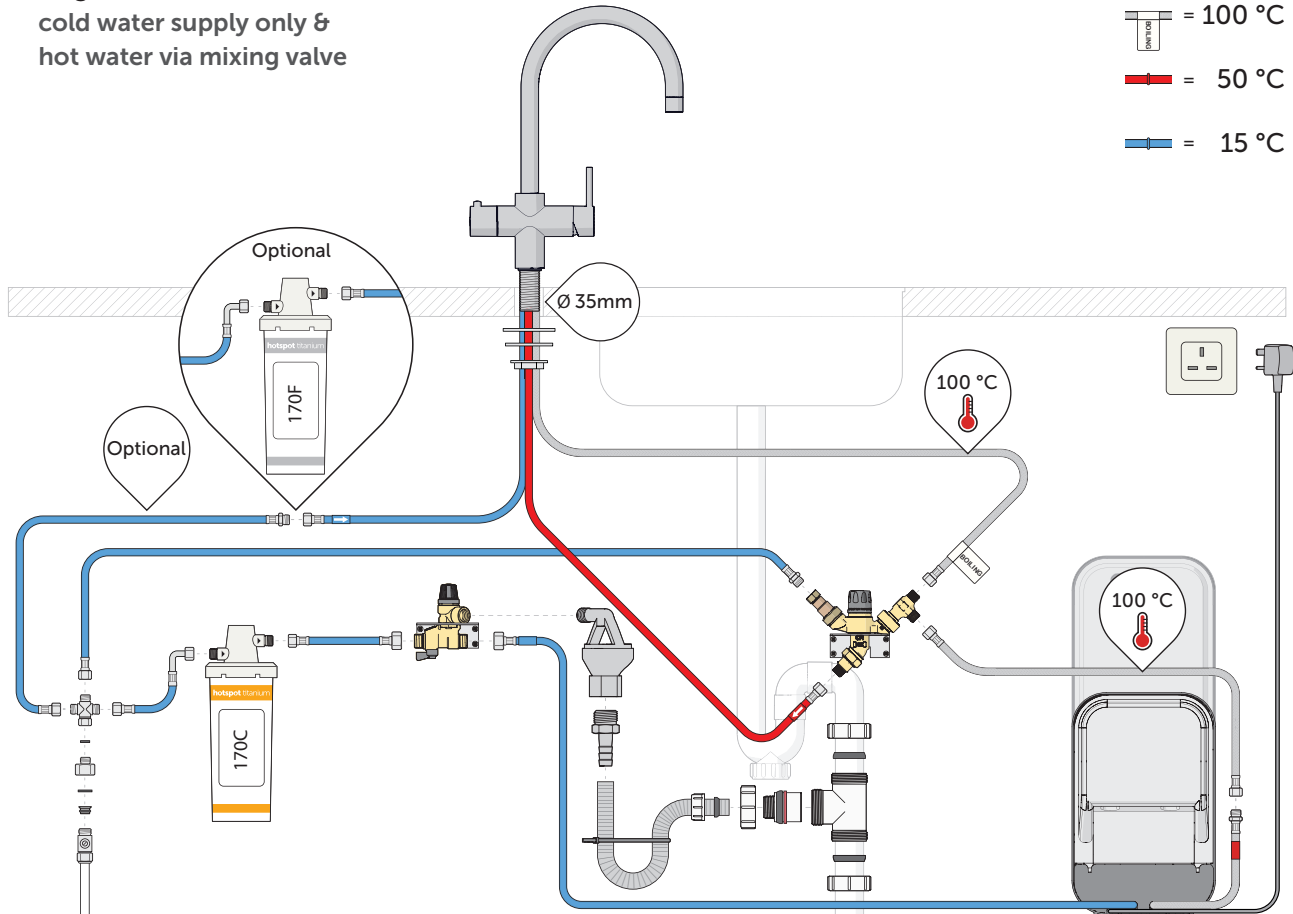


3.3 Eleganza Single cold & hot water supply available



3.4 Eleganza Hot-mix cold water supply only & hot water via mixing valve

-  = 100 °C
-  = 50 °C
-  = 15 °C



4 Intended use

4.1 The heater

The water heater is suitable for storage and heating of drinking water under pressure. The water heater, fitted with overpressure protection, should be connected to a water mains with a water pressure that does not exceed 5 bar, otherwise, a pressure reducing valve must be used. Any other use is not in accordance with the intended purpose.

4.2 The tap

The tap should only be connected to a Hotspot Titanium base unit. Any other usage is not in accordance with the designated use.

5 Warranty

5.1 Warranty

The Hotspot Titanium system has been manufactured with the greatest care. Hotspot Titanium guarantees the repair of all material and/or structural defects free of charge within the warranty period.

5.2 Warranty period (residential installation)

- 2-year* parts and labour warranty on the water heater & tap without registration;
- 5-year* parts and labour warranty on the products after registering the product on the website;
- 20-years* leakage warranty for the registered owner on corrosion of the titanium tank.

* starting from the date on the invoice

5.3 Warranty registration

Register your product online on our website <https://www.hotspot-titanium.co.uk/register-your-hotspot-titanium/> within 3 months after purchase to make use of the extended warranty offer. The purchase invoice indicating the date of purchase and products must be submitted.

5.4 Warranty claim

- In the event of a warranty claim, please provide the model and the serial number of the water heater located on the label on the rear of the base unit.
- You can request service via our website.
[https:// www.hotspot-titanium.co.uk/repair-and-service/](https://www.hotspot-titanium.co.uk/repair-and-service/)
- The invoice together with the date of purchase must be submitted for a service request.

5.5 Warranty conditions

- Boiling water filter requires replacement prior to reaching its capacity or annually, whichever comes first. Filter capacity can be found within the filter manual.
- There are material and structural defects (to be assessed by the manufacturer);
- The system is installed, used and maintained in accordance with the supplied installation and operating guide;
- The system has not undergone any structural changes or adjustments;
- The defect is not the result of boiling dry, too hard or too aggressive drinking water, aggressive liquids or substances, damp or gasses and interior or exterior corrosion or scaling;
- The defect is not the result of the owner's own fault, neglect or improper use.

5.6 Warranty exclusion

- General wear and tear of the product
- Transport damage
- Secondary damage, such as fire damage, loss of profits, water damage or physical injury
- Failure to protect your Hotspot Titanium system against limescale

5.7 Liability

Hotspot Titanium accepts no liability for damage or bodily injury of any kind resulting from:

- Failure to follow the instructions in this manual;
- Carelessness during installation, use, maintenance and repair of the system;
- Use not in accordance with the application;
- The use of components not supplied by the manufacturer;
- Consequential damage due to leakage.

6 User information

6.1 Vito tap

The Hotspot Titanium Vito tap is the latest and most user-friendly boiling water tap combining safety, hygiene and style. The LED control panel, located on the left of the tap, has three features:

1. Handsfree hybrid water feature: cold-hot (mixed) water without touching the tap;
2. BSAFE boiling water safety feature: adjustable between safety level 1, 2 and 3;
3. Preset boiling water volume feature

All three features use smart LED technology and an infrared sensor, ensuring ultimate usability and safety.

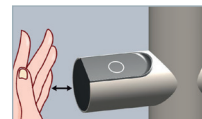
6.1.1 Handsfree hybrid water feature

The handsfree hybrid water feature provides 10 seconds of cold-hot (mixed) water with touch free use of the tap. The hybrid water feature can be activated via the sensor located on the left edge of the control panel.

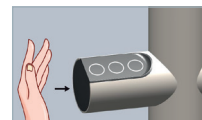
To activate the handsfree hybrid water, please follow the following steps:

1. Select your desired water temperature by adjusting the temperature lever on the right of the tap (up for cold, down for hot).

2. Once selected, wave your hand within 1cm of the infrared sensor, located on the left edge of the control panel.



3. All three LED circles will light up **white** to indicate active cold-hot (mixed) water flow.
4. The water flow will automatically stop after 10 seconds.
5. To disable the hybrid water feature within 10 seconds, wave your hand within 1cm of the infrared sensor again.



6.1.2 BSAFE boiling Water Safety Feature

The Vito tap is designed for (child) safe use of boiling water with our BSAFE boiling water safety features. Our BSAFE boiling water safety control is designed in a way that only a person who knows and understands how to use the BSAFE control panel can activate the boiling water dispense. Please read the following 4 paragraphs before your first time use.

- A) BSAFE – How to use?
- B) Using the BSAFE boiling water safety levels
- C) How to change or set the BSAFE safety levels
- D) List of all BSAFE LED Indicators

A) BSAFE – How to use?




The following needs to be considered when the control panel is being used:

- Every BSAFE LED ring requires to be pressed (for 0.5 seconds) to be recognized, only when your press is recognized the control panel will enter the next stage in activating of the boiling water.
- Our BSAFE technology detects the pressure from your finger only inside the LED ring and when your finger is released from the LED ring.
- To activate boiling water there is a two, three or four step activation required. This is always a combination of pressing on the control panel and waving your hand past the sensor.
- The infrared sensor on the left side of the control panel only recognizes your wave when the wave is up to 1 centimeter distance from the sensor.

B) Using the BSAFE boiling water safety levels

Use in safety level 1





In safety level 1, there is a two-step boiling water activation. To activate the boiling water please follow the steps below.

Indicator	Description
	1. Press the white LED (for 0.5 seconds) to get to step 2 of boiling water activation.
 (flashing)	2. Wave your hand 1cm away from the sensor as the 3 LEDs flash red.
	3. The 3 LEDs are continuously on to indicate boiling water is being dispensed.

To stop the boiling water please wave your hand past the sensor again or it automatically stops after 60 seconds.

Use in safety level 2 (default)






In safety level 2, there is a three-step boiling water activation, to activate the boiling water please follow the steps below.

Indicator	Description
	1. Press the white LED (for 0.5 seconds) to get to step 2 of boiling water activation.
	2. Press the red LED (within 2 seconds after step 1 for 0.5 seconds) to get to step 3 of boiling water activation.
 (flashing)	3. Wave your hand 1cm away from the sensor as the 3 LEDs flash red.
	4. The 3 LEDs are continuously on to indicate boiling water is being dispensed.

To stop the boiling water please wave your hand past the sensor again or it automatically stops after 60 seconds.

Use in safety level 3




In safety level 3, there is a four-step boiling water activation, to activate the boiling water please follow the steps below.

Indicator	Description
	1. Press the white LED (for 0.5 seconds) to get to step 2 of boiling water activation.
	2. Press the orange LED (within 2 seconds after step 1 for 0.5 seconds) to get to step 3 of boiling water activation.
	3. Press the red LED (within 2 seconds after step 2 for 0.5 seconds) to get to step 4 of boiling water activation.
 (flashing)	4. Wave your hand 1cm away from the sensor as the 3 LEDs flash red.
	5. The 3 LEDs are continuously on to indicate boiling water is being dispensed.








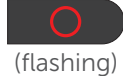


To stop the boiling water please wave your hand past the sensor again or it automatically stops after 60 seconds.

C) How to change or set the BSAFE safety levels

When you disconnect the power of the tap and connect power again the tap will initialize. After 5 to 10 seconds the tap will go on, please follow below instruction to set your desired safety level.

Indicator	Description
 (flashing)	1. The single red LED is flashing 6 times. Please press the flashing red LED to enter the setting mode. If the LED is not pressed within the flashing, the tap will automatically boot up in the default level or previously set safety level in case it was changed before.
 (flashing)	2. The three LEDs are flashing from red to white. The numbers are not shown on the tap but indicate the safety levels within this manual. Press (from left to right) button 1, 2 or 3 to select the required safety level.
	3. Safety level setting successful. The green light appears on the position of the selected level.

D) List of all BSAFE LED Indicators

Indicator	Description
	The single white LED is the standby mode.
	The single orange LED is only visible in safety level 3. This is part of the four-step boiling water activation.
	The single red LED is only visible in safety level 2 & 3. This is part of the two or three-step boiling water activation.
 (flashing)	Boiling water is about to be activated.
	Boiling water is being dispensed.
	The hybrid function is activated.
 (flashing)	Cleaning mode is activated for two minutes.
 (flashing)	The single red LED is flashing 6 times and is only visible in the first seconds of connecting the tap to the power supply.
 (flashing)	The three LEDs are flashing from red to white indicating the safety settings menu. The numbers are not shown on the tap but indicate the safety levels within this manual.
	Safety level setting successful.

6.1.3 Preset Boiling Water Volumes

Your Vito tap has three preset boiling water volumes to select for your convenient amount of water.



Level 1: low volume.

Level 2: medium volume

Level 3: highest volume, stops automatically after 60 seconds.



The boiling water will always automatically stop after the running time of your selected preset level.

To alter the boiling water preset volumes on your Vito tap:

	Boiling water is being dispensed
	Press button 1, 2 or 3 within 3 seconds after activating the boiling water. If you select level 1 you can still switch to level 2 or 3 if this is preferred within the first few seconds.

Cleaning mode

The Vito tap cleaning mode puts the tap in standby mode for 2 minutes.

	Press positions 1 and 3 at the same time to activate the cleaning mode.
 (flashing)	The cleaning mode is activated for 2 minutes. The time counts down, one less LED is shown each time. The cleaning mode can be deactivated by pressing position 1 and 3 again at the same time.

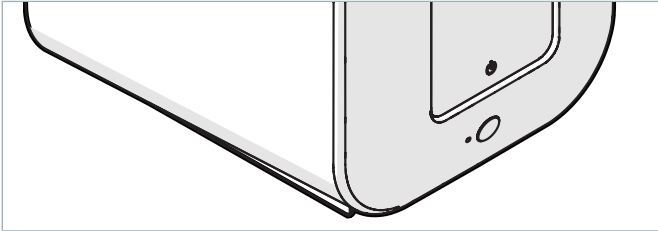
6.2 Eleganza tap

The Hotspot Titanium Eleganza taps use a mechanical safety feature. By pressing the button on the left part of the tap and turning the knob backwards you can activate the flow of boiling water.

By turning the knob further backwards you can control the amount of boiling water flowing out of the tap. When you release the knob it will automatically turn off the boiling water.

6.3 4 & 8 litre base unit

The Hotspot Titanium base unit can be turned on and off with use of the power button.



6.4 Mixing valve

The mixing valve and boiler can be the source for your hot water if you do not have a hot water supply. The mixing valve can be used to provide the hot water to the tap by mixing the incoming cold with the stored boiling water.

Temperature setting table

Position	MIN	1	2	3	4	5	6	7	MAX
T °C (hot)	41	46	48	51	55	59	63	67	72

6.5 Filters

6.5.1 General filter information

The quality and the taste of your water is our highest priority. The water filter greatly improves the taste and odour of the water that is delivered and enhances the flavour of any cold or hot beverage being poured.

Filters are required to be changed annually residentially. For commercial applications please speak with our technical department.

A filter change does not require isolation of the water supply. Simply unscrew the filter from the filter head and it will isolate the water itself. When replacing an existing cartridge there will be air that escapes through the tap or flush valve.

6.5.2 Boiling water filter 170C

Upon installation the boiling water filter should be flushed with 10 to 15 litres of water. The flushing is done by pouring from the boiling side of the tap or using the flush valve on the filter head.

6.5.3 Cold water filter 170F

Upon installation the cold water filter should be flushed with 10 litres of water. The flushing is done by simply opening the cold water side of the mixer tap or using the flush valve on the filter head.

6.5.4 Filter dimensions

Filter height including filter head	295 mm
Filter cartridge height	245 mm
Filter diameter (maximum)	95 mm
Extra space required for replacement	40 mm

6.5.5 Filter bypass setting

The filter bypass has been calculated on setting 5 and should be supplied pre-set.

6.5.6 Periods of non use:

>7 days	flush 2 litres of water
>30 days	flush 10 litres of water
>90 days	replace cartridge

7 Maintenance

When installing the Hotspot Titanium water heater, be sure to check the quality of your water. The usage of a boiling water filter is mandatory. For more information about the water filters we refer you to our website or the water filter manuals.

7.1 Cleaning

- Both the water heater housing and the tap body can easily be cleaned with a micro fibre cloth. There is no need to use cleaning detergents.
- We recommend to clean the aerator of the tap periodically, this is located in the end of the spout of the tap. Replacement parts of the aerator are available at Hotspot Titanium via the service department: service@hotspot-titanium.com.

7.2 Filter replacements

The cartridge of your boiling water filter should be changed as below, whichever comes first:

- When the water filter cartridge is installed for one year, this is required due to hygienic reasons and bacteria build-up.
- When the water filter cartridge has reached its capacity. For more information about the capacity we refer you to our filter manuals.
- The water filter cartridges are available at the web shop of Hotspot Titanium:

<https://www.hotspot-titanium.co.uk/>

The boiling water filter requires to be changed in accordance with the above to keep the warranty conditions available to your system.

8 Technical specifications

General information		
Ambient temperature	4 – 38 °C	
Operating humidity range	25 – 85% relative humidity (RH)	
Maximum operating altitude	2000 m	
Protection rating	IPX4	
Electrical information		
Connection	13amp group earthed wall socket	
Power supply	220-240 V ~ 50 Hz	
Max. capacity	2100 Watt	
Technical specifications and use information	4 litre base unit	8 litre base unit
Article number(s)	40134024	40138028
Capacity (volume in litre)	3.8 L	7.0 L
Weight when empty	4.5 kg	5.7 kg
Weight when full	8.5 kg	13.7 kg
Drinking water inlet connection	Cold water only	Cold water only
Standby-power use (in OFF status)	14 W	14 W
Declared load profile	XXS	XXS
Daily energy use (on base of XXS)	1.433 kWh	1.425 kWh
Sound power level	15 dB	15 dB
Water heating energy efficiency	35.15%	35.50%
Energy class (label)	A	A
Maximum water supply pressure	5 bar	5 bar
Maximum flow rate of boiling water	2.7 l/min @ 3 bar	2.7 l/min @ 3 bar
Heating time from 10°C to 100°C	15 min	24 min
Dimensions (W x H x D)	210 x 325 x 285 mm	210 x 525 x 285 mm

9 Troubleshooting

The Hotspot Titanium boiling water system is a quality product developed on the basis of many years of experience, and it is made of first-class materials. In the unlikely event of a malfunction, you can rectify it by using the table below. If the action described does not have the required effect, pull the plug out of the wall socket and inform Hotspot Titanium about this. First, note the product name, model number and the serial number of your Hotspot Titanium base unit. You can find this information on the back of the base unit.

9.1 LED indication messages on the boiler

LED color	Description	Action
Blue	Installation, system self-examination	The internal components (temperature sensors) and voltages are checked. No action required, just wait.
Red flashing	The water is heating up	No action required. Wait for the water to reach its maximum temperature.
Red	Heating finished (maximum temperature reached)	No action required.
Orange flashing	Base unit failure	Turn off the unit and contact Hotspot Titanium service department.
Blue flashing	No water in water heater (dry boiling protection).	Switch the unit off. Fill boiler with water. Aerate the system by venting the air out of the system by opening the boiling water of the tap and switch the unit on again.

9.2 Malfunction table

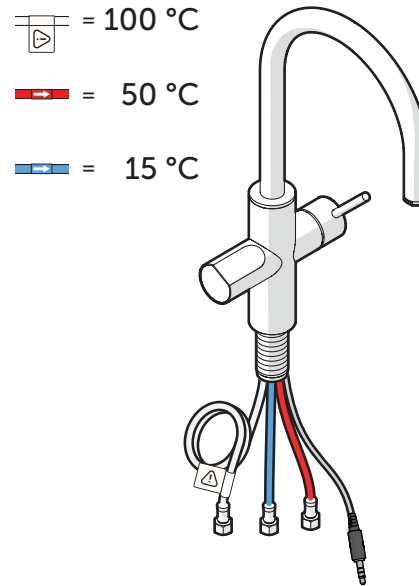
Issue	Description	Action
Relief valve dripping	Small drips from the relief valve (when unit is heating).	This is perfectly normal, no action required. This is the expansion of water when heating to boiling point.
Relief valve flowing	Continuous flow of water from the relief valve	The maximum inlet pressure of 5 bar is exceeded. A pressure reducing valve will need to be installed.
No boiling water	There is no boiling water flowing when opening the boiling side of the tap. This might be that the base unit is not filling with water.	Please check if: All isolation valves are open There are no kinked pipes The PRV isolation is open Check that filter cartridges are fully inserted into the head.
No boiling water (Vito tap)	No water is flowing when boiling water is requested (Vito tap)	Check that there is power to the solenoid valve box and the tap light is on. Please also refer to the tap user instructions.
Water coming flowing out of tundish	Water is coming out of the airgap at the top of the discharge pipe	This indicates that either the tundish is not fitted high enough within the cupboard or that the waste pipework might be clogged thus stopping water from draining properly. Check waste pipework and/or raise tundish height.
Boiling water is not hot enough	Water from the tap is not at boiling temperature	Unit is still heating, wait 15 to 20 minutes and try again. Please do remember to pour off the first bit of water before filling you cup/pan.
Strange taste	A strange taste from cold or boiling water	Please check if a filter flush has been done? Flush through 10 liters of water through each outlet (cold/hot/boiling) and try a new drink.
Cloudy water	Boiling water looks cloudy	The water from a Hotspot will be full of micro bubbles due to it being held above boiling point. Please allow 2-3 seconds for the bubbles to disperse before adding a teabag.

Appendix 1 Detailed installation: exploded views

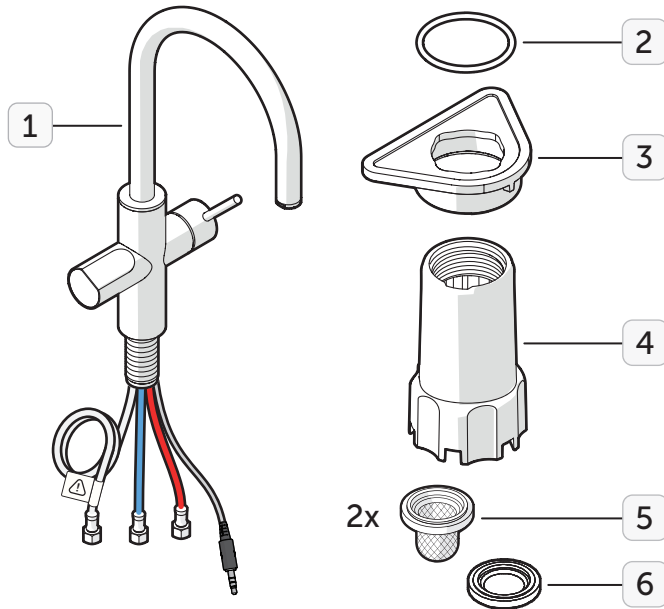
⚠ Before getting started

In this part of the manual we will give you the exploded views of the installation of the Hotspot Titanium system. We will show you how to install each part.

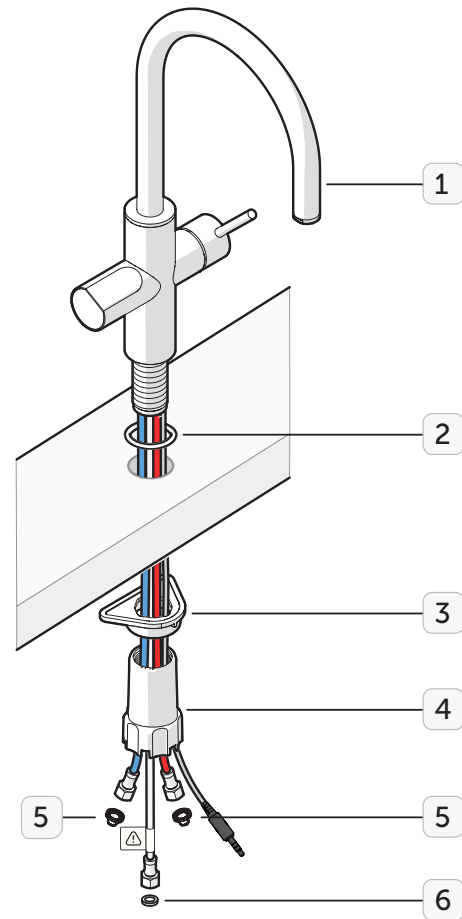
We use colors to indicate the different water hoses and their application. We use blue for cold water, orange for warm water and red for boiling water.



A Vito tap connection

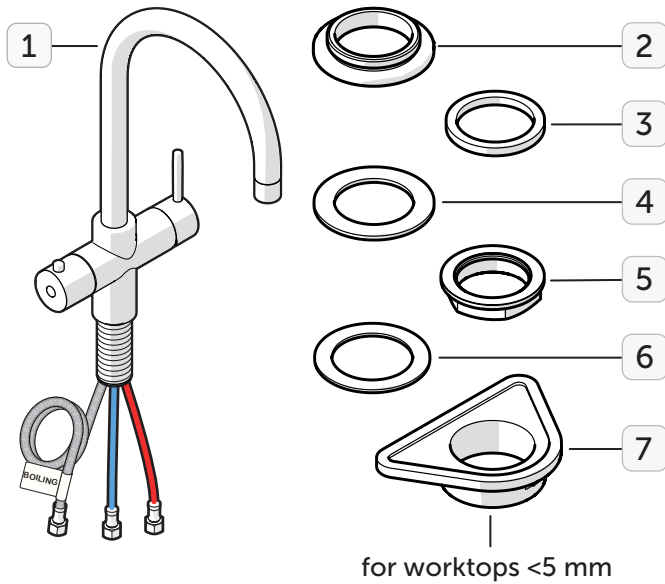


1	Vito tap
2	Flat gasket for tap base
3	Plastic tap base ring*
4	Tap locking nut
5	Filter washer for cold and warm water hose
6	Washer for boiling water hose

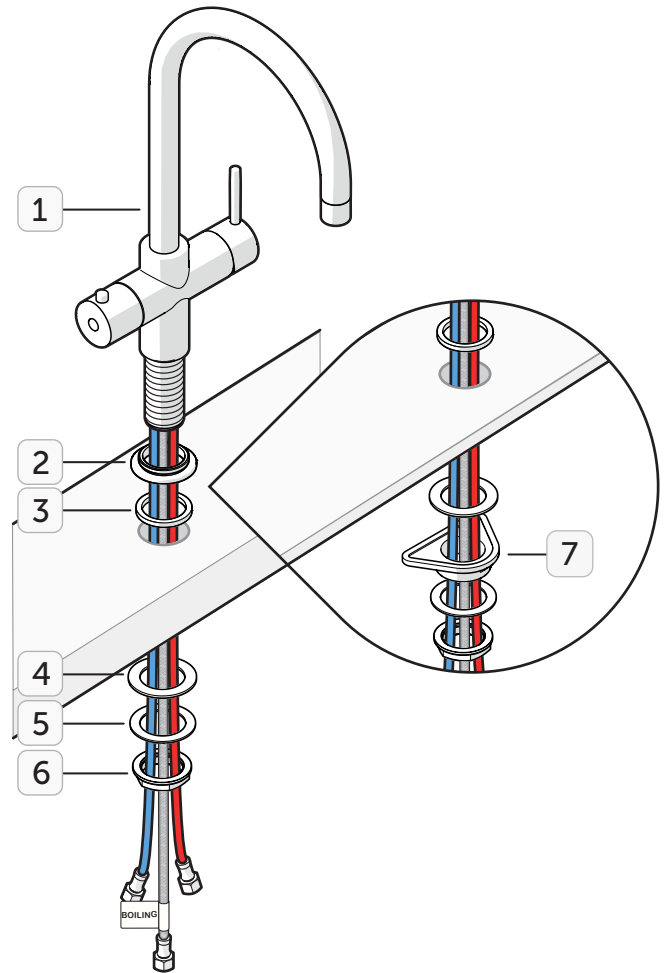


*It is important to fit the base ring straight on the tap thread

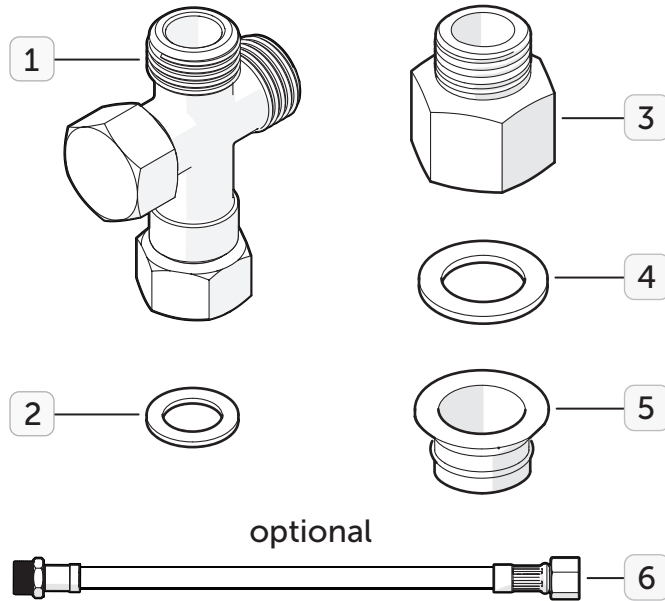
B Eleganza tap connection



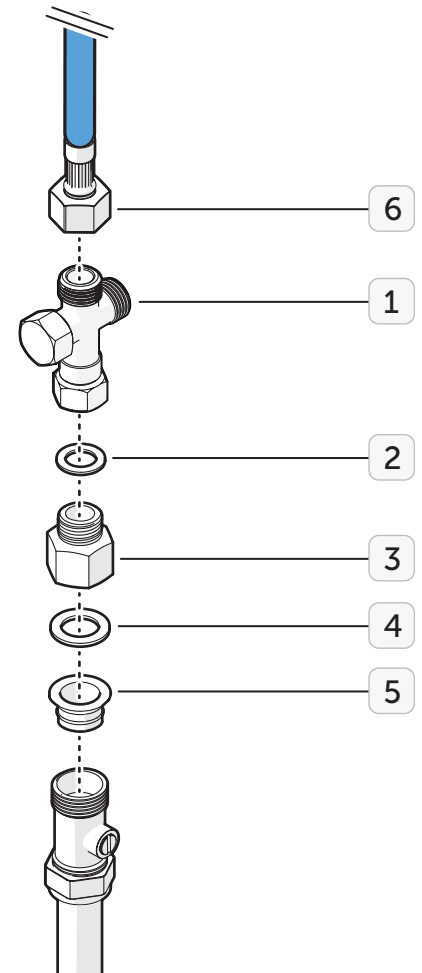
1	Eleganza tap
2	Metal tap base ring
3	Rubber tap base ring
4	Undercounter securing rubber
5	Undercounter ring
6	Locking nut
7	Stability bracket



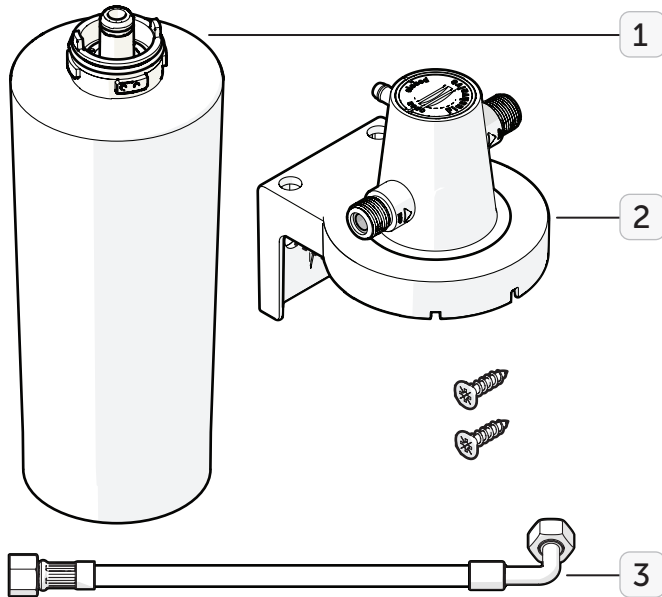
C Cold water mains connection



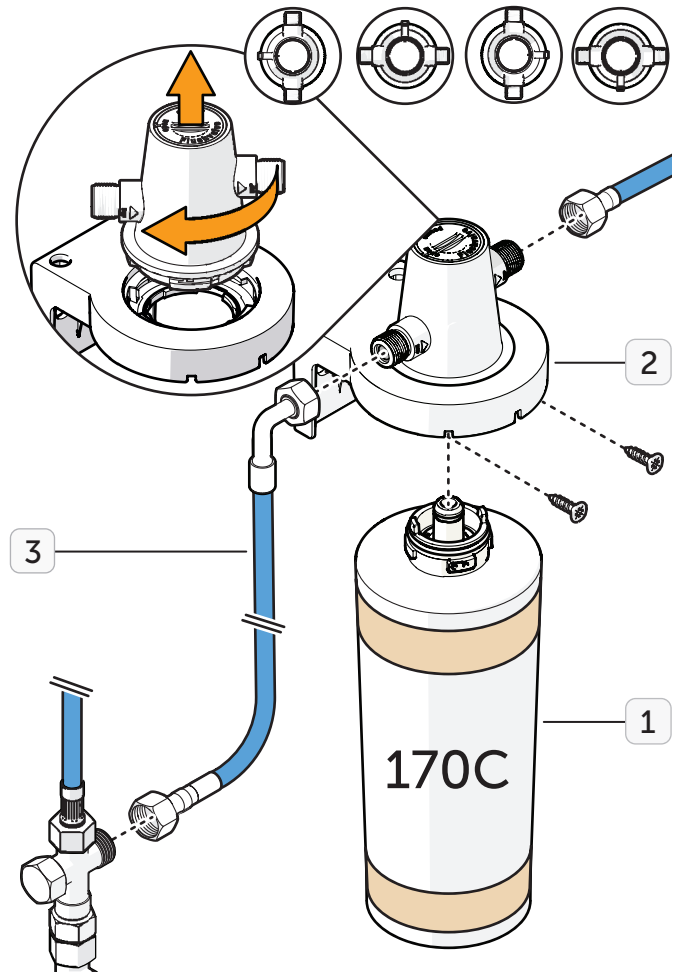
1	3/8" crosspiece FxMxMxM
2	3/8" Washer
3	1/2"FI x 3/8"MI adaptor
4	1/2" Washer
5	Flat face insert adaptor 1/2"
6	Flexi Hose 3/8"M x 3/8"F



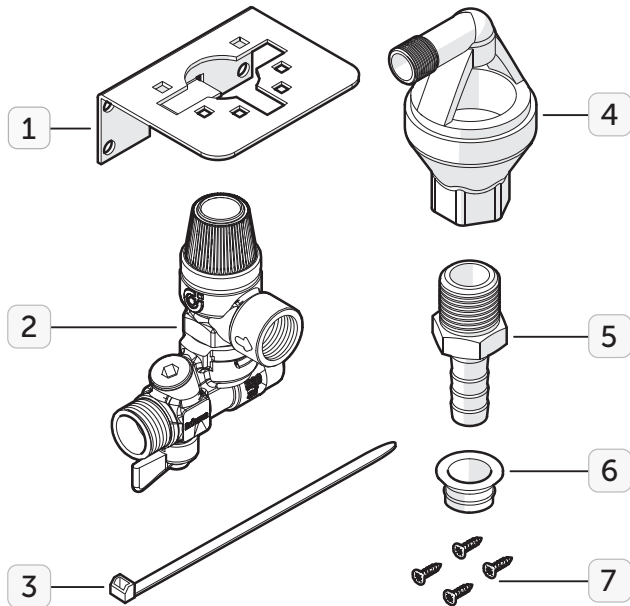
D Boiling water filter 170C



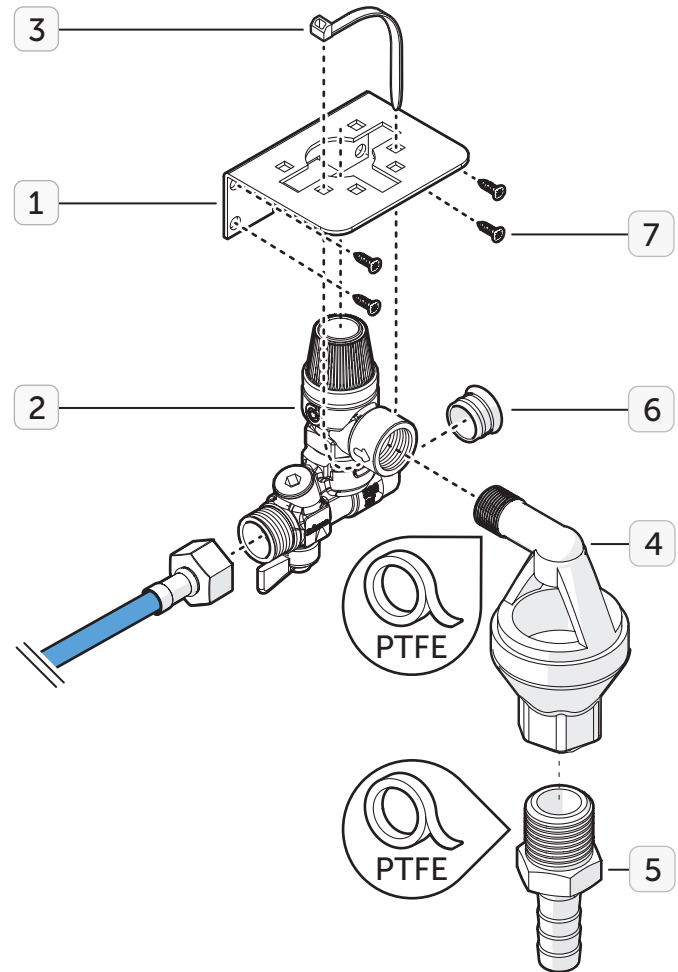
1	Water filter cartridge
2	Water filter head + bracket
3	Angled flexi hose 3/8" F – 3/8" F



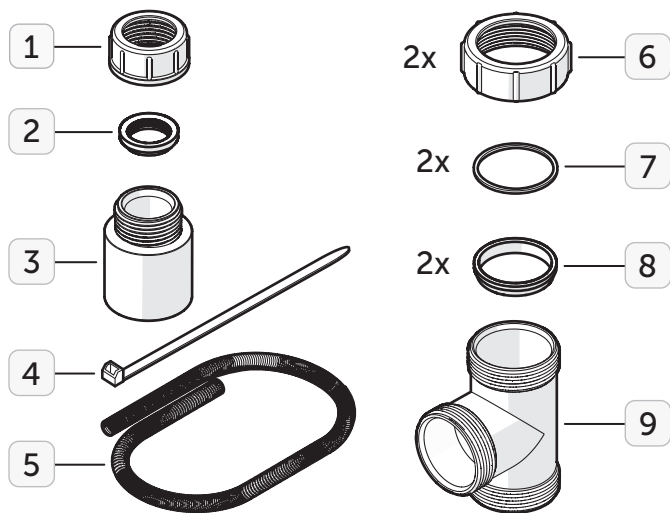
E Safety group



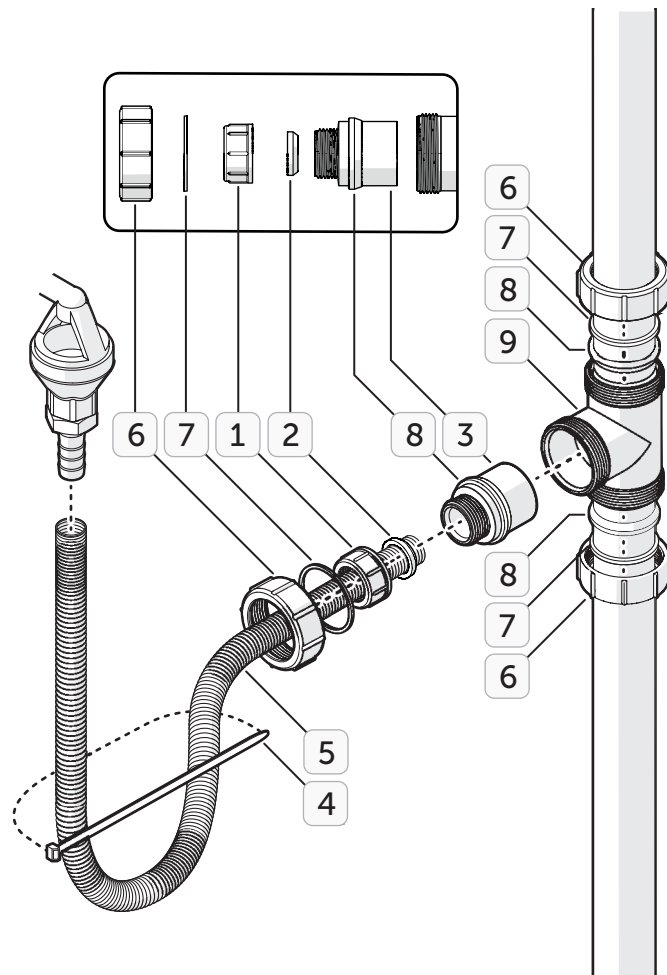
1	Mounting bracket
2	Combination valve
3	Zip-tie
4	Tundish
5	Tundish hose adaptor
6	Flat face insert adaptor 1/2"
7	Mounting screws



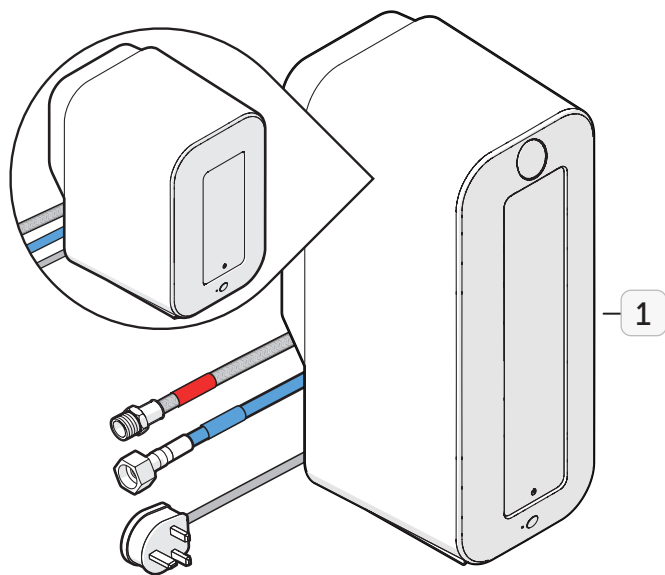
F Waste connection



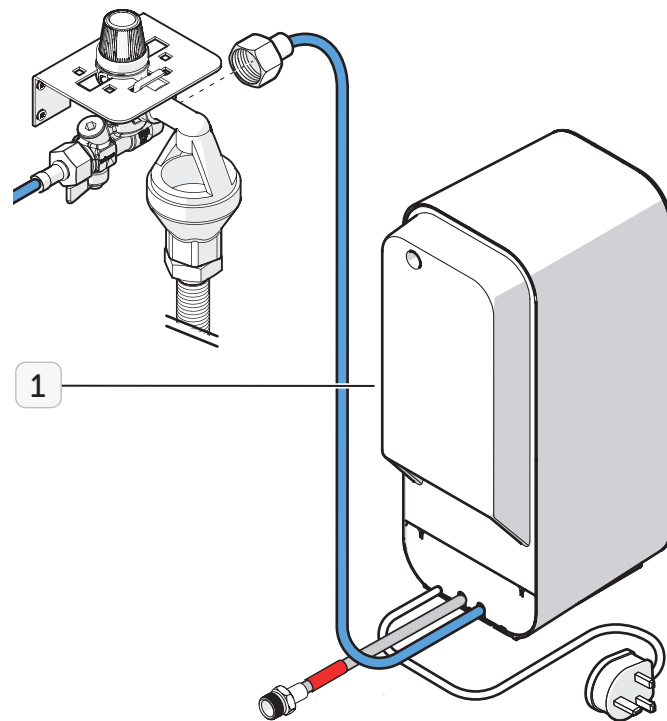
1	Condensate adaptor compression nut
2	Condensate adaptor compression rubber
3	40 mm Waste condensate adaptor
4	Zip-tie
5	Relief valve discharge hose
6	Waste tee compression nut 40 mm
7	Waste tee compression ring 40 mm
8	Waste tee compression rubber 40 mm
9	Waste tee 40 mm



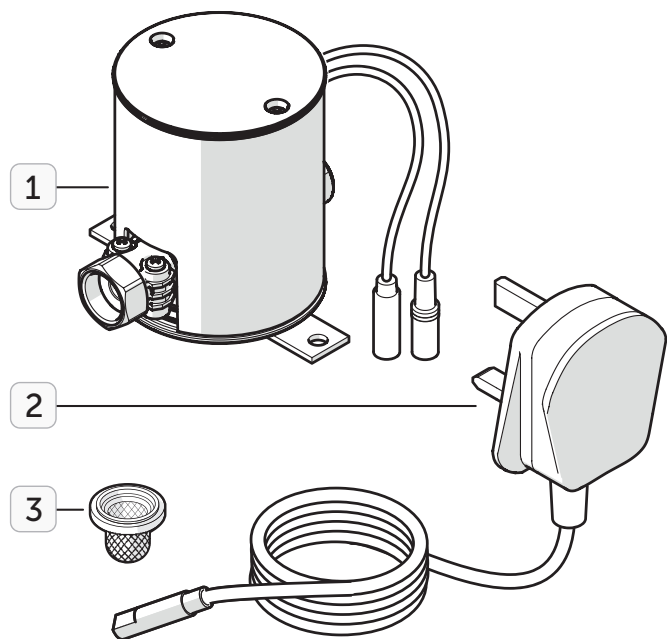
G Boiler inlet connection



1 Boiler 4L / 8L



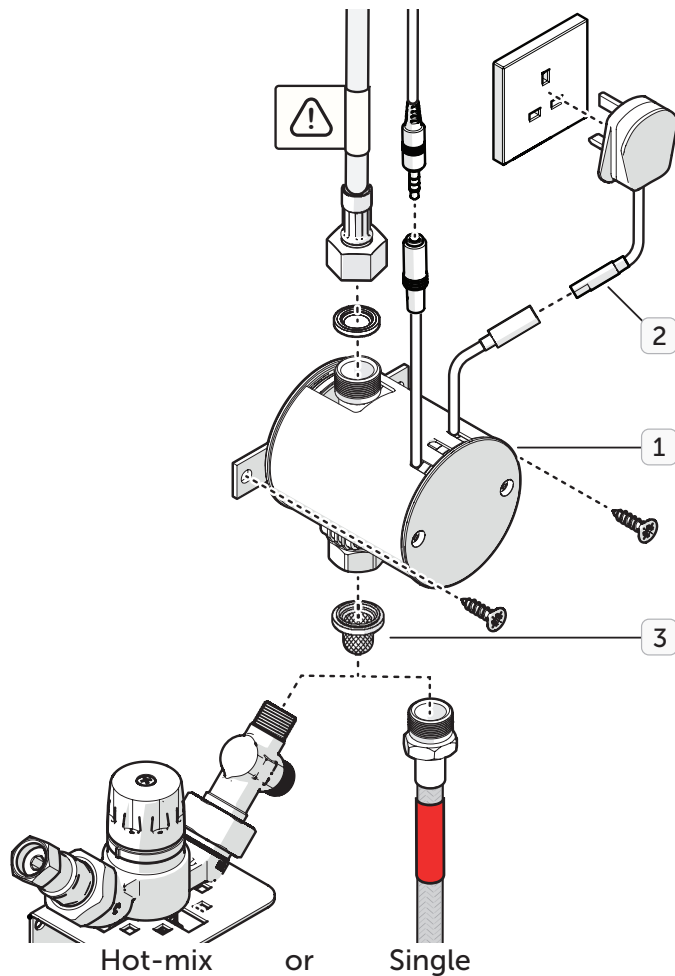
H Vito tap external valve connection



Note! Always use the pre-assembled filter washer (no. 3)

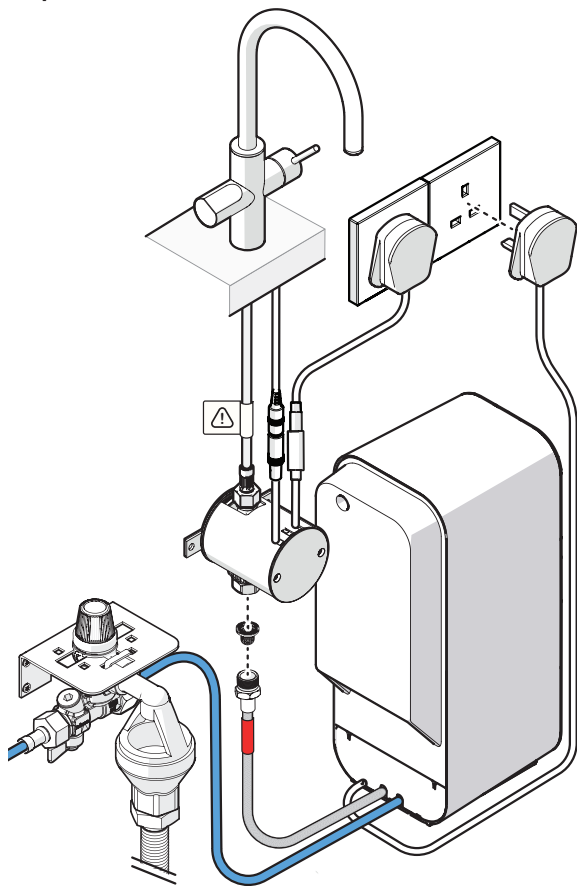
Note! Always use a water hose with flat connector to avoid damaging the included filter washer.

1	External valve
2	Power cable
3	Filter washer

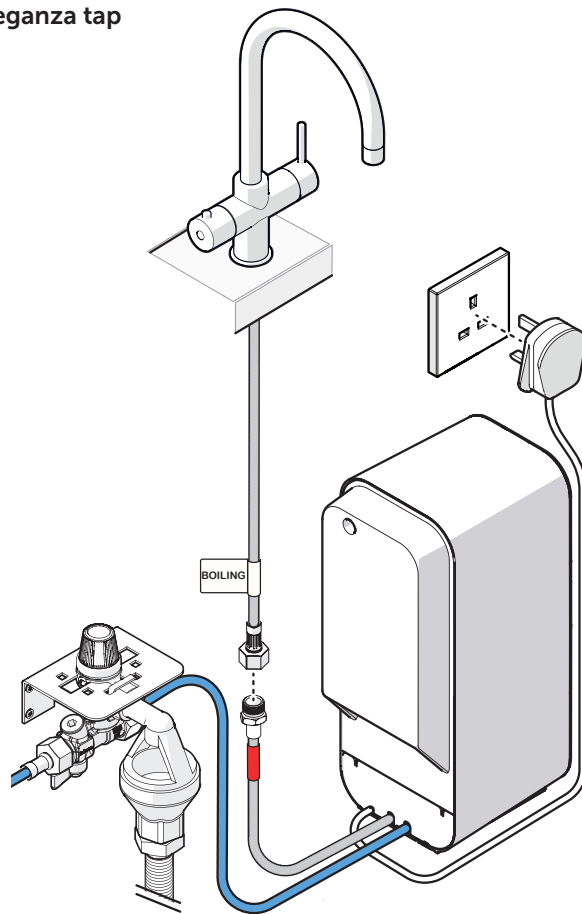


I Boiler connection single systems

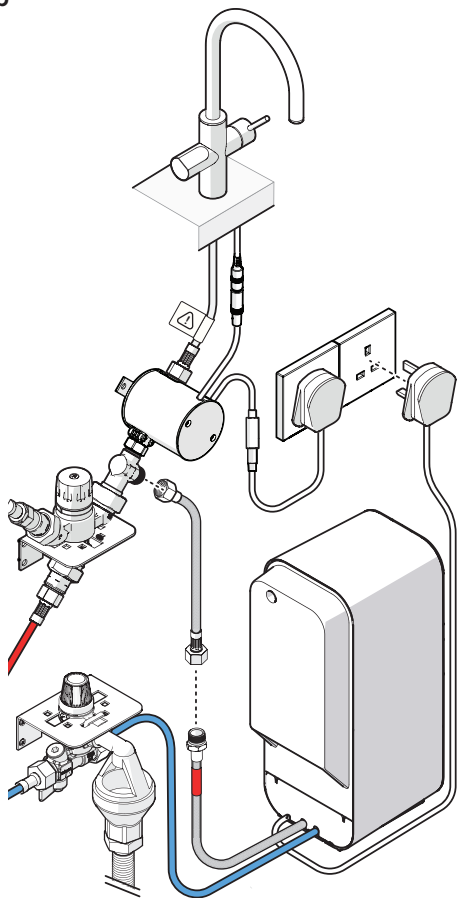
Vito tap



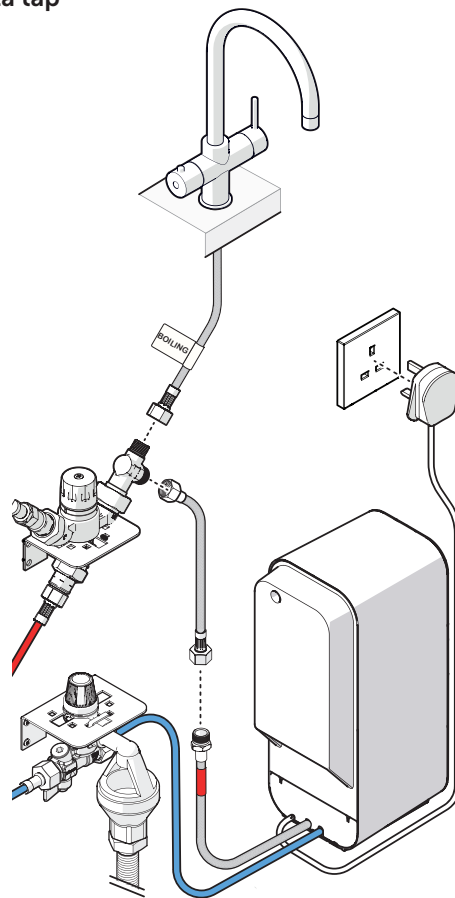
Eleganza tap



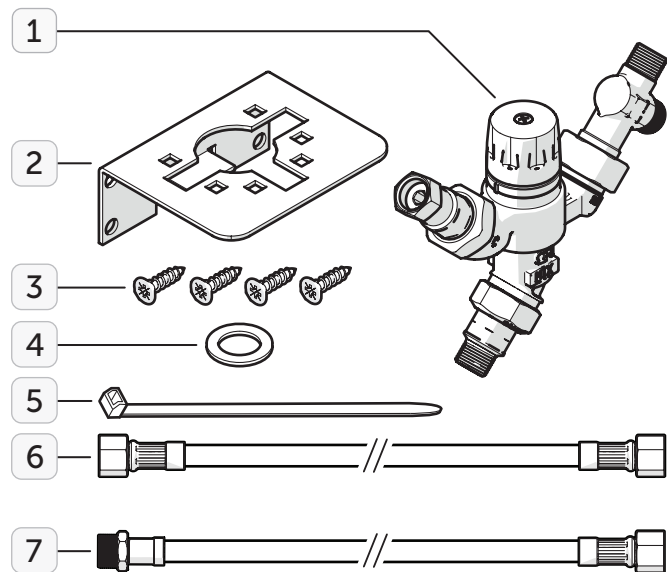
J Boiler connection hot-mix systems Vito tap



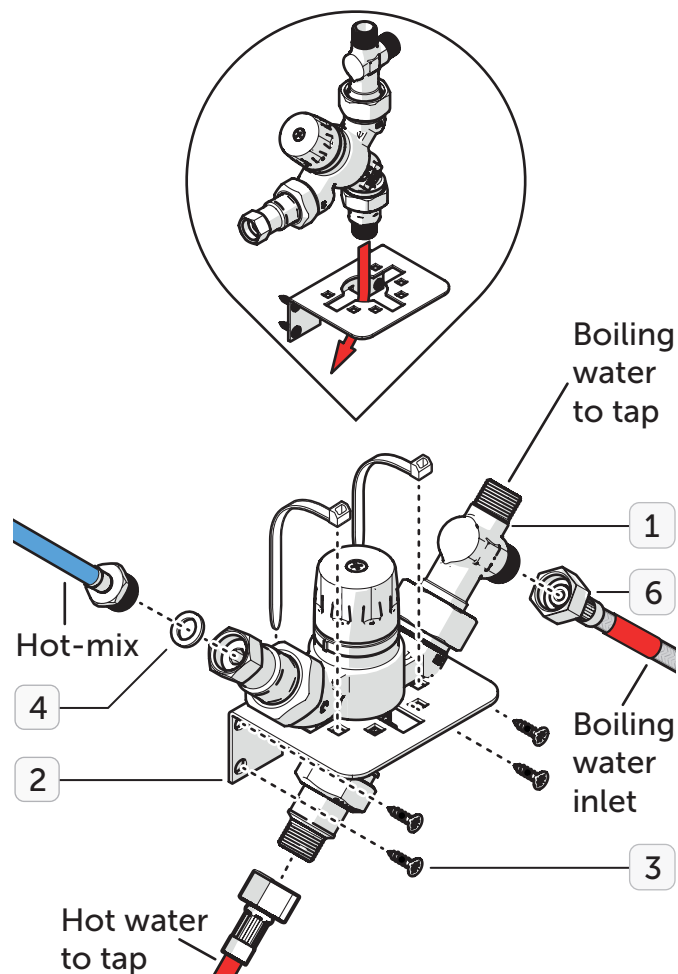
Eleganza tap



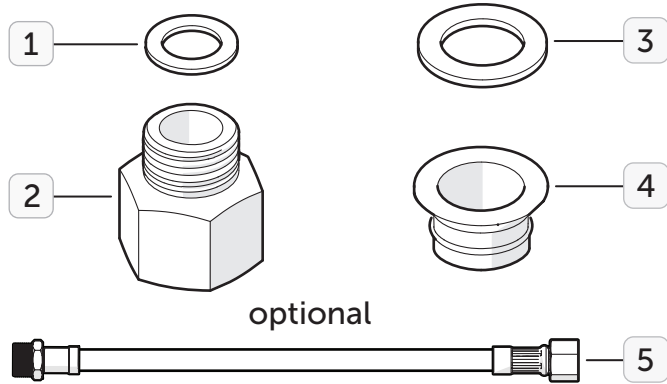
K Mixing valve connection



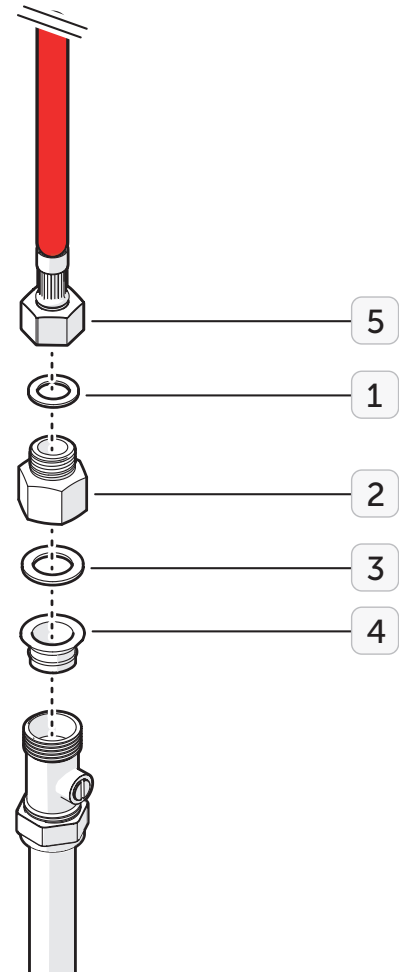
1	Mixing valve
2	Mounting bracket
3	Mounting screws (4x)
4	Washer 3/8"
5	Tie wrap
6	Boiling water hose 3/8 F x 3/8 F
7	Cold/hot water extension hose 3/8 F x 3/8 M



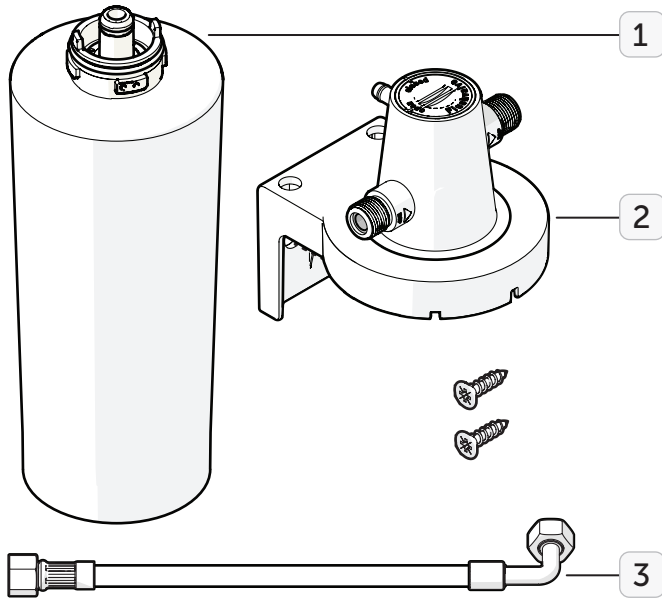
L Hot water mains connection



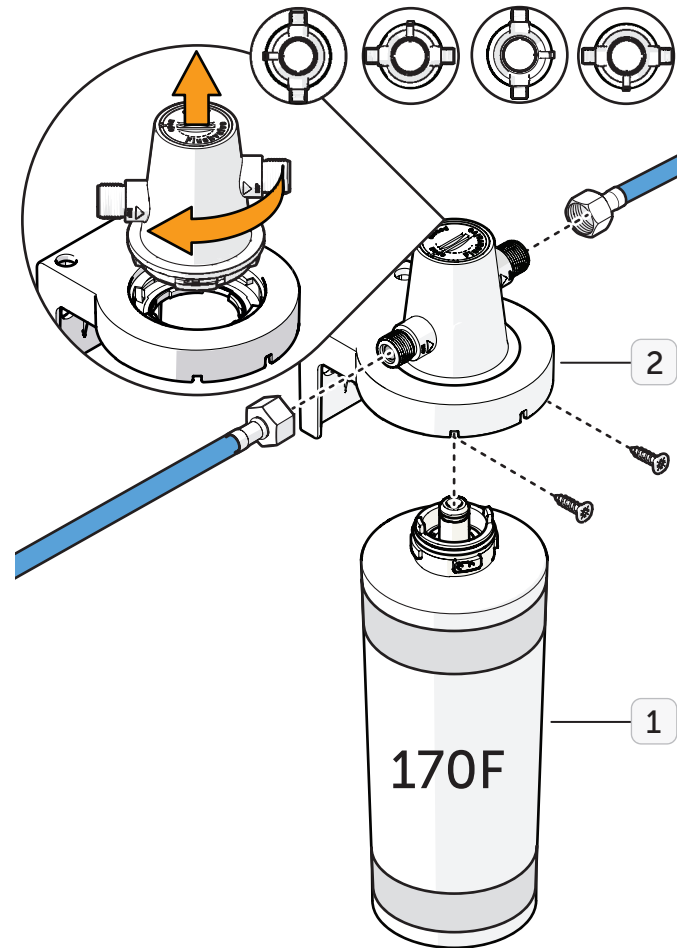
1	3/8" Washer
2	1/2"FI x 3/8"MI adaptor
3	1/2" Washer
4	Flat face insert adaptor 1/2"
5	Flexi Hose 3/8"M x 3/8"F



M Cold water filter 170F



1	Water filter cartridge
2	Water filter head + bracket
3	Angled flexi hose 3/8" F – 3/8" F

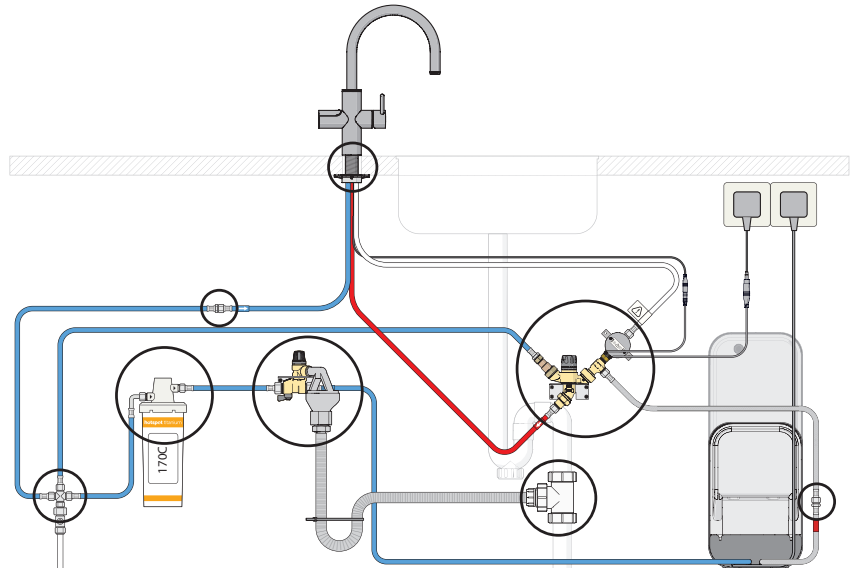
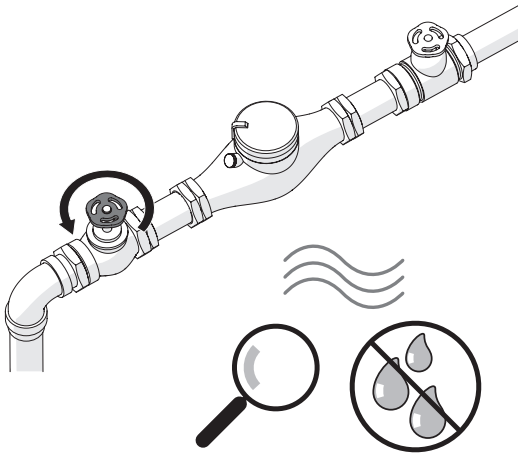


Appendix 2 Check installation

1. Open the main water supply and isolation valves and check all connections for any leaks while the base unit fills up with water.

Note! In case of a leak, close the main water supply and inspect and fix the leaking connection.

2. Once you have ensured all connections are watertight, connect the base unit to the power supply.
3. Immediately after powering the unit, dispense boiling water to vent the air from within the base unit. Do this until water runs smoothly. Now the base unit can start heating up.



Declaration of conformity

Hotspot Titanium B.V. declares, under our sole responsibility, that all our electronic faucets with article numbers: 15411010, 15411020, 15411030, 15411040, 15411050, 15411060, 15411070, 15411080 and 15411090 are manufactured in accordance with the following UK Statutory Instruments:

- Restriction of the Use of Certain Hazardous Substances in Electrical and Electronic Equipment Regulations 2012 – SI 2012 No. 3032
 - EN IEC 63000: 2018
Technical documentation for the assessment of electrical and electronic products with respect to the restriction of hazardous substances
- Electromagnetic Compatibility Regulations 2016 – SI 2016 No. 1091
 - EN IEC 61000-6-1: 2019
Electromagnetic compatibility (EMC) - Part 6-1:
Generic standards - Immunity for residential, commercial and light industrial environments
 - EN IEC 61000-6-2: 2019
Electromagnetic compatibility (EMC) - Part 6-2:
Generic standards - Immunity for industrial environments
 - EN IEC 61000-6-3: 2021
Electromagnetic compatibility (EMC) - Part 6-3:
Generic standards-Emission standard for residential, commercial and light industrial environments
 - EN IEC 61000-6-4: 2019
Electromagnetic compatibility (EMC) - Part 6-4:
Generic standards-Emission standard for industrial environments
 - EN IEC 55014-1: 2021
Electromagnetic compatibility - Requirements for household appliances, electric tools and similar apparatus - Part 1: Emission
 - EN IEC 55014-2: 2021
Electromagnetic compatibility - Requirements for household appliances, electric tools and similar apparatus - Part 2: Immunity

The Netherlands, Houten, 1 November 2023.



Jørgen Faber
Director

Declaration of conformity

Hotspot Titanium B.V. declares, under our sole responsibility, that all our water heaters with article numbers: 40134024, 40137027 and 40138028 are manufactured in accordance with the following UK Statutory Instruments:

- RoHS Regulations 2012
- The Ecodesign for Energy-Related Products and Energy Information Regulations 2019
 - EN 50440: 2016
Efficiency of electric water heaters for domestic use and test methods
- Electrical Equipment (Safety) Regulations 2016
 - EN 60335-1: 2012 + AC: 2014 + A1: 2014 + A13: 2017 + A1: 2019 + A14: 2019
Safety of household and similar electrical appliances. Part 1:
General requirements
 - EN 60335-2-21: 2003 + A1: 2005 + C1: 2007 + A2: 2008
Safety of household and similar electrical appliances. Part 1-21:
Particular requirements for water heaters
 - EN 60529: 1991 + AC: 1993 + A1: 2000 + A2: 2013
Protection classes by housing
- Electromagnetic Compatibility Regulations 2016
 - EN IEC 61000-3-2: 2019
Electromagnetic compatibility (EMC). Part 3-2: Limits for harmonic currents (device input current $\leq 16A$ per conductor)
 - EN 61000-3-3: 2013 + A1: 2019
Electromagnetic compatibility (EMC) - Part 3-3: Limitation of voltage changes, voltage fluctuations and flicker in public low-voltage supply networks
 - EN 55014-1: 2017
Electromagnetic compatibility - Requirements for household appliances, electric tools and similar apparatus - Part 1: Emission
 - EN 55014-2: 1997 + A1: 2001 + A2: 2008 + AC: 1997
Electromagnetic compatibility - Requirements for household appliances, electric tools and similar apparatus – Part 2: Immunity - Product family standard.

The Netherlands, Houten, 1 November 2023.



Jørgen Faber
Director

Declaration of conformity

Hotspot Titanium B.V. declares, under our sole responsibility, that all our electronic faucets with article numbers: 15411010, 15411020, 15411030, 15411040, 15411050, 15411060, 15411070, 15411080 and 15411090 are manufactured in accordance with the following EU directives:

- 2011/65/EU + 2015/863/EU - RoHS Directive
 - EN IEC 63000: 2018
Technical documentation for the assessment of electrical and electronic products with respect to the restriction of hazardous substances
- 2014/30/EU - EMC Directive
 - EN IEC 61000-6-1: 2019
Electromagnetic compatibility (EMC) - Part 6-1:
Generic standards - Immunity for residential, commercial and light industrial environments
 - EN IEC 61000-6-2: 2019
Electromagnetic compatibility (EMC) - Part 6-2:
Generic standards - Immunity for industrial environments
 - EN IEC 61000-6-3: 2021
Electromagnetic compatibility (EMC) - Part 6-3:
Generic standards-Emission standard for residential, commercial and light industrial environments
 - EN IEC 61000-6-4: 2019
Electromagnetic compatibility (EMC) - Part 6-4:
Generic standards-Emission standard for industrial environments.

The Netherlands, Houten, 1 November 2023.



Jørgen Faber
Director

Declaration of conformity

Hotspot Titanium B.V., Kaagschip 25, 3991CS Houten, The Netherlands, declares, under our sole responsibility, that all our water heaters with article numbers: 40134014, 40137017 & 40138018 are manufactured in accordance with the following EU directives:

- 2011/65/EU - RoHS Directive
- EU 2017/1369 – Energy Labelling: EN 50440: 2016 Efficiency of electric water heaters for domestic use and test methods
- 2014/35/EU – Low Voltage Directive
 - EN 60335-1: 2012 + AC: 2014 + A11: 2014 + A13: 2017 + A1: 2019 + A14: 2019 Safety of household and similar electrical appliances. Part 1: General requirements
 - EN 60335-2-21: 2003 + A1: 2005 + C1: 2007 + A2: 2008 Safety of household and similar electrical appliances. Part 1-21: Particular requirements for water heaters
 - EN 60529: 1991 + AC: 1993 + A1: 2000 + A2: 2013 Protection classes by housing
- 2014/30/EU - EMC Directive
 - EN IEC 61000-3-2: 2019
Electromagnetic compatibility (EMC). Part 3-2: Limits for harmonic currents (device input current $\leq 16A$ per conductor)
 - EN 61000-3-3: 2013 + A1: 2019
Electromagnetic compatibility (EMC) - Part 3-3: Limitation of voltage changes, voltage fluctuations and flicker in public low-voltage supply networks
 - EN 55014-1: 2017
Electromagnetic compatibility - Requirements for household appliances, electric tools and similar apparatus - Part 1: Emission
 - EN 55014-2: 2015
Electromagnetic compatibility - Requirements for household appliances, electric tools and similar apparatus - Part 2: Immunity - Product family standard.

The Netherlands, Houten, 1 November 2023.



Jørgen Faber
Director

hotspot titanium

www.hotspot-titanium.co.uk