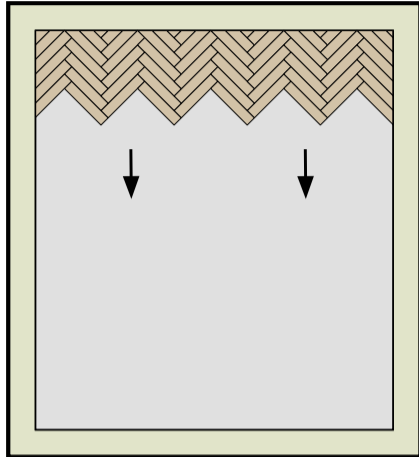
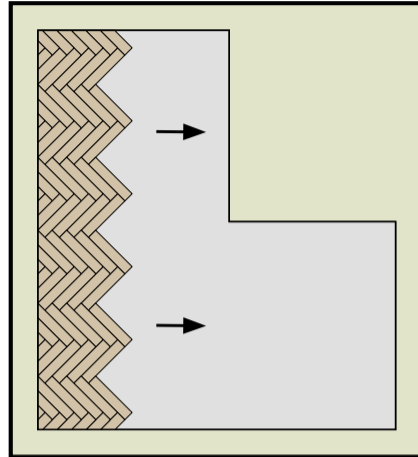


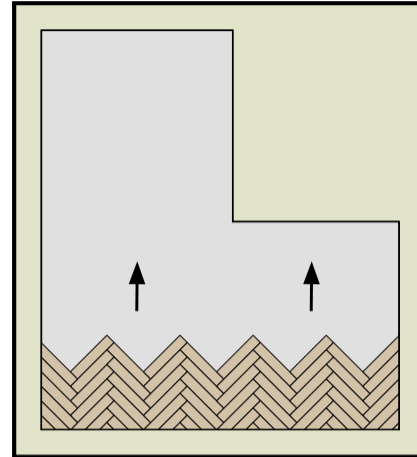
## Benötigte Menge · Required quantity



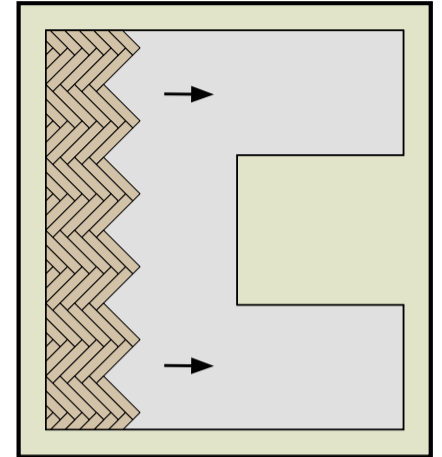
m<sup>2</sup> + 5%



m<sup>2</sup> + 10%

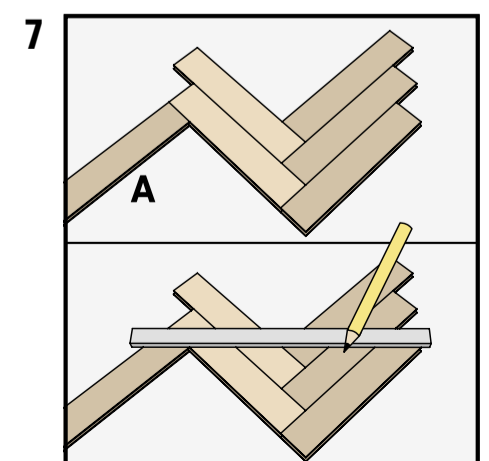
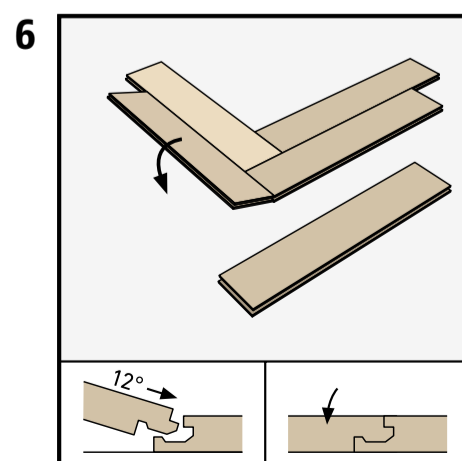
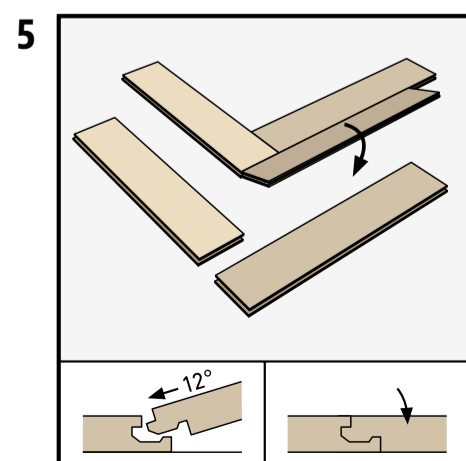
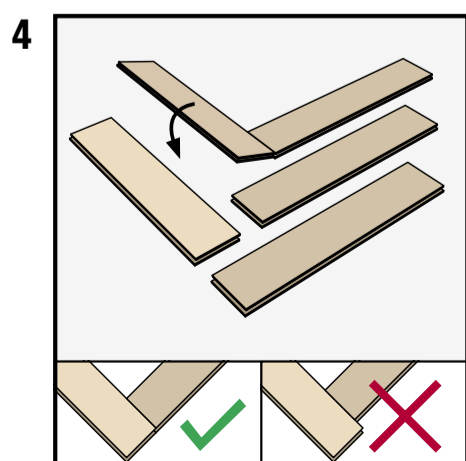
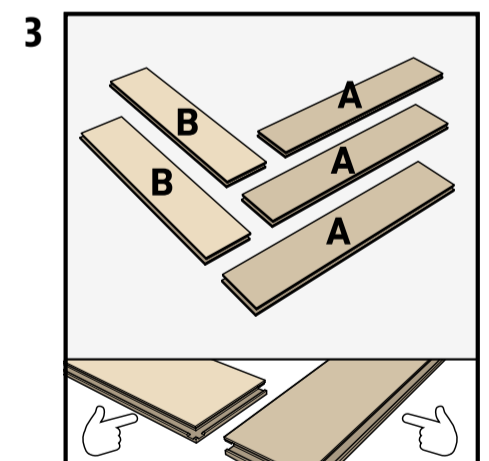
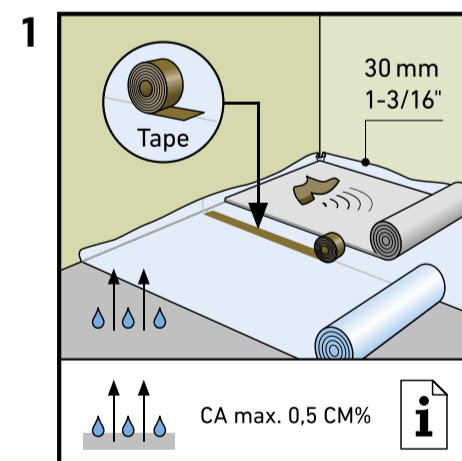
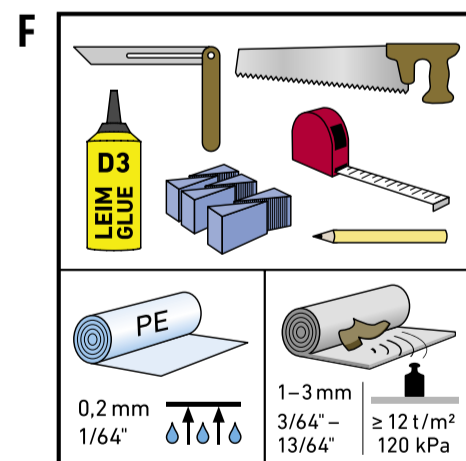
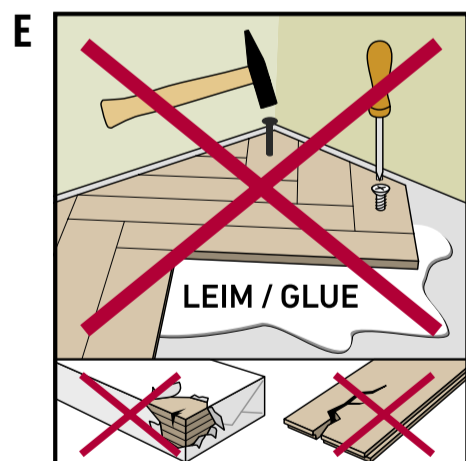
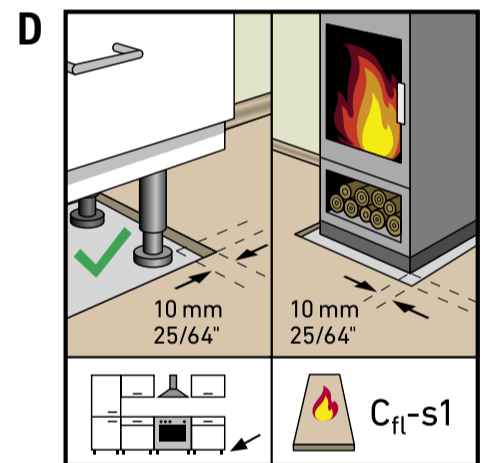
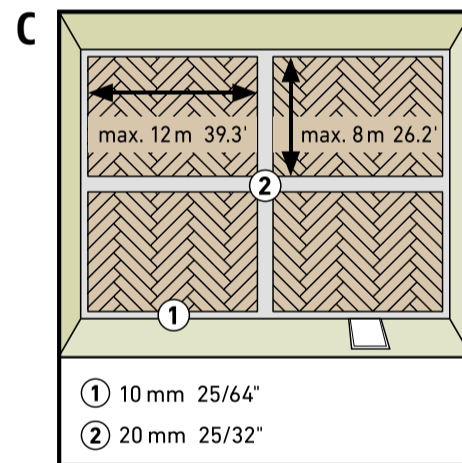
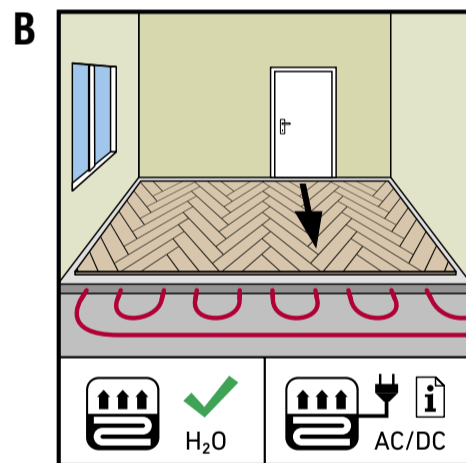
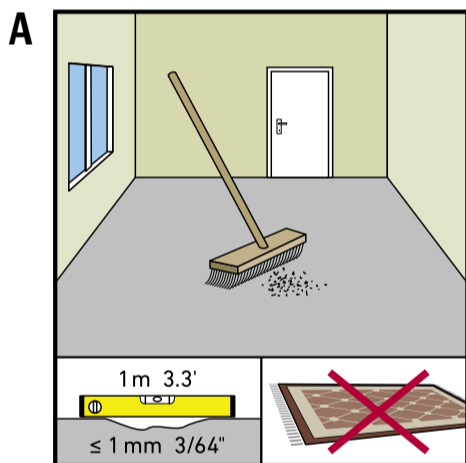


m<sup>2</sup> + 10%



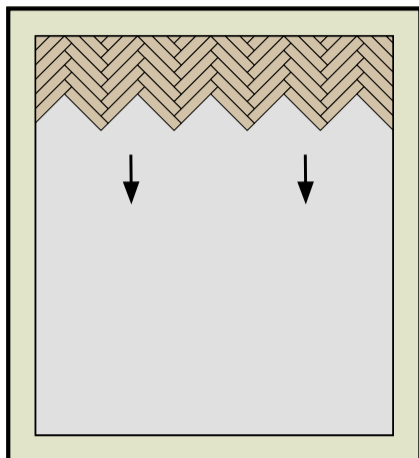
m<sup>2</sup> + 15%

## Verlegung · Installation

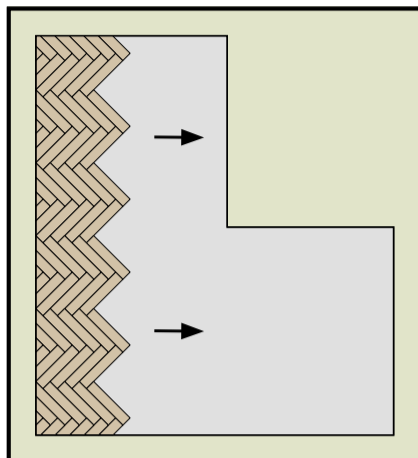
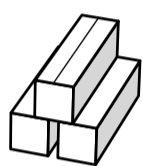


# HERRINGBONE

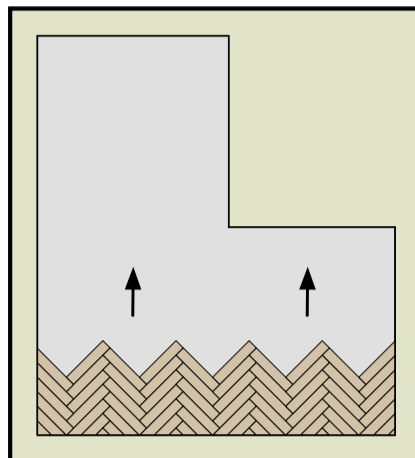
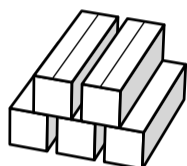
More Information:  
swisskrono.de/herringbone



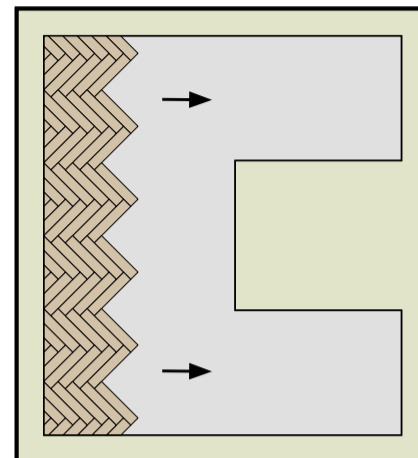
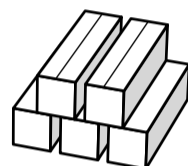
$m^2 + 5\% =$



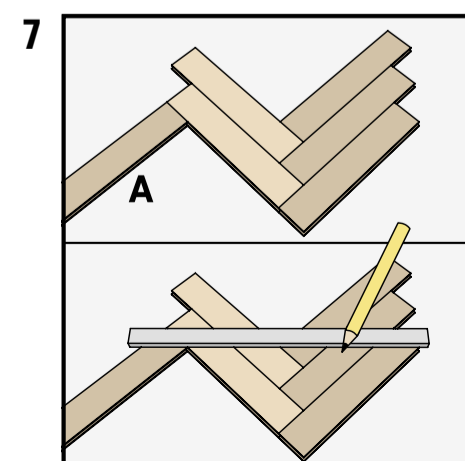
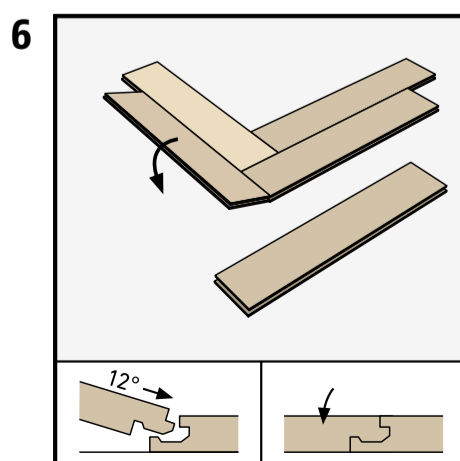
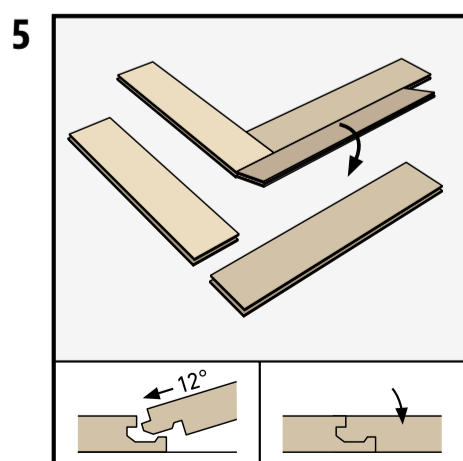
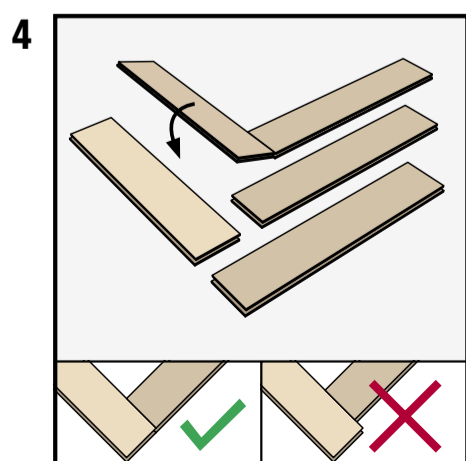
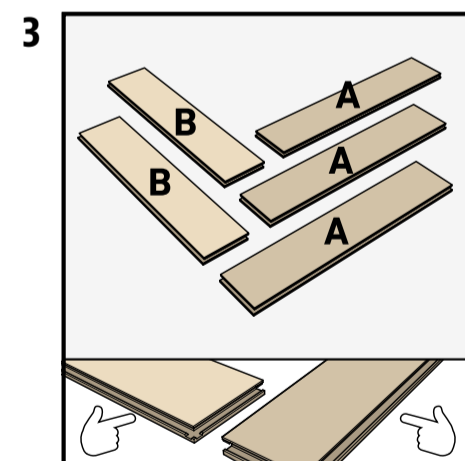
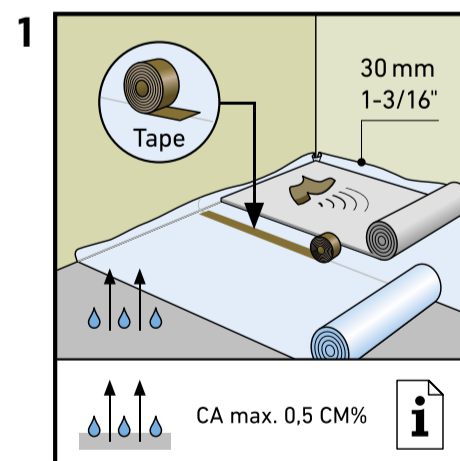
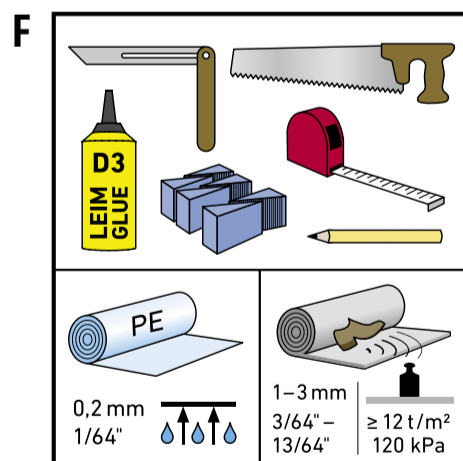
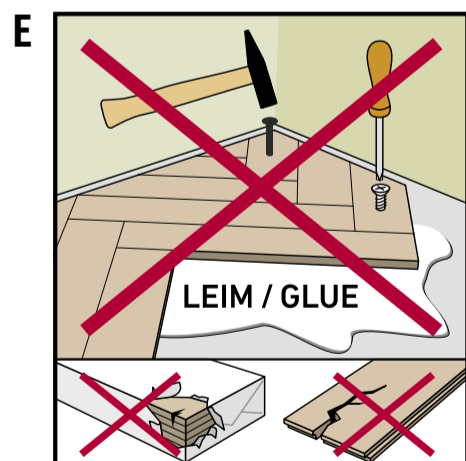
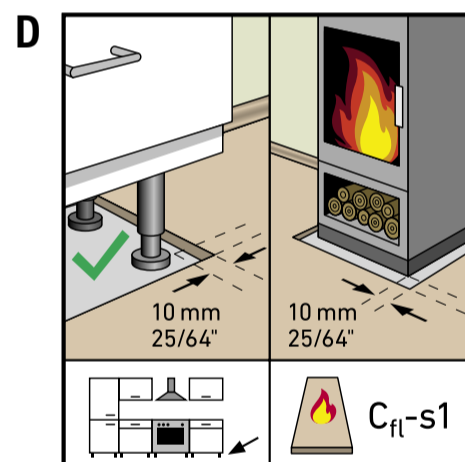
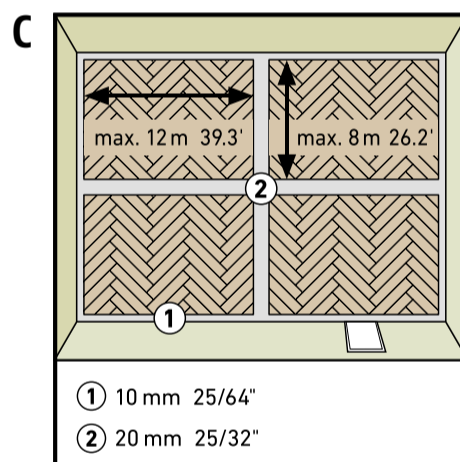
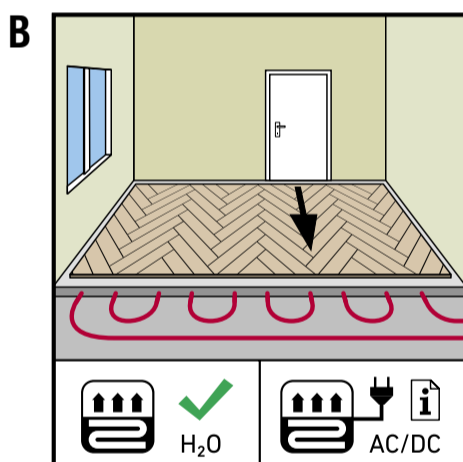
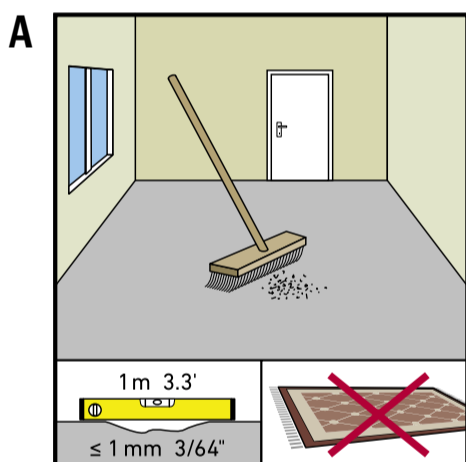
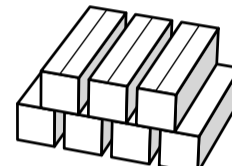
$m^2 + 10\% =$



$m^2 + 10\% =$

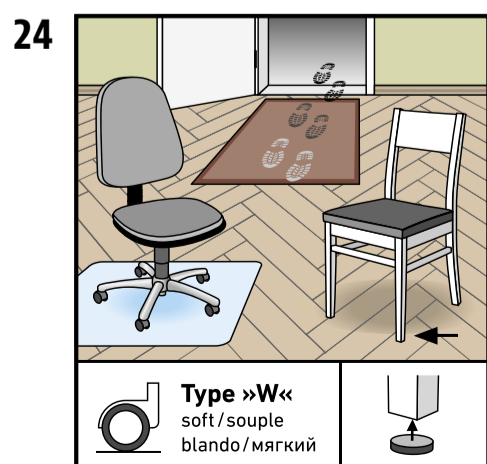
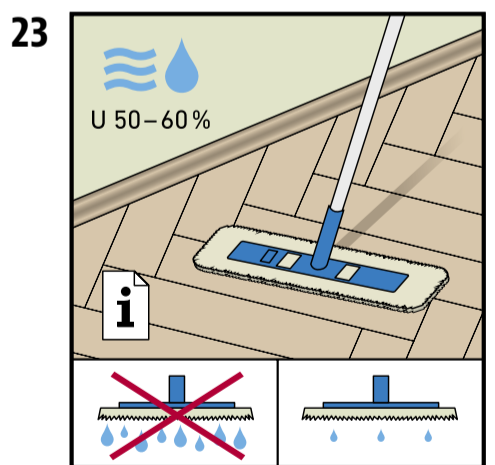
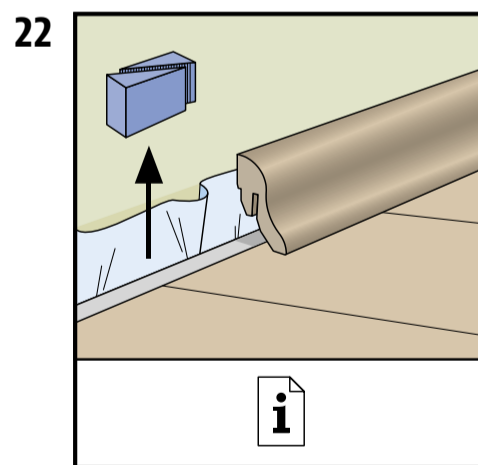
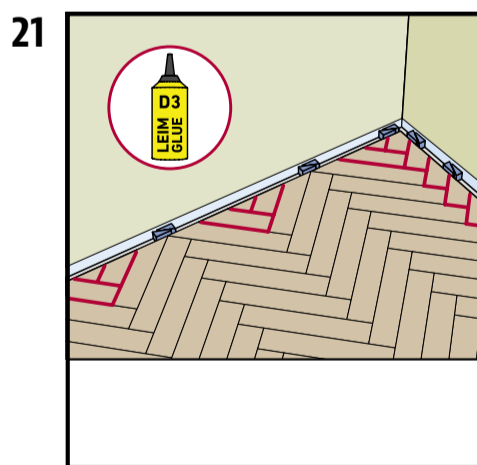
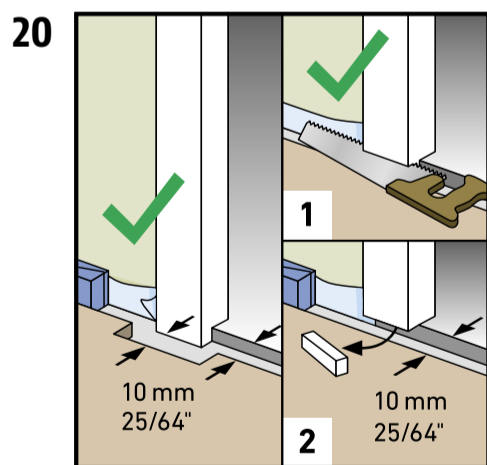
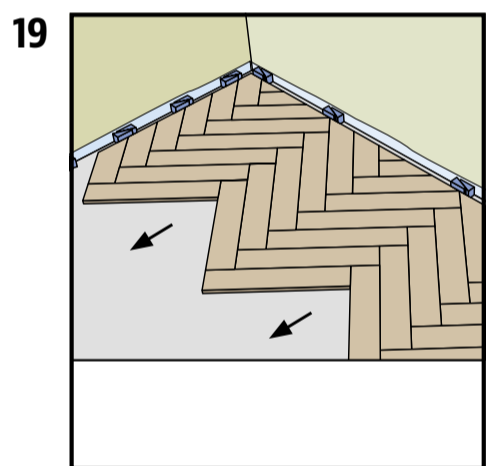
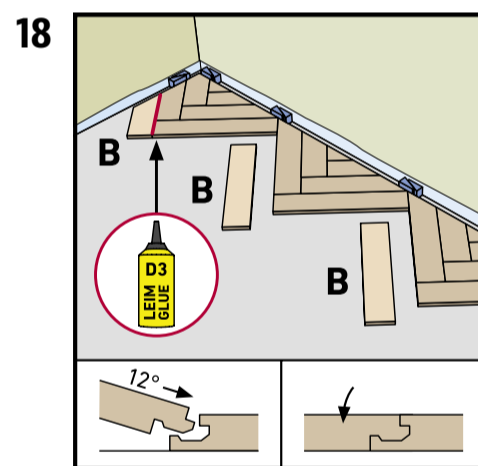
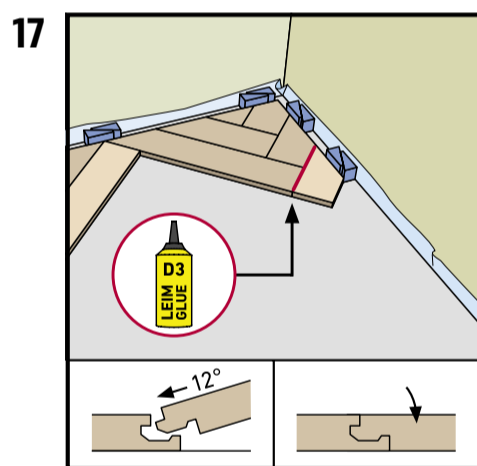
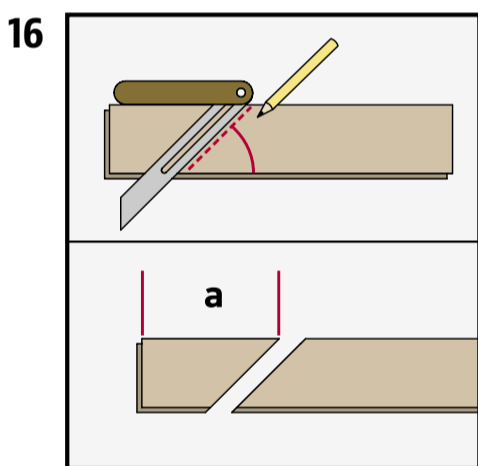
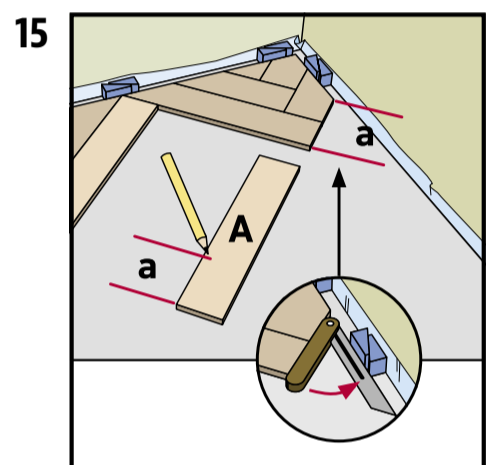
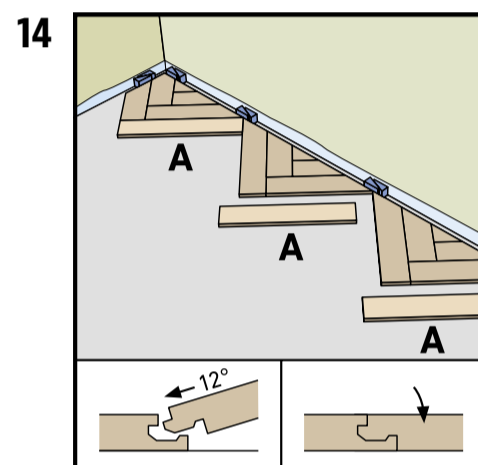
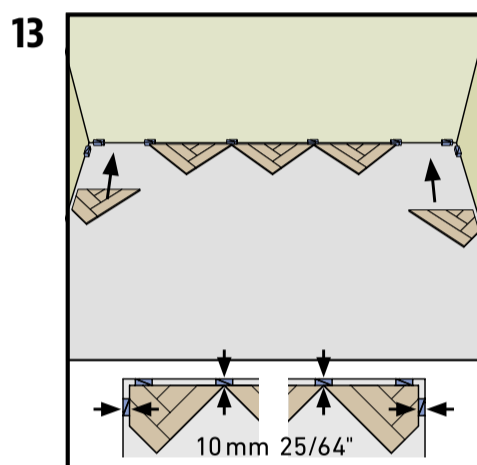
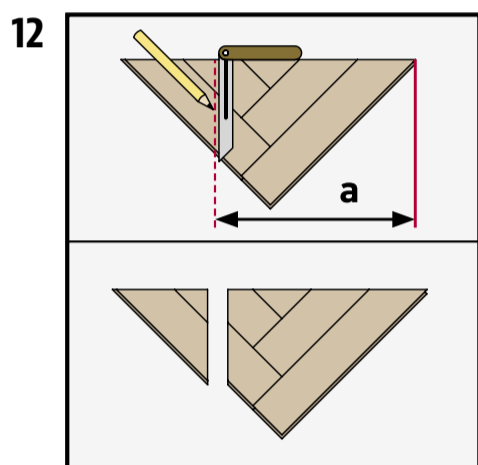
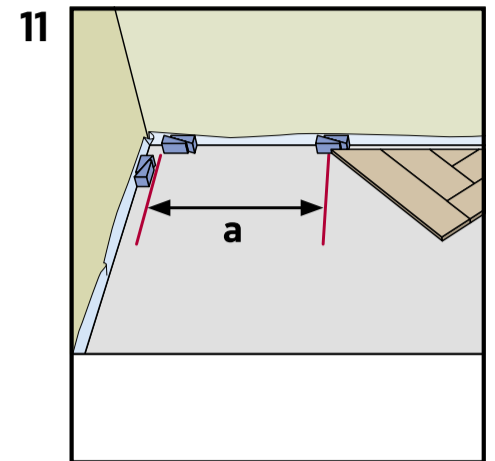
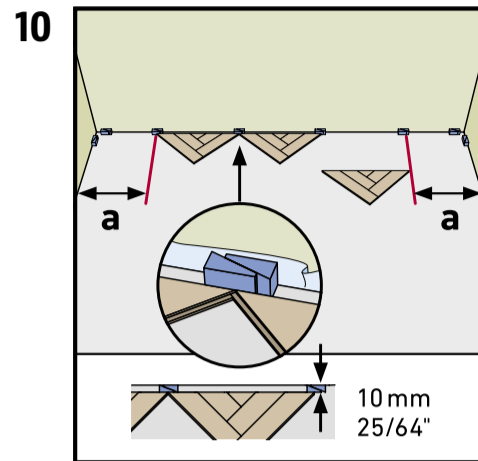
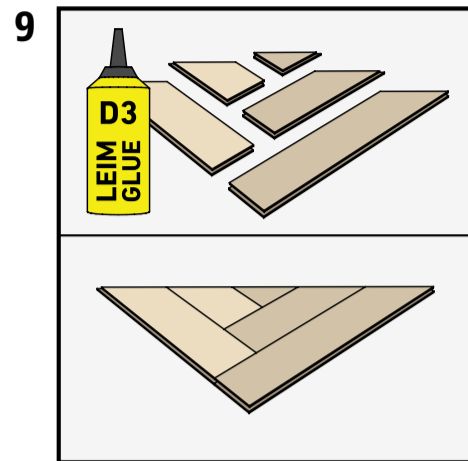
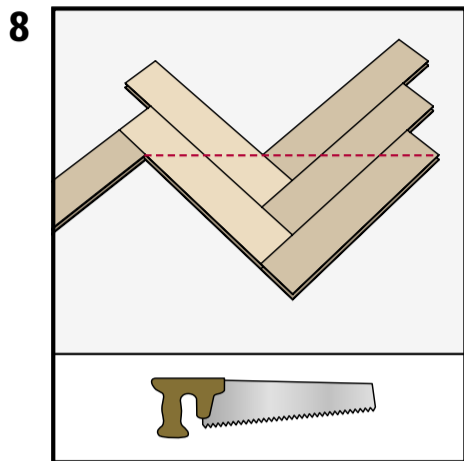


$m^2 + 15\% =$



# HERRINGBONE

More Information:  
swisskrono.de/herringbone



Type »W«  
soft/souple  
blando/мягкий