

SAMSUNG

FJM

Technical Data Book

**Free Joint Multi for Europe
(R32, 50Hz, HP)**



Model : Outdoor unit (AJ***TXJ*KG/EU)

Indoor unit (Wall-mounted, Wind-Free 1Way Cassette, Wind-Free 4Way Cassette(600x600), Duct, Console)

History

Version	Modification	Date	Remark
Ver.1.0	Released FJM for Europe TDB (New Protocol)	19.11.29	
Ver.2.0	Updated the RAC/Duct/Console Line up	20.02.28	
Ver.2.1	Updated the capacity table and some errors	20.03.25	
Ver.2.2	Updated the sound data and some errors	20.06.12	

Nomenclature

Outdoor Unit

Model Name

AJ	050	N	C	J	2	E	G	/	EU
(1)	(2)	(3)	(4)	(5)	(6)	(7)	(8)		Buyer

(1) Classification

AC	CAC
AM	DVM
AJ	FJM (Free Joint Multi)
AE	EHS

(2) Capacity

X1/10 kW (3 digits)

(3) Version

R	2019
T	2020

(4) Product Type

S	SET (NASA)
N	Indoor Unit (NASA)
X	Outdoor Unit (NASA)
A	SET (Non NASA)
B	Indoor Unit (Non NASA)
C	Outdoor Unit (Non NASA)

(5) Product Notation

J	Free Joint Multi
P	Pack Multi
H	DVM Home

(6) Feature

2	2 Room
3	3 Room
4	4 Room
5	5 Room

(7) Rating Voltage

A	115V, 60Hz
B	220V, 60Hz
C	208~230V, 60Hz
D	200~220V, 50Hz
E	220~240V, 50Hz
K	220~240V, 50/60Hz

(8) Mode

C	Cooling Only (R410A)
H	Heat Pump (R410A)
F	Cooling Only (R32)
G	Heat Pump (R32)

Nomenclature

Indoor Unit

Wall Mounted Type

Model Name

AR	09	T	X	F	C	A	WK	N	EU
(1)	(2)	(3)	(4)	(5)	(6)	(7)	(8)	(9)	Buyer

(1) Classification

AR	RAC
-----------	-----

(2) Capacity

x1000 Btu/h

(3) Year

T	2020
----------	------

(4) Product Type

X	INVERTER HP R32
----------	-----------------

(5) Characteristics

C	Motion Detect Sensor +Wi-Fi + Tri-care Filter
E	Wi-Fi + Tri-care Filter
F	Wi-Fi
H	-

(6) Design Segment

A	Wind-Free GEO
C	Wind-Free AIRISE
Y	GEO
Z	AIRISE

(7) Version

A-Z (1 digit)

(8) Color

WK	DA White
-----------	----------

(9) Set

N	Indoor Unit
X	Outdoor Unit
/	Set

Nomenclature

Indoor Unit

1Way Cassette, 4Way Cassette(600x600), Duct, Console Type

Model Name

AJ	026	R	B	1	D	E	G	/	EU
(1)	(2)	(3)	(4)	(5)	(6)	(7)	(8)		Buyer

(1) Classification

AC	CAC
AM	DVM
AJ	FJM (Free Joint Multi)
AE	EHS

(2) Capacity

X1/10 kW (3 digits)

(3) Version

R	2019
T	2020

(4) Product Type

S	SET (NASA)
N	Indoor Unit (NASA)
X	Outdoor Unit (NASA)
A	SET (Non NASA)
B	Indoor Unit (Non NASA)
C	Outdoor Unit (Non NASA)

(5) Product Notation

1	(Wind-Free) 1Way Cassette
N	(Wind-Free) 4Way Cassette (600x600)
L	Slim Duct
M	MSP Duct
J	Console

(6) Feature

D	DELUXE
----------	--------

(7) Rating Voltage

A	115V, 60Hz
B	220V, 60Hz
C	208~230V, 60Hz
D	200~220V, 50Hz
E	220~240V, 50Hz
K	220~240V, 50/60Hz

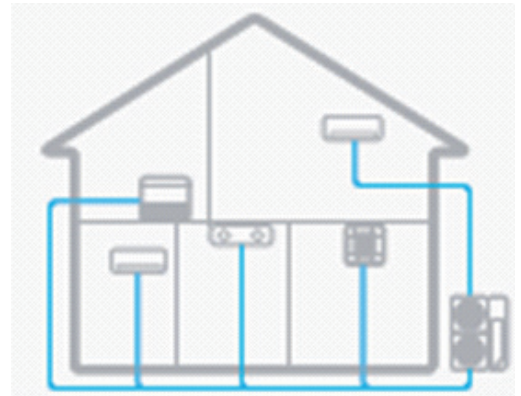
(8) Mode

C	Cooling Only (R410A)
H	Heat Pump (R410A)
F	Cooling Only (R32)
G	Heat Pump (R32)

Features & Benefits

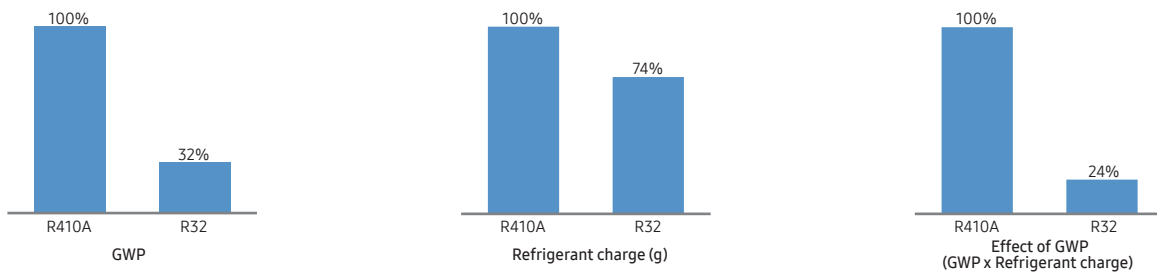
Universal Connection

A single outdoor unit supporting up to five indoor units, the FJM system is ideal for residential spaces with multiple rooms to increase space efficiency.



New refrigerant R32

We use R-32 and reduce Refrigerant charge, so we can reduce the global warming potential and protect our Earth.



<A Comparison between R410A and R32 of FJM 5kW outdoor>

Setting to Cool or Heat only mode

This function enables the indoor units connected to the outdoor unit to operate in a specific mode. When you want to operate all indoor units with the cooling mode or heating mode.

Auto addressing & Auto pipe inspection

It can automatically set the address of the indoor unit and inspect pipes with one push of the button. Installation is very simple.

Samsung Smart Home

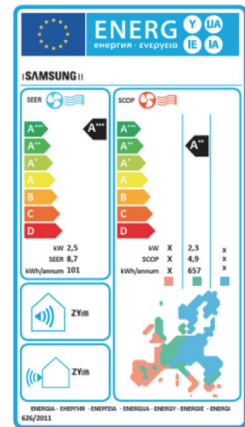
Control the FJM with only one application. This feature is optional to the several models



Features & Benefits

Top-class energy efficiency A+++

Featuring a suite of energy-optimizing technologies, Samsung FJM delivers top-class energy efficiency to support businesses in saving costs and the environment



Power improvement mode

The power improvement mode has the following power reduction effects.





- Reduced power at Thermo off
 - When the air conditioner operates in Cool, Dry, and Auto mode, if Thermo off is reached during cooling, the fan and display of the indoor unit are turned off after 5 minutes
 - When you operates the remote control, the indoor unit display turns on again.
- Standby mode operation
 - When all indoor units are turned off, the air conditioner recognizes it and enters the standby mode.
 - The product power consumption in the standby mode is 3.5 W or less.

Contents


































1. Line-up	9
2. Specification	11
3. Electric Characteristics	43
4. Combination Table	44
5. Dimensional Drawing	57
6. Center of Gravity	70
7. Electrical Wiring Diagram	75
8. Sound Data	84
9. Fan Characteristics (PQ curve)	110
10. Operation Range	113
11. Piping Diagram	114
12. Capacity Table	121
13. Installation	301

1. Line-up

1-1. Outdoor units












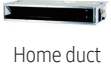


Capacity (kW)	4	5	5.2	6.8 / 8	10.0
Image					
Model	AJ040TXJ2KG/EU	AJ050TXJ2KG/EU	AJ052TXJ3KG/EU	AJ068TXJ3KG/EU AJ080TXJ4KG/EU	AJ100TXJ5KG/EU

1-2. Indoor units

Capacity (kW) / Type	1.6	2.0	2.5	2.6	3.5	5.0	5.2	6.5
AR4500 (AIRISE)								
AR5500 (GEO)								
AR9500 (Wind-Free AIRISE)								
AR9500 (Wind-Free GEO)								
Wind-Free 1Way CASSETTE								
Wind-Free 4Way CASSETTE (600x600)								
Home duct								
								
Console								

1. Line-up

1-3. Combination Table (Outdoor-Indoor)

Indoor Unit		Outdoor Unit		Model					
		Model							
Model		Capacity (kW)	AJ040TXJ2KG/EU	AJ050TXJ2KG/EU	AJ052TXJ3KG/EU	AJ068TXJ3KG/EU	AJ080TXJ4KG/EU	AJ100TXJ5KG/EU	
	AR07/09/12/18/24TXHZAWKNEU	2.0	●	●	●	●	●	●	
		2.5	●	●	●	●	●	●	
		3.5	●	●	●	●	●	●	
		5.0		●	●	●	●	●	
		6.5					●	●	
	AR07/09/12/18/24TXFYAWKNEU	2.0	●	●	●	●	●	●	
		2.5	●	●	●	●	●	●	
		3.5	●	●	●	●	●	●	
		5.0		●	●	●	●	●	
		6.5					●	●	
	AR07/09/12/18/24TXFCAWKNEU	2.0	●	●	●	●	●	●	
		2.5	●	●	●	●	●	●	
		3.5	●	●	●	●	●	●	
		5.0		●	●	●	●	●	
		6.5					●	●	
	AR07/09/12/18/24TXEAAWKNEU	2.0	●	●	●	●	●	●	
		2.5	●	●	●	●	●	●	
		3.5	●	●	●	●	●	●	
		5.0		●	●	●	●	●	
		6.5					●	●	
	AR07/09/12TXCAAWKNEU	2.0	●	●	●	●	●	●	
		2.5	●	●	●	●	●	●	
		3.5	●	●	●	●	●	●	
	AJ026/035TN1DKG/EU	2.6	●	●	●	●	●	●	
		3.5	●	●	●	●	●	●	
	AJ016/020/026/035/052TNNDKG/EU	1.6		●	●	●	●	●	
		2.0		●	●	●	●	●	
		2.6		●	●	●	●	●	
		3.5		●	●	●	●	●	
		5.2					●	●	
	AJ026/035TNLDEG/EU	2.6		●	●	●	●	●	
		3.5		●	●	●	●	●	
	AJ052TNMDEG/EU	5.2				●	●	●	
	AJ026/035/052TNJDKG/EU	2.6	●	●	●				
		3.5	●	●	●				
		5.2		●	●				

2. Specification

2-1. Outdoor units

Type				FREE JOINT MULTI	FREE JOINT MULTI	FREE JOINT MULTI	
Model Name				AJ040TXJ2KG/EU	AJ050TXJ2KG/EU	AJ052TXJ3KG/EU	
Power Supply			Φ, #, V, Hz	1,2,220-240,50	1,2,220-240,50	1,2,220-240,50	
Mode			-	HEAT PUMP	HEAT PUMP	HEAT PUMP	
Performance	Capacity	Cooling	kW	4.00	5.00	5.2	
			Btu/h	13,600	17,100	17,700	
		Heating	kW	4.20	5.60	6.30	
			Btu/h	14,300	19,100	21,500	
Maximum number of connectable Indoor Units			EA	2	2	3	
Power	Power Input (Nominal)	Cooling	kW	0.90	1.22	1.25	
		Heating		0.90	1.28	1.32	
	Current Input (Nominal)	Cooling	A	4.10	5.60	5.50	
		Heating		4.10	5.90	6.10	
	Current	MCA	A	9.80	11.80	11.90	
		MFA	A	11.25	13.75	13.75	
Efficiency	EER	Cooling	W/W	4.44	4.10	4.16	
	COP	Heating	W/W	4.67	4.38	4.77	
	SEER (Grade)		W/W	8.54(A+++)	8.54(A+++)	8.51(A+++)	
	SCOP (Grade)		W/W	4.64(A++)	4.64(A++)	4.60(A++)	
Casing	Material	Body	-	GI steel plate	GI steel plate	GI steel plate	
		Base	-	GI steel plate	GI steel plate	GI steel plate	
Heat Exchanger	Type		-	Fin & Tube	Fin & Tube	Fin & Tube	
	Material	Fin	-	Al	Al	Al	
		Tube	-	Cu	Cu	Cu	
	Fin Treatment		-	Anti-Corrosion	Anti-Corrosion	Anti-Corrosion	
Compressor	Type		-	Twin BLDC Rotary	Twin BLDC Rotary	Twin BLDC Rotary	
	Output		kW x n	4.09 x 1	4.09 x 1	4.68 x 1	
	Model Name		-	KTN130D42UFR	KTN130D42UFR	KTN150D42UFR	
	Oil	Type	-	ESTER OIL VG74	ESTER OIL VG74	ESTER OIL VG74	
		Initial Charge	cc	350	350	450	
Fan	Type		-	Propeller Fan	Propeller Fan	Propeller Fan	
	Discharge direction		-	Front (Horizontal)	Front (Horizontal)	Front (Horizontal)	
	Quantity		EA	1	1	1	
	Air Flow Rate		m ³ /min	29.7	33.1	45.0	
			l/s	494	551	749	
	External Static Pressure		Max.	mmAq	-	-	-
				Pa	-	-	-
Fan Motor	Type		-	BLDC	BLDC	BLDC	
	Output x n		W	40 x 1	40 x 1	125 x 1	

2. Specification

Type				FREE JOINT MULTI	FREE JOINT MULTI	FREE JOINT MULTI	
Model Name				AJ040TXJ2KG/EU	AJ050TXJ2KG/EU	AJ052TXJ3KG/EU	
Piping Connections	Liquid Pipe	Type		Flare connection	Flare connection	Flare connection	
		Φ, mm x EA		6.35 x 2	6.35 x 2	6.35 x 3	
		Φ, inch x EA		1/4 x 2	1/4 x 2	1/4 x 3	
	Gas Pipe	Type		Flare connection	Flare connection	Flare connection	
		Φ, mm x EA		9.52 x 2	9.52 x 2	9.52 x 2 + 12.70	
		Φ, inch x EA		3/8 x 2	3/8 x 2	3/8 x 2 + 1/2	
	Heat insulation			Both Liquid & Gas pipes	Both Liquid & Gas pipes	Both Liquid & Gas pipes	
	Installation Limitation	Length	Total Piping Length	m	30	30	50
			Max. Length (OD~ID)	m	20	20	25
		Height	Max. Height (OD~ID)	m	15	15	15
Max. Height (ID~ID)			m	7.5	7.5	7.5	
Wiring Connections	Communication	Min.	mm ²	0.75	0.75	0.75	
		Remark	-	F1, F2	F1, F2	F1, F2	
Refrigerant	Type		-	R32	R32	R32	
	Factory Charging		kg	0.98	1.18	1.55	
			tCO ₂ e	0.66	0.80	1.05	
Sound	Sound Pressure	Cooling	dB(A)	45	46	46	
		Heating		46	47	48	
	Sound Power		dBA	60	61	61	
External Dimension	Net Weight		kg	32.0	33.0	44.5	
	Shipping Weight		kg	34.0	35.0	47.5	
	Net Dimensions (WxHxD)		mm	790 x 548 x 285	790 x 548 x 285	880 x 638 x 310	
	Shipping Dimensions (WxHxD)		mm	913 x 622 x 371	913 x 622 x 371	1,023 x 742 x 413	
Operating Temp. Range	Cooling		°C	-10.0 ~ 46.0	-10.0 ~ 46.0	-10.0 ~ 46.0	
	Heating		°C	-15.0 ~ 24.0	-15.0 ~ 24.0	-15.0 ~ 24.0	

NOTE

- Specifications may be subject to change without prior notice.
- 1)* Capacities are based on (Equivalent refrigerant piping : 5m, Level differences : 0m)
 - Cooling : Indoor temperature : 27°C DB, 19°C WB / Outdoor temperature : 35°C DB, 24°C WB
 - Heating : Indoor temperature : 20°C DB, 15°C WB / Outdoor temperature : 7°C DB, 6°C WB
- 2)* Select wire size based on the value of MCA
- 3)* Sound pressure level is obtained in an anechoic room.
 - Sound pressure level is a relative value, depending on the distance and acoustic environment.
 - Sound pressure level may differ depending on operation condition.
 - dBA = A-weighted sound pressure level
 - Reference acoustic pressure 0 dB = 20uPa
- 4)* Sound power level is an absolute value that a sound source generates.
 - dBA = A-weighted sound power level
 - Reference power : 1pW
 - Measured according to ISO 3741
- 5)* These products contain R32 (GWP=675) which is fluorinated greenhouse gas.

2. Specification

2-1. Outdoor units

Type				FREE JOINT MULTI	FREE JOINT MULTI	FREE JOINT MULTI	
Model Name				AJ068TXJ3KG/EU	AJ080TXJ4KG/EU	AJ100TXJ5KG/EU	
Power Supply			Φ, #, V, Hz	1,2,220-240,50	1,2,220-240,50	1,2,220-240,50	
Mode			-	HEAT PUMP	HEAT PUMP	HEAT PUMP	
Performance	Capacity	Cooling	kW	6.80	8.00	10.00	
			Btu/h	23,200	27,300	34,100	
		Heating	kW	8.00	9.30	12.00	
			Btu/h	27,300	31,700	40,900	
Maximum number of connectable Indoor Units			EA	3	4	5	
Power	Power Input (Nominal)	Cooling	kW	1.80	1.97	2.75	
		Heating	kW	1.81	2.13	2.82	
	Current Input (Nominal)	Cooling	A	8.10	8.90	12.2	
		Heating	A	8.20	9.50	12.8	
	Current	MCA	A	17.50	17.80	24.5	
		MFA	A	20.75	20.75	28.8	
Efficiency	EER	Cooling	W/W	3.78	4.06	3.64	
	COP	Heating	W/W	4.42	4.37	4.26	
	SEER (Grade)		W/W	7.75(A++)	7.75(A++)	8.00(A++)	
	SCOP (Grade)		W/W	4.32(A+)	4.10(A+)	4.32(A+)	
Casing	Material	Body	-	GI steel plate	GI steel plate	GI steel plate	
		Base	-	GI steel plate	GI steel plate	GI steel plate	
Heat Exchanger	Type		-	Fin & Tube	Fin & Tube	Fin & Tube	
	Material	Fin	-	Al	Al	Al	
		Tube	-	Cu	Cu	Cu	
	Fin Treatment		-	Anti-Corrosion	Anti-Corrosion	Anti-Corrosion	
Compressor	Type		-	Twin BLDC Rotary	Twin BLDC Rotary	Twin BLDC Rotary	
	Output		kW x n	7.65 x 1	7.65 x 1	10.01 x 1	
	Model Name		-	KTF235D22UMV	KTF235D22UMV	KTF310D43UMT	
	Oil	Type	-	ESTER OIL VG74	ESTER OIL VG74	ESTER OIL VG74	
		Initial Charge	cc	670	670	1000	
Fan	Type		-	Propeller Fan	Propeller Fan	Propeller Fan	
	Discharge direction		-	Front (Horizontal)	Front (Horizontal)	Front (Horizontal)	
	Quantity		EA	1	1	1	
	Air Flow Rate		m ³ /min	55.4	55.4	74.96	
			l/s	923	923	1,249	
	External Static Pressure		Max.	mmAq	-	-	-
				Pa	-	-	-
Fan Motor	Type		-	BLDC	BLDC	BLDC	
	Output x n		W	125 x 1	125 x 1	125 x 1	

2. Specification

Type				FREE JOINT MULTI	FREE JOINT MULTI	FREE JOINT MULTI	
Model Name				AJ068TXJ3KG/EU	AJ080TXJ4KG/EU	AJ100TXJ5KG/EU	
Piping Connections	Liquid Pipe	Type		Flare connection	Flare connection	Flare connection	
		Φ, mm x EA		6.35 x 3	6.35 x 4	6.35 x 5	
		Φ, inch x EA		1/4 x 3	1/4 x 4	1/4 x 5	
	Gas Pipe	Type		Flare connection	Flare connection	Flare connection	
		Φ, mm x EA		9.52 + 12.70 x 2	9.52 x 2 + 12.70 x 2	9.52 x 2 + 12.70 x 3	
		Φ, inch x EA		3/8 + 1/2 x 2	3/8 x 2 + 1/2 x 2	3/8 x 2 + 1/2 x 3	
	Heat insulation				Both Liquid & Gas pipes	Both Liquid & Gas pipes	Both Liquid & Gas pipes
	Installation Limitation	Length	Total Piping Length	m	50	70	75
			Max. Length (OD~ID)	m	25	25	25
		Height	Max. Height (OD~ID)	m	15	15	15
Max. Height (ID~ID)			m	7.5	7.5	7.5	
Wiring Connections	Communication	Min.	mm ²	0.75	0.75	0.75	
		Remark	-	F1, F2	F1, F2	F1, F2	
Refrigerant	Type		-	R32	R32	R32	
	Factory Charging		kg	2.00	2.00	2.70	
			tCO ₂ e	1.35	1.35	1.82	
Sound	Sound Pressure	Cooling	dB(A)	48	48	54	
		Heating		50	50	56	
	Sound Power		dBA	64	64	70	
External Dimension	Net Weight		kg	57.5	57.5	76.5	
	Shipping Weight		kg	61.5	61.5	82.0	
	Net Dimensions (WxHxD)		mm	880 x 798 x 310	880 x 798 x 310	940 x 998 x 330	
	Shipping Dimensions (WxHxD)		mm	1,023 x 896 x 413	1,023 x 896 x 413	995 x 1,096 x 426	
Operating Temp. Range	Cooling		°C	-10.0 ~ 46.0	-10.0 ~ 46.0	-10.0 ~ 46.0	
	Heating		°C	-15.0 ~ 24.0	-15.0 ~ 24.0	-15.0 ~ 24.0	

NOTE

- Specifications may be subject to change without prior notice.
- 1)* Capacities are based on (Equivalent refrigerant piping : 5m, Level differences : 0m)
 - Cooling : Indoor temperature : 27°C DB, 19°C WB / Outdoor temperature : 35°C DB, 24°C WB
 - Heating : Indoor temperature : 20°C DB, 15°C WB / Outdoor temperature : 7°C DB, 6°C WB
- 2)* Select wire size based on the value of MCA
- 3)* Sound pressure level is obtained in an anechoic room.
 - Sound pressure level is a relative value, depending on the distance and acoustic environment.
 - Sound pressure level may differ depending on operation condition.
 - dBA = A-weighted sound pressure level
 - Reference acoustic pressure 0 dB = 20uPa
- 4)* Sound power level is an absolute value that a sound source generates.
 - dBA = A-weighted sound power level
 - Reference power : 1pW
 - Measured according to ISO 3741
- 5)* These products contain R32 (GWP=675) which is fluorinated greenhouse gas.

2. Specification

2-2. Indoor units

AR4500

Type				AR4500	AR4500	AR4500
Model Name				AR07TXHZAWKNEU	AR09TXHZAWKNEU	AR12TXHZAWKNEU
Power Supply			Ø, #, V, Hz	1,2,220-240,50	1,2,220-240,50	1,2,220-240,50
Mode			-	HP	HP	HP
Performance	Capacity	Cooling	kW	2.0	2.5	3.5
			Btu/h	6,800	8,500	11,900
		Heating	kW	2.2	3.2	3.5
			Btu/h	7,500	10,900	11,900
Power	Power Input	Cooling	W	30	30	30
		Heating	W	30	30	30
	Current Input	Cooling	A	0.3	0.3	0.3
		Heating	A	0.3	0.3	0.3
Heat Exchanger	Type		-	Fin & Tube	Fin & Tube	Fin & Tube
	Material	Fin	-	Al	Al	Al
		Tube	-	Cu	Cu	Cu
	Fin Treatment		-	Green Hydrophile	Green Hydrophile	Green Hydrophile
Fan	Type		-	Cross Flow	Cross Flow	Cross Flow
	Quantity		EA	1	1	1
	Air Flow Rate	Cooling (T/H/M/L)	m ³ /min	9.9 / 9.4 / 9.3 / 8.4	10.3 / 9.8 / 9.3 / 8.4	10.7 / 10.3 / 9.3 / 8.4
			l/s	165 / 157 / 155 / 140	172 / 163 / 155 / 140	178 / 172 / 155 / 140
		Heating (T/H/M/L)	m ³ /min	10.8 / 10.4 / 10.3 / 9.3	11.2 / 10.7 / 10.3 / 9.3	11.7 / 11.2 / 10.3 / 9.3
			l/s	180 / 173 / 172 / 155	187 / 178 / 172 / 155	195 / 187 / 172 / 155
Fan Motor	Type		-	BLDC	BLDC	BLDC
	Output		W x n	27 x 1	27 x 1	27 x 1
Piping Connections	Liquid Pipe	Type	-	Flare connection	Flare connection	Flare connection
		Φ, mm (inch)	-	6.35 (1/4)	6.35 (1/4)	6.35 (1/4)
	Gas Pipe	Type	-	Flare connection	Flare connection	Flare connection
		Φ, mm (inch)	-	9.52 (3/8)	9.52 (3/8)	9.52 (3/8)
	Heat Insulation		-	Both liquid and gas pipes	Both liquid and gas pipes	Both liquid and gas pipes
Drain Pipe		Φ, mm	16.3, 550	16.3, 550	16.3, 550	
Wiring connections	Communication	Min.	mm ²	0.75	0.75	0.75
		Remark	-	F1, F2	F1, F2	F1, F2
Refrigerant	Type		-	R32	R32	R32
	Electronic Expansion Valve		-	EEV NOT INCLUDED	EEV NOT INCLUDED	EEV NOT INCLUDED
Sound	Sound Pressure Level	H / Silent	dB(A)	36 / 19	37 / 19	38 / 19
	Sound Power Level		dB(A)	54	54	56

2. Specification

Type			AR4500	AR4500	AR4500
Model Name			AR07TXHZAWKNEU	AR09TXHZAWKNEU	AR12TXHZAWKNEU
External Dimension	Net Weight	kg	9.0	9.0	9.0
	Shipping Weight	kg	11.0	11.0	11.0
	Net Dimensions (WxHxD)	mm	820 x 299 x 215	820 x 299 x 215	820 x 299 x 215
	Shipping Dimensions (WxHxD)	mm	880 x 290 x 375	880 x 290 x 375	880 x 290 x 375
Casing	Material	-	HIPS	HIPS	HIPS

NOTE

- Specifications may be subject to change without prior notice.
- 1)* Capacities are based on (Equivalent refrigerant piping : 5m, Level differences : 0m)
 - Cooling : Indoor temperature : 27°C DB, 19°C WB / Outdoor temperature : 35°C DB, 24°C WB
 - Heating : Indoor temperature : 20°C DB, 15°C WB / Outdoor temperature : 7°C DB, 6°C WB
- 2)* Select wire size based on the value of MCA
- 3)* Sound pressure level is obtained in an anechoic room.
 - Sound pressure level is a relative value, depending on the distance and acoustic environment.
 - Sound pressure level may differ depending on operation condition.
 - dBA = A-weighted sound pressure level
 - Reference acoustic pressure 0 dB = 20uPa
- 4)* Sound power level is an absolute value that a sound source generates.
 - dBA = A-weighted sound power level
 - Reference power : 1pW
 - Measured according to ISO 3741
- 5)* These products contain R32 (GWP=675) which is fluorinated greenhouse gas.

2. Specification

2-2. Indoor units

AR4500

Type				AR4500	AR4500
Model Name				AR18TXHZAWKNEU	AR24TXHZAWKNEU
Power Supply			Ø, #, V, Hz	1,2,220-240,50	1,2,220-240,50
Mode			-	HP	HP
Performance	Capacity	Cooling	kW	5	6.5
			Btu/h	17,100	22,200
		Heating	kW	6	7.4
			Btu/h	20,500	25,300
Power	Power Input	Cooling	W	40	50
		Heating	W	40	50
	Current Input	Cooling	A	0.4	0.5
		Heating	A	0.4	0.5
Heat Exchanger	Type		-	Fin & Tube	Fin & Tube
	Material	Fin	-	Al	Al
		Tube	-	Cu	Cu
	Fin Treatment		-	Green Hydrophile	Green Hydrophile
Fan	Type		-	Cross Flow	Cross Flow
	Quantity		EA	1	1
	Air Flow Rate	Cooling (T/H/M/L)	m ³ /min	15.3 / 14.8 / 13.7 / 12.7	16.4 / 15.3 / 14.2 / 13.1
			l/s	256 / 247 / 229 / 211	274 / 255 / 237 / 218
		Heating (T/H/M/L)	m ³ /min	15.5 / 15.0 / 13.9 / 12.8	17.1 / 16.0 / 14.9 / 13.8
			l/s	258 / 249 / 231 / 213	286 / 267 / 248 / 229
Fan Motor	Type		-	BLDC	BLDC
	Output		W x n	27 x 1	27 x 1
Piping Connections	Liquid Pipe		Type	Flare connection	Flare connection
			Φ, mm (inch)	6.35 (1/4)	6.35 (1/4)
	Gas Pipe		Type	Flare connection	Flare connection
			Φ, mm (inch)	12.7 (1/2)	15.88 (5/8)
	Heat Insulation		-	Both liquid and gas pipes	Both liquid and gas pipes
Drain Pipe		Φ, mm	16.3, 550	16.3, 550	
Wiring connections	Communication	Min.	mm ²	0.75	0.75
		Remark	-	F1, F2	F1, F2
Refrigerant	Type		-	R32	R32
	Electronic Expansion Valve		-	EEV NOT INCLUDED	EEV NOT INCLUDED

2. Specification

Type				AR4500	AR4500
Model Name				AR18TXHZAWKNEU	AR24TXHZAWKNEU
Sound	Sound Pressure Level	H / Silent	dB(A)	41 / 28	45 / 29
	Sound Power Level		dB(A)	58	62
External Dimension	Net Weight		kg	11.5	12.5
	Shipping Weight		kg	13.7	14.8
	Net Dimensions (WxHxD)		mm	1,055 x 299 x 215	1,055 x 299 x 215
	Shipping Dimensions (WxHxD)		mm	1,115 x 290 x 375	1,115 x 290 x 375
Casing	Material		-	HIPS	HIPS

NOTE

- Specifications may be subject to change without prior notice.
- 1)* Capacities are based on (Equivalent refrigerant piping : 5m, Level differences : 0m)
 - Cooling : Indoor temperature : 27°C DB, 19°C WB / Outdoor temperature : 35°C DB, 24°C WB
 - Heating : Indoor temperature : 20°C DB, 15°C WB / Outdoor temperature : 7°C DB, 6°C WB
- 2)* Select wire size based on the value of MCA
- 3)* Sound pressure level is obtained in an anechoic room.
 - Sound pressure level is a relative value, depending on the distance and acoustic environment.
 - Sound pressure level may differ depending on operation condition.
 - dBA = A-weighted sound pressure level
 - Reference acoustic pressure 0 dB = 20uPa
- 4)* Sound power level is an absolute value that a sound source generates.
 - dBA = A-weighted sound power level
 - Reference power : 1pW
 - Measured according to ISO 3741
- 5)* These products contain R32 (GWP=675) which is fluorinated greenhouse gas.

2. Specification

2-2. Indoor units

AR5500

Type				AR5500	AR5500	AR5500
Model Name				AR07TXFYAWKNEU	AR09TXFYAWKNEU	AR12TXFYAWKNEU
Power Supply			Ø, #, V, Hz	1,2,220-240,50	1,2,220-240,50	1,2,220-240,50
Mode			-	HP	HP	HP
Performance	Capacity	Cooling	kW	2.0	2.5	3.5
			Btu/h	6,800	8,500	11,900
		Heating	kW	2.2	3.2	3.5
			Btu/h	7,500	10,900	11,900
Power	Power Input	Cooling	W	30	30	30
		Heating	W	30	30	30
	Current Input	Cooling	A	0.3	0.3	0.3
		Heating	A	0.3	0.3	0.3
Heat Exchanger	Type		-	Fin & Tube	Fin & Tube	Fin & Tube
	Material	Fin	-	Al	Al	Al
		Tube	-	Cu	Cu	Cu
	Fin Treatment		-	Green Hydrophile	Green Hydrophile	Green Hydrophile
Fan	Type		-	Cross Flow	Cross Flow	Cross Flow
	Quantity		EA	1	1	1
	Air Flow Rate	Cooling (T/H/M/L)	m ³ /min	9.9 / 9.4 / 9.3 / 8.4	10.3 / 9.8 / 9.3 / 8.4	10.7 / 10.3 / 9.3 / 8.4
			l/s	165 / 157 / 155 / 140	172 / 163 / 155 / 140	178 / 172 / 155 / 140
		Heating (T/H/M/L)	m ³ /min	10.8 / 10.4 / 10.3 / 9.3	11.2 / 10.7 / 10.3 / 9.3	11.7 / 11.2 / 10.3 / 9.3
l/s			180 / 173 / 172 / 155	187 / 178 / 172 / 155	195 / 187 / 172 / 155	
Fan Motor	Type		-	BLDC	BLDC	BLDC
	Output		W x n	27 x 1	27 x 1	27 x 1
Piping Connections	Liquid Pipe	Type	-	Flare connection	Flare connection	Flare connection
		Φ, mm (inch)	-	6.35 (1/4)	6.35 (1/4)	6.35 (1/4)
	Gas Pipe	Type	-	Flare connection	Flare connection	Flare connection
		Φ, mm (inch)	-	9.52 (3/8)	9.52 (3/8)	9.52 (3/8)
	Heat Insulation		-	Both liquid and gas pipes	Both liquid and gas pipes	Both liquid and gas pipes
Drain Pipe		Φ, mm	-	16.3, 550	16.3, 550	16.3, 550
Wiring connections	Communication	Min.	mm ²	0.75	0.75	0.75
		Remark	-	F1, F2	F1, F2	F1, F2
Refrigerant	Type		-	R32	R32	R32
	Electronic Expansion Valve		-	EEV NOT INCLUDED	EEV NOT INCLUDED	EEV NOT INCLUDED
Sound	Sound Pressure Level	H / Silent	dB(A)	36 / 19	37 / 19	38 / 19
	Sound Power Level		dB(A)	54	54	56

2. Specification

Type			AR5500	AR5500	AR5500
Model Name			AR07TXFYAWKNEU	AR09TXFYAWKNEU	AR12TXFYAWKNEU
External Dimension	Net Weight	kg	9.0	9.0	9.0
	Shipping Weight	kg	11.0	11.0	11.0
	Net Dimensions (WxHxD)	mm	820 x 299 x 215	820 x 299 x 215	820 x 299 x 215
	Shipping Dimensions (WxHxD)	mm	880 x 290 x 375	880 x 290 x 375	880 x 290 x 375
Casing	Material	-	HIPS	HIPS	HIPS

NOTE

- Specifications may be subject to change without prior notice.
- 1)* Capacities are based on (Equivalent refrigerant piping : 5m, Level differences : 0m)
 - Cooling : Indoor temperature : 27°C DB, 19°C WB / Outdoor temperature : 35°C DB, 24°C WB
 - Heating : Indoor temperature : 20°C DB, 15°C WB / Outdoor temperature : 7°C DB, 6°C WB
- 2)* Select wire size based on the value of MCA
- 3)* Sound pressure level is obtained in an anechoic room.
 - Sound pressure level is a relative value, depending on the distance and acoustic environment.
 - Sound pressure level may differ depending on operation condition.
 - dBA = A-weighted sound pressure level
 - Reference acoustic pressure 0 dB = 20uPa
- 4)* Sound power level is an absolute value that a sound source generates.
 - dBA = A-weighted sound power level
 - Reference power : 1pW
 - Measured according to ISO 3741
- 5)* These products contain R32 (GWP=675) which is fluorinated greenhouse gas.

2. Specification

2-2. Indoor units

AR5500

Type				AR5500	AR5500
Model Name				AR18TXFYAWKNEU	AR24TXFYAWKNEU
Power Supply			Ø, #, V, Hz	1,2,220-240,50	1,2,220-240,50
Mode			-	HP	HP
Performance	Capacity	Cooling	kW	5	6.5
			Btu/h	17,100	22,200
		Heating	kW	6	7.4
			Btu/h	20,500	25,300
Power	Power Input	Cooling	W	40	50
		Heating	W	40	50
	Current Input	Cooling	A	0.4	0.5
		Heating	A	0.4	0.5
Heat Exchanger	Type		-	Fin & Tube	Fin & Tube
	Material	Fin	-	Al	Al
		Tube	-	Cu	Cu
	Fin Treatment		-	Green Hydrophile	Green Hydrophile
Fan	Type		-	Cross Flow	Cross Flow
	Quantity		EA	1	1
	Air Flow Rate	Cooling (T/H/M/L)	m ³ /min	15.3 / 14.8 / 13.7 / 12.7	16.4 / 15.3 / 14.2 / 13.1
			l/s	256 / 247 / 229 / 211	274 / 255 / 237 / 218
		Heating (T/H/M/L)	m ³ /min	15.5 / 15.0 / 13.9 / 12.8	17.1 / 16.0 / 14.9 / 13.8
			l/s	258 / 249 / 231 / 213	286 / 267 / 248 / 229
Fan Motor	Type		-	BLDC	BLDC
	Output		W x n	27 x 1	27 x 1
Piping Connections	Liquid Pipe		Type	Flare connection	Flare connection
			Φ, mm (inch)	6.35 (1/4)	6.35 (1/4)
	Gas Pipe		Type	Flare connection	Flare connection
			Φ, mm (inch)	12.7 (1/2)	15.88 (5/8)
	Heat Insulation		-	Both liquid and gas pipes	Both liquid and gas pipes
Drain Pipe		Φ, mm	16.3, 550	16.3, 550	
Wiring connections	Communication	Min.	mm ²	0.75	0.75
		Remark	-	F1, F2	F1, F2
Refrigerant	Type		-	R32	R32
	Electronic Expansion Valve		-	EEV NOT INCLUDED	EEV NOT INCLUDED
Sound	Sound Pressure Level	H / Silent	dB(A)	41 / 28	45 / 29
	Sound Power Level		dB(A)	58	62

2. Specification

Type			AR5500	AR5500
Model Name			AR18TXFYAWKNEU	AR24TXFYAWKNEU
External Dimension	Net Weight	kg	11.5	11.6
	Shipping Weight	kg	13.7	13.8
	Net Dimensions (WxHxD)	mm	1,055 x 299 x 215	1,055 x 299 x 215
	Shipping Dimensions (WxHxD)	mm	1,115 x 290 x 375	1,115 x 290 x 375
Casing	Material	-	HIPS	HIPS

NOTE

- Specifications may be subject to change without prior notice.
- 1)* Capacities are based on (Equivalent refrigerant piping : 5m, Level differences : 0m)
 - Cooling : Indoor temperature : 27°C DB, 19°C WB / Outdoor temperature : 35°C DB, 24°C WB
 - Heating : Indoor temperature : 20°C DB, 15°C WB / Outdoor temperature : 7°C DB, 6°C WB
- 2)* Select wire size based on the value of MCA
- 3)* Sound pressure level is obtained in an anechoic room.
 - Sound pressure level is a relative value, depending on the distance and acoustic environment.
 - Sound pressure level may differ depending on operation condition.
 - dBA = A-weighted sound pressure level
 - Reference acoustic pressure 0 dB = 20uPa
- 4)* Sound power level is an absolute value that a sound source generates.
 - dBA = A-weighted sound power level
 - Reference power : 1pW
 - Measured according to ISO 3741
- 5)* These products contain R32 (GWP=675) which is fluorinated greenhouse gas.

2. Specification

2-2. Indoor units

AR9500

Type				AR9500	AR9500	AR9500
Model Name				AR07TXFCAWKNEU	AR09TXFCAWKNEU	AR12TXFCAWKNEU
Power Supply			Ø, #, V, Hz	1,2,220-240,50	1,2,220-240,50	1,2,220-240,50
Mode			-	HP	HP	HP
Performance	Capacity	Cooling	kW	2.0	2.5	3.5
			Btu/h	6,800	8,500	11,900
		Heating	kW	2.2	3.2	3.5
			Btu/h	7,500	10,900	11,900
Power	Power Input	Cooling	W	30	30	30
		Heating	W	30	30	30
	Current Input	Cooling	A	0.3	0.3	0.3
		Heating	A	0.3	0.3	0.3
Heat Exchanger	Type		-	Fin & Tube	Fin & Tube	Fin & Tube
	Material	Fin	-	Al	Al	Al
		Tube	-	Cu	Cu	Cu
	Fin Treatment		-	Green Hydrophile	Green Hydrophile	Green Hydrophile
Fan	Type		-	Cross Flow	Cross Flow	Cross Flow
	Quantity		EA	1	1	1
	Air Flow Rate	Cooling (T/H/M/L)	m ³ /min	9.9 / 9.4 / 9.3 / 8.4	10.3 / 9.8 / 9.3 / 8.4	10.7 / 10.3 / 9.3 / 8.4
			l/s	165 / 157 / 155 / 140	172 / 163 / 155 / 140	178 / 172 / 155 / 140
		Heating (T/H/M/L)	m ³ /min	10.8 / 10.3 / 10.3 / 9.3	11.2 / 10.7 / 10.3 / 9.3	11.7 / 11.2 / 10.3 / 9.3
			l/s	180 / 173 / 171 / 155	187 / 178 / 172 / 155	195 / 187 / 172 / 155
Fan Motor	Type		-	BLDC	BLDC	BLDC
	Output		W x n	27 x 1	27 x 1	27 x 1
Piping Connections	Liquid Pipe	Type	-	Flare connection	Flare connection	Flare connection
		Φ, mm (inch)	-	6.35 (1/4)	6.35 (1/4)	6.35 (1/4)
	Gas Pipe	Type	-	Flare connection	Flare connection	Flare connection
		Φ, mm (inch)	-	9.52 (3/8)	9.52 (3/8)	9.52 (3/8)
	Heat Insulation		-	Both liquid and gas pipes	Both liquid and gas pipes	Both liquid and gas pipes
Drain Pipe		Φ, mm	-	16.3, 550	16.3, 550	16.3, 550
Wiring connections	Communication	Min.	mm ²	0.75	0.75	0.75
		Remark	-	F1, F2	F1, F2	F1, F2
Refrigerant	Type		-	R32	R32	R32
	Electronic Expansion Valve		-	EEV NOT INCLUDED	EEV NOT INCLUDED	EEV NOT INCLUDED
Sound	Sound Pressure Level	H / Silent	dB(A)	36 / 19	37 / 19	38 / 19
	Sound Power Level		dB(A)	54	54	56

2. Specification

Type			AR9500	AR9500	AR9500
Model Name			AR07TXFCAWKNEU	AR09TXFCAWKNEU	AR12TXFCAWKNEU
External Dimension	Net Weight	kg	9.0	9.0	9.0
	Shipping Weight	kg	11.0	11.0	11.0
	Net Dimensions (WxHxD)	mm	820 x 299 x 215	820 x 299 x 215	820 x 299 x 215
	Shipping Dimensions (WxHxD)	mm	880 x 290 x 375	880 x 290 x 375	880 x 290 x 375
Casing	Material	-	HIPS	HIPS	HIPS

NOTE

- Specifications may be subject to change without prior notice.
- 1)* Capacities are based on (Equivalent refrigerant piping : 5m, Level differences : 0m)
 - Cooling : Indoor temperature : 27°C DB, 19°C WB / Outdoor temperature : 35°C DB, 24°C WB
 - Heating : Indoor temperature : 20°C DB, 15°C WB / Outdoor temperature : 7°C DB, 6°C WB
- 2)* Select wire size based on the value of MCA
- 3)* Sound pressure level is obtained in an anechoic room.
 - Sound pressure level is a relative value, depending on the distance and acoustic environment.
 - Sound pressure level may differ depending on operation condition.
 - dBA = A-weighted sound pressure level
 - Reference acoustic pressure 0 dB = 20uPa
- 4)* Sound power level is an absolute value that a sound source generates.
 - dBA = A-weighted sound power level
 - Reference power : 1pW
 - Measured according to ISO 3741
- 5)* These products contain R32 (GWP=675) which is fluorinated greenhouse gas.

2. Specification

2-2. Indoor units

AR9500

Type				AR9500	AR9500
Model Name				AR18TXFCAWKNEU	AR24TXFCAWKNEU
Power Supply			Ø, #, V, Hz	1,2,220-240,50	1,2,220-240,50
Mode			-	HP	HP
Performance	Capacity	Cooling	kW	5	6.5
			Btu/h	17,100	22,200
		Heating	kW	6	7.4
			Btu/h	20,500	25,300
Power	Power Input	Cooling	W	40	50
		Heating	W	40	50
	Current Input	Cooling	A	0.4	0.5
		Heating	A	0.4	0.5
Heat Exchanger	Type		-	Fin & Tube	Fin & Tube
	Material	Fin	-	Al	Al
		Tube	-	Cu	Cu
	Fin Treatment		-	Green Hydrophile	Green Hydrophile
Fan	Type		-	Cross Flow	Cross Flow
	Quantity		EA	1	1
	Air Flow Rate	Cooling (T/H/M/L)	m ³ /min	15.3 / 14.3 / 13.3 / 12.2	16.4 / 15.3 / 14.3 / 12.7
			l/s	256 / 238 / 221 / 204	274 / 256 / 238 / 211
		Heating (T/H/M/L)	m ³ /min	15.5 / 14.5 / 13.4 / 12.4	17.1 / 16.0 / 15.0 / 13.3
			l/s	258 / 241 / 223 / 206	286 / 267 / 249 / 222
Fan Motor	Type		-	BLDC	BLDC
	Output		W x n	27 x 1	27 x 1
Piping Connections	Liquid Pipe		Type	Flare connection	Flare connection
			Φ, mm (inch)	6.35 (1/4)	6.35 (1/4)
	Gas Pipe		Type	Flare connection	Flare connection
			Φ, mm (inch)	12.7 (1/2)	15.88 (5/8)
	Heat Insulation		-	Both liquid and gas pipes	Both liquid and gas pipes
Drain Pipe		Φ, mm	16.3, 550	16.3, 550	
Wiring connections	Communication	Min.	mm ²	0.75	0.75
		Remark	-	F1, F2	F1, F2
Refrigerant	Type		-	R32	R32
	Electronic Expansion Valve		-	EEV NOT INCLUDED	EEV NOT INCLUDED
Sound	Sound Pressure Level	H / Silent	dB(A)	41 / 28	45 / 29
	Sound Power Level		dB(A)	58	62

2. Specification

Type			AR9500	AR9500
Model Name			AR18TXFCAWKNEU	AR24TXFCAWKNEU
External Dimension	Net Weight	kg	11.5	11.6
	Shipping Weight	kg	13.7	13.8
	Net Dimensions (WxHxD)	mm	1,055 x 299 x 215	1,055 x 299 x 215
	Shipping Dimensions (WxHxD)	mm	1,115 x 290 x 375	1,115 x 290 x 375
Casing	Material	-	HIPS	HIPS

NOTE

- Specifications may be subject to change without prior notice.
- 1)* Capacities are based on (Equivalent refrigerant piping : 5m, Level differences : 0m)
 - Cooling : Indoor temperature : 27°C DB, 19°C WB / Outdoor temperature : 35°C DB, 24°C WB
 - Heating : Indoor temperature : 20°C DB, 15°C WB / Outdoor temperature : 7°C DB, 6°C WB
- 2)* Select wire size based on the value of MCA
- 3)* Sound pressure level is obtained in an anechoic room.
 - Sound pressure level is a relative value, depending on the distance and acoustic environment.
 - Sound pressure level may differ depending on operation condition.
 - dBA = A-weighted sound pressure level
 - Reference acoustic pressure 0 dB = 20uPa
- 4)* Sound power level is an absolute value that a sound source generates.
 - dBA = A-weighted sound power level
 - Reference power : 1pW
 - Measured according to ISO 3741
- 5)* These products contain R32 (GWP=675) which is fluorinated greenhouse gas.

2. Specification

2-2. Indoor units

AR9500

Type				AR9500	AR9500	AR9500
Model Name				AR07TXEAAWKNEU	AR09TXEAAWKNEU	AR12TXEAAWKNEU
Power Supply			Ø, #, V, Hz	1,2,220-240,50	1,2,220-240,50	1,2,220-240,50
Mode			-	HP	HP	HP
Performance	Capacity	Cooling	kW	2.0	2.5	3.5
			Btu/h	6,800	8,500	11,900
		Heating	kW	2.2	3.2	4.0
			Btu/h	7,500	10,900	13,600
Power	Power Input	Cooling	W	40	40	40
		Heating	W	40	40	40
	Current Input	Cooling	A	0.4	0.4	0.4
		Heating	A	0.4	0.4	0.4
Heat Exchanger	Type		-	Fin & Tube	Fin & Tube	Fin & Tube
	Material	Fin	-	Al	Al	Al
		Tube	-	Cu	Cu	Cu
	Fin Treatment		-	Green Hydrophile	Green Hydrophile	Green Hydrophile
Fan	Type		-	Cross Flow	Cross Flow	Cross Flow
	Quantity		EA	1	1	1
	Air Flow Rate	Cooling (T/H/M/L)	m ³ /min	9.2 / 8.6 / 8.6 / 7.1	9.5 / 9.0 / 8.5 / 7.4	10.5 / 10.0 / 9.0 / 7.9
			l/s	153 / 144 / 143 / 118	158 / 150 / 142 / 123	175 / 167 / 150 / 132
		Heating (T/H/M/L)	m ³ /min	10.7 / 10.1 / 10.0 / 9.0	11.1 / 10.5 / 10.0 / 9.0	12.1 / 11.6 / 10.5 / 9.5
			l/s	178 / 168 / 166 / 150	185 / 175 / 167 / 150	202 / 193 / 175 / 158
Fan Motor	Type		-	BLDC	BLDC	BLDC
	Output		W x n	27 x 1	27 x 1	27 x 1
Piping Connections	Liquid Pipe	Type	-	Flare connection	Flare connection	Flare connection
		Φ, mm (inch)	-	6.35 (1/4)	6.35 (1/4)	6.35 (1/4)
	Gas Pipe	Type	-	Flare connection	Flare connection	Flare connection
		Φ, mm (inch)	-	9.52 (3/8)	9.52 (3/8)	9.52 (3/8)
	Heat Insulation		-	Both liquid and gas pipes	Both liquid and gas pipes	Both liquid and gas pipes
Drain Pipe		Φ, mm	16.3, 550	16.3, 550	16.3, 550	
Wiring connections	Communication	Min.	mm ²	0.75	0.75	0.75
		Remark	-	F1, F2	F1, F2	F1, F2
Refrigerant	Type		-	R32	R32	R32
	Electronic Expansion Valve		-	EEV NOT INCLUDED	EEV NOT INCLUDED	EEV NOT INCLUDED
Sound	Sound Pressure Level	H / Silent	dB(A)	37 / 19	38 / 19	40 / 19
	Sound Power Level		dB(A)	54	54	57

2. Specification

Type			AR9500	AR9500	AR9500
Model Name			ARO7TXEAAWKNEU	ARO9TXEAAWKNEU	AR12TXEAAWKNEU
External Dimension	Net Weight	kg	9.9	9.9	9.9
	Shipping Weight	kg	12.0	12.0	12.0
	Net Dimensions (WxHxD)	mm	889 x 299 x 215	889 x 299 x 215	889 x 299 x 215
	Shipping Dimensions (WxHxD)	mm	950 x 290 x 375	950 x 290 x 375	950 x 290 x 375
Casing	Material	-	HIPS	HIPS	HIPS

NOTE

- Specifications may be subject to change without prior notice.
- 1)* Capacities are based on (Equivalent refrigerant piping : 5m, Level differences : 0m)
 - Cooling : Indoor temperature : 27°C DB, 19°C WB / Outdoor temperature : 35°C DB, 24°C WB
 - Heating : Indoor temperature : 20°C DB, 15°C WB / Outdoor temperature : 7°C DB, 6°C WB
- 2)* Select wire size based on the value of MCA
- 3)* Sound pressure level is obtained in an anechoic room.
 - Sound pressure level is a relative value, depending on the distance and acoustic environment.
 - Sound pressure level may differ depending on operation condition.
 - dBA = A-weighted sound pressure level
 - Reference acoustic pressure 0 dB = 20uPa
- 4)* Sound power level is an absolute value that a sound source generates.
 - dBA = A-weighted sound power level
 - Reference power : 1pW
 - Measured according to ISO 3741
- 5)* These products contain R32 (GWP=675) which is fluorinated greenhouse gas.

2. Specification

2-2. Indoor units

AR9500

Type				AR9500	AR9500
Model Name				AR18TXEAAWKNEU	AR24TXEAAWKNEU
Power Supply			Ø, #, V, Hz	1,2,220-240,50	1,2,220-240,50
Mode			-	HP	HP
Performance	Capacity	Cooling	kW	5	6.5
			Btu/h	17100	22,200
		Heating	kW	6	7.4
			Btu/h	20500	25,300
Power	Power Input	Cooling	W	40	50
		Heating	W	40	50
	Current Input	Cooling	A	0.4	0.5
		Heating	A	0.4	0.5
Heat Exchanger	Type		-	Fin & Tube	Fin & Tube
	Material	Fin	-	Al	Al
		Tube	-	Cu	Cu
	Fin Treatment		-	Green Hydrophile	Green Hydrophile
Fan	Type		-	Cross Flow	Cross Flow
	Quantity		EA	1	1
	Air Flow Rate	Cooling (T/H/M/L)	m ³ /min	15.3 / 14.3 / 13.3 / 11.8	16.4 / 14.9 / 13.5 / 11.5
			l/s	256 / 239 / 222 / 197	274 / 249 / 225 / 192
		Heating (T/H/M/L)	m ³ /min	15.0 / 14.0 / 13.0 / 11.6	17.1 / 15.6 / 14.2 / 12.2
			l/s	250 / 234 / 217 / 193	286 / 261 / 236 / 203
Fan Motor	Type		-	BLDC	BLDC
	Output		W x n	27 x 1	27 x 1
Piping Connections	Liquid Pipe	Type		Flare connection	Flare connection
		Φ, mm (inch)		6.35 (1/4)	6.35 (1/4)
	Gas Pipe	Type		Flare connection	Flare connection
		Φ, mm (inch)		12.7 (1/2)	15.88 (5/8)
	Heat Insulation		-	Both liquid and gas pipes	Both liquid and gas pipes
Drain Pipe		Φ, mm	16.3, 550	16.3, 550	
Wiring connections	Communication	Min.	mm ²	0.75	0.75
		Remark	-	F1, F2	F1, F2
Refrigerant	Type		-	R32	R32
	Electronic Expansion Valve		-	EEV NOT INCLUDED	EEV NOT INCLUDED
Sound	Sound Pressure Level	H / Silent	dB(A)	41 / 28	45 / 29
	Sound Power Level		dB(A)	58	62

2. Specification

Type			AR9500	AR9500
Model Name			AR18TXEAAWKNEU	AR24TXEAAWKNEU
External Dimension	Net Weight	kg	12.2	12.5
	Shipping Weight	kg	14.7	14.8
	Net Dimensions (WxHxD)	mm	1,055 x 299 x 215	1,055 x 299 x 215
	Shipping Dimensions (WxHxD)	mm	1,115 x 290 x 375	1,115 x 290 x 375
Casing	Material	-	HIPS	HIPS

NOTE

- Specifications may be subject to change without prior notice.
- 1)* Capacities are based on (Equivalent refrigerant piping : 5m, Level differences : 0m)
 - Cooling : Indoor temperature : 27°C DB, 19°C WB / Outdoor temperature : 35°C DB, 24°C WB
 - Heating : Indoor temperature : 20°C DB, 15°C WB / Outdoor temperature : 7°C DB, 6°C WB
- 2)* Select wire size based on the value of MCA
- 3)* Sound pressure level is obtained in an anechoic room.
 - Sound pressure level is a relative value, depending on the distance and acoustic environment.
 - Sound pressure level may differ depending on operation condition.
 - dBA = A-weighted sound pressure level
 - Reference acoustic pressure 0 dB = 20uPa
- 4)* Sound power level is an absolute value that a sound source generates.
 - dBA = A-weighted sound power level
 - Reference power : 1pW
 - Measured according to ISO 3741
- 5)* These products contain R32 (GWP=675) which is fluorinated greenhouse gas.

2. Specification

2-2. Indoor units

AR9500

Type				AR9500	AR9500	AR9500
Model Name				AR07TXCAAWKNEU	AR09TXCAAWKNEU	AR12TXCAAWKNEU
Power Supply			Ø, #, V, Hz	1,2,220-240,50	1,2,220-240,50	1,2,220-240,50
Mode			-	HP	HP	HP
Performance	Capacity	Cooling	kW	2.0	2.5	3.5
			Btu/h	6,800	8,500	11,900
		Heating	kW	2.2	3.2	4.0
			Btu/h	7,500	10,900	13,600
Power	Power Input	Cooling	W	40	40	40
		Heating	W	40	40	40
	Current Input	Cooling	A	0.4	0.4	0.4
		Heating	A	0.4	0.4	0.4
Heat Exchanger	Type		-	Fin & Tube	Fin & Tube	Fin & Tube
	Material	Fin	-	Al	Al	Al
		Tube	-	Cu	Cu	Cu
	Fin Treatment		-	Green Hydrophile	Green Hydrophile	Green Hydrophile
Fan	Type		-	Cross Flow	Cross Flow	Cross Flow
	Quantity		EA	1	1	1
	Air Flow Rate	Cooling (T/H/M/L)	m ³ /min	10.7 / 9.7 / 8.6 / 7.1	11.1 / 10.1 / 8.6 / 7.1	12.1 / 10.6 / 9.1 / 7.1
			l/s	178 / 1612 / 143 / 118	185 / 168 / 143 / 118	202 / 177 / 152 / 118
		Heating (T/H/M/L)	m ³ /min	12.6 / 11.6 / 10.6 / 9.1	13.1 / 12.1 / 10.6 / 9.1	13.1 / 11.6 / 10.1 / 8.1
			l/s	210 / 194 / 177 / 152	218 / 202 / 177 / 152	218 / 193 / 168 / 135
Fan Motor	Type		-	BLDC	BLDC	BLDC
	Output		W x n	27 x 1	27 x 1	27 x 1
Piping Connections	Liquid Pipe	Type	-	Flare connection	Flare connection	Flare connection
		Φ, mm (inch)	-	6.35 (1/4)	6.35 (1/4)	6.35 (1/4)
	Gas Pipe	Type	-	Flare connection	Flare connection	Flare connection
		Φ, mm (inch)	-	9.52 (3/8)	9.52 (3/8)	9.52 (3/8)
	Heat Insulation		-	Both liquid and gas pipes	Both liquid and gas pipes	Both liquid and gas pipes
Drain Pipe		Φ, mm	16.3, 550	16.3, 550	16.3, 550	
Wiring connections	Communication	Min.	mm ²	0.75	0.75	0.75
		Remark	-	F1, F2	F1, F2	F1, F2
Refrigerant	Type		-	R32	R32	R32
	Electronic Expansion Valve		-	EEV NOT INCLUDED	EEV NOT INCLUDED	EEV NOT INCLUDED
Sound	Sound Pressure Level	H / Silent	dB(A)	37 / 19	38 / 19	40 / 19
	Sound Power Level		dB(A)	56	56	58

2. Specification

Type			AR9500	AR9500	AR9500
Model Name			AR07TXCAAWKNEU	AR09TXCAAWKNEU	AR12TXCAAWKNEU
External Dimension	Net Weight	kg	10.6	10.6	10.6
	Shipping Weight	kg	12.7	12.7	12.7
	Net Dimensions (WxHxD)	mm	889 x 299 x 215	889 x 299 x 215	889 x 299 x 215
	Shipping Dimensions (WxHxD)	mm	950 x 290 x 375	950 x 290 x 375	950 x 290 x 375
Casing	Material	-	HIPS	HIPS	HIPS

NOTE

- Specifications may be subject to change without prior notice.
- 1)* Capacities are based on (Equivalent refrigerant piping : 5m, Level differences : 0m)
 - Cooling : Indoor temperature : 27°C DB, 19°C WB / Outdoor temperature : 35°C DB, 24°C WB
 - Heating : Indoor temperature : 20°C DB, 15°C WB / Outdoor temperature : 7°C DB, 6°C WB
- 2)* Select wire size based on the value of MCA
- 3)* Sound pressure level is obtained in an anechoic room.
 - Sound pressure level is a relative value, depending on the distance and acoustic environment.
 - Sound pressure level may differ depending on operation condition.
 - dBA = A-weighted sound pressure level
 - Reference acoustic pressure 0 dB = 20uPa
- 4)* Sound power level is an absolute value that a sound source generates.
 - dBA = A-weighted sound power level
 - Reference power : 1pW
 - Measured according to ISO 3741
- 5)* These products contain R32 (GWP=675) which is fluorinated greenhouse gas.

2. Specification

2-2. Indoor units

(Wind-Free) 1 Way Cassette

Type				(Wind-Free) 1 Way Cassette	(Wind-Free) 1 Way Cassette
Model Name				AJ026TN1DKG/EU	AJ035TN1DKG/EU
Power Supply			Ø, #, V, Hz	1, 2, 220-240, 50	1, 2, 220-240, 50
Mode			-	HP	HP
Performance	Capacity (Nominal)	Cooling	kW	2.60	3.50
			Btu/h	8,900	11,900
		Heating	kW	2.90	3.80
			Btu/h	9,900	13,000
Power	Power Input (Nominal)	Cooling	W	30.00	30.00
		Heating	W	30.00	30.00
	Current Input (Nominal)	Cooling	A	0.30	0.30
		Heating	A	0.30	0.30
Heat Exchanger	Type		-	Fin & Tube	Fin & Tube
	Material	Fin	-	Al	Al
		Tube	-	Cu	Cu
	Fin Treatment		-	Green Hydrophile	Green Hydrophile
Fan	Type		-	Crossflow Fan	Crossflow Fan
	Quantity		EA	1	1
	Air Flow Rate		m ³ /min	7.3 / 6.5 / 5.8	9.0 / 8.2 / 7.2
			l/s	122 / 108 / 97	150 / 137 / 120
	External Static Pressure	Max. (Min/Std/Max)	mmAq	-	-
			Pa	-	-
Fan Motor	Type		-	BLDC	BLDC
	Output		W x n	27 x 1	27 x 1
Piping Connections	Liquid Pipe		Type	Flare connection	Flare connection
			Φ, mm (inch)	6.35 (1/4)	6.35 (1/4)
	Gas Pipe		Type	Flare connection	Flare connection
			Φ, mm (inch)	9.52 (3/8)	9.52 (3/8)
	Heat Insulation		-	Both liquid and gas pipes	Both liquid and gas pipes
	Drain Pipe		Φ, mm	VP20 (OD 25,ID 20)	VP20 (OD 25,ID 20)
Wiring connections	Communication	Min.	mm ²	0.75	0.75
		Remark	-	F1, F2	F1, F2
Refrigerant	Type		-	R32	R32
	Electronic Expansion Valve		-	EEV NOT INCLUDED	EEV NOT INCLUDED
Sound	Sound Pressure Level	H / Silent	dB(A)	32 / 29 / 26	37 / 35 / 30
	Sound Power Level		dB(A)	50	55
External Dimension	Net Weight		kg	9.5	9.5
	Shipping Weight		kg	12.5	12.5
	Net Dimensions (WxHxD)		mm	970 x 135 x 410	970 x 135 x 410
	Shipping Dimensions (WxHxD)		mm	1173 x 231 x 487	1173 x 231 x 487
Casing	Material		-	ABS	ABS

2. Specification

Type			(Wind-Free) 1 Way Cassette	(Wind-Free) 1 Way Cassette
Model Name			AJ026TN1DKG/EU	AJ035TN1DKG/EU
Panel 1	Model Name	-	PC1NWFMAN	PC1NWFMAN
	Type	-	Wind-Free	Wind-Free
	Material	-	HIPS	HIPS
	Color	-	White	White
	Net Weight	kg	4.3	4.3
	Shipping Weight	kg	6.3	6.3
	Net Dimensions (W×H×D)	mm	1,198 x 35 x 500	1,198 x 35 x 500
	Shipping Dimensions (W×H×D)	mm	1,262 x 122 x 566	1,262 x 122 x 566
Panel 2	Model Name	-	PC1NUSMAN	PC1NUSMAN
	Type	-	Normal	Normal
	Material	-	HIPS	HIPS
	Color	-	White	White
	Net Weight	kg	4.2	4.2
	Shipping Weight	kg	6.1	6.1
	Net Dimensions (W×H×D)	mm	1,180 x 25 x 460	1,180 x 25 x 460
	Shipping Dimensions (W×H×D)	mm	1,250 x 126 x 530	1,250 x 126 x 530
Additional Accessories	Drain pump		Built in	Built in
		Max. lifting Height / Displacement	mm / liter/h	750 / 24
	Air Filter		-	Option (Removable / Washable)

NOTE

- Specifications may be subject to change without prior notice.
- 1)* Capacities are based on (Equivalent refrigerant piping : 5m, Level differences : 0m)
 - Cooling : Indoor temperature : 27°C DB, 19°C WB / Outdoor temperature : 35°C DB, 24°C WB
 - Heating : Indoor temperature : 20°C DB, 15°C WB / Outdoor temperature : 7°C DB, 6°C WB
- 2)* Select wire size based on the value of MCA
- 3)* Sound pressure level is obtained in an anechoic room.
 - Sound pressure level is a relative value, depending on the distance and acoustic environment.
 - Sound pressure level may differ depending on operation condition.
 - dBA = A-weighted sound pressure level
 - Reference acoustic pressure 0 dB = 20uPa
- 4)* Sound power level is an absolute value that a sound source generates.
 - dBA = A-weighted sound power level
 - Reference power : 1pW
 - Measured according to ISO 3741
- 5)* These products contain R32 (GWP=675) which is fluorinated greenhouse gas.

2. Specification

2-2. Indoor units

(Wind-Free) 4Way Cassette (600x600)

Type				(Wind-Free) 4Way Cassette (600x600)	(Wind-Free) 4Way Cassette (600x600)	(Wind-Free) 4Way Cassette (600x600)
Model Name				AJ016TNNDKG/EU	AJ020TNNDKG/EU	AJ026TNNDKG/EU
Power Supply			Φ, #, V, Hz	1,2,220-240,50	1,2,220-240,50	1,2,220-240,50
Mode			-	HP	HP	HP
Performance	Capacity	Cooling	kW	1.60	2.00	2.60
			Btu/h	5,500	6,800	8,900
		Heating	kW	2.00	2.20	2.90
			Btu/h	6,800	7,500	9,900
Power	Power Input	Cooling	W	19.00	19.00	19.00
		Heating		19.00	19.00	19.00
	Current Input	Cooling	A	0.51	0.51	0.51
		Heating		0.51	0.51	0.51
Heat exchanger	Type		-	Fin & Tube	Fin & Tube	Fin & Tube
	Material	Fin	-	Al	Al	Al
		Tube	-	Cu	Cu	Cu
	Fin Treatment		-	Green Hydrophile	Green Hydrophile	Green Hydrophile
Fan	Type		-	Turbo Fan	Turbo Fan	Turbo Fan
	Quantity		EA	1	1	1
	Air Flow Rate		m ³ /min	9.0 / 8.2 / 6.9	9.0 / 8.2 / 6.9	9.0 / 8.2 / 6.9
			l/s	150 / 137 / 115	150 / 137 / 115	150 / 137 / 115
	External Static pressure	Max. (Min/Std/Max)	mmAq	-	-	-
			Pa	-	-	-
Fan Motor	Type		-	BLDC Motor	BLDC Motor	BLDC Motor
	Output x n		W	65 x1	65 x1	65 x1
Piping Connections	Liquid Pipe		Type	Flare connection	Flare connection	Flare connection
			Φ, mm (inch)	6.35 (1/4)	6.35 (1/4)	6.35 (1/4)
	Gas Pipe		Type	Flare connection	Flare connection	Flare connection
			Φ, mm (inch)	9.52 (3/8)	9.52 (3/8)	9.52 (3/8)
	Heat Insulation		-	Both liquid and gas pipes	Both liquid and gas pipes	Both liquid and gas pipes
Drain Pipe		Φ,mm	VP25 (OD 32,ID 25)	VP25 (OD 32,ID 25)	VP25 (OD 32,ID 25)	
Wiring connections	Communication	Min.	mm ²	0.75	0.75	0.75
		Remark	-	F1, F2	F1, F2	F1, F2
Refrigerant	Type		-	R32	R32	R32
	Electronic Expansion Valve		-	EEV NOT INCLUDED	EEV NOT INCLUDED	EEV NOT INCLUDED
Sound	Sound Pressure	H/M/L	dB(A)	33 / 29 / 24	33 / 29 / 24	33 / 29 / 24
	Sound Power	Cooling		49	49	49
External Dimension	Net Weight		kg	11.5	11.5	11.5
	Shipping Weight		kg	13.5	13.5	13.5
	Net Dimensions (W×H×D)		mm	575 x 250 x 575	575 x 250 x 575	575 x 250 x 575
	Shipping Dimensions (W×H×D)		mm	623 x 298 x 653	623 x 298 x 653	623 x 298 x 653
Casing	Material		-	Polypropylene	Polypropylene	Polypropylene

2. Specification

Type			(Wind-Free) 4Way Cassette (600x600)	(Wind-Free) 4Way Cassette (600x600)	(Wind-Free) 4Way Cassette (600x600)	
Model Name			AJ016TNNDKG/EU	AJ020TNNDKG/EU	AJ026TNNDKG/EU	
Panel 1	Model Name		-	PC4SUFMAN	PC4SUFMAN	PC4SUFMAN
	Type		-	Wind-Free	Wind-Free	Wind-Free
	Material		-	HIPS	HIPS	HIPS
	Color		-	DA White	DA White	DA White
	Net Weight		kg	2.7	2.7	2.7
	Shipping Weight		kg	3.9	3.9	3.9
	Net Dimensions (W×H×D)		mm	620 x 57 x 620	620 x 57 x 620	620 x 57 x 620
	Shipping Dimensions (W×H×D)		mm	670 x 120 x 655	670 x 120 x 655	670 x 120 x 655
Panel 2	Model Name		-	PC4SUSMBN	PC4SUSMBN	PC4SUSMBN
	Type		-	Normal (Waffle Type)	Normal (Waffle Type)	Normal (Waffle Type)
	Material		-	HIPS	HIPS	HIPS
	Color		-	White	White	White
	Net Weight		kg	2.7	2.7	2.7
	Shipping Weight		kg	3.5	3.5	3.5
	Net Dimensions (W×H×D)		mm	620 x 45 x 620	620 x 45 x 620	620 x 45 x 620
	Shipping Dimensions (W×H×D)		mm	667 x 102 x 655	667 x 102 x 655	667 x 102 x 655
Drain pump	Drain pump		-	Included	Included	Included
	Max. lifting Height / Displacement		mm / Liter/h	750 / 24	750 / 24	750 / 24
Additional Accessories	Drain pump	External Model	-	-	-	-
		Internal Model	-	-	-	-
		Max. lifting Height / Displacement	mm / liter/h	-	-	-
	Air Filter		-	Option (Removable / Washable)	Option (Removable / Washable)	Option (Removable / Washable)

NOTE

- Specifications may be subject to change without prior notice.
- 1)* Capacities are based on (Equivalent refrigerant piping : 5m, Level differences : 0m)
 - Cooling : Indoor temperature : 27°C DB, 19°C WB / Outdoor temperature : 35°C DB, 24°C WB
 - Heating : Indoor temperature : 20°C DB, 15°C WB / Outdoor temperature : 7°C DB, 6°C WB
- 2)* Select wire size based on the value of MCA
- 3)* Sound pressure level is obtained in an anechoic room.
 - Sound pressure level is a relative value, depending on the distance and acoustic environment.
 - Sound pressure level may differ depending on operation condition.
 - dBA = A-weighted sound pressure level
 - Reference acoustic pressure 0 dB = 20uPa
- 4)* Sound power level is an absolute value that a sound source generates.
 - dBA = A-weighted sound power level
 - Reference power : 1pW
 - Measured according to ISO 3741
- 5)* These products contain R32 (GWP=675) which is fluorinated greenhouse gas.

2. Specification

2-2. Indoor units

(Wind-Free) 4Way Cassette (600x600)

Type				(Wind-Free) 4Way Cassette (600x600)	(Wind-Free) 4Way Cassette (600x600)
Model Name				AJ035TNNDKG/EU	AJ052TNNDKG/EU
Power Supply			Φ, #, V, Hz	1,2,220-240,50	1,2,220-240,50
Mode			-	HP	HP
Performance	Capacity	Cooling	kW	3.50	5.20
			Btu/h	11,900	17,700
		Heating	kW	3.80	5.60
			Btu/h	13,000	19,100
Power	Power Input	Cooling	W	22.00	28.00
		Heating		22.00	28.00
	Current Input	Cooling	A	0.52	0.53
		Heating		0.52	0.53
Heat exchanger	Type		-	Fin & Tube	Fin & Tube
	Material	Fin	-	Al	Al
		Tube	-	Cu	Cu
	Fin Treatment		-	Green Hydrophile	Green Hydrophile
Fan	Type		-	Turbo Fan	Turbo Fan
	Quantity		EA	1	1
	Air Flow Rate		m ³ /min	10.5 / 9.0 / 7.4	10.5 / 9.0 / 7.4
			l/s	175 / 150 / 123	175 / 150 / 123
	External Static pressure	Max. (Min/Std/Max)	mmAq	-	-
			Pa	-	-
Fan Motor	Type		-	BLDC Motor	BLDC Motor
	Output x n		W	65 x 1	65 x 1
Piping Connections	Liquid Pipe		Type	Flare connection	Flare connection
			Φ, mm (inch)	6.35 (1/4)	6.35 (1/4)
	Gas Pipe		Type	Flare connection	Flare connection
			Φ, mm (inch)	9.52 (3/8)	12.7 (1/2)
	Heat Insulation		-	Both liquid and gas pipes	Both liquid and gas pipes
Drain Pipe		Φ,mm	VP25 (OD 32,ID 25)	VP25 (OD 32,ID 25)	
Wiring connections	Communication	Min.	mm ²	0.75	0.75
		Remark	-	F1, F2	F1, F2
Refrigerant	Type		-	R32	R32
	Electronic Expansion Valve		-	EEV NOT INCLUDED	EEV NOT INCLUDED
Sound	Sound Pressure	H/M/L	dB(A)	35 / 31 / 27	39 / 36 / 32
	Sound Power	Cooling		53	55
External Dimension	Net Weight		kg	11.5	11.8
	Shipping Weight		kg	13.5	13.8
	Net Dimensions (W×H×D)		mm	575 x 250 x 575	575 x 250 x 575
	Shipping Dimensions (W×H×D)		mm	623 x 298 x 653	623 x 298 x 653
Casing	Material		-	Polypropylene	Polypropylene

2. Specification

Type			(Wind-Free) 4Way Cassette (600x600)	(Wind-Free) 4Way Cassette (600x600)
Model Name			AJ035TNNDKG/EU	AJ052TNNDKG/EU
Panel 1	Model Name	-	PC4SUFMAN	PC4SUFMAN
	Type	-	Wind-Free	Wind-Free
	Material	-	HIPS	HIPS
	Color	-	DA White	DA White
	Net Weight	kg	2.7	2.7
	Shipping Weight	kg	3.9	3.9
	Net Dimensions (W×H×D)	mm	620 x 57 x 620	620 x 57 x 620
	Shipping Dimensions (W×H×D)	mm	670 x 120 x 655	670 x 120 x 655
Panel 2	Model Name	-	PC4SUSMBN	PC4SUSMBN
	Type	-	Normal (Waffle Type)	Normal (Waffle Type)
	Material	-	HIPS	HIPS
	Color	-	White	White
	Net Weight	kg	2.7	2.7
	Shipping Weight	kg	3.5	3.5
	Net Dimensions (W×H×D)	mm	620 x 45 x 620	620 x 45 x 620
	Shipping Dimensions (W×H×D)	mm	667 x 102 x 655	667 x 102 x 655
Drain pump	Drain pump	-	Included	Included
	Max. lifting Height / Displacement	mm / Liter/h	750 / 24	750 / 24
Additional Accessories	Drain pump	External Model	-	-
		Internal Model	-	-
		Max. lifting Height / Displacement	mm / liter/h	-
	Air Filter	-	Option (Removable / Washable)	Option (Removable / Washable)

NOTE

- Specifications may be subject to change without prior notice.
- 1)* Capacities are based on (Equivalent refrigerant piping : 5m, Level differences : 0m)
 - Cooling : Indoor temperature : 27°C DB, 19°C WB / Outdoor temperature : 35°C DB, 24°C WB
 - Heating : Indoor temperature : 20°C DB, 15°C WB / Outdoor temperature : 7°C DB, 6°C WB
- 2)* Select wire size based on the value of MCA
- 3)* Sound pressure level is obtained in an anechoic room.
 - Sound pressure level is a relative value, depending on the distance and acoustic environment.
 - Sound pressure level may differ depending on operation condition.
 - dBA = A-weighted sound pressure level
 - Reference acoustic pressure 0 dB = 20uPa
- 4)* Sound power level is an absolute value that a sound source generates.
 - dBA = A-weighted sound power level
 - Reference power : 1pW
 - Measured according to ISO 3741
- 5)* These products contain R32 (GWP=675) which is fluorinated greenhouse gas.

2. Specification

2-2. Indoor units

Duct

Type			Home Duct	Home Duct	Home Duct	
Model			AJ026TNLDEG/EU	AJ035TNLDEG/EU	AJ052TNMDEG/EU	
Power Supply		Φ, #, V, Hz	1,2,220-240,50	1,2,220-240,50	1,2,220-240,50	
Mode		-	HP	HP	HP	
Performance	Capacity (Nominal)	Cooling 2)	kW	2.6	3.5	5.2
			Btu/h	8,900	11,900	17,700
		Heating 2)	kW	2.9	3.8	5.6
			Btu/h	9,900	13,000	19,100
Power	Power Input (Nominal)	Cooling 1)	W	80	80	170
		Heating 2)		80	80	170
	Current Input (Nominal)	Cooling 1)	A	0.4	0.4	1.04
		Heating 2)		0.4	0.4	1.04
Fan	Motor	Type	-	Sirroco Fan / SSR	Sirroco Fan / SSR	Sirroco Fan / SSR
		Output x n	W	25 x1	25 x1	200 x1
	Air Flow Rate	H/M/L (UL)	CMM	8.6 / 7.6 / 6.6	9.8 / 8.8 / 7.8	16.3 / 15.0 / 13.5
			l/s	143 / 127 / 110	163 / 147 / 130	272 / 250 / 225
	External Pressure	Min / Std / Max	mmAq	0 / 2 / 4	0 / 2 / 4	0 / 4 / 6
Pa			0 / 19.6 / 39.2	0 / 19.6 / 39.2	0 / 39.2 / 58.8	
Piping Connections	Liquid Pipe		Φ,mm	6.35	6.35	6.35
			Φ, inch	1/4	1/4	1/4
	Gas Pipe		Φ,mm	9.52	9.52	12.7
			Φ, inch	3/8	3/8	1/2
Drain Pipe		Φ,mm	VP25 (OD 32, ID 25)	VP25 (OD 32, ID 25)	VP25 (OD 32, ID 25)	
Field Wiring	Power Source Wire		mm ²	1.5 ~ 2.5	1.5 ~ 2.5	1.5 ~ 2.5
	Transmission Cable		mm ²	0.75 ~ 1.50	0.75 ~ 1.50	0.75 ~ 1.50
Refrigerant	Type		-	R32	R32	R32
	Control Method		-	EEV NOT INCLUDED	EEV NOT INCLUDED	EEV NOT INCLUDED
Sound	Sound Pressure	H/M/L	dB(A)	33 / 29 / 23	34 / 30 / 25	42 / 41 / 39
	Sound Power	Cooling		50	50	59
Dimensions	Net Weight		kg	14.8	14.8	28.3
	Shipping Weight		kg	17.7	17.7	33.5
	Net Dimensions (W×H×D)		mm	700 x 199 x 440	700 x 199 x 440	900 x 260 x 480
	Shipping Dimensions (W×H×D)		mm	949 x 280 x 544	949 x 280 x 544	1,170 x 340 x 595
Casing	Material		-	HIPS	HIPS	HIPS
Drain pump	Drain pump		-	NOT INCLUDED	NOT INCLUDED	NOT INCLUDED
	Max. lifting Height / Displacement		mm / Liter/h	-	-	-

2. Specification

Type				Home Duct	Home Duct	Home Duct
Model				AJ026TNLDEG/EU	AJ035TNLDEG/EU	AJ052TNMDEG/EU
Additional Accessories	Drain pump	External Model	-	-	-	-
		Internal Model	-	-	-	Optional MDP-M075SGU3D
		Max. lifting Height / Displacement	mm / liter/ h	-	-	750/24
	Air Filter		-	Removable / Washable	Removable / Washable	Removable / Washable

NOTE

- Specifications may be subject to change without prior notice.
- 1)* Capacities are based on (Equivalent refrigerant piping : 5m, Level differences : 0m)
 - Cooling : Indoor temperature : 27°C DB, 19°C WB / Outdoor temperature : 35°C DB, 24°C WB
 - Heating : Indoor temperature : 20°C DB, 15°C WB / Outdoor temperature : 7°C DB, 6°C WB
- 2)* Select wire size based on the value of MCA
- 3)* Sound pressure level is obtained in an anechoic room.
 - Sound pressure level is a relative value, depending on the distance and acoustic environment.
 - Sound pressure level may differ depending on operation condition.
 - dBA = A-weighted sound pressure level
 - Reference acoustic pressure 0 dB = 20uPa
- 4)* Sound power level is an absolute value that a sound source generates.
 - dBA = A-weighted sound power level
 - Reference power : 1pW
 - Measured according to ISO 3741
- 5)* These products contain R32 (GWP=675) which is fluorinated greenhouse gas.

2. Specification

2-2. Indoor units

Console

Type				Console	Console	Console
Model Name				AJ026TNJDKG/EU	AJ035TNJDKG/EU	AJ052TNJDKG/EU
Power Supply		Φ, #, V, Hz		1,2,220-240,50	1,2,220-240,50	1,2,220-240,50
Mode		-		HP	HP	HP
Performance	Capacity	Cooling	kW	2.6	3.5	5.2
			Btu/h	8,900	11,900	17,700
		Heating	kW	2.9	3.8	5.6
			Btu/h	9,900	13,000	19,100
Power	Power Input	Cooling	W	30	35	50
		Heating		30	35	50
	Current Input	Cooling	A	0.25	0.29	0.35
		Heating		0.25	0.29	0.35
Heat exchanger	Type		-	Fin & Tube	Fin & Tube	Fin & Tube
	Material	Fin	-	Al	Al	Al
		Tube	-	Cu	Cu	Cu
	Fin Treatment		-	Green Hydrophile	Green Hydrophile	Green Hydrophile
Fan	Type		-	Turbo Fan	Turbo Fan	Turbo Fan
	Quantity		EA	1	1	1
	Air Flow Rate		m ³ /min	9.0 / 7.8 / 6.7	10.5 / 9.3 / 8.2	11.2 / 9.9 / 8.6
			l/s	150 / 130 / 112	175 / 155 / 137	187 / 165 / 143
	External Static pressure	Max. (Min/Std/Max)	mmAq	-	-	-
Pa			-	-	-	
Fan Motor	Type		-	BLDC	BLDC	BLDC
	Output x n		W	35 x 1	35 x 1	35 x 1
Piping Connections	Liquid Pipe		Type	Flare connection	Flare connection	Flare connection
			Φ, mm (inch)	6.35 (1/4)	6.35 (1/4)	6.35 (1/4)
	Gas Pipe		Type	Flare connection	Flare connection	Flare connection
			Φ, mm (inch)	9.52 (3/8)	9.52 (3/8)	12.7 (1/2)
	Heat Insulation		-	Both liquid and gas pipes	Both liquid and gas pipes	Both liquid and gas pipes
Drain Pipe		Φ,mm	VP25 (OD 32, ID 25)	VP25 (OD 32, ID 25)	VP25 (OD 32, ID 25)	
Wiring connections	Communication	Min.	mm ²	0.75	0.75	0.75
		Remark	-	F1, F2	F1, F2	F1, F2
Refrigerant	Type		-	R32	R32	R32
	Electronic Expansion Valve		-	EEV NOT INCLUDED	EEV NOT INCLUDED	EEV NOT INCLUDED
Sound	Sound Pressure	H/M/L	dB(A)	36 / 32 / 27	38 / 35 / 30	43 / 39 / 32
	Sound Power	Cooling		53	57	60
External Dimension	Net Weight		kg	15.7	15.7	15.7
	Shipping Weight		kg	20.0	20.0	20.0
	Net Dimensions (W×H×D)		mm	720 x 620 x 199	720 x 620 x 199	720 x 620 x 199
	Shipping Dimensions (W×H×D)		mm	805 x 705 x 295	805 x 705 x 295	805 x 705 x 295
Casing	Material		-	HIPS	HIPS	HIPS

2. Specification

Type			Console	Console	Console	
Model Name			AJ026TNJDKG/EU	AJ035TNJDKG/EU	AJ052TNJDKG/EU	
Drain pump	Drain pump		-	NOT INCLUDED	NOT INCLUDED	NOT INCLUDED
	Max. lifting Height / Displacement		mm / Liter/h	-	-	-
Additional Accessories	Drain pump	External Model	-	-	-	-
		Internal Model	-	-	-	-
		Max. lifting Height / Displacement	mm / liter/h	-	-	-
	SPI		-	Default	Default	Default
	Air Filter		-	Removable / Washable	Removable / Washable	Removable / Washable

NOTE

- Specifications may be subject to change without prior notice.
- 1)* Capacities are based on (Equivalent refrigerant piping : 5m, Level differences : 0m)
 - Cooling : Indoor temperature : 27°C DB, 19°C WB / Outdoor temperature : 35°C DB, 24°C WB
 - Heating : Indoor temperature : 20°C DB, 15°C WB / Outdoor temperature : 7°C DB, 6°C WB
- 2)* Select wire size based on the value of MCA
- 3)* Sound pressure level is obtained in an anechoic room.
 - Sound pressure level is a relative value, depending on the distance and acoustic environment.
 - Sound pressure level may differ depending on operation condition.
 - dBA = A-weighted sound pressure level
 - Reference acoustic pressure 0 dB = 20uPa
- 4)* Sound power level is an absolute value that a sound source generates.
 - dBA = A-weighted sound power level
 - Reference power : 1pW
 - Measured according to ISO 3741
- 5)* These products contain R32 (GWP=675) which is fluorinated greenhouse gas.

3. Electric Characteristics

Capacity (Cooling) kW	Model	Power Supply		Voltage Range		Nominal Running Current [A]		Current [A]		ODU Fan Motor kW
		Hz	Voltage	Min. (-15%)	Max. (+15%)	Cooling	Heating	MCA	MFA	
4.0	AJ040TXJ2KG/EU	50	220~240	198	264	4.1	4.1	9.8	11.25	0.04
5.0	AJ050TXJ2KG/EU	50	220~240	198	264	5.6	5.9	11.8	13.75	0.04
5.2	AJ052TXJ3KG/EU	50	220~240	198	264	5.5	6.1	11.9	13.75	0.125
6.8	AJ068TXJ3KG/EU	50	220~240	198	264	8.1	8.2	17.5	20.75	0.125
8.0	AJ080TXJ4KG/EU	50	220~240	198	264	8.9	9.5	17.8	20.75	0.125
10.0	AJ100TXJ5KG/EU	50	220~240	198	264	12.2	12.8	24.5	28.75	0.125

NOTE

- MCA : Minimum circuit amperes
- MFA : Maximum fuse amperes
- Select wire size based on the value of MCA

4. Combination Table

4-1 AJ040TXJ2KG/EU

COOLING

Outdoor unit		A	B	Cooling Capacity		Capacity			Power Consumption			Current			Effic. NOM. Cooling. At 35°C/27°C	SEASONAL EFFICIENCY (ACCORDING EN14825)	SEER	Qce
				W		W			W			A						
				A	B	MIN	STD	MAX	MIN	STD	MAX	MIN	STD	MAX	EER	Class	kWh	
AJ040TXJ2KG	2 Unit	7	7	2000	2000	1300	4000	4700	300	900	1250	1.7	4.1	5.7	4.44	A+++	8.54	164
		7	9	1780	2220	1300	4000	4700	350	920	1270	1.9	4.2	5.8	4.35	A+++	8.51	165
		7	12	1450	2550	1300	4000	4700	350	930	1280	1.9	4.3	5.9	4.3	A+++	8.51	165
		9	9	2000	2000	1300	4000	4700	350	940	1290	1.9	4.3	5.9	4.26	A+++	8.51	165
		9	12	1670	2330	1300	4000	4700	350	950	1300	1.9	4.3	5.9	4.21	A+++	8.51	165

HEATING

Outdoor unit		A	B	Heating Capacity		Capacity			Power Consumption			Current			Effic. NOM. Heating. At 7°C/20°C	SEASONAL EFFICIENCY (ACCORDING EN14825)	SCOP	P design	Qhe
				W		W			W			A							
				A	B	MIN	STD	MAX	MIN	STD	MAX	MIN	STD	MAX	COP	Class	kW	kWh	
AJ040TXJ2KG	2 Unit	7	7	2100	2100	1000	4200	4700	280	900	1180	1.4	4.1	5.4	4.67	A++	4.64	3.05	922
		7	9	1840	2360	1000	4200	4700	280	920	1190	1.4	4.2	5.4	4.57	A++	4.61	3.05	927
		7	12	1550	2650	1000	4200	4700	280	930	1200	1.4	4.3	5.5	4.52	A++	4.61	3.05	927
		9	9	2100	2100	1000	4200	4700	280	940	1210	1.4	4.3	5.5	4.47	A++	4.61	3.05	927
		9	12	1800	2400	1000	4200	4700	280	950	1220	1.4	4.3	5.6	4.42	A++	4.61	3.05	927

NOTE

- 1 EER and COP declared only for the purpose of tax deductions in force at the time of the creation of this catalog.
- 2 The above is the value for connecting with the following indoor units.
 - Wind Free(PRM) : AR07TXCAAWK, AR09TXCAAWK, AR12TXCAAWK
- 3 You can not connect a single unit.
- 4 Power consumption include indoor unit power.

4. Combination Table

4-2 AJ050TXJ2KG/EU

COOLING

Outdoor unit		A	B	Cooling Capacity		Capacity			Power Consumption			Current			Effic. NOM. Cooling. At 35°C/27°C	SEASONAL EFFICIENCY (ACCORDING EN14825)	SEER	Qce
				W		W			W			A						
				A	B	MIN	STD	MAX	MIN	STD	MAX	MIN	STD	MAX	EER	Class	kWh	
AJ050TXJ2KG	2 Unit	7	7	2000	2000	1300	4000	4700	350	980	1290	1.9	4.5	5.9	4.08	A+++	8.51	165
		7	9	2040	2560	1300	4600	5200	350	1120	1520	1.9	5.1	7	4.11	A+++	8.51	189
		7	12	1820	3180	1400	5000	5500	350	1230	1510	1.9	5.6	6.9	4.07	A+++	8.51	206
		7	18	1430	3570	1400	5000	5500	350	1200	1510	1.9	5.5	6.9	4.15	A+++	8.51	206
		9	9	2500	2500	1400	5000	5500	350	1220	1500	1.9	5.6	6.9	4.1	A+++	8.54	205
		9	12	2080	2920	1400	5000	5500	350	1230	1510	1.9	5.6	6.9	4.07	A+++	8.51	206
		9	18	1670	3330	1400	5000	5500	350	1230	1510	1.9	5.5	6.9	4.15	A+++	8.51	206
		12	12	2500	2500	1400	5000	5500	350	1240	1520	1.9	5.7	7	4.03	A+++	8.51	206
		12	18	2060	2940	1400	5000	5500	350	1240	1520	1.9	5.6	7	4.15	A+++	8.51	206

HEATING

Outdoor unit		A	B	Heating Capacity		Capacity			Power Consumption			Current			Effic. NOM. Heating. At 7°C/20°C	SEASONAL EFFICIENCY (ACCORDING EN14825)	SCOP	p design	Qhe
				W		W			W			A							
				A	B	MIN	STD	MAX	MIN	STD	MAX	MIN	STD	MAX	COP	Class	kW	kWh	
AJ050TXJ2KG	2 Unit	7	7	2200	2200	1400	4400	4700	280	1010	1210	1.4	4.6	5.5	4.36	A++	4.61	3.05	927
		7	9	2040	3060	1400	5100	5460	280	1310	1610	1.4	6	7.4	3.89	A++	4.61	4.21	1277
		7	12	2020	3680	1400	5600	6300	280	1290	1710	1.4	5.9	7.8	4.34	A++	4.61	4.21	1277
		7	18	1530	4170	1400	5600	6300	280	1270	1710	1.4	5.7	7.8	4.41	A++	4.61	4.07	1237
		9	9	2850	2850	1400	5600	6300	280	1280	1700	1.4	5.9	7.8	4.38	A++	4.64	4.21	1270
		9	12	2580	3120	1400	5600	6300	280	1290	1710	1.4	5.9	7.8	4.34	A++	4.61	4.21	1277
		9	18	2020	3680	1400	5600	6300	280	1270	1710	1.4	5.7	7.8	4.41	A++	4.61	4.07	1237
		12	12	2850	2850	1400	5600	6300	280	1300	1720	1.4	5.9	7.9	4.31	A++	4.61	4.21	1277
		12	18	2280	3420	1400	5600	6300	280	1280	1720	1.4	5.8	7.9	4.38	A++	4.61	4.07	1237

NOTE

- 1 EER and COP declared only for the purpose of tax deductions in force at the time of the creation of this catalog.
- 2 The above is the value for connecting with the following indoor units.
 - Wind Free(PRM) : AR07TXCAAWK, AR09TXCAAWK, AR12TXCAAWK
- 3 You can not connect a single unit.
- 4 Power consumption include indoor unit power.

4. Combination Table

4-3 AJ052TXJ3KG/EU

COOLING

Outdoor unit	A	B	C	Cooling Capacity			Capacity			Power Consumption			Current			Effic. NOM. Cooling. At 35°C/27°C	SEASONAL EFFICIENCY (ACCORDING EN14825)	SEER	Qce kWh	
				W			W			W			A							
				A	B	C	MIN	STD	MAX	MIN	STD	MAX	MIN	STD	MAX	MIN	STD	MAX	EER	Class
AJ052TXJ3KG	2 Unit	7	7		2000	2000		1100	4000	4800	320	1020	1630	2	4.5	7.5	3.92	A++	8.08	173
		7	9		2040	2560		1100	4600	5520	320	1170	1850	2	5.2	8.5	3.93	A++	7.73	208
		7	12		1820	3180		1100	5000	6290	320	1260	2000	2	5.6	9.2	3.97	A++	8.15	215
		7	18		1490	3710		1200	5200	6600	320	1300	2040	2	5.7	9.3	4.00	A++	7.85	232
		9	9		2500	2500		1100	5000	5800	320	1160	1980	2	5.1	9.1	4.30	A+++	8.51	206
		9	12		2080	2920		1100	5000	6400	320	1250	2020	2	5.5	9.2	4.00	A++	8.16	214
		9	18		1730	3470		1200	5200	6800	320	1300	2070	2	5.7	9.5	4.00	A++	7.85	232
	12	12		2600	2600		1100	5200	6560	320	1300	2040	2	5.7	9.3	4.00	A++	8.16	214	
	3 Unit	7	7	7	1730	1730	1740	1450	5200	6380	330	1280	2020	2	5.7	9.2	4.06	A++	7.68	237
		7	7	9	1600	1600	2000	1450	5200	6490	330	1290	2040	2	5.7	9.3	4.03	A++	7.67	237
		7	7	12	1390	1390	2420	1450	5200	6800	330	1270	2070	2	5.6	9.5	4.09	A++	7.69	237
		7	9	9	1480	1860	1860	1450	5200	6600	330	1260	2040	2	5.6	9.3	4.13	A++	7.7	236
		7	9	12	1300	1630	2270	1450	5200	6800	330	1270	2070	2	5.6	9.5	4.11	A++	7.69	237
		9	9	9	1730	1730	1740	1450	5200	6800	330	1250	2070	2	5.5	9.5	4.16	A++	7.7	236
		9	9	12	1530	1530	2140	1450	5200	6800	330	1250	2070	2	5.5	9.5	4.16	A++	8.08	225

HEATING

Outdoor unit	A	B	C	Heating Capacity			Capacity			Power Consumption			Current			Effic. NOM. Heating. At 7°C/20°C	SEASONAL EFFICIENCY (ACCORDING EN14825)	SCOP	P design kW	Qhe kWh	
				W			W			W			A								
				A	B	C	MIN	STD	MAX	MIN	STD	MAX	MIN	STD	MAX	MIN	STD	MAX	COP	Class	
AJ052TXJ3KG	2 Unit	7	7		2200	2200		950	4400	5060	280	1150	1510	1.7	5.4	6.9	3.83	A+	4.40	3.05	970
		7	9		2040	3060		950	5100	5870	280	1320	1830	1.7	6.1	8.4	3.86	A+	4.35	4.21	1352
		7	12		1990	3610		950	5600	6440	280	1450	1860	1.7	6.7	8.5	3.86	A+	4.34	4.60	1484
		7	18		1610	4390		950	6000	6900	280	1570	1860	1.7	7.2	8.5	3.82	A+	4.27	4.28	1401
		9	9		2900	2900		950	5800	6300	280	1510	1910	1.7	6.9	8.7	3.84	A++	4.60	4.60	1400
		9	12		2620	3180		950	5800	6300	280	1510	1910	1.7	6.9	8.7	3.84	A+	4.34	4.60	1484
		9	18		2240	4060		950	6300	7300	280	1640	1830	1.7	7.5	8.4	3.84	A+	4.27	4.28	1401
	12	12		2950	2950		950	5900	6880	280	1530	1860	1.7	7.0	8.5	3.86	A+	4.34	4.60	1484	
	3 Unit	7	7	7	1930	1930	1940	1000	5800	6760	280	1500	1840	1.7	6.9	8.4	3.87	A+	4.30	4.60	1497
		7	7	9	1690	1690	2520	1000	5900	6840	280	1550	1840	1.7	7.1	8.4	3.81	A+	4.30	4.60	1497
		7	7	12	1650	1650	3000	1000	6300	7300	280	1560	1830	1.7	7.1	8.4	4.04	A+	4.30	4.60	1497
		7	9	9	1500	2250	2250	1000	6000	6920	280	1500	1840	1.7	6.9	8.4	4.00	A+	4.30	4.60	1497
		7	9	12	1460	2190	2650	1000	6300	7300	280	1530	1830	1.7	7.0	8.4	4.12	A+	4.30	4.60	1497
		9	9	9	2100	2100	2100	1000	6300	7300	280	1320	1830	1.7	6.1	8.4	4.77	A+	4.30	4.60	1497
		9	9	12	1850	1850	2600	1000	6300	7300	280	1320	1830	1.7	6.1	8.4	4.77	A+	4.30	4.60	1497

NOTE

- EER and COP declared only for the purpose of tax deductions in force at the time of the creation of this catalog.
- The above is the value for connecting with the following indoor units.
 - Wind Free (PRM) : AR07TXCAAWK, AR09TXCAAWK, AR12TXCAAWK
- You can not connect a single unit.
- Power consumption include indoor unit power.

4. Combination Table

4-4 AJ068TXJ3KG/EU

COOLING

Outdoor unit	A	B	C	Cooling Capacity			Capacity			Power Consumption			Current			Effic. NOM. Cooling. At 35°C/27°C	SEASONAL EFFICIENCY (ACCORDING EN14825)	SEER	Qce	
				W			W			W			A							
				A	B	C	MIN	STD	MAX	MIN	STD	MAX	MIN	STD	MAX	MIN	STD	MAX	EER	Class
AJ068TXJ3KG/EU	2 Unit	7	7		2000	2000		1300	4000	4800	420	1110	1480	2.3	5.2	6.8	3.60	A++	7.55	185
		7	9		2000	2500		1300	4500	5520	420	1270	1680	2.3	5.9	7.7	3.54	A++	7.47	211
		7	12		2000	3500		1300	5500	6550	420	1500	2470	2.3	6.9	11.3	3.50	A++	7.14	270
		7	18		1860	4640		1300	6500	7740	420	1660	2690	2.3	7.6	12.3	3.62	A++	7.54	302
		9	9		2500	2500		1300	5000	5950	420	1430	2260	2.3	6.6	10.3	3.50	A++	7.55	232
		9	12		2500	3500		1300	6000	7140	420	1650	2670	2.3	7.5	12.2	3.64	A++	7.48	281
		9	18		2270	4530		1380	6800	8090	430	1870	2660	2.3	8.5	12.2	3.64	A++	7.57	314
		12	12		3250	3250		1300	6500	7740	420	1770	2700	2.3	8.0	12.4	3.67	A++	7.56	301
		12	18		2800	4000		1380	6800	8090	430	1880	2670	2.3	8.5	12.2	3.62	A++	7.56	315
	18	18		3400	3400		1380	6800	8090	430	1850	2660	2.3	8.4	12.2	3.68	A++	7.58	314	
	3 Unit	7	7	7	2000	2000	2000	1800	6000	7400	440	1620	2650	2.3	7.4	12.1	3.70	A++	7.62	276
		7	7	9	2000	2000	2500	1800	6500	8000	440	1770	2690	2.3	8.0	12.3	3.67	A++	7.64	298
		7	7	12	1810	1810	3180	1800	6800	8400	440	1850	2700	2.3	8.4	12.4	3.68	A++	7.67	310
		7	7	18	1510	1510	3780	1800	6800	8400	440	1800	2690	2.3	8.1	12.3	3.78	A++	7.69	309
		7	9	9	1860	2320	2320	1800	6500	8000	440	1670	2690	2.3	7.6	12.3	3.90	A++	7.75	293
		7	9	12	1700	2130	2970	1800	6800	8400	440	1840	2690	2.3	8.3	12.3	3.70	A++	7.67	310
		7	9	18	1430	1790	3580	1800	6800	8400	440	1830	2690	2.3	8.3	12.3	3.72	A++	7.68	310
		7	12	12	1520	2640	2640	1800	6800	8400	440	1830	2700	2.3	8.3	12.4	3.72	A++	7.68	310
		7	12	18	1300	2270	3230	1800	6800	8400	440	1830	2700	2.3	8.3	12.4	3.72	A++	7.68	310
		9	9	9	2260	2270	2270	1800	6800	8400	440	1820	2690	2.3	8.3	12.3	3.74	A++	7.68	310
		9	9	12	2000	2000	2800	1800	6800	8400	440	1820	2700	2.3	8.3	12.4	3.74	A++	7.68	310
		9	9	18	1700	1700	3400	1800	6800	8400	440	1810	2690	2.3	8.2	12.3	3.76	A++	7.69	310
		9	12	12	1780	2510	2510	1800	6800	8400	440	1810	2700	2.3	8.2	12.4	3.76	A++	7.69	310
		9	12	18	1550	2160	3090	1800	6800	8400	440	1800	2700	2.3	8.1	12.4	3.78	A++	7.69	309
		12	12	12	2260	2270	2270	1800	6800	8400	440	1800	2710	2.3	8.1	12.4	3.78	A++	7.69	309

4. Combination Table

HEATING

Outdoor unit	A	B	C	Heating Capacity			Capacity			Power Consumption			Current			Effic. NOM. Heating. At 7°C/20°C	SEASONAL EFFICIENCY (ACCORDING EN14825)	SCOP	P design	Qhe	
				W			W			W			A								
				A	B	C	MIN	STD	MAX	MIN	STD	MAX	MIN	STD	MAX						COP
AJ068TXJ3KG/EU	2 Unit	7	7		2200	2200		1400	4400	5060	380	1150	1600	1.9	4.9	7.3	3.83	A+	4.25	3.05	1006
		7	9		2200	3300		1400	5500	6330	380	1400	2000	1.9	6.0	9.2	3.93	A+	4.2	4.21	1401
		7	12		2200	4000		1400	6200	7130	380	1590	2300	1.9	6.8	10.5	3.90	A+	4.17	4.52	1517
		7	18		2090	5710		1400	7800	8970	380	1880	2700	1.9	8.5	12.4	4.14	A+	4.26	5.65	1856
		9	9		3300	3300		1400	6600	7590	380	1770	2600	1.9	7.5	11.9	3.73	A+	4.22	4.91	1628
		9	12		3300	4000		1400	7300	8400	380	1870	2600	1.9	8.0	11.9	3.90	A+	4.19	5.09	1699
		9	18		2770	5030		1400	7800	8970	380	1940	2800	1.9	8.7	12.8	4.02	A+	4.23	5.09	1683
		12	12		3900	3900		1400	7800	8970	380	1910	2700	1.9	8.6	12.4	4.08	A+	4.27	5.09	1668
		12	18		3200	4800		1400	8000	9200	380	1990	2800	1.9	9.0	12.8	4.02	A+	4.23	5.09	1683
	18	18		4000	4000		1400	8000	9200	380	1980	2800	1.9	8.9	12.8	4.04	A+	4.28	5.65	1847	
	3 Unit	7	7	7	2200	2200	2200	1400	6600	8100	380	1540	2400	1.9	6.6	11.0	4.28	A+	4.24	5.65	1867
		7	7	9	2200	2200	3300	1400	7700	9500	380	1780	2500	1.9	8.1	11.4	4.32	A+	4.24	5.65	1867
		7	7	12	2100	2100	3800	1400	8000	9800	380	1870	2600	1.9	8.5	11.9	4.28	A+	4.26	5.65	1856
		7	7	18	1690	1690	4620	1400	8000	9800	380	1860	2600	1.9	8.4	11.9	4.30	A+	4.26	5.65	1856
		7	9	9	2000	3000	3000	1400	8000	9800	380	1810	2500	1.9	8.2	11.4	4.42	A+	4.32	5.65	1833
		7	9	12	1850	2780	3370	1400	8000	9800	380	1830	2600	1.9	8.3	11.9	4.37	A+	4.24	5.65	1867
		7	9	18	1530	2300	4170	1400	8000	9800	380	1860	2600	1.9	8.4	11.9	4.30	A+	4.24	5.65	1867
		7	12	12	1720	3140	3140	1400	8000	9800	380	1860	2600	1.9	8.4	11.9	4.30	A+	4.24	5.65	1867
		7	12	18	1450	2620	3930	1400	8000	9800	380	1860	2600	1.9	8.4	11.9	4.30	A+	4.24	5.65	1867
		9	9	9	2660	2670	2670	1400	8000	9800	380	1850	2600	1.9	8.4	11.9	4.32	A+	4.24	5.65	1867
		9	9	12	2490	2490	3020	1400	8000	9800	380	1850	2600	1.9	8.4	11.9	4.32	A+	4.26	5.65	1856
		9	9	18	2100	2100	3800	1400	8000	9800	380	1870	2600	1.9	8.5	11.9	4.28	A+	4.26	5.65	1856
		9	12	12	2340	2830	2830	1400	8000	9800	380	1870	2600	1.9	8.5	11.9	4.28	A+	4.24	5.65	1867
		9	12	18	1980	2410	3610	1400	8000	9800	380	1890	2700	1.9	8.6	12.4	4.23	A+	4.24	5.65	1867
		12	12	12	2660	2670	2670	1400	8000	9800	380	1810	2600	1.9	8.2	11.9	4.42	A+	4.32	5.65	1833

NOTE

- 1 EER and COP declared only for the purpose of tax deductions in force at the time of the creation of this catalog.
- 2 The above is the value for connecting with the following indoor units.
 - Wind Free(PRM) : AR07TXCAAWK, AR09TXCAAWK, AR12TXCAAWK
- 3 You can not connect a single unit.
- 4 Power consumption include indoor unit power.

4. Combination Table

4-5 AJ080TXJ4KG/EU

COOLING

Outdoor unit	A	B	C	D	Cooling Capacity				Capacity			Power Consumption			Current			Effic. NOM. Cooling. At 35°C/27°C EER	SEASONAL EFFICIENCY (ACCORDING EN14825) Class	SEER	Qce		
					W				W			W			A								
					A	B	C	D	MIN	STD	MAX	MIN	STD	MAX	MIN	STD	MAX				MIN	STD	MAX
AJ080TXJ4KG	2 Unit	7	7			2000	2000			1640	4000	4800	410	1110	1490	1.9	4.9	6.8	3.60	A++	755	185	
		7	9			2040	2560			1690	4600	5520	420	1310	1720	1.9	5.8	7.9	3.51	A++	747	216	
		7	12			2000	3500			1770	5500	6600	430	1570	2050	2.0	6.9	9.4	3.50	A++	714	270	
		7	18			2060	5140			1900	7200	8640	580	2050	2690	2.7	8.9	12.3	3.51	A++	731	345	
		7	24			1690	5760			1900	7450	8640	580	2130	2730	2.7	9.3	12.5	3.50	A++	725	359	
		9	9			2600	2600			1750	5200	6240	420	1480	2000	1.9	6.5	9.2	3.51	A++	73	249	
		9	12			2540	3560			1820	6100	7320	440	1680	2260	2.0	7.4	10.3	3.63	A++	746	286	
		9	18			2400	4800			1900	7200	8640	580	2050	2690	2.7	8.9	12.3	3.51	A++	731	345	
		9	24			2030	5520			1900	7550	8760	580	2150	2760	2.7	9.4	12.6	3.51	A++	726	364	
		12	12			3500	3500			1900	7000	8000	580	2000	2620	2.7	8.7	12.0	3.50	A++	73	336	
		12	18			3030	4320			1900	7350	8820	580	2110	2750	2.7	9.2	12.6	3.48	A++	727	354	
		12	24			2620	5080			1900	7700	8930	580	2180	2780	2.7	9.5	12.7	3.53	A++	721	377	
		18	18			3830	3830			1900	7660	9180	580	2120	2860	2.7	9.2	13.1	3.61	A++	721	372	
		18	24			3310	4490			1900	7800	8970	580	2150	2820	2.7	9.4	12.9	3.63	A++	722	378	
		3 Unit	7	7	7		2000	2000	2000		1810	6000	7200	440	1620	2310	2.0	6.9	10.6	3.70	A++	762	276
			7	7	9		2030	2030	2540		1870	6600	7920	440	1810	2500	2.0	7.7	11.4	3.65	A++	758	305
			7	7	12		1920	1920	3360		1900	7200	9000	580	2020	2780	2.7	8.6	12.7	3.56	A++	745	338
			7	7	18		1680	1680	4190		1900	7550	9180	580	2130	2730	2.7	9.1	12.5	3.54	A++	775	341
	7		7	24		1480	1480	5040		1900	8000	9300	580	2090	2870	2.7	8.9	13.1	3.83	A++	775	361	
	7		9	9		2000	2500	2500		1900	7000	8640	580	1930	2680	2.7	8.2	12.3	3.63	A++	735	348	
	7		9	12		1830	2280	3200		1900	7310	9060	580	2030	2690	2.7	8.6	12.3	3.60	A++	775	330	
	7		9	18		1610	2010	4030		1900	7650	9250	580	2050	2730	2.7	8.7	12.5	3.73	A++	781	343	
	7		9	24		1420	1770	4810		1900	8000	9300	580	2030	2870	2.7	8.7	13.1	3.94	A++	777	360	
	7		12	12		1680	2930	2930		1900	7540	9160	580	2070	2730	2.7	8.8	12.5	3.64	A++	778	339	
	7		12	18		1500	2630	3750		1900	7880	9300	580	2050	2820	2.7	8.7	12.9	3.84	A++	774	356	
	7		18	18		1330	3330	3330		1900	8000	9300	580	2010	2910	2.7	8.6	13.3	3.98	A++	778	360	
	9		9	9		2400	2400	2400		1900	7200	9030	580	1950	2640	2.7	8.3	12.1	3.69	A++	777	324	
	9		9	12		2180	2180	3060		1900	7420	9130	580	2040	2690	2.7	8.7	12.3	3.64	A++	777	334	
	9		9	18		1940	1940	3890		1900	7770	9300	580	1950	2780	2.7	8.3	12.7	3.98	A++	777	350	
	9		9	24		1690	1690	4610		1900	8000	9300	580	2000	2910	2.7	8.5	13.3	4.00	A++	779	359	
	9		12	12		2010	2820	2820		1900	7650	9230	580	2080	2730	2.7	8.9	12.5	3.68	A++	779	344	
	9		12	18		1820	2550	3640		1900	8000	9300	580	2020	2870	2.7	8.6	13.1	3.96	A++	778	360	
	12	12	12		2630	2630	2630		1900	7890	9300	580	2120	2820	2.7	9.0	12.9	3.72	A++	771	358		
	12	12	18		2330	2330	3330		1900	8000	9300	580	2110	2910	2.7	9.0	13.3	3.79	A++	774	362		
	4 Unit	7	7	7	7	1830	1830	1830	1830	1900	7320	9050	580	1800	2690	2.7	8.2	12.3	4.06	A++	767	334	
		7	7	7	9	1750	1750	1750	2190	1900	7440	9120	580	1850	2690	2.7	8.4	12.3	4.02	A++	767	340	
		7	7	7	12	1610	1610	1610	2820	1900	7650	9220	580	1900	2730	2.7	8.6	12.5	4.03	A++	769	348	
		7	7	7	18	1450	1450	1450	3650	1900	8000	9300	580	2000	2870	2.7	9.0	13.1	4.00	A++	77	364	
		7	7	9	9	1680	1680	2090	2090	1900	7540	9180	580	1870	2730	2.7	8.5	12.5	4.03	A++	768	344	
		7	7	9	12	1550	1550	1940	2720	1900	7760	9280	580	1940	2780	2.7	8.8	12.7	4.00	A++	769	353	
		7	7	9	18	1390	1390	1740	3480	1900	8000	9300	580	1970	2870	2.7	8.9	13.1	4.06	A++	772	363	
		7	7	12	12	1450	1450	2550	2550	1900	8000	9300	580	1990	2870	2.7	9.0	13.1	4.02	A++	771	363	
		7	9	9	9	1610	2010	2010	2010	1900	7650	9250	580	1900	2730	2.7	8.6	12.5	4.03	A++	769	348	
		7	9	9	12	1500	1880	1880	2630	1900	7890	9300	580	1960	2820	2.7	8.9	12.9	4.03	A++	77	359	
		7	9	9	18	1330	1670	1670	3330	1900	8000	9300	580	1970	2910	2.7	8.9	13.3	4.06	A++	772	363	
		7	9	12	12	1400	1740	2430	2430	1900	8000	9300	580	1970	2870	2.7	8.9	13.1	4.06	A++	772	363	
		9	9	9	9	1940	1940	1940	1940	1900	7760	9300	580	1940	2780	2.7	8.8	12.7	4.00	A++	769	353	
		9	9	9	12	1820	1820	1820	2540	1900	8000	9300	580	1970	2870	2.7	8.9	13.1	4.06	A++	772	363	
9		9	12	12	1670	1670	2330	2330	1900	8000	9300	580	1970	2910	2.7	8.9	13.3	4.06	A++	772	363		

4. Combination Table

HEATING

Outdoor unit	A	B	C	D	Heating Capacity				Capacity			Power Consumption			Current			Effic. NOM. Heating. At 7°C/20°C	SEASONAL EFFICIENCY (ACCORDING EN14825)	SCOP	P design	Qhe		
					W				W			W			A									
					A	B	C	D	MIN	STD	MAX	MIN	STD	MAX	MIN	STD	MAX						MIN	STD
AJ080TXJ4KG	2 Unit	7	7			2200	2200			1980	4400	5060	600	1150	1530	2.7	4.9	7.0	3.83	A+	4.25	3.05	1006	
		7	9			2040	3060			2040	5100	5870	610	1290	1700	2.8	5.5	7.8	3.95	A+	4.20	4.21	1401	
		7	12			2130	3870			2110	6000	6900	610	1530	2110	2.8	6.5	9.7	3.92	A+	4.11	4.91	1669	
		7	18			2090	5710			2200	7800	9130	620	1920	2580	2.8	8.2	11.8	4.06	A+	4.18	5.09	1705	
		7	24			1790	6330			2200	8120	9300	620	2000	2600	2.8	8.5	11.9	4.06	A+	4.18	5.2	1742	
		9	9			2900	2900			2100	5800	6670	610	1470	1930	2.8	6.3	8.8	3.94	A+	4.11	4.91	1669	
		9	12			3030	3670			2170	6700	7710	610	1730	2330	2.8	7.4	10.7	3.87	A+	4.11	4.91	1669	
		9	18			2770	5030			2200	7800	9360	620	1920	2600	2.8	8.2	11.9	4.06	A+	4.18	5.09	1705	
		9	24			2480	5870			2200	8350	9600	620	2220	2700	2.8	9.5	12.4	3.94	A+	4.18	5.2	1742	
		12	12			3800	3800			2200	7600	8740	620	1890	2510	2.8	8.1	11.5	4.02	A+	4.18	5.09	1705	
		12	18			3250	4870			2200	8120	9500	620	2000	2650	2.8	8.5	12.1	4.06	A+	4.18	5.09	1705	
		12	24			2860	5590			2200	8450	9700	620	2100	2700	2.8	8.9	12.4	4.02	A+	4.18	5.09	1705	
		18	18			4250	4250			2200	8500	9950	620	2080	2750	2.8	8.9	12.6	4.09	A+	4.10	5.88	2010	
		18	24			3760	4890			2200	8650	9900	620	2110	2800	2.8	9.0	12.8	4.10	A+	4.10	5.88	2010	
		3 Unit	7	7	7		2200	2200	2200		2170	6600	7590	610	1540	2220	2.8	6.6	10.2	4.28	A+	4.14	5.65	1912
			7	7	9		2090	2090	3120		2200	7300	8400	620	1670	2340	2.8	7.1	10.7	4.37	A+	4.10	5.88	2010
	7		7	12		2150	2150	3900		2200	8200	9590	620	1950	2570	2.8	8.3	11.8	4.21	A+	4.10	5.88	2010	
	7		7	18		1820	1820	4980		2200	8620	10090	620	2040	2610	2.8	8.7	11.9	4.23	A+	4.10	5.88	2009	
	7		7	24		1580	1580	5590		2200	8750	10500	620	2080	2750	2.8	8.9	12.6	4.21	A+	4.11	5.88	2003	
	7		9	9		2000	3000	3000		2200	8000	9360	620	1930	2500	2.8	8.2	11.4	4.14	A+	4.10	5.88	2010	
	7		9	12		1980	2960	3590		2200	8530	9980	620	2000	2690	2.8	8.5	12.3	4.27	A+	4.10	5.88	2009	
	7		9	18		1660	2490	4530		2200	8680	10150	620	2030	2740	2.8	8.6	12.5	4.28	A+	4.10	5.88	2009	
	7		9	24		1540	2310	5450		2200	9300	10900	620	2150	2820	2.8	9.2	12.9	4.33	A+	4.11	5.88	2003	
	7		12	12		1860	3370	3370		2200	8600	10070	620	2030	2740	2.8	8.6	12.5	4.24	A+	4.10	5.88	2009	
	7		12	18		1580	2870	4300		2200	8750	10500	620	2080	2750	2.8	8.9	12.6	4.21	A+	4.11	5.88	2003	
	7		18	18		1440	3930	3930		2200	9300	10900	620	2150	2820	2.8	9.2	12.9	4.33	A+	4.11	5.88	2003	
	9		9	9		2840	2840	2840		2200	8520	9960	620	1990	2680	2.8	8.5	12.3	4.28	A+	4.10	5.88	2009	
	9		9	12		2670	2670	3250		2200	8590	10050	620	2030	2690	2.8	8.6	12.3	4.23	A+	4.10	5.88	2009	
	9		9	18		2290	2290	4170		2200	8750	10500	620	2080	2740	2.8	8.9	12.5	4.21	A+	4.11	5.88	2003	
	9		9	24		2130	2130	5040		2200	9300	10900	620	2170	2820	2.8	9.2	12.9	4.29	A+	4.11	5.88	2003	
	9		12	12		2520	3070	3070		2200	8660	10130	620	2040	2740	2.8	8.7	12.5	4.24	A+	4.10	5.88	2009	
	9		12	18		2310	2800	4190		2200	9300	10500	620	2130	2750	2.8	9.1	12.6	4.37	A+	4.11	5.88	2003	
	12		12	12		2910	2910	2910		2200	8730	10220	620	2070	2750	2.8	8.8	12.6	4.22	A+	4.11	5.88	2003	
	12		12	18		2660	2660	3980		2200	9300	10900	620	2160	2790	2.8	9.2	12.8	4.31	A+	4.11	5.88	2003	
	4 Unit		7	7	7	7	2130	2130	2130	2130	2200	8520	9970	620	1990	2690	2.8	8.9	12.3	4.28	A+	4.11	5.88	2003
			7	7	7	9	1910	1910	1910	2850	2200	8580	10040	620	2030	2690	2.8	9.0	12.3	4.23	A+	4.11	5.88	2003
			7	7	7	12	1800	1800	1800	3250	2200	8650	10120	620	2020	2740	2.8	9.0	12.5	4.28	A+	4.11	5.88	2003
			7	7	7	18	1620	1620	1620	4440	2200	9300	10900	620	2130	2820	2.8	9.5	12.9	4.37	A+	4.11	5.88	2003
		7	7	9	9	1730	1730	2590	2590	2200	8640	10100	620	2020	2740	2.8	9.0	12.5	4.28	A+	4.11	5.88	2003	
		7	7	9	12	1640	1640	2460	2970	2200	8710	10190	620	2040	2740	2.8	9.1	12.5	4.27	A+	4.11	5.88	2003	
7		7	9	18	1490	1490	2240	4080	2200	9300	10900	620	2130	2820	2.8	9.5	12.9	4.37	A+	4.11	5.88	2003		
7		7	12	12	1560	1560	2830	2830	2200	8780	10270	620	2070	2790	2.8	9.2	12.8	4.24	A+	4.11	5.88	2003		
7		9	9	9	1580	2370	2370	2370	2200	8690	10170	620	2030	2740	2.8	9.0	12.5	4.28	A+	4.11	5.88	2003		
7		9	9	12	1510	2260	2260	2730	2200	8760	10250	620	2060	2790	2.8	9.2	12.8	4.25	A+	4.11	5.88	2003		
7		9	9	18	1390	2070	2070	3770	2200	9300	10900	620	2130	2820	2.8	9.5	12.9	4.37	A+	4.11	5.88	2003		
7		9	12	12	1520	2260	2760	2760	2200	9300	10900	620	2130	2820	2.8	9.5	12.9	4.37	A+	4.11	5.88	2003		
7		9	9	9	2190	2190	2190	2190	2200	8760	10240	620	2060	2740	2.8	9.2	12.5	4.25	A+	4.11	5.88	2003		
9		9	9	12	2210	2210	2210	2670	2200	9300	10900	620	2130	2790	2.8	9.5	12.8	4.37	A+	4.11	5.88	2003		
9		9	12	12	2100	2100	2550	2550	2200	9300	10900	620	2130	2820	2.8	9.5	12.9	4.37	A+	4.11	5.88	2003		

NOTE

- EER and COP declared only for the purpose of tax deductions in force at the time of the creation of this catalog.
- The above is the value for connecting with the following indoor units.
 - Wind Free(PRM) : AR07TXCAAWK, AR09TXCAAWK, AR12TXCAAWK
- You can not connect a single unit.
- Power consumption include indoor unit power.

4. Combination Table

4-5 AJ100TXJ5KG/EU

COOLING

Outdoor unit	A	B	C	D	E	Cooling Capacity					Capacity			Power Consumption			Current			Effic. NOM. Cooling. At 35°C/27°C EER	SEASONAL EFFICIENCY (ACCORDING EN14825) Class	SEER	Qce	
						W					W			W			A							
						A	B	C	D	E	MIN	STD	MAX	MIN	NOM	MAX	MIN	STD	MAX				MIN	STD
AJ100TXJ5KG	2 Unit	7	7				2000	2000				1680	4000	4900	610	1110	1650	2.8	4.7	7.6	3.60	A++	728	192
		7	9				2000	2500				1680	4500	5530	610	1270	1860	2.8	5.4	8.5	3.55	A++	739	213
		7	12				2000	3500				1710	5500	6950	620	1570	2330	2.8	6.7	10.7	3.50	A++	740	260
		7	18				2000	5000				2210	7000	8690	630	1970	2910	2.9	8.4	13.3	3.55	A++	737	332
		7	24				1830	6240				2280	8070	10110	650	2290	3390	3.0	9.8	15.5	3.52	A++	730	387
		9	9				2500	2500				1680	5000	6320	610	1400	2120	2.8	6.0	9.7	3.58	A++	749	234
		9	12				2500	3500				1710	6000	7270	620	1690	2430	2.8	7.2	11.1	3.55	A++	746	282
		9	18				2500	5000				2210	7500	9320	630	2140	3120	2.9	9.1	14.3	3.51	A++	733	358
		9	24				2190	5960				2280	8150	10110	650	2340	3390	3.0	10.0	15.5	3.48	A++	730	391
		12	12				3500	3500				2170	7000	8530	620	1960	2850	2.8	8.4	13.0	3.58	A++	738	332
		12	18				3300	4720				2240	8020	9950	640	2260	3330	2.9	9.6	15.2	3.55	A++	731	386
		12	24				2920	5670				2480	8590	10740	660	2480	3600	3.0	10.6	16.5	3.47	A++	715	420
	18	18				4280	4280				2440	8560	10430	650	2460	3500	3.0	10.5	16.0	3.48	A++	715	419	
	18	24				3740	5080				2510	8820	10900	670	2470	3670	3.1	10.5	16.8	3.57	A++	729	423	
	24	24				4550	4550				3110	9100	11000	690	2560	3740	3.2	10.9	17.1	3.55	A++	730	436	
	3 Unit	7	7	7			2000	2000	2000			1760	6000	7270	640	1660	2460	2.9	7.1	11.3	3.62	A++	748	281
		7	7	9			2000	2000	2500			1760	6500	7900	640	1780	2660	2.9	7.6	12.2	3.65	A++	748	281
		7	7	12			2000	2000	3500			2280	7500	8850	650	2080	2980	3.0	8.9	13.6	3.61	A++	752	349
		7	7	18			1930	1930	4830			2310	8690	10270	660	2500	3450	3.0	10.7	15.8	3.48	A++	791	391
		7	7	24			1660	1660	5650			2550	8970	10430	680	2560	3530	3.1	10.9	16.2	3.51	A++	765	411
		7	9	9			2000	2500	2500			2240	7000	8370	640	1920	2820	2.9	8.2	12.9	3.64	A++	750	326
		7	9	12			2000	2500	3500			2280	8000	9320	650	2230	3130	3.0	9.5	14.3	3.58	A++	777	361
		7	9	18			1850	2310	4620			2310	8780	10270	660	2480	3450	3.0	10.6	15.8	3.54	A++	792	388
		7	9	24			1550	1940	5270			2550	8760	10430	680	2470	3530	3.1	10.5	16.2	3.54	A++	792	387
7		12	12			1930	3380	3380			2280	8690	10270	650	2500	3440	3.0	10.7	15.7	3.48	A++	791	391	
7		12	18			1700	2980	4250			2510	8930	10430	670	2590	3510	3.1	11.0	16.1	3.45	A++	790	396	
7		12	24			1460	2550	4950			2760	8960	10740	690	2550	3630	3.2	10.9	16.6	3.51	A++	765	410	
7		18	18			1480	3710	3710			2720	8900	10740	680	2540	3630	3.1	10.8	16.6	3.50	A++	792	394	
7		18	24			1340	3360	4560			3150	9260	11000	700	2570	3750	3.2	11.0	17.2	3.61	A++	775	418	
7		24	24			1260	4270	4270			3240	9800	11000	720	2720	3770	3.3	11.6	17.3	3.60	A++	777	442	
9		9	9			2500	2500	2500			2240	7500	8850	640	2080	2970	2.9	8.9	13.6	3.61	A++	752	349	
9		9	12			2500	2500	3500			2280	8500	9950	650	2390	3340	3.0	10.2	15.3	3.55	A++	791	376	
9		9	18			2210	2210	4430			2480	8850	10270	660	2520	3450	3.0	10.7	15.8	3.51	A++	792	391	
9		9	24			1880	1880	5110			2550	8870	10740	680	2530	3630	3.1	10.8	16.6	3.51	A++	792	392	
9		12	12			2310	3230	3230			2280	8770	10270	650	2440	3440	3.0	10.4	15.7	3.59	A++	793	387	
9	12	18			1980	2770	3950			2510	8700	10430	670	2420	3510	3.1	10.3	16.1	3.59	A++	793	384		
9	12	24			1770	2480	4810			2760	9060	10900	690	2570	3690	3.2	11.0	16.9	3.52	A++	766	414		
9	18	18			1800	3600	3600			2720	9000	10900	680	2560	3680	3.1	10.9	16.8	3.52	A++	765	412		
9	18	24			1640	3270	4450			3150	9360	11000	700	2590	3750	3.2	11.0	17.2	3.61	A++	775	423		
9	24	24			1520	4140	4140			3240	9800	11000	720	2660	3770	3.3	11.3	17.3	3.68	A++	779	440		
12	12	12			2980	2980	2980			2480	8940	10430	660	2410	3500	3.0	10.3	16.0	3.71	A++	798	392		
12	12	18			2600	2600	3710			2680	8910	10740	670	2410	3620	3.1	10.3	16.6	3.69	A++	797	391		
12	12	24			2350	2350	4560			3110	9260	11000	690	2540	3740	3.2	10.8	17.1	3.64	A++	775	418		
12	18	18			2390	3410	3410			3110	9210	11000	690	2530	3740	3.2	10.8	17.1	3.64	A++	775	416		
12	18	24			2240	3200	4360			3200	9800	11000	710	2750	3760	3.2	11.7	17.2	3.57	A++	775	442		
12	24	24			2000	3900	3900			3290	9800	11000	730	2750	3780	3.3	11.7	17.3	3.57	A++	775	442		
18	18	18			3260	3270	3270			3150	9800	11000	700	2750	3750	3.2	11.7	17.2	3.57	A++	775	442		
18	18	24			2920	2920	3960			3240	9800	11000	720	2750	3770	3.3	11.7	17.3	3.57	A++	775	442		

4. Combination Table

Outdoor unit	A	B	C	D	E	Cooling Capacity					Capacity			Power Consumption			Current			Effic. NOM. Cooling. At 35°C/27°C	SEASONAL EFFICIENCY (ACCORDING EN14825)	SEER	Qce
						W					W			W			A						
						A	B	C	D	E	MIN	STD	MAX	MIN	NOM	MAX	MIN	STD	MAX	MIN	STD	MAX	EER
AJ100TXJ5KG	4 Unit	7	7	7	7	2000	2000	2000	2000		2350	8000	9320	670	2170	3160	3.1	9.2	14.5	3.68	A++	7.79	359
		7	7	7	9	2000	2000	2000	2500		2350	8500	9950	670	2290	3360	3.1	9.8	15.4	3.71	A++	7.95	374
		7	7	7	12	1850	1850	1850	3250		2380	8780	10270	680	2390	3470	3.1	10.2	15.9	3.68	A++	7.96	386
		7	7	7	18	1580	1580	1580	3950		2590	8690	10430	690	2330	3540	3.2	9.9	16.2	3.73	A++	7.97	382
		7	7	7	24	1420	1420	1420	4820		2840	9080	10900	710	2460	3710	3.2	10.5	17.0	3.69	A++	7.71	412
		7	7	9	9	1930	1930	2420	2420		2350	8700	10270	670	2330	3460	3.1	9.9	15.8	3.73	A++	7.97	382
		7	7	9	12	1770	1770	2210	3100		2550	8850	10270	680	2420	3470	3.1	10.3	15.9	3.66	A++	7.96	389
		7	7	9	18	1530	1530	1910	3830		2590	8800	10740	690	2380	3640	3.2	10.1	16.7	3.70	A++	7.97	387
		7	7	9	24	1380	1380	1720	4680		3200	9160	10900	710	2490	3710	3.2	10.6	17.0	3.68	A++	7.76	413
		7	7	12	12	1580	1580	1580	2770		2550	8700	10430	680	2280	3530	3.1	9.7	16.2	3.82	A++	8.00	381
		7	7	12	18	1440	1440	2520	3600		2800	9000	10900	700	2420	3700	3.2	10.3	16.9	3.72	A++	7.71	409
		7	7	12	24	1310	1310	2290	4450		3240	9360	11000	720	2530	3770	3.3	10.8	17.3	3.70	A++	7.78	421
		7	7	18	18	1330	1330	3320	3320		3200	9300	11000	710	2510	3760	3.2	10.7	17.2	3.71	A++	7.78	419
		7	7	18	24	1240	1240	3100	4220		3290	9800	11000	730	2620	3780	3.3	11.2	17.3	3.74	A++	7.81	439
		7	9	9	9	1850	2310	2310	2310		2350	8780	10270	670	2290	3460	3.1	9.8	15.8	3.84	A++	8.01	384
		7	9	9	12	1700	2130	2130	2980		2550	8940	10430	680	2370	3520	3.1	10.1	16.1	3.78	A++	8.00	391
		7	9	9	18	1480	1850	1850	3700		2760	8880	10740	690	2340	3640	3.2	10.0	16.7	3.79	A++	8.00	389
		7	9	9	24	1340	1680	1680	4560		3200	9260	11000	710	2420	3760	3.2	10.3	17.2	3.82	A++	7.80	415
		7	9	12	12	1530	1910	2680	2680		2550	8800	10740	680	2290	3630	3.1	9.8	16.6	3.84	A++	8.01	385
		7	9	12	18	1400	1750	2450	3500		3150	9100	10900	700	2410	3700	3.2	10.3	16.9	3.78	A++	7.78	409
		7	9	12	24	1280	1600	2240	4350		3240	9470	11000	720	2530	3770	3.3	10.8	17.3	3.75	A++	7.79	425
		7	9	18	18	1300	1620	3240	3240		3200	9400	11000	710	2510	3760	3.2	10.7	17.2	3.75	A++	7.79	422
		7	9	18	24	1200	1500	3010	4090		3290	9800	11000	730	2630	3780	3.3	11.2	17.3	3.73	A++	7.80	440
		7	12	12	12	1440	2520	2520	2520		2760	9000	10900	690	2340	3690	3.2	10.0	16.9	3.84	A++	8.02	393
		7	12	12	18	1330	2330	2330	3330		3150	9320	11000	700	2470	3750	3.2	10.5	17.2	3.78	A++	7.79	418
		7	12	12	24	1240	2170	2170	4220		3240	9800	11000	720	2630	3770	3.3	11.2	17.3	3.73	A++	7.80	440
		7	12	18	18	1270	2210	3160	3160		3240	9800	11000	720	2630	3770	3.3	11.2	17.3	3.73	A++	7.80	440
		7	12	18	24	1140	1980	2830	3850		3330	9800	11000	740	2630	3790	3.4	11.2	17.3	3.73	A++	7.80	440
		7	18	18	18	1160	2880	2880	2880		3290	9800	11000	730	2630	3780	3.3	11.2	17.3	3.73	A++	7.80	440
		9	9	9	9	2210	2210	2210	2210		2510	8840	10270	670	2330	3460	3.1	9.9	15.8	3.80	A++	8.00	387
		9	9	9	12	1980	1980	1980	2770		2550	8710	10430	680	2290	3520	3.1	9.8	16.1	3.80	A++	7.99	381
		9	9	9	18	1800	1800	1800	3600		2760	9000	10900	690	2390	3690	3.2	10.2	16.9	3.76	A++	7.72	408
		9	9	9	24	1640	1640	1640	4460		3200	9380	11000	710	2520	3760	3.2	10.7	17.2	3.72	A++	7.78	422
		9	9	12	12	1850	1850	2600	2600		2720	8900	10740	680	2350	3630	3.1	10.0	16.6	3.78	A++	8.00	390
		9	9	12	18	1700	1700	2390	3410		3150	9200	11000	700	2430	3750	3.2	10.4	17.2	3.78	A++	7.79	413
		9	9	12	24	1600	1600	2240	4360		3240	9800	11000	720	2630	3770	3.3	11.2	17.3	3.73	A++	7.80	440
		9	9	18	18	1630	1630	3270	3270		3200	9800	11000	710	2630	3760	3.2	11.2	17.2	3.73	A++	7.80	440
		9	9	18	24	1460	1460	2920	3960		3290	9800	11000	730	2630	3780	3.3	11.2	17.3	3.73	A++	7.80	440
		9	12	12	12	1750	2450	2450	2450		3110	9100	10900	690	2430	3690	3.2	10.4	16.9	3.74	A++	8.00	398
		9	12	12	18	1620	2270	2270	3240		3150	9400	11000	700	2520	3750	3.2	10.7	17.2	3.73	A++	7.79	423
9	12	12	24	1510	2100	2100	4090		3240	9800	11000	720	2630	3770	3.3	11.2	17.3	3.73	A++	7.80	440		
9	12	18	18	1540	2140	3060	3060		3240	9800	11000	720	2630	3770	3.3	11.2	17.3	3.73	A++	7.80	440		
12	12	12	12	2330	2330	2330	2330		3110	9320	11000	690	2830	3740	3.2	12.1	17.1	3.29	A++	7.79	419		
12	12	12	18	2210	2210	2210	3170		3200	9800	11000	710	2630	3760	3.2	11.2	17.2	3.73	A++	7.80	440		
12	12	12	24	1980	1980	1980	3860		3290	9800	11000	730	2630	3780	3.3	11.2	17.3	3.73	A++	7.80	440		
12	12	18	18	2020	2020	2880	2880		3240	9800	11000	720	2630	3770	3.3	11.2	17.3	3.73	A++	7.80	440		

4. Combination Table

Outdoor unit	A	B	C	D	E	Cooling Capacity					Capacity			Power Consumption			Current			Effic. NOM. Cooling. At 35°C/27°C	SEASONAL EFFICIENCY (ACCORDING EN14825)	SEER	Qce	
						W					W			W			A							
						A	B	C	D	E	MIN	STD	MAX	MIN	NOM	MAX	MIN	STD	MAX	MIN	STD	MAX	EER	Class
AJ100TXJ5KG	5 Unit	7	7	7	7	7	1900	1900	1900	1900	1900	2630	9500	10270	700	2570	3490	3.2	11.5	16.0	3.69	A++	778	427
		7	7	7	7	9	1820	1820	1820	1820	2270	2630	9550	10430	700	2600	3550	3.2	11.6	16.2	3.68	A++	778	430
		7	7	7	7	12	1680	1680	1680	1680	2940	2660	9660	10740	710	2630	3650	3.2	11.7	16.7	3.68	A++	778	434
		7	7	7	7	18	1540	1540	1540	1540	3840	3240	10000	10900	720	2750	3720	3.3	12.2	17.0	3.64	A++	779	449
		7	7	7	7	24	1350	1350	1350	1350	4600	3330	10000	11000	740	2750	3790	3.4	12.2	17.3	3.64	A++	779	449
		7	7	7	9	9	1750	1750	1750	2180	2180	2630	9610	10430	700	2610	3550	3.2	11.6	16.2	3.68	A++	778	432
		7	7	7	9	12	1620	1620	1620	2020	2830	2840	9710	10740	710	2670	3650	3.2	11.9	16.7	3.64	A++	777	437
		7	7	7	9	18	1480	1480	1480	1860	3700	3240	10000	11000	720	2730	3770	3.3	12.1	17.3	3.66	A++	779	449
		7	7	7	9	24	1310	1310	1310	1630	4440	3330	10000	11000	740	2730	3790	3.4	12.1	17.3	3.66	A++	779	449
		7	7	7	12	12	1540	1540	1540	2690	2690	3200	10000	10900	710	2750	3710	3.2	12.2	17.0	3.64	A++	779	449
		7	7	7	12	18	1380	1380	1380	2410	3450	3290	10000	11000	730	2760	3780	3.3	12.3	17.3	3.62	A++	778	450
		7	7	7	12	24	1230	1230	1230	2150	4160	3380	10000	11000	750	2760	3800	3.4	12.3	17.4	3.62	A++	778	450
		7	7	7	18	18	1240	1240	1240	3140	3140	3330	10000	11000	740	2760	3790	3.4	12.3	17.3	3.62	A++	778	450
		7	7	9	9	9	1680	1680	2100	2100	2100	2630	9660	10740	700	2630	3650	3.2	11.7	16.7	3.68	A++	778	434
		7	7	9	9	12	1600	1600	2000	2000	2800	2840	10000	10900	710	2750	3710	3.2	12.2	17.0	3.64	A++	779	449
		7	7	9	9	18	1430	1430	1790	1790	3560	3240	10000	11000	720	2760	3770	3.3	12.3	17.3	3.62	A++	778	450
		7	7	9	9	24	1270	1270	1580	1580	4300	3330	10000	11000	740	2760	3790	3.4	12.3	17.3	3.62	A++	778	450
		7	7	9	12	12	1480	1480	1860	2590	2590	3200	10000	11000	710	2750	3760	3.2	12.2	17.2	3.64	A++	779	449
		7	7	9	12	18	1330	1330	1680	2330	3330	3290	10000	11000	730	2780	3780	3.3	12.3	17.3	3.60	A++	778	450
		7	7	9	12	24	1190	1190	1490	2080	4050	3380	10000	11000	750	2780	3800	3.4	12.3	17.4	3.60	A++	778	450
		7	7	9	18	18	1210	1210	1520	3030	3030	3330	10000	11000	740	2780	3790	3.4	12.3	17.3	3.60	A++	778	450
		7	7	12	12	12	1370	1370	2420	2420	2420	3240	10000	11000	720	2750	3770	3.3	12.2	17.3	3.64	A++	779	449
		7	7	12	12	18	1250	1250	2190	2190	3120	3290	10000	11000	730	2760	3780	3.3	12.3	17.3	3.62	A++	778	450
		7	9	9	9	9	1620	2020	2020	2020	2020	2800	9700	10740	700	2610	3650	3.2	11.6	16.7	3.71	A++	779	436
		7	9	9	9	12	1550	1920	1920	1920	2690	3200	10000	10900	710	2750	3710	3.2	12.2	17.0	3.64	A++	779	449
		7	9	9	9	18	1390	1720	1720	1720	3450	3240	10000	11000	720	2760	3770	3.3	12.3	17.3	3.62	A++	778	450
		7	9	9	9	24	1240	1530	1530	1530	4170	3330	10000	11000	740	2760	3790	3.4	12.3	17.3	3.62	A++	778	450
		7	9	9	12	12	1440	1790	1790	2490	2490	3200	10000	11000	710	2720	3760	3.2	12.1	17.2	3.68	A++	778	434
		7	9	9	12	18	1290	1610	1610	2260	3230	3290	10000	11000	730	2760	3780	3.3	12.3	17.3	3.62	A++	778	450
		7	9	9	12	24	1160	1450	1450	2020	3920	3380	10000	11000	750	2760	3800	3.4	12.3	17.4	3.62	A++	778	450
		7	9	9	18	18	1180	1470	1470	2940	2940	3330	10000	11000	740	2780	3790	3.4	12.3	17.3	3.60	A++	778	450
		7	9	12	12	12	1340	1670	2330	2330	2330	3240	10000	11000	720	2750	3770	3.3	12.2	17.3	3.64	A++	779	449
7	9	12	12	18	1210	1520	2120	2120	3030	3290	10000	11000	730	2750	3780	3.3	12.2	17.3	3.64	A++	779	449		
7	12	12	12	12	1240	2190	2190	2190	2190	3240	10000	11000	720	2750	3770	3.3	12.2	17.3	3.64	A++	779	449		
9	9	9	9	9	2000	2000	2000	2000	2000	3000	10000	11000	700	2750	3700	3.2	12.2	16.9	3.64	A++	779	449		
9	9	9	9	12	1850	1850	1850	1850	2600	3200	10000	11000	710	2750	3760	3.2	12.2	17.2	3.64	A++	779	449		
9	9	9	9	18	1670	1670	1670	1670	3320	3240	10000	11000	720	2760	3770	3.3	12.3	17.3	3.62	A++	778	450		
9	9	9	9	24	1490	1490	1490	1490	4040	3330	10000	11000	740	2760	3790	3.4	12.3	17.3	3.62	A++	778	450		
9	9	9	12	12	1720	1720	1720	2420	2420	3200	10000	11000	710	2750	3760	3.2	12.2	17.2	3.64	A++	779	449		
9	9	9	12	18	1560	1560	1560	2190	3130	3290	10000	11000	730	2760	3780	3.3	12.3	17.3	3.62	A++	778	450		
9	9	12	12	12	1610	1610	2260	2260	2260	3240	10000	11000	720	2750	3770	3.3	12.2	17.3	3.64	A++	779	449		
9	9	12	12	18	1470	1470	2060	2060	2940	3290	10000	11000	730	2760	3780	3.3	12.3	17.3	3.62	A++	778	450		
9	12	12	12	12	1520	2120	2120	2120	2120	3240	10000	11000	720	2750	3770	3.3	12.2	17.3	3.64	A++	779	449		

4. Combination Table

HEATING

Outdoor unit	A	B	C	D	E	Heating Capacity					Capacity			Power Consumption			Current			Effic. NOM. Heating. At 7°C/20°C	SEASONAL EFFICIENCY (ACCORDING EN14825)	SCOP	P design	Qhe		
						W					W			W			A									
						A	B	C	D	E	MIN	STD	MAX	MIN	STD	MAX	MIN	STD	MAX						MIN	STD
AJ100TXJ5KG	2 Unit	7	7				2200	2200				1240	4400	5530	460	1070	1520	2.1	4.6	7.0	4.10	A+	4.16	3.05	1028	
		7	9				2200	3300				1240	5500	6790	460	1360	1850	2.1	5.8	8.5	4.05	A+	4.15	4.21	1418	
		7	12				2200	4000				1270	6200	7580	470	1490	2060	2.2	6.3	9.4	4.15	A+	4.19	4.91	1638	
		7	18				2200	6000				1300	8200	10110	480	2010	2750	2.2	8.6	12.6	4.08	A+	4.09	5.88	2010	
		7	24				2200	7800				1500	10000	12480	500	2490	3390	2.3	10.6	15.5	4.01	A+	4.03	7.70	2671	
		9	9				3300	3300				1240	6600	8220	460	1630	2230	2.1	6.9	10.2	4.06	A+	4.19	4.91	1638	
		9	12				3300	4000				1270	7300	9010	470	1810	2440	2.2	7.7	11.2	4.04	A+	4.19	4.91	1638	
		9	18				3300	6000				1300	9300	11690	480	2320	3160	2.2	9.9	14.5	4.01	A+	4.03	7.70	2671	
		9	24				3150	7450				1500	10600	13110	500	2640	3560	2.3	11.2	16.3	4.02	A+	4.03	7.70	2671	
		12	12				4000	4000				1270	8000	9800	470	1940	2650	2.2	8.3	12.1	4.13	A+	4.19	4.91	1638	
		12	18				4000	6000				1470	10000	12320	490	2490	3330	2.2	10.6	15.2	4.01	A+	4.03	7.70	2671	
		12	24				3590	7010				1530	10600	13110	510	2670	3560	2.3	11.4	16.3	3.97	A+	4.03	7.70	2671	
		18	18				5300	5300				1650	10600	13110	500	2660	3560	2.3	11.3	16.3	3.99	A+	4.03	7.70	2671	
		18	24				4610	5990				1820	10600	13110	520	2640	3580	2.4	11.2	16.4	4.02	A+	4.03	7.70	2671	
		24	24				5300	5300				2160	10600	12960	540	2640	3560	2.5	11.2	16.3	4.02	A+	4.03	7.70	2671	
		3 Unit	7	7	7			2200	2200	2200			1320	6600	7580	490	1590	2090	2.2	6.8	9.6	4.14	A+	4.18	5.65	1893
			7	7	9			2200	2200	3300			1320	7700	9010	490	1850	2460	2.2	7.9	11.3	4.17	A+	4.18	5.65	1893
			7	7	12			2200	2200	4000			1350	8400	9800	500	2030	2680	2.3	8.6	12.3	4.14	A+	4.23	5.88	1939
			7	7	18			2050	2050	5590			1530	9690	12170	510	2380	3320	2.3	10.1	15.2	4.08	A+	4.25	7.91	2607
			7	7	24			1780	1780	6300			1750	9860	12170	530	2420	3340	2.4	10.3	15.3	4.08	A+	4.25	7.91	2607
	7		9	9			2200	3300	3300			1320	8800	10740	490	2110	2920	2.2	9.0	13.4	4.18	A+	4.23	5.88	1939	
	7		9	12			2200	3300	4000			1350	9500	11380	500	2350	3090	2.3	10.0	14.1	4.05	A+	4.25	7.91	2607	
	7		9	18			1870	2810	5110			1530	9790	11850	510	2400	3230	2.3	10.2	14.8	4.08	A+	4.25	7.91	2607	
	7		9	24			1650	2470	5850			1860	9970	12170	530	2440	3340	2.4	10.4	15.3	4.08	A+	4.25	7.91	2607	
	7		12	12			2090	3790	3790			1500	9670	12170	500	2370	3310	2.3	10.1	15.1	4.08	A+	4.25	7.91	2607	
	7		12	18			1780	3230	4850			1720	9860	12170	520	2420	3320	2.4	10.3	15.2	4.07	A+	4.25	7.91	2607	
	7		12	24			1580	2870	5590			1890	10040	12320	540	2440	3380	2.5	10.4	15.5	4.11	A+	4.25	7.91	2607	
	7		18	18			1560	4250	4250			1860	10060	12320	530	2450	3380	2.4	10.4	15.5	4.10	A+	4.25	7.91	2607	
	7		18	24			1490	4050	5270			2200	10810	12800	550	2610	3520	2.5	11.1	16.1	4.14	A+	4.25	7.91	2607	
	7		24	24			1360	4820	4820			2280	11000	12960	570	2640	3590	2.6	11.2	16.4	4.16	A+	4.25	7.91	2607	
	9		9	9			3210	3210	3210			1470	9630	11850	490	2360	3210	2.2	10.1	14.7	4.08	A+	4.23	5.88	1939	
	9		9	12			3020	3020	3660			1500	9700	11530	500	2340	3140	2.3	10.0	14.4	4.15	A+	4.25	7.91	2607	
	9		9	18			2590	2590	4710			1680	9890	12320	510	2410	3360	2.3	10.3	15.4	4.11	A+	4.25	7.91	2607	
	9		9	24			2440	2440	5770			1860	10650	12480	530	2620	3420	2.4	11.2	15.7	4.07	A+	4.25	7.91	2607	
	9		12	12			2850	3460	3460			1500	9770	11850	500	2340	3220	2.3	10.0	14.7	4.17	A+	4.25	7.91	2607	
	9	12	18			2470	3000	4500			1820	9970	12170	520	2410	3320	2.4	10.3	15.2	4.14	A+	4.25	7.91	2607		
	9	12	24			2340	2840	5540			1890	10720	12480	540	2650	3430	2.5	11.3	15.7	4.05	A+	4.25	7.91	2607		
	9	18	18			2320	4210	4210			1860	10740	12480	530	2650	3420	2.4	11.3	15.7	4.05	A+	4.25	7.91	2607		
	9	18	24			2120	3860	5020			2200	11000	12960	550	2700	3570	2.5	11.5	16.3	4.08	A+	4.25	7.91	2607		
	9	24	24			1920	4540	4540			2280	11000	13110	570	2290	3630	2.6	9.8	16.6	4.80	A+	4.25	7.91	2607		
12	12	12			3280	3280	3280			1680	9840	12170	510	2350	3310	2.3	10.0	15.1	4.18	A+	4.25	7.91	2607			
12	12	18			2870	2870	4300			1820	10040	12320	520	2440	3370	2.4	10.4	15.4	4.11	A+	4.25	7.91	2607			
12	12	24			2730	2730	5330			2160	10790	12800	540	2610	3510	2.5	11.1	16.1	4.13	A+	4.25	7.91	2607			
12	18	18			2700	4050	4050			2160	10800	12800	540	2610	3510	2.5	11.1	16.1	4.14	A+	4.25	7.91	2607			
12	18	24			2470	3710	4820			2240	11000	12960	560	2660	3570	2.6	11.3	16.3	4.13	A+	4.25	7.91	2607			
12	24	24			2240	4380	4380			2320	11000	13430	580	2660	3720	2.7	11.3	17.0	4.13	A+	4.25	7.91	2607			
18	18	18			3660	3670	3670			2200	11000	12960	550	2660	3570	2.5	11.3	16.3	4.13	A+	4.25	7.91	2607			
18	18	24			3330	3330	4340			2280	11000	13430	570	2660	3710	2.6	11.3	17.0	4.13	A+	4.25	7.91	2607			

4. Combination Table

Outdoor unit	A	B	C	D	E	Heating Capacity					Capacity			Power Consumption			Current			Effic. NOM. Heating. At 7°C/20°C	SEASONAL EFFICIENCY (ACCORDING EN14825)	SCOP	P design	Qhe
						W					W			W			A							
						A	B	C	D	E	MIN	STD	MAX	MIN	STD	MAX	MIN	STD	MAX				MIN	STD
AJ100TXJ5KG	4 Unit	7	7	7	7	2200	2200	2200	2200		1400	8800	9800	520	2110	2700	2.4	9.0	12.4	4.18	A+	4.25	791	2607
		7	7	7	9	2140	2140	2140	3210		1560	9630	11380	520	2320	3120	2.4	9.9	14.3	4.15	A+	4.25	791	2607
		7	7	7	12	2010	2010	2010	3660		1590	9690	12170	530	2330	3330	2.4	9.9	15.2	4.15	A+	4.25	791	2607
		7	7	7	18	1730	1730	1730	4710		1780	9900	12170	540	2410	3350	2.5	10.3	15.3	4.11	A+	4.25	791	2607
		7	7	7	24	1630	1630	1630	5770		1960	10660	12320	560	2620	3410	2.6	11.2	15.6	4.07	A+	4.25	791	2607
		7	7	9	9	1950	1950	2920	2920		1560	9740	11530	520	2350	3160	2.4	10.0	14.5	4.15	A+	4.25	791	2607
		7	7	9	12	1840	1840	2760	3350		1590	9790	11850	530	2390	3250	2.4	10.2	14.9	4.09	A+	4.25	791	2607
		7	7	9	18	1610	1610	2410	4380		1890	10010	12170	540	2440	3350	2.5	10.4	15.3	4.11	A+	4.25	791	2607
		7	7	9	24	1530	1530	2290	5410		1960	10760	12480	560	2620	3450	2.6	11.2	15.8	4.10	A+	4.25	791	2607
		7	7	12	12	1750	1750	3190	3190		1750	9880	12170	530	2360	3340	2.4	10.1	15.3	4.19	A+	4.25	791	2607
		7	7	12	18	1630	1630	2960	4440		1930	10660	12320	550	2610	3390	2.5	11.1	15.5	4.09	A+	4.25	791	2607
		7	7	12	24	1470	1470	2670	5210		2280	10820	12800	570	2630	3540	2.6	11.2	16.2	4.11	A+	4.25	791	2607
		7	7	18	18	1460	1460	3970	3970		2240	10860	12800	560	2640	3530	2.6	11.2	16.2	4.11	A+	4.25	791	2607
		7	7	18	24	1330	1330	3630	4710		2320	11000	12960	580	2680	3600	2.7	11.4	16.5	4.10	A+	4.25	791	2607
		7	9	9	9	1790	2690	2690	2690		1720	9860	12170	520	2390	3330	2.4	10.2	15.2	4.13	A+	4.25	791	2607
		7	9	9	12	1710	2560	2560	3100		1750	9930	12320	530	2410	3370	2.4	10.3	15.4	4.12	A+	4.25	791	2607
		7	9	9	18	1590	2380	2380	4330		1890	10680	12480	540	2620	3430	2.5	11.2	15.7	4.08	A+	4.25	791	2607
		7	9	9	24	1440	2160	2160	5100		2240	10860	12960	560	2670	3580	2.6	11.4	16.4	4.07	A+	4.25	791	2607
		7	9	12	12	1630	2440	2960	2960		1860	9990	12170	530	2440	3340	2.4	10.4	15.3	4.10	A+	4.25	791	2607
		7	9	12	18	1530	2290	2780	4170		1930	10770	12480	550	2640	3440	2.5	11.2	15.7	4.08	A+	4.25	791	2607
		7	9	12	24	1400	2100	2540	4960		2280	11000	12960	570	2680	3580	2.6	11.4	16.4	4.11	A+	4.25	791	2607
		7	9	18	18	1390	2070	3770	3770		2240	11000	12960	560	2680	3580	2.6	11.4	16.4	4.11	A+	4.25	791	2607
		7	9	18	24	1250	1880	3420	4450		2320	11000	13110	580	2680	3640	2.7	11.4	16.7	4.11	A+	4.25	791	2607
		7	12	12	12	1560	2830	2830	2830		1890	10050	12320	540	2420	3380	2.5	10.3	15.5	4.15	A+	4.25	791	2607
		7	12	12	18	1470	2670	2670	4010		2200	10820	12800	550	2650	3520	2.5	11.3	16.1	4.08	A+	4.25	791	2607
		7	12	12	24	1350	2440	2440	4770		2280	11000	12960	570	2680	3590	2.6	11.4	16.4	4.11	A+	4.25	791	2607
		7	12	18	18	1330	2410	3630	3630		2280	11000	12960	570	2680	3580	2.6	11.4	16.4	4.11	A+	4.25	791	2607
		7	12	18	24	1210	2200	3300	4290		2360	11000	13430	590	2680	3730	2.7	11.4	17.1	4.11	A+	4.25	791	2607
		7	18	18	18	1190	3270	3270	3270		2320	11000	13430	580	2680	3720	2.7	11.4	17.0	4.11	A+	4.25	791	2607
		9	9	9	9	2490	2490	2490	2490		1820	9960	12480	520	2310	3410	2.4	9.8	15.6	4.32	A+	4.32	791	2564
		9	9	9	12	2380	2380	2380	2880		1860	10020	12320	530	2340	3370	2.4	10.0	15.4	4.28	A+	4.25	791	2607
		9	9	9	18	2240	2240	2240	4080		2160	10800	12800	540	2610	3510	2.5	11.1	16.1	4.14	A+	4.25	791	2607
		9	9	9	24	2050	2050	2050	4850		2240	11000	12960	560	2680	3580	2.6	11.4	16.4	4.11	A+	4.25	791	2607
		9	9	12	12	2410	2410	2920	2920		1860	10660	12480	530	2510	3420	2.4	10.7	15.7	4.24	A+	4.25	791	2607
		9	9	12	18	2160	2160	2620	3930		2200	10870	12960	550	2630	3560	2.5	11.2	16.3	4.13	A+	4.25	791	2607
		9	9	12	24	1970	1970	2400	4660		2280	11000	13110	570	2680	3620	2.6	11.4	16.6	4.11	A+	4.25	791	2607
		9	9	18	18	1950	1950	3550	3550		2240	11000	13110	560	2680	3620	2.6	11.4	16.6	4.11	A+	4.25	791	2607
		9	9	18	24	1780	1780	3240	4200		2320	11000	13590	580	2680	3760	2.7	11.4	17.2	4.11	A+	4.25	791	2607
		9	12	12	12	2320	2810	2810	2810		1890	10750	12480	540	2600	3430	2.5	11.1	15.7	4.13	A+	4.25	791	2607
		9	12	12	18	2100	2540	2540	3820		2200	11000	12960	550	2680	3570	2.5	11.4	16.3	4.11	A+	4.25	791	2607
9	12	12	24	1910	2300	2300	4490		2280	11000	13110	570	2680	3630	2.6	11.4	16.6	4.11	A+	4.25	791	2607		
9	12	18	18	1880	2280	3420	3420		2280	11000	13110	570	2680	3620	2.6	11.4	16.6	4.11	A+	4.25	791	2607		
12	12	12	12	2700	2700	2700	2700		2160	10800	12800	540	2610	3510	2.5	11.1	16.1	4.14	A+	4.25	791	2607		
12	12	12	18	2440	2440	2440	3680		2240	11000	12960	560	2680	3570	2.6	11.4	16.3	4.11	A+	4.25	791	2607		
12	12	12	24	2220	2220	2220	4340		2320	11000	13430	580	2680	3720	2.7	11.4	17.0	4.11	A+	4.25	791	2607		
12	12	18	18	2200	2200	3300	3300		2280	11000	13430	570	2680	3710	2.6	11.4	17.0	4.11	A+	4.25	791	2607		

4. Combination Table

Outdoorunit	A	B	C	D	E	Heating Capacity					Capacity			Power Consumption			Current			Effic. NOM. Heating. At 7°C/20°C	SEASONAL EFFICIENCY (ACCORDING EN14825)	SCOP	P design		Qhe	
						W					W			W			A						Class	kW		kWh
						A	B	C	D	E	MIN	STD	MAX	MIN	STD	MAX	MIN	STD	MAX							
AJ100TXJ5KG	5	Unit	7	7	7	7	7	2200	2200	2200	2200	1650	11000	13110	550	2560	3610	2.5	11.7	16.5	4.30	A+	4.25	791	2607	
			7	7	7	7	9	2080	2080	2080	2080	3120	1820	11440	12960	550	2670	3570	2.5	12.2	16.3	4.28	A+	4.25	791	2607
			7	7	7	7	12	1990	1990	1990	1990	3620	1850	11580	13110	560	2720	3610	2.6	12.4	16.5	4.26	A+	4.25	791	2607
			7	7	7	7	18	1710	1710	1710	1710	4660	2000	11500	13430	570	2700	3710	2.6	12.3	17.0	4.26	A+	4.25	791	2607
			7	7	7	7	24	1580	1580	1580	1580	5610	2360	11930	13750	590	2810	3810	2.7	12.8	17.4	4.24	A+	4.25	791	2607
			7	7	7	9	9	1950	1950	1950	2930	2930	1930	11710	13430	550	2750	3690	2.5	12.5	16.9	4.26	A+	4.25	791	2607
			7	7	7	9	12	1880	1880	1880	2820	3420	1960	11880	13110	560	2800	3610	2.6	12.7	16.5	4.24	A+	4.25	791	2607
			7	7	7	9	18	1630	1630	1630	2440	4450	2280	11780	13590	570	2790	3750	2.6	12.7	17.2	4.22	A+	4.25	791	2607
			7	7	7	9	24	1490	1490	1490	2240	5290	2360	12000	13900	590	2820	3860	2.7	12.8	17.7	4.26	A+	4.25	791	2607
			7	7	7	12	12	1730	1730	1730	3140	3140	1960	11470	13430	560	2680	3700	2.6	12.2	16.9	4.28	A+	4.25	791	2607
			7	7	7	12	18	1580	1580	1580	2880	4320	2320	11940	13750	580	2830	3800	2.7	12.9	17.4	4.22	A+	4.25	791	2607
			7	7	7	12	24	1430	1430	1430	2620	5090	2400	12000	14000	600	2830	3940	2.7	12.9	18.0	4.24	A+	4.25	791	2607
			7	7	7	18	18	1420	1420	1420	3870	3870	2360	12000	14000	590	2830	3940	2.7	12.9	18.0	4.24	A+	4.25	791	2607
			7	7	9	9	9	1840	1840	2760	2760	2760	1930	11960	13430	550	2810	3690	2.5	12.8	16.9	4.26	A+	4.25	791	2607
			7	7	9	9	12	1690	1690	2540	2540	3080	1960	11540	13590	560	2700	3740	2.6	12.3	17.1	4.28	A+	4.25	791	2607
			7	7	9	9	18	1550	1550	2330	2330	4240	2280	12000	13900	570	2820	3840	2.6	12.8	17.6	4.26	A+	4.25	791	2607
			7	7	9	9	24	1400	1400	2110	2110	4980	2360	12000	14000	590	2820	3940	2.7	12.8	18.0	4.26	A+	4.25	791	2607
			7	7	9	12	12	1640	1640	2470	2990	2990	2240	11730	13590	560	2750	3740	2.6	12.5	17.1	4.26	A+	4.25	791	2607
			7	7	9	12	18	1490	1490	2240	2710	4070	2320	12000	13900	580	2840	3840	2.7	12.9	17.6	4.22	A+	4.25	791	2607
			7	7	9	12	24	1350	1350	2040	2460	4800	2400	12000	14000	600	2840	3940	2.7	12.9	18.0	4.22	A+	4.25	791	2607
			7	7	9	18	18	1340	1340	2020	3650	3650	2360	12000	14000	590	2840	3940	2.7	12.9	18.0	4.22	A+	4.25	791	2607
			7	7	12	12	12	1600	1600	2900	2900	2900	2280	11900	13750	570	2780	3790	2.6	12.6	17.3	4.28	A+	4.25	791	2607
			7	7	12	12	18	1430	1430	2610	2610	3920	2320	12000	14000	580	2840	3930	2.7	12.9	18.0	4.22	A+	4.25	791	2607
			7	9	9	9	9	1670	2500	2500	2500	2500	1930	11670	13590	550	2720	3730	2.5	12.4	17.1	4.29	A+	4.25	791	2607
			7	9	9	9	12	1620	2420	2420	2420	2940	2240	11820	13750	560	2760	3780	2.6	12.6	17.3	4.28	A+	4.25	791	2607
			7	9	9	9	18	1460	2190	2190	2190	3970	2280	12000	14000	570	2830	3920	2.6	12.9	17.9	4.24	A+	4.25	791	2607
			7	9	9	9	24	1330	1990	1990	1990	4700	2360	12000	14000	590	2830	3940	2.7	12.9	18.0	4.24	A+	4.25	791	2607
			7	9	9	12	12	1570	2350	2360	2860	2860	2240	12000	13900	560	2820	3830	2.6	12.8	17.5	4.26	A+	4.25	791	2607
			7	9	9	12	18	1400	2110	2110	2550	3830	2320	12000	14000	580	2870	3920	2.7	13.0	17.9	4.18	A+	4.25	791	2607
			7	9	9	12	24	1290	1920	1920	2330	4540	2400	12000	14000	600	2870	3940	2.7	13.0	18.0	4.18	A+	4.25	791	2607
			7	9	9	18	18	1280	1900	1900	3460	3460	2360	12000	14000	590	2860	3940	2.7	13.0	18.0	4.20	A+	4.25	791	2607
			7	9	12	12	12	1520	2260	2740	2740	2740	2280	12000	13900	570	2850	3830	2.6	12.9	17.5	4.21	A+	4.25	791	2607
			7	9	12	12	18	1360	2030	2460	2460	3690	2320	12000	14000	580	2850	3930	2.7	12.9	18.0	4.21	A+	4.25	791	2607
			7	12	12	12	12	1440	2640	2640	2640	2640	2280	12000	14000	570	2830	3920	2.6	12.9	17.9	4.24	A+	4.25	791	2607
			9	9	9	9	9	2400	2400	2400	2400	3400	3400	12000	14000	550	2820	3900	2.5	12.8	17.8	4.26	A+	4.25	791	2607
			9	9	9	9	12	2300	2300	2300	2300	2800	2240	12000	13900	560	2820	3820	2.6	12.8	17.5	4.25	A+	4.25	791	2607
			9	9	9	9	18	2060	2060	2060	2060	3760	2280	12000	14000	570	2840	3920	2.6	12.9	17.9	4.23	A+	4.25	791	2607
			9	9	9	9	24	1890	1890	1890	1890	4440	2360	12000	14000	590	2840	3940	2.7	12.9	18.0	4.23	A+	4.25	791	2607
			9	9	9	12	12	2210	2210	2210	2680	2690	2240	12000	14000	560	2840	3910	2.6	12.9	17.9	4.23	A+	4.25	791	2607
			9	9	9	12	18	1990	1990	1990	2410	3620	2320	12000	14000	580	2830	3920	2.7	12.9	17.9	4.24	A+	4.25	791	2607
9	9	12	12	12	2130	2130	2580	2580	2280	2280	12000	14000	570	2840	3910	2.6	12.9	17.9	4.23	A+	4.25	791	2607			
9	9	12	12	18	1920	1920	2330	2330	3500	3400	12000	14000	580	2850	3930	2.7	12.9	18.0	4.21	A+	4.25	791	2607			
9	12	12	12	12	2040	2490	2490	2490	2280	2280	12000	14000	570	2850	3920	2.6	12.9	17.9	4.21	A+	4.25	791	2607			

NOTE

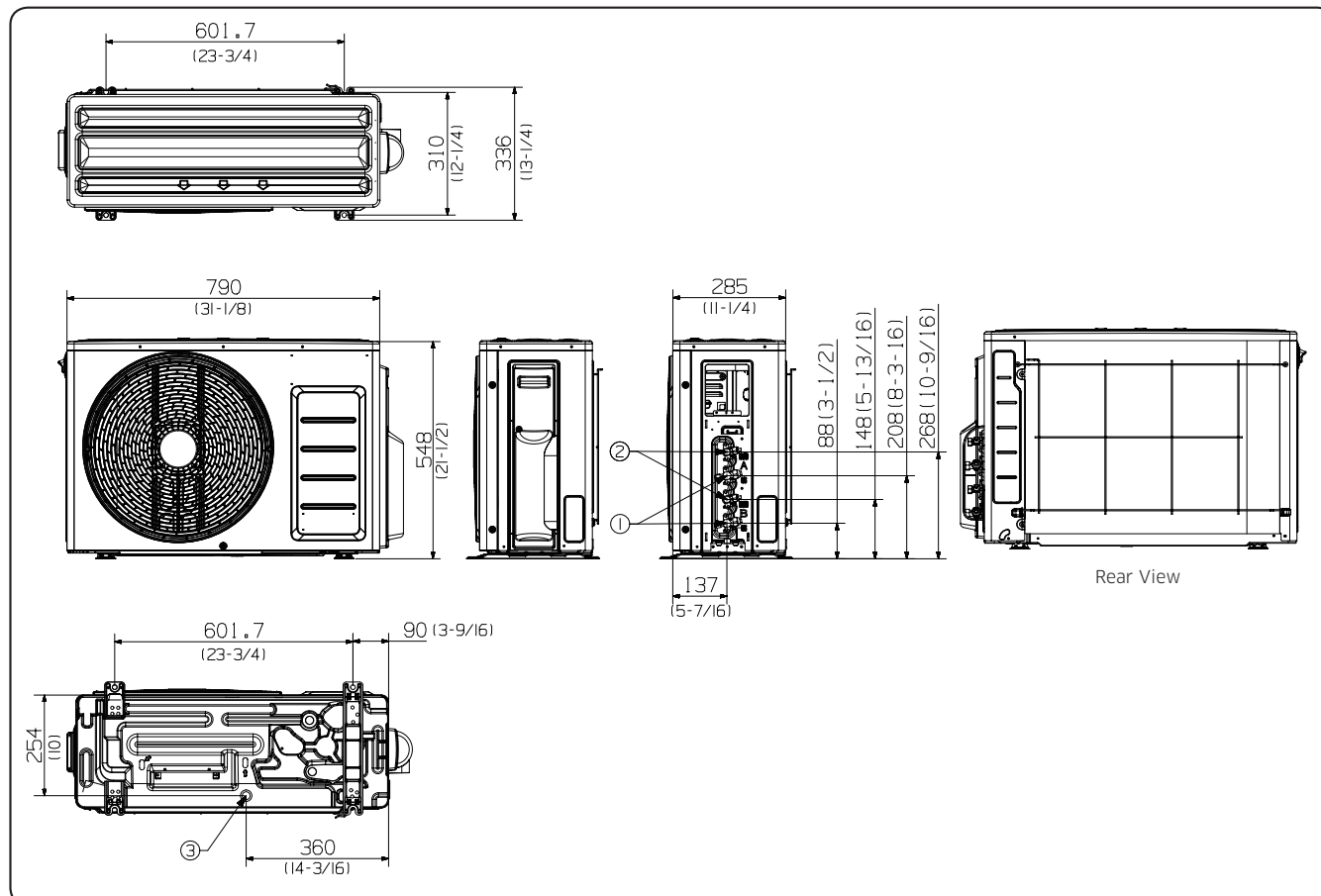
- EER and COP declared only for the purpose of tax deductions in force at the time of the creation of this catalog.
- The above is the value for connecting with the following indoor units.
 - Wind Free(PRM) : AR07TXCAAWK, AR09TXCAAWK, AR12TXCAAWK
- You can not connect a single unit.
- Power consumption include indoor unit power.

5. Dimensional Drawing

5-1. Outdoor units

- AJ040TXJ2KG/EU, AJ050TXJ2KG/EU

Unit : mm [inches]



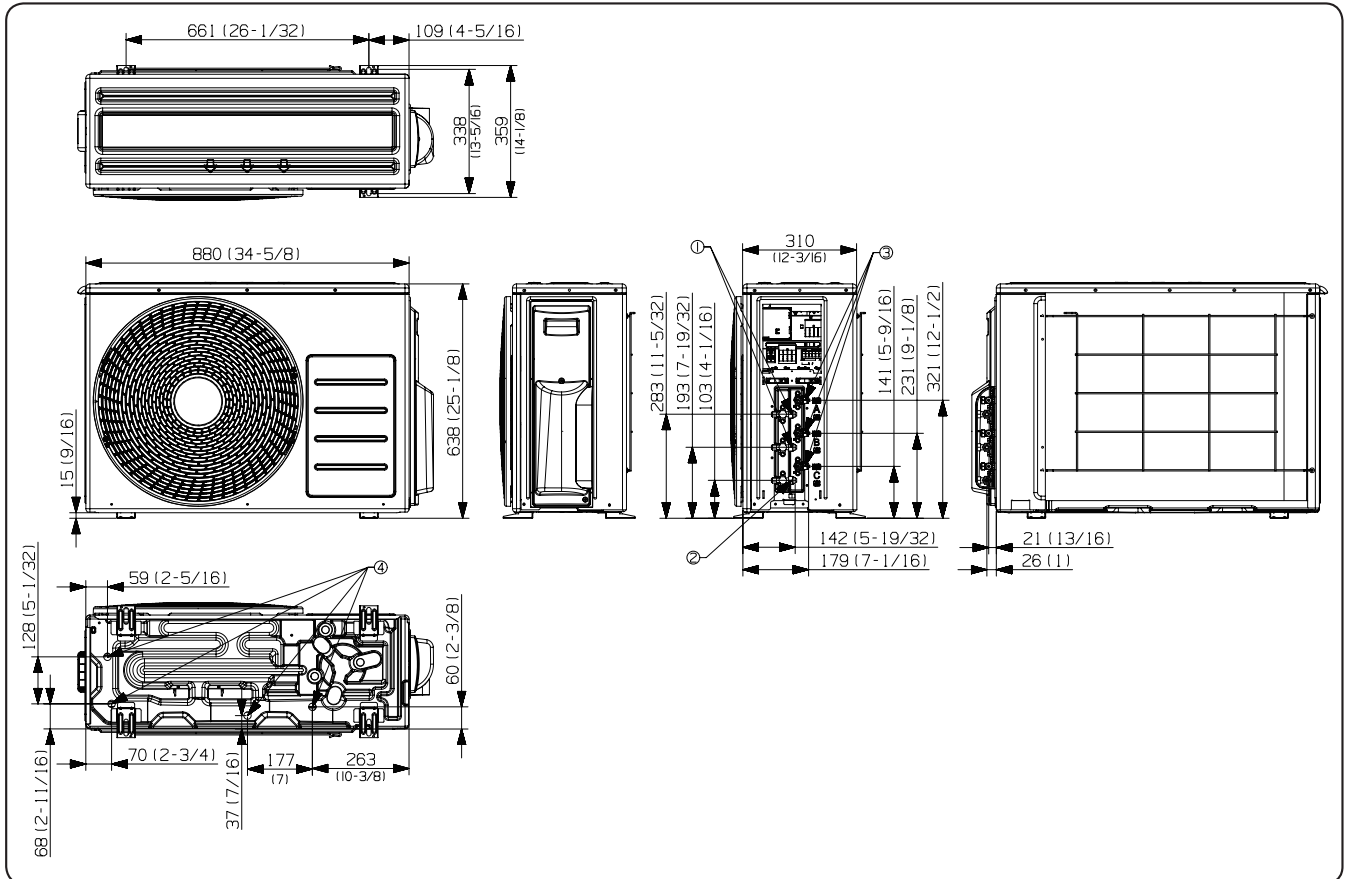
NO	Name	Description
1	Refrigerant gas pipe	Φ9.52 (Φ3/8) X 2EA
2	Refrigerant liquid pipe	Φ6.35 (Φ1/4) X 2EA
3	Drain hole	Connection with the provided drain plug.

5. Dimensional Drawing

5-1. Outdoor units

- AJ052TXJ3KG/EU

Unit : mm [inches]



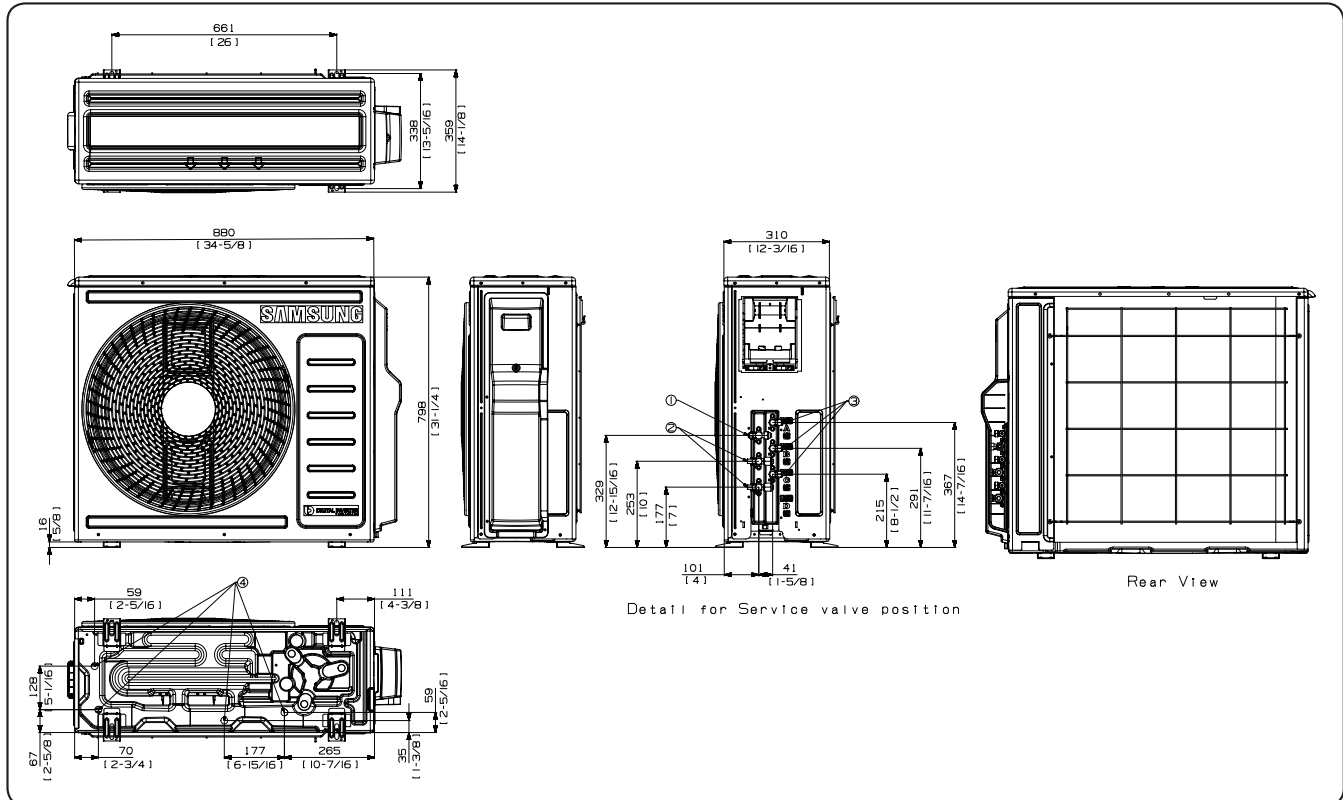
NO	Name	Description
1	Refrigerant gas pipe	Φ9.52 (Φ3/8) x 2 EA
2		Φ12.7 (Φ1/2) x 1 EA
3	Refrigerant liquid pipe	Φ6.35 (Φ1/4) X 3EA
4	Drain hole	Connection with the provided drain plug.

5. Dimensional Drawing

5-1. Outdoor units

- AJ068TXJ3KG/EU

Unit : mm [inches]



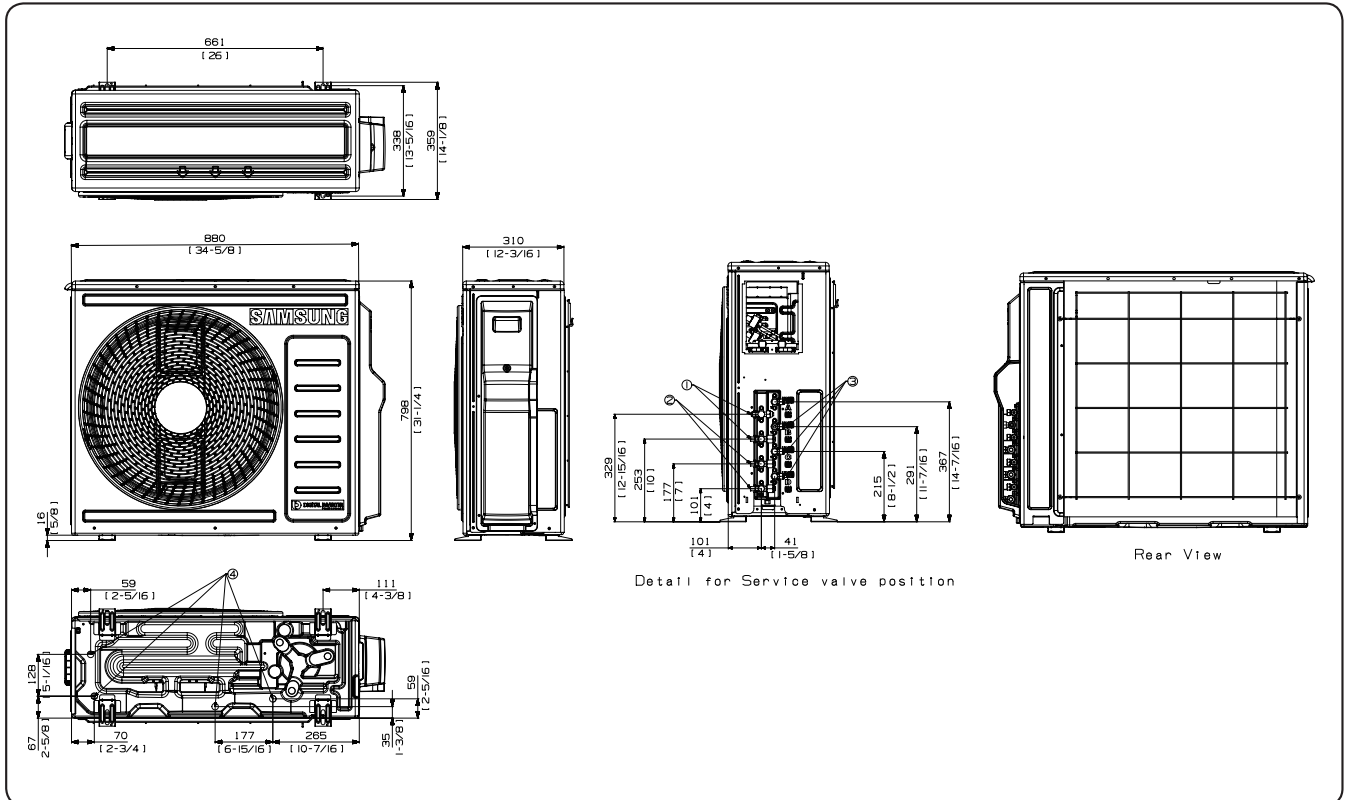
NO	Name	Description
1	Refrigerant gas pipe	Φ9.52 (Φ3/8) x1 EA
2		Φ12.7 (Φ1/2) x 2 EA
3	Refrigerant liquid pipe	Φ6.35 (Φ1/4) X 3 EA
4	Drain hole	Connection with the provided drain plug.

5. Dimensional Drawing

5-1. Outdoor units

- AJ080TXJ4KG/EU

Unit : mm [inches]



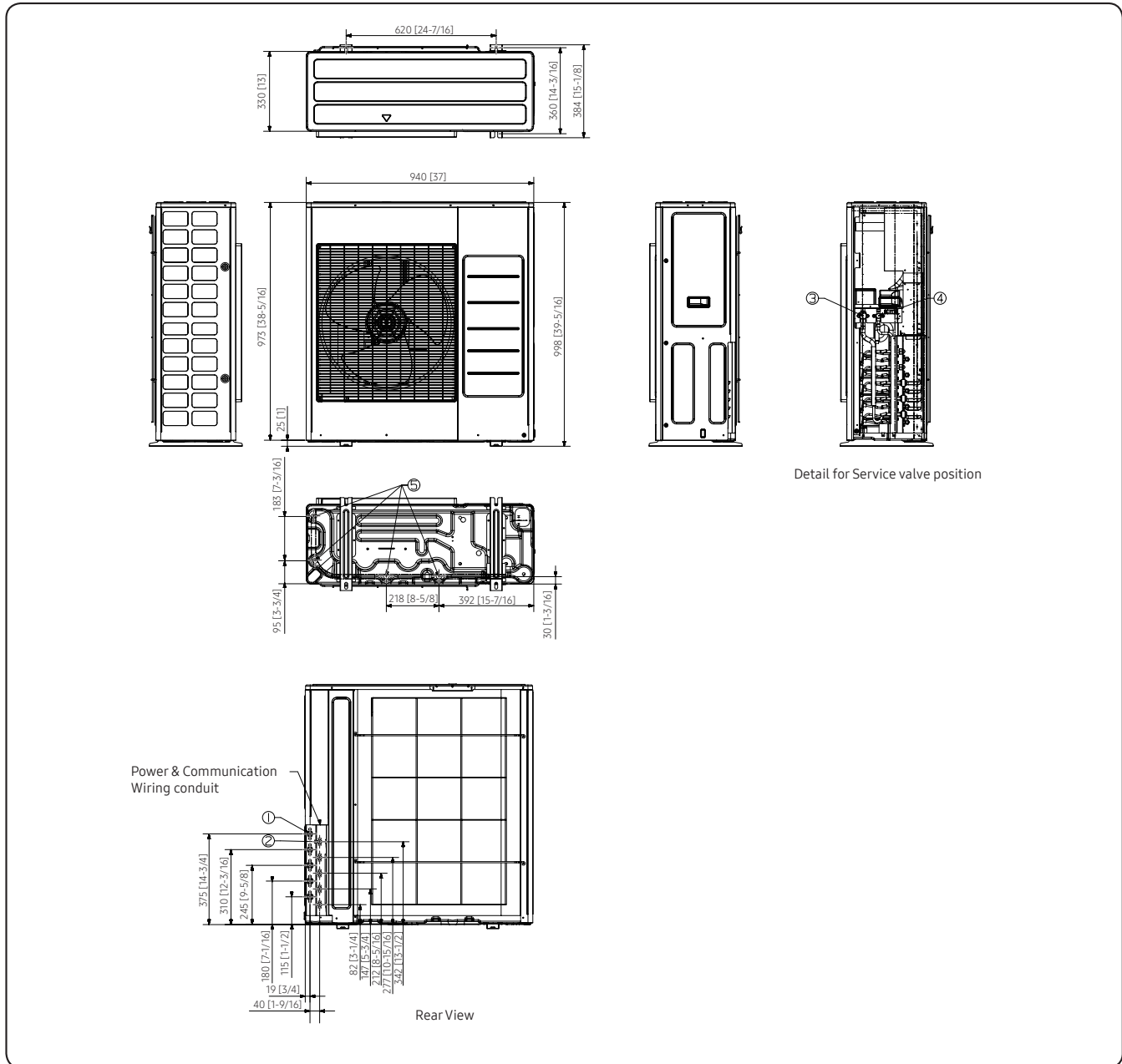
NO	Name	Description
1	Refrigerant gas pipe	Φ9.52 (Φ3/8) x 2 EA
2		Φ12.7 (Φ1/2) x 2 EA
3	Refrigerant liquid pipe	Φ6.35 (Φ1/4) X 4 EA
4	Drain hole	Connection with the provided drain plug.

5. Dimensional Drawing

5-1. Outdoor units

- AJ100TXJ5KG/EU

Unit : mm [inches]



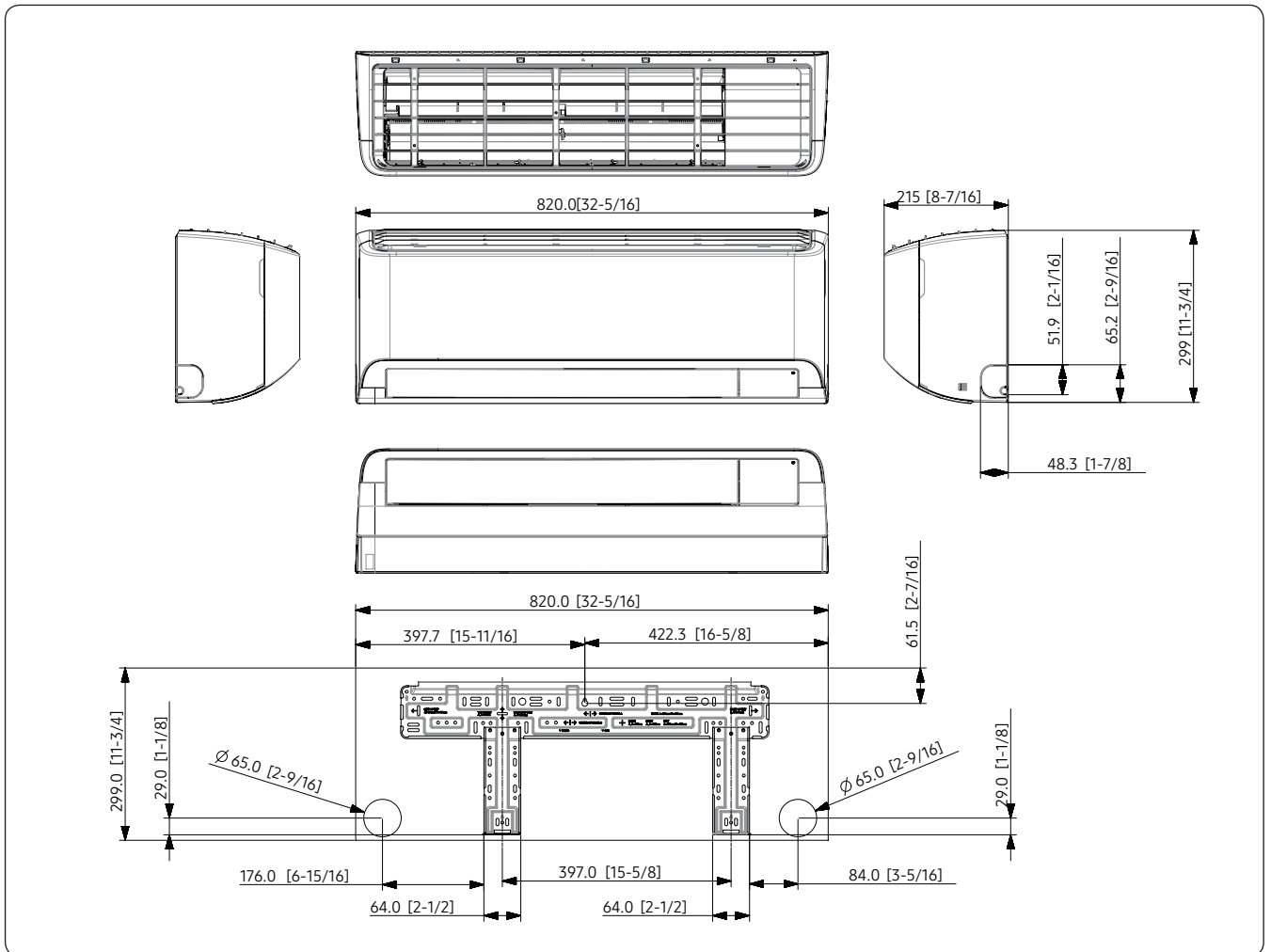
NO	Name	Description
1	Refrigerant gas pipe	Φ9.52 (Φ3/8) x 2EA, Φ12.7 (Φ1/2) x 3EA
2	Refrigerant liquid pipe	Φ6.35 (Φ1/4) x 5EA
3	Service vlave (gas)	5/8
4	Service vlave (liquid)	3/8
5	Drain hole	Connection with the provided drain plug.

5. Dimensional Drawing

5-2. Indoor unit

- 1 AR4500 : AR07TXHZAWKNEU, AR09TXHZAWKNEU, AR12TXHZAWKNEU
 AR5500 : AR07TXFYAWKNEU, AR09TXFYAWKNEU, AR12TXFYAWKNEU
 AR9500 : AR07TXFCAWKNEU, AR09TXFCAWKNEU, AR12TXFCAWKNEU

Unit : mm [inches]

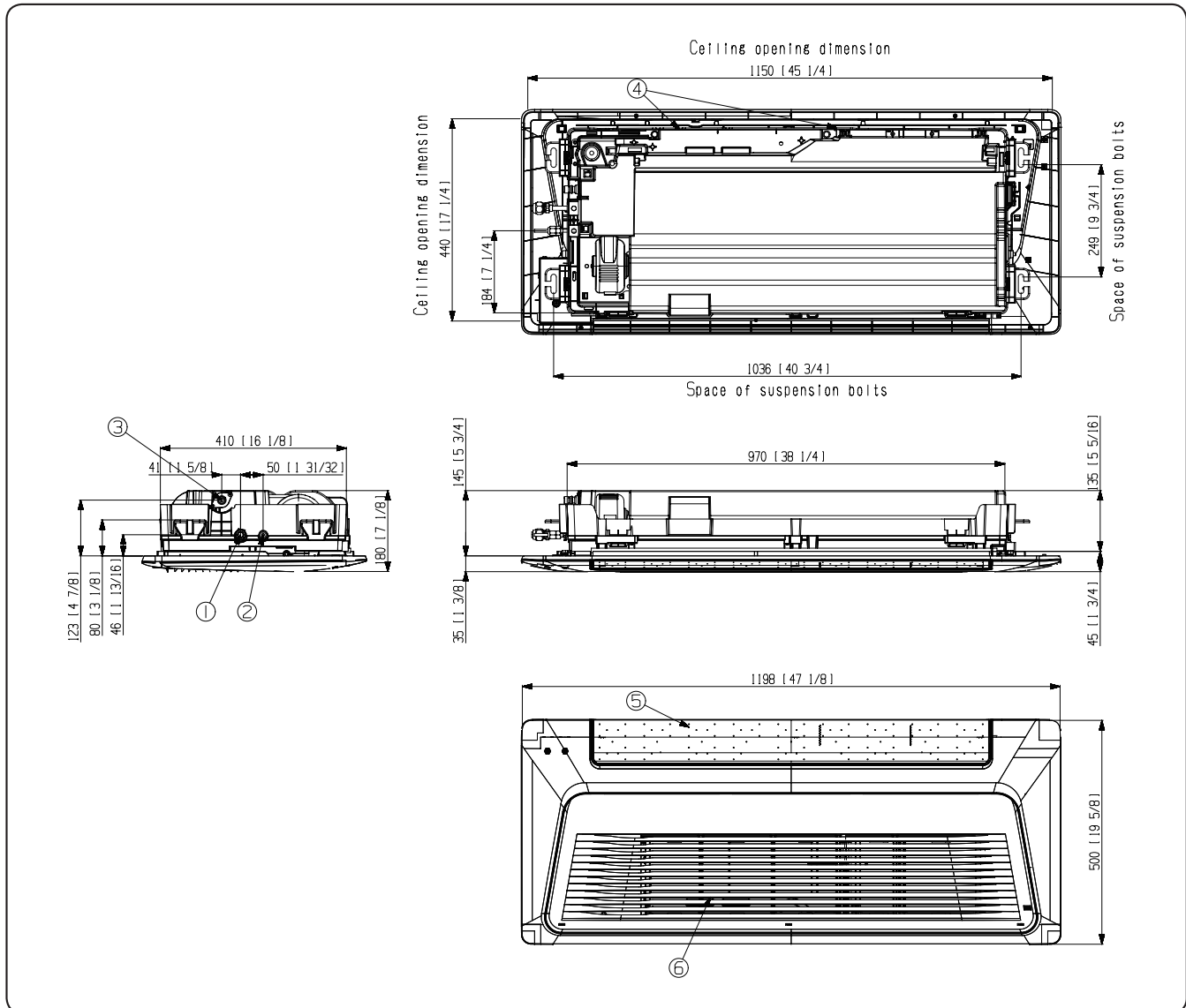


5. Dimensional Drawing

5-2. Indoor unit

4 Wind-Free 1Way Cassette : AJ026TN1DKG/EU, AJ035TN1DKG/EU

Units : mm [inches]



No	Name	Description	No	Name	Description
1	Gas pipe connection	Φ9.52 (3/8)	5	Air outlet louver	-
2	Liquid pipe connection	Ø6.35 (1/4)	6	Air inlet grille	-
3	Drain hose connection	VP20 (OD26, ID20)			
4	Power supply/Communication wiring conduit	-			

NOTE

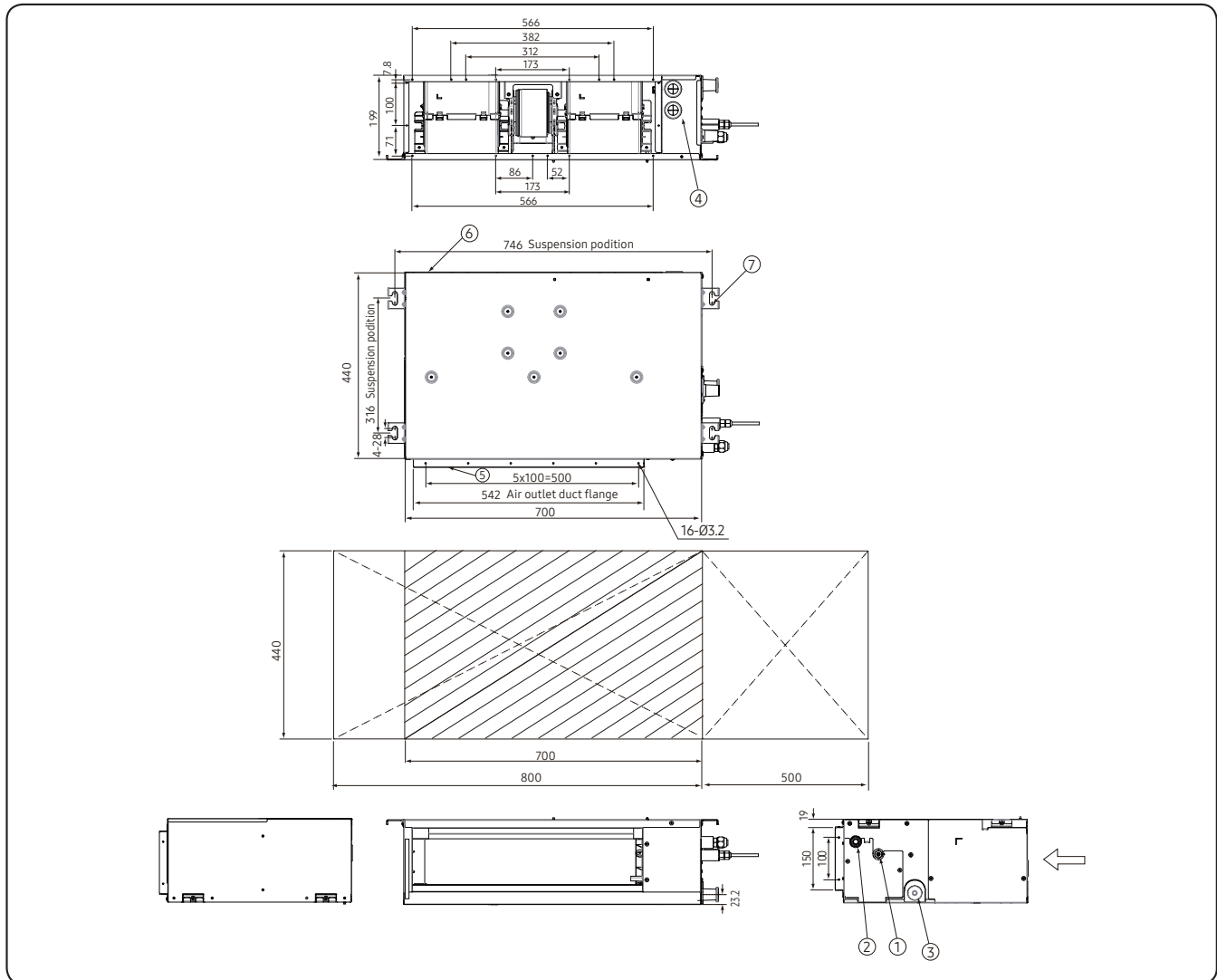
- As for suspension bolt, please use M8 ~ 10. (Produced at local site)

5. Dimensional Drawing

5-2. Indoor unit

6 Home duct : AJ026TNLDEG/EU, AJ035TNLDEG/EU

Units : mm [inches]



NO	Name	Description
1	Liquid pipe connection	ø6.35
2	Gas pipe connection	ø12.70
3	Drain pipe connection without drain pump	VP25 (OD ø32, ID ø25)
4	Power supply/Communication connection	-
5	Air discharge grille flange	-
6	Return air side	-
7	Hook	ø9.52 or M10

NOTE

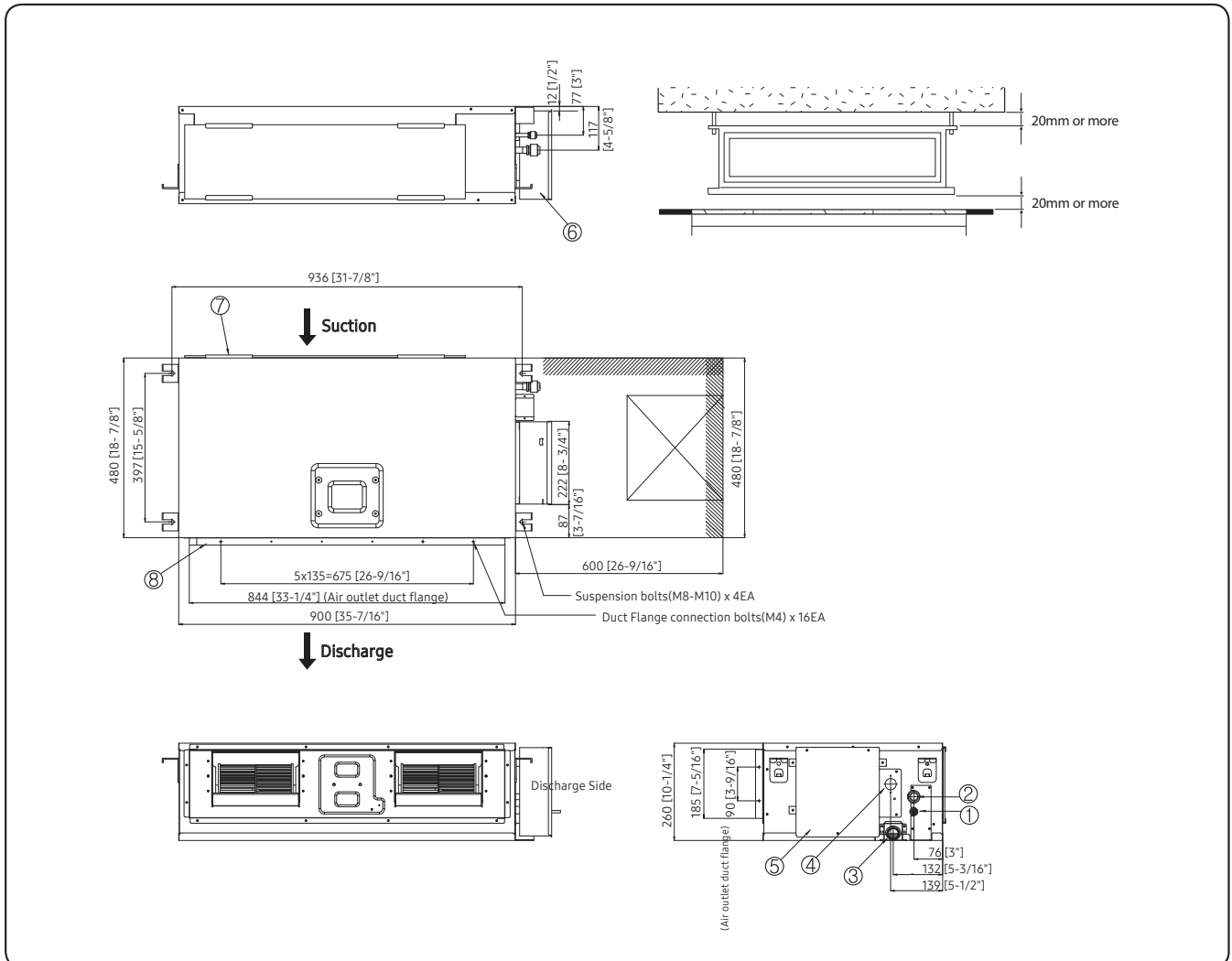
- As for drain pipe, please use VP25 (PVC, O.D.I - 1/4 (32 mm)).
- As for suspension bolt, please use M10 or W3/8. (Produced at local site)

5. Dimensional Drawing

5-2. Indoor unit

6 Home Duct : AJ052TNMDEG/EU

Units : mm [inches]



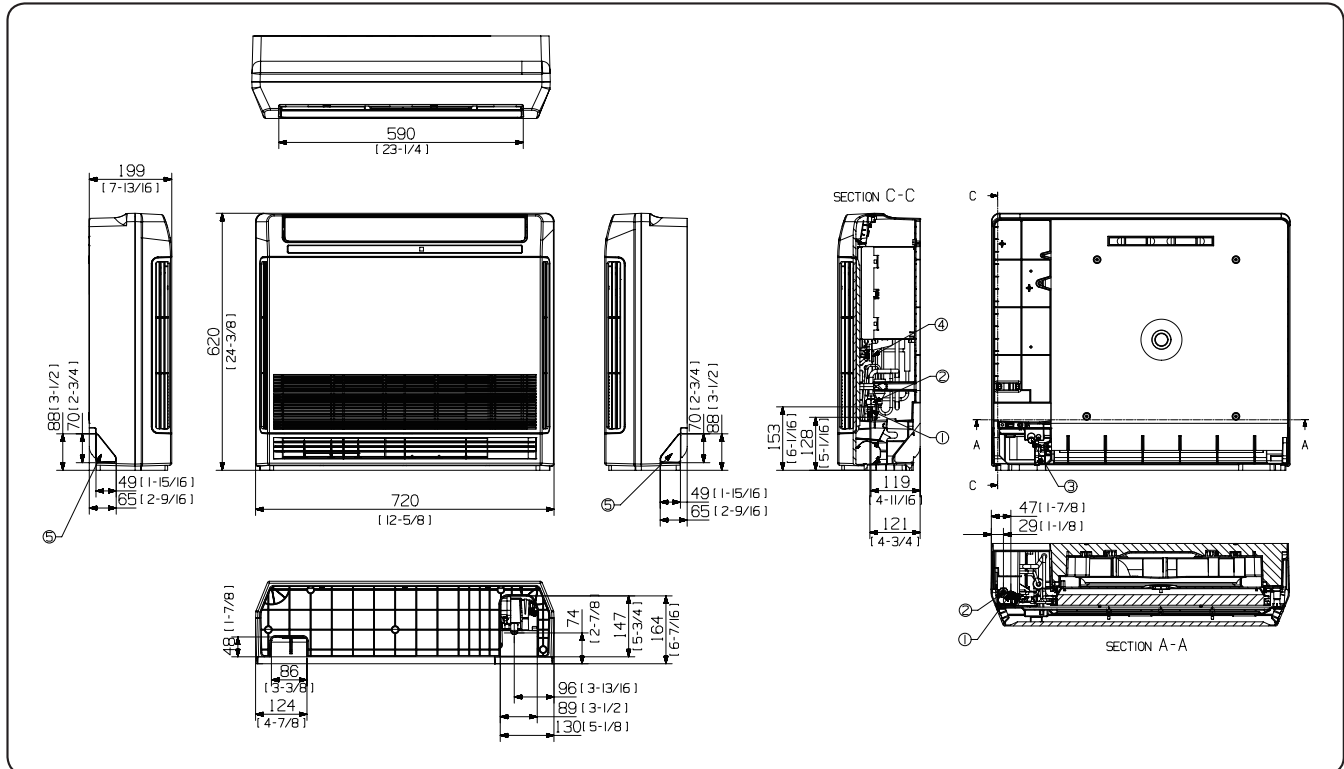
NO	Name	Description
1	Liquid pipe connection	Φ6.35 (1/4)
2	Gas pipe connection	Φ12.70(1/2)
3	Drain pipe connection	VP-25 (OD 32, ID 25)
4	Knockout hole for Drain pump	Option kit
5	Control unit	-
6	Conduit for power supply & Communication wiring	-
7	Return air side	-
8	Air outlet duct flange	-

5. Dimensional Drawing

5-2. Indoor unit

7 Console : AJ026TNJDKG/EU, AJ035TNJDKG/EU, AJ052TNJDKG/EU

Units : mm [inches]



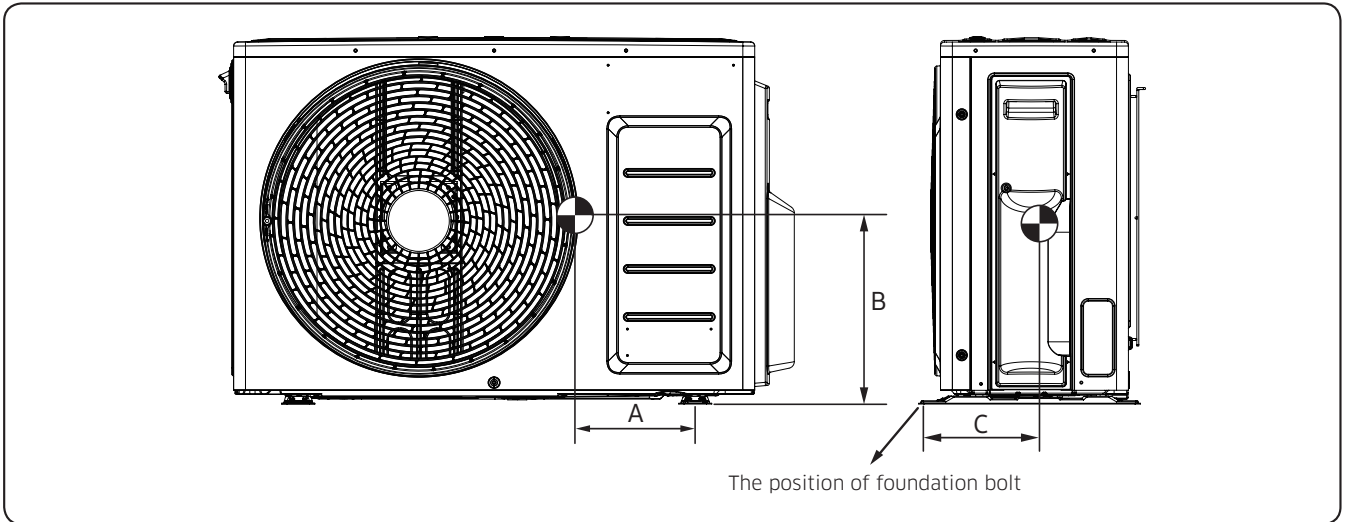
NO	Name	Description	
		AJ026TNJDKG/EU	AJ035TNJDKG/EU AJ052TNJDKG/EU
1	Liquid pipe connection	Φ6.35(1/4)	
2	Gas pipe connection	Φ9.52(3/8)	Φ12.7(1/2)
3	Drain pipe connection	ID18mm [11/16inch] Hose	
4	Power supply & Communication wiring conduit	-	
6	Knockout hole for drain hose	-	

6. Center of Gravity

6-1. Outdoor unit

1 AJ040TXJ2KG/EU, AJ050TXJ2KG/EU, AJ052TXJ3KG/EU

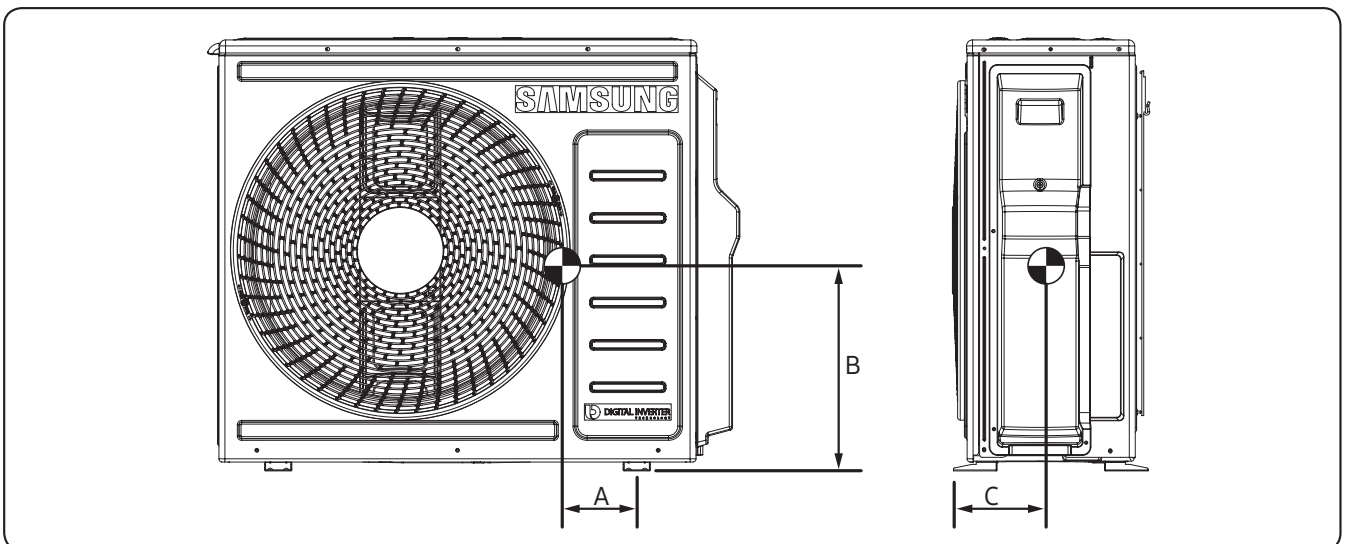
Unit : mm



Model	A	B	C
AJ040TXJ2KG/EU AJ050TXJ2KG/EU	232	223	165
AJ052TXJ3KG/EU	219	289	150

2 AJ068TXJ3KG/EU, AJ080TXJ4KG/EU

Unit : mm



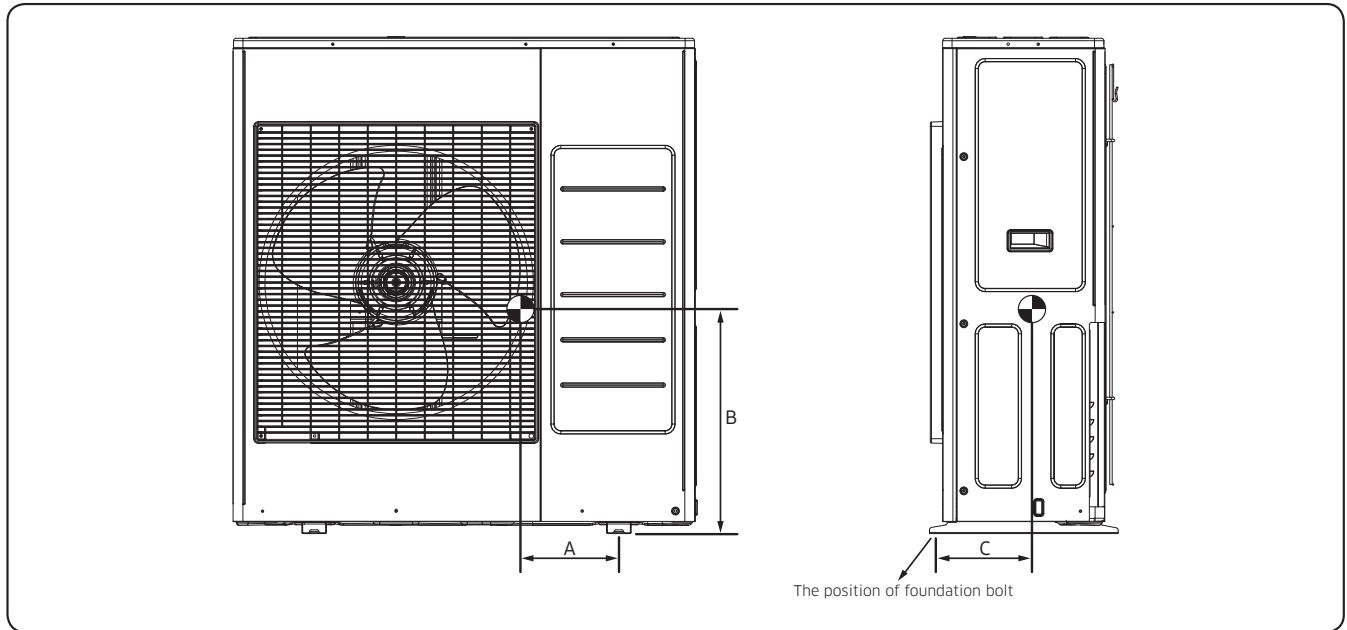
Model	A	B	C
AJ068TXJ3KG/EU AJ080TXJ4KG/EU	159	327	153

6. Center of Gravity

6-1. Outdoor unit

3 AJ100TXJ5KG/EU

Unit : mm



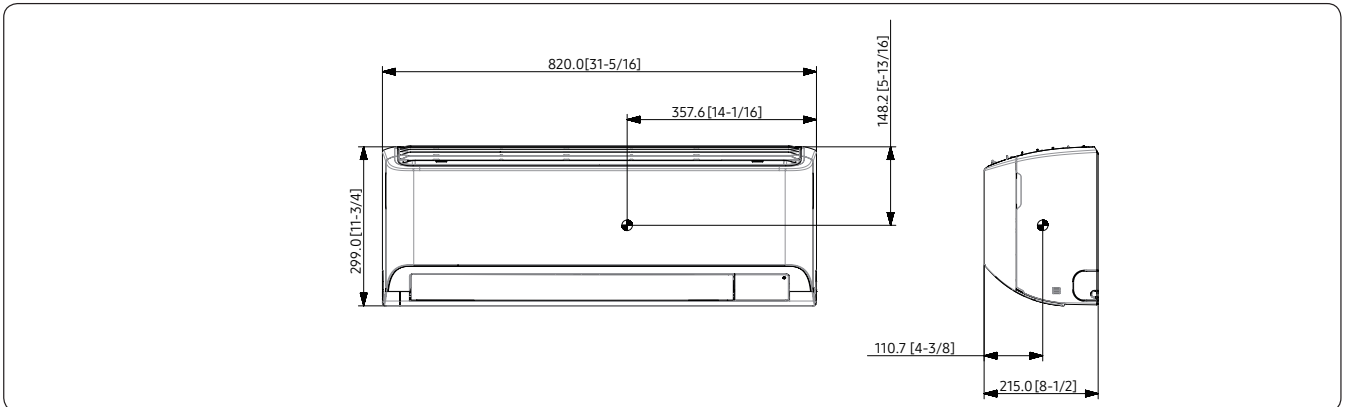
Model	A	B	C
AJ100TXJ5KG/EU	207	444	176

6. Center of Gravity

6-2. Indoor unit

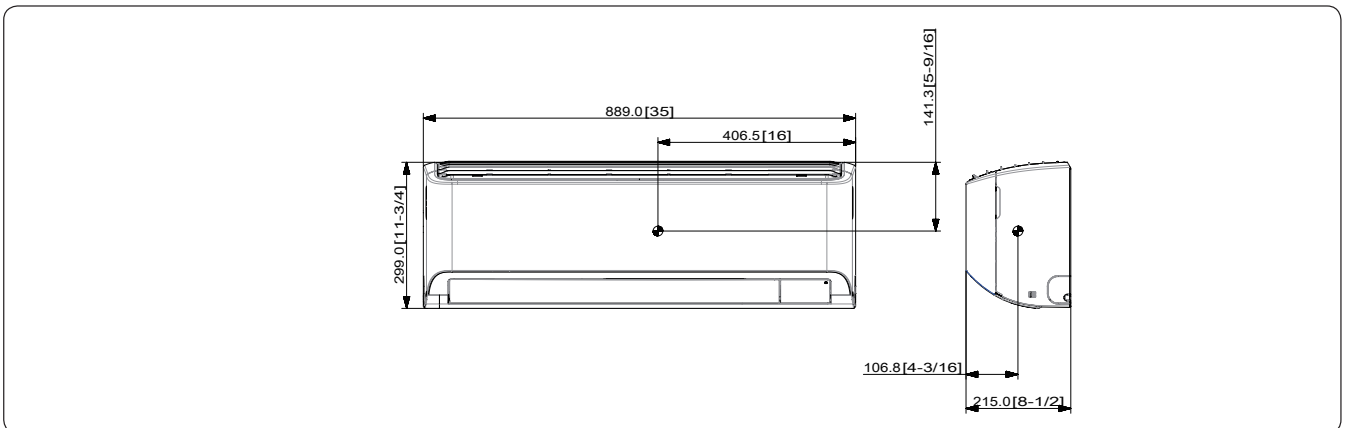
- 1 AR4500 : AR07TXHZAWKNEU, AR09TXHZAWKNEU, AR12TXHZAWKNEU
 AR5500 : AR07TXFYAWKNEU, AR09TXFYAWKNEU, AR12TXFYAWKNEU
 AR9500 : AR07TXFCAWKNEU, AR09TXFCAWKNEU, AR12TXFCAWKNEU

Unit: mm (inches)



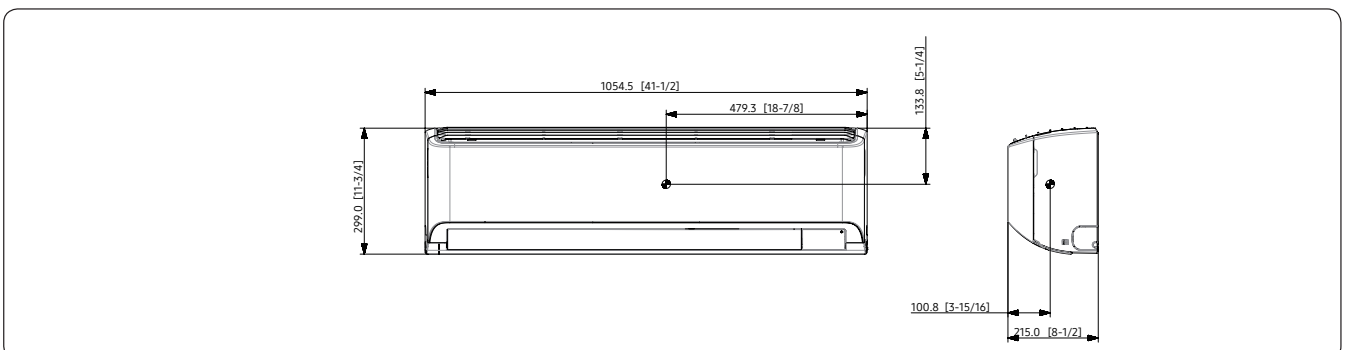
- 2 AR9500 : AR07TXEAAWKNEU, AR09TXEAAWKNEU, AR12TXEAAWKNEU
 AR07TXCAAWKNEU, AR09TXCAAWKNEU, AR12TXCAAWKNEU

Unit: mm (inches)



- 3 AR4500 : AR18TXHZAWKNEU, AR24TXHZAWKNEU
 AR5500 : AR18TXFYAWKNEU, AR24TXFYAWKNEU
 AR9500 : AR18TXFCAWKNEU, AR24TXFCAWKNEU, AR18TXEAAWKNEU, AR24TXEAAWKNEU

Unit: mm (inches)

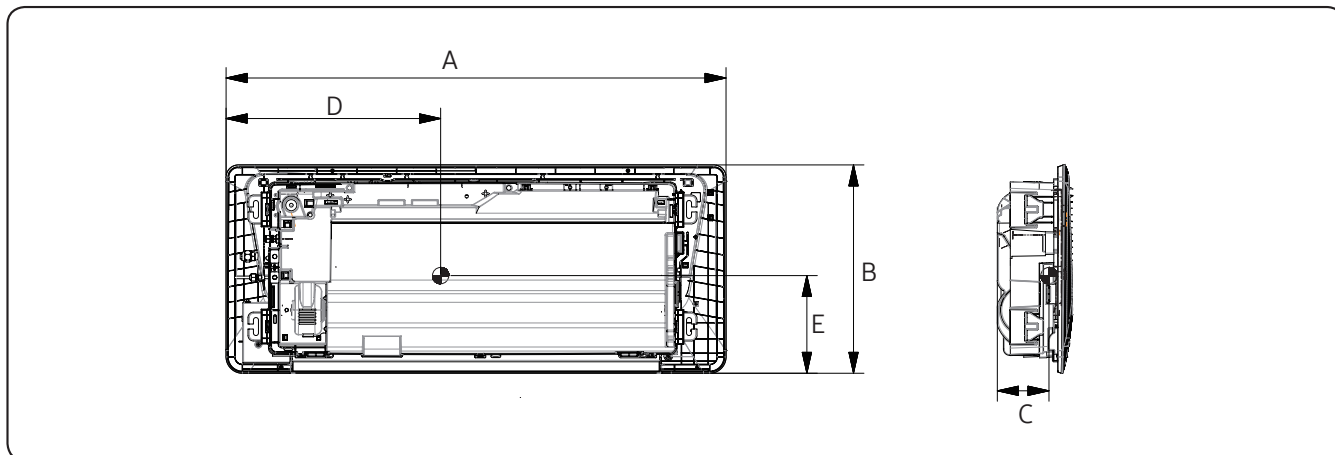


6. Center of Gravity

6-2. Indoor unit

4 Wind-Free 1Way Cassette : AJ026TN1DKG/EU, AJ035TN1DKG/EU

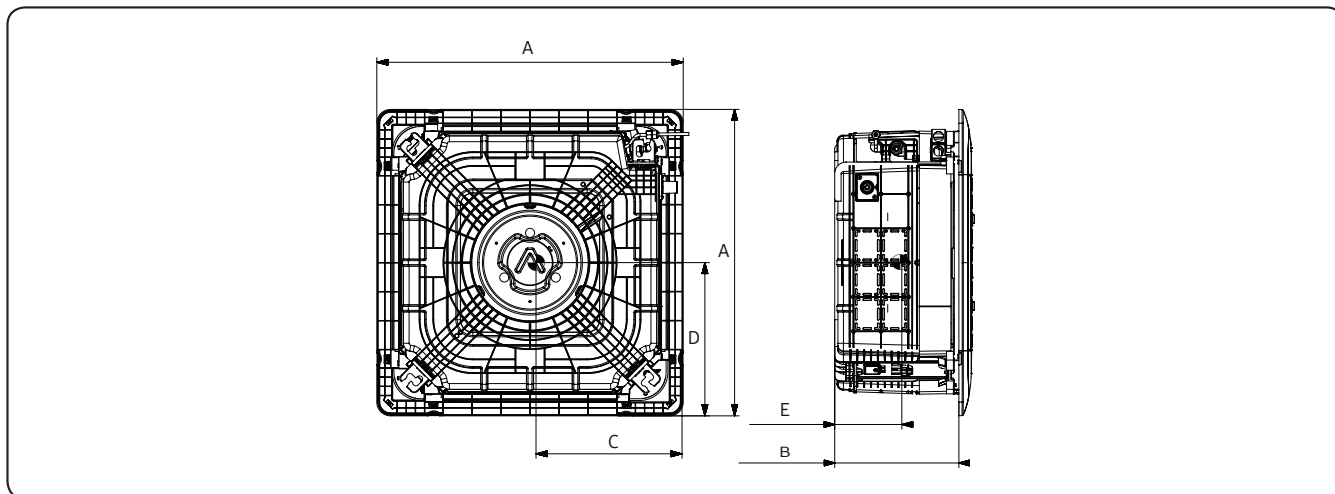
Unit : mm



Model	A	B	C	D	E
AJ026TN1DKG/EU AJ035TN1DKG/EU	1,198	500	108	555	200

5 Wind-Free 4Way Cassette (600x600) : AJ016TNNDKG/EU, AJ020TNNDKG/EU, AJ026TNNDKG/EU, AJ035TNNDKG/EU, AJ052TNNDKG/EU

Unit : mm



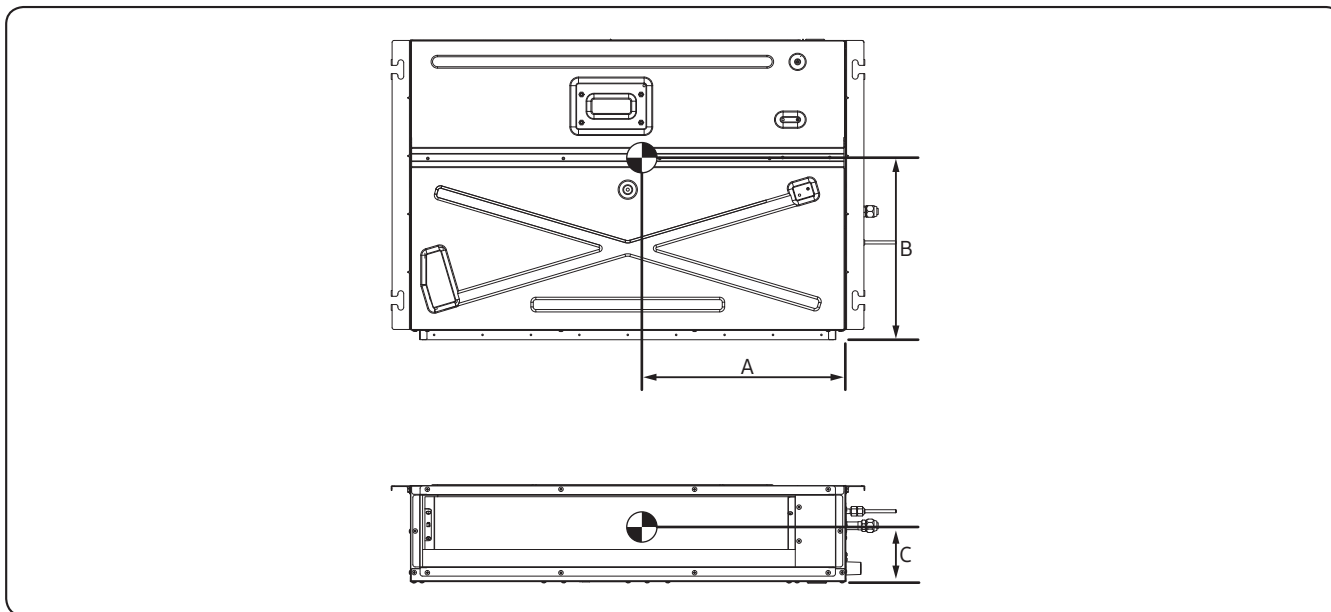
Model	A	B	C	D	E
AJ016TNNDKG/EU, AJ020TNNDKG/EU, AJ026TNNDKG/EU, AJ035TNNDKG/EU, AJ052TNNDKG/EU	620 [24-3/8]	276 [10-14/16]	295 [11-5/8]	320 [12-5/16]	145 [5-11/16]

6. Center of Gravity

6-2. Indoor unit

6 Home duct : AJ026TNLDEG/EU, AJ035TNLDEG/EU, AJ052TNMDEG/EU

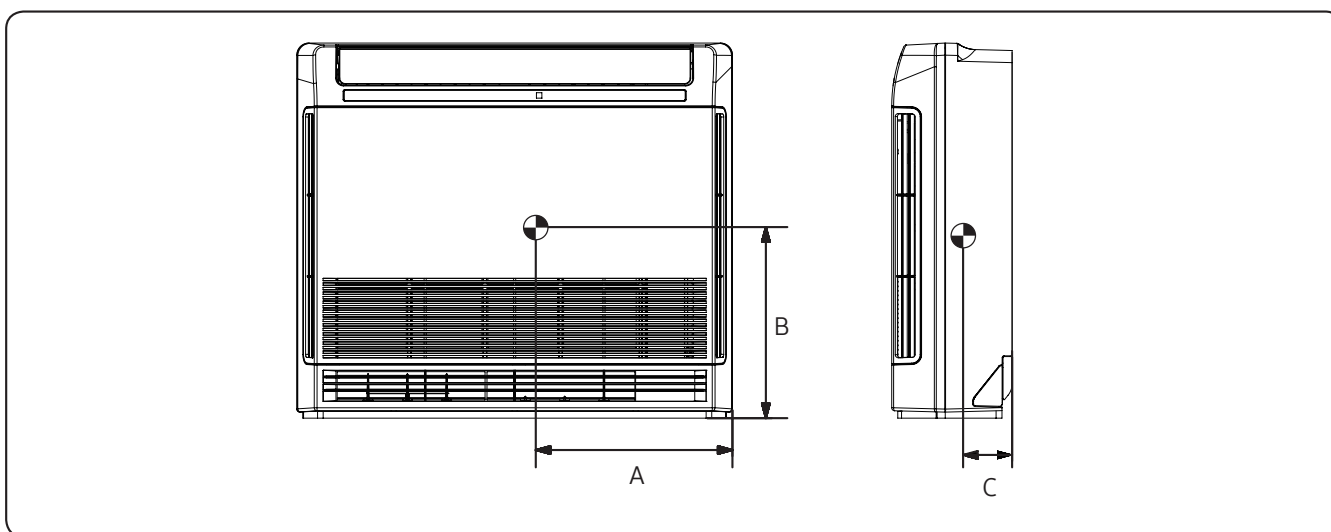
Unit : mm



Model	A	B	C
AJ026TNLDEG/EU, AJ035TNLDEG/EU	450	335	105
AJ052TNMDEG/EU	430	265	130

7 Console : AJ026TNJDKG/EU, AJ035TNJDKG/EU, AJ052TNJDKG/EU

Unit : mm

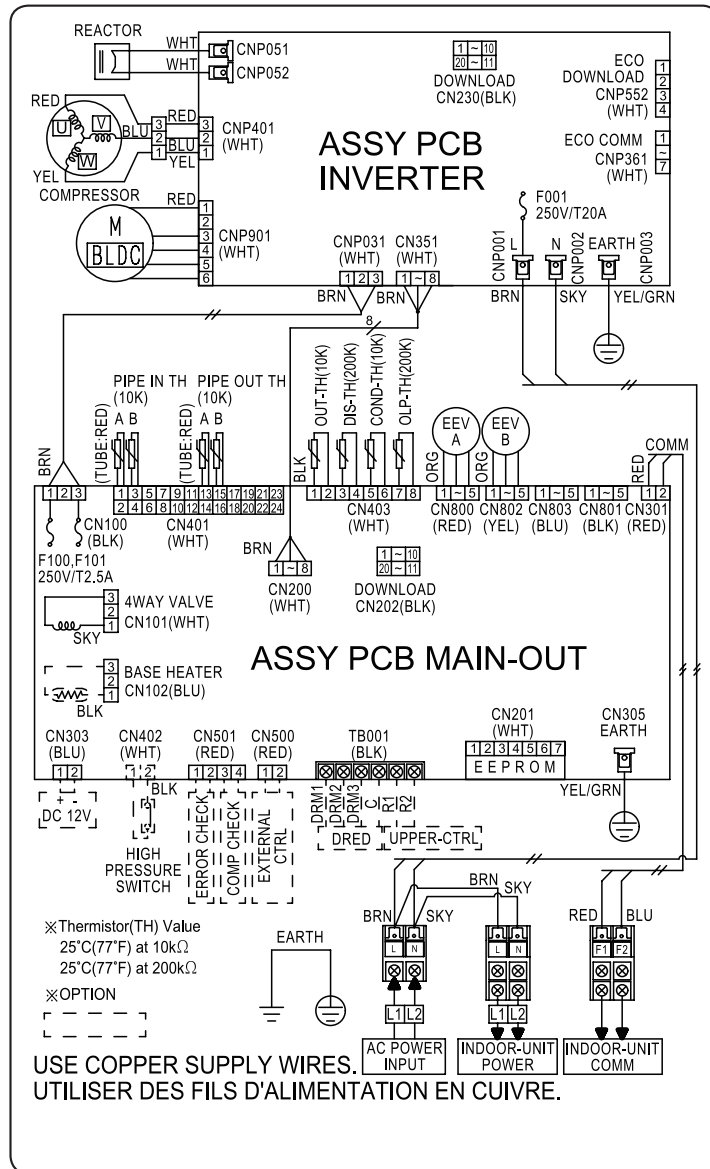


Model	A	B	C
AJ026TNJDKG/EU, AJ035TNJDKG/EU, AJ052TNJDKG/EU	410	320	90

7. Electrical Wiring Diagram

7-1 Outdoor unit

1 AJ040/050TXJ2KG/EU



ASSY PCB INVERTER	Printed circuit board(Inverter PBA)
ASSY PCB MAIN	Printed circuit board(Main PBA)
F001(250V/ T30A)	Fuse(Inverter PBA)
F100(250V/ T2.5A)	Fuse(Main PBA)
F101(250V/ T2.5A)	Fuse(Main PBA)
OUT-TH	Thermistor(Ambient Temp. - 10kohm)
DIS-TH	Thermistor(Discharge Temp. - 200kohm)
COND-TH	Thermistor(Condensor Temp. - 10kohm)
OLP-TH	Thermistor(Compressor Top Temp. - 200kohm)
PIPE IN TH - A	Thermistor(A Pipe In Temp. - 10kohm)
PIPE IN TH - B	Thermistor(B Pipe In Temp. - 10kohm)
PIPE OUT TH - A	Thermistor(A Pipe Out Temp. - 10kohm)
PIPE OUT TH - B	Thermistor(B Pipe Out Temp. - 10kohm)
EEV - A	Electronic Expansion Valve A
EEV - B	Electronic Expansion Valve B
COMPRESSOR	Motor(Compressor)
M-BLDC	Motor(FAN)
4WAY VALVE	Solenoid Valve(4Way)
BASE HEATER	Heating Wire

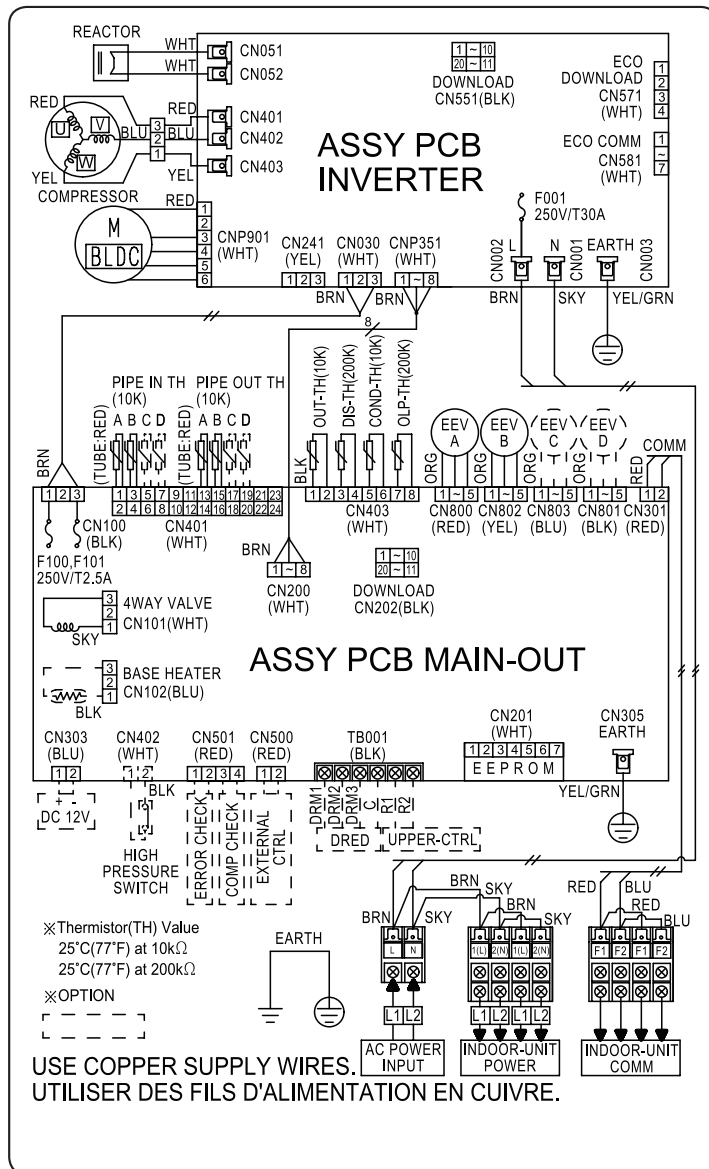
NOTE

- This wiring diagram applies only to the outdoor unit.
- Colors BLK : black, BRN : brown, SKY-BLU : sky-blue, GRN/YEL : green/yellow, RED : red, YEL : yellow, ORG : orange, BLU : blue, WHT: white
- For connection wiring indoor-outdoor transmission, refer to the installation manual
- Protective earth(screw)

7. Electrical Wiring Diagram

7-1 Outdoor unit

2 AJ052/068TXJ3KG/EU, AJ080TXJ4KG/EU



ASSY PCB INVERTER	Printed circuit board(Inverter PBA)
ASSY PCB MAIN	Printed circuit board(Main PBA)
F001(250V/T30A)	Fuse(Inverter PBA)
F100(250V/T2.5A)	Fuse(Main PBA)
F101(250V/T2.5A)	Fuse(Main PBA)
OUT-TH	Thermistor(Ambient Temp. - 10kohm)
DIS-TH	Thermistor(Discharge Temp. - 200kohm)
COND-TH	Thermistor(Condensor Temp. - 10kohm)
OLP-TH	Thermistor(Compressor Top Temp. - 200kohm)
PIPE IN TH - A	Thermistor(A Pipe In Temp. - 10kohm)
PIPE IN TH - B	Thermistor(B Pipe In Temp. - 10kohm)
PIPE IN TH - C	Thermistor(C Pipe In Temp. - 10kohm)
PIPE IN TH - D	Thermistor(D Pipe In Temp. - 10kohm)
PIPE OUT TH - A	Thermistor(A Pipe Out Temp. - 10kohm)
PIPE OUT TH - B	Thermistor(B Pipe Out Temp. - 10kohm)
PIPE OUT TH - C	Thermistor(C Pipe Out Temp. - 10kohm)
PIPE OUT TH - D	Thermistor(D Pipe Out Temp. - 10kohm)
EEV - A	Electronic Expansion Valve A
EEV - B	Electronic Expansion Valve B
EEV - C	Electronic Expansion Valve C
EEV - D	Electronic Expansion Valve D
COMPRESSOR	Motor(Compressor)
M-BLDC	Motor(FAN)
4WAY VALVE	Solenoid Valve(4Way)
BASE HEATER	Heating Wire

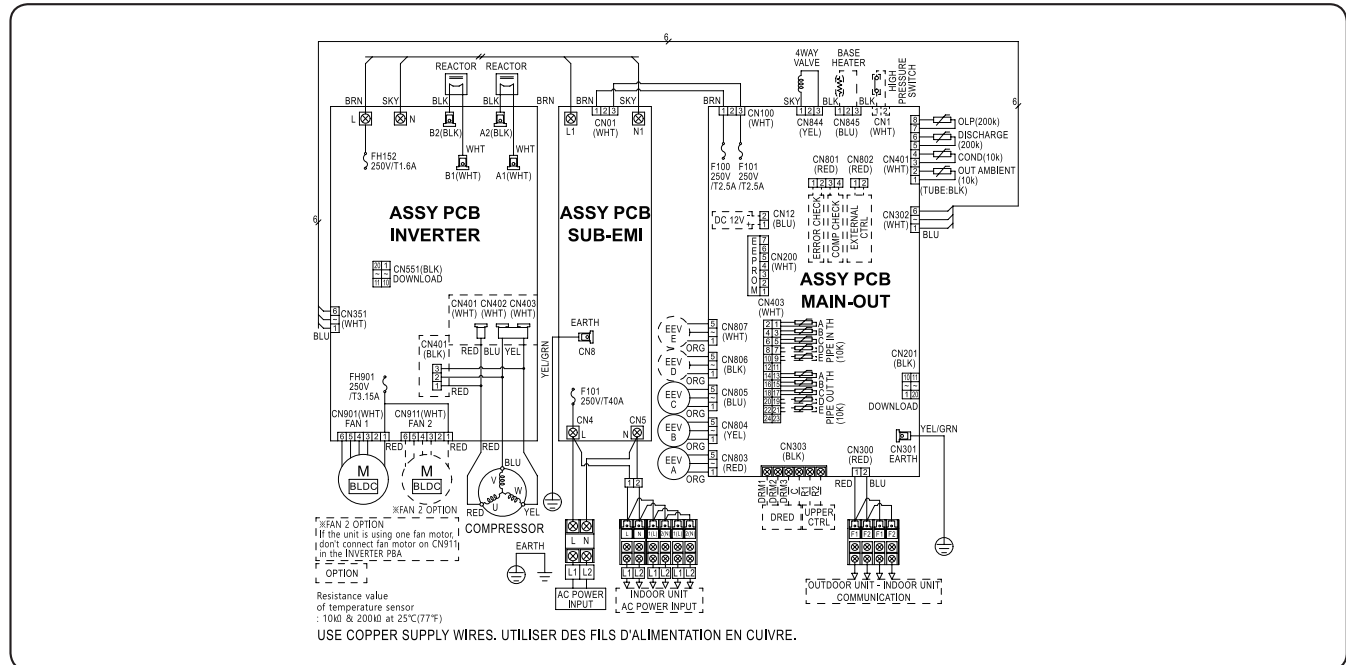
NOTE

- This wiring diagram applies only to the outdoor unit.
- Colors BLK : black, BRN : brown, SKY-BLU : sky-blue, GRN/YEL : green/yellow, RED : red, YEL : yellow, ORG : orange, BLU : blue, WHT: white
- For connection wiring indoor-outdoor transmission, refer to the installation manual
- Protective earth(screw)

7. Electrical Wiring Diagram

7-1 Outdoor unit

3 AJ100TXJ5KG/EU



ASSY PCB INVERTER	Printed circuit board(Inverter PBA)	BASE HEATER	Heating Wire	PIPE OUT TH - A	Thermistor(A Pipe Out Temp. - 10kohm)
ASSY PCB SUB-EMI	Printed circuit board(EMI PBA)	OUT-TH	Thermistor(Ambient Temp. - 10kohm)	PIPE OUT TH - B	Thermistor(B Pipe Out Temp. - 10kohm)
ASSY PCB MAIN-OUT	Printed circuit board(Main PBA)	DIS-TH	Thermistor(Discharge Temp. - 200kohm)	PIPE OUT TH - C	Thermistor(C Pipe Out Temp. - 10kohm)
FH152(250V/T1.6A)	Fuse(Inverter PBA)	COND-TH	Thermistor(Condensor Temp. - 10kohm)	PIPE OUT TH - D	Thermistor(D Pipe Out Temp. - 10kohm)
FH901(250V/T3.15A)	Fuse(Inverter PBA)	OLP-TH	Thermistor(Compressor Top Temp. - 200kohm)	PIPE OUT TH - E	Thermistor(E Pipe Out Temp. - 10kohm)
F101(250V/T40A)	Fuse(EMI PBA)	PIPE IN TH - A	Thermistor(A Pipe In Temp. - 10kohm)	EEV - A	Electronic Expansion Valve A
F100(250V/T2.5A)	Fuse(Main PBA)	PIPE IN TH - B	Thermistor(B Pipe In Temp. - 10kohm)	EEV - B	Electronic Expansion Valve B
F101(250V/T2.5A)	Fuse(Main PBA)	PIPE IN TH - C	Thermistor(C Pipe In Temp. - 10kohm)	EEV - C	Electronic Expansion Valve C
COMPRESSOR	Motor(Compressor)	PIPE IN TH - D	Thermistor(D Pipe In Temp. - 10kohm)	EEV - D	Electronic Expansion Valve D
M-BLDC	Motor(FAN)	PIPE IN TH - E	Thermistor(E Pipe In Temp. - 10kohm)	EEV - E	Electronic Expansion Valve E
4WAY VALVE	Solenoid Valve(4Way)				

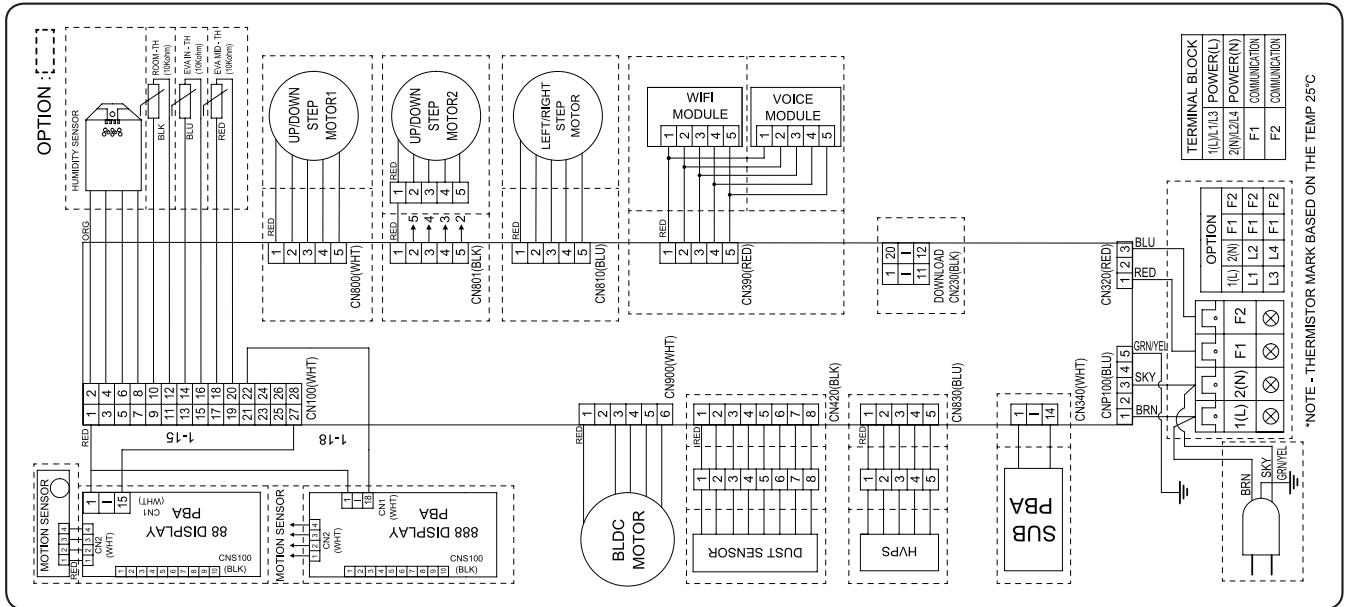
NOTE

- This wiring diagram applies only to the outdoor unit.
- Colors BLK : black, BRN : brown, SKY-BLU : sky-blue, GRN/YEL : green/yellow, RED : red, YEL : yellow, ORG : orange, BLU : blue, WHT: white
- For connection wiring indoor-outdoor transmission 3(C), refer to the installation manual
- Protective earth(screw)

7. Electrical Wiring Diagram


7-2 Indoor unit

1 Wall-mounted : AR4500, AR5500, AR9500



MAIN PBA	Printed circuit board(MAIN)	BLDC MOTOR	BLDC Motor	ROOM-TH(10K)	Thermistor ROOM
888 DISPLAY	Printed circuit board(DISPLAY)	HVPS	High voltage power supply(Optional)	EVA IN-TH(10K)	Thermistor EVA IN
SUB	Printed circuit board(SUB)	DUST SENSOR	Dust Sensor(Optional)	EVA MID-TH(10K)	Thermistor EVA OUT
WIFI MODULE	Wifi(Optional)	HUMIDITY SENSOR	Humidity Sensor(Optional)	STEP MOTOR1	Up/Down Louver
VOICE MODULE	Voice recognition(Optional)	STEP MOTOR	Left/Rigth Louver	STEP MOTOR2	Up/Down Louver(Optional)

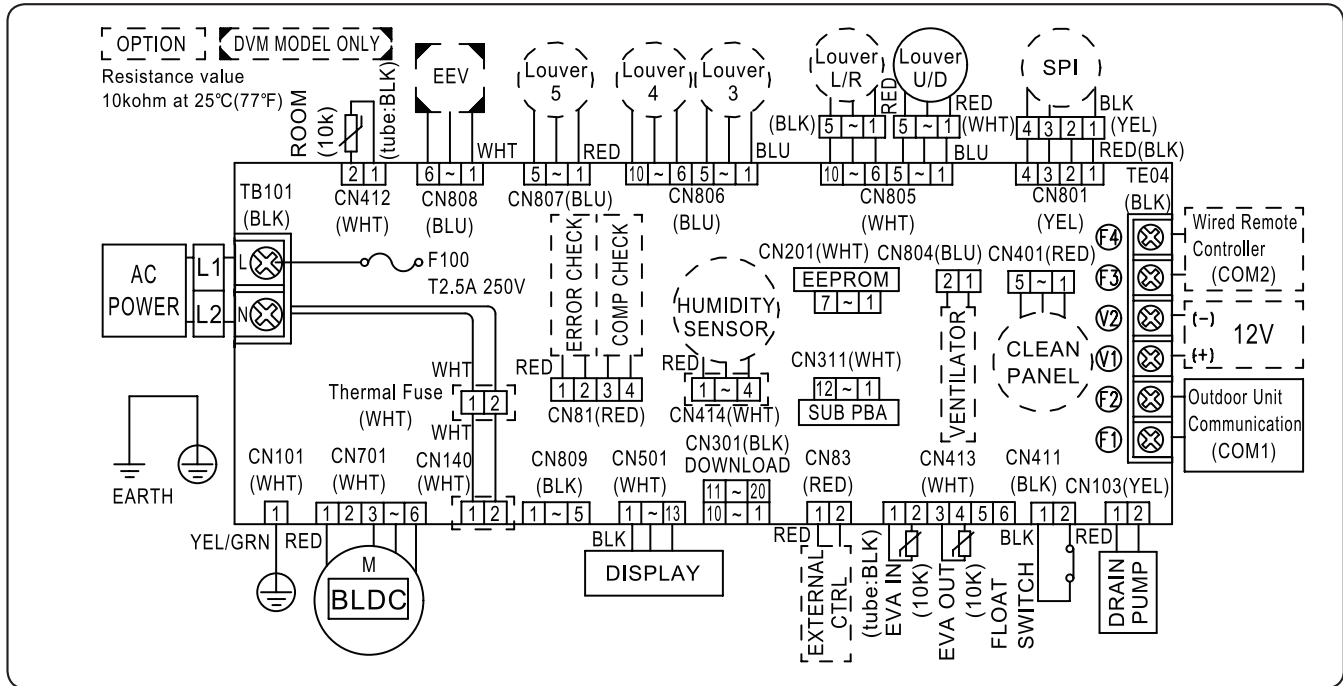
NOTE

- This wiring diagram applies only to the outdoor unit.
- Colors BLK : black, BRN : brown, SKY-BLU : sky-blue, GRN/YEL : green/yellow, RED : red, YEL : yellow, ORG : orange, BLU : blue, WHT: white
- For connection wiring indoor-outdoor transmission 3(C), refer to the installation manual
-  Protective earth(screw)

7. Electrical Wiring Diagram


7-2 Indoor unit

2 Wind-Free 1Way Cassette



MAIN PBA	Printed circuit board(MAIN)	M-BLDC	BLDC Motor	ROOM-TH(10K)	Thermistor ROOM
FLOAT SWITCH	Switch of the float of Drain	EEV	Electronic Expansion Valve(Optional)	EVA IN-TH(10K)	Thermistor EVA IN
HUMIDITY SENSOR	Humidity Sensor(Optional)	SPI	S-Plasma ion(Optional)	EVA OUT-TH(10K)	Thermistor EVA OUT

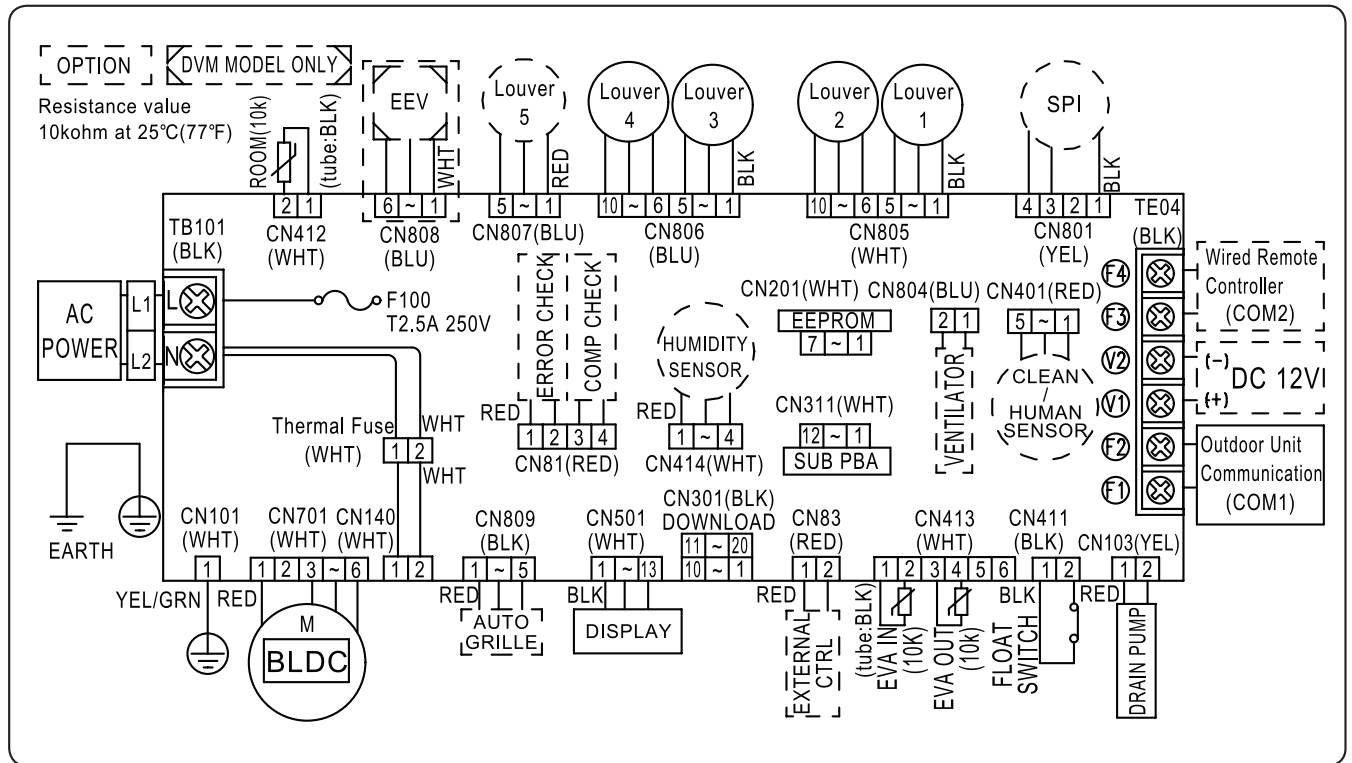
NOTE

- This wiring diagram applies only to the outdoor unit.
- Colors BLK : black, BRN : brown, SKY-BLU : sky-blue, GRN/YEL : green/yellow, RED : red, YEL : yellow, ORG : orange, BLU : blue, WHT: white
- For connection wiring indoor-outdoor transmission 3(C), refer to the installation manual
-  Protective earth(screw)

7. Electrical Wiring Diagram

7-2 Indoor unit

3 Wind-Free 4Way Cassette (600x600)



MAIN PBA	Printed circuit board(MAIN)	M-BLDC	BLDC Motor	ROOM-TH(10K)	Thermistor ROOM
FLOAT SWITCH	Switch of the float of Drain	EEV	Electronic Expansion Valve(Optional)	EVA IN-TH(10K)	Thermistor EVA IN
HUMIDITY SENSOR	Humidity Sensor(Optional)	SPI	S-Plasma ion(Optional)	EVA OUT-TH(10K)	Thermistor EVA OUT

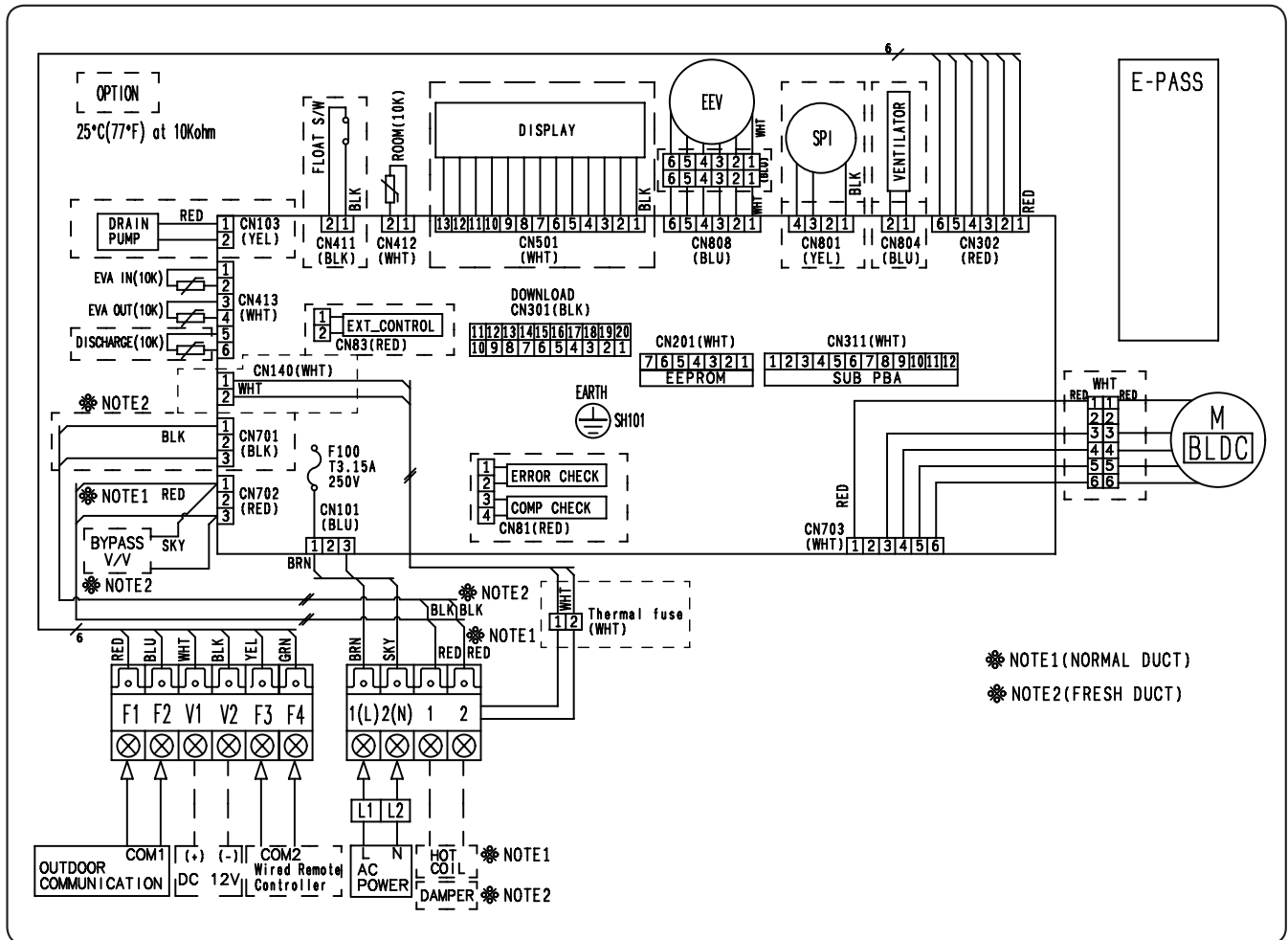
NOTE

- This wiring diagram applies only to the indoor unit.
- Colors BLK : black, BRN : brown, SKY-BLU : sky-blue, GRN/YEL : green/yellow, RED : red, YEL : yellow, ORG : orange, BLU : blue, WHT:white
- For connection wiring indoor-outdoor transmission F1-F2, indoor-wired remotecontroller transmission F3-F4, refer to the installation manual
- Protective earth(screw)

7. Electrical Wiring Diagram

7-2 Indoor unit

4 Home duct : AJ026TNLDEG/EU, AJ035TNLDEG/EU



MAIN PCB	Printed circuit board(MAIN)	M-BLDC	BLDC Motor	ROOM-TH(10K)	Thermistor ROOM
DISPLAY PCB	Printed circuit board(Display_Option)	EEV	Electronic Expansion Valve(Optional)	EVA IN-TH(10K)	Thermistor EVA IN
FLOAT SWITCH	Switch of the float of Drain	SPI	S-Plasma ion(Optional)	EVA OUT-TH(10K)	Thermistor EVA OUT

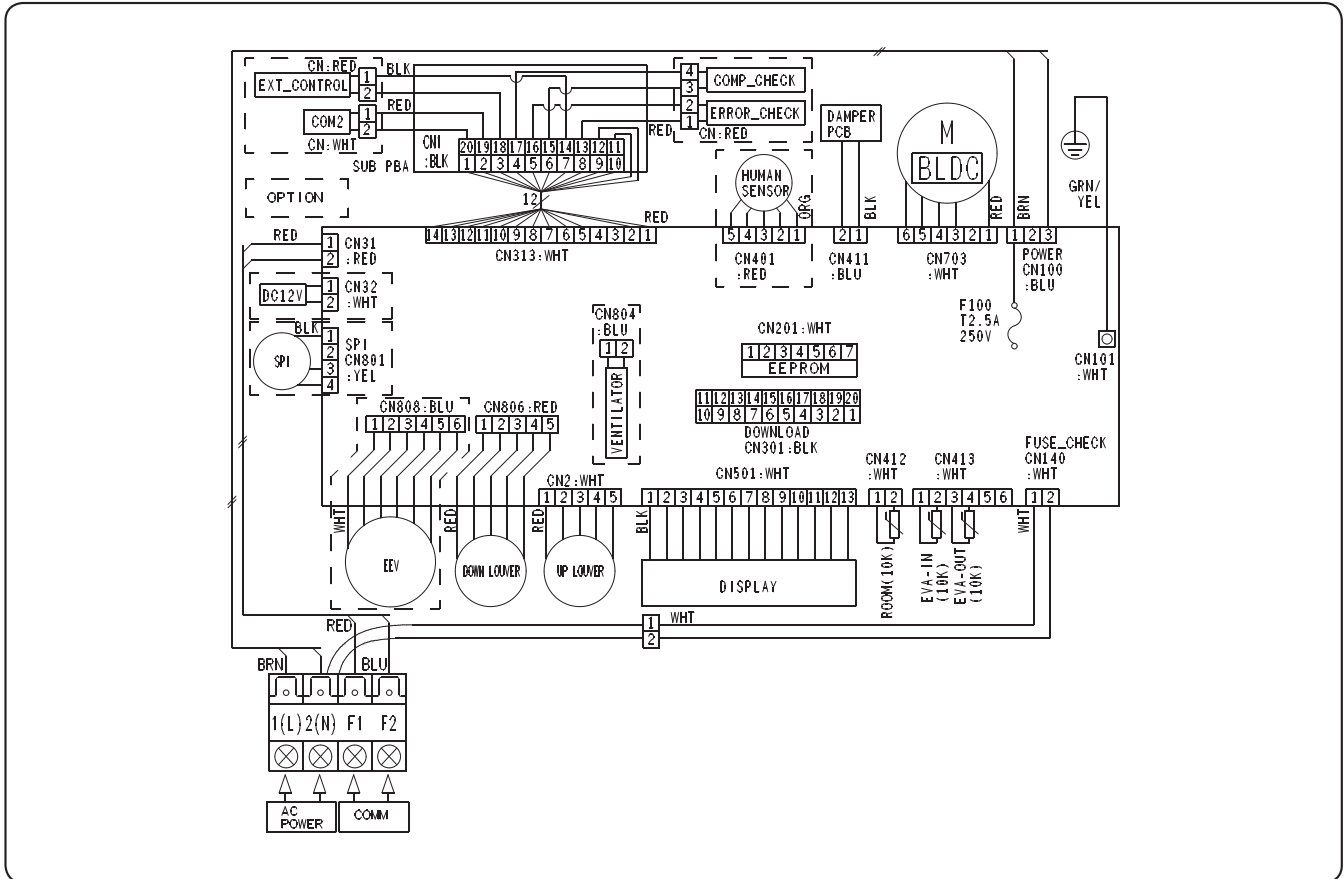
NOTE

- This wiring diagram applies only to the indoor unit.
- Colors BLK : black, BRN : brown, SKY-BLU : sky-blue, GRN/YEL : green/yellow, RED : red, YEL : yellow, ORG : orange, BLU : blue, WHT:white
- For connection wiring indoor-outdoor transmission F1-F2, indoor-wired remotecontroller transmission F3-F4, refer to the installation manual
- Protective earth(screw)

7. Electrical Wiring Diagram


7-2 Indoor unit

5 Console



MAIN PCB	Printed circuit board(MAIN)	M-BLDC	BLDC Motor	ROOM-TH(10K)	Thermistor ROOM
DAMPER PCB	Printed circuit board(SUB)	EEV	Electronic Expansion Valve(Optional)	EVA IN-TH(10K)	Thermistor EVA IN
HUMIDITY SENSOR	Humidity Sensor(Optional)	SPI	S-Plasma ion(Optional)	EVA OUT-TH(10K)	Thermistor EVA OUT

NOTE

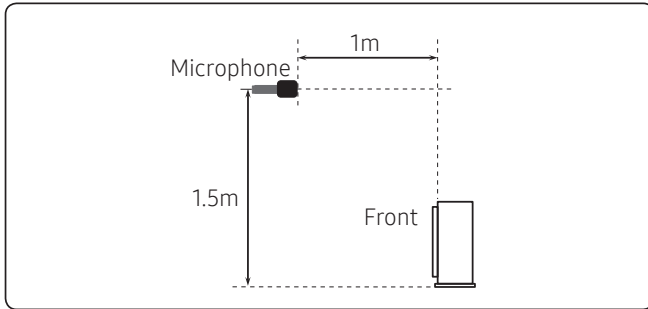
- This wiring diagram applies only to the indoor unit.
- Colors BLK : black, BRN : brown, SKY-BLU : sky-blue, GRN/YEL : green/yellow, RED : red, YEL : yellow, ORG : orange, BLU : blue, WHT:white
- For connection wiring indoor-outdoor transmission F1-F2, indoor-wired remotecontroller transmission F3-F4, refer to the installation manual
-  Protective earth(screw)

8. Sound Data

Sound Pressure level

8-1. Outdoor unit

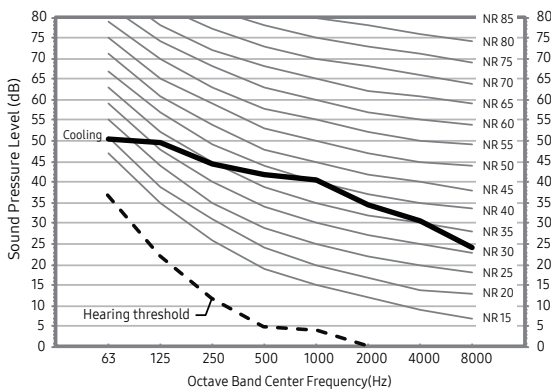
Unit: dB(A)



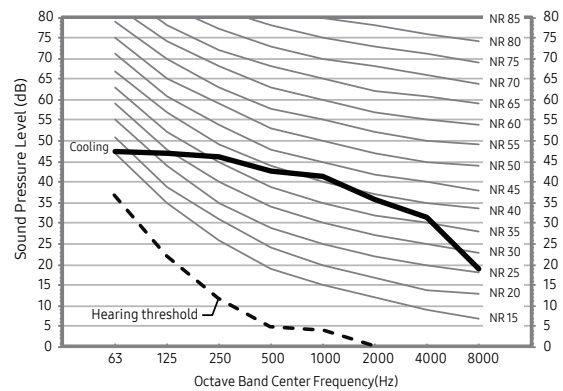
Model	Cooling	Heating
AJ040TXJ2KG/EU	45	46
AJ050TXJ2KG/EU	46	47
AJ052TXJ3KG/EU	46	48

- NR Curve

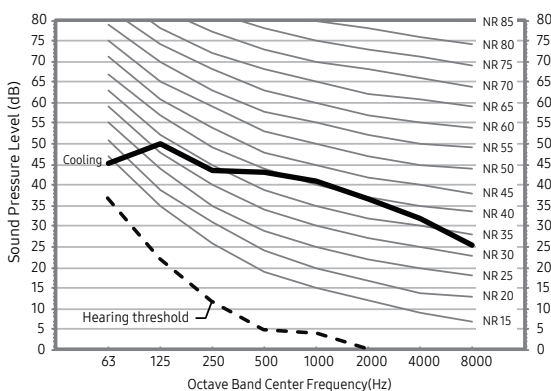
1) AJ040TXJ2KG/EU



2) AJ050TXJ2KG/EU



3) AJ052TXJ3KG/EU



NOTE

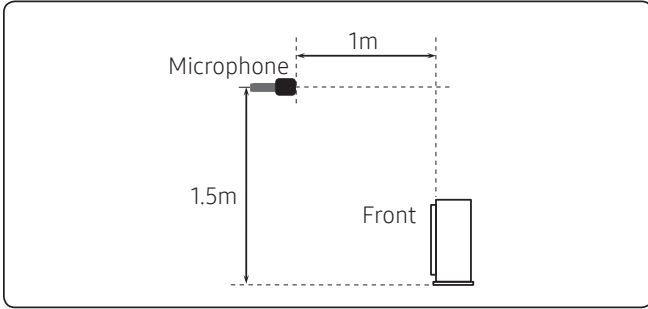
- Specifications may be subject to change without prior notice
 - Sound pressure level is obtained in an anechoic room.
 - Sound pressure level is a relative value, depending on the distance and acoustic environment.
 - Sound pressure level may differ depending on operation condition.
 - dBA = A-weighted sound pressure level
 - Reference acoustic pressure 0 dB = 20μPa

8. Sound Data

Sound Pressure level

8-1. Outdoor unit

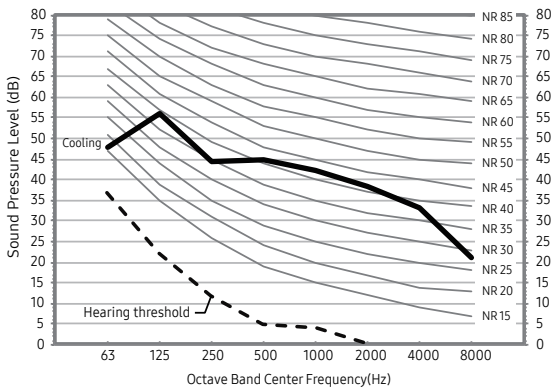
Unit: dB(A)



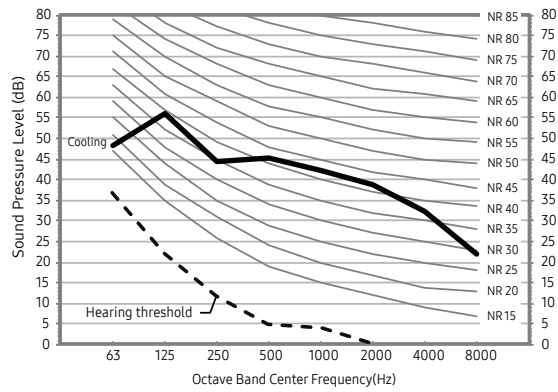
Model	Cooling	Heating
AJ068TXJ3KG/EU	48	50
AJ080TXJ4KG/EU	48	50
AJ100TXJ5KG/EU	54	56

- NR Curve

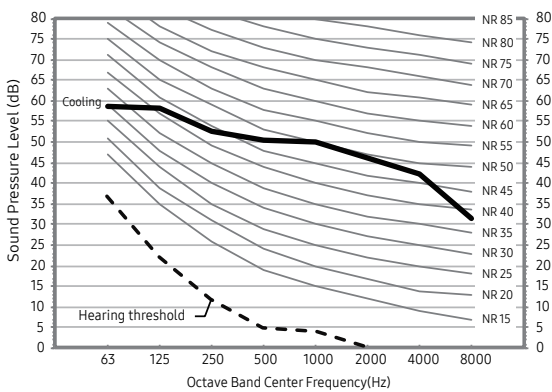
4) AJ068TXJ3KG/EU



5) AJ080TXJ4KG/EU



6) AJ100TXJ5KG/EU



NOTE

- Specifications may be subject to change without prior notice
 - Sound pressure level is obtained in an anechoic room.
 - Sound pressure level is a relative value, depending on the distance and acoustic environment.
 - Sound pressure level may differ depending on operation condition.
 - dBA = A-weighted sound pressure level
 - Reference acoustic pressure 0 dB = 20μPa

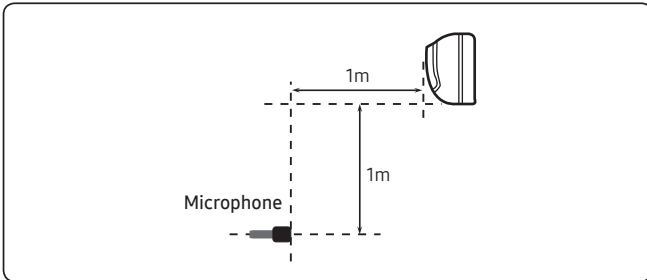
8. Sound Data

Sound Pressure level

8-2. Indoor unit

1 AR4500

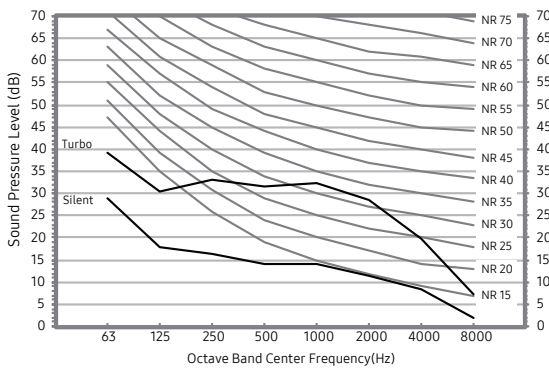
Unit: dB(A)



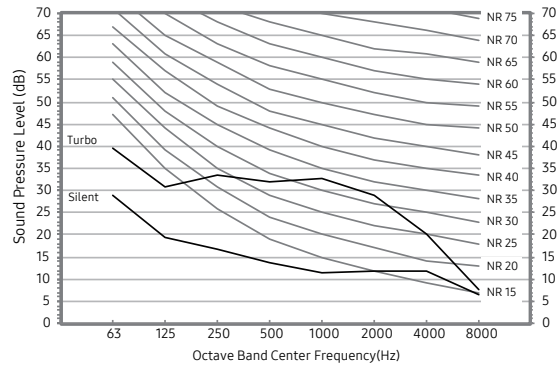
Model	Turbo	Silent
AR07TXHZAWKNEU	36	19
AR09TXHZAWKNEU	37	19
AR12TXHZAWKNEU	38	19

- NR Curve

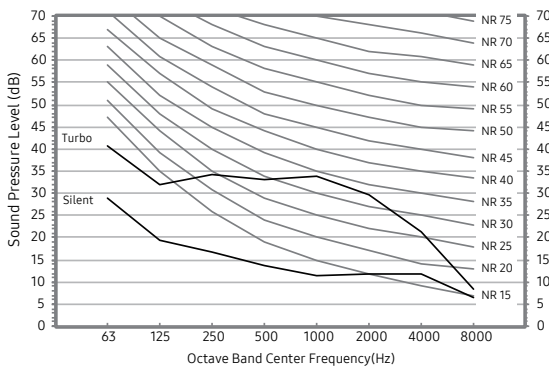
1) AR07TXHZAWKNEU



2) AR09TXHZAWKNEU



3) AR12TXHZAWKNEU



NOTE

- Specifications may be subject to change without prior notice
 - Sound pressure level is obtained in an anechoic room.
 - Sound pressure level is a relative value, depending on the distance and acoustic environment.
 - Sound pressure level may differ depending on operation condition.
 - dB(A) = A-weighted sound pressure level
 - Reference acoustic pressure 0 dB = 20μPa

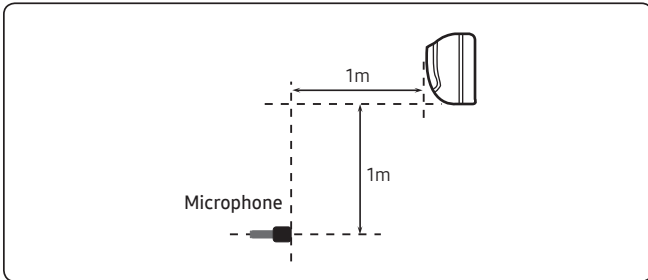
8. Sound Data

Sound Pressure level

8-2. Indoor unit

1 AR4500

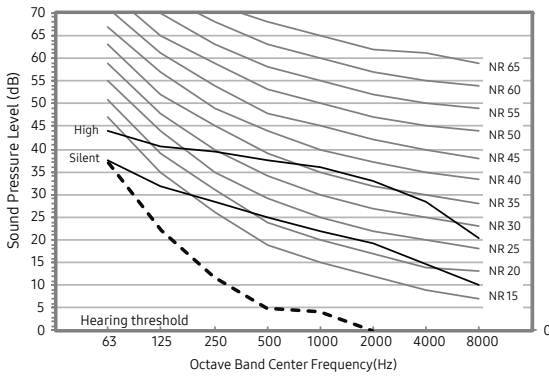
Unit: dB(A)



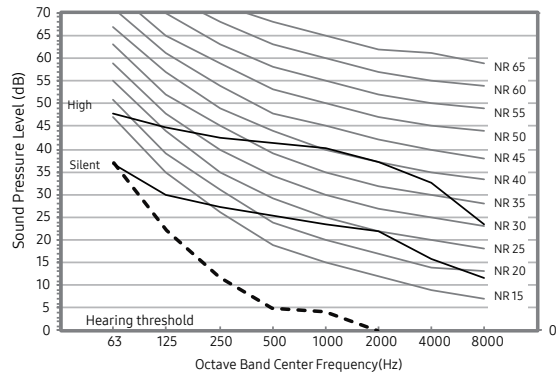
Model	Turbo	Silent
AR18TXHZAWKNEU	41	28
AR24TXHZAWKNEU	45	29

- NR Curve

4) AR18TXHZAWKNEU



5) AR24TXHZAWKNEU



NOTE

- Specifications may be subject to change without prior notice
 - Sound pressure level is obtained in an anechoic room.
 - Sound pressure level is a relative value, depending on the distance and acoustic environment.
 - Sound pressure level may differ depending on operation condition.
 - dBA = A-weighted sound pressure level
 - Reference acoustic pressure 0 dB = 20μPa

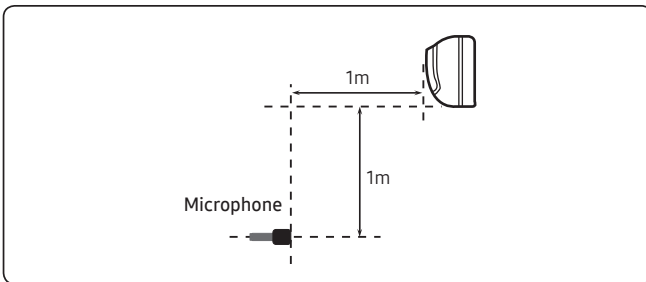
8. Sound Data

Sound Pressure level

8-2. Indoor unit

2 AR5500

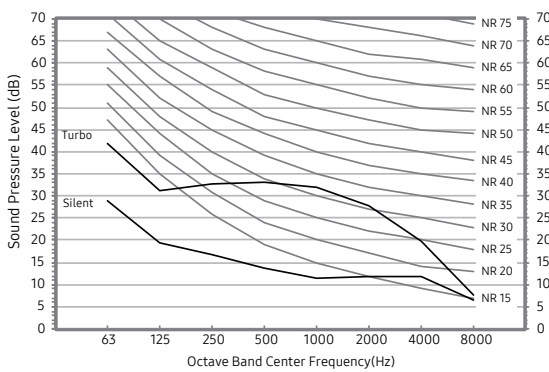
Unit: dB(A)



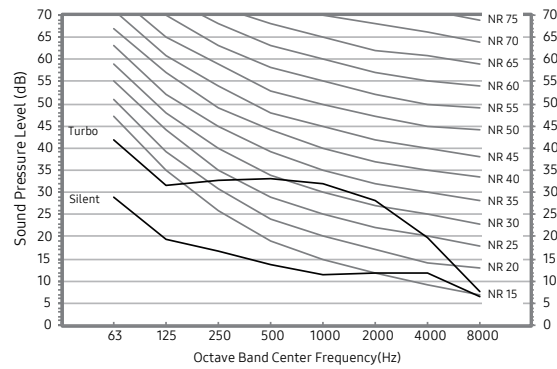
Model	Turbo	Silent
AR07TXFYAWKNEU	36	19
AR09TXFYAWKNEU	37	19
AR12TXFYAWKNEU	38	19

- NR Curve

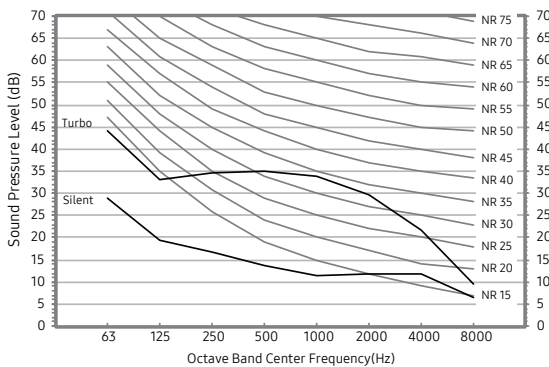
1) AR07TXFYAWKNEU



2) AR09TXFYAWKNEU



3) AR12TXFYAWKNEU



NOTE

- Specifications may be subject to change without prior notice
 - Sound pressure level is obtained in an anechoic room.
 - Sound pressure level is a relative value, depending on the distance and acoustic environment.
 - Sound pressure level may differ depending on operation condition.
 - dB(A) = A-weighted sound pressure level
 - Reference acoustic pressure 0 dB = 20μPa

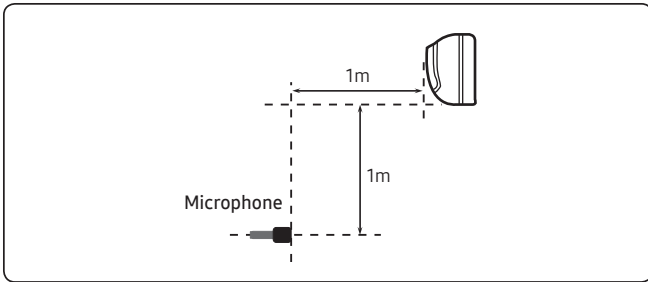
8. Sound Data

Sound Pressure level

8-2. Indoor unit

2 AR5500

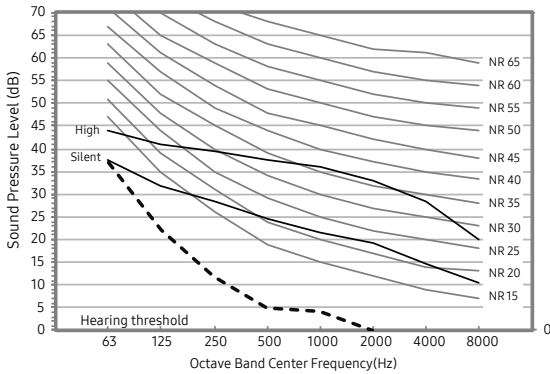
Unit: dB(A)



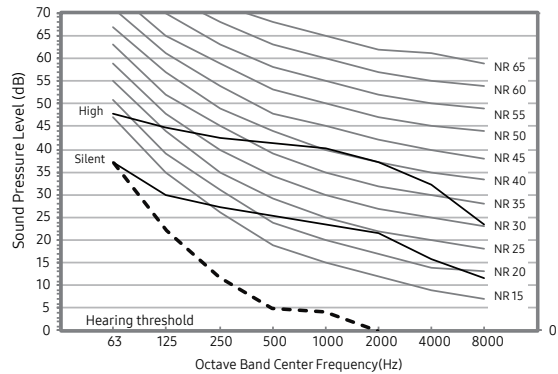
Model	Turbo	Silent
AR18TXFYAWKNEU	41	28
AR24TXFYAWKNEU	45	29

- NR Curve

4) AR18TXFYAWKNEU



5) AR24TXFYAWKNEU



NOTE

- Specifications may be subject to change without prior notice
 - Sound pressure level is obtained in an anechoic room.
 - Sound pressure level is a relative value, depending on the distance and acoustic environment.
 - Sound pressure level may differ depending on operation condition.
 - dBA = A-weighted sound pressure level
 - Reference acoustic pressure 0 dB = 20μPa

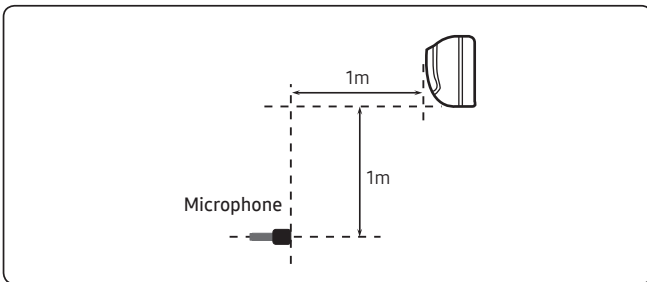
8. Sound Data

Sound Pressure level

8-2. Indoor unit

3 AR9500

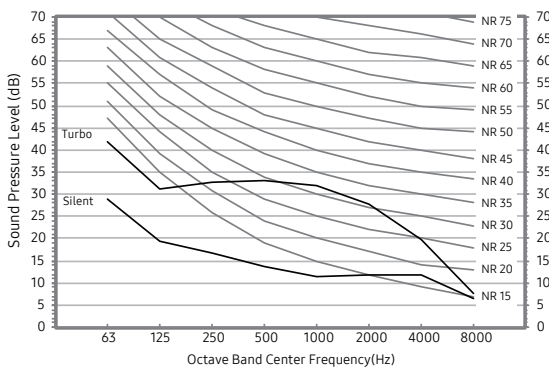
Unit: dB(A)



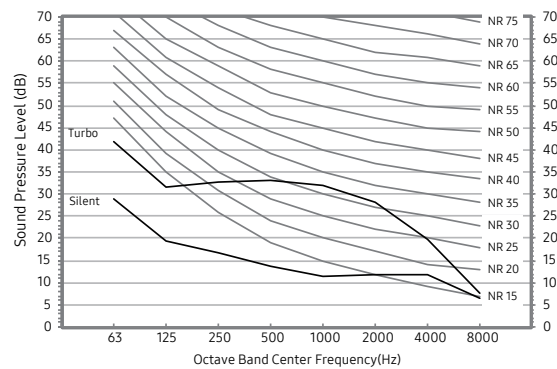
Model	Turbo	Silent
AR07TXFCAWKNEU	36	19
AR09TXFCAWKNEU	37	19
AR12TXFCAWKNEU	38	19

- NR Curve

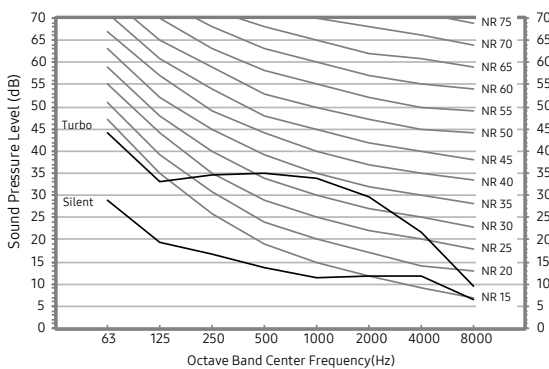
1) AR07TXFCAWKNEU



2) AR09TXFCAWKNEU



3) AR12TXFCAWKNEU



NOTE

- Specifications may be subject to change without prior notice
 - Sound pressure level is obtained in an anechoic room.
 - Sound pressure level is a relative value, depending on the distance and acoustic environment.
 - Sound pressure level may differ depending on operation condition.
 - dBA = A-weighted sound pressure level
 - Reference acoustic pressure 0 dB = 20μPa

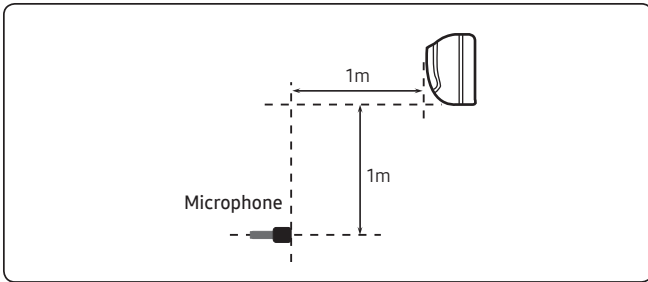
8. Sound Data

Sound Pressure level

8-2. Indoor unit

3 AR9500

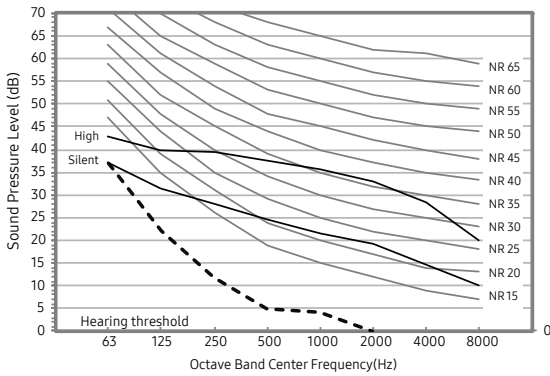
Unit: dB(A)



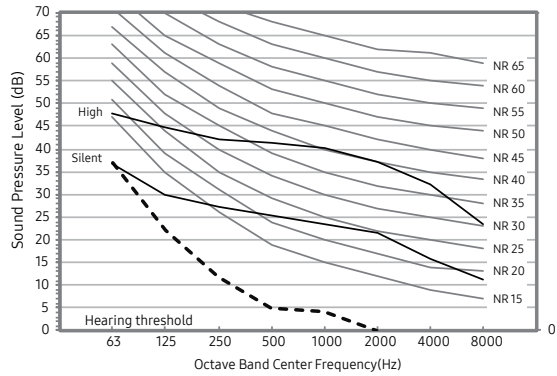
Model	Turbo	Silent
AR18TXFCAWKNEU	41	28
AR24TXFCAWKNEU	45	29

- NR Curve

1) AR18TXFCAWKNEU



2) AR24TXFCAWKNEU



NOTE

- Specifications may be subject to change without prior notice
 - Sound pressure level is obtained in an anechoic room.
 - Sound pressure level is a relative value, depending on the distance and acoustic environment.
 - Sound pressure level may differ depending on operation condition.
 - dBA = A-weighted sound pressure level
 - Reference acoustic pressure 0 dB = 20μPa

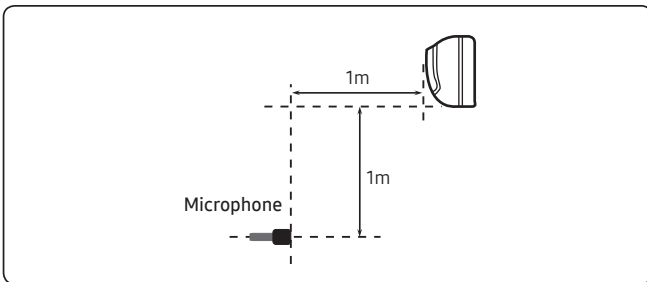
8. Sound Data

Sound Pressure level

8-2. Indoor unit

3 AR9500

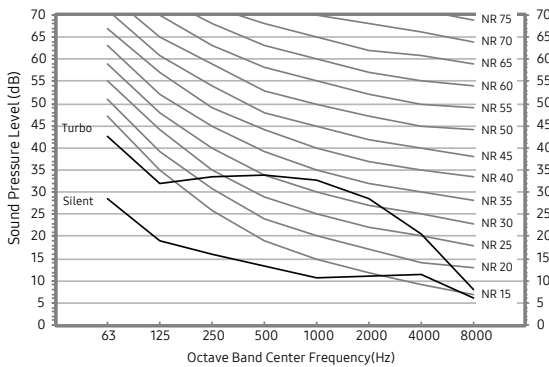
Unit: dB(A)



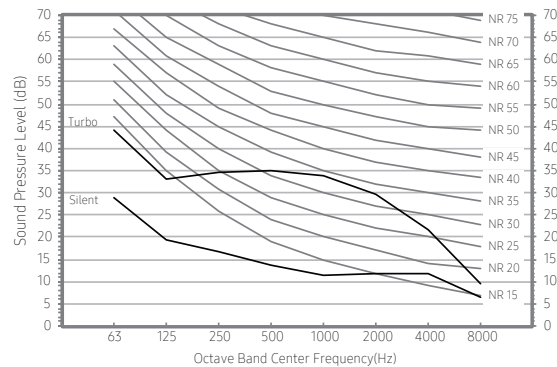
Model	Turbo	Silent
AR07TXEAAWKNEU	37	19
AR09TXEAAWKNEU	38	19
AR12TXEAAWKNEU	40	19

- NR Curve

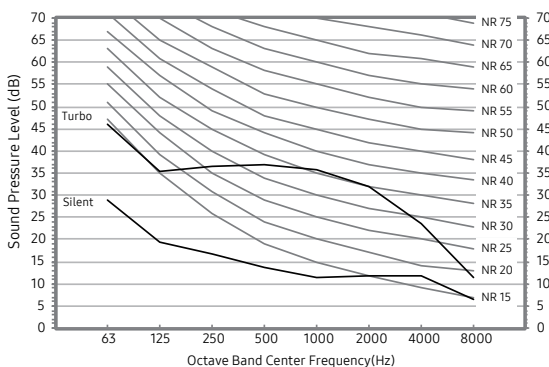
1) AR07TXEAAWKNEU



2) AR09TXEAAWKNEU



3) AR12TXEAAWKNEU



NOTE

- Specifications may be subject to change without prior notice
 - Sound pressure level is obtained in an anechoic room.
 - Sound pressure level is a relative value, depending on the distance and acoustic environment.
 - Sound pressure level may differ depending on operation condition.
 - dB(A) = A-weighted sound pressure level
 - Reference acoustic pressure 0 dB = 20μPa

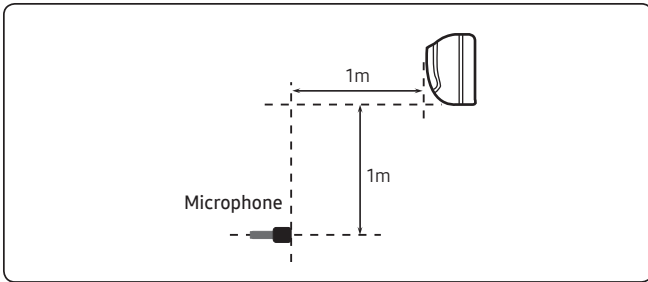
8. Sound Data

Sound Pressure level

8-2. Indoor unit

3 AR9500

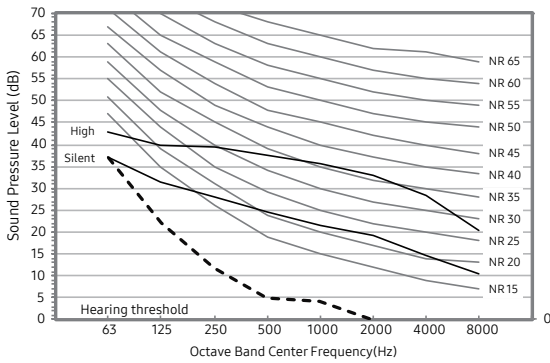
Unit: dB(A)



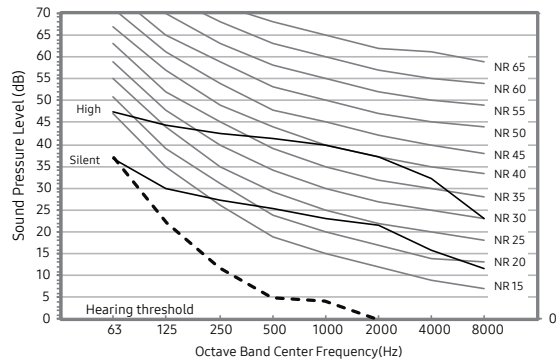
Model	Turbo	Silent
AR18TXEAAWKNEU	41	28
AR24TXEAAWKNEU	45	29

- NR Curve

4) AR18TXEAAWKNEU



5) AR24TXEAAWKNEU



NOTE

- Specifications may be subject to change without prior notice
 - Sound pressure level is obtained in an anechoic room.
 - Sound pressure level is a relative value, depending on the distance and acoustic environment.
 - Sound pressure level may differ depending on operation condition.
 - dBA = A-weighted sound pressure level
 - Reference acoustic pressure 0 dB = 20μPa

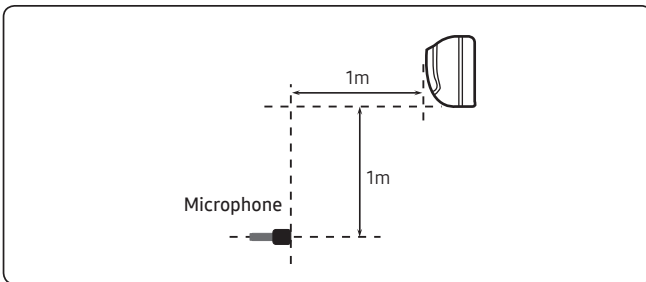
8. Sound Data

Sound Pressure level

8-2. Indoor unit

3 AR9500

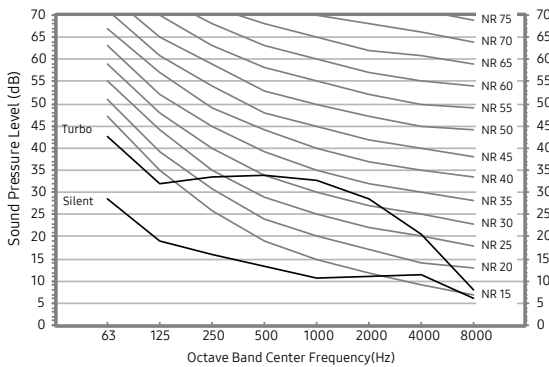
Unit: dB(A)



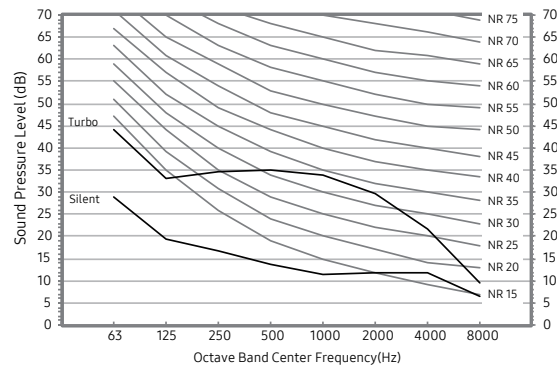
Model	Turbo	Silent
AR07TXCAAWKNEU	37	19
AR09TXCAAWKNEU	38	19
AR12TXCAAWKNEU	40	19

- NR Curve

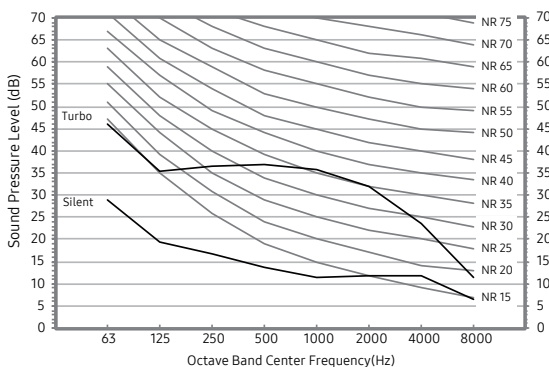
1) AR07TXCAAWKNEU



2) AR09TXCAAWKNEU



3) AR12TXCAAWKNEU



NOTE

- Specifications may be subject to change without prior notice
 - Sound pressure level is obtained in an anechoic room.
 - Sound pressure level is a relative value, depending on the distance and acoustic environment.
 - Sound pressure level may differ depending on operation condition.
 - dB(A) = A-weighted sound pressure level
 - Reference acoustic pressure 0 dB = 20μPa

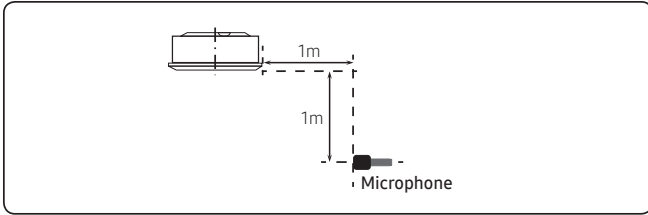
8. Sound Data

Sound Pressure level

8-2. Indoor unit

4 Wind-Free 1 Way CST

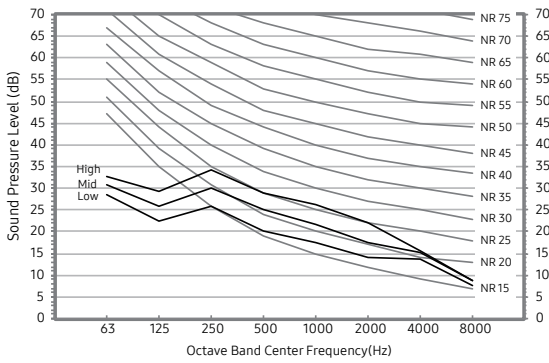
Unit: dB(A)



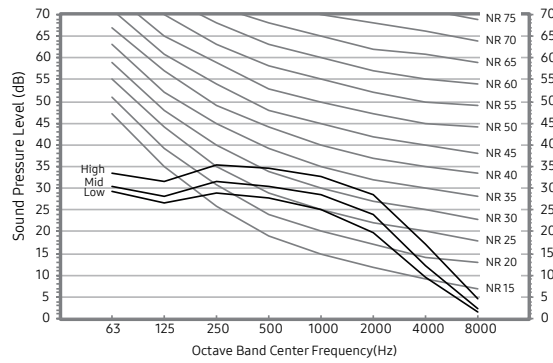
Model	High	Mid	Low
AJ026TN1DKG/EU	32	29	26
AJ035TN1DKG/EU	37	35	30

- NR Curve

1) AJ026TN1DKG/EU



2) AJ035TN1DKG/EU



NOTE

- Specifications may be subject to change without prior notice
 - Sound pressure level is obtained in an anechoic room.
 - Sound pressure level is a relative value, depending on the distance and acoustic environment.
 - Sound pressure level may differ depending on operation condition.
 - dBA = A-weighted sound pressure level
 - Reference acoustic pressure 0 dB = 20μPa

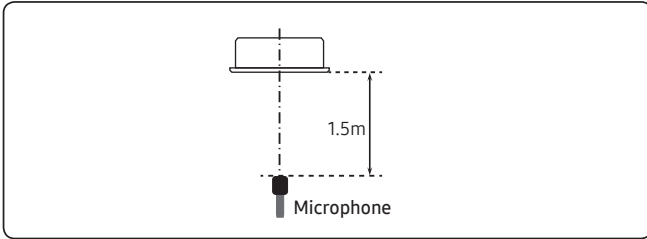
8. Sound Data

Sound Pressure level

8-2. Indoor unit

5 Wind-Free Mini 4Way CST (600 x 600)

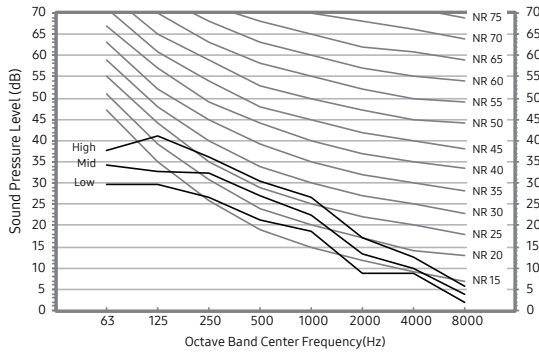
Unit: dB(A)



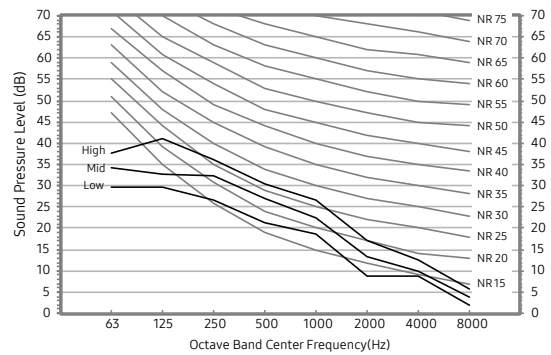
Model	High	Mid	Low
AJ016TNNDKG/EU	33	29	24
AJ020TNNDKG/EU	33	29	24
AJ026TNNDKG/EU	33	29	24
AJ035TNNDKG/EU	35	31	27
AJ052TNNDKG/EU	39	36	32

- NR Curve

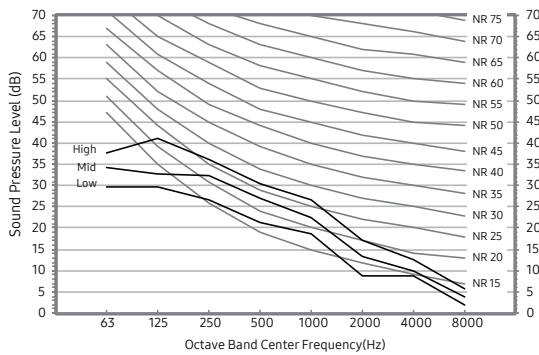
1) AJ016TNNDKG/EU



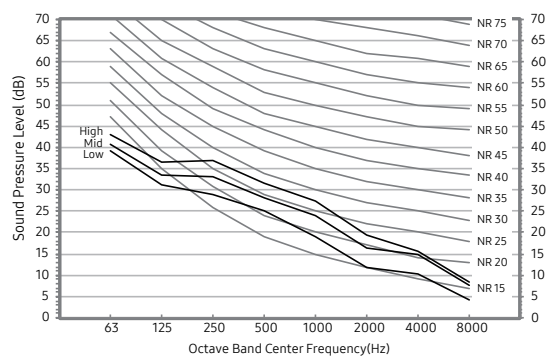
2) AJ020TNNDKG/EU



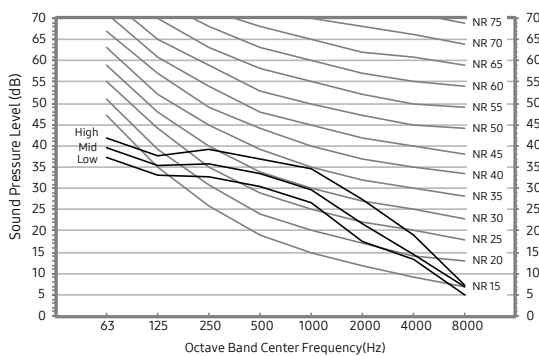
3) AJ026TNNDKG/EU



4) AJ035TNNDKG/EU



5) AJ052TNNDKG/EU



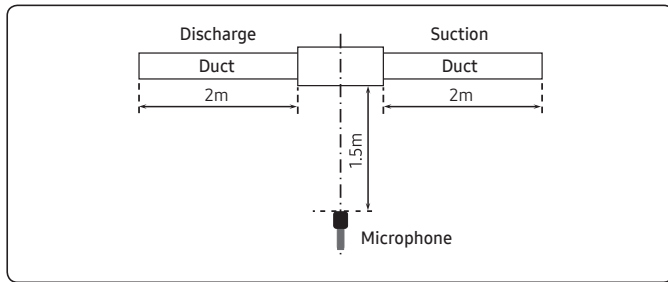
8. Sound Data

Sound Pressure level

8-2. Indoor unit

6 Home duct

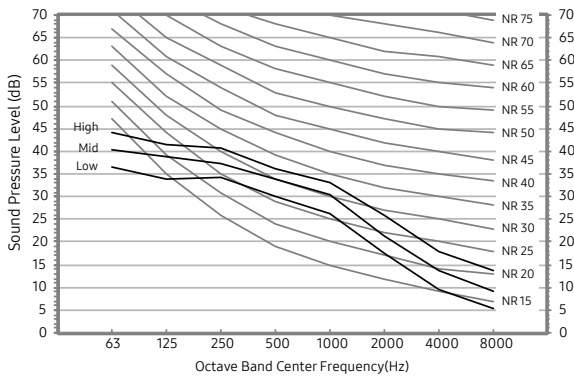
Unit: dB(A)



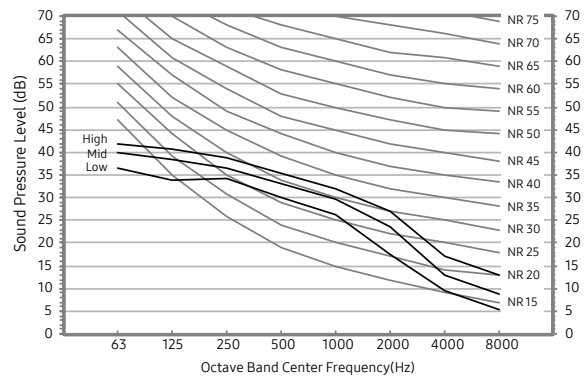
Model	High	Mid	Low
AJ026TNLDEG/EU	33	29	23
AJ035TNLDEG/EU	34	30	25
AJ052TNMDEG/EU	42	41	39

- NR Curve

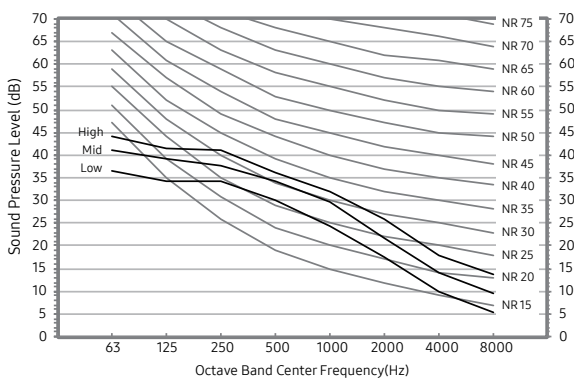
1) AJ026TNLDEG/EU



2) AJ035TNLDEG/EU



3) AJ052TNMDEG/EU



NOTE

- Specifications may be subject to change without prior notice.
 - Sound pressure level is obtained in an anechoic room.
 - Sound pressure level is a relative value, depending on the distance and acoustic environment.
 - Sound pressure level may differ depending on operation condition.
 - dB(A) = A weighted sound pressure level
 - Reference acoustic pressure 0 dB = 20μPa

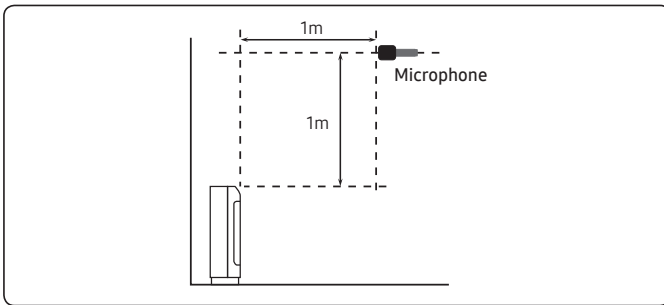
8. Sound Data

Sound Pressure level

8-2. Indoor unit

7 CONSOLE

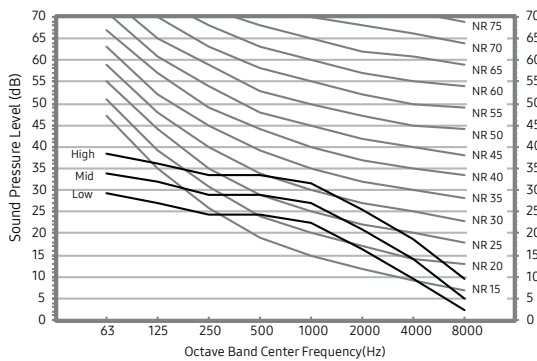
Unit: dB(A)



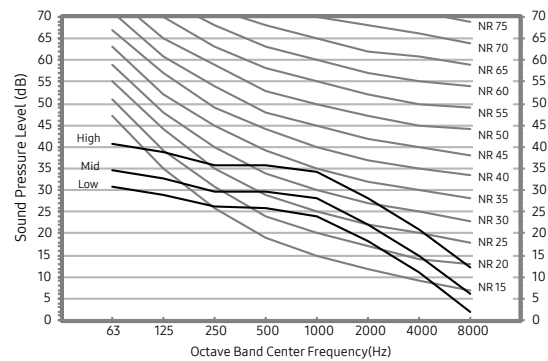
Model	High	Mid	Low
AJ026TNJDKG/EU	36	32	27
AJ035TNJDKG/EU	38	35	30
AJ052TNJDKG/EU	43	39	32

- NR Curve

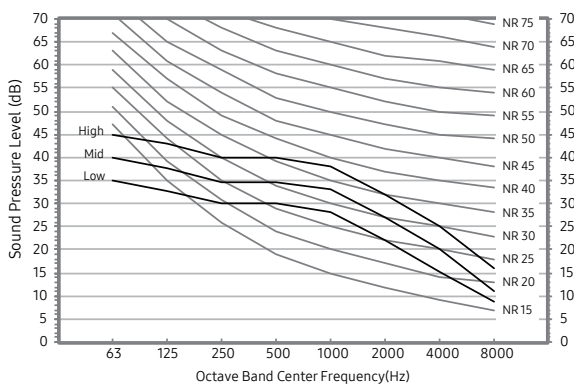
1) AJ026TNJDKG/EU



2) AJ035TNJDKG/EU



3) AJ052TNJDKG/EU



NOTE

- Specifications may be subject to change without prior notice.
 - Sound pressure level is obtained in an anechoic room.
 - Sound pressure level is a relative value, depending on the distance and acoustic environment.
 - Sound pressure level may differ depending on operation condition.
 - dBA = A weighted sound pressure level
 - Reference acoustic pressure 0 dB = 20μPa

8. Sound Data

Sound Power level

8-3. Outdoor unit

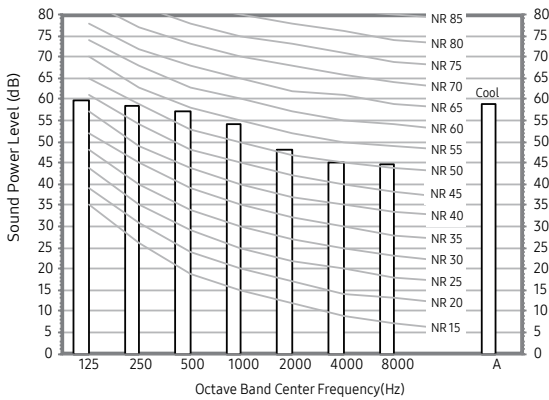
Unit: dB(A)

NOTE

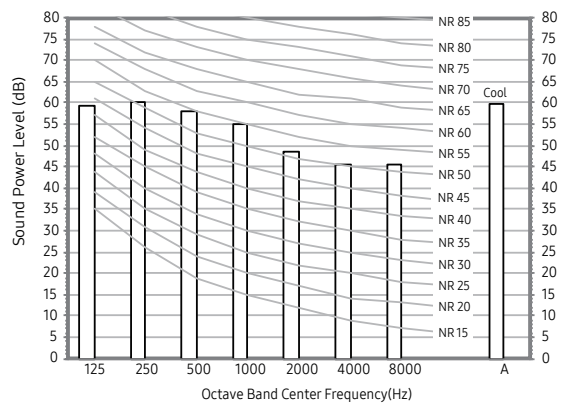
- Specifications may be subject to change without prior notice
 - Sound power level is an absolute value that a sound source generates.
 - dBA = A-weighted sound power level.
 - Reference power : 1pW.
 - Measured according to ISO 3741.

Model	Cooling
AJ040TXJ2KG/EU	60
AJ050TXJ2KG/EU	61
AJ052TXJ3KG/EU	61

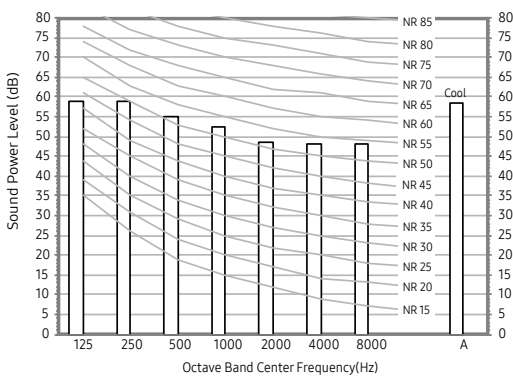
1) AJ040TXJ2KG/EU



2) AJ050TXJ2KG/EU



3) AJ052TXJ3KG/EU



8. Sound Data

Sound Power level

8-3. Outdoor unit

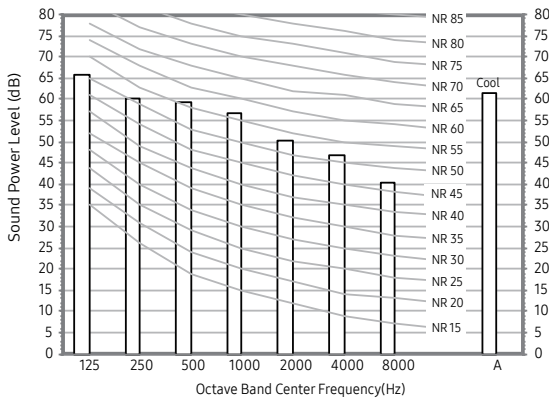
Unit: dB(A)

NOTE

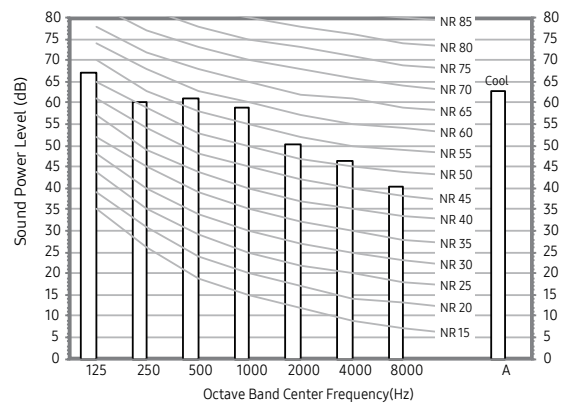
- Specifications may be subject to change without prior notice
 - Sound power level is an absolute value that a sound source generates.
 - dB(A) = A-weighted sound power level.
 - Reference power : 1pW.
 - Measured according to ISO 3741.

Model	Cooling
AJ068TXJ3KG/EU	64
AJ080TXJ4KG/EU	64
AJ100TXJ5KG/EU	70

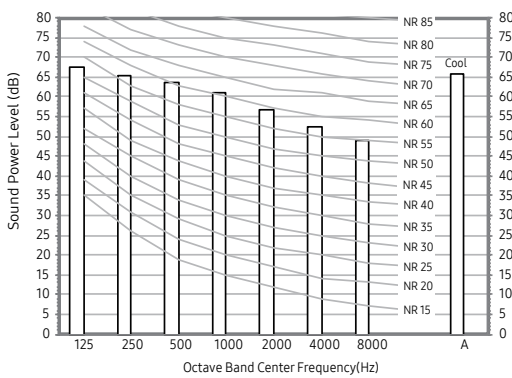
4) AJ068TXJ3KG/EU



5) AJ080TXJ4KG/EU



6) AJ100TXJ5KG/EU



8. Sound Data

Sound Power level

8-4. Indoor unit

1 AR4500

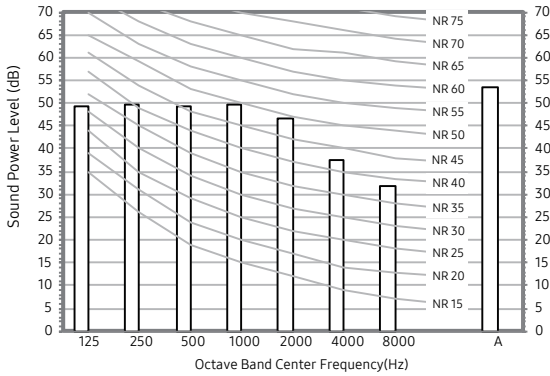
Unit: dB(A)

NOTE

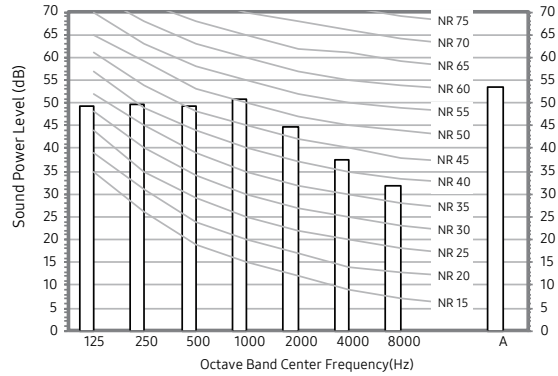
- Specifications may be subject to change without prior notice
 - Sound power level is an absolute value that a sound source generates.
 - dBA = A-weighted sound power level.
 - Reference power : 1pW.
 - Measured according to ISO 3741.

Model	Cooling
AR07TXHZAWKNEU	54
AR09TXHZAWKNEU	54
AR12TXHZAWKNEU	56
AR18TXHZAWKNEU	58
AR24TXHZAWKNEU	62

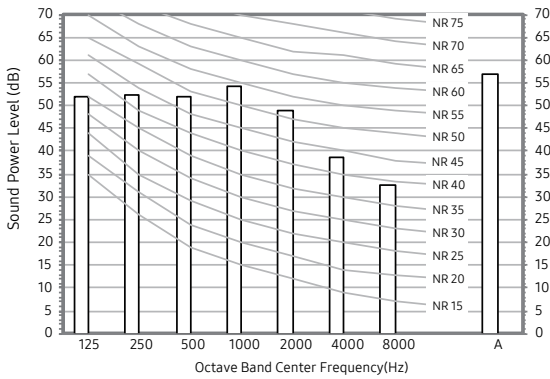
1) AR07TXHZAWKNEU



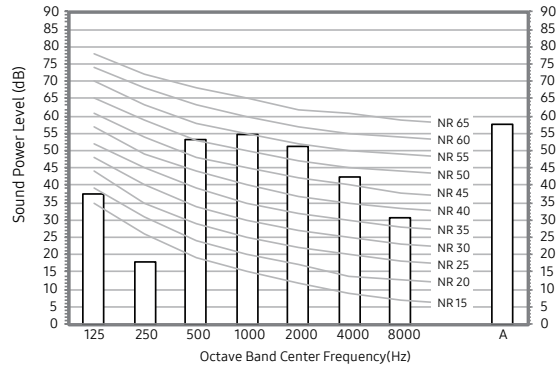
2) AR09TXHZAWKNEU



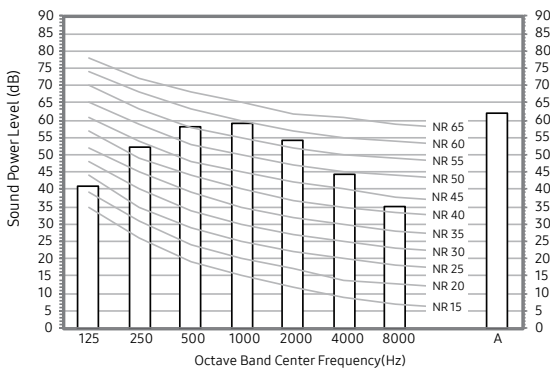
3) AR12TXHZAWKNEU



4) AR18TXHZAWKNEU



5) AR24TXHZAWKNEU



8. Sound Data

Sound Power level

8-4. Indoor unit

2 AR5500

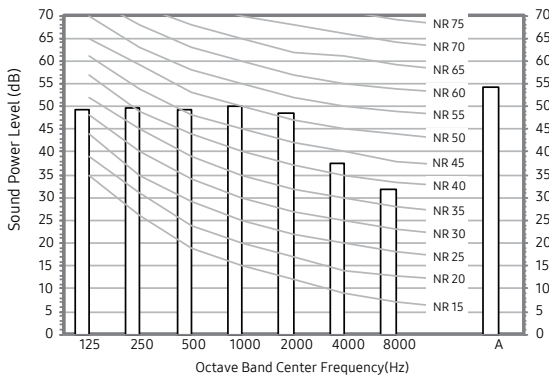
Unit: dB(A)

NOTE

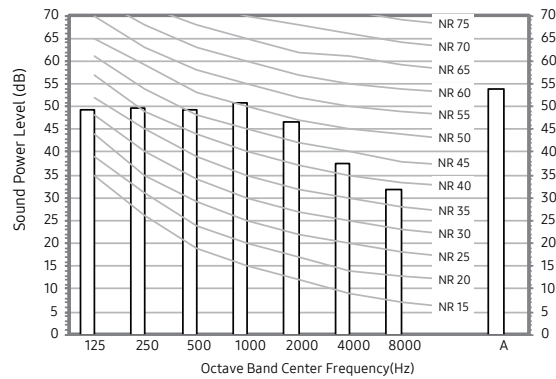
- Specifications may be subject to change without prior notice
 - Sound power level is an absolute value that a sound source generates.
 - dB(A) = A-weighted sound power level.
 - Reference power : 1pW.
 - Measured according to ISO 3741.

Model	Cooling
AR07TXFYAWKNEU	54
AR09TXFYAWKNEU	54
AR12TXFYAWKNEU	56
AR18TXFYAWKNEU	58
AR24TXFYAWKNEU	62

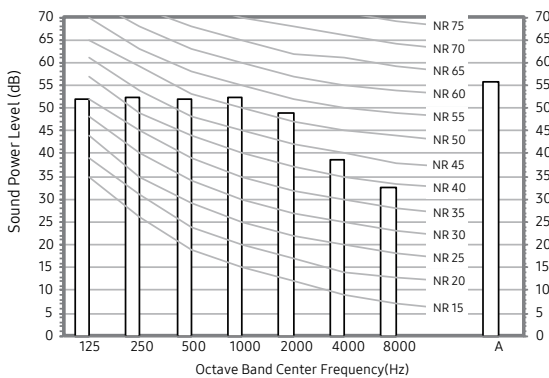
1) AR07TXFYAWKNEU



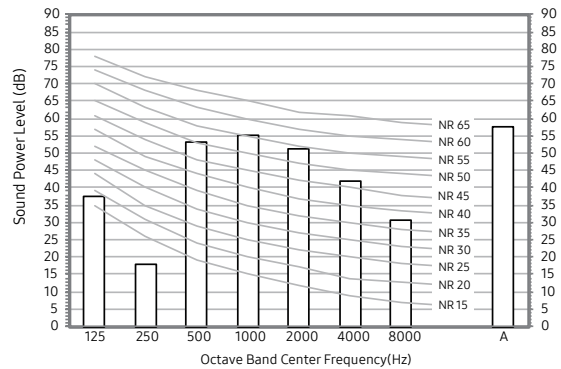
2) AR09TXFYAWKNEU



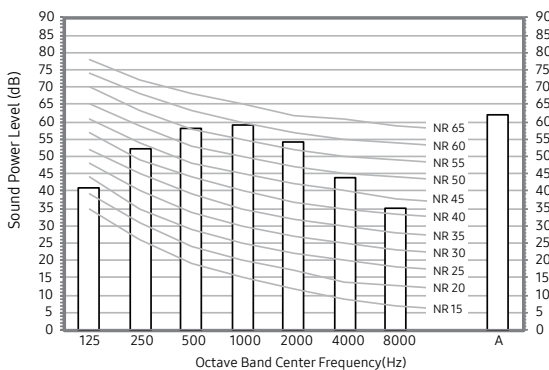
3) AR12TXFYAWKNEU



4) AR18TXFYAWKNEU



5) AR24TXFYAWKNEU



8. Sound Data

Sound Power level

8-4. Indoor unit

3 AR9500

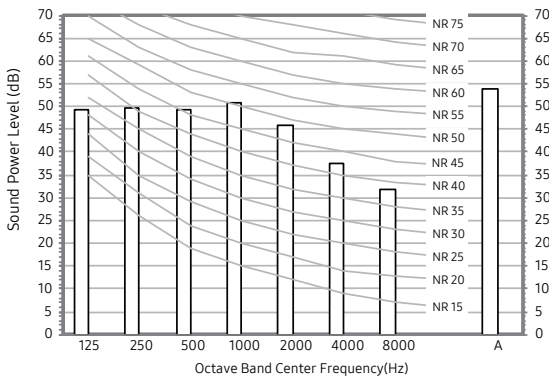
Unit: dB(A)

NOTE

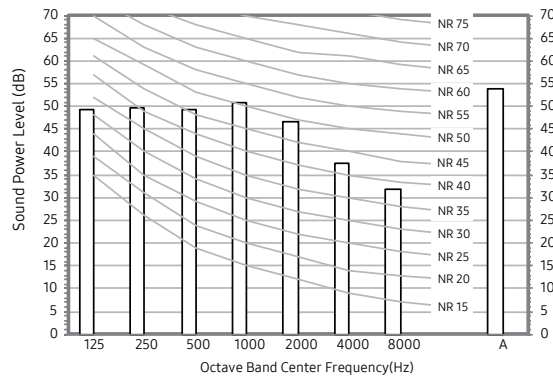
- Specifications may be subject to change without prior notice
 - Sound power level is an absolute value that a sound source generates.
 - dBA = A-weighted sound power level.
 - Reference power : 1pW.
 - Measured according to ISO 3741.

Model	Cooling
AR07TXFCAWKNEU	54
AR09TXFCAWKNEU	54
AR12TXFCAWKNEU	56
AR18TXFCAWKNEU	58
AR24TXFCAWKNEU	62

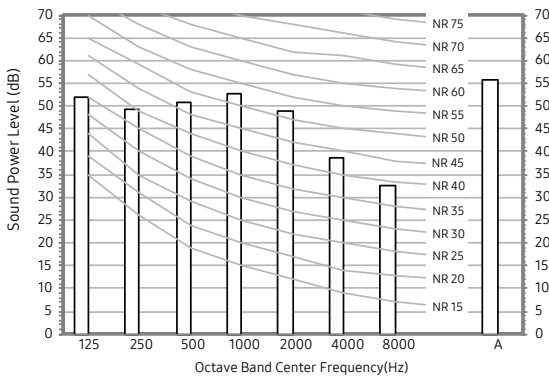
1) AR07TXFCAWKNEU



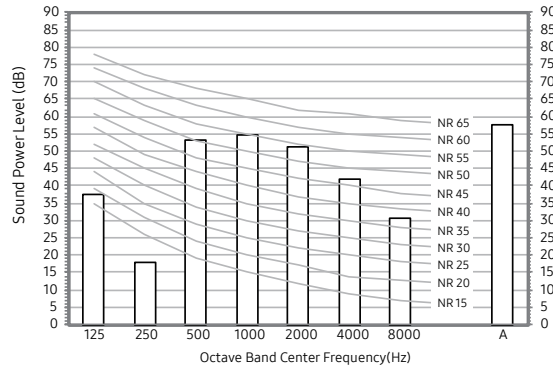
2) AR09TXFCAWKNEU



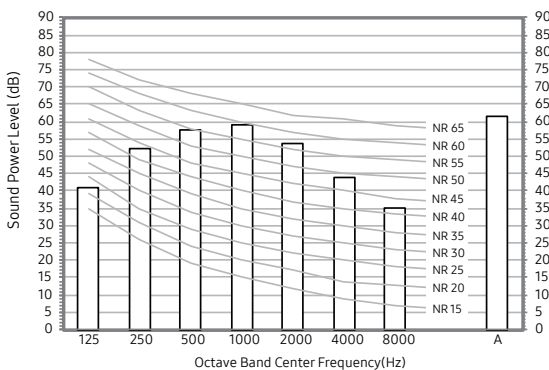
3) AR12TXFCAWKNEU



4) AR18TXFCAWKNEU



5) AR24TXFCAWKNEU



8. Sound Data

Sound Power level

8-4. Indoor unit

3 AR9500

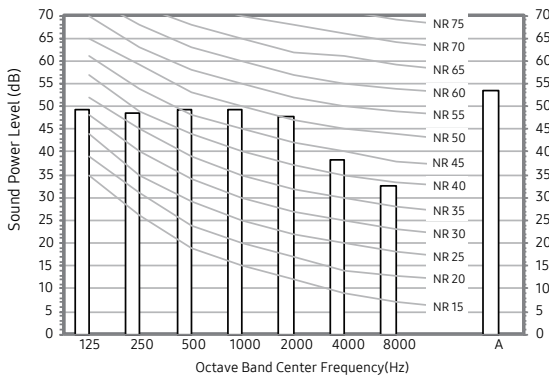
Unit: dB(A)

NOTE

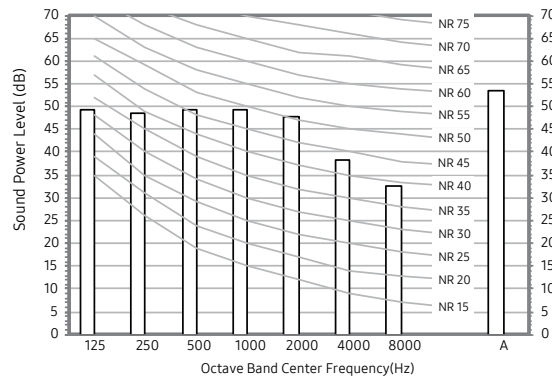
- Specifications may be subject to change without prior notice
 - Sound power level is an absolute value that a sound source generates.
 - dBA = A-weighted sound power level.
 - Reference power : 1pW.
 - Measured according to ISO 3741.

Model	Cooling
AR07TXEAAWKNEU	54
AR09TXEAAWKNEU	54
AR12TXEAAWKNEU	57
AR18TXEAAWKNEU	58
AR24TXEAAWKNEU	62

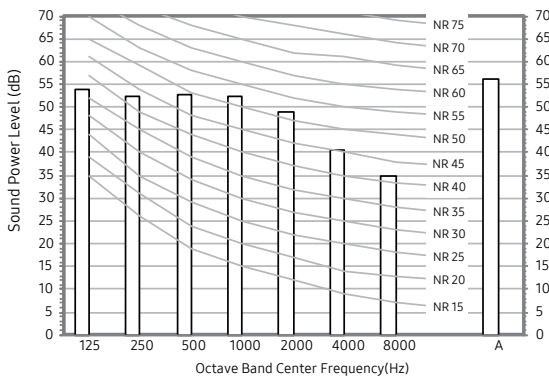
1) AR07TXEAAWKNEU



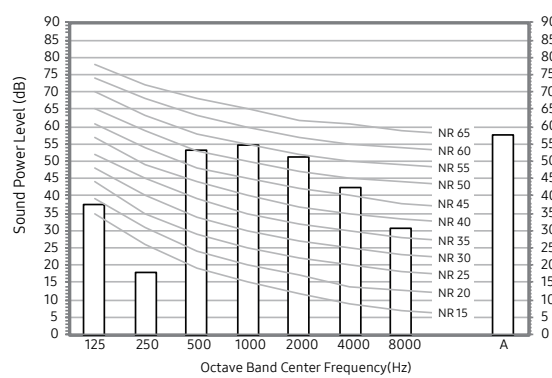
2) AR09TXEAAWKNEU



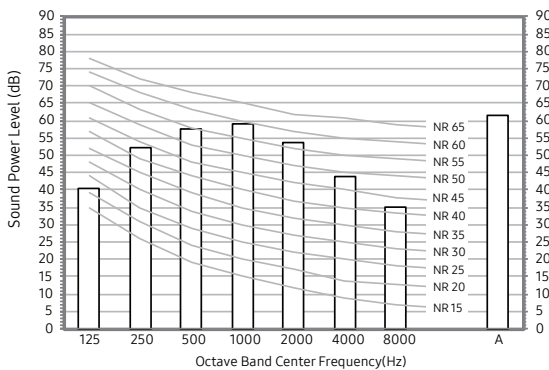
3) AR12TXEAAWKNEU



4) AR18TXEAAWKNEU



5) AR24TXEAAWKNEU



8. Sound Data

Sound Power level

8-4. Indoor unit

3 AR9500

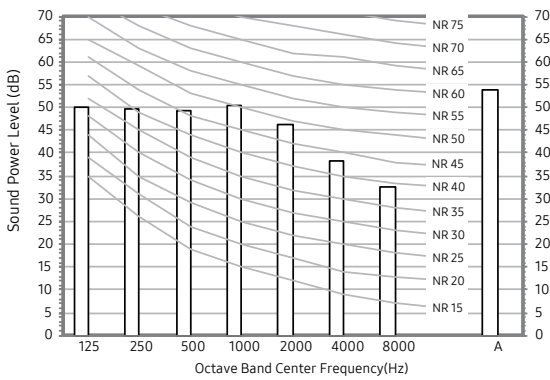
Unit: dB(A)

NOTE

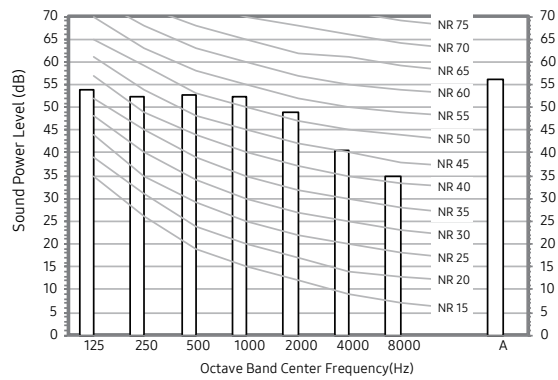
- Specifications may be subject to change without prior notice
 - Sound power level is an absolute value that a sound source generates.
 - dBA = A-weighted sound power level.
 - Reference power : 1pW.
 - Measured according to ISO 3741.

Model	Cooling
AR07TXCAAWKNEU	56
AR09TXCAAWKNEU	56
AR12TXCAAWKNEU	58

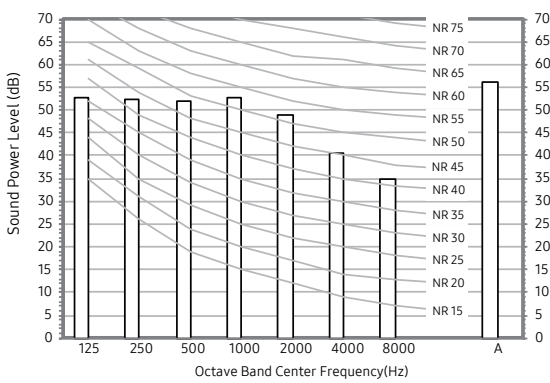
1) AR07TXCAAWKNEU



2) AR09TXCAAWKNEU



3) AR12TXCAAWKNEU



8. Sound Data

Sound Power level

8-4. Indoor unit

4 Wind-Free 1 Way CST

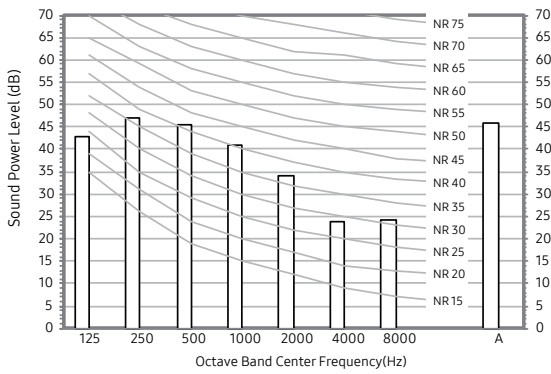
Unit: dB(A)

NOTE

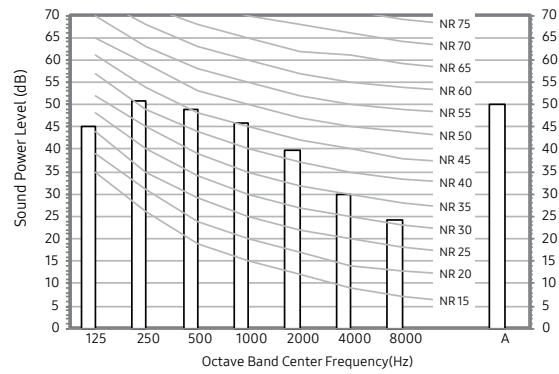
- Specifications may be subject to change without prior notice
 - Sound power level is an absolute value that a sound source generates.
 - dBA = A-weighted sound power level.
 - Reference power : 1pW.
 - Measured according to ISO 3741.

Model	Cooling
AJ026TN1DKG/EU	50
AJ035TN1DKG/EU	55

1) AJ026TN1DKG/EU



2) AJ035TN1DKG/EU



8. Sound Data

Sound Power level

8-4. Indoor unit

5 Wind-Free Mini 4Way CST (600 x 600)

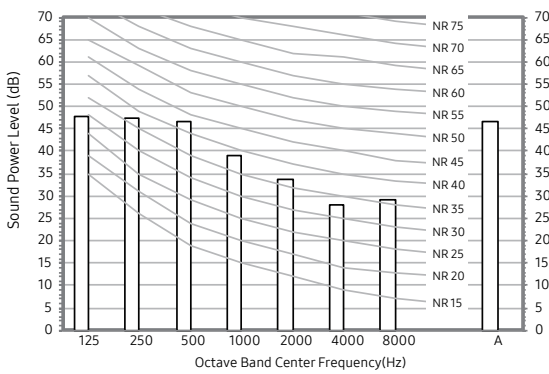
Unit: dB(A)

NOTE

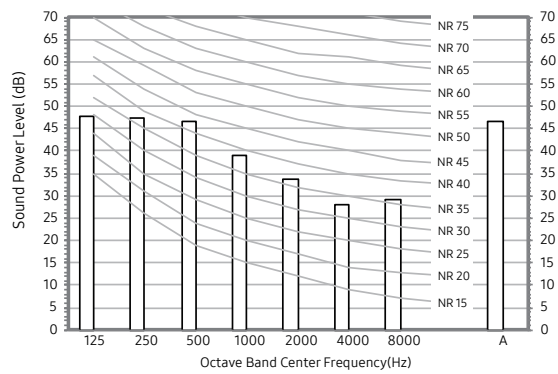
- Specifications may be subject to change without prior notice
 - Sound power level is an absolute value that a sound source generates.
 - dB(A) = A-weighted sound power level.
 - Reference power : 1pW.
 - Measured according to ISO 3741.

Model	Cooling
AJ016TNNDKG/EU	49
AJ020TNNDKG/EU	49
AJ026TNNDKG/EU	49
AJ035TNNDKG/EU	53
AJ052TNNDKG/EU	55

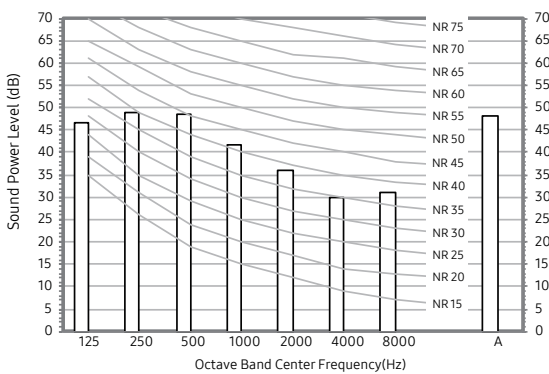
1) AJ016TNNDKG/EU



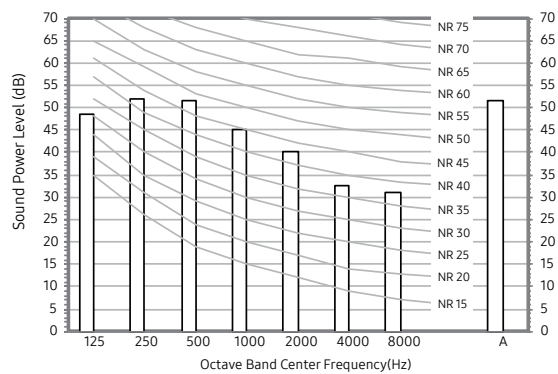
2) AJ020TNNDKG/EU



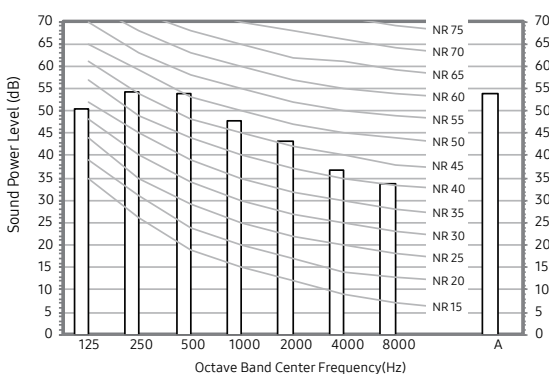
3) AJ026TNNDKG/EU



4) AJ035TNNDKG/EU



5) AJ052TNNDKG/EU



8. Sound Data

Sound Power level

8-4. Indoor unit

6 Home duct

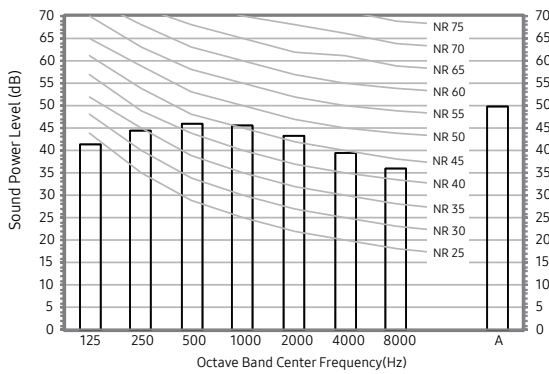
Unit: dB(A)

NOTE

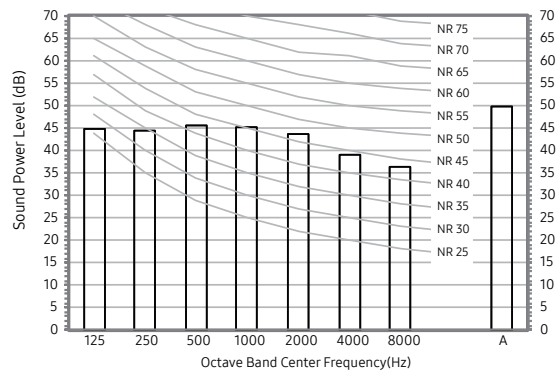
- Specifications may be subject to change without prior notice
 - Sound power level is an absolute value that a sound source generates.
 - dBA = A-weighted sound power level.
 - Reference power : 1pW.
 - Measured according to ISO 3741.

Model	Cooling
AJ026TNLDEG/EU	50
AJ035TNLDEG/EU	50
AJ052TNMDEG/EU	59

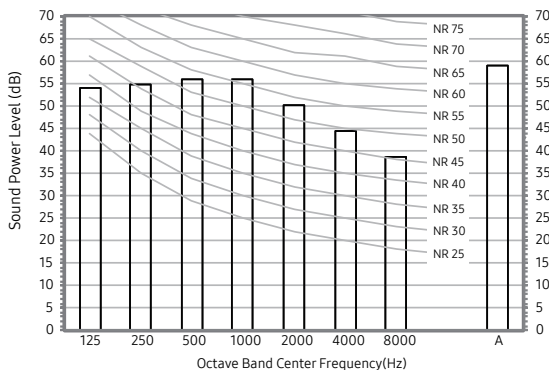
1) AJ026TNLDEG/EU



2) AJ035TNLDEG/EU



3) AJ052TNMDEG/EU



8. Sound Data

Sound Power level

8-4. Indoor unit

7 CONSOLE

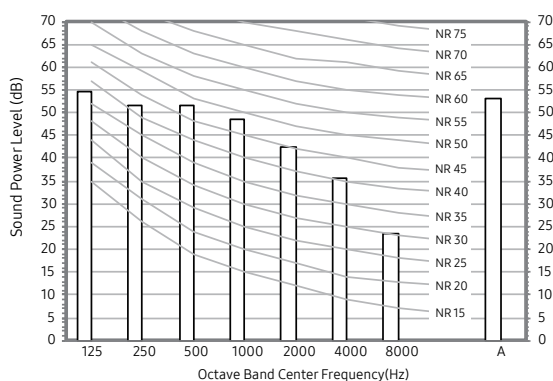
NOTE

- Specifications may be subject to change without prior notice
 - Sound power level is an absolute value that a sound source generates.
 - dBA = A-weighted sound power level.
 - Reference power : 1pW.
 - Measured according to ISO 3741.

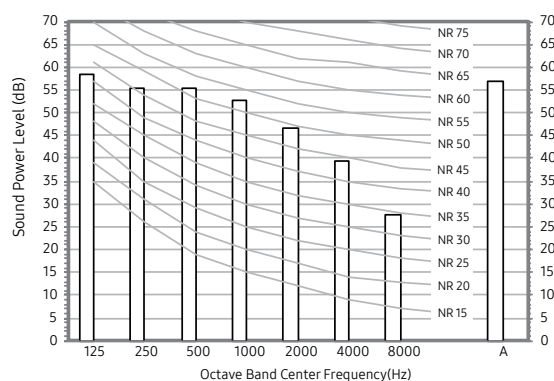
Unit: dB(A)

Model	Cooling
AJ026TNJDKG/EU	53
AJ035TNJDKG/EU	57
AJ052TNJDKG/EU	60

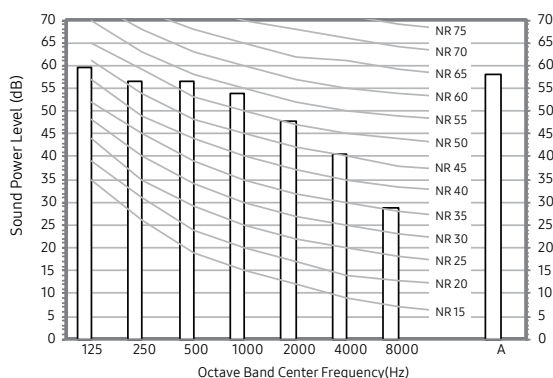
1) AJ026TNJDKG/EU



2) AJ035TNJDKG/EU



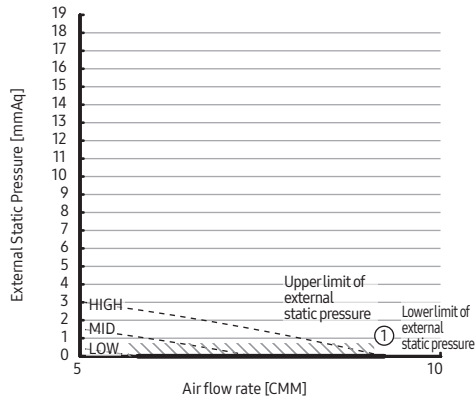
3) AJ052TNJDKG/EU



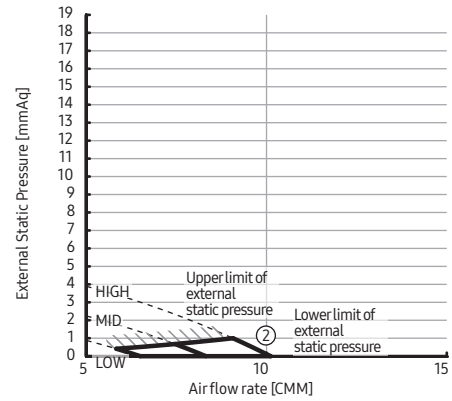
9. Fan Characteristics (PQ curve)

1) AJ026TNLDEG/EU

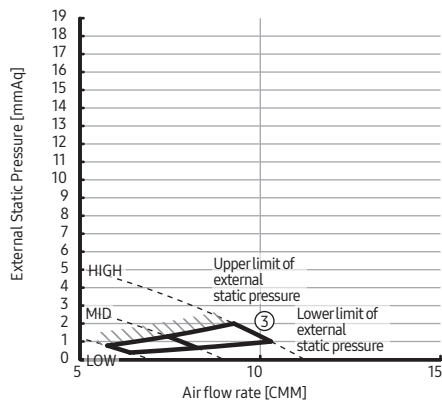
①	External Static Pressure(mmAq)	Option Code
	SP = 0	01017C-1C1456-271A1D-370000



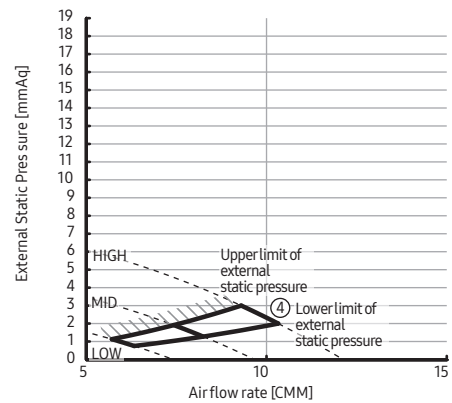
②	External Static Pressure(mmAq)	Option Code
	$0 < SP \leq 1.0$	01017C-1C1479-271A1D-370000



③	External Static Pressure(mmAq)	Option Code
	$1.0 < SP \leq 2.0$	01017C-1C14EB-271A1D-370000



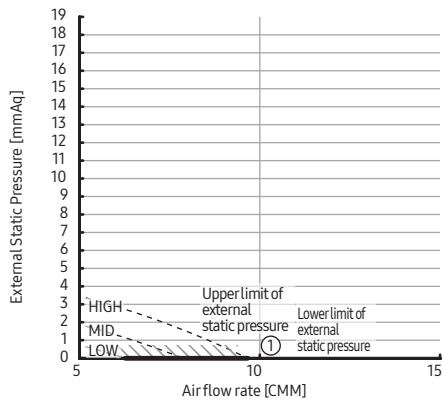
④	External Static Pressure(mmAq)	Option Code
	$2.0 < SP \leq 3.0$	01017C-1C182D-271A1D-370000



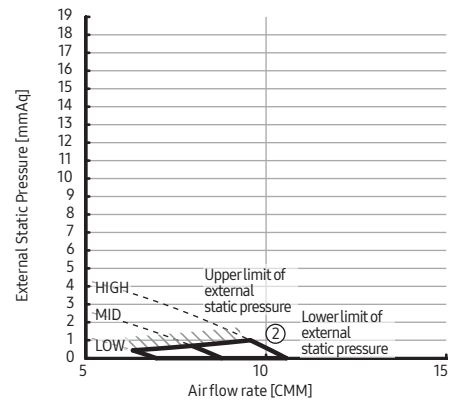
9. Fan Characteristics (PQ curve)

2) AJ035TNLDEG/EU

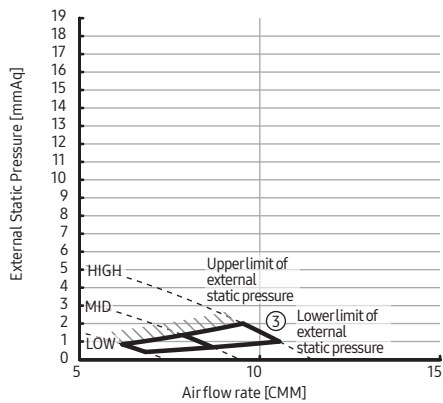
①	External Static Pressure(mmAq)	Option Code
	SP = 0	01017C-1C1479-272326-370000



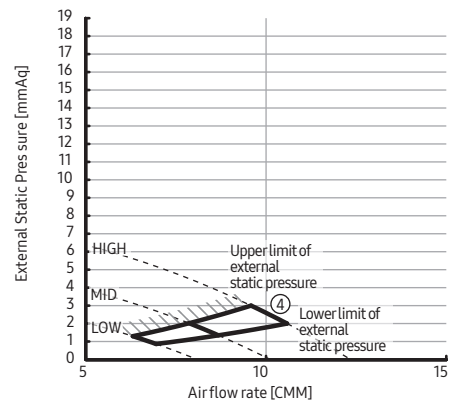
②	External Static Pressure(mmAq)	Option Code
	0 < SP ≤ 1.0	01017C-1C149B-272326-370000



③	External Static Pressure(mmAq)	Option Code
	1.0 < SP ≤ 2.0	01017C-1C14FD-272326-370000



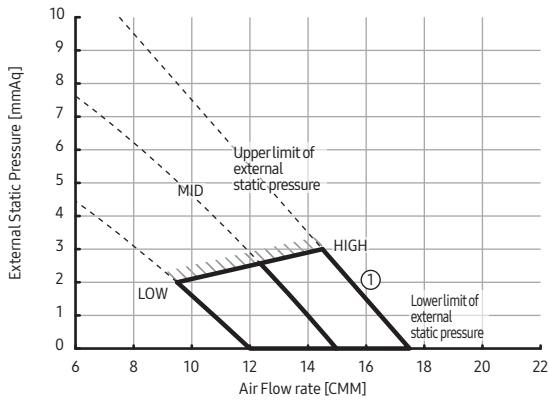
④	External Static Pressure(mmAq)	Option Code
	2.0 < SP ≤ 3.0	01017C-1C1930-272326-370000



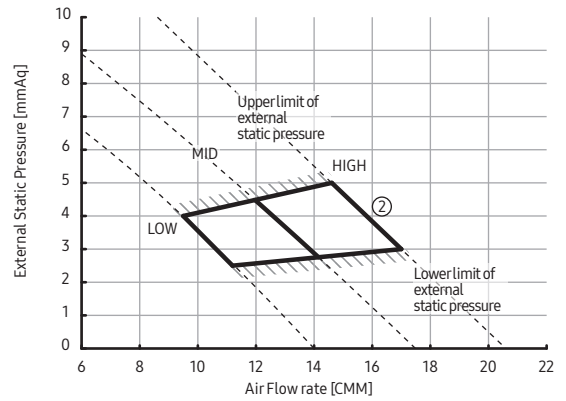
9. Fan Characteristics (PQ curve)

3) AJ052TNMDEG/EU

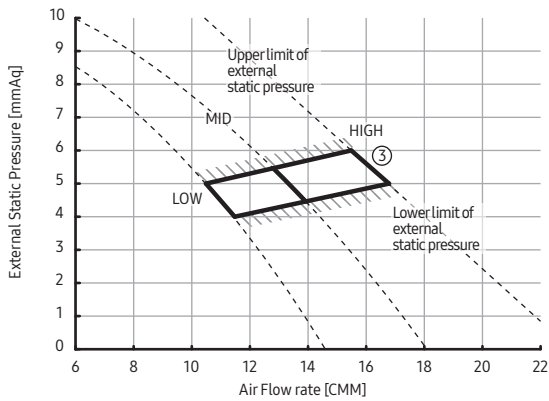
①	External Static Pressure(mmAq)	Option Code
	0 ≤ SP ≤ 3.0	01017C-132560-27343C-370000



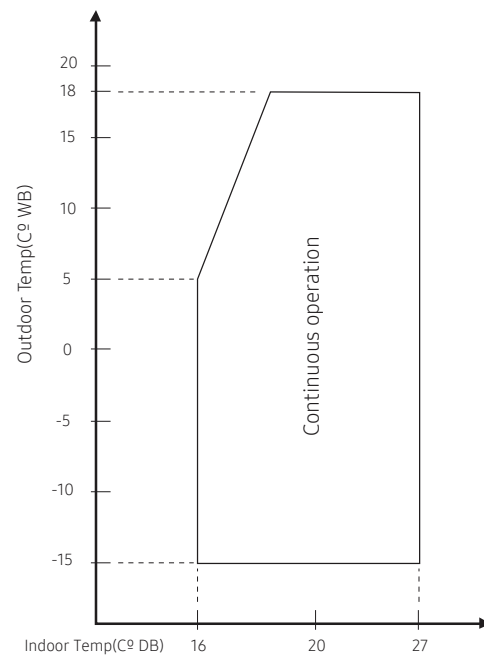
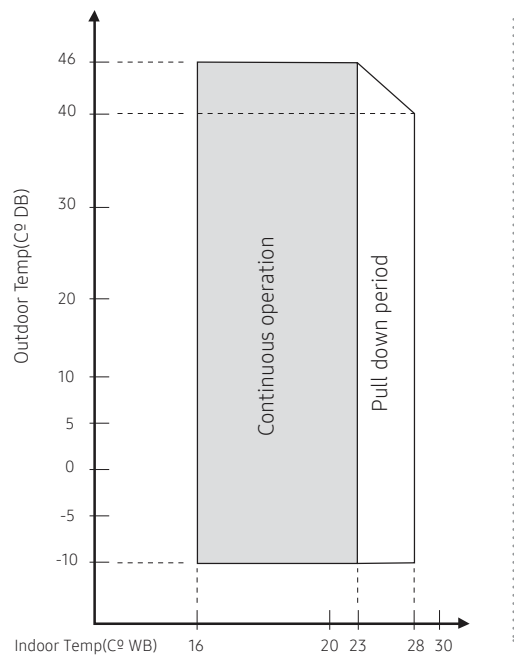
②	External Static Pressure(mmAq)	Option Code
	3 < SP ≤ 5.0 (Default)	01017C-1325A2-27343C-370000



③	External Static Pressure(mmAq)	Option Code
	5 < SP ≤ 6.0	01017C-132905-27343C-370000



10. Operation Range



The graphs are based on the following conditions.

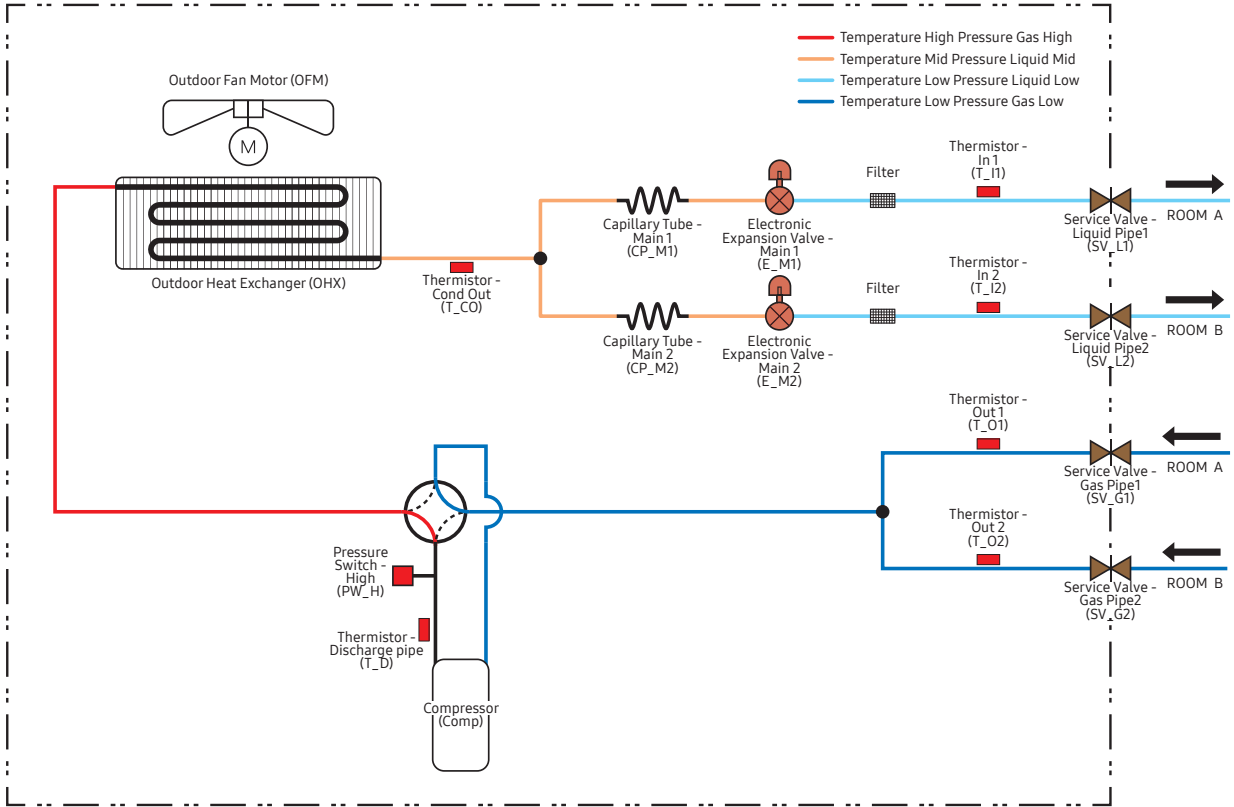
1. Equivalent piping length

2. Level difference 0m 3. Air flow rate High

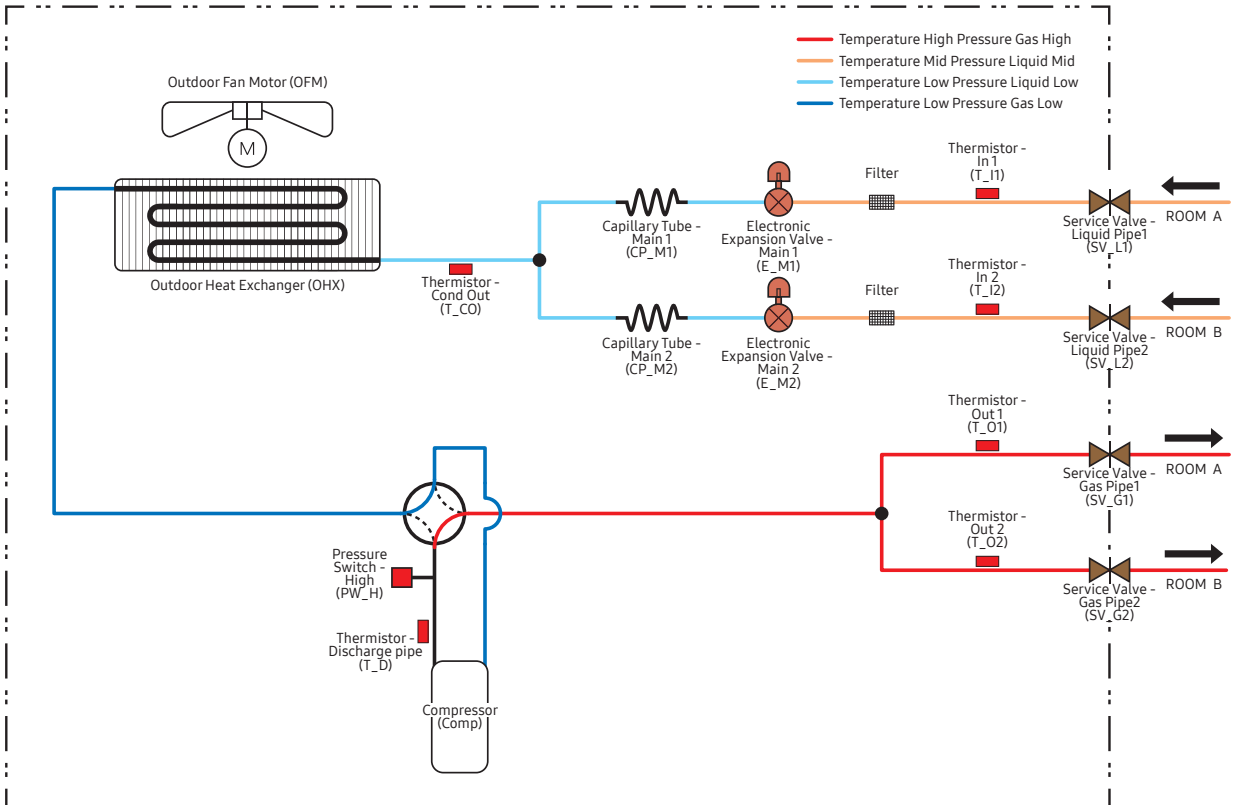
11. Piping Diagram

AJ040TXJ2KG/EU, AJ050TXJ2KG/EU

Cooling System



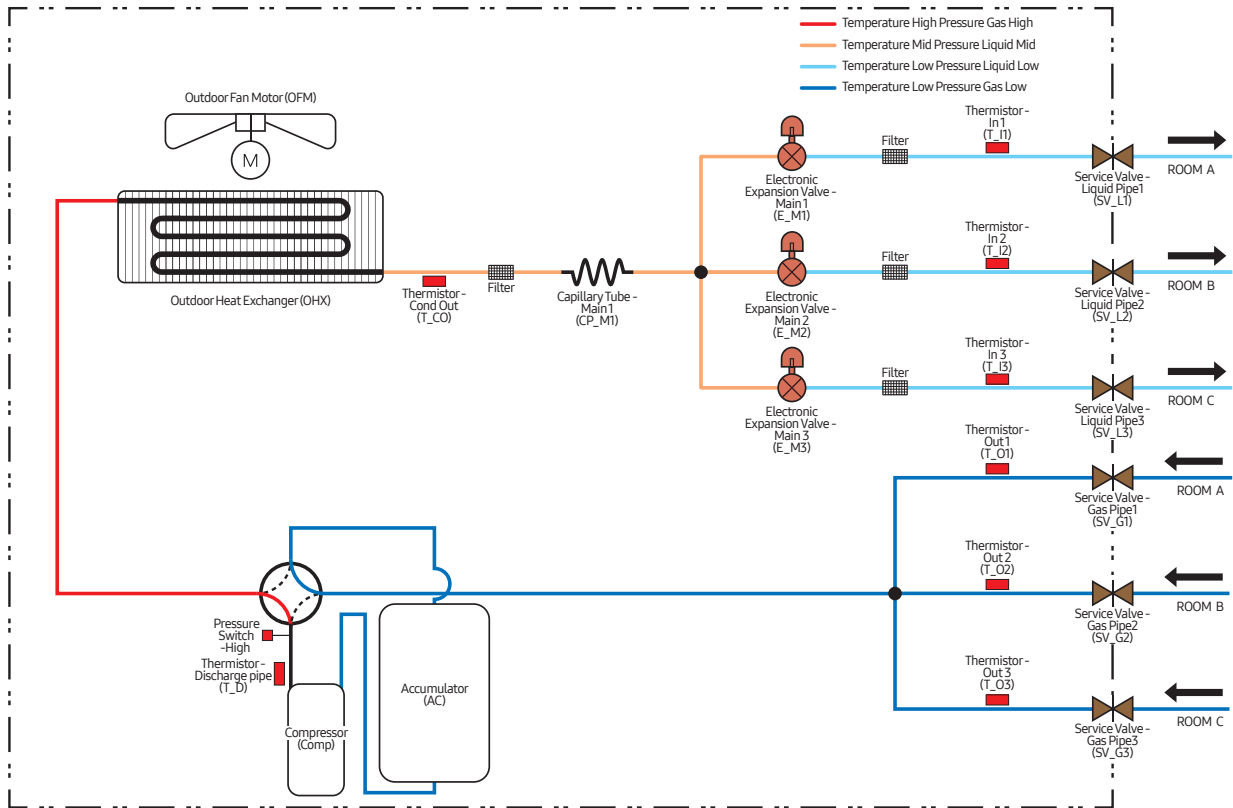
Heating System



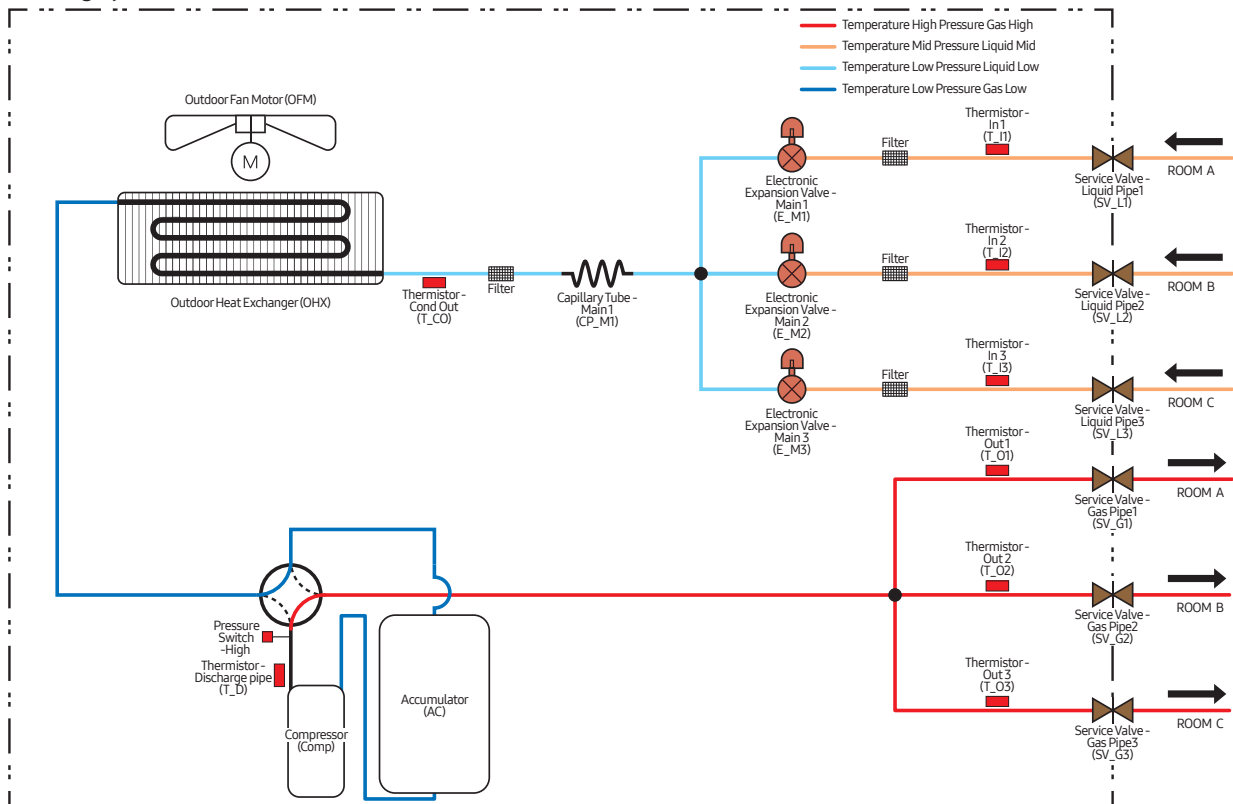
11. Piping Diagram

AJ052TXJ3KG/EU

Cooling System



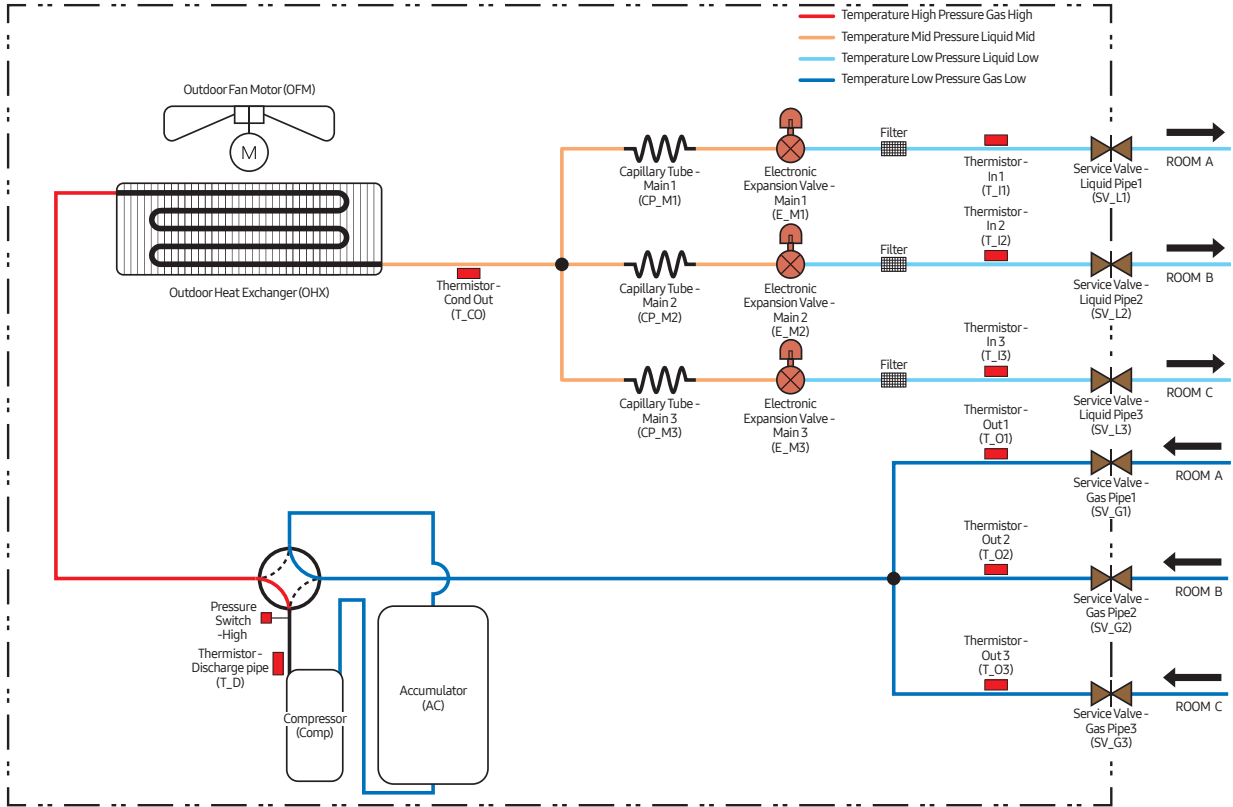
Heating System



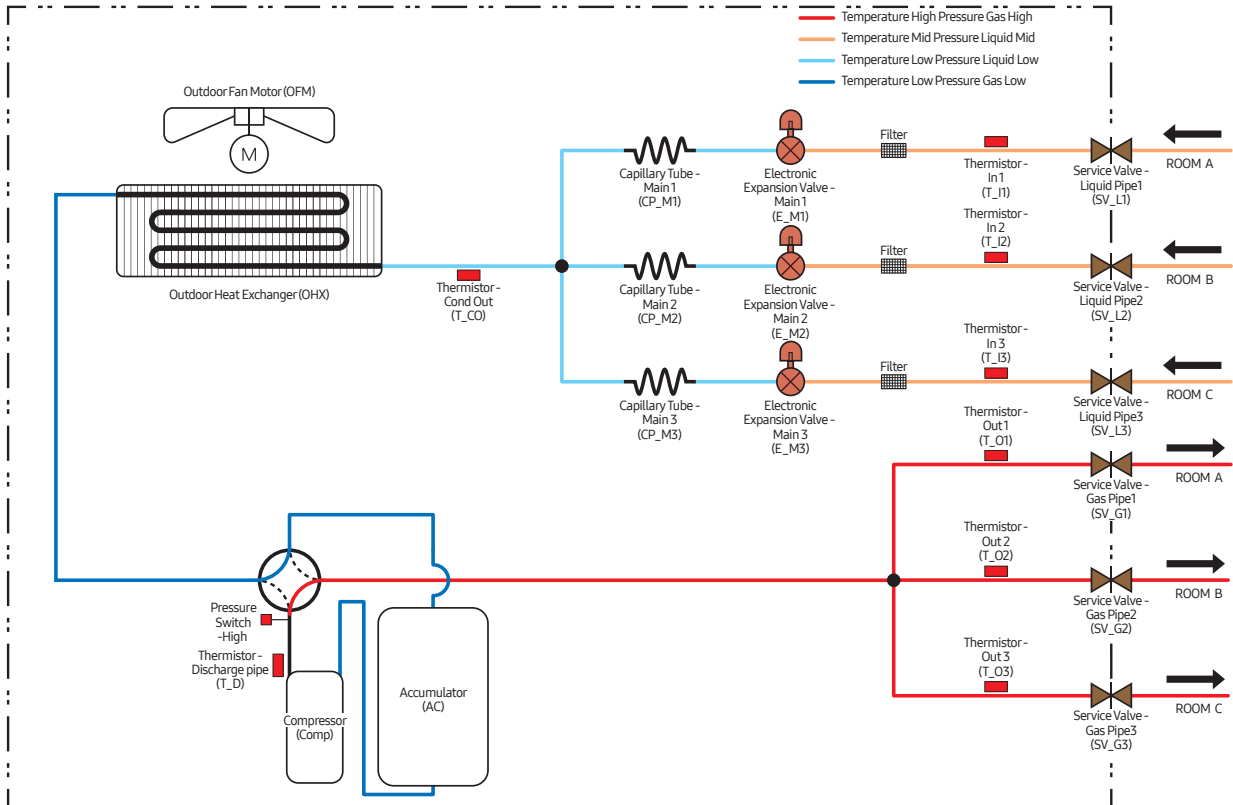
11. Piping Diagram

AJ068TXJ3KG/EU

Cooling System



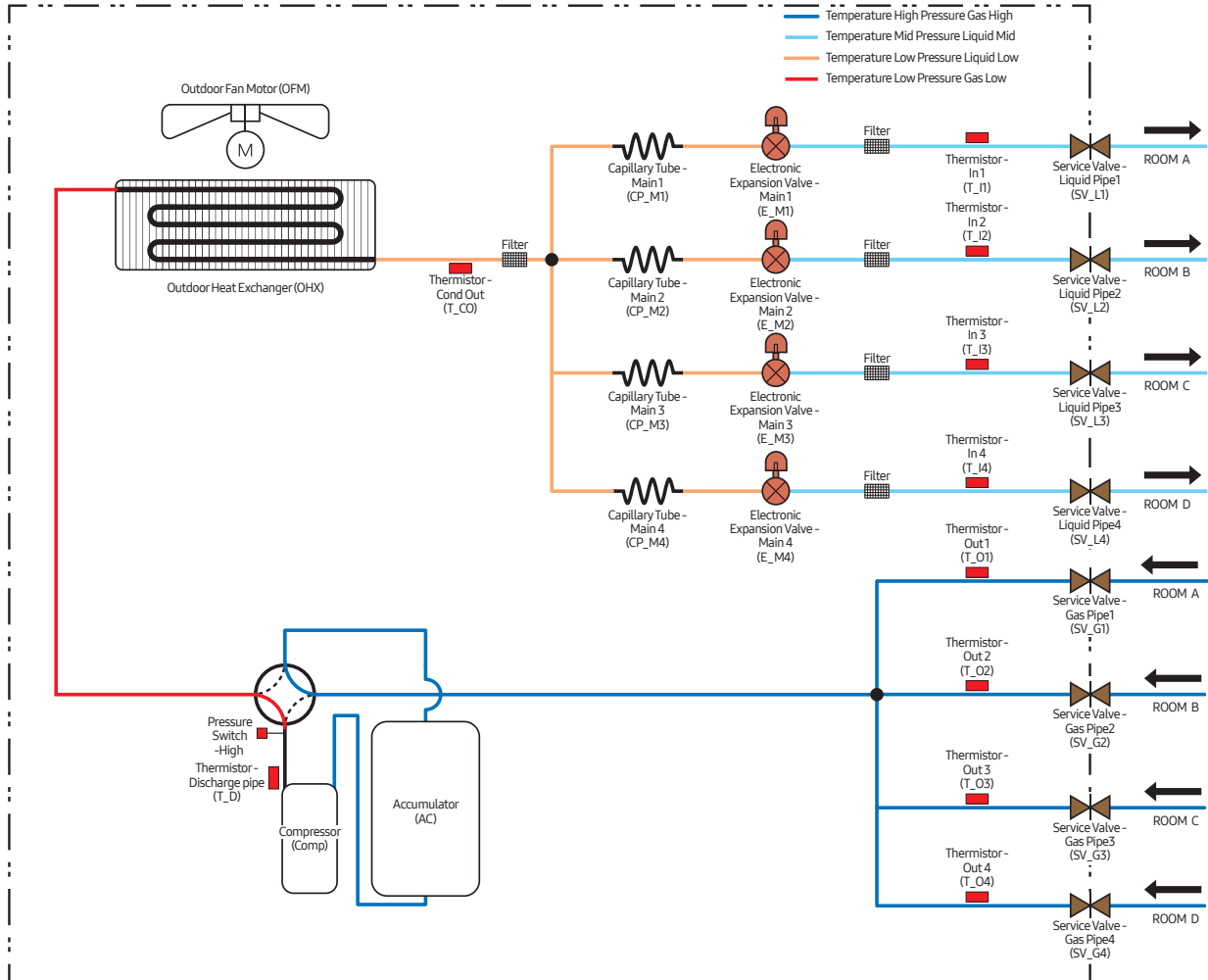
Heating System



11. Piping Diagram

AJ084TXJ4KG/EU

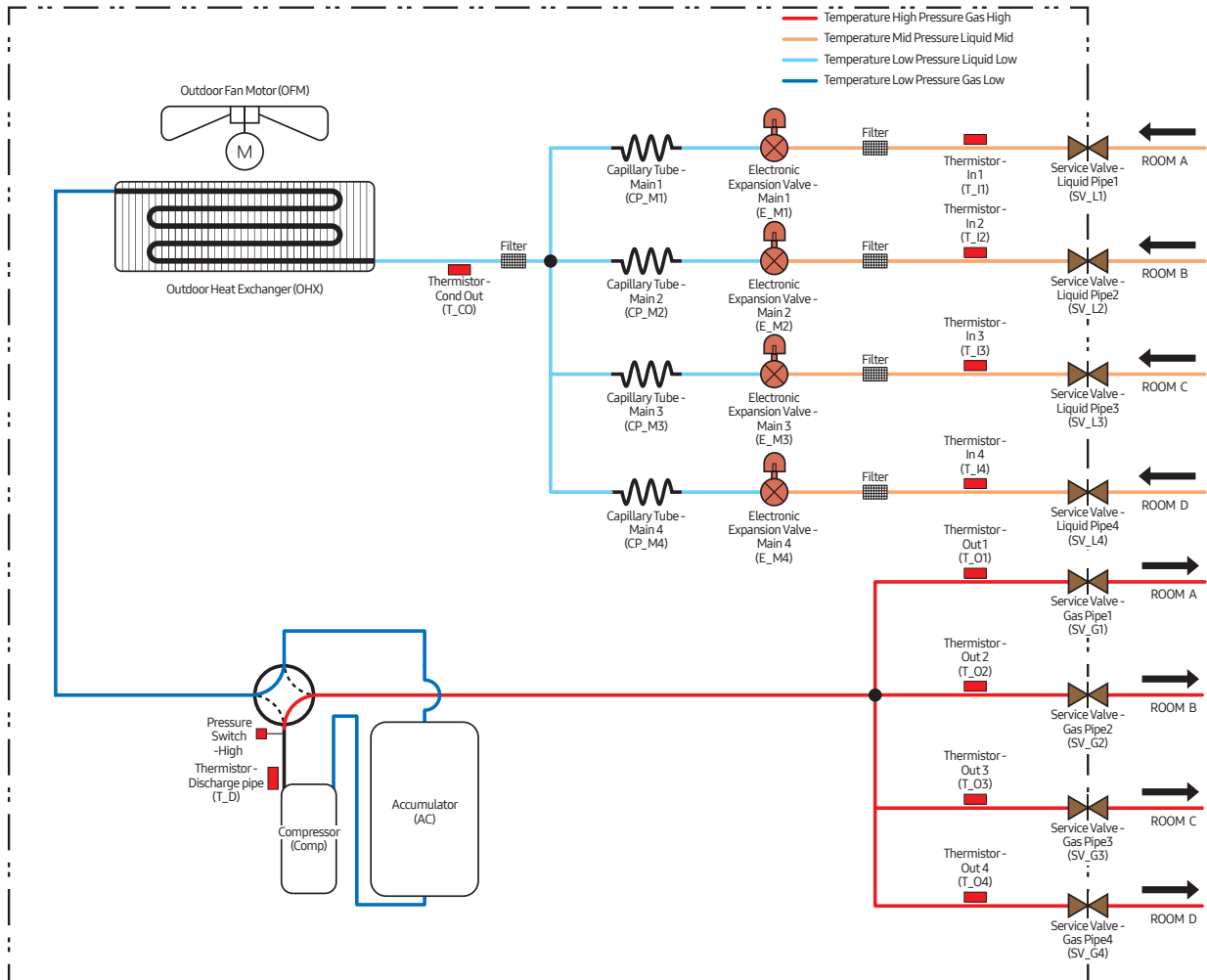
Cooling System



11. Piping Diagram

AJ080TXJ4KG/EU

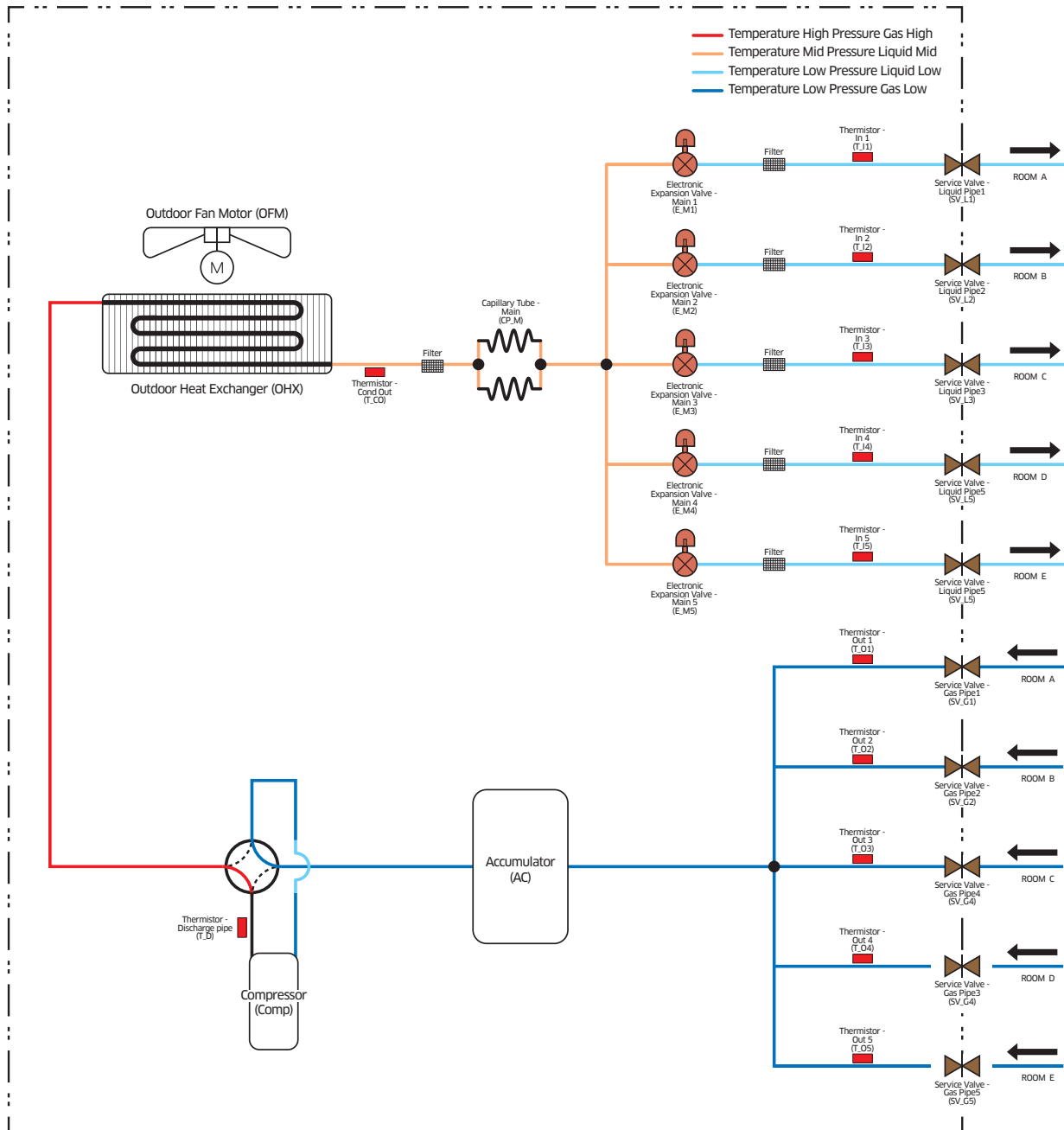
Heating System



11. Piping Diagram

AJ100TXJ5KG/EU

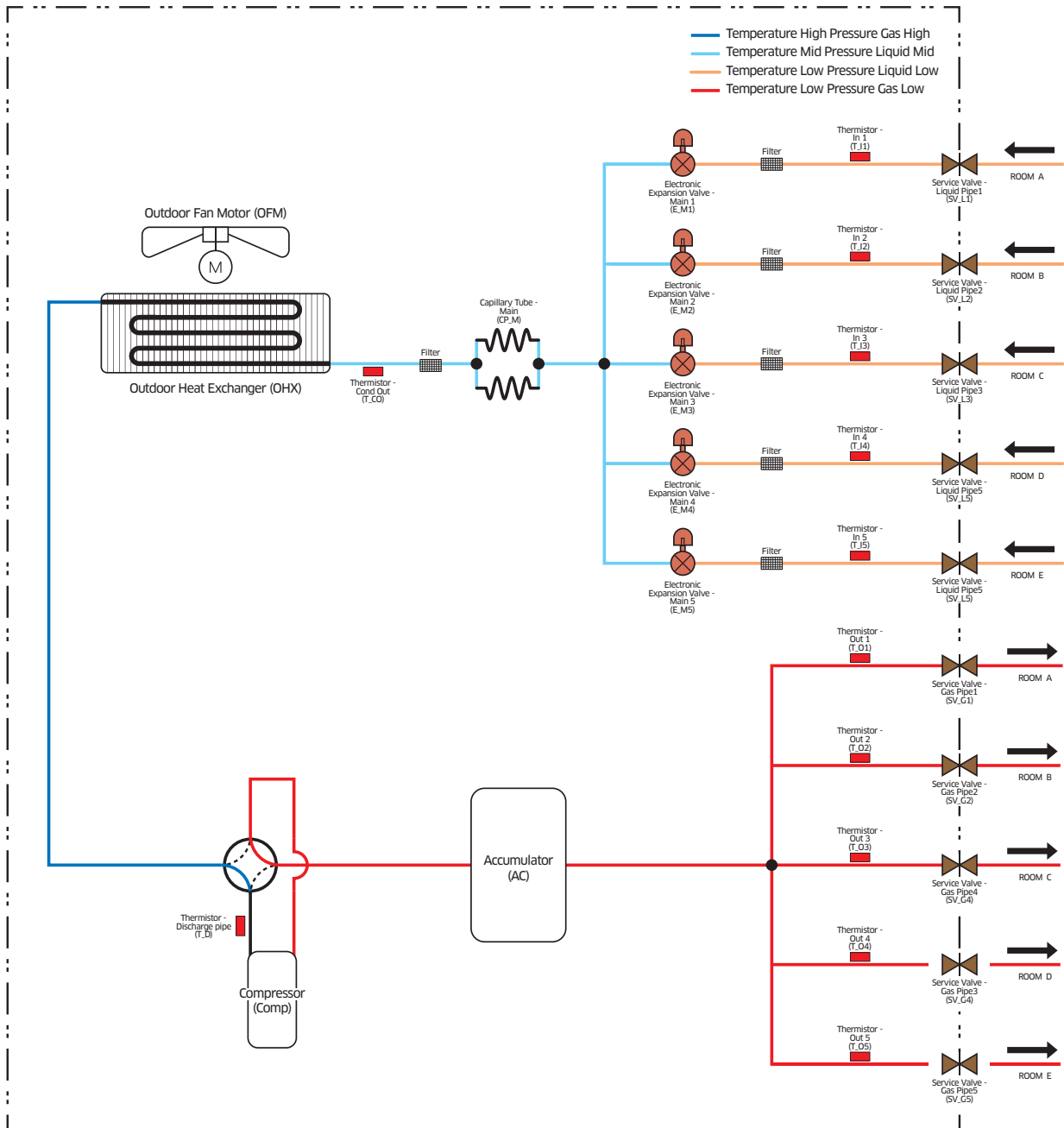
Cooling System



11. Piping Diagram

AJ100TXJ5KG/EU

Heating System



12. Capacity Table

12-1. AJ040TXJ2KG/EU

Cooling

Combination (Capacity Index)				Combination (Total)	Combination (%)	Outdoor Temperature (°C, DB)	Indoor Temperature(°C, WB)													
							14		16		18		19		20		22		24	
							TC(kW)	PI(kW)	TC(kW)	PI(kW)	TC(kW)	PI(kW)	TC(kW)	PI(kW)	TC(kW)	PI(kW)	TC(kW)	PI(kW)	TC(kW)	PI(kW)
2000				2000	50%	10	1.68	0.31	2.43	0.35	2.54	0.38	2.59	0.39	2.64	0.40	2.74	0.42	2.85	0.44
						12	1.68	0.33	2.39	0.36	2.50	0.39	2.55	0.40	2.60	0.41	2.70	0.43	2.81	0.45
						14	1.68	0.34	2.36	0.37	2.46	0.40	2.51	0.41	2.56	0.42	2.66	0.44	2.76	0.45
						16	1.68	0.36	2.32	0.39	2.42	0.41	2.47	0.43	2.52	0.44	2.62	0.45	2.72	0.46
						18	1.68	0.37	2.28	0.40	2.38	0.43	2.43	0.44	2.48	0.45	2.58	0.46	2.68	0.47
						20	1.68	0.39	2.24	0.41	2.34	0.44	2.39	0.45	2.44	0.46	2.54	0.47	2.64	0.48
						21	1.68	0.39	2.22	0.42	2.32	0.45	2.37	0.46	2.42	0.46	2.52	0.48	2.62	0.49
						23	1.68	0.41	2.18	0.44	2.28	0.46	2.33	0.47	2.38	0.48	2.48	0.49	2.58	0.50
						25	1.68	0.42	2.15	0.45	2.24	0.47	2.29	0.48	2.34	0.49	2.44	0.50	2.54	0.51
						27	1.68	0.44	2.11	0.47	2.20	0.49	2.25	0.49	2.30	0.50	2.40	0.51	2.50	0.52
						29	1.68	0.46	2.07	0.48	2.17	0.50	2.21	0.51	2.26	0.51	2.36	0.52	2.46	0.53
						31	1.68	0.47	2.03	0.50	2.13	0.51	2.18	0.52	2.22	0.53	2.32	0.53	2.42	0.54
						33	1.68	0.49	1.99	0.51	2.09	0.53	2.14	0.53	2.19	0.54	2.28	0.55	2.38	0.55
						35	1.68	0.51	1.96	0.53	2.05	0.54	2.10	0.54	2.15	0.55	2.24	0.56	2.34	0.56
						37	1.68	0.52	1.92	0.54	2.01	0.56	2.06	0.56	2.11	0.57	2.20	0.57	2.30	0.57
						39	1.68	0.54	1.88	0.56	1.98	0.57	2.02	0.58	2.07	0.58	2.16	0.58	2.26	0.58
						42	1.66	0.57	1.83	0.58	1.92	0.59	1.97	0.60	2.01	0.60	2.11	0.60	2.20	0.60
						44	1.58	0.58	1.79	0.60	1.88	0.61	1.93	0.61	1.97	0.61	2.07	0.61	2.16	0.61
46	1.53	0.60	1.75	0.62	1.84	0.62	1.89	0.63	1.94	0.63	2.03	0.63	2.12	0.62						
2500				2500	63%	10	2.00	0.43	2.90	0.48	3.02	0.52	3.08	0.54	3.14	0.56	3.26	0.59	3.39	0.61
						12	2.00	0.45	2.85	0.50	2.97	0.54	3.03	0.56	3.09	0.57	3.22	0.60	3.34	0.62
						14	2.00	0.47	2.80	0.52	2.93	0.56	2.99	0.57	3.05	0.59	3.17	0.61	3.29	0.63
						16	2.00	0.49	2.76	0.54	2.88	0.57	2.94	0.59	3.00	0.60	3.12	0.63	3.24	0.64
						18	2.00	0.51	2.71	0.56	2.83	0.59	2.89	0.61	2.95	0.62	3.07	0.64	3.19	0.66
						20	2.00	0.54	2.67	0.58	2.79	0.61	2.85	0.62	2.90	0.64	3.02	0.66	3.14	0.67
						21	2.00	0.55	2.64	0.59	2.76	0.62	2.82	0.63	2.88	0.64	3.00	0.66	3.12	0.67
						23	2.00	0.57	2.60	0.61	2.72	0.64	2.78	0.65	2.83	0.66	2.95	0.68	3.07	0.69
						25	2.00	0.59	2.55	0.63	2.67	0.66	2.73	0.67	2.79	0.68	2.91	0.69	3.02	0.70
						27	2.00	0.61	2.51	0.65	2.62	0.67	2.68	0.69	2.74	0.69	2.86	0.71	2.98	0.72
						29	2.00	0.63	2.46	0.67	2.58	0.69	2.64	0.70	2.69	0.71	2.81	0.72	2.93	0.73
						31	2.00	0.66	2.42	0.69	2.53	0.71	2.59	0.72	2.65	0.73	2.76	0.74	2.88	0.74
						33	2.00	0.68	2.37	0.71	2.49	0.73	2.54	0.74	2.60	0.75	2.72	0.76	2.83	0.76
						35	2.00	0.70	2.33	0.73	2.44	0.75	2.50	0.75	2.56	0.77	2.67	0.77	2.78	0.77
						37	2.00	0.73	2.29	0.75	2.40	0.77	2.45	0.78	2.51	0.79	2.62	0.79	2.74	0.79
						39	2.00	0.75	2.24	0.77	2.35	0.79	2.41	0.80	2.46	0.80	2.58	0.81	2.69	0.81
						42	1.98	0.79	2.18	0.81	2.29	0.82	2.34	0.83	2.40	0.83	2.51	0.83	2.62	0.83
						44	1.88	0.81	2.13	0.83	2.24	0.85	2.30	0.85	2.35	0.85	2.46	0.85	2.57	0.85
46	1.83	0.83	2.09	0.85	2.20	0.87	2.25	0.87	2.30	0.87	2.41	0.87	2.53	0.86						

12. Capacity Table

Combination (Capacity Index)				Combination (Total)	Combination (%)	Outdoor Temperature (°C,DB)	Indoor Temperature(°C, WB)													
							14		16		18		19		20		22		24	
							TC(kW)	PI(kW)	TC(kW)	PI(kW)	TC(kW)	PI(kW)	TC(kW)	PI(kW)	TC(kW)	PI(kW)	TC(kW)	PI(kW)	TC(kW)	PI(kW)
3500				3500	88%	10	2.80	0.61	4.06	0.68	4.23	0.74	4.31	0.77	4.40	0.79	4.57	0.83	4.74	0.86
						12	2.80	0.64	3.99	0.71	4.16	0.76	4.25	0.79	4.33	0.81	4.50	0.85	4.68	0.87
						14	2.80	0.67	3.93	0.73	4.10	0.79	4.18	0.81	4.26	0.83	4.44	0.87	4.61	0.89
						16	2.80	0.70	3.86	0.76	4.03	0.81	4.11	0.83	4.20	0.85	4.37	0.89	4.54	0.91
						18	2.80	0.73	3.80	0.79	3.96	0.84	4.05	0.86	4.13	0.88	4.30	0.91	4.47	0.93
						20	2.80	0.76	3.73	0.81	3.90	0.86	3.98	0.88	4.07	0.90	4.23	0.93	4.40	0.94
						21	2.80	0.77	3.70	0.83	3.87	0.87	3.95	0.89	4.03	0.91	4.20	0.94	4.37	0.95
						23	2.80	0.80	3.64	0.86	3.80	0.90	3.89	0.92	3.97	0.93	4.13	0.96	4.30	0.97
						25	2.80	0.83	3.58	0.88	3.74	0.93	3.82	0.94	3.90	0.96	4.07	0.98	4.23	0.99
						27	2.80	0.86	3.51	0.91	3.67	0.95	3.76	0.97	3.84	0.98	4.00	1.00	4.17	1.01
						29	2.80	0.89	3.45	0.94	3.61	0.98	3.69	0.99	3.77	1.01	3.93	1.02	4.10	1.03
						31	2.80	0.93	3.39	0.97	3.55	1.01	3.63	1.02	3.71	1.03	3.87	1.05	4.03	1.05
						33	2.80	0.96	3.32	1.00	3.48	1.03	3.56	1.05	3.64	1.06	3.80	1.07	3.97	1.07
						35	2.80	0.99	3.26	1.03	3.42	1.06	3.50	1.06	3.58	1.08	3.74	1.09	3.90	1.09
						37	2.80	1.03	3.20	1.06	3.36	1.09	3.43	1.10	3.51	1.11	3.67	1.12	3.83	1.12
						39	2.80	1.06	3.14	1.09	3.29	1.12	3.37	1.13	3.45	1.14	3.61	1.14	3.77	1.14
						42	2.77	1.11	3.05	1.14	3.20	1.17	3.28	1.17	3.35	1.18	3.51	1.18	3.67	1.17
44	2.63	1.14	2.98	1.18	3.14	1.20	3.21	1.20	3.29	1.21	3.45	1.21	3.60	1.20						
46	2.56	1.18	2.92	1.21	3.07	1.23	3.15	1.23	3.23	1.23	3.38	1.23	3.54	1.22						
2000	2000			4000	100%	10	3.53	0.63	4.99	0.65	5.08	0.66	5.14	0.67	5.20	0.68	5.35	0.69	5.52	0.71
						12	3.53	0.65	4.85	0.66	4.95	0.68	5.01	0.69	5.08	0.69	5.23	0.71	5.41	0.72
						14	3.53	0.66	4.72	0.68	4.83	0.70	4.89	0.70	4.96	0.71	5.12	0.72	5.31	0.74
						16	3.53	0.68	4.60	0.70	4.71	0.71	4.78	0.72	4.85	0.73	5.02	0.74	5.21	0.76
						18	3.53	0.70	4.48	0.71	4.60	0.73	4.67	0.74	4.75	0.74	4.92	0.76	5.12	0.77
						20	3.53	0.72	4.36	0.73	4.49	0.75	4.57	0.75	4.65	0.76	4.83	0.78	5.03	0.79
						21	3.53	0.73	4.31	0.74	4.44	0.76	4.52	0.76	4.60	0.77	4.78	0.78	4.99	0.80
						23	3.53	0.74	4.20	0.76	4.34	0.77	4.42	0.78	4.51	0.79	4.70	0.80	4.91	0.82
						25	3.53	0.76	4.10	0.78	4.25	0.79	4.33	0.80	4.42	0.81	4.62	0.82	4.84	0.84
						27	3.53	0.78	4.01	0.80	4.16	0.81	4.25	0.82	4.34	0.83	4.55	0.84	4.78	0.85
						29	3.53	0.80	3.92	0.82	4.08	0.83	4.17	0.84	4.27	0.85	4.48	0.86	4.72	0.87
						31	3.53	0.82	3.84	0.84	4.01	0.85	4.10	0.86	4.20	0.87	4.42	0.88	4.66	0.89
						33	3.53	0.84	3.76	0.86	3.94	0.87	4.03	0.88	4.13	0.89	4.36	0.90	4.61	0.91
						35	3.53	0.87	3.69	0.88	3.87	0.90	4.00	0.90	4.08	0.91	4.31	0.92	4.57	0.94
						37	3.53	0.89	3.62	0.90	3.81	0.92	3.91	0.92	4.02	0.93	4.26	0.94	4.53	0.96
						39	3.53	0.91	3.56	0.92	3.76	0.94	3.86	0.95	3.98	0.95	4.22	0.97	4.49	0.98
						42	3.53	0.94	3.48	0.96	3.69	0.97	3.80	0.98	3.92	0.99	4.17	1.00	4.46	1.01
44	3.53	0.97	3.44	0.98	3.65	1.00	3.76	1.00	3.89	1.01	4.15	1.02	4.44	1.04						
46	3.53	0.99	3.39	1.01	3.61	1.02	3.73	1.03	3.86	1.03	4.13	1.05	4.42	1.06						

12. Capacity Table

Combination (Capacity Index)				Combination (Total)	Combination (%)	Outdoor Temperature (°C, DB)	Indoor Temperature(°C, WB)													
							14		16		18		19		20		22		24	
							TC(kW)	PI(kW)	TC(kW)	PI(kW)	TC(kW)	PI(kW)	TC(kW)	PI(kW)	TC(kW)	PI(kW)	TC(kW)	PI(kW)	TC(kW)	PI(kW)
2000	2500			4500	113%	10	3.53	0.65	4.99	0.66	5.08	0.68	5.14	0.69	5.20	0.69	5.35	0.71	5.52	0.72
						12	3.53	0.66	4.85	0.68	4.95	0.69	5.01	0.70	5.08	0.71	5.23	0.72	5.41	0.74
						14	3.53	0.68	4.72	0.70	4.83	0.71	4.89	0.72	4.96	0.73	5.12	0.74	5.31	0.75
						16	3.53	0.70	4.60	0.71	4.71	0.73	4.78	0.74	4.85	0.74	5.02	0.76	5.21	0.77
						18	3.53	0.71	4.48	0.73	4.60	0.75	4.67	0.75	4.75	0.76	4.92	0.78	5.12	0.79
						20	3.53	0.73	4.36	0.75	4.49	0.76	4.57	0.77	4.65	0.78	4.83	0.79	5.03	0.81
						21	3.53	0.74	4.31	0.76	4.44	0.77	4.52	0.78	4.60	0.79	4.78	0.80	4.99	0.82
						23	3.53	0.76	4.20	0.78	4.34	0.79	4.42	0.80	4.51	0.81	4.70	0.82	4.91	0.83
						25	3.53	0.78	4.10	0.80	4.25	0.81	4.33	0.82	4.42	0.83	4.62	0.84	4.84	0.85
						27	3.53	0.80	4.01	0.82	4.16	0.83	4.25	0.84	4.34	0.85	4.55	0.86	4.78	0.87
						29	3.53	0.82	3.92	0.84	4.08	0.85	4.17	0.86	4.27	0.87	4.48	0.88	4.72	0.89
						31	3.53	0.84	3.84	0.86	4.01	0.87	4.10	0.88	4.20	0.89	4.42	0.90	4.66	0.91
						33	3.53	0.86	3.76	0.88	3.94	0.89	4.03	0.90	4.13	0.91	4.36	0.92	4.61	0.94
						35	3.53	0.88	3.69	0.90	3.87	0.91	4.00	0.92	4.08	0.93	4.31	0.94	4.57	0.96
						37	3.53	0.91	3.62	0.92	3.81	0.94	3.91	0.94	4.02	0.95	4.26	0.97	4.53	0.98
						39	3.53	0.93	3.56	0.94	3.76	0.96	3.86	0.97	3.98	0.97	4.22	0.99	4.49	1.00
42	3.53	0.96	3.48	0.98	3.69	0.99	3.80	1.00	3.92	1.01	4.17	1.02	4.46	1.04						
44	3.53	0.99	3.44	1.00	3.65	1.02	3.76	1.03	3.89	1.03	4.15	1.05	4.44	1.06						
46	3.53	1.01	3.39	1.03	3.61	1.04	3.73	1.05	3.86	1.06	4.13	1.07	4.42	1.08						
2000	3500			5500	138%	10	3.53	0.65	4.99	0.67	5.08	0.69	5.14	0.69	5.20	0.70	5.35	0.72	5.52	0.73
						12	3.53	0.67	4.85	0.69	4.95	0.70	5.01	0.71	5.08	0.72	5.23	0.73	5.41	0.75
						14	3.53	0.69	4.72	0.70	4.83	0.72	4.89	0.73	4.96	0.73	5.12	0.75	5.31	0.76
						16	3.53	0.70	4.60	0.72	4.71	0.74	4.78	0.74	4.85	0.75	5.02	0.77	5.21	0.78
						18	3.53	0.72	4.48	0.74	4.60	0.75	4.67	0.76	4.75	0.77	4.92	0.78	5.12	0.80
						20	3.53	0.74	4.36	0.76	4.49	0.77	4.57	0.78	4.65	0.79	4.83	0.80	5.03	0.82
						21	3.53	0.75	4.31	0.77	4.44	0.78	4.52	0.79	4.60	0.80	4.78	0.81	4.99	0.83
						23	3.53	0.77	4.20	0.78	4.34	0.80	4.42	0.81	4.51	0.82	4.70	0.83	4.91	0.84
						25	3.53	0.79	4.10	0.80	4.25	0.82	4.33	0.83	4.42	0.83	4.62	0.85	4.84	0.86
						27	3.53	0.81	4.01	0.82	4.16	0.84	4.25	0.85	4.34	0.85	4.55	0.87	4.78	0.88
						29	3.53	0.83	3.92	0.85	4.08	0.86	4.17	0.87	4.27	0.88	4.48	0.89	4.72	0.90
						31	3.53	0.85	3.84	0.87	4.01	0.88	4.10	0.89	4.20	0.90	4.42	0.91	4.66	0.92
						33	3.53	0.87	3.76	0.89	3.94	0.90	4.03	0.91	4.13	0.92	4.36	0.93	4.61	0.95
						35	3.53	0.89	3.69	0.91	3.87	0.92	4.00	0.93	4.08	0.94	4.31	0.95	4.57	0.97
						37	3.53	0.92	3.62	0.93	3.81	0.95	3.91	0.95	4.02	0.96	4.26	0.98	4.53	0.99
						39	3.53	0.94	3.56	0.96	3.76	0.97	3.86	0.98	3.98	0.98	4.22	1.00	4.49	1.01
42	3.53	0.98	3.48	0.99	3.69	1.01	3.80	1.01	3.92	1.02	4.17	1.03	4.46	1.05						
44	3.53	1.00	3.44	1.01	3.65	1.03	3.76	1.04	3.89	1.04	4.15	1.06	4.44	1.07						
46	3.53	1.02	3.39	1.04	3.61	1.05	3.73	1.06	3.86	1.07	4.13	1.08	4.42	1.10						

12. Capacity Table

Combination (Capacity Index)				Combination (Total)	Combination (%)	Outdoor Temperature (°C,DB)	Indoor Temperature(°C, WB)													
							14		16		18		19		20		22		24	
							TC(kW)	PI(kW)	TC(kW)	PI(kW)	TC(kW)	PI(kW)	TC(kW)	PI(kW)	TC(kW)	PI(kW)	TC(kW)	PI(kW)	TC(kW)	PI(kW)
2500	2500			5000	125%	10	3.53	0.66	4.99	0.68	5.08	0.69	5.14	0.70	5.20	0.71	5.35	0.72	5.52	0.74
						12	3.53	0.68	4.85	0.69	4.95	0.71	5.01	0.72	5.08	0.73	5.23	0.74	5.41	0.75
						14	3.53	0.69	4.72	0.71	4.83	0.73	4.89	0.73	4.96	0.74	5.12	0.76	5.31	0.77
						16	3.53	0.71	4.60	0.73	4.71	0.74	4.78	0.75	4.85	0.76	5.02	0.77	5.21	0.79
						18	3.53	0.73	4.48	0.75	4.60	0.76	4.67	0.77	4.75	0.78	4.92	0.79	5.12	0.81
						20	3.53	0.75	4.36	0.76	4.49	0.78	4.57	0.79	4.65	0.80	4.83	0.81	5.03	0.82
						21	3.53	0.76	4.31	0.77	4.44	0.79	4.52	0.80	4.60	0.81	4.78	0.82	4.99	0.83
						23	3.53	0.78	4.20	0.79	4.34	0.81	4.42	0.82	4.51	0.82	4.70	0.84	4.91	0.85
						25	3.53	0.80	4.10	0.81	4.25	0.83	4.33	0.84	4.42	0.84	4.62	0.86	4.84	0.87
						27	3.53	0.82	4.01	0.83	4.16	0.85	4.25	0.86	4.34	0.86	4.55	0.88	4.78	0.89
						29	3.53	0.84	3.92	0.85	4.08	0.87	4.17	0.88	4.27	0.88	4.48	0.90	4.72	0.91
						31	3.53	0.86	3.84	0.88	4.01	0.89	4.10	0.90	4.20	0.91	4.42	0.92	4.66	0.93
						33	3.53	0.88	3.76	0.90	3.94	0.91	4.03	0.92	4.13	0.93	4.36	0.94	4.61	0.96
						35	3.53	0.90	3.69	0.92	3.87	0.93	4.00	0.94	4.08	0.95	4.31	0.96	4.57	0.98
						37	3.53	0.93	3.62	0.94	3.81	0.96	3.91	0.96	4.02	0.97	4.26	0.99	4.53	1.00
						39	3.53	0.95	3.56	0.97	3.76	0.98	3.86	0.99	3.98	1.00	4.22	1.01	4.49	1.02
42	3.53	0.99	3.48	1.00	3.69	1.02	3.80	1.02	3.92	1.03	4.17	1.05	4.46	1.06						
44	3.53	1.01	3.44	1.03	3.65	1.04	3.76	1.05	3.89	1.06	4.15	1.07	4.44	1.08						
46	3.53	1.04	3.39	1.05	3.61	1.07	3.73	1.07	3.86	1.08	4.13	1.09	4.42	1.11						
2500	3500			6000	150%	10	3.53	0.67	4.99	0.68	5.08	0.70	5.14	0.71	5.20	0.72	5.35	0.73	5.52	0.75
						12	3.53	0.68	4.85	0.70	4.95	0.72	5.01	0.73	5.08	0.73	5.23	0.75	5.41	0.76
						14	3.53	0.70	4.72	0.72	4.83	0.73	4.89	0.74	4.96	0.75	5.12	0.77	5.31	0.78
						16	3.53	0.72	4.60	0.74	4.71	0.75	4.78	0.76	4.85	0.77	5.02	0.78	5.21	0.80
						18	3.53	0.74	4.48	0.75	4.60	0.77	4.67	0.78	4.75	0.79	4.92	0.80	5.12	0.81
						20	3.53	0.76	4.36	0.77	4.49	0.79	4.57	0.80	4.65	0.80	4.83	0.82	5.03	0.83
						21	3.53	0.77	4.31	0.78	4.44	0.80	4.52	0.81	4.60	0.81	4.78	0.83	4.99	0.84
						23	3.53	0.79	4.20	0.80	4.34	0.82	4.42	0.83	4.51	0.83	4.70	0.85	4.91	0.86
						25	3.53	0.81	4.10	0.82	4.25	0.84	4.33	0.85	4.42	0.85	4.62	0.87	4.84	0.88
						27	3.53	0.83	4.01	0.84	4.16	0.86	4.25	0.87	4.34	0.87	4.55	0.89	4.78	0.90
						29	3.53	0.85	3.92	0.86	4.08	0.88	4.17	0.89	4.27	0.89	4.48	0.91	4.72	0.92
						31	3.53	0.87	3.84	0.88	4.01	0.90	4.10	0.91	4.20	0.92	4.42	0.93	4.66	0.94
						33	3.53	0.89	3.76	0.91	3.94	0.92	4.03	0.93	4.13	0.94	4.36	0.95	4.61	0.97
						35	3.53	0.91	3.69	0.93	3.87	0.94	4.00	0.95	4.08	0.96	4.31	0.97	4.57	0.99
						37	3.53	0.94	3.62	0.95	3.81	0.97	3.91	0.98	4.02	0.98	4.26	1.00	4.53	1.01
						39	3.53	0.96	3.56	0.98	3.76	0.99	3.86	1.00	3.98	1.01	4.22	1.02	4.49	1.03
42	3.53	1.00	3.48	1.01	3.69	1.03	3.80	1.03	3.92	1.04	4.17	1.06	4.46	1.07						
44	3.53	1.02	3.44	1.04	3.65	1.05	3.76	1.06	3.89	1.07	4.15	1.08	4.44	1.09						
46	3.53	1.05	3.39	1.06	3.61	1.08	3.73	1.08	3.86	1.09	4.13	1.11	4.42	1.12						

NOTE

- The performance table shows the average value of each conditions.
- The above is the value for connecting with the following indoor units.
 - 2000, 2500, 3500W class : AR07TXFCAWKNEU, AR09TXFCAWKNEU, AR12TXFCAWKNEU
- The total ability of connected a indoor unit is up to 6.0kW
- It is impossible to connect the indoor unit for one room only.
- This data is reference data for temperature capacity trend.

12. Capacity Table

12-1. AJ040TXJ2KG/EU

Heating

Combination (Capacity Index)				Combination (Total)	Combination (%)	Outdoor Temperature (°C,DB)	Indoor Temperature(°C, DB)															
							14		16		18		20		21		22		24			
							TC(kW)	PI(kW)	TC(kW)	PI(kW)	TC(kW)	PI(kW)	TC(kW)	PI(kW)	TC(kW)	PI(kW)	TC(kW)	PI(kW)	TC(kW)	PI(kW)		
2000				2000	50%	-15	1.37	0.62	1.33	0.63	1.29	0.64	1.28	0.64	1.26	0.64	1.23	0.65	1.21	0.66		
						-10	1.65	0.65	1.60	0.66	1.56	0.67	1.54	0.67	1.52	0.68	1.49	0.69	1.47	0.69		
						-5	1.92	0.68	1.87	0.69	1.83	0.70	1.81	0.71	1.79	0.71	1.75	0.72	1.73	0.73		
						0	2.19	0.72	2.14	0.73	2.09	0.74	2.07	0.74	2.05	0.75	2.02	0.75	1.99	0.76		
						2	2.30	0.73	2.25	0.74	2.20	0.75	2.18	0.75	2.16	0.76	2.12	0.77	2.09	0.77		
						7	2.52	0.75	2.46	0.77	2.42	0.78	2.40	0.78	2.37	0.79	2.33	0.79	2.30	0.80		
						10	2.74	0.78	2.68	0.79	2.63	0.80	2.61	0.81	2.59	0.81	2.54	0.82	2.51	0.83		
2500				2500	63%	-15	1.77	0.68	1.72	0.69	1.67	0.69	1.65	0.70	1.63	0.70	1.59	0.71	1.56	0.72		
						-10	2.13	0.71	2.07	0.72	2.01	0.73	1.99	0.74	1.97	0.74	1.93	0.75	1.89	0.75		
						-5	2.48	0.75	2.42	0.76	2.36	0.77	2.33	0.77	2.31	0.78	2.27	0.78	2.23	0.79		
						0	2.83	0.78	2.76	0.79	2.71	0.80	2.68	0.81	2.65	0.81	2.61	0.82	2.57	0.83		
						2	2.97	0.79	2.90	0.81	2.84	0.82	2.82	0.82	2.79	0.83	2.74	0.84	2.70	0.84		
						7	3.25	0.82	3.18	0.83	3.12	0.85	3.10	0.85	3.06	0.86	3.01	0.87	2.97	0.87		
						10	3.54	0.85	3.46	0.86	3.40	0.87	3.37	0.88	3.34	0.88	3.29	0.89	3.24	0.90		
3500				3500	88%	-15	2.18	0.87	2.11	0.89	2.05	0.90	2.02	0.90	1.99	0.91	1.95	0.92	1.91	0.93		
						-10	2.61	0.92	2.53	0.93	2.47	0.95	2.44	0.95	2.41	0.96	2.36	0.97	2.32	0.97		
						-5	3.04	0.97	2.96	0.98	2.89	0.99	2.86	1.00	2.83	1.00	2.78	1.01	2.73	1.02		
						0	3.47	1.01	3.39	1.03	3.32	1.04	3.28	1.05	3.25	1.05	3.19	1.06	3.14	1.07		
						2	3.64	1.03	3.56	1.04	3.49	1.06	3.45	1.06	3.42	1.07	3.36	1.08	3.31	1.09		
						7	3.99	1.06	3.90	1.08	3.83	1.09	3.80	1.10	3.76	1.11	3.69	1.12	3.64	1.13		
						10	4.33	1.10	4.25	1.12	4.17	1.13	4.13	1.14	4.09	1.15	4.03	1.16	3.97	1.17		
2000	2000			4000	100%	-15	2.40	0.72	2.33	0.73	2.26	0.74	2.23	0.74	2.20	0.74	2.15	0.75	2.11	0.76		
						-10	2.88	0.75	2.80	0.76	2.73	0.77	2.70	0.78	2.67	0.78	2.61	0.79	2.57	0.80		
						-5	3.36	0.79	3.27	0.80	3.20	0.81	3.16	0.82	3.13	0.82	3.07	0.83	3.02	0.84		
						0	3.83	0.83	3.75	0.84	3.66	0.85	3.63	0.86	3.59	0.86	3.53	0.87	3.48	0.88		
						2	4.02	0.84	3.93	0.85	3.85	0.87	3.81	0.87	3.78	0.88	3.71	0.89	3.66	0.89		
						7	4.41	0.87	4.31	0.88	4.23	0.90	4.20	0.90	4.15	0.91	4.08	0.92	4.02	0.92		
						10	4.79	0.90	4.69	0.91	4.60	0.93	4.56	0.93	4.52	0.94	4.45	0.95	4.39	0.96		
2000	2500			4500	113%	-15	2.40	0.73	2.33	0.74	2.26	0.75	2.23	0.76	2.20	0.76	2.15	0.77	2.11	0.77		
						-10	2.88	0.77	2.80	0.78	2.73	0.79	2.70	0.80	2.67	0.80	2.61	0.81	2.57	0.82		
						-5	3.36	0.81	3.27	0.82	3.20	0.83	3.16	0.84	3.13	0.84	3.07	0.85	3.02	0.86		
						0	3.83	0.85	3.75	0.86	3.66	0.87	3.63	0.87	3.59	0.88	3.53	0.89	3.48	0.90		
						2	4.02	0.86	3.93	0.87	3.85	0.88	3.81	0.89	3.78	0.90	3.71	0.90	3.66	0.91		
						7	4.41	0.89	4.31	0.90	4.23	0.92	4.20	0.92	4.15	0.93	4.08	0.94	4.02	0.95		
						10	4.79	0.92	4.69	0.93	4.60	0.95	4.56	0.95	4.52	0.96	4.45	0.97	4.39	0.98		
						-15	5.27	0.96	5.17	0.97	5.08	0.98	5.03	0.99	4.99	1.00	4.91	1.01	4.85	1.02		

12. Capacity Table

Combination (Capacity Index)				Combination (Total)	Combination (%)	Outdoor Temperature (°C,DB)	Indoor Temperature(°C, DB)													
							14		16		18		20		21		22		24	
							TC(kW)	PI(kW)	TC(kW)	PI(kW)	TC(kW)	PI(kW)	TC(kW)	PI(kW)	TC(kW)	PI(kW)	TC(kW)	PI(kW)	TC(kW)	PI(kW)
2000	3500			5500	138%	-15	2.40	0.74	2.33	0.75	2.26	0.76	2.23	0.76	2.20	0.77	2.15	0.78	2.11	0.78
						-10	2.88	0.78	2.80	0.79	2.73	0.80	2.70	0.80	2.67	0.81	2.61	0.82	2.57	0.82
						-5	3.36	0.82	3.27	0.83	3.20	0.84	3.16	0.84	3.13	0.85	3.07	0.86	3.02	0.87
						0	3.83	0.85	3.75	0.87	3.66	0.88	3.63	0.88	3.59	0.89	3.53	0.90	3.48	0.91
						2	4.02	0.87	3.93	0.88	3.85	0.89	3.81	0.90	3.78	0.91	3.71	0.91	3.66	0.92
						7	4.41	0.90	4.31	0.91	4.23	0.93	4.20	0.93	4.15	0.94	4.08	0.95	4.02	0.96
						10	4.79	0.93	4.69	0.94	4.60	0.96	4.56	0.96	4.52	0.97	4.45	0.98	4.39	0.99
						15	5.27	0.97	5.17	0.98	5.08	1.00	5.03	1.00	4.99	1.01	4.91	1.02	4.85	1.03
2500	2500			5000	125%	-15	2.40	0.75	2.33	0.76	2.26	0.77	2.23	0.77	2.20	0.78	2.15	0.78	2.11	0.79
						-10	2.88	0.79	2.80	0.80	2.73	0.81	2.70	0.81	2.67	0.82	2.61	0.83	2.57	0.83
						-5	3.36	0.83	3.27	0.84	3.20	0.85	3.16	0.85	3.13	0.86	3.07	0.87	3.02	0.87
						0	3.83	0.86	3.75	0.88	3.66	0.89	3.63	0.89	3.59	0.90	3.53	0.91	3.48	0.92
						2	4.02	0.88	3.93	0.89	3.85	0.90	3.81	0.91	3.78	0.91	3.71	0.92	3.66	0.93
						7	4.41	0.91	4.31	0.92	4.23	0.94	4.20	0.94	4.15	0.95	4.08	0.96	4.02	0.97
						10	4.79	0.94	4.69	0.95	4.60	0.97	4.56	0.97	4.52	0.98	4.45	0.99	4.39	1.00
						15	5.27	0.98	5.17	0.99	5.08	1.01	5.03	1.01	4.99	1.02	4.91	1.03	4.85	1.04
2500	3500			6000	150%	-15	2.40	0.76	2.33	0.77	2.26	0.78	2.23	0.78	2.20	0.79	2.15	0.79	2.11	0.80
						-10	2.88	0.79	2.80	0.81	2.73	0.82	2.70	0.82	2.67	0.83	2.61	0.83	2.57	0.84
						-5	3.36	0.83	3.27	0.85	3.20	0.86	3.16	0.86	3.13	0.87	3.07	0.88	3.02	0.88
						0	3.83	0.87	3.75	0.89	3.66	0.90	3.63	0.90	3.59	0.91	3.53	0.92	3.48	0.93
						2	4.02	0.89	3.93	0.90	3.85	0.91	3.81	0.92	3.78	0.92	3.71	0.93	3.66	0.94
						7	4.41	0.92	4.31	0.93	4.23	0.95	4.20	0.95	4.15	0.96	4.08	0.97	4.02	0.98
						10	4.79	0.95	4.69	0.96	4.60	0.98	4.56	0.98	4.52	0.99	4.45	1.00	4.39	1.01
						15	5.27	0.99	5.17	1.00	5.08	1.02	5.03	1.02	4.99	1.03	4.91	1.04	4.85	1.05

NOTE

- The performance table shows the average value of each conditions.
- The above is the value for connecting with the following indoor units.
 - 2000, 2500, 3500W class : AR07TXFCAWKNEU, AR09TXFCAWKNEU, AR12TXFCAWKNEU
- The total ability of connected a indoor unit is up to 6.0kW
- It is impossible to connect the indoor unit for one room only.
- This data is reference data for temperature capacity trend.

12. Capacity Table

12-2. AJ050TXJ2KG/EU

Cooling

Combination (Capacity Index)				Combination (Total)	Combination (%)	Outdoor Temperature (°C,DB)	Indoor Temperature(°C, WB)													
							14		16		18		19		20		22		24	
							TC(kW)	PI(kW)	TC(kW)	PI(kW)	TC(kW)	PI(kW)	TC(kW)	PI(kW)	TC(kW)	PI(kW)	TC(kW)	PI(kW)	TC(kW)	PI(kW)
2000				2000	40%	10	1.92	0.42	2.78	0.47	2.90	0.51	2.96	0.53	3.02	0.54	3.13	0.57	3.25	0.59
						12	1.92	0.44	2.74	0.49	2.85	0.53	2.91	0.54	2.97	0.56	3.09	0.58	3.21	0.60
						14	1.92	0.46	2.69	0.51	2.81	0.54	2.87	0.56	2.92	0.57	3.04	0.60	3.16	0.61
						16	1.92	0.48	2.65	0.52	2.76	0.56	2.82	0.57	2.88	0.59	3.00	0.61	3.11	0.63
						18	1.92	0.50	2.60	0.54	2.72	0.58	2.78	0.59	2.83	0.60	2.95	0.62	3.07	0.64
						20	1.92	0.52	2.56	0.56	2.67	0.59	2.73	0.61	2.79	0.62	2.90	0.64	3.02	0.65
						21	1.92	0.53	2.54	0.57	2.65	0.60	2.71	0.62	2.77	0.63	2.88	0.65	3.00	0.66
						23	1.92	0.55	2.50	0.59	2.61	0.62	2.66	0.63	2.72	0.64	2.83	0.66	2.95	0.67
						25	1.92	0.57	2.45	0.61	2.56	0.64	2.62	0.65	2.68	0.66	2.79	0.67	2.90	0.68
						27	1.92	0.59	2.41	0.63	2.52	0.66	2.58	0.67	2.63	0.68	2.74	0.69	2.86	0.70
						29	1.92	0.62	2.37	0.65	2.48	0.67	2.53	0.68	2.59	0.69	2.70	0.71	2.81	0.71
						31	1.92	0.64	2.32	0.67	2.43	0.69	2.49	0.70	2.54	0.71	2.65	0.72	2.76	0.72
						33	1.92	0.66	2.28	0.69	2.39	0.71	2.44	0.72	2.50	0.73	2.61	0.74	2.72	0.74
						35	1.92	0.68	2.24	0.71	2.34	0.73	2.40	0.73	2.45	0.75	2.56	0.75	2.67	0.75
						37	1.92	0.71	2.19	0.73	2.30	0.75	2.36	0.76	2.41	0.76	2.52	0.77	2.63	0.77
						39	1.92	0.73	2.15	0.75	2.26	0.77	2.31	0.78	2.37	0.78	2.47	0.79	2.58	0.78
42	1.90	0.76	2.09	0.79	2.19	0.80	2.25	0.81	2.30	0.81	2.41	0.81	2.51	0.81						
44	1.80	0.79	2.05	0.81	2.15	0.82	2.20	0.83	2.26	0.83	2.36	0.83	2.47	0.82						
46	1.75	0.81	2.00	0.83	2.11	0.84	2.16	0.85	2.21	0.85	2.32	0.85	2.42	0.84						
2500				2500	50%	10	2.00	0.46	2.90	0.52	3.02	0.56	3.08	0.58	3.14	0.60	3.26	0.63	3.39	0.65
						12	2.00	0.48	2.85	0.53	2.97	0.58	3.03	0.60	3.09	0.61	3.22	0.64	3.34	0.66
						14	2.00	0.51	2.80	0.55	2.93	0.60	2.99	0.61	3.05	0.63	3.17	0.65	3.29	0.67
						16	2.00	0.53	2.76	0.57	2.88	0.61	2.94	0.63	3.00	0.65	3.12	0.67	3.24	0.69
						18	2.00	0.55	2.71	0.59	2.83	0.63	2.89	0.65	2.95	0.66	3.07	0.68	3.19	0.70
						20	2.00	0.57	2.67	0.61	2.79	0.65	2.85	0.67	2.90	0.68	3.02	0.70	3.14	0.71
						21	2.00	0.58	2.64	0.62	2.76	0.66	2.82	0.67	2.88	0.69	3.00	0.71	3.12	0.72
						23	2.00	0.61	2.60	0.65	2.72	0.68	2.78	0.69	2.83	0.71	2.95	0.72	3.07	0.73
						25	2.00	0.63	2.55	0.67	2.67	0.70	2.73	0.71	2.79	0.72	2.91	0.74	3.02	0.75
						27	2.00	0.65	2.51	0.69	2.62	0.72	2.68	0.73	2.74	0.74	2.86	0.76	2.98	0.76
						29	2.00	0.68	2.46	0.71	2.58	0.74	2.64	0.75	2.69	0.76	2.81	0.77	2.93	0.78
						31	2.00	0.70	2.42	0.73	2.53	0.76	2.59	0.77	2.65	0.78	2.76	0.79	2.88	0.79
						33	2.00	0.72	2.37	0.76	2.49	0.78	2.54	0.79	2.60	0.80	2.72	0.81	2.83	0.81
						35	2.00	0.75	2.33	0.78	2.44	0.80	2.50	0.80	2.56	0.82	2.67	0.83	2.78	0.83
						37	2.00	0.77	2.29	0.80	2.40	0.82	2.45	0.83	2.51	0.84	2.62	0.84	2.74	0.84
						39	2.00	0.80	2.24	0.83	2.35	0.85	2.41	0.85	2.46	0.86	2.58	0.86	2.69	0.86
42	1.98	0.84	2.18	0.86	2.29	0.88	2.34	0.88	2.40	0.89	2.51	0.89	2.62	0.88						
44	1.88	0.86	2.13	0.89	2.24	0.90	2.30	0.91	2.35	0.91	2.46	0.91	2.57	0.90						
46	1.83	0.89	2.09	0.91	2.20	0.93	2.25	0.93	2.30	0.93	2.41	0.93	2.53	0.92						

12. Capacity Table

Combination (Capacity Index)				Combination (Total)	Combination (%)	Outdoor Temperature (°C,DB)	Indoor Temperature(°C, WB)															
							14		16		18		19		20		22		24			
							TC(kW)	PI(kW)	TC(kW)	PI(kW)	TC(kW)	PI(kW)	TC(kW)	PI(kW)	TC(kW)	PI(kW)	TC(kW)	PI(kW)	TC(kW)	PI(kW)		
3500				3500	70%	10	2.80	0.63	4.06	0.70	4.23	0.76	4.31	0.79	4.40	0.81	4.57	0.85	4.74	0.88		
						12	2.80	0.66	3.99	0.73	4.16	0.79	4.25	0.81	4.33	0.83	4.50	0.87	4.68	0.90		
						14	2.80	0.69	3.93	0.75	4.10	0.81	4.18	0.83	4.26	0.86	4.44	0.89	4.61	0.92		
						16	2.80	0.72	3.86	0.78	4.03	0.84	4.11	0.86	4.20	0.88	4.37	0.91	4.54	0.93		
						18	2.80	0.75	3.80	0.81	3.96	0.86	4.05	0.88	4.13	0.90	4.30	0.93	4.47	0.95		
						20	2.80	0.78	3.73	0.84	3.90	0.89	3.98	0.91	4.07	0.92	4.23	0.95	4.40	0.97		
						21	2.80	0.79	3.70	0.85	3.87	0.90	3.95	0.92	4.03	0.94	4.20	0.96	4.37	0.98		
						23	2.80	0.82	3.64	0.88	3.80	0.93	3.89	0.94	3.97	0.96	4.13	0.99	4.30	1.00		
						25	2.80	0.86	3.58	0.91	3.74	0.95	3.82	0.97	3.90	0.99	4.07	1.01	4.23	1.02		
						27	2.80	0.89	3.51	0.94	3.67	0.98	3.76	1.00	3.84	1.01	4.00	1.03	4.17	1.04		
						29	2.80	0.92	3.45	0.97	3.61	1.01	3.69	1.02	3.77	1.04	3.93	1.05	4.10	1.06		
						31	2.80	0.95	3.39	1.00	3.55	1.04	3.63	1.05	3.71	1.06	3.87	1.08	4.03	1.08		
						33	2.80	0.99	3.32	1.03	3.48	1.06	3.56	1.08	3.64	1.09	3.80	1.10	3.97	1.10		
						35	2.80	1.02	3.26	1.06	3.42	1.09	3.50	1.09	3.58	1.11	3.74	1.12	3.90	1.12		
						37	2.80	1.05	3.20	1.09	3.36	1.12	3.43	1.13	3.51	1.14	3.67	1.15	3.83	1.15		
						39	2.80	1.09	3.14	1.13	3.29	1.15	3.37	1.16	3.45	1.17	3.61	1.17	3.77	1.17		
						42	2.77	1.14	3.05	1.17	3.20	1.20	3.28	1.21	3.35	1.21	3.51	1.21	3.67	1.21		
44	2.63	1.18	2.98	1.21	3.14	1.23	3.21	1.24	3.29	1.24	3.45	1.24	3.60	1.23								
46	2.56	1.21	2.92	1.24	3.07	1.26	3.15	1.27	3.23	1.27	3.38	1.27	3.54	1.25								
2000	2000			4000	80%	10	3.53	0.69	4.99	0.71	5.08	0.72	5.14	0.73	5.20	0.74	5.35	0.75	5.52	0.77		
						12	3.53	0.71	4.85	0.72	4.95	0.74	5.01	0.75	5.08	0.76	5.23	0.77	5.41	0.79		
						14	3.53	0.72	4.72	0.74	4.83	0.76	4.89	0.77	4.96	0.77	5.12	0.79	5.31	0.80		
						16	3.53	0.74	4.60	0.76	4.71	0.78	4.78	0.78	4.85	0.79	5.02	0.81	5.21	0.82		
						18	3.53	0.76	4.48	0.78	4.60	0.79	4.67	0.80	4.75	0.81	4.92	0.83	5.12	0.84		
						20	3.53	0.78	4.36	0.80	4.49	0.81	4.57	0.82	4.65	0.83	4.83	0.84	5.03	0.86		
						21	3.53	0.79	4.31	0.81	4.44	0.82	4.52	0.83	4.60	0.84	4.78	0.85	4.99	0.87		
						23	3.53	0.81	4.20	0.83	4.34	0.84	4.42	0.85	4.51	0.86	4.70	0.87	4.91	0.89		
						25	3.53	0.83	4.10	0.85	4.25	0.86	4.33	0.87	4.42	0.88	4.62	0.90	4.84	0.91		
						27	3.53	0.85	4.01	0.87	4.16	0.89	4.25	0.89	4.34	0.90	4.55	0.92	4.78	0.93		
						29	3.53	0.87	3.92	0.89	4.08	0.91	4.17	0.91	4.27	0.92	4.48	0.94	4.72	0.95		
						31	3.53	0.90	3.84	0.91	4.01	0.93	4.10	0.94	4.20	0.94	4.42	0.96	4.66	0.97		
						33	3.53	0.92	3.76	0.94	3.94	0.95	4.03	0.96	4.13	0.97	4.36	0.98	4.61	1.00		
						35	3.53	0.94	3.69	0.96	3.87	0.97	4.00	0.98	4.08	0.99	4.31	1.00	4.57	1.02		
						37	3.53	0.97	3.62	0.98	3.81	1.00	3.91	1.01	4.02	1.01	4.26	1.03	4.53	1.04		
						39	3.53	0.99	3.56	1.01	3.76	1.02	3.86	1.03	3.98	1.04	4.22	1.05	4.49	1.07		
						42	3.53	1.03	3.48	1.04	3.69	1.06	3.80	1.07	3.92	1.07	4.17	1.09	4.46	1.10		
44	3.53	1.05	3.44	1.07	3.65	1.09	3.76	1.09	3.89	1.10	4.15	1.11	4.44	1.13								
46	3.53	1.08	3.39	1.10	3.61	1.11	3.73	1.12	3.86	1.13	4.13	1.14	4.42	1.15								

12. Capacity Table

Combination (Capacity Index)				Combination (Total)	Combination (%)	Outdoor Temperature (°C, DB)	Indoor Temperature(°C, WB)															
							14		16		18		19		20		22		24			
							TC(kW)	PI(kW)	TC(kW)	PI(kW)	TC(kW)	PI(kW)	TC(kW)	PI(kW)	TC(kW)	PI(kW)	TC(kW)	PI(kW)	TC(kW)	PI(kW)		
2000	2500			4500	90%	10	4.07	0.79	5.73	0.81	5.84	0.83	5.91	0.84	5.98	0.84	6.15	0.86	6.34	0.88		
						12	4.07	0.81	5.58	0.83	5.69	0.85	5.76	0.85	5.84	0.86	6.02	0.88	6.22	0.90		
						14	4.07	0.83	5.43	0.85	5.55	0.87	5.63	0.88	5.71	0.88	5.89	0.90	6.10	0.92		
						16	4.07	0.85	5.29	0.87	5.42	0.89	5.50	0.90	5.58	0.90	5.77	0.92	5.99	0.94		
						18	4.07	0.87	5.15	0.89	5.29	0.91	5.37	0.92	5.46	0.93	5.66	0.94	5.89	0.96		
						20	4.07	0.89	5.02	0.91	5.17	0.93	5.25	0.94	5.34	0.95	5.55	0.97	5.79	0.98		
						21	4.07	0.90	4.96	0.92	5.11	0.94	5.19	0.95	5.29	0.96	5.50	0.98	5.74	0.99		
						23	4.07	0.93	4.83	0.95	4.99	0.96	5.09	0.97	5.18	0.98	5.40	1.00	5.65	1.02		
						25	4.07	0.95	4.72	0.97	4.89	0.99	4.98	1.00	5.09	1.01	5.31	1.02	5.57	1.04		
						27	4.07	0.97	4.61	0.99	4.79	1.01	4.89	1.02	4.99	1.03	5.23	1.05	5.49	1.06		
						29	4.07	1.00	4.51	1.02	4.69	1.04	4.80	1.05	4.91	1.05	5.15	1.07	5.42	1.09		
						31	4.07	1.02	4.42	1.04	4.61	1.06	4.71	1.07	4.83	1.08	5.08	1.10	5.36	1.11		
						33	4.07	1.05	4.33	1.07	4.53	1.09	4.64	1.10	4.76	1.11	5.01	1.12	5.30	1.14		
						35	4.07	1.08	4.24	1.10	4.45	1.11	4.60	1.12	4.69	1.13	4.96	1.15	5.25	1.16		
						37	4.07	1.10	4.17	1.12	4.38	1.14	4.50	1.15	4.63	1.16	4.90	1.18	5.21	1.19		
						39	4.07	1.13	4.10	1.15	4.32	1.17	4.44	1.18	4.57	1.19	4.86	1.20	5.17	1.22		
42	4.07	1.17	4.01	1.19	4.24	1.21	4.37	1.22	4.51	1.23	4.80	1.25	5.12	1.26								
44	4.07	1.20	3.95	1.22	4.20	1.24	4.33	1.25	4.47	1.26	4.77	1.27	5.10	1.29								
46	4.07	1.23	3.90	1.25	4.16	1.27	4.29	1.28	4.44	1.29	4.75	1.30	5.09	1.32								
2000	3500			5500	110%	10	4.42	0.86	6.23	0.89	6.35	0.91	6.42	0.92	6.50	0.93	6.68	0.95	6.90	0.97		
						12	4.42	0.89	6.06	0.91	6.19	0.93	6.27	0.94	6.35	0.95	6.54	0.97	6.76	0.99		
						14	4.42	0.91	5.90	0.93	6.04	0.95	6.12	0.96	6.20	0.97	6.40	0.99	6.63	1.01		
						16	4.42	0.93	5.75	0.95	5.89	0.97	5.97	0.98	6.06	0.99	6.27	1.01	6.51	1.03		
						18	4.42	0.95	5.60	0.98	5.75	1.00	5.84	1.01	5.93	1.02	6.15	1.04	6.40	1.06		
						20	4.42	0.98	5.45	1.00	5.62	1.02	5.71	1.03	5.81	1.04	6.03	1.06	6.29	1.08		
						21	4.42	0.99	5.39	1.01	5.55	1.03	5.65	1.04	5.75	1.05	5.98	1.07	6.24	1.09		
						23	4.42	1.02	5.25	1.04	5.43	1.06	5.53	1.07	5.63	1.08	5.87	1.10	6.14	1.12		
						25	4.42	1.04	5.13	1.06	5.31	1.08	5.42	1.09	5.53	1.10	5.77	1.12	6.05	1.14		
						27	4.42	1.07	5.01	1.09	5.20	1.11	5.31	1.12	5.43	1.13	5.68	1.15	5.97	1.17		
						29	4.42	1.10	4.90	1.12	5.10	1.14	5.21	1.15	5.33	1.16	5.60	1.18	5.89	1.19		
						31	4.42	1.12	4.80	1.15	5.01	1.17	5.12	1.18	5.25	1.19	5.52	1.20	5.82	1.22		
						33	4.42	1.15	4.70	1.17	4.92	1.19	5.04	1.20	5.17	1.21	5.45	1.23	5.76	1.25		
						35	4.42	1.18	4.61	1.20	4.84	1.22	5.00	1.23	5.10	1.24	5.39	1.26	5.71	1.28		
						37	4.42	1.21	4.53	1.23	4.76	1.25	4.89	1.26	5.03	1.27	5.35	1.29	5.66	1.31		
						39	4.42	1.24	4.45	1.26	4.70	1.28	4.83	1.29	4.97	1.30	5.28	1.32	5.62	1.34		
42	4.42	1.29	4.35	1.31	4.61	1.33	4.75	1.34	4.90	1.35	5.22	1.37	5.57	1.39								
44	4.42	1.32	4.30	1.34	4.56	1.36	4.70	1.37	4.86	1.38	5.18	1.40	5.55	1.42								
46	4.42	1.35	4.24	1.38	4.52	1.39	4.67	1.40	4.82	1.41	5.16	1.43	5.53	1.45								

12. Capacity Table

Combination (Capacity Index)				Combination (Total)	Combination (%)	Outdoor Temperature (°C, DB)	Indoor Temperature(°C, WB)															
							14		16		18		19		20		22		24			
							TC(kW)	PI(kW)	TC(kW)	PI(kW)	TC(kW)	PI(kW)	TC(kW)	PI(kW)	TC(kW)	PI(kW)	TC(kW)	PI(kW)	TC(kW)	PI(kW)		
2500	2500			5000	100%	10	4.42	0.86	6.23	0.88	6.35	0.90	6.42	0.91	6.50	0.92	6.68	0.94	6.90	0.96		
						12	4.42	0.88	6.06	0.90	6.19	0.92	6.27	0.93	6.35	0.94	6.54	0.96	6.76	0.98		
						14	4.42	0.90	5.90	0.92	6.04	0.94	6.12	0.95	6.20	0.96	6.40	0.98	6.63	1.00		
						16	4.42	0.92	5.75	0.95	5.89	0.97	5.97	0.98	6.06	0.99	6.27	1.00	6.51	1.02		
						18	4.42	0.95	5.60	0.97	5.75	0.99	5.84	1.00	5.93	1.01	6.15	1.03	6.40	1.05		
						20	4.42	0.97	5.45	0.99	5.62	1.01	5.71	1.02	5.81	1.03	6.03	1.05	6.29	1.07		
						21	4.42	0.98	5.39	1.00	5.55	1.03	5.65	1.04	5.75	1.04	5.98	1.06	6.24	1.08		
						23	4.42	1.01	5.25	1.03	5.43	1.05	5.53	1.06	5.63	1.07	5.87	1.09	6.14	1.11		
						25	4.42	1.03	5.13	1.06	5.31	1.08	5.42	1.09	5.53	1.10	5.77	1.11	6.05	1.13		
						27	4.42	1.06	5.01	1.08	5.20	1.10	5.31	1.11	5.43	1.12	5.68	1.14	5.97	1.16		
						29	4.42	1.09	4.90	1.11	5.10	1.13	5.21	1.14	5.33	1.15	5.60	1.17	5.89	1.18		
						31	4.42	1.12	4.80	1.14	5.01	1.16	5.12	1.17	5.25	1.18	5.52	1.19	5.82	1.21		
						33	4.42	1.14	4.70	1.16	4.92	1.18	5.04	1.19	5.17	1.20	5.45	1.22	5.76	1.24		
						35	4.42	1.17	4.61	1.19	4.84	1.21	5.00	1.22	5.10	1.23	5.39	1.25	5.71	1.27		
						37	4.42	1.20	4.53	1.22	4.76	1.24	4.89	1.25	5.03	1.26	5.33	1.28	5.66	1.30		
						39	4.42	1.23	4.45	1.25	4.70	1.27	4.83	1.28	4.97	1.29	5.28	1.31	5.62	1.33		
						42	4.42	1.28	4.35	1.30	4.61	1.32	4.75	1.33	4.90	1.34	5.22	1.36	5.57	1.37		
44	4.42	1.31	4.30	1.33	4.56	1.35	4.70	1.36	4.86	1.37	5.18	1.39	5.55	1.41								
46	4.42	1.34	4.24	1.36	4.52	1.38	4.67	1.39	4.82	1.40	5.16	1.42	5.53	1.44								
2500	3500			6000	120%	10	4.42	0.86	6.23	0.89	6.35	0.91	6.42	0.92	6.50	0.93	6.68	0.95	6.90	0.97		
						12	4.42	0.89	6.06	0.91	6.19	0.93	6.27	0.94	6.35	0.95	6.54	0.97	6.76	0.99		
						14	4.42	0.91	5.90	0.93	6.04	0.95	6.12	0.96	6.20	0.97	6.40	0.99	6.63	1.01		
						16	4.42	0.93	5.75	0.95	5.89	0.97	5.97	0.98	6.06	0.99	6.27	1.01	6.51	1.03		
						18	4.42	0.95	5.60	0.98	5.75	1.00	5.84	1.01	5.93	1.02	6.15	1.04	6.40	1.06		
						20	4.42	0.98	5.45	1.00	5.62	1.02	5.71	1.03	5.81	1.04	6.03	1.06	6.29	1.08		
						21	4.42	0.99	5.39	1.01	5.55	1.03	5.65	1.04	5.75	1.05	5.98	1.07	6.24	1.09		
						23	4.42	1.02	5.25	1.04	5.43	1.06	5.53	1.07	5.63	1.08	5.87	1.10	6.14	1.12		
						25	4.42	1.04	5.13	1.06	5.31	1.08	5.42	1.09	5.53	1.10	5.77	1.12	6.05	1.14		
						27	4.42	1.07	5.01	1.09	5.20	1.11	5.31	1.12	5.43	1.13	5.68	1.15	5.97	1.17		
						29	4.42	1.10	4.90	1.12	5.10	1.14	5.21	1.15	5.33	1.16	5.60	1.18	5.89	1.19		
						31	4.42	1.12	4.80	1.15	5.01	1.17	5.12	1.18	5.25	1.19	5.52	1.20	5.82	1.22		
						33	4.42	1.15	4.70	1.17	4.92	1.19	5.04	1.20	5.17	1.21	5.45	1.23	5.76	1.25		
						35	4.42	1.18	4.61	1.20	4.84	1.22	5.00	1.23	5.10	1.24	5.39	1.26	5.71	1.28		
						37	4.42	1.21	4.53	1.23	4.76	1.25	4.89	1.26	5.03	1.27	5.33	1.29	5.66	1.31		
						39	4.42	1.24	4.45	1.26	4.70	1.28	4.83	1.29	4.97	1.30	5.28	1.32	5.62	1.34		
						42	4.42	1.29	4.35	1.31	4.61	1.33	4.75	1.34	4.90	1.35	5.22	1.37	5.57	1.39		
44	4.42	1.32	4.30	1.34	4.56	1.36	4.70	1.37	4.86	1.38	5.18	1.40	5.55	1.42								
46	4.42	1.35	4.24	1.38	4.52	1.39	4.67	1.40	4.82	1.41	5.16	1.43	5.53	1.45								

12. Capacity Table

Combination (Capacity Index)				Combination (Total)	Combination (%)	Outdoor Temperature (°C, DB)	Indoor Temperature(°C, WB)													
							14		16		18		19		20		22		24	
							TC(kW)	PI(kW)	TC(kW)	PI(kW)	TC(kW)	PI(kW)	TC(kW)	PI(kW)	TC(kW)	PI(kW)	TC(kW)	PI(kW)	TC(kW)	PI(kW)
3500	3500			7000	140%	10	4.42	0.87	6.23	0.89	6.35	0.91	6.42	0.92	6.50	0.94	6.68	0.95	6.90	0.97
						12	4.42	0.89	6.06	0.91	6.19	0.94	6.27	0.95	6.35	0.96	6.54	0.98	6.76	1.00
						14	4.42	0.92	5.90	0.94	6.04	0.96	6.12	0.97	6.20	0.98	6.40	1.00	6.63	1.02
						16	4.42	0.94	5.75	0.96	5.89	0.98	5.97	0.99	6.06	1.00	6.27	1.02	6.51	1.04
						18	4.42	0.96	5.60	0.98	5.75	1.01	5.84	1.02	5.93	1.03	6.15	1.04	6.40	1.06
						20	4.42	0.99	5.45	1.01	5.62	1.03	5.71	1.04	5.81	1.05	6.03	1.07	6.29	1.09
						21	4.42	1.00	5.39	1.02	5.55	1.04	5.65	1.05	5.75	1.06	5.98	1.08	6.24	1.10
						23	4.42	1.03	5.25	1.05	5.43	1.07	5.53	1.08	5.63	1.09	5.87	1.11	6.14	1.13
						25	4.42	1.05	5.13	1.07	5.31	1.09	5.42	1.10	5.53	1.11	5.77	1.13	6.05	1.15
						27	4.42	1.08	5.01	1.10	5.20	1.12	5.31	1.13	5.43	1.14	5.68	1.16	5.97	1.18
						29	4.42	1.11	4.90	1.13	5.10	1.15	5.21	1.16	5.33	1.17	5.60	1.19	5.89	1.20
						31	4.42	1.13	4.80	1.15	5.01	1.18	5.12	1.19	5.25	1.19	5.52	1.21	5.82	1.23
						33	4.42	1.16	4.70	1.18	4.92	1.20	5.04	1.21	5.17	1.22	5.45	1.24	5.76	1.26
						35	4.42	1.19	4.61	1.21	4.84	1.23	5.00	1.24	5.10	1.25	5.39	1.27	5.71	1.29
						37	4.42	1.22	4.53	1.24	4.76	1.26	4.89	1.27	5.03	1.28	5.33	1.30	5.66	1.32
						39	4.42	1.25	4.45	1.27	4.70	1.29	4.83	1.30	4.97	1.31	5.28	1.33	5.62	1.35
42	4.42	1.30	4.35	1.32	4.61	1.34	4.75	1.35	4.90	1.36	5.22	1.38	5.57	1.40						
44	4.42	1.33	4.30	1.35	4.56	1.37	4.70	1.38	4.86	1.39	5.18	1.41	5.55	1.43						
46	4.42	1.37	4.24	1.39	4.52	1.41	4.67	1.42	4.82	1.43	5.16	1.44	5.53	1.46						

NOTE

- The performance table shows the average value of each conditions.
- The above is the value for connecting with the following indoor units.
 - 2000, 2500, 3500, 5000W class : AR07TXFCawkNEU, AR09TXFCawkNEU, AR12TXFCawkNEU, AR18TXEAAwkNEU
- The total ability of connected a indoor unit is up to 7.0kW
- It is impossible to connect the indoor unit for one room only.
- This data is reference data for temperature capacity trend.

12. Capacity Table

12-2. AJ050TXJ2KG/EU

Heating

Combination (Capacity Index)				Combination (Total)	Combination (%)	Outdoor Temperature (°C,DB)	Indoor Temperature(°C, DB)															
							14		16		18		20		21		22		24			
							TC(kW)	PI(kW)	TC(kW)	PI(kW)	TC(kW)	PI(kW)	TC(kW)	PI(kW)	TC(kW)	PI(kW)	TC(kW)	PI(kW)	TC(kW)	PI(kW)		
2000				2000	40%	-15	1.43	0.70	1.39	0.71	1.35	0.72	1.33	0.72	1.31	0.73	1.28	0.73	1.26	0.74		
						-10	1.71	0.74	1.67	0.75	1.62	0.76	1.60	0.76	1.59	0.77	1.55	0.77	1.53	0.78		
						-5	2.00	0.77	1.95	0.78	1.90	0.79	1.88	0.80	1.86	0.80	1.83	0.81	1.80	0.82		
						0	2.28	0.81	2.23	0.82	2.18	0.83	2.16	0.84	2.14	0.84	2.10	0.85	2.07	0.86		
						2	2.40	0.82	2.34	0.84	2.29	0.85	2.27	0.85	2.25	0.86	2.21	0.87	2.18	0.87		
						7	2.62	0.85	2.57	0.86	2.52	0.88	2.50	0.88	2.47	0.89	2.43	0.90	2.39	0.90		
						10	2.85	0.88	2.79	0.89	2.74	0.91	2.72	0.91	2.69	0.92	2.65	0.93	2.61	0.93		
2500				2500	50%	-15	1.89	0.83	1.83	0.85	1.78	0.86	1.75	0.86	1.73	0.87	1.69	0.88	1.66	0.88		
						-10	2.26	0.88	2.20	0.89	2.14	0.90	2.12	0.91	2.09	0.91	2.05	0.92	2.02	0.93		
						-5	2.64	0.92	2.57	0.94	2.51	0.95	2.48	0.95	2.46	0.96	2.41	0.97	2.37	0.98		
						0	3.01	0.96	2.94	0.98	2.88	0.99	2.85	1.00	2.82	1.00	2.77	1.01	2.73	1.02		
						2	3.16	0.98	3.09	1.00	3.03	1.01	3.00	1.02	2.97	1.02	2.92	1.03	2.87	1.04		
						7	3.46	1.02	3.39	1.03	3.32	1.05	3.30	1.05	3.26	1.06	3.21	1.07	3.16	1.08		
						10	3.76	1.05	3.69	1.07	3.62	1.08	3.59	1.09	3.55	1.09	3.50	1.10	3.45	1.12		
3500				3500	70%	-15	2.29	1.03	2.22	1.05	2.15	1.06	2.13	1.07	2.10	1.07	2.05	1.08	2.01	1.09		
						-10	2.74	1.09	2.67	1.10	2.60	1.12	2.57	1.12	2.54	1.13	2.49	1.14	2.44	1.15		
						-5	3.20	1.14	3.12	1.16	3.04	1.17	3.01	1.18	2.98	1.19	2.92	1.20	2.88	1.21		
						0	3.65	1.19	3.57	1.21	3.49	1.23	3.46	1.24	3.42	1.24	3.36	1.26	3.31	1.27		
						2	3.83	1.22	3.75	1.23	3.67	1.25	3.63	1.26	3.60	1.27	3.54	1.28	3.48	1.29		
						7	4.20	1.26	4.11	1.28	4.03	1.29	4.00	1.30	3.95	1.31	3.89	1.32	3.83	1.34		
						10	4.56	1.30	4.47	1.32	4.38	1.34	4.35	1.35	4.31	1.35	4.24	1.37	4.18	1.38		
2000	2000			4000	80%	-15	2.52	0.80	2.44	0.81	2.37	0.83	2.34	0.83	2.31	0.83	2.26	0.84	2.21	0.85		
						-10	3.02	0.84	2.93	0.86	2.86	0.87	2.82	0.87	2.79	0.88	2.74	0.89	2.69	0.89		
						-5	3.52	0.89	3.43	0.90	3.35	0.91	3.31	0.92	3.28	0.92	3.22	0.93	3.16	0.94		
						0	4.02	0.93	3.92	0.94	3.84	0.95	3.80	0.96	3.76	0.97	3.70	0.98	3.64	0.98		
						2	4.22	0.94	4.12	0.96	4.04	0.97	4.00	0.98	3.96	0.98	3.89	0.99	3.83	1.00		
						7	4.62	0.98	4.52	0.99	4.43	1.01	4.40	1.01	4.35	1.02	4.28	1.03	4.21	1.04		
						10	5.02	1.01	4.92	1.03	4.82	1.04	4.78	1.05	4.74	1.05	4.66	1.06	4.60	1.07		
2000	2500			4500	90%	-15	2.92	1.04	2.83	1.06	2.75	1.07	2.71	1.08	2.68	1.08	2.62	1.09	2.56	1.10		
						-10	3.50	1.10	3.40	1.11	3.31	1.13	3.27	1.13	3.24	1.14	3.17	1.15	3.12	1.16		
						-5	4.08	1.15	3.97	1.17	3.88	1.18	3.84	1.19	3.80	1.20	3.73	1.21	3.67	1.22		
						0	4.66	1.20	4.55	1.22	4.45	1.24	4.41	1.25	4.36	1.25	4.29	1.27	4.22	1.28		
						2	4.89	1.23	4.78	1.24	4.68	1.26	4.63	1.27	4.59	1.27	4.51	1.29	4.44	1.30		
						7	5.35	1.27	5.24	1.29	5.13	1.30	5.10	1.31	5.04	1.32	4.96	1.33	4.89	1.35		
						10	5.82	1.31	5.70	1.33	5.59	1.35	5.54	1.36	5.49	1.36	5.41	1.38	5.33	1.39		
						15	6.40	1.36	6.28	1.38	6.16	1.40	6.11	1.41	6.06	1.42	5.97	1.43	5.88	1.45		

12. Capacity Table

Combination (Capacity Index)				Combination (Total)	Combination (%)	Outdoor Temperature (°C,DB)	Indoor Temperature(°C, DB)													
							14		16		18		20		21		22		24	
							TC(kW)	PI(kW)	TC(kW)	PI(kW)	TC(kW)	PI(kW)	TC(kW)	PI(kW)	TC(kW)	PI(kW)	TC(kW)	PI(kW)	TC(kW)	PI(kW)
2000	3500			5500	110%	-15	3.21	1.03	3.11	1.04	3.02	1.05	2.98	1.06	2.94	1.07	2.87	1.08	2.82	1.09
						-10	3.84	1.08	3.73	1.10	3.64	1.11	3.60	1.12	3.55	1.12	3.48	1.13	3.42	1.14
						-5	4.48	1.13	4.36	1.15	4.26	1.16	4.22	1.17	4.17	1.18	4.09	1.19	4.03	1.20
						0	5.11	1.19	4.99	1.20	4.89	1.22	4.84	1.23	4.79	1.23	4.71	1.25	4.63	1.26
						2	5.37	1.21	5.25	1.22	5.14	1.24	5.09	1.25	5.04	1.26	4.95	1.27	4.88	1.28
						7	5.88	1.25	5.75	1.27	5.64	1.28	5.60	1.29	5.54	1.30	5.44	1.31	5.36	1.33
						10	6.39	1.29	6.26	1.31	6.14	1.33	6.08	1.34	6.03	1.34	5.94	1.36	5.85	1.37
						15	7.03	1.34	6.89	1.36	6.77	1.38	6.71	1.39	6.65	1.40	6.55	1.41	6.46	1.43
2500	2500			5000	100%	-15	3.21	1.02	3.11	1.03	3.02	1.05	2.98	1.05	2.94	1.06	2.87	1.07	2.82	1.08
						-10	3.84	1.07	3.73	1.09	3.64	1.10	3.60	1.11	3.55	1.11	3.48	1.12	3.42	1.13
						-5	4.48	1.12	4.36	1.14	4.26	1.16	4.22	1.16	4.17	1.17	4.09	1.18	4.03	1.19
						0	5.11	1.18	4.99	1.19	4.89	1.21	4.84	1.22	4.79	1.22	4.71	1.24	4.63	1.25
						2	5.37	1.20	5.25	1.21	5.14	1.23	5.09	1.24	5.04	1.25	4.95	1.26	4.88	1.27
						7	5.88	1.24	5.75	1.26	5.64	1.27	5.60	1.28	5.54	1.29	5.44	1.30	5.36	1.32
						10	6.39	1.28	6.26	1.30	6.14	1.32	6.08	1.32	6.03	1.33	5.94	1.35	5.85	1.36
						15	7.03	1.33	6.89	1.35	6.77	1.37	6.71	1.38	6.65	1.39	6.55	1.40	6.46	1.41
2500	3500			6000	120%	-15	3.21	1.03	3.11	1.04	3.02	1.05	2.98	1.06	2.94	1.07	2.87	1.08	2.82	1.09
						-10	3.84	1.08	3.73	1.10	3.64	1.11	3.60	1.12	3.55	1.12	3.48	1.13	3.42	1.14
						-5	4.48	1.13	4.36	1.15	4.26	1.16	4.22	1.17	4.17	1.18	4.09	1.19	4.03	1.20
						0	5.11	1.19	4.99	1.20	4.89	1.22	4.84	1.23	4.79	1.23	4.71	1.25	4.63	1.26
						2	5.37	1.21	5.25	1.22	5.14	1.24	5.09	1.25	5.04	1.26	4.95	1.27	4.88	1.28
						7	5.88	1.25	5.75	1.27	5.64	1.28	5.60	1.29	5.54	1.30	5.44	1.31	5.36	1.33
						10	6.39	1.29	6.26	1.31	6.14	1.33	6.08	1.34	6.03	1.34	5.94	1.36	5.85	1.37
						15	7.03	1.34	6.89	1.36	6.77	1.38	6.71	1.39	6.65	1.40	6.55	1.41	6.46	1.43
3500	3500			7000	140%	-15	3.21	1.03	3.11	1.05	3.02	1.06	2.98	1.07	2.94	1.07	2.87	1.08	2.82	1.09
						-10	3.84	1.09	3.73	1.10	3.64	1.12	3.60	1.12	3.55	1.13	3.48	1.14	3.42	1.15
						-5	4.48	1.14	4.36	1.16	4.26	1.17	4.22	1.18	4.17	1.19	4.09	1.20	4.03	1.21
						0	5.11	1.19	4.99	1.21	4.89	1.23	4.84	1.24	4.79	1.24	4.71	1.26	4.63	1.27
						2	5.37	1.22	5.25	1.23	5.14	1.25	5.09	1.26	5.04	1.27	4.95	1.28	4.88	1.29
						7	5.88	1.26	5.75	1.28	5.64	1.29	5.60	1.30	5.54	1.31	5.44	1.32	5.36	1.34
						10	6.39	1.30	6.26	1.32	6.14	1.34	6.08	1.35	6.03	1.35	5.94	1.37	5.85	1.38
						15	7.03	1.35	6.89	1.37	6.77	1.39	6.71	1.40	6.65	1.41	6.55	1.42	6.46	1.44

NOTE

- The performance table shows the average value of each conditions.
- The above is the value for connecting with the following indoor units.
 - 2000, 2500, 3500, 5000W class : AR07TXFCawkNEU, AR09TXFCawkNEU, AR12TXFCawkNEU, AR18TXEAAwkNEU
- The total ability of connected a indoor unit is up to 7.0kW
- It is impossible to connect the indoor unit for one room only.
- This data is reference data for temperature capacity trend.

12. Capacity Table

12-3. AJ052TXJ3KG/EU

Cooling

Combination (Capacity Index)				Combination (Total)	Combination (%)	Outdoor Temperature (°C, DB)	Indoor Temperature(°C, WB)													
							14		16		18		19		20		22		24	
							TC(kW)	PI(kW)	TC(kW)	PI(kW)	TC(kW)	PI(kW)	TC(kW)	PI(kW)	TC(kW)	PI(kW)	TC(kW)	PI(kW)	TC(kW)	PI(kW)
2000				2000	38%	10	1.60	0.36	2.32	0.41	2.42	0.44	2.46	0.46	2.51	0.47	2.61	0.49	2.71	0.51
						12	1.60	0.38	2.28	0.42	2.38	0.45	2.43	0.47	2.48	0.48	2.57	0.50	2.67	0.52
						14	1.60	0.40	2.24	0.44	2.34	0.47	2.39	0.48	2.44	0.50	2.53	0.52	2.63	0.53
						16	1.60	0.41	2.21	0.45	2.30	0.48	2.35	0.50	2.40	0.51	2.50	0.53	2.59	0.54
						18	1.60	0.43	2.17	0.47	2.27	0.50	2.31	0.51	2.36	0.52	2.46	0.54	2.55	0.55
						20	1.60	0.45	2.13	0.48	2.23	0.51	2.28	0.52	2.32	0.53	2.42	0.55	2.52	0.56
						21	1.60	0.46	2.12	0.49	2.21	0.52	2.26	0.53	2.30	0.54	2.40	0.56	2.50	0.57
						23	1.60	0.48	2.08	0.51	2.17	0.53	2.22	0.55	2.27	0.56	2.36	0.57	2.46	0.58
						25	1.60	0.49	2.04	0.53	2.14	0.55	2.18	0.56	2.23	0.57	2.32	0.58	2.42	0.59
						27	1.60	0.51	2.01	0.54	2.10	0.57	2.15	0.58	2.19	0.58	2.29	0.60	2.38	0.60
						29	1.60	0.53	1.97	0.56	2.06	0.58	2.11	0.59	2.16	0.60	2.25	0.61	2.34	0.61
						31	1.60	0.55	1.94	0.58	2.03	0.60	2.07	0.61	2.12	0.61	2.21	0.62	2.30	0.62
						33	1.60	0.57	1.90	0.60	1.99	0.61	2.04	0.62	2.08	0.63	2.17	0.64	2.27	0.64
						35	1.60	0.59	1.86	0.61	1.95	0.63	2.00	0.63	2.04	0.64	2.14	0.65	2.23	0.65
						37	1.60	0.61	1.83	0.63	1.92	0.65	1.96	0.65	2.01	0.66	2.10	0.66	2.19	0.66
						39	1.60	0.63	1.79	0.65	1.88	0.67	1.93	0.67	1.97	0.68	2.06	0.68	2.15	0.68
42	1.58	0.66	1.74	0.68	1.83	0.69	1.87	0.70	1.92	0.70	2.01	0.70	2.10	0.70						
44	1.50	0.68	1.71	0.70	1.79	0.71	1.84	0.71	1.88	0.72	1.97	0.72	2.06	0.71						
46	1.46	0.70	1.67	0.72	1.76	0.73	1.80	0.73	1.84	0.73	1.93	0.73	2.02	0.72						
2500				2500	48%	10	2.00	0.46	2.90	0.51	3.02	0.55	3.08	0.57	3.14	0.59	3.26	0.62	3.39	0.64
						12	2.00	0.48	2.85	0.53	2.97	0.57	3.03	0.59	3.09	0.60	3.22	0.63	3.34	0.65
						14	2.00	0.50	2.80	0.55	2.93	0.59	2.99	0.61	3.05	0.62	3.17	0.65	3.29	0.66
						16	2.00	0.52	2.76	0.57	2.88	0.61	2.94	0.62	3.00	0.64	3.12	0.66	3.24	0.68
						18	2.00	0.54	2.71	0.59	2.83	0.62	2.89	0.64	2.95	0.65	3.07	0.68	3.19	0.69
						20	2.00	0.56	2.67	0.61	2.79	0.64	2.85	0.66	2.90	0.67	3.02	0.69	3.14	0.70
						21	2.00	0.58	2.64	0.62	2.76	0.65	2.82	0.67	2.88	0.68	3.00	0.70	3.12	0.71
						23	2.00	0.60	2.60	0.64	2.72	0.67	2.78	0.68	2.83	0.70	2.95	0.71	3.07	0.72
						25	2.00	0.62	2.55	0.66	2.67	0.69	2.73	0.70	2.79	0.71	2.91	0.73	3.02	0.74
						27	2.00	0.64	2.51	0.68	2.62	0.71	2.68	0.72	2.74	0.73	2.86	0.75	2.98	0.75
						29	2.00	0.67	2.46	0.70	2.58	0.73	2.64	0.74	2.69	0.75	2.81	0.76	2.93	0.77
						31	2.00	0.69	2.42	0.72	2.53	0.75	2.59	0.76	2.65	0.77	2.76	0.78	2.88	0.78
						33	2.00	0.71	2.37	0.75	2.49	0.77	2.54	0.78	2.60	0.79	2.72	0.80	2.83	0.80
						35	2.00	0.74	2.33	0.77	2.44	0.79	2.50	0.79	2.56	0.81	2.67	0.81	2.78	0.82
						37	2.00	0.76	2.29	0.79	2.40	0.81	2.45	0.82	2.51	0.83	2.62	0.83	2.74	0.83
						39	2.00	0.79	2.24	0.82	2.35	0.84	2.41	0.84	2.46	0.85	2.58	0.85	2.69	0.85
42	1.98	0.83	2.18	0.85	2.29	0.87	2.34	0.87	2.40	0.88	2.51	0.88	2.62	0.87						
44	1.88	0.85	2.13	0.88	2.24	0.89	2.30	0.90	2.35	0.90	2.46	0.90	2.57	0.89						
46	1.83	0.88	2.09	0.90	2.20	0.91	2.25	0.92	2.30	0.92	2.41	0.92	2.53	0.91						

12. Capacity Table

Combination (Capacity Index)				Combination (Total)	Combination (%)	Outdoor Temperature (°C, DB)	Indoor Temperature(°C, WB)															
							14		16		18		19		20		22		24			
							TC(kW)	PI(kW)	TC(kW)	PI(kW)	TC(kW)	PI(kW)	TC(kW)	PI(kW)	TC(kW)	PI(kW)	TC(kW)	PI(kW)	TC(kW)	PI(kW)		
3500	3500	67%	10	2.80	0.67	4.06	0.74	4.23	0.80	4.31	0.83	4.40	0.86	4.57	0.90	4.74	0.93					
			12	2.80	0.70	3.99	0.77	4.16	0.83	4.25	0.86	4.33	0.88	4.50	0.92	4.68	0.95					
			14	2.80	0.73	3.93	0.80	4.10	0.86	4.18	0.88	4.26	0.90	4.44	0.94	4.61	0.97					
			16	2.80	0.76	3.86	0.82	4.03	0.88	4.11	0.91	4.20	0.93	4.37	0.96	4.54	0.99					
			18	2.80	0.79	3.80	0.85	3.96	0.91	4.05	0.93	4.13	0.95	4.30	0.98	4.47	1.00					
			20	2.80	0.82	3.73	0.88	3.90	0.94	3.98	0.96	4.07	0.98	4.23	1.01	4.40	1.02					
			21	2.80	0.84	3.70	0.90	3.87	0.95	3.95	0.97	4.03	0.99	4.20	1.02	4.37	1.03					
			23	2.80	0.87	3.64	0.93	3.80	0.98	3.89	1.00	3.97	1.01	4.13	1.04	4.30	1.05					
			25	2.80	0.90	3.58	0.96	3.74	1.00	3.82	1.02	3.90	1.04	4.07	1.06	4.23	1.08					
			27	2.80	0.94	3.51	0.99	3.67	1.03	3.76	1.05	3.84	1.07	4.00	1.09	4.17	1.10					
			29	2.80	0.97	3.45	1.02	3.61	1.06	3.69	1.08	3.77	1.09	3.93	1.11	4.10	1.12					
			31	2.80	1.01	3.39	1.05	3.55	1.09	3.63	1.11	3.71	1.12	3.87	1.14	4.03	1.14					
			33	2.80	1.04	3.32	1.09	3.48	1.12	3.56	1.14	3.64	1.15	3.80	1.16	3.97	1.16					
			35	2.80	1.08	3.26	1.12	3.42	1.15	3.50	1.15	3.58	1.18	3.74	1.19	3.90	1.19					
			37	2.80	1.11	3.20	1.15	3.36	1.18	3.43	1.20	3.51	1.20	3.67	1.21	3.83	1.21					
			39	2.80	1.15	3.14	1.19	3.29	1.22	3.37	1.23	3.45	1.23	3.61	1.24	3.77	1.23					
42	2.77	1.20	3.05	1.24	3.20	1.26	3.28	1.27	3.35	1.28	3.51	1.28	3.67	1.27								
44	2.63	1.24	2.98	1.27	3.14	1.30	3.21	1.30	3.29	1.31	3.45	1.31	3.60	1.30								
46	2.56	1.28	2.92	1.31	3.07	1.33	3.15	1.34	3.23	1.34	3.38	1.34	3.54	1.32								
5000	5000	96%	10	4.00	0.94	5.79	1.04	6.04	1.13	6.16	1.17	6.28	1.21	6.53	1.27	6.78	1.31					
			12	4.00	0.98	5.70	1.08	5.94	1.17	6.07	1.21	6.19	1.24	6.43	1.30	6.68	1.34					
			14	4.00	1.02	5.61	1.12	5.85	1.21	5.97	1.24	6.09	1.27	6.34	1.33	6.58	1.36					
			16	4.00	1.07	5.52	1.16	5.76	1.24	5.88	1.28	6.00	1.31	6.24	1.36	6.48	1.39					
			18	4.00	1.11	5.43	1.20	5.66	1.28	5.78	1.31	5.90	1.34	6.14	1.39	6.39	1.42					
			20	4.00	1.16	5.34	1.24	5.57	1.32	5.69	1.35	5.81	1.37	6.05	1.42	6.29	1.44					
			21	4.00	1.18	5.29	1.27	5.53	1.34	5.64	1.37	5.76	1.39	6.00	1.43	6.24	1.46					
			23	4.00	1.23	5.20	1.31	5.43	1.38	5.55	1.40	5.67	1.43	5.91	1.46	6.14	1.49					
			25	4.00	1.27	5.11	1.35	5.34	1.42	5.46	1.44	5.57	1.46	5.81	1.50	6.05	1.52					
			27	4.00	1.32	5.02	1.40	5.25	1.46	5.37	1.48	5.48	1.50	5.72	1.53	5.95	1.55					
			29	4.00	1.37	4.93	1.44	5.16	1.50	5.27	1.52	5.39	1.54	5.62	1.56	5.86	1.58					
			31	4.00	1.42	4.84	1.49	5.07	1.54	5.18	1.56	5.30	1.58	5.53	1.60	5.76	1.61					
			33	4.00	1.47	4.75	1.53	4.98	1.58	5.09	1.60	5.20	1.62	5.43	1.64	5.66	1.64					
			35	4.00	1.52	4.66	1.58	4.89	1.62	5.00	1.62	5.11	1.66	5.34	1.67	5.57	1.67					
			37	4.00	1.57	4.57	1.63	4.79	1.67	4.91	1.68	5.02	1.70	5.25	1.71	5.47	1.70					
			39	4.00	1.62	4.48	1.67	4.70	1.71	4.82	1.73	4.93	1.74	5.15	1.75	5.38	1.74					
42	3.95	1.70	4.35	1.75	4.57	1.78	4.68	1.79	4.79	1.80	5.01	1.80	5.24	1.79								
44	3.75	1.75	4.26	1.80	4.48	1.83	4.59	1.84	4.70	1.84	4.92	1.84	5.14	1.83								
46	3.65	1.80	4.18	1.85	4.39	1.87	4.50	1.88	4.61	1.89	4.83	1.88	5.05	1.86								

12. Capacity Table

Combination (Capacity Index)				Combination (Total)	Combination (%)	Outdoor Temperature (°C, DB)	Indoor Temperature(°C, WB)													
							14		16		18		19		20		22		24	
							TC(kW)	PI(kW)	TC(kW)	PI(kW)	TC(kW)	PI(kW)	TC(kW)	PI(kW)	TC(kW)	PI(kW)	TC(kW)	PI(kW)	TC(kW)	PI(kW)
2000	2000			4000	77%	10	3.53	0.87	4.99	0.89	5.08	0.91	5.14	0.92	5.20	0.94	5.35	0.95	5.52	0.97
						12	3.53	0.89	4.85	0.91	4.95	0.94	5.01	0.95	5.08	0.96	5.23	0.98	5.41	1.00
						14	3.53	0.92	4.72	0.94	4.83	0.96	4.89	0.97	4.96	0.98	5.12	1.00	5.31	1.02
						16	3.53	0.94	4.60	0.96	4.71	0.98	4.78	0.99	4.85	1.00	5.02	1.02	5.21	1.04
						18	3.53	0.96	4.48	0.98	4.60	1.01	4.67	1.02	4.75	1.03	4.92	1.04	5.12	1.06
						20	3.53	0.99	4.36	1.01	4.49	1.03	4.57	1.04	4.65	1.05	4.83	1.07	5.03	1.09
						21	3.53	1.00	4.31	1.02	4.44	1.04	4.52	1.05	4.60	1.06	4.78	1.08	4.99	1.10
						23	3.53	1.03	4.20	1.05	4.34	1.07	4.42	1.08	4.51	1.09	4.70	1.11	4.91	1.13
						25	3.53	1.05	4.10	1.07	4.25	1.09	4.33	1.10	4.42	1.11	4.62	1.13	4.84	1.15
						27	3.53	1.08	4.01	1.10	4.16	1.12	4.25	1.13	4.34	1.14	4.55	1.16	4.78	1.18
						29	3.53	1.11	3.92	1.13	4.08	1.15	4.17	1.16	4.27	1.17	4.48	1.19	4.72	1.20
						31	3.53	1.13	3.84	1.15	4.01	1.18	4.10	1.19	4.20	1.19	4.42	1.21	4.66	1.23
						33	3.53	1.16	3.76	1.18	3.94	1.20	4.03	1.21	4.13	1.22	4.36	1.24	4.61	1.26
						35	3.53	1.19	3.69	1.21	3.87	1.23	4.00	1.24	4.08	1.25	4.31	1.27	4.57	1.29
						37	3.53	1.22	3.62	1.24	3.81	1.26	3.91	1.27	4.02	1.28	4.26	1.30	4.53	1.32
						39	3.53	1.25	3.56	1.27	3.76	1.29	3.86	1.30	3.98	1.31	4.22	1.33	4.49	1.35
						42	3.53	1.30	3.48	1.32	3.69	1.34	3.80	1.35	3.92	1.36	4.17	1.38	4.46	1.40
44	3.53	1.33	3.44	1.35	3.65	1.37	3.76	1.38	3.89	1.39	4.15	1.41	4.44	1.43						
46	3.53	1.37	3.39	1.39	3.61	1.41	3.73	1.42	3.86	1.43	4.13	1.44	4.42	1.46						
2000	2500			4500	87%	10	4.07	0.99	5.73	1.02	5.84	1.04	5.91	1.05	5.98	1.06	6.15	1.09	6.34	1.11
						12	4.07	1.02	5.58	1.04	5.69	1.06	5.76	1.08	5.84	1.09	6.02	1.11	6.22	1.13
						14	4.07	1.04	5.43	1.07	5.55	1.09	5.63	1.10	5.71	1.11	5.89	1.14	6.10	1.16
						16	4.07	1.07	5.29	1.09	5.42	1.12	5.50	1.13	5.58	1.14	5.77	1.16	5.99	1.18
						18	4.07	1.09	5.15	1.12	5.29	1.14	5.37	1.15	5.46	1.17	5.66	1.19	5.89	1.21
						20	4.07	1.12	5.02	1.15	5.17	1.17	5.25	1.18	5.34	1.19	5.55	1.22	5.79	1.24
						21	4.07	1.14	4.96	1.16	5.11	1.18	5.19	1.20	5.29	1.21	5.50	1.23	5.74	1.25
						23	4.07	1.17	4.83	1.19	4.99	1.21	5.09	1.23	5.18	1.24	5.40	1.26	5.65	1.28
						25	4.07	1.20	4.72	1.22	4.89	1.24	4.98	1.25	5.09	1.27	5.31	1.29	5.57	1.31
						27	4.07	1.23	4.61	1.25	4.79	1.27	4.89	1.28	4.99	1.30	5.23	1.32	5.49	1.34
						29	4.07	1.26	4.51	1.28	4.69	1.30	4.80	1.32	4.91	1.33	5.15	1.35	5.42	1.37
						31	4.07	1.29	4.42	1.31	4.61	1.34	4.71	1.35	4.83	1.36	5.08	1.38	5.36	1.40
						33	4.07	1.32	4.33	1.35	4.53	1.37	4.64	1.38	4.76	1.39	5.01	1.41	5.30	1.43
						35	4.07	1.36	4.24	1.38	4.45	1.40	4.60	1.41	4.69	1.42	4.96	1.45	5.25	1.47
						37	4.07	1.39	4.17	1.41	4.38	1.44	4.50	1.45	4.63	1.46	4.90	1.48	5.21	1.50
						39	4.07	1.42	4.10	1.45	4.32	1.47	4.44	1.48	4.57	1.49	4.86	1.51	5.17	1.53
						42	4.07	1.48	4.01	1.50	4.24	1.52	4.37	1.54	4.51	1.55	4.80	1.57	5.12	1.59
44	4.07	1.52	3.95	1.54	4.20	1.56	4.33	1.57	4.47	1.58	4.77	1.60	5.10	1.62						
46	4.07	1.55	3.90	1.58	4.16	1.60	4.29	1.61	4.44	1.62	4.75	1.64	5.09	1.66						

12. Capacity Table

Combination (Capacity Index)				Combination (Total)	Combination (%)	Outdoor Temperature (°C, DB)	Indoor Temperature(°C, WB)															
							14		16		18		19		20		22		24			
							TC(kW)	PI(kW)	TC(kW)	PI(kW)	TC(kW)	PI(kW)	TC(kW)	PI(kW)	TC(kW)	PI(kW)	TC(kW)	PI(kW)	TC(kW)	PI(kW)		
2000	3500			5500	106%	10	4.42	1.07	6.23	1.09	6.35	1.12	6.42	1.13	6.50	1.15	6.68	1.17	6.90	1.19		
						12	4.42	1.09	6.06	1.12	6.19	1.15	6.27	1.16	6.35	1.17	6.54	1.20	6.76	1.22		
						14	4.42	1.12	5.90	1.15	6.04	1.17	6.12	1.19	6.20	1.20	6.40	1.22	6.63	1.25		
						16	4.42	1.15	5.75	1.18	5.89	1.20	5.97	1.22	6.06	1.23	6.27	1.25	6.51	1.28		
						18	4.42	1.18	5.60	1.21	5.75	1.23	5.84	1.24	5.93	1.26	6.15	1.28	6.40	1.30		
						20	4.42	1.21	5.45	1.24	5.62	1.26	5.71	1.27	5.81	1.29	6.03	1.31	6.29	1.33		
						21	4.42	1.23	5.39	1.25	5.55	1.28	5.65	1.29	5.75	1.30	5.98	1.33	6.24	1.35		
						23	4.42	1.26	5.25	1.28	5.43	1.31	5.53	1.32	5.63	1.33	5.87	1.36	6.14	1.38		
						25	4.42	1.29	5.13	1.31	5.31	1.34	5.42	1.35	5.53	1.36	5.77	1.39	6.05	1.41		
						27	4.42	1.32	5.01	1.35	5.20	1.37	5.31	1.39	5.43	1.40	5.68	1.42	5.97	1.44		
						29	4.42	1.36	4.90	1.38	5.10	1.41	5.21	1.42	5.33	1.43	5.60	1.45	5.89	1.48		
						31	4.42	1.39	4.80	1.42	5.01	1.44	5.12	1.45	5.25	1.46	5.52	1.49	5.82	1.51		
						33	4.42	1.42	4.70	1.45	4.92	1.48	5.04	1.49	5.17	1.50	5.45	1.52	5.76	1.55		
						35	4.42	1.46	4.61	1.49	4.84	1.51	5.00	1.52	5.10	1.54	5.39	1.56	5.71	1.58		
						37	4.42	1.50	4.53	1.52	4.76	1.55	4.89	1.56	5.03	1.57	5.33	1.60	5.66	1.62		
						39	4.42	1.54	4.45	1.56	4.70	1.59	4.83	1.60	4.97	1.61	5.28	1.63	5.62	1.65		
42	4.42	1.59	4.35	1.62	4.61	1.64	4.75	1.66	4.90	1.67	5.22	1.69	5.57	1.71								
44	4.42	1.63	4.30	1.66	4.56	1.68	4.70	1.70	4.86	1.71	5.18	1.73	5.55	1.75								
46	4.42	1.67	4.24	1.70	4.52	1.72	4.67	1.74	4.82	1.75	5.16	1.77	5.53	1.79								
2000	5000			7000	135%	10	4.60	1.08	6.48	1.11	6.61	1.14	6.68	1.15	6.76	1.16	6.95	1.19	7.17	1.21		
						12	4.60	1.11	6.31	1.14	6.44	1.16	6.52	1.18	6.60	1.19	6.80	1.21	7.03	1.24		
						14	4.60	1.14	6.14	1.16	6.28	1.19	6.36	1.20	6.45	1.22	6.66	1.24	6.90	1.26		
						16	4.60	1.17	5.97	1.19	6.12	1.22	6.21	1.23	6.31	1.24	6.52	1.27	6.77	1.29		
						18	4.60	1.20	5.82	1.22	5.98	1.25	6.07	1.26	6.17	1.27	6.40	1.30	6.65	1.32		
						20	4.60	1.23	5.67	1.25	5.84	1.28	5.94	1.29	6.04	1.30	6.28	1.33	6.54	1.35		
						21	4.60	1.24	5.60	1.27	5.77	1.29	5.87	1.31	5.98	1.32	6.22	1.34	6.49	1.37		
						23	4.60	1.27	5.47	1.30	5.65	1.33	5.75	1.34	5.86	1.35	6.11	1.37	6.39	1.40		
						25	4.60	1.31	5.34	1.33	5.53	1.36	5.63	1.37	5.75	1.38	6.01	1.41	6.29	1.43		
						27	4.60	1.34	5.21	1.37	5.41	1.39	5.52	1.40	5.64	1.42	5.91	1.44	6.21	1.46		
						29	4.60	1.37	5.10	1.40	5.31	1.42	5.42	1.44	5.55	1.45	5.82	1.47	6.13	1.50		
						31	4.60	1.41	4.99	1.43	5.21	1.46	5.33	1.47	5.46	1.48	5.74	1.51	6.06	1.53		
						33	4.60	1.44	4.89	1.47	5.12	1.50	5.24	1.51	5.38	1.52	5.67	1.54	5.99	1.57		
						35	4.60	1.48	4.80	1.51	5.03	1.53	5.20	1.54	5.30	1.56	5.60	1.58	5.94	1.60		
						37	4.60	1.52	4.71	1.54	4.95	1.57	5.09	1.58	5.23	1.59	5.54	1.62	5.89	1.64		
						39	4.60	1.56	4.63	1.58	4.89	1.61	5.02	1.62	5.17	1.63	5.49	1.65	5.84	1.68		
42	4.60	1.61	4.53	1.64	4.79	1.67	4.94	1.68	5.09	1.69	5.43	1.71	5.79	1.73								
44	4.60	1.66	4.47	1.68	4.74	1.71	4.89	1.72	5.05	1.73	5.39	1.75	5.77	1.77								
46	4.60	1.70	4.41	1.72	4.70	1.75	4.85	1.76	5.02	1.77	5.37	1.79	5.75	1.81								

12. Capacity Table

Combination (Capacity Index)			Combination (Total)	Combination (%)	Outdoor Temperature (°C, DB)	Indoor Temperature(°C, WB)													
						14		16		18		19		20		22		24	
						TC(kW)	PI(kW)	TC(kW)	PI(kW)	TC(kW)	PI(kW)	TC(kW)	PI(kW)	TC(kW)	PI(kW)	TC(kW)	PI(kW)	TC(kW)	PI(kW)
2500	2500		5000	96%	10	4.42	0.81	6.23	0.84	6.35	0.86	6.42	0.87	6.50	0.87	6.68	0.89	6.90	0.91
					12	4.42	0.84	6.06	0.86	6.19	0.88	6.27	0.89	6.35	0.89	6.54	0.91	6.76	0.93
					14	4.42	0.86	5.90	0.88	6.04	0.90	6.12	0.91	6.20	0.92	6.40	0.93	6.63	0.95
					16	4.42	0.88	5.75	0.90	5.89	0.92	5.97	0.93	6.06	0.94	6.27	0.96	6.51	0.97
					18	4.42	0.90	5.60	0.92	5.75	0.94	5.84	0.95	5.93	0.96	6.15	0.98	6.40	1.00
					20	4.42	0.92	5.45	0.94	5.62	0.96	5.71	0.97	5.81	0.98	6.03	1.00	6.29	1.02
					21	4.42	0.94	5.39	0.96	5.55	0.97	5.65	0.98	5.75	0.99	5.98	1.01	6.24	1.03
					23	4.42	0.96	5.25	0.98	5.43	1.00	5.53	1.01	5.63	1.02	5.87	1.04	6.14	1.05
					25	4.42	0.98	5.13	1.00	5.31	1.02	5.42	1.03	5.53	1.04	5.77	1.06	6.05	1.08
					27	4.42	1.01	5.01	1.03	5.20	1.05	5.31	1.06	5.43	1.07	5.68	1.08	5.97	1.10
					29	4.42	1.03	4.90	1.05	5.10	1.07	5.21	1.08	5.33	1.09	5.60	1.11	5.89	1.13
					31	4.42	1.06	4.80	1.08	5.01	1.10	5.12	1.11	5.25	1.12	5.52	1.14	5.82	1.15
					33	4.42	1.09	4.70	1.11	4.92	1.13	5.04	1.14	5.17	1.14	5.45	1.16	5.76	1.18
					35	4.42	1.12	4.61	1.13	4.84	1.15	5.00	1.16	5.10	1.17	5.39	1.19	5.71	1.21
					37	4.42	1.14	4.53	1.16	4.76	1.18	4.89	1.19	5.03	1.20	5.33	1.22	5.66	1.23
					39	4.42	1.17	4.45	1.19	4.70	1.21	4.83	1.22	4.97	1.23	5.28	1.25	5.62	1.26
42	4.42	1.22	4.35	1.24	4.61	1.25	4.75	1.26	4.90	1.27	5.22	1.29	5.57	1.31					
44	4.42	1.25	4.30	1.27	4.56	1.28	4.70	1.29	4.86	1.30	5.18	1.32	5.55	1.34					
46	4.42	1.28	4.24	1.30	4.52	1.32	4.67	1.32	4.82	1.33	5.16	1.35	5.53	1.37					
2500	3500		6000	115%	10	4.42	1.06	6.23	1.09	6.35	1.11	6.42	1.13	6.50	1.14	6.68	1.16	6.90	1.19
					12	4.42	1.09	6.06	1.11	6.19	1.14	6.27	1.15	6.35	1.16	6.54	1.19	6.76	1.21
					14	4.42	1.11	5.90	1.14	6.04	1.17	6.12	1.18	6.20	1.19	6.40	1.22	6.63	1.24
					16	4.42	1.14	5.75	1.17	5.89	1.20	5.97	1.21	6.06	1.22	6.27	1.24	6.51	1.27
					18	4.42	1.17	5.60	1.20	5.75	1.22	5.84	1.24	5.93	1.25	6.15	1.27	6.40	1.30
					20	4.42	1.20	5.45	1.23	5.62	1.25	5.71	1.27	5.81	1.28	6.03	1.30	6.29	1.32
					21	4.42	1.22	5.39	1.24	5.55	1.27	5.65	1.28	5.75	1.29	5.98	1.32	6.24	1.34
					23	4.42	1.25	5.25	1.27	5.43	1.30	5.53	1.31	5.63	1.32	5.87	1.35	6.14	1.37
					25	4.42	1.28	5.13	1.31	5.31	1.33	5.42	1.34	5.53	1.36	5.77	1.38	6.05	1.40
					27	4.42	1.31	5.01	1.34	5.20	1.36	5.31	1.38	5.43	1.39	5.68	1.41	5.97	1.43
					29	4.42	1.35	4.90	1.37	5.10	1.40	5.21	1.41	5.33	1.42	5.60	1.44	5.89	1.47
					31	4.42	1.38	4.80	1.41	5.01	1.43	5.12	1.44	5.25	1.46	5.52	1.48	5.82	1.50
					33	4.42	1.42	4.70	1.44	4.92	1.47	5.04	1.48	5.17	1.49	5.45	1.51	5.76	1.53
					35	4.42	1.45	4.61	1.48	4.84	1.50	5.00	1.51	5.10	1.53	5.39	1.55	5.71	1.57
					37	4.42	1.49	4.53	1.51	4.76	1.54	4.89	1.55	5.03	1.56	5.33	1.58	5.66	1.61
					39	4.42	1.53	4.45	1.55	4.70	1.58	4.83	1.59	4.97	1.60	5.28	1.62	5.62	1.64
42	4.42	1.58	4.35	1.61	4.61	1.63	4.75	1.64	4.90	1.66	5.22	1.68	5.57	1.70					
44	4.42	1.62	4.30	1.65	4.56	1.67	4.70	1.68	4.86	1.70	5.18	1.72	5.55	1.74					
46	4.42	1.66	4.24	1.69	4.52	1.71	4.67	1.72	4.82	1.74	5.16	1.76	5.53	1.78					

12. Capacity Table

Combination (Capacity Index)				Combination (Total)	Combination (%)	Outdoor Temperature (°C, DB)	Indoor Temperature(°C, WB)															
							14		16		18		19		20		22		24			
							TC(kW)	PI(kW)	TC(kW)	PI(kW)	TC(kW)	PI(kW)	TC(kW)	PI(kW)	TC(kW)	PI(kW)	TC(kW)	PI(kW)	TC(kW)	PI(kW)		
2500	5000			7500	144%	10	4.60	1.08	6.48	1.11	6.61	1.14	6.68	1.15	6.76	1.16	6.95	1.19	7.17	1.21		
						12	4.60	1.11	6.31	1.14	6.44	1.16	6.52	1.18	6.60	1.19	6.80	1.21	7.03	1.24		
						14	4.60	1.14	6.14	1.16	6.28	1.19	6.36	1.20	6.45	1.22	6.66	1.24	6.90	1.26		
						16	4.60	1.17	5.97	1.19	6.12	1.22	6.21	1.23	6.31	1.24	6.52	1.27	6.77	1.29		
						18	4.60	1.20	5.82	1.22	5.98	1.25	6.07	1.26	6.17	1.27	6.40	1.30	6.65	1.32		
						20	4.60	1.23	5.67	1.25	5.84	1.28	5.94	1.29	6.04	1.30	6.28	1.33	6.54	1.35		
						21	4.60	1.24	5.60	1.27	5.77	1.29	5.87	1.31	5.98	1.32	6.22	1.34	6.49	1.37		
						23	4.60	1.27	5.47	1.30	5.65	1.33	5.75	1.34	5.86	1.35	6.11	1.37	6.39	1.40		
						25	4.60	1.31	5.34	1.33	5.53	1.36	5.63	1.37	5.75	1.38	6.01	1.41	6.29	1.43		
						27	4.60	1.34	5.21	1.37	5.41	1.39	5.52	1.40	5.64	1.42	5.91	1.44	6.21	1.46		
						29	4.60	1.37	5.10	1.40	5.31	1.42	5.42	1.44	5.55	1.45	5.82	1.47	6.13	1.50		
						31	4.60	1.41	4.99	1.43	5.21	1.46	5.33	1.47	5.46	1.48	5.74	1.51	6.06	1.53		
						33	4.60	1.44	4.89	1.47	5.12	1.50	5.24	1.51	5.38	1.52	5.67	1.54	5.99	1.57		
						35	4.60	1.48	4.80	1.51	5.03	1.53	5.20	1.54	5.30	1.56	5.60	1.58	5.94	1.60		
						37	4.60	1.52	4.71	1.54	4.95	1.57	5.09	1.58	5.23	1.59	5.54	1.62	5.89	1.64		
						39	4.60	1.56	4.63	1.58	4.89	1.61	5.02	1.62	5.17	1.63	5.49	1.65	5.84	1.68		
42	4.60	1.61	4.53	1.64	4.79	1.67	4.94	1.68	5.09	1.69	5.43	1.71	5.79	1.73								
44	4.60	1.66	4.47	1.68	4.74	1.71	4.89	1.72	5.05	1.73	5.39	1.75	5.77	1.77								
46	4.60	1.70	4.41	1.72	4.70	1.75	4.85	1.76	5.02	1.77	5.37	1.79	5.75	1.81								
3500	3500			7000	135%	10	4.60	1.08	6.48	1.11	6.61	1.14	6.68	1.15	6.76	1.16	6.95	1.19	7.17	1.21		
						12	4.60	1.11	6.31	1.14	6.44	1.16	6.52	1.18	6.60	1.19	6.80	1.21	7.03	1.24		
						14	4.60	1.14	6.14	1.16	6.28	1.19	6.36	1.20	6.45	1.22	6.66	1.24	6.90	1.26		
						16	4.60	1.17	5.97	1.19	6.12	1.22	6.21	1.23	6.31	1.24	6.52	1.27	6.77	1.29		
						18	4.60	1.20	5.82	1.22	5.98	1.25	6.07	1.26	6.17	1.27	6.40	1.30	6.65	1.32		
						20	4.60	1.23	5.67	1.25	5.84	1.28	5.94	1.29	6.04	1.30	6.28	1.33	6.54	1.35		
						21	4.60	1.24	5.60	1.27	5.77	1.29	5.87	1.31	5.98	1.32	6.22	1.34	6.49	1.37		
						23	4.60	1.27	5.47	1.30	5.65	1.33	5.75	1.34	5.86	1.35	6.11	1.37	6.39	1.40		
						25	4.60	1.31	5.34	1.33	5.53	1.36	5.63	1.37	5.75	1.38	6.01	1.41	6.29	1.43		
						27	4.60	1.34	5.21	1.37	5.41	1.39	5.52	1.40	5.64	1.42	5.91	1.44	6.21	1.46		
						29	4.60	1.37	5.10	1.40	5.31	1.42	5.42	1.44	5.55	1.45	5.82	1.47	6.13	1.50		
						31	4.60	1.41	4.99	1.43	5.21	1.46	5.33	1.47	5.46	1.48	5.74	1.51	6.06	1.53		
						33	4.60	1.44	4.89	1.47	5.12	1.50	5.24	1.51	5.38	1.52	5.67	1.54	5.99	1.57		
						35	4.60	1.48	4.80	1.51	5.03	1.53	5.20	1.54	5.30	1.56	5.60	1.58	5.94	1.60		
						37	4.60	1.52	4.71	1.54	4.95	1.57	5.09	1.58	5.23	1.59	5.54	1.62	5.89	1.64		
						39	4.60	1.56	4.63	1.58	4.89	1.61	5.02	1.62	5.17	1.63	5.49	1.65	5.84	1.68		
42	4.60	1.61	4.53	1.64	4.79	1.67	4.94	1.68	5.09	1.69	5.43	1.71	5.79	1.73								
44	4.60	1.66	4.47	1.68	4.74	1.71	4.89	1.72	5.05	1.73	5.39	1.75	5.77	1.77								
46	4.60	1.70	4.41	1.72	4.70	1.75	4.85	1.76	5.02	1.77	5.37	1.79	5.75	1.81								

12. Capacity Table

Combination (Capacity Index)			Combination (Total)	Combination (%)	Outdoor Temperature (°C, DB)	Indoor Temperature(°C, WB)													
						14		16		18		19		20		22		24	
						TC(kW)	PI(kW)	TC(kW)	PI(kW)	TC(kW)	PI(kW)	TC(kW)	PI(kW)	TC(kW)	PI(kW)	TC(kW)	PI(kW)	TC(kW)	PI(kW)
2000	2000	2000	6000	115%	10	4.60	1.05	6.48	1.08	6.61	1.11	6.68	1.12	6.76	1.13	6.95	1.16	7.17	1.18
					12	4.60	1.08	6.31	1.11	6.44	1.13	6.52	1.14	6.60	1.16	6.80	1.18	7.03	1.20
					14	4.60	1.11	6.14	1.13	6.28	1.16	6.36	1.17	6.45	1.18	6.66	1.21	6.90	1.23
					16	4.60	1.14	5.97	1.16	6.12	1.19	6.21	1.20	6.31	1.21	6.52	1.24	6.77	1.26
					18	4.60	1.16	5.82	1.19	5.98	1.22	6.07	1.23	6.17	1.24	6.40	1.26	6.65	1.29
					20	4.60	1.19	5.67	1.22	5.84	1.25	5.94	1.26	6.04	1.27	6.28	1.29	6.54	1.32
					21	4.60	1.21	5.60	1.24	5.77	1.26	5.87	1.27	5.98	1.28	6.22	1.31	6.49	1.33
					23	4.60	1.24	5.47	1.27	5.65	1.29	5.75	1.30	5.86	1.32	6.11	1.34	6.39	1.36
					25	4.60	1.27	5.34	1.30	5.53	1.32	5.63	1.33	5.75	1.35	6.01	1.37	6.29	1.39
					27	4.60	1.30	5.21	1.33	5.41	1.35	5.52	1.37	5.64	1.38	5.91	1.40	6.21	1.42
					29	4.60	1.34	5.10	1.36	5.31	1.39	5.42	1.40	5.55	1.41	5.82	1.43	6.13	1.46
					31	4.60	1.37	4.99	1.40	5.21	1.42	5.33	1.43	5.46	1.45	5.74	1.47	6.06	1.49
					33	4.60	1.41	4.89	1.43	5.12	1.46	5.24	1.47	5.38	1.48	5.67	1.50	5.99	1.52
					35	4.60	1.44	4.80	1.47	5.03	1.49	5.20	1.50	5.30	1.52	5.60	1.54	5.94	1.56
					37	4.60	1.48	4.71	1.50	4.95	1.53	5.09	1.54	5.23	1.55	5.54	1.57	5.89	1.60
					39	4.60	1.52	4.63	1.54	4.89	1.56	5.02	1.58	5.17	1.59	5.49	1.61	5.84	1.63
42	4.60	1.57	4.53	1.60	4.79	1.62	4.94	1.63	5.09	1.65	5.43	1.67	5.79	1.69					
44	4.60	1.61	4.47	1.64	4.74	1.66	4.89	1.67	5.05	1.68	5.39	1.71	5.77	1.73					
46	4.60	1.65	4.41	1.68	4.70	1.70	4.85	1.71	5.02	1.72	5.37	1.75	5.75	1.77					
2000	2000	2500	6500	125%	10	4.60	1.07	6.48	1.10	6.61	1.13	6.68	1.14	6.76	1.15	6.95	1.18	7.17	1.20
					12	4.60	1.10	6.31	1.13	6.44	1.16	6.52	1.17	6.60	1.18	6.80	1.20	7.03	1.23
					14	4.60	1.13	6.14	1.16	6.28	1.18	6.36	1.20	6.45	1.21	6.66	1.23	6.90	1.26
					16	4.60	1.16	5.97	1.19	6.12	1.21	6.21	1.22	6.31	1.24	6.52	1.26	6.77	1.28
					18	4.60	1.19	5.82	1.21	5.98	1.24	6.07	1.25	6.17	1.27	6.40	1.29	6.65	1.31
					20	4.60	1.22	5.67	1.24	5.84	1.27	5.94	1.28	6.04	1.30	6.28	1.32	6.54	1.34
					21	4.60	1.23	5.60	1.26	5.77	1.29	5.87	1.30	5.98	1.31	6.22	1.33	6.49	1.36
					23	4.60	1.26	5.47	1.29	5.65	1.32	5.75	1.33	5.86	1.34	6.11	1.37	6.39	1.39
					25	4.60	1.30	5.34	1.32	5.53	1.35	5.63	1.36	5.75	1.37	6.01	1.40	6.29	1.42
					27	4.60	1.33	5.21	1.36	5.41	1.38	5.52	1.39	5.64	1.41	5.91	1.43	6.21	1.45
					29	4.60	1.36	5.10	1.39	5.31	1.42	5.42	1.43	5.55	1.44	5.82	1.46	6.13	1.49
					31	4.60	1.40	4.99	1.42	5.21	1.45	5.33	1.46	5.46	1.47	5.74	1.50	6.06	1.52
					33	4.60	1.43	4.89	1.46	5.12	1.49	5.24	1.50	5.38	1.51	5.67	1.53	5.99	1.56
					35	4.60	1.47	4.80	1.50	5.03	1.52	5.20	1.53	5.30	1.55	5.60	1.57	5.94	1.59
					37	4.60	1.51	4.71	1.53	4.95	1.56	5.09	1.57	5.23	1.58	5.54	1.61	5.89	1.63
					39	4.60	1.55	4.63	1.57	4.89	1.60	5.02	1.61	5.17	1.62	5.49	1.64	5.84	1.67
42	4.60	1.60	4.53	1.63	4.79	1.65	4.94	1.67	5.09	1.68	5.43	1.70	5.79	1.72					
44	4.60	1.64	4.47	1.67	4.74	1.69	4.89	1.71	5.05	1.72	5.39	1.74	5.77	1.76					
46	4.60	1.69	4.41	1.71	4.70	1.73	4.85	1.75	5.02	1.76	5.37	1.78	5.75	1.80					

12. Capacity Table

Combination (Capacity Index)				Combination (Total)	Combination (%)	Outdoor Temperature (°C, DB)	Indoor Temperature(°C, WB)															
							14		16		18		19		20		22		24			
							TC(kW)	PI(kW)	TC(kW)	PI(kW)	TC(kW)	PI(kW)	TC(kW)	PI(kW)	TC(kW)	PI(kW)	TC(kW)	PI(kW)	TC(kW)	PI(kW)		
2000	2000	3500	7500	144%	10	4.60	1.00	6.48	1.02	6.61	1.05	6.68	1.06	6.76	1.07	6.95	1.09	7.17	1.12			
					12	4.60	1.02	6.31	1.05	6.44	1.07	6.52	1.08	6.60	1.10	6.80	1.12	7.03	1.14			
					14	4.60	1.05	6.14	1.07	6.28	1.10	6.36	1.11	6.45	1.12	6.66	1.14	6.90	1.17			
					16	4.60	1.07	5.97	1.10	6.12	1.12	6.21	1.14	6.31	1.15	6.52	1.17	6.77	1.19			
					18	4.60	1.10	5.82	1.13	5.98	1.15	6.07	1.16	6.17	1.17	6.40	1.20	6.65	1.22			
					20	4.60	1.13	5.67	1.16	5.84	1.18	5.94	1.19	6.04	1.20	6.28	1.22	6.54	1.25			
					21	4.60	1.14	5.60	1.17	5.77	1.19	5.87	1.20	5.98	1.22	6.22	1.24	6.49	1.26			
					23	4.60	1.17	5.47	1.20	5.65	1.22	5.75	1.23	5.86	1.25	6.11	1.27	6.39	1.29			
					25	4.60	1.20	5.34	1.23	5.53	1.25	5.63	1.26	5.75	1.27	6.01	1.30	6.29	1.32			
					27	4.60	1.23	5.21	1.26	5.41	1.28	5.52	1.29	5.64	1.31	5.91	1.33	6.21	1.35			
					29	4.60	1.27	5.10	1.29	5.31	1.31	5.42	1.33	5.55	1.34	5.82	1.36	6.13	1.38			
					31	4.60	1.30	4.99	1.32	5.21	1.35	5.33	1.36	5.46	1.37	5.74	1.39	6.06	1.41			
					33	4.60	1.33	4.89	1.36	5.12	1.38	5.24	1.39	5.38	1.40	5.67	1.42	5.99	1.44			
					35	4.60	1.36	4.80	1.39	5.03	1.41	5.20	1.42	5.30	1.43	5.60	1.46	5.94	1.48			
					37	4.60	1.40	4.71	1.42	4.95	1.45	5.09	1.46	5.23	1.47	5.54	1.49	5.89	1.51			
					39	4.60	1.43	4.63	1.46	4.89	1.48	5.02	1.49	5.17	1.50	5.49	1.52	5.84	1.55			
42	4.60	1.49	4.53	1.51	4.79	1.54	4.94	1.55	5.09	1.56	5.43	1.58	5.79	1.60								
44	4.60	1.53	4.47	1.55	4.74	1.57	4.89	1.58	5.05	1.59	5.39	1.62	5.77	1.64								
46	4.60	1.56	4.41	1.59	4.70	1.61	4.85	1.62	5.02	1.63	5.37	1.65	5.75	1.67								
2000	2500	2500	7000	135%	10	4.60	0.98	6.48	1.00	6.61	1.03	6.68	1.04	6.76	1.05	6.95	1.07	7.17	1.09			
					12	4.60	1.00	6.31	1.03	6.44	1.05	6.52	1.06	6.60	1.07	6.80	1.09	7.03	1.12			
					14	4.60	1.03	6.14	1.05	6.28	1.07	6.36	1.09	6.45	1.10	6.66	1.12	6.90	1.14			
					16	4.60	1.05	5.97	1.08	6.12	1.10	6.21	1.11	6.31	1.12	6.52	1.15	6.77	1.17			
					18	4.60	1.08	5.82	1.10	5.98	1.13	6.07	1.14	6.17	1.15	6.40	1.17	6.65	1.19			
					20	4.60	1.11	5.67	1.13	5.84	1.15	5.94	1.17	6.04	1.18	6.28	1.20	6.54	1.22			
					21	4.60	1.12	5.60	1.14	5.77	1.17	5.87	1.18	5.98	1.19	6.22	1.21	6.49	1.23			
					23	4.60	1.15	5.47	1.17	5.65	1.20	5.75	1.21	5.86	1.22	6.11	1.24	6.39	1.26			
					25	4.60	1.18	5.34	1.20	5.53	1.23	5.63	1.24	5.75	1.25	6.01	1.27	6.29	1.29			
					27	4.60	1.21	5.21	1.23	5.41	1.26	5.52	1.27	5.64	1.28	5.91	1.30	6.21	1.32			
					29	4.60	1.24	5.10	1.26	5.31	1.29	5.42	1.30	5.55	1.31	5.82	1.33	6.13	1.35			
					31	4.60	1.27	4.99	1.29	5.21	1.32	5.33	1.33	5.46	1.34	5.74	1.36	6.06	1.38			
					33	4.60	1.30	4.89	1.33	5.12	1.35	5.24	1.36	5.38	1.37	5.67	1.39	5.99	1.41			
					35	4.60	1.34	4.80	1.36	5.03	1.38	5.20	1.39	5.30	1.40	5.60	1.43	5.94	1.45			
					37	4.60	1.37	4.71	1.39	4.95	1.42	5.09	1.43	5.23	1.44	5.54	1.46	5.89	1.48			
					39	4.60	1.40	4.63	1.43	4.89	1.45	5.02	1.46	5.17	1.47	5.49	1.49	5.84	1.51			
42	4.60	1.46	4.53	1.48	4.79	1.50	4.94	1.51	5.09	1.52	5.43	1.55	5.79	1.57								
44	4.60	1.49	4.47	1.52	4.74	1.54	4.89	1.55	5.05	1.56	5.39	1.58	5.77	1.60								
46	4.60	1.53	4.41	1.55	4.70	1.58	4.85	1.59	5.02	1.60	5.37	1.62	5.75	1.64								

12. Capacity Table

Combination (Capacity Index)			Combination (Total)	Combination (%)	Outdoor Temperature (°C, DB)	Indoor Temperature(°C, WB)													
						14		16		18		19		20		22		24	
						TC(kW)	PI(kW)	TC(kW)	PI(kW)	TC(kW)	PI(kW)	TC(kW)	PI(kW)	TC(kW)	PI(kW)	TC(kW)	PI(kW)	TC(kW)	PI(kW)
2000	2500	3500	8000	154%	10	5.85	1.00	6.08	1.02	6.31	1.04	6.43	1.05	6.55	1.06	6.79	1.08	7.03	1.10
					12	5.75	1.02	5.98	1.04	6.21	1.07	6.33	1.08	6.45	1.09	6.69	1.11	6.93	1.13
					14	5.64	1.05	5.87	1.07	6.11	1.09	6.23	1.10	6.35	1.11	6.59	1.14	6.83	1.16
					16	5.54	1.08	5.77	1.10	6.01	1.12	6.13	1.13	6.25	1.14	6.49	1.16	6.73	1.19
					18	5.44	1.11	5.67	1.13	5.91	1.15	6.03	1.16	6.15	1.17	6.39	1.19	6.63	1.22
					20	5.34	1.13	5.57	1.16	5.81	1.18	5.93	1.19	6.05	1.20	6.29	1.22	6.54	1.24
					21	5.29	1.15	5.52	1.17	5.76	1.19	5.88	1.20	6.00	1.22	6.24	1.24	6.49	1.26
					23	5.19	1.18	5.42	1.20	5.66	1.22	5.78	1.23	5.90	1.25	6.14	1.27	6.39	1.29
					25	5.09	1.21	5.32	1.23	5.56	1.25	5.68	1.26	5.80	1.28	6.04	1.30	6.29	1.32
					27	4.99	1.24	5.23	1.26	5.46	1.28	5.58	1.30	5.70	1.31	5.95	1.33	6.19	1.35
					29	4.89	1.27	5.13	1.29	5.36	1.32	5.48	1.33	5.60	1.34	5.85	1.36	6.10	1.38
					31	4.79	1.30	5.03	1.32	5.27	1.35	5.39	1.36	5.51	1.37	5.75	1.39	6.00	1.41
					33	4.69	1.33	4.93	1.36	5.17	1.38	5.29	1.39	5.41	1.40	5.65	1.42	5.90	1.45
					35	4.60	1.37	4.83	1.39	5.07	1.41	5.20	1.42	5.31	1.43	5.56	1.46	5.81	1.48
					37	4.50	1.40	4.73	1.42	4.97	1.44	5.09	1.46	5.22	1.47	5.46	1.49	5.71	1.51
					39	4.40	1.43	4.64	1.46	4.88	1.48	5.00	1.49	5.12	1.50	5.36	1.52	5.61	1.55
42	4.25	1.48	4.49	1.51	4.73	1.53	4.85	1.54	4.97	1.55	5.22	1.58	5.47	1.60					
44	4.16	1.52	4.39	1.54	4.63	1.56	4.76	1.58	4.88	1.59	5.13	1.61	5.38	1.64					
46	4.06	1.55	4.30	1.58	4.54	1.60	4.66	1.61	4.78	1.62	5.03	1.65	5.28	1.67					
2500	2500	2500	7500	144%	10	5.85	0.95	6.08	0.97	6.31	0.99	6.43	1.00	6.55	1.01	6.79	1.03	7.03	1.05
					12	5.75	0.97	5.98	0.99	6.21	1.01	6.33	1.02	6.45	1.03	6.69	1.05	6.93	1.07
					14	5.64	1.00	5.87	1.02	6.11	1.04	6.23	1.05	6.35	1.06	6.59	1.08	6.83	1.10
					16	5.54	1.02	5.77	1.05	6.01	1.07	6.13	1.08	6.25	1.09	6.49	1.11	6.73	1.13
					18	5.44	1.05	5.67	1.07	5.91	1.09	6.03	1.10	6.15	1.11	6.39	1.13	6.63	1.16
					20	5.34	1.08	5.57	1.10	5.81	1.12	5.93	1.13	6.05	1.14	6.29	1.16	6.54	1.18
					21	5.29	1.09	5.52	1.11	5.76	1.13	5.88	1.14	6.00	1.16	6.24	1.18	6.49	1.20
					23	5.19	1.12	5.42	1.14	5.66	1.16	5.78	1.17	5.90	1.18	6.14	1.20	6.39	1.23
					25	5.09	1.15	5.32	1.17	5.56	1.19	5.68	1.20	5.80	1.21	6.04	1.23	6.29	1.25
					27	4.99	1.18	5.23	1.20	5.46	1.22	5.58	1.23	5.70	1.24	5.95	1.26	6.19	1.28
					29	4.89	1.21	5.13	1.23	5.36	1.25	5.48	1.26	5.60	1.27	5.85	1.29	6.10	1.31
					31	4.79	1.24	5.03	1.26	5.27	1.28	5.39	1.29	5.51	1.30	5.75	1.32	6.00	1.35
					33	4.69	1.27	4.93	1.29	5.17	1.31	5.29	1.32	5.41	1.33	5.65	1.35	5.90	1.38
					35	4.60	1.30	4.83	1.32	5.07	1.34	5.20	1.35	5.31	1.36	5.56	1.39	5.81	1.41
					37	4.50	1.33	4.73	1.35	4.97	1.37	5.09	1.38	5.22	1.40	5.46	1.42	5.71	1.44
					39	4.40	1.36	4.64	1.38	4.88	1.41	5.00	1.42	5.12	1.43	5.36	1.45	5.61	1.47
42	4.25	1.41	4.49	1.43	4.73	1.45	4.85	1.47	4.97	1.48	5.22	1.50	5.47	1.52					
44	4.16	1.44	4.39	1.47	4.63	1.49	4.76	1.50	4.88	1.51	5.13	1.53	5.38	1.56					
46	4.06	1.48	4.30	1.50	4.54	1.52	4.66	1.53	4.78	1.54	5.03	1.57	5.28	1.59					

12. Capacity Table

Combination (Capacity Index)				Combination (Total)	Combination (%)	Outdoor Temperature (°C,DB)	Indoor Temperature(°C, WB)													
							14		16		18		19		20		22		24	
							TC(kW)	PI(kW)	TC(kW)	PI(kW)	TC(kW)	PI(kW)	TC(kW)	PI(kW)	TC(kW)	PI(kW)	TC(kW)	PI(kW)	TC(kW)	PI(kW)
2500	2500	3500		8500	163%	10	5.85	0.88	6.08	0.90	6.31	0.91	6.43	0.92	6.55	0.93	6.79	0.95	7.03	0.97
						12	5.75	0.90	5.98	0.92	6.21	0.94	6.33	0.95	6.45	0.96	6.69	0.98	6.93	0.99
						14	5.64	0.92	5.87	0.94	6.11	0.96	6.23	0.97	6.35	0.98	6.59	1.00	6.83	1.02
						16	5.54	0.95	5.77	0.97	6.01	0.99	6.13	1.00	6.25	1.01	6.49	1.03	6.73	1.04
						18	5.44	0.97	5.67	0.99	5.91	1.01	6.03	1.02	6.15	1.03	6.39	1.05	6.63	1.07
						20	5.34	1.00	5.57	1.02	5.81	1.04	5.93	1.05	6.05	1.06	6.29	1.08	6.54	1.10
						21	5.29	1.01	5.52	1.03	5.76	1.05	5.88	1.06	6.00	1.07	6.24	1.09	6.49	1.11
						23	5.19	1.04	5.42	1.06	5.66	1.08	5.78	1.09	5.90	1.10	6.14	1.12	6.39	1.14
						25	5.09	1.06	5.32	1.08	5.56	1.10	5.68	1.11	5.80	1.12	6.04	1.14	6.29	1.16
						27	4.99	1.09	5.23	1.11	5.46	1.13	5.58	1.14	5.70	1.15	5.95	1.17	6.19	1.19
						29	4.89	1.12	5.13	1.14	5.36	1.16	5.48	1.17	5.60	1.18	5.85	1.20	6.10	1.22
						31	4.79	1.15	5.03	1.17	5.27	1.19	5.39	1.20	5.51	1.21	5.75	1.23	6.00	1.25
						33	4.69	1.17	4.93	1.19	5.17	1.21	5.29	1.22	5.41	1.23	5.65	1.25	5.90	1.27
						35	4.60	1.20	4.83	1.22	5.07	1.24	5.20	1.25	5.31	1.26	5.56	1.28	5.81	1.30
						37	4.50	1.23	4.73	1.25	4.97	1.27	5.09	1.28	5.22	1.29	5.46	1.31	5.71	1.33
						39	4.40	1.26	4.64	1.28	4.88	1.30	5.00	1.31	5.12	1.32	5.36	1.34	5.61	1.36
42	4.25	1.31	4.49	1.33	4.73	1.35	4.85	1.36	4.97	1.37	5.22	1.39	5.47	1.41						
44	4.16	1.34	4.39	1.36	4.63	1.38	4.76	1.39	4.88	1.40	5.13	1.42	5.38	1.44						
46	4.06	1.37	4.30	1.39	4.54	1.41	4.66	1.42	4.78	1.43	5.03	1.45	5.28	1.47						

NOTE

- Cooling capacity is based on 27°CDB / 19°CWB (indoor temperature), 35°CDB (outdoor temperature).
- Heating capacity is based on 20°CDB (indoor temperature), 7°CDB/6°CWB (outdoor temperature).
- The above is the value for connecting with the following indoor units.
 - 2000, 2500, 3500, 5000W class : AR07TXFCawkNEU, AR09TXFCawkNEU, AR12TXFCawkNEU, AR18TXEAAwkNEU
- Capacities are based on the following conditions:
 - Corresponding refrigerant piping length : 5m / - Level difference : 0m
- The total ability of connected a indoor unit is up to 7.5kW
- It is impossible to connect the indoor unit for one room only.
- This data is reference data for temperature capacity trend.

12. Capacity Table

12-3. AJ052TXJ3KG/EU

Heating

Combination (Capacity Index)				Combination (Total)	Combination (%)	Outdoor Temperature (°C, DB)	Indoor Temperature(°C, DB)													
							14		16		18		20		21		22		24	
							TC(kW)	PI(kW)	TC(kW)	PI(kW)	TC(kW)	PI(kW)	TC(kW)	PI(kW)	TC(kW)	PI(kW)	TC(kW)	PI(kW)	TC(kW)	PI(kW)
2000				2000	38%	-15	1.26	0.72	1.22	0.73	1.18	0.74	1.17	0.75	1.15	0.75	1.13	0.76	1.11	0.77
						-10	1.51	0.76	1.47	0.77	1.43	0.78	1.41	0.79	1.40	0.79	1.37	0.80	1.34	0.81
						-5	1.76	0.80	1.71	0.81	1.67	0.82	1.66	0.83	1.64	0.83	1.61	0.84	1.58	0.85
						0	2.01	0.84	1.96	0.85	1.92	0.86	1.90	0.87	1.88	0.87	1.85	0.88	1.82	0.89
						2	2.11	0.85	2.06	0.86	2.02	0.88	2.00	0.88	1.98	0.89	1.95	0.89	1.92	0.90
						7	2.31	0.88	2.26	0.89	2.21	0.91	2.20	0.91	2.17	0.92	2.14	0.93	2.11	0.93
						10	2.51	0.91	2.46	0.92	2.41	0.94	2.39	0.94	2.37	0.95	2.33	0.96	2.30	0.97
2500				2500	48%	-15	1.89	0.91	1.83	0.93	1.78	0.94	1.75	0.95	1.73	0.95	1.69	0.96	1.66	0.97
						-10	2.26	0.96	2.20	0.98	2.14	0.99	2.12	1.00	2.09	1.00	2.05	1.01	2.02	1.02
						-5	2.64	1.01	2.57	1.02	2.51	1.04	2.48	1.04	2.46	1.05	2.41	1.06	2.37	1.07
						0	3.01	1.06	2.94	1.07	2.88	1.09	2.85	1.09	2.82	1.10	2.77	1.11	2.73	1.12
						2	3.16	1.08	3.09	1.09	3.03	1.11	3.00	1.11	2.97	1.12	2.92	1.13	2.87	1.14
						7	3.46	1.11	3.39	1.13	3.32	1.14	3.30	1.15	3.26	1.16	3.21	1.17	3.16	1.18
						10	3.76	1.15	3.69	1.17	3.62	1.18	3.59	1.19	3.55	1.20	3.50	1.21	3.45	1.22
3500				3500	67%	-15	2.29	1.07	2.22	1.09	2.15	1.10	2.13	1.11	2.10	1.12	2.05	1.13	2.01	1.14
						-10	2.74	1.13	2.67	1.15	2.60	1.16	2.57	1.17	2.54	1.17	2.49	1.19	2.44	1.20
						-5	3.20	1.19	3.12	1.20	3.04	1.22	3.01	1.23	2.98	1.23	2.92	1.25	2.88	1.26
						0	3.65	1.24	3.57	1.26	3.49	1.28	3.46	1.28	3.42	1.29	3.36	1.30	3.31	1.32
						2	3.83	1.26	3.75	1.28	3.67	1.30	3.63	1.31	3.60	1.31	3.54	1.33	3.48	1.34
						7	4.20	1.31	4.11	1.33	4.03	1.34	4.00	1.35	3.95	1.36	3.89	1.37	3.83	1.39
						10	4.56	1.35	4.47	1.37	4.38	1.39	4.35	1.40	4.31	1.41	4.24	1.42	4.18	1.43
5000				5000	96%	-15	3.21	1.45	3.11	1.47	3.02	1.49	2.98	1.50	2.94	1.50	2.87	1.52	2.82	1.53
						-10	3.84	1.52	3.73	1.55	3.64	1.57	3.60	1.57	3.55	1.58	3.48	1.60	3.42	1.61
						-5	4.48	1.60	4.36	1.62	4.26	1.64	4.22	1.65	4.17	1.66	4.09	1.68	4.03	1.69
						0	5.11	1.67	4.99	1.70	4.89	1.72	4.84	1.73	4.79	1.74	4.71	1.76	4.63	1.77
						2	5.37	1.70	5.25	1.73	5.14	1.75	5.09	1.76	5.04	1.77	4.95	1.79	4.88	1.81
						7	5.88	1.76	5.75	1.79	5.64	1.81	5.60	1.82	5.54	1.83	5.44	1.85	5.36	1.87
						10	6.39	1.82	6.26	1.85	6.14	1.87	6.08	1.88	6.03	1.89	5.94	1.92	5.85	1.93
2000	2000			4000	77%	-15	2.52	0.97	2.44	0.98	2.37	1.00	2.34	1.00	2.31	1.01	2.26	1.02	2.21	1.03
						-10	3.02	1.02	2.93	1.04	2.86	1.05	2.82	1.06	2.79	1.06	2.74	1.07	2.69	1.08
						-5	3.52	1.07	3.43	1.09	3.35	1.10	3.31	1.11	3.28	1.11	3.22	1.13	3.16	1.14
						0	4.02	1.12	3.92	1.14	3.84	1.15	3.80	1.16	3.76	1.17	3.70	1.18	3.64	1.19
						2	4.22	1.14	4.12	1.16	4.04	1.17	4.00	1.18	3.96	1.19	3.89	1.20	3.83	1.21
						7	4.62	1.18	4.52	1.20	4.43	1.21	4.40	1.22	4.35	1.23	4.28	1.24	4.21	1.25
						10	5.02	1.22	4.92	1.24	4.82	1.25	4.78	1.26	4.74	1.27	4.66	1.28	4.60	1.30
						15	5.52	1.27	5.41	1.29	5.32	1.31	5.27	1.31	5.23	1.32	5.15	1.34	5.08	1.35

12. Capacity Table

Combination (Capacity Index)				Combination (Total)	Combination (%)	Outdoor Temperature (°C, DB)	Indoor Temperature(°C, DB)															
							14		16		18		20		21		22		24			
							TC(kW)	PI(kW)	TC(kW)	PI(kW)	TC(kW)	PI(kW)	TC(kW)	PI(kW)	TC(kW)	PI(kW)	TC(kW)	PI(kW)	TC(kW)	PI(kW)		
2000	2500			4500	87%	-15	2.92	1.12	2.83	1.14	2.75	1.15	2.71	1.16	2.68	1.17	2.62	1.18	2.56	1.19		
						-10	3.50	1.18	3.40	1.20	3.31	1.21	3.27	1.22	3.24	1.23	3.17	1.24	3.12	1.25		
						-5	4.08	1.24	3.97	1.26	3.88	1.27	3.84	1.28	3.80	1.29	3.73	1.30	3.67	1.31		
						0	4.66	1.30	4.55	1.31	4.45	1.33	4.41	1.34	4.36	1.35	4.29	1.36	4.22	1.37		
						2	4.89	1.32	4.78	1.34	4.68	1.36	4.63	1.36	4.59	1.37	4.51	1.39	4.44	1.40		
						7	5.35	1.36	5.24	1.38	5.13	1.40	5.10	1.41	5.04	1.42	4.96	1.44	4.89	1.45		
						10	5.82	1.41	5.70	1.43	5.59	1.45	5.54	1.46	5.49	1.47	5.41	1.48	5.33	1.50		
2000	3500			5500	106%	-15	3.21	1.22	3.11	1.24	3.02	1.26	2.98	1.27	2.94	1.27	2.87	1.29	2.82	1.30		
						-10	3.84	1.29	3.73	1.31	3.64	1.32	3.60	1.33	3.55	1.34	3.48	1.35	3.42	1.36		
						-5	4.48	1.35	4.36	1.37	4.26	1.39	4.22	1.40	4.17	1.41	4.09	1.42	4.03	1.43		
						0	5.11	1.42	4.99	1.44	4.89	1.46	4.84	1.46	4.79	1.47	4.71	1.49	4.63	1.50		
						2	5.37	1.44	5.25	1.46	5.14	1.48	5.09	1.49	5.04	1.50	4.95	1.51	4.88	1.53		
						7	5.88	1.49	5.75	1.51	5.64	1.53	5.60	1.54	5.54	1.55	5.44	1.57	5.36	1.58		
						10	6.39	1.54	6.26	1.56	6.14	1.58	6.08	1.59	6.03	1.60	5.94	1.62	5.85	1.64		
2000	5000			7000	135%	-15	3.43	1.32	3.33	1.34	3.23	1.36	3.19	1.36	3.15	1.37	3.08	1.39	3.02	1.40		
						-10	4.11	1.39	4.00	1.41	3.90	1.43	3.85	1.44	3.81	1.44	3.73	1.46	3.67	1.47		
						-5	4.80	1.46	4.67	1.48	4.57	1.50	4.52	1.51	4.47	1.52	4.39	1.53	4.31	1.54		
						0	5.48	1.53	5.35	1.55	5.24	1.57	5.18	1.58	5.13	1.59	5.04	1.60	4.97	1.62		
						2	5.75	1.55	5.62	1.58	5.50	1.60	5.45	1.61	5.40	1.62	5.31	1.63	5.23	1.65		
						7	6.30	1.61	6.16	1.63	6.04	1.65	6.00	1.66	5.93	1.67	5.83	1.69	5.75	1.71		
						10	6.84	1.66	6.70	1.68	6.58	1.71	6.52	1.72	6.46	1.73	6.36	1.75	6.27	1.76		
2500	2500			5000	96%	-15	3.32	1.27	3.22	1.29	3.12	1.31	3.08	1.32	3.04	1.32	2.97	1.34	2.92	1.35		
						-10	3.98	1.34	3.87	1.36	3.77	1.38	3.72	1.38	3.68	1.39	3.61	1.41	3.54	1.42		
						-5	4.64	1.40	4.52	1.43	4.41	1.44	4.37	1.45	4.32	1.46	4.24	1.48	4.17	1.49		
						0	5.29	1.47	5.17	1.49	5.06	1.51	5.01	1.52	4.96	1.53	4.88	1.55	4.80	1.56		
						2	5.56	1.50	5.43	1.52	5.32	1.54	5.27	1.55	5.22	1.56	5.13	1.57	5.05	1.59		
						7	6.09	1.55	5.96	1.57	5.84	1.59	5.80	1.60	5.73	1.61	5.64	1.63	5.56	1.64		
						10	6.62	1.60	6.48	1.62	6.36	1.65	6.30	1.66	6.25	1.67	6.15	1.68	6.06	1.70		
2500	3500			6000	115%	-15	3.32	1.27	3.22	1.29	3.12	1.31	3.08	1.32	3.04	1.32	2.97	1.34	2.92	1.35		
						-10	3.98	1.34	3.87	1.36	3.77	1.38	3.72	1.38	3.68	1.39	3.61	1.41	3.54	1.42		
						-5	4.64	1.40	4.52	1.43	4.41	1.44	4.37	1.45	4.32	1.46	4.24	1.48	4.17	1.49		
						0	5.29	1.47	5.17	1.49	5.06	1.51	5.01	1.52	4.96	1.53	4.88	1.55	4.80	1.56		
						2	5.56	1.50	5.43	1.52	5.32	1.54	5.27	1.55	5.22	1.56	5.13	1.57	5.05	1.59		
						7	6.09	1.55	5.96	1.57	5.84	1.59	5.80	1.60	5.73	1.61	5.64	1.63	5.56	1.64		
						10	6.62	1.60	6.48	1.62	6.36	1.65	6.30	1.66	6.25	1.67	6.15	1.68	6.06	1.70		
2500	5000			7500	144%	-15	3.61	1.38	3.49	1.40	3.39	1.42	3.35	1.43	3.31	1.44	3.23	1.45	3.17	1.46		
						-10	4.32	1.46	4.20	1.48	4.09	1.50	4.04	1.51	4.00	1.51	3.92	1.53	3.85	1.54		
						-5	5.03	1.53	4.91	1.55	4.79	1.57	4.74	1.58	4.69	1.59	4.61	1.61	4.53	1.62		
						0	5.75	1.60	5.62	1.62	5.50	1.64	5.44	1.65	5.39	1.66	5.30	1.68	5.21	1.70		
						2	6.04	1.63	5.90	1.65	5.78	1.67	5.72	1.68	5.67	1.69	5.57	1.71	5.49	1.73		
						7	6.61	1.68	6.47	1.71	6.34	1.73	6.30	1.74	6.23	1.75	6.12	1.77	6.03	1.79		
						10	7.19	1.74	7.04	1.77	6.91	1.79	6.84	1.80	6.79	1.81	6.68	1.83	6.58	1.85		
15	7.91	1.81	7.75	1.84	7.61	1.86	7.55	1.87	7.49	1.88	7.37	1.91	7.27	1.92								

12. Capacity Table

Combination (Capacity Index)				Combination (Total)	Combination (%)	Outdoor Temperature (°C, DB)	Indoor Temperature(°C, DB)													
							14		16		18		20		21		22		24	
							TC(kW)	PI(kW)	TC(kW)	PI(kW)	TC(kW)	PI(kW)	TC(kW)	PI(kW)	TC(kW)	PI(kW)	TC(kW)	PI(kW)	TC(kW)	PI(kW)
3500	3500		7000	135%	-15	3.38	1.30	3.27	1.32	3.18	1.33	3.14	1.34	3.10	1.35	3.03	1.36	2.97	1.37	
					-10	4.05	1.36	3.93	1.38	3.83	1.40	3.79	1.41	3.75	1.42	3.67	1.43	3.60	1.44	
					-5	4.72	1.43	4.60	1.45	4.49	1.47	4.44	1.48	4.40	1.49	4.31	1.50	4.24	1.52	
					0	5.39	1.50	5.26	1.52	5.15	1.54	5.10	1.55	5.05	1.56	4.96	1.57	4.88	1.59	
					2	5.65	1.52	5.53	1.55	5.41	1.57	5.36	1.58	5.31	1.59	5.22	1.60	5.14	1.62	
					7	6.19	1.58	6.06	1.60	5.94	1.62	5.90	1.63	5.83	1.64	5.74	1.66	5.65	1.67	
					10	6.73	1.63	6.59	1.65	6.47	1.68	6.41	1.69	6.35	1.70	6.25	1.72	6.16	1.73	
					15	7.40	1.70	7.26	1.72	7.13	1.74	7.07	1.75	7.01	1.77	6.90	1.78	6.81	1.80	
2000	2000	2000	6000	115%	-15	3.32	1.26	3.22	1.28	3.12	1.30	3.08	1.31	3.04	1.31	2.97	1.33	2.92	1.34	
					-10	3.98	1.33	3.87	1.35	3.77	1.37	3.72	1.38	3.68	1.38	3.61	1.40	3.54	1.41	
					-5	4.64	1.40	4.52	1.42	4.41	1.44	4.37	1.44	4.32	1.45	4.24	1.47	4.17	1.48	
					0	5.29	1.46	5.17	1.48	5.06	1.50	5.01	1.51	4.96	1.52	4.88	1.54	4.80	1.55	
					2	5.56	1.49	5.43	1.51	5.32	1.53	5.27	1.54	5.22	1.55	5.13	1.56	5.05	1.58	
					7	6.09	1.54	5.96	1.56	5.84	1.58	5.80	1.59	5.73	1.60	5.64	1.62	5.56	1.63	
					10	6.62	1.59	6.48	1.61	6.36	1.64	6.30	1.65	6.25	1.66	6.15	1.67	6.06	1.69	
					15	7.28	1.65	7.14	1.68	7.01	1.70	6.95	1.71	6.89	1.72	6.79	1.74	6.69	1.76	
2000	2000	2500	6500	125%	-15	3.38	1.31	3.27	1.33	3.18	1.35	3.14	1.36	3.10	1.36	3.03	1.38	2.97	1.39	
					-10	4.05	1.38	3.93	1.40	3.83	1.42	3.79	1.43	3.75	1.44	3.67	1.45	3.60	1.46	
					-5	4.72	1.45	4.60	1.47	4.49	1.49	4.44	1.50	4.40	1.51	4.31	1.52	4.24	1.54	
					0	5.39	1.52	5.26	1.54	5.15	1.56	5.10	1.57	5.05	1.58	4.96	1.59	4.88	1.61	
					2	5.65	1.54	5.53	1.57	5.41	1.59	5.36	1.60	5.31	1.61	5.22	1.62	5.14	1.64	
					7	6.19	1.60	6.06	1.62	5.94	1.64	5.90	1.65	5.83	1.66	5.74	1.68	5.65	1.70	
					10	6.73	1.65	6.59	1.67	6.47	1.70	6.41	1.71	6.35	1.72	6.25	1.74	6.16	1.75	
					15	7.40	1.72	7.26	1.74	7.13	1.77	7.07	1.78	7.01	1.79	6.90	1.81	6.81	1.82	
2000	2000	3500	7500	144%	-15	3.61	1.32	3.49	1.34	3.39	1.36	3.35	1.36	3.31	1.37	3.23	1.39	3.17	1.40	
					-10	4.32	1.39	4.20	1.41	4.09	1.43	4.04	1.44	4.00	1.44	3.92	1.46	3.85	1.47	
					-5	5.03	1.46	4.91	1.48	4.79	1.50	4.74	1.51	4.69	1.52	4.61	1.53	4.53	1.54	
					0	5.75	1.53	5.62	1.55	5.50	1.57	5.44	1.58	5.39	1.59	5.30	1.60	5.21	1.62	
					2	6.04	1.55	5.90	1.58	5.78	1.60	5.72	1.61	5.67	1.62	5.57	1.63	5.49	1.65	
					7	6.61	1.61	6.47	1.63	6.34	1.65	6.30	1.66	6.23	1.67	6.12	1.69	6.03	1.71	
					10	7.19	1.66	7.04	1.68	6.91	1.71	6.84	1.72	6.79	1.73	6.68	1.75	6.58	1.76	
					15	7.91	1.73	7.75	1.75	7.61	1.78	7.55	1.79	7.49	1.80	7.37	1.82	7.27	1.84	
2000	2500	2500	7000	135%	-15	3.43	1.26	3.33	1.28	3.23	1.30	3.19	1.31	3.15	1.31	3.08	1.33	3.02	1.34	
					-10	4.11	1.33	4.00	1.35	3.90	1.37	3.85	1.38	3.81	1.38	3.73	1.40	3.67	1.41	
					-5	4.80	1.40	4.67	1.42	4.57	1.44	4.52	1.44	4.47	1.45	4.39	1.47	4.31	1.48	
					0	5.48	1.46	5.35	1.48	5.24	1.50	5.18	1.51	5.13	1.52	5.04	1.54	4.97	1.55	
					2	5.75	1.49	5.62	1.51	5.50	1.53	5.45	1.54	5.40	1.55	5.31	1.56	5.23	1.58	
					7	6.30	1.54	6.16	1.56	6.04	1.58	6.00	1.59	5.93	1.60	5.83	1.62	5.75	1.63	
					10	6.84	1.59	6.70	1.61	6.58	1.64	6.52	1.65	6.46	1.66	6.36	1.67	6.27	1.69	
					15	7.53	1.65	7.38	1.68	7.25	1.70	7.19	1.71	7.13	1.72	7.02	1.74	6.92	1.76	
2000	2500	3500	8000	154%	-15	3.61	1.30	3.49	1.32	3.39	1.33	3.35	1.34	3.31	1.35	3.23	1.36	3.17	1.37	
					-10	4.32	1.36	4.20	1.38	4.09	1.40	4.04	1.41	4.00	1.42	3.92	1.43	3.85	1.44	
					-5	5.03	1.43	4.91	1.45	4.79	1.47	4.74	1.48	4.69	1.49	4.61	1.50	4.53	1.52	
					0	5.75	1.50	5.62	1.52	5.50	1.54	5.44	1.55	5.39	1.56	5.30	1.57	5.21	1.59	
					2	6.04	1.52	5.90	1.55	5.78	1.57	5.72	1.58	5.67	1.59	5.57	1.60	5.49	1.62	
					7	6.61	1.58	6.47	1.60	6.34	1.62	6.30	1.63	6.23	1.64	6.12	1.66	6.03	1.67	
					10	7.19	1.63	7.04	1.65	6.91	1.68	6.84	1.69	6.79	1.70	6.68	1.72	6.58	1.73	
					15	7.91	1.70	7.75	1.72	7.61	1.74	7.55	1.75	7.49	1.77	7.37	1.78	7.27	1.80	

12. Capacity Table

Combination (Capacity Index)				Combination (Total)	Combination (%)	Outdoor Temperature (°C, DB)	Indoor Temperature(°C, DB)													
							14		16		18		20		21		22		24	
							TC(kW)	PI(kW)	TC(kW)	PI(kW)	TC(kW)	PI(kW)	TC(kW)	PI(kW)	TC(kW)	PI(kW)	TC(kW)	PI(kW)	TC(kW)	PI(kW)
2500	2500	2500	7500	144%	-15	3.61	1.11	3.49	1.13	3.39	1.14	3.35	1.15	3.31	1.16	3.23	1.17	3.17	1.18	
					-10	4.32	1.17	4.20	1.19	4.09	1.20	4.04	1.21	4.00	1.22	3.92	1.23	3.85	1.24	
					-5	5.03	1.23	4.91	1.25	4.79	1.26	4.74	1.27	4.69	1.28	4.61	1.29	4.53	1.30	
					0	5.75	1.29	5.62	1.31	5.50	1.32	5.44	1.33	5.39	1.34	5.30	1.35	5.21	1.36	
					2	6.04	1.31	5.90	1.33	5.78	1.35	5.72	1.35	5.67	1.36	5.57	1.38	5.49	1.39	
					7	6.61	1.35	6.47	1.37	6.34	1.39	6.30	1.40	6.23	1.41	6.12	1.43	6.03	1.44	
					10	7.19	1.40	7.04	1.42	6.91	1.44	6.84	1.45	6.79	1.46	6.68	1.47	6.58	1.49	
2500	2500	3500	8500	163%	-15	3.61	1.05	3.49	1.06	3.39	1.08	3.35	1.09	3.31	1.09	3.23	1.10	3.17	1.11	
					-10	4.32	1.10	4.20	1.12	4.09	1.14	4.04	1.14	4.00	1.15	3.92	1.16	3.85	1.17	
					-5	5.03	1.16	4.91	1.18	4.79	1.19	4.74	1.20	4.69	1.21	4.61	1.22	4.53	1.23	
					0	5.75	1.21	5.62	1.23	5.50	1.25	5.44	1.25	5.39	1.26	5.30	1.28	5.21	1.29	
					2	6.04	1.23	5.90	1.25	5.78	1.27	5.72	1.28	5.67	1.28	5.57	1.30	5.49	1.31	
					7	6.61	1.28	6.47	1.30	6.34	1.31	6.30	1.32	6.23	1.33	6.12	1.34	6.03	1.36	
					10	7.19	1.32	7.04	1.34	6.91	1.36	6.84	1.37	6.79	1.37	6.68	1.39	6.58	1.40	
15	7.91	1.37	7.75	1.39	7.61	1.41	7.55	1.42	7.49	1.43	7.37	1.45	7.27	1.46						

NOTE

- Cooling capacity is based on 27°CDB / 19°CWB (indoor temperature), 35°CDB (outdoor temperature).
- Heating capacity is based on 20°CDB (indoor temperature), 7°CDB/6°CWB (outdoor temperature).
- The above is the value for connecting with the following indoor units.
 - 2000, 2500, 3500, 5000W class : AR07TXFCAWKNEU, AR09TXFCAWKNEU, AR12TXFCAWKNEU, AR18TXEAAWKNEU
- Capacities are based on the following conditions:
 - Corresponding refrigerant piping length : 5m / - Level difference : 0m
- The total ability of connected a indoor unit is up to 7.5kW
- It is impossible to connect the indoor unit for one room only.
- This data is reference data for temperature capacity trend.

12. Capacity Table

12-4. AJ068TXJ3KG/EU

Cooling

Combination (Capacity Index)			Combination (Total)	Combination (%)	Outdoor Temperature (°C, DB)	Indoor Temperature(°C, WB)															
						14		16		18		19		20		22		24			
						TC(kW)	PI(kW)	TC(kW)	PI(kW)	TC(kW)	PI(kW)	TC(kW)	PI(kW)	TC(kW)	PI(kW)	TC(kW)	PI(kW)	TC(kW)	PI(kW)		
2000			2000	29%	10	1.60	0.36	2.32	0.41	2.42	0.44	2.46	0.46	2.51	0.47	2.61	0.49	2.71	0.51		
					12	1.60	0.38	2.28	0.42	2.38	0.45	2.43	0.47	2.48	0.48	2.57	0.50	2.67	0.52	2.77	0.53
					14	1.60	0.40	2.24	0.44	2.34	0.47	2.39	0.48	2.44	0.50	2.53	0.52	2.63	0.53	2.73	0.54
					16	1.60	0.41	2.21	0.45	2.30	0.48	2.35	0.50	2.40	0.51	2.50	0.53	2.59	0.54	2.69	0.55
					18	1.60	0.43	2.17	0.47	2.27	0.50	2.31	0.51	2.36	0.52	2.46	0.54	2.55	0.55	2.65	0.56
					20	1.60	0.45	2.13	0.48	2.23	0.51	2.28	0.52	2.32	0.53	2.42	0.55	2.52	0.56	2.62	0.57
					21	1.60	0.46	2.12	0.49	2.21	0.52	2.26	0.53	2.30	0.54	2.40	0.56	2.50	0.57	2.60	0.58
					23	1.60	0.48	2.08	0.51	2.17	0.53	2.22	0.55	2.27	0.56	2.36	0.57	2.46	0.58	2.56	0.59
					25	1.60	0.49	2.04	0.53	2.14	0.55	2.18	0.56	2.23	0.57	2.32	0.58	2.42	0.59	2.52	0.60
					27	1.60	0.51	2.01	0.54	2.10	0.57	2.15	0.58	2.19	0.58	2.29	0.60	2.38	0.61	2.48	0.62
					29	1.60	0.53	1.97	0.56	2.06	0.58	2.11	0.59	2.16	0.60	2.25	0.61	2.34	0.62	2.44	0.63
					31	1.60	0.55	1.94	0.58	2.03	0.60	2.07	0.61	2.12	0.61	2.21	0.62	2.30	0.63	2.40	0.64
					33	1.60	0.57	1.90	0.60	1.99	0.61	2.04	0.62	2.08	0.63	2.17	0.64	2.27	0.65	2.37	0.66
					35	1.60	0.59	1.86	0.61	1.95	0.63	2.00	0.63	2.04	0.64	2.14	0.65	2.23	0.66	2.33	0.67
					37	1.60	0.61	1.83	0.63	1.92	0.65	1.96	0.65	2.01	0.66	2.10	0.66	2.19	0.67	2.29	0.68
					39	1.60	0.63	1.79	0.65	1.88	0.67	1.93	0.67	1.97	0.68	2.06	0.68	2.15	0.69	2.25	0.70
42	1.58	0.66	1.74	0.68	1.83	0.69	1.87	0.70	1.92	0.70	2.01	0.70	2.10	0.71	2.20	0.72					
44	1.50	0.68	1.71	0.70	1.79	0.71	1.84	0.71	1.88	0.72	1.97	0.72	2.06	0.73	2.16	0.74					
46	1.46	0.70	1.67	0.72	1.76	0.73	1.80	0.73	1.84	0.73	1.93	0.73	2.02	0.74	2.12	0.75					
2500			2500	37%	10	2.00	0.46	2.90	0.51	3.02	0.55	3.08	0.57	3.14	0.59	3.26	0.62	3.39	0.64		
					12	2.00	0.48	2.85	0.53	2.97	0.57	3.03	0.59	3.09	0.60	3.22	0.63	3.34	0.65	3.44	0.66
					14	2.00	0.50	2.80	0.55	2.93	0.59	2.99	0.61	3.05	0.62	3.17	0.65	3.29	0.66	3.39	0.67
					16	2.00	0.52	2.76	0.57	2.88	0.61	2.94	0.62	3.00	0.64	3.12	0.66	3.24	0.68	3.34	0.69
					18	2.00	0.54	2.71	0.59	2.83	0.62	2.89	0.64	2.95	0.65	3.07	0.68	3.19	0.69	3.29	0.70
					20	2.00	0.56	2.67	0.61	2.79	0.64	2.85	0.66	2.90	0.67	3.02	0.69	3.14	0.70	3.24	0.71
					21	2.00	0.58	2.64	0.62	2.76	0.65	2.82	0.67	2.88	0.68	3.00	0.70	3.12	0.71	3.22	0.72
					23	2.00	0.60	2.60	0.64	2.72	0.67	2.78	0.68	2.83	0.70	2.95	0.71	3.07	0.72	3.17	0.73
					25	2.00	0.62	2.55	0.66	2.67	0.69	2.73	0.70	2.79	0.71	2.91	0.73	3.02	0.74	3.12	0.75
					27	2.00	0.64	2.51	0.68	2.62	0.71	2.68	0.72	2.74	0.73	2.86	0.75	2.98	0.75	3.08	0.76
					29	2.00	0.67	2.46	0.70	2.58	0.73	2.64	0.74	2.69	0.75	2.81	0.76	2.93	0.77	3.03	0.78
					31	2.00	0.69	2.42	0.72	2.53	0.75	2.59	0.76	2.65	0.77	2.76	0.78	2.88	0.78	2.98	0.79
					33	2.00	0.71	2.37	0.75	2.49	0.77	2.54	0.78	2.60	0.79	2.72	0.80	2.83	0.80	2.93	0.81
					35	2.00	0.74	2.33	0.77	2.44	0.79	2.50	0.79	2.56	0.81	2.67	0.81	2.78	0.82	2.88	0.83
					37	2.00	0.76	2.29	0.79	2.40	0.81	2.45	0.82	2.51	0.83	2.62	0.83	2.74	0.83	2.84	0.84
					39	2.00	0.79	2.24	0.82	2.35	0.84	2.41	0.84	2.46	0.85	2.58	0.85	2.69	0.85	2.79	0.86
42	1.98	0.83	2.18	0.85	2.29	0.87	2.34	0.87	2.40	0.88	2.51	0.88	2.62	0.87	2.72	0.88					
44	1.88	0.85	2.13	0.88	2.24	0.89	2.30	0.90	2.35	0.90	2.46	0.90	2.57	0.89	2.68	0.89					
46	1.83	0.88	2.09	0.90	2.20	0.91	2.25	0.92	2.30	0.92	2.41	0.92	2.53	0.91	2.64	0.90					

12. Capacity Table

Combination (Capacity Index)			Combination (Total)	Combination (%)	Outdoor Temperature (°C,DB)	Indoor Temperature(°C, WB)													
						14		16		18		19		20		22		24	
						TC(kW)	PI(kW)	TC(kW)	PI(kW)	TC(kW)	PI(kW)	TC(kW)	PI(kW)	TC(kW)	PI(kW)	TC(kW)	PI(kW)	TC(kW)	PI(kW)
3500			3500	51%	10	2.80	0.62	4.06	0.69	4.23	0.75	4.31	0.77	4.40	0.80	4.57	0.84	4.74	0.87
					12	2.80	0.65	3.99	0.71	4.16	0.77	4.25	0.80	4.33	0.82	4.50	0.86	4.68	0.88
					14	2.80	0.68	3.93	0.74	4.10	0.80	4.18	0.82	4.26	0.84	4.44	0.88	4.61	0.90
					16	2.80	0.70	3.86	0.77	4.03	0.82	4.11	0.84	4.20	0.86	4.37	0.90	4.54	0.92
					18	2.80	0.73	3.80	0.79	3.96	0.84	4.05	0.87	4.13	0.89	4.30	0.92	4.47	0.94
					20	2.80	0.76	3.73	0.82	3.90	0.87	3.98	0.89	4.07	0.91	4.23	0.94	4.40	0.95
					21	2.80	0.78	3.70	0.84	3.87	0.88	3.95	0.90	4.03	0.92	4.20	0.95	4.37	0.96
					23	2.80	0.81	3.64	0.86	3.80	0.91	3.89	0.93	3.97	0.94	4.13	0.97	4.30	0.98
					25	2.80	0.84	3.58	0.89	3.74	0.93	3.82	0.95	3.90	0.97	4.07	0.99	4.23	1.00
					27	2.80	0.87	3.51	0.92	3.67	0.96	3.76	0.98	3.84	0.99	4.00	1.01	4.17	1.02
					29	2.80	0.90	3.45	0.95	3.61	0.99	3.69	1.00	3.77	1.02	3.93	1.03	4.10	1.04
					31	2.80	0.94	3.39	0.98	3.55	1.02	3.63	1.03	3.71	1.04	3.87	1.06	4.03	1.06
					33	2.80	0.97	3.32	1.01	3.48	1.04	3.56	1.06	3.64	1.07	3.80	1.08	3.97	1.08
					35	2.80	1.00	3.26	1.04	3.42	1.07	3.50	1.07	3.58	1.09	3.74	1.10	3.90	1.10
					37	2.80	1.03	3.20	1.07	3.36	1.10	3.43	1.11	3.51	1.12	3.67	1.13	3.83	1.13
					39	2.80	1.07	3.14	1.11	3.29	1.13	3.37	1.14	3.45	1.15	3.61	1.15	3.77	1.15
42	2.77	1.12	3.05	1.15	3.20	1.18	3.28	1.18	3.35	1.19	3.51	1.19	3.67	1.18					
44	2.63	1.16	2.98	1.19	3.14	1.21	3.21	1.21	3.29	1.22	3.45	1.22	3.60	1.21					
46	2.56	1.19	2.92	1.22	3.07	1.24	3.15	1.24	3.23	1.25	3.38	1.24	3.54	1.23					
5000			5000	74%	10	4.00	0.94	5.79	1.04	6.04	1.13	6.16	1.17	6.28	1.21	6.53	1.27	6.78	1.31
					12	4.00	0.98	5.70	1.08	5.94	1.17	6.07	1.21	6.19	1.24	6.43	1.30	6.68	1.34
					14	4.00	1.02	5.61	1.12	5.85	1.21	5.97	1.24	6.09	1.27	6.34	1.33	6.58	1.36
					16	4.00	1.07	5.52	1.16	5.76	1.24	5.88	1.28	6.00	1.31	6.24	1.36	6.48	1.39
					18	4.00	1.11	5.43	1.20	5.66	1.28	5.78	1.31	5.90	1.34	6.14	1.39	6.39	1.42
					20	4.00	1.16	5.34	1.24	5.57	1.32	5.69	1.35	5.81	1.37	6.05	1.42	6.29	1.44
					21	4.00	1.18	5.29	1.27	5.53	1.34	5.64	1.37	5.76	1.39	6.00	1.43	6.24	1.46
					23	4.00	1.23	5.20	1.31	5.43	1.38	5.55	1.40	5.67	1.43	5.91	1.46	6.14	1.49
					25	4.00	1.27	5.11	1.35	5.34	1.42	5.46	1.44	5.57	1.46	5.81	1.50	6.05	1.52
					27	4.00	1.32	5.02	1.40	5.25	1.46	5.37	1.48	5.48	1.50	5.72	1.53	5.95	1.55
					29	4.00	1.37	4.93	1.44	5.16	1.50	5.27	1.52	5.39	1.54	5.62	1.56	5.86	1.58
					31	4.00	1.42	4.84	1.49	5.07	1.54	5.18	1.56	5.30	1.58	5.53	1.60	5.76	1.61
					33	4.00	1.47	4.75	1.53	4.98	1.58	5.09	1.60	5.20	1.62	5.43	1.64	5.66	1.64
					35	4.00	1.52	4.66	1.58	4.89	1.62	5.00	1.62	5.11	1.66	5.34	1.67	5.57	1.67
					37	4.00	1.57	4.57	1.63	4.79	1.67	4.91	1.68	5.02	1.70	5.25	1.71	5.47	1.70
					39	4.00	1.62	4.48	1.67	4.70	1.71	4.82	1.73	4.93	1.74	5.15	1.75	5.38	1.74
42	3.95	1.70	4.35	1.75	4.57	1.78	4.68	1.79	4.79	1.80	5.01	1.80	5.24	1.79					
44	3.75	1.75	4.26	1.80	4.48	1.83	4.59	1.84	4.70	1.84	4.92	1.84	5.14	1.83					
46	3.65	1.80	4.18	1.85	4.39	1.87	4.50	1.88	4.61	1.89	4.83	1.88	5.05	1.86					

12. Capacity Table

Combination (Capacity Index)			Combination (Total)	Combination (%)	Outdoor Temperature (°C,DB)	Indoor Temperature(°C, WB)													
						14		16		18		19		20		22		24	
						TC(kW)	PI(kW)	TC(kW)	PI(kW)	TC(kW)	PI(kW)	TC(kW)	PI(kW)	TC(kW)	PI(kW)	TC(kW)	PI(kW)	TC(kW)	PI(kW)
2000	2000		4000	59%	10	3.53	0.87	4.99	0.89	5.08	0.91	5.14	0.92	5.20	0.94	5.35	0.95	5.52	0.97
					12	3.53	0.89	4.85	0.91	4.95	0.94	5.01	0.95	5.08	0.96	5.23	0.98	5.41	1.00
					14	3.53	0.92	4.72	0.94	4.83	0.96	4.89	0.97	4.96	0.98	5.12	1.00	5.31	1.02
					16	3.53	0.94	4.60	0.96	4.71	0.98	4.78	0.99	4.85	1.00	5.02	1.02	5.21	1.04
					18	3.53	0.96	4.48	0.98	4.60	1.01	4.67	1.02	4.75	1.03	4.92	1.04	5.12	1.06
					20	3.53	0.99	4.36	1.01	4.49	1.03	4.57	1.04	4.65	1.05	4.83	1.07	5.03	1.09
					21	3.53	1.00	4.31	1.02	4.44	1.04	4.52	1.05	4.60	1.06	4.78	1.08	4.99	1.10
					23	3.53	1.03	4.20	1.05	4.34	1.07	4.42	1.08	4.51	1.09	4.70	1.11	4.91	1.13
					25	3.53	1.05	4.10	1.07	4.25	1.09	4.33	1.10	4.42	1.11	4.62	1.13	4.84	1.15
					27	3.53	1.08	4.01	1.10	4.16	1.12	4.25	1.13	4.34	1.14	4.55	1.16	4.78	1.18
					29	3.53	1.11	3.92	1.13	4.08	1.15	4.17	1.16	4.27	1.17	4.48	1.19	4.72	1.20
					31	3.53	1.13	3.84	1.15	4.01	1.18	4.10	1.19	4.20	1.19	4.42	1.21	4.66	1.23
					33	3.53	1.16	3.76	1.18	3.94	1.20	4.03	1.21	4.13	1.22	4.36	1.24	4.61	1.26
					35	3.53	1.19	3.69	1.21	3.87	1.23	4.00	1.24	4.08	1.25	4.31	1.27	4.57	1.29
					37	3.53	1.22	3.62	1.24	3.81	1.26	3.91	1.27	4.02	1.28	4.26	1.30	4.53	1.32
					39	3.53	1.25	3.56	1.27	3.76	1.29	3.86	1.30	3.98	1.31	4.22	1.33	4.49	1.35
42	3.53	1.30	3.48	1.32	3.69	1.34	3.80	1.35	3.92	1.36	4.17	1.38	4.46	1.40					
44	3.53	1.33	3.44	1.35	3.65	1.37	3.76	1.38	3.89	1.39	4.15	1.41	4.44	1.43					
46	3.53	1.37	3.39	1.39	3.61	1.41	3.73	1.42	3.86	1.43	4.13	1.44	4.42	1.46					
2000	2500		4500	66%	10	3.98	0.99	5.61	1.02	5.72	1.04	5.78	1.05	5.85	1.06	6.01	1.09	6.21	1.11
					12	3.98	1.02	5.46	1.04	5.57	1.06	5.64	1.08	5.71	1.09	5.89	1.11	6.09	1.13
					14	3.98	1.04	5.31	1.07	5.43	1.09	5.50	1.10	5.58	1.11	5.76	1.14	5.97	1.16
					16	3.98	1.07	5.17	1.09	5.30	1.12	5.38	1.13	5.46	1.14	5.65	1.16	5.86	1.18
					18	3.98	1.09	5.04	1.12	5.17	1.14	5.25	1.15	5.34	1.17	5.53	1.19	5.76	1.21
					20	3.98	1.12	4.91	1.15	5.05	1.17	5.14	1.18	5.23	1.19	5.43	1.22	5.66	1.24
					21	3.98	1.14	4.85	1.16	5.00	1.18	5.08	1.20	5.17	1.21	5.38	1.23	5.62	1.25
					23	3.98	1.17	4.73	1.19	4.89	1.21	4.98	1.23	5.07	1.24	5.29	1.26	5.53	1.28
					25	3.98	1.20	4.62	1.22	4.78	1.24	4.87	1.25	4.98	1.27	5.20	1.29	5.45	1.31
					27	3.98	1.23	4.51	1.25	4.68	1.27	4.78	1.28	4.88	1.30	5.11	1.32	5.37	1.34
					29	3.98	1.26	4.41	1.28	4.59	1.30	4.69	1.32	4.80	1.33	5.04	1.35	5.30	1.37
					31	3.98	1.29	4.32	1.31	4.51	1.34	4.61	1.35	4.72	1.36	4.97	1.38	5.24	1.40
					33	3.98	1.32	4.23	1.35	4.43	1.37	4.54	1.38	4.65	1.39	4.90	1.41	5.19	1.43
					35	3.98	1.36	4.15	1.38	4.35	1.40	4.50	1.41	4.59	1.42	4.85	1.45	5.14	1.47
					37	3.98	1.39	4.08	1.41	4.29	1.44	4.40	1.45	4.53	1.46	4.80	1.48	5.09	1.50
					39	3.98	1.42	4.01	1.45	4.23	1.47	4.35	1.48	4.48	1.49	4.75	1.51	5.06	1.53
42	3.98	1.48	3.92	1.50	4.15	1.52	4.27	1.54	4.41	1.55	4.70	1.57	5.01	1.59					
44	3.98	1.52	3.87	1.54	4.10	1.56	4.23	1.57	4.37	1.58	4.67	1.60	4.99	1.62					
46	3.98	1.55	3.82	1.58	4.07	1.60	4.20	1.61	4.34	1.62	4.64	1.64	4.98	1.66					

12. Capacity Table

Combination (Capacity Index)			Combination (Total)	Combination (%)	Outdoor Temperature (°C,DB)	Indoor Temperature(°C, WB)													
						14		16		18		19		20		22		24	
						TC(kW)	PI(kW)	TC(kW)	PI(kW)	TC(kW)	PI(kW)	TC(kW)	PI(kW)	TC(kW)	PI(kW)	TC(kW)	PI(kW)	TC(kW)	PI(kW)
2000	3500	5500	81%	10	4.86	1.29	6.86	1.32	6.99	1.35	7.06	1.36	7.15	1.38	7.35	1.41	7.59	1.44	
				12	4.86	1.32	6.67	1.35	6.81	1.38	6.89	1.40	6.98	1.41	7.19	1.44	7.44	1.47	
				14	4.86	1.35	6.49	1.38	6.64	1.41	6.73	1.43	6.82	1.44	7.04	1.47	7.30	1.50	
				16	4.86	1.39	6.32	1.42	6.48	1.45	6.57	1.46	6.67	1.48	6.90	1.51	7.16	1.54	
				18	4.86	1.42	6.16	1.45	6.32	1.48	6.42	1.50	6.53	1.51	6.76	1.54	7.04	1.57	
				20	4.86	1.46	6.00	1.49	6.18	1.52	6.28	1.53	6.39	1.55	6.64	1.58	6.92	1.61	
				21	4.86	1.48	5.92	1.51	6.11	1.54	6.21	1.55	6.32	1.57	6.58	1.60	6.86	1.62	
				23	4.86	1.51	5.78	1.54	5.97	1.58	6.08	1.59	6.20	1.60	6.46	1.63	6.76	1.66	
				25	4.86	1.55	5.64	1.58	5.84	1.61	5.96	1.63	6.08	1.64	6.35	1.67	6.66	1.70	
				27	4.86	1.59	5.51	1.62	5.72	1.65	5.84	1.67	5.97	1.68	6.25	1.71	6.57	1.74	
				29	4.86	1.63	5.39	1.66	5.61	1.69	5.74	1.71	5.87	1.72	6.16	1.75	6.48	1.78	
				31	4.86	1.67	5.28	1.70	5.51	1.73	5.64	1.75	5.77	1.76	6.07	1.79	6.41	1.82	
				33	4.86	1.72	5.17	1.75	5.41	1.78	5.54	1.79	5.69	1.81	5.99	1.83	6.34	1.86	
				35	4.86	1.76	5.07	1.79	5.32	1.82	5.50	1.83	5.61	1.85	5.92	1.88	6.28	1.90	
				37	4.86	1.80	4.98	1.83	5.24	1.86	5.38	1.88	5.53	1.89	5.86	1.92	6.23	1.95	
				39	4.86	1.85	4.90	1.88	5.17	1.91	5.31	1.92	5.47	1.94	5.81	1.97	6.18	1.99	
42	4.86	1.92	4.79	1.95	5.07	1.98	5.22	1.99	5.39	2.01	5.74	2.03	6.13	2.06					
44	4.86	1.97	4.72	2.00	5.02	2.03	5.17	2.04	5.34	2.05	5.70	2.08	6.10	2.11					
46	4.86	2.02	4.67	2.05	4.97	2.08	5.13	2.09	5.30	2.10	5.68	2.13	6.08	2.16					
2000	5000	7000	103%	10	5.74	1.41	8.10	1.44	8.26	1.47	8.35	1.49	8.45	1.51	8.69	1.54	8.97	1.57	
				12	5.74	1.44	7.88	1.48	8.05	1.51	8.15	1.53	8.25	1.54	8.50	1.57	8.79	1.61	
				14	5.74	1.48	7.67	1.51	7.85	1.55	7.95	1.56	8.06	1.58	8.32	1.61	8.62	1.64	
				16	5.74	1.51	7.47	1.55	7.66	1.58	7.76	1.60	7.88	1.62	8.15	1.65	8.47	1.68	
				18	5.74	1.55	7.28	1.59	7.47	1.62	7.59	1.64	7.71	1.65	7.99	1.69	8.32	1.72	
				20	5.74	1.59	7.09	1.63	7.30	1.66	7.42	1.68	7.55	1.69	7.84	1.72	8.18	1.75	
				21	5.74	1.61	7.00	1.65	7.22	1.68	7.34	1.70	7.47	1.71	7.77	1.74	8.11	1.77	
				23	5.74	1.65	6.83	1.69	7.06	1.72	7.19	1.74	7.33	1.75	7.63	1.78	7.99	1.81	
				25	5.74	1.70	6.67	1.73	6.91	1.76	7.04	1.78	7.19	1.80	7.51	1.83	7.87	1.86	
				27	5.74	1.74	6.52	1.77	6.77	1.81	6.91	1.82	7.06	1.84	7.39	1.87	7.76	1.90	
				29	5.74	1.78	6.37	1.82	6.63	1.85	6.78	1.87	6.93	1.88	7.28	1.91	7.66	1.94	
				31	5.74	1.83	6.24	1.86	6.51	1.90	6.66	1.91	6.82	1.93	7.18	1.96	7.57	1.99	
				33	5.74	1.87	6.11	1.91	6.40	1.94	6.55	1.96	6.72	1.97	7.08	2.00	7.49	2.03	
				35	5.74	1.92	6.00	1.96	6.29	1.99	6.50	2.00	6.63	2.02	7.00	2.05	7.42	2.08	
				37	5.74	1.97	5.89	2.00	6.19	2.04	6.36	2.05	6.54	2.07	6.93	2.10	7.36	2.13	
				39	5.74	2.02	5.79	2.05	6.11	2.09	6.28	2.10	6.46	2.12	6.86	2.15	7.30	2.18	
42	5.74	2.10	5.66	2.13	5.99	2.16	6.17	2.18	6.37	2.19	6.78	2.22	7.24	2.25					
44	5.74	2.15	5.58	2.18	5.93	2.21	6.12	2.23	6.31	2.25	6.74	2.28	7.21	2.30					
46	5.74	2.20	5.52	2.24	5.87	2.27	6.07	2.28	6.27	2.30	6.71	2.33	7.19	2.36					

12. Capacity Table

Combination (Capacity Index)			Combination (Total)	Combination (%)	Outdoor Temperature (°C,DB)	Indoor Temperature(°C, WB)													
						14		16		18		19		20		22		24	
						TC(kW)	PI(kW)	TC(kW)	PI(kW)	TC(kW)	PI(kW)	TC(kW)	PI(kW)	TC(kW)	PI(kW)	TC(kW)	PI(kW)	TC(kW)	PI(kW)
2500	2500		5000	74%	10	4.42	1.17	6.23	1.20	6.35	1.22	6.42	1.24	6.50	1.25	6.68	1.28	6.90	1.30
					12	4.42	1.20	6.06	1.22	6.19	1.25	6.27	1.27	6.35	1.28	6.54	1.31	6.76	1.33
					14	4.42	1.23	5.90	1.25	6.04	1.28	6.12	1.30	6.20	1.31	6.40	1.34	6.63	1.36
					16	4.42	1.26	5.75	1.29	5.89	1.31	5.97	1.33	6.06	1.34	6.27	1.37	6.51	1.39
					18	4.42	1.29	5.60	1.32	5.75	1.35	5.84	1.36	5.93	1.37	6.15	1.40	6.40	1.42
					20	4.42	1.32	5.45	1.35	5.62	1.38	5.71	1.39	5.81	1.41	6.03	1.43	6.29	1.46
					21	4.42	1.34	5.39	1.37	5.55	1.39	5.65	1.41	5.75	1.42	5.98	1.45	6.24	1.47
					23	4.42	1.37	5.25	1.40	5.43	1.43	5.53	1.44	5.63	1.46	5.87	1.48	6.14	1.51
					25	4.42	1.41	5.13	1.44	5.31	1.46	5.42	1.48	5.53	1.49	5.77	1.52	6.05	1.54
					27	4.42	1.44	5.01	1.47	5.20	1.50	5.31	1.51	5.43	1.53	5.68	1.55	5.97	1.58
					29	4.42	1.48	4.90	1.51	5.10	1.54	5.21	1.55	5.33	1.56	5.60	1.59	5.89	1.61
					31	4.42	1.52	4.80	1.55	5.01	1.57	5.12	1.59	5.25	1.60	5.52	1.63	5.82	1.65
					33	4.42	1.56	4.70	1.58	4.92	1.61	5.04	1.62	5.17	1.64	5.45	1.66	5.76	1.69
					35	4.42	1.60	4.61	1.62	4.84	1.65	5.00	1.66	5.10	1.68	5.39	1.70	5.71	1.73
					37	4.42	1.64	4.53	1.66	4.76	1.69	4.89	1.70	5.03	1.72	5.33	1.74	5.66	1.77
					39	4.42	1.68	4.45	1.71	4.70	1.73	4.83	1.74	4.97	1.76	5.28	1.78	5.62	1.81
42	4.42	1.74	4.35	1.77	4.61	1.80	4.75	1.81	4.90	1.82	5.22	1.85	5.57	1.87					
44	4.42	1.78	4.30	1.81	4.56	1.84	4.70	1.85	4.86	1.86	5.18	1.89	5.55	1.91					
46	4.42	1.83	4.24	1.86	4.52	1.88	4.67	1.90	4.82	1.91	5.16	1.93	5.53	1.96					
2500	3000		6000	88%	10	5.30	1.39	7.48	1.43	7.62	1.46	7.71	1.48	7.80	1.49	8.02	1.52	8.28	1.56
					12	5.30	1.43	7.28	1.46	7.43	1.49	7.52	1.51	7.62	1.53	7.85	1.56	8.11	1.59
					14	5.30	1.46	7.08	1.50	7.24	1.53	7.34	1.55	7.44	1.56	7.68	1.59	7.96	1.62
					16	5.30	1.50	6.89	1.53	7.07	1.57	7.17	1.58	7.28	1.60	7.53	1.63	7.81	1.66
					18	5.30	1.54	6.72	1.57	6.90	1.61	7.00	1.62	7.12	1.64	7.38	1.67	7.68	1.70
					20	5.30	1.58	6.55	1.61	6.74	1.64	6.85	1.66	6.97	1.68	7.24	1.71	7.55	1.74
					21	5.30	1.60	6.46	1.63	6.66	1.66	6.78	1.68	6.90	1.70	7.17	1.73	7.49	1.76
					23	5.30	1.64	6.31	1.67	6.51	1.70	6.63	1.72	6.76	1.74	7.05	1.77	7.37	1.80
					25	5.30	1.68	6.16	1.71	6.38	1.75	6.50	1.76	6.63	1.78	6.93	1.81	7.26	1.84
					27	5.30	1.72	6.02	1.76	6.25	1.79	6.37	1.80	6.51	1.82	6.82	1.85	7.16	1.88
					29	5.30	1.77	5.88	1.80	6.12	1.83	6.26	1.85	6.40	1.86	6.72	1.89	7.07	1.92
					31	5.30	1.81	5.76	1.84	6.01	1.88	6.15	1.89	6.30	1.91	6.62	1.94	6.99	1.97
					33	5.30	1.86	5.64	1.89	5.90	1.92	6.05	1.94	6.20	1.95	6.54	1.98	6.92	2.01
					35	5.30	1.90	5.54	1.94	5.81	1.97	6.00	1.98	6.12	2.00	6.46	2.03	6.85	2.06
					37	5.30	1.95	5.44	1.98	5.72	2.02	5.87	2.03	6.04	2.05	6.39	2.08	6.79	2.11
					39	5.30	2.00	5.34	2.03	5.64	2.07	5.80	2.08	5.97	2.10	6.34	2.13	6.74	2.15
42	5.30	2.08	5.22	2.11	5.53	2.14	5.70	2.16	5.88	2.17	6.26	2.20	6.68	2.23					
44	5.30	2.13	5.15	2.16	5.47	2.19	5.64	2.21	5.83	2.22	6.22	2.25	6.65	2.28					
46	5.30	2.18	5.09	2.21	5.42	2.25	5.60	2.26	5.79	2.28	6.19	2.30	6.63	2.33					

12. Capacity Table

Combination (Capacity Index)			Combination (Total)	Combination (%)	Outdoor Temperature (°C,DB)	Indoor Temperature(°C, WB)													
						14		16		18		19		20		22		24	
						TC(kW)	PI(kW)	TC(kW)	PI(kW)	TC(kW)	PI(kW)	TC(kW)	PI(kW)	TC(kW)	PI(kW)	TC(kW)	PI(kW)	TC(kW)	PI(kW)
2500	5000	7500	110%	10	6.01	1.47	8.48	1.51	8.64	1.54	8.73	1.56	8.84	1.58	9.09	1.61	9.38	1.64	
				12	6.01	1.51	8.25	1.54	8.42	1.58	8.52	1.60	8.63	1.61	8.89	1.65	9.20	1.68	
				14	6.01	1.54	8.03	1.58	8.21	1.62	8.32	1.63	8.44	1.65	8.71	1.68	9.02	1.72	
				16	6.01	1.58	7.81	1.62	8.01	1.65	8.12	1.67	8.25	1.69	8.53	1.72	8.86	1.75	
				18	6.01	1.62	7.61	1.66	7.82	1.69	7.94	1.71	8.07	1.73	8.36	1.76	8.70	1.79	
				20	6.01	1.66	7.42	1.70	7.64	1.74	7.76	1.75	7.90	1.77	8.21	1.80	8.56	1.83	
				21	6.01	1.68	7.33	1.72	7.55	1.76	7.68	1.77	7.82	1.79	8.13	1.82	8.49	1.85	
				23	6.01	1.73	7.15	1.76	7.38	1.80	7.52	1.82	7.66	1.83	7.99	1.87	8.35	1.90	
				25	6.01	1.77	6.98	1.81	7.23	1.84	7.37	1.86	7.52	1.88	7.85	1.91	8.23	1.94	
				27	6.01	1.82	6.82	1.85	7.08	1.89	7.22	1.90	7.38	1.92	7.73	1.95	8.12	1.98	
				29	6.01	1.86	6.67	1.90	6.94	1.93	7.09	1.95	7.25	1.97	7.61	2.00	8.02	2.03	
				31	6.01	1.91	6.53	1.95	6.81	1.98	6.97	2.00	7.14	2.01	7.51	2.05	7.92	2.08	
				33	6.01	1.96	6.40	1.99	6.69	2.03	6.85	2.05	7.03	2.06	7.41	2.09	7.84	2.12	
				35	6.01	2.01	6.27	2.04	6.58	2.08	6.80	2.09	6.93	2.11	7.32	2.14	7.76	2.17	
				37	6.01	2.06	6.16	2.09	6.48	2.13	6.66	2.15	6.84	2.16	7.25	2.19	7.70	2.22	
				39	6.01	2.11	6.06	2.15	6.39	2.18	6.57	2.20	6.76	2.21	7.18	2.24	7.64	2.27	
42	6.01	2.19	5.92	2.23	6.27	2.26	6.46	2.28	6.66	2.29	7.10	2.32	7.57	2.35					
44	6.01	2.25	5.84	2.28	6.20	2.31	6.40	2.33	6.60	2.35	7.05	2.38	7.54	2.41					
46	6.01	2.30	5.77	2.34	6.14	2.37	6.35	2.39	6.56	2.40	7.02	2.43	7.52	2.46					
3500	3500	7000	103%	10	5.74	1.41	8.10	1.45	8.26	1.48	8.35	1.50	8.45	1.52	8.69	1.55	8.97	1.58	
				12	5.74	1.45	7.88	1.48	8.05	1.52	8.15	1.53	8.25	1.55	8.50	1.58	8.79	1.61	
				14	5.74	1.48	7.67	1.52	7.85	1.55	7.95	1.57	8.06	1.59	8.32	1.62	8.62	1.65	
				16	5.74	1.52	7.47	1.56	7.66	1.59	7.76	1.61	7.88	1.62	8.15	1.66	8.47	1.69	
				18	5.74	1.56	7.28	1.60	7.47	1.63	7.59	1.65	7.71	1.66	7.99	1.69	8.32	1.72	
				20	5.74	1.60	7.09	1.64	7.30	1.67	7.42	1.69	7.55	1.70	7.84	1.73	8.18	1.76	
				21	5.74	1.62	7.00	1.66	7.22	1.69	7.34	1.71	7.47	1.72	7.77	1.75	8.11	1.78	
				23	5.74	1.66	6.83	1.70	7.06	1.73	7.19	1.75	7.33	1.76	7.63	1.79	7.99	1.82	
				25	5.74	1.70	6.67	1.74	6.91	1.77	7.04	1.79	7.19	1.80	7.51	1.84	7.87	1.87	
				27	5.74	1.75	6.52	1.78	6.77	1.82	6.91	1.83	7.06	1.85	7.39	1.88	7.76	1.91	
				29	5.74	1.79	6.37	1.83	6.63	1.86	6.78	1.88	6.93	1.89	7.28	1.92	7.66	1.95	
				31	5.74	1.84	6.24	1.87	6.51	1.91	6.66	1.92	6.82	1.94	7.18	1.97	7.57	2.00	
				33	5.74	1.88	6.11	1.92	6.40	1.95	6.55	1.97	6.72	1.98	7.08	2.01	7.49	2.04	
				35	5.74	1.93	6.00	1.97	6.29	2.00	6.50	2.01	6.63	2.03	7.00	2.06	7.42	2.09	
				37	5.74	1.98	5.89	2.01	6.19	2.05	6.36	2.06	6.54	2.08	6.93	2.11	7.36	2.14	
				39	5.74	2.03	5.79	2.06	6.11	2.10	6.28	2.11	6.46	2.13	6.86	2.16	7.30	2.19	
42	5.74	2.11	5.66	2.14	5.99	2.17	6.17	2.19	6.37	2.20	6.78	2.23	7.24	2.26					
44	5.74	2.16	5.58	2.19	5.93	2.23	6.12	2.24	6.31	2.26	6.74	2.29	7.21	2.32					
46	5.74	2.21	5.52	2.25	5.87	2.28	6.07	2.29	6.27	2.31	6.71	2.34	7.19	2.37					

12. Capacity Table

Combination (Capacity Index)			Combination (Total)	Combination (%)	Outdoor Temperature (°C, DB)	Indoor Temperature(°C, WB)													
						14		16		18		19		20		22		24	
						TC(kW)	PI(kW)	TC(kW)	PI(kW)	TC(kW)	PI(kW)	TC(kW)	PI(kW)	TC(kW)	PI(kW)	TC(kW)	PI(kW)	TC(kW)	PI(kW)
3500	5000		8500	125%	10	6.01	1.48	8.48	1.51	8.64	1.55	8.73	1.57	8.84	1.58	9.09	1.62	9.38	1.65
					12	6.01	1.51	8.25	1.55	8.42	1.59	8.52	1.60	8.63	1.62	8.89	1.65	9.20	1.69
					14	6.01	1.55	8.03	1.59	8.21	1.62	8.32	1.64	8.44	1.66	8.71	1.69	9.02	1.72
					16	6.01	1.59	7.81	1.63	8.01	1.66	8.12	1.68	8.25	1.70	8.53	1.73	8.86	1.76
					18	6.01	1.63	7.61	1.67	7.82	1.70	7.94	1.72	8.07	1.74	8.36	1.77	8.70	1.80
					20	6.01	1.67	7.42	1.71	7.64	1.74	7.76	1.76	7.90	1.78	8.21	1.81	8.56	1.84
					21	6.01	1.69	7.33	1.73	7.55	1.76	7.68	1.78	7.82	1.80	8.13	1.83	8.49	1.86
					23	6.01	1.74	7.15	1.77	7.38	1.81	7.52	1.82	7.66	1.84	7.99	1.87	8.35	1.91
					25	6.01	1.78	6.98	1.82	7.23	1.85	7.37	1.87	7.52	1.89	7.85	1.92	8.23	1.95
					27	6.01	1.83	6.82	1.86	7.08	1.90	7.22	1.91	7.38	1.93	7.73	1.96	8.12	1.99
					29	6.01	1.87	6.67	1.91	6.94	1.94	7.09	1.96	7.25	1.98	7.61	2.01	8.02	2.04
					31	6.01	1.92	6.53	1.96	6.81	1.99	6.97	2.01	7.14	2.02	7.51	2.06	7.92	2.09
					33	6.01	1.97	6.40	2.00	6.69	2.04	6.85	2.06	7.03	2.07	7.41	2.10	7.84	2.13
					35	6.01	2.02	6.27	2.05	6.58	2.09	6.80	2.10	6.93	2.12	7.32	2.15	7.76	2.18
					37	6.01	2.07	6.16	2.10	6.48	2.14	6.66	2.16	6.84	2.17	7.25	2.20	7.70	2.23
					39	6.01	2.12	6.06	2.16	6.39	2.19	6.57	2.21	6.76	2.22	7.18	2.26	7.64	2.29
42	6.01	2.20	5.92	2.24	6.27	2.27	6.46	2.29	6.66	2.30	7.10	2.33	7.57	2.36					
44	6.01	2.26	5.84	2.29	6.20	2.33	6.40	2.34	6.60	2.36	7.05	2.39	7.54	2.42					
46	6.01	2.31	5.77	2.35	6.14	2.38	6.35	2.40	6.56	2.41	7.02	2.44	7.52	2.47					
5000	5000		10000	147%	10	7.65	1.45	7.95	1.48	8.25	1.51	8.41	1.52	8.56	1.54	8.87	1.57	9.19	1.60
					12	7.51	1.48	7.81	1.52	8.12	1.55	8.27	1.56	8.43	1.58	8.74	1.61	9.06	1.64
					14	7.38	1.52	7.68	1.55	7.99	1.59	8.14	1.60	8.30	1.62	8.61	1.65	8.93	1.68
					16	7.25	1.56	7.55	1.60	7.86	1.63	8.01	1.64	8.17	1.66	8.48	1.69	8.80	1.72
					18	7.12	1.60	7.42	1.64	7.73	1.67	7.88	1.68	8.04	1.70	8.35	1.73	8.68	1.76
					20	6.99	1.65	7.29	1.68	7.60	1.71	7.75	1.73	7.91	1.74	8.23	1.77	8.55	1.81
					21	6.92	1.67	7.22	1.70	7.53	1.73	7.69	1.75	7.84	1.76	8.16	1.79	8.48	1.83
					23	6.79	1.71	7.09	1.74	7.40	1.77	7.56	1.79	7.71	1.81	8.03	1.84	8.35	1.87
					25	6.66	1.75	6.96	1.79	7.27	1.82	7.43	1.83	7.59	1.85	7.90	1.88	8.23	1.92
					27	6.53	1.80	6.83	1.83	7.14	1.86	7.30	1.88	7.46	1.90	7.78	1.93	8.10	1.96
					29	6.40	1.84	6.70	1.87	7.01	1.91	7.17	1.92	7.33	1.94	7.65	1.97	7.97	2.01
					31	6.27	1.89	6.57	1.92	6.89	1.95	7.04	1.97	7.20	1.99	7.52	2.02	7.85	2.05
					33	6.14	1.93	6.45	1.97	6.76	2.00	6.92	2.02	7.07	2.03	7.39	2.07	7.72	2.10
					35	6.01	1.98	6.32	2.01	6.63	2.05	6.80	2.06	6.95	2.08	7.27	2.11	7.59	2.15
					37	5.88	2.03	6.19	2.06	6.50	2.10	6.66	2.11	6.82	2.13	7.14	2.16	7.47	2.20
					39	5.75	2.08	6.06	2.11	6.38	2.14	6.53	2.16	6.69	2.18	7.02	2.21	7.34	2.25
42	5.56	2.15	5.87	2.19	6.19	2.22	6.34	2.24	6.50	2.25	6.83	2.29	7.15	2.32					
44	5.43	2.20	5.74	2.24	6.06	2.27	6.22	2.29	6.38	2.30	6.70	2.34	7.03	2.37					
46	5.31	2.25	5.62	2.29	5.93	2.32	6.09	2.34	6.25	2.36	6.58	2.39	6.91	2.42					

12. Capacity Table

Combination (Capacity Index)			Combination (Total)	Combination (%)	Outdoor Temperature (°C,DB)	Indoor Temperature(°C, WB)													
						14		16		18		19		20		22		24	
						TC(kW)	PI(kW)	TC(kW)	PI(kW)	TC(kW)	PI(kW)	TC(kW)	PI(kW)	TC(kW)	PI(kW)	TC(kW)	PI(kW)	TC(kW)	PI(kW)
2000	2000	2000	6000	88%	10	5.30	1.38	7.48	1.42	7.62	1.45	7.71	1.47	7.80	1.49	8.02	1.52	8.28	1.55
					12	5.30	1.42	7.28	1.45	7.43	1.49	7.52	1.50	7.62	1.52	7.85	1.55	8.11	1.58
					14	5.30	1.45	7.08	1.49	7.24	1.52	7.34	1.54	7.44	1.56	7.68	1.59	7.96	1.62
					16	5.30	1.49	6.89	1.53	7.07	1.56	7.17	1.58	7.28	1.59	7.53	1.62	7.81	1.65
					18	5.30	1.53	6.72	1.56	6.90	1.60	7.00	1.61	7.12	1.63	7.38	1.66	7.68	1.69
					20	5.30	1.57	6.55	1.60	6.74	1.64	6.85	1.65	6.97	1.67	7.24	1.70	7.55	1.73
					21	5.30	1.59	6.46	1.62	6.66	1.66	6.78	1.67	6.90	1.69	7.17	1.72	7.49	1.75
					23	5.30	1.63	6.31	1.66	6.51	1.70	6.63	1.71	6.76	1.73	7.05	1.76	7.37	1.79
					25	5.30	1.67	6.16	1.70	6.38	1.74	6.50	1.75	6.63	1.77	6.93	1.80	7.26	1.83
					27	5.30	1.71	6.02	1.75	6.25	1.78	6.37	1.80	6.51	1.81	6.82	1.84	7.16	1.87
					29	5.30	1.76	5.88	1.79	6.12	1.82	6.26	1.84	6.40	1.85	6.72	1.88	7.07	1.91
					31	5.30	1.80	5.76	1.83	6.01	1.87	6.15	1.88	6.30	1.90	6.62	1.93	6.99	1.96
					33	5.30	1.85	5.64	1.88	5.90	1.91	6.05	1.93	6.20	1.94	6.54	1.97	6.92	2.00
					35	5.30	1.89	5.54	1.93	5.81	1.96	6.00	1.97	6.12	1.99	6.46	2.02	6.85	2.05
					37	5.30	1.94	5.44	1.97	5.72	2.01	5.87	2.02	6.04	2.04	6.39	2.07	6.79	2.10
					39	5.30	1.99	5.34	2.02	5.64	2.06	5.80	2.07	5.97	2.09	6.34	2.12	6.74	2.14
42	5.30	2.07	5.22	2.10	5.53	2.13	5.70	2.15	5.88	2.16	6.26	2.19	6.68	2.22					
44	5.30	2.12	5.15	2.15	5.47	2.18	5.64	2.20	5.83	2.21	6.22	2.24	6.65	2.27					
46	5.30	2.17	5.09	2.20	5.42	2.23	5.60	2.25	5.79	2.26	6.19	2.29	6.63	2.32					
2000	2000	2500	6500	96%	10	5.74	1.41	8.10	1.44	8.26	1.47	8.35	1.49	8.45	1.51	8.69	1.54	8.97	1.57
					12	5.74	1.44	7.88	1.48	8.05	1.51	8.15	1.53	8.25	1.54	8.50	1.57	8.79	1.61
					14	5.74	1.48	7.67	1.51	7.85	1.55	7.95	1.56	8.06	1.58	8.32	1.61	8.62	1.64
					16	5.74	1.51	7.47	1.55	7.66	1.58	7.76	1.60	7.88	1.62	8.15	1.65	8.47	1.68
					18	5.74	1.55	7.28	1.59	7.47	1.62	7.59	1.64	7.71	1.65	7.99	1.69	8.32	1.72
					20	5.74	1.59	7.09	1.63	7.30	1.66	7.42	1.68	7.55	1.69	7.84	1.72	8.18	1.75
					21	5.74	1.61	7.00	1.65	7.22	1.68	7.34	1.70	7.47	1.71	7.77	1.74	8.11	1.77
					23	5.74	1.65	6.83	1.69	7.06	1.72	7.19	1.74	7.33	1.75	7.63	1.78	7.99	1.81
					25	5.74	1.70	6.67	1.73	6.91	1.76	7.04	1.78	7.19	1.80	7.51	1.83	7.87	1.86
					27	5.74	1.74	6.52	1.77	6.77	1.81	6.91	1.82	7.06	1.84	7.39	1.87	7.76	1.90
					29	5.74	1.78	6.37	1.82	6.63	1.85	6.78	1.87	6.93	1.88	7.28	1.91	7.66	1.94
					31	5.74	1.83	6.24	1.86	6.51	1.90	6.66	1.91	6.82	1.93	7.18	1.96	7.57	1.99
					33	5.74	1.87	6.11	1.91	6.40	1.94	6.55	1.96	6.72	1.97	7.08	2.00	7.49	2.03
					35	5.74	1.92	6.00	1.96	6.29	1.99	6.50	2.00	6.63	2.02	7.00	2.05	7.42	2.08
					37	5.74	1.97	5.89	2.00	6.19	2.04	6.36	2.05	6.54	2.07	6.93	2.10	7.36	2.13
					39	5.74	2.02	5.79	2.05	6.11	2.09	6.28	2.10	6.46	2.12	6.86	2.15	7.30	2.18
42	5.74	2.10	5.66	2.13	5.99	2.16	6.17	2.18	6.37	2.19	6.78	2.22	7.24	2.25					
44	5.74	2.15	5.58	2.18	5.93	2.21	6.12	2.23	6.31	2.25	6.74	2.28	7.21	2.30					
46	5.74	2.20	5.52	2.24	5.87	2.27	6.07	2.28	6.27	2.30	6.71	2.33	7.19	2.36					

12. Capacity Table

Combination (Capacity Index)			Combination (Total)	Combination (%)	Outdoor Temperature (°C, DB)	Indoor Temperature(°C, WB)													
						14		16		18		19		20		22		24	
						TC(kW)	PI(kW)	TC(kW)	PI(kW)	TC(kW)	PI(kW)	TC(kW)	PI(kW)	TC(kW)	PI(kW)	TC(kW)	PI(kW)	TC(kW)	PI(kW)
2000	2000	3500	7500	110%	10	6.01	1.45	8.48	1.49	8.64	1.53	8.73	1.54	8.84	1.56	9.09	1.59	9.38	1.63
					12	6.01	1.49	8.25	1.53	8.42	1.56	8.52	1.58	8.63	1.60	8.89	1.63	9.20	1.66
					14	6.01	1.53	8.03	1.56	8.21	1.60	8.32	1.62	8.44	1.63	8.71	1.67	9.02	1.70
					16	6.01	1.57	7.81	1.60	8.01	1.64	8.12	1.66	8.25	1.67	8.53	1.71	8.86	1.74
					18	6.01	1.61	7.61	1.64	7.82	1.68	7.94	1.70	8.07	1.71	8.36	1.74	8.70	1.78
					20	6.01	1.65	7.42	1.68	7.64	1.72	7.76	1.74	7.90	1.75	8.21	1.78	8.56	1.82
					21	6.01	1.67	7.33	1.70	7.55	1.74	7.68	1.76	7.82	1.77	8.13	1.81	8.49	1.84
					23	6.01	1.71	7.15	1.75	7.38	1.78	7.52	1.80	7.66	1.82	7.99	1.85	8.35	1.88
					25	6.01	1.75	6.98	1.79	7.23	1.83	7.37	1.84	7.52	1.86	7.85	1.89	8.23	1.92
					27	6.01	1.80	6.82	1.84	7.08	1.87	7.22	1.89	7.38	1.90	7.73	1.93	8.12	1.97
					29	6.01	1.85	6.67	1.88	6.94	1.92	7.09	1.93	7.25	1.95	7.61	1.98	8.02	2.01
					31	6.01	1.89	6.53	1.93	6.81	1.96	6.97	1.98	7.14	1.99	7.51	2.03	7.92	2.06
					33	6.01	1.94	6.40	1.98	6.69	2.01	6.85	2.03	7.03	2.04	7.41	2.07	7.84	2.10
					35	6.01	1.99	6.27	2.02	6.58	2.06	6.80	2.07	6.93	2.09	7.32	2.12	7.76	2.15
					37	6.01	2.04	6.16	2.07	6.48	2.11	6.66	2.12	6.84	2.14	7.25	2.17	7.70	2.20
					39	6.01	2.09	6.06	2.13	6.39	2.16	6.57	2.18	6.76	2.19	7.18	2.22	7.64	2.25
42	6.01	2.17	5.92	2.21	6.27	2.24	6.46	2.25	6.66	2.27	7.10	2.30	7.57	2.33					
44	6.01	2.22	5.84	2.26	6.20	2.29	6.40	2.31	6.60	2.32	7.05	2.35	7.54	2.38					
46	6.01	2.28	5.77	2.31	6.14	2.35	6.35	2.36	6.56	2.38	7.02	2.41	7.52	2.44					
2000	2000	5000	9000	132%	10	7.65	1.40	7.95	1.43	8.25	1.46	8.41	1.48	8.56	1.49	8.87	1.52	9.19	1.55
					12	7.51	1.44	7.81	1.47	8.12	1.50	8.27	1.52	8.43	1.53	8.74	1.56	9.06	1.59
					14	7.38	1.48	7.68	1.51	7.99	1.54	8.14	1.55	8.30	1.57	8.61	1.60	8.93	1.63
					16	7.25	1.52	7.55	1.55	7.86	1.58	8.01	1.59	8.17	1.61	8.48	1.64	8.80	1.67
					18	7.12	1.56	7.42	1.59	7.73	1.62	7.88	1.63	8.04	1.65	8.35	1.68	8.68	1.71
					20	6.99	1.60	7.29	1.63	7.60	1.66	7.75	1.68	7.91	1.69	8.23	1.72	8.55	1.75
					21	6.92	1.62	7.22	1.65	7.53	1.68	7.69	1.70	7.84	1.71	8.16	1.74	8.48	1.77
					23	6.79	1.66	7.09	1.69	7.40	1.72	7.56	1.74	7.71	1.75	8.03	1.78	8.35	1.82
					25	6.66	1.70	6.96	1.73	7.27	1.76	7.43	1.78	7.59	1.80	7.90	1.83	8.23	1.86
					27	6.53	1.74	6.83	1.78	7.14	1.81	7.30	1.82	7.46	1.84	7.78	1.87	8.10	1.90
					29	6.40	1.79	6.70	1.82	7.01	1.85	7.17	1.87	7.33	1.88	7.65	1.92	7.97	1.95
					31	6.27	1.83	6.57	1.86	6.89	1.90	7.04	1.91	7.20	1.93	7.52	1.96	7.85	1.99
					33	6.14	1.88	6.45	1.91	6.76	1.94	6.92	1.96	7.07	1.97	7.39	2.01	7.72	2.04
					35	6.01	1.92	6.32	1.96	6.63	1.99	6.80	2.00	6.95	2.02	7.27	2.05	7.59	2.09
					37	5.88	1.97	6.19	2.00	6.50	2.03	6.66	2.05	6.82	2.07	7.14	2.10	7.47	2.13
					39	5.75	2.02	6.06	2.05	6.38	2.08	6.53	2.10	6.69	2.12	7.02	2.15	7.34	2.18
42	5.56	2.09	5.87	2.12	6.19	2.15	6.34	2.17	6.50	2.19	6.83	2.22	7.15	2.25					
44	5.43	2.14	5.74	2.17	6.06	2.20	6.22	2.22	6.38	2.24	6.70	2.27	7.03	2.30					
46	5.31	2.19	5.62	2.22	5.93	2.25	6.09	2.27	6.25	2.29	6.58	2.32	6.91	2.35					

12. Capacity Table

Combination (Capacity Index)			Combination (Total)	Combination (%)	Outdoor Temperature (°C,DB)	Indoor Temperature(°C, WB)													
						14		16		18		19		20		22		24	
						TC(kW)	PI(kW)	TC(kW)	PI(kW)	TC(kW)	PI(kW)	TC(kW)	PI(kW)	TC(kW)	PI(kW)	TC(kW)	PI(kW)	TC(kW)	PI(kW)
2000	2500	2500	7000	103%	10	5.74	1.43	8.10	1.46	8.26	1.50	8.35	1.51	8.45	1.53	8.69	1.56	8.97	1.59
					12	5.74	1.46	7.88	1.50	8.05	1.53	8.15	1.55	8.25	1.57	8.50	1.60	8.79	1.63
					14	5.74	1.50	7.67	1.53	7.85	1.57	7.95	1.59	8.06	1.60	8.32	1.63	8.62	1.67
					16	5.74	1.54	7.47	1.57	7.66	1.61	7.76	1.62	7.88	1.64	8.15	1.67	8.47	1.70
					18	5.74	1.58	7.28	1.61	7.47	1.65	7.59	1.66	7.71	1.68	7.99	1.71	8.32	1.74
					20	5.74	1.62	7.09	1.65	7.30	1.69	7.42	1.70	7.55	1.72	7.84	1.75	8.18	1.78
					21	5.74	1.64	7.00	1.67	7.22	1.71	7.34	1.72	7.47	1.74	7.77	1.77	8.11	1.80
					23	5.74	1.68	6.83	1.71	7.06	1.75	7.19	1.76	7.33	1.78	7.63	1.81	7.99	1.84
					25	5.74	1.72	6.67	1.76	6.91	1.79	7.04	1.81	7.19	1.82	7.51	1.85	7.87	1.88
					27	5.74	1.76	6.52	1.80	6.77	1.83	6.91	1.85	7.06	1.87	7.39	1.90	7.76	1.93
					29	5.74	1.81	6.37	1.84	6.63	1.88	6.78	1.89	6.93	1.91	7.28	1.94	7.66	1.97
					31	5.74	1.86	6.24	1.89	6.51	1.92	6.66	1.94	6.82	1.96	7.18	1.99	7.57	2.02
					33	5.74	1.90	6.11	1.94	6.40	1.97	6.55	1.99	6.72	2.00	7.08	2.03	7.49	2.06
					35	5.74	1.95	6.00	1.99	6.29	2.02	6.50	2.03	6.63	2.05	7.00	2.08	7.42	2.11
					37	5.74	2.00	5.89	2.03	6.19	2.07	6.36	2.08	6.54	2.10	6.93	2.13	7.36	2.16
					39	5.74	2.05	5.79	2.09	6.11	2.12	6.28	2.13	6.46	2.15	6.86	2.18	7.30	2.21
42	5.74	2.13	5.66	2.16	5.99	2.20	6.17	2.21	6.37	2.23	6.78	2.26	7.24	2.29					
44	5.74	2.18	5.58	2.22	5.93	2.25	6.12	2.26	6.31	2.28	6.74	2.31	7.21	2.34					
46	5.74	2.24	5.52	2.27	5.87	2.30	6.07	2.32	6.27	2.33	6.71	2.36	7.19	2.39					
2000	2500	3500	8000	118%	10	7.65	1.47	7.95	1.50	8.25	1.53	8.41	1.54	8.56	1.56	8.87	1.59	9.19	1.62
					12	7.51	1.51	7.81	1.54	8.12	1.57	8.27	1.58	8.43	1.60	8.74	1.63	9.06	1.66
					14	7.38	1.55	7.68	1.58	7.99	1.61	8.14	1.62	8.30	1.64	8.61	1.67	8.93	1.70
					16	7.25	1.59	7.55	1.62	7.86	1.65	8.01	1.67	8.17	1.68	8.48	1.71	8.80	1.75
					18	7.12	1.63	7.42	1.66	7.73	1.69	7.88	1.71	8.04	1.72	8.35	1.76	8.68	1.79
					20	6.99	1.67	7.29	1.70	7.60	1.73	7.75	1.75	7.91	1.77	8.23	1.80	8.55	1.83
					21	6.92	1.69	7.22	1.72	7.53	1.76	7.69	1.77	7.84	1.79	8.16	1.82	8.48	1.85
					23	6.79	1.73	7.09	1.77	7.40	1.80	7.56	1.82	7.71	1.83	8.03	1.87	8.35	1.90
					25	6.66	1.78	6.96	1.81	7.27	1.84	7.43	1.86	7.59	1.88	7.90	1.91	8.23	1.94
					27	6.53	1.82	6.83	1.86	7.14	1.89	7.30	1.91	7.46	1.92	7.78	1.96	8.10	1.99
					29	6.40	1.87	6.70	1.90	7.01	1.94	7.17	1.95	7.33	1.97	7.65	2.00	7.97	2.04
					31	6.27	1.92	6.57	1.95	6.89	1.98	7.04	2.00	7.20	2.02	7.52	2.05	7.85	2.08
					33	6.14	1.96	6.45	2.00	6.76	2.03	6.92	2.05	7.07	2.06	7.39	2.10	7.72	2.13
					35	6.01	2.01	6.32	2.04	6.63	2.08	6.80	2.09	6.95	2.11	7.27	2.15	7.59	2.18
					37	5.88	2.06	6.19	2.09	6.50	2.13	6.66	2.14	6.82	2.16	7.14	2.19	7.47	2.23
					39	5.75	2.11	6.06	2.14	6.38	2.18	6.53	2.19	6.69	2.21	7.02	2.24	7.34	2.28
42	5.56	2.18	5.87	2.22	6.19	2.25	6.34	2.27	6.50	2.29	6.83	2.32	7.15	2.36					
44	5.43	2.23	5.74	2.27	6.06	2.30	6.22	2.32	6.38	2.34	6.70	2.37	7.03	2.41					
46	5.31	2.29	5.62	2.32	5.93	2.36	6.09	2.37	6.25	2.39	6.58	2.43	6.91	2.46					

12. Capacity Table

Combination (Capacity Index)			Combination (Total)	Combination (%)	Outdoor Temperature (°C,DB)	Indoor Temperature(°C, WB)													
						14		16		18		19		20		22		24	
						TC(kW)	PI(kW)	TC(kW)	PI(kW)	TC(kW)	PI(kW)	TC(kW)	PI(kW)	TC(kW)	PI(kW)	TC(kW)	PI(kW)	TC(kW)	PI(kW)
2000	2500	5000	9500	140%	10	7.65	1.41	7.95	1.44	8.25	1.47	8.41	1.49	8.56	1.50	8.87	1.53	9.19	1.56
					12	7.51	1.45	7.81	1.48	8.12	1.51	8.27	1.52	8.43	1.54	8.74	1.57	9.06	1.60
					14	7.38	1.49	7.68	1.52	7.99	1.55	8.14	1.56	8.30	1.58	8.61	1.61	8.93	1.64
					16	7.25	1.53	7.55	1.56	7.86	1.59	8.01	1.60	8.17	1.62	8.48	1.65	8.80	1.68
					18	7.12	1.57	7.42	1.60	7.73	1.63	7.88	1.64	8.04	1.66	8.35	1.69	8.68	1.72
					20	6.99	1.61	7.29	1.64	7.60	1.67	7.75	1.68	7.91	1.70	8.23	1.73	8.55	1.76
					21	6.92	1.63	7.22	1.66	7.53	1.69	7.69	1.70	7.84	1.72	8.16	1.75	8.48	1.78
					23	6.79	1.67	7.09	1.70	7.40	1.73	7.56	1.75	7.71	1.76	8.03	1.79	8.35	1.83
					25	6.66	1.71	6.96	1.74	7.27	1.77	7.43	1.79	7.59	1.81	7.90	1.84	8.23	1.87
					27	6.53	1.75	6.83	1.79	7.14	1.82	7.30	1.83	7.46	1.85	7.78	1.88	8.10	1.91
					29	6.40	1.80	6.70	1.83	7.01	1.86	7.17	1.88	7.33	1.89	7.65	1.93	7.97	1.96
					31	6.27	1.84	6.57	1.87	6.89	1.91	7.04	1.92	7.20	1.94	7.52	1.97	7.85	2.00
					33	6.14	1.89	6.45	1.92	6.76	1.95	6.92	1.97	7.07	1.98	7.39	2.02	7.72	2.05
					35	6.01	1.93	6.32	1.97	6.63	2.00	6.80	2.01	6.95	2.03	7.27	2.06	7.59	2.10
					37	5.88	1.98	6.19	2.01	6.50	2.04	6.66	2.06	6.82	2.08	7.14	2.11	7.47	2.14
					39	5.75	2.03	6.06	2.06	6.38	2.09	6.53	2.11	6.69	2.13	7.02	2.16	7.34	2.19
42	5.56	2.10	5.87	2.13	6.19	2.17	6.34	2.18	6.50	2.20	6.83	2.23	7.15	2.27					
44	5.43	2.15	5.74	2.18	6.06	2.21	6.22	2.23	6.38	2.25	6.70	2.28	7.03	2.32					
46	5.31	2.20	5.62	2.23	5.93	2.26	6.09	2.28	6.25	2.30	6.58	2.33	6.91	2.37					
2000	2500	2500	7000	103%	10	7.65	1.41	7.95	1.44	8.25	1.47	8.41	1.49	8.56	1.50	8.87	1.53	9.19	1.56
					12	7.51	1.45	7.81	1.48	8.12	1.51	8.27	1.52	8.43	1.54	8.74	1.57	9.06	1.60
					14	7.38	1.49	7.68	1.52	7.99	1.55	8.14	1.56	8.30	1.58	8.61	1.61	8.93	1.64
					16	7.25	1.53	7.55	1.56	7.86	1.59	8.01	1.60	8.17	1.62	8.48	1.65	8.80	1.68
					18	7.12	1.57	7.42	1.60	7.73	1.63	7.88	1.64	8.04	1.66	8.35	1.69	8.68	1.72
					20	6.99	1.61	7.29	1.64	7.60	1.67	7.75	1.68	7.91	1.70	8.23	1.73	8.55	1.76
					21	6.92	1.63	7.22	1.66	7.53	1.69	7.69	1.70	7.84	1.72	8.16	1.75	8.48	1.78
					23	6.79	1.67	7.09	1.70	7.40	1.73	7.56	1.75	7.71	1.76	8.03	1.79	8.35	1.83
					25	6.66	1.71	6.96	1.74	7.27	1.77	7.43	1.79	7.59	1.81	7.90	1.84	8.23	1.87
					27	6.53	1.75	6.83	1.79	7.14	1.82	7.30	1.83	7.46	1.85	7.78	1.88	8.10	1.91
					29	6.40	1.80	6.70	1.83	7.01	1.86	7.17	1.88	7.33	1.89	7.65	1.93	7.97	1.96
					31	6.27	1.84	6.57	1.87	6.89	1.91	7.04	1.92	7.20	1.94	7.52	1.97	7.85	2.00
					33	6.14	1.89	6.45	1.92	6.76	1.95	6.92	1.97	7.07	1.98	7.39	2.02	7.72	2.05
					35	6.01	1.93	6.32	1.97	6.63	2.00	6.80	2.01	6.95	2.03	7.27	2.06	7.59	2.10
					37	5.88	1.98	6.19	2.01	6.50	2.04	6.66	2.06	6.82	2.08	7.14	2.11	7.47	2.14
					39	5.75	2.03	6.06	2.06	6.38	2.09	6.53	2.11	6.69	2.13	7.02	2.16	7.34	2.19
42	5.56	2.10	5.87	2.13	6.19	2.17	6.34	2.18	6.50	2.20	6.83	2.23	7.15	2.27					
44	5.43	2.15	5.74	2.18	6.06	2.21	6.22	2.23	6.38	2.25	6.70	2.28	7.03	2.32					
46	5.31	2.20	5.62	2.23	5.93	2.26	6.09	2.28	6.25	2.30	6.58	2.33	6.91	2.37					

12. Capacity Table

Combination (Capacity Index)			Combination (Total)	Combination (%)	Outdoor Temperature (°C,DB)	Indoor Temperature(°C, WB)													
						14		16		18		19		20		22		24	
						TC(kW)	PI(kW)	TC(kW)	PI(kW)	TC(kW)	PI(kW)	TC(kW)	PI(kW)	TC(kW)	PI(kW)	TC(kW)	PI(kW)	TC(kW)	PI(kW)
2000	2500	3500	8000	118%	10	7.65	1.44	7.95	1.47	8.25	1.50	8.41	1.52	8.56	1.53	8.87	1.56	9.19	1.59
					12	7.51	1.48	7.81	1.51	8.12	1.54	8.27	1.55	8.43	1.57	8.74	1.60	9.06	1.63
					14	7.38	1.52	7.68	1.55	7.99	1.58	8.14	1.59	8.30	1.61	8.61	1.64	8.93	1.67
					16	7.25	1.56	7.55	1.59	7.86	1.62	8.01	1.63	8.17	1.65	8.48	1.68	8.80	1.71
					18	7.12	1.60	7.42	1.63	7.73	1.66	7.88	1.68	8.04	1.69	8.35	1.72	8.68	1.75
					20	6.99	1.64	7.29	1.67	7.60	1.70	7.75	1.72	7.91	1.73	8.23	1.76	8.55	1.80
					21	6.92	1.66	7.22	1.69	7.53	1.72	7.69	1.74	7.84	1.75	8.16	1.79	8.48	1.82
					23	6.79	1.70	7.09	1.73	7.40	1.77	7.56	1.78	7.71	1.80	8.03	1.83	8.35	1.86
					25	6.66	1.74	6.96	1.78	7.27	1.81	7.43	1.83	7.59	1.84	7.90	1.87	8.23	1.91
					27	6.53	1.79	6.83	1.82	7.14	1.85	7.30	1.87	7.46	1.89	7.78	1.92	8.10	1.95
					29	6.40	1.83	6.70	1.87	7.01	1.90	7.17	1.91	7.33	1.93	7.65	1.96	7.97	2.00
					31	6.27	1.88	6.57	1.91	6.89	1.94	7.04	1.96	7.20	1.98	7.52	2.01	7.85	2.04
					33	6.14	1.92	6.45	1.96	6.76	1.99	6.92	2.01	7.07	2.02	7.39	2.06	7.72	2.09
					35	6.01	1.97	6.32	2.00	6.63	2.04	6.80	2.05	6.95	2.07	7.27	2.10	7.59	2.14
					37	5.88	2.02	6.19	2.05	6.50	2.09	6.66	2.10	6.82	2.12	7.14	2.15	7.47	2.19
					39	5.75	2.07	6.06	2.10	6.38	2.13	6.53	2.15	6.69	2.17	7.02	2.20	7.34	2.24
42	5.56	2.14	5.87	2.17	6.19	2.21	6.34	2.23	6.50	2.24	6.83	2.28	7.15	2.31					
44	5.43	2.19	5.74	2.22	6.06	2.26	6.22	2.28	6.38	2.29	6.70	2.33	7.03	2.36					
46	5.31	2.24	5.62	2.28	5.93	2.31	6.09	2.33	6.25	2.34	6.58	2.38	6.91	2.41					
2000	2500	5000	9500	140%	10	7.65	1.45	7.95	1.48	8.25	1.51	8.41	1.52	8.56	1.54	8.87	1.57	9.19	1.60
					12	7.51	1.48	7.81	1.52	8.12	1.55	8.27	1.56	8.43	1.58	8.74	1.61	9.06	1.64
					14	7.38	1.52	7.68	1.55	7.99	1.59	8.14	1.60	8.30	1.62	8.61	1.65	8.93	1.68
					16	7.25	1.56	7.55	1.60	7.86	1.63	8.01	1.64	8.17	1.66	8.48	1.69	8.80	1.72
					18	7.12	1.60	7.42	1.64	7.73	1.67	7.88	1.68	8.04	1.70	8.35	1.73	8.68	1.76
					20	6.99	1.65	7.29	1.68	7.60	1.71	7.75	1.73	7.91	1.74	8.23	1.77	8.55	1.81
					21	6.92	1.67	7.22	1.70	7.53	1.73	7.69	1.75	7.84	1.76	8.16	1.79	8.48	1.83
					23	6.79	1.71	7.09	1.74	7.40	1.77	7.56	1.79	7.71	1.81	8.03	1.84	8.35	1.87
					25	6.66	1.75	6.96	1.79	7.27	1.82	7.43	1.83	7.59	1.85	7.90	1.88	8.23	1.92
					27	6.53	1.80	6.83	1.83	7.14	1.86	7.30	1.88	7.46	1.90	7.78	1.93	8.10	1.96
					29	6.40	1.84	6.70	1.87	7.01	1.91	7.17	1.92	7.33	1.94	7.65	1.97	7.97	2.01
					31	6.27	1.89	6.57	1.92	6.89	1.95	7.04	1.97	7.20	1.99	7.52	2.02	7.85	2.05
					33	6.14	1.93	6.45	1.97	6.76	2.00	6.92	2.02	7.07	2.03	7.39	2.07	7.72	2.10
					35	6.01	1.98	6.32	2.01	6.63	2.05	6.80	2.06	6.95	2.08	7.27	2.11	7.59	2.15
					37	5.88	2.03	6.19	2.06	6.50	2.10	6.66	2.11	6.82	2.13	7.14	2.16	7.47	2.20
					39	5.75	2.08	6.06	2.11	6.38	2.14	6.53	2.16	6.69	2.18	7.02	2.21	7.34	2.25
42	5.56	2.15	5.87	2.19	6.19	2.22	6.34	2.24	6.50	2.25	6.83	2.29	7.15	2.32					
44	5.43	2.20	5.74	2.24	6.06	2.27	6.22	2.29	6.38	2.30	6.70	2.34	7.03	2.37					
46	5.31	2.25	5.62	2.29	5.93	2.32	6.09	2.34	6.25	2.36	6.58	2.39	6.91	2.42					

12. Capacity Table

Combination (Capacity Index)			Combination (Total)	Combination (%)	Outdoor Temperature (°C, DB)	Indoor Temperature(°C, WB)													
						14		16		18		19		20		22		24	
						TC(kW)	PI(kW)	TC(kW)	PI(kW)	TC(kW)	PI(kW)	TC(kW)	PI(kW)	TC(kW)	PI(kW)	TC(kW)	PI(kW)	TC(kW)	PI(kW)
2000	3500	3500	9000	132%	10	7.65	1.49	7.95	1.53	8.25	1.56	8.41	1.57	8.56	1.59	8.87	1.62	9.19	1.65
					12	7.51	1.53	7.81	1.57	8.12	1.60	8.27	1.61	8.43	1.63	8.74	1.66	9.06	1.69
					14	7.38	1.58	7.68	1.61	7.99	1.64	8.14	1.66	8.30	1.67	8.61	1.70	8.93	1.74
					16	7.25	1.62	7.55	1.65	7.86	1.68	8.01	1.70	8.17	1.71	8.48	1.75	8.80	1.78
					18	7.12	1.66	7.42	1.69	7.73	1.72	7.88	1.74	8.04	1.76	8.35	1.79	8.68	1.82
					20	6.99	1.70	7.29	1.73	7.60	1.77	7.75	1.78	7.91	1.80	8.23	1.83	8.55	1.87
					21	6.92	1.72	7.22	1.76	7.53	1.79	7.69	1.81	7.84	1.82	8.16	1.86	8.48	1.89
					23	6.79	1.77	7.09	1.80	7.40	1.83	7.56	1.85	7.71	1.87	8.03	1.90	8.35	1.93
					25	6.66	1.81	6.96	1.85	7.27	1.88	7.43	1.90	7.59	1.91	7.90	1.95	8.23	1.98
					27	6.53	1.86	6.83	1.89	7.14	1.93	7.30	1.94	7.46	1.96	7.78	1.99	8.10	2.03
					29	6.40	1.90	6.70	1.94	7.01	1.97	7.17	1.99	7.33	2.01	7.65	2.04	7.97	2.07
					31	6.27	1.95	6.57	1.99	6.89	2.02	7.04	2.04	7.20	2.05	7.52	2.09	7.85	2.12
					33	6.14	2.00	6.45	2.03	6.76	2.07	6.92	2.09	7.07	2.10	7.39	2.14	7.72	2.17
					35	6.01	2.05	6.32	2.08	6.63	2.12	6.80	2.13	6.95	2.15	7.27	2.19	7.59	2.22
					37	5.88	2.10	6.19	2.13	6.50	2.17	6.66	2.18	6.82	2.20	7.14	2.24	7.47	2.27
					39	5.75	2.15	6.06	2.18	6.38	2.22	6.53	2.24	6.69	2.25	7.02	2.29	7.34	2.32
42	5.56	2.22	5.87	2.26	6.19	2.29	6.34	2.31	6.50	2.33	6.83	2.37	7.15	2.40					
44	5.43	2.28	5.74	2.31	6.06	2.35	6.22	2.36	6.38	2.38	6.70	2.42	7.03	2.45					
46	5.31	2.33	5.62	2.36	5.93	2.40	6.09	2.42	6.25	2.44	6.58	2.47	6.91	2.51					
2000	3500	5000	10500	154%	10	7.65	1.42	7.95	1.45	8.25	1.49	8.41	1.50	8.56	1.52	8.87	1.55	9.19	1.58
					12	7.51	1.46	7.81	1.49	8.12	1.52	8.27	1.54	8.43	1.55	8.74	1.58	9.06	1.62
					14	7.38	1.50	7.68	1.53	7.99	1.56	8.14	1.58	8.30	1.59	8.61	1.62	8.93	1.66
					16	7.25	1.54	7.55	1.57	7.86	1.60	8.01	1.62	8.17	1.63	8.48	1.66	8.80	1.70
					18	7.12	1.58	7.42	1.61	7.73	1.64	7.88	1.66	8.04	1.67	8.35	1.71	8.68	1.74
					20	6.99	1.62	7.29	1.65	7.60	1.68	7.75	1.70	7.91	1.72	8.23	1.75	8.55	1.78
					21	6.92	1.64	7.22	1.67	7.53	1.71	7.69	1.72	7.84	1.74	8.16	1.77	8.48	1.80
					23	6.79	1.68	7.09	1.72	7.40	1.75	7.56	1.76	7.71	1.78	8.03	1.81	8.35	1.84
					25	6.66	1.73	6.96	1.76	7.27	1.79	7.43	1.81	7.59	1.82	7.90	1.86	8.23	1.89
					27	6.53	1.77	6.83	1.80	7.14	1.84	7.30	1.85	7.46	1.87	7.78	1.90	8.10	1.93
					29	6.40	1.82	6.70	1.85	7.01	1.88	7.17	1.90	7.33	1.91	7.65	1.94	7.97	1.98
					31	6.27	1.86	6.57	1.89	6.89	1.93	7.04	1.94	7.20	1.96	7.52	1.99	7.85	2.02
					33	6.14	1.91	6.45	1.94	6.76	1.97	6.92	1.99	7.07	2.00	7.39	2.04	7.72	2.07
					35	6.01	1.95	6.32	1.98	6.63	2.02	6.80	2.03	6.95	2.05	7.27	2.08	7.59	2.12
					37	5.88	2.00	6.19	2.03	6.50	2.07	6.66	2.08	6.82	2.10	7.14	2.13	7.47	2.16
					39	5.75	2.05	6.06	2.08	6.38	2.11	6.53	2.13	6.69	2.15	7.02	2.18	7.34	2.21
42	5.56	2.12	5.87	2.15	6.19	2.19	6.34	2.20	6.50	2.22	6.83	2.25	7.15	2.29					
44	5.43	2.17	5.74	2.20	6.06	2.24	6.22	2.25	6.38	2.27	6.70	2.30	7.03	2.34					
46	5.31	2.22	5.62	2.25	5.93	2.29	6.09	2.30	6.25	2.32	6.58	2.36	6.91	2.39					

12. Capacity Table

Combination (Capacity Index)			Combination (Total)	Combination (%)	Outdoor Temperature (°C,DB)	Indoor Temperature(°C, WB)													
						14		16		18		19		20		22		24	
						TC(kW)	PI(kW)	TC(kW)	PI(kW)	TC(kW)	PI(kW)	TC(kW)	PI(kW)	TC(kW)	PI(kW)	TC(kW)	PI(kW)	TC(kW)	PI(kW)
2500	2500	2500	7500	110%	10	7.65	1.42	7.95	1.45	8.25	1.48	8.41	1.49	8.56	1.51	8.87	1.54	9.19	1.57
					12	7.51	1.46	7.81	1.49	8.12	1.52	8.27	1.53	8.43	1.55	8.74	1.58	9.06	1.61
					14	7.38	1.49	7.68	1.52	7.99	1.56	8.14	1.57	8.30	1.59	8.61	1.62	8.93	1.65
					16	7.25	1.53	7.55	1.56	7.86	1.59	8.01	1.61	8.17	1.63	8.48	1.66	8.80	1.69
					18	7.12	1.57	7.42	1.60	7.73	1.64	7.88	1.65	8.04	1.67	8.35	1.70	8.68	1.73
					20	6.99	1.61	7.29	1.65	7.60	1.68	7.75	1.69	7.91	1.71	8.23	1.74	8.55	1.77
					21	6.92	1.63	7.22	1.67	7.53	1.70	7.69	1.71	7.84	1.73	8.16	1.76	8.48	1.79
					23	6.79	1.68	7.09	1.71	7.40	1.74	7.56	1.76	7.71	1.77	8.03	1.80	8.35	1.83
					25	6.66	1.72	6.96	1.75	7.27	1.78	7.43	1.80	7.59	1.81	7.90	1.85	8.23	1.88
					27	6.53	1.76	6.83	1.79	7.14	1.83	7.30	1.84	7.46	1.86	7.78	1.89	8.10	1.92
					29	6.40	1.81	6.70	1.84	7.01	1.87	7.17	1.89	7.33	1.90	7.65	1.93	7.97	1.97
					31	6.27	1.85	6.57	1.88	6.89	1.92	7.04	1.93	7.20	1.95	7.52	1.98	7.85	2.01
					33	6.14	1.90	6.45	1.93	6.76	1.96	6.92	1.98	7.07	1.99	7.39	2.03	7.72	2.06
					35	6.01	1.94	6.32	1.98	6.63	2.01	6.80	2.02	6.95	2.04	7.27	2.07	7.59	2.11
					37	5.88	1.99	6.19	2.02	6.50	2.06	6.66	2.07	6.82	2.09	7.14	2.12	7.47	2.15
					39	5.75	2.04	6.06	2.07	6.38	2.10	6.53	2.12	6.69	2.14	7.02	2.17	7.34	2.20
42	5.56	2.11	5.87	2.14	6.19	2.18	6.34	2.19	6.50	2.21	6.83	2.24	7.15	2.28					
44	5.43	2.16	5.74	2.19	6.06	2.23	6.22	2.24	6.38	2.26	6.70	2.29	7.03	2.33					
46	5.31	2.21	5.62	2.24	5.93	2.28	6.09	2.29	6.25	2.31	6.58	2.34	6.91	2.38					
2500	2500	3500	8500	125%	10	7.65	1.45	7.95	1.48	8.25	1.51	8.41	1.53	8.56	1.55	8.87	1.58	9.19	1.61
					12	7.51	1.49	7.81	1.52	8.12	1.55	8.27	1.57	8.43	1.58	8.74	1.62	9.06	1.65
					14	7.38	1.53	7.68	1.56	7.99	1.59	8.14	1.61	8.30	1.63	8.61	1.66	8.93	1.69
					16	7.25	1.57	7.55	1.60	7.86	1.63	8.01	1.65	8.17	1.67	8.48	1.70	8.80	1.73
					18	7.12	1.61	7.42	1.64	7.73	1.68	7.88	1.69	8.04	1.71	8.35	1.74	8.68	1.77
					20	6.99	1.65	7.29	1.69	7.60	1.72	7.75	1.73	7.91	1.75	8.23	1.78	8.55	1.81
					21	6.92	1.68	7.22	1.71	7.53	1.74	7.69	1.76	7.84	1.77	8.16	1.80	8.48	1.84
					23	6.79	1.72	7.09	1.75	7.40	1.78	7.56	1.80	7.71	1.82	8.03	1.85	8.35	1.88
					25	6.66	1.76	6.96	1.79	7.27	1.83	7.43	1.84	7.59	1.86	7.90	1.89	8.23	1.92
					27	6.53	1.81	6.83	1.84	7.14	1.87	7.30	1.89	7.46	1.90	7.78	1.94	8.10	1.97
					29	6.40	1.85	6.70	1.88	7.01	1.92	7.17	1.93	7.33	1.95	7.65	1.98	7.97	2.02
					31	6.27	1.90	6.57	1.93	6.89	1.96	7.04	1.98	7.20	2.00	7.52	2.03	7.85	2.06
					33	6.14	1.94	6.45	1.98	6.76	2.01	6.92	2.03	7.07	2.04	7.39	2.08	7.72	2.11
					35	6.01	1.99	6.32	2.02	6.63	2.06	6.80	2.07	6.95	2.09	7.27	2.12	7.59	2.16
					37	5.88	2.04	6.19	2.07	6.50	2.11	6.66	2.12	6.82	2.14	7.14	2.17	7.47	2.21
					39	5.75	2.09	6.06	2.12	6.38	2.16	6.53	2.17	6.69	2.19	7.02	2.22	7.34	2.26
42	5.56	2.16	5.87	2.20	6.19	2.23	6.34	2.25	6.50	2.26	6.83	2.30	7.15	2.33					
44	5.43	2.21	5.74	2.25	6.06	2.28	6.22	2.30	6.38	2.32	6.70	2.35	7.03	2.38					
46	5.31	2.26	5.62	2.30	5.93	2.33	6.09	2.35	6.25	2.37	6.58	2.40	6.91	2.44					

12. Capacity Table

Combination (Capacity Index)			Combination (Total)	Combination (%)	Outdoor Temperature (°C, DB)	Indoor Temperature(°C, WB)													
						14		16		18		19		20		22		24	
						TC(kW)	PI(kW)	TC(kW)	PI(kW)	TC(kW)	PI(kW)	TC(kW)	PI(kW)	TC(kW)	PI(kW)	TC(kW)	PI(kW)	TC(kW)	PI(kW)
2500	2500	5000	10000	147%	10	7.65	1.40	7.95	1.43	8.25	1.46	8.41	1.48	8.56	1.49	8.87	1.52	9.19	1.55
					12	7.51	1.44	7.81	1.47	8.12	1.50	8.27	1.52	8.43	1.53	8.74	1.56	9.06	1.59
					14	7.38	1.48	7.68	1.51	7.99	1.54	8.14	1.55	8.30	1.57	8.61	1.60	8.93	1.63
					16	7.25	1.52	7.55	1.55	7.86	1.58	8.01	1.59	8.17	1.61	8.48	1.64	8.80	1.67
					18	7.12	1.56	7.42	1.59	7.73	1.62	7.88	1.63	8.04	1.65	8.35	1.68	8.68	1.71
					20	6.99	1.60	7.29	1.63	7.60	1.66	7.75	1.68	7.91	1.69	8.23	1.72	8.55	1.75
					21	6.92	1.62	7.22	1.65	7.53	1.68	7.69	1.70	7.84	1.71	8.16	1.74	8.48	1.77
					23	6.79	1.66	7.09	1.69	7.40	1.72	7.56	1.74	7.71	1.75	8.03	1.78	8.35	1.82
					25	6.66	1.70	6.96	1.73	7.27	1.76	7.43	1.78	7.59	1.80	7.90	1.83	8.23	1.86
					27	6.53	1.74	6.83	1.78	7.14	1.81	7.30	1.82	7.46	1.84	7.78	1.87	8.10	1.90
					29	6.40	1.79	6.70	1.82	7.01	1.85	7.17	1.87	7.33	1.88	7.65	1.92	7.97	1.95
					31	6.27	1.83	6.57	1.86	6.89	1.90	7.04	1.91	7.20	1.93	7.52	1.96	7.85	1.99
					33	6.14	1.88	6.45	1.91	6.76	1.94	6.92	1.96	7.07	1.97	7.39	2.01	7.72	2.04
					35	6.01	1.92	6.32	1.96	6.63	1.99	6.80	2.00	6.95	2.02	7.27	2.05	7.59	2.09
					37	5.88	1.97	6.19	2.00	6.50	2.03	6.66	2.05	6.82	2.07	7.14	2.10	7.47	2.13
					39	5.75	2.02	6.06	2.05	6.38	2.08	6.53	2.10	6.69	2.12	7.02	2.15	7.34	2.18
42	5.56	2.09	5.87	2.12	6.19	2.15	6.34	2.17	6.50	2.19	6.83	2.22	7.15	2.25					
44	5.43	2.14	5.74	2.17	6.06	2.20	6.22	2.22	6.38	2.24	6.70	2.27	7.03	2.30					
46	5.31	2.19	5.62	2.22	5.93	2.25	6.09	2.27	6.25	2.29	6.58	2.32	6.91	2.35					
2500	3500	3500	9500	140%	10	7.65	1.45	7.95	1.48	8.25	1.51	8.41	1.52	8.56	1.54	8.87	1.57	9.19	1.60
					12	7.51	1.48	7.81	1.52	8.12	1.55	8.27	1.56	8.43	1.58	8.74	1.61	9.06	1.64
					14	7.38	1.52	7.68	1.55	7.99	1.59	8.14	1.60	8.30	1.62	8.61	1.65	8.93	1.68
					16	7.25	1.56	7.55	1.60	7.86	1.63	8.01	1.64	8.17	1.66	8.48	1.69	8.80	1.72
					18	7.12	1.60	7.42	1.64	7.73	1.67	7.88	1.68	8.04	1.70	8.35	1.73	8.68	1.76
					20	6.99	1.65	7.29	1.68	7.60	1.71	7.75	1.73	7.91	1.74	8.23	1.77	8.55	1.81
					21	6.92	1.67	7.22	1.70	7.53	1.73	7.69	1.75	7.84	1.76	8.16	1.79	8.48	1.83
					23	6.79	1.71	7.09	1.74	7.40	1.77	7.56	1.79	7.71	1.81	8.03	1.84	8.35	1.87
					25	6.66	1.75	6.96	1.79	7.27	1.82	7.43	1.83	7.59	1.85	7.90	1.88	8.23	1.92
					27	6.53	1.80	6.83	1.83	7.14	1.86	7.30	1.88	7.46	1.90	7.78	1.93	8.10	1.96
					29	6.40	1.84	6.70	1.87	7.01	1.91	7.17	1.92	7.33	1.94	7.65	1.97	7.97	2.01
					31	6.27	1.89	6.57	1.92	6.89	1.95	7.04	1.97	7.20	1.99	7.52	2.02	7.85	2.05
					33	6.14	1.93	6.45	1.97	6.76	2.00	6.92	2.02	7.07	2.03	7.39	2.07	7.72	2.10
					35	6.01	1.98	6.32	2.01	6.63	2.05	6.80	2.06	6.95	2.08	7.27	2.11	7.59	2.15
					37	5.88	2.03	6.19	2.06	6.50	2.10	6.66	2.11	6.82	2.13	7.14	2.16	7.47	2.20
					39	5.75	2.08	6.06	2.11	6.38	2.14	6.53	2.16	6.69	2.18	7.02	2.21	7.34	2.25
42	5.56	2.15	5.87	2.19	6.19	2.22	6.34	2.24	6.50	2.25	6.83	2.29	7.15	2.32					
44	5.43	2.20	5.74	2.24	6.06	2.27	6.22	2.29	6.38	2.30	6.70	2.34	7.03	2.37					
46	5.31	2.25	5.62	2.29	5.93	2.32	6.09	2.34	6.25	2.36	6.58	2.39	6.91	2.42					

12. Capacity Table

Combination (Capacity Index)			Combination (Total)	Combination (%)	Outdoor Temperature (°C,DB)	Indoor Temperature(°C,WB)													
						14		16		18		19		20		22		24	
						TC(kW)	PI(kW)	TC(kW)	PI(kW)	TC(kW)	PI(kW)	TC(kW)	PI(kW)	TC(kW)	PI(kW)	TC(kW)	PI(kW)	TC(kW)	PI(kW)
2500	3500	5000	11000	162%	10	7.65	1.45	7.95	1.48	8.25	1.51	8.41	1.52	8.56	1.54	8.87	1.57	9.19	1.60
					12	7.51	1.48	7.81	1.52	8.12	1.55	8.27	1.56	8.43	1.58	8.74	1.61	9.06	1.64
					14	7.38	1.52	7.68	1.55	7.99	1.59	8.14	1.60	8.30	1.62	8.61	1.65	8.93	1.68
					16	7.25	1.56	7.55	1.60	7.86	1.63	8.01	1.64	8.17	1.66	8.48	1.69	8.80	1.72
					18	7.12	1.60	7.42	1.64	7.73	1.67	7.88	1.68	8.04	1.70	8.35	1.73	8.68	1.76
					20	6.99	1.65	7.29	1.68	7.60	1.71	7.75	1.73	7.91	1.74	8.23	1.77	8.55	1.81
					21	6.92	1.67	7.22	1.70	7.53	1.73	7.69	1.75	7.84	1.76	8.16	1.79	8.48	1.83
					23	6.79	1.71	7.09	1.74	7.40	1.77	7.56	1.79	7.71	1.81	8.03	1.84	8.35	1.87
					25	6.66	1.75	6.96	1.79	7.27	1.82	7.43	1.83	7.59	1.85	7.90	1.88	8.23	1.92
					27	6.53	1.80	6.83	1.83	7.14	1.86	7.30	1.88	7.46	1.90	7.78	1.93	8.10	1.96
					29	6.40	1.84	6.70	1.87	7.01	1.91	7.17	1.92	7.33	1.94	7.65	1.97	7.97	2.01
					31	6.27	1.89	6.57	1.92	6.89	1.95	7.04	1.97	7.20	1.99	7.52	2.02	7.85	2.05
					33	6.14	1.93	6.45	1.97	6.76	2.00	6.92	2.02	7.07	2.03	7.39	2.07	7.72	2.10
					35	6.01	1.98	6.32	2.01	6.63	2.05	6.80	2.06	6.95	2.08	7.27	2.11	7.59	2.15
					37	5.88	2.03	6.19	2.06	6.50	2.10	6.66	2.11	6.82	2.13	7.14	2.16	7.47	2.20
					39	5.75	2.08	6.06	2.11	6.38	2.14	6.53	2.16	6.69	2.18	7.02	2.21	7.34	2.25
42	5.56	2.15	5.87	2.19	6.19	2.22	6.34	2.24	6.50	2.25	6.83	2.29	7.15	2.32					
44	5.43	2.20	5.74	2.24	6.06	2.27	6.22	2.29	6.38	2.30	6.70	2.34	7.03	2.37					
46	5.31	2.25	5.62	2.29	5.93	2.32	6.09	2.34	6.25	2.36	6.58	2.39	6.91	2.42					
3500	3500	3500	10500	154%	10	7.65	1.45	7.95	1.48	8.25	1.51	8.41	1.52	8.56	1.54	8.87	1.57	9.19	1.60
					12	7.51	1.48	7.81	1.52	8.12	1.55	8.27	1.56	8.43	1.58	8.74	1.61	9.06	1.64
					14	7.38	1.52	7.68	1.55	7.99	1.59	8.14	1.60	8.30	1.62	8.61	1.65	8.93	1.68
					16	7.25	1.56	7.55	1.60	7.86	1.63	8.01	1.64	8.17	1.66	8.48	1.69	8.80	1.72
					18	7.12	1.60	7.42	1.64	7.73	1.67	7.88	1.68	8.04	1.70	8.35	1.73	8.68	1.76
					20	6.99	1.65	7.29	1.68	7.60	1.71	7.75	1.73	7.91	1.74	8.23	1.77	8.55	1.81
					21	6.92	1.67	7.22	1.70	7.53	1.73	7.69	1.75	7.84	1.76	8.16	1.79	8.48	1.83
					23	6.79	1.71	7.09	1.74	7.40	1.77	7.56	1.79	7.71	1.81	8.03	1.84	8.35	1.87
					25	6.66	1.75	6.96	1.79	7.27	1.82	7.43	1.83	7.59	1.85	7.90	1.88	8.23	1.92
					27	6.53	1.80	6.83	1.83	7.14	1.86	7.30	1.88	7.46	1.90	7.78	1.93	8.10	1.96
					29	6.40	1.84	6.70	1.87	7.01	1.91	7.17	1.92	7.33	1.94	7.65	1.97	7.97	2.01
					31	6.27	1.89	6.57	1.92	6.89	1.95	7.04	1.97	7.20	1.99	7.52	2.02	7.85	2.05
					33	6.14	1.93	6.45	1.97	6.76	2.00	6.92	2.02	7.07	2.03	7.39	2.07	7.72	2.10
					35	6.01	1.98	6.32	2.01	6.63	2.05	6.80	2.06	6.95	2.08	7.27	2.11	7.59	2.15
					37	5.88	2.03	6.19	2.06	6.50	2.10	6.66	2.11	6.82	2.13	7.14	2.16	7.47	2.20
					39	5.75	2.08	6.06	2.11	6.38	2.14	6.53	2.16	6.69	2.18	7.02	2.21	7.34	2.25
42	5.56	2.15	5.87	2.19	6.19	2.22	6.34	2.24	6.50	2.25	6.83	2.29	7.15	2.32					
44	5.43	2.20	5.74	2.24	6.06	2.27	6.22	2.29	6.38	2.30	6.70	2.34	7.03	2.37					
46	5.31	2.25	5.62	2.29	5.93	2.32	6.09	2.34	6.25	2.36	6.58	2.39	6.91	2.42					

NOTE

- Cooling capacity is based on 27°CDB / 19°CWB (indoor temperature), 35°CDB (outdoor temperature).
- Heating capacity is based on 20°CDB (indoor temperature), 7°CDB/6°CWB (outdoor temperature).
- The above is the value for connecting with the following indoor units.
 - 2000, 2500, 3500, 5000W class : AR07TXFCawkNEU, AR09TXFCawkNEU, AR12TXFCawkNEU, AR18TXEAAwkNEU
- Capacities are based on the following conditions:
 - Corresponding refrigerant piping length : 5m / - Level difference : 0m
- The total ability of connected a indoor unit is up to 7.5kW
- It is impossible to connect the indoor unit for one room only.
- This data is reference data for temperature capacity trend.

12. Capacity Table

12-4. AJ068TXJ3KG/EU

Heating

Combination (Capacity Index)			Combination (Total)	Combination (%)	Outdoor Temperature (°C,DB)	Indoor Temperature(°C, DB)													
						14		16		18		20		21		22		24	
						TC(kW)	PI(kW)	TC(kW)	PI(kW)	TC(kW)	PI(kW)	TC(kW)	PI(kW)	TC(kW)	PI(kW)	TC(kW)	PI(kW)	TC(kW)	PI(kW)
2000			2000	29%	-15	1.26	0.76	1.22	0.77	1.18	0.78	1.17	0.78	1.15	0.79	1.13	0.79	1.11	0.80
					-10	1.51	0.79	1.47	0.81	1.43	0.82	1.41	0.82	1.40	0.83	1.37	0.83	1.34	0.84
					-5	1.76	0.83	1.71	0.85	1.67	0.86	1.66	0.86	1.64	0.87	1.61	0.88	1.58	0.88
					0	2.01	0.87	1.96	0.89	1.92	0.90	1.90	0.90	1.88	0.91	1.85	0.92	1.82	0.93
					2	2.11	0.89	2.06	0.90	2.02	0.91	2.00	0.92	1.98	0.92	1.95	0.93	1.92	0.94
					7	2.31	0.92	2.26	0.93	2.21	0.95	2.20	0.95	2.17	0.96	2.14	0.97	2.11	0.98
					10	2.51	0.95	2.46	0.96	2.41	0.98	2.39	0.98	2.37	0.99	2.33	1.00	2.30	1.01
2500			2500	37%	-15	1.89	0.91	1.83	0.93	1.78	0.94	1.75	0.95	1.73	0.95	1.69	0.96	1.66	0.97
					-10	2.26	0.96	2.20	0.98	2.14	0.99	2.12	1.00	2.09	1.00	2.05	1.01	2.02	1.02
					-5	2.64	1.01	2.57	1.02	2.51	1.04	2.48	1.04	2.46	1.05	2.41	1.06	2.37	1.07
					0	3.01	1.06	2.94	1.07	2.88	1.09	2.85	1.09	2.82	1.10	2.77	1.11	2.73	1.12
					2	3.16	1.08	3.09	1.09	3.03	1.11	3.00	1.11	2.97	1.12	2.92	1.13	2.87	1.14
					7	3.46	1.11	3.39	1.13	3.32	1.14	3.30	1.15	3.26	1.16	3.21	1.17	3.16	1.18
					10	3.76	1.15	3.69	1.17	3.62	1.18	3.59	1.19	3.55	1.20	3.50	1.21	3.45	1.22
3500			3500	51%	-15	2.29	1.07	2.22	1.09	2.15	1.10	2.13	1.11	2.10	1.12	2.05	1.13	2.01	1.14
					-10	2.74	1.13	2.67	1.15	2.60	1.16	2.57	1.17	2.54	1.17	2.49	1.19	2.44	1.20
					-5	3.20	1.19	3.12	1.20	3.04	1.22	3.01	1.23	2.98	1.23	2.92	1.25	2.88	1.26
					0	3.65	1.24	3.57	1.26	3.49	1.28	3.46	1.28	3.42	1.29	3.36	1.30	3.31	1.32
					2	3.83	1.26	3.75	1.28	3.67	1.30	3.63	1.31	3.60	1.31	3.54	1.33	3.48	1.34
					7	4.20	1.31	4.11	1.33	4.03	1.34	4.00	1.35	3.95	1.36	3.89	1.37	3.83	1.39
					10	4.56	1.35	4.47	1.37	4.38	1.39	4.35	1.40	4.31	1.41	4.24	1.42	4.18	1.43
5000			5000	74%	-15	3.21	1.45	3.11	1.47	3.02	1.49	2.98	1.50	2.94	1.50	2.87	1.52	2.82	1.53
					-10	3.84	1.52	3.73	1.55	3.64	1.57	3.60	1.57	3.55	1.58	3.48	1.60	3.42	1.61
					-5	4.48	1.60	4.36	1.62	4.26	1.64	4.22	1.65	4.17	1.66	4.09	1.68	4.03	1.69
					0	5.11	1.67	4.99	1.70	4.89	1.72	4.84	1.73	4.79	1.74	4.71	1.76	4.63	1.77
					2	5.37	1.70	5.25	1.73	5.14	1.75	5.09	1.76	5.04	1.77	4.95	1.79	4.88	1.81
					7	5.88	1.76	5.75	1.79	5.64	1.81	5.60	1.82	5.54	1.83	5.44	1.85	5.36	1.87
					10	6.39	1.82	6.26	1.85	6.14	1.87	6.08	1.88	6.03	1.89	5.94	1.92	5.85	1.93
2000	2000		4000	59%	-15	2.52	0.97	2.44	0.98	2.37	1.00	2.34	1.00	2.31	1.01	2.26	1.02	2.21	1.03
					-10	3.02	1.02	2.93	1.04	2.86	1.05	2.82	1.06	2.79	1.06	2.74	1.07	2.69	1.08
					-5	3.52	1.07	3.43	1.09	3.35	1.10	3.31	1.11	3.28	1.11	3.22	1.13	3.16	1.14
					0	4.02	1.12	3.92	1.14	3.84	1.15	3.80	1.16	3.76	1.17	3.70	1.18	3.64	1.19
					2	4.22	1.14	4.12	1.16	4.04	1.17	4.00	1.18	3.96	1.19	3.89	1.20	3.83	1.21
					7	4.62	1.18	4.52	1.20	4.43	1.21	4.40	1.22	4.35	1.23	4.28	1.24	4.21	1.25
					10	5.02	1.22	4.92	1.24	4.82	1.25	4.78	1.26	4.74	1.27	4.66	1.28	4.60	1.30
2000	2500		4500	66%	-15	3.15	1.18	3.05	1.20	2.96	1.22	2.92	1.22	2.89	1.23	2.82	1.24	2.77	1.25
					-10	3.77	1.25	3.67	1.27	3.57	1.28	3.53	1.29	3.49	1.30	3.42	1.31	3.36	1.32
					-5	4.40	1.31	4.29	1.33	4.19	1.35	4.14	1.35	4.10	1.36	4.02	1.37	3.96	1.39
					0	5.02	1.37	4.90	1.39	4.80	1.41	4.75	1.42	4.71	1.42	4.62	1.44	4.55	1.45
					2	5.27	1.39	5.15	1.41	5.05	1.43	5.00	1.44	4.95	1.45	4.86	1.47	4.79	1.48
					7	5.77	1.44	5.65	1.46	5.54	1.48	5.50	1.49	5.44	1.50	5.35	1.52	5.27	1.53
					10	6.27	1.49	6.15	1.51	6.03	1.53	5.98	1.54	5.92	1.55	5.83	1.57	5.75	1.58
					15	6.90	1.55	6.77	1.57	6.65	1.59	6.59	1.60	6.53	1.61	6.44	1.63	6.35	1.65

12. Capacity Table

Combination (Capacity Index)			Combination (Total)	Combination (%)	Outdoor Temperature (°C,DB)	Indoor Temperature(°C, DB)													
						14		16		18		20		21		22		24	
						TC(kW)	PI(kW)	TC(kW)	PI(kW)	TC(kW)	PI(kW)	TC(kW)	PI(kW)	TC(kW)	PI(kW)	TC(kW)	PI(kW)	TC(kW)	PI(kW)
2000	3500	5500	81%	-15	3.55	1.33	3.44	1.35	3.34	1.36	3.29	1.37	3.25	1.38	3.18	1.39	3.12	1.40	
				-10	4.25	1.40	4.13	1.42	4.03	1.44	3.98	1.45	3.94	1.45	3.86	1.47	3.79	1.48	
				-5	4.95	1.47	4.83	1.49	4.72	1.51	4.67	1.52	4.62	1.53	4.53	1.54	4.46	1.55	
				0	5.66	1.53	5.53	1.56	5.41	1.58	5.36	1.59	5.30	1.60	5.21	1.61	5.13	1.63	
				2	5.94	1.56	5.81	1.59	5.69	1.61	5.63	1.62	5.58	1.63	5.48	1.64	5.40	1.66	
				7	6.51	1.62	6.37	1.64	6.24	1.66	6.20	1.67	6.13	1.68	6.03	1.70	5.94	1.72	
				10	7.07	1.67	6.93	1.69	6.80	1.72	6.74	1.73	6.68	1.74	6.57	1.76	6.48	1.77	
				15	7.78	1.74	7.63	1.76	7.49	1.79	7.43	1.80	7.37	1.81	7.25	1.83	7.15	1.85	
2000	5000	7000	103%	-15	4.47	1.58	4.33	1.61	4.20	1.63	4.14	1.64	4.09	1.64	4.00	1.66	3.92	1.67	
				-10	5.35	1.66	5.20	1.69	5.07	1.71	5.01	1.72	4.95	1.73	4.85	1.75	4.77	1.76	
				-5	6.23	1.75	6.08	1.77	5.94	1.80	5.87	1.81	5.81	1.82	5.70	1.84	5.61	1.85	
				0	7.12	1.83	6.96	1.86	6.81	1.88	6.74	1.89	6.67	1.90	6.56	1.92	6.45	1.94	
				2	7.47	1.86	7.31	1.89	7.15	1.91	7.08	1.93	7.02	1.94	6.90	1.96	6.79	1.97	
				7	8.19	1.93	8.01	1.95	7.85	1.98	7.80	1.99	7.71	2.00	7.58	2.03	7.47	2.04	
				10	8.90	1.99	8.72	2.02	8.55	2.05	8.47	2.06	8.40	2.07	8.27	2.09	8.15	2.11	
				15	9.79	2.07	9.60	2.10	9.43	2.13	9.34	2.14	9.27	2.16	9.13	2.18	9.00	2.20	
2500	2500	5000	74%	-15	3.78	1.50	3.66	1.52	3.55	1.54	3.51	1.55	3.46	1.56	3.38	1.58	3.32	1.59	
				-10	4.53	1.58	4.40	1.60	4.29	1.63	4.24	1.64	4.19	1.64	4.10	1.66	4.03	1.67	
				-5	5.27	1.66	5.14	1.68	5.02	1.71	4.97	1.72	4.92	1.73	4.83	1.74	4.75	1.76	
				0	6.02	1.74	5.89	1.76	5.76	1.79	5.70	1.80	5.65	1.81	5.55	1.83	5.46	1.84	
				2	6.32	1.77	6.18	1.79	6.05	1.82	5.99	1.83	5.94	1.84	5.84	1.86	5.75	1.88	
				7	6.93	1.83	6.78	1.86	6.64	1.88	6.60	1.89	6.52	1.90	6.42	1.92	6.32	1.94	
				10	7.53	1.89	7.37	1.92	7.24	1.94	7.17	1.96	7.11	1.97	7.00	1.99	6.90	2.01	
				15	8.28	1.97	8.12	2.00	7.98	2.02	7.91	2.03	7.84	2.05	7.72	2.07	7.62	2.09	
2500	3500	6000	88%	-15	4.18	1.55	4.05	1.57	3.93	1.59	3.88	1.60	3.83	1.61	3.74	1.63	3.67	1.64	
				-10	5.01	1.63	4.87	1.66	4.74	1.68	4.69	1.69	4.63	1.70	4.54	1.71	4.46	1.73	
				-5	5.83	1.71	5.69	1.74	5.56	1.76	5.50	1.77	5.44	1.78	5.34	1.80	5.25	1.81	
				0	6.66	1.79	6.51	1.82	6.37	1.84	6.31	1.85	6.25	1.86	6.14	1.88	6.04	1.90	
				2	7.00	1.82	6.84	1.85	6.70	1.88	6.63	1.89	6.57	1.90	6.46	1.92	6.36	1.94	
				7	7.66	1.89	7.50	1.92	7.35	1.94	7.30	1.95	7.22	1.96	7.10	1.99	6.99	2.00	
				10	8.33	1.95	8.16	1.98	8.00	2.01	7.93	2.02	7.86	2.03	7.74	2.05	7.63	2.07	
				15	9.16	2.03	8.98	2.06	8.82	2.09	8.75	2.10	8.67	2.11	8.54	2.14	8.42	2.16	
2500	5000	7500	110%	-15	4.47	1.62	4.33	1.65	4.20	1.67	4.14	1.68	4.09	1.69	4.00	1.70	3.92	1.72	
				-10	5.35	1.71	5.20	1.73	5.07	1.75	5.01	1.77	4.95	1.77	4.85	1.79	4.77	1.81	
				-5	6.23	1.79	6.08	1.82	5.94	1.84	5.87	1.85	5.81	1.86	5.70	1.88	5.61	1.90	
				0	7.12	1.87	6.96	1.90	6.81	1.93	6.74	1.94	6.67	1.95	6.56	1.97	6.45	1.99	
				2	7.47	1.91	7.31	1.94	7.15	1.96	7.08	1.97	7.02	1.99	6.90	2.01	6.79	2.02	
				7	8.19	1.97	8.01	2.00	7.85	2.03	7.80	2.04	7.71	2.05	7.58	2.08	7.47	2.10	
				10	8.90	2.04	8.72	2.07	8.55	2.10	8.47	2.11	8.40	2.12	8.27	2.15	8.15	2.17	
				15	9.79	2.12	9.60	2.15	9.43	2.18	9.34	2.20	9.27	2.21	9.13	2.23	9.00	2.26	
3500	3500	7000	103%	-15	4.47	1.58	4.33	1.61	4.20	1.63	4.14	1.64	4.09	1.64	4.00	1.66	3.92	1.67	
				-10	5.35	1.66	5.20	1.69	5.07	1.71	5.01	1.72	4.95	1.73	4.85	1.75	4.77	1.76	
				-5	6.23	1.75	6.08	1.77	5.94	1.80	5.87	1.81	5.81	1.82	5.70	1.84	5.61	1.85	
				0	7.12	1.83	6.96	1.86	6.81	1.88	6.74	1.89	6.67	1.90	6.56	1.92	6.45	1.94	
				2	7.47	1.86	7.31	1.89	7.15	1.91	7.08	1.93	7.02	1.94	6.90	1.96	6.79	1.97	
				7	8.19	1.93	8.01	1.95	7.85	1.98	7.80	1.99	7.71	2.00	7.58	2.03	7.47	2.04	
				10	8.90	1.99	8.72	2.02	8.55	2.05	8.47	2.06	8.40	2.07	8.27	2.09	8.15	2.11	
				15	9.79	2.07	9.60	2.10	9.43	2.13	9.34	2.14	9.27	2.16	9.13	2.18	9.00	2.20	

12. Capacity Table

Combination (Capacity Index)			Combination (Total)	Combination (%)	Outdoor Temperature (°C,DB)	Indoor Temperature(°C, DB)													
						14		16		18		20		21		22		24	
						TC(kW)	PI(kW)	TC(kW)	PI(kW)	TC(kW)	PI(kW)	TC(kW)	PI(kW)	TC(kW)	PI(kW)	TC(kW)	PI(kW)	TC(kW)	PI(kW)
3500	5000	8500	125%	-15	4.58	1.66	4.44	1.69	4.31	1.71	4.25	1.72	4.20	1.73	4.10	1.74	4.02	1.76	
				-10	5.49	1.75	5.33	1.77	5.20	1.80	5.14	1.81	5.08	1.82	4.97	1.84	4.89	1.85	
				-5	6.39	1.83	6.23	1.86	6.09	1.89	6.02	1.90	5.96	1.91	5.85	1.93	5.75	1.94	
				0	7.30	1.92	7.13	1.95	6.98	1.98	6.91	1.99	6.84	2.00	6.72	2.02	6.62	2.04	
				2	7.67	1.95	7.49	1.98	7.34	2.01	7.27	2.02	7.20	2.03	7.07	2.06	6.97	2.07	
				7	8.40	2.02	8.22	2.05	8.05	2.08	8.00	2.09	7.91	2.11	7.78	2.13	7.66	2.15	
				10	9.12	2.09	8.94	2.12	8.77	2.15	8.69	2.16	8.62	2.18	8.48	2.20	8.36	2.22	
5000	5000	10000	147%	-15	4.58	1.65	4.44	1.68	4.31	1.70	4.25	1.71	4.20	1.72	4.10	1.74	4.02	1.75	
				-10	5.49	1.74	5.33	1.77	5.20	1.79	5.14	1.80	5.08	1.81	4.97	1.83	4.89	1.84	
				-5	6.39	1.83	6.23	1.85	6.09	1.88	6.02	1.89	5.96	1.90	5.85	1.92	5.75	1.94	
				0	7.30	1.91	7.13	1.94	6.98	1.97	6.91	1.98	6.84	1.99	6.72	2.01	6.62	2.03	
				2	7.67	1.95	7.49	1.97	7.34	2.00	7.27	2.01	7.20	2.02	7.07	2.05	6.97	2.06	
				7	8.40	2.01	8.22	2.04	8.05	2.07	8.00	2.08	7.91	2.10	7.78	2.12	7.66	2.14	
				10	9.12	2.08	8.94	2.11	8.77	2.14	8.69	2.15	8.62	2.17	8.48	2.19	8.36	2.21	
2000	2000	2000	6000	88%	-15	3.78	1.40	3.66	1.42	3.55	1.44	3.51	1.45	3.46	1.45	3.38	1.47	3.32	1.48
					-10	4.53	1.47	4.40	1.49	4.29	1.51	4.24	1.52	4.19	1.53	4.10	1.55	4.03	1.56
					-5	5.27	1.55	5.14	1.57	5.02	1.59	4.97	1.60	4.92	1.61	4.83	1.62	4.75	1.64
					0	6.02	1.62	5.89	1.64	5.76	1.66	5.70	1.67	5.65	1.68	5.55	1.70	5.46	1.72
					2	6.32	1.65	6.18	1.67	6.05	1.69	5.99	1.70	5.94	1.71	5.84	1.73	5.75	1.75
					7	6.93	1.70	6.78	1.73	6.64	1.75	6.60	1.76	6.52	1.77	6.42	1.79	6.32	1.81
					10	7.53	1.76	7.37	1.79	7.24	1.81	7.17	1.82	7.11	1.83	7.00	1.85	6.90	1.87
2000	2000	2500	6500	96%	-15	4.41	1.45	4.27	1.48	4.15	1.50	4.09	1.50	4.04	1.51	3.95	1.53	3.87	1.54
					-10	5.28	1.53	5.13	1.55	5.00	1.57	4.94	1.58	4.89	1.59	4.79	1.61	4.70	1.62
					-5	6.15	1.61	6.00	1.63	5.86	1.65	5.80	1.66	5.74	1.67	5.63	1.69	5.54	1.70
					0	7.03	1.68	6.87	1.71	6.72	1.73	6.65	1.74	6.59	1.75	6.47	1.77	6.37	1.78
					2	7.38	1.71	7.21	1.74	7.06	1.76	6.99	1.77	6.93	1.78	6.81	1.80	6.71	1.82
					7	8.08	1.77	7.91	1.80	7.75	1.82	7.70	1.83	7.61	1.84	7.49	1.86	7.38	1.88
					10	8.78	1.83	8.60	1.86	8.44	1.88	8.37	1.89	8.29	1.91	8.16	1.93	8.05	1.94
2000	2000	3500	7500	110%	-15	4.58	1.53	4.44	1.55	4.31	1.57	4.25	1.58	4.20	1.59	4.10	1.60	4.02	1.62
					-10	5.49	1.61	5.33	1.63	5.20	1.65	5.14	1.66	5.08	1.67	4.97	1.69	4.89	1.70
					-5	6.39	1.69	6.23	1.71	6.09	1.73	6.02	1.74	5.96	1.75	5.85	1.77	5.75	1.79
					0	7.30	1.76	7.13	1.79	6.98	1.81	6.91	1.83	6.84	1.84	6.72	1.85	6.62	1.87
					2	7.67	1.80	7.49	1.82	7.34	1.85	7.27	1.86	7.20	1.87	7.07	1.89	6.97	1.91
					7	8.40	1.86	8.22	1.89	8.05	1.91	8.00	1.92	7.91	1.93	7.78	1.95	7.66	1.97
					10	9.12	1.92	8.94	1.95	8.77	1.97	8.69	1.99	8.62	2.00	8.48	2.02	8.36	2.04
2000	2000	5000	9000	132%	-15	4.58	1.56	4.44	1.58	4.31	1.60	4.25	1.61	4.20	1.62	4.10	1.64	4.02	1.65
					-10	5.49	1.64	5.33	1.66	5.20	1.69	5.14	1.70	5.08	1.71	4.97	1.72	4.89	1.74
					-5	6.39	1.72	6.23	1.75	6.09	1.77	6.02	1.78	5.96	1.79	5.85	1.81	5.75	1.82
					0	7.30	1.80	7.13	1.83	6.98	1.85	6.91	1.86	6.84	1.87	6.72	1.89	6.62	1.91
					2	7.67	1.83	7.49	1.86	7.34	1.89	7.27	1.90	7.20	1.91	7.07	1.93	6.97	1.95
					7	8.40	1.90	8.22	1.92	8.05	1.95	8.00	1.96	7.91	1.97	7.78	2.00	7.66	2.01
					10	9.12	1.96	8.94	1.99	8.77	2.02	8.69	2.03	8.62	2.04	8.48	2.06	8.36	2.08
15	10.04	2.04	9.84	2.07	9.67	2.10	9.58	2.11	9.51	2.12	9.36	2.15	9.23	2.17					

12. Capacity Table

Combination (Capacity Index)			Combination (Total)	Combination (%)	Outdoor Temperature (°C,DB)	Indoor Temperature(°C, DB)													
						14		16		18		20		21		22		24	
						TC(kW)	PI(kW)	TC(kW)	PI(kW)	TC(kW)	PI(kW)	TC(kW)	PI(kW)	TC(kW)	PI(kW)	TC(kW)	PI(kW)	TC(kW)	PI(kW)
2000	2500	2500	7000	103%	-15	4.58	1.49	4.44	1.52	4.31	1.54	4.25	1.55	4.20	1.55	4.10	1.57	4.02	1.58
					-10	5.49	1.57	5.33	1.60	5.20	1.62	5.14	1.63	5.08	1.64	4.97	1.65	4.89	1.67
					-5	6.39	1.65	6.23	1.67	6.09	1.70	6.02	1.71	5.96	1.72	5.85	1.73	5.75	1.75
					0	7.30	1.73	7.13	1.75	6.98	1.78	6.91	1.79	6.84	1.80	6.72	1.82	6.62	1.83
					2	7.67	1.76	7.49	1.78	7.34	1.81	7.27	1.82	7.20	1.83	7.07	1.85	6.97	1.87
					7	8.40	1.82	8.22	1.85	8.05	1.87	8.00	1.88	7.91	1.89	7.78	1.91	7.66	1.93
					10	9.12	1.88	8.94	1.91	8.77	1.93	8.69	1.95	8.62	1.96	8.48	1.98	8.36	2.00
2000	2500	3500	8000	118%	-15	4.58	1.52	4.44	1.54	4.31	1.56	4.25	1.57	4.20	1.58	4.10	1.59	4.02	1.61
					-10	5.49	1.60	5.33	1.62	5.20	1.64	5.14	1.65	5.08	1.66	4.97	1.68	4.89	1.69
					-5	6.39	1.68	6.23	1.70	6.09	1.72	6.02	1.73	5.96	1.74	5.85	1.76	5.75	1.78
					0	7.30	1.76	7.13	1.78	6.98	1.80	6.91	1.82	6.84	1.83	6.72	1.85	6.62	1.86
					2	7.67	1.79	7.49	1.81	7.34	1.84	7.27	1.85	7.20	1.86	7.07	1.88	6.97	1.90
					7	8.40	1.85	8.22	1.88	8.05	1.90	8.00	1.91	7.91	1.92	7.78	1.94	7.66	1.96
					10	9.12	1.91	8.94	1.94	8.77	1.96	8.69	1.98	8.62	1.99	8.48	2.01	8.36	2.03
2000	2500	5000	9500	140%	-15	4.58	1.53	4.44	1.55	4.31	1.57	4.25	1.58	4.20	1.59	4.10	1.60	4.02	1.62
					-10	5.49	1.61	5.33	1.63	5.20	1.65	5.14	1.66	5.08	1.67	4.97	1.69	4.89	1.70
					-5	6.39	1.69	6.23	1.71	6.09	1.73	6.02	1.74	5.96	1.75	5.85	1.77	5.75	1.79
					0	7.30	1.76	7.13	1.79	6.98	1.81	6.91	1.83	6.84	1.84	6.72	1.85	6.62	1.87
					2	7.67	1.80	7.49	1.82	7.34	1.85	7.27	1.86	7.20	1.87	7.07	1.89	6.97	1.91
					7	8.40	1.86	8.22	1.89	8.05	1.91	8.00	1.92	7.91	1.93	7.78	1.95	7.66	1.97
					10	9.12	1.92	8.94	1.95	8.77	1.97	8.69	1.99	8.62	2.00	8.48	2.02	8.36	2.04
2000	3500	3500	9000	132%	-15	4.58	1.56	4.44	1.58	4.31	1.60	4.25	1.61	4.20	1.62	4.10	1.64	4.02	1.65
					-10	5.49	1.64	5.33	1.66	5.20	1.69	5.14	1.70	5.08	1.71	4.97	1.72	4.89	1.74
					-5	6.39	1.72	6.23	1.75	6.09	1.77	6.02	1.78	5.96	1.79	5.85	1.81	5.75	1.82
					0	7.30	1.80	7.13	1.83	6.98	1.85	6.91	1.86	6.84	1.87	6.72	1.89	6.62	1.91
					2	7.67	1.83	7.49	1.86	7.34	1.89	7.27	1.90	7.20	1.91	7.07	1.93	6.97	1.95
					7	8.40	1.90	8.22	1.92	8.05	1.95	8.00	1.96	7.91	1.97	7.78	2.00	7.66	2.01
					10	9.12	1.96	8.94	1.99	8.77	2.02	8.69	2.03	8.62	2.04	8.48	2.06	8.36	2.08
2000	3500	5000	10500	154%	-15	4.58	1.55	4.44	1.57	4.31	1.59	4.25	1.60	4.20	1.61	4.10	1.63	4.02	1.64
					-10	5.49	1.63	5.33	1.66	5.20	1.68	5.14	1.69	5.08	1.70	4.97	1.71	4.89	1.73
					-5	6.39	1.71	6.23	1.74	6.09	1.76	6.02	1.77	5.96	1.78	5.85	1.80	5.75	1.81
					0	7.30	1.79	7.13	1.82	6.98	1.84	6.91	1.85	6.84	1.86	6.72	1.88	6.62	1.90
					2	7.67	1.82	7.49	1.85	7.34	1.88	7.27	1.89	7.20	1.90	7.07	1.92	6.97	1.94
					7	8.40	1.89	8.22	1.92	8.05	1.94	8.00	1.95	7.91	1.96	7.78	1.99	7.66	2.00
					10	9.12	1.95	8.94	1.98	8.77	2.01	8.69	2.02	8.62	2.03	8.48	2.05	8.36	2.07
2500	2500	2500	7500	110%	-15	4.58	1.53	4.44	1.56	4.31	1.58	4.25	1.59	4.20	1.60	4.10	1.61	4.02	1.62
					-10	5.49	1.61	5.33	1.64	5.20	1.66	5.14	1.67	5.08	1.68	4.97	1.70	4.89	1.71
					-5	6.39	1.69	6.23	1.72	6.09	1.74	6.02	1.75	5.96	1.76	5.85	1.78	5.75	1.80
					0	7.30	1.77	7.13	1.80	6.98	1.82	6.91	1.83	6.84	1.85	6.72	1.86	6.62	1.88
					2	7.67	1.80	7.49	1.83	7.34	1.86	7.27	1.87	7.20	1.88	7.07	1.90	6.97	1.92
					7	8.40	1.87	8.22	1.90	8.05	1.92	8.00	1.93	7.91	1.94	7.78	1.96	7.66	1.98
					10	9.12	1.93	8.94	1.96	8.77	1.99	8.69	2.00	8.62	2.01	8.48	2.03	8.36	2.05
15	10.04	2.01	9.84	2.04	9.67	2.07	9.58	2.08	9.51	2.09	9.36	2.11	9.23	2.13					

12. Capacity Table

Combination (Capacity Index)			Combination (Total)	Combination (%)	Outdoor Temperature (°C, DB)	Indoor Temperature(°C, DB)													
						14		16		18		20		21		22		24	
						TC(kW)	PI(kW)	TC(kW)	PI(kW)	TC(kW)	PI(kW)	TC(kW)	PI(kW)	TC(kW)	PI(kW)	TC(kW)	PI(kW)	TC(kW)	PI(kW)
2500	2500	3500	8500	125%	-15	4.58	1.52	4.44	1.54	4.31	1.56	4.25	1.57	4.20	1.58	4.10	1.59	4.02	1.61
					-10	5.49	1.60	5.33	1.62	5.20	1.64	5.14	1.65	5.08	1.66	4.97	1.68	4.89	1.69
					-5	6.39	1.68	6.23	1.70	6.09	1.72	6.02	1.73	5.96	1.74	5.85	1.76	5.75	1.78
					0	7.30	1.76	7.13	1.78	6.98	1.80	6.91	1.82	6.84	1.83	6.72	1.85	6.62	1.86
					2	7.67	1.79	7.49	1.81	7.34	1.84	7.27	1.85	7.20	1.86	7.07	1.88	6.97	1.90
					7	8.40	1.85	8.22	1.88	8.05	1.90	8.00	1.91	7.91	1.92	7.78	1.94	7.66	1.96
					10	9.12	1.91	8.94	1.94	8.77	1.96	8.69	1.98	8.62	1.99	8.48	2.01	8.36	2.03
2500	2500	5000	10000	147%	-15	4.58	1.55	4.44	1.57	4.31	1.59	4.25	1.60	4.20	1.61	4.10	1.63	4.02	1.64
					-10	5.49	1.63	5.33	1.66	5.20	1.68	5.14	1.69	5.08	1.70	4.97	1.71	4.89	1.73
					-5	6.39	1.71	6.23	1.74	6.09	1.76	6.02	1.77	5.96	1.78	5.85	1.80	5.75	1.81
					0	7.30	1.79	7.13	1.82	6.98	1.84	6.91	1.85	6.84	1.86	6.72	1.88	6.62	1.90
					2	7.67	1.82	7.49	1.85	7.34	1.88	7.27	1.89	7.20	1.90	7.07	1.92	6.97	1.94
					7	8.40	1.89	8.22	1.92	8.05	1.94	8.00	1.95	7.91	1.96	7.78	1.99	7.66	2.00
					10	9.12	1.95	8.94	1.98	8.77	2.01	8.69	2.02	8.62	2.03	8.48	2.05	8.36	2.07
2500	3500	3500	9500	140%	-15	4.58	1.53	4.44	1.56	4.31	1.58	4.25	1.59	4.20	1.60	4.10	1.61	4.02	1.62
					-10	5.49	1.61	5.33	1.64	5.20	1.66	5.14	1.67	5.08	1.68	4.97	1.70	4.89	1.71
					-5	6.39	1.69	6.23	1.72	6.09	1.74	6.02	1.75	5.96	1.76	5.85	1.78	5.75	1.80
					0	7.30	1.77	7.13	1.80	6.98	1.82	6.91	1.83	6.84	1.85	6.72	1.86	6.62	1.88
					2	7.67	1.80	7.49	1.83	7.34	1.86	7.27	1.87	7.20	1.88	7.07	1.90	6.97	1.92
					7	8.40	1.87	8.22	1.90	8.05	1.92	8.00	1.93	7.91	1.94	7.78	1.96	7.66	1.98
					10	9.12	1.93	8.94	1.96	8.77	1.99	8.69	2.00	8.62	2.01	8.48	2.03	8.36	2.05
2500	3500	5000	11000	162%	-15	4.58	1.57	4.44	1.60	4.31	1.62	4.25	1.63	4.20	1.64	4.10	1.65	4.02	1.67
					-10	5.49	1.66	5.33	1.68	5.20	1.70	5.14	1.71	5.08	1.72	4.97	1.74	4.89	1.75
					-5	6.39	1.74	6.23	1.76	6.09	1.79	6.02	1.80	5.96	1.81	5.85	1.83	5.75	1.84
					0	7.30	1.82	7.13	1.85	6.98	1.87	6.91	1.88	6.84	1.89	6.72	1.91	6.62	1.93
					2	7.67	1.85	7.49	1.88	7.34	1.90	7.27	1.92	7.20	1.93	7.07	1.95	6.97	1.96
					7	8.40	1.92	8.22	1.94	8.05	1.97	8.00	1.98	7.91	1.99	7.78	2.02	7.66	2.03
					10	9.12	1.98	8.94	2.01	8.77	2.04	8.69	2.05	8.62	2.06	8.48	2.08	8.36	2.10
3500	3500	3500	10500	154%	-15	4.58	1.52	4.44	1.54	4.31	1.56	4.25	1.57	4.20	1.58	4.10	1.59	4.02	1.61
					-10	5.49	1.60	5.33	1.62	5.20	1.64	5.14	1.65	5.08	1.66	4.97	1.68	4.89	1.69
					-5	6.39	1.68	6.23	1.70	6.09	1.72	6.02	1.73	5.96	1.74	5.85	1.76	5.75	1.78
					0	7.30	1.76	7.13	1.78	6.98	1.80	6.91	1.82	6.84	1.83	6.72	1.85	6.62	1.86
					2	7.67	1.79	7.49	1.81	7.34	1.84	7.27	1.85	7.20	1.86	7.07	1.88	6.97	1.90
					7	8.40	1.85	8.22	1.88	8.05	1.90	8.00	1.91	7.91	1.92	7.78	1.94	7.66	1.96
					10	9.12	1.91	8.94	1.94	8.77	1.96	8.69	1.98	8.62	1.99	8.48	2.01	8.36	2.03
15	10.04	1.99	9.84	2.02	9.67	2.04	9.58	2.06	9.51	2.07	9.36	2.09	9.23	2.11					

NOTE

- Cooling capacity is based on 27°CDB / 19°CWB (indoor temperature), 35°CDB (outdoor temperature).
- Heating capacity is based on 20°CDB (indoor temperature), 7°CDB/6°CWB (outdoor temperature).
- The above is the value for connecting with the following indoor units.
 - 2000, 2500, 3500, 5000W class : AR07TXFCAWKNEU, AR09TXFCAWKNEU, AR12TXFCAWKNEU, AR18TXEAAWKNEU
- Capacities are based on the following conditions:
 - Corresponding refrigerant piping length : 5m / - Level difference : 0m
- The total ability of connected a indoor unit is up to 7.5kW
- It is impossible to connect the indoor unit for one room only.
- This data is reference data for temperature capacity trend.

12. Capacity Table

12-5. AJ080TXJ4KG/EU

Cooling

Combination (Capacity Index)				Combination (Total)	Combination (%)	Outdoor Temperature (°C,DB)	Indoor Temperature(°C, WB)													
							14		16		18		19		20		22		24	
							TC(kW)	PI(kW)	TC(kW)	PI(kW)	TC(kW)	PI(kW)	TC(kW)	PI(kW)	TC(kW)	PI(kW)	TC(kW)	PI(kW)	TC(kW)	PI(kW)
2000				2000	25%	10	1.76	0.45	2.55	0.50	2.66	0.55	2.71	0.56	2.76	0.58	2.87	0.61	2.98	0.63
						12	1.76	0.47	2.51	0.52	2.62	0.56	2.67	0.58	2.72	0.60	2.83	0.62	2.94	0.64
						14	1.76	0.49	2.47	0.54	2.57	0.58	2.63	0.60	2.68	0.61	2.79	0.64	2.90	0.66
						16	1.76	0.51	2.43	0.56	2.53	0.60	2.59	0.61	2.64	0.63	2.75	0.65	2.85	0.67
						18	1.76	0.54	2.39	0.58	2.49	0.62	2.54	0.63	2.60	0.65	2.70	0.67	2.81	0.68
						20	1.76	0.56	2.35	0.60	2.45	0.63	2.50	0.65	2.56	0.66	2.66	0.68	2.77	0.69
						21	1.76	0.57	2.33	0.61	2.43	0.64	2.48	0.66	2.54	0.67	2.64	0.69	2.75	0.70
						23	1.76	0.59	2.29	0.63	2.39	0.66	2.44	0.68	2.49	0.69	2.60	0.71	2.70	0.72
						25	1.76	0.61	2.25	0.65	2.35	0.68	2.40	0.69	2.45	0.70	2.56	0.72	2.66	0.73
						27	1.76	0.64	2.21	0.67	2.31	0.70	2.36	0.71	2.41	0.72	2.51	0.74	2.62	0.74
						29	1.76	0.66	2.17	0.69	2.27	0.72	2.32	0.73	2.37	0.74	2.47	0.75	2.58	0.76
						31	1.76	0.68	2.13	0.72	2.23	0.74	2.28	0.75	2.33	0.76	2.43	0.77	2.53	0.77
						33	1.76	0.71	2.09	0.74	2.19	0.76	2.24	0.77	2.29	0.78	2.39	0.79	2.49	0.79
						35	1.76	0.73	2.05	0.76	2.15	0.78	2.20	0.78	2.25	0.80	2.35	0.80	2.45	0.80
						37	1.76	0.75	2.01	0.78	2.11	0.80	2.16	0.81	2.21	0.82	2.31	0.82	2.41	0.82
						39	1.76	0.78	1.97	0.81	2.07	0.82	2.12	0.83	2.17	0.84	2.27	0.84	2.37	0.84
42	1.74	0.82	1.91	0.84	2.01	0.86	2.06	0.86	2.11	0.87	2.21	0.87	2.30	0.86						
44	1.65	0.84	1.88	0.86	1.97	0.88	2.02	0.88	2.07	0.89	2.17	0.89	2.26	0.88						
46	1.61	0.87	1.84	0.89	1.93	0.90	1.98	0.91	2.03	0.91	2.12	0.91	2.22	0.90						
2500				2500	31%	10	2.00	0.49	2.90	0.54	3.02	0.59	3.08	0.61	3.14	0.63	3.26	0.66	3.39	0.68
						12	2.00	0.51	2.85	0.56	2.97	0.61	3.03	0.63	3.09	0.64	3.22	0.67	3.34	0.69
						14	2.00	0.53	2.80	0.58	2.95	0.62	2.99	0.64	3.05	0.66	3.17	0.69	3.29	0.71
						16	2.00	0.55	2.76	0.60	2.88	0.64	2.94	0.66	3.00	0.68	3.12	0.70	3.24	0.72
						18	2.00	0.58	2.71	0.62	2.85	0.66	2.89	0.68	2.95	0.69	3.07	0.72	3.19	0.73
						20	2.00	0.60	2.67	0.65	2.79	0.68	2.85	0.70	2.90	0.71	3.02	0.73	3.14	0.75
						21	2.00	0.61	2.64	0.66	2.76	0.69	2.82	0.71	2.88	0.72	3.00	0.74	3.12	0.76
						23	2.00	0.64	2.60	0.68	2.72	0.71	2.78	0.73	2.83	0.74	2.95	0.76	3.07	0.77
						25	2.00	0.66	2.55	0.70	2.67	0.73	2.73	0.75	2.79	0.76	2.91	0.78	3.02	0.79
						27	2.00	0.68	2.51	0.72	2.62	0.75	2.68	0.77	2.74	0.78	2.86	0.79	2.98	0.80
						29	2.00	0.71	2.46	0.75	2.58	0.78	2.64	0.79	2.69	0.80	2.81	0.81	2.93	0.82
						31	2.00	0.73	2.42	0.77	2.53	0.80	2.59	0.81	2.65	0.82	2.76	0.83	2.88	0.83
						33	2.00	0.76	2.37	0.79	2.49	0.82	2.54	0.83	2.60	0.84	2.72	0.85	2.83	0.85
						35	2.00	0.79	2.33	0.82	2.44	0.84	2.50	0.84	2.56	0.86	2.67	0.87	2.78	0.87
						37	2.00	0.81	2.29	0.84	2.40	0.86	2.45	0.87	2.51	0.88	2.62	0.89	2.74	0.88
						39	2.00	0.84	2.24	0.87	2.35	0.89	2.41	0.90	2.46	0.90	2.58	0.91	2.69	0.90
42	1.98	0.88	2.18	0.91	2.29	0.92	2.34	0.93	2.40	0.93	2.51	0.93	2.62	0.93						
44	1.88	0.91	2.13	0.93	2.24	0.95	2.30	0.95	2.35	0.96	2.46	0.96	2.57	0.95						
46	1.83	0.94	2.09	0.96	2.20	0.97	2.25	0.98	2.30	0.98	2.41	0.98	2.53	0.97						

12. Capacity Table

Combination (Capacity Index)				Combination (Total)	Combination (%)	Outdoor Temperature (°C,DB)	Indoor Temperature(°C, WB)													
							14		16		18		19		20		22		24	
							TC(kW)	PI(kW)	TC(kW)	PI(kW)	TC(kW)	PI(kW)	TC(kW)	PI(kW)	TC(kW)	PI(kW)	TC(kW)	PI(kW)	TC(kW)	PI(kW)
3500				3500	44%	10	2.80	0.65	4.06	0.73	4.23	0.79	4.31	0.82	4.40	0.84	4.57	0.88	4.74	0.92
						12	2.80	0.68	3.99	0.75	4.16	0.82	4.25	0.84	4.33	0.87	4.50	0.90	4.68	0.93
						14	2.80	0.71	3.93	0.78	4.10	0.84	4.18	0.87	4.26	0.89	4.44	0.92	4.61	0.95
						16	2.80	0.74	3.86	0.81	4.03	0.87	4.11	0.89	4.20	0.91	4.37	0.95	4.54	0.97
						18	2.80	0.78	3.80	0.84	3.96	0.89	4.05	0.91	4.13	0.93	4.30	0.97	4.47	0.99
						20	2.80	0.81	3.73	0.87	3.90	0.92	3.98	0.94	4.07	0.96	4.23	0.99	4.40	1.01
						21	2.80	0.82	3.70	0.88	3.87	0.93	3.95	0.95	4.03	0.97	4.20	1.00	4.37	1.02
						23	2.80	0.85	3.64	0.91	3.80	0.96	3.89	0.98	3.97	1.00	4.13	1.02	4.30	1.04
						25	2.80	0.89	3.58	0.94	3.74	0.99	3.82	1.01	3.90	1.02	4.07	1.04	4.23	1.06
						27	2.80	0.92	3.51	0.97	3.67	1.02	3.76	1.03	3.84	1.05	4.00	1.07	4.17	1.08
						29	2.80	0.95	3.45	1.00	3.61	1.04	3.69	1.06	3.77	1.07	3.93	1.09	4.10	1.10
						31	2.80	0.99	3.39	1.04	3.55	1.07	3.63	1.09	3.71	1.10	3.87	1.12	4.03	1.12
						33	2.80	1.02	3.32	1.07	3.48	1.10	3.56	1.12	3.64	1.13	3.80	1.14	3.97	1.14
						35	2.80	1.06	3.26	1.10	3.42	1.13	3.50	1.13	3.58	1.15	3.74	1.17	3.90	1.17
						37	2.80	1.09	3.20	1.13	3.36	1.16	3.43	1.17	3.51	1.18	3.67	1.19	3.83	1.19
						39	2.80	1.13	3.14	1.17	3.29	1.19	3.37	1.20	3.45	1.21	3.61	1.22	3.77	1.21
42	2.77	1.18	3.05	1.22	3.20	1.24	3.28	1.25	3.35	1.26	3.51	1.26	3.67	1.25						
44	2.63	1.22	2.98	1.25	3.14	1.27	3.21	1.28	3.29	1.28	3.45	1.28	3.60	1.27						
46	2.56	1.26	2.92	1.29	3.07	1.31	3.15	1.31	3.23	1.32	3.38	1.31	3.54	1.30						
5000				5000	63%	10	3.92	0.88	5.68	0.98	5.92	1.06	6.04	1.10	6.16	1.13	6.40	1.19	6.64	1.23
						12	3.92	0.92	5.59	1.02	5.82	1.10	5.94	1.13	6.06	1.16	6.30	1.22	6.55	1.25
						14	3.92	0.96	5.50	1.05	5.73	1.13	5.85	1.16	5.97	1.19	6.21	1.24	6.45	1.28
						16	3.92	1.00	5.41	1.09	5.64	1.17	5.76	1.20	5.88	1.23	6.12	1.27	6.35	1.30
						18	3.92	1.04	5.32	1.13	5.55	1.20	5.67	1.23	5.79	1.26	6.02	1.30	6.26	1.33
						20	3.92	1.08	5.23	1.17	5.46	1.24	5.58	1.26	5.69	1.29	5.93	1.33	6.16	1.35
						21	3.92	1.11	5.18	1.19	5.41	1.25	5.53	1.28	5.65	1.31	5.88	1.34	6.12	1.37
						23	3.92	1.15	5.10	1.23	5.32	1.29	5.44	1.32	5.56	1.34	5.79	1.37	6.02	1.39
						25	3.92	1.19	5.01	1.27	5.23	1.33	5.35	1.35	5.46	1.37	5.69	1.40	5.93	1.42
						27	3.92	1.24	4.92	1.31	5.14	1.37	5.26	1.39	5.37	1.41	5.60	1.44	5.83	1.45
						29	3.92	1.28	4.83	1.35	5.05	1.40	5.17	1.43	5.28	1.44	5.51	1.47	5.74	1.48
						31	3.92	1.33	4.74	1.39	4.97	1.44	5.08	1.46	5.19	1.48	5.42	1.50	5.64	1.51
						33	3.92	1.38	4.65	1.44	4.88	1.48	4.99	1.50	5.10	1.52	5.32	1.53	5.55	1.54
						35	3.92	1.42	4.57	1.48	4.79	1.52	4.90	1.52	5.01	1.55	5.23	1.57	5.46	1.57
						37	3.92	1.47	4.48	1.52	4.70	1.57	4.81	1.58	4.92	1.59	5.14	1.60	5.36	1.60
						39	3.92	1.52	4.39	1.57	4.61	1.61	4.72	1.62	4.83	1.63	5.05	1.64	5.27	1.63
42	3.87	1.59	4.26	1.64	4.48	1.67	4.59	1.68	4.70	1.69	4.91	1.69	5.13	1.68						
44	3.68	1.64	4.18	1.69	4.39	1.71	4.50	1.72	4.61	1.73	4.82	1.73	5.04	1.71						
46	3.58	1.69	4.09	1.73	4.30	1.76	4.41	1.77	4.52	1.77	4.73	1.77	4.95	1.75						

12. Capacity Table

Combination (Capacity Index)				Combination (Total)	Combination (%)	Outdoor Temperature (°C, DB)	Indoor Temperature(°C, WB)															
							14		16		18		19		20		22		24			
							TC(kW)	PI(kW)	TC(kW)	PI(kW)	TC(kW)	PI(kW)	TC(kW)	PI(kW)	TC(kW)	PI(kW)	TC(kW)	PI(kW)	TC(kW)	PI(kW)		
6800				6800	85%	10	4.80	0.88	6.95	1.28	7.25	1.39	7.39	1.44	7.54	1.48	7.84	1.56	8.13	1.61		
						12	4.80	0.92	6.84	1.33	7.13	1.44	7.28	1.48	7.43	1.52	7.72	1.59	8.02	1.64		
						14	4.80	0.96	6.73	1.38	7.02	1.48	7.17	1.52	7.31	1.56	7.60	1.63	7.90	1.67		
						16	4.80	1.00	6.62	1.43	6.91	1.53	7.05	1.57	7.20	1.60	7.49	1.66	7.78	1.71		
						18	4.80	1.04	6.51	1.48	6.80	1.57	6.94	1.61	7.08	1.65	7.37	1.70	7.66	1.74		
						20	4.80	1.08	6.40	1.53	6.69	1.62	6.83	1.66	6.97	1.69	7.26	1.74	7.55	1.77		
						21	4.80	1.11	6.35	1.55	6.63	1.64	6.77	1.68	6.91	1.71	7.20	1.76	7.49	1.79		
						23	4.80	1.15	6.24	1.61	6.52	1.69	6.66	1.72	6.80	1.75	7.09	1.80	7.37	1.83		
						25	4.80	1.19	6.13	1.66	6.41	1.74	6.55	1.77	6.69	1.80	6.97	1.84	7.26	1.86		
						27	4.80	1.24	6.02	1.71	6.30	1.79	6.44	1.82	6.58	1.84	6.86	1.88	7.14	1.90		
						29	4.80	1.28	5.91	1.77	6.19	1.84	6.33	1.87	6.47	1.89	6.75	1.92	7.03	1.94		
						31	4.80	1.33	5.81	1.82	6.08	1.89	6.22	1.92	6.36	1.94	6.63	1.97	6.91	1.97		
						33	4.80	1.38	5.70	1.88	5.97	1.94	6.11	1.97	6.24	1.98	6.52	2.01	6.80	2.01		
						35	4.80	1.42	5.59	1.94	5.86	2.00	6.00	1.99	6.13	2.03	6.41	2.05	6.68	2.05		
						37	4.80	1.47	5.49	2.00	5.75	2.05	5.89	2.07	6.02	2.08	6.30	2.10	6.57	2.09		
						39	4.80	1.52	5.38	2.06	5.65	2.10	5.78	2.12	5.91	2.13	6.18	2.14	6.46	2.14		
						42	4.74	1.59	5.22	2.15	5.48	2.19	5.62	2.20	5.75	2.21	6.02	2.21	6.29	2.20		
						44	4.50	1.64	5.12	2.21	5.38	2.24	5.51	2.26	5.64	2.26	5.91	2.26	6.17	2.24		
46	4.38	1.69	5.01	2.27	5.27	2.30	5.40	2.31	5.53	2.32	5.80	2.31	6.06	2.29								
2000	2000			4000	50%	10	3.53	0.87	4.99	0.89	5.08	0.91	5.14	0.92	5.20	0.94	5.35	0.95	5.52	0.97		
						12	3.53	0.89	4.85	0.91	4.95	0.94	5.01	0.95	5.08	0.96	5.23	0.98	5.41	1.00		
						14	3.53	0.92	4.72	0.94	4.83	0.96	4.89	0.97	4.96	0.98	5.12	1.00	5.31	1.02		
						16	3.53	0.94	4.60	0.96	4.71	0.98	4.78	0.99	4.85	1.00	5.02	1.02	5.21	1.04		
						18	3.53	0.96	4.48	0.98	4.60	1.01	4.67	1.02	4.75	1.03	4.92	1.04	5.12	1.06		
						20	3.53	0.99	4.36	1.01	4.49	1.03	4.57	1.04	4.65	1.05	4.83	1.07	5.03	1.09		
						21	3.53	1.00	4.31	1.02	4.44	1.04	4.52	1.05	4.60	1.06	4.78	1.08	4.99	1.10		
						23	3.53	1.03	4.20	1.05	4.34	1.07	4.42	1.08	4.51	1.09	4.70	1.11	4.91	1.13		
						25	3.53	1.05	4.10	1.07	4.25	1.09	4.33	1.10	4.42	1.11	4.62	1.13	4.84	1.15		
						27	3.53	1.08	4.01	1.10	4.16	1.12	4.25	1.13	4.34	1.14	4.55	1.16	4.78	1.18		
						29	3.53	1.11	3.92	1.13	4.08	1.15	4.17	1.16	4.27	1.17	4.48	1.19	4.72	1.20		
						31	3.53	1.13	3.84	1.15	4.01	1.18	4.10	1.19	4.20	1.19	4.42	1.21	4.66	1.23		
						33	3.53	1.16	3.76	1.18	3.94	1.20	4.03	1.21	4.13	1.22	4.36	1.24	4.61	1.26		
						35	3.53	1.19	3.69	1.21	3.87	1.23	4.00	1.24	4.08	1.25	4.31	1.27	4.57	1.29		
						37	3.53	1.22	3.62	1.24	3.81	1.26	3.91	1.27	4.02	1.28	4.26	1.30	4.53	1.32		
						39	3.53	1.25	3.56	1.27	3.76	1.29	3.86	1.30	3.98	1.31	4.22	1.33	4.49	1.35		
						42	3.53	1.30	3.48	1.32	3.69	1.34	3.80	1.35	3.92	1.36	4.17	1.38	4.46	1.40		
						44	3.53	1.33	3.44	1.35	3.65	1.37	3.76	1.38	3.89	1.39	4.15	1.41	4.44	1.43		
46	3.53	1.37	3.39	1.39	3.61	1.41	3.73	1.42	3.86	1.43	4.13	1.44	4.42	1.46								

12. Capacity Table

Combination (Capacity Index)				Combination (Total)	Combination (%)	Outdoor Temperature (°C,DB)	Indoor Temperature(°C, WB)													
							14		16		18		19		20		22		24	
							TC(kW)	PI(kW)	TC(kW)	PI(kW)	TC(kW)	PI(kW)	TC(kW)	PI(kW)	TC(kW)	PI(kW)	TC(kW)	PI(kW)	TC(kW)	PI(kW)
2000	2500			4500	56%	10	4.07	1.00	5.73	1.03	5.84	1.05	5.91	1.07	5.98	1.08	6.15	1.10	6.34	1.12
						12	4.07	1.03	5.58	1.06	5.69	1.08	5.76	1.09	5.84	1.10	6.02	1.13	6.22	1.15
						14	4.07	1.06	5.43	1.08	5.55	1.11	5.63	1.12	5.71	1.13	5.89	1.15	6.10	1.17
						16	4.07	1.08	5.29	1.11	5.42	1.13	5.50	1.14	5.58	1.16	5.77	1.18	5.99	1.20
						18	4.07	1.11	5.15	1.14	5.29	1.16	5.37	1.17	5.46	1.18	5.66	1.21	5.89	1.23
						20	4.07	1.14	5.02	1.16	5.17	1.19	5.25	1.20	5.34	1.21	5.55	1.23	5.79	1.25
						21	4.07	1.15	4.96	1.18	5.11	1.20	5.19	1.21	5.29	1.22	5.50	1.25	5.74	1.27
						23	4.07	1.18	4.83	1.21	4.99	1.23	5.09	1.24	5.18	1.25	5.40	1.28	5.65	1.30
						25	4.07	1.21	4.72	1.24	4.89	1.26	4.98	1.27	5.09	1.28	5.31	1.31	5.57	1.33
						27	4.07	1.24	4.61	1.27	4.79	1.29	4.89	1.30	4.99	1.31	5.23	1.34	5.49	1.36
						29	4.07	1.27	4.51	1.30	4.69	1.32	4.80	1.33	4.91	1.35	5.15	1.37	5.42	1.39
						31	4.07	1.31	4.42	1.33	4.61	1.36	4.71	1.37	4.83	1.38	5.08	1.40	5.36	1.42
						33	4.07	1.34	4.33	1.36	4.53	1.39	4.64	1.40	4.76	1.41	5.01	1.43	5.30	1.45
						35	4.07	1.37	4.24	1.40	4.45	1.42	4.60	1.43	4.69	1.44	4.96	1.47	5.25	1.49
						37	4.07	1.41	4.17	1.43	4.38	1.46	4.50	1.47	4.63	1.48	4.90	1.50	5.21	1.52
						39	4.07	1.44	4.10	1.47	4.32	1.49	4.44	1.50	4.57	1.51	4.86	1.54	5.17	1.56
42	4.07	1.50	4.01	1.52	4.24	1.55	4.37	1.56	4.51	1.57	4.80	1.59	5.12	1.61						
44	4.07	1.54	3.95	1.56	4.20	1.58	4.33	1.59	4.47	1.61	4.77	1.63	5.10	1.65						
46	4.07	1.57	3.90	1.60	4.16	1.62	4.29	1.63	4.44	1.64	4.75	1.66	5.09	1.68						
2000	3500			5500	69%	10	4.86	1.20	6.86	1.23	6.99	1.26	7.06	1.28	7.15	1.29	7.35	1.32	7.59	1.34
						12	4.86	1.23	6.67	1.26	6.81	1.29	6.89	1.31	6.98	1.32	7.19	1.35	7.44	1.37
						14	4.86	1.26	6.49	1.29	6.64	1.32	6.73	1.34	6.82	1.35	7.04	1.38	7.30	1.40
						16	4.86	1.29	6.32	1.32	6.48	1.35	6.57	1.37	6.67	1.38	6.90	1.41	7.16	1.43
						18	4.86	1.33	6.16	1.36	6.32	1.39	6.42	1.40	6.53	1.41	6.76	1.44	7.04	1.47
						20	4.86	1.36	6.00	1.39	6.18	1.42	6.28	1.43	6.39	1.45	6.64	1.47	6.92	1.50
						21	4.86	1.38	5.92	1.41	6.11	1.44	6.21	1.45	6.32	1.46	6.58	1.49	6.86	1.52
						23	4.86	1.41	5.78	1.44	5.97	1.47	6.08	1.49	6.20	1.50	6.46	1.53	6.76	1.55
						25	4.86	1.45	5.64	1.48	5.84	1.51	5.96	1.52	6.08	1.54	6.35	1.56	6.66	1.59
						27	4.86	1.49	5.51	1.52	5.72	1.54	5.84	1.56	5.97	1.57	6.25	1.60	6.57	1.62
						29	4.86	1.52	5.39	1.55	5.61	1.58	5.74	1.60	5.87	1.61	6.16	1.64	6.48	1.66
						31	4.86	1.56	5.28	1.59	5.51	1.62	5.64	1.63	5.77	1.65	6.07	1.67	6.41	1.70
						33	4.86	1.60	5.17	1.63	5.41	1.66	5.54	1.67	5.69	1.69	5.99	1.71	6.34	1.74
						35	4.86	1.64	5.07	1.67	5.32	1.70	5.50	1.71	5.61	1.73	5.92	1.75	6.28	1.78
						37	4.86	1.69	4.98	1.71	5.24	1.74	5.38	1.76	5.53	1.77	5.86	1.79	6.23	1.82
						39	4.86	1.73	4.90	1.76	5.17	1.78	5.31	1.80	5.47	1.81	5.81	1.84	6.18	1.86
42	4.86	1.79	4.79	1.82	5.07	1.85	5.22	1.86	5.39	1.88	5.74	1.90	6.13	1.93						
44	4.86	1.84	4.72	1.87	5.02	1.89	5.17	1.91	5.34	1.92	5.70	1.95	6.10	1.97						
46	4.86	1.88	4.67	1.91	4.97	1.94	5.13	1.95	5.30	1.97	5.68	1.99	6.08	2.01						

12. Capacity Table

Combination (Capacity Index)				Combination (Total)	Combination (%)	Outdoor Temperature (°C,DB)	Indoor Temperature(°C, WB)															
							14		16		18		19		20		22		24			
							TC(kW)	PI(kW)	TC(kW)	PI(kW)	TC(kW)	PI(kW)	TC(kW)	PI(kW)	TC(kW)	PI(kW)	TC(kW)	PI(kW)	TC(kW)	PI(kW)		
2000	5000			7000	88%	10	6.36	1.57	8.98	1.61	9.15	1.65	9.25	1.67	9.36	1.69	9.62	1.72	9.93	1.76		
						12	6.36	1.61	8.73	1.65	8.91	1.69	9.02	1.71	9.14	1.73	9.42	1.76	9.74	1.80		
						14	6.36	1.65	8.50	1.69	8.69	1.73	8.81	1.75	8.93	1.77	9.22	1.80	9.55	1.84		
						16	6.36	1.70	8.27	1.74	8.48	1.77	8.60	1.79	8.73	1.81	9.03	1.85	9.38	1.88		
						18	6.36	1.74	8.06	1.78	8.28	1.82	8.41	1.83	8.54	1.85	8.86	1.89	9.21	1.92		
						20	6.36	1.78	7.85	1.82	8.09	1.86	8.22	1.88	8.36	1.90	8.69	1.93	9.06	1.97		
						21	6.36	1.81	7.76	1.84	7.99	1.88	8.13	1.90	8.28	1.92	8.61	1.95	8.98	1.99		
						23	6.36	1.85	7.57	1.89	7.82	1.93	7.96	1.95	8.11	1.96	8.46	2.00	8.85	2.03		
						25	6.36	1.90	7.39	1.94	7.65	1.98	7.80	1.99	7.96	2.01	8.32	2.05	8.72	2.08		
						27	6.36	1.95	7.22	1.99	7.49	2.02	7.65	2.04	7.82	2.06	8.18	2.09	8.60	2.13		
						29	6.36	2.00	7.06	2.04	7.35	2.07	7.51	2.09	7.68	2.11	8.06	2.14	8.49	2.18		
						31	6.36	2.05	6.91	2.09	7.21	2.12	7.38	2.14	7.56	2.16	7.95	2.19	8.39	2.23		
						33	6.36	2.10	6.77	2.14	7.08	2.17	7.26	2.19	7.44	2.21	7.85	2.24	8.30	2.28		
						35	6.36	2.15	6.64	2.19	6.97	2.23	7.20	2.24	7.34	2.26	7.76	2.30	8.22	2.33		
						37	6.36	2.21	6.52	2.25	6.86	2.28	7.05	2.30	7.24	2.32	7.67	2.35	8.15	2.38		
						39	6.36	2.26	6.41	2.30	6.76	2.34	6.96	2.35	7.16	2.37	7.60	2.41	8.09	2.44		
						42	6.36	2.35	6.27	2.39	6.64	2.42	6.84	2.44	7.05	2.46	7.51	2.49	8.02	2.52		
44	6.36	2.41	6.18	2.44	6.57	2.48	6.77	2.50	6.99	2.52	7.47	2.55	7.99	2.58								
46	6.36	2.47	6.11	2.50	6.50	2.54	6.72	2.56	6.94	2.57	7.43	2.61	7.96	2.64								
2000	6800			8800	110%	10	6.36	1.57	9.29	1.69	9.46	1.73	9.57	1.75	9.69	1.77	9.96	1.81	10.28	1.85		
						12	6.36	1.61	9.03	1.73	9.22	1.77	9.34	1.79	9.46	1.81	9.74	1.85	10.07	1.89		
						14	6.36	1.65	8.79	1.78	8.99	1.82	9.11	1.84	9.24	1.86	9.54	1.89	9.88	1.93		
						16	6.36	1.70	8.56	1.82	8.77	1.86	8.90	1.88	9.04	1.90	9.35	1.94	9.70	1.97		
						18	6.36	1.74	8.34	1.87	8.57	1.91	8.70	1.92	8.84	1.94	9.16	1.98	9.53	2.02		
						20	6.36	1.78	8.13	1.91	8.37	1.95	8.51	1.97	8.66	1.99	8.99	2.03	9.37	2.06		
						21	6.36	1.81	8.03	1.94	8.27	1.97	8.41	1.99	8.57	2.01	8.91	2.05	9.30	2.08		
						23	6.36	1.85	7.83	1.98	8.09	2.02	8.24	2.04	8.40	2.06	8.75	2.10	9.15	2.13		
						25	6.36	1.90	7.64	2.03	7.92	2.07	8.07	2.09	8.24	2.11	8.60	2.15	9.02	2.18		
						27	6.36	1.95	7.47	2.08	7.75	2.12	7.91	2.14	8.09	2.16	8.47	2.20	8.90	2.23		
						29	6.36	2.00	7.30	2.14	7.60	2.17	7.77	2.19	7.95	2.21	8.34	2.25	8.78	2.28		
						31	6.36	2.05	7.15	2.19	7.46	2.23	7.63	2.25	7.82	2.26	8.23	2.30	8.68	2.34		
						33	6.36	2.10	7.01	2.24	7.33	2.28	7.51	2.30	7.70	2.32	8.12	2.35	8.59	2.39		
						35	6.36	2.15	6.87	2.30	7.21	2.34	7.45	2.35	7.59	2.37	8.02	2.41	8.50	2.44		
						37	6.36	2.21	6.75	2.36	7.10	2.39	7.29	2.41	7.50	2.43	7.94	2.47	8.43	2.50		
						39	6.36	2.26	6.64	2.41	7.00	2.45	7.20	2.47	7.41	2.49	7.87	2.52	8.37	2.56		
						42	6.36	2.35	6.49	2.50	6.87	2.54	7.08	2.56	7.30	2.58	7.77	2.61	8.30	2.65		
44	6.36	2.41	6.40	2.56	6.79	2.60	7.01	2.62	7.24	2.64	7.73	2.67	8.26	2.71								
46	6.36	2.47	6.32	2.63	6.73	2.66	6.95	2.68	7.19	2.70	7.69	2.74	8.24	2.77								

12. Capacity Table

Combination (Capacity Index)				Combination (Total)	Combination (%)	Outdoor Temperature (°C,DB)	Indoor Temperature(°C, WB)													
							14		16		18		19		20		22		24	
							TC(kW)	PI(kW)	TC(kW)	PI(kW)	TC(kW)	PI(kW)	TC(kW)	PI(kW)	TC(kW)	PI(kW)	TC(kW)	PI(kW)	TC(kW)	PI(kW)
2500	2500			5000	63%	10	4.60	1.17	6.48	1.20	6.61	1.22	6.68	1.24	6.76	1.25	6.95	1.28	7.17	1.30
						12	4.60	1.20	6.31	1.22	6.44	1.25	6.52	1.27	6.60	1.28	6.80	1.31	7.03	1.33
						14	4.60	1.23	6.14	1.25	6.28	1.28	6.36	1.30	6.45	1.31	6.66	1.34	6.90	1.36
						16	4.60	1.26	5.97	1.29	6.12	1.31	6.21	1.33	6.31	1.34	6.52	1.37	6.77	1.39
						18	4.60	1.29	5.82	1.32	5.98	1.35	6.07	1.36	6.17	1.37	6.40	1.40	6.65	1.42
						20	4.60	1.32	5.67	1.35	5.84	1.38	5.94	1.39	6.04	1.41	6.28	1.43	6.54	1.46
						21	4.60	1.34	5.60	1.37	5.77	1.39	5.87	1.41	5.98	1.42	6.22	1.45	6.49	1.47
						23	4.60	1.37	5.47	1.40	5.65	1.43	5.75	1.44	5.86	1.46	6.11	1.48	6.39	1.51
						25	4.60	1.41	5.34	1.44	5.53	1.46	5.63	1.48	5.75	1.49	6.01	1.52	6.29	1.54
						27	4.60	1.44	5.21	1.47	5.41	1.50	5.52	1.51	5.64	1.53	5.91	1.55	6.21	1.58
						29	4.60	1.48	5.10	1.51	5.31	1.54	5.42	1.55	5.55	1.56	5.82	1.59	6.13	1.61
						31	4.60	1.52	4.99	1.55	5.21	1.57	5.33	1.59	5.46	1.60	5.74	1.63	6.06	1.65
						33	4.60	1.56	4.89	1.58	5.12	1.61	5.24	1.62	5.38	1.64	5.67	1.66	5.99	1.69
						35	4.60	1.60	4.80	1.62	5.03	1.65	5.20	1.66	5.30	1.68	5.60	1.70	5.94	1.73
						37	4.60	1.64	4.71	1.66	4.95	1.69	5.09	1.70	5.23	1.72	5.54	1.74	5.89	1.77
						39	4.60	1.68	4.63	1.71	4.89	1.73	5.02	1.74	5.17	1.76	5.49	1.78	5.84	1.81
42	4.60	1.74	4.53	1.77	4.79	1.80	4.94	1.81	5.09	1.82	5.43	1.85	5.79	1.87						
44	4.60	1.78	4.47	1.81	4.74	1.84	4.89	1.85	5.05	1.86	5.39	1.89	5.77	1.91						
46	4.60	1.83	4.41	1.86	4.70	1.88	4.85	1.90	5.02	1.91	5.37	1.93	5.75	1.96						
2500	3000			6000	75%	10	5.39	1.33	7.60	1.37	7.75	1.40	7.83	1.42	7.93	1.43	8.15	1.46	8.41	1.49
						12	5.39	1.37	7.40	1.40	7.55	1.43	7.64	1.45	7.75	1.47	7.98	1.50	8.25	1.53
						14	5.39	1.40	7.20	1.44	7.36	1.47	7.46	1.48	7.57	1.50	7.81	1.53	8.09	1.56
						16	5.39	1.44	7.01	1.47	7.18	1.50	7.29	1.52	7.40	1.54	7.65	1.57	7.94	1.59
						18	5.39	1.47	6.83	1.51	7.01	1.54	7.12	1.56	7.24	1.57	7.50	1.60	7.81	1.63
						20	5.39	1.51	6.65	1.55	6.85	1.58	6.96	1.59	7.09	1.61	7.36	1.64	7.67	1.67
						21	5.39	1.53	6.57	1.56	6.77	1.60	6.89	1.61	7.01	1.63	7.29	1.66	7.61	1.69
						23	5.39	1.57	6.41	1.60	6.62	1.64	6.74	1.65	6.87	1.67	7.16	1.70	7.49	1.72
						25	5.39	1.61	6.26	1.64	6.48	1.68	6.61	1.69	6.74	1.71	7.04	1.74	7.38	1.76
						27	5.39	1.65	6.12	1.68	6.35	1.72	6.48	1.73	6.62	1.75	6.93	1.78	7.28	1.80
						29	5.39	1.69	5.98	1.73	6.22	1.76	6.36	1.77	6.51	1.79	6.83	1.82	7.19	1.85
						31	5.39	1.74	5.85	1.77	6.11	1.80	6.25	1.82	6.40	1.83	6.73	1.86	7.11	1.89
						33	5.39	1.78	5.74	1.81	6.00	1.84	6.15	1.86	6.31	1.87	6.65	1.90	7.03	1.93
						35	5.39	1.83	5.63	1.86	5.90	1.89	6.10	1.90	6.22	1.92	6.57	1.95	6.96	1.98
						37	5.39	1.87	5.53	1.90	5.81	1.94	5.97	1.95	6.14	1.97	6.50	1.99	6.90	2.02
						39	5.39	1.92	5.43	1.95	5.73	1.98	5.89	2.00	6.07	2.01	6.44	2.04	6.85	2.07
42	5.39	1.99	5.31	2.02	5.62	2.05	5.79	2.07	5.97	2.08	6.37	2.11	6.79	2.14						
44	5.39	2.04	5.24	2.07	5.56	2.10	5.74	2.12	5.92	2.13	6.33	2.16	6.77	2.19						
46	5.39	2.09	5.18	2.12	5.51	2.15	5.69	2.17	5.88	2.18	6.29	2.21	6.74	2.24						

12. Capacity Table

Combination (Capacity Index)				Combination (Total)	Combination (%)	Outdoor Temperature (°C,DB)	Indoor Temperature(°C, WB)													
							14		16		18		19		20		22		24	
							TC(kW)	PI(kW)	TC(kW)	PI(kW)	TC(kW)	PI(kW)	TC(kW)	PI(kW)	TC(kW)	PI(kW)	TC(kW)	PI(kW)	TC(kW)	PI(kW)
2500	5000			7500	94%	10	6.36	1.57	8.98	1.61	9.15	1.65	9.25	1.67	9.36	1.69	9.62	1.72	9.93	1.76
						12	6.36	1.61	8.73	1.65	8.91	1.69	9.02	1.71	9.14	1.73	9.42	1.76	9.74	1.80
						14	6.36	1.65	8.50	1.69	8.69	1.73	8.81	1.75	8.93	1.77	9.22	1.80	9.55	1.84
						16	6.36	1.70	8.27	1.74	8.48	1.77	8.60	1.79	8.73	1.81	9.03	1.85	9.38	1.88
						18	6.36	1.74	8.06	1.78	8.28	1.82	8.41	1.83	8.54	1.85	8.86	1.89	9.21	1.92
						20	6.36	1.78	7.85	1.82	8.09	1.86	8.22	1.88	8.36	1.90	8.69	1.93	9.06	1.97
						21	6.36	1.81	7.76	1.84	7.99	1.88	8.13	1.90	8.28	1.92	8.61	1.95	8.98	1.99
						23	6.36	1.85	7.57	1.89	7.82	1.93	7.96	1.95	8.11	1.96	8.46	2.00	8.85	2.03
						25	6.36	1.90	7.39	1.94	7.65	1.98	7.80	1.99	7.96	2.01	8.32	2.05	8.72	2.08
						27	6.36	1.95	7.22	1.99	7.49	2.02	7.65	2.04	7.82	2.06	8.18	2.09	8.60	2.13
						29	6.36	2.00	7.06	2.04	7.35	2.07	7.51	2.09	7.68	2.11	8.06	2.14	8.49	2.18
						31	6.36	2.05	6.91	2.09	7.21	2.12	7.38	2.14	7.56	2.16	7.95	2.19	8.39	2.23
						33	6.36	2.10	6.77	2.14	7.08	2.17	7.26	2.19	7.44	2.21	7.85	2.24	8.30	2.28
						35	6.36	2.15	6.64	2.19	6.97	2.23	7.20	2.24	7.34	2.26	7.76	2.30	8.22	2.33
						37	6.36	2.21	6.52	2.25	6.86	2.28	7.05	2.30	7.24	2.32	7.67	2.35	8.15	2.38
						39	6.36	2.26	6.41	2.30	6.76	2.34	6.96	2.35	7.16	2.37	7.60	2.41	8.09	2.44
						42	6.36	2.35	6.27	2.39	6.64	2.42	6.84	2.44	7.05	2.46	7.51	2.49	8.02	2.52
44	6.36	2.41	6.18	2.44	6.57	2.48	6.77	2.50	6.99	2.52	7.47	2.55	7.99	2.58						
46	6.36	2.47	6.11	2.50	6.50	2.54	6.72	2.56	6.94	2.57	7.43	2.61	7.96	2.64						
2500	6800			9300	116%	10	6.36	1.57	9.41	1.71	9.59	1.76	9.70	1.78	9.82	1.79	10.09	1.83	10.41	1.87
						12	6.36	1.61	9.16	1.76	9.35	1.80	9.46	1.82	9.59	1.84	9.87	1.87	10.21	1.91
						14	6.36	1.65	8.91	1.80	9.11	1.84	9.23	1.86	9.37	1.88	9.67	1.92	10.02	1.95
						16	6.36	1.70	8.68	1.84	8.89	1.88	9.02	1.90	9.16	1.92	9.47	1.96	9.83	2.00
						18	6.36	1.74	8.45	1.89	8.68	1.93	8.81	1.95	8.96	1.97	9.29	2.01	9.66	2.04
						20	6.36	1.78	8.24	1.94	8.48	1.98	8.62	2.00	8.77	2.01	9.11	2.05	9.50	2.09
						21	6.36	1.81	8.13	1.96	8.38	2.00	8.53	2.02	8.68	2.04	9.03	2.08	9.42	2.11
						23	6.36	1.85	7.93	2.01	8.20	2.05	8.35	2.07	8.51	2.09	8.87	2.12	9.28	2.16
						25	6.36	1.90	7.75	2.06	8.02	2.10	8.18	2.12	8.35	2.14	8.72	2.17	9.14	2.21
						27	6.36	1.95	7.57	2.11	7.86	2.15	8.02	2.17	8.20	2.19	8.58	2.22	9.01	2.26
						29	6.36	2.00	7.40	2.16	7.70	2.20	7.87	2.22	8.05	2.24	8.45	2.28	8.90	2.31
						31	6.36	2.05	7.25	2.22	7.56	2.26	7.74	2.27	7.92	2.29	8.34	2.33	8.80	2.36
						33	6.36	2.10	7.10	2.27	7.43	2.31	7.61	2.33	7.80	2.35	8.23	2.38	8.70	2.42
						35	6.36	2.15	6.97	2.33	7.31	2.37	7.55	2.38	7.70	2.40	8.13	2.44	8.62	2.47
						37	6.36	2.21	6.84	2.39	7.19	2.42	7.39	2.44	7.60	2.46	8.05	2.50	8.55	2.53
						39	6.36	2.26	6.73	2.44	7.09	2.48	7.29	2.50	7.51	2.52	7.97	2.56	8.48	2.59
						42	6.36	2.35	6.57	2.54	6.96	2.57	7.17	2.59	7.40	2.61	7.88	2.65	8.41	2.68
44	6.36	2.41	6.49	2.60	6.89	2.64	7.10	2.65	7.33	2.67	7.83	2.71	8.37	2.74						
46	6.36	2.47	6.41	2.66	6.82	2.70	7.05	2.72	7.28	2.74	7.79	2.77	8.35	2.80						

12. Capacity Table

Combination (Capacity Index)				Combination (Total)	Combination (%)	Outdoor Temperature (°C,DB)	Indoor Temperature(°C, WB)															
							14		16		18		19		20		22		24			
							TC(kW)	PI(kW)	TC(kW)	PI(kW)	TC(kW)	PI(kW)	TC(kW)	PI(kW)	TC(kW)	PI(kW)	TC(kW)	PI(kW)	TC(kW)	PI(kW)		
3500	3500			7000	88%	10	6.19	1.75	8.73	1.79	8.89	1.84	8.99	1.86	9.10	1.88	9.36	1.92	9.66	1.96		
						12	6.19	1.79	8.49	1.84	8.67	1.88	8.77	1.90	8.89	1.92	9.15	1.96	9.47	2.00		
						14	6.19	1.84	8.26	1.88	8.45	1.92	8.56	1.95	8.68	1.97	8.96	2.01	9.29	2.04		
						16	6.19	1.89	8.04	1.93	8.24	1.97	8.36	1.99	8.49	2.01	8.78	2.05	9.12	2.09		
						18	6.19	1.93	7.83	1.98	8.05	2.02	8.17	2.04	8.31	2.06	8.61	2.10	8.96	2.14		
						20	6.19	1.98	7.64	2.03	7.86	2.07	7.99	2.09	8.13	2.11	8.45	2.15	8.81	2.18		
						21	6.19	2.01	7.54	2.05	7.77	2.09	7.90	2.11	8.05	2.13	8.37	2.17	8.74	2.21		
						23	6.19	2.06	7.36	2.10	7.60	2.14	7.74	2.16	7.89	2.18	8.22	2.22	8.60	2.26		
						25	6.19	2.11	7.18	2.15	7.44	2.20	7.58	2.22	7.74	2.24	8.08	2.27	8.47	2.31		
						27	6.19	2.16	7.02	2.21	7.29	2.25	7.44	2.27	7.60	2.29	7.96	2.33	8.36	2.36		
						29	6.19	2.22	6.86	2.26	7.14	2.30	7.30	2.32	7.47	2.34	7.84	2.38	8.25	2.42		
						31	6.19	2.28	6.72	2.32	7.01	2.36	7.17	2.38	7.35	2.40	7.73	2.44	8.15	2.47		
						33	6.19	2.33	6.58	2.38	6.89	2.42	7.06	2.44	7.24	2.46	7.63	2.49	8.07	2.53		
						35	6.19	2.39	6.46	2.44	6.77	2.48	7.00	2.49	7.13	2.52	7.54	2.55	7.99	2.59		
						37	6.19	2.45	6.34	2.50	6.67	2.54	6.85	2.56	7.04	2.58	7.46	2.61	7.92	2.65		
						39	6.19	2.52	6.24	2.56	6.58	2.60	6.76	2.62	6.96	2.64	7.39	2.67	7.87	2.71		
						42	6.19	2.61	6.09	2.65	6.45	2.69	6.65	2.71	6.86	2.73	7.30	2.77	7.80	2.80		
44	6.19	2.68	6.01	2.72	6.38	2.76	6.59	2.78	6.80	2.80	7.26	2.83	7.76	2.87								
46	6.19	2.74	5.94	2.78	6.32	2.82	6.53	2.84	6.75	2.86	7.22	2.90	7.74	2.93								
3500	5000			8500	106%	10	6.50	1.61	9.16	1.65	9.34	1.69	9.44	1.71	9.56	1.73	9.82	1.76	10.14	1.80		
						12	6.50	1.65	8.91	1.69	9.10	1.73	9.21	1.75	9.33	1.77	9.61	1.80	9.94	1.84		
						14	6.50	1.69	8.67	1.73	8.87	1.77	8.99	1.79	9.12	1.81	9.41	1.84	9.75	1.88		
						16	6.50	1.73	8.45	1.77	8.66	1.81	8.78	1.83	8.92	1.85	9.22	1.89	9.57	1.92		
						18	6.50	1.78	8.23	1.82	8.45	1.86	8.58	1.88	8.72	1.89	9.04	1.93	9.40	1.96		
						20	6.50	1.82	8.02	1.86	8.26	1.90	8.39	1.92	8.54	1.94	8.87	1.97	9.25	2.01		
						21	6.50	1.85	7.92	1.89	8.16	1.92	8.30	1.94	8.45	1.96	8.79	2.00	9.17	2.03		
						23	6.50	1.89	7.72	1.93	7.98	1.97	8.13	1.99	8.28	2.01	8.63	2.04	9.03	2.08		
						25	6.50	1.94	7.54	1.98	7.81	2.02	7.96	2.04	8.13	2.06	8.49	2.09	8.90	2.13		
						27	6.50	1.99	7.37	2.03	7.65	2.07	7.81	2.09	7.98	2.11	8.35	2.14	8.78	2.17		
						29	6.50	2.04	7.21	2.08	7.50	2.12	7.67	2.14	7.84	2.16	8.23	2.19	8.66	2.22		
						31	6.50	2.09	7.05	2.13	7.36	2.17	7.53	2.19	7.71	2.21	8.12	2.24	8.56	2.28		
						33	6.50	2.15	6.91	2.19	7.23	2.22	7.41	2.24	7.60	2.26	8.01	2.29	8.47	2.33		
						35	6.50	2.20	6.78	2.24	7.11	2.28	7.35	2.29	7.49	2.31	7.92	2.35	8.39	2.38		
						37	6.50	2.26	6.66	2.30	7.00	2.33	7.19	2.35	7.40	2.37	7.83	2.40	8.32	2.44		
						39	6.50	2.31	6.55	2.35	6.90	2.39	7.10	2.41	7.31	2.42	7.76	2.46	8.26	2.49		
						42	6.50	2.40	6.40	2.44	6.78	2.48	6.98	2.49	7.20	2.51	7.67	2.55	8.19	2.58		
44	6.50	2.46	6.31	2.50	6.70	2.54	6.92	2.55	7.14	2.57	7.62	2.61	8.15	2.64								
46	6.50	2.52	6.24	2.56	6.64	2.60	6.86	2.61	7.09	2.63	7.58	2.67	8.13	2.70								

12. Capacity Table

Combination (Capacity Index)				Combination (Total)	Combination (%)	Outdoor Temperature (°C,DB)	Indoor Temperature(°C, WB)													
							14		16		18		19		20		22		24	
							TC(kW)	PI(kW)	TC(kW)	PI(kW)	TC(kW)	PI(kW)	TC(kW)	PI(kW)	TC(kW)	PI(kW)	TC(kW)	PI(kW)	TC(kW)	PI(kW)
3500	6800			10300	129%	10	6.50	1.61	9.60	1.73	9.78	1.77	9.89	1.79	10.01	1.81	10.29	1.85	10.62	1.89
						12	6.50	1.65	9.34	1.77	9.53	1.81	9.65	1.83	9.78	1.85	10.07	1.89	10.41	1.93
						14	6.50	1.69	9.09	1.81	9.30	1.86	9.42	1.88	9.55	1.89	9.86	1.93	10.22	1.97
						16	6.50	1.73	8.85	1.86	9.07	1.90	9.20	1.92	9.34	1.94	9.66	1.98	10.03	2.01
						18	6.50	1.78	8.62	1.91	8.85	1.95	8.99	1.97	9.14	1.98	9.47	2.02	9.85	2.06
						20	6.50	1.82	8.40	1.95	8.65	1.99	8.79	2.01	8.95	2.03	9.29	2.07	9.69	2.11
						21	6.50	1.85	8.29	1.98	8.55	2.02	8.70	2.04	8.85	2.06	9.21	2.09	9.61	2.13
						23	6.50	1.89	8.09	2.03	8.36	2.07	8.51	2.09	8.68	2.10	9.04	2.14	9.46	2.18
						25	6.50	1.94	790	2.08	8.18	2.12	8.34	2.14	8.51	2.15	8.89	2.19	9.32	2.23
						27	6.50	1.99	772	2.13	8.01	2.17	8.18	2.19	8.36	2.21	8.75	2.24	9.19	2.28
						29	6.50	2.04	755	2.18	786	2.22	8.03	2.24	8.21	2.26	8.62	2.30	9.08	2.33
						31	6.50	2.09	739	2.24	771	2.27	789	2.29	8.08	2.31	8.50	2.35	8.97	2.38
						33	6.50	2.15	724	2.29	758	2.33	776	2.35	796	2.37	8.39	2.40	8.87	2.44
						35	6.50	2.20	710	2.35	745	2.39	770	2.40	785	2.42	8.29	2.46	8.79	2.50
						37	6.50	2.26	698	2.41	734	2.44	754	2.46	775	2.48	8.21	2.52	8.72	2.55
						39	6.50	2.31	686	2.47	723	2.50	744	2.52	766	2.54	8.13	2.58	8.65	2.61
						42	6.50	2.40	670	2.56	710	2.60	731	2.61	754	2.63	8.03	2.67	8.58	2.70
44	6.50	2.46	661	2.62	702	2.66	724	2.68	748	2.69	798	2.73	8.54	2.76						
46	6.50	2.52	654	2.68	696	2.72	718	2.74	743	2.76	795	2.79	8.51	2.83						
5000	5000			10000	125%	10	8.61	1.67	8.95	1.71	9.29	1.74	9.47	1.76	9.64	1.78	10.00	1.81	10.36	1.85
						12	8.46	1.71	8.80	1.75	9.15	1.79	9.32	1.80	9.50	1.82	9.85	1.86	10.21	1.89
						14	8.31	1.76	8.65	1.80	9.00	1.83	9.17	1.85	9.35	1.87	9.70	1.90	10.06	1.94
						16	8.17	1.81	8.51	1.84	8.85	1.88	9.03	1.90	9.20	1.92	9.56	1.95	9.92	1.99
						18	8.02	1.85	8.36	1.89	8.70	1.93	8.88	1.95	9.05	1.96	9.41	2.00	9.77	2.04
						20	7.87	1.90	8.21	1.94	8.56	1.98	8.73	1.99	8.91	2.01	9.27	2.05	9.63	2.09
						21	7.80	1.93	8.14	1.96	8.48	2.00	8.66	2.02	8.84	2.04	9.19	2.07	9.56	2.11
						23	7.65	1.98	799	2.01	8.34	2.05	8.51	2.07	8.69	2.09	9.05	2.12	9.41	2.16
						25	7.50	2.03	784	2.06	8.19	2.10	8.37	2.12	8.55	2.14	8.90	2.18	9.27	2.21
						27	7.35	2.08	770	2.11	8.05	2.15	8.22	2.17	8.40	2.19	8.76	2.23	9.12	2.26
						29	7.21	2.13	755	2.17	790	2.20	8.08	2.22	8.26	2.24	8.62	2.28	8.98	2.32
						31	7.06	2.18	741	2.22	776	2.26	793	2.28	8.11	2.30	8.47	2.33	8.84	2.37
						33	6.92	2.23	726	2.27	761	2.31	779	2.33	797	2.35	8.33	2.39	8.70	2.43
						35	6.77	2.29	712	2.33	747	2.37	766	2.38	783	2.40	8.19	2.44	8.55	2.48
						37	6.63	2.34	697	2.38	732	2.42	750	2.44	768	2.46	8.04	2.50	8.41	2.54
						39	6.48	2.40	683	2.44	718	2.48	736	2.50	754	2.52	790	2.56	8.27	2.59
						42	6.27	2.49	661	2.52	697	2.56	715	2.58	733	2.60	769	2.64	8.06	2.68
44	6.12	2.54	647	2.58	683	2.62	700	2.64	719	2.66	755	2.70	792	2.74						
46	5.98	2.60	633	2.64	668	2.68	686	2.70	704	2.72	741	2.76	778	2.80						

12. Capacity Table

Combination (Capacity Index)				Combination (Total)	Combination (%)	Outdoor Temperature (°C,DB)	Indoor Temperature(°C, WB)													
							14		16		18		19		20		22		24	
							TC(kW)	PI(kW)	TC(kW)	PI(kW)	TC(kW)	PI(kW)	TC(kW)	PI(kW)	TC(kW)	PI(kW)	TC(kW)	PI(kW)	TC(kW)	PI(kW)
5000	6800			11800	148%	10	8.77	1.70	9.11	1.74	9.46	1.78	9.64	1.80	9.82	1.81	10.18	1.85	10.54	1.89
						12	8.62	1.75	8.96	1.79	9.31	1.82	9.49	1.84	9.67	1.86	10.03	1.90	10.40	1.93
						14	8.47	1.80	8.81	1.83	9.16	1.87	9.34	1.89	9.52	1.91	9.88	1.94	10.25	1.98
						16	8.31	1.84	8.66	1.88	9.01	1.92	9.19	1.94	9.37	1.96	9.73	1.99	10.10	2.03
						18	8.16	1.89	8.51	1.93	8.86	1.97	9.04	1.99	9.22	2.00	9.58	2.04	9.95	2.08
						20	8.01	1.94	8.36	1.98	8.71	2.02	8.89	2.04	9.07	2.05	9.43	2.09	9.80	2.13
						21	794	197	8.29	2.00	8.64	2.04	8.82	2.06	9.00	2.08	9.36	2.12	9.73	2.16
						23	779	2.02	8.14	2.05	8.49	2.09	8.67	2.11	8.85	2.13	9.21	2.17	9.58	2.21
						25	764	2.07	7.99	2.11	8.34	2.14	8.52	2.16	8.70	2.18	9.07	2.22	9.44	2.26
						27	749	2.12	7.84	2.16	8.19	2.20	8.37	2.22	8.55	2.24	8.92	2.27	9.29	2.31
						29	734	2.17	7.69	2.21	8.05	2.25	8.23	2.27	8.41	2.29	8.77	2.33	9.14	2.37
						31	719	2.23	7.54	2.27	7.90	2.30	8.08	2.32	8.26	2.34	8.63	2.38	9.00	2.42
						33	704	2.28	7.39	2.32	7.75	2.36	7.93	2.38	8.11	2.40	8.48	2.44	8.85	2.48
						35	6.89	2.34	7.25	2.38	7.60	2.42	7.80	2.43	7.97	2.45	8.34	2.49	8.71	2.53
						37	6.75	2.39	7.10	2.43	7.46	2.47	7.64	2.49	7.82	2.51	8.19	2.55	8.57	2.59
						39	6.60	2.45	6.95	2.49	7.31	2.53	7.49	2.55	7.68	2.57	8.05	2.61	8.42	2.65
42	6.38	2.54	6.73	2.58	7.10	2.62	7.28	2.64	7.46	2.66	7.83	2.70	8.21	2.74						
44	6.23	2.60	6.59	2.64	6.95	2.68	7.13	2.70	7.32	2.72	7.69	2.76	8.06	2.80						
46	6.09	2.66	6.44	2.70	6.81	2.74	6.99	2.76	7.17	2.78	7.54	2.82	7.92	2.86						
2000	2000	2000		6000	75%	10	5.30	1.30	7.48	1.33	7.62	1.36	7.71	1.38	7.80	1.40	8.02	1.42	8.28	1.45
						12	5.30	1.33	7.28	1.37	7.43	1.40	7.52	1.41	7.62	1.43	7.85	1.46	8.11	1.49
						14	5.30	1.37	7.08	1.40	7.24	1.43	7.34	1.45	7.44	1.46	7.68	1.49	7.96	1.52
						16	5.30	1.40	6.89	1.43	7.07	1.46	7.17	1.48	7.28	1.49	7.53	1.52	7.81	1.55
						18	5.30	1.44	6.72	1.47	6.90	1.50	7.00	1.52	7.12	1.53	7.38	1.56	7.68	1.59
						20	5.30	1.47	6.55	1.50	6.74	1.54	6.85	1.55	6.97	1.57	7.24	1.60	7.55	1.62
						21	5.30	1.49	6.46	1.52	6.66	1.55	6.78	1.57	6.90	1.58	7.17	1.61	7.49	1.64
						23	5.30	1.53	6.31	1.56	6.51	1.59	6.63	1.61	6.76	1.62	7.05	1.65	7.37	1.68
						25	5.30	1.57	6.16	1.60	6.38	1.63	6.50	1.65	6.63	1.66	6.93	1.69	7.26	1.72
						27	5.30	1.61	6.02	1.64	6.25	1.67	6.37	1.69	6.51	1.70	6.82	1.73	7.16	1.76
						29	5.30	1.65	5.88	1.68	6.12	1.71	6.26	1.73	6.40	1.74	6.72	1.77	7.07	1.80
						31	5.30	1.69	5.76	1.72	6.01	1.75	6.15	1.77	6.30	1.78	6.62	1.81	6.99	1.84
						33	5.30	1.73	5.64	1.77	5.90	1.80	6.05	1.81	6.20	1.83	6.54	1.85	6.92	1.88
						35	5.30	1.78	5.54	1.81	5.81	1.84	6.00	1.85	6.12	1.87	6.46	1.90	6.85	1.92
						37	5.30	1.82	5.44	1.85	5.72	1.88	5.87	1.90	6.04	1.91	6.39	1.94	6.79	1.97
						39	5.30	1.87	5.34	1.90	5.64	1.93	5.80	1.94	5.97	1.96	6.34	1.99	6.74	2.01
42	5.30	1.94	5.22	1.97	5.53	2.00	5.70	2.01	5.88	2.03	6.26	2.06	6.68	2.08						
44	5.30	1.99	5.15	2.02	5.47	2.05	5.64	2.06	5.83	2.08	6.22	2.10	6.65	2.13						
46	5.30	2.04	5.09	2.07	5.42	2.10	5.60	2.11	5.79	2.13	6.19	2.15	6.63	2.18						

12. Capacity Table

Combination (Capacity Index)				Combination (Total)	Combination (%)	Outdoor Temperature (°C, DB)	Indoor Temperature(°C, WB)													
							14		16		18		19		20		22		24	
							TC(kW)	PI(kW)	TC(kW)	PI(kW)	TC(kW)	PI(kW)	TC(kW)	PI(kW)	TC(kW)	PI(kW)	TC(kW)	PI(kW)	TC(kW)	PI(kW)
2000	2000	2500	6500	81%	10	5.83	1.41	8.23	1.44	8.38	1.47	8.48	1.49	8.58	1.51	8.82	1.54	9.10	1.57	
					12	5.83	1.44	8.00	1.48	8.17	1.51	8.27	1.53	8.38	1.54	8.63	1.57	8.93	1.61	
					14	5.83	1.48	7.79	1.51	7.97	1.55	8.07	1.56	8.19	1.58	8.45	1.61	8.76	1.64	
					16	5.83	1.51	7.58	1.55	7.77	1.58	7.88	1.60	8.01	1.62	8.28	1.65	8.60	1.68	
					18	5.83	1.55	7.39	1.59	7.59	1.62	7.70	1.64	7.83	1.65	8.12	1.69	8.45	1.72	
					20	5.83	1.59	7.20	1.63	7.41	1.66	7.53	1.68	7.67	1.69	7.96	1.72	8.30	1.75	
					21	5.83	1.61	7.11	1.65	7.33	1.68	7.45	1.70	7.59	1.71	7.89	1.74	8.24	1.77	
					23	5.83	1.65	6.94	1.69	7.17	1.72	7.30	1.74	7.44	1.75	7.75	1.78	8.11	1.81	
					25	5.83	1.70	6.77	1.73	7.01	1.76	7.15	1.78	7.30	1.80	7.62	1.83	7.99	1.86	
					27	5.83	1.74	6.62	1.77	6.87	1.81	7.01	1.82	7.16	1.84	7.50	1.87	7.88	1.90	
					29	5.83	1.78	6.47	1.82	6.74	1.85	6.88	1.87	7.04	1.88	7.39	1.91	7.78	1.94	
					31	5.83	1.83	6.33	1.86	6.61	1.90	6.76	1.91	6.93	1.93	7.29	1.96	7.69	1.99	
					33	5.83	1.87	6.21	1.91	6.49	1.94	6.65	1.96	6.82	1.97	7.19	2.00	7.61	2.03	
					35	5.83	1.92	6.09	1.96	6.39	1.99	6.60	2.00	6.73	2.02	7.11	2.05	7.53	2.08	
					37	5.83	1.97	5.98	2.00	6.29	2.04	6.46	2.05	6.64	2.07	7.03	2.10	7.47	2.13	
					39	5.83	2.02	5.88	2.05	6.20	2.09	6.38	2.10	6.56	2.12	6.97	2.15	7.42	2.18	
					42	5.83	2.10	5.75	2.13	6.08	2.16	6.27	2.18	6.46	2.19	6.89	2.22	7.35	2.25	
44	5.83	2.15	5.67	2.18	6.02	2.21	6.21	2.23	6.41	2.25	6.84	2.28	7.32	2.30						
46	5.83	2.20	5.60	2.24	5.96	2.27	6.16	2.28	6.37	2.30	6.81	2.33	7.30	2.36						
2000	2000	3500	7500	94%	10	6.36	1.61	8.98	1.65	9.15	1.69	9.25	1.71	9.36	1.73	9.62	1.76	9.93	1.80	
					12	6.36	1.65	8.73	1.69	8.91	1.73	9.02	1.75	9.14	1.77	9.42	1.80	9.74	1.84	
					14	6.36	1.69	8.50	1.73	8.69	1.77	8.81	1.79	8.93	1.81	9.22	1.84	9.55	1.88	
					16	6.36	1.73	8.27	1.77	8.48	1.81	8.60	1.83	8.73	1.85	9.03	1.89	9.38	1.92	
					18	6.36	1.78	8.06	1.82	8.28	1.86	8.41	1.88	8.54	1.89	8.86	1.93	9.21	1.96	
					20	6.36	1.82	7.85	1.86	8.09	1.90	8.22	1.92	8.36	1.94	8.69	1.97	9.06	2.01	
					21	6.36	1.85	7.76	1.89	7.99	1.92	8.13	1.94	8.28	1.96	8.61	2.00	8.98	2.03	
					23	6.36	1.89	7.57	1.93	7.82	1.97	7.96	1.99	8.11	2.01	8.46	2.04	8.85	2.08	
					25	6.36	1.94	7.39	1.98	7.65	2.02	7.80	2.04	7.96	2.06	8.32	2.09	8.72	2.13	
					27	6.36	1.99	7.22	2.03	7.49	2.07	7.65	2.09	7.82	2.11	8.18	2.14	8.60	2.17	
					29	6.36	2.04	7.06	2.08	7.35	2.12	7.51	2.14	7.68	2.16	8.06	2.19	8.49	2.22	
					31	6.36	2.09	6.91	2.13	7.21	2.17	7.38	2.19	7.56	2.21	7.95	2.24	8.39	2.28	
					33	6.36	2.15	6.77	2.19	7.08	2.22	7.26	2.24	7.44	2.26	7.85	2.29	8.30	2.33	
					35	6.36	2.20	6.64	2.24	6.97	2.28	7.20	2.29	7.34	2.31	7.76	2.35	8.22	2.38	
					37	6.36	2.26	6.52	2.30	6.86	2.33	7.05	2.35	7.24	2.37	7.67	2.40	8.15	2.44	
					39	6.36	2.31	6.41	2.35	6.76	2.39	6.96	2.41	7.16	2.42	7.60	2.46	8.09	2.49	
					42	6.36	2.40	6.27	2.44	6.64	2.48	6.84	2.49	7.05	2.51	7.51	2.55	8.02	2.58	
44	6.36	2.46	6.18	2.50	6.57	2.54	6.77	2.55	6.99	2.57	7.47	2.61	7.99	2.64						
46	6.36	2.52	6.11	2.56	6.50	2.60	6.72	2.61	6.94	2.63	7.43	2.67	7.96	2.70						

12. Capacity Table

Combination (Capacity Index)				Combination (Total)	Combination (%)	Outdoor Temperature (°C,DB)	Indoor Temperature(°C, WB)													
							14		16		18		19		20		22		24	
							TC(kW)	PI(kW)	TC(kW)	PI(kW)	TC(kW)	PI(kW)	TC(kW)	PI(kW)	TC(kW)	PI(kW)	TC(kW)	PI(kW)	TC(kW)	PI(kW)
2000	2000	5000		9000	113%	10	8.49	1.59	8.82	1.62	9.16	1.65	9.33	1.67	9.50	1.69	9.85	1.72	10.21	1.75
						12	8.34	1.63	8.68	1.66	9.01	1.70	9.19	1.71	9.36	1.73	9.71	1.76	10.06	1.80
						14	8.19	1.67	8.53	1.71	8.87	1.74	9.04	1.76	9.21	1.77	9.56	1.81	9.92	1.84
						16	8.05	1.72	8.38	1.75	8.72	1.78	8.90	1.80	9.07	1.82	9.42	1.85	9.78	1.89
						18	7.90	1.76	8.24	1.79	8.58	1.83	8.75	1.85	8.92	1.86	9.28	1.90	9.63	1.93
						20	7.76	1.81	8.09	1.84	8.43	1.88	8.61	1.89	8.78	1.91	9.13	1.95	9.49	1.98
						21	7.68	1.83	8.02	1.86	8.36	1.90	8.53	1.92	8.71	1.93	9.06	1.97	9.42	2.00
						23	7.54	1.88	7.88	1.91	8.22	1.95	8.39	1.96	8.57	1.98	8.92	2.02	9.28	2.05
						25	7.39	1.92	7.73	1.96	8.07	1.99	8.25	2.01	8.42	2.03	8.78	2.07	9.13	2.10
						27	7.25	1.97	7.59	2.01	7.93	2.04	8.10	2.06	8.28	2.08	8.63	2.11	8.99	2.15
						29	7.10	2.02	7.44	2.06	7.79	2.09	7.96	2.11	8.14	2.13	8.49	2.16	8.85	2.20
						31	6.96	2.07	7.30	2.11	7.65	2.14	7.82	2.16	8.00	2.18	8.35	2.22	8.71	2.25
						33	6.82	2.12	7.16	2.16	7.50	2.19	7.68	2.21	7.85	2.23	8.21	2.27	8.57	2.30
						35	6.67	2.17	7.01	2.21	7.36	2.25	7.55	2.26	7.71	2.28	8.07	2.32	8.43	2.36
						37	6.53	2.23	6.87	2.26	7.22	2.30	7.40	2.32	7.57	2.34	7.93	2.37	8.29	2.41
						39	6.39	2.28	6.73	2.32	7.08	2.35	7.25	2.37	7.43	2.39	7.79	2.43	8.15	2.46
						42	6.18	2.36	6.52	2.40	6.87	2.43	7.04	2.45	7.22	2.47	7.58	2.51	7.94	2.55
44	6.03	2.42	6.38	2.45	6.73	2.49	6.90	2.51	7.08	2.53	7.44	2.57	7.81	2.60						
46	5.89	2.47	6.24	2.51	6.59	2.55	6.76	2.57	6.94	2.58	7.30	2.62	7.67	2.66						
2000	2000	6800		10800	135%	10	8.49	1.59	9.35	1.68	9.71	1.71	9.89	1.73	10.07	1.75	10.44	1.78	10.81	1.82
						12	8.34	1.63	9.19	1.72	9.55	1.76	9.73	1.77	9.92	1.79	10.29	1.83	10.66	1.86
						14	8.19	1.67	9.04	1.77	9.40	1.80	9.58	1.82	9.76	1.84	10.13	1.87	10.51	1.91
						16	8.05	1.72	8.88	1.81	9.24	1.85	9.43	1.87	9.61	1.88	9.98	1.92	10.36	1.95
						18	7.90	1.76	8.73	1.86	9.09	1.89	9.27	1.91	9.46	1.93	9.83	1.97	10.21	2.00
						20	7.76	1.81	8.57	1.91	8.94	1.94	9.12	1.96	9.30	1.98	9.68	2.01	10.05	2.05
						21	7.68	1.83	8.50	1.93	8.86	1.97	9.04	1.98	9.23	2.00	9.60	2.04	9.98	2.08
						23	7.54	1.88	8.34	1.98	8.71	2.02	8.89	2.03	9.08	2.05	9.45	2.09	9.83	2.12
						25	7.39	1.92	8.19	2.03	8.56	2.07	8.74	2.08	8.92	2.10	9.30	2.14	9.68	2.18
						27	7.25	1.97	8.04	2.08	8.40	2.12	8.59	2.13	8.77	2.15	9.15	2.19	9.53	2.23
						29	7.10	2.02	7.89	2.13	8.25	2.17	8.44	2.19	8.62	2.20	9.00	2.24	9.38	2.28
						31	6.96	2.07	7.74	2.18	8.10	2.22	8.29	2.24	8.47	2.26	8.85	2.29	9.23	2.33
						33	6.82	2.12	7.58	2.23	7.95	2.27	8.14	2.29	8.32	2.31	8.70	2.35	9.08	2.39
						35	6.67	2.17	7.43	2.29	7.80	2.33	8.00	2.34	8.17	2.36	8.55	2.40	8.93	2.44
						37	6.53	2.23	7.28	2.34	7.65	2.38	7.84	2.40	8.02	2.42	8.40	2.46	8.79	2.50
						39	6.39	2.28	7.13	2.40	7.50	2.44	7.69	2.46	7.87	2.47	8.25	2.51	8.64	2.55
						42	6.18	2.36	6.91	2.48	7.28	2.52	7.46	2.54	7.65	2.56	8.03	2.60	8.42	2.64
44	6.03	2.42	6.76	2.54	7.13	2.58	7.32	2.60	7.50	2.62	7.88	2.66	8.27	2.70						
46	5.89	2.47	6.61	2.60	6.98	2.64	7.17	2.66	7.36	2.68	7.74	2.72	8.12	2.75						

12. Capacity Table

Combination (Capacity Index)				Combination (Total)	Combination (%)	Outdoor Temperature (°C,DB)	Indoor Temperature(°C, WB)															
							14		16		18		19		20		22		24			
							TC(kW)	PI(kW)	TC(kW)	PI(kW)	TC(kW)	PI(kW)	TC(kW)	PI(kW)	TC(kW)	PI(kW)	TC(kW)	PI(kW)	TC(kW)	PI(kW)		
2000	2500	2500	7000	88%	10	6.19	1.56	8.73	1.60	8.89	1.64	8.99	1.66	9.10	1.67	9.36	1.71	9.66	1.74			
					12	6.19	1.60	8.49	1.64	8.67	1.68	8.77	1.69	8.89	1.71	9.15	1.75	9.47	1.78			
					14	6.19	1.64	8.26	1.68	8.45	1.72	8.56	1.73	8.68	1.75	8.96	1.79	9.29	1.82			
					16	6.19	1.68	8.04	1.72	8.24	1.76	8.36	1.78	8.49	1.79	8.78	1.83	9.12	1.86			
					18	6.19	1.72	7.83	1.76	8.05	1.80	8.17	1.82	8.31	1.84	8.61	1.87	8.96	1.90			
					20	6.19	1.77	7.64	1.81	7.86	1.84	7.99	1.86	8.13	1.88	8.45	1.91	8.81	1.95			
					21	6.19	1.79	7.54	1.83	7.77	1.87	7.90	1.88	8.05	1.90	8.37	1.94	8.74	1.97			
					23	6.19	1.84	7.36	1.87	7.60	1.91	7.74	1.93	7.89	1.95	8.22	1.98	8.60	2.01			
					25	6.19	1.88	7.18	1.92	7.44	1.96	7.58	1.98	7.74	1.99	8.08	2.03	8.47	2.06			
					27	6.19	1.93	7.02	1.97	7.29	2.01	7.44	2.02	7.60	2.04	7.96	2.07	8.36	2.11			
					29	6.19	1.98	6.86	2.02	7.14	2.05	7.30	2.07	7.47	2.09	7.84	2.12	8.25	2.16			
					31	6.19	2.03	6.72	2.07	7.01	2.10	7.17	2.12	7.35	2.14	7.73	2.17	8.15	2.21			
					33	6.19	2.08	6.58	2.12	6.89	2.16	7.06	2.17	7.24	2.19	7.63	2.22	8.07	2.26			
					35	6.19	2.13	6.46	2.17	6.77	2.21	7.00	2.22	7.13	2.15	7.54	2.28	7.99	2.31			
					37	6.19	2.19	6.34	2.23	6.67	2.26	6.85	2.28	7.04	2.30	7.46	2.33	7.92	2.36			
					39	6.19	2.24	6.24	2.28	6.58	2.32	6.76	2.33	6.96	2.35	7.39	2.38	7.87	2.42			
					42	6.19	2.33	6.09	2.36	6.45	2.40	6.65	2.42	6.86	2.43	7.30	2.47	7.80	2.50			
44	6.19	2.39	6.01	2.42	6.38	2.46	6.59	2.48	6.80	2.49	7.26	2.53	7.76	2.56								
46	6.19	2.45	5.94	2.48	6.32	2.52	6.53	2.53	6.75	2.55	7.22	2.58	7.74	2.62								
2000	2500	3500	8000	100%	10	8.22	1.42	8.54	1.45	8.87	1.49	9.04	1.50	9.20	1.52	9.54	1.55	9.88	1.58			
					12	8.08	1.46	8.40	1.49	8.73	1.52	8.89	1.54	9.06	1.55	9.40	1.58	9.74	1.62			
					14	7.93	1.50	8.26	1.53	8.59	1.56	8.75	1.58	8.92	1.59	9.26	1.62	9.60	1.66			
					16	7.79	1.54	8.12	1.57	8.45	1.60	8.61	1.62	8.78	1.63	9.12	1.66	9.46	1.70			
					18	7.65	1.58	7.98	1.61	8.31	1.64	8.47	1.66	8.64	1.67	8.98	1.71	9.33	1.74			
					20	7.51	1.62	7.84	1.65	8.17	1.68	8.33	1.70	8.50	1.72	8.84	1.75	9.19	1.78			
					21	7.44	1.64	7.77	1.67	8.10	1.71	8.26	1.72	8.43	1.74	8.77	1.77	9.12	1.80			
					23	7.30	1.68	7.62	1.72	7.96	1.75	8.12	1.76	8.29	1.78	8.63	1.81	8.98	1.84			
					25	7.16	1.73	7.49	1.76	7.82	1.79	7.99	1.81	8.15	1.82	8.50	1.86	8.84	1.89			
					27	7.02	1.77	7.35	1.80	7.68	1.84	7.85	1.85	8.02	1.87	8.36	1.90	8.71	1.93			
					29	6.88	1.82	7.21	1.85	7.54	1.88	7.71	1.90	7.88	1.91	8.22	1.94	8.57	1.98			
					31	6.74	1.86	7.07	1.89	7.40	1.93	7.57	1.94	7.74	1.96	8.09	1.99	8.43	2.02			
					33	6.60	1.91	6.93	1.94	7.26	1.97	7.43	1.99	7.60	2.00	7.95	2.04	8.30	2.07			
					35	6.46	1.95	6.79	1.98	7.13	2.02	7.31	2.03	7.47	2.15	7.81	2.08	8.16	2.12			
					37	6.32	2.00	6.65	2.03	6.99	2.07	7.16	2.08	7.33	2.10	7.68	2.13	8.03	2.16			
					39	6.19	2.05	6.52	2.08	6.85	2.11	7.02	2.13	7.20	2.15	7.54	2.18	7.89	2.21			
					42	5.98	2.12	6.31	2.15	6.65	2.19	6.82	2.20	6.99	2.22	7.34	2.25	7.69	2.29			
44	5.84	2.17	6.18	2.20	6.51	2.24	6.68	2.25	6.86	2.27	7.20	2.30	7.56	2.34								
46	5.71	2.22	6.04	2.25	6.38	2.29	6.55	2.30	6.72	2.32	7.07	2.36	7.42	2.39								

12. Capacity Table

Combination (Capacity Index)				Combination (Total)	Combination (%)	Outdoor Temperature (°C,DB)	Indoor Temperature(°C, WB)													
							14		16		18		19		20		22		24	
							TC(kW)	PI(kW)	TC(kW)	PI(kW)	TC(kW)	PI(kW)	TC(kW)	PI(kW)	TC(kW)	PI(kW)	TC(kW)	PI(kW)	TC(kW)	PI(kW)
2000	2500	5000	9500	119%	10	8.60	1.59	8.94	1.62	9.28	1.65	9.46	1.67	9.63	1.69	9.98	1.72	10.34	1.75	
					12	8.45	1.63	8.79	1.66	9.13	1.70	9.31	1.71	9.48	1.73	9.84	1.76	10.20	1.80	
					14	8.30	1.67	8.64	1.71	8.99	1.74	9.16	1.76	9.34	1.77	9.69	1.81	10.05	1.84	
					16	8.15	1.72	8.49	1.75	8.84	1.78	9.01	1.80	9.19	1.82	9.54	1.85	9.90	1.89	
					18	8.01	1.76	8.35	1.79	8.69	1.83	8.87	1.85	9.04	1.86	9.40	1.90	9.76	1.93	
					20	7.86	1.81	8.20	1.84	8.55	1.88	8.72	1.89	8.90	1.91	9.25	1.95	9.61	1.98	
					21	7.78	1.83	8.13	1.86	8.47	1.90	8.65	1.92	8.82	1.93	9.18	1.97	9.54	2.00	
					23	7.64	1.88	7.98	1.91	8.33	1.95	8.50	1.96	8.68	1.98	9.04	2.02	9.40	2.05	
					25	7.49	1.92	7.83	1.96	8.18	1.99	8.36	2.01	8.53	2.03	8.89	2.07	9.26	2.10	
					27	7.34	1.97	7.69	2.01	8.04	2.04	8.21	2.06	8.39	2.08	8.75	2.11	9.11	2.15	
					29	7.20	2.02	7.54	2.06	7.89	2.09	8.07	2.11	8.25	2.13	8.60	2.16	8.97	2.20	
					31	7.05	2.07	7.40	2.11	7.75	2.14	7.92	2.16	8.10	2.18	8.46	2.22	8.83	2.25	
					33	6.91	2.12	7.25	2.16	7.60	2.19	7.78	2.21	7.96	2.23	8.32	2.27	8.68	2.30	
					35	6.76	2.17	7.11	2.21	7.46	2.25	7.65	2.26	7.81	2.28	8.18	2.32	8.54	2.36	
					37	6.62	2.23	6.96	2.26	7.32	2.30	7.49	2.32	7.67	2.34	8.03	2.37	8.40	2.41	
					39	6.47	2.28	6.82	2.32	7.17	2.35	7.35	2.37	7.53	2.39	7.89	2.43	8.26	2.46	
					42	6.26	2.36	6.61	2.40	6.96	2.43	7.14	2.45	7.32	2.47	7.68	2.51	8.05	2.55	
44	6.11	2.42	6.46	2.45	6.82	2.49	7.00	2.51	7.18	2.53	7.54	2.57	7.91	2.60						
46	5.97	2.47	6.32	2.51	6.67	2.55	6.85	2.57	7.03	2.58	7.40	2.62	7.77	2.66						
2000	2500	6800	11300	141%	10	8.60	1.59	9.35	1.68	9.71	1.71	9.89	1.73	10.07	1.75	10.44	1.78	10.81	1.82	
					12	8.45	1.63	9.19	1.72	9.55	1.76	9.73	1.77	9.92	1.79	10.29	1.83	10.66	1.86	
					14	8.30	1.67	9.04	1.77	9.40	1.80	9.58	1.82	9.76	1.84	10.13	1.87	10.51	1.91	
					16	8.15	1.72	8.88	1.81	9.24	1.85	9.43	1.87	9.61	1.88	9.98	1.92	10.36	1.95	
					18	8.01	1.76	8.73	1.86	9.09	1.89	9.27	1.91	9.46	1.93	9.83	1.97	10.21	2.00	
					20	7.86	1.81	8.57	1.91	8.94	1.94	9.12	1.96	9.30	1.98	9.68	2.01	10.05	2.05	
					21	7.78	1.83	8.50	1.93	8.86	1.97	9.04	1.98	9.23	2.00	9.60	2.04	9.98	2.08	
					23	7.64	1.88	8.34	1.98	8.71	2.02	8.89	2.03	9.08	2.05	9.45	2.09	9.83	2.12	
					25	7.49	1.92	8.19	2.03	8.56	2.07	8.74	2.08	8.92	2.10	9.30	2.14	9.68	2.18	
					27	7.34	1.97	8.04	2.08	8.40	2.12	8.59	2.13	8.77	2.15	9.15	2.19	9.53	2.23	
					29	7.20	2.02	7.89	2.13	8.25	2.17	8.44	2.19	8.62	2.20	9.00	2.24	9.38	2.28	
					31	7.05	2.07	7.74	2.18	8.10	2.22	8.29	2.24	8.47	2.26	8.85	2.29	9.23	2.33	
					33	6.91	2.12	7.58	2.23	7.95	2.27	8.14	2.29	8.32	2.31	8.70	2.35	9.08	2.39	
					35	6.76	2.17	7.43	2.29	7.80	2.33	8.00	2.34	8.17	2.36	8.55	2.40	8.93	2.44	
					37	6.62	2.23	7.28	2.34	7.65	2.38	7.84	2.40	8.02	2.42	8.40	2.46	8.79	2.50	
					39	6.47	2.28	7.13	2.40	7.50	2.44	7.69	2.46	7.87	2.47	8.25	2.51	8.64	2.55	
					42	6.26	2.36	6.91	2.48	7.28	2.52	7.46	2.54	7.65	2.56	8.03	2.60	8.42	2.64	
44	6.11	2.42	6.76	2.54	7.13	2.58	7.32	2.60	7.50	2.62	7.88	2.66	8.27	2.70						
46	5.97	2.47	6.61	2.60	6.98	2.64	7.17	2.66	7.36	2.68	7.74	2.72	8.12	2.75						

12. Capacity Table

Combination (Capacity Index)				Combination (Total)	Combination (%)	Outdoor Temperature (°C, DB)	Indoor Temperature(°C, WB)													
							14		16		18		19		20		22		24	
							TC(kW)	PI(kW)	TC(kW)	PI(kW)	TC(kW)	PI(kW)	TC(kW)	PI(kW)	TC(kW)	PI(kW)	TC(kW)	PI(kW)	TC(kW)	PI(kW)
2000	3500	3500	9000	113%	10	8.48	1.59	8.81	1.62	9.15	1.65	9.32	1.67	9.49	1.69	9.84	1.72	10.19	1.75	
					12	8.33	1.63	8.66	1.66	9.00	1.70	9.17	1.71	9.35	1.73	9.70	1.76	10.05	1.80	
					14	8.18	1.67	8.52	1.71	8.86	1.74	9.03	1.76	9.20	1.77	9.55	1.81	9.91	1.84	
					16	8.04	1.72	8.37	1.75	8.71	1.78	8.88	1.80	9.06	1.82	9.41	1.85	9.76	1.89	
					18	7.89	1.76	8.23	1.79	8.57	1.83	8.74	1.85	8.91	1.86	9.26	1.90	9.62	1.93	
					20	7.75	1.81	8.08	1.84	8.42	1.88	8.60	1.89	8.77	1.91	9.12	1.95	9.48	1.98	
					21	7.67	1.83	8.01	1.86	8.35	1.90	8.52	1.92	8.70	1.93	9.05	1.97	9.41	2.00	
					23	7.53	1.88	7.86	1.91	8.21	1.95	8.38	1.96	8.55	1.98	8.91	2.02	9.26	2.05	
					25	7.38	1.92	7.72	1.96	8.06	1.99	8.24	2.01	8.41	2.03	8.76	2.07	9.12	2.10	
					27	7.24	1.97	7.58	2.01	7.92	2.04	8.09	2.06	8.27	2.08	8.62	2.11	8.98	2.15	
					29	7.09	2.02	7.43	2.06	7.78	2.09	7.95	2.11	8.13	2.13	8.48	2.16	8.84	2.20	
					31	6.95	2.07	7.29	2.11	7.64	2.14	7.81	2.16	7.98	2.18	8.34	2.22	8.70	2.25	
					33	6.81	2.12	7.15	2.16	7.49	2.19	7.67	2.21	7.84	2.23	8.20	2.27	8.56	2.30	
					35	6.66	2.17	7.01	2.21	7.35	2.25	7.54	2.26	7.70	2.28	8.06	2.32	8.42	2.36	
					37	6.52	2.23	6.86	2.26	7.21	2.30	7.39	2.32	7.56	2.34	7.92	2.37	8.28	2.41	
					39	6.38	2.28	6.72	2.32	7.07	2.35	7.24	2.37	7.42	2.39	7.78	2.43	8.14	2.46	
					42	6.17	2.36	6.51	2.40	6.86	2.43	7.03	2.45	7.21	2.47	7.57	2.51	7.93	2.55	
44	6.03	2.42	6.37	2.45	6.72	2.49	6.89	2.51	7.07	2.53	7.43	2.57	7.80	2.60						
46	5.88	2.47	6.23	2.51	6.58	2.55	6.76	2.57	6.93	2.58	7.29	2.62	7.66	2.66						
2000	3500	5000	10500	131%	10	8.86	1.63	9.21	1.67	9.56	1.70	9.74	1.72	9.92	1.74	10.28	1.77	10.65	1.81	
					12	8.71	1.68	9.06	1.71	9.41	1.75	9.59	1.77	9.77	1.78	10.13	1.82	10.50	1.85	
					14	8.55	1.72	8.90	1.76	9.26	1.79	9.44	1.81	9.62	1.83	9.98	1.86	10.35	1.90	
					16	8.40	1.77	8.75	1.80	9.11	1.84	9.28	1.86	9.47	1.88	9.83	1.91	10.20	1.95	
					18	8.25	1.81	8.60	1.85	8.95	1.89	9.13	1.90	9.31	1.92	9.68	1.96	10.05	1.99	
					20	8.09	1.86	8.45	1.90	8.80	1.93	8.98	1.95	9.16	1.97	9.53	2.01	9.90	2.04	
					21	8.02	1.89	8.37	1.92	8.73	1.96	8.91	1.98	9.09	1.99	9.46	2.03	9.83	2.07	
					23	7.87	1.93	8.22	1.97	8.58	2.01	8.76	2.02	8.94	2.04	9.31	2.08	9.68	2.12	
					25	7.72	1.98	8.07	2.02	8.43	2.06	8.61	2.07	8.79	2.09	9.16	2.13	9.53	2.17	
					27	7.56	2.03	7.92	2.07	8.28	2.11	8.46	2.12	8.64	2.14	9.01	2.18	9.39	2.22	
					29	7.41	2.08	7.77	2.12	8.13	2.16	8.31	2.18	8.49	2.19	8.86	2.23	9.24	2.27	
					31	7.26	2.14	7.62	2.17	7.98	2.21	8.16	2.23	8.35	2.25	8.72	2.28	9.09	2.32	
					33	7.11	2.19	7.47	2.22	7.83	2.26	8.01	2.28	8.20	2.30	8.57	2.34	8.95	2.38	
					35	6.97	2.24	7.32	2.28	7.68	2.32	7.88	2.33	8.05	2.35	8.42	2.39	8.80	2.43	
					37	6.82	2.29	7.17	2.33	7.54	2.37	7.72	2.39	7.90	2.41	8.28	2.45	8.65	2.48	
					39	6.67	2.35	7.03	2.39	7.39	2.43	7.57	2.44	7.76	2.46	8.13	2.50	8.51	2.54	
					42	6.45	2.43	6.80	2.47	7.17	2.51	7.35	2.53	7.54	2.55	7.91	2.59	8.29	2.63	
44	6.30	2.49	6.66	2.53	7.02	2.57	7.21	2.59	7.39	2.61	7.77	2.65	8.15	2.68						
46	6.15	2.55	6.51	2.59	6.88	2.63	7.06	2.65	7.25	2.66	7.62	2.70	8.00	2.74						

12. Capacity Table

Combination (Capacity Index)				Combination (Total)	Combination (%)	Outdoor Temperature (°C,DB)	Indoor Temperature(°C, WB)													
							14		16		18		19		20		22		24	
							TC(kW)	PI(kW)	TC(kW)	PI(kW)	TC(kW)	PI(kW)	TC(kW)	PI(kW)	TC(kW)	PI(kW)	TC(kW)	PI(kW)	TC(kW)	PI(kW)
2000	5000	5000	12000	150%	10	8.86	1.63	9.35	1.70	9.71	1.73	9.89	1.75	10.07	1.77	10.44	1.80	10.81	1.84	
					12	8.71	1.68	9.19	1.74	9.55	1.78	9.73	1.80	9.92	1.81	10.29	1.85	10.66	1.89	
					14	8.55	1.72	9.04	1.79	9.40	1.82	9.58	1.84	9.76	1.86	10.13	1.90	10.51	1.93	
					16	8.40	1.77	8.88	1.84	9.24	1.87	9.43	1.89	9.61	1.91	9.98	1.94	10.36	1.98	
					18	8.25	1.81	8.73	1.88	9.09	1.92	9.27	1.94	9.46	1.96	9.83	1.99	10.21	2.03	
					20	8.09	1.86	8.57	1.93	8.94	1.97	9.12	1.99	9.30	2.00	9.68	2.04	10.05	2.08	
					21	8.02	1.89	8.50	1.95	8.86	1.99	9.04	2.01	9.23	2.03	9.60	2.07	9.98	2.10	
					23	7.87	1.93	8.34	2.00	8.71	2.04	8.89	2.06	9.08	2.08	9.45	2.12	9.83	2.15	
					25	7.72	1.98	8.19	2.05	8.56	2.09	8.74	2.11	8.92	2.13	9.30	2.17	9.68	2.20	
					27	7.56	2.03	8.04	2.11	8.40	2.14	8.59	2.16	8.77	2.18	9.15	2.22	9.53	2.26	
					29	7.41	2.08	7.89	2.16	8.25	2.19	8.44	2.21	8.62	2.23	9.00	2.27	9.38	2.31	
					31	7.26	2.14	7.74	2.21	8.10	2.25	8.29	2.27	8.47	2.29	8.85	2.32	9.23	2.36	
					33	7.11	2.19	7.58	2.26	7.95	2.30	8.14	2.32	8.32	2.34	8.70	2.38	9.08	2.42	
					35	6.97	2.24	7.43	2.32	7.80	2.36	8.00	2.37	8.17	2.39	8.55	2.43	8.93	2.47	
					37	6.82	2.29	7.28	2.37	7.65	2.41	7.84	2.43	8.02	2.45	8.40	2.49	8.79	2.53	
					39	6.67	2.35	7.13	2.43	7.50	2.47	7.69	2.49	7.87	2.51	8.25	2.55	8.64	2.58	
42	6.45	2.43	6.91	2.51	7.28	2.55	7.46	2.57	7.65	2.59	8.03	2.63	8.42	2.67						
44	6.30	2.49	6.76	2.57	7.13	2.61	7.32	2.63	7.50	2.65	7.88	2.69	8.27	2.73						
46	6.15	2.55	6.61	2.63	6.98	2.67	7.17	2.69	7.36	2.71	7.74	2.75	8.12	2.79						
2500	2500	2500	7500	94%	10	8.10	1.53	8.41	1.56	8.74	1.59	8.90	1.61	9.06	1.63	9.40	1.66	9.73	1.69	
					12	7.96	1.57	8.27	1.60	8.60	1.64	8.76	1.65	8.93	1.67	9.26	1.70	9.60	1.73	
					14	7.81	1.61	8.13	1.65	8.46	1.68	8.62	1.69	8.79	1.71	9.12	1.74	9.46	1.78	
					16	7.68	1.65	7.99	1.69	8.32	1.72	8.48	1.74	8.65	1.75	8.98	1.79	9.32	1.82	
					18	7.54	1.70	7.86	1.73	8.18	1.76	8.35	1.78	8.51	1.80	8.85	1.83	9.19	1.87	
					20	7.40	1.74	7.72	1.78	8.04	1.81	8.21	1.83	8.37	1.84	8.71	1.88	9.05	1.91	
					21	7.33	1.76	7.65	1.80	7.97	1.83	8.14	1.85	8.31	1.87	8.64	1.90	8.98	1.93	
					23	7.19	1.81	7.51	1.84	7.84	1.88	8.00	1.89	8.17	1.91	8.50	1.95	8.85	1.98	
					25	7.05	1.86	7.37	1.89	7.70	1.92	7.87	1.94	8.03	1.96	8.37	1.99	8.71	2.03	
					27	6.91	1.90	7.24	1.94	7.56	1.97	7.73	1.99	7.90	2.01	8.23	2.04	8.58	2.07	
					29	6.77	1.95	7.10	1.98	7.43	2.02	7.59	2.04	7.76	2.05	8.10	2.09	8.44	2.12	
					31	6.64	2.00	6.96	2.03	7.29	2.07	7.46	2.08	7.62	2.10	7.96	2.14	8.31	2.17	
					33	6.50	2.05	6.83	2.08	7.16	2.12	7.32	2.13	7.49	2.15	7.83	2.19	8.17	2.22	
					35	6.36	2.10	6.69	2.13	7.02	2.17	7.20	2.18	7.36	2.20	7.70	2.24	8.04	2.27	
					37	6.23	2.15	6.55	2.18	6.89	2.22	7.05	2.24	7.22	2.25	7.56	2.29	7.91	2.32	
					39	6.09	2.20	6.42	2.23	6.75	2.27	6.92	2.29	7.09	2.31	7.43	2.34	7.77	2.38	
42	5.89	2.28	6.22	2.31	6.55	2.35	6.72	2.37	6.89	2.38	7.23	2.42	7.58	2.46						
44	5.75	2.33	6.08	2.37	6.42	2.40	6.58	2.42	6.75	2.44	7.10	2.47	7.44	2.51						
46	5.62	2.38	5.95	2.42	6.28	2.46	6.45	2.47	6.62	2.49	6.96	2.53	7.31	2.57						

12. Capacity Table

Combination (Capacity Index)				Combination (Total)	Combination (%)	Outdoor Temperature (°C,DB)	Indoor Temperature(°C, WB)													
							14		16		18		19		20		22		24	
							TC(kW)	PI(kW)	TC(kW)	PI(kW)	TC(kW)	PI(kW)	TC(kW)	PI(kW)	TC(kW)	PI(kW)	TC(kW)	PI(kW)	TC(kW)	PI(kW)
2500	2500	3500	8500	106%	10	8.34	1.55	8.67	1.58	9.00	1.62	9.17	1.63	9.34	1.65	9.68	1.68	10.03	1.72	
					12	8.20	1.59	8.53	1.63	8.86	1.66	9.03	1.68	9.20	1.69	9.54	1.73	9.89	1.76	
					14	8.05	1.63	8.38	1.67	8.72	1.70	8.89	1.72	9.06	1.73	9.40	1.77	9.75	1.80	
					16	7.91	1.68	8.24	1.71	8.57	1.74	8.74	1.76	8.91	1.78	9.26	1.81	9.61	1.85	
					18	7.77	1.72	8.10	1.76	8.43	1.79	8.60	1.81	8.77	1.82	9.12	1.86	9.47	1.89	
					20	7.62	1.77	7.95	1.80	8.29	1.83	8.46	1.85	8.63	1.87	8.98	1.90	9.33	1.94	
					21	7.55	1.79	7.88	1.82	8.22	1.86	8.39	1.87	8.56	1.89	8.91	1.93	9.26	1.96	
					23	7.41	1.83	7.74	1.87	8.08	1.90	8.25	1.92	8.42	1.94	8.76	1.97	9.12	2.01	
					25	7.27	1.88	7.60	1.92	7.94	1.95	8.11	1.97	8.28	1.99	8.62	2.02	8.98	2.05	
					27	7.12	1.93	7.46	1.96	7.79	2.00	7.97	2.02	8.14	2.03	8.49	2.07	8.84	2.10	
					29	6.98	1.98	7.32	2.01	7.65	2.05	7.82	2.06	8.00	2.08	8.35	2.12	8.70	2.15	
					31	6.84	2.03	7.17	2.06	7.51	2.10	7.69	2.11	7.86	2.13	8.21	2.17	8.56	2.20	
					33	6.70	2.07	7.03	2.11	7.37	2.15	7.55	2.16	7.72	2.18	8.07	2.22	8.42	2.25	
					35	6.56	2.13	6.89	2.16	7.23	2.20	7.42	2.21	7.58	2.23	7.93	2.27	8.29	2.30	
					37	6.42	2.18	6.75	2.21	7.10	2.25	7.27	2.27	7.44	2.28	7.79	2.32	8.15	2.36	
					39	6.28	2.23	6.61	2.26	6.96	2.30	7.13	2.32	7.30	2.34	7.66	2.37	8.01	2.41	
					42	6.07	2.31	6.41	2.34	6.75	2.38	6.92	2.40	7.10	2.42	7.45	2.45	7.81	2.49	
44	5.93	2.36	6.27	2.40	6.61	2.44	6.79	2.45	6.96	2.47	7.31	2.51	7.67	2.55						
46	5.79	2.42	6.13	2.45	6.47	2.49	6.65	2.51	6.82	2.53	7.18	2.56	7.54	2.60						
2500	2500	5000	10000	125%	10	8.74	1.60	9.08	1.63	9.43	1.67	9.60	1.68	9.78	1.70	10.14	1.74	10.50	1.77	
					12	8.58	1.64	8.93	1.68	9.28	1.71	9.45	1.73	9.63	1.75	9.99	1.78	10.36	1.81	
					14	8.43	1.69	8.78	1.72	9.13	1.76	9.30	1.77	9.48	1.79	9.84	1.82	10.21	1.86	
					16	8.28	1.73	8.63	1.77	8.98	1.80	9.16	1.82	9.33	1.84	9.69	1.87	10.06	1.90	
					18	8.13	1.78	8.48	1.81	8.83	1.85	9.01	1.86	9.18	1.88	9.55	1.92	9.91	1.95	
					20	7.98	1.82	8.33	1.86	8.68	1.89	8.86	1.91	9.04	1.93	9.40	1.96	9.77	2.00	
					21	7.91	1.85	8.25	1.88	8.61	1.92	8.78	1.93	8.96	1.95	9.33	1.99	9.69	2.02	
					23	7.76	1.89	8.10	1.93	8.46	1.96	8.64	1.98	8.82	2.00	9.18	2.03	9.55	2.07	
					25	7.61	1.94	7.96	1.98	8.31	2.01	8.49	2.03	8.67	2.05	9.03	2.08	9.40	2.12	
					27	7.46	1.99	7.81	2.03	8.16	2.06	8.34	2.08	8.52	2.10	8.89	2.13	9.25	2.17	
					29	7.31	2.04	7.66	2.08	8.01	2.11	8.19	2.13	8.37	2.15	8.74	2.18	9.11	2.22	
					31	7.16	2.09	7.51	2.13	7.87	2.16	8.05	2.18	8.23	2.20	8.59	2.24	8.96	2.27	
					33	7.02	2.14	7.37	2.18	7.72	2.21	7.90	2.23	8.08	2.25	8.45	2.29	8.82	2.32	
					35	6.87	2.19	7.22	2.23	7.58	2.27	7.77	2.28	7.94	2.30	8.30	2.34	8.68	2.38	
					37	6.72	2.25	7.07	2.28	7.43	2.32	7.61	2.34	7.79	2.36	8.16	2.39	8.53	2.43	
					39	6.57	2.30	6.93	2.34	7.28	2.37	7.47	2.39	7.65	2.41	8.02	2.45	8.39	2.49	
					42	6.36	2.38	6.71	2.42	7.07	2.46	7.25	2.48	7.43	2.49	7.80	2.53	8.18	2.57	
44	6.21	2.44	6.56	2.47	6.92	2.51	7.11	2.53	7.29	2.55	7.66	2.59	8.03	2.63						
46	6.06	2.49	6.42	2.53	6.78	2.57	6.96	2.59	7.14	2.61	7.52	2.65	7.89	2.68						

12. Capacity Table

Combination (Capacity Index)				Combination (Total)	Combination (%)	Outdoor Temperature (°C,DB)	Indoor Temperature(°C, WB)													
							14		16		18		19		20		22		24	
							TC(kW)	PI(kW)	TC(kW)	PI(kW)	TC(kW)	PI(kW)	TC(kW)	PI(kW)	TC(kW)	PI(kW)	TC(kW)	PI(kW)	TC(kW)	PI(kW)
2500	2500	6800		11800	148%	10	8.74	1.60	9.35	1.70	9.71	1.73	9.89	1.75	10.07	1.77	10.44	1.80	10.81	1.84
						12	8.58	1.64	9.19	1.74	9.55	1.78	9.73	1.80	9.92	1.81	10.29	1.85	10.66	1.89
						14	8.43	1.69	9.04	1.79	9.40	1.82	9.58	1.84	9.76	1.86	10.13	1.90	10.51	1.93
						16	8.28	1.73	8.88	1.84	9.24	1.87	9.43	1.89	9.61	1.91	9.98	1.94	10.36	1.98
						18	8.13	1.78	8.73	1.88	9.09	1.92	9.27	1.94	9.46	1.96	9.83	1.99	10.21	2.03
						20	7.98	1.82	8.57	1.93	8.94	1.97	9.12	1.99	9.30	2.00	9.68	2.04	10.05	2.08
						21	7.91	1.85	8.50	1.95	8.86	1.99	9.04	2.01	9.23	2.03	9.60	2.07	9.98	2.10
						23	7.76	1.89	8.34	2.00	8.71	2.04	8.89	2.06	9.08	2.08	9.45	2.12	9.83	2.15
						25	7.61	1.94	8.19	2.05	8.56	2.09	8.74	2.11	8.92	2.13	9.30	2.17	9.68	2.20
						27	7.46	1.99	8.04	2.11	8.40	2.14	8.59	2.16	8.77	2.18	9.15	2.22	9.53	2.26
						29	7.31	2.04	7.89	2.16	8.25	2.19	8.44	2.21	8.62	2.23	9.00	2.27	9.38	2.31
						31	7.16	2.09	7.74	2.21	8.10	2.25	8.29	2.27	8.47	2.29	8.85	2.32	9.23	2.36
						33	7.02	2.14	7.58	2.26	7.95	2.30	8.14	2.32	8.32	2.34	8.70	2.38	9.08	2.42
						35	6.87	2.19	7.43	2.32	7.80	2.36	8.00	2.37	8.17	2.39	8.55	2.43	8.93	2.47
						37	6.72	2.25	7.28	2.37	7.65	2.41	7.84	2.43	8.02	2.45	8.40	2.49	8.79	2.53
						39	6.57	2.30	7.13	2.43	7.50	2.47	7.69	2.49	7.87	2.51	8.25	2.55	8.64	2.58
42	6.36	2.38	6.91	2.51	7.28	2.55	7.46	2.57	7.65	2.59	8.03	2.63	8.42	2.67						
44	6.21	2.44	6.76	2.57	7.13	2.61	7.32	2.63	7.50	2.65	7.88	2.69	8.27	2.73						
46	6.06	2.49	6.61	2.63	6.98	2.67	7.17	2.69	7.36	2.71	7.74	2.75	8.12	2.79						
2500	3500	3500		9500	119%	10	8.60	1.58	8.94	1.61	9.28	1.65	9.46	1.66	9.63	1.68	9.98	1.71	10.34	1.75
						12	8.45	1.62	8.79	1.65	9.13	1.69	9.31	1.71	9.48	1.72	9.84	1.76	10.20	1.79
						14	8.30	1.66	8.64	1.70	8.99	1.73	9.16	1.75	9.34	1.77	9.69	1.80	10.05	1.83
						16	8.15	1.71	8.49	1.74	8.84	1.78	9.01	1.79	9.19	1.81	9.54	1.85	9.90	1.88
						18	8.01	1.75	8.35	1.79	8.69	1.82	8.87	1.84	9.04	1.86	9.40	1.89	9.76	1.93
						20	7.86	1.80	8.20	1.83	8.55	1.87	8.72	1.88	8.90	1.90	9.25	1.94	9.61	1.97
						21	7.78	1.82	8.13	1.86	8.47	1.89	8.65	1.91	8.82	1.93	9.18	1.96	9.54	2.00
						23	7.64	1.87	7.98	1.90	8.33	1.94	8.50	1.96	8.68	1.97	9.04	2.01	9.40	2.04
						25	7.49	1.91	7.83	1.95	8.18	1.99	8.36	2.00	8.53	2.02	8.89	2.06	9.26	2.09
						27	7.34	1.96	7.69	2.00	8.04	2.03	8.21	2.05	8.39	2.07	8.75	2.11	9.11	2.14
						29	7.20	2.01	7.54	2.05	7.89	2.08	8.07	2.10	8.25	2.12	8.60	2.16	8.97	2.19
						31	7.05	2.06	7.40	2.10	7.75	2.13	7.92	2.15	8.10	2.17	8.46	2.21	8.83	2.24
						33	6.91	2.11	7.25	2.15	7.60	2.18	7.78	2.20	7.96	2.22	8.32	2.26	8.68	2.29
						35	6.76	2.16	7.11	2.20	7.46	2.24	7.65	2.25	7.81	2.27	8.18	2.31	8.54	2.35
						37	6.62	2.22	6.96	2.25	7.32	2.29	7.49	2.31	7.67	2.33	8.03	2.36	8.40	2.40
						39	6.47	2.27	6.82	2.31	7.17	2.34	7.35	2.36	7.53	2.38	7.89	2.42	8.26	2.45
42	6.26	2.35	6.61	2.39	6.96	2.42	7.14	2.44	7.32	2.46	7.68	2.50	8.05	2.54						
44	6.11	2.40	6.46	2.44	6.82	2.48	7.00	2.50	7.18	2.52	7.54	2.55	7.91	2.59						
46	5.97	2.46	6.32	2.50	6.67	2.54	6.85	2.55	7.03	2.57	7.40	2.61	7.77	2.65						

12. Capacity Table

Combination (Capacity Index)				Combination (Total)	Combination (%)	Outdoor Temperature (°C, DB)	Indoor Temperature(°C, WB)													
							14		16		18		19		20		22		24	
							TC(kW)	PI(kW)	TC(kW)	PI(kW)	TC(kW)	PI(kW)	TC(kW)	PI(kW)	TC(kW)	PI(kW)	TC(kW)	PI(kW)	TC(kW)	PI(kW)
2500	3500	5000	11000	138%	10	9.00	1.63	9.35	1.67	9.71	1.70	9.89	1.72	10.07	1.74	10.44	1.77	10.81	1.81	
					12	8.84	1.68	9.19	1.71	9.55	1.75	9.73	1.77	9.92	1.78	10.29	1.82	10.66	1.85	
					14	8.68	1.72	9.04	1.76	9.40	1.79	9.58	1.81	9.76	1.83	10.13	1.86	10.51	1.90	
					16	8.53	1.77	8.88	1.80	9.24	1.84	9.43	1.86	9.61	1.88	9.98	1.91	10.36	1.95	
					18	8.37	1.81	8.73	1.85	9.09	1.89	9.27	1.90	9.46	1.92	9.83	1.96	10.21	1.99	
					20	8.22	1.86	8.57	1.90	8.94	1.93	9.12	1.95	9.30	1.97	9.68	2.01	10.05	2.04	
					21	8.14	1.89	8.50	1.92	8.86	1.96	9.04	1.98	9.23	1.99	9.60	2.03	9.98	2.07	
					23	7.99	1.93	8.34	1.97	8.71	2.01	8.89	2.02	9.08	2.04	9.45	2.08	9.83	2.12	
					25	7.83	1.98	8.19	2.02	8.56	2.06	8.74	2.07	8.92	2.09	9.30	2.13	9.68	2.17	
					27	7.68	2.03	8.04	2.07	8.40	2.11	8.59	2.12	8.77	2.14	9.15	2.18	9.53	2.22	
					29	7.53	2.08	7.89	2.12	8.25	2.16	8.44	2.18	8.62	2.19	9.00	2.23	9.38	2.27	
					31	7.37	2.14	7.74	2.17	8.10	2.21	8.29	2.23	8.47	2.25	8.85	2.28	9.23	2.32	
					33	7.22	2.19	7.58	2.22	7.95	2.26	8.14	2.28	8.32	2.30	8.70	2.34	9.08	2.38	
					35	7.07	2.24	7.43	2.28	7.80	2.32	8.00	2.33	8.17	2.35	8.55	2.39	8.93	2.43	
					37	6.92	2.29	7.28	2.33	7.65	2.37	7.84	2.39	8.02	2.41	8.40	2.45	8.79	2.48	
					39	6.77	2.35	7.13	2.39	7.50	2.43	7.69	2.44	7.87	2.46	8.25	2.50	8.64	2.54	
42	6.54	2.43	6.91	2.47	7.28	2.51	7.46	2.53	7.65	2.55	8.03	2.59	8.42	2.63						
44	6.39	2.49	6.76	2.53	7.13	2.57	7.32	2.59	7.50	2.61	7.88	2.65	8.27	2.68						
46	6.24	2.55	6.61	2.59	6.98	2.63	7.17	2.65	7.36	2.66	7.74	2.70	8.12	2.74						
3500	3500	3500	10500	131%	10	8.87	1.63	9.22	1.67	9.57	1.70	9.75	1.72	9.93	1.74	10.30	1.77	10.67	1.81	
					12	8.72	1.68	9.07	1.71	9.42	1.75	9.60	1.77	9.78	1.78	10.15	1.82	10.52	1.85	
					14	8.56	1.72	8.91	1.76	9.27	1.79	9.45	1.81	9.63	1.83	9.99	1.86	10.37	1.90	
					16	8.41	1.77	8.76	1.80	9.12	1.84	9.30	1.86	9.48	1.88	9.84	1.91	10.22	1.95	
					18	8.26	1.81	8.61	1.85	8.97	1.89	9.15	1.90	9.33	1.92	9.69	1.96	10.07	1.99	
					20	8.11	1.86	8.46	1.90	8.81	1.93	8.99	1.95	9.18	1.97	9.54	2.01	9.92	2.04	
					21	8.03	1.89	8.38	1.92	8.74	1.96	8.92	1.98	9.10	1.99	9.47	2.03	9.84	2.07	
					23	7.88	1.93	8.23	1.97	8.59	2.01	8.77	2.02	8.95	2.04	9.32	2.08	9.69	2.12	
					25	7.73	1.98	8.08	2.02	8.44	2.06	8.62	2.07	8.80	2.09	9.17	2.13	9.55	2.17	
					27	7.57	2.03	7.93	2.07	8.29	2.11	8.47	2.12	8.65	2.14	9.02	2.18	9.40	2.22	
					29	7.42	2.08	7.78	2.12	8.14	2.16	8.32	2.18	8.50	2.19	8.87	2.23	9.25	2.27	
					31	7.27	2.14	7.63	2.17	7.99	2.21	8.17	2.23	8.36	2.25	8.73	2.28	9.10	2.32	
					33	7.12	2.19	7.48	2.22	7.84	2.26	8.02	2.28	8.21	2.30	8.58	2.34	8.96	2.38	
					35	6.97	2.24	7.33	2.28	7.69	2.32	7.89	2.33	8.06	2.35	8.43	2.39	8.81	2.43	
					37	6.82	2.29	7.18	2.33	7.54	2.37	7.73	2.39	7.91	2.41	8.29	2.45	8.66	2.48	
					39	6.68	2.35	7.03	2.39	7.40	2.43	7.58	2.44	7.77	2.46	8.14	2.50	8.52	2.54	
42	6.45	2.43	6.81	2.47	7.18	2.51	7.36	2.53	7.55	2.55	7.92	2.59	8.30	2.63						
44	6.31	2.49	6.67	2.53	7.03	2.57	7.21	2.59	7.40	2.61	7.78	2.65	8.16	2.68						
46	6.16	2.55	6.52	2.59	6.88	2.63	7.07	2.65	7.26	2.66	7.63	2.70	8.01	2.74						

12. Capacity Table

Combination (Capacity Index)				Combination (Total)	Combination (%)	Outdoor Temperature (°C,DB)	Indoor Temperature(°C, WB)													
							14		16		18		19		20		22		24	
							TC(kW)	PI(kW)	TC(kW)	PI(kW)	TC(kW)	PI(kW)	TC(kW)	PI(kW)	TC(kW)	PI(kW)	TC(kW)	PI(kW)	TC(kW)	PI(kW)
3500	3500	5000		12000	150%	10	9.00	1.66	9.35	1.70	9.71	1.73	9.89	1.75	10.07	1.77	10.44	1.80	10.81	1.84
						12	8.84	1.71	9.19	1.74	9.55	1.78	9.73	1.80	9.92	1.81	10.29	1.85	10.66	1.89
						14	8.68	1.75	9.04	1.79	9.40	1.82	9.58	1.84	9.76	1.86	10.13	1.90	10.51	1.93
						16	8.53	1.80	8.88	1.84	9.24	1.87	9.43	1.89	9.61	1.91	9.98	1.94	10.36	1.98
						18	8.37	1.85	8.73	1.88	9.09	1.92	9.27	1.94	9.46	1.96	9.83	1.99	10.21	2.03
						20	8.22	1.89	8.57	1.93	8.94	1.97	9.12	1.99	9.30	2.00	9.68	2.04	10.05	2.08
						21	8.14	1.92	8.50	1.95	8.86	1.99	9.04	2.01	9.23	2.03	9.60	2.07	9.98	2.10
						23	7.99	1.97	8.34	2.00	8.71	2.04	8.89	2.06	9.08	2.08	9.45	2.12	9.83	2.15
						25	7.83	2.02	8.19	2.05	8.56	2.09	8.74	2.11	8.92	2.13	9.30	2.17	9.68	2.20
						27	7.68	2.07	8.04	2.11	8.40	2.14	8.59	2.16	8.77	2.18	9.15	2.22	9.53	2.26
						29	7.53	2.12	7.89	2.16	8.25	2.19	8.44	2.21	8.62	2.23	9.00	2.27	9.38	2.31
						31	7.37	2.17	7.74	2.21	8.10	2.25	8.29	2.27	8.47	2.29	8.85	2.32	9.23	2.36
						33	7.22	2.22	7.58	2.26	7.95	2.30	8.14	2.32	8.32	2.34	8.70	2.38	9.08	2.42
						35	7.07	2.28	7.43	2.32	7.80	2.36	8.00	2.37	8.17	2.39	8.55	2.43	8.93	2.47
						37	6.92	2.33	7.28	2.37	7.65	2.41	7.84	2.43	8.02	2.45	8.40	2.49	8.79	2.53
						39	6.77	2.39	7.13	2.43	7.50	2.47	7.69	2.49	7.87	2.51	8.25	2.55	8.64	2.58
42	6.54	2.47	6.91	2.51	7.28	2.55	7.46	2.57	7.65	2.59	8.03	2.63	8.42	2.67						
44	6.39	2.53	6.76	2.57	7.13	2.61	7.32	2.63	7.50	2.65	7.88	2.69	8.27	2.73						
46	6.24	2.59	6.61	2.63	6.98	2.67	7.17	2.69	7.36	2.71	7.74	2.75	8.12	2.79						
2000	2000	2000	2000	8000	100%	10	8.23	1.55	8.55	1.58	8.88	1.62	9.05	1.63	9.21	1.65	9.55	1.68	9.90	1.72
						12	8.09	1.59	8.41	1.63	8.74	1.66	8.91	1.68	9.07	1.69	9.41	1.73	9.76	1.76
						14	7.95	1.63	8.27	1.67	8.60	1.70	8.77	1.72	8.93	1.73	9.27	1.77	9.62	1.80
						16	7.80	1.68	8.13	1.71	8.46	1.74	8.62	1.76	8.79	1.78	9.13	1.81	9.48	1.85
						18	7.66	1.72	7.99	1.76	8.32	1.79	8.48	1.81	8.65	1.82	8.99	1.86	9.34	1.89
						20	7.52	1.77	7.85	1.80	8.18	1.83	8.34	1.85	8.51	1.87	8.85	1.90	9.20	1.94
						21	7.45	1.79	7.78	1.82	8.11	1.86	8.27	1.87	8.44	1.89	8.79	1.93	9.13	1.96
						23	7.31	1.83	7.64	1.87	7.97	1.90	8.14	1.92	8.30	1.94	8.65	1.97	8.99	2.01
						25	7.17	1.88	7.50	1.92	7.83	1.95	8.00	1.97	8.17	1.99	8.51	2.02	8.86	2.05
						27	7.03	1.93	7.36	1.96	7.69	2.00	7.86	2.02	8.03	2.03	8.37	2.07	8.72	2.10
						29	6.89	1.98	7.22	2.01	7.55	2.05	7.72	2.06	7.89	2.08	8.23	2.12	8.58	2.15
						31	6.75	2.03	7.08	2.06	7.41	2.10	7.58	2.11	7.75	2.13	8.10	2.17	8.45	2.20
						33	6.61	2.07	6.94	2.11	7.27	2.15	7.44	2.16	7.61	2.18	7.96	2.22	8.31	2.25
						35	6.47	2.13	6.80	2.16	7.14	2.20	7.32	2.21	7.48	2.23	7.82	2.27	8.17	2.30
						37	6.33	2.18	6.66	2.21	7.00	2.25	7.17	2.27	7.34	2.28	7.69	2.32	8.04	2.36
						39	6.19	2.23	6.53	2.26	6.86	2.30	7.03	2.32	7.21	2.34	7.55	2.37	7.90	2.41
42	5.99	2.31	6.32	2.34	6.66	2.38	6.83	2.40	7.00	2.42	7.35	2.45	7.70	2.49						
44	5.85	2.36	6.18	2.40	6.52	2.44	6.69	2.45	6.87	2.47	7.21	2.51	7.57	2.55						
46	5.71	2.42	6.05	2.45	6.39	2.49	6.56	2.51	6.73	2.53	7.08	2.56	7.43	2.60						

12. Capacity Table

Combination (Capacity Index)				Combination (Total)	Combination (%)	Outdoor Temperature (°C,DB)	Indoor Temperature(°C, WB)													
							14		16		18		19		20		22		24	
							TC(kW)	PI(kW)	TC(kW)	PI(kW)	TC(kW)	PI(kW)	TC(kW)	PI(kW)	TC(kW)	PI(kW)	TC(kW)	PI(kW)	TC(kW)	PI(kW)
2000	2000	2000	2500	8500	106%	10	8.37	1.55	8.69	1.58	9.03	1.62	9.20	1.63	9.37	1.65	9.71	1.68	10.06	1.72
						12	8.22	1.59	8.55	1.63	8.88	1.66	9.05	1.68	9.22	1.69	9.57	1.73	9.92	1.76
						14	8.08	1.63	8.41	1.67	8.74	1.70	8.91	1.72	9.08	1.73	9.42	1.77	9.77	1.80
						16	7.93	1.68	8.26	1.71	8.60	1.74	8.77	1.76	8.94	1.78	9.28	1.81	9.63	1.85
						18	7.79	1.72	8.12	1.76	8.45	1.79	8.62	1.81	8.79	1.82	9.14	1.86	9.49	1.89
						20	7.64	1.77	7.97	1.80	8.31	1.83	8.48	1.85	8.65	1.87	9.00	1.90	9.35	1.94
						21	7.57	1.79	7.90	1.82	8.24	1.86	8.41	1.87	8.58	1.89	8.93	1.93	9.28	1.96
						23	7.43	1.83	7.76	1.87	8.10	1.90	8.27	1.92	8.44	1.94	8.79	1.97	9.14	2.01
						25	7.29	1.88	7.62	1.92	7.96	1.95	8.13	1.97	8.30	1.99	8.65	2.02	9.00	2.05
						27	7.14	1.93	7.48	1.96	7.82	2.00	7.99	2.02	8.16	2.03	8.51	2.07	8.86	2.10
						29	7.00	1.98	7.33	2.01	7.67	2.05	7.85	2.06	8.02	2.08	8.37	2.12	8.72	2.15
						31	6.86	2.03	7.19	2.06	7.53	2.10	7.71	2.11	7.88	2.13	8.23	2.17	8.58	2.20
						33	6.72	2.07	7.05	2.11	7.39	2.15	7.57	2.16	7.74	2.18	8.09	2.22	8.45	2.25
						35	6.58	2.13	6.91	2.16	7.25	2.20	7.44	2.21	7.60	2.23	7.95	2.27	8.31	2.30
						37	6.44	2.18	6.77	2.21	7.11	2.25	7.29	2.27	7.46	2.28	7.81	2.32	8.17	2.36
						39	6.30	2.23	6.63	2.26	6.98	2.30	7.15	2.32	7.32	2.34	7.68	2.37	8.03	2.41
42	6.09	2.31	6.42	2.34	6.77	2.38	6.94	2.40	7.12	2.42	7.47	2.45	7.83	2.49						
44	5.95	2.36	6.29	2.40	6.63	2.44	6.80	2.45	6.98	2.47	7.33	2.51	7.69	2.55						
46	5.81	2.42	6.15	2.45	6.49	2.49	6.67	2.51	6.84	2.53	7.20	2.56	7.56	2.60						
2000	2000	2000	3500	9500	119%	10	8.60	1.58	8.94	1.61	9.28	1.65	9.46	1.66	9.63	1.68	9.98	1.71	10.34	1.75
						12	8.45	1.62	8.79	1.65	9.13	1.69	9.31	1.71	9.48	1.72	9.84	1.76	10.20	1.79
						14	8.30	1.66	8.64	1.70	8.99	1.73	9.16	1.75	9.34	1.77	9.69	1.80	10.05	1.83
						16	8.15	1.71	8.49	1.74	8.84	1.78	9.01	1.79	9.19	1.81	9.54	1.85	9.90	1.88
						18	8.01	1.75	8.35	1.79	8.69	1.82	8.87	1.84	9.04	1.86	9.40	1.89	9.76	1.93
						20	7.86	1.80	8.20	1.83	8.55	1.87	8.72	1.88	8.90	1.90	9.25	1.94	9.61	1.97
						21	7.78	1.82	8.13	1.86	8.47	1.89	8.65	1.91	8.82	1.93	9.18	1.96	9.54	2.00
						23	7.64	1.87	7.98	1.90	8.33	1.94	8.50	1.96	8.68	1.97	9.04	2.01	9.40	2.04
						25	7.49	1.91	7.83	1.95	8.18	1.99	8.36	2.00	8.53	2.02	8.89	2.06	9.26	2.09
						27	7.34	1.96	7.69	2.00	8.04	2.03	8.21	2.05	8.39	2.07	8.75	2.11	9.11	2.14
						29	7.20	2.01	7.54	2.05	7.89	2.08	8.07	2.10	8.25	2.12	8.60	2.16	8.97	2.19
						31	7.05	2.06	7.40	2.10	7.75	2.13	7.92	2.15	8.10	2.17	8.46	2.21	8.83	2.24
						33	6.91	2.11	7.25	2.15	7.60	2.18	7.78	2.20	7.96	2.22	8.32	2.26	8.68	2.29
						35	6.76	2.16	7.11	2.20	7.46	2.24	7.65	2.25	7.81	2.27	8.18	2.31	8.54	2.35
						37	6.62	2.22	6.96	2.25	7.32	2.29	7.49	2.31	7.67	2.33	8.03	2.36	8.40	2.40
						39	6.47	2.27	6.82	2.31	7.17	2.34	7.35	2.36	7.53	2.38	7.89	2.42	8.26	2.45
42	6.26	2.35	6.61	2.39	6.96	2.42	7.14	2.44	7.32	2.46	7.68	2.50	8.05	2.54						
44	6.11	2.40	6.46	2.44	6.82	2.48	7.00	2.50	7.18	2.52	7.54	2.55	7.91	2.59						
46	5.97	2.46	6.32	2.50	6.67	2.54	6.85	2.55	7.03	2.57	7.40	2.61	7.77	2.65						

12. Capacity Table

Combination (Capacity Index)				Combination (Total)	Combination (%)	Outdoor Temperature (°C,DB)	Indoor Temperature(°C, WB)													
							14		16		18		19		20		22		24	
							TC(kW)	PI(kW)	TC(kW)	PI(kW)	TC(kW)	PI(kW)	TC(kW)	PI(kW)	TC(kW)	PI(kW)	TC(kW)	PI(kW)	TC(kW)	PI(kW)
2000	2000	2000	5000	11000	138%	10	9.00	1.61	9.35	1.65	9.71	1.68	9.89	1.70	10.07	1.72	10.44	1.75	10.81	1.79
						12	8.84	1.66	9.19	1.69	9.55	1.73	9.73	1.74	9.92	1.76	10.29	1.80	10.66	1.83
						14	8.68	1.70	9.04	1.74	9.40	1.77	9.58	1.79	9.76	1.81	10.13	1.84	10.51	1.88
						16	8.53	1.75	8.88	1.78	9.24	1.82	9.43	1.83	9.61	1.85	9.98	1.89	10.36	1.92
						18	8.37	1.79	8.73	1.83	9.09	1.86	9.27	1.88	9.46	1.90	9.83	1.93	10.21	1.97
						20	8.22	1.84	8.57	1.87	8.94	1.91	9.12	1.93	9.30	1.94	9.68	1.98	10.05	2.02
						21	8.14	1.86	8.50	1.90	8.86	1.93	9.04	1.95	9.23	1.97	9.60	2.00	9.98	2.04
						23	7.99	1.91	8.34	1.94	8.71	1.98	8.89	2.00	9.08	2.02	9.45	2.05	9.83	2.09
						25	7.83	1.96	8.19	1.99	8.56	2.03	8.74	2.05	8.92	2.07	9.30	2.10	9.68	2.14
						27	7.68	2.01	8.04	2.04	8.40	2.08	8.59	2.10	8.77	2.12	9.15	2.15	9.53	2.19
						29	7.53	2.06	7.89	2.09	8.25	2.13	8.44	2.15	8.62	2.17	9.00	2.20	9.38	2.24
						31	7.37	2.11	7.74	2.14	8.10	2.18	8.29	2.20	8.47	2.22	8.85	2.25	9.23	2.29
						33	7.22	2.16	7.58	2.20	7.95	2.23	8.14	2.25	8.32	2.27	8.70	2.31	9.08	2.34
						35	7.07	2.21	7.43	2.25	7.80	2.29	8.00	2.30	8.17	2.32	8.55	2.36	8.93	2.40
						37	6.92	2.27	7.28	2.30	7.65	2.34	7.84	2.36	8.02	2.38	8.40	2.42	8.79	2.45
						39	6.77	2.32	7.13	2.36	7.50	2.39	7.69	2.41	7.87	2.43	8.25	2.47	8.64	2.51
						42	6.54	2.40	6.91	2.44	7.28	2.48	7.46	2.50	7.65	2.52	8.03	2.55	8.42	2.59
44	6.39	2.46	6.76	2.50	7.13	2.53	7.32	2.55	7.50	2.57	7.88	2.61	8.27	2.65						
46	6.24	2.51	6.61	2.55	6.98	2.59	7.17	2.61	7.36	2.63	7.74	2.67	8.12	2.71						
2000	2000	2500	2500	9000	113%	10	8.48	1.59	8.81	1.62	9.15	1.65	9.32	1.67	9.49	1.69	9.84	1.72	10.19	1.75
						12	8.33	1.63	8.66	1.66	9.00	1.70	9.17	1.71	9.35	1.73	9.70	1.76	10.05	1.80
						14	8.18	1.67	8.52	1.71	8.86	1.74	9.03	1.76	9.20	1.77	9.55	1.81	9.91	1.84
						16	8.04	1.72	8.37	1.75	8.71	1.78	8.88	1.80	9.06	1.82	9.41	1.85	9.76	1.89
						18	7.89	1.76	8.23	1.79	8.57	1.83	8.74	1.85	8.91	1.86	9.26	1.90	9.62	1.93
						20	7.75	1.81	8.08	1.84	8.42	1.88	8.60	1.89	8.77	1.91	9.12	1.95	9.48	1.98
						21	7.67	1.83	8.01	1.86	8.35	1.90	8.52	1.92	8.70	1.93	9.05	1.97	9.41	2.00
						23	7.53	1.88	7.86	1.91	8.21	1.95	8.38	1.96	8.55	1.98	8.91	2.02	9.26	2.05
						25	7.38	1.92	7.72	1.96	8.06	1.99	8.24	2.01	8.41	2.03	8.76	2.07	9.12	2.10
						27	7.24	1.97	7.58	2.01	7.92	2.04	8.09	2.06	8.27	2.08	8.62	2.11	8.98	2.15
						29	7.09	2.02	7.43	2.06	7.78	2.09	7.95	2.11	8.13	2.13	8.48	2.16	8.84	2.20
						31	6.95	2.07	7.29	2.11	7.64	2.14	7.81	2.16	7.98	2.18	8.34	2.22	8.70	2.25
						33	6.81	2.12	7.15	2.16	7.49	2.19	7.67	2.21	7.84	2.23	8.20	2.27	8.56	2.30
						35	6.66	2.17	7.01	2.21	7.35	2.25	7.54	2.26	7.70	2.28	8.06	2.32	8.42	2.36
						37	6.52	2.23	6.86	2.26	7.21	2.30	7.39	2.32	7.56	2.34	7.92	2.37	8.28	2.41
						39	6.38	2.28	6.72	2.32	7.07	2.35	7.24	2.37	7.42	2.39	7.78	2.43	8.14	2.46
						42	6.17	2.36	6.51	2.40	6.86	2.43	7.03	2.45	7.21	2.47	7.57	2.51	7.93	2.55
44	6.03	2.42	6.37	2.45	6.72	2.49	6.89	2.51	7.07	2.53	7.43	2.57	7.80	2.60						
46	5.88	2.47	6.23	2.51	6.58	2.55	6.76	2.57	6.93	2.58	7.29	2.62	7.66	2.66						

12. Capacity Table

Combination (Capacity Index)				Combination (Total)	Combination (%)	Outdoor Temperature (°C, DB)	Indoor Temperature(°C, WB)													
							14		16		18		19		20		22		24	
							TC(kW)	PI(kW)	TC(kW)	PI(kW)	TC(kW)	PI(kW)	TC(kW)	PI(kW)	TC(kW)	PI(kW)	TC(kW)	PI(kW)	TC(kW)	PI(kW)
2000	2000	2500	3500	10000	125%	10	8.73	1.59	9.07	1.63	9.42	1.66	9.59	1.68	9.77	1.69	10.13	1.73	10.49	1.76
						12	8.57	1.64	8.92	1.67	9.27	1.70	9.44	1.72	9.62	1.74	9.98	1.77	10.34	1.81
						14	8.42	1.68	8.77	1.71	9.12	1.75	9.29	1.76	9.47	1.78	9.83	1.82	10.19	1.85
						16	8.27	1.72	8.62	1.76	8.97	1.79	9.14	1.81	9.32	1.83	9.68	1.86	10.05	1.90
						18	8.12	1.77	8.47	1.80	8.82	1.84	8.99	1.86	9.17	1.87	9.53	1.91	9.90	1.94
						20	7.97	1.81	8.32	1.85	8.67	1.88	8.85	1.90	9.03	1.92	9.39	1.95	9.75	1.99
						21	7.90	1.84	8.24	1.87	8.59	1.91	8.77	1.93	8.95	1.94	9.31	1.98	9.68	2.01
						23	7.75	1.88	8.09	1.92	8.45	1.95	8.62	1.97	8.80	1.99	9.17	2.03	9.53	2.06
						25	7.60	1.93	7.95	1.97	8.30	2.00	8.48	2.02	8.66	2.04	9.02	2.07	9.39	2.11
						27	7.45	1.98	7.80	2.02	8.15	2.05	8.33	2.07	8.51	2.09	8.87	2.12	9.24	2.16
						29	7.30	2.03	7.65	2.07	8.00	2.10	8.18	2.12	8.36	2.14	8.73	2.17	9.10	2.21
						31	7.15	2.08	7.50	2.12	7.86	2.15	8.04	2.17	8.22	2.19	8.58	2.23	8.95	2.26
						33	7.01	2.13	7.36	2.17	7.71	2.20	7.89	2.22	8.07	2.24	8.44	2.28	8.81	2.31
						35	6.86	2.18	7.21	2.22	7.57	2.26	7.76	2.27	7.93	2.29	8.29	2.33	8.67	2.37
						37	6.71	2.24	7.06	2.27	7.42	2.31	7.60	2.33	7.78	2.35	8.15	2.38	8.52	2.42
						39	6.57	2.29	6.92	2.33	7.28	2.36	7.46	2.38	7.64	2.40	8.01	2.44	8.38	2.48
						42	6.35	2.37	6.70	2.41	7.06	2.45	7.24	2.46	7.42	2.48	7.79	2.52	8.16	2.56
44	6.20	2.43	6.56	2.46	6.91	2.50	7.10	2.52	7.28	2.54	7.65	2.58	8.02	2.61						
46	6.06	2.48	6.41	2.52	6.77	2.56	6.95	2.58	7.14	2.60	7.51	2.63	7.88	2.67						
2000	2000	2500	5000	11500	144%	10	9.00	1.61	9.35	1.65	9.71	1.68	9.89	1.70	10.07	1.72	10.44	1.75	10.81	1.79
						12	8.84	1.66	9.19	1.69	9.55	1.73	9.73	1.74	9.92	1.76	10.29	1.80	10.66	1.83
						14	8.68	1.70	9.04	1.74	9.40	1.77	9.58	1.79	9.76	1.81	10.13	1.84	10.51	1.88
						16	8.53	1.75	8.88	1.78	9.24	1.82	9.43	1.83	9.61	1.85	9.98	1.89	10.36	1.92
						18	8.37	1.79	8.73	1.83	9.09	1.86	9.27	1.88	9.46	1.90	9.83	1.93	10.21	1.97
						20	8.22	1.84	8.57	1.87	8.94	1.91	9.12	1.93	9.30	1.94	9.68	1.98	10.05	2.02
						21	8.14	1.86	8.50	1.90	8.86	1.93	9.04	1.95	9.23	1.97	9.60	2.00	9.98	2.04
						23	7.99	1.91	8.34	1.94	8.71	1.98	8.89	2.00	9.08	2.02	9.45	2.05	9.83	2.09
						25	7.83	1.96	8.19	1.99	8.56	2.03	8.74	2.05	8.92	2.07	9.30	2.10	9.68	2.14
						27	7.68	2.01	8.04	2.04	8.40	2.08	8.59	2.10	8.77	2.12	9.15	2.15	9.53	2.19
						29	7.53	2.06	7.89	2.09	8.25	2.13	8.44	2.15	8.62	2.17	9.00	2.20	9.38	2.24
						31	7.37	2.11	7.74	2.14	8.10	2.18	8.29	2.20	8.47	2.22	8.85	2.25	9.23	2.29
						33	7.22	2.16	7.58	2.20	7.95	2.23	8.14	2.25	8.32	2.27	8.70	2.31	9.08	2.34
						35	7.07	2.21	7.43	2.25	7.80	2.29	8.00	2.30	8.17	2.32	8.55	2.36	8.93	2.40
						37	6.92	2.27	7.28	2.30	7.65	2.34	7.84	2.36	8.02	2.38	8.40	2.42	8.79	2.45
						39	6.77	2.32	7.13	2.36	7.50	2.39	7.69	2.41	7.87	2.43	8.25	2.47	8.64	2.51
						42	6.54	2.40	6.91	2.44	7.28	2.48	7.46	2.50	7.65	2.52	8.03	2.55	8.42	2.59
44	6.39	2.46	6.76	2.50	7.13	2.53	7.32	2.55	7.50	2.57	7.88	2.61	8.27	2.65						
46	6.24	2.51	6.61	2.55	6.98	2.59	7.17	2.61	7.36	2.63	7.74	2.67	8.12	2.71						

12. Capacity Table

Combination (Capacity Index)				Combination (Total)	Combination (%)	Outdoor Temperature (°C,DB)	Indoor Temperature(°C, WB)													
							14		16		18		19		20		22		24	
							TC(kW)	PI(kW)	TC(kW)	PI(kW)	TC(kW)	PI(kW)	TC(kW)	PI(kW)	TC(kW)	PI(kW)	TC(kW)	PI(kW)	TC(kW)	PI(kW)
2000	2000	3500	3500	11000	138%	10	9.00	1.65	9.35	1.68	9.71	1.72	9.89	1.74	10.07	1.75	10.44	1.79	10.81	1.82
						12	8.84	1.69	9.19	1.73	9.55	1.76	9.73	1.78	9.92	1.80	10.29	1.83	10.66	1.87
						14	8.68	1.74	9.04	1.77	9.40	1.81	9.58	1.83	9.76	1.84	10.13	1.88	10.51	1.92
						16	8.53	1.78	8.88	1.82	9.24	1.86	9.43	1.87	9.61	1.89	9.98	1.93	10.36	1.96
						18	8.37	1.83	8.73	1.87	9.09	1.90	9.27	1.92	9.46	1.94	9.83	1.97	10.21	2.01
						20	8.22	1.88	8.57	1.91	8.94	1.95	9.12	1.97	9.30	1.99	9.68	2.02	10.05	2.06
						21	8.14	1.90	8.50	1.94	8.86	1.97	9.04	1.99	9.23	2.01	9.60	2.05	9.98	2.08
						23	7.99	1.95	8.34	1.99	8.71	2.02	8.89	2.04	9.08	2.06	9.45	2.10	9.83	2.13
						25	7.83	2.00	8.19	2.04	8.56	2.07	8.74	2.09	8.92	2.11	9.30	2.15	9.68	2.18
						27	7.68	2.05	8.04	2.09	8.40	2.12	8.59	2.14	8.77	2.16	9.15	2.20	9.53	2.24
						29	7.53	2.10	7.89	2.14	8.25	2.18	8.44	2.19	8.62	2.21	9.00	2.25	9.38	2.29
						31	7.37	2.15	7.74	2.19	8.10	2.23	8.29	2.25	8.47	2.27	8.85	2.30	9.23	2.34
						33	7.22	2.21	7.58	2.24	7.95	2.28	8.14	2.30	8.32	2.32	8.70	2.36	9.08	2.40
						35	7.07	2.26	7.43	2.30	7.80	2.34	8.00	2.35	8.17	2.37	8.55	2.41	8.93	2.45
						37	6.92	2.31	7.28	2.35	7.65	2.39	7.84	2.41	8.02	2.43	8.40	2.47	8.79	2.51
						39	6.77	2.37	7.13	2.41	7.50	2.45	7.69	2.47	7.87	2.49	8.25	2.52	8.64	2.56
42	6.54	2.45	6.91	2.49	7.28	2.53	7.46	2.55	7.65	2.57	8.03	2.61	8.42	2.65						
44	6.39	2.51	6.76	2.55	7.13	2.59	7.32	2.61	7.50	2.63	7.88	2.67	8.27	2.71						
46	6.24	2.57	6.61	2.61	6.98	2.65	7.17	2.67	7.36	2.69	7.74	2.73	8.12	2.77						
2000	2500	2500	2500	9500	119%	10	8.60	1.59	8.94	1.62	9.28	1.65	9.46	1.67	9.63	1.69	9.98	1.72	10.34	1.75
						12	8.45	1.63	8.79	1.66	9.13	1.70	9.31	1.71	9.48	1.73	9.84	1.76	10.20	1.80
						14	8.30	1.67	8.64	1.71	8.99	1.74	9.16	1.76	9.34	1.77	9.69	1.81	10.05	1.84
						16	8.15	1.72	8.49	1.75	8.84	1.78	9.01	1.80	9.19	1.82	9.54	1.85	9.90	1.89
						18	8.01	1.76	8.35	1.79	8.69	1.83	8.87	1.85	9.04	1.86	9.40	1.90	9.76	1.93
						20	7.86	1.81	8.20	1.84	8.55	1.88	8.72	1.89	8.90	1.91	9.25	1.95	9.61	1.98
						21	7.78	1.83	8.13	1.86	8.47	1.90	8.65	1.92	8.82	1.93	9.18	1.97	9.54	2.00
						23	7.64	1.88	7.98	1.91	8.33	1.95	8.50	1.96	8.68	1.98	9.04	2.02	9.40	2.05
						25	7.49	1.92	7.83	1.96	8.18	1.99	8.36	2.01	8.53	2.03	8.89	2.07	9.26	2.10
						27	7.34	1.97	7.69	2.01	8.04	2.04	8.21	2.06	8.39	2.08	8.75	2.11	9.11	2.15
						29	7.20	2.02	7.54	2.06	7.89	2.09	8.07	2.11	8.25	2.13	8.60	2.16	8.97	2.20
						31	7.05	2.07	7.40	2.11	7.75	2.14	7.92	2.16	8.10	2.18	8.46	2.22	8.83	2.25
						33	6.91	2.12	7.25	2.16	7.60	2.19	7.78	2.21	7.96	2.23	8.32	2.27	8.68	2.30
						35	6.76	2.17	7.11	2.21	7.46	2.25	7.65	2.26	7.81	2.28	8.18	2.32	8.54	2.36
						37	6.62	2.23	6.96	2.26	7.32	2.30	7.49	2.32	7.67	2.34	8.03	2.37	8.40	2.41
						39	6.47	2.28	6.82	2.32	7.17	2.35	7.35	2.37	7.53	2.39	7.89	2.43	8.26	2.46
42	6.26	2.36	6.61	2.40	6.96	2.43	7.14	2.45	7.32	2.47	7.68	2.51	8.05	2.55						
44	6.11	2.42	6.46	2.45	6.82	2.49	7.00	2.51	7.18	2.53	7.54	2.57	7.91	2.60						
46	5.97	2.47	6.32	2.51	6.67	2.55	6.85	2.57	7.03	2.58	7.40	2.62	7.77	2.66						

12. Capacity Table

Combination (Capacity Index)				Combination (Total)	Combination (%)	Outdoor Temperature (°C,DB)	Indoor Temperature(°C, WB)													
							14		16		18		19		20		22		24	
							TC(kW)	PI(kW)	TC(kW)	PI(kW)	TC(kW)	PI(kW)	TC(kW)	PI(kW)	TC(kW)	PI(kW)	TC(kW)	PI(kW)	TC(kW)	PI(kW)
2000	2500	2500	3500	10500	131%	10	8.87	1.63	9.22	1.67	9.57	1.70	9.75	1.72	9.93	1.74	10.30	1.77	10.67	1.81
						12	8.72	1.68	9.07	1.71	9.42	1.75	9.60	1.77	9.78	1.78	10.15	1.82	10.52	1.85
						14	8.56	1.72	8.91	1.76	9.27	1.79	9.45	1.81	9.63	1.83	9.99	1.86	10.37	1.90
						16	8.41	1.77	8.76	1.80	9.12	1.84	9.30	1.86	9.48	1.88	9.84	1.91	10.22	1.95
						18	8.26	1.81	8.61	1.85	8.97	1.89	9.15	1.90	9.33	1.92	9.69	1.96	10.07	1.99
						20	8.11	1.86	8.46	1.90	8.81	1.93	8.99	1.95	9.18	1.97	9.54	2.01	9.92	2.04
						21	8.03	1.89	8.38	1.92	8.74	1.96	8.92	1.98	9.10	1.99	9.47	2.03	9.84	2.07
						23	7.88	1.93	8.23	1.97	8.59	2.01	8.77	2.02	8.95	2.04	9.32	2.08	9.69	2.12
						25	7.73	1.98	8.08	2.02	8.44	2.06	8.62	2.07	8.80	2.09	9.17	2.13	9.55	2.17
						27	7.57	2.03	7.93	2.07	8.29	2.11	8.47	2.12	8.65	2.14	9.02	2.18	9.40	2.22
						29	7.42	2.08	7.78	2.12	8.14	2.16	8.32	2.18	8.50	2.19	8.87	2.23	9.25	2.27
						31	7.27	2.14	7.63	2.17	7.99	2.21	8.17	2.23	8.36	2.25	8.73	2.28	9.10	2.32
						33	7.12	2.19	7.48	2.22	7.84	2.26	8.02	2.28	8.21	2.30	8.58	2.34	8.96	2.38
						35	6.97	2.24	7.33	2.28	7.69	2.32	7.89	2.33	8.06	2.35	8.43	2.39	8.81	2.43
						37	6.82	2.29	7.18	2.33	7.54	2.37	7.73	2.39	7.91	2.41	8.29	2.45	8.66	2.48
						39	6.68	2.35	7.03	2.39	7.40	2.43	7.58	2.44	7.77	2.46	8.14	2.50	8.52	2.54
						42	6.45	2.43	6.81	2.47	7.18	2.51	7.36	2.53	7.55	2.55	7.92	2.59	8.30	2.63
44	6.31	2.49	6.67	2.53	7.03	2.57	7.21	2.59	7.40	2.61	7.78	2.65	8.16	2.68						
46	6.16	2.55	6.52	2.59	6.88	2.63	7.07	2.65	7.26	2.66	7.63	2.70	8.01	2.74						
2000	2500	2500	5000	12000	150%	10	9.00	1.61	9.35	1.65	9.71	1.68	9.89	1.70	10.07	1.72	10.44	1.75	10.81	1.79
						12	8.84	1.66	9.19	1.69	9.55	1.73	9.73	1.74	9.92	1.76	10.29	1.80	10.66	1.83
						14	8.68	1.70	9.04	1.74	9.40	1.77	9.58	1.79	9.76	1.81	10.13	1.84	10.51	1.88
						16	8.53	1.75	8.88	1.78	9.24	1.82	9.43	1.83	9.61	1.85	9.98	1.89	10.36	1.92
						18	8.37	1.79	8.73	1.83	9.09	1.86	9.27	1.88	9.46	1.90	9.83	1.93	10.21	1.97
						20	8.22	1.84	8.57	1.87	8.94	1.91	9.12	1.93	9.30	1.94	9.68	1.98	10.05	2.02
						21	8.14	1.86	8.50	1.90	8.86	1.93	9.04	1.95	9.23	1.97	9.60	2.00	9.98	2.04
						23	7.99	1.91	8.34	1.94	8.71	1.98	8.89	2.00	9.08	2.02	9.45	2.05	9.83	2.09
						25	7.83	1.96	8.19	1.99	8.56	2.03	8.74	2.05	8.92	2.07	9.30	2.10	9.68	2.14
						27	7.68	2.01	8.04	2.04	8.40	2.08	8.59	2.10	8.77	2.12	9.15	2.15	9.53	2.19
						29	7.53	2.06	7.89	2.09	8.25	2.13	8.44	2.15	8.62	2.17	9.00	2.20	9.38	2.24
						31	7.37	2.11	7.74	2.14	8.10	2.18	8.29	2.20	8.47	2.22	8.85	2.25	9.23	2.29
						33	7.22	2.16	7.58	2.20	7.95	2.23	8.14	2.25	8.32	2.27	8.70	2.31	9.08	2.34
						35	7.07	2.21	7.43	2.25	7.80	2.29	8.00	2.30	8.17	2.32	8.55	2.36	8.93	2.40
						37	6.92	2.27	7.28	2.30	7.65	2.34	7.84	2.36	8.02	2.38	8.40	2.42	8.79	2.45
						39	6.77	2.32	7.13	2.36	7.50	2.39	7.69	2.41	7.87	2.43	8.25	2.47	8.64	2.51
						42	6.54	2.40	6.91	2.44	7.28	2.48	7.46	2.50	7.65	2.52	8.03	2.55	8.42	2.59
44	6.39	2.46	6.76	2.50	7.13	2.53	7.32	2.55	7.50	2.57	7.88	2.61	8.27	2.65						
46	6.24	2.51	6.61	2.55	6.98	2.59	7.17	2.61	7.36	2.63	7.74	2.67	8.12	2.71						

12. Capacity Table

Combination (Capacity Index)				Combination (Total)	Combination (%)	Outdoor Temperature (°C,DB)	Indoor Temperature(°C, WB)													
							14		16		18		19		20		22		24	
							TC(kW)	PI(kW)	TC(kW)	PI(kW)	TC(kW)	PI(kW)	TC(kW)	PI(kW)	TC(kW)	PI(kW)	TC(kW)	PI(kW)	TC(kW)	PI(kW)
2000	2500	3500	3500	11500	144%	10	9.00	1.61	9.35	1.65	9.71	1.68	9.89	1.70	10.07	1.72	10.44	1.75	10.81	1.79
						12	8.84	1.66	9.19	1.69	9.55	1.73	9.73	1.74	9.92	1.76	10.29	1.80	10.66	1.83
						14	8.68	1.70	9.04	1.74	9.40	1.77	9.58	1.79	9.76	1.81	10.13	1.84	10.51	1.88
						16	8.53	1.75	8.88	1.78	9.24	1.82	9.43	1.83	9.61	1.85	9.98	1.89	10.36	1.92
						18	8.37	1.79	8.73	1.83	9.09	1.86	9.27	1.88	9.46	1.90	9.83	1.93	10.21	1.97
						20	8.22	1.84	8.57	1.87	8.94	1.91	9.12	1.93	9.30	1.94	9.68	1.98	10.05	2.02
						21	8.14	1.86	8.50	1.90	8.86	1.93	9.04	1.95	9.23	1.97	9.60	2.00	9.98	2.04
						23	7.99	1.91	8.34	1.94	8.71	1.98	8.89	2.00	9.08	2.02	9.45	2.05	9.83	2.09
						25	7.83	1.96	8.19	1.99	8.56	2.03	8.74	2.05	8.92	2.07	9.30	2.10	9.68	2.14
						27	7.68	2.01	8.04	2.04	8.40	2.08	8.59	2.10	8.77	2.12	9.15	2.15	9.53	2.19
						29	7.53	2.06	7.89	2.09	8.25	2.13	8.44	2.15	8.62	2.17	9.00	2.20	9.38	2.24
						31	7.37	2.11	7.74	2.14	8.10	2.18	8.29	2.20	8.47	2.22	8.85	2.25	9.23	2.29
						33	7.22	2.16	7.58	2.20	7.95	2.23	8.14	2.25	8.32	2.27	8.70	2.31	9.08	2.34
						35	7.07	2.21	7.43	2.25	7.80	2.29	8.00	2.30	8.17	2.32	8.55	2.36	8.93	2.40
						37	6.92	2.27	7.28	2.30	7.65	2.34	7.84	2.36	8.02	2.38	8.40	2.42	8.79	2.45
						39	6.77	2.32	7.13	2.36	7.50	2.39	7.69	2.41	7.87	2.43	8.25	2.47	8.64	2.51
						42	6.54	2.40	6.91	2.44	7.28	2.48	7.46	2.50	7.65	2.52	8.03	2.55	8.42	2.59
44	6.39	2.46	6.76	2.50	7.13	2.53	7.32	2.55	7.50	2.57	7.88	2.61	8.27	2.65						
46	6.24	2.51	6.61	2.55	6.98	2.59	7.17	2.61	7.36	2.63	7.74	2.67	8.12	2.71						
2500	2500	2500	2500	10000	125%	10	8.73	1.61	9.07	1.64	9.42	1.68	9.59	1.69	9.77	1.71	10.13	1.74	10.49	1.78
						12	8.57	1.65	8.92	1.68	9.27	1.72	9.44	1.74	9.62	1.75	9.98	1.79	10.34	1.82
						14	8.42	1.69	8.77	1.73	9.12	1.76	9.29	1.78	9.47	1.80	9.83	1.83	10.19	1.87
						16	8.27	1.74	8.62	1.77	8.97	1.81	9.14	1.83	9.32	1.84	9.68	1.88	10.05	1.91
						18	8.12	1.78	8.47	1.82	8.82	1.85	8.99	1.87	9.17	1.89	9.53	1.92	9.90	1.96
						20	7.97	1.83	8.32	1.87	8.67	1.90	8.85	1.92	9.03	1.94	9.39	1.97	9.75	2.01
						21	7.90	1.85	8.24	1.89	8.59	1.92	8.77	1.94	8.95	1.96	9.31	2.00	9.68	2.03
						23	7.75	1.90	8.09	1.94	8.45	1.97	8.62	1.99	8.80	2.01	9.17	2.04	9.53	2.08
						25	7.60	1.95	7.95	1.98	8.30	2.02	8.48	2.04	8.66	2.06	9.02	2.09	9.39	2.13
						27	7.45	2.00	7.80	2.03	8.15	2.07	8.33	2.09	8.51	2.11	8.87	2.14	9.24	2.18
						29	7.30	2.05	7.65	2.08	8.00	2.12	8.18	2.14	8.36	2.16	8.73	2.19	9.10	2.23
						31	7.15	2.10	7.50	2.14	7.86	2.17	8.04	2.19	8.22	2.21	8.58	2.25	8.95	2.28
						33	7.01	2.15	7.36	2.19	7.71	2.22	7.89	2.24	8.07	2.26	8.44	2.30	8.81	2.33
						35	6.86	2.20	7.21	2.24	7.57	2.28	7.76	2.29	7.93	2.31	8.29	2.35	8.67	2.39
						37	6.71	2.26	7.06	2.29	7.42	2.33	7.60	2.35	7.78	2.37	8.15	2.40	8.52	2.44
						39	6.57	2.31	6.92	2.35	7.28	2.38	7.46	2.40	7.64	2.42	8.01	2.46	8.38	2.50
						42	6.35	2.39	6.70	2.43	7.06	2.47	7.24	2.49	7.42	2.50	7.79	2.54	8.16	2.58
44	6.20	2.45	6.56	2.49	6.91	2.52	7.10	2.54	7.28	2.56	7.65	2.60	8.02	2.64						
46	6.06	2.50	6.41	2.54	6.77	2.58	6.95	2.60	7.14	2.62	7.51	2.66	7.88	2.70						

12. Capacity Table

Combination (Capacity Index)				Combination (Total)	Combination (%)	Outdoor Temperature (°C,DB)	Indoor Temperature(°C, WB)													
							14		16		18		19		20		22		24	
							TC(kW)	PI(kW)	TC(kW)	PI(kW)	TC(kW)	PI(kW)	TC(kW)	PI(kW)	TC(kW)	PI(kW)	TC(kW)	PI(kW)	TC(kW)	PI(kW)
2500	2500	2500	3500	11000	138%	10	9.00	1.61	9.35	1.65	9.71	1.68	9.89	1.70	10.07	1.72	10.44	1.75	10.81	1.79
						12	8.84	1.66	9.19	1.69	9.55	1.73	9.73	1.74	9.92	1.76	10.29	1.80	10.66	1.83
						14	8.68	1.70	9.04	1.74	9.40	1.77	9.58	1.79	9.76	1.81	10.13	1.84	10.51	1.88
						16	8.53	1.75	8.88	1.78	9.24	1.82	9.43	1.83	9.61	1.85	9.98	1.89	10.36	1.92
						18	8.37	1.79	8.73	1.83	9.09	1.86	9.27	1.88	9.46	1.90	9.83	1.93	10.21	1.97
						20	8.22	1.84	8.57	1.87	8.94	1.91	9.12	1.93	9.30	1.94	9.68	1.98	10.05	2.02
						21	8.14	1.86	8.50	1.90	8.86	1.93	9.04	1.95	9.23	1.97	9.60	2.00	9.98	2.04
						23	7.99	1.91	8.34	1.94	8.71	1.98	8.89	2.00	9.08	2.02	9.45	2.05	9.83	2.09
						25	7.83	1.96	8.19	1.99	8.56	2.03	8.74	2.05	8.92	2.07	9.30	2.10	9.68	2.14
						27	7.68	2.01	8.04	2.04	8.40	2.08	8.59	2.10	8.77	2.12	9.15	2.15	9.53	2.19
						29	7.53	2.06	7.89	2.09	8.25	2.13	8.44	2.15	8.62	2.17	9.00	2.20	9.38	2.24
						31	7.37	2.11	7.74	2.14	8.10	2.18	8.29	2.20	8.47	2.22	8.85	2.25	9.23	2.29
						33	7.22	2.16	7.58	2.20	7.95	2.23	8.14	2.25	8.32	2.27	8.70	2.31	9.08	2.34
						35	7.07	2.21	7.43	2.25	7.80	2.29	8.00	2.30	8.17	2.32	8.55	2.36	8.93	2.40
						37	6.92	2.27	7.28	2.30	7.65	2.34	7.84	2.36	8.02	2.38	8.40	2.42	8.79	2.45
						39	6.77	2.32	7.13	2.36	7.50	2.39	7.69	2.41	7.87	2.43	8.25	2.47	8.64	2.51
						42	6.54	2.40	6.91	2.44	7.28	2.48	7.46	2.50	7.65	2.52	8.03	2.55	8.42	2.59
44	6.39	2.46	6.76	2.50	7.13	2.53	7.32	2.55	7.50	2.57	7.88	2.61	8.27	2.65						
46	6.24	2.51	6.61	2.55	6.98	2.59	7.17	2.61	7.36	2.63	7.74	2.67	8.12	2.71						
2500	2500	3500	3500	12000	150%	10	9.00	1.38	9.35	1.41	9.71	1.44	9.89	1.46	10.07	1.47	10.44	1.50	10.81	1.53
						12	8.84	1.42	9.19	1.45	9.55	1.48	9.73	1.49	9.92	1.51	10.29	1.54	10.66	1.57
						14	8.68	1.46	9.04	1.49	9.40	1.52	9.58	1.53	9.76	1.55	10.13	1.58	10.51	1.61
						16	8.53	1.50	8.88	1.53	9.24	1.56	9.43	1.57	9.61	1.59	9.98	1.62	10.36	1.65
						18	8.37	1.53	8.73	1.56	9.09	1.59	9.27	1.61	9.46	1.63	9.83	1.66	10.21	1.69
						20	8.22	1.57	8.57	1.60	8.94	1.64	9.12	1.65	9.30	1.67	9.68	1.70	10.05	1.73
						21	8.14	1.59	8.50	1.62	8.86	1.66	9.04	1.67	9.23	1.69	9.60	1.72	9.98	1.75
						23	7.99	1.64	8.34	1.67	8.71	1.70	8.89	1.71	9.08	1.73	9.45	1.76	9.83	1.79
						25	7.83	1.68	8.19	1.71	8.56	1.74	8.74	1.75	8.92	1.77	9.30	1.80	9.68	1.83
						27	7.68	1.72	8.04	1.75	8.40	1.78	8.59	1.80	8.77	1.81	9.15	1.84	9.53	1.87
						29	7.53	1.76	7.89	1.79	8.25	1.82	8.44	1.84	8.62	1.86	9.00	1.89	9.38	1.92
						31	7.37	1.81	7.74	1.84	8.10	1.87	8.29	1.88	8.47	1.90	8.85	1.93	9.23	1.96
						33	7.22	1.85	7.58	1.88	7.95	1.91	8.14	1.93	8.32	1.94	8.70	1.98	9.08	2.01
						35	7.07	1.89	7.43	1.93	7.80	1.96	8.00	1.97	8.17	1.99	8.55	2.02	8.93	2.05
						37	6.92	1.94	7.28	1.97	7.65	2.00	7.84	2.02	8.02	2.04	8.40	2.07	8.79	2.10
						39	6.77	1.99	7.13	2.02	7.50	2.05	7.69	2.07	7.87	2.08	8.25	2.12	8.64	2.15
						42	6.54	2.06	6.91	2.09	7.28	2.12	7.46	2.14	7.65	2.15	8.03	2.19	8.42	2.22
44	6.39	2.11	6.76	2.14	7.13	2.17	7.32	2.19	7.50	2.20	7.88	2.24	8.27	2.27						
46	6.24	2.15	6.61	2.19	6.98	2.22	7.17	2.24	7.36	2.25	7.74	2.29	8.12	2.32						

NOTE

- Cooling capacity is based on 27°CDB / 19°CWB (indoor temperature), 35°CDB (outdoor temperature).
- Heating capacity is based on 20°CDB (indoor temperature), 7°CDB/6°CWB (outdoor temperature).
- The above is the value for connecting with the following indoor units.
 - 2000, 2500, 3500, 5000, 6800W class : AR07TXFCawkNEU, AR09TXFCawkNEU, AR12TXFCawkNEU, AR18TXEAAwkNEU, AR24TXEAAwkNEU
- Capacities are based on the following conditions:
 - Corresponding refrigerant piping length : 5m / - Level difference : 0m
- The total ability of connected a indoor unit is up to 12kW
- It is impossible to connect the indoor unit for one room only.
- This data is reference data for temperature capacity trend.

12. Capacity Table

12-5. AJ080TXJ4KG/EU

Heating

Combination (Capacity Index)				Combination (Total)	Combination (%)	Outdoor Temperature (°C,DB)	Indoor Temperature(°C, DB)													
							14		16		18		20		21		22		24	
							TC(kW)	PI(kW)	TC(kW)	PI(kW)	TC(kW)	PI(kW)	TC(kW)	PI(kW)	TC(kW)	PI(kW)	TC(kW)	PI(kW)	TC(kW)	PI(kW)
2000				2000	25%	-15	1.26	0.76	1.22	0.77	1.18	0.78	1.17	0.78	1.15	0.79	1.13	0.79	1.11	0.80
						-10	1.51	0.79	1.47	0.81	1.43	0.82	1.41	0.82	1.40	0.83	1.37	0.85	1.34	0.84
						-5	1.76	0.83	1.71	0.85	1.67	0.86	1.66	0.86	1.64	0.87	1.61	0.88	1.58	0.88
						0	2.01	0.87	1.96	0.89	1.92	0.90	1.90	0.90	1.88	0.91	1.85	0.92	1.82	0.93
						2	2.11	0.89	2.06	0.90	2.02	0.91	2.00	0.92	1.98	0.92	1.95	0.93	1.92	0.94
						7	2.31	0.92	2.26	0.93	2.21	0.95	2.20	0.95	2.17	0.96	2.14	0.97	2.11	0.98
						10	2.51	0.95	2.46	0.96	2.41	0.98	2.39	0.98	2.37	0.99	2.33	1.00	2.30	1.01
						15	2.76	0.99	2.71	1.00	2.66	1.02	2.64	1.02	2.61	1.03	2.57	1.04	2.54	1.05
2500				2500	31%	-15	1.89	0.91	1.83	0.93	1.78	0.94	1.75	0.95	1.73	0.95	1.69	0.96	1.66	0.97
						-10	2.26	0.96	2.20	0.98	2.14	0.99	2.12	1.00	2.09	1.00	2.05	1.01	2.02	1.02
						-5	2.64	1.01	2.57	1.02	2.51	1.04	2.48	1.04	2.46	1.05	2.41	1.06	2.37	1.07
						0	3.01	1.06	2.94	1.07	2.88	1.09	2.85	1.09	2.82	1.10	2.77	1.11	2.73	1.12
						2	3.16	1.08	3.09	1.09	3.03	1.11	3.00	1.11	2.97	1.12	2.92	1.13	2.87	1.14
						7	3.46	1.11	3.39	1.13	3.32	1.14	3.30	1.15	3.26	1.16	3.21	1.17	3.16	1.18
						10	3.76	1.15	3.69	1.17	3.62	1.18	3.59	1.19	3.55	1.20	3.50	1.21	3.45	1.22
						15	4.14	1.20	4.06	1.21	3.99	1.23	3.95	1.24	3.92	1.25	3.86	1.26	3.81	1.27
3500				3500	44%	-15	2.29	1.03	2.22	1.05	2.15	1.06	2.13	1.07	2.10	1.07	2.05	1.08	2.01	1.09
						-10	2.74	1.09	2.67	1.10	2.60	1.12	2.57	1.12	2.54	1.13	2.49	1.14	2.44	1.15
						-5	3.20	1.14	3.12	1.16	3.04	1.17	3.01	1.18	2.98	1.19	2.92	1.20	2.88	1.21
						0	3.65	1.19	3.57	1.21	3.49	1.23	3.46	1.24	3.42	1.24	3.36	1.26	3.31	1.27
						2	3.83	1.22	3.75	1.23	3.67	1.25	3.63	1.26	3.60	1.27	3.54	1.28	3.48	1.29
						7	4.20	1.26	4.11	1.28	4.03	1.29	4.00	1.30	3.95	1.31	3.89	1.32	3.83	1.34
						10	4.56	1.30	4.47	1.32	4.38	1.34	4.35	1.35	4.31	1.35	4.24	1.37	4.18	1.38
						15	5.02	1.35	4.92	1.37	4.83	1.39	4.79	1.40	4.75	1.41	4.68	1.42	4.62	1.44
5000				5000	63%	-15	3.43	1.39	3.33	1.41	3.23	1.43	3.19	1.44	3.15	1.45	3.08	1.46	3.02	1.47
						-10	4.11	1.46	4.00	1.49	3.90	1.51	3.85	1.51	3.81	1.52	3.73	1.54	3.67	1.55
						-5	4.80	1.54	4.67	1.56	4.57	1.58	4.52	1.59	4.47	1.60	4.39	1.61	4.31	1.63
						0	5.48	1.61	5.35	1.63	5.24	1.65	5.18	1.66	5.13	1.67	5.04	1.69	4.97	1.71
						2	5.75	1.64	5.62	1.66	5.50	1.68	5.45	1.69	5.40	1.70	5.31	1.72	5.23	1.74
						7	6.30	1.69	6.16	1.72	6.04	1.74	6.00	1.75	5.93	1.76	5.83	1.78	5.75	1.80
						10	6.84	1.75	6.70	1.78	6.58	1.80	6.52	1.81	6.46	1.82	6.36	1.84	6.27	1.86
						15	7.53	1.82	7.38	1.85	7.25	1.87	7.19	1.88	7.13	1.90	7.02	1.92	6.92	1.93
6800				6800	85%	-15	4.47	1.79	4.33	1.82	4.20	1.84	4.14	1.85	4.09	1.86	4.00	1.88	3.92	1.89
						-10	5.35	1.88	5.20	1.91	5.07	1.94	5.01	1.95	4.95	1.96	4.85	1.98	4.77	1.99
						-5	6.23	1.98	6.08	2.00	5.94	2.03	5.87	2.04	5.81	2.05	5.70	2.08	5.61	2.09
						0	7.12	2.07	6.96	2.10	6.81	2.13	6.74	2.14	6.67	2.15	6.56	2.17	6.45	2.19
						2	7.47	2.10	7.31	2.14	7.15	2.16	7.08	2.18	7.02	2.19	6.90	2.21	6.79	2.23
						7	8.19	2.18	8.01	2.21	7.85	2.24	7.80	2.25	7.71	2.27	7.58	2.29	7.47	2.31
						10	8.90	2.25	8.72	2.28	8.55	2.31	8.47	2.33	8.40	2.34	8.27	2.37	8.15	2.39
						15	9.79	2.34	9.60	2.38	9.43	2.41	9.34	2.42	9.27	2.44	9.13	2.46	9.00	2.49

12. Capacity Table

Combination (Capacity Index)				Combination (Total)	Combination (%)	Outdoor Temperature (°C, DB)	Indoor Temperature(°C, DB)													
							14		16		18		20		21		22		24	
							TC(kW)	PI(kW)	TC(kW)	PI(kW)	TC(kW)	PI(kW)	TC(kW)	PI(kW)	TC(kW)	PI(kW)	TC(kW)	PI(kW)	TC(kW)	PI(kW)
2000	2000			4000	50%	-15	2.52	0.97	2.44	0.98	2.37	1.00	2.34	1.00	2.31	1.01	2.26	1.02	2.21	1.03
						-10	3.02	1.02	2.93	1.04	2.86	1.05	2.82	1.06	2.79	1.06	2.74	1.07	2.69	1.08
						-5	3.52	1.07	3.43	1.09	3.35	1.10	3.31	1.11	3.28	1.11	3.22	1.13	3.16	1.14
						0	4.02	1.12	3.92	1.14	3.84	1.15	3.80	1.16	3.76	1.17	3.70	1.18	3.64	1.19
						2	4.22	1.14	4.12	1.16	4.04	1.17	4.00	1.18	3.96	1.19	3.89	1.20	3.83	1.21
						7	4.62	1.18	4.52	1.20	4.43	1.21	4.40	1.22	4.35	1.23	4.28	1.24	4.21	1.25
						10	5.02	1.22	4.92	1.24	4.82	1.25	4.78	1.26	4.74	1.27	4.66	1.28	4.60	1.30
						15	5.52	1.27	5.41	1.29	5.32	1.31	5.27	1.31	5.23	1.32	5.15	1.34	5.08	1.35
2000	2500			4500	56%	-15	2.92	1.12	2.83	1.14	2.75	1.15	2.71	1.16	2.68	1.17	2.62	1.18	2.56	1.19
						-10	3.50	1.18	3.40	1.20	3.31	1.21	3.27	1.22	3.24	1.23	3.17	1.24	3.12	1.25
						-5	4.08	1.24	3.97	1.26	3.88	1.27	3.84	1.28	3.80	1.29	3.73	1.30	3.67	1.31
						0	4.66	1.30	4.55	1.31	4.45	1.33	4.41	1.34	4.36	1.35	4.29	1.36	4.22	1.37
						2	4.89	1.32	4.78	1.34	4.68	1.36	4.63	1.36	4.59	1.37	4.51	1.39	4.44	1.40
						7	5.35	1.36	5.24	1.38	5.13	1.40	5.10	1.41	5.04	1.42	4.96	1.44	4.89	1.45
						10	5.82	1.41	5.70	1.43	5.59	1.45	5.54	1.46	5.49	1.47	5.41	1.48	5.33	1.50
						15	6.40	1.47	6.28	1.49	6.16	1.51	6.11	1.52	6.06	1.53	5.97	1.54	5.88	1.56
2000	3500			5500	69%	-15	3.43	1.40	3.33	1.42	3.23	1.44	3.19	1.45	3.15	1.45	3.08	1.47	3.02	1.48
						-10	4.11	1.47	4.00	1.49	3.90	1.51	3.85	1.52	3.81	1.53	3.73	1.55	3.67	1.56
						-5	4.80	1.55	4.67	1.57	4.57	1.59	4.52	1.60	4.47	1.61	4.39	1.62	4.31	1.64
						0	5.48	1.62	5.35	1.64	5.24	1.66	5.18	1.67	5.13	1.68	5.04	1.70	4.97	1.72
						2	5.75	1.65	5.62	1.67	5.50	1.69	5.45	1.70	5.40	1.71	5.31	1.73	5.23	1.75
						7	6.30	1.70	6.16	1.73	6.04	1.75	6.00	1.76	5.93	1.77	5.83	1.79	5.75	1.81
						10	6.84	1.76	6.70	1.79	6.58	1.81	6.52	1.82	6.46	1.83	6.36	1.85	6.27	1.87
						15	7.53	1.83	7.38	1.86	7.25	1.88	7.19	1.89	7.13	1.91	7.02	1.93	6.92	1.95
2000	5000			7000	88%	-15	4.47	1.72	4.33	1.74	4.20	1.77	4.14	1.78	4.09	1.79	4.00	1.80	3.92	1.82
						-10	5.35	1.81	5.20	1.83	5.07	1.86	5.01	1.87	4.95	1.88	4.85	1.90	4.77	1.91
						-5	6.23	1.90	6.08	1.92	5.94	1.95	5.87	1.96	5.81	1.97	5.70	1.99	5.61	2.01
						0	7.12	1.98	6.96	2.01	6.81	2.04	6.74	2.05	6.67	2.07	6.56	2.09	6.45	2.11
						2	7.47	2.02	7.31	2.05	7.15	2.08	7.08	2.09	7.02	2.10	6.90	2.12	6.79	2.14
						7	8.19	2.09	8.01	2.12	7.85	2.15	7.80	2.16	7.71	2.18	7.58	2.20	7.47	2.22
						10	8.90	2.16	8.72	2.19	8.55	2.22	8.47	2.24	8.40	2.25	8.27	2.27	8.15	2.29
						15	9.79	2.25	9.60	2.28	9.43	2.31	9.34	2.33	9.27	2.34	9.13	2.36	9.00	2.39
2000	6800			8800	110%	-15	4.65	1.79	4.50	1.82	4.37	1.84	4.31	1.85	4.26	1.86	4.16	1.88	4.08	1.89
						-10	5.57	1.88	5.41	1.91	5.28	1.94	5.21	1.95	5.15	1.96	5.05	1.98	4.96	1.99
						-5	6.49	1.98	6.33	2.00	6.18	2.03	6.11	2.04	6.05	2.05	5.94	2.08	5.84	2.09
						0	7.41	2.07	7.24	2.10	7.09	2.13	7.01	2.14	6.95	2.15	6.83	2.17	6.72	2.19
						2	7.78	2.10	7.61	2.14	7.45	2.16	7.38	2.18	7.31	2.19	7.18	2.21	7.07	2.23
						7	8.52	2.18	8.34	2.21	8.17	2.24	8.12	2.25	8.03	2.27	7.89	2.29	7.78	2.31
						10	9.26	2.25	9.07	2.28	8.90	2.31	8.82	2.33	8.75	2.34	8.61	2.37	8.48	2.39
						15	10.19	2.34	9.99	2.38	9.81	2.41	9.73	2.42	9.65	2.44	9.50	2.46	9.37	2.49
2500	2500			5000	63%	-15	3.32	1.27	3.22	1.29	3.12	1.31	3.08	1.32	3.04	1.32	2.97	1.34	2.92	1.35
						-10	3.98	1.34	3.87	1.36	3.77	1.38	3.72	1.38	3.68	1.39	3.61	1.41	3.54	1.42
						-5	4.64	1.40	4.52	1.43	4.41	1.44	4.37	1.45	4.32	1.46	4.24	1.48	4.17	1.49
						0	5.29	1.47	5.17	1.49	5.06	1.51	5.01	1.52	4.96	1.53	4.88	1.55	4.80	1.56
						2	5.56	1.50	5.43	1.52	5.32	1.54	5.27	1.55	5.22	1.56	5.13	1.57	5.05	1.59
						7	6.09	1.55	5.96	1.57	5.84	1.59	5.80	1.60	5.73	1.61	5.64	1.63	5.56	1.64
						10	6.62	1.60	6.48	1.62	6.36	1.65	6.30	1.66	6.25	1.67	6.15	1.68	6.06	1.70
						15	7.28	1.66	7.14	1.69	7.01	1.71	6.95	1.72	6.89	1.73	6.79	1.75	6.69	1.77

12. Capacity Table

Combination (Capacity Index)				Combination (Total)	Combination (%)	Outdoor Temperature (°C,DB)	Indoor Temperature(°C, DB)															
							14		16		18		20		21		22		24			
							TC(kW)	PI(kW)	TC(kW)	PI(kW)	TC(kW)	PI(kW)	TC(kW)	PI(kW)	TC(kW)	PI(kW)	TC(kW)	PI(kW)	TC(kW)	PI(kW)		
2500	3500			6000	75%	-15	3.84	1.54	3.72	1.57	3.61	1.59	3.56	1.59	3.52	1.60	3.44	1.62	3.37	1.63		
						-10	4.59	1.62	4.47	1.65	4.35	1.67	4.30	1.68	4.25	1.69	4.17	1.70	4.09	1.72		
						-5	5.35	1.70	5.22	1.73	5.10	1.75	5.04	1.76	4.99	1.77	4.90	1.79	4.82	1.81		
						0	6.12	1.78	5.97	1.81	5.85	1.83	5.79	1.84	5.73	1.86	5.63	1.87	5.54	1.89		
						2	6.42	1.81	6.28	1.84	6.15	1.87	6.09	1.88	6.03	1.89	5.93	1.91	5.84	1.93		
						7	7.03	1.88	6.88	1.91	6.74	1.93	6.70	1.94	6.62	1.95	6.51	1.97	6.42	1.99		
						10	7.64	1.94	7.49	1.97	7.34	2.00	7.28	2.01	7.22	2.02	7.10	2.04	7.00	2.06		
						15	8.41	2.02	8.24	2.05	8.10	2.08	8.03	2.09	7.96	2.10	7.84	2.12	7.73	2.14		
2500	5000			7500	94%	-15	4.47	1.72	4.33	1.74	4.20	1.77	4.14	1.78	4.09	1.79	4.00	1.80	3.92	1.82		
						-10	5.35	1.81	5.20	1.83	5.07	1.86	5.01	1.87	4.95	1.88	4.85	1.90	4.77	1.91		
						-5	6.23	1.90	6.08	1.92	5.94	1.95	5.87	1.96	5.81	1.97	5.70	1.99	5.61	2.01		
						0	7.12	1.98	6.96	2.01	6.81	2.04	6.74	2.05	6.67	2.07	6.56	2.09	6.45	2.11		
						2	7.47	2.02	7.31	2.05	7.15	2.08	7.08	2.09	7.02	2.10	6.90	2.12	6.79	2.14		
						7	8.19	2.09	8.01	2.12	7.85	2.15	7.80	2.16	7.71	2.18	7.58	2.20	7.47	2.22		
						10	8.90	2.16	8.72	2.19	8.55	2.22	8.47	2.24	8.40	2.25	8.27	2.27	8.15	2.29		
						15	9.79	2.25	9.60	2.28	9.43	2.31	9.34	2.33	9.27	2.34	9.13	2.36	9.00	2.39		
2500	6800			9300	116%	-15	4.78	1.86	4.63	1.89	4.50	1.91	4.44	1.92	4.38	1.93	4.28	1.95	4.20	1.97		
						-10	5.73	1.96	5.57	1.99	5.43	2.01	5.36	2.02	5.30	2.04	5.19	2.06	5.10	2.07		
						-5	6.67	2.05	6.51	2.08	6.35	2.11	6.29	2.13	6.22	2.14	6.10	2.16	6.00	2.18		
						0	7.62	2.15	7.45	2.18	7.29	2.21	7.21	2.22	7.14	2.24	7.02	2.26	6.91	2.28		
						2	8.00	2.19	7.82	2.22	7.66	2.25	7.58	2.26	7.51	2.28	7.38	2.30	7.27	2.32		
						7	8.76	2.26	8.58	2.30	8.41	2.33	8.35	2.34	8.25	2.36	8.12	2.38	8.00	2.40		
						10	9.52	2.34	9.33	2.37	9.15	2.41	9.07	2.42	8.99	2.44	8.85	2.46	8.73	2.49		
						15	10.48	2.43	10.28	2.47	10.09	2.50	10.00	2.52	9.92	2.53	9.77	2.56	9.63	2.59		
3500	3500			7000	88%	-15	4.35	1.73	4.21	1.76	4.09	1.78	4.04	1.79	3.99	1.80	3.90	1.82	3.82	1.83		
						-10	5.21	1.82	5.07	1.85	4.94	1.88	4.88	1.89	4.82	1.90	4.73	1.92	4.64	1.93		
						-5	6.07	1.91	5.92	1.94	5.78	1.97	5.72	1.98	5.66	1.99	5.56	2.01	5.47	2.03		
						0	6.94	2.00	6.78	2.03	6.63	2.06	6.57	2.07	6.50	2.08	6.39	2.11	6.29	2.12		
						2	7.28	2.04	7.12	2.07	6.97	2.10	6.90	2.11	6.84	2.12	6.72	2.14	6.62	2.16		
						7	7.98	2.11	7.81	2.14	7.65	2.17	7.60	2.18	7.51	2.20	7.39	2.22	7.28	2.24		
						10	8.67	2.18	8.49	2.21	8.33	2.24	8.26	2.26	8.19	2.27	8.06	2.29	7.94	2.32		
						15	9.54	2.27	9.35	2.30	9.18	2.33	9.10	2.35	9.03	2.36	8.89	2.39	8.77	2.41		
3500	5000			8500	106%	-15	4.65	1.79	4.50	1.82	4.37	1.84	4.31	1.85	4.26	1.86	4.16	1.88	4.08	1.89		
						-10	5.57	1.88	5.41	1.91	5.28	1.94	5.21	1.95	5.15	1.96	5.05	1.98	4.96	1.99		
						-5	6.49	1.98	6.33	2.00	6.18	2.03	6.11	2.04	6.05	2.05	5.94	2.08	5.84	2.09		
						0	7.41	2.07	7.24	2.10	7.09	2.13	7.01	2.14	6.95	2.15	6.83	2.17	6.72	2.19		
						2	7.78	2.10	7.61	2.14	7.45	2.16	7.38	2.18	7.31	2.19	7.18	2.21	7.07	2.23		
						7	8.52	2.18	8.34	2.21	8.17	2.24	8.12	2.25	8.03	2.27	7.89	2.29	7.78	2.31		
						10	9.26	2.25	9.07	2.28	8.90	2.31	8.82	2.33	8.75	2.34	8.61	2.37	8.48	2.39		
						15	10.19	2.34	9.99	2.38	9.81	2.41	9.73	2.42	9.65	2.44	9.50	2.46	9.37	2.49		
3500	6800			10300	129%	-15	4.84	1.89	4.69	1.92	4.55	1.95	4.49	1.96	4.43	1.97	4.33	1.99	4.25	2.00		
						-10	5.79	1.99	5.63	2.02	5.49	2.05	5.42	2.06	5.36	2.07	5.25	2.09	5.16	2.11		
						-5	6.75	2.09	6.58	2.12	6.43	2.15	6.36	2.16	6.30	2.17	6.18	2.20	6.08	2.21		
						0	7.71	2.19	7.53	2.22	7.37	2.25	7.30	2.26	7.23	2.28	7.10	2.30	6.99	2.32		
						2	8.10	2.23	7.92	2.26	7.75	2.29	7.68	2.30	7.60	2.32	7.47	2.34	7.36	2.36		
						7	8.87	2.30	8.68	2.34	8.51	2.37	8.45	2.38	8.35	2.40	8.21	2.42	8.09	2.45		
						10	9.64	2.38	9.44	2.42	9.26	2.45	9.18	2.46	9.10	2.48	8.96	2.50	8.83	2.53		
						15	10.60	2.48	10.40	2.51	10.21	2.55	10.12	2.56	10.04	2.58	9.89	2.61	9.75	2.63		

12. Capacity Table

Combination (Capacity Index)				Combination (Total)	Combination (%)	Outdoor Temperature (°C, DB)	Indoor Temperature(°C, DB)													
							14		16		18		20		21		22		24	
							TC(kW)	PI(kW)	TC(kW)	PI(kW)	TC(kW)	PI(kW)	TC(kW)	PI(kW)	TC(kW)	PI(kW)	TC(kW)	PI(kW)	TC(kW)	PI(kW)
5000	5000			10000	125%	-15	4.87	1.86	4.71	1.89	4.58	1.91	4.52	1.92	4.46	1.93	4.36	1.95	4.27	1.97
						-10	5.83	1.96	5.67	1.99	5.52	2.01	5.46	2.02	5.40	2.04	5.29	2.06	5.19	2.07
						-5	6.79	2.05	6.62	2.08	6.47	2.11	6.40	2.13	6.33	2.14	6.21	2.16	6.11	2.18
						0	7.76	2.15	7.58	2.18	7.42	2.21	7.34	2.22	7.27	2.24	7.14	2.26	7.03	2.28
						2	8.15	2.19	7.96	2.22	7.80	2.25	7.72	2.26	7.65	2.28	7.52	2.30	7.40	2.32
						7	8.92	2.26	8.73	2.30	8.56	2.33	8.50	2.34	8.40	2.36	8.26	2.38	8.14	2.40
						10	9.70	2.34	9.50	2.37	9.32	2.41	9.23	2.42	9.16	2.44	9.01	2.46	8.88	2.49
						15	10.67	2.43	10.46	2.47	10.27	2.50	10.18	2.52	10.10	2.53	9.95	2.56	9.81	2.59
5000	6800			11800	148%	-15	4.95	1.92	4.80	1.95	4.66	1.98	4.60	1.99	4.54	2.00	4.44	2.02	4.35	2.04
						-10	5.93	2.02	5.77	2.05	5.62	2.08	5.55	2.09	5.49	2.11	5.38	2.13	5.28	2.14
						-5	6.91	2.12	6.74	2.16	6.58	2.18	6.51	2.20	6.44	2.21	6.32	2.23	6.22	2.25
						0	7.90	2.22	7.71	2.26	7.55	2.29	7.47	2.30	7.40	2.31	7.27	2.34	7.16	2.36
						2	8.29	2.26	8.10	2.30	7.93	2.33	7.86	2.34	7.78	2.36	7.65	2.38	7.53	2.40
						7	9.08	2.34	8.88	2.38	8.71	2.41	8.65	2.42	8.55	2.44	8.41	2.46	8.29	2.49
						10	9.87	2.42	9.67	2.46	9.48	2.49	9.40	2.50	9.32	2.52	9.17	2.55	9.04	2.57
						15	10.85	2.52	10.64	2.55	10.45	2.59	10.36	2.61	10.28	2.62	10.12	2.65	9.98	2.68
2000	2000	2000		6000	75%	-15	3.78	1.45	3.66	1.48	3.55	1.50	3.51	1.50	3.46	1.51	3.38	1.53	3.32	1.54
						-10	4.53	1.53	4.40	1.55	4.29	1.57	4.24	1.58	4.19	1.59	4.10	1.61	4.03	1.62
						-5	5.27	1.61	5.14	1.63	5.02	1.65	4.97	1.66	4.92	1.67	4.83	1.69	4.75	1.70
						0	6.02	1.68	5.89	1.71	5.76	1.73	5.70	1.74	5.65	1.75	5.55	1.77	5.46	1.78
						2	6.32	1.71	6.18	1.74	6.05	1.76	5.99	1.77	5.94	1.78	5.84	1.80	5.75	1.82
						7	6.93	1.77	6.78	1.80	6.64	1.82	6.60	1.83	6.52	1.84	6.42	1.86	6.32	1.88
						10	7.53	1.83	7.37	1.86	7.24	1.88	7.17	1.89	7.11	1.91	7.00	1.93	6.90	1.94
						15	8.28	1.90	8.12	1.93	7.98	1.96	7.91	1.97	7.84	1.98	7.72	2.00	7.62	2.02
2000	2000	2500		6500	81%	-15	4.18	1.55	4.05	1.57	3.93	1.59	3.88	1.60	3.83	1.61	3.74	1.63	3.67	1.64
						-10	5.01	1.63	4.87	1.66	4.74	1.68	4.69	1.69	4.63	1.70	4.54	1.71	4.46	1.73
						-5	5.83	1.71	5.69	1.74	5.56	1.76	5.50	1.77	5.44	1.78	5.34	1.80	5.25	1.81
						0	6.66	1.79	6.51	1.82	6.37	1.84	6.31	1.85	6.25	1.86	6.14	1.88	6.04	1.90
						2	7.00	1.82	6.84	1.85	6.70	1.88	6.63	1.89	6.57	1.90	6.46	1.92	6.36	1.94
						7	7.66	1.89	7.50	1.92	7.35	1.94	7.30	1.95	7.22	1.96	7.10	1.99	6.99	2.00
						10	8.33	1.95	8.16	1.98	8.00	2.01	7.93	2.02	7.86	2.03	7.74	2.05	7.63	2.07
						15	9.16	2.03	8.98	2.06	8.82	2.09	8.75	2.10	8.67	2.11	8.54	2.14	8.42	2.16
2000	2000	3500		7500	94%	-15	4.69	1.71	4.55	1.73	4.42	1.76	4.36	1.77	4.30	1.78	4.20	1.79	4.12	1.81
						-10	5.62	1.80	5.47	1.83	5.33	1.85	5.26	1.86	5.21	1.87	5.10	1.89	5.01	1.91
						-5	6.55	1.89	6.39	1.92	6.24	1.94	6.17	1.95	6.11	1.96	5.99	1.98	5.90	2.00
						0	7.48	1.98	7.31	2.01	7.16	2.03	7.08	2.04	7.02	2.06	6.89	2.08	6.79	2.10
						2	7.86	2.01	7.68	2.04	7.52	2.07	7.45	2.08	7.38	2.09	7.25	2.11	7.14	2.13
						7	8.61	2.08	8.42	2.11	8.25	2.14	8.20	2.15	8.10	2.17	7.97	2.19	7.85	2.21
						10	9.35	2.15	9.16	2.18	8.99	2.21	8.91	2.23	8.83	2.24	8.69	2.26	8.57	2.28
						15	10.29	2.24	10.09	2.27	9.91	2.30	9.82	2.31	9.74	2.33	9.59	2.35	9.46	2.38
2000	2000	5000		9000	113%	-15	4.93	1.70	4.78	1.73	4.64	1.75	4.58	1.76	4.52	1.77	4.42	1.79	4.34	1.80
						-10	5.91	1.79	5.75	1.82	5.60	1.84	5.53	1.85	5.47	1.86	5.36	1.88	5.27	1.90
						-5	6.89	1.88	6.72	1.91	6.56	1.93	6.49	1.94	6.42	1.95	6.30	1.97	6.20	1.99
						0	7.87	1.97	7.69	2.00	7.52	2.02	7.45	2.03	7.37	2.05	7.25	2.07	7.13	2.09
						2	8.26	2.00	8.07	2.03	7.91	2.06	7.83	2.07	7.76	2.08	7.62	2.10	7.51	2.12
						7	9.05	2.07	8.85	2.10	8.68	2.13	8.62	2.14	8.52	2.16	8.38	2.18	8.26	2.20
						10	9.83	2.14	9.63	2.17	9.45	2.20	9.36	2.21	9.28	2.23	9.14	2.25	9.01	2.27
						15	10.82	2.23	10.61	2.26	10.42	2.29	10.33	2.30	10.24	2.32	10.09	2.34	9.95	2.37

12. Capacity Table

Combination (Capacity Index)				Combination (Total)	Combination (%)	Outdoor Temperature (°C,DB)	Indoor Temperature(°C, DB)													
							14		16		18		20		21		22		24	
							TC(kW)	PI(kW)	TC(kW)	PI(kW)	TC(kW)	PI(kW)	TC(kW)	PI(kW)	TC(kW)	PI(kW)	TC(kW)	PI(kW)	TC(kW)	PI(kW)
2000	2000	6800	10800	135%	-15	5.01	1.71	4.85	1.73	4.71	1.76	4.65	1.77	4.59	1.78	4.49	1.79	4.40	1.81	
					-10	6.00	1.80	5.83	1.83	5.69	1.85	5.62	1.86	5.55	1.87	5.44	1.89	5.35	1.91	
					-5	6.99	1.89	6.82	1.92	6.66	1.94	6.59	1.95	6.52	1.96	6.40	1.98	6.29	2.00	
					0	7.99	1.98	7.80	2.01	7.64	2.03	7.56	2.04	7.49	2.06	7.35	2.08	7.24	2.10	
					2	8.39	2.01	8.20	2.04	8.03	2.07	7.95	2.08	7.87	2.09	7.74	2.11	7.62	2.13	
					7	9.18	2.08	8.99	2.11	8.81	2.14	8.75	2.15	8.65	2.17	8.51	2.19	8.38	2.21	
					10	9.98	2.15	9.78	2.18	9.59	2.21	9.51	2.23	9.42	2.24	9.27	2.26	9.14	2.28	
					15	10.98	2.24	10.77	2.27	10.57	2.30	10.48	2.31	10.40	2.33	10.24	2.35	10.10	2.38	
2000	2500	2500	7000	88%	-15	4.58	1.65	4.44	1.68	4.31	1.70	4.25	1.71	4.20	1.72	4.10	1.74	4.02	1.75	
					-10	5.49	1.74	5.33	1.77	5.20	1.79	5.14	1.80	5.08	1.81	4.97	1.83	4.89	1.84	
					-5	6.39	1.83	6.23	1.85	6.09	1.88	6.02	1.89	5.96	1.90	5.85	1.92	5.75	1.94	
					0	7.30	1.91	7.13	1.94	6.98	1.97	6.91	1.98	6.84	1.99	6.72	2.01	6.62	2.03	
					2	7.67	1.95	7.49	1.97	7.34	2.00	7.27	2.01	7.20	2.02	7.07	2.05	6.97	2.06	
					7	8.40	2.01	8.22	2.04	8.05	2.07	8.00	2.08	7.91	2.10	7.78	2.12	7.66	2.14	
					10	9.12	2.08	8.94	2.11	8.77	2.14	8.69	2.15	8.62	2.17	8.48	2.19	8.36	2.21	
					15	10.04	2.16	9.84	2.20	9.67	2.23	9.58	2.24	9.51	2.25	9.36	2.28	9.23	2.30	
2000	2500	3500	8000	100%	-15	4.88	1.67	4.73	1.69	4.59	1.72	4.53	1.73	4.48	1.74	4.37	1.75	4.29	1.77	
					-10	5.85	1.76	5.69	1.78	5.54	1.81	5.48	1.82	5.41	1.83	5.30	1.85	5.21	1.86	
					-5	6.82	1.84	6.65	1.87	6.49	1.90	6.42	1.91	6.36	1.92	6.24	1.94	6.13	1.95	
					0	7.79	1.93	7.61	1.96	7.44	1.98	7.37	2.00	7.30	2.01	7.17	2.03	7.06	2.05	
					2	8.17	1.96	7.99	1.99	7.82	2.02	7.75	2.03	7.68	2.04	7.54	2.07	7.43	2.08	
					7	8.95	2.03	8.76	2.06	8.59	2.09	8.53	2.10	8.43	2.12	8.29	2.14	8.17	2.16	
					10	9.73	2.10	9.53	2.13	9.35	2.16	9.27	2.17	9.19	2.19	9.04	2.21	8.91	2.23	
					15	10.70	2.18	10.50	2.22	10.31	2.25	10.22	2.26	10.14	2.27	9.98	2.30	9.84	2.32	
2000	2500	5000	9500	119%	-15	4.97	1.70	4.81	1.73	4.67	1.75	4.61	1.76	4.55	1.77	4.45	1.79	4.37	1.80	
					-10	5.95	1.79	5.79	1.82	5.64	1.84	5.57	1.85	5.51	1.86	5.40	1.88	5.30	1.90	
					-5	6.94	1.88	6.76	1.91	6.61	1.93	6.53	1.94	6.47	1.95	6.35	1.97	6.24	1.99	
					0	7.92	1.97	7.74	2.00	7.57	2.02	7.50	2.03	7.43	2.05	7.30	2.07	7.18	2.09	
					2	8.32	2.00	8.13	2.03	7.96	2.06	7.88	2.07	7.81	2.08	7.68	2.10	7.56	2.12	
					7	9.11	2.07	8.91	2.10	8.74	2.13	8.68	2.14	8.58	2.16	8.44	2.18	8.31	2.20	
					10	9.90	2.14	9.70	2.17	9.52	2.20	9.43	2.21	9.35	2.23	9.20	2.25	9.07	2.27	
					15	10.89	2.23	10.68	2.26	10.49	2.29	10.40	2.30	10.31	2.32	10.16	2.34	10.02	2.37	
2000	2500	6800	11300	141%	-15	5.32	1.79	5.16	1.82	5.01	1.84	4.94	1.85	4.88	1.86	4.77	1.88	4.68	1.89	
					-10	6.38	1.88	6.20	1.91	6.04	1.94	5.97	1.95	5.90	1.96	5.78	1.98	5.68	1.99	
					-5	7.43	1.98	7.25	2.00	7.08	2.03	7.00	2.04	6.93	2.05	6.80	2.08	6.69	2.09	
					0	8.49	2.07	8.29	2.10	8.12	2.13	8.03	2.14	7.96	2.15	7.82	2.17	7.70	2.19	
					2	8.91	2.10	8.71	2.14	8.53	2.16	8.45	2.18	8.37	2.19	8.22	2.21	8.10	2.23	
					7	9.76	2.18	9.55	2.21	9.36	2.24	9.30	2.25	9.19	2.27	9.04	2.29	8.91	2.31	
					10	10.61	2.25	10.39	2.28	10.20	2.31	10.10	2.33	10.02	2.34	9.86	2.37	9.72	2.39	
					15	11.67	2.34	11.44	2.38	11.24	2.41	11.14	2.42	11.05	2.44	10.88	2.46	10.73	2.49	
2000	3500	3500	9000	113%	-15	4.92	1.70	4.77	1.73	4.63	1.75	4.57	1.76	4.51	1.77	4.41	1.79	4.33	1.80	
					-10	5.90	1.79	5.73	1.82	5.59	1.84	5.52	1.85	5.46	1.86	5.35	1.88	5.25	1.90	
					-5	6.87	1.88	6.70	1.91	6.55	1.93	6.47	1.94	6.41	1.95	6.29	1.97	6.18	1.99	
					0	7.85	1.97	7.67	2.00	7.50	2.02	7.43	2.03	7.36	2.05	7.23	2.07	7.12	2.09	
					2	8.24	2.00	8.06	2.03	7.89	2.06	7.81	2.07	7.74	2.08	7.61	2.10	7.49	2.12	
					7	9.02	2.07	8.83	2.10	8.66	2.13	8.60	2.14	8.50	2.16	8.36	2.18	8.24	2.20	
					10	9.81	2.14	9.61	2.17	9.43	2.20	9.34	2.21	9.26	2.23	9.12	2.25	8.99	2.27	
					15	10.79	2.23	10.58	2.26	10.39	2.29	10.30	2.30	10.22	2.32	10.06	2.34	9.92	2.37	

12. Capacity Table

Combination (Capacity Index)				Combination (Total)	Combination (%)	Outdoor Temperature (°C, DB)	Indoor Temperature(°C, DB)													
							14		16		18		20		21		22		24	
							TC(kW)	PI(kW)	TC(kW)	PI(kW)	TC(kW)	PI(kW)	TC(kW)	PI(kW)	TC(kW)	PI(kW)	TC(kW)	PI(kW)	TC(kW)	PI(kW)
2000	3500	5000	10500	131%	-15	5.01	1.71	4.85	1.73	4.71	1.76	4.65	1.77	4.59	1.78	4.49	1.79	4.40	1.81	
					-10	6.00	1.80	5.83	1.83	5.69	1.85	5.62	1.86	5.55	1.87	5.44	1.89	5.35	1.91	
					-5	6.99	1.89	6.82	1.92	6.66	1.94	6.59	1.95	6.52	1.96	6.40	1.98	6.29	2.00	
					0	7.99	1.98	7.80	2.01	7.64	2.03	7.56	2.04	7.49	2.06	7.35	2.08	7.24	2.10	
					2	8.39	2.01	8.20	2.04	8.03	2.07	7.95	2.08	7.87	2.09	7.74	2.11	7.62	2.13	
					7	9.18	2.08	8.99	2.11	8.81	2.14	8.75	2.15	8.65	2.17	8.51	2.19	8.38	2.21	
					10	9.98	2.15	9.78	2.18	9.59	2.21	9.51	2.23	9.42	2.24	9.27	2.26	9.14	2.28	
2000	5000	5000	12000	150%	-15	5.32	1.79	5.16	1.82	5.01	1.84	4.94	1.85	4.88	1.86	4.77	1.88	4.68	1.89	
					-10	6.38	1.88	6.20	1.91	6.04	1.94	5.97	1.95	5.90	1.96	5.78	1.98	5.68	1.99	
					-5	7.43	1.98	7.25	2.00	7.08	2.03	7.00	2.04	6.93	2.05	6.80	2.08	6.69	2.09	
					0	8.49	2.07	8.29	2.10	8.12	2.13	8.03	2.14	7.96	2.15	7.82	2.17	7.70	2.19	
					2	8.91	2.10	8.71	2.14	8.53	2.16	8.45	2.18	8.37	2.19	8.22	2.21	8.10	2.23	
					7	9.76	2.18	9.55	2.21	9.36	2.24	9.30	2.25	9.19	2.27	9.04	2.29	8.91	2.31	
					10	10.61	2.25	10.39	2.28	10.20	2.31	10.10	2.33	10.02	2.34	9.86	2.37	9.72	2.39	
2500	2500	2500	7500	94%	-15	4.88	1.66	4.72	1.69	4.59	1.71	4.53	1.72	4.47	1.73	4.37	1.74	4.28	1.76	
					-10	5.84	1.75	5.68	1.77	5.54	1.80	5.47	1.81	5.41	1.82	5.30	1.84	5.21	1.85	
					-5	6.81	1.83	6.64	1.86	6.48	1.89	6.41	1.90	6.35	1.91	6.23	1.93	6.13	1.94	
					0	7.78	1.92	7.60	1.95	7.43	1.98	7.36	1.99	7.29	2.00	7.16	2.02	7.05	2.04	
					2	8.16	1.95	7.98	1.98	7.82	2.01	7.74	2.02	7.67	2.03	7.53	2.06	7.42	2.07	
					7	8.94	2.02	8.75	2.05	8.58	2.08	8.52	2.09	8.42	2.11	8.28	2.13	8.16	2.15	
					10	9.72	2.09	9.52	2.12	9.34	2.15	9.26	2.16	9.18	2.18	9.03	2.20	8.90	2.22	
2500	2500	3500	8500	106%	-15	4.92	1.67	4.76	1.69	4.63	1.72	4.56	1.73	4.51	1.74	4.40	1.75	4.32	1.77	
					-10	5.89	1.76	5.73	1.78	5.58	1.81	5.51	1.82	5.45	1.83	5.34	1.85	5.25	1.86	
					-5	6.86	1.84	6.69	1.87	6.54	1.90	6.47	1.91	6.40	1.92	6.28	1.94	6.18	1.95	
					0	7.84	1.93	7.66	1.96	7.50	1.98	7.42	2.00	7.35	2.01	7.22	2.03	7.11	2.05	
					2	8.23	1.96	8.05	1.99	7.88	2.02	7.80	2.03	7.73	2.04	7.60	2.07	7.48	2.08	
					7	9.01	2.03	8.82	2.06	8.65	2.09	8.59	2.10	8.49	2.12	8.35	2.14	8.23	2.16	
					10	9.80	2.10	9.60	2.13	9.42	2.16	9.33	2.17	9.25	2.19	9.11	2.21	8.98	2.23	
2500	2500	5000	10000	125%	-15	5.01	1.70	4.85	1.73	4.71	1.75	4.65	1.76	4.59	1.77	4.49	1.79	4.40	1.80	
					-10	6.00	1.79	5.83	1.82	5.69	1.84	5.62	1.85	5.55	1.86	5.44	1.88	5.35	1.90	
					-5	6.99	1.88	6.82	1.91	6.66	1.93	6.59	1.94	6.52	1.95	6.40	1.97	6.29	1.99	
					0	7.99	1.97	7.80	2.00	7.64	2.02	7.56	2.03	7.49	2.05	7.35	2.07	7.24	2.09	
					2	8.39	2.00	8.20	2.03	8.03	2.06	7.95	2.07	7.87	2.08	7.74	2.10	7.62	2.12	
					7	9.18	2.07	8.99	2.10	8.81	2.13	8.75	2.14	8.65	2.16	8.51	2.18	8.38	2.20	
					10	9.98	2.14	9.78	2.17	9.59	2.20	9.51	2.21	9.42	2.23	9.27	2.25	9.14	2.27	
2500	2500	6800	11800	148%	-15	5.32	1.79	5.16	1.82	5.01	1.84	4.94	1.85	4.88	1.86	4.77	1.88	4.68	1.89	
					-10	6.38	1.88	6.20	1.91	6.04	1.94	5.97	1.95	5.90	1.96	5.78	1.98	5.68	1.99	
					-5	7.43	1.98	7.25	2.00	7.08	2.03	7.00	2.04	6.93	2.05	6.80	2.08	6.69	2.09	
					0	8.49	2.07	8.29	2.10	8.12	2.13	8.03	2.14	7.96	2.15	7.82	2.17	7.70	2.19	
					2	8.91	2.10	8.71	2.14	8.53	2.16	8.45	2.18	8.37	2.19	8.22	2.21	8.10	2.23	
					7	9.76	2.18	9.55	2.21	9.36	2.24	9.30	2.25	9.19	2.27	9.04	2.29	8.91	2.31	
					10	10.61	2.25	10.39	2.28	10.20	2.31	10.10	2.33	10.02	2.34	9.86	2.37	9.72	2.39	
15	11.67	2.34	11.44	2.38	11.24	2.41	11.14	2.42	11.05	2.44	10.88	2.46	10.73	2.49						

12. Capacity Table

Combination (Capacity Index)				Combination (Total)	Combination (%)	Outdoor Temperature (°C,DB)	Indoor Temperature(°C, DB)													
							14		16		18		20		21		22		24	
							TC(kW)	PI(kW)	TC(kW)	PI(kW)	TC(kW)	PI(kW)	TC(kW)	PI(kW)	TC(kW)	PI(kW)	TC(kW)	PI(kW)	TC(kW)	PI(kW)
2500	3500	3500	9500	119%	-15	4.96	1.70	4.80	1.73	4.66	1.75	4.60	1.76	4.54	1.77	4.44	1.79	4.36	1.80	
					-10	5.94	1.79	5.77	1.82	5.63	1.84	5.56	1.85	5.50	1.86	5.39	1.88	5.29	1.90	
					-5	6.92	1.88	6.75	1.91	6.59	1.93	6.52	1.94	6.45	1.95	6.33	1.97	6.23	1.99	
					0	7.90	1.97	7.72	2.00	7.56	2.02	7.48	2.03	7.41	2.05	7.28	2.07	7.17	2.09	
					2	8.30	2.00	8.11	2.03	7.94	2.06	7.87	2.07	7.79	2.08	7.66	2.10	7.54	2.12	
					7	9.09	2.07	8.89	2.10	8.72	2.13	8.66	2.14	8.56	2.16	8.42	2.18	8.30	2.20	
					10	9.88	2.14	9.68	2.17	9.49	2.20	9.41	2.21	9.33	2.23	9.18	2.25	9.05	2.27	
					15	10.87	2.23	10.66	2.26	10.46	2.29	10.37	2.30	10.29	2.32	10.13	2.34	9.99	2.37	
2500	3500	5000	11000	138%	-15	5.32	1.71	5.16	1.73	5.01	1.76	4.94	1.77	4.88	1.78	4.77	1.79	4.68	1.81	
					-10	6.38	1.80	6.20	1.83	6.04	1.85	5.97	1.86	5.90	1.87	5.78	1.89	5.68	1.91	
					-5	7.43	1.89	7.25	1.92	7.08	1.94	7.00	1.95	6.93	1.96	6.80	1.98	6.69	2.00	
					0	8.49	1.98	8.29	2.01	8.12	2.03	8.03	2.04	7.96	2.06	7.82	2.08	7.70	2.10	
					2	8.91	2.01	8.71	2.04	8.53	2.07	8.45	2.08	8.37	2.09	8.22	2.11	8.10	2.13	
					7	9.76	2.08	9.55	2.11	9.36	2.14	9.30	2.15	9.19	2.17	9.04	2.19	8.91	2.21	
					10	10.61	2.15	10.39	2.18	10.20	2.21	10.10	2.23	10.02	2.24	9.86	2.26	9.72	2.28	
					15	11.67	2.24	11.44	2.27	11.24	2.30	11.14	2.31	11.05	2.33	10.88	2.35	10.73	2.38	
3500	3500	3500	10500	131%	-15	5.00	1.71	4.84	1.73	4.70	1.76	4.64	1.77	4.58	1.78	4.48	1.79	4.39	1.81	
					-10	5.99	1.80	5.82	1.83	5.67	1.85	5.60	1.86	5.54	1.87	5.43	1.89	5.33	1.91	
					-5	6.98	1.89	6.80	1.92	6.64	1.94	6.57	1.95	6.50	1.96	6.38	1.98	6.28	2.00	
					0	7.97	1.98	7.78	2.01	7.62	2.03	7.54	2.04	7.47	2.06	7.34	2.08	7.22	2.10	
					2	8.37	2.01	8.18	2.04	8.01	2.07	7.93	2.08	7.86	2.09	7.72	2.11	7.60	2.13	
					7	9.16	2.08	8.97	2.11	8.79	2.14	8.73	2.15	8.63	2.17	8.49	2.19	8.36	2.21	
					10	9.96	2.15	9.76	2.18	9.57	2.21	9.48	2.23	9.40	2.24	9.25	2.26	9.12	2.28	
					15	10.95	2.24	10.74	2.27	10.55	2.30	10.46	2.31	10.37	2.33	10.21	2.35	10.07	2.38	
3500	3500	5000	12000	150%	-15	5.32	1.73	5.16	1.76	5.01	1.78	4.94	1.79	4.88	1.80	4.77	1.82	4.68	1.83	
					-10	6.38	1.82	6.20	1.85	6.04	1.88	5.97	1.89	5.90	1.90	5.78	1.92	5.68	1.93	
					-5	7.43	1.91	7.25	1.94	7.08	1.97	7.00	1.98	6.93	1.99	6.80	2.01	6.69	2.03	
					0	8.49	2.00	8.29	2.03	8.12	2.06	8.03	2.07	7.96	2.08	7.82	2.11	7.70	2.12	
					2	8.91	2.04	8.71	2.07	8.53	2.10	8.45	2.11	8.37	2.12	8.22	2.14	8.10	2.16	
					7	9.76	2.11	9.55	2.14	9.36	2.17	9.30	2.18	9.19	2.20	9.04	2.22	8.91	2.24	
					10	10.61	2.18	10.39	2.21	10.20	2.24	10.10	2.26	10.02	2.27	9.86	2.29	9.72	2.32	
					15	11.67	2.27	11.44	2.30	11.24	2.33	11.14	2.35	11.05	2.36	10.88	2.39	10.73	2.41	
2000	2000	2000	2000	8000	100%	-15	4.88	1.67	4.72	1.69	4.59	1.72	4.53	1.73	4.47	1.74	4.37	1.75	4.28	1.77
						-10	5.84	1.76	5.68	1.78	5.54	1.81	5.47	1.82	5.41	1.83	5.30	1.85	5.21	1.86
						-5	6.81	1.84	6.64	1.87	6.48	1.90	6.41	1.91	6.35	1.92	6.23	1.94	6.13	1.95
						0	7.78	1.93	7.60	1.96	7.43	1.98	7.36	2.00	7.29	2.01	7.16	2.03	7.05	2.05
						2	8.16	1.96	7.98	1.99	7.82	2.02	7.74	2.03	7.67	2.04	7.53	2.07	7.42	2.08
						7	8.94	2.03	8.75	2.06	8.58	2.09	8.52	2.10	8.42	2.12	8.28	2.14	8.16	2.16
						10	9.72	2.10	9.52	2.13	9.34	2.16	9.26	2.17	9.18	2.19	9.03	2.21	8.90	2.23
						15	10.69	2.18	10.48	2.22	10.30	2.25	10.21	2.26	10.12	2.27	9.97	2.30	9.83	2.32
2000	2000	2000	2500	8500	106%	-15	4.91	1.67	4.76	1.69	4.62	1.72	4.56	1.73	4.50	1.74	4.40	1.75	4.32	1.77
						-10	5.88	1.76	5.72	1.78	5.57	1.81	5.51	1.82	5.45	1.83	5.34	1.85	5.24	1.86
						-5	6.86	1.84	6.68	1.87	6.53	1.90	6.46	1.91	6.39	1.92	6.27	1.94	6.17	1.95
						0	7.83	1.93	7.65	1.96	7.49	1.98	7.41	2.00	7.34	2.01	7.21	2.03	7.10	2.05
						2	8.22	1.96	8.04	1.99	7.87	2.02	7.79	2.03	7.72	2.04	7.59	2.07	7.47	2.08
						7	9.00	2.03	8.81	2.06	8.64	2.09	8.58	2.10	8.48	2.12	8.34	2.14	8.22	2.16
						10	9.79	2.10	9.59	2.13	9.41	2.16	9.32	2.17	9.24	2.19	9.09	2.21	8.97	2.23
						15	10.77	2.18	10.56	2.22	10.37	2.25	10.28	2.26	10.19	2.27	10.04	2.30	9.90	2.32

12. Capacity Table

Combination (Capacity Index)				Combination (Total)	Combination (%)	Outdoor Temperature (°C,DB)	Indoor Temperature(°C, DB)													
							14		16		18		20		21		22		24	
							TC(kW)	PI(kW)	TC(kW)	PI(kW)	TC(kW)	PI(kW)	TC(kW)	PI(kW)	TC(kW)	PI(kW)	TC(kW)	PI(kW)	TC(kW)	PI(kW)
2000	2000	2000	3500	9500	119%	-15	4.95	1.70	4.80	1.73	4.66	1.75	4.60	1.76	4.54	1.77	4.44	1.79	4.35	1.80
						-10	5.93	1.79	5.77	1.82	5.62	1.84	5.55	1.85	5.49	1.86	5.38	1.88	5.28	1.90
						-5	6.91	1.88	6.74	1.91	6.58	1.93	6.51	1.94	6.44	1.95	6.32	1.97	6.22	1.99
						0	7.90	1.97	7.71	2.00	7.55	2.02	7.47	2.03	7.40	2.05	7.27	2.07	7.16	2.09
						2	8.29	2.00	8.10	2.03	7.93	2.06	7.86	2.07	7.78	2.08	7.65	2.10	7.53	2.12
						7	9.08	2.07	8.88	2.10	8.71	2.13	8.65	2.14	8.55	2.16	8.41	2.18	8.29	2.20
						10	9.87	2.14	9.67	2.17	9.48	2.20	9.40	2.21	9.32	2.23	9.17	2.25	9.04	2.27
						15	10.85	2.23	10.64	2.26	10.45	2.29	10.36	2.30	10.28	2.32	10.12	2.34	9.98	2.37
2000	2000	2000	5000	11000	138%	-15	5.32	1.75	5.16	1.77	5.01	1.80	4.94	1.81	4.88	1.82	4.77	1.84	4.68	1.85
						-10	6.38	1.84	6.20	1.87	6.04	1.89	5.97	1.90	5.90	1.91	5.78	1.93	5.68	1.95
						-5	7.43	1.93	7.25	1.96	7.08	1.99	7.00	2.00	6.93	2.01	6.80	2.03	6.69	2.05
						0	8.49	2.02	8.29	2.05	8.12	2.08	8.03	2.09	7.96	2.10	7.82	2.13	7.70	2.14
						2	8.91	2.06	8.71	2.09	8.53	2.12	8.45	2.13	8.37	2.14	8.22	2.16	8.10	2.18
						7	9.76	2.13	9.55	2.16	9.36	2.19	9.30	2.20	9.19	2.22	9.04	2.24	8.91	2.26
						10	10.61	2.20	10.39	2.23	10.20	2.26	10.10	2.28	10.02	2.29	9.86	2.31	9.72	2.34
						15	11.67	2.29	11.44	2.32	11.24	2.35	11.14	2.37	11.05	2.38	10.88	2.41	10.73	2.43
2000	2000	2500	2500	9000	113%	-15	4.95	1.70	4.79	1.73	4.65	1.75	4.59	1.76	4.53	1.77	4.43	1.79	4.35	1.80
						-10	5.92	1.79	5.76	1.82	5.61	1.84	5.55	1.85	5.48	1.86	5.37	1.88	5.28	1.90
						-5	6.90	1.88	6.73	1.91	6.58	1.93	6.50	1.94	6.44	1.95	6.32	1.97	6.21	1.99
						0	7.89	1.97	7.70	2.00	7.54	2.02	7.46	2.03	7.39	2.05	7.26	2.07	7.15	2.09
						2	8.28	2.00	8.09	2.03	7.93	2.06	7.85	2.07	7.77	2.08	7.64	2.10	7.53	2.12
						7	9.07	2.07	8.87	2.10	8.70	2.13	8.64	2.14	8.54	2.16	8.40	2.18	8.28	2.20
						10	9.85	2.14	9.65	2.17	9.47	2.20	9.39	2.21	9.31	2.23	9.16	2.25	9.03	2.27
						15	10.84	2.23	10.63	2.26	10.44	2.29	10.35	2.30	10.27	2.32	10.11	2.34	9.97	2.37
2000	2000	2500	3500	10000	125%	-15	4.99	1.70	4.83	1.73	4.69	1.75	4.63	1.76	4.57	1.77	4.47	1.79	4.38	1.80
						-10	5.97	1.79	5.81	1.82	5.66	1.84	5.59	1.85	5.53	1.86	5.42	1.88	5.32	1.90
						-5	6.96	1.88	6.79	1.91	6.63	1.93	6.56	1.94	6.49	1.95	6.37	1.97	6.26	1.99
						0	7.95	1.97	7.77	2.00	7.60	2.02	7.52	2.03	7.45	2.05	7.32	2.07	7.21	2.09
						2	8.35	2.00	8.16	2.03	7.99	2.06	7.91	2.07	7.84	2.08	7.70	2.10	7.59	2.12
						7	9.14	2.07	8.95	2.10	8.77	2.13	8.71	2.14	8.61	2.16	8.47	2.18	8.34	2.20
						10	9.93	2.14	9.73	2.17	9.55	2.20	9.46	2.21	9.38	2.23	9.23	2.25	9.10	2.27
						15	10.93	2.23	10.72	2.26	10.52	2.29	10.43	2.30	10.35	2.32	10.19	2.34	10.05	2.37
2000	2000	2500	5000	11500	144%	-15	5.32	1.75	5.16	1.77	5.01	1.80	4.94	1.81	4.88	1.82	4.77	1.84	4.68	1.85
						-10	6.38	1.84	6.20	1.87	6.04	1.89	5.97	1.90	5.90	1.91	5.78	1.93	5.68	1.95
						-5	7.43	1.93	7.25	1.96	7.08	1.99	7.00	2.00	6.93	2.01	6.80	2.03	6.69	2.05
						0	8.49	2.02	8.29	2.05	8.12	2.08	8.03	2.09	7.96	2.10	7.82	2.13	7.70	2.14
						2	8.91	2.06	8.71	2.09	8.53	2.12	8.45	2.13	8.37	2.14	8.22	2.16	8.10	2.18
						7	9.76	2.13	9.55	2.16	9.36	2.19	9.30	2.20	9.19	2.22	9.04	2.24	8.91	2.26
						10	10.61	2.20	10.39	2.23	10.20	2.26	10.10	2.28	10.02	2.29	9.86	2.31	9.72	2.34
						15	11.67	2.29	11.44	2.32	11.24	2.35	11.14	2.37	11.05	2.38	10.88	2.41	10.73	2.43
2000	2000	3500	3500	11000	138%	-15	5.03	1.73	4.87	1.76	4.73	1.78	4.67	1.79	4.61	1.80	4.50	1.82	4.42	1.83
						-10	6.02	1.82	5.85	1.85	5.70	1.88	5.64	1.89	5.57	1.90	5.46	1.92	5.36	1.93
						-5	7.02	1.91	6.84	1.94	6.68	1.97	6.61	1.98	6.54	1.99	6.42	2.01	6.31	2.03
						0	8.01	2.00	7.83	2.03	7.66	2.06	7.58	2.07	7.51	2.08	7.38	2.11	7.27	2.12
						2	8.41	2.04	8.22	2.07	8.05	2.10	7.97	2.11	7.90	2.12	7.76	2.14	7.65	2.16
						7	9.21	2.11	9.02	2.14	8.84	2.17	8.78	2.18	8.68	2.20	8.54	2.22	8.41	2.24
						10	10.01	2.18	9.81	2.21	9.63	2.24	9.54	2.26	9.46	2.27	9.31	2.29	9.17	2.32
						15	11.02	2.27	10.80	2.30	10.61	2.33	10.52	2.35	10.43	2.36	10.27	2.39	10.13	2.41

12. Capacity Table

Combination (Capacity Index)				Combination (Total)	Combination (%)	Outdoor Temperature (°C,DB)	Indoor Temperature(°C, DB)													
							14		16		18		20		21		22		24	
							TC(kW)	PI(kW)	TC(kW)	PI(kW)	TC(kW)	PI(kW)	TC(kW)	PI(kW)	TC(kW)	PI(kW)	TC(kW)	PI(kW)	TC(kW)	PI(kW)
2000	2500	2500	2500	9500	119%	-15	4.97	1.70	4.82	1.73	4.68	1.75	4.62	1.76	4.56	1.77	4.46	1.79	4.37	1.80
						-10	5.96	1.79	5.79	1.82	5.65	1.84	5.58	1.85	5.52	1.86	5.40	1.88	5.31	1.90
						-5	6.94	1.88	6.77	1.91	6.61	1.93	6.54	1.94	6.47	1.95	6.35	1.97	6.25	1.99
						0	7.93	1.97	7.75	2.00	7.58	2.02	7.51	2.03	7.43	2.05	7.30	2.07	7.19	2.09
						2	8.33	2.00	8.14	2.03	7.97	2.06	7.89	2.07	7.82	2.08	7.69	2.10	7.57	2.12
						7	9.12	2.07	8.92	2.10	8.75	2.13	8.69	2.14	8.59	2.16	8.45	2.18	8.32	2.20
						10	9.91	2.14	9.71	2.17	9.53	2.20	9.44	2.21	9.36	2.23	9.21	2.25	9.08	2.27
						15	10.90	2.23	10.69	2.26	10.50	2.29	10.41	2.30	10.33	2.32	10.17	2.34	10.03	2.37
2000	2500	2500	3500	10500	131%	-15	5.02	1.73	4.86	1.76	4.72	1.78	4.65	1.79	4.60	1.80	4.49	1.82	4.41	1.83
						-10	6.01	1.82	5.84	1.85	5.69	1.88	5.62	1.89	5.56	1.90	5.45	1.92	5.35	1.93
						-5	7.00	1.91	6.83	1.94	6.67	1.97	6.59	1.98	6.53	1.99	6.40	2.01	6.30	2.03
						0	8.00	2.00	7.81	2.03	7.64	2.06	7.57	2.07	7.49	2.08	7.36	2.11	7.25	2.12
						2	8.39	2.04	8.21	2.07	8.04	2.10	7.96	2.11	7.88	2.12	7.75	2.14	7.63	2.16
						7	9.19	2.11	9.00	2.14	8.82	2.17	8.76	2.18	8.66	2.20	8.52	2.22	8.39	2.24
						10	9.99	2.18	9.79	2.21	9.60	2.24	9.52	2.26	9.44	2.27	9.29	2.29	9.15	2.32
						15	10.99	2.27	10.78	2.30	10.59	2.33	10.49	2.35	10.41	2.36	10.25	2.39	10.11	2.41
2000	2500	2500	5000	12000	150%	-15	5.32	1.79	5.16	1.82	5.01	1.84	4.94	1.85	4.88	1.86	4.77	1.88	4.68	1.89
						-10	6.38	1.88	6.20	1.91	6.04	1.94	5.97	1.95	5.90	1.96	5.78	1.98	5.68	1.99
						-5	7.43	1.98	7.25	2.00	7.08	2.03	7.00	2.04	6.93	2.05	6.80	2.08	6.69	2.09
						0	8.49	2.07	8.29	2.10	8.12	2.13	8.03	2.14	7.96	2.15	7.82	2.17	7.70	2.19
						2	8.91	2.10	8.71	2.14	8.53	2.16	8.45	2.18	8.37	2.19	8.22	2.21	8.10	2.23
						7	9.76	2.18	9.55	2.21	9.36	2.24	9.30	2.25	9.19	2.27	9.04	2.29	8.91	2.31
						10	10.61	2.25	10.39	2.28	10.20	2.31	10.10	2.33	10.02	2.34	9.86	2.37	9.72	2.39
						15	11.67	2.34	11.44	2.38	11.24	2.41	11.14	2.42	11.05	2.44	10.88	2.46	10.73	2.49
2000	2500	3500	3500	11500	144%	-15	5.32	1.75	5.16	1.77	5.01	1.80	4.94	1.81	4.88	1.82	4.77	1.84	4.68	1.85
						-10	6.38	1.84	6.20	1.87	6.04	1.89	5.97	1.90	5.90	1.91	5.78	1.93	5.68	1.95
						-5	7.43	1.93	7.25	1.96	7.08	1.99	7.00	2.00	6.93	2.01	6.80	2.03	6.69	2.05
						0	8.49	2.02	8.29	2.05	8.12	2.08	8.03	2.09	7.96	2.10	7.82	2.13	7.70	2.14
						2	8.91	2.06	8.71	2.09	8.53	2.12	8.45	2.13	8.37	2.14	8.22	2.16	8.10	2.18
						7	9.76	2.13	9.55	2.16	9.36	2.19	9.30	2.20	9.19	2.22	9.04	2.24	8.91	2.26
						10	10.61	2.20	10.39	2.23	10.20	2.26	10.10	2.28	10.02	2.29	9.86	2.31	9.72	2.34
						15	11.67	2.29	11.44	2.32	11.24	2.35	11.14	2.37	11.05	2.38	10.88	2.41	10.73	2.43
2500	2500	2500	2500	10000	125%	-15	5.02	1.70	4.86	1.73	4.72	1.75	4.65	1.76	4.60	1.77	4.49	1.79	4.41	1.80
						-10	6.01	1.79	5.84	1.82	5.69	1.84	5.62	1.85	5.56	1.86	5.45	1.88	5.35	1.90
						-5	7.00	1.88	6.83	1.91	6.67	1.93	6.59	1.94	6.53	1.95	6.40	1.97	6.30	1.99
						0	8.00	1.97	7.81	2.00	7.64	2.02	7.57	2.03	7.49	2.05	7.36	2.07	7.25	2.09
						2	8.39	2.00	8.21	2.03	8.04	2.06	7.96	2.07	7.88	2.08	7.75	2.10	7.63	2.12
						7	9.19	2.07	9.00	2.10	8.82	2.13	8.76	2.14	8.66	2.16	8.52	2.18	8.39	2.20
						10	9.99	2.14	9.79	2.17	9.60	2.20	9.52	2.21	9.44	2.23	9.29	2.25	9.15	2.27
						15	10.99	2.23	10.78	2.26	10.59	2.29	10.49	2.30	10.41	2.32	10.25	2.34	10.11	2.37
2500	2500	2500	3500	11000	138%	-15	5.32	1.73	5.16	1.76	5.01	1.78	4.94	1.79	4.88	1.80	4.77	1.82	4.68	1.83
						-10	6.38	1.82	6.20	1.85	6.04	1.88	5.97	1.89	5.90	1.90	5.78	1.92	5.68	1.93
						-5	7.43	1.91	7.25	1.94	7.08	1.97	7.00	1.98	6.93	1.99	6.80	2.01	6.69	2.03
						0	8.49	2.00	8.29	2.03	8.12	2.06	8.03	2.07	7.96	2.08	7.82	2.11	7.70	2.12
						2	8.91	2.04	8.71	2.07	8.53	2.10	8.45	2.11	8.37	2.12	8.22	2.14	8.10	2.16
						7	9.76	2.11	9.55	2.14	9.36	2.17	9.30	2.18	9.19	2.20	9.04	2.22	8.91	2.24
						10	10.61	2.18	10.39	2.21	10.20	2.24	10.10	2.26	10.02	2.27	9.86	2.29	9.72	2.32
						15	11.67	2.27	11.44	2.30	11.24	2.33	11.14	2.35	11.05	2.36	10.88	2.39	10.73	2.41

12. Capacity Table

Combination (Capacity Index)				Combination (Total)	Combination (%)	Outdoor Temperature (°C,DB)	Indoor Temperature(°C, DB)													
							14		16		18		20		21		22		24	
							TC(kW)	PI(kW)	TC(kW)	PI(kW)	TC(kW)	PI(kW)	TC(kW)	PI(kW)	TC(kW)	PI(kW)	TC(kW)	PI(kW)	TC(kW)	PI(kW)
2500	2500	3500	3500	12000	150%	-15	5.32	1.69	5.16	1.72	5.01	1.74	4.88	1.76	4.82	1.77	4.77	1.78	4.68	1.79
						-10	6.38	1.78	6.20	1.81	6.04	1.83	5.90	1.85	5.84	1.86	5.78	1.87	5.68	1.89
						-5	7.43	1.87	7.25	1.90	7.08	1.92	6.93	1.95	6.86	1.96	6.80	1.97	6.69	1.98
						0	8.49	1.96	8.29	1.99	8.12	2.01	7.96	2.04	7.88	2.05	7.82	2.06	7.70	2.08
						2	8.91	1.99	8.71	2.02	8.53	2.05	8.37	2.07	8.29	2.08	8.22	2.09	8.10	2.11
						7	9.97	2.08	9.76	2.11	9.57	2.14	9.30	2.13	9.32	2.18	9.24	2.19	9.11	2.21
						10	10.61	2.13	10.39	2.16	10.20	2.19	10.02	2.22	9.94	2.23	9.86	2.24	9.72	2.26
						15	11.67	2.22	11.44	2.25	11.24	2.28	11.05	2.31	10.96	2.32	10.88	2.33	10.73	2.35

NOTE

- Cooling capacity is based on 27°CDB / 19°CWB (indoor temperature), 35°CDB (outdoor temperature).
- Heating capacity is based on 20°CDB (indoor temperature), 7°CDB/6°CWB (outdoor temperature).
- The above is the value for connecting with the following indoor units.
 - 2000, 2500, 3500, 5000, 6800W class : AR07TXFCawkNEU, AR09TXFCawkNEU, AR12TXFCawkNEU, AR18TXEAAwkNEU, AR24TXEAAwkNEU
- Capacities are based on the following conditions:
 - Corresponding refrigerant piping length : 5m / - Level difference : 0m
- The total ability of connected a indoor unit is up to 12kW
- It is impossible to connect the indoor unit for one room only.
- This data is reference data for temperature capacity trend.

12. Capacity Table

12-6. AJ100TXJ5KG/EU

Cooling

Combination (Capacity Index)				Combination (Total)	Combination (%)	Outdoor Temperature (°C,DB)	Indoor Temperature(°C, WB)													
							14		16		18		19		20		22		24	
							TC(kW)	PI(kW)	TC(kW)	PI(kW)	TC(kW)	PI(kW)	TC(kW)	PI(kW)	TC(kW)	PI(kW)	TC(kW)	PI(kW)	TC(kW)	PI(kW)
2000				2000	20%	10	1.60	0.41	2.32	0.45	2.42	0.49	2.46	0.51	2.51	0.52	2.61	0.55	2.71	0.57
						12	1.60	0.42	2.28	0.47	2.38	0.51	2.43	0.52	2.48	0.54	2.57	0.56	2.67	0.58
						14	1.60	0.44	2.24	0.48	2.34	0.52	2.39	0.54	2.44	0.55	2.53	0.57	2.63	0.59
						16	1.60	0.46	2.21	0.50	2.30	0.54	2.35	0.55	2.40	0.56	2.50	0.59	2.59	0.60
						18	1.60	0.48	2.17	0.52	2.27	0.55	2.31	0.57	2.36	0.58	2.46	0.60	2.55	0.61
						20	1.60	0.50	2.13	0.54	2.23	0.57	2.28	0.58	2.32	0.59	2.42	0.61	2.52	0.62
						21	1.60	0.51	2.12	0.55	2.21	0.58	2.26	0.59	2.30	0.60	2.40	0.62	2.50	0.63
						23	1.60	0.53	2.08	0.57	2.17	0.59	2.22	0.61	2.27	0.62	2.36	0.63	2.46	0.64
						25	1.60	0.55	2.04	0.58	2.14	0.61	2.18	0.62	2.23	0.63	2.32	0.65	2.42	0.65
						27	1.60	0.57	2.01	0.60	2.10	0.63	2.15	0.64	2.19	0.65	2.29	0.66	2.38	0.67
						29	1.60	0.59	1.97	0.62	2.06	0.65	2.11	0.66	2.16	0.66	2.25	0.68	2.34	0.68
						31	1.60	0.61	1.94	0.64	2.03	0.66	2.07	0.67	2.12	0.68	2.21	0.69	2.30	0.69
						33	1.60	0.63	1.90	0.66	1.99	0.68	2.04	0.69	2.08	0.70	2.17	0.71	2.27	0.71
						35	1.60	0.65	1.86	0.68	1.95	0.70	2.00	0.70	2.04	0.72	2.14	0.72	2.23	0.72
						37	1.60	0.68	1.83	0.70	1.92	0.72	1.96	0.73	2.01	0.73	2.10	0.74	2.19	0.74
						39	1.60	0.70	1.79	0.72	1.88	0.74	1.93	0.75	1.97	0.75	2.06	0.75	2.15	0.75
42	1.58	0.73	1.74	0.75	1.83	0.77	1.87	0.77	1.92	0.78	2.01	0.78	2.10	0.77						
44	1.50	0.76	1.71	0.78	1.79	0.79	1.84	0.79	1.88	0.80	1.97	0.80	2.06	0.79						
46	1.46	0.78	1.67	0.80	1.76	0.81	1.80	0.81	1.84	0.81	1.93	0.81	2.02	0.81						
2500				2500	25%	10	2.00	0.46	2.90	0.52	3.02	0.56	3.08	0.58	3.14	0.60	3.26	0.63	3.39	0.65
						12	2.00	0.48	2.85	0.53	2.97	0.58	3.03	0.60	3.09	0.61	3.22	0.64	3.34	0.66
						14	2.00	0.51	2.80	0.55	2.93	0.60	2.99	0.61	3.05	0.63	3.17	0.65	3.29	0.67
						16	2.00	0.53	2.76	0.57	2.88	0.61	2.94	0.63	3.00	0.65	3.12	0.67	3.24	0.69
						18	2.00	0.55	2.71	0.59	2.83	0.63	2.89	0.65	2.95	0.66	3.07	0.68	3.19	0.70
						20	2.00	0.57	2.67	0.61	2.79	0.65	2.85	0.67	2.90	0.68	3.02	0.70	3.14	0.71
						21	2.00	0.58	2.64	0.62	2.76	0.66	2.82	0.67	2.88	0.69	3.00	0.71	3.12	0.72
						23	2.00	0.61	2.60	0.65	2.72	0.68	2.78	0.69	2.83	0.71	2.95	0.72	3.07	0.73
						25	2.00	0.63	2.55	0.67	2.67	0.70	2.73	0.71	2.79	0.72	2.91	0.74	3.02	0.75
						27	2.00	0.65	2.51	0.69	2.62	0.72	2.68	0.73	2.74	0.74	2.86	0.76	2.98	0.76
						29	2.00	0.68	2.46	0.71	2.58	0.74	2.64	0.75	2.69	0.76	2.81	0.77	2.93	0.78
						31	2.00	0.70	2.42	0.73	2.53	0.76	2.59	0.77	2.65	0.78	2.76	0.79	2.88	0.79
						33	2.00	0.72	2.37	0.76	2.49	0.78	2.54	0.79	2.60	0.80	2.72	0.81	2.83	0.81
						35	2.00	0.75	2.33	0.78	2.44	0.80	2.50	0.80	2.56	0.82	2.67	0.83	2.78	0.83
						37	2.00	0.77	2.29	0.80	2.40	0.82	2.45	0.83	2.51	0.84	2.62	0.84	2.74	0.84
						39	2.00	0.80	2.24	0.83	2.35	0.85	2.41	0.85	2.46	0.86	2.58	0.86	2.69	0.86
42	1.98	0.84	2.18	0.86	2.29	0.88	2.34	0.88	2.40	0.89	2.51	0.89	2.62	0.88						
44	1.88	0.86	2.13	0.89	2.24	0.90	2.30	0.91	2.35	0.91	2.46	0.91	2.57	0.90						
46	1.83	0.89	2.09	0.91	2.20	0.93	2.25	0.93	2.30	0.93	2.41	0.93	2.53	0.92						

12. Capacity Table

Combination (Capacity Index)				Combination (Total)	Combination (%)	Outdoor Temperature (°C, DB)	Indoor Temperature(°C, WB)													
							14		16		18		19		20		22		24	
							TC(kW)	PI(kW)	TC(kW)	PI(kW)	TC(kW)	PI(kW)	TC(kW)	PI(kW)	TC(kW)	PI(kW)	TC(kW)	PI(kW)	TC(kW)	PI(kW)
3500				3500	35%	10	2.80	0.62	4.06	0.69	4.23	0.75	4.31	0.77	4.40	0.80	4.57	0.84	4.74	0.87
						12	2.80	0.65	3.99	0.71	4.16	0.77	4.25	0.80	4.33	0.82	4.50	0.86	4.68	0.88
						14	2.80	0.68	3.93	0.74	4.10	0.80	4.18	0.82	4.26	0.84	4.44	0.88	4.61	0.90
						16	2.80	0.70	3.86	0.77	4.03	0.82	4.11	0.84	4.20	0.86	4.37	0.90	4.54	0.92
						18	2.80	0.73	3.80	0.79	3.96	0.84	4.05	0.87	4.13	0.89	4.30	0.92	4.47	0.94
						20	2.80	0.76	3.73	0.82	3.90	0.87	3.98	0.89	4.07	0.91	4.23	0.94	4.40	0.95
						21	2.80	0.78	3.70	0.84	3.87	0.88	3.95	0.90	4.03	0.92	4.20	0.95	4.37	0.96
						23	2.80	0.81	3.64	0.86	3.80	0.91	3.89	0.93	3.97	0.94	4.13	0.97	4.30	0.98
						25	2.80	0.84	3.58	0.89	3.74	0.93	3.82	0.95	3.90	0.97	4.07	0.99	4.23	1.00
						27	2.80	0.87	3.51	0.92	3.67	0.96	3.76	0.98	3.84	0.99	4.00	1.01	4.17	1.02
						29	2.80	0.90	3.45	0.95	3.61	0.99	3.69	1.00	3.77	1.02	3.93	1.03	4.10	1.04
						31	2.80	0.94	3.39	0.98	3.55	1.02	3.63	1.03	3.71	1.04	3.87	1.06	4.03	1.06
						33	2.80	0.97	3.32	1.01	3.48	1.04	3.56	1.06	3.64	1.07	3.80	1.08	3.97	1.08
						35	2.80	1.00	3.26	1.04	3.42	1.07	3.50	1.07	3.58	1.09	3.74	1.10	3.90	1.10
						37	2.80	1.03	3.20	1.07	3.36	1.10	3.43	1.11	3.51	1.12	3.67	1.13	3.83	1.13
						39	2.80	1.07	3.14	1.11	3.29	1.13	3.37	1.14	3.45	1.15	3.61	1.15	3.77	1.15
						42	2.77	1.12	3.05	1.15	3.20	1.18	3.28	1.18	3.35	1.19	3.51	1.19	3.67	1.18
44	2.63	1.16	2.98	1.19	3.14	1.21	3.21	1.21	3.29	1.22	3.45	1.22	3.60	1.21						
46	2.56	1.19	2.92	1.22	3.07	1.24	3.15	1.24	3.23	1.25	3.38	1.24	3.54	1.23						
5000				5000	50%	10	4.00	0.87	5.79	0.97	6.04	1.05	6.16	1.09	6.28	1.12	6.53	1.17	6.78	1.21
						12	4.00	0.91	5.70	1.00	5.94	1.08	6.07	1.12	6.19	1.15	6.43	1.20	6.68	1.24
						14	4.00	0.95	5.61	1.04	5.85	1.12	5.97	1.15	6.09	1.18	6.34	1.23	6.58	1.26
						16	4.00	0.99	5.52	1.08	5.76	1.15	5.88	1.18	6.00	1.21	6.24	1.25	6.48	1.29
						18	4.00	1.03	5.43	1.11	5.66	1.18	5.78	1.21	5.90	1.24	6.14	1.28	6.39	1.31
						20	4.00	1.07	5.34	1.15	5.57	1.22	5.69	1.25	5.81	1.27	6.05	1.31	6.29	1.34
						21	4.00	1.09	5.29	1.17	5.53	1.24	5.64	1.27	5.76	1.29	6.00	1.33	6.24	1.35
						23	4.00	1.13	5.20	1.21	5.43	1.27	5.55	1.30	5.67	1.32	5.91	1.36	6.14	1.38
						25	4.00	1.18	5.11	1.25	5.34	1.31	5.46	1.33	5.57	1.36	5.81	1.39	6.05	1.40
						27	4.00	1.22	5.02	1.29	5.25	1.35	5.37	1.37	5.48	1.39	5.72	1.42	5.95	1.43
						29	4.00	1.27	4.93	1.33	5.16	1.39	5.27	1.41	5.39	1.42	5.62	1.45	5.86	1.46
						31	4.00	1.31	4.84	1.38	5.07	1.42	5.18	1.44	5.30	1.46	5.53	1.48	5.76	1.49
						33	4.00	1.36	4.75	1.42	4.98	1.46	5.09	1.48	5.20	1.50	5.43	1.51	5.66	1.52
						35	4.00	1.40	4.66	1.46	4.89	1.50	5.00	1.50	5.11	1.53	5.34	1.55	5.57	1.55
						37	4.00	1.45	4.57	1.50	4.79	1.54	4.91	1.56	5.02	1.57	5.25	1.58	5.47	1.58
						39	4.00	1.50	4.48	1.55	4.70	1.59	4.82	1.60	4.93	1.61	5.15	1.62	5.38	1.61
						42	3.95	1.57	4.35	1.62	4.57	1.65	4.68	1.66	4.79	1.67	5.01	1.67	5.24	1.66
44	3.75	1.62	4.26	1.66	4.48	1.69	4.59	1.70	4.70	1.71	4.92	1.71	5.14	1.69						
46	3.65	1.67	4.18	1.71	4.39	1.73	4.50	1.74	4.61	1.75	4.83	1.74	5.05	1.73						

12. Capacity Table

Combination (Capacity Index)				Combination (Total)	Combination (%)	Outdoor Temperature (°C, DB)	Indoor Temperature(°C, WB)													
							14		16		18		19		20		22		24	
							TC(kW)	PI(kW)	TC(kW)	PI(kW)	TC(kW)	PI(kW)	TC(kW)	PI(kW)	TC(kW)	PI(kW)	TC(kW)	PI(kW)	TC(kW)	PI(kW)
6800				6800	68%	10	5.44	1.26	7.88	1.40	8.21	1.53	8.38	1.58	8.54	1.63	8.88	1.71	9.22	1.77
						12	5.44	1.32	7.75	1.46	8.08	1.57	8.25	1.62	8.42	1.67	8.75	1.74	9.08	1.80
						14	5.44	1.38	7.63	1.51	7.96	1.62	8.12	1.67	8.29	1.71	8.62	1.78	8.95	1.83
						16	5.44	1.44	7.50	1.56	7.83	1.67	7.99	1.72	8.16	1.76	8.49	1.82	8.82	1.87
						18	5.44	1.50	7.38	1.62	7.70	1.72	7.87	1.77	8.03	1.80	8.36	1.86	8.69	1.91
						20	5.44	1.56	7.26	1.67	7.58	1.77	7.74	1.81	7.90	1.85	8.23	1.91	8.55	1.94
						21	5.44	1.59	7.19	1.70	7.51	1.80	7.68	1.84	7.84	1.87	8.16	1.93	8.49	1.96
						23	5.44	1.65	7.07	1.76	7.39	1.85	7.55	1.89	7.71	1.92	8.03	1.97	8.36	2.00
						25	5.44	1.71	6.95	1.82	7.26	1.90	7.42	1.94	7.58	1.97	7.90	2.01	8.22	2.04
						27	5.44	1.78	6.83	1.88	7.14	1.96	7.30	1.99	7.46	2.02	7.77	2.06	8.09	2.08
						29	5.44	1.84	6.70	1.94	7.01	2.01	7.17	2.05	7.33	2.07	7.64	2.11	7.96	2.12
						31	5.44	1.91	6.58	2.00	6.89	2.07	7.05	2.10	7.20	2.12	7.52	2.15	7.83	2.16
						33	5.44	1.97	6.46	2.06	6.77	2.13	6.92	2.15	7.08	2.17	7.39	2.20	7.70	2.21
						35	5.44	2.04	6.34	2.12	6.64	2.19	6.80	2.18	6.95	2.23	7.26	2.25	7.57	2.25
						37	5.44	2.11	6.22	2.19	6.52	2.24	6.67	2.27	6.83	2.28	7.13	2.30	7.45	2.29
						39	5.44	2.18	6.10	2.25	6.40	2.30	6.55	2.32	6.70	2.34	7.01	2.35	7.32	2.34
42	5.37	2.28	5.92	2.35	6.22	2.40	6.37	2.41	6.52	2.42	6.82	2.43	7.12	2.41						
44	5.10	2.35	5.80	2.42	6.09	2.46	6.24	2.47	6.39	2.48	6.69	2.48	7.00	2.46						
46	4.96	2.43	5.68	2.48	5.97	2.52	6.12	2.53	6.27	2.54	6.57	2.53	6.87	2.51						
2000	2000			4000	40%	10	3.53	0.89	4.99	0.91	5.08	0.93	5.14	0.94	5.20	0.95	5.35	0.97	5.52	0.99
						12	3.53	0.91	4.85	0.93	4.95	0.95	5.01	0.96	5.08	0.97	5.23	0.99	5.41	1.01
						14	3.53	0.93	4.72	0.95	4.83	0.97	4.89	0.98	4.96	0.99	5.12	1.01	5.31	1.03
						16	3.53	0.95	4.60	0.98	4.71	1.00	4.78	1.01	4.85	1.02	5.02	1.04	5.21	1.06
						18	3.53	0.98	4.48	1.00	4.60	1.02	4.67	1.03	4.75	1.04	4.92	1.06	5.12	1.08
						20	3.53	1.00	4.36	1.02	4.49	1.05	4.57	1.06	4.65	1.07	4.83	1.09	5.03	1.11
						21	3.53	1.02	4.31	1.04	4.44	1.06	4.52	1.07	4.60	1.08	4.78	1.10	4.99	1.12
						23	3.53	1.04	4.20	1.06	4.34	1.08	4.42	1.09	4.51	1.10	4.70	1.12	4.91	1.14
						25	3.53	1.07	4.10	1.09	4.25	1.11	4.33	1.12	4.42	1.13	4.62	1.15	4.84	1.17
						27	3.53	1.10	4.01	1.12	4.16	1.14	4.25	1.15	4.34	1.16	4.55	1.18	4.78	1.20
						29	3.53	1.12	3.92	1.14	4.08	1.17	4.17	1.18	4.27	1.19	4.48	1.21	4.72	1.22
						31	3.53	1.15	3.84	1.17	4.01	1.19	4.10	1.20	4.20	1.21	4.42	1.23	4.66	1.25
						33	3.53	1.18	3.76	1.20	3.94	1.22	4.03	1.23	4.13	1.24	4.36	1.26	4.61	1.28
						35	3.53	1.21	3.69	1.23	3.87	1.25	4.00	1.26	4.08	1.27	4.31	1.29	4.57	1.31
						37	3.53	1.24	3.62	1.26	3.81	1.28	3.91	1.29	4.02	1.30	4.26	1.32	4.53	1.34
						39	3.53	1.27	3.56	1.29	3.76	1.31	3.86	1.32	3.98	1.33	4.22	1.35	4.49	1.37
42	3.53	1.32	3.48	1.34	3.69	1.36	3.80	1.37	3.92	1.38	4.17	1.40	4.46	1.42						
44	3.53	1.35	3.44	1.38	3.65	1.40	3.76	1.41	3.89	1.41	4.15	1.43	4.44	1.45						
46	3.53	1.39	3.39	1.41	3.61	1.43	3.73	1.44	3.86	1.45	4.13	1.47	4.42	1.48						

12. Capacity Table

Combination (Capacity Index)				Combination (Total)	Combination (%)	Outdoor Temperature (°C,DB)	Indoor Temperature(°C, WB)													
							14		16		18		19		20		22		24	
							TC(kW)	PI(kW)	TC(kW)	PI(kW)	TC(kW)	PI(kW)	TC(kW)	PI(kW)	TC(kW)	PI(kW)	TC(kW)	PI(kW)	TC(kW)	PI(kW)
2000	2500			4500	45%	10	3.98	0.98	5.61	1.01	5.72	1.03	5.78	1.04	5.85	1.06	6.01	1.08	6.21	1.10
						12	3.98	1.01	5.46	1.03	5.57	1.06	5.64	1.07	5.71	1.08	5.89	1.10	6.09	1.12
						14	3.98	1.03	5.31	1.06	5.43	1.08	5.50	1.09	5.58	1.11	5.76	1.13	5.97	1.15
						16	3.98	1.06	5.17	1.08	5.30	1.11	5.38	1.12	5.46	1.13	5.65	1.15	5.86	1.17
						18	3.98	1.09	5.04	1.11	5.17	1.13	5.25	1.15	5.34	1.16	5.53	1.18	5.76	1.20
						20	3.98	1.11	4.91	1.14	5.05	1.16	5.14	1.17	5.23	1.19	5.43	1.21	5.66	1.23
						21	3.98	1.13	4.85	1.15	5.00	1.18	5.08	1.19	5.17	1.20	5.38	1.22	5.62	1.24
						23	3.98	1.16	4.73	1.18	4.89	1.21	4.98	1.22	5.07	1.23	5.29	1.25	5.53	1.27
						25	3.98	1.19	4.62	1.21	4.78	1.23	4.87	1.25	4.98	1.26	5.20	1.28	5.45	1.30
						27	3.98	1.22	4.51	1.24	4.68	1.26	4.78	1.28	4.88	1.29	5.11	1.31	5.37	1.33
						29	3.98	1.25	4.41	1.27	4.59	1.30	4.69	1.31	4.80	1.32	5.04	1.34	5.30	1.36
						31	3.98	1.28	4.32	1.30	4.51	1.33	4.61	1.34	4.72	1.35	4.97	1.37	5.24	1.39
						33	3.98	1.31	4.23	1.34	4.43	1.36	4.54	1.37	4.65	1.38	4.90	1.40	5.19	1.42
						35	3.98	1.35	4.15	1.37	4.35	1.39	4.50	1.40	4.59	1.41	4.85	1.44	5.14	1.46
						37	3.98	1.38	4.08	1.40	4.29	1.43	4.40	1.44	4.53	1.45	4.80	1.47	5.09	1.49
						39	3.98	1.41	4.01	1.44	4.23	1.46	4.35	1.47	4.48	1.48	4.75	1.50	5.06	1.52
42	3.98	1.47	3.92	1.49	4.15	1.51	4.27	1.52	4.41	1.54	4.70	1.56	5.01	1.58						
44	3.98	1.50	3.87	1.53	4.10	1.55	4.23	1.56	4.37	1.57	4.67	1.59	4.99	1.61						
46	3.98	1.54	3.82	1.57	4.07	1.59	4.20	1.60	4.34	1.61	4.64	1.63	4.98	1.65						
2000	3500			5500	55%	10	4.86	1.23	6.86	1.26	6.99	1.29	7.06	1.31	7.15	1.32	7.35	1.35	7.59	1.37
						12	4.86	1.26	6.67	1.29	6.81	1.32	6.89	1.34	6.98	1.35	7.19	1.38	7.44	1.40
						14	4.86	1.29	6.49	1.32	6.64	1.35	6.73	1.37	6.82	1.38	7.04	1.41	7.30	1.44
						16	4.86	1.32	6.32	1.36	6.48	1.39	6.57	1.40	6.67	1.41	6.90	1.44	7.16	1.47
						18	4.86	1.36	6.16	1.39	6.32	1.42	6.42	1.43	6.53	1.45	6.76	1.47	7.04	1.50
						20	4.86	1.39	6.00	1.42	6.18	1.45	6.28	1.47	6.39	1.48	6.64	1.51	6.92	1.54
						21	4.86	1.41	5.92	1.44	6.11	1.47	6.21	1.48	6.32	1.50	6.58	1.53	6.86	1.55
						23	4.86	1.45	5.78	1.48	5.97	1.51	6.08	1.52	6.20	1.53	6.46	1.56	6.76	1.59
						25	4.86	1.48	5.64	1.51	5.84	1.54	5.96	1.56	6.08	1.57	6.35	1.60	6.66	1.62
						27	4.86	1.52	5.51	1.55	5.72	1.58	5.84	1.59	5.97	1.61	6.25	1.64	6.57	1.66
						29	4.86	1.56	5.39	1.59	5.61	1.62	5.74	1.63	5.87	1.65	6.16	1.67	6.48	1.70
						31	4.86	1.60	5.28	1.63	5.51	1.66	5.64	1.67	5.77	1.69	6.07	1.71	6.41	1.74
						33	4.86	1.64	5.17	1.67	5.41	1.70	5.54	1.71	5.69	1.73	5.99	1.75	6.34	1.78
						35	4.86	1.68	5.07	1.71	5.32	1.74	5.50	1.75	5.61	1.77	5.92	1.79	6.28	1.82
						37	4.86	1.72	4.98	1.75	5.24	1.78	5.38	1.80	5.53	1.81	5.86	1.84	6.23	1.86
						39	4.86	1.77	4.90	1.80	5.17	1.83	5.31	1.84	5.47	1.85	5.81	1.88	6.18	1.90
42	4.86	1.83	4.79	1.86	5.07	1.89	5.22	1.91	5.39	1.92	5.74	1.95	6.13	1.97						
44	4.86	1.88	4.72	1.91	5.02	1.94	5.17	1.95	5.34	1.96	5.70	1.99	6.10	2.02						
46	4.86	1.93	4.67	1.96	4.97	1.98	5.13	2.00	5.30	2.01	5.68	2.04	6.08	2.06						

12. Capacity Table

Combination (Capacity Index)				Combination (Total)	Combination (%)	Outdoor Temperature (°C, DB)	Indoor Temperature(°C, WB)													
							14		16		18		19		20		22		24	
							TC(kW)	PI(kW)	TC(kW)	PI(kW)	TC(kW)	PI(kW)	TC(kW)	PI(kW)	TC(kW)	PI(kW)	TC(kW)	PI(kW)	TC(kW)	PI(kW)
2000	5000			7000	70%	10	6.19	1.54	8.73	1.58	8.89	1.62	8.99	1.63	9.10	1.65	9.36	1.69	9.66	1.72
						12	6.19	1.58	8.49	1.62	8.67	1.65	8.77	1.67	8.89	1.69	9.15	1.72	9.47	1.76
						14	6.19	1.62	8.26	1.66	8.45	1.69	8.56	1.71	8.68	1.73	8.96	1.76	9.29	1.80
						16	6.19	1.66	8.04	1.70	8.24	1.73	8.36	1.75	8.49	1.77	8.78	1.80	9.12	1.84
						18	6.19	1.70	7.83	1.74	8.05	1.78	8.17	1.79	8.31	1.81	8.61	1.85	8.96	1.88
						20	6.19	1.74	7.64	1.78	7.86	1.82	7.99	1.84	8.13	1.85	8.45	1.89	8.81	1.92
						21	6.19	1.77	7.54	1.80	7.77	1.84	7.90	1.86	8.05	1.88	8.37	1.91	8.74	1.94
						23	6.19	1.81	7.36	1.85	7.60	1.89	7.74	1.90	7.89	1.92	8.22	1.95	8.60	1.99
						25	6.19	1.86	7.18	1.89	7.44	1.93	7.58	1.95	7.74	1.97	8.08	2.00	8.47	2.03
						27	6.19	1.90	7.02	1.94	7.29	1.98	7.44	2.00	7.60	2.01	7.96	2.05	8.36	2.08
						29	6.19	1.95	6.86	1.99	7.14	2.03	7.30	2.04	7.47	2.06	7.84	2.09	8.25	2.13
						31	6.19	2.00	6.72	2.04	7.01	2.08	7.17	2.09	7.35	2.11	7.73	2.14	8.15	2.18
						33	6.19	2.05	6.58	2.09	6.89	2.13	7.06	2.14	7.24	2.16	7.63	2.19	8.07	2.23
						35	6.19	2.11	6.46	2.14	6.77	2.18	7.00	2.19	7.13	2.21	7.54	2.25	7.99	2.28
						37	6.19	2.16	6.34	2.20	6.67	2.23	6.85	2.25	7.04	2.27	7.46	2.30	7.92	2.33
						39	6.19	2.21	6.24	2.25	6.58	2.28	6.76	2.30	6.96	2.32	7.39	2.35	7.87	2.38
42	6.19	2.30	6.09	2.33	6.45	2.37	6.65	2.39	6.86	2.40	7.30	2.43	7.80	2.47						
44	6.19	2.35	6.01	2.39	6.38	2.43	6.59	2.44	6.80	2.46	7.26	2.49	7.76	2.52						
46	6.19	2.41	5.94	2.45	6.32	2.48	6.53	2.50	6.75	2.52	7.22	2.55	7.74	2.58						
2000	6800			8800	88%	10	7.13	1.79	10.06	1.84	10.25	1.88	10.37	1.90	10.49	1.92	10.79	1.96	11.13	2.00
						12	7.13	1.84	9.79	1.88	9.99	1.93	10.11	1.95	10.25	1.97	10.55	2.01	10.91	2.05
						14	7.13	1.88	9.52	1.93	9.74	1.97	9.87	1.99	10.01	2.01	10.33	2.05	10.71	2.09
						16	7.13	1.93	9.27	1.98	9.50	2.02	9.64	2.04	9.79	2.06	10.12	2.10	10.51	2.14
						18	7.13	1.98	9.03	2.02	9.28	2.07	9.42	2.09	9.58	2.11	9.93	2.15	10.33	2.19
						20	7.13	2.03	8.80	2.07	9.06	2.12	9.21	2.14	9.38	2.16	9.74	2.20	10.15	2.24
						21	7.13	2.06	8.69	2.10	8.96	2.14	9.11	2.16	9.28	2.18	9.65	2.22	10.07	2.26
						23	7.13	2.11	8.48	2.15	8.76	2.19	8.92	2.22	9.09	2.24	9.48	2.28	9.91	2.31
						25	7.13	2.16	8.28	2.21	8.58	2.25	8.74	2.27	8.92	2.29	9.32	2.33	9.77	2.37
						27	7.13	2.22	8.09	2.26	8.40	2.30	8.57	2.32	8.76	2.34	9.17	2.38	9.64	2.42
						29	7.13	2.27	7.91	2.32	8.24	2.36	8.42	2.38	8.61	2.40	9.04	2.44	9.51	2.48
						31	7.13	2.33	7.75	2.37	8.08	2.42	8.27	2.44	8.47	2.46	8.91	2.50	9.40	2.53
						33	7.13	2.39	7.59	2.43	7.94	2.48	8.13	2.50	8.34	2.52	8.80	2.55	9.30	2.59
						35	7.13	2.45	7.44	2.49	7.81	2.54	8.07	2.55	8.23	2.58	8.69	2.61	9.21	2.65
						37	7.13	2.51	7.31	2.56	7.69	2.60	7.90	2.62	8.12	2.64	8.60	2.68	9.13	2.71
						39	7.13	2.58	7.19	2.62	7.58	2.66	7.80	2.68	8.03	2.70	8.52	2.74	9.07	2.78
42	7.13	2.67	7.03	2.72	7.44	2.76	7.67	2.78	7.90	2.80	8.42	2.83	8.99	2.87						
44	7.13	2.74	6.93	2.78	7.36	2.82	7.59	2.84	7.84	2.86	8.37	2.90	8.95	2.94						
46	7.13	2.81	6.85	2.85	7.29	2.89	7.53	2.91	7.78	2.93	8.33	2.97	8.92	3.00						

12. Capacity Table

Combination (Capacity Index)				Combination (Total)	Combination (%)	Outdoor Temperature (°C,DB)	Indoor Temperature(°C, WB)													
							14		16		18		19		20		22		24	
							TC(kW)	PI(kW)	TC(kW)	PI(kW)	TC(kW)	PI(kW)	TC(kW)	PI(kW)	TC(kW)	PI(kW)	TC(kW)	PI(kW)	TC(kW)	PI(kW)
2500	2500			5000	50%	10	4.42	1.12	6.23	1.15	6.35	1.18	6.42	1.19	6.50	1.21	6.68	1.23	6.90	1.26
						12	4.42	1.15	6.06	1.18	6.19	1.21	6.27	1.22	6.35	1.23	6.54	1.26	6.76	1.28
						14	4.42	1.18	5.90	1.21	6.04	1.24	6.12	1.25	6.20	1.26	6.40	1.29	6.63	1.31
						16	4.42	1.21	5.75	1.24	5.89	1.27	5.97	1.28	6.06	1.29	6.27	1.32	6.51	1.34
						18	4.42	1.24	5.60	1.27	5.75	1.30	5.84	1.31	5.93	1.32	6.15	1.35	6.40	1.37
						20	4.42	1.27	5.45	1.30	5.62	1.33	5.71	1.34	5.81	1.35	6.03	1.38	6.29	1.40
						21	4.42	1.29	5.39	1.32	5.55	1.34	5.65	1.36	5.75	1.37	5.98	1.40	6.24	1.42
						23	4.42	1.32	5.25	1.35	5.43	1.38	5.53	1.39	5.63	1.40	5.87	1.43	6.14	1.45
						25	4.42	1.36	5.13	1.38	5.31	1.41	5.42	1.42	5.53	1.44	5.77	1.46	6.05	1.49
						27	4.42	1.39	5.01	1.42	5.20	1.45	5.31	1.46	5.43	1.47	5.68	1.50	5.97	1.52
						29	4.42	1.43	4.90	1.45	5.10	1.48	5.21	1.49	5.33	1.51	5.60	1.53	5.89	1.55
						31	4.42	1.46	4.80	1.49	5.01	1.52	5.12	1.53	5.25	1.54	5.52	1.57	5.82	1.59
						33	4.42	1.50	4.70	1.53	4.92	1.55	5.04	1.57	5.17	1.58	5.45	1.60	5.76	1.63
						35	4.42	1.54	4.61	1.57	4.84	1.59	5.00	1.60	5.10	1.62	5.39	1.64	5.71	1.66
						37	4.42	1.58	4.53	1.60	4.76	1.63	4.89	1.64	5.03	1.65	5.33	1.68	5.66	1.70
						39	4.42	1.62	4.45	1.64	4.70	1.67	4.83	1.68	4.97	1.69	5.28	1.72	5.62	1.74
42	4.42	1.68	4.35	1.70	4.61	1.73	4.75	1.74	4.90	1.75	5.22	1.78	5.57	1.80						
44	4.42	1.72	4.30	1.75	4.56	1.77	4.70	1.78	4.86	1.80	5.18	1.82	5.55	1.84						
46	4.42	1.76	4.24	1.79	4.52	1.81	4.67	1.83	4.82	1.84	5.16	1.86	5.53	1.89						
2500	3500			6000	60%	10	5.30	1.29	7.48	1.33	7.62	1.36	7.71	1.37	7.80	1.39	8.02	1.42	8.28	1.45
						12	5.30	1.33	7.28	1.36	7.43	1.39	7.52	1.40	7.62	1.42	7.85	1.45	8.11	1.48
						14	5.30	1.36	7.08	1.39	7.24	1.42	7.34	1.44	7.44	1.45	7.68	1.48	7.96	1.51
						16	5.30	1.39	6.89	1.43	7.07	1.46	7.17	1.47	7.28	1.49	7.53	1.52	7.81	1.54
						18	5.30	1.43	6.72	1.46	6.90	1.49	7.00	1.51	7.12	1.52	7.38	1.55	7.68	1.58
						20	5.30	1.46	6.55	1.50	6.74	1.53	6.85	1.54	6.97	1.56	7.24	1.59	7.55	1.61
						21	5.30	1.48	6.46	1.52	6.66	1.55	6.78	1.56	6.90	1.58	7.17	1.60	7.49	1.63
						23	5.30	1.52	6.31	1.55	6.51	1.58	6.63	1.60	6.76	1.61	7.05	1.64	7.37	1.67
						25	5.30	1.56	6.16	1.59	6.38	1.62	6.50	1.64	6.63	1.65	6.93	1.68	7.26	1.71
						27	5.30	1.60	6.02	1.63	6.25	1.66	6.37	1.68	6.51	1.69	6.82	1.72	7.16	1.75
						29	5.30	1.64	5.88	1.67	6.12	1.70	6.26	1.72	6.40	1.73	6.72	1.76	7.07	1.79
						31	5.30	1.68	5.76	1.71	6.01	1.74	6.15	1.76	6.30	1.77	6.62	1.80	6.99	1.83
						33	5.30	1.72	5.64	1.76	5.90	1.79	6.05	1.80	6.20	1.82	6.54	1.84	6.92	1.87
						35	5.30	1.77	5.54	1.80	5.81	1.83	6.00	1.84	6.12	1.86	6.46	1.89	6.85	1.91
						37	5.30	1.81	5.44	1.84	5.72	1.87	5.87	1.89	6.04	1.90	6.39	1.93	6.79	1.96
						39	5.30	1.86	5.34	1.89	5.64	1.92	5.80	1.93	5.97	1.95	6.34	1.98	6.74	2.00
42	5.30	1.93	5.22	1.96	5.53	1.99	5.70	2.00	5.88	2.02	6.26	2.05	6.68	2.07						
44	5.30	1.98	5.15	2.01	5.47	2.04	5.64	2.05	5.83	2.07	6.22	2.09	6.65	2.12						
46	5.30	2.03	5.09	2.06	5.42	2.09	5.60	2.10	5.79	2.11	6.19	2.14	6.63	2.17						

12. Capacity Table

Combination (Capacity Index)				Combination (Total)	Combination (%)	Outdoor Temperature (°C, DB)	Indoor Temperature(°C, WB)													
							14		16		18		19		20		22		24	
							TC(kW)	PI(kW)	TC(kW)	PI(kW)	TC(kW)	PI(kW)	TC(kW)	PI(kW)	TC(kW)	PI(kW)	TC(kW)	PI(kW)	TC(kW)	PI(kW)
2500	5000			7500	75%	10	6.63	1.64	9.35	1.69	9.53	1.73	9.63	1.75	9.75	1.76	10.02	1.80	10.34	1.84
						12	6.63	1.69	9.10	1.73	9.29	1.77	9.40	1.79	9.52	1.81	9.81	1.84	10.14	1.88
						14	6.63	1.73	8.85	1.77	9.05	1.81	9.17	1.83	9.30	1.85	9.60	1.88	9.95	1.92
						16	6.63	1.77	8.62	1.81	8.83	1.85	8.96	1.87	9.10	1.89	9.41	1.93	9.77	1.96
						18	6.63	1.82	8.39	1.86	8.62	1.90	8.76	1.92	8.90	1.94	9.22	1.97	9.60	2.01
						20	6.63	1.86	8.18	1.90	8.42	1.94	8.56	1.96	8.71	1.98	9.05	2.02	9.44	2.05
						21	6.63	1.89	8.08	1.93	8.33	1.97	8.47	1.99	8.62	2.00	8.97	2.04	9.36	2.08
						23	6.63	1.93	7.88	1.98	8.14	2.01	8.29	2.03	8.45	2.05	8.81	2.09	9.21	2.12
						25	6.63	1.98	7.70	2.02	7.97	2.06	8.12	2.08	8.29	2.10	8.66	2.14	9.08	2.17
						27	6.63	2.03	7.52	2.07	7.81	2.11	7.97	2.13	8.14	2.15	8.52	2.19	8.95	2.22
						29	6.63	2.09	7.35	2.13	7.65	2.17	7.82	2.18	8.00	2.20	8.40	2.24	8.84	2.27
						31	6.63	2.14	7.20	2.18	7.51	2.22	7.69	2.24	7.87	2.25	8.28	2.29	8.74	2.33
						33	6.63	2.19	7.05	2.23	7.38	2.27	7.56	2.29	7.75	2.31	8.17	2.34	8.64	2.38
						35	6.63	2.25	6.92	2.29	7.26	2.33	7.50	2.34	7.64	2.36	8.08	2.40	8.56	2.43
						37	6.63	2.31	6.79	2.35	7.15	2.38	7.34	2.40	7.55	2.42	7.99	2.46	8.49	2.49
						39	6.63	2.36	6.68	2.40	7.05	2.44	7.25	2.46	7.46	2.48	7.92	2.51	8.43	2.55
42	6.63	2.45	6.53	2.49	6.91	2.53	7.12	2.55	7.35	2.57	7.83	2.60	8.35	2.63						
44	6.63	2.51	6.44	2.55	6.84	2.59	7.06	2.61	7.28	2.63	7.78	2.66	8.32	2.70						
46	6.63	2.58	6.37	2.62	6.78	2.65	7.00	2.67	7.23	2.69	7.74	2.72	8.29	2.76						
2500	6800			9300	93%	10	7.20	1.79	10.16	1.84	10.35	1.88	10.47	1.90	10.60	1.92	10.89	1.96	11.24	2.00
						12	7.20	1.84	9.88	1.88	10.09	1.93	10.21	1.95	10.35	1.97	10.66	2.01	11.02	2.05
						14	7.20	1.88	9.62	1.93	9.84	1.97	9.97	1.99	10.11	2.01	10.44	2.05	10.81	2.09
						16	7.20	1.93	9.36	1.98	9.60	2.02	9.74	2.04	9.89	2.06	10.22	2.10	10.61	2.14
						18	7.20	1.98	9.12	2.02	9.37	2.07	9.51	2.09	9.67	2.11	10.02	2.15	10.43	2.19
						20	7.20	2.03	8.89	2.07	9.15	2.12	9.30	2.14	9.47	2.16	9.83	2.20	10.25	2.24
						21	7.20	2.06	8.78	2.10	9.05	2.14	9.20	2.16	9.37	2.18	9.74	2.22	10.17	2.26
						23	7.20	2.11	8.57	2.15	8.85	2.19	9.01	2.22	9.19	2.24	9.57	2.28	10.01	2.31
						25	7.20	2.16	8.36	2.21	8.66	2.25	8.83	2.27	9.01	2.29	9.41	2.33	9.87	2.37
						27	7.20	2.22	8.17	2.26	8.48	2.30	8.66	2.32	8.85	2.34	9.26	2.38	9.73	2.42
						29	7.20	2.27	7.99	2.32	8.32	2.36	8.50	2.38	8.69	2.40	9.12	2.44	9.61	2.48
						31	7.20	2.33	7.82	2.37	8.16	2.42	8.35	2.44	8.55	2.46	9.00	2.50	9.49	2.53
						33	7.20	2.39	7.66	2.43	8.02	2.48	8.22	2.50	8.42	2.52	8.88	2.55	9.39	2.59
						35	7.20	2.45	7.52	2.49	7.89	2.54	8.15	2.55	8.31	2.58	8.78	2.61	9.30	2.65
						37	7.20	2.51	7.38	2.56	7.77	2.60	7.98	2.62	8.20	2.64	8.69	2.68	9.22	2.71
						39	7.20	2.58	7.26	2.62	7.66	2.66	7.87	2.68	8.10	2.70	8.61	2.74	9.16	2.78
42	7.20	2.67	7.10	2.72	7.51	2.76	7.74	2.78	7.98	2.80	8.50	2.83	9.08	2.87						
44	7.20	2.74	7.00	2.78	7.43	2.82	7.67	2.84	7.92	2.86	8.45	2.90	9.04	2.94						
46	7.20	2.81	6.92	2.85	7.36	2.89	7.60	2.91	7.86	2.93	8.41	2.97	9.01	3.00						

12. Capacity Table

Combination (Capacity Index)				Combination (Total)	Combination (%)	Outdoor Temperature (°C, DB)	Indoor Temperature(°C, WB)													
							14		16		18		19		20		22		24	
							TC(kW)	PI(kW)	TC(kW)	PI(kW)	TC(kW)	PI(kW)	TC(kW)	PI(kW)	TC(kW)	PI(kW)	TC(kW)	PI(kW)	TC(kW)	PI(kW)
3500	3500			7000	70%	10	6.19	1.50	8.73	1.53	8.89	1.57	8.99	1.59	9.10	1.61	9.36	1.64	9.66	1.67
						12	6.19	1.53	8.49	1.57	8.67	1.61	8.77	1.63	8.89	1.64	9.15	1.68	9.47	1.71
						14	6.19	1.57	8.26	1.61	8.45	1.65	8.56	1.66	8.68	1.68	8.96	1.72	9.29	1.75
						16	6.19	1.61	8.04	1.65	8.24	1.69	8.36	1.70	8.49	1.72	8.78	1.75	9.12	1.79
						18	6.19	1.65	7.83	1.69	8.05	1.73	8.17	1.74	8.31	1.76	8.61	1.79	8.96	1.83
						20	6.19	1.70	7.64	1.73	7.86	1.77	7.99	1.79	8.13	1.80	8.45	1.84	8.81	1.87
						21	6.19	1.72	7.54	1.75	7.77	1.79	7.90	1.81	8.05	1.82	8.37	1.86	8.74	1.89
						23	6.19	1.76	7.36	1.80	7.60	1.83	7.74	1.85	7.89	1.87	8.22	1.90	8.60	1.93
						25	6.19	1.81	7.18	1.84	7.44	1.88	7.58	1.90	7.74	1.91	8.08	1.95	8.47	1.98
						27	6.19	1.85	7.02	1.89	7.29	1.92	7.44	1.94	7.60	1.96	7.96	1.99	8.36	2.02
						29	6.19	1.90	6.86	1.94	7.14	1.97	7.30	1.99	7.47	2.00	7.84	2.04	8.25	2.07
						31	6.19	1.95	6.72	1.98	7.01	2.02	7.17	2.04	7.35	2.05	7.73	2.09	8.15	2.12
						33	6.19	2.00	6.58	2.03	6.89	2.07	7.06	2.08	7.24	2.10	7.63	2.13	8.07	2.17
						35	6.19	2.05	6.46	2.08	6.77	2.12	7.00	2.13	7.13	2.15	7.54	2.18	7.99	2.22
						37	6.19	2.10	6.34	2.14	6.67	2.17	6.85	2.19	7.04	2.20	7.46	2.24	7.92	2.27
						39	6.19	2.15	6.24	2.19	6.58	2.22	6.76	2.24	6.96	2.26	7.39	2.29	7.87	2.32
42	6.19	2.23	6.09	2.27	6.45	2.30	6.65	2.32	6.86	2.34	7.30	2.37	7.80	2.40						
44	6.19	2.29	6.01	2.32	6.38	2.36	6.59	2.38	6.80	2.39	7.26	2.42	7.76	2.45						
46	6.19	2.35	5.94	2.38	6.32	2.42	6.53	2.43	6.75	2.45	7.22	2.48	7.74	2.51						
3500	5000			8500	85%	10	7.09	1.75	10.00	1.79	10.19	1.84	10.30	1.86	10.43	1.88	10.72	1.92	11.06	1.96
						12	7.09	1.79	9.73	1.84	9.93	1.88	10.05	1.90	10.18	1.92	10.49	1.96	10.85	2.00
						14	7.09	1.84	9.47	1.88	9.68	1.92	9.81	1.95	9.95	1.97	10.27	2.01	10.64	2.04
						16	7.09	1.89	9.22	1.93	9.45	1.97	9.58	1.99	9.73	2.01	10.06	2.05	10.45	2.09
						18	7.09	1.93	8.98	1.98	9.22	2.02	9.36	2.04	9.52	2.06	9.86	2.10	10.26	2.14
						20	7.09	1.98	8.75	2.03	9.01	2.07	9.16	2.09	9.32	2.11	9.68	2.15	10.09	2.18
						21	7.09	2.01	8.64	2.05	8.90	2.09	9.06	2.11	9.22	2.13	9.59	2.17	10.01	2.21
						23	7.09	2.06	8.43	2.10	8.71	2.14	8.87	2.16	9.04	2.18	9.42	2.22	9.85	2.26
						25	7.09	2.11	8.23	2.15	8.52	2.20	8.69	2.22	8.87	2.24	9.26	2.27	9.71	2.31
						27	7.09	2.16	8.04	2.21	8.35	2.25	8.52	2.27	8.71	2.29	9.12	2.33	9.58	2.36
						29	7.09	2.22	7.86	2.26	8.18	2.30	8.36	2.32	8.56	2.34	8.98	2.38	9.45	2.42
						31	7.09	2.28	7.70	2.32	8.03	2.36	8.22	2.38	8.42	2.40	8.85	2.44	9.34	2.47
						33	7.09	2.33	7.54	2.38	7.89	2.42	8.08	2.44	8.29	2.46	8.74	2.49	9.24	2.53
						35	7.09	2.39	7.40	2.44	7.76	2.48	8.02	2.49	8.17	2.52	8.64	2.55	9.15	2.59
						37	7.09	2.45	7.27	2.50	7.64	2.54	7.85	2.56	8.07	2.58	8.55	2.61	9.08	2.65
						39	7.09	2.52	7.14	2.56	7.53	2.60	7.75	2.62	7.98	2.64	8.47	2.67	9.01	2.71
42	7.09	2.61	6.98	2.65	7.39	2.69	7.62	2.71	7.86	2.73	8.37	2.77	8.93	2.80						
44	7.09	2.68	6.89	2.72	7.31	2.76	7.55	2.78	7.79	2.80	8.32	2.83	8.89	2.87						
46	7.09	2.74	6.81	2.78	7.25	2.82	7.48	2.84	7.73	2.86	8.28	2.90	8.87	2.93						

12. Capacity Table

Combination (Capacity Index)				Combination (Total)	Combination (%)	Outdoor Temperature (°C,DB)	Indoor Temperature(°C, WB)													
							14		16		18		19		20		22		24	
							TC(kW)	PI(kW)	TC(kW)	PI(kW)	TC(kW)	PI(kW)	TC(kW)	PI(kW)	TC(kW)	PI(kW)	TC(kW)	PI(kW)	TC(kW)	PI(kW)
3500	6800			10300	103%	10	7.59	1.90	10.71	1.94	10.91	1.99	11.03	2.01	11.17	2.04	11.48	2.08	11.85	2.12
						12	7.59	1.94	10.42	1.99	10.63	2.04	10.76	2.06	10.91	2.08	11.23	2.13	11.62	2.17
						14	7.59	1.99	10.14	2.04	10.37	2.09	10.51	2.11	10.66	2.13	11.00	2.17	11.40	2.22
						16	7.59	2.04	9.87	2.09	10.12	2.14	10.26	2.16	10.42	2.18	10.78	2.22	11.19	2.27
						18	7.59	2.10	9.61	2.14	9.88	2.19	10.03	2.21	10.19	2.23	10.57	2.28	10.99	2.32
						20	7.59	2.15	9.37	2.20	9.65	2.24	9.81	2.26	9.98	2.29	10.37	2.33	10.81	2.37
						21	7.59	2.18	9.25	2.22	9.54	2.27	9.70	2.29	9.88	2.31	10.27	2.35	10.72	2.40
						23	7.59	2.23	9.03	2.28	9.33	2.32	9.50	2.35	9.68	2.37	10.09	2.41	10.55	2.45
						25	7.59	2.29	8.81	2.34	9.13	2.38	9.31	2.40	9.50	2.42	9.92	2.47	10.40	2.51
						27	7.59	2.35	8.61	2.39	8.94	2.44	9.13	2.46	9.32	2.48	9.76	2.52	10.26	2.56
						29	7.59	2.41	8.42	2.45	8.77	2.50	8.96	2.52	9.16	2.54	9.62	2.58	10.13	2.62
						31	7.59	2.47	8.24	2.51	8.60	2.56	8.80	2.58	9.02	2.60	9.48	2.64	10.01	2.68
						33	7.59	2.53	8.08	2.58	8.45	2.62	8.66	2.64	8.88	2.66	9.36	2.71	9.90	2.74
						35	7.59	2.60	7.92	2.64	8.31	2.69	8.59	2.70	8.76	2.73	9.25	2.77	9.81	2.81
						37	7.59	2.66	7.78	2.71	8.19	2.75	8.41	2.77	8.64	2.79	9.16	2.83	9.72	2.87
						39	7.59	2.73	7.65	2.77	8.07	2.82	8.30	2.84	8.54	2.86	9.07	2.90	9.65	2.94
42	7.59	2.83	7.48	2.88	7.92	2.92	8.16	2.94	8.41	2.96	8.96	3.00	9.57	3.04						
44	7.59	2.90	7.38	2.95	7.83	2.99	8.08	3.01	8.34	3.03	8.91	3.07	9.53	3.11						
46	7.59	2.97	7.29	3.02	7.76	3.06	8.02	3.08	8.28	3.10	8.86	3.14	9.50	3.18						
5000	5000			10000	100%	10	7.56	1.86	10.67	1.91	10.87	1.95	10.99	1.98	11.13	2.00	11.44	2.04	11.81	2.08
						12	7.56	1.91	10.38	1.96	10.60	2.00	10.73	2.02	10.87	2.04	11.19	2.09	11.58	2.13
						14	7.56	1.96	10.10	2.00	10.33	2.05	10.47	2.07	10.62	2.09	10.96	2.13	11.36	2.17
						16	7.56	2.01	9.84	2.05	10.08	2.10	10.23	2.12	10.38	2.14	10.74	2.18	11.15	2.22
						18	7.56	2.06	9.58	2.10	9.84	2.15	9.99	2.17	10.16	2.19	10.53	2.23	10.95	2.27
						20	7.56	2.11	9.34	2.16	9.61	2.20	9.77	2.22	9.94	2.24	10.33	2.28	10.77	2.32
						21	7.56	2.14	9.22	2.18	9.50	2.23	9.67	2.25	9.84	2.27	10.23	2.31	10.68	2.35
						23	7.56	2.19	9.00	2.24	9.29	2.28	9.46	2.30	9.65	2.32	10.05	2.36	10.52	2.40
						25	7.56	2.25	8.78	2.29	9.10	2.34	9.27	2.36	9.46	2.38	9.89	2.42	10.36	2.46
						27	7.56	2.30	8.58	2.35	8.91	2.39	9.09	2.41	9.29	2.44	9.73	2.48	10.22	2.52
						29	7.56	2.36	8.39	2.41	8.74	2.45	8.93	2.47	9.13	2.49	9.58	2.53	10.09	2.57
						31	7.56	2.42	8.22	2.47	8.57	2.51	8.77	2.53	8.98	2.55	9.45	2.59	9.97	2.63
						33	7.56	2.48	8.05	2.53	8.42	2.57	8.63	2.59	8.85	2.61	9.33	2.66	9.87	2.69
						35	7.56	2.55	7.90	2.59	8.28	2.64	8.56	2.65	8.72	2.68	9.22	2.72	9.77	2.76
						37	7.56	2.61	7.76	2.66	8.16	2.70	8.38	2.72	8.61	2.74	9.12	2.78	9.69	2.82
						39	7.56	2.68	7.63	2.72	8.04	2.76	8.27	2.79	8.51	2.81	9.04	2.85	9.62	2.88
42	7.56	2.78	7.45	2.82	7.89	2.87	8.13	2.89	8.38	2.91	8.93	2.95	9.53	2.98						
44	7.56	2.85	7.35	2.89	7.81	2.93	8.05	2.96	8.31	2.98	8.88	3.01	9.49	3.05						
46	7.56	2.92	7.27	2.96	7.73	3.00	7.99	3.03	8.26	3.05	8.83	3.08	9.46	3.12						

12. Capacity Table

Combination (Capacity Index)				Combination (Total)	Combination (%)	Outdoor Temperature (°C, DB)	Indoor Temperature(°C, WB)													
							14		16		18		19		20		22		24	
							TC(kW)	PI(kW)	TC(kW)	PI(kW)	TC(kW)	PI(kW)	TC(kW)	PI(kW)	TC(kW)	PI(kW)	TC(kW)	PI(kW)	TC(kW)	PI(kW)
5000	6800			11800	118%	10	7.79	1.94	11.00	1.99	11.20	2.04	11.33	2.06	11.47	2.08	11.79	2.13	12.17	2.17
						12	7.79	1.99	10.70	2.04	10.92	2.08	11.05	2.11	11.20	2.13	11.53	2.17	11.93	2.22
						14	7.79	2.04	10.41	2.09	10.65	2.13	10.79	2.16	10.94	2.18	11.29	2.22	11.70	2.26
						16	7.79	2.09	10.13	2.14	10.39	2.18	10.54	2.21	10.70	2.23	11.06	2.27	11.49	2.32
						18	7.79	2.14	9.87	2.19	10.14	2.24	10.30	2.26	10.47	2.28	10.85	2.33	11.29	2.37
						20	7.79	2.20	9.62	2.25	9.91	2.29	10.07	2.31	10.25	2.34	10.64	2.38	11.10	2.42
						21	7.79	2.22	9.50	2.27	9.79	2.32	9.96	2.34	10.14	2.36	10.55	2.41	11.01	2.45
						23	7.79	2.28	9.27	2.33	9.58	2.38	9.75	2.40	9.94	2.42	10.36	2.46	10.84	2.50
						25	7.79	2.34	9.05	2.39	9.37	2.43	9.55	2.46	9.75	2.48	10.19	2.52	10.68	2.56
						27	7.79	2.40	8.84	2.45	9.18	2.49	9.37	2.52	9.57	2.54	10.02	2.58	10.53	2.62
						29	7.79	2.46	8.65	2.51	9.00	2.55	9.20	2.58	9.41	2.60	9.88	2.64	10.40	2.68
						31	7.79	2.52	8.47	2.57	8.83	2.62	9.04	2.64	9.26	2.66	9.74	2.70	10.27	2.74
						33	7.79	2.59	8.29	2.63	8.68	2.68	8.89	2.70	9.12	2.72	9.61	2.77	10.17	2.81
						35	7.79	2.65	8.14	2.70	8.54	2.74	8.82	2.76	8.99	2.79	9.50	2.83	10.07	2.87
						37	7.79	2.72	7.99	2.77	8.40	2.81	8.63	2.83	8.87	2.85	9.40	2.90	9.98	2.94
						39	7.79	2.79	7.86	2.83	8.29	2.88	8.52	2.90	8.77	2.92	9.31	2.96	9.91	3.00
42	7.79	2.89	7.68	2.94	8.13	2.98	8.38	3.01	8.64	3.03	9.20	3.07	9.82	3.11						
44	7.79	2.97	7.58	3.01	8.04	3.06	8.30	3.08	8.57	3.10	9.15	3.14	9.78	3.18						
46	7.79	3.04	7.49	3.09	7.97	3.13	8.23	3.15	8.51	3.17	9.10	3.21	9.75	3.25						
6800	6800			13600	136%	10	10.23	1.99	10.63	2.03	11.04	2.07	11.25	2.09	11.46	2.11	11.88	2.15	12.30	2.20
						12	10.05	2.04	10.46	2.08	10.87	2.12	11.07	2.15	11.28	2.17	11.70	2.21	12.13	2.25
						14	9.88	2.09	10.28	2.14	10.69	2.18	10.90	2.20	11.11	2.22	11.53	2.26	11.95	2.31
						16	9.70	2.15	10.10	2.19	10.51	2.23	10.72	2.26	10.93	2.28	11.35	2.32	11.78	2.36
						18	9.52	2.20	9.93	2.25	10.34	2.29	10.55	2.31	10.76	2.33	11.18	2.38	11.61	2.42
						20	9.35	2.26	9.75	2.31	10.17	2.35	10.37	2.37	10.58	2.39	11.01	2.44	11.44	2.48
						21	9.26	2.29	9.67	2.33	10.08	2.38	10.29	2.40	10.50	2.42	10.92	2.47	11.35	2.51
						23	9.09	2.35	9.49	2.39	9.91	2.44	10.11	2.46	10.32	2.48	10.75	2.53	11.18	2.57
						25	8.91	2.41	9.32	2.45	9.73	2.50	9.94	2.52	10.15	2.54	10.58	2.59	11.01	2.63
						27	8.74	2.47	9.14	2.51	9.56	2.56	9.77	2.58	9.98	2.60	10.41	2.65	10.84	2.69
						29	8.56	2.53	8.97	2.58	9.39	2.62	9.60	2.64	9.81	2.67	10.24	2.71	10.67	2.76
						31	8.39	2.59	8.80	2.64	9.21	2.68	9.43	2.71	9.64	2.73	10.07	2.77	10.50	2.82
						33	8.22	2.66	8.63	2.70	9.04	2.75	9.25	2.77	9.47	2.79	9.90	2.84	10.33	2.88
						35	8.04	2.72	8.45	2.77	8.87	2.81	9.10	2.83	9.30	2.86	9.73	2.90	10.16	2.95
						37	7.87	2.79	8.28	2.83	8.70	2.88	8.91	2.90	9.13	2.93	9.56	2.97	9.99	3.02
						39	7.70	2.85	8.11	2.90	8.53	2.95	8.74	2.97	8.96	2.99	9.39	3.04	9.83	3.09
42	7.44	2.96	7.86	3.00	8.28	3.05	8.49	3.07	8.70	3.10	9.14	3.14	9.57	3.19						
44	7.27	3.02	7.69	3.07	8.11	3.12	8.32	3.14	8.54	3.17	8.97	3.21	9.41	3.26						
46	7.10	3.09	7.52	3.14	7.94	3.19	8.15	3.21	8.37	3.24	8.80	3.28	9.24	3.33						

12. Capacity Table

Combination (Capacity Index)				Combination (Total)	Combination (%)	Outdoor Temperature (°C,DB)	Indoor Temperature(°C, WB)													
							14		16		18		19		20		22		24	
							TC(kW)	PI(kW)	TC(kW)	PI(kW)	TC(kW)	PI(kW)	TC(kW)	PI(kW)	TC(kW)	PI(kW)	TC(kW)	PI(kW)	TC(kW)	PI(kW)
2000	2000	2000		6000	60%	10	5.30	1.31	7.48	1.35	7.62	1.38	7.71	1.39	7.80	1.41	8.02	1.44	8.28	1.47
						12	5.30	1.35	7.28	1.38	7.43	1.41	7.52	1.43	7.62	1.44	7.85	1.47	8.11	1.50
						14	5.30	1.38	7.08	1.41	7.24	1.45	7.34	1.46	7.44	1.48	7.68	1.51	7.96	1.53
						16	5.30	1.42	6.89	1.45	7.07	1.48	7.17	1.50	7.28	1.51	7.53	1.54	7.81	1.57
						18	5.30	1.45	6.72	1.48	6.90	1.52	7.00	1.53	7.12	1.55	7.38	1.58	7.68	1.60
						20	5.30	1.49	6.55	1.52	6.74	1.55	6.85	1.57	6.97	1.58	7.24	1.61	7.55	1.64
						21	5.30	1.51	6.46	1.54	6.66	1.57	6.78	1.59	6.90	1.60	7.17	1.63	7.49	1.66
						23	5.30	1.55	6.31	1.58	6.51	1.61	6.63	1.62	6.76	1.64	7.05	1.67	7.37	1.70
						25	5.30	1.59	6.16	1.62	6.38	1.65	6.50	1.66	6.63	1.68	6.93	1.71	7.26	1.74
						27	5.30	1.63	6.02	1.66	6.25	1.69	6.37	1.70	6.51	1.72	6.82	1.75	7.16	1.78
						29	5.30	1.67	5.88	1.70	6.12	1.73	6.26	1.75	6.40	1.76	6.72	1.79	7.07	1.82
						31	5.30	1.71	5.76	1.74	6.01	1.77	6.15	1.79	6.30	1.80	6.62	1.83	6.99	1.86
						33	5.30	1.75	5.64	1.78	5.90	1.82	6.05	1.83	6.20	1.85	6.54	1.87	6.92	1.90
						35	5.30	1.80	5.54	1.83	5.81	1.86	6.00	1.87	6.12	1.89	6.46	1.92	6.85	1.94
						37	5.30	1.84	5.44	1.87	5.72	1.90	5.87	1.92	6.04	1.93	6.39	1.96	6.79	1.99
						39	5.30	1.89	5.34	1.92	5.64	1.95	5.80	1.97	5.97	1.98	6.34	2.01	6.74	2.04
42	5.30	1.96	5.22	1.99	5.53	2.02	5.70	2.04	5.88	2.05	6.26	2.08	6.68	2.11						
44	5.30	2.01	5.15	2.04	5.47	2.07	5.64	2.09	5.83	2.10	6.22	2.13	6.65	2.15						
46	5.30	2.06	5.09	2.09	5.42	2.12	5.60	2.13	5.79	2.15	6.19	2.18	6.63	2.20						
2000	2000	2500		6500	65%	10	5.74	1.41	8.10	1.45	8.26	1.48	8.35	1.50	8.45	1.52	8.69	1.55	8.97	1.58
						12	5.74	1.45	7.88	1.48	8.05	1.52	8.15	1.53	8.25	1.55	8.50	1.58	8.79	1.61
						14	5.74	1.48	7.67	1.52	7.85	1.55	7.95	1.57	8.06	1.59	8.32	1.62	8.62	1.65
						16	5.74	1.52	7.47	1.56	7.66	1.59	7.76	1.61	7.88	1.62	8.15	1.66	8.47	1.69
						18	5.74	1.56	7.28	1.60	7.47	1.63	7.59	1.65	7.71	1.66	7.99	1.69	8.32	1.72
						20	5.74	1.60	7.09	1.64	7.30	1.67	7.42	1.69	7.55	1.70	7.84	1.73	8.18	1.76
						21	5.74	1.62	7.00	1.66	7.22	1.69	7.34	1.71	7.47	1.72	7.77	1.75	8.11	1.78
						23	5.74	1.66	6.83	1.70	7.06	1.73	7.19	1.75	7.33	1.76	7.63	1.79	7.99	1.82
						25	5.74	1.70	6.67	1.74	6.91	1.77	7.04	1.79	7.19	1.80	7.51	1.84	7.87	1.87
						27	5.74	1.75	6.52	1.78	6.77	1.82	6.91	1.83	7.06	1.85	7.39	1.88	7.76	1.91
						29	5.74	1.79	6.37	1.83	6.63	1.86	6.78	1.88	6.93	1.89	7.28	1.92	7.66	1.95
						31	5.74	1.84	6.24	1.87	6.51	1.91	6.66	1.92	6.82	1.94	7.18	1.97	7.57	2.00
						33	5.74	1.88	6.11	1.92	6.40	1.95	6.55	1.97	6.72	1.98	7.08	2.01	7.49	2.04
						35	5.74	1.93	6.00	1.97	6.29	2.00	6.50	2.01	6.63	2.03	7.00	2.06	7.42	2.09
						37	5.74	1.98	5.89	2.01	6.19	2.05	6.36	2.06	6.54	2.08	6.93	2.11	7.36	2.14
						39	5.74	2.03	5.79	2.06	6.11	2.10	6.28	2.11	6.46	2.13	6.86	2.16	7.30	2.19
42	5.74	2.11	5.66	2.14	5.99	2.17	6.17	2.19	6.37	2.20	6.78	2.23	7.24	2.26						
44	5.74	2.16	5.58	2.19	5.93	2.23	6.12	2.24	6.31	2.26	6.74	2.29	7.21	2.32						
46	5.74	2.21	5.52	2.25	5.87	2.28	6.07	2.29	6.27	2.31	6.71	2.34	7.19	2.37						

12. Capacity Table

Combination (Capacity Index)				Combination (Total)	Combination (%)	Outdoor Temperature (°C, DB)	Indoor Temperature(°C, WB)													
							14		16		18		19		20		22		24	
							TC(kW)	PI(kW)	TC(kW)	PI(kW)	TC(kW)	PI(kW)	TC(kW)	PI(kW)	TC(kW)	PI(kW)	TC(kW)	PI(kW)	TC(kW)	PI(kW)
2000	2000	3500		7500	75%	10	6.63	1.59	9.35	1.63	9.53	1.67	9.63	1.69	9.75	1.70	10.02	1.74	10.34	1.78
						12	6.63	1.63	9.10	1.67	9.29	1.71	9.40	1.73	9.52	1.74	9.81	1.78	10.14	1.81
						14	6.63	1.67	8.85	1.71	9.05	1.75	9.17	1.77	9.30	1.78	9.60	1.82	9.95	1.85
						16	6.63	1.71	8.62	1.75	8.83	1.79	8.96	1.81	9.10	1.83	9.41	1.86	9.77	1.90
						18	6.63	1.75	8.39	1.79	8.62	1.83	8.76	1.85	8.90	1.87	9.22	1.90	9.60	1.94
						20	6.63	1.80	8.18	1.84	8.42	1.88	8.56	1.90	8.71	1.91	9.05	1.95	9.44	1.98
						21	6.63	1.82	8.08	1.86	8.33	1.90	8.47	1.92	8.62	1.94	8.97	1.97	9.36	2.01
						23	6.63	1.87	7.88	1.91	8.14	1.95	8.29	1.96	8.45	1.98	8.81	2.02	9.21	2.05
						25	6.63	1.92	7.70	1.96	7.97	1.99	8.12	2.01	8.29	2.03	8.66	2.06	9.08	2.10
						27	6.63	1.96	7.52	2.00	7.81	2.04	7.97	2.06	8.14	2.08	8.52	2.11	8.95	2.15
						29	6.63	2.01	7.35	2.05	7.65	2.09	7.82	2.11	8.00	2.13	8.40	2.16	8.84	2.20
						31	6.63	2.07	7.20	2.10	7.51	2.14	7.69	2.16	7.87	2.18	8.28	2.21	8.74	2.25
						33	6.63	2.12	7.05	2.16	7.38	2.19	7.56	2.21	7.75	2.23	8.17	2.26	8.64	2.30
						35	6.63	2.17	6.92	2.21	7.26	2.25	7.50	2.26	7.64	2.28	8.08	2.32	8.56	2.35
						37	6.63	2.23	6.79	2.27	7.15	2.30	7.34	2.32	7.55	2.34	7.99	2.37	8.49	2.40
						39	6.63	2.28	6.68	2.32	7.05	2.36	7.25	2.38	7.46	2.39	7.92	2.43	8.43	2.46
42	6.63	2.37	6.53	2.41	6.91	2.44	7.12	2.46	7.35	2.48	7.83	2.51	8.35	2.54						
44	6.63	2.43	6.44	2.47	6.84	2.50	7.06	2.52	7.28	2.54	7.78	2.57	8.32	2.60						
46	6.63	2.49	6.37	2.53	6.78	2.56	7.00	2.58	7.23	2.60	7.74	2.63	8.29	2.66						
2000	2000	5000		9000	90%	10	7.68	1.83	10.83	1.88	11.04	1.92	11.16	1.95	11.30	1.97	11.61	2.01	11.99	2.05
						12	7.68	1.88	10.54	1.93	10.76	1.97	10.89	1.99	11.03	2.01	11.36	2.06	11.75	2.10
						14	7.68	1.93	10.26	1.97	10.49	2.02	10.63	2.04	10.78	2.06	11.13	2.10	11.53	2.14
						16	7.68	1.98	9.99	2.02	10.24	2.07	10.38	2.09	10.54	2.11	10.90	2.15	11.32	2.19
						18	7.68	2.03	9.73	2.07	9.99	2.12	10.14	2.14	10.31	2.16	10.69	2.20	11.12	2.24
						20	7.68	2.08	9.48	2.12	9.76	2.17	9.92	2.19	10.10	2.21	10.49	2.25	10.93	2.29
						21	7.68	2.10	9.36	2.15	9.65	2.19	9.81	2.21	9.99	2.24	10.39	2.28	10.84	2.32
						23	7.68	2.16	9.13	2.20	9.44	2.25	9.61	2.27	9.79	2.29	10.21	2.33	10.68	2.37
						25	7.68	2.21	8.92	2.26	9.23	2.30	9.41	2.32	9.61	2.34	10.04	2.38	10.52	2.42
						27	7.68	2.27	8.71	2.31	9.05	2.36	9.23	2.38	9.43	2.40	9.88	2.44	10.38	2.48
						29	7.68	2.33	8.52	2.37	8.87	2.41	9.06	2.44	9.27	2.46	9.73	2.50	10.24	2.54
						31	7.68	2.39	8.34	2.43	8.70	2.47	8.91	2.49	9.12	2.52	9.59	2.56	10.12	2.59
						33	7.68	2.45	8.17	2.49	8.55	2.53	8.76	2.55	8.98	2.58	9.47	2.61	10.02	2.65
						35	7.68	2.51	8.02	2.55	8.41	2.60	8.69	2.61	8.86	2.64	9.36	2.68	9.92	2.71
						37	7.68	2.57	7.87	2.62	8.28	2.66	8.51	2.68	8.74	2.70	9.26	2.74	9.84	2.78
						39	7.68	2.64	7.74	2.68	8.16	2.72	8.40	2.74	8.64	2.76	9.18	2.80	9.76	2.84
42	7.68	2.74	7.57	2.78	8.01	2.82	8.25	2.84	8.51	2.86	9.07	2.90	9.68	2.94						
44	7.68	2.80	7.46	2.85	7.92	2.89	8.18	2.91	8.44	2.93	9.01	2.97	9.64	3.01						
46	7.68	2.87	7.38	2.92	7.85	2.96	8.11	2.98	8.38	3.00	8.97	3.04	9.61	3.08						

12. Capacity Table

Combination (Capacity Index)				Combination (Total)	Combination (%)	Outdoor Temperature (°C, DB)	Indoor Temperature(°C, WB)													
							14		16		18		19		20		22		24	
							TC(kW)	PI(kW)	TC(kW)	PI(kW)	TC(kW)	PI(kW)	TC(kW)	PI(kW)	TC(kW)	PI(kW)	TC(kW)	PI(kW)	TC(kW)	PI(kW)
2000	2000	6800		10800	108%	10	793	1.88	11.18	1.93	11.39	1.98	11.52	2.00	11.66	2.02	11.99	2.06	12.37	2.10
						12	793	1.93	10.88	1.98	11.11	2.02	11.24	2.05	11.39	2.07	11.73	2.11	12.13	2.15
						14	793	1.98	10.59	2.03	10.83	2.07	10.97	2.09	11.13	2.12	11.49	2.16	11.90	2.20
						16	793	2.03	10.31	2.08	10.56	2.12	10.72	2.14	10.88	2.17	11.25	2.21	11.68	2.25
						18	793	2.08	10.04	2.13	10.31	2.17	10.47	2.19	10.64	2.22	11.03	2.26	11.48	2.30
						20	793	2.13	9.79	2.18	10.07	2.23	10.24	2.25	10.42	2.27	10.82	2.31	11.29	2.35
						21	793	2.16	9.66	2.21	9.96	2.25	10.13	2.27	10.31	2.30	10.73	2.34	11.19	2.38
						23	793	2.22	9.43	2.26	9.74	2.31	9.92	2.33	10.11	2.35	10.54	2.39	11.02	2.43
						25	793	2.27	9.20	2.32	9.53	2.36	9.72	2.38	9.92	2.41	10.36	2.45	10.86	2.49
						27	793	2.33	8.99	2.38	9.34	2.42	9.53	2.44	9.74	2.46	10.19	2.50	10.71	2.54
						29	793	2.39	8.80	2.44	9.15	2.48	9.35	2.50	9.57	2.52	10.04	2.56	10.57	2.60
						31	793	2.45	8.61	2.50	8.98	2.54	9.19	2.56	9.41	2.58	9.90	2.62	10.45	2.66
						33	793	2.51	8.44	2.56	8.83	2.60	9.04	2.62	9.27	2.64	9.78	2.69	10.34	2.72
						35	793	2.58	8.28	2.62	8.68	2.67	8.97	2.68	9.14	2.71	9.66	2.75	10.24	2.79
						37	793	2.64	8.13	2.69	8.55	2.73	8.78	2.75	9.03	2.77	9.56	2.81	10.15	2.85
						39	793	2.71	7.99	2.75	8.43	2.80	8.67	2.82	8.92	2.84	9.47	2.88	10.08	2.92
42	793	2.81	7.81	2.85	8.27	2.90	8.52	2.92	8.79	2.94	9.36	2.98	9.99	3.02						
44	793	2.88	7.71	2.92	8.18	2.97	8.44	2.99	8.71	3.01	9.30	3.05	9.95	3.09						
46	793	2.95	7.61	3.00	8.10	3.04	8.37	3.06	8.65	3.08	9.26	3.12	9.92	3.16						
2000	2500	2500		7000	70%	10	6.19	1.48	8.73	1.52	8.89	1.56	8.99	1.57	9.10	1.59	9.36	1.62	9.66	1.66
						12	6.19	1.52	8.49	1.56	8.67	1.59	8.77	1.61	8.89	1.63	9.15	1.66	9.47	1.69
						14	6.19	1.56	8.26	1.60	8.45	1.63	8.56	1.65	8.68	1.67	8.96	1.70	9.29	1.73
						16	6.19	1.60	8.04	1.63	8.24	1.67	8.36	1.69	8.49	1.70	8.78	1.74	9.12	1.77
						18	6.19	1.64	7.83	1.67	8.05	1.71	8.17	1.73	8.31	1.74	8.61	1.78	8.96	1.81
						20	6.19	1.68	7.64	1.72	7.86	1.75	7.99	1.77	8.13	1.79	8.45	1.82	8.81	1.85
						21	6.19	1.70	7.54	1.74	7.77	1.77	7.90	1.79	8.05	1.81	8.37	1.84	8.74	1.87
						23	6.19	1.74	7.36	1.78	7.60	1.82	7.74	1.83	7.89	1.85	8.22	1.88	8.60	1.91
						25	6.19	1.79	7.18	1.83	7.44	1.86	7.58	1.88	7.74	1.89	8.08	1.93	8.47	1.96
						27	6.19	1.83	7.02	1.87	7.29	1.91	7.44	1.92	7.60	1.94	7.96	1.97	8.36	2.00
						29	6.19	1.88	6.86	1.92	7.14	1.95	7.30	1.97	7.47	1.99	7.84	2.02	8.25	2.05
						31	6.19	1.93	6.72	1.97	7.01	2.00	7.17	2.02	7.35	2.03	7.73	2.07	8.15	2.10
						33	6.19	1.98	6.58	2.01	6.89	2.05	7.06	2.07	7.24	2.08	7.63	2.11	8.07	2.14
						35	6.19	2.03	6.46	2.06	6.77	2.10	7.00	2.11	7.13	2.13	7.54	2.16	7.99	2.19
						37	6.19	2.08	6.34	2.11	6.67	2.15	6.85	2.17	7.04	2.18	7.46	2.21	7.92	2.24
						39	6.19	2.13	6.24	2.17	6.58	2.20	6.76	2.22	6.96	2.23	7.39	2.27	7.87	2.30
42	6.19	2.21	6.09	2.25	6.45	2.28	6.65	2.30	6.86	2.31	7.30	2.35	7.80	2.38						
44	6.19	2.27	6.01	2.30	6.38	2.34	6.59	2.35	6.80	2.37	7.26	2.40	7.76	2.43						
46	6.19	2.32	5.94	2.36	6.32	2.39	6.53	2.41	6.75	2.42	7.22	2.46	7.74	2.49						

12. Capacity Table

Combination (Capacity Index)				Combination (Total)	Combination (%)	Outdoor Temperature (°C, DB)	Indoor Temperature(°C, WB)													
							14		16		18		19		20		22		24	
							TC(kW)	PI(kW)	TC(kW)	PI(kW)	TC(kW)	PI(kW)	TC(kW)	PI(kW)	TC(kW)	PI(kW)	TC(kW)	PI(kW)	TC(kW)	PI(kW)
2000	2500	3500		8000	80%	10	7.07	1.65	9.97	1.69	10.16	1.73	10.28	1.75	10.40	1.77	10.69	1.81	11.03	1.85
						12	7.07	1.69	9.70	1.73	9.90	1.77	10.02	1.79	10.16	1.81	10.46	1.85	10.82	1.89
						14	7.07	1.74	9.44	1.78	9.66	1.82	9.79	1.84	9.93	1.86	10.24	1.89	10.61	1.93
						16	7.07	1.78	9.19	1.82	9.42	1.86	9.56	1.88	9.70	1.90	10.04	1.94	10.42	1.97
						18	7.07	1.82	8.95	1.87	9.20	1.91	9.34	1.92	9.49	1.94	9.84	1.98	10.24	2.02
						20	7.07	1.87	8.73	1.91	8.99	1.95	9.13	1.97	9.29	1.99	9.65	2.03	10.06	2.06
						21	7.07	1.89	8.62	1.94	8.88	1.97	9.03	1.99	9.20	2.01	9.57	2.05	9.98	2.08
						23	7.07	1.94	8.41	1.98	8.69	2.02	8.84	2.04	9.02	2.06	9.40	2.10	9.83	2.13
						25	7.07	1.99	8.21	2.03	8.50	2.07	8.67	2.09	8.84	2.11	9.24	2.15	9.68	2.18
						27	7.07	2.04	8.02	2.08	8.33	2.12	8.50	2.14	8.68	2.16	9.09	2.20	9.55	2.23
						29	7.07	2.10	7.84	2.14	8.16	2.17	8.34	2.19	8.53	2.21	8.96	2.25	9.43	2.28
						31	7.07	2.15	7.68	2.19	8.01	2.23	8.20	2.25	8.40	2.26	8.83	2.30	9.32	2.34
						33	7.07	2.20	7.52	2.24	7.87	2.28	8.06	2.30	8.27	2.32	8.72	2.35	9.22	2.39
						35	7.07	2.26	7.38	2.30	7.74	2.34	8.00	2.35	8.15	2.37	8.62	2.41	9.13	2.44
						37	7.07	2.32	7.25	2.36	7.62	2.39	7.83	2.41	8.05	2.43	8.53	2.47	9.05	2.50
						39	7.07	2.37	7.13	2.41	7.52	2.45	7.73	2.47	7.96	2.49	8.45	2.52	8.99	2.56
42	7.07	2.46	6.97	2.50	7.38	2.54	7.60	2.56	7.84	2.58	8.35	2.61	8.91	2.65						
44	7.07	2.53	6.87	2.56	7.30	2.60	7.53	2.62	7.77	2.64	8.30	2.67	8.87	2.71						
46	7.07	2.59	6.79	2.63	7.23	2.66	7.46	2.68	7.72	2.70	8.25	2.74	8.85	2.77						
2000	2500	5000		9500	95%	10	7.76	1.83	10.95	1.88	11.15	1.92	11.28	1.95	11.42	1.97	11.73	2.01	12.11	2.05
						12	7.76	1.88	10.65	1.93	10.87	1.97	11.00	1.99	11.15	2.01	11.48	2.06	11.87	2.10
						14	7.76	1.93	10.36	1.97	10.60	2.02	10.74	2.04	10.89	2.06	11.24	2.10	11.65	2.14
						16	7.76	1.98	10.09	2.02	10.34	2.07	10.49	2.09	10.65	2.11	11.01	2.15	11.44	2.19
						18	7.76	2.03	9.83	2.07	10.10	2.12	10.25	2.14	10.42	2.16	10.80	2.20	11.23	2.24
						20	7.76	2.08	9.58	2.12	9.86	2.17	10.02	2.19	10.20	2.21	10.60	2.25	11.05	2.29
						21	7.76	2.10	9.46	2.15	9.75	2.19	9.92	2.21	10.10	2.24	10.50	2.28	10.96	2.32
						23	7.76	2.16	9.23	2.20	9.53	2.25	9.71	2.27	9.90	2.29	10.31	2.33	10.79	2.37
						25	7.76	2.21	9.01	2.26	9.33	2.30	9.51	2.32	9.71	2.34	10.14	2.38	10.63	2.42
						27	7.76	2.27	8.80	2.31	9.14	2.36	9.33	2.38	9.53	2.40	9.98	2.44	10.48	2.48
						29	7.76	2.33	8.61	2.37	8.96	2.41	9.16	2.44	9.37	2.46	9.83	2.50	10.35	2.54
						31	7.76	2.39	8.43	2.43	8.79	2.47	9.00	2.49	9.22	2.52	9.69	2.56	10.23	2.59
						33	7.76	2.45	8.26	2.49	8.64	2.53	8.85	2.55	9.08	2.58	9.57	2.61	10.12	2.65
						35	7.76	2.51	8.10	2.55	8.50	2.60	8.78	2.61	8.95	2.64	9.46	2.68	10.02	2.71
						37	7.76	2.57	7.95	2.62	8.37	2.66	8.59	2.68	8.83	2.70	9.36	2.74	9.94	2.78
						39	7.76	2.64	7.82	2.68	8.25	2.72	8.48	2.74	8.73	2.76	9.27	2.80	9.87	2.84
42	7.76	2.74	7.64	2.78	8.09	2.82	8.34	2.84	8.60	2.86	9.16	2.90	9.78	2.94						
44	7.76	2.80	7.54	2.85	8.01	2.89	8.26	2.91	8.53	2.93	9.10	2.97	9.74	3.01						
46	7.76	2.87	7.45	2.92	7.93	2.96	8.19	2.98	8.47	3.00	9.06	3.04	9.71	3.08						

12. Capacity Table

Combination (Capacity Index)				Combination (Total)	Combination (%)	Outdoor Temperature (°C, DB)	Indoor Temperature(°C, WB)													
							14		16		18		19		20		22		24	
							TC(kW)	PI(kW)	TC(kW)	PI(kW)	TC(kW)	PI(kW)	TC(kW)	PI(kW)	TC(kW)	PI(kW)	TC(kW)	PI(kW)	TC(kW)	PI(kW)
2000	2500	6800		11300	113%	10	7.74	1.88	10.92	1.93	11.13	1.98	11.25	2.00	11.39	2.02	11.71	2.06	12.08	2.10
						12	7.74	1.93	10.62	1.98	10.85	2.02	10.98	2.05	11.12	2.07	11.46	2.11	11.85	2.15
						14	7.74	1.98	10.34	2.03	10.58	2.07	10.71	2.09	10.87	2.12	11.22	2.16	11.62	2.20
						16	7.74	2.03	10.07	2.08	10.32	2.12	10.46	2.14	10.63	2.17	10.99	2.21	11.41	2.25
						18	7.74	2.08	9.80	2.13	10.07	2.17	10.23	2.19	10.40	2.22	10.77	2.26	11.21	2.30
						20	7.74	2.13	9.56	2.18	9.84	2.23	10.00	2.25	10.18	2.27	10.57	2.31	11.02	2.35
						21	7.74	2.16	9.44	2.21	9.73	2.25	9.89	2.27	10.07	2.30	10.47	2.34	10.93	2.38
						23	7.74	2.22	9.21	2.26	9.51	2.31	9.69	2.33	9.87	2.35	10.29	2.39	10.76	2.43
						25	7.74	2.27	8.99	2.32	9.31	2.36	9.49	2.38	9.68	2.41	10.12	2.45	10.60	2.49
						27	7.74	2.33	8.78	2.38	9.12	2.42	9.31	2.44	9.51	2.46	9.96	2.50	10.46	2.54
						29	7.74	2.39	8.59	2.44	8.94	2.48	9.14	2.50	9.35	2.52	9.81	2.56	10.33	2.60
						31	7.74	2.45	8.41	2.50	8.77	2.54	8.98	2.56	9.19	2.58	9.67	2.62	10.20	2.66
						33	7.74	2.51	8.24	2.56	8.62	2.60	8.83	2.62	9.06	2.64	9.55	2.69	10.10	2.72
						35	7.74	2.58	8.08	2.62	8.48	2.67	8.76	2.68	8.93	2.71	9.44	2.75	10.00	2.79
						37	7.74	2.64	7.94	2.69	8.35	2.73	8.57	2.75	8.81	2.77	9.34	2.81	9.92	2.85
						39	7.74	2.71	7.80	2.75	8.23	2.80	8.46	2.82	8.71	2.84	9.25	2.88	9.84	2.92
42	7.74	2.81	7.63	2.85	8.08	2.90	8.32	2.92	8.58	2.94	9.14	2.98	9.76	3.02						
44	7.74	2.88	7.53	2.92	7.99	2.97	8.24	2.99	8.51	3.01	9.08	3.05	9.72	3.09						
46	7.74	2.95	7.43	3.00	7.91	3.04	8.17	3.06	8.45	3.08	9.04	3.12	9.69	3.16						
2000	3500	3500		9000	90%	10	7.68	1.83	10.83	1.87	11.04	1.92	11.16	1.94	11.30	1.96	11.61	2.00	11.99	2.04
						12	7.68	1.87	10.54	1.92	10.76	1.96	10.89	1.98	11.03	2.01	11.36	2.05	11.75	2.09
						14	7.68	1.92	10.26	1.97	10.49	2.01	10.63	2.03	10.78	2.05	11.13	2.09	11.53	2.13
						16	7.68	1.97	9.99	2.01	10.24	2.06	10.38	2.08	10.54	2.10	10.90	2.14	11.32	2.18
						18	7.68	2.02	9.73	2.06	9.99	2.11	10.14	2.13	10.31	2.15	10.69	2.19	11.12	2.23
						20	7.68	2.07	9.48	2.12	9.76	2.16	9.92	2.18	10.10	2.20	10.49	2.24	10.93	2.28
						21	7.68	2.10	9.36	2.14	9.65	2.18	9.81	2.21	9.99	2.23	10.39	2.27	10.84	2.31
						23	7.68	2.15	9.13	2.19	9.44	2.24	9.61	2.26	9.79	2.28	10.21	2.32	10.68	2.36
						25	7.68	2.20	8.92	2.25	9.23	2.29	9.41	2.31	9.61	2.33	10.04	2.37	10.52	2.41
						27	7.68	2.26	8.71	2.31	9.05	2.35	9.23	2.37	9.43	2.39	9.88	2.43	10.38	2.47
						29	7.68	2.32	8.52	2.36	8.87	2.41	9.06	2.43	9.27	2.45	9.73	2.49	10.24	2.53
						31	7.68	2.38	8.34	2.42	8.70	2.46	8.91	2.49	9.12	2.51	9.59	2.55	10.12	2.58
						33	7.68	2.44	8.17	2.48	8.55	2.52	8.76	2.55	8.98	2.57	9.47	2.60	10.02	2.64
						35	7.68	2.50	8.02	2.54	8.41	2.59	8.69	2.60	8.86	2.63	9.36	2.67	9.92	2.70
						37	7.68	2.56	7.87	2.61	8.28	2.65	8.51	2.67	8.74	2.69	9.26	2.73	9.84	2.77
						39	7.68	2.63	7.74	2.67	8.16	2.71	8.40	2.73	8.64	2.75	9.18	2.79	9.76	2.83
42	7.68	2.73	7.57	2.77	8.01	2.81	8.25	2.83	8.51	2.85	9.07	2.89	9.68	2.93						
44	7.68	2.79	7.46	2.84	7.92	2.88	8.18	2.90	8.44	2.92	9.01	2.96	9.64	2.99						
46	7.68	2.86	7.38	2.91	7.85	2.95	8.11	2.97	8.38	2.99	8.97	3.03	9.61	3.06						

12. Capacity Table

Combination (Capacity Index)				Combination (Total)	Combination (%)	Outdoor Temperature (°C,DB)	Indoor Temperature(°C, WB)													
							14		16		18		19		20		22		24	
							TC(kW)	PI(kW)	TC(kW)	PI(kW)	TC(kW)	PI(kW)	TC(kW)	PI(kW)	TC(kW)	PI(kW)	TC(kW)	PI(kW)	TC(kW)	PI(kW)
2000	3500	5000		10500	105%	10	7.89	1.87	11.13	1.92	11.34	1.96	11.47	1.98	11.61	2.01	11.94	2.05	12.32	2.09
						12	7.89	1.92	10.83	1.96	11.06	2.01	11.19	2.03	11.34	2.05	11.68	2.09	12.08	2.14
						14	7.89	1.96	10.54	2.01	10.78	2.06	10.92	2.08	11.08	2.10	11.43	2.14	11.85	2.18
						16	7.89	2.01	10.26	2.06	10.52	2.11	10.67	2.13	10.83	2.15	11.20	2.19	11.63	2.23
						18	7.89	2.06	10.00	2.11	10.27	2.16	10.43	2.18	10.60	2.20	10.98	2.24	11.43	2.28
						20	7.89	2.12	9.74	2.16	10.03	2.21	10.19	2.23	10.37	2.25	10.78	2.29	11.23	2.33
						21	7.89	2.14	9.62	2.19	9.92	2.24	10.08	2.26	10.27	2.28	10.68	2.32	11.14	2.36
						23	7.89	2.20	9.39	2.25	9.70	2.29	9.87	2.31	10.06	2.33	10.49	2.37	10.97	2.41
						25	7.89	2.26	9.16	2.30	9.49	2.35	9.67	2.37	9.87	2.39	10.31	2.43	10.81	2.47
						27	7.89	2.31	8.95	2.36	9.29	2.40	9.49	2.42	9.69	2.45	10.15	2.49	10.66	2.53
						29	7.89	2.37	8.76	2.42	9.11	2.46	9.31	2.48	9.53	2.50	10.00	2.54	10.53	2.58
						31	7.89	2.43	8.57	2.48	8.94	2.52	9.15	2.54	9.37	2.56	9.86	2.60	10.40	2.64
						33	7.89	2.49	8.40	2.54	8.79	2.58	9.00	2.60	9.23	2.62	9.73	2.67	10.29	2.70
						35	7.89	2.56	8.24	2.60	8.64	2.65	8.93	2.66	9.10	2.69	9.62	2.73	10.19	2.77
						37	7.89	2.62	8.09	2.67	8.51	2.71	8.74	2.73	8.98	2.75	9.52	2.79	10.11	2.83
						39	7.89	2.69	7.96	2.73	8.39	2.78	8.63	2.80	8.88	2.82	9.43	2.86	10.03	2.89
42	7.89	2.79	7.78	2.83	8.23	2.88	8.48	2.90	8.75	2.92	9.32	2.96	9.95	3.00						
44	7.89	2.86	7.67	2.90	8.14	2.95	8.40	2.97	8.67	2.99	9.26	3.03	9.90	3.06						
46	7.89	2.93	7.58	2.97	8.07	3.02	8.33	3.04	8.61	3.06	9.21	3.10	9.87	3.13						
2000	3500	6800		12300	123%	10	7.92	1.92	11.17	1.97	11.38	2.01	11.51	2.04	11.65	2.06	11.98	2.10	12.36	2.14
						12	7.92	1.97	10.87	2.01	11.09	2.06	11.23	2.08	11.38	2.11	11.72	2.15	12.12	2.19
						14	7.92	2.02	10.57	2.06	10.82	2.11	10.96	2.13	11.12	2.16	11.47	2.20	11.89	2.24
						16	7.92	2.07	10.30	2.11	10.55	2.16	10.70	2.18	10.87	2.21	11.24	2.25	11.67	2.29
						18	7.92	2.12	10.03	2.17	10.30	2.21	10.46	2.24	10.63	2.26	11.02	2.30	11.46	2.34
						20	7.92	2.17	9.77	2.22	10.06	2.27	10.23	2.29	10.41	2.31	10.81	2.35	11.27	2.39
						21	7.92	2.20	9.65	2.25	9.95	2.29	10.12	2.32	10.30	2.34	10.71	2.38	11.18	2.42
						23	7.92	2.26	9.42	2.30	9.73	2.35	9.91	2.37	10.10	2.39	10.52	2.44	11.01	2.48
						25	7.92	2.31	9.19	2.36	9.52	2.41	9.71	2.43	9.91	2.45	10.35	2.49	10.85	2.53
						27	7.92	2.37	8.98	2.42	9.33	2.47	9.52	2.49	9.73	2.51	10.18	2.55	10.70	2.59
						29	7.92	2.43	8.79	2.48	9.14	2.53	9.34	2.55	9.56	2.57	10.03	2.61	10.56	2.65
						31	7.92	2.50	8.60	2.54	8.97	2.59	9.18	2.61	9.40	2.63	9.89	2.67	10.44	2.71
						33	7.92	2.56	8.43	2.61	8.82	2.65	9.03	2.67	9.26	2.69	9.77	2.74	10.33	2.78
						35	7.92	2.62	8.27	2.67	8.67	2.71	8.96	2.73	9.13	2.76	9.65	2.80	10.23	2.84
						37	7.92	2.69	8.12	2.74	8.54	2.78	8.77	2.80	9.02	2.82	9.55	2.86	10.14	2.90
						39	7.92	2.76	7.98	2.80	8.42	2.85	8.66	2.87	8.91	2.89	9.46	2.93	10.07	2.97
42	7.92	2.86	7.80	2.91	8.26	2.95	8.51	2.97	8.78	2.99	9.35	3.04	9.98	3.07						
44	7.92	2.93	7.70	2.98	8.17	3.02	8.43	3.04	8.70	3.07	9.29	3.11	9.94	3.14						
46	7.92	3.01	7.60	3.05	8.09	3.10	8.36	3.12	8.64	3.14	9.25	3.18	9.91	3.22						

12. Capacity Table

Combination (Capacity Index)				Combination (Total)	Combination (%)	Outdoor Temperature (°C, DB)	Indoor Temperature(°C, WB)													
							14		16		18		19		20		22		24	
							TC(kW)	PI(kW)	TC(kW)	PI(kW)	TC(kW)	PI(kW)	TC(kW)	PI(kW)	TC(kW)	PI(kW)	TC(kW)	PI(kW)	TC(kW)	PI(kW)
2000	5000	5000		12000	120%	10	7.87	1.91	11.09	1.96	11.30	2.01	11.43	2.03	11.57	2.05	11.90	2.09	12.28	2.14
						12	7.87	1.96	10.79	2.01	11.02	2.05	11.15	2.08	11.30	2.10	11.64	2.14	12.04	2.18
						14	7.87	2.01	10.50	2.06	10.74	2.10	10.89	2.13	11.04	2.15	11.40	2.19	11.81	2.23
						16	7.87	2.06	10.23	2.11	10.48	2.15	10.63	2.18	10.80	2.20	11.17	2.24	11.59	2.28
						18	7.87	2.11	9.96	2.16	10.23	2.21	10.39	2.23	10.56	2.25	10.95	2.29	11.39	2.33
						20	7.87	2.17	9.71	2.21	10.00	2.26	10.16	2.28	10.34	2.30	10.74	2.35	11.20	2.39
						21	7.87	2.19	9.59	2.24	9.88	2.29	10.05	2.31	10.23	2.33	10.64	2.37	11.11	2.41
						23	7.87	2.25	9.35	2.30	9.66	2.34	9.84	2.36	10.03	2.39	10.45	2.43	10.93	2.47
						25	7.87	2.31	9.13	2.35	9.46	2.40	9.64	2.42	9.84	2.44	10.28	2.48	10.77	2.52
						27	7.87	2.36	8.92	2.41	9.26	2.46	9.46	2.48	9.66	2.50	10.12	2.54	10.63	2.58
						29	7.87	2.43	8.73	2.47	9.08	2.52	9.28	2.54	9.50	2.56	9.96	2.60	10.49	2.64
						31	7.87	2.49	8.54	2.53	8.91	2.58	9.12	2.60	9.34	2.62	9.83	2.66	10.37	2.70
						33	7.87	2.55	8.37	2.60	8.76	2.64	8.97	2.66	9.20	2.68	9.70	2.73	10.26	2.76
						35	7.87	2.61	8.21	2.66	8.61	2.71	8.90	2.72	9.07	2.75	9.59	2.79	10.16	2.83
						37	7.87	2.68	8.06	2.73	8.48	2.77	8.71	2.79	8.95	2.81	9.49	2.85	10.07	2.89
						39	7.87	2.75	7.93	2.79	8.36	2.84	8.60	2.86	8.85	2.88	9.40	2.92	10.00	2.96
42	7.87	2.85	7.75	2.90	8.20	2.94	8.45	2.96	8.72	2.98	9.29	3.02	9.91	3.06						
44	7.87	2.92	7.65	2.97	8.12	3.01	8.37	3.03	8.64	3.05	9.23	3.09	9.87	3.13						
46	7.87	3.00	7.55	3.04	8.04	3.08	8.30	3.11	8.58	3.13	9.18	3.17	9.84	3.20						
2000	5000	6800		13800	138%	10	10.41	1.99	10.82	2.04	11.24	2.08	11.45	2.10	11.66	2.12	12.08	2.16	12.52	2.21
						12	10.23	2.05	10.64	2.09	11.06	2.13	11.27	2.15	11.48	2.17	11.91	2.22	12.34	2.26
						14	10.05	2.10	10.46	2.14	10.88	2.19	11.09	2.21	11.30	2.23	11.73	2.27	12.16	2.32
						16	9.87	2.16	10.28	2.20	10.70	2.24	10.91	2.26	11.12	2.29	11.55	2.33	11.99	2.37
						18	9.69	2.21	10.10	2.26	10.52	2.30	10.73	2.32	10.95	2.34	11.38	2.39	11.81	2.43
						20	9.51	2.27	9.93	2.31	10.34	2.36	10.56	2.38	10.77	2.40	11.20	2.45	11.64	2.49
						21	9.42	2.30	9.84	2.34	10.26	2.39	10.47	2.41	10.68	2.43	11.11	2.47	11.55	2.52
						23	9.24	2.36	9.66	2.40	10.08	2.45	10.29	2.47	10.51	2.49	10.94	2.53	11.38	2.58
						25	9.07	2.42	9.48	2.46	9.90	2.51	10.12	2.53	10.33	2.55	10.76	2.60	11.20	2.64
						27	8.89	2.48	9.31	2.52	9.73	2.57	9.94	2.59	10.16	2.61	10.59	2.66	11.03	2.70
						29	8.71	2.54	9.13	2.58	9.55	2.63	9.77	2.65	9.98	2.68	10.42	2.72	10.86	2.77
						31	8.54	2.60	8.95	2.65	9.38	2.69	9.59	2.72	9.81	2.74	10.24	2.78	10.68	2.83
						33	8.36	2.67	8.78	2.71	9.20	2.76	9.42	2.78	9.63	2.80	10.07	2.85	10.51	2.89
						35	8.18	2.73	8.60	2.78	9.03	2.82	9.26	2.84	9.46	2.87	9.90	2.92	10.34	2.96
						37	8.01	2.80	8.43	2.84	8.85	2.89	9.07	2.91	9.29	2.94	9.72	2.98	10.17	3.03
						39	7.84	2.86	8.26	2.91	8.68	2.96	8.90	2.98	9.11	3.00	9.55	3.05	10.00	3.10
42	7.57	2.97	8.00	3.01	8.42	3.06	8.64	3.08	8.86	3.11	9.30	3.15	9.74	3.20						
44	7.40	3.03	7.82	3.08	8.25	3.13	8.47	3.15	8.69	3.18	9.13	3.22	9.57	3.27						
46	7.23	3.11	7.65	3.15	8.08	3.20	8.30	3.22	8.52	3.25	8.96	3.30	9.40	3.34						

12. Capacity Table

Combination (Capacity Index)				Combination (Total)	Combination (%)	Outdoor Temperature (°C,DB)	Indoor Temperature(°C, WB)													
							14		16		18		19		20		22		24	
							TC(kW)	PI(kW)	TC(kW)	PI(kW)	TC(kW)	PI(kW)	TC(kW)	PI(kW)	TC(kW)	PI(kW)	TC(kW)	PI(kW)	TC(kW)	PI(kW)
2000	6800	6800		15600	156%	10	11.02	2.01	11.45	2.05	11.89	2.09	12.11	2.11	12.34	2.14	12.79	2.18	13.25	2.22
						12	10.83	2.06	11.26	2.10	11.70	2.15	11.92	2.17	12.15	2.19	12.60	2.23	13.06	2.28
						14	10.64	2.12	11.07	2.16	11.51	2.20	11.74	2.22	11.96	2.25	12.41	2.29	12.87	2.33
						16	10.45	2.17	10.88	2.21	11.32	2.26	11.55	2.28	11.77	2.30	12.23	2.35	12.69	2.39
						18	10.26	2.23	10.69	2.27	11.14	2.32	11.36	2.34	11.58	2.36	12.04	2.40	12.50	2.45
						20	10.07	2.29	10.50	2.33	10.95	2.37	11.17	2.40	11.40	2.42	11.85	2.46	12.32	2.51
						21	9.97	2.31	10.41	2.36	10.85	2.40	11.08	2.43	11.30	2.45	11.76	2.49	12.22	2.54
						23	9.78	2.37	10.22	2.42	10.67	2.46	10.89	2.49	11.12	2.51	11.58	2.55	12.04	2.60
						25	9.60	2.43	10.03	2.48	10.48	2.52	10.71	2.55	10.93	2.57	11.39	2.61	11.86	2.66
						27	9.41	2.50	9.85	2.54	10.29	2.59	10.52	2.61	10.75	2.63	11.21	2.68	11.67	2.72
						29	9.22	2.56	9.66	2.60	10.11	2.65	10.33	2.67	10.56	2.69	11.02	2.74	11.49	2.79
						31	9.03	2.62	9.48	2.67	9.92	2.71	10.15	2.74	10.38	2.76	10.84	2.80	11.31	2.85
						33	8.85	2.69	9.29	2.73	9.74	2.78	9.97	2.80	10.19	2.82	10.66	2.87	11.12	2.92
						35	8.66	2.75	9.11	2.80	9.55	2.84	9.80	2.86	10.01	2.89	10.47	2.94	10.94	2.98
						37	8.48	2.82	8.92	2.86	9.37	2.91	9.60	2.93	9.83	2.96	10.29	3.00	10.76	3.05
						39	8.29	2.88	8.74	2.93	9.19	2.98	9.42	3.00	9.65	3.02	10.11	3.07	10.58	3.12
42	8.02	2.99	8.46	3.03	8.91	3.08	9.14	3.10	9.37	3.13	9.84	3.18	10.31	3.22						
44	7.83	3.06	8.28	3.10	8.73	3.15	8.96	3.18	9.19	3.20	9.66	3.25	10.13	3.29						
46	7.65	3.13	8.10	3.17	8.55	3.22	8.78	3.25	9.01	3.27	9.48	3.32	9.95	3.37						
2500	2500	2500		7500	75%	10	6.63	1.58	9.35	1.62	9.53	1.66	9.63	1.68	9.75	1.70	10.02	1.73	10.34	1.77
						12	6.63	1.62	9.10	1.66	9.29	1.70	9.40	1.72	9.52	1.74	9.81	1.77	10.14	1.81
						14	6.63	1.66	8.85	1.70	9.05	1.74	9.17	1.76	9.30	1.78	9.60	1.81	9.95	1.85
						16	6.63	1.70	8.62	1.74	8.83	1.78	8.96	1.80	9.10	1.82	9.41	1.85	9.77	1.89
						18	6.63	1.75	8.39	1.79	8.62	1.82	8.76	1.84	8.90	1.86	9.22	1.90	9.60	1.93
						20	6.63	1.79	8.18	1.83	8.42	1.87	8.56	1.89	8.71	1.90	9.05	1.94	9.44	1.97
						21	6.63	1.81	8.08	1.85	8.33	1.89	8.47	1.91	8.62	1.93	8.97	1.96	9.36	2.00
						23	6.63	1.86	7.88	1.90	8.14	1.94	8.29	1.96	8.45	1.97	8.81	2.01	9.21	2.04
						25	6.63	1.91	7.70	1.95	7.97	1.98	8.12	2.00	8.29	2.02	8.66	2.05	9.08	2.09
						27	6.63	1.96	7.52	1.99	7.81	2.03	7.97	2.05	8.14	2.07	8.52	2.10	8.95	2.14
						29	6.63	2.01	7.35	2.04	7.65	2.08	7.82	2.10	8.00	2.12	8.40	2.15	8.84	2.19
						31	6.63	2.06	7.20	2.10	7.51	2.13	7.69	2.15	7.87	2.17	8.28	2.20	8.74	2.24
						33	6.63	2.11	7.05	2.15	7.38	2.18	7.56	2.20	7.75	2.22	8.17	2.25	8.64	2.29
						35	6.63	2.16	6.92	2.20	7.26	2.24	7.50	2.25	7.64	2.27	8.08	2.31	8.56	2.34
						37	6.63	2.22	6.79	2.26	7.15	2.29	7.34	2.31	7.55	2.33	7.99	2.36	8.49	2.39
						39	6.63	2.27	6.68	2.31	7.05	2.35	7.25	2.37	7.46	2.38	7.92	2.42	8.43	2.45
42	6.63	2.36	6.53	2.40	6.91	2.43	7.12	2.45	7.35	2.47	7.83	2.50	8.35	2.53						
44	6.63	2.42	6.44	2.46	6.84	2.49	7.06	2.51	7.28	2.53	7.78	2.56	8.32	2.59						
46	6.63	2.48	6.37	2.52	6.78	2.55	7.00	2.57	7.23	2.59	7.74	2.62	8.29	2.65						

12. Capacity Table

Combination (Capacity Index)				Combination (Total)	Combination (%)	Outdoor Temperature (°C, DB)	Indoor Temperature(°C, WB)													
							14		16		18		19		20		22		24	
							TC(kW)	PI(kW)	TC(kW)	PI(kW)	TC(kW)	PI(kW)	TC(kW)	PI(kW)	TC(kW)	PI(kW)	TC(kW)	PI(kW)	TC(kW)	PI(kW)
2500	2500	3500		8500	85%	10	7.51	1.76	10.60	1.80	10.80	1.84	10.92	1.86	11.05	1.89	11.36	1.93	11.72	1.96
						12	7.51	1.80	10.31	1.84	10.52	1.89	10.65	1.91	10.79	1.93	11.12	1.97	11.49	2.01
						14	7.51	1.85	10.03	1.89	10.26	1.93	10.40	1.95	10.55	1.97	10.88	2.01	11.28	2.05
						16	7.51	1.89	9.77	1.94	10.01	1.98	10.15	2.00	10.31	2.02	10.66	2.06	11.07	2.10
						18	7.51	1.94	9.51	1.98	9.77	2.03	9.92	2.05	10.09	2.07	10.45	2.11	10.88	2.14
						20	7.51	1.99	9.27	2.03	9.55	2.08	9.70	2.10	9.87	2.12	10.26	2.16	10.69	2.19
						21	7.51	2.02	9.16	2.06	9.44	2.10	9.60	2.12	9.77	2.14	10.16	2.18	10.61	2.22
						23	7.51	2.07	8.93	2.11	9.23	2.15	9.40	2.17	9.58	2.19	9.98	2.23	10.44	2.27
						25	7.51	2.12	8.72	2.16	9.03	2.20	9.21	2.22	9.40	2.24	9.82	2.28	10.29	2.32
						27	7.51	2.17	8.52	2.22	8.85	2.26	9.03	2.28	9.23	2.30	9.66	2.34	10.15	2.37
						29	7.51	2.23	8.33	2.27	8.67	2.31	8.86	2.33	9.07	2.35	9.52	2.39	10.02	2.43
						31	7.51	2.29	8.16	2.33	8.51	2.37	8.71	2.39	8.92	2.41	9.38	2.45	9.90	2.48
						33	7.51	2.34	7.99	2.39	8.36	2.43	8.57	2.45	8.79	2.47	9.26	2.50	9.80	2.54
						35	7.51	2.40	7.84	2.45	8.23	2.49	8.50	2.50	8.66	2.53	9.16	2.56	9.70	2.60
						37	7.51	2.46	7.70	2.51	8.10	2.55	8.32	2.57	8.55	2.59	9.06	2.62	9.62	2.66
						39	7.51	2.53	7.57	2.57	7.99	2.61	8.21	2.63	8.45	2.65	8.97	2.68	9.55	2.72
42	7.51	2.62	7.40	2.66	7.84	2.70	8.07	2.72	8.33	2.74	8.87	2.78	9.47	2.82						
44	7.51	2.69	7.30	2.73	7.75	2.77	8.00	2.79	8.26	2.81	8.81	2.84	9.43	2.88						
46	7.51	2.75	7.21	2.79	7.68	2.83	7.93	2.85	8.20	2.87	8.77	2.91	9.40	2.95						
2500	2500	5000		10000	100%	10	7.82	1.83	11.03	1.88	11.24	1.92	11.37	1.95	11.51	1.97	11.83	2.01	12.21	2.05
						12	7.82	1.88	10.73	1.93	10.96	1.97	11.09	1.99	11.24	2.01	11.57	2.06	11.97	2.10
						14	7.82	1.93	10.44	1.97	10.68	2.02	10.82	2.04	10.98	2.06	11.33	2.10	11.74	2.14
						16	7.82	1.98	10.17	2.02	10.42	2.07	10.57	2.09	10.73	2.11	11.10	2.15	11.53	2.19
						18	7.82	2.03	9.91	2.07	10.18	2.12	10.33	2.14	10.50	2.16	10.88	2.20	11.32	2.24
						20	7.82	2.08	9.65	2.12	9.94	2.17	10.10	2.19	10.28	2.21	10.68	2.25	11.13	2.29
						21	7.82	2.10	9.53	2.15	9.83	2.19	9.99	2.21	10.18	2.24	10.58	2.28	11.04	2.32
						23	7.82	2.16	9.30	2.20	9.61	2.25	9.78	2.27	9.97	2.29	10.39	2.33	10.87	2.37
						25	7.82	2.21	9.08	2.26	9.40	2.30	9.59	2.32	9.78	2.34	10.22	2.38	10.71	2.42
						27	7.82	2.27	8.87	2.31	9.21	2.36	9.40	2.38	9.61	2.40	10.06	2.44	10.57	2.48
						29	7.82	2.33	8.68	2.37	9.03	2.41	9.23	2.44	9.44	2.46	9.91	2.50	10.43	2.54
						31	7.82	2.39	8.49	2.43	8.86	2.47	9.07	2.49	9.29	2.52	9.77	2.56	10.31	2.59
						33	7.82	2.45	8.32	2.49	8.71	2.53	8.92	2.55	9.15	2.58	9.65	2.61	10.20	2.65
						35	7.82	2.51	8.16	2.55	8.56	2.60	8.85	2.61	9.02	2.64	9.53	2.68	10.10	2.71
						37	7.82	2.57	8.02	2.62	8.43	2.66	8.66	2.68	8.90	2.70	9.43	2.74	10.02	2.78
						39	7.82	2.64	7.88	2.68	8.31	2.72	8.55	2.74	8.80	2.76	9.34	2.80	9.94	2.84
42	7.82	2.74	7.71	2.78	8.16	2.82	8.41	2.84	8.67	2.86	9.23	2.90	9.86	2.94						
44	7.82	2.80	7.60	2.85	8.07	2.89	8.33	2.91	8.60	2.93	9.18	2.97	9.82	3.01						
46	7.82	2.87	7.51	2.92	8.00	2.96	8.26	2.98	8.54	3.00	9.13	3.04	9.79	3.08						

12. Capacity Table

Combination (Capacity Index)				Combination (Total)	Combination (%)	Outdoor Temperature (°C, DB)	Indoor Temperature(°C, WB)													
							14		16		18		19		20		22		24	
							TC(kW)	PI(kW)	TC(kW)	PI(kW)	TC(kW)	PI(kW)	TC(kW)	PI(kW)	TC(kW)	PI(kW)	TC(kW)	PI(kW)	TC(kW)	PI(kW)
2500	2500	6800		11800	118%	10	7.84	1.91	11.06	1.96	11.27	2.01	11.39	2.03	11.53	2.05	11.86	2.09	12.23	2.14
						12	7.84	1.96	10.76	2.01	10.98	2.05	11.11	2.08	11.26	2.10	11.60	2.14	11.99	2.18
						14	7.84	2.01	10.47	2.06	10.71	2.10	10.85	2.13	11.00	2.15	11.36	2.19	11.77	2.23
						16	7.84	2.06	10.19	2.11	10.45	2.15	10.60	2.18	10.76	2.20	11.13	2.24	11.55	2.28
						18	7.84	2.11	9.93	2.16	10.20	2.21	10.36	2.23	10.53	2.25	10.91	2.29	11.35	2.33
						20	7.84	2.17	9.68	2.21	9.96	2.26	10.13	2.28	10.30	2.30	10.70	2.35	11.16	2.39
						21	7.84	2.19	9.56	2.24	9.85	2.29	10.02	2.31	10.20	2.33	10.61	2.37	11.07	2.41
						23	7.84	2.25	9.32	2.30	9.63	2.34	9.81	2.36	10.00	2.39	10.42	2.43	10.90	2.47
						25	7.84	2.31	9.10	2.35	9.43	2.40	9.61	2.42	9.81	2.44	10.24	2.48	10.74	2.52
						27	7.84	2.36	8.89	2.41	9.23	2.46	9.42	2.48	9.63	2.50	10.08	2.54	10.59	2.58
						29	7.84	2.43	8.70	2.47	9.05	2.52	9.25	2.54	9.46	2.56	9.93	2.60	10.46	2.64
						31	7.84	2.49	8.51	2.53	8.88	2.58	9.09	2.60	9.31	2.62	9.79	2.66	10.33	2.70
						33	7.84	2.55	8.34	2.60	8.73	2.64	8.94	2.66	9.17	2.68	9.67	2.73	10.22	2.76
						35	7.84	2.61	8.18	2.66	8.58	2.71	8.87	2.72	9.04	2.75	9.55	2.79	10.13	2.83
						37	7.84	2.68	8.04	2.73	8.45	2.77	8.68	2.79	8.92	2.81	9.45	2.85	10.04	2.89
						39	7.84	2.75	7.90	2.79	8.33	2.84	8.57	2.86	8.82	2.88	9.37	2.92	9.97	2.96
42	7.84	2.85	7.72	2.90	8.18	2.94	8.43	2.96	8.69	2.98	9.26	3.02	9.88	3.06						
44	7.84	2.92	7.62	2.97	8.09	3.01	8.35	3.03	8.62	3.05	9.20	3.09	9.84	3.13						
46	7.84	3.00	7.53	3.04	8.01	3.08	8.28	3.11	8.55	3.13	9.15	3.17	9.81	3.20						
2500	3500	3500		9500	95%	10	7.75	1.83	10.93	1.87	11.14	1.92	11.26	1.94	11.40	1.96	11.72	2.00	12.10	2.04
						12	7.75	1.87	10.64	1.92	10.86	1.96	10.99	1.98	11.14	2.01	11.47	2.05	11.86	2.09
						14	7.75	1.92	10.35	1.97	10.59	2.01	10.73	2.03	10.88	2.05	11.23	2.09	11.63	2.13
						16	7.75	1.97	10.08	2.01	10.33	2.06	10.48	2.08	10.64	2.10	11.00	2.14	11.42	2.18
						18	7.75	2.02	9.82	2.06	10.08	2.11	10.24	2.13	10.41	2.15	10.79	2.19	11.22	2.23
						20	7.75	2.07	9.57	2.12	9.85	2.16	10.01	2.18	10.19	2.20	10.58	2.24	11.03	2.28
						21	7.75	2.10	9.45	2.14	9.74	2.18	9.90	2.21	10.08	2.23	10.49	2.27	10.94	2.31
						23	7.75	2.15	9.22	2.19	9.52	2.24	9.70	2.26	9.88	2.28	10.30	2.32	10.77	2.36
						25	7.75	2.20	9.00	2.25	9.32	2.29	9.50	2.31	9.70	2.33	10.13	2.37	10.62	2.41
						27	7.75	2.26	8.79	2.31	9.13	2.35	9.32	2.37	9.52	2.39	9.97	2.43	10.47	2.47
						29	7.75	2.32	8.60	2.36	8.95	2.41	9.15	2.43	9.36	2.45	9.82	2.49	10.34	2.53
						31	7.75	2.38	8.42	2.42	8.78	2.46	8.99	2.49	9.20	2.51	9.68	2.55	10.22	2.58
						33	7.75	2.44	8.25	2.48	8.63	2.52	8.84	2.55	9.07	2.57	9.56	2.60	10.11	2.64
						35	7.75	2.50	8.09	2.54	8.49	2.59	8.77	2.60	8.94	2.63	9.45	2.67	10.01	2.70
						37	7.75	2.56	7.95	2.61	8.36	2.65	8.58	2.67	8.82	2.69	9.35	2.73	9.93	2.77
						39	7.75	2.63	7.81	2.67	8.24	2.71	8.47	2.73	8.72	2.75	9.26	2.79	9.85	2.83
42	7.75	2.73	7.64	2.77	8.09	2.81	8.33	2.83	8.59	2.85	9.15	2.89	9.77	2.93						
44	7.75	2.79	7.53	2.84	8.00	2.88	8.25	2.90	8.52	2.92	9.09	2.96	9.73	2.99						
46	7.75	2.86	7.44	2.91	7.92	2.95	8.18	2.97	8.46	2.99	9.05	3.03	9.70	3.06						

12. Capacity Table

Combination (Capacity Index)				Combination (Total)	Combination (%)	Outdoor Temperature (°C, DB)	Indoor Temperature(°C, WB)													
							14		16		18		19		20		22		24	
							TC(kW)	PI(kW)	TC(kW)	PI(kW)	TC(kW)	PI(kW)	TC(kW)	PI(kW)	TC(kW)	PI(kW)	TC(kW)	PI(kW)	TC(kW)	PI(kW)
2500	3500	5000		11000	110%	10	7.69	1.87	10.85	1.92	11.05	1.96	11.17	1.98	11.31	2.01	11.63	2.05	12.00	2.09
						12	7.69	1.92	10.55	1.96	10.77	2.01	10.90	2.03	11.05	2.05	11.38	2.09	11.76	2.14
						14	7.69	1.96	10.27	2.01	10.50	2.06	10.64	2.08	10.79	2.10	11.14	2.14	11.54	2.18
						16	7.69	2.01	10.00	2.06	10.25	2.11	10.39	2.13	10.55	2.15	10.91	2.19	11.33	2.23
						18	7.69	2.06	9.74	2.11	10.00	2.16	10.16	2.18	10.32	2.20	10.70	2.24	11.13	2.28
						20	7.69	2.12	9.49	2.16	9.77	2.21	9.93	2.23	10.11	2.25	10.50	2.29	10.95	2.33
						21	7.69	2.14	9.37	2.19	9.66	2.24	9.82	2.26	10.00	2.28	10.40	2.32	10.86	2.36
						23	7.69	2.20	9.14	2.25	9.45	2.29	9.62	2.31	9.80	2.33	10.22	2.37	10.69	2.41
						25	7.69	2.26	8.93	2.30	9.24	2.35	9.42	2.37	9.62	2.39	10.05	2.43	10.53	2.47
						27	7.69	2.31	8.72	2.36	9.06	2.40	9.24	2.42	9.44	2.45	9.89	2.49	10.39	2.53
						29	7.69	2.37	8.53	2.42	8.88	2.46	9.07	2.48	9.28	2.50	9.74	2.54	10.26	2.58
						31	7.69	2.43	8.35	2.48	8.71	2.52	8.92	2.54	9.13	2.56	9.61	2.60	10.14	2.64
						33	7.69	2.49	8.18	2.54	8.56	2.58	8.77	2.60	8.99	2.62	9.48	2.67	10.03	2.70
						35	7.69	2.56	8.03	2.60	8.42	2.65	8.70	2.66	8.87	2.69	9.37	2.73	9.93	2.77
						37	7.69	2.62	7.88	2.67	8.29	2.71	8.51	2.73	8.75	2.75	9.27	2.79	9.85	2.83
						39	7.69	2.69	7.75	2.73	8.17	2.78	8.41	2.80	8.65	2.82	9.19	2.86	9.78	2.89
42	7.69	2.79	7.58	2.83	8.02	2.88	8.26	2.90	8.52	2.92	9.08	2.96	9.69	3.00						
44	7.69	2.86	7.47	2.90	7.93	2.95	8.19	2.97	8.45	2.99	9.02	3.03	9.65	3.06						
46	7.69	2.93	7.38	2.97	7.86	3.02	8.12	3.04	8.39	3.06	8.98	3.10	9.62	3.13						
2500	3500	6800		12800	128%	10	8.01	1.95	11.29	2.00	11.51	2.05	11.64	2.07	11.78	2.10	12.11	2.14	12.50	2.18
						12	8.01	2.00	10.99	2.05	11.22	2.10	11.35	2.12	11.50	2.14	11.85	2.19	12.25	2.23
						14	8.01	2.05	10.69	2.10	10.94	2.15	11.08	2.17	11.24	2.19	11.60	2.24	12.02	2.28
						16	8.01	2.10	10.41	2.15	10.67	2.20	10.82	2.22	10.99	2.25	11.37	2.29	11.80	2.33
						18	8.01	2.16	10.14	2.21	10.42	2.25	10.58	2.28	10.75	2.30	11.14	2.34	11.59	2.38
						20	8.01	2.21	9.88	2.26	10.18	2.31	10.34	2.33	10.53	2.35	10.93	2.40	11.40	2.44
						21	8.01	2.24	9.76	2.29	10.06	2.34	10.23	2.36	10.42	2.38	10.83	2.42	11.31	2.47
						23	8.01	2.30	9.52	2.35	9.84	2.39	10.02	2.42	10.21	2.44	10.64	2.48	11.13	2.52
						25	8.01	2.36	9.30	2.40	9.63	2.45	9.81	2.47	10.02	2.50	10.46	2.54	10.97	2.58
						27	8.01	2.42	9.08	2.46	9.43	2.51	9.63	2.53	9.83	2.56	10.30	2.60	10.82	2.64
						29	8.01	2.48	8.88	2.53	9.25	2.57	9.45	2.59	9.67	2.62	10.14	2.66	10.68	2.70
						31	8.01	2.54	8.70	2.59	9.07	2.63	9.28	2.66	9.51	2.68	10.00	2.72	10.55	2.76
						33	8.01	2.61	8.52	2.65	8.91	2.70	9.13	2.72	9.37	2.74	9.87	2.79	10.44	2.83
						35	8.01	2.67	8.36	2.72	8.77	2.76	9.06	2.78	9.23	2.81	9.76	2.85	10.34	2.89
						37	8.01	2.74	8.21	2.79	8.63	2.83	8.87	2.85	9.12	2.88	9.66	2.92	10.25	2.96
						39	8.01	2.81	8.07	2.86	8.51	2.90	8.75	2.92	9.01	2.94	9.57	2.99	10.18	3.03
42	8.01	2.91	7.89	2.96	8.35	3.01	8.61	3.03	8.87	3.05	9.45	3.09	10.09	3.13						
44	8.01	2.99	7.78	3.03	8.26	3.08	8.52	3.10	8.80	3.12	9.39	3.16	10.05	3.20						
46	8.01	3.06	7.69	3.11	8.18	3.15	8.45	3.17	8.74	3.19	9.35	3.24	10.02	3.28						

12. Capacity Table

Combination (Capacity Index)				Combination (Total)	Combination (%)	Outdoor Temperature (°C,DB)	Indoor Temperature(°C, WB)													
							14		16		18		19		20		22		24	
							TC(kW)	PI(kW)	TC(kW)	PI(kW)	TC(kW)	PI(kW)	TC(kW)	PI(kW)	TC(kW)	PI(kW)	TC(kW)	PI(kW)	TC(kW)	PI(kW)
2500	5000	5000		12500	125%	10	795	1.95	11.22	2.00	11.43	2.04	11.56	2.07	11.70	2.09	12.03	2.13	12.41	2.18
						12	795	1.99	10.91	2.04	11.14	2.09	11.28	2.11	11.43	2.14	11.77	2.18	12.17	2.22
						14	795	2.05	10.62	2.09	10.86	2.14	11.01	2.16	11.17	2.19	11.52	2.23	11.94	2.27
						16	795	2.10	10.34	2.15	10.60	2.19	10.75	2.22	10.92	2.24	11.29	2.28	11.72	2.32
						18	795	2.15	10.07	2.20	10.35	2.25	10.51	2.27	10.68	2.29	11.07	2.33	11.52	2.38
						20	795	2.21	9.82	2.25	10.11	2.30	10.27	2.32	10.46	2.34	10.86	2.39	11.32	2.43
						21	795	2.23	9.70	2.28	9.99	2.33	10.16	2.35	10.35	2.37	10.76	2.42	11.23	2.46
						23	795	2.29	9.46	2.34	9.77	2.38	9.95	2.41	10.14	2.43	10.57	2.47	11.06	2.51
						25	795	2.35	9.23	2.40	9.56	2.44	9.75	2.46	9.95	2.49	10.39	2.53	10.89	2.57
						27	795	2.41	9.02	2.46	9.37	2.50	9.56	2.52	9.77	2.55	10.23	2.59	10.75	2.63
						29	795	2.47	8.82	2.52	9.18	2.56	9.39	2.59	9.60	2.61	10.08	2.65	10.61	2.69
						31	795	2.53	8.64	2.58	9.01	2.63	9.22	2.65	9.45	2.67	9.94	2.71	10.48	2.75
						33	795	2.60	8.46	2.64	8.86	2.69	9.07	2.71	9.30	2.73	9.81	2.78	10.37	2.82
						35	795	2.66	8.30	2.71	8.71	2.75	9.00	2.77	9.17	2.80	9.69	2.84	10.27	2.88
						37	795	2.73	8.15	2.78	8.58	2.82	8.81	2.84	9.06	2.87	9.59	2.91	10.19	2.95
						39	795	2.80	8.02	2.85	8.46	2.89	8.70	2.91	8.95	2.93	9.50	2.97	10.11	3.01
42	795	2.90	7.84	2.95	8.30	3.00	8.55	3.02	8.82	3.04	9.39	3.08	10.02	3.12						
44	795	2.98	7.73	3.02	8.21	3.07	8.47	3.09	8.74	3.11	9.33	3.15	9.98	3.19						
46	795	3.05	7.64	3.10	8.13	3.14	8.40	3.16	8.68	3.18	9.29	3.22	9.95	3.26						
2500	5000	6800		14300	143%	10	10.52	1.92	10.94	1.96	11.36	2.00	11.57	2.02	11.78	2.05	12.22	2.09	12.65	2.13
						12	10.34	1.97	10.76	2.02	11.18	2.06	11.39	2.08	11.60	2.10	12.04	2.14	12.47	2.18
						14	10.16	2.03	10.57	2.07	11.00	2.11	11.21	2.13	11.42	2.15	11.86	2.19	12.30	2.23
						16	9.98	2.08	10.39	2.12	10.82	2.16	11.03	2.18	11.24	2.21	11.68	2.25	12.12	2.29
						18	9.80	2.13	10.21	2.18	10.64	2.22	10.85	2.24	11.06	2.26	11.50	2.30	11.94	2.34
						20	9.62	2.19	10.03	2.23	10.46	2.27	10.67	2.30	10.89	2.32	11.32	2.36	11.76	2.40
						21	9.52	2.22	9.94	2.26	10.37	2.30	10.58	2.32	10.80	2.34	11.23	2.39	11.68	2.43
						23	9.34	2.27	9.76	2.32	10.19	2.36	10.40	2.38	10.62	2.40	11.06	2.45	11.50	2.49
						25	9.17	2.33	9.58	2.37	10.01	2.42	10.23	2.44	10.44	2.46	10.88	2.50	11.32	2.55
						27	8.99	2.39	9.41	2.43	9.83	2.48	10.05	2.50	10.26	2.52	10.70	2.56	11.15	2.61
						29	8.81	2.45	9.23	2.49	9.65	2.54	9.87	2.56	10.09	2.58	10.53	2.62	10.97	2.67
						31	8.63	2.51	9.05	2.55	9.48	2.60	9.69	2.62	9.91	2.64	10.35	2.69	10.80	2.73
						33	8.45	2.57	8.87	2.62	9.30	2.66	9.52	2.68	9.74	2.70	10.18	2.75	10.63	2.79
						35	8.27	2.63	8.70	2.68	9.13	2.72	9.36	2.74	9.56	2.77	10.00	2.81	10.45	2.86
						37	8.10	2.70	8.52	2.74	8.95	2.79	9.17	2.81	9.39	2.83	9.83	2.88	10.28	2.92
						39	7.92	2.76	8.34	2.81	8.78	2.85	8.99	2.88	9.21	2.90	9.66	2.94	10.11	2.99
42	7.66	2.86	8.08	2.91	8.51	2.95	8.73	2.97	8.95	3.00	9.40	3.04	9.85	3.09						
44	7.48	2.93	7.91	2.97	8.34	3.02	8.56	3.04	8.78	3.06	9.23	3.11	9.68	3.16						
46	7.31	3.00	7.73	3.04	8.17	3.09	8.39	3.11	8.61	3.13	9.05	3.18	9.51	3.23						

12. Capacity Table

Combination (Capacity Index)				Combination (Total)	Combination (%)	Outdoor Temperature (°C, DB)	Indoor Temperature(°C, WB)													
							14		16		18		19		20		22		24	
							TC(kW)	PI(kW)	TC(kW)	PI(kW)	TC(kW)	PI(kW)	TC(kW)	PI(kW)	TC(kW)	PI(kW)	TC(kW)	PI(kW)	TC(kW)	PI(kW)
2500	6800	6800		16100	161%	10	11.02	2.01	11.45	2.05	11.89	2.09	12.11	2.11	12.34	2.14	12.79	2.18	13.25	2.22
						12	10.83	2.06	11.26	2.10	11.70	2.15	11.92	2.17	12.15	2.19	12.60	2.23	13.06	2.28
						14	10.64	2.12	11.07	2.16	11.51	2.20	11.74	2.22	11.96	2.25	12.41	2.29	12.87	2.33
						16	10.45	2.17	10.88	2.21	11.32	2.26	11.55	2.28	11.77	2.30	12.23	2.35	12.69	2.39
						18	10.26	2.23	10.69	2.27	11.14	2.32	11.36	2.34	11.58	2.36	12.04	2.40	12.50	2.45
						20	10.07	2.29	10.50	2.33	10.95	2.37	11.17	2.40	11.40	2.42	11.85	2.46	12.32	2.51
						21	9.97	2.31	10.41	2.36	10.85	2.40	11.08	2.43	11.30	2.45	11.76	2.49	12.22	2.54
						23	9.78	2.37	10.22	2.42	10.67	2.46	10.89	2.49	11.12	2.51	11.58	2.55	12.04	2.60
						25	9.60	2.43	10.03	2.48	10.48	2.52	10.71	2.55	10.93	2.57	11.39	2.61	11.86	2.66
						27	9.41	2.50	9.85	2.54	10.29	2.59	10.52	2.61	10.75	2.63	11.21	2.68	11.67	2.72
						29	9.22	2.56	9.66	2.60	10.11	2.65	10.33	2.67	10.56	2.69	11.02	2.74	11.49	2.79
						31	9.03	2.62	9.48	2.67	9.92	2.71	10.15	2.74	10.38	2.76	10.84	2.80	11.31	2.85
						33	8.85	2.69	9.29	2.73	9.74	2.78	9.97	2.80	10.19	2.82	10.66	2.87	11.12	2.92
						35	8.66	2.75	9.11	2.80	9.55	2.84	9.80	2.86	10.01	2.89	10.47	2.94	10.94	2.98
						37	8.48	2.82	8.92	2.86	9.37	2.91	9.60	2.93	9.83	2.96	10.29	3.00	10.76	3.05
						39	8.29	2.88	8.74	2.93	9.19	2.98	9.42	3.00	9.65	3.02	10.11	3.07	10.58	3.12
42	8.02	2.99	8.46	3.03	8.91	3.08	9.14	3.10	9.37	3.13	9.84	3.18	10.31	3.22						
44	7.83	3.06	8.28	3.10	8.73	3.15	8.96	3.18	9.19	3.20	9.66	3.25	10.13	3.29						
46	7.65	3.13	8.10	3.17	8.55	3.22	8.78	3.25	9.01	3.27	9.48	3.32	9.95	3.37						
3500	3500	3500		10500	105%	10	7.90	1.86	11.14	1.91	11.36	1.95	11.48	1.98	11.62	2.00	11.95	2.04	12.33	2.08
						12	7.90	1.91	10.84	1.96	11.07	2.00	11.20	2.02	11.35	2.04	11.69	2.09	12.09	2.13
						14	7.90	1.96	10.55	2.00	10.79	2.05	10.93	2.07	11.09	2.09	11.45	2.13	11.86	2.17
						16	7.90	2.01	10.27	2.05	10.53	2.10	10.68	2.12	10.84	2.14	11.22	2.18	11.64	2.22
						18	7.90	2.06	10.01	2.10	10.28	2.15	10.44	2.17	10.61	2.19	11.00	2.23	11.44	2.27
						20	7.90	2.11	9.75	2.16	10.04	2.20	10.21	2.22	10.39	2.24	10.79	2.28	11.25	2.32
						21	7.90	2.14	9.63	2.18	9.93	2.23	10.10	2.25	10.28	2.27	10.69	2.31	11.16	2.35
						23	7.90	2.19	9.40	2.24	9.71	2.28	9.88	2.30	10.08	2.32	10.50	2.36	10.98	2.40
						25	7.90	2.25	9.17	2.29	9.50	2.34	9.68	2.36	9.88	2.38	10.32	2.42	10.82	2.46
						27	7.90	2.30	8.96	2.35	9.31	2.39	9.50	2.41	9.70	2.44	10.16	2.48	10.67	2.52
						29	7.90	2.36	8.77	2.41	9.12	2.45	9.32	2.47	9.54	2.49	10.01	2.53	10.54	2.57
						31	7.90	2.42	8.58	2.47	8.95	2.51	9.16	2.53	9.38	2.55	9.87	2.59	10.41	2.63
						33	7.90	2.48	8.41	2.53	8.80	2.57	9.01	2.59	9.24	2.61	9.74	2.66	10.30	2.69
						35	7.90	2.55	8.25	2.59	8.65	2.64	8.94	2.65	9.11	2.68	9.63	2.72	10.20	2.76
						37	7.90	2.61	8.10	2.66	8.52	2.70	8.75	2.72	8.99	2.74	9.53	2.78	10.12	2.82
						39	7.90	2.68	7.96	2.72	8.40	2.76	8.64	2.79	8.89	2.81	9.44	2.85	10.05	2.88
42	7.90	2.78	7.78	2.82	8.24	2.87	8.49	2.89	8.76	2.91	9.33	2.95	9.96	2.98						
44	7.90	2.85	7.68	2.89	8.15	2.93	8.41	2.96	8.68	2.98	9.27	3.01	9.91	3.05						
46	7.90	2.92	7.59	2.96	8.08	3.00	8.34	3.03	8.62	3.05	9.22	3.08	9.88	3.12						

12. Capacity Table

Combination (Capacity Index)				Combination (Total)	Combination (%)	Outdoor Temperature (°C,DB)	Indoor Temperature(°C, WB)															
							14		16		18		19		20		22		24			
							TC(kW)	PI(kW)	TC(kW)	PI(kW)	TC(kW)	PI(kW)	TC(kW)	PI(kW)	TC(kW)	PI(kW)	TC(kW)	PI(kW)	TC(kW)	PI(kW)		
3500	3500	5000		12000	120%	10	7.87	1.90	11.11	1.95	11.32	2.00	11.44	2.02	11.58	2.04	11.91	2.09	12.29	2.13		
						12	7.87	1.95	10.81	2.00	11.03	2.05	11.16	2.07	11.31	2.09	11.65	2.13	12.05	2.18		
						14	7.87	2.00	10.52	2.05	10.76	2.09	10.90	2.12	11.05	2.14	11.41	2.18	11.82	2.22		
						16	7.87	2.05	10.24	2.10	10.49	2.15	10.64	2.17	10.81	2.19	11.18	2.23	11.60	2.27		
						18	7.87	2.10	9.97	2.15	10.24	2.20	10.40	2.22	10.57	2.24	10.96	2.28	11.40	2.32		
						20	7.87	2.16	9.72	2.20	10.01	2.25	10.17	2.27	10.35	2.29	10.75	2.34	11.21	2.38		
						21	7.87	2.18	9.60	2.23	9.89	2.28	10.06	2.30	10.24	2.32	10.65	2.36	11.12	2.40		
						23	7.87	2.24	9.36	2.29	9.67	2.33	9.85	2.35	10.04	2.38	10.47	2.42	10.95	2.46		
						25	7.87	2.30	9.14	2.34	9.47	2.39	9.65	2.41	9.85	2.43	10.29	2.47	10.79	2.52		
						27	7.87	2.36	8.93	2.40	9.27	2.45	9.47	2.47	9.67	2.49	10.13	2.53	10.64	2.57		
						29	7.87	2.42	8.74	2.46	9.09	2.51	9.29	2.53	9.51	2.55	9.98	2.59	10.50	2.63		
						31	7.87	2.48	8.55	2.52	8.92	2.57	9.13	2.59	9.35	2.61	9.84	2.65	10.38	2.69		
						33	7.87	2.54	8.38	2.59	8.77	2.63	8.98	2.65	9.21	2.67	9.71	2.72	10.27	2.75		
						35	7.87	2.60	8.22	2.65	8.62	2.70	8.91	2.71	9.08	2.74	9.60	2.78	10.17	2.82		
						37	7.87	2.67	8.07	2.72	8.49	2.76	8.72	2.78	8.96	2.80	9.50	2.84	10.08	2.88		
						39	7.87	2.74	7.94	2.78	8.37	2.83	8.61	2.85	8.86	2.87	9.41	2.91	10.01	2.95		
42	7.87	2.84	7.76	2.89	8.21	2.93	8.46	2.95	8.73	2.97	9.30	3.01	9.92	3.05								
44	7.87	2.91	7.65	2.96	8.13	3.00	8.38	3.02	8.65	3.04	9.24	3.08	9.88	3.12								
46	7.87	2.98	7.56	3.03	8.05	3.07	8.31	3.09	8.59	3.11	9.19	3.15	9.85	3.19								
3500	3500	6800		13800	138%	10	10.41	1.99	10.82	2.03	11.24	2.07	11.45	2.09	11.66	2.11	12.08	2.15	12.52	2.20		
						12	10.23	2.04	10.64	2.08	11.06	2.12	11.27	2.15	11.48	2.17	11.91	2.21	12.34	2.25		
						14	10.05	2.09	10.46	2.14	10.88	2.18	11.09	2.20	11.30	2.22	11.73	2.26	12.16	2.31		
						16	9.87	2.15	10.28	2.19	10.70	2.23	10.91	2.26	11.12	2.28	11.55	2.32	11.99	2.36		
						18	9.69	2.20	10.10	2.25	10.52	2.29	10.73	2.31	10.95	2.33	11.38	2.38	11.81	2.42		
						20	9.51	2.26	9.93	2.31	10.34	2.35	10.56	2.37	10.77	2.39	11.20	2.44	11.64	2.48		
						21	9.42	2.29	9.84	2.33	10.26	2.38	10.47	2.40	10.68	2.42	11.11	2.47	11.55	2.51		
						23	9.24	2.35	9.66	2.39	10.08	2.44	10.29	2.46	10.51	2.48	10.94	2.53	11.38	2.57		
						25	9.07	2.41	9.48	2.45	9.90	2.50	10.12	2.52	10.33	2.54	10.76	2.59	11.20	2.63		
						27	8.89	2.47	9.31	2.51	9.73	2.56	9.94	2.58	10.16	2.60	10.59	2.65	11.03	2.69		
						29	8.71	2.53	9.13	2.58	9.55	2.62	9.77	2.64	9.98	2.67	10.42	2.71	10.86	2.76		
						31	8.54	2.59	8.95	2.64	9.38	2.68	9.59	2.71	9.81	2.73	10.24	2.77	10.68	2.82		
						33	8.36	2.66	8.78	2.70	9.20	2.75	9.42	2.77	9.63	2.79	10.07	2.84	10.51	2.88		
						35	8.18	2.72	8.60	2.77	9.03	2.81	9.26	2.83	9.46	2.86	9.90	2.90	10.34	2.95		
						37	8.01	2.79	8.43	2.83	8.85	2.88	9.07	2.90	9.29	2.93	9.72	2.97	10.17	3.02		
						39	7.84	2.85	8.26	2.90	8.68	2.95	8.90	2.97	9.11	2.99	9.55	3.04	10.00	3.09		
42	7.57	2.96	8.00	3.00	8.42	3.05	8.64	3.07	8.86	3.10	9.30	3.14	9.74	3.19								
44	7.40	3.02	7.82	3.07	8.25	3.12	8.47	3.14	8.69	3.17	9.13	3.21	9.57	3.26								
46	7.23	3.09	7.65	3.14	8.08	3.19	8.30	3.21	8.52	3.24	8.96	3.28	9.40	3.33								

12. Capacity Table

Combination (Capacity Index)				Combination (Total)	Combination (%)	Outdoor Temperature (°C, DB)	Indoor Temperature(°C, WB)													
							14		16		18		19		20		22		24	
							TC(kW)	PI(kW)	TC(kW)	PI(kW)	TC(kW)	PI(kW)	TC(kW)	PI(kW)	TC(kW)	PI(kW)	TC(kW)	PI(kW)	TC(kW)	PI(kW)
3500	5000	5000		13500	135%	10	10.36	1.98	10.76	2.02	11.18	2.06	11.38	2.08	11.59	2.11	12.02	2.15	12.45	2.19
						12	10.18	2.03	10.58	2.07	11.00	2.12	11.21	2.14	11.42	2.16	11.84	2.20	12.27	2.24
						14	10.00	2.09	10.40	2.13	10.82	2.17	11.03	2.19	11.24	2.21	11.67	2.26	12.10	2.30
						16	9.82	2.14	10.23	2.18	10.64	2.23	10.85	2.25	11.06	2.27	11.49	2.31	11.92	2.36
						18	9.64	2.20	10.05	2.24	10.47	2.28	10.68	2.30	10.89	2.33	11.32	2.37	11.75	2.41
						20	9.46	2.25	9.87	2.30	10.29	2.34	10.50	2.36	10.71	2.38	11.14	2.43	11.58	2.47
						21	9.37	2.28	9.78	2.33	10.20	2.37	10.41	2.39	10.62	2.41	11.05	2.46	11.49	2.50
						23	9.20	2.34	9.61	2.38	10.02	2.43	10.24	2.45	10.45	2.47	10.88	2.52	11.32	2.56
						25	9.02	2.40	9.43	2.44	9.85	2.49	10.06	2.51	10.27	2.53	10.71	2.58	11.14	2.62
						27	8.84	2.46	9.26	2.50	9.67	2.55	9.89	2.57	10.10	2.59	10.53	2.64	10.97	2.68
						29	8.67	2.52	9.08	2.57	9.50	2.61	9.71	2.63	9.93	2.66	10.36	2.70	10.80	2.75
						31	8.49	2.58	8.91	2.63	9.33	2.67	9.54	2.70	9.75	2.72	10.19	2.76	10.63	2.81
						33	8.32	2.65	8.73	2.69	9.15	2.74	9.37	2.76	9.58	2.78	10.01	2.83	10.46	2.87
						35	8.14	2.71	8.56	2.76	8.98	2.80	9.21	2.82	9.41	2.85	9.84	2.89	10.28	2.94
						37	7.97	2.78	8.38	2.82	8.81	2.87	9.02	2.89	9.24	2.92	9.67	2.96	10.11	3.01
						39	7.79	2.84	8.21	2.89	8.64	2.94	8.85	2.96	9.07	2.98	9.50	3.03	9.94	3.07
42	7.53	2.94	7.95	2.99	8.38	3.04	8.59	3.06	8.81	3.08	9.25	3.13	9.69	3.18						
44	7.36	3.01	7.78	3.06	8.21	3.11	8.42	3.13	8.64	3.15	9.08	3.20	9.52	3.25						
46	7.19	3.08	7.61	3.13	8.04	3.18	8.25	3.20	8.47	3.22	8.91	3.27	9.35	3.32						
3500	5000	6800		15300	153%	10	11.02	1.96	11.45	2.01	11.89	2.05	12.11	2.07	12.34	2.09	12.79	2.13	13.25	2.17
						12	10.83	2.02	11.26	2.06	11.70	2.10	11.92	2.12	12.15	2.14	12.60	2.19	13.06	2.23
						14	10.64	2.07	11.07	2.11	11.51	2.16	11.74	2.18	11.96	2.20	12.41	2.24	12.87	2.28
						16	10.45	2.13	10.88	2.17	11.32	2.21	11.55	2.23	11.77	2.25	12.23	2.30	12.69	2.34
						18	10.26	2.18	10.69	2.22	11.14	2.27	11.36	2.29	11.58	2.31	12.04	2.35	12.50	2.40
						20	10.07	2.24	10.50	2.28	10.95	2.32	11.17	2.35	11.40	2.37	11.85	2.41	12.32	2.45
						21	9.97	2.27	10.41	2.31	10.85	2.35	11.08	2.37	11.30	2.40	11.76	2.44	12.22	2.48
						23	9.78	2.32	10.22	2.37	10.67	2.41	10.89	2.43	11.12	2.46	11.58	2.50	12.04	2.54
						25	9.60	2.38	10.03	2.43	10.48	2.47	10.71	2.49	10.93	2.51	11.39	2.56	11.86	2.60
						27	9.41	2.44	9.85	2.49	10.29	2.53	10.52	2.55	10.75	2.58	11.21	2.62	11.67	2.66
						29	9.22	2.50	9.66	2.55	10.11	2.59	10.33	2.62	10.56	2.64	11.02	2.68	11.49	2.73
						31	9.03	2.57	9.48	2.61	9.92	2.66	10.15	2.68	10.38	2.70	10.84	2.75	11.31	2.79
						33	8.85	2.63	9.29	2.67	9.74	2.72	9.97	2.74	10.19	2.76	10.66	2.81	11.12	2.85
						35	8.66	2.69	9.11	2.74	9.55	2.78	9.80	2.80	10.01	2.83	10.47	2.87	10.94	2.92
						37	8.48	2.76	8.92	2.80	9.37	2.85	9.60	2.87	9.83	2.89	10.29	2.94	10.76	2.99
						39	8.29	2.82	8.74	2.87	9.19	2.92	9.42	2.94	9.65	2.96	10.11	3.01	10.58	3.05
42	8.02	2.92	8.46	2.97	8.91	3.02	9.14	3.04	9.37	3.06	9.84	3.11	10.31	3.16						
44	7.83	2.99	8.28	3.04	8.73	3.09	8.96	3.11	9.19	3.13	9.66	3.18	10.13	3.23						
46	7.65	3.06	8.10	3.11	8.55	3.16	8.78	3.18	9.01	3.20	9.48	3.25	9.95	3.30						

12. Capacity Table

Combination (Capacity Index)				Combination (Total)	Combination (%)	Outdoor Temperature (°C, DB)	Indoor Temperature(°C, WB)													
							14		16		18		19		20		22		24	
							TC(kW)	PI(kW)	TC(kW)	PI(kW)	TC(kW)	PI(kW)	TC(kW)	PI(kW)	TC(kW)	PI(kW)	TC(kW)	PI(kW)	TC(kW)	PI(kW)
3500	6800	6800		17100	171%	10	11.02	2.04	11.45	2.09	11.89	2.13	12.11	2.15	12.34	2.17	12.79	2.22	13.25	2.26
						12	10.83	2.10	11.26	2.14	11.70	2.18	11.92	2.21	12.15	2.23	12.60	2.27	13.06	2.32
						14	10.64	2.15	11.07	2.20	11.51	2.24	11.74	2.26	11.96	2.28	12.41	2.33	12.87	2.37
						16	10.45	2.21	10.88	2.25	11.32	2.30	11.55	2.32	11.77	2.34	12.23	2.39	12.69	2.43
						18	10.26	2.27	10.69	2.31	11.14	2.36	11.36	2.38	11.58	2.40	12.04	2.45	12.50	2.49
						20	10.07	2.33	10.50	2.37	10.95	2.42	11.17	2.44	11.40	2.46	11.85	2.51	12.32	2.55
						21	9.97	2.36	10.41	2.40	10.85	2.45	11.08	2.47	11.30	2.49	11.76	2.54	12.22	2.58
						23	9.78	2.42	10.22	2.46	10.67	2.51	10.89	2.53	11.12	2.55	11.58	2.60	12.04	2.64
						25	9.60	2.48	10.03	2.52	10.48	2.57	10.71	2.59	10.93	2.61	11.39	2.66	11.86	2.71
						27	9.41	2.54	9.85	2.58	10.29	2.63	10.52	2.65	10.75	2.68	11.21	2.72	11.67	2.77
						29	9.22	2.60	9.66	2.65	10.11	2.69	10.33	2.72	10.56	2.74	11.02	2.79	11.49	2.83
						31	9.03	2.67	9.48	2.71	9.92	2.76	10.15	2.78	10.38	2.81	10.84	2.85	11.31	2.90
						33	8.85	2.73	9.29	2.78	9.74	2.83	9.97	2.85	10.19	2.87	10.66	2.92	11.12	2.97
						35	8.66	2.80	9.11	2.85	9.55	2.89	9.80	2.91	10.01	2.94	10.47	2.99	10.94	3.03
						37	8.48	2.87	8.92	2.91	9.37	2.96	9.60	2.98	9.83	3.01	10.29	3.06	10.76	3.10
						39	8.29	2.93	8.74	2.98	9.19	3.03	9.42	3.05	9.65	3.08	10.11	3.13	10.58	3.17
						42	8.02	3.04	8.46	3.09	8.91	3.14	9.14	3.16	9.37	3.18	9.84	3.23	10.31	3.28
44	7.83	3.11	8.28	3.16	8.73	3.21	8.96	3.23	9.19	3.26	9.66	3.30	10.13	3.35						
46	7.65	3.18	8.10	3.23	8.55	3.28	8.78	3.30	9.01	3.33	9.48	3.38	9.95	3.43						
5000	5000	5000		15000	150%	10	11.02	1.96	11.45	2.00	11.89	2.04	12.11	2.06	12.34	2.08	12.79	2.12	13.25	2.17
						12	10.83	2.01	11.26	2.05	11.70	2.09	11.92	2.12	12.15	2.14	12.60	2.18	13.06	2.22
						14	10.64	2.06	11.07	2.11	11.51	2.15	11.74	2.17	11.96	2.19	12.41	2.23	12.87	2.27
						16	10.45	2.12	10.88	2.16	11.32	2.20	11.55	2.22	11.77	2.25	12.23	2.29	12.69	2.33
						18	10.26	2.17	10.69	2.22	11.14	2.26	11.36	2.28	11.58	2.30	12.04	2.34	12.50	2.39
						20	10.07	2.23	10.50	2.27	10.95	2.32	11.17	2.34	11.40	2.36	11.85	2.40	12.32	2.45
						21	9.97	2.26	10.41	2.30	10.85	2.34	11.08	2.37	11.30	2.39	11.76	2.43	12.22	2.47
						23	9.78	2.32	10.22	2.36	10.67	2.40	10.89	2.42	11.12	2.45	11.58	2.49	12.04	2.53
						25	9.60	2.37	10.03	2.42	10.48	2.46	10.71	2.48	10.93	2.51	11.39	2.55	11.86	2.59
						27	9.41	2.43	9.85	2.48	10.29	2.52	10.52	2.54	10.75	2.57	11.21	2.61	11.67	2.65
						29	9.22	2.49	9.66	2.54	10.11	2.58	10.33	2.61	10.56	2.63	11.02	2.67	11.49	2.72
						31	9.03	2.56	9.48	2.60	9.92	2.65	10.15	2.67	10.38	2.69	10.84	2.74	11.31	2.78
						33	8.85	2.62	9.29	2.66	9.74	2.71	9.97	2.73	10.19	2.75	10.66	2.80	11.12	2.84
						35	8.66	2.68	9.11	2.73	9.55	2.77	9.80	2.79	10.01	2.82	10.47	2.86	10.94	2.91
						37	8.48	2.75	8.92	2.79	9.37	2.84	9.60	2.86	9.83	2.88	10.29	2.93	10.76	2.98
						39	8.29	2.81	8.74	2.86	9.19	2.90	9.42	2.93	9.65	2.95	10.11	3.00	10.58	3.04
						42	8.02	2.91	8.46	2.96	8.91	3.01	9.14	3.03	9.37	3.05	9.84	3.10	10.31	3.14
44	7.83	2.98	8.28	3.03	8.73	3.07	8.96	3.10	9.19	3.12	9.66	3.17	10.13	3.21						
46	7.65	3.05	8.10	3.10	8.55	3.14	8.78	3.17	9.01	3.19	9.48	3.24	9.95	3.28						

12. Capacity Table

Combination (Capacity Index)				Combination (Total)	Combination (%)	Outdoor Temperature (°C, DB)	Indoor Temperature(°C, WB)													
							14		16		18		19		20		22		24	
							TC(kW)	PI(kW)	TC(kW)	PI(kW)	TC(kW)	PI(kW)	TC(kW)	PI(kW)	TC(kW)	PI(kW)	TC(kW)	PI(kW)	TC(kW)	PI(kW)
5000	5000	6800		16800	168%	10	11.02	2.04	11.45	2.09	11.89	2.13	12.11	2.15	12.34	2.17	12.79	2.22	13.25	2.26
						12	10.83	2.10	11.26	2.14	11.70	2.18	11.92	2.21	12.15	2.23	12.60	2.27	13.06	2.32
						14	10.64	2.15	11.07	2.20	11.51	2.24	11.74	2.26	11.96	2.28	12.41	2.33	12.87	2.37
						16	10.45	2.21	10.88	2.25	11.32	2.30	11.55	2.32	11.77	2.34	12.23	2.39	12.69	2.43
						18	10.26	2.27	10.69	2.31	11.14	2.36	11.36	2.38	11.58	2.40	12.04	2.45	12.50	2.49
						20	10.07	2.33	10.50	2.37	10.95	2.42	11.17	2.44	11.40	2.46	11.85	2.51	12.32	2.55
						21	9.97	2.36	10.41	2.40	10.85	2.45	11.08	2.47	11.30	2.49	11.76	2.54	12.22	2.58
						23	9.78	2.42	10.22	2.46	10.67	2.51	10.89	2.53	11.12	2.55	11.58	2.60	12.04	2.64
						25	9.60	2.48	10.03	2.52	10.48	2.57	10.71	2.59	10.93	2.61	11.39	2.66	11.86	2.71
						27	9.41	2.54	9.85	2.58	10.29	2.63	10.52	2.65	10.75	2.68	11.21	2.72	11.67	2.77
						29	9.22	2.60	9.66	2.65	10.11	2.69	10.33	2.72	10.56	2.74	11.02	2.79	11.49	2.83
						31	9.03	2.67	9.48	2.71	9.92	2.76	10.15	2.78	10.38	2.81	10.84	2.85	11.31	2.90
						33	8.85	2.73	9.29	2.78	9.74	2.83	9.97	2.85	10.19	2.87	10.66	2.92	11.12	2.97
						35	8.66	2.80	9.11	2.85	9.55	2.89	9.80	2.91	10.01	2.94	10.47	2.99	10.94	3.03
						37	8.48	2.87	8.92	2.91	9.37	2.96	9.60	2.98	9.83	3.01	10.29	3.06	10.76	3.10
						39	8.29	2.93	8.74	2.98	9.19	3.03	9.42	3.05	9.65	3.08	10.11	3.13	10.58	3.17
42	8.02	3.04	8.46	3.09	8.91	3.14	9.14	3.16	9.37	3.18	9.84	3.23	10.31	3.28						
44	7.83	3.11	8.28	3.16	8.73	3.21	8.96	3.23	9.19	3.26	9.66	3.30	10.13	3.35						
46	7.65	3.18	8.10	3.23	8.55	3.28	8.78	3.30	9.01	3.33	9.48	3.38	9.95	3.43						
2000	2000	2000	2000	8000	80%	10	7.07	1.67	9.97	1.71	10.16	1.76	10.28	1.78	10.40	1.79	10.69	1.83	11.03	1.87
						12	7.07	1.71	9.70	1.76	9.90	1.80	10.02	1.82	10.16	1.84	10.46	1.87	10.82	1.91
						14	7.07	1.76	9.44	1.80	9.66	1.84	9.79	1.86	9.93	1.88	10.24	1.92	10.61	1.95
						16	7.07	1.80	9.19	1.84	9.42	1.88	9.56	1.90	9.70	1.92	10.04	1.96	10.42	2.00
						18	7.07	1.85	8.95	1.89	9.20	1.93	9.34	1.95	9.49	1.97	9.84	2.01	10.24	2.04
						20	7.07	1.89	8.73	1.94	8.99	1.98	9.13	2.00	9.29	2.01	9.65	2.05	10.06	2.09
						21	7.07	1.92	8.62	1.96	8.88	2.00	9.03	2.02	9.20	2.04	9.57	2.08	9.98	2.11
						23	7.07	1.97	8.41	2.01	8.69	2.05	8.84	2.07	9.02	2.09	9.40	2.12	9.83	2.16
						25	7.07	2.02	8.21	2.06	8.50	2.10	8.67	2.12	8.84	2.14	9.24	2.17	9.68	2.21
						27	7.07	2.07	8.02	2.11	8.33	2.15	8.50	2.17	8.68	2.19	9.09	2.22	9.55	2.26
						29	7.07	2.12	7.84	2.16	8.16	2.20	8.34	2.22	8.53	2.24	8.96	2.28	9.43	2.31
						31	7.07	2.18	7.68	2.22	8.01	2.26	8.20	2.27	8.40	2.29	8.83	2.33	9.32	2.36
						33	7.07	2.23	7.52	2.27	7.87	2.31	8.06	2.33	8.27	2.35	8.72	2.38	9.22	2.42
						35	7.07	2.29	7.38	2.33	7.74	2.37	8.00	2.38	8.15	2.40	8.62	2.44	9.13	2.47
						37	7.07	2.35	7.25	2.39	7.62	2.42	7.83	2.44	8.05	2.46	8.53	2.50	9.05	2.53
						39	7.07	2.40	7.13	2.44	7.52	2.48	7.73	2.50	7.96	2.52	8.45	2.56	8.99	2.59
42	7.07	2.50	6.97	2.54	7.38	2.57	7.60	2.59	7.84	2.61	8.35	2.65	8.91	2.68						
44	7.07	2.56	6.87	2.60	7.30	2.64	7.53	2.65	7.77	2.67	8.30	2.71	8.87	2.74						
46	7.07	2.62	6.79	2.66	7.23	2.70	7.46	2.72	7.72	2.74	8.25	2.77	8.85	2.80						

12. Capacity Table

Combination (Capacity Index)				Combination (Total)	Combination (%)	Outdoor Temperature (°C,DB)	Indoor Temperature(°C, WB)													
							14		16		18		19		20		22		24	
							TC(kW)	PI(kW)	TC(kW)	PI(kW)	TC(kW)	PI(kW)	TC(kW)	PI(kW)	TC(kW)	PI(kW)	TC(kW)	PI(kW)	TC(kW)	PI(kW)
2000	2000	2000	2500	8500	85%	10	7.51	1.77	10.60	1.82	10.80	1.86	10.92	1.88	11.05	1.90	11.36	1.94	11.72	1.98
						12	7.51	1.81	10.31	1.86	10.52	1.90	10.65	1.92	10.79	1.94	11.12	1.98	11.49	2.02
						14	7.51	1.86	10.03	1.91	10.26	1.95	10.40	1.97	10.55	1.99	10.88	2.03	11.28	2.07
						16	7.51	1.91	9.77	1.95	10.01	1.99	10.15	2.02	10.31	2.04	10.66	2.08	11.07	2.11
						18	7.51	1.96	9.51	2.00	9.77	2.04	9.92	2.06	10.09	2.08	10.45	2.12	10.88	2.16
						20	7.51	2.01	9.27	2.05	9.55	2.09	9.70	2.11	9.87	2.13	10.26	2.17	10.69	2.21
						21	7.51	2.03	9.16	2.08	9.44	2.12	9.60	2.14	9.77	2.16	10.16	2.20	10.61	2.24
						23	7.51	2.08	8.93	2.13	9.23	2.17	9.40	2.19	9.58	2.21	9.98	2.25	10.44	2.29
						25	7.51	2.14	8.72	2.18	9.03	2.22	9.21	2.24	9.40	2.26	9.82	2.30	10.29	2.34
						27	7.51	2.19	8.52	2.23	8.85	2.28	9.03	2.30	9.23	2.32	9.66	2.36	10.15	2.39
						29	7.51	2.25	8.33	2.29	8.67	2.33	8.86	2.35	9.07	2.37	9.52	2.41	10.02	2.45
						31	7.51	2.30	8.16	2.35	8.51	2.39	8.71	2.41	8.92	2.43	9.38	2.47	9.90	2.50
						33	7.51	2.36	7.99	2.41	8.36	2.45	8.57	2.47	8.79	2.49	9.26	2.52	9.80	2.56
						35	7.51	2.42	7.84	2.46	8.23	2.51	8.50	2.52	8.66	2.55	9.16	2.58	9.70	2.62
						37	7.51	2.48	7.70	2.53	8.10	2.57	8.32	2.59	8.55	2.61	9.06	2.64	9.62	2.68
						39	7.51	2.55	7.57	2.59	7.99	2.63	8.21	2.65	8.45	2.67	8.97	2.71	9.55	2.74
42	7.51	2.64	7.40	2.68	7.84	2.72	8.07	2.74	8.33	2.76	8.87	2.80	9.47	2.84						
44	7.51	2.71	7.30	2.75	7.75	2.79	8.00	2.81	8.26	2.83	8.81	2.87	9.43	2.90						
46	7.51	2.78	7.21	2.82	7.68	2.86	7.93	2.88	8.20	2.90	8.77	2.93	9.40	2.97						
2000	2000	2000	3500	9500	95%	10	7.76	1.84	10.95	1.89	11.15	1.93	11.28	1.95	11.42	1.98	11.73	2.02	12.11	2.06
						12	7.76	1.89	10.65	1.93	10.87	1.98	11.00	2.00	11.15	2.02	11.48	2.06	11.87	2.10
						14	7.76	1.93	10.36	1.98	10.60	2.03	10.74	2.05	10.89	2.07	11.24	2.11	11.65	2.15
						16	7.76	1.98	10.09	2.03	10.34	2.07	10.49	2.10	10.65	2.12	11.01	2.16	11.44	2.20
						18	7.76	2.03	9.83	2.08	10.10	2.12	10.25	2.15	10.42	2.17	10.80	2.21	11.23	2.25
						20	7.76	2.09	9.58	2.13	9.86	2.18	10.02	2.20	10.20	2.22	10.60	2.26	11.05	2.30
						21	7.76	2.11	9.46	2.16	9.75	2.20	9.92	2.22	10.10	2.24	10.50	2.29	10.96	2.32
						23	7.76	2.17	9.23	2.21	9.53	2.26	9.71	2.28	9.90	2.30	10.31	2.34	10.79	2.38
						25	7.76	2.22	9.01	2.27	9.33	2.31	9.51	2.33	9.71	2.35	10.14	2.39	10.63	2.43
						27	7.76	2.28	8.80	2.32	9.14	2.37	9.33	2.39	9.53	2.41	9.98	2.45	10.48	2.49
						29	7.76	2.34	8.61	2.38	8.96	2.42	9.16	2.45	9.37	2.47	9.83	2.51	10.35	2.54
						31	7.76	2.40	8.43	2.44	8.79	2.48	9.00	2.50	9.22	2.52	9.69	2.56	10.23	2.60
						33	7.76	2.46	8.26	2.50	8.64	2.54	8.85	2.56	9.08	2.59	9.57	2.62	10.12	2.66
						35	7.76	2.52	8.10	2.56	8.50	2.61	8.78	2.62	8.95	2.65	9.46	2.69	10.02	2.72
						37	7.76	2.58	7.95	2.63	8.37	2.67	8.59	2.69	8.83	2.71	9.36	2.75	9.94	2.79
						39	7.76	2.65	7.82	2.69	8.25	2.73	8.48	2.75	8.73	2.77	9.27	2.81	9.87	2.85
42	7.76	2.75	7.64	2.79	8.09	2.83	8.34	2.85	8.60	2.87	9.16	2.91	9.78	2.95						
44	7.76	2.82	7.54	2.86	8.01	2.90	8.26	2.92	8.53	2.94	9.10	2.98	9.74	3.02						
46	7.76	2.89	7.45	2.93	7.93	2.97	8.19	2.99	8.47	3.01	9.06	3.05	9.71	3.09						

12. Capacity Table

Combination (Capacity Index)				Combination (Total)	Combination (%)	Outdoor Temperature (°C, DB)	Indoor Temperature(°C, WB)													
							14		16		18		19		20		22		24	
							TC(kW)	PI(kW)	TC(kW)	PI(kW)	TC(kW)	PI(kW)	TC(kW)	PI(kW)	TC(kW)	PI(kW)	TC(kW)	PI(kW)	TC(kW)	PI(kW)
2000	2000	2000	5000	11000	110%	10	7.68	1.89	10.83	1.94	11.04	1.98	11.16	2.01	11.30	2.03	11.61	2.07	11.99	2.11
						12	7.68	1.94	10.54	1.98	10.76	2.03	10.89	2.05	11.03	2.08	11.36	2.12	11.75	2.16
						14	7.68	1.99	10.26	2.03	10.49	2.08	10.63	2.10	10.78	2.12	11.13	2.17	11.53	2.21
						16	7.68	2.04	9.99	2.08	10.24	2.13	10.38	2.15	10.54	2.17	10.90	2.22	11.32	2.26
						18	7.68	2.09	9.73	2.14	9.99	2.18	10.14	2.20	10.31	2.22	10.69	2.27	11.12	2.31
						20	7.68	2.14	9.48	2.19	9.76	2.23	9.92	2.26	10.10	2.28	10.49	2.32	10.93	2.36
						21	7.68	2.17	9.36	2.22	9.65	2.26	9.81	2.28	9.99	2.30	10.39	2.35	10.84	2.39
						23	7.68	2.22	9.13	2.27	9.44	2.32	9.61	2.34	9.79	2.36	10.21	2.40	10.68	2.44
						25	7.68	2.28	8.92	2.33	9.23	2.37	9.41	2.39	9.61	2.42	10.04	2.46	10.52	2.50
						27	7.68	2.34	8.71	2.38	9.05	2.43	9.23	2.45	9.43	2.47	9.88	2.51	10.38	2.55
						29	7.68	2.40	8.52	2.44	8.87	2.49	9.06	2.51	9.27	2.53	9.73	2.57	10.24	2.61
						31	7.68	2.46	8.34	2.51	8.70	2.55	8.91	2.57	9.12	2.59	9.59	2.63	10.12	2.67
						33	7.68	2.52	8.17	2.57	8.55	2.61	8.76	2.63	8.98	2.65	9.47	2.70	10.02	2.73
						35	7.68	2.59	8.02	2.63	8.41	2.68	8.69	2.69	8.86	2.72	9.36	2.76	9.92	2.80
						37	7.68	2.65	7.87	2.70	8.28	2.74	8.51	2.76	8.74	2.78	9.26	2.82	9.84	2.86
						39	7.68	2.72	7.74	2.76	8.16	2.81	8.40	2.83	8.64	2.85	9.18	2.89	9.76	2.93
42	7.68	2.82	7.57	2.87	8.01	2.91	8.25	2.93	8.51	2.95	9.07	2.99	9.68	3.03						
44	7.68	2.89	7.46	2.94	7.92	2.98	8.18	3.00	8.44	3.02	9.01	3.06	9.64	3.10						
46	7.68	2.96	7.38	3.01	7.85	3.05	8.11	3.07	8.38	3.09	8.97	3.13	9.61	3.17						
2000	2000	2000	6800	12800	128%	10	8.02	1.97	11.32	2.02	11.53	2.06	11.66	2.09	11.81	2.11	12.14	2.16	12.52	2.20
						12	8.02	2.02	11.01	2.07	11.24	2.11	11.38	2.14	11.53	2.16	11.87	2.20	12.28	2.25
						14	8.02	2.07	10.72	2.12	10.96	2.16	11.11	2.19	11.27	2.21	11.63	2.25	12.05	2.30
						16	8.02	2.12	10.43	2.17	10.69	2.22	10.85	2.24	11.01	2.26	11.39	2.31	11.83	2.35
						18	8.02	2.17	10.16	2.22	10.44	2.27	10.60	2.29	10.77	2.32	11.17	2.36	11.62	2.40
						20	8.02	2.23	9.91	2.28	10.20	2.32	10.37	2.35	10.55	2.37	10.96	2.41	11.42	2.46
						21	8.02	2.26	9.78	2.31	10.08	2.35	10.25	2.38	10.44	2.40	10.86	2.44	11.33	2.48
						23	8.02	2.31	9.54	2.36	9.86	2.41	10.04	2.43	10.23	2.46	10.67	2.50	11.16	2.54
						25	8.02	2.37	9.32	2.42	9.65	2.47	9.84	2.49	10.04	2.51	10.49	2.56	10.99	2.60
						27	8.02	2.43	9.10	2.48	9.45	2.53	9.65	2.55	9.86	2.57	10.32	2.62	10.84	2.66
						29	8.02	2.50	8.90	2.54	9.27	2.59	9.47	2.61	9.69	2.64	10.17	2.68	10.70	2.72
						31	8.02	2.56	8.71	2.61	9.09	2.65	9.30	2.68	9.53	2.70	10.03	2.74	10.58	2.78
						33	8.02	2.62	8.54	2.67	8.93	2.72	9.15	2.74	9.39	2.76	9.90	2.81	10.46	2.85
						35	8.02	2.69	8.38	2.74	8.79	2.78	9.08	2.80	9.25	2.83	9.78	2.87	10.36	2.91
						37	8.02	2.76	8.23	2.81	8.65	2.85	8.89	2.87	9.14	2.90	9.68	2.94	10.28	2.98
						39	8.02	2.83	8.09	2.88	8.53	2.92	8.77	2.94	9.03	2.96	9.59	3.01	10.20	3.05
42	8.02	2.94	7.91	2.98	8.37	3.03	8.63	3.05	8.89	3.07	9.47	3.11	10.11	3.15						
44	8.02	3.01	7.80	3.06	8.28	3.10	8.54	3.12	8.82	3.14	9.42	3.19	10.07	3.23						
46	8.02	3.08	7.71	3.13	8.20	3.17	8.47	3.20	8.76	3.22	9.37	3.26	10.04	3.30						

12. Capacity Table

Combination (Capacity Index)				Combination (Total)	Combination (%)	Outdoor Temperature (°C, DB)	Indoor Temperature(°C, WB)													
							14		16		18		19		20		22		24	
							TC(kW)	PI(kW)	TC(kW)	PI(kW)	TC(kW)	PI(kW)	TC(kW)	PI(kW)	TC(kW)	PI(kW)	TC(kW)	PI(kW)	TC(kW)	PI(kW)
2000	2000	2500	2500	9000	90%	10	7.69	1.84	10.85	1.89	11.05	1.93	11.17	1.95	11.31	1.98	11.63	2.02	12.00	2.06
						12	7.69	1.89	10.55	1.93	10.77	1.98	10.90	2.00	11.05	2.02	11.38	2.06	11.76	2.10
						14	7.69	1.93	10.27	1.98	10.50	2.03	10.64	2.05	10.79	2.07	11.14	2.11	11.54	2.15
						16	7.69	1.98	10.00	2.03	10.25	2.07	10.39	2.10	10.55	2.12	10.91	2.16	11.33	2.20
						18	7.69	2.03	9.74	2.08	10.00	2.12	10.16	2.15	10.32	2.17	10.70	2.21	11.13	2.25
						20	7.69	2.09	9.49	2.13	9.77	2.18	9.93	2.20	10.11	2.22	10.50	2.26	10.95	2.30
						21	7.69	2.11	9.37	2.16	9.66	2.20	9.82	2.22	10.00	2.24	10.40	2.29	10.86	2.32
						23	7.69	2.17	9.14	2.21	9.45	2.26	9.62	2.28	9.80	2.30	10.22	2.34	10.69	2.38
						25	7.69	2.22	8.93	2.27	9.24	2.31	9.42	2.33	9.62	2.35	10.05	2.39	10.53	2.43
						27	7.69	2.28	8.72	2.32	9.06	2.37	9.24	2.39	9.44	2.41	9.89	2.45	10.39	2.49
						29	7.69	2.34	8.53	2.38	8.88	2.42	9.07	2.45	9.28	2.47	9.74	2.51	10.26	2.54
						31	7.69	2.40	8.35	2.44	8.71	2.48	8.92	2.50	9.13	2.52	9.61	2.56	10.14	2.60
						33	7.69	2.46	8.18	2.50	8.56	2.54	8.77	2.56	8.99	2.59	9.48	2.62	10.03	2.66
						35	7.69	2.52	8.03	2.56	8.42	2.61	8.70	2.62	8.87	2.65	9.37	2.69	9.93	2.72
						37	7.69	2.58	7.88	2.63	8.29	2.67	8.51	2.69	8.75	2.71	9.27	2.75	9.85	2.79
						39	7.69	2.65	7.75	2.69	8.17	2.73	8.41	2.75	8.65	2.77	9.19	2.81	9.78	2.85
42	7.69	2.75	7.58	2.79	8.02	2.83	8.26	2.85	8.52	2.87	9.08	2.91	9.69	2.95						
44	7.69	2.82	7.47	2.86	7.93	2.90	8.19	2.92	8.45	2.94	9.02	2.98	9.65	3.02						
46	7.69	2.89	7.38	2.93	7.86	2.97	8.12	2.99	8.39	3.01	8.98	3.05	9.62	3.09						
2000	2000	2500	3500	10000	100%	10	7.82	1.84	11.03	1.89	11.24	1.93	11.37	1.95	11.51	1.98	11.83	2.02	12.21	2.06
						12	7.82	1.89	10.73	1.93	10.96	1.98	11.09	2.00	11.24	2.02	11.57	2.06	11.97	2.10
						14	7.82	1.93	10.44	1.98	10.68	2.03	10.82	2.05	10.98	2.07	11.33	2.11	11.74	2.15
						16	7.82	1.98	10.17	2.03	10.42	2.07	10.57	2.10	10.73	2.12	11.10	2.16	11.53	2.20
						18	7.82	2.03	9.91	2.08	10.18	2.12	10.33	2.15	10.50	2.17	10.88	2.21	11.32	2.25
						20	7.82	2.09	9.65	2.13	9.94	2.18	10.10	2.20	10.28	2.22	10.68	2.26	11.13	2.30
						21	7.82	2.11	9.53	2.16	9.83	2.20	9.99	2.22	10.18	2.24	10.58	2.29	11.04	2.32
						23	7.82	2.17	9.30	2.21	9.61	2.26	9.78	2.28	9.97	2.30	10.39	2.34	10.87	2.38
						25	7.82	2.22	9.08	2.27	9.40	2.31	9.59	2.33	9.78	2.35	10.22	2.39	10.71	2.43
						27	7.82	2.28	8.87	2.32	9.21	2.37	9.40	2.39	9.61	2.41	10.06	2.45	10.57	2.49
						29	7.82	2.34	8.68	2.38	9.03	2.42	9.23	2.45	9.44	2.47	9.91	2.51	10.43	2.54
						31	7.82	2.40	8.49	2.44	8.86	2.48	9.07	2.50	9.29	2.52	9.77	2.56	10.31	2.60
						33	7.82	2.46	8.32	2.50	8.71	2.54	8.92	2.56	9.15	2.59	9.65	2.62	10.20	2.66
						35	7.82	2.52	8.16	2.56	8.56	2.61	8.85	2.62	9.02	2.65	9.53	2.69	10.10	2.72
						37	7.82	2.58	8.02	2.63	8.43	2.67	8.66	2.69	8.90	2.71	9.43	2.75	10.02	2.79
						39	7.82	2.65	7.88	2.69	8.31	2.73	8.55	2.75	8.80	2.77	9.34	2.81	9.94	2.85
42	7.82	2.75	7.71	2.79	8.16	2.83	8.41	2.85	8.67	2.87	9.23	2.91	9.86	2.95						
44	7.82	2.82	7.60	2.86	8.07	2.90	8.33	2.92	8.60	2.94	9.18	2.98	9.82	3.02						
46	7.82	2.89	7.51	2.93	8.00	2.97	8.26	2.99	8.54	3.01	9.13	3.05	9.79	3.09						

12. Capacity Table

Combination (Capacity Index)				Combination (Total)	Combination (%)	Outdoor Temperature (°C, DB)	Indoor Temperature(°C, WB)													
							14		16		18		19		20		22		24	
							TC(kW)	PI(kW)	TC(kW)	PI(kW)	TC(kW)	PI(kW)	TC(kW)	PI(kW)	TC(kW)	PI(kW)	TC(kW)	PI(kW)	TC(kW)	PI(kW)
2000	2000	2500	5000	11500	115%	10	7.78	1.92	10.97	1.97	11.18	2.01	11.30	2.04	11.44	2.06	11.76	2.10	12.14	2.14
						12	7.78	1.97	10.67	2.01	10.89	2.06	11.03	2.08	11.17	2.11	11.51	2.15	11.90	2.19
						14	7.78	2.02	10.39	2.06	10.62	2.11	10.76	2.13	10.92	2.16	11.27	2.20	11.67	2.24
						16	7.78	2.07	10.11	2.11	10.36	2.16	10.51	2.18	10.67	2.21	11.04	2.25	11.46	2.29
						18	7.78	2.12	9.85	2.17	10.12	2.21	10.27	2.24	10.44	2.26	10.82	2.30	11.26	2.34
						20	7.78	2.17	9.60	2.22	9.88	2.27	10.05	2.29	10.22	2.31	10.62	2.35	11.07	2.39
						21	7.78	2.20	9.48	2.25	9.77	2.29	9.94	2.32	10.12	2.34	10.52	2.38	10.98	2.42
						23	7.78	2.26	9.25	2.30	9.56	2.35	9.73	2.37	9.92	2.39	10.34	2.44	10.81	2.48
						25	7.78	2.31	9.03	2.36	9.35	2.41	9.53	2.43	9.73	2.45	10.16	2.49	10.65	2.53
						27	7.78	2.37	8.82	2.42	9.16	2.47	9.35	2.49	9.55	2.51	10.00	2.55	10.51	2.59
						29	7.78	2.43	8.63	2.48	8.98	2.53	9.18	2.55	9.39	2.57	9.85	2.61	10.37	2.65
						31	7.78	2.50	8.45	2.54	8.81	2.59	9.02	2.61	9.24	2.63	9.72	2.67	10.25	2.71
						33	7.78	2.56	8.28	2.61	8.66	2.65	8.87	2.67	9.10	2.69	9.59	2.74	10.14	2.78
						35	7.78	2.62	8.12	2.67	8.52	2.71	8.80	2.73	8.97	2.76	9.48	2.80	10.05	2.84
						37	7.78	2.69	7.97	2.74	8.39	2.78	8.61	2.80	8.85	2.82	9.38	2.86	9.96	2.90
						39	7.78	2.76	7.84	2.80	8.27	2.85	8.50	2.87	8.75	2.89	9.29	2.93	9.89	2.97
42	7.78	2.86	7.66	2.91	8.11	2.95	8.36	2.97	8.62	2.99	9.18	3.04	9.80	3.07						
44	7.78	2.93	7.56	2.98	8.03	3.02	8.28	3.04	8.55	3.07	9.13	3.11	9.76	3.14						
46	7.78	3.01	7.47	3.05	7.95	3.10	8.21	3.12	8.49	3.14	9.08	3.18	9.73	3.22						
2000	2000	2500	6800	13300	133%	10	10.30	1.96	10.70	2.01	11.11	2.05	11.32	2.07	11.53	2.09	11.95	2.13	12.38	2.17
						12	10.12	2.02	10.53	2.06	10.94	2.10	11.15	2.12	11.35	2.14	11.78	2.19	12.21	2.23
						14	9.94	2.07	10.35	2.11	10.76	2.16	10.97	2.18	11.18	2.20	11.60	2.24	12.03	2.28
						16	9.76	2.13	10.17	2.17	10.58	2.21	10.79	2.23	11.00	2.25	11.43	2.30	11.86	2.34
						18	9.59	2.18	9.99	2.22	10.41	2.27	10.62	2.29	10.83	2.31	11.25	2.35	11.69	2.40
						20	9.41	2.24	9.82	2.28	10.23	2.32	10.44	2.35	10.65	2.37	11.08	2.41	11.51	2.45
						21	9.32	2.27	9.73	2.31	10.15	2.35	10.35	2.37	10.57	2.40	10.99	2.44	11.43	2.48
						23	9.15	2.32	9.55	2.37	9.97	2.41	10.18	2.43	10.39	2.46	10.82	2.50	11.25	2.54
						25	8.97	2.38	9.38	2.43	9.80	2.47	10.01	2.49	10.22	2.51	10.65	2.56	11.08	2.60
						27	8.79	2.44	9.20	2.49	9.62	2.53	9.83	2.55	10.05	2.58	10.47	2.62	10.91	2.66
						29	8.62	2.50	9.03	2.55	9.45	2.59	9.66	2.62	9.87	2.64	10.30	2.68	10.74	2.73
						31	8.44	2.57	8.86	2.61	9.28	2.66	9.49	2.68	9.70	2.70	10.13	2.75	10.57	2.79
						33	8.27	2.63	8.68	2.67	9.10	2.72	9.32	2.74	9.53	2.76	9.96	2.81	10.40	2.85
						35	8.10	2.69	8.51	2.74	8.93	2.78	9.16	2.80	9.36	2.83	9.79	2.87	10.23	2.92
						37	7.92	2.76	8.34	2.80	8.76	2.85	8.97	2.87	9.19	2.89	9.62	2.94	10.06	2.99
						39	7.75	2.82	8.17	2.87	8.59	2.92	8.80	2.94	9.02	2.96	9.45	3.01	9.89	3.05
42	7.49	2.92	7.91	2.97	8.33	3.02	8.55	3.04	8.76	3.06	9.20	3.11	9.64	3.16						
44	7.32	2.99	7.74	3.04	8.16	3.09	8.38	3.11	8.59	3.13	9.03	3.18	9.47	3.23						
46	7.15	3.06	7.57	3.11	7.99	3.16	8.21	3.18	8.42	3.20	8.86	3.25	9.30	3.30						

12. Capacity Table

Combination (Capacity Index)				Combination (Total)	Combination (%)	Outdoor Temperature (°C,DB)	Indoor Temperature(°C, WB)													
							14		16		18		19		20		22		24	
							TC(kW)	PI(kW)	TC(kW)	PI(kW)	TC(kW)	PI(kW)	TC(kW)	PI(kW)	TC(kW)	PI(kW)	TC(kW)	PI(kW)	TC(kW)	PI(kW)
2000	2000	3500	3500	11000	110%	10	7.69	1.88	10.85	1.93	11.05	1.98	11.17	2.00	11.31	2.02	11.63	2.06	12.00	2.10
						12	7.69	1.93	10.55	1.98	10.77	2.02	10.90	2.05	11.05	2.07	11.38	2.11	11.76	2.15
						14	7.69	1.98	10.27	2.03	10.50	2.07	10.64	2.09	10.79	2.12	11.14	2.16	11.54	2.20
						16	7.69	2.03	10.00	2.08	10.25	2.12	10.39	2.14	10.55	2.17	10.91	2.21	11.33	2.25
						18	7.69	2.08	9.74	2.13	10.00	2.17	10.16	2.19	10.32	2.22	10.70	2.26	11.13	2.30
						20	7.69	2.13	9.49	2.18	9.77	2.23	9.93	2.25	10.11	2.27	10.50	2.31	10.95	2.35
						21	7.69	2.16	9.37	2.21	9.66	2.25	9.82	2.27	10.00	2.30	10.40	2.34	10.86	2.38
						23	7.69	2.22	9.14	2.26	9.45	2.31	9.62	2.33	9.80	2.35	10.22	2.39	10.69	2.43
						25	7.69	2.27	8.93	2.32	9.24	2.36	9.42	2.38	9.62	2.41	10.05	2.45	10.53	2.49
						27	7.69	2.33	8.72	2.38	9.06	2.42	9.24	2.44	9.44	2.46	9.89	2.50	10.39	2.54
						29	7.69	2.39	8.53	2.44	8.88	2.48	9.07	2.50	9.28	2.52	9.74	2.56	10.26	2.60
						31	7.69	2.45	8.35	2.50	8.71	2.54	8.92	2.56	9.13	2.58	9.61	2.62	10.14	2.66
						33	7.69	2.51	8.18	2.56	8.56	2.60	8.77	2.62	8.99	2.64	9.48	2.69	10.03	2.72
						35	7.69	2.58	8.03	2.62	8.42	2.67	8.70	2.68	8.87	2.71	9.37	2.75	9.93	2.79
						37	7.69	2.64	7.88	2.69	8.29	2.73	8.51	2.75	8.75	2.77	9.27	2.81	9.85	2.85
						39	7.69	2.71	7.75	2.75	8.17	2.80	8.41	2.82	8.65	2.84	9.19	2.88	9.78	2.92
42	7.69	2.81	7.58	2.85	8.02	2.90	8.26	2.92	8.52	2.94	9.08	2.98	9.69	3.02						
44	7.69	2.88	7.47	2.92	7.93	2.97	8.19	2.99	8.45	3.01	9.02	3.05	9.65	3.09						
46	7.69	2.95	7.38	3.00	7.86	3.04	8.12	3.06	8.39	3.08	8.98	3.12	9.62	3.16						
2000	2000	3500	5000	12500	125%	10	7.95	1.96	11.22	2.01	11.43	2.06	11.56	2.08	11.70	2.10	12.03	2.15	12.41	2.19
						12	7.95	2.01	10.91	2.06	11.14	2.11	11.28	2.13	11.43	2.15	11.77	2.20	12.17	2.24
						14	7.95	2.06	10.62	2.11	10.86	2.16	11.01	2.18	11.17	2.20	11.52	2.25	11.94	2.29
						16	7.95	2.11	10.34	2.16	10.60	2.21	10.75	2.23	10.92	2.25	11.29	2.30	11.72	2.34
						18	7.95	2.17	10.07	2.21	10.35	2.26	10.51	2.28	10.68	2.31	11.07	2.35	11.52	2.39
						20	7.95	2.22	9.82	2.27	10.11	2.32	10.27	2.34	10.46	2.36	10.86	2.41	11.32	2.45
						21	7.95	2.25	9.70	2.30	9.99	2.34	10.16	2.37	10.35	2.39	10.76	2.43	11.23	2.48
						23	7.95	2.31	9.46	2.35	9.77	2.40	9.95	2.42	10.14	2.45	10.57	2.49	11.06	2.53
						25	7.95	2.37	9.23	2.41	9.56	2.46	9.75	2.48	9.95	2.50	10.39	2.55	10.89	2.59
						27	7.95	2.43	9.02	2.47	9.37	2.52	9.56	2.54	9.77	2.56	10.23	2.61	10.75	2.65
						29	7.95	2.49	8.82	2.54	9.18	2.58	9.39	2.60	9.60	2.63	10.08	2.67	10.61	2.71
						31	7.95	2.55	8.64	2.60	9.01	2.64	9.22	2.67	9.45	2.69	9.94	2.73	10.48	2.77
						33	7.95	2.62	8.46	2.66	8.86	2.71	9.07	2.73	9.30	2.75	9.81	2.80	10.37	2.84
						35	7.95	2.68	8.30	2.73	8.71	2.77	9.00	2.79	9.17	2.82	9.69	2.86	10.27	2.90
						37	7.95	2.75	8.15	2.80	8.58	2.84	8.81	2.86	9.06	2.89	9.59	2.93	10.19	2.97
						39	7.95	2.82	8.02	2.87	8.46	2.91	8.70	2.93	8.95	2.95	9.50	3.00	10.11	3.04
42	7.95	2.93	7.84	2.97	8.30	3.02	8.55	3.04	8.82	3.06	9.39	3.10	10.02	3.14						
44	7.95	3.00	7.73	3.04	8.21	3.09	8.47	3.11	8.74	3.13	9.33	3.17	9.98	3.21						
46	7.95	3.07	7.64	3.12	8.13	3.16	8.40	3.19	8.68	3.21	9.29	3.25	9.95	3.29						

12. Capacity Table

Combination (Capacity Index)				Combination (Total)	Combination (%)	Outdoor Temperature (°C, DB)	Indoor Temperature(°C, WB)															
							14		16		18		19		20		22		24			
							TC(kW)	PI(kW)	TC(kW)	PI(kW)	TC(kW)	PI(kW)	TC(kW)	PI(kW)	TC(kW)	PI(kW)	TC(kW)	PI(kW)	TC(kW)	PI(kW)		
2000	2000	3500	6800	14300	143%	10	10.52	1.94	10.94	1.98	11.36	2.02	11.57	2.04	11.78	2.06	12.22	2.10	12.65	2.14		
						12	10.34	1.99	10.76	2.03	11.18	2.07	11.39	2.09	11.60	2.11	12.04	2.15	12.47	2.20		
						14	10.16	2.04	10.57	2.08	11.00	2.12	11.21	2.15	11.42	2.17	11.86	2.21	12.30	2.25		
						16	9.98	2.09	10.39	2.14	10.82	2.18	11.03	2.20	11.24	2.22	11.68	2.26	12.12	2.31		
						18	9.80	2.15	10.21	2.19	10.64	2.23	10.85	2.26	11.06	2.28	11.50	2.32	11.94	2.36		
						20	9.62	2.21	10.03	2.25	10.46	2.29	10.67	2.31	10.89	2.33	11.32	2.38	11.76	2.42		
						21	9.52	2.23	9.94	2.28	10.37	2.32	10.58	2.34	10.80	2.36	11.23	2.40	11.68	2.45		
						23	9.34	2.29	9.76	2.33	10.19	2.38	10.40	2.40	10.62	2.42	11.06	2.46	11.50	2.51		
						25	9.17	2.35	9.58	2.39	10.01	2.44	10.23	2.46	10.44	2.48	10.88	2.52	11.32	2.57		
						27	8.99	2.41	9.41	2.45	9.83	2.50	10.05	2.52	10.26	2.54	10.70	2.58	11.15	2.63		
						29	8.81	2.47	9.23	2.51	9.65	2.56	9.87	2.58	10.09	2.60	10.53	2.64	10.97	2.69		
						31	8.63	2.53	9.05	2.57	9.48	2.62	9.69	2.64	9.91	2.66	10.35	2.71	10.80	2.75		
						33	8.45	2.59	8.87	2.64	9.30	2.68	9.52	2.70	9.74	2.72	10.18	2.77	10.63	2.81		
						35	8.27	2.65	8.70	2.70	9.13	2.74	9.36	2.76	9.56	2.79	10.00	2.83	10.45	2.88		
						37	8.10	2.72	8.52	2.76	8.95	2.81	9.17	2.83	9.39	2.85	9.83	2.90	10.28	2.94		
						39	7.92	2.78	8.34	2.83	8.78	2.87	8.99	2.90	9.21	2.92	9.66	2.96	10.11	3.01		
42	7.66	2.88	8.08	2.93	8.51	2.97	8.73	3.00	8.95	3.02	9.40	3.06	9.85	3.11								
44	7.48	2.95	7.91	3.00	8.34	3.04	8.56	3.06	8.78	3.09	9.23	3.13	9.68	3.18								
46	7.31	3.02	7.73	3.06	8.17	3.11	8.39	3.13	8.61	3.16	9.05	3.20	9.51	3.25								
2000	2000	5000	5000	14000	140%	10	10.46	2.00	10.87	2.04	11.28	2.08	11.50	2.11	11.71	2.13	12.14	2.17	12.57	2.21		
						12	10.28	2.05	10.69	2.10	11.10	2.14	11.32	2.16	11.53	2.18	11.96	2.22	12.39	2.27		
						14	10.09	2.11	10.51	2.15	10.92	2.19	11.14	2.22	11.35	2.24	11.78	2.28	12.22	2.32		
						16	9.91	2.16	10.33	2.21	10.75	2.25	10.96	2.27	11.17	2.29	11.60	2.34	12.04	2.38		
						18	9.73	2.22	10.15	2.26	10.57	2.31	10.78	2.33	10.99	2.35	11.43	2.39	11.86	2.44		
						20	9.55	2.28	9.97	2.32	10.39	2.37	10.60	2.39	10.82	2.41	11.25	2.45	11.69	2.50		
						21	9.46	2.31	9.88	2.35	10.30	2.39	10.51	2.42	10.73	2.44	11.16	2.48	11.60	2.53		
						23	9.28	2.37	9.70	2.41	10.12	2.45	10.34	2.48	10.55	2.50	10.99	2.54	11.43	2.59		
						25	9.11	2.43	9.52	2.47	9.95	2.52	10.16	2.54	10.37	2.56	10.81	2.60	11.25	2.65		
						27	8.93	2.49	9.35	2.53	9.77	2.58	9.98	2.60	10.20	2.62	10.63	2.67	11.08	2.71		
						29	8.75	2.55	9.17	2.59	9.59	2.64	9.81	2.66	10.02	2.68	10.46	2.73	10.90	2.78		
						31	8.57	2.61	8.99	2.66	9.42	2.70	9.63	2.73	9.85	2.75	10.29	2.79	10.73	2.84		
						33	8.40	2.68	8.82	2.72	9.24	2.77	9.46	2.79	9.67	2.81	10.11	2.86	10.56	2.91		
						35	8.22	2.74	8.64	2.79	9.07	2.83	9.30	2.85	9.50	2.88	9.94	2.93	10.38	2.97		
						37	8.04	2.81	8.47	2.85	8.89	2.90	9.11	2.92	9.33	2.95	9.77	2.99	10.21	3.04		
						39	7.87	2.87	8.29	2.92	8.72	2.97	8.94	2.99	9.15	3.01	9.59	3.06	10.04	3.11		
42	7.61	2.98	8.03	3.02	8.46	3.07	8.68	3.09	8.90	3.12	9.34	3.16	9.79	3.21								
44	7.43	3.05	7.86	3.09	8.29	3.14	8.50	3.16	8.72	3.19	9.17	3.24	9.61	3.28								
46	7.26	3.12	7.68	3.16	8.11	3.21	8.33	3.24	8.55	3.26	9.00	3.31	9.45	3.35								

12. Capacity Table

Combination (Capacity Index)				Combination (Total)	Combination (%)	Outdoor Temperature (°C,DB)	Indoor Temperature(°C, WB)															
							14		16		18		19		20		22		24			
							TC(kW)	PI(kW)	TC(kW)	PI(kW)	TC(kW)	PI(kW)	TC(kW)	PI(kW)	TC(kW)	PI(kW)	TC(kW)	PI(kW)	TC(kW)	PI(kW)		
2000	2000	5000	6800	15800	158%	10	11.02	2.01	11.45	2.06	11.89	2.10	12.11	2.12	12.34	2.14	12.79	2.19	13.25	2.23		
						12	10.83	2.07	11.26	2.11	11.70	2.15	11.92	2.18	12.15	2.20	12.60	2.24	13.06	2.28		
						14	10.64	2.12	11.07	2.17	11.51	2.21	11.74	2.23	11.96	2.25	12.41	2.30	12.87	2.34		
						16	10.45	2.18	10.88	2.22	11.32	2.27	11.55	2.29	11.77	2.31	12.23	2.35	12.69	2.40		
						18	10.26	2.24	10.69	2.28	11.14	2.32	11.36	2.35	11.58	2.37	12.04	2.41	12.50	2.46		
						20	10.07	2.29	10.50	2.34	10.95	2.38	11.17	2.40	11.40	2.43	11.85	2.47	12.32	2.52		
						21	9.97	2.32	10.41	2.37	10.85	2.41	11.08	2.43	11.30	2.46	11.76	2.50	12.22	2.55		
						23	9.78	2.38	10.22	2.43	10.67	2.47	10.89	2.49	11.12	2.52	11.58	2.56	12.04	2.61		
						25	9.60	2.44	10.03	2.49	10.48	2.53	10.71	2.56	10.93	2.58	11.39	2.62	11.86	2.67		
						27	9.41	2.50	9.85	2.55	10.29	2.59	10.52	2.62	10.75	2.64	11.21	2.69	11.67	2.73		
						29	9.22	2.57	9.66	2.61	10.11	2.66	10.33	2.68	10.56	2.70	11.02	2.75	11.49	2.79		
						31	9.03	2.63	9.48	2.68	9.92	2.72	10.15	2.74	10.38	2.77	10.84	2.81	11.31	2.86		
						33	8.85	2.69	9.29	2.74	9.74	2.79	9.97	2.81	10.19	2.83	10.66	2.88	11.12	2.93		
						35	8.66	2.76	9.11	2.81	9.55	2.85	9.80	2.87	10.01	2.90	10.47	2.95	10.94	2.99		
						37	8.48	2.83	8.92	2.87	9.37	2.92	9.60	2.94	9.83	2.97	10.29	3.01	10.76	3.06		
						39	8.29	2.89	8.74	2.94	9.19	2.99	9.42	3.01	9.65	3.04	10.11	3.08	10.58	3.13		
42	8.02	3.00	8.46	3.04	8.91	3.09	9.14	3.12	9.37	3.14	9.84	3.19	10.31	3.23								
44	7.83	3.07	8.28	3.11	8.73	3.16	8.96	3.19	9.19	3.21	9.66	3.26	10.13	3.31								
46	7.65	3.14	8.10	3.19	8.55	3.23	8.78	3.26	9.01	3.28	9.48	3.33	9.95	3.38								
2000	2500	2500	2500	9500	95%	10	7.76	1.84	10.95	1.89	11.15	1.93	11.28	1.95	11.42	1.98	11.73	2.02	12.11	2.06		
						12	7.76	1.89	10.65	1.93	10.87	1.98	11.00	2.00	11.15	2.02	11.48	2.06	11.87	2.10		
						14	7.76	1.93	10.36	1.98	10.60	2.03	10.74	2.05	10.89	2.07	11.24	2.11	11.65	2.15		
						16	7.76	1.98	10.09	2.03	10.34	2.07	10.49	2.10	10.65	2.12	11.01	2.16	11.44	2.20		
						18	7.76	2.03	9.83	2.08	10.10	2.12	10.25	2.15	10.42	2.17	10.80	2.21	11.23	2.25		
						20	7.76	2.09	9.58	2.13	9.86	2.18	10.02	2.20	10.20	2.22	10.60	2.26	11.05	2.30		
						21	7.76	2.11	9.46	2.16	9.75	2.20	9.92	2.22	10.10	2.24	10.50	2.29	10.96	2.32		
						23	7.76	2.17	9.23	2.21	9.53	2.26	9.71	2.28	9.90	2.30	10.31	2.34	10.79	2.38		
						25	7.76	2.22	9.01	2.27	9.33	2.31	9.51	2.33	9.71	2.35	10.14	2.39	10.63	2.43		
						27	7.76	2.28	8.80	2.32	9.14	2.37	9.33	2.39	9.53	2.41	9.98	2.45	10.48	2.49		
						29	7.76	2.34	8.61	2.38	8.96	2.42	9.16	2.45	9.37	2.47	9.83	2.51	10.35	2.54		
						31	7.76	2.40	8.43	2.44	8.79	2.48	9.00	2.50	9.22	2.52	9.69	2.56	10.23	2.60		
						33	7.76	2.46	8.26	2.50	8.64	2.54	8.85	2.56	9.08	2.59	9.57	2.62	10.12	2.66		
						35	7.76	2.52	8.10	2.56	8.50	2.61	8.78	2.62	8.95	2.65	9.46	2.69	10.02	2.72		
						37	7.76	2.58	7.95	2.63	8.37	2.67	8.59	2.69	8.83	2.71	9.36	2.75	9.94	2.79		
						39	7.76	2.65	7.82	2.69	8.25	2.73	8.48	2.75	8.73	2.77	9.27	2.81	9.87	2.85		
42	7.76	2.75	7.64	2.79	8.09	2.83	8.34	2.85	8.60	2.87	9.16	2.91	9.78	2.95								
44	7.76	2.82	7.54	2.86	8.01	2.90	8.26	2.92	8.53	2.94	9.10	2.98	9.74	3.02								
46	7.76	2.89	7.45	2.93	7.93	2.97	8.19	2.99	8.47	3.01	9.06	3.05	9.71	3.09								

12. Capacity Table

Combination (Capacity Index)				Combination (Total)	Combination (%)	Outdoor Temperature (°C, DB)	Indoor Temperature(°C, WB)													
							14		16		18		19		20		22		24	
							TC(kW)	PI(kW)	TC(kW)	PI(kW)	TC(kW)	PI(kW)	TC(kW)	PI(kW)	TC(kW)	PI(kW)	TC(kW)	PI(kW)	TC(kW)	PI(kW)
2000	2500	2500	3500	10500	105%	10	7.90	1.88	11.14	1.92	11.36	1.97	11.48	1.99	11.62	2.01	11.95	2.06	12.33	2.10
						12	7.90	1.92	10.84	1.97	11.07	2.02	11.20	2.04	11.35	2.06	11.69	2.10	12.09	2.14
						14	7.90	1.97	10.55	2.02	10.79	2.06	10.93	2.09	11.09	2.11	11.45	2.15	11.86	2.19
						16	7.90	2.02	10.27	2.07	10.53	2.11	10.68	2.14	10.84	2.16	11.22	2.20	11.64	2.24
						18	7.90	2.07	10.01	2.12	10.28	2.16	10.44	2.19	10.61	2.21	11.00	2.25	11.44	2.29
						20	7.90	2.13	9.75	2.17	10.04	2.22	10.21	2.24	10.39	2.26	10.79	2.30	11.25	2.34
						21	7.90	2.15	9.63	2.20	9.93	2.24	10.10	2.27	10.28	2.29	10.69	2.33	11.16	2.37
						23	7.90	2.21	9.40	2.25	9.71	2.30	9.88	2.32	10.08	2.34	10.50	2.38	10.98	2.42
						25	7.90	2.26	9.17	2.31	9.50	2.35	9.68	2.38	9.88	2.40	10.32	2.44	10.82	2.48
						27	7.90	2.32	8.96	2.37	9.31	2.41	9.50	2.43	9.70	2.45	10.16	2.50	10.67	2.54
						29	7.90	2.38	8.77	2.43	9.12	2.47	9.32	2.49	9.54	2.51	10.01	2.55	10.54	2.59
						31	7.90	2.44	8.58	2.49	8.95	2.53	9.16	2.55	9.38	2.57	9.87	2.61	10.41	2.65
						33	7.90	2.50	8.41	2.55	8.80	2.59	9.01	2.61	9.24	2.63	9.74	2.68	10.30	2.71
						35	7.90	2.57	8.25	2.61	8.65	2.66	8.94	2.67	9.11	2.70	9.63	2.74	10.20	2.78
						37	7.90	2.63	8.10	2.68	8.52	2.72	8.75	2.74	8.99	2.76	9.53	2.80	10.12	2.84
						39	7.90	2.70	7.96	2.74	8.40	2.79	8.64	2.81	8.89	2.83	9.44	2.87	10.05	2.91
42	7.90	2.80	7.78	2.84	8.24	2.89	8.49	2.91	8.76	2.93	9.33	2.97	9.96	3.01						
44	7.90	2.87	7.68	2.91	8.15	2.96	8.41	2.98	8.68	3.00	9.27	3.04	9.91	3.08						
46	7.90	2.94	7.59	2.98	8.08	3.03	8.34	3.05	8.62	3.07	9.22	3.11	9.88	3.15						
2000	2500	2500	5000	12000	120%	10	7.85	1.92	11.07	1.97	11.28	2.01	11.41	2.04	11.55	2.06	11.87	2.10	12.25	2.14
						12	7.85	1.97	10.77	2.01	10.99	2.06	11.13	2.08	11.28	2.11	11.61	2.15	12.01	2.19
						14	7.85	2.02	10.48	2.06	10.72	2.11	10.86	2.13	11.02	2.16	11.37	2.20	11.78	2.24
						16	7.85	2.07	10.20	2.11	10.46	2.16	10.61	2.18	10.77	2.21	11.14	2.25	11.57	2.29
						18	7.85	2.12	9.94	2.17	10.21	2.21	10.37	2.24	10.54	2.26	10.92	2.30	11.36	2.34
						20	7.85	2.17	9.69	2.22	9.97	2.27	10.14	2.29	10.32	2.31	10.72	2.35	11.17	2.39
						21	7.85	2.20	9.57	2.25	9.86	2.29	10.03	2.32	10.21	2.34	10.62	2.38	11.08	2.42
						23	7.85	2.26	9.33	2.30	9.64	2.35	9.82	2.37	10.01	2.39	10.43	2.44	10.91	2.48
						25	7.85	2.31	9.11	2.36	9.44	2.41	9.62	2.43	9.82	2.45	10.26	2.49	10.75	2.53
						27	7.85	2.37	8.90	2.42	9.24	2.47	9.43	2.49	9.64	2.51	10.09	2.55	10.60	2.59
						29	7.85	2.43	8.71	2.48	9.06	2.53	9.26	2.55	9.47	2.57	9.94	2.61	10.47	2.65
						31	7.85	2.50	8.52	2.54	8.89	2.59	9.10	2.61	9.32	2.63	9.80	2.67	10.34	2.71
						33	7.85	2.56	8.35	2.61	8.74	2.65	8.95	2.67	9.18	2.69	9.68	2.74	10.23	2.78
						35	7.85	2.62	8.19	2.67	8.59	2.71	8.88	2.73	9.05	2.76	9.57	2.80	10.14	2.84
						37	7.85	2.69	8.05	2.74	8.46	2.78	8.69	2.80	8.93	2.82	9.46	2.86	10.05	2.90
						39	7.85	2.76	7.91	2.80	8.34	2.85	8.58	2.87	8.83	2.89	9.38	2.93	9.98	2.97
42	7.85	2.86	7.73	2.91	8.19	2.95	8.44	2.97	8.70	2.99	9.27	3.04	9.89	3.07						
44	7.85	2.93	7.63	2.98	8.10	3.02	8.35	3.04	8.62	3.07	9.21	3.11	9.85	3.14						
46	7.85	3.01	7.54	3.05	8.02	3.10	8.29	3.12	8.56	3.14	9.16	3.18	9.82	3.22						

12. Capacity Table

Combination (Capacity Index)				Combination (Total)	Combination (%)	Outdoor Temperature (°C,DB)	Indoor Temperature(°C, WB)													
							14		16		18		19		20		22		24	
							TC(kW)	PI(kW)	TC(kW)	PI(kW)	TC(kW)	PI(kW)	TC(kW)	PI(kW)	TC(kW)	PI(kW)	TC(kW)	PI(kW)	TC(kW)	PI(kW)
2000	2500	2500	6800	13800	138%	10	10.41	2.00	10.82	2.04	11.24	2.08	11.45	2.11	11.66	2.13	12.08	2.17	12.52	2.21
						12	10.23	2.05	10.64	2.10	11.06	2.14	11.27	2.16	11.48	2.18	11.91	2.22	12.34	2.27
						14	10.05	2.11	10.46	2.15	10.88	2.19	11.09	2.22	11.30	2.24	11.73	2.28	12.16	2.32
						16	9.87	2.16	10.28	2.21	10.70	2.25	10.91	2.27	11.12	2.29	11.55	2.34	11.99	2.38
						18	9.69	2.22	10.10	2.26	10.52	2.31	10.73	2.33	10.95	2.35	11.38	2.39	11.81	2.44
						20	9.51	2.28	9.93	2.32	10.34	2.37	10.56	2.39	10.77	2.41	11.20	2.45	11.64	2.50
						21	9.42	2.31	9.84	2.35	10.26	2.39	10.47	2.42	10.68	2.44	11.11	2.48	11.55	2.53
						23	9.24	2.37	9.66	2.41	10.08	2.45	10.29	2.48	10.51	2.50	10.94	2.54	11.38	2.59
						25	9.07	2.43	9.48	2.47	9.90	2.52	10.12	2.54	10.33	2.56	10.76	2.60	11.20	2.65
						27	8.89	2.49	9.31	2.53	9.73	2.58	9.94	2.60	10.16	2.62	10.59	2.67	11.03	2.71
						29	8.71	2.55	9.13	2.59	9.55	2.64	9.77	2.66	9.98	2.68	10.42	2.73	10.86	2.78
						31	8.54	2.61	8.95	2.66	9.38	2.70	9.59	2.73	9.81	2.75	10.24	2.79	10.68	2.84
						33	8.36	2.68	8.78	2.72	9.20	2.77	9.42	2.79	9.63	2.81	10.07	2.86	10.51	2.91
						35	8.18	2.74	8.60	2.79	9.03	2.83	9.26	2.85	9.46	2.88	9.90	2.93	10.34	2.97
						37	8.01	2.81	8.43	2.85	8.85	2.90	9.07	2.92	9.29	2.95	9.72	2.99	10.17	3.04
						39	7.84	2.87	8.26	2.92	8.68	2.97	8.90	2.99	9.11	3.01	9.55	3.06	10.00	3.11
						42	7.57	2.98	8.00	3.02	8.42	3.07	8.64	3.09	8.86	3.12	9.30	3.16	9.74	3.21
44	7.40	3.05	7.82	3.09	8.25	3.14	8.47	3.16	8.69	3.19	9.13	3.24	9.57	3.28						
46	7.23	3.12	7.65	3.16	8.08	3.21	8.30	3.24	8.52	3.26	8.96	3.31	9.40	3.35						
2000	2500	3500	3500	11500	115%	10	7.78	1.91	10.97	1.96	11.18	2.01	11.30	2.03	11.44	2.05	11.76	2.09	12.14	2.14
						12	7.78	1.96	10.67	2.01	10.89	2.05	11.03	2.08	11.17	2.10	11.51	2.14	11.90	2.18
						14	7.78	2.01	10.39	2.06	10.62	2.10	10.76	2.13	10.92	2.15	11.27	2.19	11.67	2.23
						16	7.78	2.06	10.11	2.11	10.36	2.15	10.51	2.18	10.67	2.20	11.04	2.24	11.46	2.28
						18	7.78	2.11	9.85	2.16	10.12	2.21	10.27	2.23	10.44	2.25	10.82	2.29	11.26	2.33
						20	7.78	2.17	9.60	2.21	9.88	2.26	10.05	2.28	10.22	2.30	10.62	2.35	11.07	2.39
						21	7.78	2.19	9.48	2.24	9.77	2.29	9.94	2.31	10.12	2.33	10.52	2.37	10.98	2.41
						23	7.78	2.25	9.25	2.30	9.56	2.34	9.73	2.36	9.92	2.39	10.34	2.43	10.81	2.47
						25	7.78	2.31	9.03	2.35	9.35	2.40	9.53	2.42	9.73	2.44	10.16	2.48	10.65	2.52
						27	7.78	2.36	8.82	2.41	9.16	2.46	9.35	2.48	9.55	2.50	10.00	2.54	10.51	2.58
						29	7.78	2.43	8.63	2.47	8.98	2.52	9.18	2.54	9.39	2.56	9.85	2.60	10.37	2.64
						31	7.78	2.49	8.45	2.53	8.81	2.58	9.02	2.60	9.24	2.62	9.72	2.66	10.25	2.70
						33	7.78	2.55	8.28	2.60	8.66	2.64	8.87	2.66	9.10	2.68	9.59	2.73	10.14	2.76
						35	7.78	2.61	8.12	2.66	8.52	2.71	8.80	2.72	8.97	2.75	9.48	2.79	10.05	2.83
						37	7.78	2.68	7.97	2.73	8.39	2.77	8.61	2.79	8.85	2.81	9.38	2.85	9.96	2.89
						39	7.78	2.75	7.84	2.79	8.27	2.84	8.50	2.86	8.75	2.88	9.29	2.92	9.89	2.96
						42	7.78	2.85	7.66	2.90	8.11	2.94	8.36	2.96	8.62	2.98	9.18	3.02	9.80	3.06
44	7.78	2.92	7.56	2.97	8.03	3.01	8.28	3.03	8.55	3.05	9.13	3.09	9.76	3.13						
46	7.78	3.00	7.47	3.04	7.95	3.08	8.21	3.11	8.49	3.13	9.08	3.17	9.73	3.20						

12. Capacity Table

Combination (Capacity Index)				Combination (Total)	Combination (%)	Outdoor Temperature (°C, DB)	Indoor Temperature(°C, WB)													
							14		16		18		19		20		22		24	
							TC(kW)	PI(kW)	TC(kW)	PI(kW)	TC(kW)	PI(kW)	TC(kW)	PI(kW)	TC(kW)	PI(kW)	TC(kW)	PI(kW)	TC(kW)	PI(kW)
2000	2500	3500	5000	13000	130%	10	10.23	1.96	10.63	2.00	11.04	2.04	11.25	2.06	11.46	2.08	11.88	2.12	12.30	2.17
						12	10.05	2.01	10.46	2.05	10.87	2.09	11.07	2.12	11.28	2.14	11.70	2.18	12.13	2.22
						14	9.88	2.06	10.28	2.11	10.69	2.15	10.90	2.17	11.11	2.19	11.53	2.23	11.95	2.27
						16	9.70	2.12	10.10	2.16	10.51	2.20	10.72	2.22	10.93	2.25	11.35	2.29	11.78	2.33
						18	9.52	2.17	9.93	2.22	10.34	2.26	10.55	2.28	10.76	2.30	11.18	2.34	11.61	2.39
						20	9.35	2.23	9.75	2.27	10.17	2.32	10.37	2.34	10.58	2.36	11.01	2.40	11.44	2.45
						21	9.26	2.26	9.67	2.30	10.08	2.34	10.29	2.37	10.50	2.39	10.92	2.43	11.35	2.47
						23	9.09	2.32	9.49	2.36	9.91	2.40	10.11	2.42	10.32	2.45	10.75	2.49	11.18	2.53
						25	8.91	2.37	9.32	2.42	9.73	2.46	9.94	2.48	10.15	2.51	10.58	2.55	11.01	2.59
						27	8.74	2.43	9.14	2.48	9.56	2.52	9.77	2.54	9.98	2.57	10.41	2.61	10.84	2.65
						29	8.56	2.49	8.97	2.54	9.39	2.58	9.60	2.61	9.81	2.63	10.24	2.67	10.67	2.72
						31	8.39	2.56	8.80	2.60	9.21	2.65	9.43	2.67	9.64	2.69	10.07	2.74	10.50	2.78
						33	8.22	2.62	8.63	2.66	9.04	2.71	9.25	2.73	9.47	2.75	9.90	2.80	10.33	2.84
						35	8.04	2.68	8.45	2.73	8.87	2.77	9.10	2.79	9.30	2.82	9.73	2.86	10.16	2.91
						37	7.87	2.75	8.28	2.79	8.70	2.84	8.91	2.86	9.13	2.88	9.56	2.93	9.99	2.98
						39	7.70	2.81	8.11	2.86	8.53	2.90	8.74	2.93	8.96	2.95	9.39	3.00	9.83	3.04
42	7.44	2.91	7.86	2.96	8.28	3.01	8.49	3.03	8.70	3.05	9.14	3.10	9.57	3.14						
44	7.27	2.98	7.69	3.03	8.11	3.07	8.32	3.10	8.54	3.12	8.97	3.17	9.41	3.21						
46	7.10	3.05	7.52	3.10	7.94	3.14	8.15	3.17	8.37	3.19	8.80	3.24	9.24	3.28						
2000	2500	3500	6800	14800	148%	10	10.65	1.97	11.07	2.01	11.49	2.06	11.71	2.08	11.92	2.10	12.36	2.14	12.80	2.18
						12	10.46	2.02	10.88	2.07	11.31	2.11	11.52	2.13	11.74	2.15	12.18	2.19	12.62	2.24
						14	10.28	2.08	10.70	2.12	11.12	2.16	11.34	2.18	11.56	2.21	12.00	2.25	12.44	2.29
						16	10.09	2.13	10.52	2.18	10.94	2.22	11.16	2.24	11.38	2.26	11.82	2.30	12.26	2.35
						18	9.91	2.19	10.33	2.23	10.76	2.27	10.98	2.30	11.19	2.32	11.63	2.36	12.08	2.40
						20	9.73	2.25	10.15	2.29	10.58	2.33	10.80	2.35	11.01	2.38	11.46	2.42	11.90	2.46
						21	9.64	2.27	10.06	2.32	10.49	2.36	10.71	2.38	10.92	2.40	11.37	2.45	11.81	2.49
						23	9.45	2.33	9.88	2.38	10.31	2.42	10.53	2.44	10.74	2.46	11.19	2.51	11.63	2.55
						25	9.27	2.39	9.70	2.44	10.13	2.48	10.35	2.50	10.56	2.52	11.01	2.57	11.46	2.61
						27	9.09	2.45	9.52	2.50	9.95	2.54	10.17	2.56	10.39	2.58	10.83	2.63	11.28	2.67
						29	8.91	2.51	9.34	2.56	9.77	2.60	9.99	2.62	10.21	2.65	10.65	2.69	11.10	2.74
						31	8.73	2.57	9.16	2.62	9.59	2.66	9.81	2.69	10.03	2.71	10.47	2.75	10.93	2.80
						33	8.55	2.64	8.98	2.68	9.41	2.73	9.63	2.75	9.85	2.77	10.30	2.82	10.75	2.86
						35	8.37	2.70	8.80	2.75	9.23	2.79	9.47	2.81	9.67	2.84	10.12	2.88	10.57	2.93
						37	8.19	2.77	8.62	2.81	9.06	2.86	9.28	2.88	9.50	2.90	9.95	2.95	10.40	3.00
						39	8.01	2.83	8.44	2.88	8.88	2.93	9.10	2.95	9.32	2.97	9.77	3.02	10.23	3.06
42	7.75	2.93	8.18	2.98	8.61	3.03	8.84	3.05	9.06	3.07	9.51	3.12	9.96	3.17						
44	7.57	3.00	8.00	3.05	8.44	3.10	8.66	3.12	8.88	3.14	9.33	3.19	9.79	3.24						
46	7.39	3.07	7.82	3.12	8.26	3.17	8.48	3.19	8.71	3.21	9.16	3.26	9.62	3.31						

12. Capacity Table

Combination (Capacity Index)				Combination (Total)	Combination (%)	Outdoor Temperature (°C,DB)	Indoor Temperature(°C, WB)													
							14		16		18		19		20		22		24	
							TC(kW)	PI(kW)	TC(kW)	PI(kW)	TC(kW)	PI(kW)	TC(kW)	PI(kW)	TC(kW)	PI(kW)	TC(kW)	PI(kW)	TC(kW)	PI(kW)
2000	2500	5000	5000	14500	145%	10	10.57	1.96	10.98	2.01	11.41	2.05	11.62	2.07	11.83	2.09	12.27	2.13	12.71	2.17
						12	10.39	2.02	10.80	2.06	11.22	2.10	11.44	2.12	11.65	2.14	12.09	2.19	12.53	2.23
						14	10.20	2.07	10.62	2.11	11.04	2.16	11.26	2.18	11.47	2.20	11.91	2.24	12.35	2.28
						16	10.02	2.13	10.44	2.17	10.86	2.21	11.08	2.23	11.29	2.25	11.73	2.30	12.17	2.34
						18	9.84	2.18	10.26	2.22	10.68	2.27	10.90	2.29	11.11	2.31	11.55	2.35	11.99	2.40
						20	9.66	2.24	10.08	2.28	10.50	2.32	10.72	2.35	10.93	2.37	11.37	2.41	11.81	2.45
						21	9.57	2.27	9.99	2.31	10.41	2.35	10.63	2.37	10.84	2.40	11.28	2.44	11.73	2.48
						23	9.38	2.32	9.81	2.37	10.23	2.41	10.45	2.43	10.66	2.46	11.10	2.50	11.55	2.54
						25	9.20	2.38	9.63	2.43	10.05	2.47	10.27	2.49	10.49	2.51	10.93	2.56	11.37	2.60
						27	9.02	2.44	9.45	2.49	9.87	2.53	10.09	2.55	10.31	2.58	10.75	2.62	11.20	2.66
						29	8.84	2.50	9.27	2.55	9.70	2.59	9.91	2.62	10.13	2.64	10.57	2.68	11.02	2.73
						31	8.67	2.57	9.09	2.61	9.52	2.66	9.74	2.68	9.95	2.70	10.40	2.75	10.85	2.79
						33	8.49	2.63	8.91	2.67	9.34	2.72	9.56	2.74	9.78	2.76	10.22	2.81	10.67	2.85
						35	8.31	2.69	8.73	2.74	9.16	2.78	9.40	2.80	9.60	2.83	10.05	2.87	10.50	2.92
						37	8.13	2.76	8.56	2.80	8.99	2.85	9.21	2.87	9.43	2.89	9.87	2.94	10.32	2.99
						39	7.95	2.82	8.38	2.87	8.81	2.92	9.03	2.94	9.25	2.96	9.70	3.01	10.15	3.05
42	7.69	2.92	8.12	2.97	8.55	3.02	8.77	3.04	8.99	3.06	9.44	3.11	9.89	3.16						
44	7.51	2.99	7.94	3.04	8.38	3.09	8.60	3.11	8.82	3.13	9.26	3.18	9.72	3.23						
46	7.34	3.06	7.77	3.11	8.20	3.16	8.42	3.18	8.64	3.20	9.09	3.25	9.55	3.30						
2000	2500	5000	6800	16300	163%	10	11.02	2.01	11.45	2.06	11.89	2.10	12.11	2.12	12.34	2.14	12.79	2.19	13.25	2.23
						12	10.83	2.07	11.26	2.11	11.70	2.15	11.92	2.18	12.15	2.20	12.60	2.24	13.06	2.28
						14	10.64	2.12	11.07	2.17	11.51	2.21	11.74	2.23	11.96	2.25	12.41	2.30	12.87	2.34
						16	10.45	2.18	10.88	2.22	11.32	2.27	11.55	2.29	11.77	2.31	12.23	2.35	12.69	2.40
						18	10.26	2.24	10.69	2.28	11.14	2.32	11.36	2.35	11.58	2.37	12.04	2.41	12.50	2.46
						20	10.07	2.29	10.50	2.34	10.95	2.38	11.17	2.40	11.40	2.43	11.85	2.47	12.32	2.52
						21	9.97	2.32	10.41	2.37	10.85	2.41	11.08	2.43	11.30	2.46	11.76	2.50	12.22	2.55
						23	9.78	2.38	10.22	2.43	10.67	2.47	10.89	2.49	11.12	2.52	11.58	2.56	12.04	2.61
						25	9.60	2.44	10.03	2.49	10.48	2.53	10.71	2.56	10.93	2.58	11.39	2.62	11.86	2.67
						27	9.41	2.50	9.85	2.55	10.29	2.59	10.52	2.62	10.75	2.64	11.21	2.69	11.67	2.73
						29	9.22	2.57	9.66	2.61	10.11	2.66	10.33	2.68	10.56	2.70	11.02	2.75	11.49	2.79
						31	9.03	2.63	9.48	2.68	9.92	2.72	10.15	2.74	10.38	2.77	10.84	2.81	11.31	2.86
						33	8.85	2.69	9.29	2.74	9.74	2.79	9.97	2.81	10.19	2.83	10.66	2.88	11.12	2.93
						35	8.66	2.76	9.11	2.81	9.55	2.85	9.80	2.87	10.01	2.90	10.47	2.95	10.94	2.99
						37	8.48	2.83	8.92	2.87	9.37	2.92	9.60	2.94	9.83	2.97	10.29	3.01	10.76	3.06
						39	8.29	2.89	8.74	2.94	9.19	2.99	9.42	3.01	9.65	3.04	10.11	3.08	10.58	3.13
42	8.02	3.00	8.46	3.04	8.91	3.09	9.14	3.12	9.37	3.14	9.84	3.19	10.31	3.23						
44	7.83	3.07	8.28	3.11	8.73	3.16	8.96	3.19	9.19	3.21	9.66	3.26	10.13	3.31						
46	7.65	3.14	8.10	3.19	8.55	3.23	8.78	3.26	9.01	3.28	9.48	3.33	9.95	3.38						

12. Capacity Table

Combination (Capacity Index)				Combination (Total)	Combination (%)	Outdoor Temperature (°C, DB)	Indoor Temperature(°C, WB)													
							14		16		18		19		20		22		24	
							TC(kW)	PI(kW)	TC(kW)	PI(kW)	TC(kW)	PI(kW)	TC(kW)	PI(kW)	TC(kW)	PI(kW)	TC(kW)	PI(kW)	TC(kW)	PI(kW)
2500	6800	6800		16100	161%	10	7.95	1.95	11.22	2.00	11.43	2.05	11.56	2.07	11.70	2.10	12.03	2.14	12.41	2.18
						12	7.95	2.00	10.91	2.05	11.14	2.10	11.28	2.12	11.43	2.14	11.77	2.19	12.17	2.23
						14	7.95	2.05	10.62	2.10	10.86	2.15	11.01	2.17	11.17	2.19	11.52	2.24	11.94	2.28
						16	7.95	2.10	10.34	2.15	10.60	2.20	10.75	2.22	10.92	2.25	11.29	2.29	11.72	2.33
						18	7.95	2.16	10.07	2.21	10.35	2.25	10.51	2.28	10.68	2.30	11.07	2.34	11.52	2.38
						20	7.95	2.21	9.82	2.26	10.11	2.31	10.27	2.33	10.46	2.35	10.86	2.40	11.32	2.44
						21	7.95	2.24	9.70	2.29	9.99	2.34	10.16	2.36	10.35	2.38	10.76	2.42	11.23	2.47
						23	7.95	2.30	9.46	2.35	9.77	2.39	9.95	2.42	10.14	2.44	10.57	2.48	11.06	2.52
						25	7.95	2.36	9.23	2.40	9.56	2.45	9.75	2.47	9.95	2.50	10.39	2.54	10.89	2.58
						27	7.95	2.42	9.02	2.46	9.37	2.51	9.56	2.53	9.77	2.56	10.23	2.60	10.75	2.64
						29	7.95	2.48	8.82	2.53	9.18	2.57	9.39	2.59	9.60	2.62	10.08	2.66	10.61	2.70
						31	7.95	2.54	8.64	2.59	9.01	2.63	9.22	2.66	9.45	2.68	9.94	2.72	10.48	2.76
						33	7.95	2.61	8.46	2.65	8.86	2.70	9.07	2.72	9.30	2.74	9.81	2.79	10.37	2.83
						35	7.95	2.67	8.30	2.72	8.71	2.76	9.00	2.78	9.17	2.81	9.69	2.85	10.27	2.89
						37	7.95	2.74	8.15	2.79	8.58	2.83	8.81	2.85	9.06	2.88	9.59	2.92	10.19	2.96
						39	7.95	2.81	8.02	2.86	8.46	2.90	8.70	2.92	8.95	2.94	9.50	2.99	10.11	3.03
42	7.95	2.91	7.84	2.96	8.30	3.01	8.55	3.03	8.82	3.05	9.39	3.09	10.02	3.13						
44	7.95	2.99	7.73	3.03	8.21	3.08	8.47	3.10	8.74	3.12	9.33	3.16	9.98	3.20						
46	7.95	3.06	7.64	3.11	8.13	3.15	8.40	3.17	8.68	3.19	9.29	3.24	9.95	3.28						
2000	3500	3500	5000	14000	140%	10	10.48	1.99	10.89	2.04	11.31	2.08	11.52	2.10	11.73	2.12	12.16	2.16	12.60	2.21
						12	10.30	2.05	10.71	2.09	11.13	2.13	11.34	2.15	11.55	2.17	11.98	2.22	12.42	2.26
						14	10.12	2.10	10.53	2.14	10.95	2.19	11.16	2.21	11.37	2.23	11.81	2.27	12.24	2.32
						16	9.93	2.16	10.35	2.20	10.77	2.24	10.98	2.26	11.20	2.29	11.63	2.33	12.07	2.37
						18	9.75	2.21	10.17	2.26	10.59	2.30	10.80	2.32	11.02	2.34	11.45	2.39	11.89	2.43
						20	9.57	2.27	9.99	2.31	10.41	2.36	10.62	2.38	10.84	2.40	11.27	2.45	11.71	2.49
						21	9.48	2.30	9.90	2.34	10.32	2.39	10.54	2.41	10.75	2.43	11.19	2.47	11.63	2.52
						23	9.30	2.36	9.72	2.40	10.14	2.45	10.36	2.47	10.57	2.49	11.01	2.53	11.45	2.58
						25	9.13	2.42	9.54	2.46	9.97	2.51	10.18	2.53	10.40	2.55	10.83	2.60	11.28	2.64
						27	8.95	2.48	9.37	2.52	9.79	2.57	10.00	2.59	10.22	2.61	10.66	2.66	11.10	2.70
						29	8.77	2.54	9.19	2.58	9.61	2.63	9.83	2.65	10.05	2.68	10.48	2.72	10.93	2.77
						31	8.59	2.60	9.01	2.65	9.44	2.69	9.65	2.72	9.87	2.74	10.31	2.78	10.75	2.83
						33	8.41	2.67	8.84	2.71	9.26	2.76	9.48	2.78	9.70	2.80	10.13	2.85	10.58	2.89
						35	8.24	2.73	8.66	2.78	9.09	2.82	9.32	2.84	9.52	2.87	9.96	2.92	10.41	2.96
						37	8.06	2.80	8.48	2.84	8.91	2.89	9.13	2.91	9.35	2.94	9.79	2.98	10.24	3.03
						39	7.89	2.86	8.31	2.91	8.74	2.96	8.96	2.98	9.17	3.00	9.62	3.05	10.06	3.10
42	7.62	2.97	8.05	3.01	8.48	3.06	8.70	3.08	8.91	3.11	9.36	3.15	9.81	3.20						
44	7.45	3.03	7.87	3.08	8.30	3.13	8.52	3.15	8.74	3.18	9.19	3.22	9.64	3.27						
46	7.27	3.11	7.70	3.15	8.13	3.20	8.35	3.22	8.57	3.25	9.01	3.30	9.47	3.34						

12. Capacity Table

Combination (Capacity Index)				Combination (Total)	Combination (%)	Outdoor Temperature (°C, DB)	Indoor Temperature(°C, WB)													
							14		16		18		19		20		22		24	
							TC(kW)	PI(kW)	TC(kW)	PI(kW)	TC(kW)	PI(kW)	TC(kW)	PI(kW)	TC(kW)	PI(kW)	TC(kW)	PI(kW)	TC(kW)	PI(kW)
2000	3500	3500	6800	15800	158%	10	11.02	2.01	11.45	2.05	11.89	2.09	12.11	2.11	12.34	2.14	12.79	2.18	13.25	2.22
						12	10.83	2.06	11.26	2.10	11.70	2.15	11.92	2.17	12.15	2.19	12.60	2.23	13.06	2.28
						14	10.64	2.12	11.07	2.16	11.51	2.20	11.74	2.22	11.96	2.25	12.41	2.29	12.87	2.33
						16	10.45	2.17	10.88	2.21	11.32	2.26	11.55	2.28	11.77	2.30	12.23	2.35	12.69	2.39
						18	10.26	2.23	10.69	2.27	11.14	2.32	11.36	2.34	11.58	2.36	12.04	2.40	12.50	2.45
						20	10.07	2.29	10.50	2.33	10.95	2.37	11.17	2.40	11.40	2.42	11.85	2.46	12.32	2.51
						21	9.97	2.31	10.41	2.36	10.85	2.40	11.08	2.43	11.30	2.45	11.76	2.49	12.22	2.54
						23	9.78	2.37	10.22	2.42	10.67	2.46	10.89	2.49	11.12	2.51	11.58	2.55	12.04	2.60
						25	9.60	2.43	10.03	2.48	10.48	2.52	10.71	2.55	10.93	2.57	11.39	2.61	11.86	2.66
						27	9.41	2.50	9.85	2.54	10.29	2.59	10.52	2.61	10.75	2.63	11.21	2.68	11.67	2.72
						29	9.22	2.56	9.66	2.60	10.11	2.65	10.33	2.67	10.56	2.69	11.02	2.74	11.49	2.79
						31	9.03	2.62	9.48	2.67	9.92	2.71	10.15	2.74	10.38	2.76	10.84	2.80	11.31	2.85
						33	8.85	2.69	9.29	2.73	9.74	2.78	9.97	2.80	10.19	2.82	10.66	2.87	11.12	2.92
						35	8.66	2.75	9.11	2.80	9.55	2.84	9.80	2.86	10.01	2.89	10.47	2.94	10.94	2.98
						37	8.48	2.82	8.92	2.86	9.37	2.91	9.60	2.93	9.83	2.96	10.29	3.00	10.76	3.05
						39	8.29	2.88	8.74	2.93	9.19	2.98	9.42	3.00	9.65	3.02	10.11	3.07	10.58	3.12
						42	8.02	2.99	8.46	3.03	8.91	3.08	9.14	3.10	9.37	3.13	9.84	3.18	10.31	3.22
44	7.83	3.06	8.28	3.10	8.73	3.15	8.96	3.18	9.19	3.20	9.66	3.25	10.13	3.29						
46	7.65	3.13	8.10	3.17	8.55	3.22	8.78	3.25	9.01	3.27	9.48	3.32	9.95	3.37						
2000	3500	5000	5000	15500	155%	10	11.02	2.00	11.45	2.04	11.89	2.08	12.11	2.11	12.34	2.13	12.79	2.17	13.25	2.21
						12	10.83	2.05	11.26	2.10	11.70	2.14	11.92	2.16	12.15	2.18	12.60	2.22	13.06	2.27
						14	10.64	2.11	11.07	2.15	11.51	2.19	11.74	2.22	11.96	2.24	12.41	2.28	12.87	2.32
						16	10.45	2.16	10.88	2.21	11.32	2.25	11.55	2.27	11.77	2.29	12.23	2.34	12.69	2.38
						18	10.26	2.22	10.69	2.26	11.14	2.31	11.36	2.33	11.58	2.35	12.04	2.39	12.50	2.44
						20	10.07	2.28	10.50	2.32	10.95	2.37	11.17	2.39	11.40	2.41	11.85	2.45	12.32	2.50
						21	9.97	2.31	10.41	2.35	10.85	2.39	11.08	2.42	11.30	2.44	11.76	2.48	12.22	2.53
						23	9.78	2.37	10.22	2.41	10.67	2.45	10.89	2.48	11.12	2.50	11.58	2.54	12.04	2.59
						25	9.60	2.43	10.03	2.47	10.48	2.52	10.71	2.54	10.93	2.56	11.39	2.60	11.86	2.65
						27	9.41	2.49	9.85	2.53	10.29	2.58	10.52	2.60	10.75	2.62	11.21	2.67	11.67	2.71
						29	9.22	2.55	9.66	2.59	10.11	2.64	10.33	2.66	10.56	2.68	11.02	2.73	11.49	2.78
						31	9.03	2.61	9.48	2.66	9.92	2.70	10.15	2.73	10.38	2.75	10.84	2.79	11.31	2.84
						33	8.85	2.68	9.29	2.72	9.74	2.77	9.97	2.79	10.19	2.81	10.66	2.86	11.12	2.91
						35	8.66	2.74	9.11	2.79	9.55	2.83	9.80	2.85	10.01	2.88	10.47	2.93	10.94	2.97
						37	8.48	2.81	8.92	2.85	9.37	2.90	9.60	2.92	9.83	2.95	10.29	2.99	10.76	3.04
						39	8.29	2.87	8.74	2.92	9.19	2.97	9.42	2.99	9.65	3.01	10.11	3.06	10.58	3.11
						42	8.02	2.98	8.46	3.02	8.91	3.07	9.14	3.09	9.37	3.12	9.84	3.16	10.31	3.21
44	7.83	3.05	8.28	3.09	8.73	3.14	8.96	3.16	9.19	3.19	9.66	3.24	10.13	3.28						
46	7.65	3.12	8.10	3.16	8.55	3.21	8.78	3.24	9.01	3.26	9.48	3.31	9.95	3.35						

12. Capacity Table

Combination (Capacity Index)				Combination (Total)	Combination (%)	Outdoor Temperature (°C, DB)	Indoor Temperature(°C, WB)													
							14		16		18		19		20		22		24	
							TC(kW)	PI(kW)	TC(kW)	PI(kW)	TC(kW)	PI(kW)	TC(kW)	PI(kW)	TC(kW)	PI(kW)	TC(kW)	PI(kW)	TC(kW)	PI(kW)
2500	6800	6800		16100	161%	10	11.02	2.05	11.45	2.09	11.89	2.14	12.11	2.16	12.34	2.18	12.79	2.22	13.25	2.27
						12	10.83	2.10	11.26	2.15	11.70	2.19	11.92	2.21	12.15	2.24	12.60	2.28	13.06	2.32
						14	10.64	2.16	11.07	2.20	11.51	2.25	11.74	2.27	11.96	2.29	12.41	2.34	12.87	2.38
						16	10.45	2.22	10.88	2.26	11.32	2.31	11.55	2.33	11.77	2.35	12.23	2.39	12.69	2.44
						18	10.26	2.27	10.69	2.32	11.14	2.36	11.36	2.39	11.58	2.41	12.04	2.45	12.50	2.50
						20	10.07	2.33	10.50	2.38	10.95	2.42	11.17	2.45	11.40	2.47	11.85	2.51	12.32	2.56
						21	9.97	2.36	10.41	2.41	10.85	2.45	11.08	2.48	11.30	2.50	11.76	2.54	12.22	2.59
						23	9.78	2.42	10.22	2.47	10.67	2.51	10.89	2.54	11.12	2.56	11.58	2.61	12.04	2.65
						25	9.60	2.49	10.03	2.53	10.48	2.58	10.71	2.60	10.93	2.62	11.39	2.67	11.86	2.71
						27	9.41	2.55	9.85	2.59	10.29	2.64	10.52	2.66	10.75	2.69	11.21	2.73	11.67	2.78
						29	9.22	2.61	9.66	2.66	10.11	2.70	10.33	2.73	10.56	2.75	11.02	2.80	11.49	2.84
						31	9.03	2.68	9.48	2.72	9.92	2.77	10.15	2.79	10.38	2.82	10.84	2.86	11.31	2.91
						33	8.85	2.74	9.29	2.79	9.74	2.84	9.97	2.86	10.19	2.88	10.66	2.93	11.12	2.98
						35	8.66	2.81	9.11	2.86	9.55	2.90	9.80	2.92	10.01	2.95	10.47	3.00	10.94	3.04
						37	8.48	2.88	8.92	2.92	9.37	2.97	9.60	2.99	9.83	3.02	10.29	3.07	10.76	3.11
						39	8.29	2.94	8.74	2.99	9.19	3.04	9.42	3.06	9.65	3.09	10.11	3.14	10.58	3.18
42	8.02	3.05	8.46	3.10	8.91	3.15	9.14	3.17	9.37	3.19	9.84	3.24	10.31	3.29						
44	7.83	3.12	8.28	3.17	8.73	3.22	8.96	3.24	9.19	3.27	9.66	3.31	10.13	3.36						
46	7.65	3.19	8.10	3.24	8.55	3.29	8.78	3.31	9.01	3.34	9.48	3.39	9.95	3.44						
2000	5000	5000	5000	17000	170%	10	11.02	2.05	11.45	2.09	11.89	2.14	12.11	2.16	12.34	2.18	12.79	2.22	13.25	2.27
						12	10.83	2.10	11.26	2.15	11.70	2.19	11.92	2.21	12.15	2.24	12.60	2.28	13.06	2.32
						14	10.64	2.16	11.07	2.20	11.51	2.25	11.74	2.27	11.96	2.29	12.41	2.34	12.87	2.38
						16	10.45	2.22	10.88	2.26	11.32	2.31	11.55	2.33	11.77	2.35	12.23	2.39	12.69	2.44
						18	10.26	2.27	10.69	2.32	11.14	2.36	11.36	2.39	11.58	2.41	12.04	2.45	12.50	2.50
						20	10.07	2.33	10.50	2.38	10.95	2.42	11.17	2.45	11.40	2.47	11.85	2.51	12.32	2.56
						21	9.97	2.36	10.41	2.41	10.85	2.45	11.08	2.48	11.30	2.50	11.76	2.54	12.22	2.59
						23	9.78	2.42	10.22	2.47	10.67	2.51	10.89	2.54	11.12	2.56	11.58	2.61	12.04	2.65
						25	9.60	2.49	10.03	2.53	10.48	2.58	10.71	2.60	10.93	2.62	11.39	2.67	11.86	2.71
						27	9.41	2.55	9.85	2.59	10.29	2.64	10.52	2.66	10.75	2.69	11.21	2.73	11.67	2.78
						29	9.22	2.61	9.66	2.66	10.11	2.70	10.33	2.73	10.56	2.75	11.02	2.80	11.49	2.84
						31	9.03	2.68	9.48	2.72	9.92	2.77	10.15	2.79	10.38	2.82	10.84	2.86	11.31	2.91
						33	8.85	2.74	9.29	2.79	9.74	2.84	9.97	2.86	10.19	2.88	10.66	2.93	11.12	2.98
						35	8.66	2.81	9.11	2.86	9.55	2.90	9.80	2.92	10.01	2.95	10.47	3.00	10.94	3.04
						37	8.48	2.88	8.92	2.92	9.37	2.97	9.60	2.99	9.83	3.02	10.29	3.07	10.76	3.11
						39	8.29	2.94	8.74	2.99	9.19	3.04	9.42	3.06	9.65	3.09	10.11	3.14	10.58	3.18
42	8.02	3.05	8.46	3.10	8.91	3.15	9.14	3.17	9.37	3.19	9.84	3.24	10.31	3.29						
44	7.83	3.12	8.28	3.17	8.73	3.22	8.96	3.24	9.19	3.27	9.66	3.31	10.13	3.36						
46	7.65	3.19	8.10	3.24	8.55	3.29	8.78	3.31	9.01	3.34	9.48	3.39	9.95	3.44						

12. Capacity Table

Combination (Capacity Index)				Combination (Total)	Combination (%)	Outdoor Temperature (°C,DB)	Indoor Temperature(°C, WB)													
							14		16		18		19		20		22		24	
							TC(kW)	PI(kW)	TC(kW)	PI(kW)	TC(kW)	PI(kW)	TC(kW)	PI(kW)	TC(kW)	PI(kW)	TC(kW)	PI(kW)	TC(kW)	PI(kW)
2500	2500	2500	2500	10000	100%	10	7.81	1.67	11.02	1.71	11.23	1.76	11.35	1.78	11.49	1.79	11.82	1.83	12.19	1.87
						12	7.81	1.71	10.72	1.76	10.94	1.80	11.08	1.82	11.22	1.84	11.56	1.87	11.95	1.91
						14	7.81	1.76	10.43	1.80	10.67	1.84	10.81	1.86	10.97	1.88	11.32	1.92	11.73	1.95
						16	7.81	1.80	10.16	1.84	10.41	1.88	10.56	1.90	10.72	1.92	11.09	1.96	11.51	2.00
						18	7.81	1.85	9.89	1.89	10.16	1.93	10.32	1.95	10.49	1.97	10.87	2.01	11.31	2.04
						20	7.81	1.89	9.64	1.94	9.93	1.98	10.09	2.00	10.27	2.01	10.67	2.05	11.12	2.09
						21	7.81	1.92	9.52	1.96	9.82	2.00	9.98	2.02	10.16	2.04	10.57	2.08	11.03	2.11
						23	7.81	1.97	9.29	2.01	9.60	2.05	9.77	2.07	9.96	2.09	10.38	2.12	10.86	2.16
						25	7.81	2.02	9.07	2.06	9.39	2.10	9.58	2.12	9.77	2.14	10.21	2.17	10.70	2.21
						27	7.81	2.07	8.86	2.11	9.20	2.15	9.39	2.17	9.60	2.19	10.05	2.22	10.55	2.26
						29	7.81	2.12	8.67	2.16	9.02	2.20	9.22	2.22	9.43	2.24	9.90	2.28	10.42	2.31
						31	7.81	2.18	8.48	2.22	8.85	2.26	9.06	2.27	9.28	2.29	9.76	2.33	10.30	2.36
						33	7.81	2.23	8.31	2.27	8.70	2.31	8.91	2.33	9.14	2.35	9.64	2.38	10.19	2.42
						35	7.81	2.29	8.16	2.33	8.55	2.37	8.84	2.38	9.01	2.40	9.52	2.44	10.09	2.47
						37	7.81	2.35	8.01	2.39	8.42	2.42	8.65	2.44	8.89	2.46	9.42	2.50	10.01	2.53
						39	7.81	2.40	7.87	2.44	8.30	2.48	8.54	2.50	8.79	2.52	9.33	2.56	9.93	2.59
42	7.81	2.50	7.70	2.54	8.15	2.57	8.40	2.59	8.66	2.61	9.22	2.65	9.85	2.68						
44	7.81	2.56	7.59	2.60	8.06	2.64	8.32	2.65	8.59	2.67	9.17	2.71	9.80	2.74						
46	7.81	2.62	7.50	2.66	7.99	2.70	8.25	2.72	8.53	2.74	9.12	2.77	9.77	2.80						
2500	2500	2500	3500	11000	110%	10	7.70	1.88	10.86	1.92	11.06	1.97	11.19	1.99	11.32	2.01	11.64	2.06	12.01	2.10
						12	7.70	1.92	10.56	1.97	10.78	2.02	10.91	2.04	11.06	2.06	11.39	2.10	11.78	2.14
						14	7.70	1.97	10.28	2.02	10.51	2.06	10.65	2.09	10.81	2.11	11.15	2.15	11.56	2.19
						16	7.70	2.02	10.01	2.07	10.26	2.11	10.40	2.14	10.56	2.16	10.93	2.20	11.34	2.24
						18	7.70	2.07	9.75	2.12	10.01	2.16	10.17	2.19	10.34	2.21	10.71	2.25	11.15	2.29
						20	7.70	2.13	9.50	2.17	9.78	2.22	9.94	2.24	10.12	2.26	10.51	2.30	10.96	2.34
						21	7.70	2.15	9.38	2.20	9.67	2.24	9.84	2.27	10.01	2.29	10.41	2.33	10.87	2.37
						23	7.70	2.21	9.15	2.25	9.46	2.30	9.63	2.32	9.82	2.34	10.23	2.38	10.70	2.42
						25	7.70	2.26	8.94	2.31	9.26	2.35	9.44	2.38	9.63	2.40	10.06	2.44	10.54	2.48
						27	7.70	2.32	8.73	2.37	9.07	2.41	9.25	2.43	9.45	2.45	9.90	2.50	10.40	2.54
						29	7.70	2.38	8.54	2.43	8.89	2.47	9.08	2.49	9.29	2.51	9.75	2.55	10.27	2.59
						31	7.70	2.44	8.36	2.49	8.72	2.53	8.93	2.55	9.14	2.57	9.62	2.61	10.15	2.65
						33	7.70	2.50	8.19	2.55	8.57	2.59	8.78	2.61	9.00	2.63	9.49	2.68	10.04	2.71
						35	7.70	2.57	8.04	2.61	8.43	2.66	8.71	2.67	8.88	2.70	9.38	2.74	9.94	2.78
						37	7.70	2.63	7.89	2.68	8.30	2.72	8.52	2.74	8.76	2.76	9.28	2.80	9.86	2.84
						39	7.70	2.70	7.76	2.74	8.18	2.79	8.42	2.81	8.66	2.83	9.20	2.87	9.79	2.91
42	7.70	2.80	7.58	2.84	8.03	2.89	8.27	2.91	8.53	2.93	9.09	2.97	9.70	3.01						
44	7.70	2.87	7.48	2.91	7.94	2.96	8.19	2.98	8.46	3.00	9.03	3.04	9.66	3.08						
46	7.70	2.94	7.39	2.98	7.87	3.03	8.13	3.05	8.40	3.07	8.99	3.11	9.63	3.15						

12. Capacity Table

Combination (Capacity Index)				Combination (Total)	Combination (%)	Outdoor Temperature (°C, DB)	Indoor Temperature(°C, WB)													
							14		16		18		19		20		22		24	
							TC(kW)	PI(kW)	TC(kW)	PI(kW)	TC(kW)	PI(kW)	TC(kW)	PI(kW)	TC(kW)	PI(kW)	TC(kW)	PI(kW)	TC(kW)	PI(kW)
2500	2500	2500	5000	12500	125%	10	7.95	1.95	11.22	2.00	11.43	2.05	11.56	2.07	11.70	2.10	12.03	2.14	12.41	2.18
						12	7.95	2.00	10.91	2.05	11.14	2.10	11.28	2.12	11.43	2.14	11.77	2.19	12.17	2.23
						14	7.95	2.05	10.62	2.10	10.86	2.15	11.01	2.17	11.17	2.19	11.52	2.24	11.94	2.28
						16	7.95	2.10	10.34	2.15	10.60	2.20	10.75	2.22	10.92	2.25	11.29	2.29	11.72	2.33
						18	7.95	2.16	10.07	2.21	10.35	2.25	10.51	2.28	10.68	2.30	11.07	2.34	11.52	2.38
						20	7.95	2.21	9.82	2.26	10.11	2.31	10.27	2.33	10.46	2.35	10.86	2.40	11.32	2.44
						21	7.95	2.24	9.70	2.29	9.99	2.34	10.16	2.36	10.35	2.38	10.76	2.42	11.23	2.47
						23	7.95	2.30	9.46	2.35	9.77	2.39	9.95	2.42	10.14	2.44	10.57	2.48	11.06	2.52
						25	7.95	2.36	9.23	2.40	9.56	2.45	9.75	2.47	9.95	2.50	10.39	2.54	10.89	2.58
						27	7.95	2.42	9.02	2.46	9.37	2.51	9.56	2.53	9.77	2.56	10.23	2.60	10.75	2.64
						29	7.95	2.48	8.82	2.53	9.18	2.57	9.39	2.59	9.60	2.62	10.08	2.66	10.61	2.70
						31	7.95	2.54	8.64	2.59	9.01	2.63	9.22	2.66	9.45	2.68	9.94	2.72	10.48	2.76
						33	7.95	2.61	8.46	2.65	8.86	2.70	9.07	2.72	9.30	2.74	9.81	2.79	10.37	2.83
						35	7.95	2.67	8.30	2.72	8.71	2.76	9.00	2.78	9.17	2.81	9.69	2.85	10.27	2.89
						37	7.95	2.74	8.15	2.79	8.58	2.83	8.81	2.85	9.06	2.88	9.59	2.92	10.19	2.96
						39	7.95	2.81	8.02	2.86	8.46	2.90	8.70	2.92	8.95	2.94	9.50	2.99	10.11	3.03
42	7.95	2.91	7.84	2.96	8.30	3.01	8.55	3.03	8.82	3.05	9.39	3.09	10.02	3.13						
44	7.95	2.99	7.73	3.03	8.21	3.08	8.47	3.10	8.74	3.12	9.33	3.16	9.98	3.20						
46	7.95	3.06	7.64	3.11	8.13	3.15	8.40	3.17	8.68	3.19	9.29	3.24	9.95	3.28						
2500	2500	2500	6800	14300	143%	10	10.55	1.93	10.96	1.97	11.38	2.01	11.59	2.03	11.81	2.05	12.24	2.09	12.68	2.14
						12	10.36	1.98	10.78	2.02	11.20	2.06	11.41	2.08	11.63	2.11	12.06	2.15	12.50	2.19
						14	10.18	2.03	10.60	2.08	11.02	2.12	11.23	2.14	11.45	2.16	11.88	2.20	12.32	2.24
						16	10.00	2.09	10.42	2.13	10.84	2.17	11.05	2.19	11.27	2.21	11.70	2.26	12.14	2.30
						18	9.82	2.14	10.23	2.18	10.66	2.23	10.87	2.25	11.09	2.27	11.52	2.31	11.97	2.35
						20	9.64	2.20	10.05	2.24	10.48	2.28	10.69	2.30	10.91	2.32	11.35	2.37	11.79	2.41
						21	9.55	2.23	9.96	2.27	10.39	2.31	10.60	2.33	10.82	2.35	11.26	2.40	11.70	2.44
						23	9.36	2.28	9.78	2.33	10.21	2.37	10.43	2.39	10.64	2.41	11.08	2.45	11.52	2.50
						25	9.18	2.34	9.60	2.38	10.03	2.43	10.25	2.45	10.46	2.47	10.90	2.51	11.35	2.56
						27	9.00	2.40	9.43	2.44	9.85	2.49	10.07	2.51	10.29	2.53	10.73	2.57	11.17	2.62
						29	8.83	2.46	9.25	2.50	9.68	2.55	9.89	2.57	10.11	2.59	10.55	2.63	11.00	2.68
						31	8.65	2.52	9.07	2.56	9.50	2.61	9.72	2.63	9.93	2.65	10.37	2.70	10.82	2.74
						33	8.47	2.58	8.89	2.63	9.32	2.67	9.54	2.69	9.76	2.71	10.20	2.76	10.65	2.80
						35	8.29	2.64	8.72	2.69	9.15	2.73	9.38	2.75	9.58	2.78	10.03	2.82	10.47	2.87
						37	8.11	2.71	8.54	2.75	8.97	2.80	9.19	2.82	9.41	2.84	9.85	2.89	10.30	2.93
						39	7.94	2.77	8.36	2.82	8.79	2.86	9.01	2.89	9.23	2.91	9.68	2.95	10.13	3.00
42	7.67	2.87	8.10	2.92	8.53	2.96	8.75	2.99	8.97	3.01	9.42	3.05	9.87	3.10						
44	7.50	2.94	7.92	2.98	8.36	3.03	8.58	3.05	8.80	3.08	9.24	3.12	9.70	3.17						
46	7.32	3.01	7.75	3.05	8.18	3.10	8.40	3.12	8.63	3.14	9.07	3.19	9.53	3.24						

12. Capacity Table

Combination (Capacity Index)				Combination (Total)	Combination (%)	Outdoor Temperature (°C,DB)	Indoor Temperature(°C, WB)													
							14		16		18		19		20		22		24	
							TC(kW)	PI(kW)	TC(kW)	PI(kW)	TC(kW)	PI(kW)	TC(kW)	PI(kW)	TC(kW)	PI(kW)	TC(kW)	PI(kW)	TC(kW)	PI(kW)
2500	2500	3500	3500	12000	120%	10	7.87	1.91	11.09	1.96	11.30	2.01	11.43	2.03	11.57	2.05	11.90	2.09	12.28	2.14
						12	7.87	1.96	10.79	2.01	11.02	2.05	11.15	2.08	11.30	2.10	11.64	2.14	12.04	2.18
						14	7.87	2.01	10.50	2.06	10.74	2.10	10.89	2.13	11.04	2.15	11.40	2.19	11.81	2.23
						16	7.87	2.06	10.23	2.11	10.48	2.15	10.63	2.18	10.80	2.20	11.17	2.24	11.59	2.28
						18	7.87	2.11	9.96	2.16	10.23	2.21	10.39	2.23	10.56	2.25	10.95	2.29	11.39	2.33
						20	7.87	2.17	9.71	2.21	10.00	2.26	10.16	2.28	10.34	2.30	10.74	2.35	11.20	2.39
						21	7.87	2.19	9.59	2.24	9.88	2.29	10.05	2.31	10.23	2.33	10.64	2.37	11.11	2.41
						23	7.87	2.25	9.35	2.30	9.66	2.34	9.84	2.36	10.03	2.39	10.45	2.43	10.93	2.47
						25	7.87	2.31	9.13	2.35	9.46	2.40	9.64	2.42	9.84	2.44	10.28	2.48	10.77	2.52
						27	7.87	2.36	8.92	2.41	9.26	2.46	9.46	2.48	9.66	2.50	10.12	2.54	10.63	2.58
						29	7.87	2.43	8.73	2.47	9.08	2.52	9.28	2.54	9.50	2.56	9.96	2.60	10.49	2.64
						31	7.87	2.49	8.54	2.53	8.91	2.58	9.12	2.60	9.34	2.62	9.83	2.66	10.37	2.70
						33	7.87	2.55	8.37	2.60	8.76	2.64	8.97	2.66	9.20	2.68	9.70	2.73	10.26	2.76
						35	7.87	2.61	8.21	2.66	8.61	2.71	8.90	2.72	9.07	2.75	9.59	2.79	10.16	2.83
						37	7.87	2.68	8.06	2.73	8.48	2.77	8.71	2.79	8.95	2.81	9.49	2.85	10.07	2.89
						39	7.87	2.75	7.93	2.79	8.36	2.84	8.60	2.86	8.85	2.88	9.40	2.92	10.00	2.96
						42	7.87	2.85	7.75	2.90	8.20	2.94	8.45	2.96	8.72	2.98	9.29	3.02	9.91	3.06
44	7.87	2.92	7.65	2.97	8.12	3.01	8.37	3.03	8.64	3.05	9.23	3.09	9.87	3.13						
46	7.87	3.00	7.55	3.04	8.04	3.08	8.30	3.11	8.58	3.13	9.18	3.17	9.84	3.20						
2500	2500	3500	5000	13500	135%	10	10.34	1.99	10.75	2.03	11.16	2.07	11.37	2.09	11.58	2.11	12.01	2.15	12.44	2.20
						12	10.16	2.04	10.57	2.08	10.99	2.12	11.19	2.15	11.40	2.17	11.83	2.21	12.26	2.25
						14	9.99	2.09	10.39	2.14	10.81	2.18	11.02	2.20	11.23	2.22	11.65	2.26	12.09	2.31
						16	9.81	2.15	10.22	2.19	10.63	2.23	10.84	2.26	11.05	2.28	11.48	2.32	11.91	2.36
						18	9.63	2.20	10.04	2.25	10.45	2.29	10.66	2.31	10.88	2.33	11.30	2.38	11.74	2.42
						20	9.45	2.26	9.86	2.31	10.28	2.35	10.49	2.37	10.70	2.39	11.13	2.44	11.56	2.48
						21	9.36	2.29	9.77	2.33	10.19	2.38	10.40	2.40	10.61	2.42	11.04	2.47	11.48	2.51
						23	9.19	2.35	9.60	2.39	10.01	2.44	10.22	2.46	10.44	2.48	10.87	2.53	11.30	2.57
						25	9.01	2.41	9.42	2.45	9.84	2.50	10.05	2.52	10.26	2.54	10.69	2.59	11.13	2.63
						27	8.83	2.47	9.25	2.51	9.66	2.56	9.88	2.58	10.09	2.60	10.52	2.65	10.96	2.69
						29	8.66	2.53	9.07	2.58	9.49	2.62	9.70	2.64	9.92	2.67	10.35	2.71	10.79	2.76
						31	8.48	2.59	8.90	2.64	9.32	2.68	9.53	2.71	9.74	2.73	10.18	2.77	10.61	2.82
						33	8.31	2.66	8.72	2.70	9.14	2.75	9.36	2.77	9.57	2.79	10.00	2.84	10.44	2.88
						35	8.13	2.72	8.55	2.77	8.97	2.81	9.20	2.83	9.40	2.86	9.83	2.90	10.27	2.95
						37	7.96	2.79	8.37	2.83	8.80	2.88	9.01	2.90	9.23	2.93	9.66	2.97	10.10	3.02
						39	7.78	2.85	8.20	2.90	8.63	2.95	8.84	2.97	9.06	2.99	9.49	3.04	9.93	3.09
						42	7.52	2.96	7.94	3.00	8.37	3.05	8.58	3.07	8.80	3.10	9.24	3.14	9.68	3.19
44	7.35	3.02	7.77	3.07	8.20	3.12	8.41	3.14	8.63	3.17	9.07	3.21	9.51	3.26						
46	7.18	3.09	7.60	3.14	8.03	3.19	8.24	3.21	8.46	3.24	8.90	3.28	9.34	3.33						

12. Capacity Table

Combination (Capacity Index)				Combination (Total)	Combination (%)	Outdoor Temperature (°C,DB)	Indoor Temperature(°C, WB)													
							14		16		18		19		20		22		24	
							TC(kW)	PI(kW)	TC(kW)	PI(kW)	TC(kW)	PI(kW)	TC(kW)	PI(kW)	TC(kW)	PI(kW)	TC(kW)	PI(kW)	TC(kW)	PI(kW)
2500	2500	3500	6800	15300	153%	10	11.02	1.97	11.45	2.01	11.89	2.06	12.11	2.08	12.34	2.10	12.79	2.14	13.25	2.18
						12	10.83	2.02	11.26	2.07	11.70	2.11	11.92	2.13	12.15	2.15	12.60	2.19	13.06	2.24
						14	10.64	2.08	11.07	2.12	11.51	2.16	11.74	2.18	11.96	2.21	12.41	2.25	12.87	2.29
						16	10.45	2.13	10.88	2.18	11.32	2.22	11.55	2.24	11.77	2.26	12.23	2.30	12.69	2.35
						18	10.26	2.19	10.69	2.23	11.14	2.27	11.36	2.30	11.58	2.32	12.04	2.36	12.50	2.40
						20	10.07	2.25	10.50	2.29	10.95	2.33	11.17	2.35	11.40	2.38	11.85	2.42	12.32	2.46
						21	9.97	2.27	10.41	2.32	10.85	2.36	11.08	2.38	11.30	2.40	11.76	2.45	12.22	2.49
						23	9.78	2.33	10.22	2.38	10.67	2.42	10.89	2.44	11.12	2.46	11.58	2.51	12.04	2.55
						25	9.60	2.39	10.03	2.44	10.48	2.48	10.71	2.50	10.93	2.52	11.39	2.57	11.86	2.61
						27	9.41	2.45	9.85	2.50	10.29	2.54	10.52	2.56	10.75	2.58	11.21	2.63	11.67	2.67
						29	9.22	2.51	9.66	2.56	10.11	2.60	10.33	2.62	10.56	2.65	11.02	2.69	11.49	2.74
						31	9.03	2.57	9.48	2.62	9.92	2.66	10.15	2.69	10.38	2.71	10.84	2.75	11.31	2.80
						33	8.85	2.64	9.29	2.68	9.74	2.73	9.97	2.75	10.19	2.77	10.66	2.82	11.12	2.86
						35	8.66	2.70	9.11	2.75	9.55	2.79	9.80	2.81	10.01	2.84	10.47	2.88	10.94	2.93
						37	8.48	2.77	8.92	2.81	9.37	2.86	9.60	2.88	9.83	2.90	10.29	2.95	10.76	3.00
						39	8.29	2.83	8.74	2.88	9.19	2.93	9.42	2.95	9.65	2.97	10.11	3.02	10.58	3.06
42	8.02	2.93	8.46	2.98	8.91	3.03	9.14	3.05	9.37	3.07	9.84	3.12	10.31	3.17						
44	7.83	3.00	8.28	3.05	8.73	3.10	8.96	3.12	9.19	3.14	9.66	3.19	10.13	3.24						
46	7.65	3.07	8.10	3.12	8.55	3.17	8.78	3.19	9.01	3.21	9.48	3.26	9.95	3.31						
2500	2500	5000	5000	15000	150%	10	11.02	1.96	11.45	2.01	11.89	2.05	12.11	2.07	12.34	2.09	12.79	2.13	13.25	2.17
						12	10.83	2.02	11.26	2.06	11.70	2.10	11.92	2.12	12.15	2.14	12.60	2.19	13.06	2.23
						14	10.64	2.07	11.07	2.11	11.51	2.16	11.74	2.18	11.96	2.20	12.41	2.24	12.87	2.28
						16	10.45	2.13	10.88	2.17	11.32	2.21	11.55	2.23	11.77	2.25	12.23	2.30	12.69	2.34
						18	10.26	2.18	10.69	2.22	11.14	2.27	11.36	2.29	11.58	2.31	12.04	2.35	12.50	2.40
						20	10.07	2.24	10.50	2.28	10.95	2.32	11.17	2.35	11.40	2.37	11.85	2.41	12.32	2.45
						21	9.97	2.27	10.41	2.31	10.85	2.35	11.08	2.37	11.30	2.40	11.76	2.44	12.22	2.48
						23	9.78	2.32	10.22	2.37	10.67	2.41	10.89	2.43	11.12	2.46	11.58	2.50	12.04	2.54
						25	9.60	2.38	10.03	2.43	10.48	2.47	10.71	2.49	10.93	2.51	11.39	2.56	11.86	2.60
						27	9.41	2.44	9.85	2.49	10.29	2.53	10.52	2.55	10.75	2.58	11.21	2.62	11.67	2.66
						29	9.22	2.50	9.66	2.55	10.11	2.59	10.33	2.62	10.56	2.64	11.02	2.68	11.49	2.73
						31	9.03	2.57	9.48	2.61	9.92	2.66	10.15	2.68	10.38	2.70	10.84	2.75	11.31	2.79
						33	8.85	2.63	9.29	2.67	9.74	2.72	9.97	2.74	10.19	2.76	10.66	2.81	11.12	2.85
						35	8.66	2.69	9.11	2.74	9.55	2.78	9.80	2.80	10.01	2.83	10.47	2.87	10.94	2.92
						37	8.48	2.76	8.92	2.80	9.37	2.85	9.60	2.87	9.83	2.89	10.29	2.94	10.76	2.99
						39	8.29	2.82	8.74	2.87	9.19	2.92	9.42	2.94	9.65	2.96	10.11	3.01	10.58	3.05
42	8.02	2.92	8.46	2.97	8.91	3.02	9.14	3.04	9.37	3.06	9.84	3.11	10.31	3.16						
44	7.83	2.99	8.28	3.04	8.73	3.09	8.96	3.11	9.19	3.13	9.66	3.18	10.13	3.23						
46	7.65	3.06	8.10	3.11	8.55	3.16	8.78	3.18	9.01	3.20	9.48	3.25	9.95	3.30						

12. Capacity Table

Combination (Capacity Index)				Combination (Total)	Combination (%)	Outdoor Temperature (°C, DB)	Indoor Temperature(°C, WB)													
							14		16		18		19		20		22		24	
							TC(kW)	PI(kW)	TC(kW)	PI(kW)	TC(kW)	PI(kW)	TC(kW)	PI(kW)	TC(kW)	PI(kW)	TC(kW)	PI(kW)	TC(kW)	PI(kW)
2500	2500	5000	6800	16800	168%	10	11.02	2.05	11.45	2.09	11.89	2.14	12.11	2.16	12.34	2.18	12.79	2.22	13.25	2.27
						12	10.83	2.10	11.26	2.15	11.70	2.19	11.92	2.21	12.15	2.24	12.60	2.28	13.06	2.32
						14	10.64	2.16	11.07	2.20	11.51	2.25	11.74	2.27	11.96	2.29	12.41	2.34	12.87	2.38
						16	10.45	2.22	10.88	2.26	11.32	2.31	11.55	2.33	11.77	2.35	12.23	2.39	12.69	2.44
						18	10.26	2.27	10.69	2.32	11.14	2.36	11.36	2.39	11.58	2.41	12.04	2.45	12.50	2.50
						20	10.07	2.33	10.50	2.38	10.95	2.42	11.17	2.45	11.40	2.47	11.85	2.51	12.32	2.56
						21	9.97	2.36	10.41	2.41	10.85	2.45	11.08	2.48	11.30	2.50	11.76	2.54	12.22	2.59
						23	9.78	2.42	10.22	2.47	10.67	2.51	10.89	2.54	11.12	2.56	11.58	2.61	12.04	2.65
						25	9.60	2.49	10.03	2.53	10.48	2.58	10.71	2.60	10.93	2.62	11.39	2.67	11.86	2.71
						27	9.41	2.55	9.85	2.59	10.29	2.64	10.52	2.66	10.75	2.69	11.21	2.73	11.67	2.78
						29	9.22	2.61	9.66	2.66	10.11	2.70	10.33	2.73	10.56	2.75	11.02	2.80	11.49	2.84
						31	9.03	2.68	9.48	2.72	9.92	2.77	10.15	2.79	10.38	2.82	10.84	2.86	11.31	2.91
						33	8.85	2.74	9.29	2.79	9.74	2.84	9.97	2.86	10.19	2.88	10.66	2.93	11.12	2.98
						35	8.66	2.81	9.11	2.86	9.55	2.90	9.80	2.92	10.01	2.95	10.47	3.00	10.94	3.04
						37	8.48	2.88	8.92	2.92	9.37	2.97	9.60	2.99	9.83	3.02	10.29	3.07	10.76	3.11
						39	8.29	2.94	8.74	2.99	9.19	3.04	9.42	3.06	9.65	3.09	10.11	3.14	10.58	3.18
						42	8.02	3.05	8.46	3.10	8.91	3.15	9.14	3.17	9.37	3.19	9.84	3.24	10.31	3.29
44	7.83	3.12	8.28	3.17	8.73	3.22	8.96	3.24	9.19	3.27	9.66	3.31	10.13	3.36						
46	7.65	3.19	8.10	3.24	8.55	3.29	8.78	3.31	9.01	3.34	9.48	3.39	9.95	3.44						
2500	3500	3500	3500	13000	130%	10	10.23	1.95	10.63	1.99	11.04	2.03	11.25	2.05	11.46	2.08	11.88	2.12	12.30	2.16
						12	10.05	2.00	10.46	2.04	10.87	2.09	11.07	2.11	11.28	2.13	11.70	2.17	12.13	2.21
						14	9.88	2.06	10.28	2.10	10.69	2.14	10.90	2.16	11.11	2.18	11.53	2.22	11.95	2.27
						16	9.70	2.11	10.10	2.15	10.51	2.19	10.72	2.22	10.93	2.24	11.35	2.28	11.78	2.32
						18	9.52	2.17	9.93	2.21	10.34	2.25	10.55	2.27	10.76	2.29	11.18	2.34	11.61	2.38
						20	9.35	2.22	9.75	2.26	10.17	2.31	10.37	2.33	10.58	2.35	11.01	2.39	11.44	2.44
						21	9.26	2.25	9.67	2.29	10.08	2.34	10.29	2.36	10.50	2.38	10.92	2.42	11.35	2.47
						23	9.09	2.31	9.49	2.35	9.91	2.39	10.11	2.42	10.32	2.44	10.75	2.48	11.18	2.52
						25	8.91	2.37	9.32	2.41	9.73	2.45	9.94	2.48	10.15	2.50	10.58	2.54	11.01	2.58
						27	8.74	2.43	9.14	2.47	9.56	2.51	9.77	2.54	9.98	2.56	10.41	2.60	10.84	2.65
						29	8.56	2.49	8.97	2.53	9.39	2.57	9.60	2.60	9.81	2.62	10.24	2.66	10.67	2.71
						31	8.39	2.55	8.80	2.59	9.21	2.64	9.43	2.66	9.64	2.68	10.07	2.73	10.50	2.77
						33	8.22	2.61	8.63	2.65	9.04	2.70	9.25	2.72	9.47	2.74	9.90	2.79	10.33	2.83
						35	8.04	2.67	8.45	2.72	8.87	2.76	9.10	2.78	9.30	2.81	9.73	2.85	10.16	2.90
						37	7.87	2.74	8.28	2.78	8.70	2.83	8.91	2.85	9.13	2.87	9.56	2.92	9.99	2.96
						39	7.70	2.80	8.11	2.85	8.53	2.89	8.74	2.92	8.96	2.94	9.39	2.99	9.83	3.03
						42	7.44	2.90	7.86	2.95	8.28	2.99	8.49	3.02	8.70	3.04	9.14	3.09	9.57	3.13
44	7.27	2.97	7.69	3.02	8.11	3.06	8.32	3.09	8.54	3.11	8.97	3.16	9.41	3.20						
46	7.10	3.04	7.52	3.09	7.94	3.13	8.15	3.16	8.37	3.18	8.80	3.23	9.24	3.27						

12. Capacity Table

Combination (Capacity Index)				Combination (Total)	Combination (%)	Outdoor Temperature (°C,DB)	Indoor Temperature(°C, WB)													
							14		16		18		19		20		22		24	
							TC(kW)	PI(kW)	TC(kW)	PI(kW)	TC(kW)	PI(kW)	TC(kW)	PI(kW)	TC(kW)	PI(kW)	TC(kW)	PI(kW)	TC(kW)	PI(kW)
2500	3500	3500	5000	14500	145%	10	10.57	1.96	10.98	2.00	11.41	2.04	11.62	2.06	11.83	2.08	12.27	2.12	12.71	2.17
						12	10.39	2.01	10.80	2.05	11.22	2.09	11.44	2.12	11.65	2.14	12.09	2.18	12.53	2.22
						14	10.20	2.06	10.62	2.11	11.04	2.15	11.26	2.17	11.47	2.19	11.91	2.23	12.35	2.27
						16	10.02	2.12	10.44	2.16	10.86	2.20	11.08	2.22	11.29	2.25	11.73	2.29	12.17	2.33
						18	9.84	2.17	10.26	2.22	10.68	2.26	10.90	2.28	11.11	2.30	11.55	2.34	11.99	2.39
						20	9.66	2.23	10.08	2.27	10.50	2.32	10.72	2.34	10.93	2.36	11.37	2.40	11.81	2.45
						21	9.57	2.26	9.99	2.30	10.41	2.34	10.63	2.37	10.84	2.39	11.28	2.43	11.73	2.47
						23	9.38	2.32	9.81	2.36	10.23	2.40	10.45	2.42	10.66	2.45	11.10	2.49	11.55	2.53
						25	9.20	2.37	9.63	2.42	10.05	2.46	10.27	2.48	10.49	2.51	10.93	2.55	11.37	2.59
						27	9.02	2.43	9.45	2.48	9.87	2.52	10.09	2.54	10.31	2.57	10.75	2.61	11.20	2.65
						29	8.84	2.49	9.27	2.54	9.70	2.58	9.91	2.61	10.13	2.63	10.57	2.67	11.02	2.72
						31	8.67	2.56	9.09	2.60	9.52	2.65	9.74	2.67	9.95	2.69	10.40	2.74	10.85	2.78
						33	8.49	2.62	8.91	2.66	9.34	2.71	9.56	2.73	9.78	2.75	10.22	2.80	10.67	2.84
						35	8.31	2.68	8.73	2.73	9.16	2.77	9.40	2.79	9.60	2.82	10.05	2.86	10.50	2.91
						37	8.13	2.75	8.56	2.79	8.99	2.84	9.21	2.86	9.43	2.88	9.87	2.93	10.32	2.98
						39	7.95	2.81	8.38	2.86	8.81	2.90	9.03	2.93	9.25	2.95	9.70	3.00	10.15	3.04
42	7.69	2.91	8.12	2.96	8.55	3.01	8.77	3.03	8.99	3.05	9.44	3.10	9.89	3.14						
44	7.51	2.98	7.94	3.03	8.38	3.07	8.60	3.10	8.82	3.12	9.26	3.17	9.72	3.21						
46	7.34	3.05	7.77	3.10	8.20	3.14	8.42	3.17	8.64	3.19	9.09	3.24	9.55	3.28						
2500	3500	3500	6800	16300	163%	10	11.02	2.01	11.45	2.05	11.89	2.09	12.11	2.11	12.34	2.14	12.79	2.18	13.25	2.22
						12	10.83	2.06	11.26	2.10	11.70	2.15	11.92	2.17	12.15	2.19	12.60	2.23	13.06	2.28
						14	10.64	2.12	11.07	2.16	11.51	2.20	11.74	2.22	11.96	2.25	12.41	2.29	12.87	2.33
						16	10.45	2.17	10.88	2.21	11.32	2.26	11.55	2.28	11.77	2.30	12.23	2.35	12.69	2.39
						18	10.26	2.23	10.69	2.27	11.14	2.32	11.36	2.34	11.58	2.36	12.04	2.40	12.50	2.45
						20	10.07	2.29	10.50	2.33	10.95	2.37	11.17	2.40	11.40	2.42	11.85	2.46	12.32	2.51
						21	9.97	2.31	10.41	2.36	10.85	2.40	11.08	2.43	11.30	2.45	11.76	2.49	12.22	2.54
						23	9.78	2.37	10.22	2.42	10.67	2.46	10.89	2.49	11.12	2.51	11.58	2.55	12.04	2.60
						25	9.60	2.43	10.03	2.48	10.48	2.52	10.71	2.55	10.93	2.57	11.39	2.61	11.86	2.66
						27	9.41	2.50	9.85	2.54	10.29	2.59	10.52	2.61	10.75	2.63	11.21	2.68	11.67	2.72
						29	9.22	2.56	9.66	2.60	10.11	2.65	10.33	2.67	10.56	2.69	11.02	2.74	11.49	2.79
						31	9.03	2.62	9.48	2.67	9.92	2.71	10.15	2.74	10.38	2.76	10.84	2.80	11.31	2.85
						33	8.85	2.69	9.29	2.73	9.74	2.78	9.97	2.80	10.19	2.82	10.66	2.87	11.12	2.92
						35	8.66	2.75	9.11	2.80	9.55	2.84	9.80	2.86	10.01	2.89	10.47	2.94	10.94	2.98
						37	8.48	2.82	8.92	2.86	9.37	2.91	9.60	2.93	9.83	2.96	10.29	3.00	10.76	3.05
						39	8.29	2.88	8.74	2.93	9.19	2.98	9.42	3.00	9.65	3.02	10.11	3.07	10.58	3.12
42	8.02	2.99	8.46	3.03	8.91	3.08	9.14	3.10	9.37	3.13	9.84	3.18	10.31	3.22						
44	7.83	3.06	8.28	3.10	8.73	3.15	8.96	3.18	9.19	3.20	9.66	3.25	10.13	3.29						
46	7.65	3.13	8.10	3.17	8.55	3.22	8.78	3.25	9.01	3.27	9.48	3.32	9.95	3.37						

12. Capacity Table

Combination (Capacity Index)				Combination (Total)	Combination (%)	Outdoor Temperature (°C,DB)	Indoor Temperature(°C, WB)															
							14		16		18		19		20		22		24			
							TC(kW)	PI(kW)	TC(kW)	PI(kW)	TC(kW)	PI(kW)	TC(kW)	PI(kW)	TC(kW)	PI(kW)	TC(kW)	PI(kW)	TC(kW)	PI(kW)		
2500	3500	5000	5000	16000	160%	10	11.02	2.00	11.45	2.04	11.89	2.08	12.11	2.11	12.34	2.13	12.79	2.17	13.25	2.21		
						12	10.83	2.05	11.26	2.10	11.70	2.14	11.92	2.16	12.15	2.18	12.60	2.22	13.06	2.27		
						14	10.64	2.11	11.07	2.15	11.51	2.19	11.74	2.22	11.96	2.24	12.41	2.28	12.87	2.32		
						16	10.45	2.16	10.88	2.21	11.32	2.25	11.55	2.27	11.77	2.29	12.23	2.34	12.69	2.38		
						18	10.26	2.22	10.69	2.26	11.14	2.31	11.36	2.33	11.58	2.35	12.04	2.39	12.50	2.44		
						20	10.07	2.28	10.50	2.32	10.95	2.37	11.17	2.39	11.40	2.41	11.85	2.45	12.32	2.50		
						21	9.97	2.31	10.41	2.35	10.85	2.39	11.08	2.42	11.30	2.44	11.76	2.48	12.22	2.53		
						23	9.78	2.37	10.22	2.41	10.67	2.45	10.89	2.48	11.12	2.50	11.58	2.54	12.04	2.59		
						25	9.60	2.43	10.03	2.47	10.48	2.52	10.71	2.54	10.93	2.56	11.39	2.60	11.86	2.65		
						27	9.41	2.49	9.85	2.53	10.29	2.58	10.52	2.60	10.75	2.62	11.21	2.67	11.67	2.71		
						29	9.22	2.55	9.66	2.59	10.11	2.64	10.33	2.66	10.56	2.68	11.02	2.73	11.49	2.78		
						31	9.03	2.61	9.48	2.66	9.92	2.70	10.15	2.73	10.38	2.75	10.84	2.79	11.31	2.84		
						33	8.85	2.68	9.29	2.72	9.74	2.77	9.97	2.79	10.19	2.81	10.66	2.86	11.12	2.91		
						35	8.66	2.74	9.11	2.79	9.55	2.83	9.80	2.85	10.01	2.88	10.47	2.93	10.94	2.97		
						37	8.48	2.81	8.92	2.85	9.37	2.90	9.60	2.92	9.83	2.95	10.29	2.99	10.76	3.04		
						39	8.29	2.87	8.74	2.92	9.19	2.97	9.42	2.99	9.65	3.01	10.11	3.06	10.58	3.11		
42	8.02	2.98	8.46	3.02	8.91	3.07	9.14	3.09	9.37	3.12	9.84	3.16	10.31	3.21								
44	7.83	3.05	8.28	3.09	8.73	3.14	8.96	3.16	9.19	3.19	9.66	3.24	10.13	3.28								
46	7.65	3.12	8.10	3.16	8.55	3.21	8.78	3.24	9.01	3.26	9.48	3.31	9.95	3.35								
3500	3500	3500	3500	14000	140%	10	10.48	1.99	10.89	2.03	11.31	2.07	11.52	2.09	11.73	2.11	12.16	2.15	12.60	2.20		
						12	10.30	2.04	10.71	2.08	11.13	2.12	11.34	2.15	11.55	2.17	11.98	2.21	12.42	2.25		
						14	10.12	2.09	10.53	2.14	10.95	2.18	11.16	2.20	11.37	2.22	11.81	2.26	12.24	2.31		
						16	9.93	2.15	10.35	2.19	10.77	2.23	10.98	2.26	11.20	2.28	11.63	2.32	12.07	2.36		
						18	9.75	2.20	10.17	2.25	10.59	2.29	10.80	2.31	11.02	2.33	11.45	2.38	11.89	2.42		
						20	9.57	2.26	9.99	2.31	10.41	2.35	10.62	2.37	10.84	2.39	11.27	2.44	11.71	2.48		
						21	9.48	2.29	9.90	2.33	10.32	2.38	10.54	2.40	10.75	2.42	11.19	2.47	11.63	2.51		
						23	9.30	2.35	9.72	2.39	10.14	2.44	10.36	2.46	10.57	2.48	11.01	2.53	11.45	2.57		
						25	9.13	2.41	9.54	2.45	9.97	2.50	10.18	2.52	10.40	2.54	10.83	2.59	11.28	2.63		
						27	8.95	2.47	9.37	2.51	9.79	2.56	10.00	2.58	10.22	2.60	10.66	2.65	11.10	2.69		
						29	8.77	2.53	9.19	2.58	9.61	2.62	9.83	2.64	10.05	2.67	10.48	2.71	10.93	2.76		
						31	8.59	2.59	9.01	2.64	9.44	2.68	9.65	2.71	9.87	2.73	10.31	2.77	10.75	2.82		
						33	8.41	2.66	8.84	2.70	9.26	2.75	9.48	2.77	9.70	2.79	10.13	2.84	10.58	2.88		
						35	8.24	2.72	8.66	2.77	9.09	2.81	9.32	2.83	9.52	2.86	9.96	2.90	10.41	2.95		
						37	8.06	2.79	8.48	2.83	8.91	2.88	9.13	2.90	9.35	2.93	9.79	2.97	10.24	3.02		
						39	7.89	2.85	8.31	2.90	8.74	2.95	8.96	2.97	9.17	2.99	9.62	3.04	10.06	3.09		
42	7.62	2.96	8.05	3.00	8.48	3.05	8.70	3.07	8.91	3.10	9.36	3.14	9.81	3.19								
44	7.45	3.02	7.87	3.07	8.30	3.12	8.52	3.14	8.74	3.17	9.19	3.21	9.64	3.26								
46	7.27	3.09	7.70	3.14	8.13	3.19	8.35	3.21	8.57	3.24	9.01	3.28	9.47	3.33								

12. Capacity Table

Combination (Capacity Index)				Combination (Total)	Combination (%)	Outdoor Temperature (°C, DB)	Indoor Temperature(°C, WB)													
							14		16		18		19		20		22		24	
							TC(kW)	PI(kW)	TC(kW)	PI(kW)	TC(kW)	PI(kW)	TC(kW)	PI(kW)	TC(kW)	PI(kW)	TC(kW)	PI(kW)	TC(kW)	PI(kW)
3500	3500	3500	5000	15500	155%	10	11.02	1.99	11.45	2.04	11.89	2.08	12.11	2.10	12.34	2.12	12.79	2.16	13.25	2.21
						12	10.83	2.05	11.26	2.09	11.70	2.13	11.92	2.15	12.15	2.17	12.60	2.22	13.06	2.26
						14	10.64	2.10	11.07	2.14	11.51	2.19	11.74	2.21	11.96	2.23	12.41	2.27	12.87	2.32
						16	10.45	2.16	10.88	2.20	11.32	2.24	11.55	2.26	11.77	2.29	12.23	2.33	12.69	2.37
						18	10.26	2.21	10.69	2.26	11.14	2.30	11.36	2.32	11.58	2.34	12.04	2.39	12.50	2.43
						20	10.07	2.27	10.50	2.31	10.95	2.36	11.17	2.38	11.40	2.40	11.85	2.45	12.32	2.49
						21	9.97	2.30	10.41	2.34	10.85	2.39	11.08	2.41	11.30	2.43	11.76	2.47	12.22	2.52
						23	9.78	2.36	10.22	2.40	10.67	2.45	10.89	2.47	11.12	2.49	11.58	2.53	12.04	2.58
						25	9.60	2.42	10.03	2.46	10.48	2.51	10.71	2.53	10.93	2.55	11.39	2.60	11.86	2.64
						27	9.41	2.48	9.85	2.52	10.29	2.57	10.52	2.59	10.75	2.61	11.21	2.66	11.67	2.70
						29	9.22	2.54	9.66	2.58	10.11	2.63	10.33	2.65	10.56	2.68	11.02	2.72	11.49	2.77
						31	9.03	2.60	9.48	2.65	9.92	2.69	10.15	2.72	10.38	2.74	10.84	2.78	11.31	2.83
						33	8.85	2.67	9.29	2.71	9.74	2.76	9.97	2.78	10.19	2.80	10.66	2.85	11.12	2.89
						35	8.66	2.73	9.11	2.78	9.55	2.82	9.80	2.84	10.01	2.87	10.47	2.92	10.94	2.96
						37	8.48	2.80	8.92	2.84	9.37	2.89	9.60	2.91	9.83	2.94	10.29	2.98	10.76	3.03
						39	8.29	2.86	8.74	2.91	9.19	2.96	9.42	2.98	9.65	3.00	10.11	3.05	10.58	3.10
42	8.02	2.97	8.46	3.01	8.91	3.06	9.14	3.08	9.37	3.11	9.84	3.15	10.31	3.20						
44	7.83	3.03	8.28	3.08	8.73	3.13	8.96	3.15	9.19	3.18	9.66	3.22	10.13	3.27						
46	7.65	3.11	8.10	3.15	8.55	3.20	8.78	3.22	9.01	3.25	9.48	3.30	9.95	3.34						
3500	3500	3500	6800	17300	173%	10	11.02	2.04	11.45	2.09	11.89	2.13	12.11	2.15	12.34	2.17	12.79	2.22	13.25	2.26
						12	10.83	2.10	11.26	2.14	11.70	2.18	11.92	2.21	12.15	2.23	12.60	2.27	13.06	2.32
						14	10.64	2.15	11.07	2.20	11.51	2.24	11.74	2.26	11.96	2.28	12.41	2.33	12.87	2.37
						16	10.45	2.21	10.88	2.25	11.32	2.30	11.55	2.32	11.77	2.34	12.23	2.39	12.69	2.43
						18	10.26	2.27	10.69	2.31	11.14	2.36	11.36	2.38	11.58	2.40	12.04	2.45	12.50	2.49
						20	10.07	2.33	10.50	2.37	10.95	2.42	11.17	2.44	11.40	2.46	11.85	2.51	12.32	2.55
						21	9.97	2.36	10.41	2.40	10.85	2.45	11.08	2.47	11.30	2.49	11.76	2.54	12.22	2.58
						23	9.78	2.42	10.22	2.46	10.67	2.51	10.89	2.53	11.12	2.55	11.58	2.60	12.04	2.64
						25	9.60	2.48	10.03	2.52	10.48	2.57	10.71	2.59	10.93	2.61	11.39	2.66	11.86	2.71
						27	9.41	2.54	9.85	2.58	10.29	2.63	10.52	2.65	10.75	2.68	11.21	2.72	11.67	2.77
						29	9.22	2.60	9.66	2.65	10.11	2.69	10.33	2.72	10.56	2.74	11.02	2.79	11.49	2.83
						31	9.03	2.67	9.48	2.71	9.92	2.76	10.15	2.78	10.38	2.81	10.84	2.85	11.31	2.90
						33	8.85	2.73	9.29	2.78	9.74	2.83	9.97	2.85	10.19	2.87	10.66	2.92	11.12	2.97
						35	8.66	2.80	9.11	2.85	9.55	2.89	9.80	2.91	10.01	2.94	10.47	2.99	10.94	3.03
						37	8.48	2.87	8.92	2.91	9.37	2.96	9.60	2.98	9.83	3.01	10.29	3.06	10.76	3.10
						39	8.29	2.93	8.74	2.98	9.19	3.03	9.42	3.05	9.65	3.08	10.11	3.13	10.58	3.17
42	8.02	3.04	8.46	3.09	8.91	3.14	9.14	3.16	9.37	3.18	9.84	3.23	10.31	3.28						
44	7.83	3.11	8.28	3.16	8.73	3.21	8.96	3.23	9.19	3.26	9.66	3.30	10.13	3.35						
46	7.65	3.18	8.10	3.23	8.55	3.28	8.78	3.30	9.01	3.33	9.48	3.38	9.95	3.43						

12. Capacity Table

Combination (Capacity Index)				Combination (Total)	Combination (%)	Outdoor Temperature (°C,DB)	Indoor Temperature(°C, WB)													
							14		16		18		19		20		22		24	
							TC(kW)	PI(kW)	TC(kW)	PI(kW)	TC(kW)	PI(kW)	TC(kW)	PI(kW)	TC(kW)	PI(kW)	TC(kW)	PI(kW)	TC(kW)	PI(kW)
3500	3500	5000	5000	17000	170%	10	11.02	2.04	11.45	2.09	11.89	2.13	12.11	2.15	12.34	2.17	12.79	2.22	13.25	2.26
						12	10.83	2.10	11.26	2.14	11.70	2.18	11.92	2.21	12.15	2.23	12.60	2.27	13.06	2.32
						14	10.64	2.15	11.07	2.20	11.51	2.24	11.74	2.26	11.96	2.28	12.41	2.33	12.87	2.37
						16	10.45	2.21	10.88	2.25	11.32	2.30	11.55	2.32	11.77	2.34	12.23	2.39	12.69	2.43
						18	10.26	2.27	10.69	2.31	11.14	2.36	11.36	2.38	11.58	2.40	12.04	2.45	12.50	2.49
						20	10.07	2.33	10.50	2.37	10.95	2.42	11.17	2.44	11.40	2.46	11.85	2.51	12.32	2.55
						21	9.97	2.36	10.41	2.40	10.85	2.45	11.08	2.47	11.30	2.49	11.76	2.54	12.22	2.58
						23	9.78	2.42	10.22	2.46	10.67	2.51	10.89	2.53	11.12	2.55	11.58	2.60	12.04	2.64
						25	9.60	2.48	10.03	2.52	10.48	2.57	10.71	2.59	10.93	2.61	11.39	2.66	11.86	2.71
						27	9.41	2.54	9.85	2.58	10.29	2.63	10.52	2.65	10.75	2.68	11.21	2.72	11.67	2.77
						29	9.22	2.60	9.66	2.65	10.11	2.69	10.33	2.72	10.56	2.74	11.02	2.79	11.49	2.83
						31	9.03	2.67	9.48	2.71	9.92	2.76	10.15	2.78	10.38	2.81	10.84	2.85	11.31	2.90
						33	8.85	2.73	9.29	2.78	9.74	2.83	9.97	2.85	10.19	2.87	10.66	2.92	11.12	2.97
						35	8.66	2.80	9.11	2.85	9.55	2.89	9.80	2.91	10.01	2.94	10.47	2.99	10.94	3.03
						37	8.48	2.87	8.92	2.91	9.37	2.96	9.60	2.98	9.83	3.01	10.29	3.06	10.76	3.10
						39	8.29	2.93	8.74	2.98	9.19	3.03	9.42	3.05	9.65	3.08	10.11	3.13	10.58	3.17
42	8.02	3.04	8.46	3.09	8.91	3.14	9.14	3.16	9.37	3.18	9.84	3.23	10.31	3.28						
44	7.83	3.11	8.28	3.16	8.73	3.21	8.96	3.23	9.19	3.26	9.66	3.30	10.13	3.35						
46	7.65	3.18	8.10	3.23	8.55	3.28	8.78	3.30	9.01	3.33	9.48	3.38	9.95	3.43						
2000	2000	2000	2000	10000	100%	10	8.40	1.86	11.84	1.91	12.07	1.95	12.20	1.98	12.35	2.00	12.70	2.04	13.10	2.08
						12	8.40	1.91	11.52	1.96	11.76	2.00	11.90	2.02	12.06	2.04	12.42	2.09	12.85	2.13
						14	8.40	1.96	11.21	2.00	11.47	2.05	11.62	2.07	11.79	2.09	12.16	2.13	12.60	2.17
						16	8.40	2.01	10.92	2.05	11.19	2.10	11.35	2.12	11.52	2.14	11.92	2.18	12.37	2.22
						18	8.40	2.06	10.63	2.10	10.92	2.15	11.09	2.17	11.27	2.19	11.68	2.23	12.16	2.27
						20	8.40	2.11	10.36	2.16	10.67	2.20	10.85	2.22	11.04	2.24	11.46	2.28	11.95	2.32
						21	8.40	2.14	10.23	2.18	10.55	2.23	10.73	2.25	10.92	2.27	11.36	2.31	11.86	2.35
						23	8.40	2.19	9.98	2.24	10.32	2.28	10.50	2.30	10.71	2.32	11.16	2.36	11.67	2.40
						25	8.40	2.25	9.75	2.29	10.10	2.34	10.29	2.36	10.50	2.38	10.97	2.42	11.50	2.46
						27	8.40	2.30	9.52	2.35	9.89	2.39	10.09	2.41	10.31	2.44	10.80	2.48	11.34	2.52
						29	8.40	2.36	9.31	2.41	9.69	2.45	9.91	2.47	10.14	2.49	10.64	2.53	11.20	2.57
						31	8.40	2.42	9.12	2.47	9.51	2.51	9.74	2.53	9.97	2.55	10.49	2.59	11.07	2.63
						33	8.40	2.48	8.93	2.53	9.35	2.57	9.58	2.59	9.82	2.61	10.35	2.66	10.95	2.69
						35	8.40	2.55	8.76	2.59	9.19	2.64	9.50	2.65	9.68	2.68	10.23	2.72	10.84	2.76
						37	8.40	2.61	8.61	2.66	9.05	2.70	9.30	2.72	9.56	2.74	10.13	2.78	10.75	2.82
						39	8.40	2.68	8.46	2.72	8.92	2.76	9.18	2.79	9.45	2.81	10.03	2.85	10.67	2.88
42	8.40	2.78	8.27	2.82	8.76	2.87	9.02	2.89	9.31	2.91	9.91	2.95	10.58	2.98						
44	8.40	2.85	8.16	2.89	8.66	2.93	8.94	2.96	9.23	2.98	9.85	3.01	10.54	3.05						
46	8.40	2.92	8.06	2.96	8.58	3.00	8.86	3.03	9.16	3.05	9.80	3.08	10.50	3.12						

12. Capacity Table

Combination (Capacity Index)					Combination (Total)	Combination (%)	Outdoor Temperature (°C,DB)	Indoor Temperature(°C, WB)															
								14		16		18		19		20		22		24			
								TC(kW)	PI(kW)	TC(kW)	PI(kW)	TC(kW)	PI(kW)	TC(kW)	PI(kW)	TC(kW)	PI(kW)	TC(kW)	PI(kW)	TC(kW)	PI(kW)		
2000	2000	2000	2000	2500	10500	105%	10	8.44	1.90	11.91	1.94	12.13	1.99	12.27	2.01	12.42	2.04	12.76	2.08	13.17	2.12		
							12	8.44	1.94	11.58	1.99	11.82	2.04	11.97	2.06	12.13	2.08	12.49	2.13	12.91	2.17		
							14	8.44	1.99	11.27	2.04	11.53	2.09	11.68	2.11	11.85	2.13	12.23	2.17	12.67	2.22		
							16	8.44	2.04	10.97	2.09	11.25	2.14	11.41	2.16	11.58	2.18	11.98	2.22	12.44	2.27		
							18	8.44	2.10	10.69	2.14	10.98	2.19	11.15	2.21	11.33	2.23	11.75	2.28	12.22	2.32		
							20	8.44	2.15	10.42	2.20	10.73	2.24	10.90	2.26	11.09	2.29	11.52	2.33	12.02	2.37		
							21	8.44	2.18	10.29	2.22	10.60	2.27	10.78	2.29	10.98	2.31	11.42	2.35	11.92	2.40		
							23	8.44	2.23	10.04	2.28	10.37	2.32	10.56	2.35	10.76	2.37	11.22	2.41	11.73	2.45		
							25	8.44	2.29	9.80	2.34	10.15	2.38	10.35	2.40	10.56	2.42	11.03	2.47	11.56	2.51		
							27	8.44	2.35	9.57	2.39	9.94	2.44	10.15	2.46	10.37	2.48	10.85	2.52	11.40	2.56		
							29	8.44	2.41	9.36	2.45	9.75	2.50	9.96	2.52	10.19	2.54	10.69	2.58	11.26	2.62		
							31	8.44	2.47	9.17	2.51	9.56	2.56	9.79	2.58	10.02	2.60	10.54	2.64	11.13	2.68		
							33	8.44	2.53	8.98	2.58	9.40	2.62	9.63	2.64	9.87	2.66	10.41	2.71	11.01	2.74		
							35	8.44	2.60	8.81	2.64	9.24	2.69	9.55	2.70	9.73	2.73	10.29	2.77	10.90	2.81		
							37	8.44	2.66	8.65	2.71	9.10	2.75	9.35	2.77	9.61	2.79	10.18	2.83	10.81	2.87		
							39	8.44	2.73	8.51	2.77	8.97	2.82	9.23	2.84	9.50	2.86	10.08	2.90	10.73	2.94		
42	8.44	2.83	8.32	2.88	8.80	2.92	9.07	2.94	9.35	2.96	9.97	3.00	10.64	3.04									
44	8.44	2.90	8.20	2.95	8.71	2.99	8.98	3.01	9.28	3.03	9.90	3.07	10.59	3.11									
46	8.44	2.97	8.11	3.02	8.63	3.06	8.91	3.08	9.21	3.10	9.85	3.14	10.56	3.18									
2000	2000	2000	2000	3500	11500	115%	10	8.54	1.93	12.04	1.98	12.27	2.03	12.41	2.05	12.56	2.07	12.91	2.12	13.32	2.16		
							12	8.54	1.98	11.71	2.03	11.96	2.08	12.10	2.10	12.27	2.12	12.63	2.17	13.06	2.21		
							14	8.54	2.03	11.40	2.08	11.66	2.13	11.82	2.15	11.98	2.17	12.37	2.21	12.82	2.26		
							16	8.54	2.08	11.10	2.13	11.38	2.18	11.54	2.20	11.72	2.22	12.12	2.27	12.58	2.31		
							18	8.54	2.13	10.81	2.18	11.11	2.23	11.28	2.25	11.46	2.27	11.88	2.32	12.36	2.36		
							20	8.54	2.19	10.54	2.24	10.85	2.28	11.03	2.31	11.22	2.33	11.66	2.37	12.15	2.41		
							21	8.54	2.22	10.41	2.26	10.73	2.31	10.91	2.33	11.11	2.36	11.55	2.40	12.05	2.44		
							23	8.54	2.27	10.15	2.32	10.49	2.37	10.68	2.39	10.89	2.41	11.35	2.45	11.87	2.50		
							25	8.54	2.33	9.91	2.38	10.27	2.42	10.46	2.45	10.68	2.47	11.16	2.51	11.69	2.55		
							27	8.54	2.39	9.69	2.44	10.05	2.48	10.26	2.51	10.49	2.53	10.98	2.57	11.53	2.61		
							29	8.54	2.45	9.47	2.50	9.86	2.54	10.07	2.57	10.31	2.59	10.82	2.63	11.39	2.67		
							31	8.54	2.51	9.27	2.56	9.67	2.61	9.90	2.63	10.14	2.65	10.67	2.69	11.25	2.73		
							33	8.54	2.58	9.08	2.62	9.50	2.67	9.74	2.69	9.99	2.71	10.53	2.76	11.13	2.80		
							35	8.54	2.64	8.91	2.69	9.35	2.73	9.66	2.75	9.85	2.78	10.41	2.82	11.03	2.86		
							37	8.54	2.71	8.75	2.76	9.20	2.80	9.45	2.82	9.72	2.84	10.30	2.89	10.93	2.93		
							39	8.54	2.78	8.61	2.82	9.08	2.87	9.33	2.89	9.61	2.91	10.20	2.95	10.85	2.99		
42	8.54	2.88	8.41	2.93	8.91	2.97	9.18	3.00	9.46	3.02	10.08	3.06	10.76	3.10									
44	8.54	2.96	8.30	3.00	8.81	3.05	9.09	3.07	9.38	3.09	10.02	3.13	10.71	3.17									
46	8.54	3.03	8.20	3.07	8.73	3.12	9.01	3.14	9.32	3.16	9.97	3.20	10.68	3.24									

12. Capacity Table

Combination (Capacity Index)					Combination (Total)	Combination (%)	Outdoor Temperature (°C,DB)	Indoor Temperature(°C, WB)															
								14		16		18		19		20		22		24			
								TC(kW)	PI(kW)	TC(kW)	PI(kW)	TC(kW)	PI(kW)	TC(kW)	PI(kW)	TC(kW)	PI(kW)	TC(kW)	PI(kW)	TC(kW)	PI(kW)		
2000	2000	2000	2000	5000	13000	130%	10	11.24	1.97	11.69	2.01	12.13	2.06	12.36	2.08	12.59	2.10	13.05	2.14	13.52	2.18		
							12	11.05	2.02	11.49	2.07	11.94	2.11	12.17	2.13	12.40	2.15	12.86	2.19	13.33	2.24		
							14	10.85	2.08	11.30	2.12	11.75	2.16	11.97	2.18	12.20	2.21	12.67	2.25	13.14	2.29		
							16	10.66	2.13	11.10	2.18	11.55	2.22	11.78	2.24	12.01	2.26	12.48	2.30	12.95	2.35		
							18	10.47	2.19	10.91	2.23	11.36	2.27	11.59	2.30	11.82	2.32	12.29	2.36	12.76	2.40		
							20	10.27	2.25	10.72	2.29	11.17	2.33	11.40	2.35	11.63	2.38	12.10	2.42	12.57	2.46		
							21	10.18	2.27	10.62	2.32	11.08	2.36	11.30	2.38	11.54	2.40	12.00	2.45	12.47	2.49		
							23	9.98	2.33	10.43	2.38	10.88	2.42	11.11	2.44	11.35	2.46	11.81	2.51	12.29	2.55		
							25	9.79	2.39	10.24	2.44	10.69	2.48	10.92	2.50	11.16	2.52	11.62	2.57	12.10	2.61		
							27	9.60	2.45	10.05	2.50	10.50	2.54	10.73	2.56	10.97	2.58	11.44	2.63	11.91	2.67		
							29	9.41	2.51	9.86	2.56	10.32	2.60	10.55	2.62	10.78	2.65	11.25	2.69	11.72	2.74		
							31	9.22	2.57	9.67	2.62	10.13	2.66	10.36	2.69	10.59	2.71	11.06	2.75	11.54	2.80		
							33	9.03	2.64	9.48	2.68	9.94	2.73	10.17	2.75	10.40	2.77	10.87	2.82	11.35	2.86		
							35	8.84	2.70	9.29	2.75	9.75	2.79	10.00	2.81	10.22	2.84	10.69	2.88	11.17	2.93		
							37	8.65	2.77	9.10	2.81	9.56	2.86	9.79	2.88	10.03	2.90	10.50	2.95	10.98	3.00		
							39	8.46	2.83	8.92	2.88	9.38	2.93	9.61	2.95	9.84	2.97	10.32	3.02	10.80	3.06		
42	8.18	2.93	8.63	2.98	9.10	3.03	9.33	3.05	9.56	3.07	10.04	3.12	10.52	3.17									
44	7.99	3.00	8.45	3.05	8.91	3.10	9.14	3.12	9.38	3.14	9.86	3.19	10.34	3.24									
46	7.80	3.07	8.26	3.12	8.73	3.17	8.96	3.19	9.20	3.21	9.67	3.26	10.16	3.31									
2000	2000	2000	2000	6800	14800	148%	10	11.24	1.99	11.69	2.03	12.13	2.07	12.36	2.09	12.59	2.11	13.05	2.15	13.52	2.20		
							12	11.05	2.04	11.49	2.08	11.94	2.12	12.17	2.15	12.40	2.17	12.86	2.21	13.33	2.25		
							14	10.85	2.09	11.30	2.14	11.75	2.18	11.97	2.20	12.20	2.22	12.67	2.26	13.14	2.31		
							16	10.66	2.15	11.10	2.19	11.55	2.23	11.78	2.26	12.01	2.28	12.48	2.32	12.95	2.36		
							18	10.47	2.20	10.91	2.25	11.36	2.29	11.59	2.31	11.82	2.33	12.29	2.38	12.76	2.42		
							20	10.27	2.26	10.72	2.31	11.17	2.35	11.40	2.37	11.63	2.39	12.10	2.44	12.57	2.48		
							21	10.18	2.29	10.62	2.33	11.08	2.38	11.30	2.40	11.54	2.42	12.00	2.47	12.47	2.51		
							23	9.98	2.35	10.43	2.39	10.88	2.44	11.11	2.46	11.35	2.48	11.81	2.53	12.29	2.57		
							25	9.79	2.41	10.24	2.45	10.69	2.50	10.92	2.52	11.16	2.54	11.62	2.59	12.10	2.63		
							27	9.60	2.47	10.05	2.51	10.50	2.56	10.73	2.58	10.97	2.60	11.44	2.65	11.91	2.69		
							29	9.41	2.53	9.86	2.58	10.32	2.62	10.55	2.64	10.78	2.67	11.25	2.71	11.72	2.76		
							31	9.22	2.59	9.67	2.64	10.13	2.68	10.36	2.71	10.59	2.73	11.06	2.77	11.54	2.82		
							33	9.03	2.66	9.48	2.70	9.94	2.75	10.17	2.77	10.40	2.79	10.87	2.84	11.35	2.88		
							35	8.84	2.72	9.29	2.77	9.75	2.81	10.00	2.83	10.22	2.86	10.69	2.90	11.17	2.95		
							37	8.65	2.79	9.10	2.83	9.56	2.88	9.79	2.90	10.03	2.93	10.50	2.97	10.98	3.02		
							39	8.46	2.85	8.92	2.90	9.38	2.95	9.61	2.97	9.84	2.99	10.32	3.04	10.80	3.09		
42	8.18	2.96	8.63	3.00	9.10	3.05	9.33	3.07	9.56	3.10	10.04	3.14	10.52	3.19									
44	7.99	3.02	8.45	3.07	8.91	3.12	9.14	3.14	9.38	3.17	9.86	3.21	10.34	3.26									
46	7.80	3.09	8.26	3.14	8.73	3.19	8.96	3.21	9.20	3.24	9.67	3.28	10.16	3.33									

12. Capacity Table

Combination (Capacity Index)					Combination (Total)	Combination (%)	Outdoor Temperature (°C, DB)	Indoor Temperature(°C, WB)													
								14		16		18		19		20		22		24	
								TC(kW)	PI(kW)	TC(kW)	PI(kW)	TC(kW)	PI(kW)	TC(kW)	PI(kW)	TC(kW)	PI(kW)	TC(kW)	PI(kW)	TC(kW)	PI(kW)
2000	2000	2000	2500	2500	11000	110%	10	8.49	1.90	11.98	1.94	12.21	1.99	12.34	2.01	12.49	2.04	12.84	2.08	13.26	2.12
							12	8.49	1.94	11.65	1.99	11.90	2.04	12.04	2.06	12.20	2.08	12.57	2.13	13.00	2.17
							14	8.49	1.99	11.34	2.04	11.60	2.09	11.75	2.11	11.92	2.13	12.31	2.17	12.75	2.22
							16	8.49	2.04	11.04	2.09	11.32	2.14	11.48	2.16	11.66	2.18	12.06	2.22	12.52	2.27
							18	8.49	2.10	10.76	2.14	11.05	2.19	11.22	2.21	11.40	2.23	11.82	2.28	12.30	2.32
							20	8.49	2.15	10.48	2.20	10.79	2.24	10.97	2.26	11.16	2.29	11.60	2.33	12.09	2.37
							21	8.49	2.18	10.35	2.22	10.67	2.27	10.85	2.29	11.05	2.31	11.49	2.35	11.99	2.40
							23	8.49	2.23	10.10	2.28	10.43	2.32	10.62	2.35	10.83	2.37	11.29	2.41	11.81	2.45
							25	8.49	2.29	9.86	2.34	10.21	2.38	10.41	2.40	10.62	2.42	11.10	2.47	11.63	2.51
							27	8.49	2.35	9.64	2.39	10.00	2.44	10.21	2.46	10.43	2.48	10.92	2.52	11.47	2.56
							29	8.49	2.41	9.42	2.45	9.81	2.50	10.02	2.52	10.25	2.54	10.76	2.58	11.33	2.62
							31	8.49	2.47	9.22	2.51	9.62	2.56	9.85	2.58	10.09	2.60	10.61	2.64	11.20	2.68
							33	8.49	2.53	9.04	2.58	9.46	2.62	9.69	2.64	9.93	2.66	10.47	2.71	11.08	2.74
							35	8.49	2.60	8.87	2.64	9.30	2.69	9.61	2.70	9.79	2.73	10.35	2.77	10.97	2.81
							37	8.49	2.66	8.71	2.71	9.16	2.75	9.41	2.77	9.67	2.79	10.24	2.83	10.88	2.87
							39	8.49	2.73	8.56	2.77	9.03	2.82	9.28	2.84	9.56	2.86	10.15	2.90	10.80	2.94
42	8.49	2.83	8.37	2.88	8.86	2.92	9.13	2.94	9.41	2.96	10.03	3.00	10.70	3.04							
44	8.49	2.90	8.26	2.95	8.76	2.99	9.04	3.01	9.33	3.03	9.97	3.07	10.66	3.11							
46	8.49	2.97	8.16	3.02	8.68	3.06	8.97	3.08	9.27	3.10	9.92	3.14	10.63	3.18							
2000	2000	2000	2500	3500	12000	120%	10	8.58	1.93	12.10	1.98	12.33	2.03	12.47	2.05	12.62	2.07	12.98	2.12	13.39	2.16
							12	8.58	1.98	11.78	2.03	12.02	2.08	12.17	2.10	12.33	2.12	12.70	2.17	13.13	2.21
							14	8.58	2.03	11.46	2.08	11.72	2.13	11.88	2.15	12.05	2.17	12.43	2.21	12.88	2.26
							16	8.58	2.08	11.16	2.13	11.44	2.18	11.60	2.20	11.78	2.22	12.18	2.27	12.65	2.31
							18	8.58	2.13	10.87	2.18	11.16	2.23	11.34	2.25	11.52	2.27	11.94	2.32	12.42	2.36
							20	8.58	2.19	10.59	2.24	10.91	2.28	11.09	2.31	11.28	2.33	11.72	2.37	12.22	2.41
							21	8.58	2.22	10.46	2.26	10.78	2.31	10.97	2.33	11.16	2.36	11.61	2.40	12.12	2.44
							23	8.58	2.27	10.21	2.32	10.54	2.37	10.74	2.39	10.94	2.41	11.41	2.45	11.93	2.50
							25	8.58	2.33	9.96	2.38	10.32	2.42	10.52	2.45	10.73	2.47	11.21	2.51	11.75	2.55
							27	8.58	2.39	9.74	2.44	10.11	2.48	10.32	2.51	10.54	2.53	11.04	2.57	11.59	2.61
							29	8.58	2.45	9.52	2.50	9.91	2.54	10.13	2.57	10.36	2.59	10.87	2.63	11.45	2.67
							31	8.58	2.51	9.32	2.56	9.72	2.61	9.95	2.63	10.19	2.65	10.72	2.69	11.31	2.73
							33	8.58	2.58	9.13	2.62	9.55	2.67	9.79	2.69	10.04	2.71	10.58	2.76	11.19	2.80
							35	8.58	2.64	8.96	2.69	9.40	2.73	9.71	2.75	9.90	2.78	10.46	2.82	11.08	2.86
							37	8.58	2.71	8.80	2.76	9.25	2.80	9.50	2.82	9.77	2.84	10.35	2.89	10.99	2.93
							39	8.58	2.78	8.65	2.82	9.12	2.87	9.38	2.89	9.66	2.91	10.25	2.95	10.91	2.99
42	8.58	2.88	8.45	2.93	8.95	2.97	9.22	3.00	9.51	3.02	10.13	3.06	10.82	3.10							
44	8.58	2.96	8.34	3.00	8.86	3.05	9.14	3.07	9.43	3.09	10.07	3.13	10.77	3.17							
46	8.58	3.03	8.24	3.07	8.77	3.12	9.06	3.14	9.36	3.16	10.02	3.20	10.74	3.24							

12. Capacity Table

Combination (Capacity Index)					Combination (Total)	Combination (%)	Outdoor Temperature (°C,DB)	Indoor Temperature(°C, WB)													
								14		16		18		19		20		22		24	
								TC(kW)	PI(kW)	TC(kW)	PI(kW)	TC(kW)	PI(kW)	TC(kW)	PI(kW)	TC(kW)	PI(kW)	TC(kW)	PI(kW)	TC(kW)	PI(kW)
2000	2000	2000	2500	5000	13500	135%	10	11.24	2.01	11.69	2.05	12.13	2.09	12.36	2.11	12.59	2.14	13.05	2.18	13.52	2.22
							12	11.05	2.06	11.49	2.10	11.94	2.15	12.17	2.17	12.40	2.19	12.86	2.23	13.33	2.28
							14	10.85	2.12	11.30	2.16	11.75	2.20	11.97	2.22	12.20	2.25	12.67	2.29	13.14	2.33
							16	10.66	2.17	11.10	2.21	11.55	2.26	11.78	2.28	12.01	2.30	12.48	2.35	12.95	2.39
							18	10.47	2.23	10.91	2.27	11.36	2.32	11.59	2.34	11.82	2.36	12.29	2.40	12.76	2.45
							20	10.27	2.29	10.72	2.33	11.17	2.37	11.40	2.40	11.63	2.42	12.10	2.46	12.57	2.51
							21	10.18	2.31	10.62	2.36	11.08	2.40	11.30	2.43	11.54	2.45	12.00	2.49	12.47	2.54
							23	9.98	2.37	10.43	2.42	10.88	2.46	11.11	2.49	11.35	2.51	11.81	2.55	12.29	2.60
							25	9.79	2.43	10.24	2.48	10.69	2.52	10.92	2.55	11.16	2.57	11.62	2.61	12.10	2.66
							27	9.60	2.50	10.05	2.54	10.50	2.59	10.73	2.61	10.97	2.63	11.44	2.68	11.91	2.72
							29	9.41	2.56	9.86	2.60	10.32	2.65	10.55	2.67	10.78	2.69	11.25	2.74	11.72	2.79
							31	9.22	2.62	9.67	2.67	10.13	2.71	10.36	2.74	10.59	2.76	11.06	2.80	11.54	2.85
							33	9.03	2.69	9.48	2.73	9.94	2.78	10.17	2.80	10.40	2.82	10.87	2.87	11.35	2.92
							35	8.84	2.75	9.29	2.80	9.75	2.84	10.00	2.86	10.22	2.89	10.69	2.94	11.17	2.98
							37	8.65	2.82	9.10	2.86	9.56	2.91	9.79	2.93	10.03	2.96	10.50	3.00	10.98	3.05
							39	8.46	2.88	8.92	2.93	9.38	2.98	9.61	3.00	9.84	3.02	10.32	3.07	10.80	3.12
							42	8.18	2.99	8.63	3.03	9.10	3.08	9.33	3.10	9.56	3.13	10.04	3.18	10.52	3.22
44	7.99	3.06	8.45	3.10	8.91	3.15	9.14	3.18	9.38	3.20	9.86	3.25	10.34	3.29							
46	7.80	3.13	8.26	3.17	8.73	3.22	8.96	3.25	9.20	3.27	9.67	3.32	10.16	3.37							
2000	2000	2000	2500	6800	15300	153%	10	11.24	1.99	11.69	2.03	12.13	2.07	12.36	2.09	12.59	2.11	13.05	2.15	13.52	2.20
							12	11.05	2.04	11.49	2.08	11.94	2.12	12.17	2.15	12.40	2.17	12.86	2.21	13.33	2.25
							14	10.85	2.09	11.30	2.14	11.75	2.18	11.97	2.20	12.20	2.22	12.67	2.26	13.14	2.31
							16	10.66	2.15	11.10	2.19	11.55	2.23	11.78	2.26	12.01	2.28	12.48	2.32	12.95	2.36
							18	10.47	2.20	10.91	2.25	11.36	2.29	11.59	2.31	11.82	2.33	12.29	2.38	12.76	2.42
							20	10.27	2.26	10.72	2.31	11.17	2.35	11.40	2.37	11.63	2.39	12.10	2.44	12.57	2.48
							21	10.18	2.29	10.62	2.33	11.08	2.38	11.30	2.40	11.54	2.42	12.00	2.47	12.47	2.51
							23	9.98	2.35	10.43	2.39	10.88	2.44	11.11	2.46	11.35	2.48	11.81	2.53	12.29	2.57
							25	9.79	2.41	10.24	2.45	10.69	2.50	10.92	2.52	11.16	2.54	11.62	2.59	12.10	2.63
							27	9.60	2.47	10.05	2.51	10.50	2.56	10.73	2.58	10.97	2.60	11.44	2.65	11.91	2.69
							29	9.41	2.53	9.86	2.58	10.32	2.62	10.55	2.64	10.78	2.67	11.25	2.71	11.72	2.76
							31	9.22	2.59	9.67	2.64	10.13	2.68	10.36	2.71	10.59	2.73	11.06	2.77	11.54	2.82
							33	9.03	2.66	9.48	2.70	9.94	2.75	10.17	2.77	10.40	2.79	10.87	2.84	11.35	2.88
							35	8.84	2.72	9.29	2.77	9.75	2.81	10.00	2.83	10.22	2.86	10.69	2.90	11.17	2.95
							37	8.65	2.79	9.10	2.83	9.56	2.88	9.79	2.90	10.03	2.93	10.50	2.97	10.98	3.02
							39	8.46	2.85	8.92	2.90	9.38	2.95	9.61	2.97	9.84	2.99	10.32	3.04	10.80	3.09
							42	8.18	2.96	8.63	3.00	9.10	3.05	9.33	3.07	9.56	3.10	10.04	3.14	10.52	3.19
44	7.99	3.02	8.45	3.07	8.91	3.12	9.14	3.14	9.38	3.17	9.86	3.21	10.34	3.26							
46	7.80	3.09	8.26	3.14	8.73	3.19	8.96	3.21	9.20	3.24	9.67	3.28	10.16	3.33							

12. Capacity Table

Combination (Capacity Index)					Combination (Total)	Combination (%)	Outdoor Temperature (°C, DB)	Indoor Temperature(°C, WB)													
								14		16		18		19		20		22		24	
								TC(kW)	PI(kW)	TC(kW)	PI(kW)	TC(kW)	PI(kW)	TC(kW)	PI(kW)	TC(kW)	PI(kW)	TC(kW)	PI(kW)	TC(kW)	PI(kW)
2000	2000	2000	3500	3500	13000	130%	10	11.24	1.96	11.69	2.01	12.13	2.05	12.36	2.07	12.59	2.09	13.05	2.13	13.52	2.17
							12	11.05	2.02	11.49	2.06	11.94	2.10	12.17	2.12	12.40	2.14	12.86	2.19	13.33	2.23
							14	10.85	2.07	11.30	2.11	11.75	2.16	11.97	2.18	12.20	2.20	12.67	2.24	13.14	2.28
							16	10.66	2.13	11.10	2.17	11.55	2.21	11.78	2.23	12.01	2.25	12.48	2.30	12.95	2.34
							18	10.47	2.18	10.91	2.22	11.36	2.27	11.59	2.29	11.82	2.31	12.29	2.35	12.76	2.40
							20	10.27	2.24	10.72	2.28	11.17	2.32	11.40	2.35	11.63	2.37	12.10	2.41	12.57	2.45
							21	10.18	2.27	10.62	2.31	11.08	2.35	11.30	2.37	11.54	2.40	12.00	2.44	12.47	2.48
							23	9.98	2.32	10.43	2.37	10.88	2.41	11.11	2.43	11.35	2.46	11.81	2.50	12.29	2.54
							25	9.79	2.38	10.24	2.43	10.69	2.47	10.92	2.49	11.16	2.51	11.62	2.56	12.10	2.60
							27	9.60	2.44	10.05	2.49	10.50	2.53	10.73	2.55	10.97	2.58	11.44	2.62	11.91	2.66
							29	9.41	2.50	9.86	2.55	10.32	2.59	10.55	2.62	10.78	2.64	11.25	2.68	11.72	2.73
							31	9.22	2.57	9.67	2.61	10.13	2.66	10.36	2.68	10.59	2.70	11.06	2.75	11.54	2.79
							33	9.03	2.63	9.48	2.67	9.94	2.72	10.17	2.74	10.40	2.76	10.87	2.81	11.35	2.85
							35	8.84	2.69	9.29	2.74	9.75	2.78	10.00	2.80	10.22	2.83	10.69	2.87	11.17	2.92
							37	8.65	2.76	9.10	2.80	9.56	2.85	9.79	2.87	10.03	2.89	10.50	2.94	10.98	2.99
							39	8.46	2.82	8.92	2.87	9.38	2.92	9.61	2.94	9.84	2.96	10.32	3.01	10.80	3.05
42	8.18	2.92	8.63	2.97	9.10	3.02	9.33	3.04	9.56	3.06	10.04	3.11	10.52	3.16							
44	7.99	2.99	8.45	3.04	8.91	3.09	9.14	3.11	9.38	3.13	9.86	3.18	10.34	3.23							
46	7.80	3.06	8.26	3.11	8.73	3.16	8.96	3.18	9.20	3.20	9.67	3.25	10.16	3.30							
2000	2000	2000	3500	5000	14500	145%	10	11.24	1.98	11.69	2.02	12.13	2.06	12.36	2.08	12.59	2.11	13.05	2.15	13.52	2.19
							12	11.05	2.03	11.49	2.07	11.94	2.12	12.17	2.14	12.40	2.16	12.86	2.20	13.33	2.24
							14	10.85	2.09	11.30	2.13	11.75	2.17	11.97	2.19	12.20	2.21	12.67	2.26	13.14	2.30
							16	10.66	2.14	11.10	2.18	11.55	2.23	11.78	2.25	12.01	2.27	12.48	2.31	12.95	2.36
							18	10.47	2.20	10.91	2.24	11.36	2.28	11.59	2.30	11.82	2.33	12.29	2.37	12.76	2.41
							20	10.27	2.25	10.72	2.30	11.17	2.34	11.40	2.36	11.63	2.38	12.10	2.43	12.57	2.47
							21	10.18	2.28	10.62	2.33	11.08	2.37	11.30	2.39	11.54	2.41	12.00	2.46	12.47	2.50
							23	9.98	2.34	10.43	2.38	10.88	2.43	11.11	2.45	11.35	2.47	11.81	2.52	12.29	2.56
							25	9.79	2.40	10.24	2.44	10.69	2.49	10.92	2.51	11.16	2.53	11.62	2.58	12.10	2.62
							27	9.60	2.46	10.05	2.50	10.50	2.55	10.73	2.57	10.97	2.59	11.44	2.64	11.91	2.68
							29	9.41	2.52	9.86	2.57	10.32	2.61	10.55	2.63	10.78	2.66	11.25	2.70	11.72	2.75
							31	9.22	2.58	9.67	2.63	10.13	2.67	10.36	2.70	10.59	2.72	11.06	2.76	11.54	2.81
							33	9.03	2.65	9.48	2.69	9.94	2.74	10.17	2.76	10.40	2.78	10.87	2.83	11.35	2.87
							35	8.84	2.71	9.29	2.76	9.75	2.80	10.00	2.82	10.22	2.85	10.69	2.89	11.17	2.94
							37	8.65	2.78	9.10	2.82	9.56	2.87	9.79	2.89	10.03	2.92	10.50	2.96	10.98	3.01
							39	8.46	2.84	8.92	2.89	9.38	2.94	9.61	2.96	9.84	2.98	10.32	3.03	10.80	3.07
42	8.18	2.94	8.63	2.99	9.10	3.04	9.33	3.06	9.56	3.08	10.04	3.13	10.52	3.18							
44	7.99	3.01	8.45	3.06	8.91	3.11	9.14	3.13	9.38	3.15	9.86	3.20	10.34	3.25							
46	7.80	3.08	8.26	3.13	8.73	3.18	8.96	3.20	9.20	3.22	9.67	3.27	10.16	3.32							

12. Capacity Table

Combination (Capacity Index)					Combination (Total)	Combination (%)	Outdoor Temperature (°C,DB)	Indoor Temperature(°C, WB)															
								14		16		18		19		20		22		24			
								TC(kW)	PI(kW)	TC(kW)	PI(kW)	TC(kW)	PI(kW)	TC(kW)	PI(kW)	TC(kW)	PI(kW)	TC(kW)	PI(kW)	TC(kW)	PI(kW)		
2000	2000	2000	3500	6800	16300	163%	10	11.24	2.02	11.69	2.06	12.13	2.11	12.36	2.13	12.59	2.15	13.05	2.19	13.52	2.24		
							12	11.05	2.07	11.49	2.12	11.94	2.16	12.17	2.18	12.40	2.20	12.86	2.25	13.33	2.29		
							14	10.85	2.13	11.30	2.17	11.75	2.22	11.97	2.24	12.20	2.26	12.67	2.30	13.14	2.35		
							16	10.66	2.19	11.10	2.23	11.55	2.27	11.78	2.30	12.01	2.32	12.48	2.36	12.95	2.41		
							18	10.47	2.24	10.91	2.29	11.36	2.33	11.59	2.35	11.82	2.38	12.29	2.42	12.76	2.46		
							20	10.27	2.30	10.72	2.35	11.17	2.39	11.40	2.41	11.63	2.43	12.10	2.48	12.57	2.52		
							21	10.18	2.33	10.62	2.38	11.08	2.42	11.30	2.44	11.54	2.46	12.00	2.51	12.47	2.55		
							23	9.98	2.39	10.43	2.44	10.88	2.48	11.11	2.50	11.35	2.53	11.81	2.57	12.29	2.62		
							25	9.79	2.45	10.24	2.50	10.69	2.54	10.92	2.56	11.16	2.59	11.62	2.63	12.10	2.68		
							27	9.60	2.51	10.05	2.56	10.50	2.60	10.73	2.63	10.97	2.65	11.44	2.69	11.91	2.74		
							29	9.41	2.58	9.86	2.62	10.32	2.67	10.55	2.69	10.78	2.71	11.25	2.76	11.72	2.80		
							31	9.22	2.64	9.67	2.69	10.13	2.73	10.36	2.75	10.59	2.78	11.06	2.82	11.54	2.87		
							33	9.03	2.70	9.48	2.75	9.94	2.80	10.17	2.82	10.40	2.84	10.87	2.89	11.35	2.94		
							35	8.84	2.77	9.29	2.82	9.75	2.86	10.00	2.88	10.22	2.91	10.69	2.96	11.17	3.00		
							37	8.65	2.84	9.10	2.88	9.56	2.93	9.79	2.95	10.03	2.98	10.50	3.02	10.98	3.07		
							39	8.46	2.90	8.92	2.95	9.38	3.00	9.61	3.02	9.84	3.05	10.32	3.09	10.80	3.14		
42	8.18	3.01	8.63	3.06	9.10	3.10	9.33	3.13	9.56	3.15	10.04	3.20	10.52	3.25									
44	7.99	3.08	8.45	3.13	8.91	3.17	9.14	3.20	9.38	3.22	9.86	3.27	10.34	3.32									
46	7.80	3.15	8.26	3.20	8.73	3.25	8.96	3.27	9.20	3.29	9.67	3.34	10.16	3.39									
2000	2000	2000	5000	5000	16000	160%	10	11.24	2.02	11.69	2.06	12.13	2.11	12.36	2.13	12.59	2.15	13.05	2.19	13.52	2.24		
							12	11.05	2.07	11.49	2.12	11.94	2.16	12.17	2.18	12.40	2.20	12.86	2.25	13.33	2.29		
							14	10.85	2.13	11.30	2.17	11.75	2.22	11.97	2.24	12.20	2.26	12.67	2.30	13.14	2.35		
							16	10.66	2.19	11.10	2.23	11.55	2.27	11.78	2.30	12.01	2.32	12.48	2.36	12.95	2.41		
							18	10.47	2.24	10.91	2.29	11.36	2.33	11.59	2.35	11.82	2.38	12.29	2.42	12.76	2.46		
							20	10.27	2.30	10.72	2.35	11.17	2.39	11.40	2.41	11.63	2.43	12.10	2.48	12.57	2.52		
							21	10.18	2.33	10.62	2.38	11.08	2.42	11.30	2.44	11.54	2.46	12.00	2.51	12.47	2.55		
							23	9.98	2.39	10.43	2.44	10.88	2.48	11.11	2.50	11.35	2.53	11.81	2.57	12.29	2.62		
							25	9.79	2.45	10.24	2.50	10.69	2.54	10.92	2.56	11.16	2.59	11.62	2.63	12.10	2.68		
							27	9.60	2.51	10.05	2.56	10.50	2.60	10.73	2.63	10.97	2.65	11.44	2.69	11.91	2.74		
							29	9.41	2.58	9.86	2.62	10.32	2.67	10.55	2.69	10.78	2.71	11.25	2.76	11.72	2.80		
							31	9.22	2.64	9.67	2.69	10.13	2.73	10.36	2.75	10.59	2.78	11.06	2.82	11.54	2.87		
							33	9.03	2.70	9.48	2.75	9.94	2.80	10.17	2.82	10.40	2.84	10.87	2.89	11.35	2.94		
							35	8.84	2.77	9.29	2.82	9.75	2.86	10.00	2.88	10.22	2.91	10.69	2.96	11.17	3.00		
							37	8.65	2.84	9.10	2.88	9.56	2.93	9.79	2.95	10.03	2.98	10.50	3.02	10.98	3.07		
							39	8.46	2.90	8.92	2.95	9.38	3.00	9.61	3.02	9.84	3.05	10.32	3.09	10.80	3.14		
42	8.18	3.01	8.63	3.06	9.10	3.10	9.33	3.13	9.56	3.15	10.04	3.20	10.52	3.25									
44	7.99	3.08	8.45	3.13	8.91	3.17	9.14	3.20	9.38	3.22	9.86	3.27	10.34	3.32									
46	7.80	3.15	8.26	3.20	8.73	3.25	8.96	3.27	9.20	3.29	9.67	3.34	10.16	3.39									

12. Capacity Table

Combination (Capacity Index)					Combination (Total)	Combination (%)	Outdoor Temperature (°C, DB)	Indoor Temperature(°C, WB)													
								14		16		18		19		20		22		24	
								TC(kW)	PI(kW)	TC(kW)	PI(kW)	TC(kW)	PI(kW)	TC(kW)	PI(kW)	TC(kW)	PI(kW)	TC(kW)	PI(kW)	TC(kW)	PI(kW)
2000	2000	2500	2500	2500	11500	115%	10	8.54	1.92	12.04	1.97	12.27	2.02	12.41	2.04	12.56	2.07	12.91	2.11	13.32	2.15
							12	8.54	1.97	11.71	2.02	11.96	2.07	12.10	2.09	12.27	2.11	12.63	2.16	13.06	2.20
							14	8.54	2.02	11.40	2.07	11.66	2.12	11.82	2.14	11.98	2.16	12.37	2.21	12.82	2.25
							16	8.54	2.07	11.10	2.12	11.38	2.17	11.54	2.19	11.72	2.21	12.12	2.26	12.58	2.30
							18	8.54	2.13	10.81	2.17	11.11	2.22	11.28	2.24	11.46	2.27	11.88	2.31	12.36	2.35
							20	8.54	2.18	10.54	2.23	10.85	2.28	11.03	2.30	11.22	2.32	11.66	2.36	12.15	2.40
							21	8.54	2.21	10.41	2.26	10.73	2.30	10.91	2.32	11.11	2.35	11.55	2.39	12.05	2.43
							23	8.54	2.27	10.15	2.31	10.49	2.36	10.68	2.38	10.89	2.40	11.35	2.45	11.87	2.49
							25	8.54	2.32	9.91	2.37	10.27	2.42	10.46	2.44	10.68	2.46	11.16	2.50	11.69	2.54
							27	8.54	2.38	9.69	2.43	10.05	2.47	10.26	2.50	10.49	2.52	10.98	2.56	11.53	2.60
							29	8.54	2.44	9.47	2.49	9.86	2.54	10.07	2.56	10.31	2.58	10.82	2.62	11.39	2.66
							31	8.54	2.51	9.27	2.55	9.67	2.60	9.90	2.62	10.14	2.64	10.67	2.68	11.25	2.72
							33	8.54	2.57	9.08	2.62	9.50	2.66	9.74	2.68	9.99	2.70	10.53	2.75	11.13	2.79
							35	8.54	2.63	8.91	2.68	9.35	2.72	9.66	2.74	9.85	2.77	10.41	2.81	11.03	2.85
							37	8.54	2.70	8.75	2.75	9.20	2.79	9.45	2.81	9.72	2.83	10.30	2.88	10.93	2.91
							39	8.54	2.77	8.61	2.81	9.08	2.86	9.33	2.88	9.61	2.90	10.20	2.94	10.85	2.98
42	8.54	2.87	8.41	2.92	8.91	2.96	9.18	2.98	9.46	3.01	10.08	3.05	10.76	3.09							
44	8.54	2.94	8.30	2.99	8.81	3.03	9.09	3.06	9.38	3.08	10.02	3.12	10.71	3.16							
46	8.54	3.02	8.20	3.06	8.73	3.11	9.01	3.13	9.32	3.15	9.97	3.19	10.68	3.23							
2000	2000	2500	2500	3500	12500	125%	10	8.84	1.97	12.47	2.02	12.70	2.06	12.84	2.09	13.00	2.11	13.37	2.16	13.79	2.20
							12	8.84	2.02	12.13	2.07	12.38	2.11	12.53	2.14	12.70	2.16	13.08	2.20	13.52	2.25
							14	8.84	2.07	11.80	2.12	12.07	2.16	12.23	2.19	12.41	2.21	12.80	2.25	13.27	2.30
							16	8.84	2.12	11.49	2.17	11.78	2.22	11.95	2.24	12.13	2.26	12.54	2.31	13.02	2.35
							18	8.84	2.17	11.19	2.22	11.50	2.27	11.67	2.29	11.87	2.32	12.30	2.36	12.80	2.40
							20	8.84	2.23	10.91	2.28	11.23	2.32	11.42	2.35	11.62	2.37	12.07	2.41	12.58	2.46
							21	8.84	2.26	10.77	2.31	11.10	2.35	11.29	2.38	11.50	2.40	11.96	2.44	12.48	2.48
							23	8.84	2.31	10.51	2.36	10.86	2.41	11.06	2.43	11.27	2.46	11.75	2.50	12.29	2.54
							25	8.84	2.37	10.26	2.42	10.63	2.47	10.83	2.49	11.06	2.51	11.55	2.56	12.11	2.60
							27	8.84	2.43	10.03	2.48	10.41	2.53	10.62	2.55	10.86	2.57	11.37	2.62	11.94	2.66
							29	8.84	2.50	9.81	2.54	10.20	2.59	10.43	2.61	10.67	2.64	11.20	2.68	11.79	2.72
							31	8.84	2.56	9.60	2.61	10.02	2.65	10.25	2.68	10.50	2.70	11.04	2.74	11.65	2.78
							33	8.84	2.62	9.40	2.67	9.84	2.72	10.08	2.74	10.34	2.76	10.90	2.81	11.53	2.85
							35	8.84	2.69	9.23	2.74	9.68	2.78	10.00	2.80	10.19	2.83	10.77	2.87	11.41	2.91
							37	8.84	2.76	9.06	2.81	9.53	2.85	9.79	2.87	10.06	2.90	10.66	2.94	11.32	2.98
							39	8.84	2.83	8.91	2.88	9.39	2.92	9.66	2.94	9.94	2.96	10.56	3.01	11.24	3.05
42	8.84	2.94	8.71	2.98	9.22	3.03	9.50	3.05	9.80	3.07	10.43	3.11	11.14	3.15							
44	8.84	3.01	8.59	3.06	9.12	3.10	9.41	3.12	9.71	3.14	10.37	3.19	11.09	3.23							
46	8.84	3.08	8.49	3.13	9.03	3.17	9.33	3.20	9.64	3.22	10.32	3.26	11.06	3.30							

12. Capacity Table

Combination (Capacity Index)					Combination (Total)	Combination (%)	Outdoor Temperature (°C, DB)	Indoor Temperature(°C, WB)															
								14		16		18		19		20		22		24			
								TC(kW)	PI(kW)	TC(kW)	PI(kW)	TC(kW)	PI(kW)	TC(kW)	PI(kW)	TC(kW)	PI(kW)	TC(kW)	PI(kW)	TC(kW)	PI(kW)		
2000	2000	2500	2500	5000	14000	140%	10	11.24	2.01	11.69	2.05	12.13	2.09	12.36	2.11	12.59	2.14	13.05	2.18	13.52	2.22		
							12	11.05	2.06	11.49	2.10	11.94	2.15	12.17	2.17	12.40	2.19	12.86	2.23	13.33	2.28		
							14	10.85	2.12	11.30	2.16	11.75	2.20	11.97	2.22	12.20	2.25	12.67	2.29	13.14	2.33		
							16	10.66	2.17	11.10	2.21	11.55	2.26	11.78	2.28	12.01	2.30	12.48	2.35	12.95	2.39		
							18	10.47	2.23	10.91	2.27	11.36	2.32	11.59	2.34	11.82	2.36	12.29	2.40	12.76	2.45		
							20	10.27	2.29	10.72	2.33	11.17	2.37	11.40	2.40	11.63	2.42	12.10	2.46	12.57	2.51		
							21	10.18	2.31	10.62	2.36	11.08	2.40	11.30	2.43	11.54	2.45	12.00	2.49	12.47	2.54		
							23	9.98	2.37	10.43	2.42	10.88	2.46	11.11	2.49	11.35	2.51	11.81	2.55	12.29	2.60		
							25	9.79	2.43	10.24	2.48	10.69	2.52	10.92	2.55	11.16	2.57	11.62	2.61	12.10	2.66		
							27	9.60	2.50	10.05	2.54	10.50	2.59	10.73	2.61	10.97	2.63	11.44	2.68	11.91	2.72		
							29	9.41	2.56	9.86	2.60	10.32	2.65	10.55	2.67	10.78	2.69	11.25	2.74	11.72	2.79		
							31	9.22	2.62	9.67	2.67	10.13	2.71	10.36	2.74	10.59	2.76	11.06	2.80	11.54	2.85		
							33	9.03	2.69	9.48	2.73	9.94	2.78	10.17	2.80	10.40	2.82	10.87	2.87	11.35	2.92		
							35	8.84	2.75	9.29	2.80	9.75	2.84	10.00	2.86	10.22	2.89	10.69	2.94	11.17	2.98		
							37	8.65	2.82	9.10	2.86	9.56	2.91	9.79	2.93	10.03	2.96	10.50	3.00	10.98	3.05		
							39	8.46	2.88	8.92	2.93	9.38	2.98	9.61	3.00	9.84	3.02	10.32	3.07	10.80	3.12		
42	8.18	2.99	8.63	3.03	9.10	3.08	9.33	3.10	9.56	3.13	10.04	3.18	10.52	3.22									
44	7.99	3.06	8.45	3.10	8.91	3.15	9.14	3.18	9.38	3.20	9.86	3.25	10.34	3.29									
46	7.80	3.13	8.26	3.17	8.73	3.22	8.96	3.25	9.20	3.27	9.67	3.32	10.16	3.37									
2000	2000	2500	2500	6800	15800	158%	10	11.24	2.02	11.69	2.06	12.13	2.11	12.36	2.13	12.59	2.15	13.05	2.19	13.52	2.24		
							12	11.05	2.07	11.49	2.12	11.94	2.16	12.17	2.18	12.40	2.20	12.86	2.25	13.33	2.29		
							14	10.85	2.13	11.30	2.17	11.75	2.22	11.97	2.24	12.20	2.26	12.67	2.30	13.14	2.35		
							16	10.66	2.19	11.10	2.23	11.55	2.27	11.78	2.30	12.01	2.32	12.48	2.36	12.95	2.41		
							18	10.47	2.24	10.91	2.29	11.36	2.33	11.59	2.35	11.82	2.38	12.29	2.42	12.76	2.46		
							20	10.27	2.30	10.72	2.35	11.17	2.39	11.40	2.41	11.63	2.43	12.10	2.48	12.57	2.52		
							21	10.18	2.33	10.62	2.38	11.08	2.42	11.30	2.44	11.54	2.46	12.00	2.51	12.47	2.55		
							23	9.98	2.39	10.43	2.44	10.88	2.48	11.11	2.50	11.35	2.53	11.81	2.57	12.29	2.62		
							25	9.79	2.45	10.24	2.50	10.69	2.54	10.92	2.56	11.16	2.59	11.62	2.63	12.10	2.68		
							27	9.60	2.51	10.05	2.56	10.50	2.60	10.73	2.63	10.97	2.65	11.44	2.69	11.91	2.74		
							29	9.41	2.58	9.86	2.62	10.32	2.67	10.55	2.69	10.78	2.71	11.25	2.76	11.72	2.80		
							31	9.22	2.64	9.67	2.69	10.13	2.73	10.36	2.75	10.59	2.78	11.06	2.82	11.54	2.87		
							33	9.03	2.70	9.48	2.75	9.94	2.80	10.17	2.82	10.40	2.84	10.87	2.89	11.35	2.94		
							35	8.84	2.77	9.29	2.82	9.75	2.86	10.00	2.88	10.22	2.91	10.69	2.96	11.17	3.00		
							37	8.65	2.84	9.10	2.88	9.56	2.93	9.79	2.95	10.03	2.98	10.50	3.02	10.98	3.07		
							39	8.46	2.90	8.92	2.95	9.38	3.00	9.61	3.02	9.84	3.05	10.32	3.09	10.80	3.14		
42	8.18	3.01	8.63	3.06	9.10	3.10	9.33	3.13	9.56	3.15	10.04	3.20	10.52	3.25									
44	7.99	3.08	8.45	3.13	8.91	3.17	9.14	3.20	9.38	3.22	9.86	3.27	10.34	3.32									
46	7.80	3.15	8.26	3.20	8.73	3.25	8.96	3.27	9.20	3.29	9.67	3.34	10.16	3.39									

12. Capacity Table

Combination (Capacity Index)					Combination (Total)	Combination (%)	Outdoor Temperature (°C,DB)	Indoor Temperature(°C, WB)													
								14		16		18		19		20		22		24	
								TC(kW)	PI(kW)	TC(kW)	PI(kW)	TC(kW)	PI(kW)	TC(kW)	PI(kW)	TC(kW)	PI(kW)	TC(kW)	PI(kW)	TC(kW)	PI(kW)
2000	2000	2500	3500	3500	13500	135%	10	11.24	2.00	11.69	2.04	12.13	2.08	12.36	2.11	12.59	2.13	13.05	2.17	13.52	2.21
							12	11.05	2.05	11.49	2.10	11.94	2.14	12.17	2.16	12.40	2.18	12.86	2.22	13.33	2.27
							14	10.85	2.11	11.30	2.15	11.75	2.19	11.97	2.22	12.20	2.24	12.67	2.28	13.14	2.32
							16	10.66	2.16	11.10	2.21	11.55	2.25	11.78	2.27	12.01	2.29	12.48	2.34	12.95	2.38
							18	10.47	2.22	10.91	2.26	11.36	2.31	11.59	2.33	11.82	2.35	12.29	2.39	12.76	2.44
							20	10.27	2.28	10.72	2.32	11.17	2.37	11.40	2.39	11.63	2.41	12.10	2.45	12.57	2.50
							21	10.18	2.31	10.62	2.35	11.08	2.39	11.30	2.42	11.54	2.44	12.00	2.48	12.47	2.53
							23	9.98	2.37	10.43	2.41	10.88	2.45	11.11	2.48	11.35	2.50	11.81	2.54	12.29	2.59
							25	9.79	2.43	10.24	2.47	10.69	2.52	10.92	2.54	11.16	2.56	11.62	2.60	12.10	2.65
							27	9.60	2.49	10.05	2.53	10.50	2.58	10.73	2.60	10.97	2.62	11.44	2.67	11.91	2.71
							29	9.41	2.55	9.86	2.59	10.32	2.64	10.55	2.66	10.78	2.68	11.25	2.73	11.72	2.78
							31	9.22	2.61	9.67	2.66	10.13	2.70	10.36	2.73	10.59	2.75	11.06	2.79	11.54	2.84
							33	9.03	2.68	9.48	2.72	9.94	2.77	10.17	2.79	10.40	2.81	10.87	2.86	11.35	2.91
							35	8.84	2.74	9.29	2.79	9.75	2.83	10.00	2.85	10.22	2.88	10.69	2.93	11.17	2.97
							37	8.65	2.81	9.10	2.85	9.56	2.90	9.79	2.92	10.03	2.95	10.50	2.99	10.98	3.04
							39	8.46	2.87	8.92	2.92	9.38	2.97	9.61	2.99	9.84	3.01	10.32	3.06	10.80	3.11
42	8.18	2.98	8.63	3.02	9.10	3.07	9.33	3.09	9.56	3.12	10.04	3.16	10.52	3.21							
44	7.99	3.05	8.45	3.09	8.91	3.14	9.14	3.16	9.38	3.19	9.86	3.24	10.34	3.28							
46	7.80	3.12	8.26	3.16	8.73	3.21	8.96	3.24	9.20	3.26	9.67	3.31	10.16	3.35							
2000	2000	2500	3500	5000	15000	150%	10	11.24	1.98	11.69	2.02	12.13	2.06	12.36	2.08	12.59	2.11	13.05	2.15	13.52	2.19
							12	11.05	2.03	11.49	2.07	11.94	2.12	12.17	2.14	12.40	2.16	12.86	2.20	13.33	2.24
							14	10.85	2.09	11.30	2.13	11.75	2.17	11.97	2.19	12.20	2.21	12.67	2.26	13.14	2.30
							16	10.66	2.14	11.10	2.18	11.55	2.23	11.78	2.25	12.01	2.27	12.48	2.31	12.95	2.36
							18	10.47	2.20	10.91	2.24	11.36	2.28	11.59	2.30	11.82	2.33	12.29	2.37	12.76	2.41
							20	10.27	2.25	10.72	2.30	11.17	2.34	11.40	2.36	11.63	2.38	12.10	2.43	12.57	2.47
							21	10.18	2.28	10.62	2.33	11.08	2.37	11.30	2.39	11.54	2.41	12.00	2.46	12.47	2.50
							23	9.98	2.34	10.43	2.38	10.88	2.43	11.11	2.45	11.35	2.47	11.81	2.52	12.29	2.56
							25	9.79	2.40	10.24	2.44	10.69	2.49	10.92	2.51	11.16	2.53	11.62	2.58	12.10	2.62
							27	9.60	2.46	10.05	2.50	10.50	2.55	10.73	2.57	10.97	2.59	11.44	2.64	11.91	2.68
							29	9.41	2.52	9.86	2.57	10.32	2.61	10.55	2.63	10.78	2.66	11.25	2.70	11.72	2.75
							31	9.22	2.58	9.67	2.63	10.13	2.67	10.36	2.70	10.59	2.72	11.06	2.76	11.54	2.81
							33	9.03	2.65	9.48	2.69	9.94	2.74	10.17	2.76	10.40	2.78	10.87	2.83	11.35	2.87
							35	8.84	2.71	9.29	2.76	9.75	2.80	10.00	2.82	10.22	2.85	10.69	2.89	11.17	2.94
							37	8.65	2.78	9.10	2.82	9.56	2.87	9.79	2.89	10.03	2.92	10.50	2.96	10.98	3.01
							39	8.46	2.84	8.92	2.89	9.38	2.94	9.61	2.96	9.84	2.98	10.32	3.03	10.80	3.07
42	8.18	2.94	8.63	2.99	9.10	3.04	9.33	3.06	9.56	3.08	10.04	3.13	10.52	3.18							
44	7.99	3.01	8.45	3.06	8.91	3.11	9.14	3.13	9.38	3.15	9.86	3.20	10.34	3.25							
46	7.80	3.08	8.26	3.13	8.73	3.18	8.96	3.20	9.20	3.22	9.67	3.27	10.16	3.32							

12. Capacity Table

Combination (Capacity Index)					Combination (Total)	Combination (%)	Outdoor Temperature (°C,DB)	Indoor Temperature(°C, WB)													
								14		16		18		19		20		22		24	
								TC(kW)	PI(kW)	TC(kW)	PI(kW)	TC(kW)	PI(kW)	TC(kW)	PI(kW)	TC(kW)	PI(kW)	TC(kW)	PI(kW)	TC(kW)	PI(kW)
2000	2000	2500	3500	6800	16800	168%	10	11.24	2.06	11.69	2.10	12.13	2.14	12.36	2.17	12.59	2.19	13.05	2.23	13.52	2.27
							12	11.05	2.11	11.49	2.15	11.94	2.20	12.17	2.22	12.40	2.24	12.86	2.29	13.33	2.33
							14	10.85	2.17	11.30	2.21	11.75	2.26	11.97	2.28	12.20	2.30	12.67	2.34	13.14	2.39
							16	10.66	2.22	11.10	2.27	11.55	2.31	11.78	2.34	12.01	2.36	12.48	2.40	12.95	2.45
							18	10.47	2.28	10.91	2.33	11.36	2.37	11.59	2.39	11.82	2.42	12.29	2.46	12.76	2.51
							20	10.27	2.34	10.72	2.39	11.17	2.43	11.40	2.45	11.63	2.48	12.10	2.52	12.57	2.57
							21	10.18	2.37	10.62	2.42	11.08	2.46	11.30	2.48	11.54	2.51	12.00	2.55	12.47	2.60
							23	9.98	2.43	10.43	2.48	10.88	2.52	11.11	2.55	11.35	2.57	11.81	2.61	12.29	2.66
							25	9.79	2.49	10.24	2.54	10.69	2.59	10.92	2.61	11.16	2.63	11.62	2.68	12.10	2.72
							27	9.60	2.56	10.05	2.60	10.50	2.65	10.73	2.67	10.97	2.70	11.44	2.74	11.91	2.79
							29	9.41	2.62	9.86	2.67	10.32	2.71	10.55	2.74	10.78	2.76	11.25	2.81	11.72	2.85
							31	9.22	2.68	9.67	2.73	10.13	2.78	10.36	2.80	10.59	2.83	11.06	2.87	11.54	2.92
							33	9.03	2.75	9.48	2.80	9.94	2.85	10.17	2.87	10.40	2.89	10.87	2.94	11.35	2.99
							35	8.84	2.82	9.29	2.87	9.75	2.91	10.00	2.93	10.22	2.96	10.69	3.01	11.17	3.06
							37	8.65	2.89	9.10	2.93	9.56	2.98	9.79	3.00	10.03	3.03	10.50	3.08	10.98	3.12
							39	8.46	2.95	8.92	3.00	9.38	3.05	9.61	3.07	9.84	3.10	10.32	3.15	10.80	3.19
42	8.18	3.06	8.63	3.11	9.10	3.16	9.33	3.18	9.56	3.21	10.04	3.25	10.52	3.30							
44	7.99	3.13	8.45	3.18	8.91	3.23	9.14	3.25	9.38	3.28	9.86	3.33	10.34	3.37							
46	7.80	3.20	8.26	3.25	8.73	3.30	8.96	3.33	9.20	3.35	9.67	3.40	10.16	3.45							
2000	2000	2500	5000	5000	16500	165%	10	11.24	2.06	11.69	2.10	12.13	2.14	12.36	2.17	12.59	2.19	13.05	2.23	13.52	2.27
							12	11.05	2.11	11.49	2.15	11.94	2.20	12.17	2.22	12.40	2.24	12.86	2.29	13.33	2.33
							14	10.85	2.17	11.30	2.21	11.75	2.26	11.97	2.28	12.20	2.30	12.67	2.34	13.14	2.39
							16	10.66	2.22	11.10	2.27	11.55	2.31	11.78	2.34	12.01	2.36	12.48	2.40	12.95	2.45
							18	10.47	2.28	10.91	2.33	11.36	2.37	11.59	2.39	11.82	2.42	12.29	2.46	12.76	2.51
							20	10.27	2.34	10.72	2.39	11.17	2.43	11.40	2.45	11.63	2.48	12.10	2.52	12.57	2.57
							21	10.18	2.37	10.62	2.42	11.08	2.46	11.30	2.48	11.54	2.51	12.00	2.55	12.47	2.60
							23	9.98	2.43	10.43	2.48	10.88	2.52	11.11	2.55	11.35	2.57	11.81	2.61	12.29	2.66
							25	9.79	2.49	10.24	2.54	10.69	2.59	10.92	2.61	11.16	2.63	11.62	2.68	12.10	2.72
							27	9.60	2.56	10.05	2.60	10.50	2.65	10.73	2.67	10.97	2.70	11.44	2.74	11.91	2.79
							29	9.41	2.62	9.86	2.67	10.32	2.71	10.55	2.74	10.78	2.76	11.25	2.81	11.72	2.85
							31	9.22	2.68	9.67	2.73	10.13	2.78	10.36	2.80	10.59	2.83	11.06	2.87	11.54	2.92
							33	9.03	2.75	9.48	2.80	9.94	2.85	10.17	2.87	10.40	2.89	10.87	2.94	11.35	2.99
							35	8.84	2.82	9.29	2.87	9.75	2.91	10.00	2.93	10.22	2.96	10.69	3.01	11.17	3.06
							37	8.65	2.89	9.10	2.93	9.56	2.98	9.79	3.00	10.03	3.03	10.50	3.08	10.98	3.12
							39	8.46	2.95	8.92	3.00	9.38	3.05	9.61	3.07	9.84	3.10	10.32	3.15	10.80	3.19
42	8.18	3.06	8.63	3.11	9.10	3.16	9.33	3.18	9.56	3.21	10.04	3.25	10.52	3.30							
44	7.99	3.13	8.45	3.18	8.91	3.23	9.14	3.25	9.38	3.28	9.86	3.33	10.34	3.37							
46	7.80	3.20	8.26	3.25	8.73	3.30	8.96	3.33	9.20	3.35	9.67	3.40	10.16	3.45							

12. Capacity Table

Combination (Capacity Index)					Combination (Total)	Combination (%)	Outdoor Temperature (°C, DB)	Indoor Temperature(°C, WB)													
								14		16		18		19		20		22		24	
								TC(kW)	PI(kW)	TC(kW)	PI(kW)	TC(kW)	PI(kW)	TC(kW)	PI(kW)	TC(kW)	PI(kW)	TC(kW)	PI(kW)	TC(kW)	PI(kW)
2000	2000	3500	3500	3500	14500	145%	10	11.24	1.97	11.69	2.01	12.13	2.06	12.36	2.08	12.59	2.10	13.05	2.14	13.52	2.18
							12	11.05	2.02	11.49	2.07	11.94	2.11	12.17	2.13	12.40	2.15	12.86	2.19	13.33	2.24
							14	10.85	2.08	11.30	2.12	11.75	2.16	11.97	2.18	12.20	2.21	12.67	2.25	13.14	2.29
							16	10.66	2.13	11.10	2.18	11.55	2.22	11.78	2.24	12.01	2.26	12.48	2.30	12.95	2.35
							18	10.47	2.19	10.91	2.23	11.36	2.27	11.59	2.30	11.82	2.32	12.29	2.36	12.76	2.40
							20	10.27	2.25	10.72	2.29	11.17	2.33	11.40	2.35	11.63	2.38	12.10	2.42	12.57	2.46
							21	10.18	2.27	10.62	2.32	11.08	2.36	11.30	2.38	11.54	2.40	12.00	2.45	12.47	2.49
							23	9.98	2.33	10.43	2.38	10.88	2.42	11.11	2.44	11.35	2.46	11.81	2.51	12.29	2.55
							25	9.79	2.39	10.24	2.44	10.69	2.48	10.92	2.50	11.16	2.52	11.62	2.57	12.10	2.61
							27	9.60	2.45	10.05	2.50	10.50	2.54	10.73	2.56	10.97	2.58	11.44	2.63	11.91	2.67
							29	9.41	2.51	9.86	2.56	10.32	2.60	10.55	2.62	10.78	2.65	11.25	2.69	11.72	2.74
							31	9.22	2.57	9.67	2.62	10.13	2.66	10.36	2.69	10.59	2.71	11.06	2.75	11.54	2.80
							33	9.03	2.64	9.48	2.68	9.94	2.73	10.17	2.75	10.40	2.77	10.87	2.82	11.35	2.86
							35	8.84	2.70	9.29	2.75	9.75	2.79	10.00	2.81	10.22	2.84	10.69	2.88	11.17	2.93
							37	8.65	2.77	9.10	2.81	9.56	2.86	9.79	2.88	10.03	2.90	10.50	2.95	10.98	3.00
							39	8.46	2.83	8.92	2.88	9.38	2.93	9.61	2.95	9.84	2.97	10.32	3.02	10.80	3.06
42	8.18	2.93	8.63	2.98	9.10	3.03	9.33	3.05	9.56	3.07	10.04	3.12	10.52	3.17							
44	7.99	3.00	8.45	3.05	8.91	3.10	9.14	3.12	9.38	3.14	9.86	3.19	10.34	3.24							
46	7.80	3.07	8.26	3.12	8.73	3.17	8.96	3.19	9.20	3.21	9.67	3.26	10.16	3.31							
2000	2000	3500	3500	5000	16000	160%	10	11.24	2.01	11.69	2.06	12.13	2.10	12.36	2.12	12.59	2.14	13.05	2.19	13.52	2.23
							12	11.05	2.07	11.49	2.11	11.94	2.15	12.17	2.18	12.40	2.20	12.86	2.24	13.33	2.28
							14	10.85	2.12	11.30	2.17	11.75	2.21	11.97	2.23	12.20	2.25	12.67	2.30	13.14	2.34
							16	10.66	2.18	11.10	2.22	11.55	2.27	11.78	2.29	12.01	2.31	12.48	2.35	12.95	2.40
							18	10.47	2.24	10.91	2.28	11.36	2.32	11.59	2.35	11.82	2.37	12.29	2.41	12.76	2.46
							20	10.27	2.29	10.72	2.34	11.17	2.38	11.40	2.40	11.63	2.43	12.10	2.47	12.57	2.52
							21	10.18	2.32	10.62	2.37	11.08	2.41	11.30	2.43	11.54	2.46	12.00	2.50	12.47	2.55
							23	9.98	2.38	10.43	2.43	10.88	2.47	11.11	2.49	11.35	2.52	11.81	2.56	12.29	2.61
							25	9.79	2.44	10.24	2.49	10.69	2.53	10.92	2.56	11.16	2.58	11.62	2.62	12.10	2.67
							27	9.60	2.50	10.05	2.55	10.50	2.59	10.73	2.62	10.97	2.64	11.44	2.69	11.91	2.73
							29	9.41	2.57	9.86	2.61	10.32	2.66	10.55	2.68	10.78	2.70	11.25	2.75	11.72	2.79
							31	9.22	2.63	9.67	2.68	10.13	2.72	10.36	2.74	10.59	2.77	11.06	2.81	11.54	2.86
							33	9.03	2.69	9.48	2.74	9.94	2.79	10.17	2.81	10.40	2.83	10.87	2.88	11.35	2.93
							35	8.84	2.76	9.29	2.81	9.75	2.85	10.00	2.87	10.22	2.90	10.69	2.95	11.17	2.99
							37	8.65	2.83	9.10	2.87	9.56	2.92	9.79	2.94	10.03	2.97	10.50	3.01	10.98	3.06
							39	8.46	2.89	8.92	2.94	9.38	2.99	9.61	3.01	9.84	3.04	10.32	3.08	10.80	3.13
42	8.18	3.00	8.63	3.04	9.10	3.09	9.33	3.12	9.56	3.14	10.04	3.19	10.52	3.23							
44	7.99	3.07	8.45	3.11	8.91	3.16	9.14	3.19	9.38	3.21	9.86	3.26	10.34	3.31							
46	7.80	3.14	8.26	3.19	8.73	3.23	8.96	3.26	9.20	3.28	9.67	3.33	10.16	3.38							

12. Capacity Table

Combination (Capacity Index)					Combination (Total)	Combination (%)	Outdoor Temperature (°C, DB)	Indoor Temperature(°C, WB)													
								14		16		18		19		20		22		24	
								TC(kW)	PI(kW)	TC(kW)	PI(kW)	TC(kW)	PI(kW)	TC(kW)	PI(kW)	TC(kW)	PI(kW)	TC(kW)	PI(kW)	TC(kW)	PI(kW)
2000	2500	2500	2500	2500	12000	120%	10	8.57	1.92	12.09	1.97	12.32	2.02	12.46	2.04	12.61	2.07	12.96	2.11	13.38	2.15
							12	8.57	1.97	11.76	2.02	12.01	2.07	12.15	2.09	12.32	2.11	12.69	2.16	13.12	2.20
							14	8.57	2.02	11.45	2.07	11.71	2.12	11.86	2.14	12.03	2.16	12.42	2.21	12.87	2.25
							16	8.57	2.07	11.15	2.12	11.42	2.17	11.59	2.19	11.77	2.21	12.17	2.26	12.63	2.30
							18	8.57	2.13	10.86	2.17	11.15	2.22	11.32	2.24	11.51	2.27	11.93	2.31	12.41	2.35
							20	8.57	2.18	10.58	2.23	10.89	2.28	11.07	2.30	11.27	2.32	11.71	2.36	12.20	2.40
							21	8.57	2.21	10.45	2.26	10.77	2.30	10.95	2.32	11.15	2.35	11.60	2.39	12.10	2.43
							23	8.57	2.27	10.19	2.31	10.53	2.36	10.72	2.38	10.93	2.40	11.39	2.45	11.92	2.49
							25	8.57	2.32	9.95	2.37	10.31	2.42	10.51	2.44	10.72	2.46	11.20	2.50	11.74	2.54
							27	8.57	2.38	9.73	2.43	10.10	2.47	10.31	2.50	10.53	2.52	11.02	2.56	11.58	2.60
							29	8.57	2.44	9.51	2.49	9.90	2.54	10.12	2.56	10.35	2.58	10.86	2.62	11.43	2.66
							31	8.57	2.51	9.31	2.55	9.71	2.60	9.94	2.62	10.18	2.64	10.71	2.68	11.30	2.72
							33	8.57	2.57	9.12	2.62	9.54	2.66	9.78	2.68	10.03	2.70	10.57	2.75	11.18	2.79
							35	8.57	2.63	8.95	2.68	9.39	2.72	9.70	2.74	9.89	2.77	10.45	2.81	11.07	2.85
							37	8.57	2.70	8.79	2.75	9.24	2.79	9.49	2.81	9.76	2.83	10.34	2.88	10.98	2.91
							39	8.57	2.77	8.64	2.81	9.11	2.86	9.37	2.88	9.65	2.90	10.24	2.94	10.90	2.98
							42	8.57	2.87	8.45	2.92	8.94	2.96	9.21	2.98	9.50	3.01	10.12	3.05	10.80	3.09
44	8.57	2.94	8.33	2.99	8.85	3.03	9.13	3.06	9.42	3.08	10.06	3.12	10.76	3.16							
46	8.57	3.02	8.23	3.06	8.76	3.11	9.05	3.13	9.36	3.15	10.01	3.19	10.73	3.23							
2000	2500	2500	2500	3500	13000	130%	10	11.24	1.96	11.69	2.01	12.13	2.05	12.36	2.07	12.59	2.09	13.05	2.13	13.52	2.17
							12	11.05	2.02	11.49	2.06	11.94	2.10	12.17	2.12	12.40	2.14	12.86	2.19	13.33	2.23
							14	10.85	2.07	11.30	2.11	11.75	2.16	11.97	2.18	12.20	2.20	12.67	2.24	13.14	2.28
							16	10.66	2.13	11.10	2.17	11.55	2.21	11.78	2.23	12.01	2.25	12.48	2.30	12.95	2.34
							18	10.47	2.18	10.91	2.22	11.36	2.27	11.59	2.29	11.82	2.31	12.29	2.35	12.76	2.40
							20	10.27	2.24	10.72	2.28	11.17	2.32	11.40	2.35	11.63	2.37	12.10	2.41	12.57	2.45
							21	10.18	2.27	10.62	2.31	11.08	2.35	11.30	2.37	11.54	2.40	12.00	2.44	12.47	2.48
							23	9.98	2.32	10.43	2.37	10.88	2.41	11.11	2.43	11.35	2.46	11.81	2.50	12.29	2.54
							25	9.79	2.38	10.24	2.43	10.69	2.47	10.92	2.49	11.16	2.51	11.62	2.56	12.10	2.60
							27	9.60	2.44	10.05	2.49	10.50	2.53	10.73	2.55	10.97	2.58	11.44	2.62	11.91	2.66
							29	9.41	2.50	9.86	2.55	10.32	2.59	10.55	2.62	10.78	2.64	11.25	2.68	11.72	2.73
							31	9.22	2.57	9.67	2.61	10.13	2.66	10.36	2.68	10.59	2.70	11.06	2.75	11.54	2.79
							33	9.03	2.63	9.48	2.67	9.94	2.72	10.17	2.74	10.40	2.76	10.87	2.81	11.35	2.85
							35	8.84	2.69	9.29	2.74	9.75	2.78	10.00	2.80	10.22	2.83	10.69	2.87	11.17	2.92
							37	8.65	2.76	9.10	2.80	9.56	2.85	9.79	2.87	10.03	2.89	10.50	2.94	10.98	2.99
							39	8.46	2.82	8.92	2.87	9.38	2.92	9.61	2.94	9.84	2.96	10.32	3.01	10.80	3.05
							42	8.18	2.92	8.63	2.97	9.10	3.02	9.33	3.04	9.56	3.06	10.04	3.11	10.52	3.16
44	7.99	2.99	8.45	3.04	8.91	3.09	9.14	3.11	9.38	3.13	9.86	3.18	10.34	3.23							
46	7.80	3.06	8.26	3.11	8.73	3.16	8.96	3.18	9.20	3.20	9.67	3.25	10.16	3.30							

12. Capacity Table

Combination (Capacity Index)					Combination (Total)	Combination (%)	Outdoor Temperature (°C, DB)	Indoor Temperature(°C, WB)													
								14		16		18		19		20		22		24	
								TC(kW)	PI(kW)	TC(kW)	PI(kW)	TC(kW)	PI(kW)	TC(kW)	PI(kW)	TC(kW)	PI(kW)	TC(kW)	PI(kW)	TC(kW)	PI(kW)
2000	2500	2500	2500	5000	14500	145%	10	11.24	1.97	11.69	2.01	12.13	2.06	12.36	2.08	12.59	2.10	13.05	2.14	13.52	2.18
							12	11.05	2.02	11.49	2.07	11.94	2.11	12.17	2.13	12.40	2.15	12.86	2.19	13.33	2.24
							14	10.85	2.08	11.30	2.12	11.75	2.16	11.97	2.18	12.20	2.21	12.67	2.25	13.14	2.29
							16	10.66	2.13	11.10	2.18	11.55	2.22	11.78	2.24	12.01	2.26	12.48	2.30	12.95	2.35
							18	10.47	2.19	10.91	2.23	11.36	2.27	11.59	2.30	11.82	2.32	12.29	2.36	12.76	2.40
							20	10.27	2.25	10.72	2.29	11.17	2.33	11.40	2.35	11.63	2.38	12.10	2.42	12.57	2.46
							21	10.18	2.27	10.62	2.32	11.08	2.36	11.30	2.38	11.54	2.40	12.00	2.45	12.47	2.49
							23	9.98	2.33	10.43	2.38	10.88	2.42	11.11	2.44	11.35	2.46	11.81	2.51	12.29	2.55
							25	9.79	2.39	10.24	2.44	10.69	2.48	10.92	2.50	11.16	2.52	11.62	2.57	12.10	2.61
							27	9.60	2.45	10.05	2.50	10.50	2.54	10.73	2.56	10.97	2.58	11.44	2.63	11.91	2.67
							29	9.41	2.51	9.86	2.56	10.32	2.60	10.55	2.62	10.78	2.65	11.25	2.69	11.72	2.74
							31	9.22	2.57	9.67	2.62	10.13	2.66	10.36	2.69	10.59	2.71	11.06	2.75	11.54	2.80
							33	9.03	2.64	9.48	2.68	9.94	2.73	10.17	2.75	10.40	2.77	10.87	2.82	11.35	2.86
							35	8.84	2.70	9.29	2.75	9.75	2.79	10.00	2.81	10.22	2.84	10.69	2.88	11.17	2.93
							37	8.65	2.77	9.10	2.81	9.56	2.86	9.79	2.88	10.03	2.90	10.50	2.95	10.98	3.00
							39	8.46	2.83	8.92	2.88	9.38	2.93	9.61	2.95	9.84	2.97	10.32	3.02	10.80	3.06
42	8.18	2.93	8.63	2.98	9.10	3.03	9.33	3.05	9.56	3.07	10.04	3.12	10.52	3.17							
44	7.99	3.00	8.45	3.05	8.91	3.10	9.14	3.12	9.38	3.14	9.86	3.19	10.34	3.24							
46	7.80	3.07	8.26	3.12	8.73	3.17	8.96	3.19	9.20	3.21	9.67	3.26	10.16	3.31							
2000	2500	2500	2500	6800	16300	163%	10	11.24	2.02	11.69	2.06	12.13	2.11	12.36	2.13	12.59	2.15	13.05	2.19	13.52	2.24
							12	11.05	2.07	11.49	2.12	11.94	2.16	12.17	2.18	12.40	2.20	12.86	2.25	13.33	2.29
							14	10.85	2.13	11.30	2.17	11.75	2.22	11.97	2.24	12.20	2.26	12.67	2.30	13.14	2.35
							16	10.66	2.19	11.10	2.23	11.55	2.27	11.78	2.30	12.01	2.32	12.48	2.36	12.95	2.41
							18	10.47	2.24	10.91	2.29	11.36	2.33	11.59	2.35	11.82	2.38	12.29	2.42	12.76	2.46
							20	10.27	2.30	10.72	2.35	11.17	2.39	11.40	2.41	11.63	2.43	12.10	2.48	12.57	2.52
							21	10.18	2.33	10.62	2.38	11.08	2.42	11.30	2.44	11.54	2.46	12.00	2.51	12.47	2.55
							23	9.98	2.39	10.43	2.44	10.88	2.48	11.11	2.50	11.35	2.53	11.81	2.57	12.29	2.62
							25	9.79	2.45	10.24	2.50	10.69	2.54	10.92	2.56	11.16	2.59	11.62	2.63	12.10	2.68
							27	9.60	2.51	10.05	2.56	10.50	2.60	10.73	2.63	10.97	2.65	11.44	2.69	11.91	2.74
							29	9.41	2.58	9.86	2.62	10.32	2.67	10.55	2.69	10.78	2.71	11.25	2.76	11.72	2.80
							31	9.22	2.64	9.67	2.69	10.13	2.73	10.36	2.75	10.59	2.78	11.06	2.82	11.54	2.87
							33	9.03	2.70	9.48	2.75	9.94	2.80	10.17	2.82	10.40	2.84	10.87	2.89	11.35	2.94
							35	8.84	2.77	9.29	2.82	9.75	2.86	10.00	2.88	10.22	2.91	10.69	2.96	11.17	3.00
							37	8.65	2.84	9.10	2.88	9.56	2.93	9.79	2.95	10.03	2.98	10.50	3.02	10.98	3.07
							39	8.46	2.90	8.92	2.95	9.38	3.00	9.61	3.02	9.84	3.05	10.32	3.09	10.80	3.14
42	8.18	3.01	8.63	3.06	9.10	3.10	9.33	3.13	9.56	3.15	10.04	3.20	10.52	3.25							
44	7.99	3.08	8.45	3.13	8.91	3.17	9.14	3.20	9.38	3.22	9.86	3.27	10.34	3.32							
46	7.80	3.15	8.26	3.20	8.73	3.25	8.96	3.27	9.20	3.29	9.67	3.34	10.16	3.39							

12. Capacity Table

Combination (Capacity Index)					Combination (Total)	Combination (%)	Outdoor Temperature (°C, DB)	Indoor Temperature(°C, WB)													
								14		16		18		19		20		22		24	
								TC(kW)	PI(kW)	TC(kW)	PI(kW)	TC(kW)	PI(kW)	TC(kW)	PI(kW)	TC(kW)	PI(kW)	TC(kW)	PI(kW)	TC(kW)	PI(kW)
2000	2500	2500	3500	3500	14000	140%	10	11.24	2.00	11.69	2.04	12.13	2.08	12.36	2.11	12.59	2.13	13.05	2.17	13.52	2.21
							12	11.05	2.05	11.49	2.10	11.94	2.14	12.17	2.16	12.40	2.18	12.86	2.22	13.33	2.27
							14	10.85	2.11	11.30	2.15	11.75	2.19	11.97	2.22	12.20	2.24	12.67	2.28	13.14	2.32
							16	10.66	2.16	11.10	2.21	11.55	2.25	11.78	2.27	12.01	2.29	12.48	2.34	12.95	2.38
							18	10.47	2.22	10.91	2.26	11.36	2.31	11.59	2.33	11.82	2.35	12.29	2.39	12.76	2.44
							20	10.27	2.28	10.72	2.32	11.17	2.37	11.40	2.39	11.63	2.41	12.10	2.45	12.57	2.50
							21	10.18	2.31	10.62	2.35	11.08	2.39	11.30	2.42	11.54	2.44	12.00	2.48	12.47	2.53
							23	9.98	2.37	10.43	2.41	10.88	2.45	11.11	2.48	11.35	2.50	11.81	2.54	12.29	2.59
							25	9.79	2.43	10.24	2.47	10.69	2.52	10.92	2.54	11.16	2.56	11.62	2.60	12.10	2.65
							27	9.60	2.49	10.05	2.53	10.50	2.58	10.73	2.60	10.97	2.62	11.44	2.67	11.91	2.71
							29	9.41	2.55	9.86	2.59	10.32	2.64	10.55	2.66	10.78	2.68	11.25	2.73	11.72	2.78
							31	9.22	2.61	9.67	2.66	10.13	2.70	10.36	2.73	10.59	2.75	11.06	2.79	11.54	2.84
							33	9.03	2.68	9.48	2.72	9.94	2.77	10.17	2.79	10.40	2.81	10.87	2.86	11.35	2.91
							35	8.84	2.74	9.29	2.79	9.75	2.83	10.00	2.85	10.22	2.88	10.69	2.93	11.17	2.97
							37	8.65	2.81	9.10	2.85	9.56	2.90	9.79	2.92	10.03	2.95	10.50	2.99	10.98	3.04
							39	8.46	2.87	8.92	2.92	9.38	2.97	9.61	2.99	9.84	3.01	10.32	3.06	10.80	3.11
							42	8.18	2.98	8.63	3.02	9.10	3.07	9.33	3.09	9.56	3.12	10.04	3.16	10.52	3.21
44	7.99	3.05	8.45	3.09	8.91	3.14	9.14	3.16	9.38	3.19	9.86	3.24	10.34	3.28							
46	7.80	3.12	8.26	3.16	8.73	3.21	8.96	3.24	9.20	3.26	9.67	3.31	10.16	3.35							
2000	2500	2500	3500	5000	15500	155%	10	11.24	2.01	11.69	2.05	12.13	2.09	12.36	2.11	12.59	2.14	13.05	2.18	13.52	2.22
							12	11.05	2.06	11.49	2.10	11.94	2.15	12.17	2.17	12.40	2.19	12.86	2.23	13.33	2.28
							14	10.85	2.12	11.30	2.16	11.75	2.20	11.97	2.22	12.20	2.25	12.67	2.29	13.14	2.33
							16	10.66	2.17	11.10	2.21	11.55	2.26	11.78	2.28	12.01	2.30	12.48	2.35	12.95	2.39
							18	10.47	2.23	10.91	2.27	11.36	2.32	11.59	2.34	11.82	2.36	12.29	2.40	12.76	2.45
							20	10.27	2.29	10.72	2.33	11.17	2.37	11.40	2.40	11.63	2.42	12.10	2.46	12.57	2.51
							21	10.18	2.31	10.62	2.36	11.08	2.40	11.30	2.43	11.54	2.45	12.00	2.49	12.47	2.54
							23	9.98	2.37	10.43	2.42	10.88	2.46	11.11	2.49	11.35	2.51	11.81	2.55	12.29	2.60
							25	9.79	2.43	10.24	2.48	10.69	2.52	10.92	2.55	11.16	2.57	11.62	2.61	12.10	2.66
							27	9.60	2.50	10.05	2.54	10.50	2.59	10.73	2.61	10.97	2.63	11.44	2.68	11.91	2.72
							29	9.41	2.56	9.86	2.60	10.32	2.65	10.55	2.67	10.78	2.69	11.25	2.74	11.72	2.79
							31	9.22	2.62	9.67	2.67	10.13	2.71	10.36	2.74	10.59	2.76	11.06	2.80	11.54	2.85
							33	9.03	2.69	9.48	2.73	9.94	2.78	10.17	2.80	10.40	2.82	10.87	2.87	11.35	2.92
							35	8.84	2.75	9.29	2.80	9.75	2.84	10.00	2.86	10.22	2.89	10.69	2.94	11.17	2.98
							37	8.65	2.82	9.10	2.86	9.56	2.91	9.79	2.93	10.03	2.96	10.50	3.00	10.98	3.05
							39	8.46	2.88	8.92	2.93	9.38	2.98	9.61	3.00	9.84	3.02	10.32	3.07	10.80	3.12
							42	8.18	2.99	8.63	3.03	9.10	3.08	9.33	3.10	9.56	3.13	10.04	3.18	10.52	3.22
44	7.99	3.06	8.45	3.10	8.91	3.15	9.14	3.18	9.38	3.20	9.86	3.25	10.34	3.29							
46	7.80	3.13	8.26	3.17	8.73	3.22	8.96	3.25	9.20	3.27	9.67	3.32	10.16	3.37							

12. Capacity Table

Combination (Capacity Index)					Combination (Total)	Combination (%)	Outdoor Temperature (°C, DB)	Indoor Temperature(°C, WB)													
								14		16		18		19		20		22		24	
								TC(kW)	PI(kW)	TC(kW)	PI(kW)	TC(kW)	PI(kW)	TC(kW)	PI(kW)	TC(kW)	PI(kW)	TC(kW)	PI(kW)	TC(kW)	PI(kW)
2000	2500	2500	3500	6800	17300	173%	10	11.24	2.06	11.69	2.10	12.13	2.14	12.36	2.17	12.59	2.19	13.05	2.23	13.52	2.27
							12	11.05	2.11	11.49	2.15	11.94	2.20	12.17	2.22	12.40	2.24	12.86	2.29	13.33	2.33
							14	10.85	2.17	11.30	2.21	11.75	2.26	11.97	2.28	12.20	2.30	12.67	2.34	13.14	2.39
							16	10.66	2.22	11.10	2.27	11.55	2.31	11.78	2.34	12.01	2.36	12.48	2.40	12.95	2.45
							18	10.47	2.28	10.91	2.33	11.36	2.37	11.59	2.39	11.82	2.42	12.29	2.46	12.76	2.51
							20	10.27	2.34	10.72	2.39	11.17	2.43	11.40	2.45	11.63	2.48	12.10	2.52	12.57	2.57
							21	10.18	2.37	10.62	2.42	11.08	2.46	11.30	2.48	11.54	2.51	12.00	2.55	12.47	2.60
							23	9.98	2.43	10.43	2.48	10.88	2.52	11.11	2.55	11.35	2.57	11.81	2.61	12.29	2.66
							25	9.79	2.49	10.24	2.54	10.69	2.59	10.92	2.61	11.16	2.63	11.62	2.68	12.10	2.72
							27	9.60	2.56	10.05	2.60	10.50	2.65	10.73	2.67	10.97	2.70	11.44	2.74	11.91	2.79
							29	9.41	2.62	9.86	2.67	10.32	2.71	10.55	2.74	10.78	2.76	11.25	2.81	11.72	2.85
							31	9.22	2.68	9.67	2.73	10.13	2.78	10.36	2.80	10.59	2.83	11.06	2.87	11.54	2.92
							33	9.03	2.75	9.48	2.80	9.94	2.85	10.17	2.87	10.40	2.89	10.87	2.94	11.35	2.99
							35	8.84	2.82	9.29	2.87	9.75	2.91	10.00	2.93	10.22	2.96	10.69	3.01	11.17	3.06
							37	8.65	2.89	9.10	2.93	9.56	2.98	9.79	3.00	10.03	3.03	10.50	3.08	10.98	3.12
							39	8.46	2.95	8.92	3.00	9.38	3.05	9.61	3.07	9.84	3.10	10.32	3.15	10.80	3.19
42	8.18	3.06	8.63	3.11	9.10	3.16	9.33	3.18	9.56	3.21	10.04	3.25	10.52	3.30							
44	7.99	3.13	8.45	3.18	8.91	3.23	9.14	3.25	9.38	3.28	9.86	3.33	10.34	3.37							
46	7.80	3.20	8.26	3.25	8.73	3.30	8.96	3.33	9.20	3.35	9.67	3.40	10.16	3.45							
2000	2500	2500	5000	5000	17000	170%	10	11.24	2.06	11.69	2.10	12.13	2.14	12.36	2.17	12.59	2.19	13.05	2.23	13.52	2.27
							12	11.05	2.11	11.49	2.15	11.94	2.20	12.17	2.22	12.40	2.24	12.86	2.29	13.33	2.33
							14	10.85	2.17	11.30	2.21	11.75	2.26	11.97	2.28	12.20	2.30	12.67	2.34	13.14	2.39
							16	10.66	2.22	11.10	2.27	11.55	2.31	11.78	2.34	12.01	2.36	12.48	2.40	12.95	2.45
							18	10.47	2.28	10.91	2.33	11.36	2.37	11.59	2.39	11.82	2.42	12.29	2.46	12.76	2.51
							20	10.27	2.34	10.72	2.39	11.17	2.43	11.40	2.45	11.63	2.48	12.10	2.52	12.57	2.57
							21	10.18	2.37	10.62	2.42	11.08	2.46	11.30	2.48	11.54	2.51	12.00	2.55	12.47	2.60
							23	9.98	2.43	10.43	2.48	10.88	2.52	11.11	2.55	11.35	2.57	11.81	2.61	12.29	2.66
							25	9.79	2.49	10.24	2.54	10.69	2.59	10.92	2.61	11.16	2.63	11.62	2.68	12.10	2.72
							27	9.60	2.56	10.05	2.60	10.50	2.65	10.73	2.67	10.97	2.70	11.44	2.74	11.91	2.79
							29	9.41	2.62	9.86	2.67	10.32	2.71	10.55	2.74	10.78	2.76	11.25	2.81	11.72	2.85
							31	9.22	2.68	9.67	2.73	10.13	2.78	10.36	2.80	10.59	2.83	11.06	2.87	11.54	2.92
							33	9.03	2.75	9.48	2.80	9.94	2.85	10.17	2.87	10.40	2.89	10.87	2.94	11.35	2.99
							35	8.84	2.82	9.29	2.87	9.75	2.91	10.00	2.93	10.22	2.96	10.69	3.01	11.17	3.06
							37	8.65	2.89	9.10	2.93	9.56	2.98	9.79	3.00	10.03	3.03	10.50	3.08	10.98	3.12
							39	8.46	2.95	8.92	3.00	9.38	3.05	9.61	3.07	9.84	3.10	10.32	3.15	10.80	3.19
42	8.18	3.06	8.63	3.11	9.10	3.16	9.33	3.18	9.56	3.21	10.04	3.25	10.52	3.30							
44	7.99	3.13	8.45	3.18	8.91	3.23	9.14	3.25	9.38	3.28	9.86	3.33	10.34	3.37							
46	7.80	3.20	8.26	3.25	8.73	3.30	8.96	3.33	9.20	3.35	9.67	3.40	10.16	3.45							

12. Capacity Table

Combination (Capacity Index)					Combination (Total)	Combination (%)	Outdoor Temperature (°C,DB)	Indoor Temperature(°C, WB)															
								14		16		18		19		20		22		24			
								TC(kW)	PI(kW)	TC(kW)	PI(kW)	TC(kW)	PI(kW)	TC(kW)	PI(kW)	TC(kW)	PI(kW)	TC(kW)	PI(kW)	TC(kW)	PI(kW)		
2000	2500	3500	3500	3500	15000	150%	10	11.24	1.97	11.69	2.01	12.13	2.06	12.36	2.08	12.59	2.10	13.05	2.14	13.52	2.18		
							12	11.05	2.02	11.49	2.07	11.94	2.11	12.17	2.13	12.40	2.15	12.86	2.19	13.33	2.24		
							14	10.85	2.08	11.30	2.12	11.75	2.16	11.97	2.18	12.20	2.21	12.67	2.25	13.14	2.29		
							16	10.66	2.13	11.10	2.18	11.55	2.22	11.78	2.24	12.01	2.26	12.48	2.30	12.95	2.35		
							18	10.47	2.19	10.91	2.23	11.36	2.27	11.59	2.30	11.82	2.32	12.29	2.36	12.76	2.40		
							20	10.27	2.25	10.72	2.29	11.17	2.33	11.40	2.35	11.63	2.38	12.10	2.42	12.57	2.46		
							21	10.18	2.27	10.62	2.32	11.08	2.36	11.30	2.38	11.54	2.40	12.00	2.45	12.47	2.49		
							23	9.98	2.33	10.43	2.38	10.88	2.42	11.11	2.44	11.35	2.46	11.81	2.51	12.29	2.55		
							25	9.79	2.39	10.24	2.44	10.69	2.48	10.92	2.50	11.16	2.52	11.62	2.57	12.10	2.61		
							27	9.60	2.45	10.05	2.50	10.50	2.54	10.73	2.56	10.97	2.58	11.44	2.63	11.91	2.67		
							29	9.41	2.51	9.86	2.56	10.32	2.60	10.55	2.62	10.78	2.65	11.25	2.69	11.72	2.74		
							31	9.22	2.57	9.67	2.62	10.13	2.66	10.36	2.69	10.59	2.71	11.06	2.75	11.54	2.80		
							33	9.03	2.64	9.48	2.68	9.94	2.73	10.17	2.75	10.40	2.77	10.87	2.82	11.35	2.86		
							35	8.84	2.70	9.29	2.75	9.75	2.79	10.00	2.81	10.22	2.84	10.69	2.88	11.17	2.93		
							37	8.65	2.77	9.10	2.81	9.56	2.86	9.79	2.88	10.03	2.90	10.50	2.95	10.98	3.00		
							39	8.46	2.83	8.92	2.88	9.38	2.93	9.61	2.95	9.84	2.97	10.32	3.02	10.80	3.06		
42	8.18	2.93	8.63	2.98	9.10	3.03	9.33	3.05	9.56	3.07	10.04	3.12	10.52	3.17									
44	7.99	3.00	8.45	3.05	8.91	3.10	9.14	3.12	9.38	3.14	9.86	3.19	10.34	3.24									
46	7.80	3.07	8.26	3.12	8.73	3.17	8.96	3.19	9.20	3.21	9.67	3.26	10.16	3.31									
2000	2500	3500	3500	5000	16500	165%	10	11.24	2.05	11.69	2.09	12.13	2.14	12.36	2.16	12.59	2.18	13.05	2.22	13.52	2.27		
							12	11.05	2.10	11.49	2.15	11.94	2.19	12.17	2.21	12.40	2.24	12.86	2.28	13.33	2.32		
							14	10.85	2.16	11.30	2.20	11.75	2.25	11.97	2.27	12.20	2.29	12.67	2.34	13.14	2.38		
							16	10.66	2.22	11.10	2.26	11.55	2.31	11.78	2.33	12.01	2.35	12.48	2.39	12.95	2.44		
							18	10.47	2.27	10.91	2.32	11.36	2.36	11.59	2.39	11.82	2.41	12.29	2.45	12.76	2.50		
							20	10.27	2.33	10.72	2.38	11.17	2.42	11.40	2.45	11.63	2.47	12.10	2.51	12.57	2.56		
							21	10.18	2.36	10.62	2.41	11.08	2.45	11.30	2.48	11.54	2.50	12.00	2.54	12.47	2.59		
							23	9.98	2.42	10.43	2.47	10.88	2.51	11.11	2.54	11.35	2.56	11.81	2.61	12.29	2.65		
							25	9.79	2.49	10.24	2.53	10.69	2.58	10.92	2.60	11.16	2.62	11.62	2.67	12.10	2.71		
							27	9.60	2.55	10.05	2.59	10.50	2.64	10.73	2.66	10.97	2.69	11.44	2.73	11.91	2.78		
							29	9.41	2.61	9.86	2.66	10.32	2.70	10.55	2.73	10.78	2.75	11.25	2.80	11.72	2.84		
							31	9.22	2.68	9.67	2.72	10.13	2.77	10.36	2.79	10.59	2.82	11.06	2.86	11.54	2.91		
							33	9.03	2.74	9.48	2.79	9.94	2.84	10.17	2.86	10.40	2.88	10.87	2.93	11.35	2.98		
							35	8.84	2.81	9.29	2.86	9.75	2.90	10.00	2.92	10.22	2.95	10.69	3.00	11.17	3.04		
							37	8.65	2.88	9.10	2.92	9.56	2.97	9.79	2.99	10.03	3.02	10.50	3.07	10.98	3.11		
							39	8.46	2.94	8.92	2.99	9.38	3.04	9.61	3.06	9.84	3.09	10.32	3.14	10.80	3.18		
42	8.18	3.05	8.63	3.10	9.10	3.15	9.33	3.17	9.56	3.19	10.04	3.24	10.52	3.29									
44	7.99	3.12	8.45	3.17	8.91	3.22	9.14	3.24	9.38	3.27	9.86	3.31	10.34	3.36									
46	7.80	3.19	8.26	3.24	8.73	3.29	8.96	3.31	9.20	3.34	9.67	3.39	10.16	3.44									

12. Capacity Table

Combination (Capacity Index)					Combination (Total)	Combination (%)	Outdoor Temperature (°C, DB)	Indoor Temperature(°C, WB)															
								14		16		18		19		20		22		24			
								TC(kW)	PI(kW)	TC(kW)	PI(kW)	TC(kW)	PI(kW)	TC(kW)	PI(kW)	TC(kW)	PI(kW)	TC(kW)	PI(kW)	TC(kW)	PI(kW)		
2000	3500	3500	3500	3500	16000	160%	10	11.24	2.01	11.69	2.05	12.13	2.09	12.36	2.11	12.59	2.14	13.05	2.18	13.52	2.22		
							12	11.05	2.06	11.49	2.10	11.94	2.15	12.17	2.17	12.40	2.19	12.86	2.23	13.33	2.28		
							14	10.85	2.12	11.30	2.16	11.75	2.20	11.97	2.22	12.20	2.25	12.67	2.29	13.14	2.33		
							16	10.66	2.17	11.10	2.21	11.55	2.26	11.78	2.28	12.01	2.30	12.48	2.35	12.95	2.39		
							18	10.47	2.23	10.91	2.27	11.36	2.32	11.59	2.34	11.82	2.36	12.29	2.40	12.76	2.45		
							20	10.27	2.29	10.72	2.33	11.17	2.37	11.40	2.40	11.63	2.42	12.10	2.46	12.57	2.51		
							21	10.18	2.31	10.62	2.36	11.08	2.40	11.30	2.43	11.54	2.45	12.00	2.49	12.47	2.54		
							23	9.98	2.37	10.43	2.42	10.88	2.46	11.11	2.49	11.35	2.51	11.81	2.55	12.29	2.60		
							25	9.79	2.43	10.24	2.48	10.69	2.52	10.92	2.55	11.16	2.57	11.62	2.61	12.10	2.66		
							27	9.60	2.50	10.05	2.54	10.50	2.59	10.73	2.61	10.97	2.63	11.44	2.68	11.91	2.72		
							29	9.41	2.56	9.86	2.60	10.32	2.65	10.55	2.67	10.78	2.69	11.25	2.74	11.72	2.79		
							31	9.22	2.62	9.67	2.67	10.13	2.71	10.36	2.74	10.59	2.76	11.06	2.80	11.54	2.85		
							33	9.03	2.69	9.48	2.73	9.94	2.78	10.17	2.80	10.40	2.82	10.87	2.87	11.35	2.92		
							35	8.84	2.75	9.29	2.80	9.75	2.84	10.00	2.86	10.22	2.89	10.69	2.94	11.17	2.98		
							37	8.65	2.82	9.10	2.86	9.56	2.91	9.79	2.93	10.03	2.96	10.50	3.00	10.98	3.05		
							39	8.46	2.88	8.92	2.93	9.38	2.98	9.61	3.00	9.84	3.02	10.32	3.07	10.80	3.12		
42	8.18	2.99	8.63	3.03	9.10	3.08	9.33	3.10	9.56	3.13	10.04	3.18	10.52	3.22									
44	7.99	3.06	8.45	3.10	8.91	3.15	9.14	3.18	9.38	3.20	9.86	3.25	10.34	3.29									
46	7.80	3.13	8.26	3.17	8.73	3.22	8.96	3.25	9.20	3.27	9.67	3.32	10.16	3.37									
2500	2500	2500	2500	2500	12500	125%	10	8.84	1.93	12.47	1.98	12.70	2.03	12.84	2.05	13.00	2.07	13.37	2.12	13.79	2.16		
							12	8.84	1.98	12.13	2.03	12.38	2.08	12.53	2.10	12.70	2.12	13.08	2.17	13.52	2.21		
							14	8.84	2.03	11.80	2.08	12.07	2.13	12.23	2.15	12.41	2.17	12.80	2.21	13.27	2.26		
							16	8.84	2.08	11.49	2.13	11.78	2.18	11.95	2.20	12.13	2.22	12.54	2.27	13.02	2.31		
							18	8.84	2.13	11.19	2.18	11.50	2.23	11.67	2.25	11.87	2.27	12.30	2.32	12.80	2.36		
							20	8.84	2.19	10.91	2.24	11.23	2.28	11.42	2.31	11.62	2.33	12.07	2.37	12.58	2.41		
							21	8.84	2.22	10.77	2.26	11.10	2.31	11.29	2.33	11.50	2.36	11.96	2.40	12.48	2.44		
							23	8.84	2.27	10.51	2.32	10.86	2.37	11.06	2.39	11.27	2.41	11.75	2.45	12.29	2.50		
							25	8.84	2.33	10.26	2.38	10.63	2.42	10.83	2.45	11.06	2.47	11.55	2.51	12.11	2.55		
							27	8.84	2.39	10.03	2.44	10.41	2.48	10.62	2.51	10.86	2.53	11.37	2.57	11.94	2.61		
							29	8.84	2.45	9.81	2.50	10.20	2.54	10.43	2.57	10.67	2.59	11.20	2.63	11.79	2.67		
							31	8.84	2.51	9.60	2.56	10.02	2.61	10.25	2.63	10.50	2.65	11.04	2.69	11.65	2.73		
							33	8.84	2.58	9.40	2.62	9.84	2.67	10.08	2.69	10.34	2.71	10.90	2.76	11.53	2.80		
							35	8.84	2.64	9.23	2.69	9.68	2.73	10.00	2.75	10.19	2.78	10.77	2.82	11.41	2.86		
							37	8.84	2.71	9.06	2.76	9.53	2.80	9.79	2.82	10.06	2.84	10.66	2.89	11.32	2.93		
							39	8.84	2.78	8.91	2.82	9.39	2.87	9.66	2.89	9.94	2.91	10.56	2.95	11.24	2.99		
42	8.84	2.88	8.71	2.93	9.22	2.97	9.50	3.00	9.80	3.02	10.43	3.06	11.14	3.10									
44	8.84	2.96	8.59	3.00	9.12	3.05	9.41	3.07	9.71	3.09	10.37	3.13	11.09	3.17									
46	8.84	3.03	8.49	3.07	9.03	3.12	9.33	3.14	9.64	3.16	10.32	3.20	11.06	3.24									

12. Capacity Table

Combination (Capacity Index)					Combination (Total)	Combination (%)	Outdoor Temperature (°C, DB)	Indoor Temperature(°C, WB)															
								14		16		18		19		20		22		24			
								TC(kW)	PI(kW)	TC(kW)	PI(kW)	TC(kW)	PI(kW)	TC(kW)	PI(kW)	TC(kW)	PI(kW)	TC(kW)	PI(kW)	TC(kW)	PI(kW)		
2500	2500	2500	2500	3500	13500	135%	10	11.24	1.99	11.69	2.04	12.13	2.08	12.36	2.10	12.59	2.12	13.05	2.16	13.52	2.21		
							12	11.05	2.05	11.49	2.09	11.94	2.13	12.17	2.15	12.40	2.17	12.86	2.22	13.33	2.26		
							14	10.85	2.10	11.30	2.14	11.75	2.19	11.97	2.21	12.20	2.23	12.67	2.27	13.14	2.32		
							16	10.66	2.16	11.10	2.20	11.55	2.24	11.78	2.26	12.01	2.29	12.48	2.33	12.95	2.37		
							18	10.47	2.21	10.91	2.26	11.36	2.30	11.59	2.32	11.82	2.34	12.29	2.39	12.76	2.43		
							20	10.27	2.27	10.72	2.31	11.17	2.36	11.40	2.38	11.63	2.40	12.10	2.45	12.57	2.49		
							21	10.18	2.30	10.62	2.34	11.08	2.39	11.30	2.41	11.54	2.43	12.00	2.47	12.47	2.52		
							23	9.98	2.36	10.43	2.40	10.88	2.45	11.11	2.47	11.35	2.49	11.81	2.53	12.29	2.58		
							25	9.79	2.42	10.24	2.46	10.69	2.51	10.92	2.53	11.16	2.55	11.62	2.60	12.10	2.64		
							27	9.60	2.48	10.05	2.52	10.50	2.57	10.73	2.59	10.97	2.61	11.44	2.66	11.91	2.70		
							29	9.41	2.54	9.86	2.58	10.32	2.63	10.55	2.65	10.78	2.68	11.25	2.72	11.72	2.77		
							31	9.22	2.60	9.67	2.65	10.13	2.69	10.36	2.72	10.59	2.74	11.06	2.78	11.54	2.83		
							33	9.03	2.67	9.48	2.71	9.94	2.76	10.17	2.78	10.40	2.80	10.87	2.85	11.35	2.89		
							35	8.84	2.73	9.29	2.78	9.75	2.82	10.00	2.84	10.22	2.87	10.69	2.92	11.17	2.96		
							37	8.65	2.80	9.10	2.84	9.56	2.89	9.79	2.91	10.03	2.94	10.50	2.98	10.98	3.03		
							39	8.46	2.86	8.92	2.91	9.38	2.96	9.61	2.98	9.84	3.00	10.32	3.05	10.80	3.10		
							42	8.18	2.97	8.63	3.01	9.10	3.06	9.33	3.08	9.56	3.11	10.04	3.15	10.52	3.20		
44	7.99	3.03	8.45	3.08	8.91	3.13	9.14	3.15	9.38	3.18	9.86	3.22	10.34	3.27									
46	7.80	3.11	8.26	3.15	8.73	3.20	8.96	3.22	9.20	3.25	9.67	3.30	10.16	3.34									
2500	2500	2500	2500	5000	15000	150%	10	11.24	1.97	11.69	2.01	12.13	2.06	12.36	2.08	12.59	2.10	13.05	2.14	13.52	2.18		
							12	11.05	2.02	11.49	2.07	11.94	2.11	12.17	2.13	12.40	2.15	12.86	2.19	13.33	2.24		
							14	10.85	2.08	11.30	2.12	11.75	2.16	11.97	2.18	12.20	2.21	12.67	2.25	13.14	2.29		
							16	10.66	2.13	11.10	2.18	11.55	2.22	11.78	2.24	12.01	2.26	12.48	2.30	12.95	2.35		
							18	10.47	2.19	10.91	2.23	11.36	2.27	11.59	2.30	11.82	2.32	12.29	2.36	12.76	2.40		
							20	10.27	2.25	10.72	2.29	11.17	2.33	11.40	2.35	11.63	2.38	12.10	2.42	12.57	2.46		
							21	10.18	2.27	10.62	2.32	11.08	2.36	11.30	2.38	11.54	2.40	12.00	2.45	12.47	2.49		
							23	9.98	2.33	10.43	2.38	10.88	2.42	11.11	2.44	11.35	2.46	11.81	2.51	12.29	2.55		
							25	9.79	2.39	10.24	2.44	10.69	2.48	10.92	2.50	11.16	2.52	11.62	2.57	12.10	2.61		
							27	9.60	2.45	10.05	2.50	10.50	2.54	10.73	2.56	10.97	2.58	11.44	2.63	11.91	2.67		
							29	9.41	2.51	9.86	2.56	10.32	2.60	10.55	2.62	10.78	2.65	11.25	2.69	11.72	2.74		
							31	9.22	2.57	9.67	2.62	10.13	2.66	10.36	2.69	10.59	2.71	11.06	2.75	11.54	2.80		
							33	9.03	2.64	9.48	2.68	9.94	2.73	10.17	2.75	10.40	2.77	10.87	2.82	11.35	2.86		
							35	8.84	2.70	9.29	2.75	9.75	2.79	10.00	2.81	10.22	2.84	10.69	2.88	11.17	2.93		
							37	8.65	2.77	9.10	2.81	9.56	2.86	9.79	2.88	10.03	2.90	10.50	2.95	10.98	3.00		
							39	8.46	2.83	8.92	2.88	9.38	2.93	9.61	2.95	9.84	2.97	10.32	3.02	10.80	3.06		
							42	8.18	2.93	8.63	2.98	9.10	3.03	9.33	3.05	9.56	3.07	10.04	3.12	10.52	3.17		
44	7.99	3.00	8.45	3.05	8.91	3.10	9.14	3.12	9.38	3.14	9.86	3.19	10.34	3.24									
46	7.80	3.07	8.26	3.12	8.73	3.17	8.96	3.19	9.20	3.21	9.67	3.26	10.16	3.31									

12. Capacity Table

Combination (Capacity Index)					Combination (Total)	Combination (%)	Outdoor Temperature (°C, DB)	Indoor Temperature(°C, WB)													
								14		16		18		19		20		22		24	
								TC(kW)	PI(kW)	TC(kW)	PI(kW)	TC(kW)	PI(kW)	TC(kW)	PI(kW)	TC(kW)	PI(kW)	TC(kW)	PI(kW)	TC(kW)	PI(kW)
2500	2500	2500	2500	6800	16800	168%	10	11.24	2.06	11.69	2.10	12.13	2.14	12.36	2.17	12.59	2.19	13.05	2.23	13.52	2.27
							12	11.05	2.11	11.49	2.15	11.94	2.20	12.17	2.22	12.40	2.24	12.86	2.29	13.33	2.33
							14	10.85	2.17	11.30	2.21	11.75	2.26	11.97	2.28	12.20	2.30	12.67	2.34	13.14	2.39
							16	10.66	2.22	11.10	2.27	11.55	2.31	11.78	2.34	12.01	2.36	12.48	2.40	12.95	2.45
							18	10.47	2.28	10.91	2.33	11.36	2.37	11.59	2.39	11.82	2.42	12.29	2.46	12.76	2.51
							20	10.27	2.34	10.72	2.39	11.17	2.43	11.40	2.45	11.63	2.48	12.10	2.52	12.57	2.57
							21	10.18	2.37	10.62	2.42	11.08	2.46	11.30	2.48	11.54	2.51	12.00	2.55	12.47	2.60
							23	9.98	2.43	10.43	2.48	10.88	2.52	11.11	2.55	11.35	2.57	11.81	2.61	12.29	2.66
							25	9.79	2.49	10.24	2.54	10.69	2.59	10.92	2.61	11.16	2.63	11.62	2.68	12.10	2.72
							27	9.60	2.56	10.05	2.60	10.50	2.65	10.73	2.67	10.97	2.70	11.44	2.74	11.91	2.79
							29	9.41	2.62	9.86	2.67	10.32	2.71	10.55	2.74	10.78	2.76	11.25	2.81	11.72	2.85
							31	9.22	2.68	9.67	2.73	10.13	2.78	10.36	2.80	10.59	2.83	11.06	2.87	11.54	2.92
							33	9.03	2.75	9.48	2.80	9.94	2.85	10.17	2.87	10.40	2.89	10.87	2.94	11.35	2.99
							35	8.84	2.82	9.29	2.87	9.75	2.91	10.00	2.93	10.22	2.96	10.69	3.01	11.17	3.06
							37	8.65	2.89	9.10	2.93	9.56	2.98	9.79	3.00	10.03	3.03	10.50	3.08	10.98	3.12
							39	8.46	2.95	8.92	3.00	9.38	3.05	9.61	3.07	9.84	3.10	10.32	3.15	10.80	3.19
42	8.18	3.06	8.63	3.11	9.10	3.16	9.33	3.18	9.56	3.21	10.04	3.25	10.52	3.30							
44	7.99	3.13	8.45	3.18	8.91	3.23	9.14	3.25	9.38	3.28	9.86	3.33	10.34	3.37							
46	7.80	3.20	8.26	3.25	8.73	3.30	8.96	3.33	9.20	3.35	9.67	3.40	10.16	3.45							
2500	2500	2500	3500	3500	14500	145%	10	11.24	1.96	11.69	2.01	12.13	2.05	12.36	2.07	12.59	2.09	13.05	2.13	13.52	2.17
							12	11.05	2.02	11.49	2.06	11.94	2.10	12.17	2.12	12.40	2.14	12.86	2.19	13.33	2.23
							14	10.85	2.07	11.30	2.11	11.75	2.16	11.97	2.18	12.20	2.20	12.67	2.24	13.14	2.28
							16	10.66	2.13	11.10	2.17	11.55	2.21	11.78	2.23	12.01	2.25	12.48	2.30	12.95	2.34
							18	10.47	2.18	10.91	2.22	11.36	2.27	11.59	2.29	11.82	2.31	12.29	2.35	12.76	2.40
							20	10.27	2.24	10.72	2.28	11.17	2.32	11.40	2.35	11.63	2.37	12.10	2.41	12.57	2.45
							21	10.18	2.27	10.62	2.31	11.08	2.35	11.30	2.37	11.54	2.40	12.00	2.44	12.47	2.48
							23	9.98	2.32	10.43	2.37	10.88	2.41	11.11	2.43	11.35	2.46	11.81	2.50	12.29	2.54
							25	9.79	2.38	10.24	2.43	10.69	2.47	10.92	2.49	11.16	2.51	11.62	2.56	12.10	2.60
							27	9.60	2.44	10.05	2.49	10.50	2.53	10.73	2.55	10.97	2.58	11.44	2.62	11.91	2.66
							29	9.41	2.50	9.86	2.55	10.32	2.59	10.55	2.62	10.78	2.64	11.25	2.68	11.72	2.73
							31	9.22	2.57	9.67	2.61	10.13	2.66	10.36	2.68	10.59	2.70	11.06	2.75	11.54	2.79
							33	9.03	2.63	9.48	2.67	9.94	2.72	10.17	2.74	10.40	2.76	10.87	2.81	11.35	2.85
							35	8.84	2.69	9.29	2.74	9.75	2.78	10.00	2.80	10.22	2.83	10.69	2.87	11.17	2.92
							37	8.65	2.76	9.10	2.80	9.56	2.85	9.79	2.87	10.03	2.89	10.50	2.94	10.98	2.99
							39	8.46	2.82	8.92	2.87	9.38	2.92	9.61	2.94	9.84	2.96	10.32	3.01	10.80	3.05
42	8.18	2.92	8.63	2.97	9.10	3.02	9.33	3.04	9.56	3.06	10.04	3.11	10.52	3.16							
44	7.99	2.99	8.45	3.04	8.91	3.09	9.14	3.11	9.38	3.13	9.86	3.18	10.34	3.23							
46	7.80	3.06	8.26	3.11	8.73	3.16	8.96	3.18	9.20	3.20	9.67	3.25	10.16	3.30							

12. Capacity Table

Combination (Capacity Index)					Combination (Total)	Combination (%)	Outdoor Temperature (°C, DB)	Indoor Temperature(°C, WB)													
								14		16		18		19		20		22		24	
								TC(kW)	PI(kW)	TC(kW)	PI(kW)	TC(kW)	PI(kW)	TC(kW)	PI(kW)	TC(kW)	PI(kW)	TC(kW)	PI(kW)	TC(kW)	PI(kW)
2500	2500	2500	3500	5000	16000	160%	10	11.24	2.01	11.69	2.05	12.13	2.09	12.36	2.11	12.59	2.14	13.05	2.18	13.52	2.22
							12	11.05	2.06	11.49	2.10	11.94	2.15	12.17	2.17	12.40	2.19	12.86	2.23	13.33	2.28
							14	10.85	2.12	11.30	2.16	11.75	2.20	11.97	2.22	12.20	2.25	12.67	2.29	13.14	2.33
							16	10.66	2.17	11.10	2.21	11.55	2.26	11.78	2.28	12.01	2.30	12.48	2.35	12.95	2.39
							18	10.47	2.23	10.91	2.27	11.36	2.32	11.59	2.34	11.82	2.36	12.29	2.40	12.76	2.45
							20	10.27	2.29	10.72	2.33	11.17	2.37	11.40	2.40	11.63	2.42	12.10	2.46	12.57	2.51
							21	10.18	2.31	10.62	2.36	11.08	2.40	11.30	2.43	11.54	2.45	12.00	2.49	12.47	2.54
							23	9.98	2.37	10.43	2.42	10.88	2.46	11.11	2.49	11.35	2.51	11.81	2.55	12.29	2.60
							25	9.79	2.43	10.24	2.48	10.69	2.52	10.92	2.55	11.16	2.57	11.62	2.61	12.10	2.66
							27	9.60	2.50	10.05	2.54	10.50	2.59	10.73	2.61	10.97	2.63	11.44	2.68	11.91	2.72
							29	9.41	2.56	9.86	2.60	10.32	2.65	10.55	2.67	10.78	2.69	11.25	2.74	11.72	2.79
							31	9.22	2.62	9.67	2.67	10.13	2.71	10.36	2.74	10.59	2.76	11.06	2.80	11.54	2.85
							33	9.03	2.69	9.48	2.73	9.94	2.78	10.17	2.80	10.40	2.82	10.87	2.87	11.35	2.92
							35	8.84	2.75	9.29	2.80	9.75	2.84	10.00	2.86	10.22	2.89	10.69	2.94	11.17	2.98
							37	8.65	2.82	9.10	2.86	9.56	2.91	9.79	2.93	10.03	2.96	10.50	3.00	10.98	3.05
							39	8.46	2.88	8.92	2.93	9.38	2.98	9.61	3.00	9.84	3.02	10.32	3.07	10.80	3.12
42	8.18	2.99	8.63	3.03	9.10	3.08	9.33	3.10	9.56	3.13	10.04	3.18	10.52	3.22							
44	7.99	3.06	8.45	3.10	8.91	3.15	9.14	3.18	9.38	3.20	9.86	3.25	10.34	3.29							
46	7.80	3.13	8.26	3.17	8.73	3.22	8.96	3.25	9.20	3.27	9.67	3.32	10.16	3.37							
2500	2500	3500	3500	3500	15500	155%	10	11.24	2.00	11.69	2.04	12.13	2.08	12.36	2.11	12.59	2.13	13.05	2.17	13.52	2.21
							12	11.05	2.05	11.49	2.10	11.94	2.14	12.17	2.16	12.40	2.18	12.86	2.22	13.33	2.27
							14	10.85	2.11	11.30	2.15	11.75	2.19	11.97	2.22	12.20	2.24	12.67	2.28	13.14	2.32
							16	10.66	2.16	11.10	2.21	11.55	2.25	11.78	2.27	12.01	2.29	12.48	2.34	12.95	2.38
							18	10.47	2.22	10.91	2.26	11.36	2.31	11.59	2.33	11.82	2.35	12.29	2.39	12.76	2.44
							20	10.27	2.28	10.72	2.32	11.17	2.37	11.40	2.39	11.63	2.41	12.10	2.45	12.57	2.50
							21	10.18	2.31	10.62	2.35	11.08	2.39	11.30	2.42	11.54	2.44	12.00	2.48	12.47	2.53
							23	9.98	2.37	10.43	2.41	10.88	2.45	11.11	2.48	11.35	2.50	11.81	2.54	12.29	2.59
							25	9.79	2.43	10.24	2.47	10.69	2.52	10.92	2.54	11.16	2.56	11.62	2.60	12.10	2.65
							27	9.60	2.49	10.05	2.53	10.50	2.58	10.73	2.60	10.97	2.62	11.44	2.67	11.91	2.71
							29	9.41	2.55	9.86	2.59	10.32	2.64	10.55	2.66	10.78	2.68	11.25	2.73	11.72	2.78
							31	9.22	2.61	9.67	2.66	10.13	2.70	10.36	2.73	10.59	2.75	11.06	2.79	11.54	2.84
							33	9.03	2.68	9.48	2.72	9.94	2.77	10.17	2.79	10.40	2.81	10.87	2.86	11.35	2.91
							35	8.84	2.74	9.29	2.79	9.75	2.83	10.00	2.85	10.22	2.88	10.69	2.93	11.17	2.97
							37	8.65	2.81	9.10	2.85	9.56	2.90	9.79	2.92	10.03	2.95	10.50	2.99	10.98	3.04
							39	8.46	2.87	8.92	2.92	9.38	2.97	9.61	2.99	9.84	3.01	10.32	3.06	10.80	3.11
42	8.18	2.98	8.63	3.02	9.10	3.07	9.33	3.09	9.56	3.12	10.04	3.16	10.52	3.21							
44	7.99	3.05	8.45	3.09	8.91	3.14	9.14	3.16	9.38	3.19	9.86	3.24	10.34	3.28							
46	7.80	3.12	8.26	3.16	8.73	3.21	8.96	3.24	9.20	3.26	9.67	3.31	10.16	3.35							

12. Capacity Table

Combination (Capacity Index)					Combination (Total)	Combination (%)	Outdoor Temperature (°C, DB)	Indoor Temperature(°C, WB)													
								14		16		18		19		20		22		24	
								TC(kW)	PI(kW)	TC(kW)	PI(kW)	TC(kW)	PI(kW)	TC(kW)	PI(kW)	TC(kW)	PI(kW)	TC(kW)	PI(kW)	TC(kW)	PI(kW)
2500	2500	3500	3500	5000	17000	170%	10	11.24	2.05	11.69	2.09	12.13	2.14	12.36	2.16	12.59	2.18	13.05	2.22	13.52	2.27
							12	11.05	2.10	11.49	2.15	11.94	2.19	12.17	2.21	12.40	2.24	12.86	2.28	13.33	2.32
							14	10.85	2.16	11.30	2.20	11.75	2.25	11.97	2.27	12.20	2.29	12.67	2.34	13.14	2.38
							16	10.66	2.22	11.10	2.26	11.55	2.31	11.78	2.33	12.01	2.35	12.48	2.39	12.95	2.44
							18	10.47	2.27	10.91	2.32	11.36	2.36	11.59	2.39	11.82	2.41	12.29	2.45	12.76	2.50
							20	10.27	2.33	10.72	2.38	11.17	2.42	11.40	2.45	11.63	2.47	12.10	2.51	12.57	2.56
							21	10.18	2.36	10.62	2.41	11.08	2.45	11.30	2.48	11.54	2.50	12.00	2.54	12.47	2.59
							23	9.98	2.42	10.43	2.47	10.88	2.51	11.11	2.54	11.35	2.56	11.81	2.61	12.29	2.65
							25	9.79	2.49	10.24	2.53	10.69	2.58	10.92	2.60	11.16	2.62	11.62	2.67	12.10	2.71
							27	9.60	2.55	10.05	2.59	10.50	2.64	10.73	2.66	10.97	2.69	11.44	2.73	11.91	2.78
							29	9.41	2.61	9.86	2.66	10.32	2.70	10.55	2.73	10.78	2.75	11.25	2.80	11.72	2.84
							31	9.22	2.68	9.67	2.72	10.13	2.77	10.36	2.79	10.59	2.82	11.06	2.86	11.54	2.91
							33	9.03	2.74	9.48	2.79	9.94	2.84	10.17	2.86	10.40	2.88	10.87	2.93	11.35	2.98
							35	8.84	2.81	9.29	2.86	9.75	2.90	10.00	2.92	10.22	2.95	10.69	3.00	11.17	3.04
							37	8.65	2.88	9.10	2.92	9.56	2.97	9.79	2.99	10.03	3.02	10.50	3.07	10.98	3.11
							39	8.46	2.94	8.92	2.99	9.38	3.04	9.61	3.06	9.84	3.09	10.32	3.14	10.80	3.18
							42	8.18	3.05	8.63	3.10	9.10	3.15	9.33	3.17	9.56	3.19	10.04	3.24	10.52	3.29
44	7.99	3.12	8.45	3.17	8.91	3.22	9.14	3.24	9.38	3.27	9.86	3.31	10.34	3.36							
46	7.80	3.19	8.26	3.24	8.73	3.29	8.96	3.31	9.20	3.34	9.67	3.39	10.16	3.44							
2500	3500	3500	3500	3500	16500	165%	10	11.24	2.04	11.69	2.09	12.13	2.13	12.36	2.15	12.59	2.17	13.05	2.22	13.52	2.26
							12	11.05	2.10	11.49	2.14	11.94	2.18	12.17	2.21	12.40	2.23	12.86	2.27	13.33	2.32
							14	10.85	2.15	11.30	2.20	11.75	2.24	11.97	2.26	12.20	2.28	12.67	2.33	13.14	2.37
							16	10.66	2.21	11.10	2.25	11.55	2.30	11.78	2.32	12.01	2.34	12.48	2.39	12.95	2.43
							18	10.47	2.27	10.91	2.31	11.36	2.36	11.59	2.38	11.82	2.40	12.29	2.45	12.76	2.49
							20	10.27	2.33	10.72	2.37	11.17	2.42	11.40	2.44	11.63	2.46	12.10	2.51	12.57	2.55
							21	10.18	2.36	10.62	2.40	11.08	2.45	11.30	2.47	11.54	2.49	12.00	2.54	12.47	2.58
							23	9.98	2.42	10.43	2.46	10.88	2.51	11.11	2.53	11.35	2.55	11.81	2.60	12.29	2.64
							25	9.79	2.48	10.24	2.52	10.69	2.57	10.92	2.59	11.16	2.61	11.62	2.66	12.10	2.71
							27	9.60	2.54	10.05	2.58	10.50	2.63	10.73	2.65	10.97	2.68	11.44	2.72	11.91	2.77
							29	9.41	2.60	9.86	2.65	10.32	2.69	10.55	2.72	10.78	2.74	11.25	2.79	11.72	2.83
							31	9.22	2.67	9.67	2.71	10.13	2.76	10.36	2.78	10.59	2.81	11.06	2.85	11.54	2.90
							33	9.03	2.73	9.48	2.78	9.94	2.83	10.17	2.85	10.40	2.87	10.87	2.92	11.35	2.97
							35	8.84	2.80	9.29	2.85	9.75	2.89	10.00	2.91	10.22	2.94	10.69	2.99	11.17	3.03
							37	8.65	2.87	9.10	2.91	9.56	2.96	9.79	2.98	10.03	3.01	10.50	3.06	10.98	3.10
							39	8.46	2.93	8.92	2.98	9.38	3.03	9.61	3.05	9.84	3.08	10.32	3.13	10.80	3.17
							42	8.18	3.04	8.63	3.09	9.10	3.14	9.33	3.16	9.56	3.18	10.04	3.23	10.52	3.28
44	7.99	3.11	8.45	3.16	8.91	3.21	9.14	3.23	9.38	3.26	9.86	3.30	10.34	3.35							
46	7.80	3.18	8.26	3.23	8.73	3.28	8.96	3.30	9.20	3.33	9.67	3.38	10.16	3.43							

NOTE

- Cooling capacity is based on 27°CDB / 19°CWB (indoor temperature), 35°CDB (outdoor temperature).
- Heating capacity is based on 20°CDB (indoor temperature), 7°CDB/6°CWB (outdoor temperature).
- The above is the value for connecting with the following indoor units.
 - 2000, 2500, 3500, 5000, 6800W class : AR07TXFCAWKNEU, AR09TXFCAWKNEU, AR12TXFCAWKNEU, AR18TXEAAWKNEU, AR24TXEAAWKNEU
- Capacities are based on the following conditions:
 - Corresponding refrigerant piping length : 5m / - Level difference : 0m
- The total ability of connected a indoor unit is up to 17.3kW
- It is impossible to connect the indoor unit for one room only.
- This data is reference data for temperature capacity trend.

12. Capacity Table

12-6. AJ100TXJ5KG/EU

Heating

Combination (Capacity Index)				Combination (Total)	Combination (%)	Outdoor Temperature (°C,DB)	Indoor Temperature(°C, DB)															
							14		16		18		20		21		22		24			
							TC(kW)	PI(kW)	TC(kW)	PI(kW)	TC(kW)	PI(kW)	TC(kW)	PI(kW)	TC(kW)	PI(kW)	TC(kW)	PI(kW)	TC(kW)	PI(kW)		
2000				2000	20%	-15	1.26	0.72	1.22	0.73	1.18	0.74	1.17	0.74	1.15	0.74	1.13	0.75	1.11	0.76		
						-10	1.51	0.75	1.47	0.76	1.43	0.77	1.41	0.78	1.40	0.78	1.37	0.79	1.34	0.80		
						-5	1.76	0.79	1.71	0.80	1.67	0.81	1.66	0.82	1.64	0.82	1.61	0.83	1.58	0.84		
						0	2.01	0.83	1.96	0.84	1.92	0.85	1.90	0.86	1.88	0.86	1.85	0.87	1.82	0.88		
						2	2.11	0.84	2.06	0.85	2.02	0.87	2.00	0.87	1.98	0.88	1.95	0.89	1.92	0.89		
						7	2.31	0.87	2.26	0.88	2.21	0.90	2.20	0.90	2.17	0.91	2.14	0.92	2.11	0.92		
						10	2.51	0.90	2.46	0.91	2.41	0.93	2.39	0.93	2.37	0.94	2.33	0.95	2.30	0.96		
						15	2.76	0.94	2.71	0.95	2.66	0.96	2.64	0.97	2.61	0.97	2.57	0.99	2.54	0.99		
2500				2500	25%	-15	1.83	0.85	1.77	0.86	1.72	0.87	1.70	0.88	1.68	0.88	1.64	0.89	1.61	0.90		
						-10	2.19	0.90	2.13	0.91	2.08	0.92	2.05	0.93	2.03	0.93	1.99	0.94	1.95	0.95		
						-5	2.56	0.94	2.49	0.95	2.44	0.97	2.41	0.97	2.38	0.98	2.34	0.99	2.30	1.00		
						0	2.92	0.98	2.85	1.00	2.79	1.01	2.76	1.02	2.74	1.02	2.69	1.03	2.65	1.04		
						2	3.07	1.00	3.00	1.02	2.94	1.03	2.91	1.04	2.88	1.04	2.83	1.05	2.79	1.06		
						7	3.36	1.04	3.29	1.05	3.22	1.06	3.20	1.07	3.16	1.08	3.11	1.09	3.07	1.10		
						10	3.65	1.07	3.58	1.09	3.51	1.10	3.48	1.11	3.45	1.11	3.39	1.13	3.34	1.14		
						15	4.02	1.11	3.94	1.13	3.87	1.14	3.83	1.15	3.80	1.16	3.74	1.17	3.69	1.18		
3500				3500	35%	-15	2.29	1.02	2.22	1.03	2.15	1.05	2.13	1.05	2.10	1.06	2.05	1.07	2.01	1.08		
						-10	2.74	1.07	2.67	1.09	2.60	1.10	2.57	1.11	2.54	1.11	2.49	1.12	2.44	1.13		
						-5	3.20	1.12	3.12	1.14	3.04	1.16	3.01	1.16	2.98	1.17	2.92	1.18	2.88	1.19		
						0	3.65	1.18	3.57	1.19	3.49	1.21	3.46	1.22	3.42	1.22	3.36	1.24	3.31	1.25		
						2	3.83	1.20	3.75	1.21	3.67	1.23	3.63	1.24	3.60	1.25	3.54	1.26	3.48	1.27		
						7	4.20	1.24	4.11	1.26	4.03	1.27	4.00	1.28	3.95	1.29	3.89	1.30	3.83	1.32		
						10	4.56	1.28	4.47	1.30	4.38	1.32	4.35	1.32	4.31	1.33	4.24	1.35	4.18	1.36		
						15	5.02	1.33	4.92	1.35	4.83	1.37	4.79	1.38	4.75	1.39	4.68	1.40	4.62	1.41		
5000				5000	50%	-15	3.43	1.43	3.33	1.45	3.23	1.47	3.19	1.48	3.15	1.49	3.08	1.50	3.02	1.51		
						-10	4.11	1.51	4.00	1.53	3.90	1.55	3.85	1.56	3.81	1.57	3.73	1.58	3.67	1.59		
						-5	4.80	1.58	4.67	1.60	4.57	1.62	4.52	1.63	4.47	1.64	4.39	1.66	4.31	1.68		
						0	5.48	1.65	5.35	1.68	5.24	1.70	5.18	1.71	5.13	1.72	5.04	1.74	4.97	1.75		
						2	5.75	1.68	5.62	1.71	5.50	1.73	5.45	1.74	5.40	1.75	5.31	1.77	5.23	1.79		
						7	6.30	1.74	6.16	1.77	6.04	1.79	6.00	1.80	5.93	1.81	5.83	1.83	5.75	1.85		
						10	6.84	1.80	6.70	1.83	6.58	1.85	6.52	1.86	6.46	1.87	6.36	1.89	6.27	1.91		
						15	7.53	1.87	7.38	1.90	7.25	1.93	7.19	1.94	7.13	1.95	7.02	1.97	6.92	1.99		
6800				6800	68%	-15	4.47	1.87	4.33	1.90	4.20	1.92	4.14	1.93	4.09	1.94	4.00	1.96	3.92	1.98		
						-10	5.35	1.97	5.20	2.00	5.07	2.02	5.01	2.03	4.95	2.04	4.85	2.06	4.77	2.08		
						-5	6.23	2.06	6.08	2.09	5.94	2.12	5.87	2.13	5.81	2.15	5.70	2.17	5.61	2.19		
						0	7.12	2.16	6.96	2.19	6.81	2.22	6.74	2.23	6.67	2.25	6.56	2.27	6.45	2.29		
						2	7.47	2.20	7.31	2.23	7.15	2.26	7.08	2.27	7.02	2.29	6.90	2.31	6.79	2.33		
						7	8.19	2.27	8.01	2.31	7.85	2.34	7.80	2.35	7.71	2.37	7.58	2.39	7.47	2.41		
						10	8.90	2.35	8.72	2.39	8.55	2.42	8.47	2.43	8.40	2.45	8.27	2.47	8.15	2.50		
						15	9.79	2.44	9.60	2.48	9.43	2.51	9.34	2.53	9.27	2.55	9.13	2.57	9.00	2.60		

12. Capacity Table

Combination (Capacity Index)				Combination (Total)	Combination (%)	Outdoor Temperature (°C, DB)	Indoor Temperature(°C, DB)													
							14		16		18		20		21		22		24	
							TC(kW)	PI(kW)	TC(kW)	PI(kW)	TC(kW)	PI(kW)	TC(kW)	PI(kW)	TC(kW)	PI(kW)	TC(kW)	PI(kW)	TC(kW)	PI(kW)
2000	2000			4000	40%	-15	2.52	0.99	2.44	1.01	2.37	1.02	2.34	1.03	2.31	1.03	2.26	1.04	2.21	1.05
						-10	3.02	1.05	2.93	1.06	2.86	1.08	2.82	1.08	2.79	1.09	2.74	1.10	2.69	1.11
						-5	3.52	1.10	3.43	1.11	3.35	1.13	3.31	1.14	3.28	1.14	3.22	1.15	3.16	1.16
						0	4.02	1.15	3.92	1.17	3.84	1.18	3.80	1.19	3.76	1.20	3.70	1.21	3.64	1.22
						2	4.22	1.17	4.12	1.19	4.04	1.20	4.00	1.21	3.96	1.22	3.89	1.23	3.83	1.24
						7	4.62	1.21	4.52	1.23	4.43	1.24	4.40	1.25	4.35	1.26	4.28	1.27	4.21	1.28
						10	5.02	1.25	4.92	1.27	4.82	1.29	4.78	1.29	4.74	1.30	4.66	1.32	4.60	1.33
2000	2500			4500	45%	-15	3.15	1.21	3.05	1.23	2.96	1.24	2.92	1.25	2.89	1.26	2.82	1.27	2.77	1.28
						-10	3.77	1.27	3.67	1.29	3.57	1.31	3.53	1.32	3.49	1.32	3.42	1.34	3.36	1.35
						-5	4.40	1.33	4.29	1.35	4.19	1.37	4.14	1.38	4.10	1.39	4.02	1.40	3.96	1.41
						0	5.02	1.40	4.90	1.42	4.80	1.44	4.75	1.45	4.71	1.45	4.62	1.47	4.55	1.48
						2	5.27	1.42	5.15	1.44	5.05	1.46	5.00	1.47	4.95	1.48	4.86	1.49	4.79	1.51
						7	5.77	1.47	5.65	1.49	5.54	1.51	5.50	1.52	5.44	1.53	5.35	1.55	5.27	1.56
						10	6.27	1.52	6.15	1.54	6.03	1.56	5.98	1.57	5.92	1.58	5.83	1.60	5.75	1.61
2000	3500			5500	55%	-15	3.55	1.35	3.44	1.37	3.34	1.39	3.29	1.40	3.25	1.41	3.18	1.42	3.12	1.43
						-10	4.25	1.42	4.13	1.44	4.03	1.46	3.98	1.47	3.94	1.48	3.86	1.49	3.79	1.51
						-5	4.95	1.49	4.83	1.51	4.72	1.53	4.67	1.54	4.62	1.55	4.53	1.57	4.46	1.58
						0	5.66	1.56	5.53	1.59	5.41	1.61	5.36	1.62	5.30	1.63	5.21	1.64	5.13	1.66
						2	5.94	1.59	5.81	1.61	5.69	1.64	5.63	1.65	5.58	1.65	5.48	1.67	5.40	1.69
						7	6.51	1.65	6.37	1.67	6.24	1.69	6.20	1.70	6.13	1.71	6.03	1.73	5.94	1.75
						10	7.07	1.70	6.93	1.73	6.80	1.75	6.74	1.76	6.68	1.77	6.57	1.79	6.48	1.81
2000	5000			7000	70%	-15	4.69	1.78	4.55	1.81	4.42	1.83	4.36	1.84	4.30	1.85	4.20	1.87	4.12	1.88
						-10	5.62	1.87	5.47	1.90	5.33	1.93	5.26	1.94	5.21	1.95	5.10	1.97	5.01	1.98
						-5	6.55	1.97	6.39	2.00	6.24	2.02	6.17	2.03	6.11	2.05	5.99	2.07	5.90	2.08
						0	7.48	2.06	7.31	2.09	7.16	2.12	7.08	2.13	7.02	2.14	6.89	2.16	6.79	2.18
						2	7.86	2.09	7.68	2.13	7.52	2.15	7.45	2.17	7.38	2.18	7.25	2.20	7.14	2.22
						7	8.61	2.17	8.42	2.20	8.25	2.23	8.20	2.24	8.10	2.26	7.97	2.28	7.85	2.30
						10	9.35	2.24	9.16	2.27	8.99	2.30	8.91	2.32	8.83	2.33	8.69	2.36	8.57	2.38
2000	6800			8800	88%	-15	5.72	2.22	5.55	2.25	5.39	2.28	5.31	2.29	5.25	2.31	5.13	2.33	5.03	2.35
						-10	6.86	2.33	6.67	2.37	6.50	2.40	6.42	2.41	6.35	2.43	6.22	2.45	6.11	2.47
						-5	7.99	2.45	7.79	2.49	7.61	2.52	7.53	2.53	7.45	2.55	7.31	2.57	7.19	2.60
						0	9.13	2.56	8.92	2.60	8.73	2.64	8.64	2.65	8.56	2.67	8.41	2.70	8.28	2.72
						2	9.58	2.61	9.37	2.65	9.17	2.68	9.08	2.70	9.00	2.72	8.84	2.74	8.71	2.77
						7	10.49	2.70	10.27	2.74	10.07	2.78	10.00	2.79	9.88	2.81	9.72	2.84	9.58	2.87
						10	11.41	2.79	11.17	2.83	10.96	2.87	10.86	2.89	10.77	2.90	10.60	2.94	10.45	2.96
2500	2500			5000	50%	-15	3.78	1.45	3.66	1.47	3.55	1.49	3.51	1.50	3.46	1.50	3.38	1.52	3.32	1.53
						-10	4.53	1.52	4.40	1.55	4.29	1.57	4.24	1.57	4.19	1.58	4.10	1.60	4.03	1.61
						-5	5.27	1.60	5.14	1.62	5.02	1.64	4.97	1.65	4.92	1.66	4.83	1.68	4.75	1.69
						0	6.02	1.67	5.89	1.70	5.76	1.72	5.70	1.73	5.65	1.74	5.55	1.76	5.46	1.77
						2	6.32	1.70	6.18	1.73	6.05	1.75	5.99	1.76	5.94	1.77	5.84	1.79	5.75	1.81
						7	6.93	1.76	6.78	1.79	6.64	1.81	6.60	1.82	6.52	1.83	6.42	1.85	6.32	1.87
						10	7.53	1.82	7.37	1.85	7.24	1.87	7.17	1.88	7.11	1.89	7.00	1.92	6.90	1.93
15	8.28	1.89	8.12	1.92	7.98	1.95	7.91	1.96	7.84	1.97	7.72	1.99	7.62	2.01						

12. Capacity Table

Combination (Capacity Index)				Combination (Total)	Combination (%)	Outdoor Temperature (°C,DB)	Indoor Temperature(°C, DB)															
							14		16		18		20		21		22		24			
							TC(kW)	PI(kW)	TC(kW)	PI(kW)	TC(kW)	PI(kW)	TC(kW)	PI(kW)	TC(kW)	PI(kW)	TC(kW)	PI(kW)	TC(kW)	PI(kW)		
2500	3500			6000	60%	-15	4.18	1.60	4.05	1.62	3.93	1.64	3.88	1.65	3.83	1.66	3.74	1.68	3.67	1.69		
						-10	5.01	1.68	4.87	1.71	4.74	1.73	4.69	1.74	4.63	1.75	4.54	1.77	4.46	1.78		
						-5	5.83	1.76	5.69	1.79	5.56	1.81	5.50	1.83	5.44	1.84	5.34	1.85	5.25	1.87		
						0	6.66	1.85	6.51	1.87	6.37	1.90	6.31	1.91	6.25	1.92	6.14	1.94	6.04	1.96		
						2	7.00	1.88	6.84	1.91	6.70	1.93	6.63	1.95	6.57	1.96	6.46	1.98	6.36	1.99		
						7	7.66	1.94	7.50	1.97	7.35	2.00	7.30	2.01	7.22	2.02	7.10	2.05	6.99	2.07		
						10	8.33	2.01	8.16	2.04	8.00	2.07	7.93	2.08	7.86	2.09	7.74	2.12	7.63	2.14		
						15	9.16	2.09	8.98	2.12	8.82	2.15	8.75	2.16	8.67	2.18	8.54	2.20	8.42	2.22		
2500	5000			7500	75%	-15	5.32	2.06	5.16	2.09	5.01	2.12	4.94	2.13	4.88	2.14	4.77	2.16	4.68	2.18		
						-10	6.38	2.17	6.20	2.20	6.04	2.23	5.97	2.24	5.90	2.25	5.78	2.28	5.68	2.29		
						-5	7.43	2.27	7.25	2.31	7.08	2.34	7.00	2.35	6.93	2.37	6.80	2.39	6.69	2.41		
						0	8.49	2.38	8.29	2.42	8.12	2.45	8.03	2.46	7.96	2.48	7.82	2.50	7.70	2.52		
						2	8.91	2.42	8.71	2.46	8.53	2.49	8.45	2.51	8.37	2.52	8.22	2.55	8.10	2.57		
						7	9.76	2.51	9.55	2.54	9.36	2.58	9.30	2.59	9.19	2.61	9.04	2.64	8.91	2.66		
						10	10.61	2.59	10.39	2.63	10.20	2.66	10.10	2.68	10.02	2.70	9.86	2.73	9.72	2.75		
						15	11.67	2.69	11.44	2.73	11.24	2.77	11.14	2.79	11.05	2.81	10.88	2.84	10.73	2.86		
2500	6800			9300	93%	-15	6.07	2.32	5.88	2.36	5.71	2.39	5.63	2.40	5.56	2.41	5.44	2.44	5.33	2.46		
						-10	7.27	2.44	7.07	2.48	6.89	2.51	6.81	2.53	6.73	2.54	6.59	2.57	6.48	2.59		
						-5	8.47	2.56	8.26	2.60	8.07	2.64	7.98	2.65	7.90	2.67	7.75	2.69	7.62	2.72		
						0	9.68	2.68	9.45	2.72	9.25	2.76	9.16	2.78	9.07	2.79	8.91	2.82	8.77	2.85		
						2	10.16	2.73	9.93	2.77	9.72	2.81	9.63	2.83	9.54	2.84	9.37	2.87	9.23	2.90		
						7	11.12	2.83	10.89	2.87	10.67	2.91	10.60	2.92	10.48	2.94	10.30	2.97	10.15	3.00		
						10	12.09	2.92	11.84	2.96	11.62	3.00	11.52	3.02	11.42	3.04	11.24	3.07	11.08	3.10		
						15	13.30	3.04	13.04	3.08	12.81	3.12	12.70	3.14	12.59	3.16	12.40	3.20	12.23	3.23		
3500	3500			7000	70%	-15	4.58	1.74	4.44	1.77	4.31	1.79	4.25	1.80	4.20	1.81	4.10	1.83	4.02	1.84		
						-10	5.49	1.83	5.33	1.86	5.20	1.88	5.14	1.89	5.08	1.91	4.97	1.92	4.89	1.94		
						-5	6.39	1.92	6.23	1.95	6.09	1.98	6.02	1.99	5.96	2.00	5.85	2.02	5.75	2.04		
						0	7.30	2.01	7.13	2.04	6.98	2.07	6.91	2.08	6.84	2.09	6.72	2.12	6.62	2.13		
						2	7.67	2.05	7.49	2.08	7.34	2.11	7.27	2.12	7.20	2.13	7.07	2.15	6.97	2.17		
						7	8.40	2.12	8.22	2.15	8.05	2.18	8.00	2.19	7.91	2.21	7.78	2.23	7.66	2.25		
						10	9.12	2.19	8.94	2.22	8.77	2.25	8.69	2.27	8.62	2.28	8.48	2.30	8.36	2.33		
						15	10.04	2.28	9.84	2.31	9.67	2.34	9.58	2.36	9.51	2.37	9.36	2.40	9.23	2.42		
3500	5000			8500	85%	-15	5.72	2.17	5.55	2.20	5.39	2.23	5.31	2.24	5.25	2.26	5.13	2.28	5.03	2.30		
						-10	6.86	2.28	6.67	2.32	6.50	2.35	6.42	2.36	6.35	2.38	6.22	2.40	6.11	2.42		
						-5	7.99	2.40	7.79	2.43	7.61	2.46	7.53	2.48	7.45	2.49	7.31	2.52	7.19	2.54		
						0	9.13	2.51	8.92	2.55	8.73	2.58	8.64	2.60	8.56	2.61	8.41	2.64	8.28	2.66		
						2	9.58	2.55	9.37	2.59	9.17	2.63	9.08	2.64	9.00	2.66	8.84	2.68	8.71	2.71		
						7	10.49	2.64	10.27	2.68	10.07	2.72	10.00	2.73	9.88	2.75	9.72	2.78	9.58	2.80		
						10	11.41	2.73	11.17	2.77	10.96	2.81	10.86	2.83	10.77	2.84	10.60	2.87	10.45	2.90		
						15	12.55	2.84	12.31	2.88	12.08	2.92	11.98	2.94	11.88	2.96	11.70	2.99	11.54	3.02		
3500	6800			10300	103%	-15	6.07	2.33	5.88	2.36	5.71	2.39	5.63	2.41	5.56	2.42	5.44	2.45	5.33	2.46		
						-10	7.27	2.45	7.07	2.49	6.89	2.52	6.81	2.54	6.73	2.55	6.59	2.57	6.48	2.60		
						-5	8.47	2.57	8.26	2.61	8.07	2.65	7.98	2.66	7.90	2.68	7.75	2.70	7.62	2.73		
						0	9.68	2.69	9.45	2.73	9.25	2.77	9.16	2.79	9.07	2.80	8.91	2.83	8.77	2.86		
						2	10.16	2.74	9.93	2.78	9.72	2.82	9.63	2.84	9.54	2.85	9.37	2.88	9.23	2.91		
						7	11.12	2.84	10.89	2.88	10.67	2.92	10.60	2.93	10.48	2.95	10.30	2.98	10.15	3.01		
						10	12.09	2.93	11.84	2.97	11.62	3.01	11.52	3.03	11.42	3.05	11.24	3.08	11.08	3.11		
						15	13.30	3.05	13.04	3.09	12.81	3.13	12.70	3.15	12.59	3.17	12.40	3.21	12.23	3.24		

12. Capacity Table

Combination (Capacity Index)				Combination (Total)	Combination (%)	Outdoor Temperature (°C, DB)	Indoor Temperature(°C, DB)													
							14		16		18		20		21		22		24	
							TC(kW)	PI(kW)	TC(kW)	PI(kW)	TC(kW)	PI(kW)	TC(kW)	PI(kW)	TC(kW)	PI(kW)	TC(kW)	PI(kW)	TC(kW)	PI(kW)
5000	5000			10000	100%	-15	6.07	2.32	5.88	2.36	5.71	2.39	5.63	2.40	5.56	2.41	5.44	2.44	5.33	2.46
						-10	7.27	2.44	7.07	2.48	6.89	2.51	6.81	2.53	6.73	2.54	6.59	2.57	6.48	2.59
						-5	8.47	2.56	8.26	2.60	8.07	2.64	7.98	2.65	7.90	2.67	7.75	2.69	7.62	2.72
						0	9.68	2.68	9.45	2.72	9.25	2.76	9.16	2.78	9.07	2.79	8.91	2.82	8.77	2.85
						2	10.16	2.73	9.93	2.77	9.72	2.81	9.63	2.83	9.54	2.84	9.37	2.87	9.23	2.90
						7	11.12	2.83	10.89	2.87	10.67	2.91	10.60	2.92	10.48	2.94	10.30	2.97	10.15	3.00
						10	12.09	2.92	11.84	2.96	11.62	3.00	11.52	3.02	11.42	3.04	11.24	3.07	11.08	3.10
5000	6800			11800	118%	-15	6.07	2.34	5.88	2.37	5.71	2.40	5.63	2.42	5.56	2.43	5.44	2.45	5.33	2.47
						-10	7.27	2.46	7.07	2.50	6.89	2.53	6.81	2.54	6.73	2.56	6.59	2.58	6.48	2.61
						-5	8.47	2.58	8.26	2.62	8.07	2.65	7.98	2.67	7.90	2.69	7.75	2.71	7.62	2.74
						0	9.68	2.70	9.45	2.74	9.25	2.78	9.16	2.80	9.07	2.81	8.91	2.84	8.77	2.87
						2	10.16	2.75	9.93	2.79	9.72	2.83	9.63	2.85	9.54	2.86	9.37	2.89	9.23	2.92
						7	11.12	2.84	10.89	2.89	10.67	2.93	10.60	2.94	10.48	2.96	10.30	2.99	10.15	3.02
						10	12.09	2.94	11.84	2.98	11.62	3.02	11.52	3.04	11.42	3.06	11.24	3.09	11.08	3.12
6800	6800			13600	136%	-15	6.07	2.32	5.88	2.36	5.71	2.39	5.63	2.40	5.56	2.41	5.44	2.44	5.33	2.46
						-10	7.27	2.44	7.07	2.48	6.89	2.51	6.81	2.53	6.73	2.54	6.59	2.57	6.48	2.59
						-5	8.47	2.56	8.26	2.60	8.07	2.64	7.98	2.65	7.90	2.67	7.75	2.69	7.62	2.72
						0	9.68	2.68	9.45	2.72	9.25	2.76	9.16	2.78	9.07	2.79	8.91	2.82	8.77	2.85
						2	10.16	2.73	9.93	2.77	9.72	2.81	9.63	2.83	9.54	2.84	9.37	2.87	9.23	2.90
						7	11.12	2.83	10.89	2.87	10.67	2.91	10.60	2.92	10.48	2.94	10.30	2.97	10.15	3.00
						10	12.09	2.92	11.84	2.96	11.62	3.00	11.52	3.02	11.42	3.04	11.24	3.07	11.08	3.10
2000	2000	2000		6000	60%	-15	3.78	1.37	3.66	1.39	3.55	1.41	3.51	1.41	3.46	1.42	3.38	1.44	3.32	1.45
						-10	4.53	1.44	4.40	1.46	4.29	1.48	4.24	1.49	4.19	1.50	4.10	1.51	4.03	1.52
						-5	5.27	1.51	5.14	1.53	5.02	1.55	4.97	1.56	4.92	1.57	4.83	1.59	4.75	1.60
						0	6.02	1.58	5.89	1.60	5.76	1.63	5.70	1.64	5.65	1.64	5.55	1.66	5.46	1.68
						2	6.32	1.61	6.18	1.63	6.05	1.65	5.99	1.66	5.94	1.67	5.84	1.69	5.75	1.71
						7	6.93	1.66	6.78	1.69	6.64	1.71	6.60	1.72	6.52	1.73	6.42	1.75	6.32	1.77
						10	7.53	1.72	7.37	1.75	7.24	1.77	7.17	1.78	7.11	1.79	7.00	1.81	6.90	1.83
2000	2000	2500		6500	65%	-15	4.41	1.61	4.27	1.64	4.15	1.66	4.09	1.67	4.04	1.68	3.95	1.69	3.87	1.71
						-10	5.28	1.70	5.13	1.72	5.00	1.75	4.94	1.76	4.89	1.77	4.79	1.78	4.70	1.80
						-5	6.15	1.78	6.00	1.81	5.86	1.83	5.80	1.84	5.74	1.85	5.63	1.87	5.54	1.89
						0	7.03	1.87	6.87	1.89	6.72	1.92	6.65	1.93	6.59	1.94	6.47	1.96	6.37	1.98
						2	7.38	1.90	7.21	1.93	7.06	1.95	6.99	1.96	6.93	1.98	6.81	2.00	6.71	2.01
						7	8.08	1.96	7.91	1.99	7.75	2.02	7.70	2.03	7.61	2.04	7.49	2.07	7.38	2.09
						10	8.78	2.03	8.60	2.06	8.44	2.09	8.37	2.10	8.29	2.11	8.16	2.14	8.05	2.16
2000	2000	3500		7500	75%	-15	4.81	1.76	4.66	1.78	4.52	1.81	4.46	1.82	4.41	1.83	4.31	1.84	4.22	1.86
						-10	5.76	1.85	5.60	1.88	5.46	1.90	5.39	1.91	5.33	1.92	5.22	1.94	5.13	1.96
						-5	6.71	1.94	6.54	1.97	6.39	2.00	6.32	2.01	6.26	2.02	6.14	2.04	6.04	2.06
						0	7.67	2.03	7.49	2.06	7.33	2.09	7.26	2.10	7.19	2.11	7.06	2.14	6.95	2.15
						2	8.05	2.07	7.87	2.10	7.71	2.13	7.63	2.14	7.56	2.15	7.43	2.17	7.32	2.19
						7	8.81	2.14	8.63	2.17	8.46	2.20	8.40	2.21	8.30	2.23	8.17	2.25	8.05	2.27
						10	9.58	2.21	9.39	2.24	9.21	2.27	9.13	2.29	9.05	2.30	8.90	2.33	8.78	2.35
15	10.54	2.30	10.34	2.33	10.15	2.36	10.06	2.38	9.98	2.39	9.83	2.42	9.69	2.44						

12. Capacity Table

Combination (Capacity Index)				Combination (Total)	Combination (%)	Outdoor Temperature (°C,DB)	Indoor Temperature(°C, DB)															
							14		16		18		20		21		22		24			
							TC(kW)	PI(kW)	TC(kW)	PI(kW)	TC(kW)	PI(kW)	TC(kW)	PI(kW)	TC(kW)	PI(kW)	TC(kW)	PI(kW)	TC(kW)	PI(kW)		
2000	2000	5000		9000	90%	-15	5.55	2.15	5.37	2.19	5.22	2.21	5.15	2.23	5.08	2.24	4.97	2.26	4.87	2.28		
						-10	6.64	2.27	6.46	2.30	6.30	2.33	6.22	2.34	6.15	2.36	6.03	2.38	5.92	2.40		
						-5	7.74	2.38	7.55	2.41	7.37	2.45	7.29	2.46	7.22	2.48	7.08	2.50	6.97	2.52		
						0	8.85	2.49	8.64	2.53	8.46	2.56	8.37	2.58	8.29	2.59	8.14	2.62	8.02	2.64		
						2	9.29	2.53	9.08	2.57	8.89	2.61	8.80	2.62	8.72	2.64	8.57	2.67	8.44	2.69		
						7	10.17	2.62	9.95	2.66	9.75	2.70	9.69	2.71	9.58	2.73	9.42	2.76	9.28	2.78		
						10	11.05	2.71	10.83	2.75	10.62	2.79	10.53	2.80	10.44	2.82	10.27	2.85	10.13	2.88		
						15	12.16	2.82	11.92	2.86	11.71	2.90	11.61	2.92	11.51	2.94	11.34	2.97	11.18	3.00		
2000	2000	6800		10800	108%	-15	5.64	2.17	5.47	2.20	5.31	2.23	5.24	2.24	5.17	2.26	5.06	2.28	4.96	2.30		
						-10	6.76	2.28	6.57	2.32	6.41	2.35	6.33	2.36	6.26	2.38	6.13	2.40	6.02	2.42		
						-5	7.88	2.40	7.68	2.43	7.50	2.46	7.42	2.48	7.35	2.49	7.21	2.52	7.09	2.54		
						0	9.00	2.51	8.79	2.55	8.60	2.58	8.52	2.60	8.44	2.61	8.29	2.64	8.16	2.66		
						2	9.45	2.55	9.24	2.59	9.04	2.63	8.96	2.64	8.87	2.66	8.72	2.68	8.59	2.71		
						7	10.35	2.64	10.13	2.68	9.93	2.72	9.86	2.73	9.75	2.75	9.59	2.78	9.44	2.80		
						10	11.25	2.73	11.02	2.77	10.81	2.81	10.71	2.83	10.62	2.84	10.45	2.87	10.30	2.90		
						15	12.37	2.84	12.13	2.88	11.91	2.92	11.81	2.94	11.72	2.96	11.54	2.99	11.38	3.02		
2000	2500	2500		7000	70%	-15	5.04	1.89	4.88	1.92	4.74	1.95	4.68	1.96	4.62	1.97	4.51	1.99	4.43	2.00		
						-10	6.03	1.99	5.87	2.02	5.72	2.05	5.65	2.06	5.59	2.07	5.47	2.09	5.38	2.11		
						-5	7.03	2.09	6.86	2.12	6.70	2.15	6.62	2.16	6.56	2.17	6.43	2.20	6.33	2.21		
						0	8.03	2.19	7.85	2.22	7.68	2.25	7.60	2.26	7.53	2.28	7.40	2.30	7.28	2.32		
						2	8.43	2.23	8.24	2.26	8.07	2.29	7.99	2.30	7.92	2.32	7.78	2.34	7.66	2.36		
						7	9.23	2.30	9.04	2.34	8.86	2.37	8.80	2.38	8.70	2.40	8.55	2.42	8.43	2.45		
						10	10.04	2.38	9.83	2.42	9.65	2.45	9.56	2.46	9.48	2.48	9.33	2.50	9.20	2.53		
						15	11.04	2.48	10.83	2.51	10.63	2.55	10.54	2.56	10.46	2.58	10.30	2.61	10.15	2.63		
2000	2500	3500		8000	80%	-15	5.44	2.00	5.27	2.03	5.12	2.06	5.05	2.07	4.98	2.08	4.87	2.10	4.78	2.12		
						-10	6.51	2.11	6.33	2.14	6.17	2.17	6.10	2.18	6.03	2.19	5.91	2.21	5.80	2.23		
						-5	7.59	2.21	7.40	2.25	7.23	2.27	7.15	2.29	7.08	2.30	6.95	2.32	6.83	2.35		
						0	8.67	2.32	8.47	2.35	8.29	2.38	8.21	2.40	8.13	2.41	7.99	2.43	7.86	2.46		
						2	9.10	2.36	8.90	2.39	8.71	2.42	8.63	2.44	8.55	2.45	8.40	2.48	8.27	2.50		
						7	9.97	2.44	9.76	2.47	9.56	2.51	9.50	2.52	9.39	2.54	9.24	2.57	9.10	2.59		
						10	10.84	2.52	10.62	2.56	10.41	2.59	10.32	2.61	10.23	2.62	10.07	2.65	9.93	2.68		
						15	11.92	2.62	11.69	2.66	11.48	2.70	11.38	2.71	11.29	2.73	11.12	2.76	10.96	2.79		
2000	2500	5000		9500	95%	-15	5.60	2.12	5.43	2.15	5.27	2.18	5.20	2.19	5.14	2.21	5.02	2.23	4.92	2.25		
						-10	6.71	2.23	6.53	2.27	6.36	2.30	6.29	2.31	6.21	2.32	6.09	2.35	5.98	2.37		
						-5	7.82	2.34	7.63	2.38	7.45	2.41	7.37	2.42	7.29	2.44	7.16	2.46	7.04	2.48		
						0	8.94	2.45	8.73	2.49	8.54	2.52	8.46	2.54	8.38	2.55	8.23	2.58	8.10	2.60		
						2	9.38	2.50	9.17	2.53	8.98	2.57	8.89	2.58	8.81	2.60	8.66	2.63	8.53	2.65		
						7	10.27	2.58	10.05	2.62	9.86	2.66	9.79	2.67	9.68	2.69	9.52	2.72	9.38	2.74		
						10	11.17	2.67	10.94	2.71	10.73	2.75	10.64	2.76	10.54	2.78	10.38	2.81	10.23	2.84		
						15	12.28	2.78	12.05	2.82	11.83	2.86	11.73	2.87	11.63	2.89	11.45	2.92	11.30	2.95		
2000	2500	6800		11300	113%	-15	5.71	2.17	5.53	2.20	5.37	2.23	5.30	2.24	5.23	2.26	5.11	2.28	5.01	2.30		
						-10	6.84	2.28	6.65	2.32	6.48	2.35	6.40	2.36	6.33	2.38	6.20	2.40	6.09	2.42		
						-5	7.97	2.40	7.77	2.43	7.59	2.46	7.51	2.48	7.43	2.49	7.29	2.52	7.17	2.54		
						0	9.10	2.51	8.89	2.55	8.70	2.58	8.61	2.60	8.53	2.61	8.38	2.64	8.25	2.66		
						2	9.55	2.55	9.34	2.59	9.15	2.63	9.06	2.64	8.97	2.66	8.82	2.68	8.68	2.71		
						7	10.46	2.64	10.24	2.68	10.04	2.72	9.97	2.73	9.85	2.75	9.69	2.78	9.55	2.80		
						10	11.37	2.73	11.14	2.77	10.93	2.81	10.83	2.83	10.74	2.84	10.57	2.87	10.42	2.90		
						15	12.51	2.84	12.27	2.88	12.05	2.92	11.94	2.94	11.85	2.96	11.66	2.99	11.50	3.02		

12. Capacity Table

Combination (Capacity Index)				Combination (Total)	Combination (%)	Outdoor Temperature (°C, DB)	Indoor Temperature(°C, DB)													
							14		16		18		20		21		22		24	
							TC(kW)	PI(kW)	TC(kW)	PI(kW)	TC(kW)	PI(kW)	TC(kW)	PI(kW)	TC(kW)	PI(kW)	TC(kW)	PI(kW)	TC(kW)	PI(kW)
2000	3500	3500		9000	90%	-15	5.54	2.15	5.56	2.18	5.21	2.21	5.14	2.22	5.07	2.23	4.96	2.25	4.86	2.27
						-10	6.63	2.26	6.45	2.29	6.28	2.32	6.21	2.34	6.14	2.35	6.01	2.37	5.91	2.39
						-5	7.73	2.37	7.53	2.41	7.36	2.44	7.28	2.45	7.20	2.47	7.07	2.49	6.95	2.51
						0	8.83	2.48	8.62	2.52	8.44	2.55	8.35	2.57	8.27	2.58	8.13	2.61	8.00	2.63
						2	9.27	2.53	9.06	2.56	8.87	2.60	8.78	2.61	8.70	2.63	8.55	2.66	8.42	2.68
						7	10.15	2.61	9.93	2.65	9.73	2.69	9.67	2.70	9.56	2.72	9.40	2.75	9.26	2.77
						10	11.03	2.70	10.81	2.74	10.60	2.78	10.51	2.79	10.42	2.81	10.25	2.84	10.10	2.87
2000	3500	5000		10500	105%	-15	5.64	2.16	5.47	2.19	5.31	2.22	5.24	2.24	5.17	2.25	5.06	2.27	4.96	2.29
						-10	6.76	2.28	6.57	2.31	6.41	2.34	6.33	2.35	6.26	2.37	6.13	2.39	6.02	2.41
						-5	7.88	2.39	7.68	2.42	7.50	2.46	7.42	2.47	7.35	2.48	7.21	2.51	7.09	2.53
						0	9.00	2.50	8.79	2.54	8.60	2.57	8.52	2.59	8.44	2.60	8.29	2.63	8.16	2.65
						2	9.45	2.54	9.24	2.58	9.04	2.62	8.96	2.63	8.87	2.65	8.72	2.67	8.59	2.70
						7	10.35	2.63	10.13	2.67	9.93	2.71	9.86	2.72	9.75	2.74	9.59	2.77	9.44	2.79
						10	11.25	2.72	11.02	2.76	10.81	2.80	10.71	2.82	10.62	2.83	10.45	2.86	10.30	2.89
2000	3500	6800		12300	123%	-15	5.75	2.21	5.57	2.24	5.41	2.27	5.33	2.29	5.27	2.30	5.15	2.32	5.05	2.34
						-10	6.88	2.33	6.69	2.36	6.52	2.39	6.45	2.41	6.37	2.42	6.24	2.44	6.13	2.46
						-5	8.02	2.44	7.82	2.48	7.64	2.51	7.56	2.52	7.48	2.54	7.34	2.56	7.22	2.59
						0	9.16	2.55	8.95	2.59	8.76	2.63	8.67	2.64	8.59	2.66	8.44	2.69	8.31	2.71
						2	9.62	2.60	9.41	2.64	9.21	2.67	9.12	2.69	9.03	2.71	8.88	2.73	8.74	2.76
						7	10.54	2.69	10.31	2.73	10.11	2.77	10.04	2.78	9.92	2.80	9.76	2.83	9.62	2.86
						10	11.45	2.78	11.22	2.82	11.01	2.86	10.91	2.88	10.81	2.89	10.64	2.93	10.49	2.95
2000	5000	5000		12000	120%	-15	5.76	2.21	5.58	2.24	5.42	2.27	5.35	2.29	5.28	2.30	5.16	2.32	5.06	2.34
						-10	6.90	2.33	6.71	2.36	6.54	2.39	6.46	2.41	6.39	2.42	6.26	2.44	6.15	2.46
						-5	8.04	2.44	7.84	2.48	7.66	2.51	7.57	2.52	7.50	2.54	7.35	2.56	7.23	2.59
						0	9.18	2.55	8.97	2.59	8.78	2.63	8.69	2.64	8.61	2.66	8.46	2.69	8.33	2.71
						2	9.64	2.60	9.42	2.64	9.23	2.67	9.14	2.69	9.05	2.71	8.90	2.73	8.76	2.76
						7	10.56	2.69	10.33	2.73	10.13	2.77	10.06	2.78	9.94	2.80	9.78	2.83	9.64	2.86
						10	11.47	2.78	11.24	2.82	11.03	2.86	10.93	2.88	10.84	2.89	10.66	2.93	10.51	2.95
2000	5000	6800		13800	138%	-15	6.19	2.29	5.99	2.32	5.82	2.35	5.74	2.37	5.67	2.38	5.54	2.40	5.44	2.42
						-10	7.41	2.41	7.21	2.45	7.02	2.48	6.94	2.49	6.86	2.51	6.72	2.53	6.60	2.55
						-5	8.64	2.53	8.42	2.57	8.23	2.60	8.14	2.62	8.05	2.63	7.90	2.66	7.77	2.68
						0	9.87	2.65	9.64	2.69	9.43	2.72	9.34	2.74	9.25	2.75	9.09	2.78	8.95	2.81
						2	10.36	2.69	10.13	2.73	9.92	2.77	9.82	2.79	9.73	2.80	9.56	2.83	9.42	2.86
						7	11.34	2.79	11.10	2.83	10.88	2.87	10.81	2.88	10.68	2.90	10.51	2.93	10.35	2.96
						10	12.33	2.88	12.08	2.92	11.85	2.96	11.74	2.98	11.64	3.00	11.46	3.03	11.30	3.06
2000	6800	6800		15600	156%	-15	6.30	2.35	6.10	2.38	5.92	2.41	5.85	2.43	5.77	2.44	5.64	2.46	5.53	2.48
						-10	7.54	2.47	7.33	2.50	7.15	2.54	7.06	2.55	6.98	2.57	6.84	2.59	6.72	2.61
						-5	8.79	2.59	8.57	2.63	8.37	2.66	8.28	2.68	8.20	2.69	8.04	2.72	7.91	2.75
						0	10.04	2.71	9.81	2.75	9.60	2.79	9.50	2.80	9.41	2.82	9.25	2.85	9.10	2.88
						2	10.54	2.76	10.30	2.80	10.09	2.84	9.99	2.85	9.90	2.87	9.73	2.90	9.58	2.93
						7	11.54	2.85	11.30	2.90	11.07	2.94	11.00	2.95	10.87	2.97	10.69	3.00	10.54	3.03
						10	12.55	2.95	12.29	2.99	12.06	3.03	11.95	3.05	11.85	3.07	11.66	3.10	11.49	3.13

12. Capacity Table

Combination (Capacity Index)				Combination (Total)	Combination (%)	Outdoor Temperature (°C,DB)	Indoor Temperature(°C, DB)															
							14		16		18		20		21		22		24			
							TC(kW)	PI(kW)	TC(kW)	PI(kW)	TC(kW)	PI(kW)	TC(kW)	PI(kW)	TC(kW)	PI(kW)	TC(kW)	PI(kW)	TC(kW)	PI(kW)		
2500	2500	2500		7500	75%	-15	5.51	2.11	5.34	2.14	5.19	2.17	5.12	2.18	5.05	2.19	4.94	2.21	4.84	2.23		
						-10	6.60	2.22	6.42	2.25	6.26	2.28	6.18	2.29	6.11	2.31	5.99	2.33	5.88	2.35		
						-5	7.70	2.33	7.50	2.36	7.33	2.39	7.25	2.41	7.18	2.42	7.04	2.44	6.93	2.47		
						0	8.79	2.44	8.59	2.47	8.40	2.50	8.32	2.52	8.24	2.53	8.09	2.56	7.97	2.58		
						2	9.23	2.48	9.02	2.52	8.83	2.55	8.75	2.56	8.67	2.58	8.52	2.61	8.39	2.63		
						7	10.11	2.56	9.89	2.60	9.69	2.64	9.63	2.65	9.52	2.67	9.36	2.70	9.22	2.72		
						10	10.98	2.65	10.76	2.69	10.56	2.73	10.46	2.74	10.37	2.76	10.21	2.79	10.06	2.81		
						15	12.08	2.76	11.85	2.80	11.64	2.84	11.54	2.85	11.44	2.87	11.27	2.90	11.11	2.93		
2500	2500	3500		8500	85%	-15	5.55	2.04	5.38	2.07	5.22	2.09	5.15	2.10	5.09	2.12	4.97	2.14	4.88	2.15		
						-10	6.65	2.14	6.47	2.17	6.30	2.20	6.23	2.22	6.16	2.23	6.03	2.25	5.93	2.27		
						-5	7.75	2.25	7.56	2.28	7.38	2.31	7.30	2.32	7.23	2.34	7.09	2.36	6.98	2.38		
						0	8.85	2.35	8.65	2.39	8.46	2.42	8.38	2.43	8.30	2.45	8.15	2.47	8.03	2.50		
						2	9.30	2.39	9.09	2.43	8.90	2.46	8.81	2.48	8.73	2.49	8.58	2.52	8.45	2.54		
						7	10.18	2.48	9.96	2.51	9.76	2.55	9.70	2.56	9.59	2.58	9.43	2.61	9.29	2.63		
						10	11.06	2.56	10.84	2.60	10.63	2.63	10.54	2.65	10.45	2.67	10.28	2.69	10.14	2.72		
						15	12.17	2.66	11.94	2.70	11.72	2.74	11.62	2.76	11.53	2.77	11.35	2.80	11.19	2.83		
2500	2500	5000		10000	100%	-15	5.66	2.19	5.48	2.23	5.33	2.26	5.26	2.27	5.19	2.28	5.07	2.30	4.97	2.32		
						-10	6.78	2.31	6.59	2.34	6.43	2.37	6.35	2.39	6.28	2.40	6.15	2.43	6.04	2.45		
						-5	7.90	2.42	7.71	2.46	7.53	2.49	7.45	2.51	7.37	2.52	7.23	2.55	7.11	2.57		
						0	9.03	2.54	8.82	2.57	8.63	2.61	8.54	2.62	8.46	2.64	8.31	2.67	8.18	2.69		
						2	9.48	2.58	9.26	2.62	9.07	2.65	8.98	2.67	8.90	2.69	8.75	2.71	8.61	2.74		
						7	10.38	2.67	10.16	2.71	9.96	2.75	9.89	2.76	9.78	2.78	9.61	2.81	9.47	2.84		
						10	11.28	2.76	11.05	2.80	10.84	2.84	10.74	2.86	10.65	2.87	10.48	2.90	10.33	2.93		
						15	12.41	2.87	12.17	2.91	11.95	2.95	11.85	2.97	11.75	2.99	11.57	3.02	11.41	3.05		
2500	2500	6800		11800	118%	-15	6.10	2.24	5.91	2.28	5.74	2.30	5.66	2.32	5.59	2.33	5.46	2.35	5.36	2.37		
						-10	7.30	2.36	7.10	2.39	6.92	2.43	6.84	2.44	6.76	2.45	6.62	2.48	6.51	2.50		
						-5	8.51	2.48	8.30	2.51	8.11	2.55	8.02	2.56	7.93	2.58	7.79	2.60	7.66	2.62		
						0	9.72	2.59	9.50	2.63	9.29	2.66	9.20	2.68	9.11	2.70	8.95	2.72	8.81	2.75		
						2	10.21	2.64	9.98	2.68	9.77	2.71	9.67	2.73	9.58	2.74	9.42	2.77	9.28	2.80		
						7	11.18	2.73	10.94	2.77	10.72	2.81	10.65	2.82	10.53	2.84	10.35	2.87	10.20	2.90		
						10	12.15	2.82	11.90	2.86	11.68	2.90	11.57	2.92	11.47	2.94	11.29	2.97	11.13	3.00		
						15	13.36	2.93	13.11	2.98	12.87	3.02	12.76	3.04	12.65	3.05	12.46	3.09	12.29	3.12		
2500	3500	3500		9500	95%	-15	5.59	2.11	5.42	2.15	5.26	2.17	5.19	2.19	5.13	2.20	5.01	2.22	4.91	2.24		
						-10	6.70	2.23	6.51	2.26	6.35	2.29	6.27	2.30	6.20	2.31	6.08	2.34	5.97	2.36		
						-5	7.81	2.34	7.61	2.37	7.44	2.40	7.36	2.42	7.28	2.43	7.14	2.45	7.03	2.48		
						0	8.92	2.44	8.71	2.48	8.53	2.51	8.44	2.53	8.36	2.54	8.21	2.57	8.09	2.59		
						2	9.36	2.49	9.15	2.52	8.96	2.56	8.87	2.57	8.79	2.59	8.64	2.62	8.51	2.64		
						7	10.25	2.57	10.03	2.61	9.84	2.65	9.77	2.66	9.66	2.68	9.50	2.71	9.36	2.73		
						10	11.14	2.66	10.92	2.70	10.71	2.74	10.61	2.75	10.52	2.77	10.36	2.80	10.21	2.83		
						15	12.26	2.77	12.02	2.81	11.81	2.85	11.70	2.86	11.61	2.88	11.43	2.91	11.27	2.94		
2500	3500	5000		11000	110%	-15	5.71	2.16	5.53	2.19	5.37	2.22	5.30	2.24	5.23	2.25	5.11	2.27	5.01	2.29		
						-10	6.84	2.28	6.65	2.31	6.48	2.34	6.40	2.35	6.33	2.37	6.20	2.39	6.09	2.41		
						-5	7.97	2.39	7.77	2.42	7.59	2.46	7.51	2.47	7.43	2.48	7.29	2.51	7.17	2.53		
						0	9.10	2.50	8.89	2.54	8.70	2.57	8.61	2.59	8.53	2.60	8.38	2.63	8.25	2.65		
						2	9.55	2.54	9.34	2.58	9.15	2.62	9.06	2.63	8.97	2.65	8.82	2.67	8.68	2.70		
						7	10.46	2.63	10.24	2.67	10.04	2.71	9.97	2.72	9.85	2.74	9.69	2.77	9.55	2.79		
						10	11.37	2.72	11.14	2.76	10.93	2.80	10.83	2.82	10.74	2.83	10.57	2.86	10.42	2.89		
						15	12.51	2.83	12.27	2.87	12.05	2.91	11.94	2.93	11.85	2.95	11.66	2.98	11.50	3.01		

12. Capacity Table

Combination (Capacity Index)				Combination (Total)	Combination (%)	Outdoor Temperature (°C, DB)	Indoor Temperature(°C, DB)													
							14		16		18		20		21		22		24	
							TC(kW)	PI(kW)	TC(kW)	PI(kW)	TC(kW)	PI(kW)	TC(kW)	PI(kW)	TC(kW)	PI(kW)	TC(kW)	PI(kW)	TC(kW)	PI(kW)
2500	3500	6800		12800	128%	-15	6.14	2.25	5.94	2.28	5.77	2.31	5.70	2.33	5.62	2.34	5.50	2.36	5.39	2.38
						-10	7.35	2.37	7.15	2.40	6.97	2.43	6.88	2.45	6.80	2.46	6.67	2.49	6.55	2.51
						-5	8.57	2.48	8.35	2.52	8.16	2.55	8.07	2.57	7.99	2.58	7.84	2.61	7.71	2.63
						0	9.79	2.60	9.56	2.64	9.35	2.67	9.26	2.69	9.17	2.71	9.01	2.73	8.87	2.76
						2	10.27	2.65	10.04	2.69	9.83	2.72	9.74	2.74	9.65	2.75	9.48	2.78	9.34	2.81
						7	11.25	2.74	11.01	2.78	10.79	2.82	10.72	2.83	10.60	2.85	10.42	2.88	10.27	2.91
						10	12.23	2.83	11.98	2.87	11.75	2.91	11.65	2.93	11.55	2.95	11.36	2.98	11.20	3.01
2500	5000	5000		12500	125%	-15	6.15	2.24	5.96	2.28	5.78	2.30	5.71	2.32	5.63	2.33	5.51	2.35	5.40	2.37
						-10	7.36	2.36	7.16	2.39	6.98	2.43	6.90	2.44	6.82	2.45	6.68	2.48	6.56	2.50
						-5	8.58	2.48	8.37	2.51	8.17	2.55	8.09	2.56	8.00	2.58	7.85	2.60	7.72	2.62
						0	9.80	2.59	9.58	2.63	9.37	2.66	9.28	2.68	9.19	2.70	9.03	2.72	8.89	2.75
						2	10.29	2.64	10.06	2.68	9.85	2.71	9.76	2.73	9.66	2.74	9.50	2.77	9.35	2.80
						7	11.27	2.73	11.03	2.77	10.81	2.81	10.74	2.82	10.62	2.84	10.44	2.87	10.29	2.90
						10	12.25	2.82	12.00	2.86	11.77	2.90	11.67	2.92	11.57	2.94	11.38	2.97	11.22	3.00
2500	5000	6800		14300	143%	-15	6.30	2.33	6.10	2.36	5.92	2.39	5.85	2.41	5.77	2.42	5.64	2.45	5.53	2.46
						-10	7.54	2.45	7.33	2.49	7.15	2.52	7.06	2.54	6.98	2.55	6.84	2.57	6.72	2.60
						-5	8.79	2.57	8.57	2.61	8.37	2.65	8.28	2.66	8.20	2.68	8.04	2.70	7.91	2.73
						0	10.04	2.69	9.81	2.73	9.60	2.77	9.50	2.79	9.41	2.80	9.25	2.83	9.10	2.86
						2	10.54	2.74	10.30	2.78	10.09	2.82	9.99	2.84	9.90	2.85	9.73	2.88	9.58	2.91
						7	11.54	2.84	11.30	2.88	11.07	2.92	11.00	2.93	10.87	2.95	10.69	2.98	10.54	3.01
						10	12.55	2.93	12.29	2.97	12.06	3.01	11.95	3.03	11.85	3.05	11.66	3.08	11.49	3.11
2500	6800	6800		16100	161%	-15	6.30	2.38	6.10	2.41	5.92	2.44	5.85	2.46	5.77	2.47	5.64	2.50	5.53	2.52
						-10	7.54	2.50	7.33	2.54	7.15	2.57	7.06	2.59	6.98	2.60	6.84	2.63	6.72	2.65
						-5	8.79	2.62	8.57	2.66	8.37	2.70	8.28	2.72	8.20	2.73	8.04	2.76	7.91	2.78
						0	10.04	2.75	9.81	2.79	9.60	2.83	9.50	2.84	9.41	2.86	9.25	2.89	9.10	2.91
						2	10.54	2.80	10.30	2.84	10.09	2.88	9.99	2.89	9.90	2.91	9.73	2.94	9.58	2.97
						7	11.54	2.89	11.30	2.94	11.07	2.98	11.00	2.99	10.87	3.01	10.69	3.04	10.54	3.07
						10	12.55	2.99	12.29	3.03	12.06	3.08	11.95	3.09	11.85	3.11	11.66	3.15	11.49	3.18
3500	3500	3500		10500	105%	-15	5.63	2.15	5.46	2.19	5.30	2.21	5.23	2.23	5.16	2.24	5.05	2.26	4.95	2.28
						-10	6.75	2.27	6.56	2.30	6.39	2.33	6.32	2.34	6.25	2.36	6.12	2.38	6.01	2.40
						-5	7.86	2.38	7.67	2.41	7.49	2.45	7.41	2.46	7.33	2.48	7.19	2.50	7.08	2.52
						0	8.98	2.49	8.77	2.53	8.59	2.56	8.50	2.58	8.42	2.59	8.27	2.62	8.14	2.64
						2	9.43	2.53	9.22	2.57	9.03	2.61	8.94	2.62	8.85	2.64	8.70	2.67	8.57	2.69
						7	10.33	2.62	10.11	2.66	9.91	2.70	9.84	2.71	9.73	2.73	9.57	2.76	9.43	2.78
						10	11.22	2.71	11.00	2.75	10.79	2.79	10.69	2.80	10.60	2.82	10.43	2.85	10.28	2.88
3500	3500	5000		12000	120%	-15	5.75	2.20	5.57	2.23	5.41	2.26	5.33	2.28	5.27	2.29	5.15	2.31	5.05	2.33
						-10	6.88	2.32	6.69	2.35	6.52	2.38	6.45	2.40	6.37	2.41	6.24	2.43	6.13	2.45
						-5	8.02	2.43	7.82	2.47	7.64	2.50	7.56	2.52	7.48	2.53	7.34	2.56	7.22	2.58
						0	9.16	2.55	8.95	2.58	8.76	2.62	8.67	2.63	8.59	2.65	8.44	2.68	8.31	2.70
						2	9.62	2.59	9.41	2.63	9.21	2.66	9.12	2.68	9.03	2.70	8.88	2.72	8.74	2.75
						7	10.54	2.68	10.31	2.72	10.11	2.76	10.04	2.77	9.92	2.79	9.76	2.82	9.62	2.85
						10	11.45	2.77	11.22	2.81	11.01	2.85	10.91	2.87	10.81	2.88	10.64	2.91	10.49	2.94
15	12.60	2.88	12.35	2.92	12.13	2.96	12.03	2.98	11.93	3.00	11.75	3.03	11.58	3.06						

12. Capacity Table

Combination (Capacity Index)				Combination (Total)	Combination (%)	Outdoor Temperature (°C,DB)	Indoor Temperature(°C, DB)															
							14		16		18		20		21		22		24			
							TC(kW)	PI(kW)	TC(kW)	PI(kW)	TC(kW)	PI(kW)	TC(kW)	PI(kW)	TC(kW)	PI(kW)	TC(kW)	PI(kW)	TC(kW)	PI(kW)		
3500	3500	6800		13800	138%	-15	6.18	2.28	5.98	2.32	5.81	2.35	5.73	2.36	5.66	2.37	5.53	2.40	5.43	2.41		
						-10	7.40	2.40	7.19	2.44	7.01	2.47	6.93	2.48	6.85	2.50	6.71	2.52	6.59	2.54		
						-5	8.62	2.52	8.41	2.56	8.21	2.59	8.12	2.61	8.04	2.62	7.89	2.65	7.76	2.67		
						0	9.85	2.64	9.62	2.68	9.42	2.71	9.32	2.73	9.23	2.74	9.07	2.77	8.93	2.80		
						2	10.34	2.68	10.11	2.72	9.90	2.76	9.80	2.78	9.71	2.79	9.54	2.82	9.40	2.85		
						7	11.32	2.78	11.08	2.82	10.86	2.86	10.79	2.87	10.66	2.89	10.49	2.92	10.34	2.95		
						10	12.31	2.87	12.06	2.91	11.83	2.95	11.72	2.97	11.62	2.99	11.44	3.02	11.27	3.05		
						15	13.54	2.98	13.28	3.03	13.04	3.07	12.93	3.09	12.82	3.11	12.62	3.14	12.45	3.17		
3500	5000	5000		13500	135%	-15	6.18	2.28	5.99	2.32	5.82	2.35	5.74	2.36	5.67	2.37	5.54	2.40	5.43	2.41		
						-10	7.41	2.40	7.20	2.44	7.02	2.47	6.93	2.48	6.86	2.50	6.72	2.52	6.60	2.54		
						-5	8.63	2.52	8.41	2.56	8.22	2.59	8.13	2.61	8.05	2.62	7.90	2.65	7.77	2.67		
						0	9.86	2.64	9.63	2.68	9.42	2.71	9.33	2.73	9.24	2.74	9.08	2.77	8.94	2.80		
						2	10.35	2.68	10.12	2.72	9.91	2.76	9.81	2.78	9.72	2.79	9.55	2.82	9.41	2.85		
						7	11.33	2.78	11.09	2.82	10.87	2.86	10.80	2.87	10.67	2.89	10.50	2.92	10.35	2.95		
						10	12.32	2.87	12.07	2.91	11.84	2.95	11.73	2.97	11.63	2.99	11.45	3.02	11.29	3.05		
						15	13.55	2.98	13.29	3.03	13.05	3.07	12.94	3.09	12.83	3.11	12.64	3.14	12.46	3.17		
3500	5000	6800		15300	153%	-15	6.30	2.33	6.10	2.36	5.92	2.39	5.85	2.41	5.77	2.42	5.64	2.45	5.53	2.46		
						-10	7.54	2.45	7.33	2.49	7.15	2.52	7.06	2.54	6.98	2.55	6.84	2.57	6.72	2.60		
						-5	8.79	2.57	8.57	2.61	8.37	2.65	8.28	2.66	8.20	2.68	8.04	2.70	7.91	2.73		
						0	10.04	2.69	9.81	2.73	9.60	2.77	9.50	2.79	9.41	2.80	9.25	2.83	9.10	2.86		
						2	10.54	2.74	10.30	2.78	10.09	2.82	9.99	2.84	9.90	2.85	9.73	2.88	9.58	2.91		
						7	11.54	2.84	11.30	2.88	11.07	2.92	11.00	2.93	10.87	2.95	10.69	2.98	10.54	3.01		
						10	12.55	2.93	12.29	2.97	12.06	3.01	11.95	3.03	11.85	3.05	11.66	3.08	11.49	3.11		
						15	13.80	3.05	13.54	3.09	13.29	3.13	13.18	3.15	13.07	3.17	12.87	3.21	12.69	3.24		
3500	6800	6800		17100	171%	-15	6.30	2.42	6.10	2.45	5.92	2.48	5.85	2.50	5.77	2.51	5.64	2.54	5.53	2.56		
						-10	7.54	2.54	7.33	2.58	7.15	2.61	7.06	2.63	6.98	2.65	6.84	2.67	6.72	2.69		
						-5	8.79	2.67	8.57	2.71	8.37	2.74	8.28	2.76	8.20	2.78	8.04	2.80	7.91	2.83		
						0	10.04	2.79	9.81	2.84	9.60	2.87	9.50	2.89	9.41	2.91	9.25	2.94	9.10	2.96		
						2	10.54	2.84	10.30	2.89	10.09	2.92	9.99	2.94	9.90	2.96	9.73	2.99	9.58	3.02		
						7	11.54	2.94	11.30	2.99	11.07	3.03	11.00	3.04	10.87	3.06	10.69	3.09	10.54	3.12		
						10	12.55	3.04	12.29	3.09	12.06	3.13	11.95	3.15	11.85	3.16	11.66	3.20	11.49	3.23		
						15	13.80	3.16	13.54	3.21	13.29	3.25	13.18	3.27	13.07	3.29	12.87	3.33	12.69	3.36		
5000	5000	5000		15000	150%	-15	6.30	2.33	6.10	2.36	5.92	2.39	5.85	2.41	5.77	2.42	5.64	2.45	5.53	2.46		
						-10	7.54	2.45	7.33	2.49	7.15	2.52	7.06	2.54	6.98	2.55	6.84	2.57	6.72	2.60		
						-5	8.79	2.57	8.57	2.61	8.37	2.65	8.28	2.66	8.20	2.68	8.04	2.70	7.91	2.73		
						0	10.04	2.69	9.81	2.73	9.60	2.77	9.50	2.79	9.41	2.80	9.25	2.83	9.10	2.86		
						2	10.54	2.74	10.30	2.78	10.09	2.82	9.99	2.84	9.90	2.85	9.73	2.88	9.58	2.91		
						7	11.54	2.84	11.30	2.88	11.07	2.92	11.00	2.93	10.87	2.95	10.69	2.98	10.54	3.01		
						10	12.55	2.93	12.29	2.97	12.06	3.01	11.95	3.03	11.85	3.05	11.66	3.08	11.49	3.11		
						15	13.80	3.05	13.54	3.09	13.29	3.13	13.18	3.15	13.07	3.17	12.87	3.21	12.69	3.24		
5000	5000	6800		16800	168%	-15	6.30	2.42	6.10	2.45	5.92	2.48	5.77	2.51	5.70	2.53	5.64	2.54	5.53	2.56		
						-10	7.54	2.54	7.33	2.58	7.15	2.61	6.98	2.65	6.91	2.66	6.84	2.67	6.72	2.69		
						-5	8.79	2.67	8.57	2.71	8.37	2.74	8.20	2.78	8.12	2.79	8.04	2.80	7.91	2.83		
						0	10.04	2.79	9.81	2.84	9.60	2.87	9.41	2.91	9.33	2.92	9.25	2.94	9.10	2.96		
						2	10.54	2.84	10.30	2.89	10.09	2.92	9.90	2.96	9.81	2.97	9.73	2.99	9.58	3.02		
						7	11.79	2.97	11.55	3.01	11.32	3.05	11.00	3.04	11.02	3.10	10.93	3.12	10.78	3.15		
						10	12.55	3.04	12.29	3.09	12.06	3.13	11.85	3.16	11.75	3.18	11.66	3.20	11.49	3.23		
						15	13.80	3.16	13.54	3.21	13.29	3.25	13.07	3.29	12.97	3.31	12.87	3.33	12.69	3.36		

12. Capacity Table

Combination (Capacity Index)				Combination (Total)	Combination (%)	Outdoor Temperature (°C, DB)	Indoor Temperature(°C, DB)													
							14		16		18		20		21		22		24	
							TC(kW)	PI(kW)	TC(kW)	PI(kW)	TC(kW)	PI(kW)	TC(kW)	PI(kW)	TC(kW)	PI(kW)	TC(kW)	PI(kW)	TC(kW)	PI(kW)
2000	2000	2000	2000	8000	80%	-15	5.04	1.78	4.88	1.81	4.74	1.83	4.68	1.84	4.62	1.85	4.51	1.87	4.43	1.88
						-10	6.03	1.87	5.87	1.90	5.72	1.93	5.65	1.94	5.59	1.95	5.47	1.97	5.38	1.98
						-5	7.03	1.97	6.86	2.00	6.70	2.02	6.62	2.03	6.56	2.05	6.43	2.07	6.33	2.08
						0	8.03	2.06	7.85	2.09	7.68	2.12	7.60	2.13	7.53	2.14	7.40	2.16	7.28	2.18
						2	8.43	2.09	8.24	2.13	8.07	2.15	7.99	2.17	7.92	2.18	7.78	2.20	7.66	2.22
						7	9.23	2.17	9.04	2.20	8.86	2.23	8.80	2.24	8.70	2.26	8.55	2.28	8.43	2.30
						10	10.04	2.24	9.83	2.27	9.65	2.30	9.56	2.32	9.48	2.33	9.33	2.36	9.20	2.38
2000	2000	2000	2500	8500	85%	-15	5.51	2.03	5.34	2.06	5.19	2.08	5.12	2.10	5.05	2.11	4.94	2.13	4.84	2.15
						-10	6.60	2.13	6.42	2.17	6.26	2.19	6.18	2.21	6.11	2.22	5.99	2.24	5.88	2.26
						-5	7.70	2.24	7.50	2.27	7.33	2.30	7.25	2.32	7.18	2.33	7.04	2.35	6.93	2.37
						0	8.79	2.34	8.59	2.38	8.40	2.41	8.32	2.42	8.24	2.44	8.09	2.46	7.97	2.49
						2	9.23	2.38	9.02	2.42	8.83	2.45	8.75	2.47	8.67	2.48	8.52	2.51	8.39	2.53
						7	10.11	2.47	9.89	2.50	9.69	2.54	9.63	2.55	9.52	2.57	9.36	2.60	9.22	2.62
						10	10.98	2.55	10.76	2.59	10.56	2.62	10.46	2.64	10.37	2.65	10.21	2.68	10.06	2.71
2000	2000	2000	3500	9500	95%	-15	5.55	2.17	5.37	2.20	5.22	2.23	5.15	2.24	5.08	2.26	4.97	2.28	4.87	2.30
						-10	6.64	2.28	6.46	2.32	6.30	2.35	6.22	2.36	6.15	2.38	6.03	2.40	5.92	2.42
						-5	7.74	2.40	7.55	2.43	7.37	2.46	7.29	2.48	7.22	2.49	7.08	2.52	6.97	2.54
						0	8.85	2.51	8.64	2.55	8.46	2.58	8.37	2.60	8.29	2.61	8.14	2.64	8.02	2.66
						2	9.29	2.55	9.08	2.59	8.89	2.63	8.80	2.64	8.72	2.66	8.57	2.68	8.44	2.71
						7	10.17	2.64	9.95	2.68	9.75	2.72	9.69	2.73	9.58	2.75	9.42	2.78	9.28	2.80
						10	11.05	2.73	10.83	2.77	10.62	2.81	10.53	2.83	10.44	2.84	10.27	2.87	10.13	2.90
2000	2000	2000	5000	11000	110%	-15	5.67	2.18	5.49	2.21	5.33	2.24	5.26	2.25	5.19	2.26	5.08	2.29	4.98	2.31
						-10	6.79	2.29	6.60	2.33	6.43	2.36	6.36	2.37	6.28	2.38	6.16	2.41	6.05	2.43
						-5	7.91	2.41	7.71	2.44	7.53	2.47	7.45	2.49	7.38	2.50	7.24	2.53	7.12	2.55
						0	9.04	2.52	8.83	2.56	8.64	2.59	8.55	2.61	8.47	2.62	8.32	2.65	8.19	2.67
						2	9.49	2.56	9.27	2.60	9.08	2.64	8.99	2.65	8.91	2.67	8.76	2.69	8.62	2.72
						7	10.39	2.65	10.17	2.69	9.97	2.73	9.90	2.74	9.79	2.76	9.62	2.79	9.48	2.82
						10	11.29	2.74	11.06	2.78	10.85	2.82	10.76	2.84	10.66	2.85	10.49	2.88	10.34	2.91
2000	2000	2000	6800	12800	128%	-15	6.10	2.23	5.91	2.27	5.74	2.30	5.66	2.31	5.59	2.32	5.47	2.35	5.36	2.36
						-10	7.31	2.35	7.11	2.39	6.93	2.42	6.84	2.43	6.77	2.44	6.63	2.47	6.51	2.49
						-5	8.52	2.47	8.31	2.50	8.11	2.54	8.03	2.55	7.94	2.57	7.79	2.59	7.67	2.61
						0	9.73	2.58	9.51	2.62	9.30	2.66	9.21	2.67	9.12	2.69	8.96	2.71	8.82	2.74
						2	10.22	2.63	9.99	2.67	9.78	2.70	9.68	2.72	9.59	2.73	9.43	2.76	9.28	2.79
						7	11.19	2.72	10.95	2.76	10.73	2.80	10.66	2.81	10.54	2.83	10.36	2.86	10.21	2.89
						10	12.16	2.81	11.91	2.85	11.69	2.89	11.58	2.91	11.48	2.93	11.30	2.96	11.14	2.98
2000	2000	2500	2500	9000	90%	-15	5.58	2.06	5.40	2.09	5.25	2.12	5.18	2.13	5.11	2.14	4.99	2.16	4.90	2.18
						-10	6.68	2.17	6.49	2.20	6.33	2.23	6.25	2.24	6.18	2.25	6.06	2.28	5.95	2.29
						-5	7.78	2.27	7.59	2.31	7.41	2.34	7.33	2.35	7.26	2.37	7.12	2.39	7.00	2.41
						0	8.89	2.38	8.69	2.42	8.50	2.45	8.41	2.46	8.33	2.48	8.19	2.50	8.06	2.52
						2	9.33	2.42	9.12	2.46	8.93	2.49	8.85	2.51	8.76	2.52	8.61	2.55	8.48	2.57
						7	10.22	2.51	10.00	2.54	9.81	2.58	9.74	2.59	9.63	2.61	9.47	2.64	9.33	2.66
						10	11.11	2.59	10.88	2.63	10.68	2.66	10.58	2.68	10.49	2.70	10.32	2.73	10.18	2.75
15	12.22	2.69	11.99	2.73	11.77	2.77	11.67	2.79	11.57	2.81	11.40	2.84	11.24	2.86						

12. Capacity Table

Combination (Capacity Index)				Combination (Total)	Combination (%)	Outdoor Temperature (°C,DB)	Indoor Temperature(°C, DB)															
							14		16		18		20		21		22		24			
							TC(kW)	PI(kW)	TC(kW)	PI(kW)	TC(kW)	PI(kW)	TC(kW)	PI(kW)	TC(kW)	PI(kW)	TC(kW)	PI(kW)	TC(kW)	PI(kW)		
2000	2000	2500	3500	10000	100%	-15	5.60	2.13	5.43	2.16	5.27	2.19	5.20	2.20	5.14	2.22	5.02	2.24	4.92	2.25		
						-10	6.71	2.24	6.53	2.28	6.36	2.31	6.29	2.32	6.21	2.33	6.09	2.35	5.98	2.37		
						-5	7.82	2.35	7.63	2.39	7.45	2.42	7.37	2.43	7.29	2.45	7.16	2.47	7.04	2.49		
						0	8.94	2.46	8.73	2.50	8.54	2.53	8.46	2.55	8.38	2.56	8.23	2.59	8.10	2.61		
						2	9.38	2.51	9.17	2.54	8.98	2.58	8.89	2.59	8.81	2.61	8.66	2.64	8.53	2.66		
						7	10.27	2.59	10.05	2.63	9.86	2.67	9.79	2.68	9.68	2.70	9.52	2.73	9.38	2.75		
						10	11.17	2.68	10.94	2.72	10.73	2.76	10.64	2.77	10.54	2.79	10.38	2.82	10.23	2.85		
						15	12.28	2.79	12.05	2.83	11.83	2.87	11.73	2.89	11.63	2.90	11.45	2.93	11.30	2.96		
2000	2000	2500	5000	11500	115%	-15	5.73	2.18	5.55	2.21	5.39	2.24	5.32	2.25	5.25	2.26	5.13	2.29	5.03	2.31		
						-10	6.86	2.29	6.67	2.33	6.50	2.36	6.43	2.37	6.35	2.38	6.22	2.41	6.12	2.43		
						-5	8.00	2.41	7.80	2.44	7.62	2.47	7.54	2.49	7.46	2.50	7.32	2.53	7.20	2.55		
						0	9.14	2.52	8.93	2.56	8.73	2.59	8.65	2.61	8.56	2.62	8.41	2.65	8.28	2.67		
						2	9.59	2.56	9.38	2.60	9.18	2.64	9.09	2.65	9.01	2.67	8.85	2.69	8.72	2.72		
						7	10.50	2.65	10.28	2.69	10.08	2.73	10.01	2.74	9.89	2.76	9.73	2.79	9.59	2.82		
						10	11.42	2.74	11.19	2.78	10.97	2.82	10.88	2.84	10.78	2.85	10.61	2.88	10.46	2.91		
						15	12.56	2.85	12.32	2.89	12.10	2.93	11.99	2.95	11.89	2.97	11.71	3.00	11.55	3.03		
2000	2000	2500	6800	13300	133%	-15	6.16	2.27	5.97	2.30	5.80	2.33	5.72	2.34	5.65	2.36	5.52	2.38	5.41	2.40		
						-10	7.38	2.38	7.17	2.42	6.99	2.45	6.91	2.47	6.83	2.48	6.69	2.50	6.57	2.53		
						-5	8.60	2.50	8.38	2.54	8.19	2.57	8.10	2.59	8.02	2.60	7.87	2.63	7.74	2.65		
						0	9.82	2.62	9.59	2.66	9.39	2.69	9.29	2.71	9.21	2.73	9.04	2.75	8.90	2.78		
						2	10.31	2.67	10.08	2.71	9.87	2.74	9.77	2.76	9.68	2.77	9.52	2.80	9.37	2.83		
						7	11.29	2.76	11.05	2.80	10.83	2.84	10.76	2.85	10.64	2.87	10.46	2.90	10.31	2.93		
						10	12.27	2.85	12.02	2.89	11.80	2.93	11.69	2.95	11.59	2.97	11.41	3.00	11.24	3.03		
						15	13.50	2.96	13.24	3.01	13.00	3.05	12.89	3.07	12.78	3.09	12.59	3.12	12.42	3.15		
2000	2000	3500	3500	11000	110%	-15	5.66	2.17	5.48	2.20	5.32	2.23	5.25	2.24	5.18	2.26	5.07	2.28	4.97	2.30		
						-10	6.78	2.28	6.59	2.32	6.42	2.35	6.34	2.36	6.27	2.38	6.14	2.40	6.04	2.42		
						-5	7.90	2.40	7.70	2.43	7.52	2.46	7.44	2.48	7.36	2.49	7.22	2.52	7.11	2.54		
						0	9.02	2.51	8.81	2.55	8.62	2.58	8.53	2.60	8.45	2.61	8.30	2.64	8.18	2.66		
						2	9.47	2.55	9.26	2.59	9.06	2.63	8.97	2.64	8.89	2.66	8.74	2.68	8.61	2.71		
						7	10.37	2.64	10.15	2.68	9.95	2.72	9.88	2.73	9.77	2.75	9.60	2.78	9.46	2.80		
						10	11.27	2.73	11.04	2.77	10.83	2.81	10.73	2.83	10.64	2.84	10.47	2.87	10.32	2.90		
						15	12.40	2.84	12.16	2.88	11.94	2.92	11.84	2.94	11.74	2.96	11.56	2.99	11.40	3.02		
2000	2000	3500	5000	12500	125%	-15	6.10	2.22	5.91	2.25	5.74	2.28	5.66	2.29	5.59	2.31	5.47	2.33	5.36	2.35		
						-10	7.31	2.33	7.11	2.37	6.93	2.40	6.84	2.41	6.77	2.43	6.63	2.45	6.51	2.47		
						-5	8.52	2.45	8.31	2.49	8.11	2.52	8.03	2.53	7.94	2.55	7.79	2.57	7.67	2.60		
						0	9.73	2.56	9.51	2.60	9.30	2.64	9.21	2.65	9.12	2.67	8.96	2.70	8.82	2.72		
						2	10.22	2.61	9.99	2.65	9.78	2.68	9.68	2.70	9.59	2.72	9.43	2.74	9.28	2.77		
						7	11.19	2.70	10.95	2.74	10.73	2.78	10.66	2.79	10.54	2.81	10.36	2.84	10.21	2.87		
						10	12.16	2.79	11.91	2.83	11.69	2.87	11.58	2.89	11.48	2.90	11.30	2.94	11.14	2.96		
						15	13.38	2.90	13.12	2.95	12.88	2.99	12.77	3.00	12.67	3.02	12.47	3.05	12.30	3.08		
2000	2000	3500	6800	14300	143%	-15	6.19	2.31	6.00	2.34	5.83	2.37	5.75	2.38	5.68	2.40	5.55	2.42	5.44	2.44		
						-10	7.42	2.43	7.21	2.46	7.03	2.49	6.95	2.51	6.87	2.52	6.73	2.55	6.61	2.57		
						-5	8.65	2.55	8.43	2.58	8.23	2.62	8.15	2.63	8.06	2.65	7.91	2.68	7.78	2.70		
						0	9.88	2.66	9.65	2.70	9.44	2.74	9.35	2.76	9.26	2.77	9.09	2.80	8.95	2.83		
						2	10.37	2.71	10.14	2.75	9.92	2.79	9.83	2.81	9.74	2.82	9.57	2.85	9.42	2.88		
						7	11.35	2.81	11.11	2.85	10.89	2.89	10.82	2.90	10.69	2.92	10.52	2.95	10.36	2.98		
						10	12.34	2.90	12.09	2.94	11.86	2.98	11.76	3.00	11.65	3.02	11.47	3.05	11.31	3.08		
						15	13.58	3.02	13.31	3.06	13.07	3.10	12.96	3.12	12.86	3.14	12.66	3.18	12.48	3.21		

12. Capacity Table

Combination (Capacity Index)				Combination (Total)	Combination (%)	Outdoor Temperature (°C, DB)	Indoor Temperature(°C, DB)													
							14		16		18		20		21		22		24	
							TC(kW)	PI(kW)	TC(kW)	PI(kW)	TC(kW)	PI(kW)	TC(kW)	PI(kW)	TC(kW)	PI(kW)	TC(kW)	PI(kW)	TC(kW)	PI(kW)
2000	2000	5000	5000	14000	140%	-15	6.22	2.30	6.02	2.33	5.85	2.36	5.77	2.38	5.70	2.39	5.57	2.41	5.46	2.43
						-10	7.45	2.42	7.24	2.45	7.06	2.49	6.97	2.50	6.89	2.51	6.75	2.54	6.63	2.56
						-5	8.68	2.54	8.46	2.57	8.27	2.61	8.18	2.62	8.09	2.64	7.94	2.67	7.81	2.69
						0	9.91	2.66	9.68	2.70	9.48	2.73	9.38	2.75	9.29	2.76	9.13	2.79	8.99	2.82
						2	10.41	2.70	10.17	2.74	9.96	2.78	9.86	2.80	9.77	2.81	9.60	2.84	9.46	2.87
						7	11.40	2.80	11.15	2.84	10.93	2.88	10.86	2.89	10.73	2.91	10.56	2.94	10.40	2.97
						10	12.39	2.89	12.14	2.93	11.91	2.97	11.80	2.99	11.70	3.01	11.51	3.04	11.35	3.07
2000	2000	5000	6800	15800	158%	-15	6.30	2.35	6.10	2.39	5.92	2.42	5.85	2.43	5.77	2.45	5.64	2.47	5.53	2.49
						-10	7.54	2.48	7.33	2.51	7.15	2.55	7.06	2.56	6.98	2.58	6.84	2.60	6.72	2.62
						-5	8.79	2.60	8.57	2.64	8.37	2.67	8.28	2.69	8.20	2.70	8.04	2.73	7.91	2.75
						0	10.04	2.72	9.81	2.76	9.60	2.80	9.50	2.81	9.41	2.83	9.25	2.86	9.10	2.89
						2	10.54	2.77	10.30	2.81	10.09	2.85	9.99	2.86	9.90	2.88	9.73	2.91	9.58	2.94
						7	11.54	2.86	11.30	2.91	11.07	2.95	11.00	2.96	10.87	2.98	10.69	3.01	10.54	3.04
						10	12.55	2.96	12.29	3.00	12.06	3.04	11.95	3.06	11.85	3.08	11.66	3.11	11.49	3.14
2000	2500	2500	2500	9500	95%	-15	5.64	2.16	5.47	2.19	5.31	2.22	5.24	2.24	5.17	2.25	5.06	2.27	4.96	2.29
						-10	6.76	2.28	6.57	2.31	6.41	2.34	6.33	2.35	6.26	2.37	6.13	2.39	6.02	2.41
						-5	7.88	2.39	7.68	2.42	7.50	2.46	7.42	2.47	7.35	2.48	7.21	2.51	7.09	2.53
						0	9.00	2.50	8.79	2.54	8.60	2.57	8.52	2.59	8.44	2.60	8.29	2.63	8.16	2.65
						2	9.45	2.54	9.24	2.58	9.04	2.62	8.96	2.63	8.87	2.65	8.72	2.67	8.59	2.70
						7	10.35	2.63	10.13	2.67	9.93	2.71	9.86	2.72	9.75	2.74	9.59	2.77	9.44	2.79
						10	11.25	2.72	11.02	2.76	10.81	2.80	10.71	2.82	10.62	2.83	10.45	2.86	10.30	2.89
2000	2500	2500	3500	10500	105%	-15	5.68	2.20	5.51	2.23	5.35	2.26	5.28	2.28	5.21	2.29	5.09	2.31	4.99	2.33
						-10	6.81	2.32	6.62	2.35	6.45	2.38	6.38	2.40	6.30	2.41	6.17	2.43	6.07	2.45
						-5	7.94	2.43	7.74	2.47	7.56	2.50	7.48	2.52	7.40	2.53	7.26	2.56	7.14	2.58
						0	9.06	2.55	8.85	2.58	8.67	2.62	8.58	2.63	8.50	2.65	8.35	2.68	8.22	2.70
						2	9.52	2.59	9.30	2.63	9.11	2.66	9.02	2.68	8.94	2.70	8.78	2.72	8.65	2.75
						7	10.42	2.68	10.20	2.72	10.00	2.76	9.93	2.77	9.81	2.79	9.65	2.82	9.51	2.85
						10	11.33	2.77	11.10	2.81	10.89	2.85	10.79	2.87	10.70	2.88	10.53	2.91	10.38	2.94
2000	2500	2500	5000	12000	120%	-15	6.11	2.25	5.92	2.28	5.75	2.31	5.67	2.33	5.60	2.34	5.48	2.36	5.37	2.38
						-10	7.32	2.37	7.12	2.40	6.94	2.43	6.86	2.45	6.78	2.46	6.64	2.49	6.52	2.51
						-5	8.54	2.48	8.32	2.52	8.13	2.55	8.04	2.57	7.96	2.58	7.81	2.61	7.68	2.63
						0	9.75	2.60	9.52	2.64	9.32	2.67	9.23	2.69	9.14	2.71	8.98	2.73	8.84	2.76
						2	10.23	2.65	10.00	2.69	9.80	2.72	9.70	2.74	9.61	2.75	9.45	2.78	9.30	2.81
						7	11.21	2.74	10.97	2.78	10.75	2.82	10.68	2.83	10.56	2.85	10.38	2.88	10.23	2.91
						10	12.18	2.83	11.93	2.87	11.71	2.91	11.60	2.93	11.50	2.95	11.32	2.98	11.16	3.01
2000	2500	2500	6800	13800	138%	-15	6.22	2.34	6.02	2.37	5.85	2.40	5.77	2.42	5.70	2.43	5.57	2.45	5.46	2.47
						-10	7.45	2.46	7.24	2.50	7.06	2.53	6.97	2.54	6.89	2.56	6.75	2.58	6.63	2.61
						-5	8.68	2.58	8.46	2.62	8.27	2.65	8.18	2.67	8.09	2.69	7.94	2.71	7.81	2.74
						0	9.91	2.70	9.68	2.74	9.48	2.78	9.38	2.80	9.29	2.81	9.13	2.84	8.99	2.87
						2	10.41	2.75	10.17	2.79	9.96	2.83	9.86	2.85	9.77	2.86	9.60	2.89	9.46	2.92
						7	11.40	2.84	11.15	2.89	10.93	2.93	10.86	2.94	10.73	2.96	10.56	2.99	10.40	3.02
						10	12.39	2.94	12.14	2.98	11.91	3.02	11.80	3.04	11.70	3.06	11.51	3.09	11.35	3.12
15	13.63	3.06	13.36	3.10	13.12	3.15	13.01	3.17	12.90	3.18	12.71	3.22	12.53	3.25						

12. Capacity Table

Combination (Capacity Index)				Combination (Total)	Combination (%)	Outdoor Temperature (°C,DB)	Indoor Temperature(°C, DB)															
							14		16		18		20		21		22		24			
							TC(kW)	PI(kW)	TC(kW)	PI(kW)	TC(kW)	PI(kW)	TC(kW)	PI(kW)	TC(kW)	PI(kW)	TC(kW)	PI(kW)	TC(kW)	PI(kW)		
2000	2500	3500	3500	11500	115%	-15	5.72	2.17	5.54	2.20	5.38	2.23	5.31	2.24	5.24	2.26	5.12	2.28	5.02	2.30		
						-10	6.85	2.28	6.66	2.32	6.49	2.35	6.41	2.36	6.34	2.38	6.21	2.40	6.10	2.42		
						-5	7.98	2.40	7.78	2.43	7.60	2.46	7.52	2.48	7.44	2.49	7.30	2.52	7.18	2.54		
						0	9.12	2.51	8.91	2.55	8.72	2.58	8.63	2.60	8.55	2.61	8.40	2.64	8.27	2.66		
						2	9.57	2.55	9.36	2.59	9.16	2.63	9.07	2.64	8.99	2.66	8.83	2.68	8.70	2.71		
						7	10.48	2.64	10.26	2.68	10.06	2.72	9.99	2.73	9.87	2.75	9.71	2.78	9.57	2.80		
						10	11.39	2.73	11.16	2.77	10.95	2.81	10.85	2.83	10.76	2.84	10.59	2.87	10.44	2.90		
						15	12.54	2.84	12.29	2.88	12.07	2.92	11.97	2.94	11.87	2.96	11.69	2.99	11.53	3.02		
2000	2500	3500	5000	13000	130%	-15	6.17	2.26	5.97	2.29	5.80	2.32	5.72	2.33	5.65	2.35	5.52	2.37	5.42	2.39		
						-10	7.39	2.38	7.18	2.41	7.00	2.44	6.91	2.46	6.84	2.47	6.70	2.50	6.58	2.52		
						-5	8.61	2.49	8.39	2.53	8.20	2.56	8.11	2.58	8.02	2.59	7.87	2.62	7.75	2.64		
						0	9.83	2.61	9.60	2.65	9.40	2.68	9.30	2.70	9.21	2.72	9.05	2.74	8.91	2.77		
						2	10.32	2.66	10.09	2.70	9.88	2.73	9.78	2.75	9.69	2.76	9.52	2.79	9.38	2.82		
						7	11.30	2.75	11.06	2.79	10.84	2.83	10.77	2.84	10.65	2.86	10.47	2.89	10.32	2.92		
						10	12.28	2.84	12.03	2.88	11.81	2.92	11.70	2.94	11.60	2.96	11.42	2.99	11.25	3.02		
						15	13.51	2.95	13.25	3.00	13.01	3.04	12.90	3.06	12.80	3.08	12.60	3.11	12.43	3.14		
2000	2500	3500	6800	14800	148%	-15	6.30	2.34	6.10	2.37	5.92	2.40	5.85	2.42	5.77	2.43	5.64	2.45	5.53	2.47		
						-10	7.54	2.46	7.33	2.50	7.15	2.53	7.06	2.54	6.98	2.56	6.84	2.58	6.72	2.61		
						-5	8.79	2.58	8.57	2.62	8.37	2.65	8.28	2.67	8.20	2.69	8.04	2.71	7.91	2.74		
						0	10.04	2.70	9.81	2.74	9.60	2.78	9.50	2.80	9.41	2.81	9.25	2.84	9.10	2.87		
						2	10.54	2.75	10.30	2.79	10.09	2.83	9.99	2.85	9.90	2.86	9.73	2.89	9.58	2.92		
						7	11.54	2.84	11.30	2.89	11.07	2.93	11.00	2.94	10.87	2.96	10.69	2.99	10.54	3.02		
						10	12.55	2.94	12.29	2.98	12.06	3.02	11.95	3.04	11.85	3.06	11.66	3.09	11.49	3.12		
						15	13.80	3.06	13.54	3.10	13.29	3.15	13.18	3.17	13.07	3.18	12.87	3.22	12.69	3.25		
2000	2500	5000	5000	14500	145%	-15	6.30	2.34	6.10	2.37	5.92	2.40	5.85	2.42	5.77	2.43	5.64	2.45	5.53	2.47		
						-10	7.54	2.46	7.33	2.50	7.15	2.53	7.06	2.54	6.98	2.56	6.84	2.58	6.72	2.61		
						-5	8.79	2.58	8.57	2.62	8.37	2.65	8.28	2.67	8.20	2.69	8.04	2.71	7.91	2.74		
						0	10.04	2.70	9.81	2.74	9.60	2.78	9.50	2.80	9.41	2.81	9.25	2.84	9.10	2.87		
						2	10.54	2.75	10.30	2.79	10.09	2.83	9.99	2.85	9.90	2.86	9.73	2.89	9.58	2.92		
						7	11.54	2.84	11.30	2.89	11.07	2.93	11.00	2.94	10.87	2.96	10.69	2.99	10.54	3.02		
						10	12.55	2.94	12.29	2.98	12.06	3.02	11.95	3.04	11.85	3.06	11.66	3.09	11.49	3.12		
						15	13.80	3.06	13.54	3.10	13.29	3.15	13.18	3.17	13.07	3.18	12.87	3.22	12.69	3.25		
2000	2500	5000	6800	16300	163%	-15	6.30	2.39	6.10	2.42	5.92	2.45	5.85	2.47	5.77	2.48	5.64	2.50	5.53	2.52		
						-10	7.54	2.51	7.33	2.55	7.15	2.58	7.06	2.60	6.98	2.61	6.84	2.64	6.72	2.66		
						-5	8.79	2.63	8.57	2.67	8.37	2.71	8.28	2.72	8.20	2.74	8.04	2.77	7.91	2.79		
						0	10.04	2.76	9.81	2.80	9.60	2.84	9.50	2.85	9.41	2.87	9.25	2.90	9.10	2.92		
						2	10.54	2.81	10.30	2.85	10.09	2.89	9.99	2.90	9.90	2.92	9.73	2.95	9.58	2.98		
						7	11.54	2.90	11.30	2.95	11.07	2.99	11.00	3.00	10.87	3.02	10.69	3.05	10.54	3.08		
						10	12.55	3.00	12.29	3.04	12.06	3.09	11.95	3.10	11.85	3.12	11.66	3.16	11.49	3.19		
						15	13.80	3.12	13.54	3.17	13.29	3.21	13.18	3.23	13.07	3.25	12.87	3.28	12.69	3.32		
2000	3500	3500	3500	12500	125%	-15	5.75	2.21	5.57	2.24	5.41	2.27	5.34	2.29	5.27	2.30	5.15	2.32	5.05	2.34		
						-10	6.89	2.33	6.70	2.36	6.53	2.39	6.45	2.41	6.38	2.42	6.25	2.44	6.14	2.46		
						-5	8.03	2.44	7.83	2.48	7.65	2.51	7.57	2.52	7.49	2.54	7.35	2.56	7.23	2.59		
						0	9.17	2.55	8.96	2.59	8.77	2.63	8.68	2.64	8.60	2.66	8.45	2.69	8.32	2.71		
						2	9.63	2.60	9.41	2.64	9.22	2.67	9.13	2.69	9.04	2.71	8.89	2.73	8.75	2.76		
						7	10.55	2.69	10.32	2.73	10.12	2.77	10.05	2.78	9.93	2.80	9.77	2.83	9.63	2.86		
						10	11.46	2.78	11.23	2.82	11.02	2.86	10.92	2.88	10.82	2.89	10.65	2.93	10.50	2.95		
						15	12.61	2.89	12.37	2.93	12.14	2.97	12.04	2.99	11.94	3.01	11.76	3.04	11.60	3.07		

12. Capacity Table

Combination (Capacity Index)				Combination (Total)	Combination (%)	Outdoor Temperature (°C, DB)	Indoor Temperature(°C, DB)													
							14		16		18		20		21		22		24	
							TC(kW)	PI(kW)	TC(kW)	PI(kW)	TC(kW)	PI(kW)	TC(kW)	PI(kW)	TC(kW)	PI(kW)	TC(kW)	PI(kW)	TC(kW)	PI(kW)
2000	3500	3500	5000	14000	140%	-15	6.19	2.29	6.00	2.32	5.83	2.35	5.75	2.37	5.68	2.38	5.55	2.40	5.44	2.42
						-10	7.42	2.41	7.21	2.45	7.03	2.48	6.95	2.49	6.87	2.51	6.73	2.53	6.61	2.55
						-5	8.65	2.53	8.43	2.57	8.23	2.60	8.15	2.62	8.06	2.63	7.91	2.66	7.78	2.68
						0	9.88	2.65	9.65	2.69	9.44	2.72	9.35	2.74	9.26	2.75	9.09	2.78	8.95	2.81
						2	10.37	2.69	10.14	2.73	9.92	2.77	9.83	2.79	9.74	2.80	9.57	2.83	9.42	2.86
						7	11.35	2.79	11.11	2.83	10.89	2.87	10.82	2.88	10.69	2.90	10.52	2.93	10.36	2.96
						10	12.34	2.88	12.09	2.92	11.86	2.96	11.76	2.98	11.65	3.00	11.47	3.03	11.31	3.06
						15	13.58	3.00	13.31	3.04	13.07	3.08	12.96	3.10	12.86	3.12	12.66	3.15	12.48	3.18
2000	3500	3500	6800	15800	158%	-15	6.30	2.35	6.10	2.38	5.92	2.41	5.85	2.43	5.77	2.44	5.64	2.46	5.53	2.48
						-10	7.54	2.47	7.33	2.50	7.15	2.54	7.06	2.55	6.98	2.57	6.84	2.59	6.72	2.61
						-5	8.79	2.59	8.57	2.63	8.37	2.66	8.28	2.68	8.20	2.69	8.04	2.72	7.91	2.75
						0	10.04	2.71	9.81	2.75	9.60	2.79	9.50	2.80	9.41	2.82	9.25	2.85	9.10	2.88
						2	10.54	2.76	10.30	2.80	10.09	2.84	9.99	2.85	9.90	2.87	9.73	2.90	9.58	2.93
						7	11.54	2.85	11.30	2.90	11.07	2.94	11.00	2.95	10.87	2.97	10.69	3.00	10.54	3.03
						10	12.55	2.95	12.29	2.99	12.06	3.03	11.95	3.05	11.85	3.07	11.66	3.10	11.49	3.13
						15	13.80	3.07	13.54	3.11	13.29	3.16	13.18	3.18	13.07	3.19	12.87	3.23	12.69	3.26
2000	3500	5000	5000	15500	155%	-15	6.30	2.34	6.10	2.37	5.92	2.40	5.85	2.42	5.77	2.43	5.64	2.45	5.53	2.47
						-10	7.54	2.46	7.33	2.50	7.15	2.53	7.06	2.54	6.98	2.56	6.84	2.58	6.72	2.61
						-5	8.79	2.58	8.57	2.62	8.37	2.65	8.28	2.67	8.20	2.69	8.04	2.71	7.91	2.74
						0	10.04	2.70	9.81	2.74	9.60	2.78	9.50	2.80	9.41	2.81	9.25	2.84	9.10	2.87
						2	10.54	2.75	10.30	2.79	10.09	2.83	9.99	2.85	9.90	2.86	9.73	2.89	9.58	2.92
						7	11.54	2.84	11.30	2.89	11.07	2.93	11.00	2.94	10.87	2.96	10.69	2.99	10.54	3.02
						10	12.55	2.94	12.29	2.98	12.06	3.02	11.95	3.04	11.85	3.06	11.66	3.09	11.49	3.12
						15	13.80	3.06	13.54	3.10	13.29	3.15	13.18	3.17	13.07	3.18	12.87	3.22	12.69	3.25
2000	3500	5000	6800	17300	173%	-15	6.30	2.42	6.10	2.46	5.92	2.49	5.85	2.51	5.77	2.52	5.64	2.55	5.53	2.57
						-10	7.54	2.55	7.33	2.59	7.15	2.62	7.06	2.64	6.98	2.65	6.84	2.68	6.72	2.70
						-5	8.79	2.68	8.57	2.72	8.37	2.75	8.28	2.77	8.20	2.79	8.04	2.81	7.91	2.84
						0	10.04	2.80	9.81	2.84	9.60	2.88	9.50	2.90	9.41	2.92	9.25	2.95	9.10	2.97
						2	10.54	2.85	10.30	2.89	10.09	2.93	9.99	2.95	9.90	2.97	9.73	3.00	9.58	3.03
						7	11.54	2.95	11.30	3.00	11.07	3.04	11.00	3.05	10.87	3.07	10.69	3.10	10.54	3.13
						10	12.55	3.05	12.29	3.10	12.06	3.14	11.95	3.16	11.85	3.18	11.66	3.21	11.49	3.24
						15	13.80	3.17	13.54	3.22	13.29	3.26	13.18	3.28	13.07	3.30	12.87	3.34	12.69	3.37
2000	5000	5000	5000	17000	170%	-15	6.30	2.42	6.10	2.46	5.92	2.49	5.85	2.51	5.77	2.52	5.64	2.55	5.53	2.57
						-10	7.54	2.55	7.33	2.59	7.15	2.62	7.06	2.64	6.98	2.65	6.84	2.68	6.72	2.70
						-5	8.79	2.68	8.57	2.72	8.37	2.75	8.28	2.77	8.20	2.79	8.04	2.81	7.91	2.84
						0	10.04	2.80	9.81	2.84	9.60	2.88	9.50	2.90	9.41	2.92	9.25	2.95	9.10	2.97
						2	10.54	2.85	10.30	2.89	10.09	2.93	9.99	2.95	9.90	2.97	9.73	3.00	9.58	3.03
						7	11.54	2.95	11.30	3.00	11.07	3.04	11.00	3.05	10.87	3.07	10.69	3.10	10.54	3.13
						10	12.55	3.05	12.29	3.10	12.06	3.14	11.95	3.16	11.85	3.18	11.66	3.21	11.49	3.24
						15	13.80	3.17	13.54	3.22	13.29	3.26	13.18	3.28	13.07	3.30	12.87	3.34	12.69	3.37
2500	2500	2500	2500	10000	100%	-15	5.70	2.23	5.52	2.27	5.36	2.30	5.29	2.31	5.23	2.32	5.11	2.35	5.01	2.36
						-10	6.83	2.35	6.64	2.39	6.47	2.42	6.39	2.43	6.32	2.44	6.19	2.47	6.08	2.49
						-5	7.96	2.47	7.76	2.50	7.58	2.54	7.50	2.55	7.42	2.57	7.28	2.59	7.16	2.61
						0	9.09	2.58	8.88	2.62	8.69	2.66	8.60	2.67	8.52	2.69	8.37	2.71	8.24	2.74
						2	9.54	2.63	9.33	2.67	9.14	2.70	9.05	2.72	8.96	2.73	8.81	2.76	8.67	2.79
						7	10.45	2.72	10.23	2.76	10.03	2.80	9.96	2.81	9.84	2.83	9.68	2.86	9.54	2.89
						10	11.36	2.81	11.13	2.85	10.92	2.89	10.82	2.91	10.73	2.93	10.56	2.96	10.41	2.98
						15	12.50	2.92	12.26	2.97	12.04	3.01	11.93	3.03	11.83	3.04	11.65	3.08	11.49	3.11

12. Capacity Table

Combination (Capacity Index)				Combination (Total)	Combination (%)	Outdoor Temperature (°C,DB)	Indoor Temperature(°C, DB)															
							14		16		18		20		21		22		24			
							TC(kW)	PI(kW)	TC(kW)	PI(kW)	TC(kW)	PI(kW)	TC(kW)	PI(kW)	TC(kW)	PI(kW)	TC(kW)	PI(kW)	TC(kW)	PI(kW)		
2500	2500	2500	3500	11000	110%	-15	5.74	2.20	5.56	2.23	5.40	2.26	5.32	2.28	5.26	2.29	5.14	2.31	5.04	2.33		
						-10	6.87	2.32	6.68	2.35	6.51	2.38	6.43	2.40	6.36	2.41	6.23	2.43	6.12	2.45		
						-5	8.01	2.43	7.81	2.47	7.63	2.50	7.54	2.52	7.47	2.53	7.33	2.56	7.21	2.58		
						0	9.15	2.55	8.93	2.58	8.74	2.62	8.66	2.63	8.57	2.65	8.42	2.68	8.29	2.70		
						2	9.60	2.59	9.39	2.63	9.19	2.66	9.10	2.68	9.02	2.70	8.86	2.72	8.73	2.75		
						7	10.51	2.68	10.29	2.72	10.09	2.76	10.02	2.77	9.90	2.79	9.74	2.82	9.60	2.85		
						10	11.43	2.77	11.20	2.81	10.98	2.85	10.89	2.87	10.79	2.88	10.62	2.91	10.47	2.94		
						15	12.57	2.88	12.33	2.92	12.11	2.96	12.00	2.98	11.91	3.00	11.72	3.03	11.56	3.06		
2500	2500	2500	5000	12500	125%	-15	6.18	2.28	5.99	2.32	5.82	2.35	5.74	2.36	5.67	2.37	5.54	2.40	5.43	2.41		
						-10	7.41	2.40	7.20	2.44	7.02	2.47	6.93	2.48	6.86	2.50	6.72	2.52	6.60	2.54		
						-5	8.63	2.52	8.41	2.56	8.22	2.59	8.13	2.61	8.05	2.62	7.90	2.65	7.77	2.67		
						0	9.86	2.64	9.63	2.68	9.42	2.71	9.33	2.73	9.24	2.74	9.08	2.77	8.94	2.80		
						2	10.35	2.68	10.12	2.72	9.91	2.76	9.81	2.78	9.72	2.79	9.55	2.82	9.41	2.85		
						7	11.33	2.78	11.09	2.82	10.87	2.86	10.80	2.87	10.67	2.89	10.50	2.92	10.35	2.95		
						10	12.32	2.87	12.07	2.91	11.84	2.95	11.73	2.97	11.63	2.99	11.45	3.02	11.29	3.05		
						15	13.55	2.98	13.29	3.03	13.05	3.07	12.94	3.09	12.83	3.11	12.64	3.14	12.46	3.17		
2500	2500	2500	6800	14300	143%	-15	6.30	2.34	6.10	2.37	5.92	2.40	5.85	2.42	5.77	2.43	5.64	2.45	5.53	2.47		
						-10	7.54	2.46	7.33	2.50	7.15	2.53	7.06	2.54	6.98	2.56	6.84	2.58	6.72	2.61		
						-5	8.79	2.58	8.57	2.62	8.37	2.65	8.28	2.67	8.20	2.69	8.04	2.71	7.91	2.74		
						0	10.04	2.70	9.81	2.74	9.60	2.78	9.50	2.80	9.41	2.81	9.25	2.84	9.10	2.87		
						2	10.54	2.75	10.30	2.79	10.09	2.83	9.99	2.85	9.90	2.86	9.73	2.89	9.58	2.92		
						7	11.54	2.84	11.30	2.89	11.07	2.93	11.00	2.94	10.87	2.96	10.69	2.99	10.54	3.02		
						10	12.55	2.94	12.29	2.98	12.06	3.02	11.95	3.04	11.85	3.06	11.66	3.09	11.49	3.12		
						15	13.80	3.06	13.54	3.10	13.29	3.15	13.18	3.17	13.07	3.18	12.87	3.22	12.69	3.25		
2500	2500	3500	3500	12000	120%	-15	6.10	2.24	5.91	2.28	5.74	2.30	5.66	2.32	5.59	2.33	5.47	2.35	5.36	2.37		
						-10	7.31	2.36	7.11	2.39	6.93	2.43	6.84	2.44	6.77	2.45	6.63	2.48	6.51	2.50		
						-5	8.52	2.48	8.31	2.51	8.11	2.55	8.03	2.56	7.94	2.58	7.79	2.60	7.67	2.62		
						0	9.73	2.59	9.51	2.63	9.30	2.66	9.21	2.68	9.12	2.70	8.96	2.72	8.82	2.75		
						2	10.22	2.64	9.99	2.68	9.78	2.71	9.68	2.73	9.59	2.74	9.43	2.77	9.28	2.80		
						7	11.19	2.73	10.95	2.77	10.73	2.81	10.66	2.82	10.54	2.84	10.36	2.87	10.21	2.90		
						10	12.16	2.82	11.91	2.86	11.69	2.90	11.58	2.92	11.48	2.94	11.30	2.97	11.14	3.00		
						15	13.38	2.93	13.12	2.98	12.88	3.02	12.77	3.04	12.67	3.05	12.47	3.09	12.30	3.12		
2500	2500	3500	5000	13500	135%	-15	6.22	2.32	6.03	2.36	5.85	2.39	5.78	2.40	5.70	2.41	5.57	2.44	5.47	2.46		
						-10	7.45	2.44	7.25	2.48	7.06	2.51	6.98	2.53	6.90	2.54	6.76	2.57	6.64	2.59		
						-5	8.69	2.56	8.47	2.60	8.27	2.64	8.18	2.65	8.10	2.67	7.95	2.69	7.82	2.72		
						0	9.92	2.68	9.69	2.72	9.49	2.76	9.39	2.78	9.30	2.79	9.14	2.82	9.00	2.85		
						2	10.42	2.73	10.18	2.77	9.97	2.81	9.87	2.83	9.78	2.84	9.61	2.87	9.47	2.90		
						7	11.41	2.83	11.16	2.87	10.94	2.91	10.87	2.92	10.74	2.94	10.57	2.97	10.41	3.00		
						10	12.40	2.92	12.15	2.96	11.92	3.00	11.81	3.02	11.71	3.04	11.52	3.07	11.36	3.10		
						15	13.64	3.04	13.38	3.08	13.13	3.12	13.02	3.14	12.92	3.16	12.72	3.20	12.54	3.23		
2500	2500	3500	6800	15300	153%	-15	6.30	2.38	6.10	2.41	5.92	2.44	5.85	2.46	5.77	2.47	5.64	2.50	5.53	2.52		
						-10	7.54	2.50	7.33	2.54	7.15	2.57	7.06	2.59	6.98	2.60	6.84	2.63	6.72	2.65		
						-5	8.79	2.62	8.57	2.66	8.37	2.70	8.28	2.72	8.20	2.73	8.04	2.76	7.91	2.78		
						0	10.04	2.75	9.81	2.79	9.60	2.83	9.50	2.84	9.41	2.86	9.25	2.89	9.10	2.91		
						2	10.54	2.80	10.30	2.84	10.09	2.88	9.99	2.89	9.90	2.91	9.73	2.94	9.58	2.97		
						7	11.54	2.89	11.30	2.94	11.07	2.98	11.00	2.99	10.87	3.01	10.69	3.04	10.54	3.07		
						10	12.55	2.99	12.29	3.03	12.06	3.08	11.95	3.09	11.85	3.11	11.66	3.15	11.49	3.18		
						15	13.80	3.11	13.54	3.16	13.29	3.20	13.18	3.22	13.07	3.24	12.87	3.27	12.69	3.31		

12. Capacity Table

Combination (Capacity Index)				Combination (Total)	Combination (%)	Outdoor Temperature (°C, DB)	Indoor Temperature(°C, DB)													
							14		16		18		20		21		22		24	
							TC(kW)	PI(kW)	TC(kW)	PI(kW)	TC(kW)	PI(kW)	TC(kW)	PI(kW)	TC(kW)	PI(kW)	TC(kW)	PI(kW)	TC(kW)	PI(kW)
2500	2500	5000	5000	15000	150%	-15	6.30	2.37	6.10	2.40	5.92	2.44	5.85	2.45	5.77	2.46	5.64	2.49	5.53	2.51
						-10	7.54	2.49	7.33	2.53	7.15	2.56	7.06	2.58	6.98	2.59	6.84	2.62	6.72	2.64
						-5	8.79	2.62	8.57	2.66	8.37	2.69	8.28	2.71	8.20	2.72	8.04	2.75	7.91	2.77
						0	10.04	2.74	9.81	2.78	9.60	2.82	9.50	2.83	9.41	2.85	9.25	2.88	9.10	2.90
						2	10.54	2.79	10.30	2.83	10.09	2.87	9.99	2.88	9.90	2.90	9.73	2.93	9.58	2.96
						7	11.54	2.88	11.30	2.93	11.07	2.97	11.00	2.98	10.87	3.00	10.69	3.03	10.54	3.06
						10	12.55	2.98	12.29	3.02	12.06	3.07	11.95	3.08	11.85	3.10	11.66	3.14	11.49	3.17
						15	13.80	3.10	13.54	3.15	13.29	3.19	13.18	3.21	13.07	3.23	12.87	3.26	12.69	3.29
2500	2500	5000	6800	16800	168%	-15	6.30	2.46	6.10	2.49	5.92	2.53	5.85	2.54	5.77	2.55	5.64	2.58	5.53	2.60
						-10	7.54	2.59	7.33	2.62	7.15	2.66	7.06	2.67	6.98	2.69	6.84	2.72	6.72	2.74
						-5	8.79	2.71	8.57	2.75	8.37	2.79	8.28	2.81	8.20	2.82	8.04	2.85	7.91	2.88
						0	10.04	2.84	9.81	2.88	9.60	2.92	9.50	2.94	9.41	2.95	9.25	2.99	9.10	3.01
						2	10.54	2.89	10.30	2.93	10.09	2.97	9.99	2.99	9.90	3.01	9.73	3.04	9.58	3.07
						7	11.54	2.99	11.30	3.03	11.07	3.08	11.00	3.09	10.87	3.11	10.69	3.15	10.54	3.17
						10	12.55	3.09	12.29	3.14	12.06	3.18	11.95	3.20	11.85	3.22	11.66	3.25	11.49	3.28
						15	13.80	3.21	13.54	3.26	13.29	3.31	13.18	3.33	13.07	3.35	12.87	3.38	12.69	3.42
2500	3500	3500	3500	13000	130%	-15	6.15	2.25	5.96	2.28	5.79	2.31	5.71	2.33	5.64	2.34	5.51	2.36	5.41	2.38
						-10	7.37	2.37	7.17	2.40	6.98	2.43	6.90	2.45	6.82	2.46	6.68	2.49	6.57	2.51
						-5	8.59	2.48	8.38	2.52	8.18	2.55	8.09	2.57	8.01	2.58	7.86	2.61	7.73	2.63
						0	9.81	2.60	9.59	2.64	9.38	2.67	9.29	2.69	9.20	2.71	9.04	2.73	8.90	2.76
						2	10.30	2.65	10.07	2.69	9.86	2.72	9.76	2.74	9.67	2.75	9.51	2.78	9.36	2.81
						7	11.28	2.74	11.04	2.78	10.82	2.82	10.75	2.83	10.63	2.85	10.45	2.88	10.30	2.91
						10	12.26	2.83	12.01	2.87	11.78	2.91	11.68	2.93	11.58	2.95	11.39	2.98	11.23	3.01
						15	13.49	2.94	13.23	2.99	12.99	3.03	12.88	3.05	12.77	3.07	12.58	3.10	12.40	3.13
2500	3500	3500	5000	14500	145%	-15	6.30	2.33	6.10	2.36	5.92	2.39	5.85	2.41	5.77	2.42	5.64	2.45	5.53	2.46
						-10	7.54	2.45	7.33	2.49	7.15	2.52	7.06	2.54	6.98	2.55	6.84	2.57	6.72	2.60
						-5	8.79	2.57	8.57	2.61	8.37	2.65	8.28	2.66	8.20	2.68	8.04	2.70	7.91	2.73
						0	10.04	2.69	9.81	2.73	9.60	2.77	9.50	2.79	9.41	2.80	9.25	2.83	9.10	2.86
						2	10.54	2.74	10.30	2.78	10.09	2.82	9.99	2.84	9.90	2.85	9.73	2.88	9.58	2.91
						7	11.54	2.84	11.30	2.88	11.07	2.92	11.00	2.93	10.87	2.95	10.69	2.98	10.54	3.01
						10	12.55	2.93	12.29	2.97	12.06	3.01	11.95	3.03	11.85	3.05	11.66	3.08	11.49	3.11
						15	13.80	3.05	13.54	3.09	13.29	3.13	13.18	3.15	13.07	3.17	12.87	3.21	12.69	3.24
2500	3500	3500	6800	16300	163%	-15	6.30	2.38	6.10	2.41	5.92	2.44	5.85	2.46	5.77	2.47	5.64	2.50	5.53	2.52
						-10	7.54	2.50	7.33	2.54	7.15	2.57	7.06	2.59	6.98	2.60	6.84	2.63	6.72	2.65
						-5	8.79	2.62	8.57	2.66	8.37	2.70	8.28	2.72	8.20	2.73	8.04	2.76	7.91	2.78
						0	10.04	2.75	9.81	2.79	9.60	2.83	9.50	2.84	9.41	2.86	9.25	2.89	9.10	2.91
						2	10.54	2.80	10.30	2.84	10.09	2.88	9.99	2.89	9.90	2.91	9.73	2.94	9.58	2.97
						7	11.54	2.89	11.30	2.94	11.07	2.98	11.00	2.99	10.87	3.01	10.69	3.04	10.54	3.07
						10	12.55	2.99	12.29	3.03	12.06	3.08	11.95	3.09	11.85	3.11	11.66	3.15	11.49	3.18
						15	13.80	3.11	13.54	3.16	13.29	3.20	13.18	3.22	13.07	3.24	12.87	3.27	12.69	3.31
2500	3500	5000	5000	16000	160%	-15	6.30	2.38	6.10	2.41	5.92	2.44	5.85	2.46	5.77	2.47	5.64	2.50	5.53	2.52
						-10	7.54	2.50	7.33	2.54	7.15	2.57	7.06	2.59	6.98	2.60	6.84	2.63	6.72	2.65
						-5	8.79	2.62	8.57	2.66	8.37	2.70	8.28	2.72	8.20	2.73	8.04	2.76	7.91	2.78
						0	10.04	2.75	9.81	2.79	9.60	2.83	9.50	2.84	9.41	2.86	9.25	2.89	9.10	2.91
						2	10.54	2.80	10.30	2.84	10.09	2.88	9.99	2.89	9.90	2.91	9.73	2.94	9.58	2.97
						7	11.54	2.89	11.30	2.94	11.07	2.98	11.00	2.99	10.87	3.01	10.69	3.04	10.54	3.07
						10	12.55	2.99	12.29	3.03	12.06	3.08	11.95	3.09	11.85	3.11	11.66	3.15	11.49	3.18
						15	13.80	3.11	13.54	3.16	13.29	3.20	13.18	3.22	13.07	3.24	12.87	3.27	12.69	3.31

12. Capacity Table

Combination (Capacity Index)				Combination (Total)	Combination (%)	Outdoor Temperature (°C, DB)	Indoor Temperature(°C, DB)															
							14		16		18		20		21		22		24			
							TC(kW)	PI(kW)	TC(kW)	PI(kW)	TC(kW)	PI(kW)	TC(kW)	PI(kW)	TC(kW)	PI(kW)	TC(kW)	PI(kW)	TC(kW)	PI(kW)		
3500	3500	3500	3500	14000	140%	-15	6.18	2.28	5.99	2.32	5.82	2.35	5.74	2.36	5.67	2.37	5.54	2.40	5.43	2.41		
						-10	7.41	2.40	7.20	2.44	7.02	2.47	6.93	2.48	6.86	2.50	6.72	2.52	6.60	2.54		
						-5	8.63	2.52	8.41	2.56	8.22	2.59	8.13	2.61	8.05	2.62	7.90	2.65	7.77	2.67		
						0	9.86	2.64	9.63	2.68	9.42	2.71	9.33	2.73	9.24	2.74	9.08	2.77	8.94	2.80		
						2	10.35	2.68	10.12	2.72	9.91	2.76	9.81	2.78	9.72	2.79	9.55	2.82	9.41	2.85		
						7	11.33	2.78	11.09	2.82	10.87	2.86	10.80	2.87	10.67	2.89	10.50	2.92	10.35	2.95		
						10	12.32	2.87	12.07	2.91	11.84	2.95	11.73	2.97	11.63	2.99	11.45	3.02	11.29	3.05		
						15	13.55	2.98	13.29	3.03	13.05	3.07	12.94	3.09	12.83	3.11	12.64	3.14	12.46	3.17		
3500	3500	3500	5000	15500	155%	-15	6.30	2.33	6.10	2.36	5.92	2.39	5.85	2.41	5.77	2.42	5.64	2.45	5.53	2.46		
						-10	7.54	2.45	7.33	2.49	7.15	2.52	7.06	2.54	6.98	2.55	6.84	2.57	6.72	2.60		
						-5	8.79	2.57	8.57	2.61	8.37	2.65	8.28	2.66	8.20	2.68	8.04	2.70	7.91	2.73		
						0	10.04	2.69	9.81	2.73	9.60	2.77	9.50	2.79	9.41	2.80	9.25	2.83	9.10	2.86		
						2	10.54	2.74	10.30	2.78	10.09	2.82	9.99	2.84	9.90	2.85	9.73	2.88	9.58	2.91		
						7	11.54	2.84	11.30	2.88	11.07	2.92	11.00	2.93	10.87	2.95	10.69	2.98	10.54	3.01		
						10	12.55	2.93	12.29	2.97	12.06	3.01	11.95	3.03	11.85	3.05	11.66	3.08	11.49	3.11		
						15	13.80	3.05	13.54	3.09	13.29	3.13	13.18	3.15	13.07	3.17	12.87	3.21	12.69	3.24		
3500	3500	3500	6800	17300	173%	-15	6.30	2.42	6.10	2.45	5.92	2.48	5.85	2.50	5.77	2.51	5.64	2.54	5.53	2.56		
						-10	7.54	2.54	7.33	2.58	7.15	2.61	7.06	2.63	6.98	2.65	6.84	2.67	6.72	2.69		
						-5	8.79	2.67	8.57	2.71	8.37	2.74	8.28	2.76	8.20	2.78	8.04	2.80	7.91	2.83		
						0	10.04	2.79	9.81	2.84	9.60	2.87	9.50	2.89	9.41	2.91	9.25	2.94	9.10	2.96		
						2	10.54	2.84	10.30	2.89	10.09	2.92	9.99	2.94	9.90	2.96	9.73	2.99	9.58	3.02		
						7	11.54	2.94	11.30	2.99	11.07	3.03	11.00	3.04	10.87	3.06	10.69	3.09	10.54	3.12		
						10	12.55	3.04	12.29	3.09	12.06	3.13	11.95	3.15	11.85	3.16	11.66	3.20	11.49	3.23		
						15	13.80	3.16	13.54	3.21	13.29	3.25	13.18	3.27	13.07	3.29	12.87	3.33	12.69	3.36		
3500	3500	5000	5000	17000	170%	-15	6.30	2.42	6.10	2.45	5.92	2.48	5.85	2.50	5.77	2.51	5.64	2.54	5.53	2.56		
						-10	7.54	2.54	7.33	2.58	7.15	2.61	7.06	2.63	6.98	2.65	6.84	2.67	6.72	2.69		
						-5	8.79	2.67	8.57	2.71	8.37	2.74	8.28	2.76	8.20	2.78	8.04	2.80	7.91	2.83		
						0	10.04	2.79	9.81	2.84	9.60	2.87	9.50	2.89	9.41	2.91	9.25	2.94	9.10	2.96		
						2	10.54	2.84	10.30	2.89	10.09	2.92	9.99	2.94	9.90	2.96	9.73	2.99	9.58	3.02		
						7	11.54	2.94	11.30	2.99	11.07	3.03	11.00	3.04	10.87	3.06	10.69	3.09	10.54	3.12		
						10	12.55	3.04	12.29	3.09	12.06	3.13	11.95	3.15	11.85	3.16	11.66	3.20	11.49	3.23		
						15	13.80	3.16	13.54	3.21	13.29	3.25	13.18	3.27	13.07	3.29	12.87	3.33	12.69	3.36		
2000	2000	2000	2000	10000	100%	-15	6.30	2.36	6.10	2.40	5.92	2.43	5.85	2.44	5.77	2.45	5.64	2.48	5.53	2.50		
						-10	7.54	2.48	7.33	2.52	7.15	2.55	7.06	2.57	6.98	2.58	6.84	2.61	6.72	2.63		
						-5	8.79	2.61	8.57	2.65	8.37	2.68	8.28	2.70	8.20	2.71	8.04	2.74	7.91	2.76		
						0	10.04	2.73	9.81	2.77	9.60	2.81	9.50	2.82	9.41	2.84	9.25	2.87	9.10	2.90		
						2	10.54	2.78	10.30	2.82	10.09	2.86	9.99	2.87	9.90	2.89	9.73	2.92	9.58	2.95		
						7	11.54	2.87	11.30	2.92	11.07	2.96	11.00	2.97	10.87	2.99	10.69	3.02	10.54	3.05		
						10	12.55	2.97	12.29	3.01	12.06	3.05	11.95	3.07	11.85	3.09	11.66	3.13	11.49	3.15		
						15	13.80	3.09	13.54	3.14	13.29	3.18	13.18	3.20	13.07	3.22	12.87	3.25	12.69	3.28		
2000	2000	2000	2500	10500	105%	-15	6.55	2.33	6.34	2.36	6.16	2.39	6.08	2.41	6.00	2.42	5.87	2.45	5.75	2.46		
						-10	7.84	2.45	7.63	2.49	7.43	2.52	7.34	2.54	7.26	2.55	7.11	2.57	6.99	2.60		
						-5	9.14	2.57	8.91	2.61	8.71	2.65	8.61	2.66	8.52	2.68	8.36	2.70	8.23	2.73		
						0	10.44	2.69	10.20	2.73	9.98	2.77	9.88	2.79	9.79	2.80	9.62	2.83	9.47	2.86		
						2	10.96	2.74	10.72	2.78	10.49	2.82	10.39	2.84	10.29	2.85	10.12	2.88	9.96	2.91		
						7	12.01	2.84	11.75	2.88	11.52	2.92	11.44	2.93	11.31	2.95	11.12	2.98	10.96	3.01		
						10	13.05	2.93	12.78	2.97	12.54	3.01	12.43	3.03	12.32	3.05	12.13	3.08	11.95	3.11		
						15	14.35	3.05	14.08	3.09	13.82	3.13	13.71	3.15	13.59	3.17	13.38	3.21	13.20	3.24		

12. Capacity Table

Combination (Capacity Index)					Combination (Total)	Combination (%)	Outdoor Temperature (°C, DB)	Indoor Temperature(°C, DB)													
								14		16		18		20		21		22		24	
								TC(kW)	PI(kW)	TC(kW)	PI(kW)	TC(kW)	PI(kW)	TC(kW)	PI(kW)	TC(kW)	PI(kW)	TC(kW)	PI(kW)	TC(kW)	PI(kW)
2000	2000	2000	2000	3500	11500	115%	-15	6.63	2.37	6.42	2.40	6.24	2.44	6.15	2.45	6.08	2.46	5.94	2.49	5.82	2.51
							-10	7.94	2.49	7.72	2.53	7.52	2.56	7.43	2.58	7.35	2.59	7.20	2.62	7.07	2.64
							-5	9.25	2.62	9.02	2.66	8.81	2.69	8.72	2.71	8.63	2.72	8.47	2.75	8.33	2.77
							0	10.57	2.74	10.33	2.78	10.10	2.82	10.00	2.83	9.91	2.85	9.73	2.88	9.58	2.90
							2	11.10	2.79	10.85	2.83	10.62	2.87	10.52	2.88	10.42	2.90	10.24	2.93	10.09	2.96
							7	12.15	2.88	11.89	2.93	11.66	2.97	11.58	2.98	11.45	3.00	11.26	3.03	11.09	3.06
							10	13.21	2.98	12.94	3.02	12.69	3.07	12.58	3.08	12.47	3.10	12.27	3.14	12.10	3.17
2000	2000	2000	2000	5000	13000	130%	-15	6.58	2.42	6.38	2.45	6.19	2.48	6.11	2.50	6.03	2.51	5.90	2.54	5.78	2.56
							-10	7.89	2.54	7.67	2.58	7.47	2.61	7.38	2.63	7.30	2.65	7.15	2.67	7.03	2.69
							-5	9.19	2.67	8.96	2.71	8.75	2.74	8.66	2.76	8.57	2.78	8.41	2.80	8.27	2.83
							0	10.50	2.79	10.25	2.84	10.04	2.87	9.93	2.89	9.84	2.91	9.67	2.94	9.52	2.96
							2	11.02	2.84	10.77	2.89	10.55	2.92	10.45	2.94	10.35	2.96	10.17	2.99	10.02	3.02
							7	12.07	2.94	11.81	2.99	11.58	3.03	11.50	3.04	11.37	3.06	11.18	3.09	11.02	3.12
							10	13.12	3.04	12.85	3.09	12.61	3.13	12.49	3.15	12.39	3.16	12.19	3.20	12.02	3.23
2000	2000	2000	2000	6800	14800	148%	-15	6.83	2.50	6.62	2.53	6.43	2.57	6.34	2.58	6.26	2.60	6.12	2.62	6.00	2.64
							-10	8.18	2.63	7.95	2.67	7.75	2.70	7.66	2.72	7.57	2.73	7.42	2.76	7.29	2.78
							-5	9.53	2.76	9.29	2.80	9.08	2.83	8.98	2.85	8.89	2.87	8.72	2.90	8.58	2.92
							0	10.89	2.89	10.64	2.93	10.41	2.97	10.31	2.99	10.21	3.00	10.03	3.03	9.87	3.06
							2	11.43	2.94	11.18	2.98	10.94	3.02	10.84	3.04	10.73	3.06	10.55	3.09	10.39	3.12
							7	12.52	3.04	12.25	3.08	12.01	3.13	11.93	3.14	11.79	3.16	11.60	3.20	11.43	3.23
							10	13.61	3.14	13.33	3.19	13.08	3.23	12.96	3.25	12.85	3.27	12.65	3.30	12.47	3.34
2000	2000	2000	2500	2500	11000	110%	-15	6.70	2.40	6.49	2.44	6.31	2.47	6.22	2.48	6.14	2.50	6.00	2.52	5.89	2.54
							-10	8.03	2.53	7.81	2.56	7.61	2.60	7.52	2.61	7.43	2.63	7.28	2.65	7.15	2.68
							-5	9.36	2.65	9.12	2.69	8.91	2.73	8.82	2.74	8.72	2.76	8.56	2.79	8.42	2.81
							0	10.69	2.78	10.44	2.82	10.22	2.85	10.12	2.87	10.02	2.89	9.84	2.92	9.69	2.94
							2	11.22	2.82	10.97	2.87	10.74	2.90	10.64	2.92	10.54	2.94	10.36	2.97	10.20	3.00
							7	12.29	2.92	12.03	2.97	11.79	3.01	11.71	3.02	11.57	3.04	11.38	3.07	11.22	3.10
							10	13.36	3.02	13.08	3.06	12.84	3.11	12.72	3.13	12.61	3.14	12.41	3.18	12.24	3.21
2000	2000	2000	2500	3500	12000	120%	-15	6.80	2.37	6.59	2.40	6.40	2.44	6.31	2.45	6.23	2.46	6.09	2.49	5.97	2.51
							-10	8.15	2.49	7.92	2.53	7.72	2.56	7.63	2.58	7.54	2.59	7.39	2.62	7.26	2.64
							-5	9.49	2.62	9.26	2.66	9.04	2.69	8.94	2.71	8.85	2.72	8.69	2.75	8.54	2.77
							0	10.84	2.74	10.59	2.78	10.37	2.82	10.26	2.83	10.16	2.85	9.99	2.88	9.83	2.90
							2	11.38	2.79	11.13	2.83	10.90	2.87	10.79	2.88	10.69	2.90	10.51	2.93	10.35	2.96
							7	12.47	2.88	12.20	2.93	11.96	2.97	11.88	2.98	11.74	3.00	11.55	3.03	11.38	3.06
							10	13.55	2.98	13.27	3.02	13.02	3.07	12.91	3.08	12.80	3.10	12.59	3.14	12.41	3.17
2000	2000	2000	2500	5000	13500	135%	-15	6.74	2.45	6.53	2.48	6.34	2.52	6.26	2.53	6.18	2.55	6.04	2.57	5.92	2.59
							-10	8.08	2.58	7.85	2.62	7.65	2.65	7.56	2.67	7.48	2.68	7.33	2.71	7.20	2.73
							-5	9.41	2.70	9.18	2.74	8.97	2.78	8.87	2.80	8.78	2.81	8.61	2.84	8.47	2.87
							0	10.75	2.83	10.50	2.87	10.28	2.91	10.18	2.93	10.08	2.95	9.90	2.98	9.75	3.00
							2	11.29	2.88	11.04	2.92	10.81	2.96	10.70	2.98	10.60	3.00	10.42	3.03	10.26	3.06
							7	12.36	2.98	12.10	3.02	11.86	3.07	11.78	3.08	11.64	3.10	11.45	3.14	11.28	3.16
							10	13.44	3.08	13.16	3.13	12.91	3.17	12.80	3.19	12.69	3.21	12.49	3.24	12.31	3.27
15	14.78	3.20	14.50	3.25	14.23	3.30	14.11	3.32	14.00	3.34	13.78	3.37	13.59	3.40							

12. Capacity Table

Combination (Capacity Index)					Combination (Total)	Combination (%)	Outdoor Temperature (°C,DB)	Indoor Temperature(°C, DB)															
								14		16		18		20		21		22		24			
								TC(kW)	PI(kW)	TC(kW)	PI(kW)	TC(kW)	PI(kW)	TC(kW)	PI(kW)	TC(kW)	PI(kW)	TC(kW)	PI(kW)	TC(kW)	PI(kW)		
2000	2000	2000	2500	6800	15300	153%	-15	6.87	2.54	6.65	2.57	6.46	2.61	6.38	2.62	6.30	2.64	6.15	2.66	6.04	2.68		
							-10	8.23	2.67	8.00	2.71	7.80	2.74	7.70	2.76	7.62	2.78	7.46	2.80	7.33	2.83		
							-5	9.59	2.80	9.35	2.84	9.13	2.88	9.03	2.90	8.94	2.91	8.77	2.94	8.63	2.97		
							0	10.95	2.93	10.70	2.97	10.47	3.01	10.37	3.03	10.27	3.05	10.09	3.08	9.93	3.11		
							2	11.50	2.98	11.24	3.03	11.01	3.07	10.90	3.09	10.80	3.10	10.61	3.14	10.45	3.17		
							7	12.59	3.09	12.32	3.13	12.08	3.18	12.00	3.19	11.86	3.21	11.67	3.25	11.49	3.28		
							10	13.69	3.19	13.41	3.24	13.15	3.28	13.04	3.30	12.93	3.32	12.72	3.36	12.54	3.39		
							15	15.06	3.32	14.77	3.37	14.50	3.41	14.38	3.43	14.26	3.45	14.04	3.49	13.85	3.53		
2000	2000	2000	3500	3500	13000	130%	-15	6.57	2.41	6.36	2.44	6.18	2.48	6.09	2.49	6.02	2.50	5.88	2.53	5.77	2.55		
							-10	7.87	2.53	7.65	2.57	7.45	2.61	7.36	2.62	7.28	2.64	7.13	2.66	7.01	2.68		
							-5	9.17	2.66	8.94	2.70	8.73	2.74	8.63	2.75	8.55	2.77	8.39	2.80	8.25	2.82		
							0	10.47	2.78	10.23	2.83	10.01	2.86	9.91	2.88	9.81	2.90	9.64	2.93	9.49	2.95		
							2	10.99	2.83	10.74	2.88	10.52	2.91	10.42	2.93	10.32	2.95	10.14	2.98	9.99	3.01		
							7	12.04	2.93	11.78	2.98	11.55	3.02	11.47	3.03	11.34	3.05	11.15	3.08	10.99	3.11		
							10	13.08	3.03	12.82	3.08	12.57	3.12	12.46	3.14	12.35	3.15	12.16	3.19	11.99	3.22		
							15	14.39	3.15	14.11	3.20	13.86	3.24	13.74	3.26	13.63	3.28	13.42	3.32	13.23	3.35		
2000	2000	2000	3500	5000	14500	145%	-15	6.84	2.49	6.62	2.53	6.43	2.56	6.34	2.57	6.26	2.59	6.12	2.61	6.00	2.63		
							-10	8.19	2.62	7.96	2.66	7.76	2.69	7.67	2.71	7.58	2.72	7.42	2.75	7.29	2.77		
							-5	9.54	2.75	9.30	2.79	9.09	2.83	8.99	2.84	8.90	2.86	8.73	2.89	8.59	2.91		
							0	10.90	2.88	10.65	2.92	10.42	2.96	10.31	2.98	10.22	2.99	10.04	3.02	9.88	3.05		
							2	11.44	2.93	11.19	2.97	10.95	3.01	10.84	3.03	10.74	3.05	10.56	3.08	10.40	3.11		
							7	12.53	3.03	12.26	3.07	12.02	3.12	11.94	3.13	11.80	3.15	11.61	3.19	11.44	3.22		
							10	13.62	3.13	13.34	3.18	13.09	3.22	12.97	3.24	12.86	3.26	12.66	3.29	12.48	3.32		
							15	14.98	3.26	14.69	3.30	14.43	3.35	14.30	3.37	14.19	3.39	13.97	3.43	13.78	3.46		
2000	2000	2000	3500	6800	16300	163%	-15	6.87	2.58	6.65	2.61	6.46	2.65	6.38	2.66	6.30	2.68	6.15	2.70	6.04	2.73		
							-10	8.23	2.71	8.00	2.75	7.80	2.79	7.70	2.80	7.62	2.82	7.46	2.85	7.33	2.87		
							-5	9.59	2.84	9.35	2.89	9.13	2.92	9.03	2.94	8.94	2.96	8.77	2.99	8.63	3.02		
							0	10.95	2.98	10.70	3.02	10.47	3.06	10.37	3.08	10.27	3.10	10.09	3.13	9.93	3.16		
							2	11.50	3.03	11.24	3.08	11.01	3.12	10.90	3.14	10.80	3.15	10.61	3.19	10.45	3.22		
							7	12.59	3.14	12.32	3.18	12.08	3.22	12.00	3.24	11.86	3.26	11.67	3.30	11.49	3.33		
							10	13.69	3.24	13.41	3.29	13.15	3.33	13.04	3.35	12.93	3.37	12.72	3.41	12.54	3.44		
							15	15.06	3.37	14.77	3.42	14.50	3.47	14.38	3.49	14.26	3.51	14.04	3.55	13.85	3.58		
2000	2000	2000	5000	5000	16000	160%	-15	6.87	2.57	6.65	2.61	6.46	2.64	6.38	2.66	6.30	2.67	6.15	2.70	6.04	2.72		
							-10	8.23	2.70	8.00	2.74	7.80	2.78	7.70	2.79	7.62	2.81	7.46	2.84	7.33	2.86		
							-5	9.59	2.84	9.35	2.88	9.13	2.92	9.03	2.93	8.94	2.95	8.77	2.98	8.63	3.01		
							0	10.95	2.97	10.70	3.01	10.47	3.05	10.37	3.07	10.27	3.09	10.09	3.12	9.93	3.15		
							2	11.50	3.02	11.24	3.07	11.01	3.11	10.90	3.13	10.80	3.14	10.61	3.18	10.45	3.21		
							7	12.59	3.13	12.32	3.17	12.08	3.21	12.00	3.23	11.86	3.25	11.67	3.29	11.49	3.32		
							10	13.69	3.23	13.41	3.28	13.15	3.32	13.04	3.34	12.93	3.36	12.72	3.40	12.54	3.43		
							15	15.06	3.36	14.77	3.41	14.50	3.46	14.38	3.48	14.26	3.50	14.04	3.54	13.85	3.57		
2000	2000	2500	2500	2500	11500	115%	-15	6.85	2.40	6.63	2.44	6.44	2.47	6.36	2.48	6.27	2.50	6.13	2.52	6.01	2.54		
							-10	8.20	2.53	7.97	2.56	7.77	2.60	7.68	2.61	7.59	2.63	7.44	2.65	7.31	2.68		
							-5	9.56	2.65	9.32	2.69	9.10	2.73	9.00	2.74	8.91	2.76	8.74	2.79	8.60	2.81		
							0	10.92	2.78	10.66	2.82	10.44	2.85	10.33	2.87	10.23	2.89	10.05	2.92	9.90	2.94		
							2	11.46	2.82	11.20	2.87	10.97	2.90	10.86	2.92	10.76	2.94	10.58	2.97	10.42	3.00		
							7	12.55	2.92	12.28	2.97	12.04	3.01	11.96	3.02	11.82	3.04	11.63	3.07	11.46	3.10		
							10	13.64	3.02	13.36	3.06	13.11	3.11	12.99	3.13	12.88	3.14	12.68	3.18	12.50	3.21		
							15	15.01	3.14	14.72	3.19	14.45	3.23	14.33	3.25	14.21	3.27	13.99	3.31	13.80	3.34		

12. Capacity Table

Combination (Capacity Index)					Combination (Total)	Combination (%)	Outdoor Temperature (°C, DB)	Indoor Temperature(°C, DB)													
								14		16		18		20		21		22		24	
								TC(kW)	PI(kW)	TC(kW)	PI(kW)	TC(kW)	PI(kW)	TC(kW)	PI(kW)	TC(kW)	PI(kW)	TC(kW)	PI(kW)	TC(kW)	PI(kW)
2000	2000	2500	2500	3500	12500	125%	-15	6.61	2.44	6.40	2.48	6.22	2.51	6.13	2.52	6.05	2.54	5.92	2.56	5.80	2.58
							-10	7.91	2.57	7.69	2.61	7.50	2.64	7.41	2.66	7.33	2.67	7.18	2.70	7.05	2.72
							-5	9.22	2.70	8.99	2.74	8.78	2.77	8.69	2.79	8.60	2.80	8.44	2.83	8.30	2.86
							0	10.53	2.82	10.29	2.86	10.07	2.90	9.97	2.92	9.87	2.94	9.70	2.97	9.55	2.99
							2	11.06	2.87	10.81	2.91	10.59	2.95	10.48	2.97	10.38	2.99	10.21	3.02	10.05	3.05
							7	12.11	2.97	11.85	3.02	11.62	3.06	11.54	3.07	11.41	3.09	11.22	3.13	11.05	3.15
							10	13.16	3.07	12.89	3.12	12.65	3.16	12.54	3.18	12.43	3.20	12.23	3.23	12.06	3.26
2000	2000	2500	2500	5000	14000	140%	-15	6.87	2.52	6.65	2.56	6.46	2.59	6.38	2.61	6.30	2.62	6.15	2.65	6.04	2.67
							-10	8.23	2.65	8.00	2.69	7.80	2.73	7.70	2.74	7.62	2.76	7.46	2.79	7.33	2.81
							-5	9.59	2.78	9.35	2.82	9.13	2.86	9.03	2.88	8.94	2.90	8.77	2.92	8.63	2.95
							0	10.95	2.91	10.70	2.96	10.47	3.00	10.37	3.01	10.27	3.03	10.09	3.06	9.93	3.09
							2	11.50	2.96	11.24	3.01	11.01	3.05	10.90	3.07	10.80	3.09	10.61	3.12	10.45	3.15
							7	12.59	3.07	12.32	3.11	12.08	3.16	12.00	3.17	11.86	3.19	11.67	3.23	11.49	3.26
							10	13.69	3.17	13.41	3.22	13.15	3.26	13.04	3.28	12.93	3.30	12.72	3.34	12.54	3.37
2000	2000	2500	2500	6800	15800	158%	-15	6.87	2.61	6.65	2.65	6.46	2.68	6.38	2.70	6.30	2.71	6.15	2.74	6.04	2.76
							-10	8.23	2.74	8.00	2.78	7.80	2.82	7.70	2.84	7.62	2.85	7.46	2.88	7.33	2.91
							-5	9.59	2.88	9.35	2.92	9.13	2.96	9.03	2.98	8.94	3.00	8.77	3.03	8.63	3.05
							0	10.95	3.01	10.70	3.06	10.47	3.10	10.37	3.12	10.27	3.14	10.09	3.17	9.93	3.20
							2	11.50	3.07	11.24	3.11	11.01	3.15	10.90	3.17	10.80	3.19	10.61	3.23	10.45	3.25
							7	12.59	3.17	12.32	3.22	12.08	3.26	12.00	3.28	11.86	3.30	11.67	3.34	11.49	3.37
							10	13.69	3.28	13.41	3.33	13.15	3.37	13.04	3.39	12.93	3.41	12.72	3.45	12.54	3.48
2000	2000	2500	3500	3500	13500	135%	-15	6.72	2.44	6.50	2.48	6.32	2.51	6.23	2.52	6.15	2.54	6.01	2.56	5.90	2.58
							-10	8.04	2.57	7.82	2.61	7.62	2.64	7.53	2.66	7.45	2.67	7.29	2.70	7.17	2.72
							-5	9.37	2.70	9.14	2.74	8.93	2.77	8.83	2.79	8.74	2.80	8.58	2.83	8.44	2.86
							0	10.71	2.82	10.46	2.86	10.24	2.90	10.13	2.92	10.04	2.94	9.86	2.97	9.71	2.99
							2	11.24	2.87	10.99	2.91	10.76	2.95	10.65	2.97	10.55	2.99	10.37	3.02	10.22	3.05
							7	12.31	2.97	12.05	3.02	11.81	3.06	11.73	3.07	11.59	3.09	11.40	3.13	11.24	3.15
							10	13.38	3.07	13.11	3.12	12.86	3.16	12.74	3.18	12.63	3.20	12.43	3.23	12.26	3.26
2000	2000	2500	3500	5000	15000	150%	-15	6.87	2.52	6.65	2.56	6.46	2.59	6.38	2.61	6.30	2.62	6.15	2.65	6.04	2.67
							-10	8.23	2.65	8.00	2.69	7.80	2.73	7.70	2.74	7.62	2.76	7.46	2.79	7.33	2.81
							-5	9.59	2.78	9.35	2.82	9.13	2.86	9.03	2.88	8.94	2.90	8.77	2.92	8.63	2.95
							0	10.95	2.91	10.70	2.96	10.47	3.00	10.37	3.01	10.27	3.03	10.09	3.06	9.93	3.09
							2	11.50	2.96	11.24	3.01	11.01	3.05	10.90	3.07	10.80	3.09	10.61	3.12	10.45	3.15
							7	12.59	3.07	12.32	3.11	12.08	3.16	12.00	3.17	11.86	3.19	11.67	3.23	11.49	3.26
							10	13.69	3.17	13.41	3.22	13.15	3.26	13.04	3.28	12.93	3.30	12.72	3.34	12.54	3.37
2000	2000	2500	3500	6800	16800	168%	-15	6.87	2.61	6.65	2.65	6.46	2.68	6.38	2.70	6.30	2.71	6.15	2.74	6.04	2.76
							-10	8.23	2.74	8.00	2.78	7.80	2.82	7.70	2.84	7.62	2.85	7.46	2.88	7.33	2.91
							-5	9.59	2.88	9.35	2.92	9.13	2.96	9.03	2.98	8.94	3.00	8.77	3.03	8.63	3.05
							0	10.95	3.01	10.70	3.06	10.47	3.10	10.37	3.12	10.27	3.14	10.09	3.17	9.93	3.20
							2	11.50	3.07	11.24	3.11	11.01	3.15	10.90	3.17	10.80	3.19	10.61	3.23	10.45	3.25
							7	12.59	3.17	12.32	3.22	12.08	3.26	12.00	3.28	11.86	3.30	11.67	3.34	11.49	3.37
							10	13.69	3.28	13.41	3.33	13.15	3.37	13.04	3.39	12.93	3.41	12.72	3.45	12.54	3.48

12. Capacity Table

Combination (Capacity Index)					Combination (Total)	Combination (%)	Outdoor Temperature (°C, DB)	Indoor Temperature(°C, DB)															
								14		16		18		20		21		22		24			
								TC(kW)	PI(kW)	TC(kW)	PI(kW)	TC(kW)	PI(kW)	TC(kW)	PI(kW)	TC(kW)	PI(kW)	TC(kW)	PI(kW)	TC(kW)	PI(kW)		
2000	2000	2500	5000	5000	16500	165%	-15	6.87	2.61	6.65	2.65	6.46	2.68	6.38	2.70	6.30	2.71	6.15	2.74	6.04	2.76		
							-10	8.23	2.74	8.00	2.78	7.80	2.82	7.70	2.84	7.62	2.85	7.46	2.88	7.33	2.91		
							-5	9.59	2.88	9.35	2.92	9.13	2.96	9.03	2.98	8.94	3.00	8.77	3.03	8.63	3.05		
							0	10.95	3.01	10.70	3.06	10.47	3.10	10.37	3.12	10.27	3.14	10.09	3.17	9.93	3.20		
							2	11.50	3.07	11.24	3.11	11.01	3.15	10.90	3.17	10.80	3.19	10.61	3.23	10.45	3.25		
							7	12.59	3.17	12.32	3.22	12.08	3.26	12.00	3.28	11.86	3.30	11.67	3.34	11.49	3.37		
							10	13.69	3.28	13.41	3.33	13.15	3.37	13.04	3.39	12.93	3.41	12.72	3.45	12.54	3.48		
							15	15.06	3.41	14.77	3.46	14.50	3.51	14.38	3.53	14.26	3.55	14.04	3.59	13.85	3.63		
2000	2000	3500	3500	3500	14500	145%	-15	6.81	2.48	6.60	2.52	6.41	2.55	6.32	2.56	6.24	2.58	6.10	2.60	5.98	2.62		
							-10	8.16	2.61	7.93	2.65	7.73	2.68	7.64	2.70	7.55	2.71	7.40	2.74	7.27	2.76		
							-5	9.51	2.74	9.27	2.78	9.06	2.82	8.96	2.83	8.87	2.85	8.70	2.88	8.56	2.90		
							0	10.86	2.87	10.61	2.91	10.38	2.95	10.28	2.97	10.18	2.98	10.00	3.01	9.85	3.04		
							2	11.40	2.92	11.15	2.96	10.92	3.00	10.81	3.02	10.71	3.04	10.52	3.07	10.36	3.10		
							7	12.49	3.02	12.22	3.06	11.98	3.11	11.90	3.12	11.76	3.14	11.57	3.18	11.40	3.21		
							10	13.57	3.12	13.30	3.17	13.05	3.21	12.93	3.23	12.82	3.25	12.61	3.28	12.43	3.31		
							15	14.93	3.24	14.64	3.29	14.38	3.34	14.26	3.36	14.14	3.38	13.92	3.42	13.73	3.45		
2000	2000	3500	3500	5000	16000	160%	-15	6.87	2.56	6.65	2.60	6.46	2.63	6.38	2.65	6.30	2.66	6.15	2.69	6.04	2.71		
							-10	8.23	2.69	8.00	2.73	7.80	2.77	7.70	2.79	7.62	2.80	7.46	2.83	7.33	2.85		
							-5	9.59	2.83	9.35	2.87	9.13	2.91	9.03	2.92	8.94	2.94	8.77	2.97	8.63	3.00		
							0	10.95	2.96	10.70	3.00	10.47	3.04	10.37	3.06	10.27	3.08	10.09	3.11	9.93	3.14		
							2	11.50	3.01	11.24	3.06	11.01	3.10	10.90	3.12	10.80	3.13	10.61	3.17	10.45	3.20		
							7	12.59	3.12	12.32	3.16	12.08	3.20	12.00	3.22	11.86	3.24	11.67	3.28	11.49	3.31		
							10	13.69	3.22	13.41	3.27	13.15	3.31	13.04	3.33	12.93	3.35	12.72	3.39	12.54	3.42		
							15	15.06	3.35	14.77	3.40	14.50	3.45	14.38	3.47	14.26	3.49	14.04	3.53	13.85	3.56		
2000	2500	2500	2500	2500	12000	120%	-15	6.68	2.43	6.47	2.47	6.29	2.50	6.20	2.52	6.12	2.53	5.98	2.55	5.87	2.57		
							-10	8.00	2.56	7.78	2.60	7.58	2.63	7.49	2.65	7.41	2.66	7.26	2.69	7.13	2.71		
							-5	9.33	2.69	9.09	2.73	8.88	2.76	8.79	2.78	8.69	2.79	8.53	2.82	8.39	2.85		
							0	10.65	2.81	10.41	2.85	10.18	2.89	10.08	2.91	9.98	2.93	9.81	2.96	9.66	2.98		
							2	11.18	2.86	10.93	2.90	10.70	2.94	10.60	2.96	10.50	2.98	10.32	3.01	10.16	3.04		
							7	12.25	2.96	11.99	3.01	11.75	3.05	11.67	3.06	11.53	3.08	11.34	3.11	11.18	3.14		
							10	13.31	3.06	13.04	3.11	12.79	3.15	12.68	3.17	12.57	3.19	12.37	3.22	12.19	3.25		
							15	14.64	3.18	14.36	3.23	14.10	3.27	13.98	3.29	13.87	3.31	13.65	3.35	13.47	3.38		
2000	2500	2500	2500	3500	13000	130%	-15	6.77	2.47	6.55	2.51	6.37	2.54	6.28	2.56	6.20	2.57	6.06	2.60	5.94	2.62		
							-10	8.11	2.60	7.88	2.64	7.68	2.68	7.59	2.69	7.50	2.71	7.35	2.73	7.22	2.76		
							-5	9.45	2.73	9.21	2.77	9.00	2.81	8.90	2.82	8.81	2.84	8.64	2.87	8.50	2.89		
							0	10.79	2.86	10.54	2.90	10.31	2.94	10.21	2.96	10.11	2.97	9.94	3.00	9.78	3.03		
							2	11.33	2.91	11.07	2.95	10.84	2.99	10.74	3.01	10.64	3.03	10.45	3.06	10.29	3.09		
							7	12.40	3.01	12.14	3.05	11.90	3.10	11.82	3.11	11.68	3.13	11.49	3.17	11.32	3.20		
							10	13.48	3.11	13.21	3.16	12.96	3.20	12.84	3.22	12.73	3.24	12.53	3.27	12.35	3.30		
							15	14.83	3.23	14.55	3.28	14.28	3.33	14.16	3.35	14.04	3.37	13.83	3.41	13.64	3.44		
2000	2500	2500	2500	5000	14500	145%	-15	6.87	2.55	6.65	2.59	6.46	2.62	6.38	2.64	6.30	2.65	6.15	2.68	6.04	2.70		
							-10	8.23	2.69	8.00	2.73	7.80	2.76	7.70	2.78	7.62	2.79	7.46	2.82	7.33	2.84		
							-5	9.59	2.82	9.35	2.86	9.13	2.90	9.03	2.92	8.94	2.93	8.77	2.96	8.63	2.99		
							0	10.95	2.95	10.70	2.99	10.47	3.03	10.37	3.05	10.27	3.07	10.09	3.10	9.93	3.13		
							2	11.50	3.00	11.24	3.05	11.01	3.09	10.90	3.11	10.80	3.12	10.61	3.16	10.45	3.19		
							7	12.59	3.11	12.32	3.15	12.08	3.19	12.00	3.21	11.86	3.23	11.67	3.27	11.49	3.30		
							10	13.69	3.21	13.41	3.26	13.15	3.30	13.04	3.32	12.93	3.34	12.72	3.38	12.54	3.41		
							15	15.06	3.34	14.77	3.39	14.50	3.43	14.38	3.46	14.26	3.48	14.04	3.51	13.85	3.55		

12. Capacity Table

Combination (Capacity Index)					Combination (Total)	Combination (%)	Outdoor Temperature (°C, DB)	Indoor Temperature(°C, DB)													
								14		16		18		20		21		22		24	
								TC(kW)	PI(kW)	TC(kW)	PI(kW)	TC(kW)	PI(kW)	TC(kW)	PI(kW)	TC(kW)	PI(kW)	TC(kW)	PI(kW)	TC(kW)	PI(kW)
2000	2500	2500	2500	6800	16300	163%	-15	6.87	2.64	6.65	2.68	6.46	2.71	6.38	2.73	6.30	2.74	6.15	2.77	6.04	2.79
							-10	8.23	2.78	8.00	2.82	7.80	2.86	7.70	2.87	7.62	2.89	7.46	2.92	7.33	2.94
							-5	9.59	2.91	9.35	2.96	9.13	3.00	9.03	3.02	8.94	3.03	8.77	3.06	8.63	3.09
							0	10.95	3.05	10.70	3.10	10.47	3.14	10.37	3.16	10.27	3.17	10.09	3.21	9.93	3.24
							2	11.50	3.10	11.24	3.15	11.01	3.19	10.90	3.21	10.80	3.23	10.61	3.27	10.45	3.29
							7	12.59	3.21	12.32	3.26	12.08	3.30	12.00	3.32	11.86	3.34	11.67	3.38	11.49	3.41
							10	13.69	3.32	13.41	3.37	13.15	3.41	13.04	3.44	12.93	3.46	12.72	3.49	12.54	3.53
							15	15.06	3.45	14.77	3.50	14.50	3.55	14.38	3.57	14.26	3.60	14.04	3.64	13.85	3.67
2000	2500	2500	3500	3500	14000	140%	-15	6.87	2.51	6.65	2.55	6.46	2.58	6.38	2.60	6.30	2.61	6.15	2.64	6.04	2.66
							-10	8.23	2.64	8.00	2.68	7.80	2.72	7.70	2.73	7.62	2.75	7.46	2.78	7.33	2.80
							-5	9.59	2.77	9.35	2.82	9.13	2.85	9.03	2.87	8.94	2.89	8.77	2.92	8.63	2.94
							0	10.95	2.90	10.70	2.95	10.47	2.99	10.37	3.00	10.27	3.02	10.09	3.05	9.93	3.08
							2	11.50	2.96	11.24	3.00	11.01	3.04	10.90	3.06	10.80	3.08	10.61	3.11	10.45	3.14
							7	12.59	3.06	12.32	3.10	12.08	3.15	12.00	3.16	11.86	3.18	11.67	3.22	11.49	3.25
							10	13.69	3.16	13.41	3.21	13.15	3.25	13.04	3.27	12.93	3.29	12.72	3.33	12.54	3.36
							15	15.06	3.29	14.77	3.34	14.50	3.38	14.38	3.40	14.26	3.42	14.04	3.46	13.85	3.49
2000	2500	2500	3500	5000	15500	155%	-15	6.87	2.59	6.65	2.63	6.46	2.66	6.38	2.68	6.30	2.69	6.15	2.72	6.04	2.74
							-10	8.23	2.73	8.00	2.77	7.80	2.80	7.70	2.82	7.62	2.84	7.46	2.86	7.33	2.89
							-5	9.59	2.86	9.35	2.90	9.13	2.94	9.03	2.96	8.94	2.98	8.77	3.01	8.63	3.03
							0	10.95	3.00	10.70	3.04	10.47	3.08	10.37	3.10	10.27	3.12	10.09	3.15	9.93	3.18
							2	11.50	3.05	11.24	3.09	11.01	3.14	10.90	3.15	10.80	3.17	10.61	3.21	10.45	3.24
							7	12.59	3.15	12.32	3.20	12.08	3.24	12.00	3.26	11.86	3.28	11.67	3.32	11.49	3.35
							10	13.69	3.26	13.41	3.31	13.15	3.35	13.04	3.37	12.93	3.39	12.72	3.43	12.54	3.46
							15	15.06	3.39	14.77	3.44	14.50	3.49	14.38	3.51	14.26	3.53	14.04	3.57	13.85	3.60
2000	2500	2500	3500	6800	17300	173%	-15	6.87	2.68	6.65	2.72	6.46	2.75	6.38	2.77	6.30	2.79	6.15	2.81	6.04	2.84
							-10	8.23	2.82	8.00	2.86	7.80	2.90	7.70	2.92	7.62	2.93	7.46	2.96	7.33	2.99
							-5	9.59	2.96	9.35	3.00	9.13	3.04	9.03	3.06	8.94	3.08	8.77	3.11	8.63	3.14
							0	10.95	3.10	10.70	3.14	10.47	3.18	10.37	3.20	10.27	3.22	10.09	3.26	9.93	3.28
							2	11.50	3.15	11.24	3.20	11.01	3.24	10.90	3.26	10.80	3.28	10.61	3.31	10.45	3.34
							7	12.59	3.26	12.32	3.31	12.08	3.35	12.00	3.37	11.86	3.39	11.67	3.43	11.49	3.46
							10	13.69	3.37	13.41	3.42	13.15	3.47	13.04	3.49	12.93	3.51	12.72	3.55	12.54	3.58
							15	15.06	3.50	14.77	3.56	14.50	3.61	14.38	3.63	14.26	3.65	14.04	3.69	13.85	3.73
2000	2500	2500	5000	5000	17000	170%	-15	6.87	2.68	6.65	2.72	6.46	2.75	6.38	2.77	6.30	2.79	6.15	2.81	6.04	2.84
							-10	8.23	2.82	8.00	2.86	7.80	2.90	7.70	2.92	7.62	2.93	7.46	2.96	7.33	2.99
							-5	9.59	2.96	9.35	3.00	9.13	3.04	9.03	3.06	8.94	3.08	8.77	3.11	8.63	3.14
							0	10.95	3.10	10.70	3.14	10.47	3.18	10.37	3.20	10.27	3.22	10.09	3.26	9.93	3.28
							2	11.50	3.15	11.24	3.20	11.01	3.24	10.90	3.26	10.80	3.28	10.61	3.31	10.45	3.34
							7	12.59	3.26	12.32	3.31	12.08	3.35	12.00	3.37	11.86	3.39	11.67	3.43	11.49	3.46
							10	13.69	3.37	13.41	3.42	13.15	3.47	13.04	3.49	12.93	3.51	12.72	3.55	12.54	3.58
							15	15.06	3.50	14.77	3.56	14.50	3.61	14.38	3.63	14.26	3.65	14.04	3.69	13.85	3.73
2000	2500	3500	3500	3500	15000	150%	-15	6.87	2.51	6.65	2.55	6.46	2.58	6.38	2.60	6.30	2.61	6.15	2.64	6.04	2.66
							-10	8.23	2.64	8.00	2.68	7.80	2.72	7.70	2.73	7.62	2.75	7.46	2.78	7.33	2.80
							-5	9.59	2.77	9.35	2.82	9.13	2.85	9.03	2.87	8.94	2.89	8.77	2.92	8.63	2.94
							0	10.95	2.90	10.70	2.95	10.47	2.99	10.37	3.00	10.27	3.02	10.09	3.05	9.93	3.08
							2	11.50	2.96	11.24	3.00	11.01	3.04	10.90	3.06	10.80	3.08	10.61	3.11	10.45	3.14
							7	12.59	3.06	12.32	3.10	12.08	3.15	12.00	3.16	11.86	3.18	11.67	3.22	11.49	3.25
							10	13.69	3.16	13.41	3.21	13.15	3.25	13.04	3.27	12.93	3.29	12.72	3.33	12.54	3.36
							15	15.06	3.29	14.77	3.34	14.50	3.38	14.38	3.40	14.26	3.42	14.04	3.46	13.85	3.49

12. Capacity Table

Combination (Capacity Index)					Combination (Total)	Combination (%)	Outdoor Temperature (°C, DB)	Indoor Temperature(°C, DB)															
								14		16		18		20		21		22		24			
								TC(kW)	PI(kW)	TC(kW)	PI(kW)	TC(kW)	PI(kW)	TC(kW)	PI(kW)	TC(kW)	PI(kW)	TC(kW)	PI(kW)	TC(kW)	PI(kW)		
2000	2500	3500	3500	5000	16500	165%	-15	6.87	2.60	6.65	2.64	6.46	2.67	6.38	2.69	6.30	2.70	6.15	2.73	6.04	2.75		
							-10	8.23	2.74	8.00	2.78	7.80	2.81	7.70	2.83	7.62	2.85	7.46	2.87	7.33	2.90		
							-5	9.59	2.87	9.35	2.91	9.13	2.95	9.03	2.97	8.94	2.99	8.77	3.02	8.63	3.04		
							0	10.95	3.00	10.70	3.05	10.47	3.09	10.37	3.11	10.27	3.13	10.09	3.16	9.93	3.19		
							2	11.50	3.06	11.24	3.10	11.01	3.15	10.90	3.16	10.80	3.18	10.61	3.22	10.45	3.24		
							7	12.59	3.16	12.32	3.21	12.08	3.25	12.00	3.27	11.86	3.29	11.67	3.33	11.49	3.36		
							10	13.69	3.27	13.41	3.32	13.15	3.36	13.04	3.38	12.93	3.40	12.72	3.44	12.54	3.47		
							15	15.06	3.40	14.77	3.45	14.50	3.50	14.38	3.52	14.26	3.54	14.04	3.58	13.85	3.61		
2000	3500	3500	3500	3500	16000	160%	-15	6.87	2.55	6.65	2.59	6.46	2.62	6.38	2.64	6.30	2.65	6.15	2.68	6.04	2.70		
							-10	8.23	2.69	8.00	2.73	7.80	2.76	7.70	2.78	7.62	2.79	7.46	2.82	7.33	2.84		
							-5	9.59	2.82	9.35	2.86	9.13	2.90	9.03	2.92	8.94	2.93	8.77	2.96	8.63	2.99		
							0	10.95	2.95	10.70	2.99	10.47	3.03	10.37	3.05	10.27	3.07	10.09	3.10	9.93	3.13		
							2	11.50	3.00	11.24	3.05	11.01	3.09	10.90	3.11	10.80	3.12	10.61	3.16	10.45	3.19		
							7	12.59	3.11	12.32	3.15	12.08	3.19	12.00	3.21	11.86	3.23	11.67	3.27	11.49	3.30		
							10	13.69	3.21	13.41	3.26	13.15	3.30	13.04	3.32	12.93	3.34	12.72	3.38	12.54	3.41		
							15	15.06	3.34	14.77	3.39	14.50	3.43	14.38	3.46	14.26	3.48	14.04	3.51	13.85	3.55		
2500	2500	2500	2500	2500	12500	125%	-15	6.87	2.24	6.65	2.28	6.46	2.30	6.38	2.32	6.30	2.33	6.15	2.35	6.04	2.37		
							-10	8.23	2.36	8.00	2.39	7.80	2.43	7.70	2.44	7.62	2.45	7.46	2.48	7.33	2.50		
							-5	9.59	2.48	9.35	2.51	9.13	2.55	9.03	2.56	8.94	2.58	8.77	2.60	8.63	2.62		
							0	10.95	2.59	10.70	2.63	10.47	2.66	10.37	2.68	10.27	2.70	10.09	2.72	9.93	2.75		
							2	11.50	2.64	11.24	2.68	11.01	2.71	10.90	2.73	10.80	2.74	10.61	2.77	10.45	2.80		
							7	12.59	2.73	12.32	2.77	12.08	2.81	12.00	2.82	11.86	2.84	11.67	2.87	11.49	2.90		
							10	13.69	2.82	13.41	2.86	13.15	2.90	13.04	2.92	12.93	2.94	12.72	2.97	12.54	3.00		
							15	15.06	2.93	14.77	2.98	14.50	3.02	14.38	3.04	14.26	3.05	14.04	3.09	13.85	3.12		
2500	2500	2500	2500	3500	13500	135%	-15	6.87	2.50	6.65	2.54	6.46	2.57	6.38	2.59	6.30	2.60	6.15	2.63	6.04	2.65		
							-10	8.23	2.64	8.00	2.67	7.80	2.71	7.70	2.73	7.62	2.74	7.46	2.77	7.33	2.79		
							-5	9.59	2.77	9.35	2.81	9.13	2.84	9.03	2.86	8.94	2.88	8.77	2.91	8.63	2.93		
							0	10.95	2.89	10.70	2.94	10.47	2.98	10.37	2.99	10.27	3.01	10.09	3.04	9.93	3.07		
							2	11.50	2.95	11.24	2.99	11.01	3.03	10.90	3.05	10.80	3.07	10.61	3.10	10.45	3.13		
							7	12.59	3.05	12.32	3.09	12.08	3.14	12.00	3.15	11.86	3.17	11.67	3.21	11.49	3.24		
							10	13.69	3.15	13.41	3.20	13.15	3.24	13.04	3.26	12.93	3.28	12.72	3.31	12.54	3.35		
							15	15.06	3.28	14.77	3.33	14.50	3.37	14.38	3.39	14.26	3.41	14.04	3.45	13.85	3.48		
2500	2500	2500	2500	5000	15000	150%	-15	6.87	2.59	6.65	2.63	6.46	2.66	6.38	2.68	6.30	2.69	6.15	2.72	6.04	2.74		
							-10	8.23	2.73	8.00	2.77	7.80	2.80	7.70	2.82	7.62	2.84	7.46	2.86	7.33	2.89		
							-5	9.59	2.86	9.35	2.90	9.13	2.94	9.03	2.96	8.94	2.98	8.77	3.01	8.63	3.03		
							0	10.95	3.00	10.70	3.04	10.47	3.08	10.37	3.10	10.27	3.12	10.09	3.15	9.93	3.18		
							2	11.50	3.05	11.24	3.09	11.01	3.14	10.90	3.15	10.80	3.17	10.61	3.21	10.45	3.24		
							7	12.59	3.15	12.32	3.20	12.08	3.24	12.00	3.26	11.86	3.28	11.67	3.32	11.49	3.35		
							10	13.69	3.26	13.41	3.31	13.15	3.35	13.04	3.37	12.93	3.39	12.72	3.43	12.54	3.46		
							15	15.06	3.39	14.77	3.44	14.50	3.49	14.38	3.51	14.26	3.53	14.04	3.57	13.85	3.60		
2500	2500	2500	2500	6800	16800	168%	-15	6.87	2.68	6.65	2.72	6.46	2.75	6.38	2.77	6.30	2.79	6.15	2.81	6.04	2.84		
							-10	8.23	2.82	8.00	2.86	7.80	2.90	7.70	2.92	7.62	2.93	7.46	2.96	7.33	2.99		
							-5	9.59	2.96	9.35	3.00	9.13	3.04	9.03	3.06	8.94	3.08	8.77	3.11	8.63	3.14		
							0	10.95	3.10	10.70	3.14	10.47	3.18	10.37	3.20	10.27	3.22	10.09	3.26	9.93	3.28		
							2	11.50	3.15	11.24	3.20	11.01	3.24	10.90	3.26	10.80	3.28	10.61	3.31	10.45	3.34		
							7	12.59	3.26	12.32	3.31	12.08	3.35	12.00	3.37	11.86	3.39	11.67	3.43	11.49	3.46		
							10	13.69	3.37	13.41	3.42	13.15	3.47	13.04	3.49	12.93	3.51	12.72	3.55	12.54	3.58		
							15	15.06	3.50	14.77	3.56	14.50	3.61	14.38	3.63	14.26	3.65	14.04	3.69	13.85	3.73		

12. Capacity Table

Combination (Capacity Index)					Combination (Total)	Combination (%)	Outdoor Temperature (°C, DB)	Indoor Temperature(°C, DB)													
								14		16		18		20		21		22		24	
								TC(kW)	PI(kW)	TC(kW)	PI(kW)	TC(kW)	PI(kW)	TC(kW)	PI(kW)	TC(kW)	PI(kW)	TC(kW)	PI(kW)	TC(kW)	PI(kW)
2500	2500	2500	3500	3500	14500	145%	-15	6.87	2.54	6.65	2.58	6.46	2.62	6.38	2.63	6.30	2.64	6.15	2.67	6.04	2.69
							-10	8.23	2.68	8.00	2.72	7.80	2.75	7.70	2.77	7.62	2.78	7.46	2.81	7.33	2.84
							-5	9.59	2.81	9.35	2.85	9.13	2.89	9.03	2.91	8.94	2.92	8.77	2.95	8.63	2.98
							0	10.95	2.94	10.70	2.98	10.47	3.02	10.37	3.04	10.27	3.06	10.09	3.09	9.93	3.12
							2	11.50	2.99	11.24	3.04	11.01	3.08	10.90	3.10	10.80	3.11	10.61	3.15	10.45	3.18
							7	12.59	3.10	12.32	3.14	12.08	3.19	12.00	3.20	11.86	3.22	11.67	3.26	11.49	3.29
							10	13.69	3.20	13.41	3.25	13.15	3.29	13.04	3.31	12.93	3.33	12.72	3.37	12.54	3.40
							15	15.06	3.33	14.77	3.38	14.50	3.42	14.38	3.45	14.26	3.47	14.04	3.50	13.85	3.54
2500	2500	2500	3500	5000	16000	160%	-15	6.87	2.63	6.65	2.67	6.46	2.71	6.38	2.72	6.30	2.74	6.15	2.76	6.04	2.78
							-10	8.23	2.77	8.00	2.81	7.80	2.85	7.70	2.86	7.62	2.88	7.46	2.91	7.33	2.93
							-5	9.59	2.91	9.35	2.95	9.13	2.99	9.03	3.01	8.94	3.02	8.77	3.05	8.63	3.08
							0	10.95	3.04	10.70	3.09	10.47	3.13	10.37	3.15	10.27	3.16	10.09	3.20	9.93	3.23
							2	11.50	3.10	11.24	3.14	11.01	3.18	10.90	3.20	10.80	3.22	10.61	3.26	10.45	3.28
							7	12.59	3.20	12.32	3.25	12.08	3.29	12.00	3.31	11.86	3.33	11.67	3.37	11.49	3.40
							10	13.69	3.31	13.41	3.36	13.15	3.40	13.04	3.43	12.93	3.45	12.72	3.48	12.54	3.52
							15	15.06	3.44	14.77	3.49	14.50	3.54	14.38	3.56	14.26	3.58	14.04	3.62	13.85	3.66
2500	2500	3500	3500	3500	15500	155%	-15	6.87	2.58	6.65	2.62	6.46	2.66	6.38	2.67	6.30	2.69	6.15	2.71	6.04	2.73
							-10	8.23	2.72	8.00	2.76	7.80	2.80	7.70	2.81	7.62	2.83	7.46	2.86	7.33	2.88
							-5	9.59	2.85	9.35	2.90	9.13	2.93	9.03	2.95	8.94	2.97	8.77	3.00	8.63	3.02
							0	10.95	2.99	10.70	3.03	10.47	3.07	10.37	3.09	10.27	3.11	10.09	3.14	9.93	3.17
							2	11.50	3.04	11.24	3.08	11.01	3.13	10.90	3.15	10.80	3.16	10.61	3.20	10.45	3.23
							7	12.59	3.14	12.32	3.19	12.08	3.23	12.00	3.25	11.86	3.27	11.67	3.31	11.49	3.34
							10	13.69	3.25	13.41	3.30	13.15	3.34	13.04	3.36	12.93	3.38	12.72	3.42	12.54	3.45
							15	15.06	3.38	14.77	3.43	14.50	3.48	14.38	3.50	14.26	3.52	14.04	3.56	13.85	3.59
2500	2500	3500	3500	5000	17000	170%	-15	6.87	2.67	6.65	2.71	6.46	2.75	6.38	2.76	6.30	2.78	6.15	2.80	6.04	2.83
							-10	8.23	2.81	8.00	2.85	7.80	2.89	7.70	2.91	7.62	2.92	7.46	2.95	7.33	2.98
							-5	9.59	2.95	9.35	2.99	9.13	3.03	9.03	3.05	8.94	3.07	8.77	3.10	8.63	3.13
							0	10.95	3.09	10.70	3.13	10.47	3.18	10.37	3.19	10.27	3.21	10.09	3.25	9.93	3.28
							2	11.50	3.14	11.24	3.19	11.01	3.23	10.90	3.25	10.80	3.27	10.61	3.30	10.45	3.33
							7	12.59	3.25	12.32	3.30	12.08	3.34	12.00	3.36	11.86	3.38	11.67	3.42	11.49	3.45
							10	13.69	3.36	13.41	3.41	13.15	3.46	13.04	3.48	12.93	3.50	12.72	3.54	12.54	3.57
							15	15.06	3.49	14.77	3.55	14.50	3.60	14.38	3.62	14.26	3.64	14.04	3.68	13.85	3.71
2500	3500	3500	3500	3500	16500	165%	-15	6.87	2.59	6.65	2.63	6.46	2.66	6.38	2.68	6.30	2.69	6.15	2.72	6.04	2.74
							-10	8.23	2.73	8.00	2.77	7.80	2.80	7.70	2.82	7.62	2.84	7.46	2.86	7.33	2.89
							-5	9.59	2.86	9.35	2.90	9.13	2.94	9.03	2.96	8.94	2.98	8.77	3.01	8.63	3.03
							0	10.95	3.00	10.70	3.04	10.47	3.08	10.37	3.10	10.27	3.12	10.09	3.15	9.93	3.18
							2	11.50	3.05	11.24	3.09	11.01	3.14	10.90	3.15	10.80	3.17	10.61	3.21	10.45	3.24
							7	12.59	3.15	12.32	3.20	12.08	3.24	12.00	3.26	11.86	3.28	11.67	3.32	11.49	3.35
							10	13.69	3.26	13.41	3.31	13.15	3.35	13.04	3.37	12.93	3.39	12.72	3.43	12.54	3.46
							15	15.06	3.39	14.77	3.44	14.50	3.49	14.38	3.51	14.26	3.53	14.04	3.57	13.85	3.60

NOTE

- Cooling capacity is based on 27°CDB / 19°CWB (indoor temperature), 35°CDB (outdoor temperature).
- Heating capacity is based on 20°CDB (indoor temperature), 7°CDB/6°CWB (outdoor temperature).
- The above is the value for connecting with the following indoor units.
 - 2000, 2500, 3500, 5000, 6800W class : AR07TXFCawkNEU, AR09TXFCawkNEU, AR12TXFCawkNEU, AR18TXEAAwkNEU, AR24TXEAAwkNEU
- Capacities are based on the following conditions:
 - Corresponding refrigerant piping length : 5m / - Level difference : 0m
- The total ability of connected a indoor unit is up to 17.3kW
- It is impossible to connect the indoor unit for one room only.
- This data is reference data for temperature capacity trend.

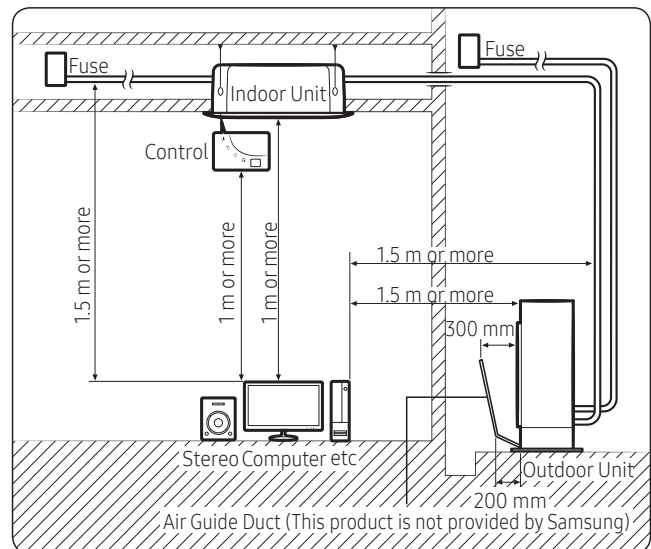
13. Installation

Choosing the installation location

Installation location requirements

- The outdoor unit shall be installed in an open space that is always ventilated.
- The local gas regulations shall be observed.
- For installation inside a building (this applies either to indoor or outdoor units installed inside) a minimum room floor area of space conditioned is mandatory according to IEC 60335-2-40:2018 (see the reference table into either the indoor or outdoor unit installation manual).
- To handle, purge, and dispose the refrigerant, or break into the refrigerant circuit, the worker should have a certificate from an industry-accredited authority.
- Do not install the indoor unit in the following areas:
 - Area filled with minerals, splashed oil, or steam. It will deteriorate plastic parts, causing failure or leakage.
 - Area that is close to heat sources.
 - Area that produces substances such as sulfuric gas, chlorine gas, acid, and alkali. It may cause corrosion of the pipings and brazed joints.
 - Area that can cause leakage of combustible gas and suspension of carbon fibers, flammable dust, or volatile flammables.
 - Area where refrigerant leaks and settles.
 - Area where animals may urinate on the product. Ammonia may be generated.
- Do not use the indoor unit for preservation of food items, plants, equipment, and art works. This may cause deterioration of their quality.
- Do not install the indoor unit if it has any drainage problem.
- Do not place the outdoor unit on its side or upside down. Failing to do so may cause the compressor lubrication oil to run into the cooling circuit and lead to a serious damage to the unit.
- Install the unit in a well-ventilated location away from direct sunlight or strong winds.
- Install the unit in a location that would not obstruct any passageways or thoroughfares.

- Install the unit in a location that would not inconvenience or disturb your neighbors, as they could be affected by the noise or the airflow coming from the unit.
- Install the unit in a location where the pipes and the cables can be easily connected to the indoor unit.
- Install the unit on a flat, stable surface that can withstand the weight of the unit. Otherwise, the unit can generate noise and vibration during operation.
- Install the unit so that the air flow is directed towards the open area.
- Maintain sufficient clearance around the outdoor unit, especially from a radio, computer, stereo system, etc.



- Install the unit at a height where its base can be firmly fixed in place.
- Make sure that the water dripping from the drain hose runs away correctly and safely.

※ In case you want more information about the controllers and accessories, please refer to the Controller and Accessory TDB on pvi.Samsung.com site or Global Partner Portal site.

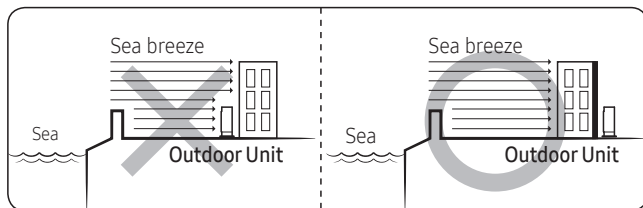
13. Installation

⚠ CAUTION

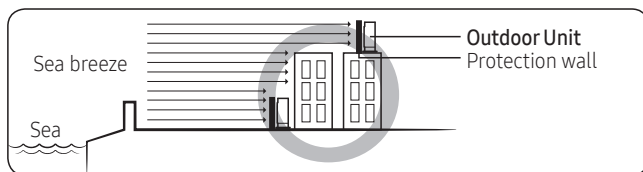
- You have just purchased a system air conditioner and it has been installed by your installation specialist.
- This device must be installed according to the national electrical rules.
- If your outdoor unit exceeds a net weight of 60 kg, do not install it on a suspended wall, but stand it on a floor.

When installing the outdoor unit at the seaside, make sure that it is not directly exposed to sea breeze. If you cannot find an adequate place free from direct sea breeze, construct a protection wall or a protective fence.

- Install the outdoor unit in a place (such as near buildings etc.) where it can be prevented from sea breeze. Failure to do so may cause a damage to the outdoor unit.



- If you cannot avoid installing the outdoor unit at the seaside, construct a protection wall around to block the sea breeze.
- Construct a protection wall with a solid material such as concrete to block the sea breeze. Make sure that the height and the width of the wall are 1.5 times larger than the size of the outdoor unit. Also, secure a space larger than 700 mm between the protection wall and the outdoor unit for exhausted air to ventilate.

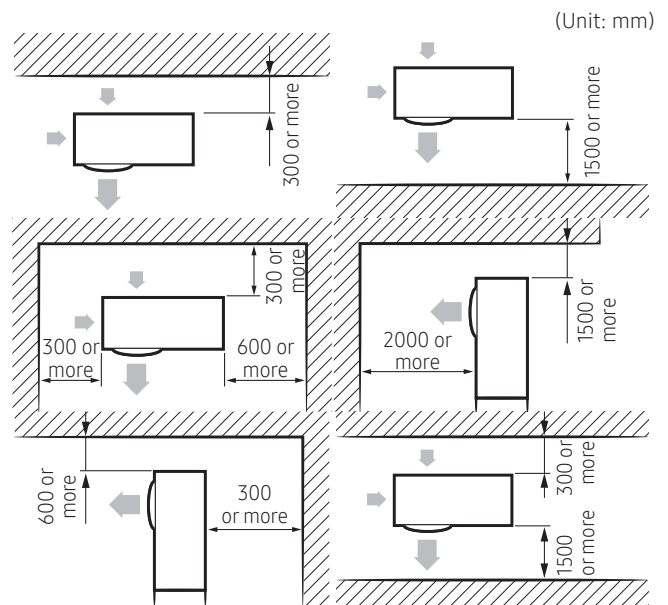


⚠ CAUTION

- Depending on the condition of power supply, unstable power or voltage may cause malfunction of the parts or control system. (At the ship or places using power supply from electric generator...etc)
- Install the unit in a place where water can drain smoothly.
- If you have any difficulty finding installation location as prescribed above, contact your manufacturer for details.
- Be sure to clean the sea water and the dust on the heat exchanger of the outdoor unit and apply a corrosion inhibitor on it. (At least once in a year.)

Minimum clearances for the outdoor unit

When installing 1 outdoor unit

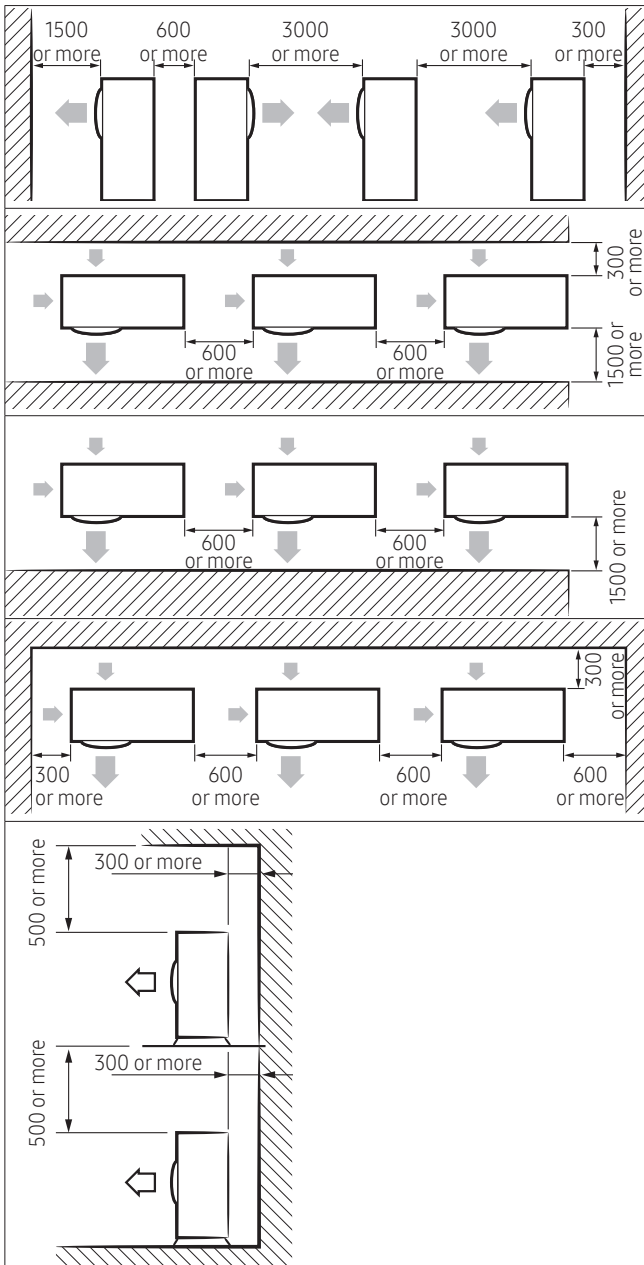


※ In case you want more information about the controllers and accessories, please refer to the Controller and Accessory TDB on pvi.Samsung.com site or Global Partner Portal site.

13. Installation

When installing more than 1 outdoor unit

(Unit: mm)



⚠ CAUTION

- The outdoor unit must be installed according to the specified distances in order to permit accessibility from each side, to guarantee correct operation, maintenance, and repair of the unit. The components of the outdoor unit must be reachable and removable under safe conditions for people and the unit.

※ In case you want more information about the controllers and accessories, please refer to the Controller and Accessory TDB on pvi.Samsung.com site or Global Partner Portal site.

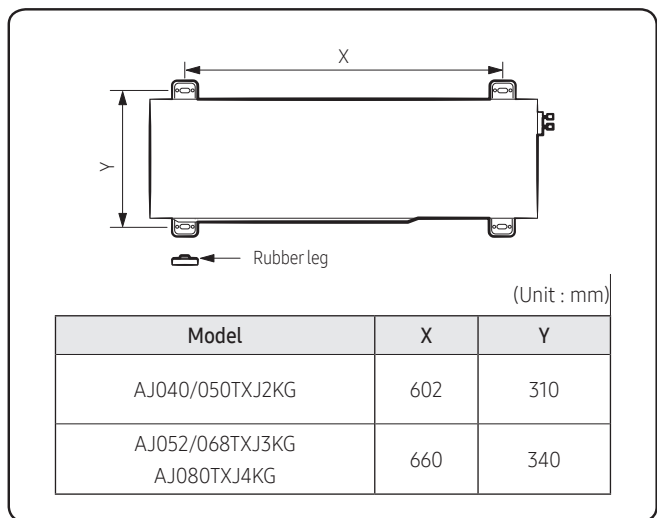
Fixing the outdoor unit in place

Install the outdoor unit on a rigid and stable base to prevent disturbance from any noise caused by vibration. When installing the unit at a height or in a location exposed to strong winds, fix the unit securely to a support (i.e., a wall or a ground).

- Position the outdoor unit so that the air flow is directed towards the outside, as indicated by the arrows on the top of the unit.
- Attach the outdoor unit to the appropriate support using anchor bolts.
 - The earthing wire for the telephone line cannot be used to earth the air conditioner.
- If the outdoor unit is exposed to strong winds, install shield plates around the outdoor unit, so that the fan can operate correctly.

NOTE

- Certainly fix up its rubber leg in order to prevent its vibration and noise.

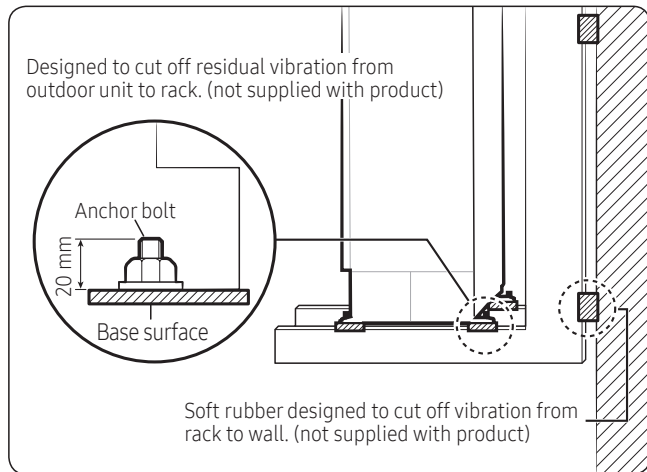


⚠ CAUTION

- Install a drain outlet at the lowest end around the base for outdoor unit drainage
- When installing the outdoor unit on the roof, waterproof the unit and check the ceiling strength.

13. Installation

Optional: Fixing the outdoor unit to a wall with a rack



- Install a proper grommet in order to reduce noise and residual vibration transferred by the outdoor unit towards the wall.

CAUTION

- When installing an air guide duct, be sure to check the following:
 - The screws do not damage the copper pipe.
 - The air guide duct is fixed firmly on the guard fan.

Connecting the power cables, communication cable, and controllers

You must connect the following three electrical cables to the outdoor unit:

- The main power cable between the auxiliary circuit breaker and the outdoor unit.
- The outdoor-to-indoor power cable between the outdoor unit and the indoor unit.
- The communication cable between the outdoor unit and the indoor unit.

CAUTION

- During installation, make first the refrigerant connections and then the electrical connections. If the unit is uninstalled, first disconnect the electrical cables and then the refrigerant connections.
- Connect the air conditioner to the earthing system before making the electrical connections.

NOTE

- Especially, if your outdoor unit is the one designed for Russian and European markets, consult the supply authority, if necessary, to estimate and reduce the supply system impedance before installation.

CAUTION

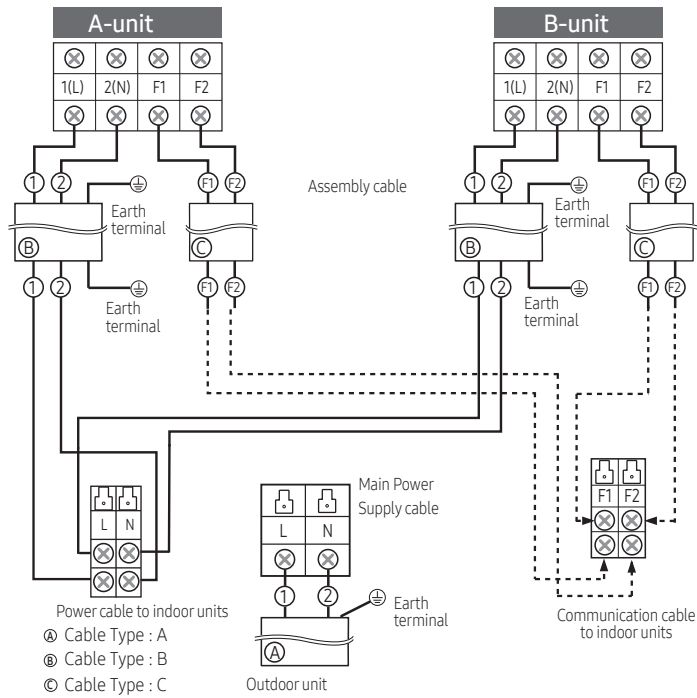
- For the product that uses the R-32 refrigerant, be cautious not to generate a spark by keeping the following requirements:
 - Do not remove the fuses with power on.
 - Do not disconnect the power plug from the wall outlet with power on.
 - It is recommended to locate the outlet in a high position. Place the cords so that they are not tangled.

※ In case you want more information about the controllers and accessories, please refer to the Controller and Accessory TDB on pvi.Samsung.com site or Global Partner Portal site.

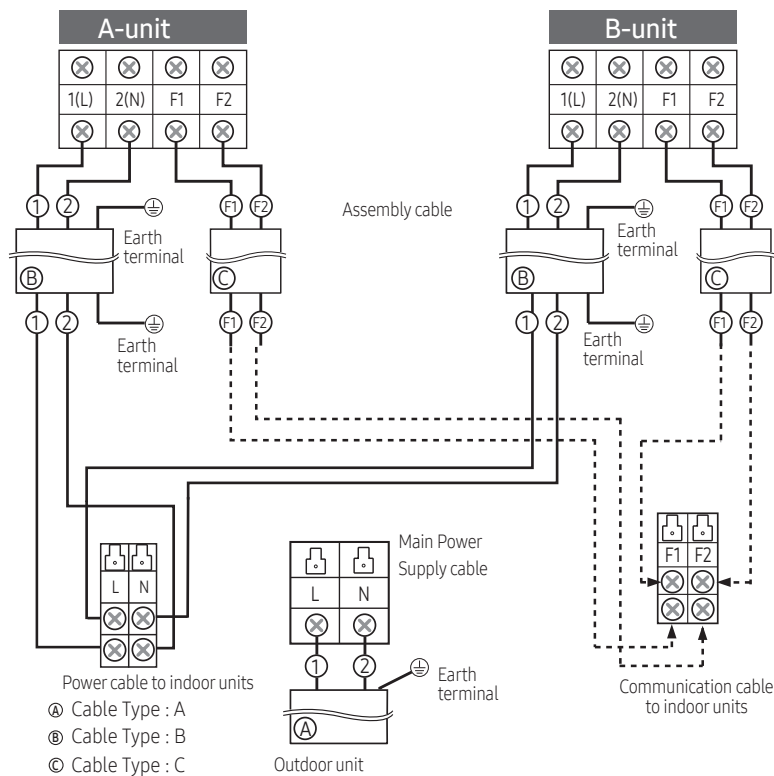
13. Installation

Conncting the cables to the outdoor unit

AJ040/050TXJ2KG



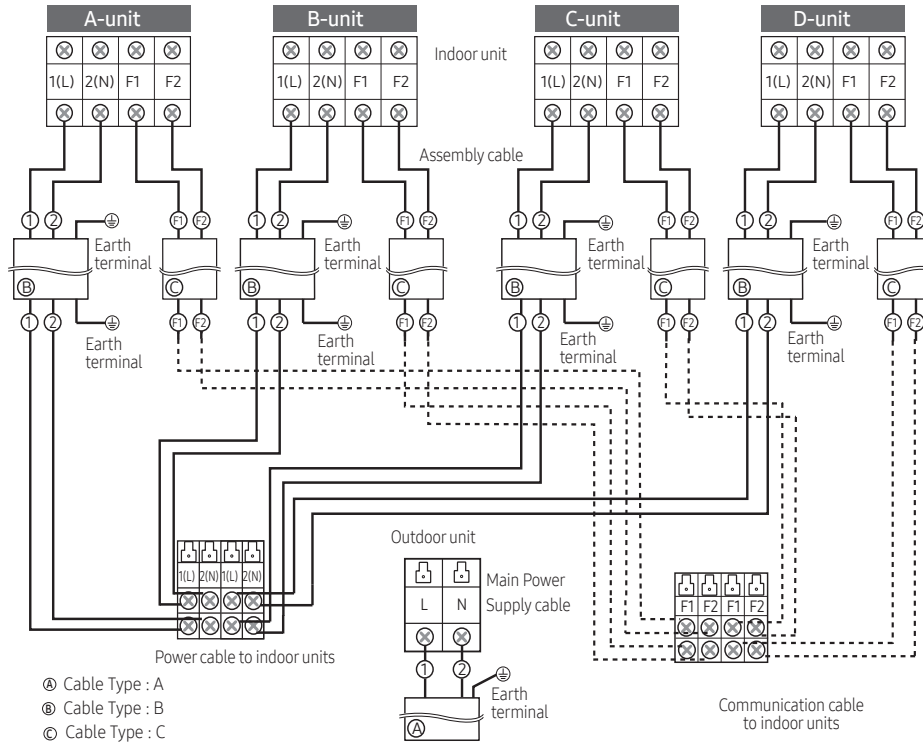
AJ052/068TXJ3KG



※ In case you want more information about the controllers and accessories, please refer to the Controller and Accessory TDB on pvi.samsung.com site or Global Partner Portal site.

13. Installation

AJ080TXJ4KG



Specification for circuit breaker and power supply cord

- Power supply cord is not supplied with air conditioner.
- Select the power supply cord in accordance with relevant local and national regulations.
- Wire size must comply with the applicable local and national code.
- Specifications for local wiring power supply cord and branch wiring are in compliance with local cord.

Model		Outdoor Units		Maximum Input Current[A]			Power Supply	
Outdoor Unit	Indoor Unit	Rated		Outdoor	Indoor(Max.)	Total	MCA	MFA
		Hz	Volts					
AJ040TXJ2KG	2 Room	50	1phase,220-240	8.5	0.8	9.3	9.30	10.63
AJ050TXJ2KG	2 Room	50	1phase,220-240	11.0	0.8	11.8	11.80	13.75
AJ052TXJ3KG	3 Room	50	1phase,220-240	11.0	1.2	12.2	12.20	13.75
AJ068TXJ3KG	3 Room	50	1phase,220-240	16.6	1.2	17.8	17.80	20.75
AJ080TXJ4KG	4 Room	50	1phase,220-240	16.6	1.6	18.2	18.20	20.75

NOTE

1. Power Supply cords of parts of appliances for outdoor use shall not be lighter than polychloroprene sheathed flexible cord. (Code designation IEC:60245 IEC 57 / CENELEC: H05RN-F , IEC:60245 IEC 66 / CENELEC: H07RN-F)
2. Select power supply cord based on MCA.
3. MFA is used to select the circuit breaker and the ground fault circuit interrupter (earth leakage circuit breaker).
4. MCA represents maximum input current.
5. MFA represents capacity which may accept MCA.

Abbreviations

- MCA : Min. Circuit Amps. (A)
- MFA : Max. Fuse Amps. (A)

Screw	Tighten Torque(kgf.cm)	Position
M4	12.0~18.0	1(L),2(L),L,N,F1,F2

※ In case you want more information about the controllers and accessories, please refer to the Controller and Accessory TDB on pvi.Samsung.com site or Global Partner Portal site.

13. Installation

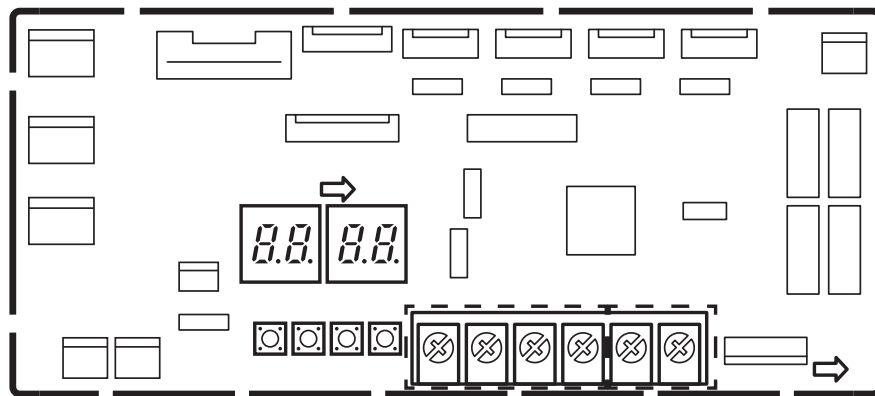
Tightening power terminal

- Connect the cables to the terminal board using the compressed ring terminal.
- Use rated cables only.
- Connect the cables with driver and wrench that can apply the rated torque to the screws.
- Make sure that appropriate tightening torque is applied for cable connection. If the terminal is loose, arc heat may occur and cause fire and if the terminal is connected too firmly, terminal may get damaged.

Transmitter installation(option)

- AJ040TXJ2KG/AJ050TXJ2KG/AJ052TXJ3KG/AJ068TXJ3KG/AJ080TXJ4KG

PCB MAIN - OUT



Do not connect the power and communication wires to these terminal blocks

Terminal blocks(R1,R2) for connection with the Upper Controller (DMS, Touch, On/Off Controller, etc.)

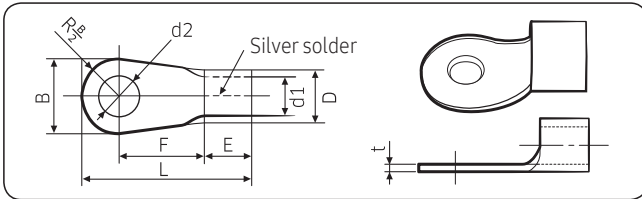
1. Turn the power off and take off the cover of the outdoor units.
2. Connect R1/R2 lines which are upper controller communication cables referring to upper figure . (Upper controller power should be off.)
3. Assemble a cover of the outdoor unit and turn the power on.
4. Check the communication status.
5. If you install a upper controller to the outdoor unit, every indoor unit which is connected to the outdoor unit can be controlled simultaneously.

※ In case you want more information about the controllers and accessories, please refer to the Controller and Accessory TDB on pvi.Samsung.com site or Global Partner Portal site.

13. Installation

Outdoor-to-indoor power terminal specifications

- Connect the cables to the terminal board using the compressed ring terminal.
- Cover a solderless ring terminal and a connector part of the power cable and then connect it.



Nominal dimensions for cable (mm ²)	Nominal dimensions for screw (mm)	B		D		d1		E (mm)	F (mm)	L (mm)	d2		t (mm)
		Standard dimension (mm)	Allowance (mm)	Standard dimension (mm)	Allowance (mm)	Standard dimension (mm)	Allowance (mm)				Standard dimension (mm)	Allowance (mm)	
1.5	4	6.6	±0.2	3.4	+0.3 -0.2	1.7	±0.2	4.1	6	16	4.3	+0.2 0	0.7
	4	8											
2.5	4	6.6	±0.2	4.2	+0.3 -0.2	2.3	±0.2	6	6	17.5	4.3	+0.2 0	0.8
	4	8.5											
4	4	9.5	±0.2	5.6	+0.3 -0.2	3.4	±0.2	6	5	20	4.3	+0.2 0	0.9

- Connect the rated cables only.
- Connect using a driver which is able to apply the rated torque to the screws.
- If the terminal is loose, fire may occur caused by arc. If the terminal is connected too firmly, the terminal may be damaged.

Tightening torque (kgf • cm)	
M4	12.0 to 18.0
M5	20.0 to 30.0

- 1N · m = 10 kgf · cm

⚠ CAUTION

- When connecting cables, you can connect the cables to the electrical part or connect them through the holes below depending on the spot.
- Connect the communication cable between the indoor and outdoor units through a conduit to protect against external forces, and feed the conduit through the wall together with refrigerant piping.
- Remove all burrs at the edge of the knock-out hole and secure the cable to the outdoor knock-out using lining and bushing with an electrical insulation such as rubber and so on.
- Must keep the cable in a protection tube.
- Keep distances of 50mm or more between power cable and communication cable.
- When the cables are connected through the hole, remove the Plate bottom.

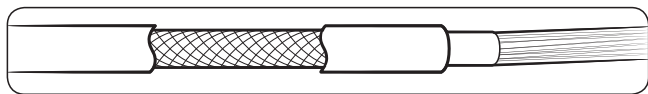
※ In case you want more information about the controllers and accessories, please refer to the Controller and Accessory TDB on pvi.Samsung.com site or Global Partner Portal site.

13. Installation

Outdoor-to-indoor power and communication cables specifications

Indoor power supply		
Power supply	Max/Min (V)	Indoor power cable
1Φ, 220-240V, 50 Hz	±10%	1.5 mm ² ↑, 3 wires
Communication cable		
0.75 to 1.5 mm ² , 2 wires		

- Power supply cords of parts of appliances for outdoor use shall not be lighter than polychloroprene sheathed flexible cord. (Code designation IEC:60245 IEC 57 / CENELEC: H05RN-F or IEC:60245 IEC 66 / CENELEC: H07RN-F)
- When installing the indoor unit in a computer room or net work room, server room or in the presence of risk of disturbance to the communication cable, use the double shielded (tape aluminium / polyester braid + copper) cable of FROHH2R type.

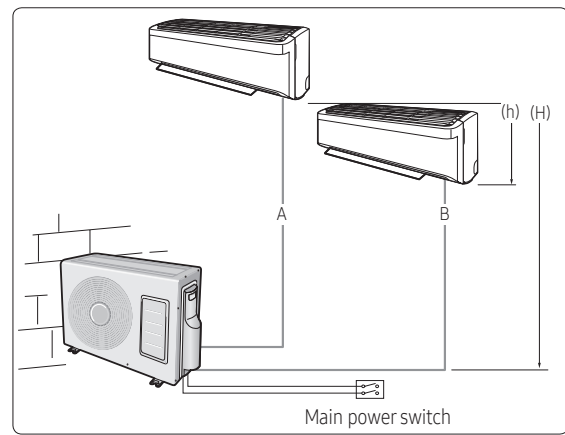


Connecting the refrigerant pipe

◆ AJ040/050TXJ2KG

1 Piping outside diameter

Indoor unit	Out unit	Power supply Ø, V, Hz	Outside diameter	
			Liquid	Gas
AR07/09/12*****, AJ026/035TN*D*G	AJ040TXJ2KG	1,220-240, 50	1/4"	3/8"
AR07/09/12*****, AJ016/020/026 /035TN*D*G	AJ050TXJ2KG	1,220-240, 50	1/4"	3/8"
AR18*****, AJ052TNJDKG				1/2"

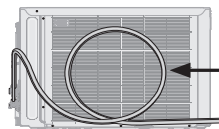


NOTE

- This product requires no additional refrigerant charge up to the maximum allowable pipe length.

Maximum allowable refrigerant charge amount	
AJ040TXJ2KG/EU	980 g
AJ050TXJ2KG/EU	1180 g

- AJ040TXJ2KG Outdoor unit cannot be connected to the following indoor unit combination.
 - AJ0**TNNDKG/AJ0**TNLDEG



Make at least one round:
It will reduce noise and vibration

2 Piping outside diameter

	1 Room max length	2 Room total max length	Max height between indoor unit & outdoor unit	Max height between indoor units
Dimension	20m	30m	15m	7.5m
Composition	A,B	A+B	(H)	(h)

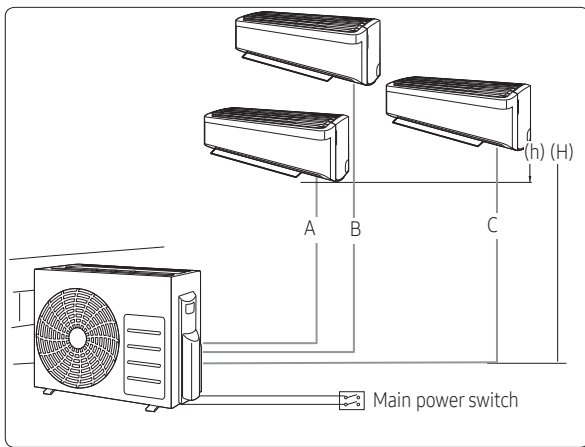
※ In case you want more information about the controllers and accessories, please refer to the Controller and Accessory TDB on pvi.Samsung.com site or Global Partner Portal site.

13. Installation

◆ AJ052/068TXJ3KG

1 Piping outside diameter

Indoor unit	Out unit	Power supply Ø, V, Hz	Outside diameter	
			Liquid	Gas
AR07/09/12*****, AJ016/020/026 /035TN*D*G	AJ052TXJ3KG AJ068TXJ3KG	1,220-240, 50	1/4"	3/8"
AR18*****, AJ052TN*D*G				1/2"

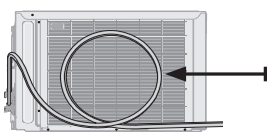


NOTE

- AJ052TXJ3KG Outdoor unit cannot be connected to the following indoor unit combination.
 - AJ052TNNDKG/AJ052TNMDEG
- AJ068TXJ3KG Outdoor unit cannot be connected to the following indoor unit combination.
 - AJ***TNJDKG

2 Piping outside diameter

	1 Room max length	3 Room total max length	Max height between indoor unit & outdoor unit	Max height between indoor units
Dimension	25m	50m	15m	7.5m
Composition	A,B,C	A+B+C	(H)	(h)

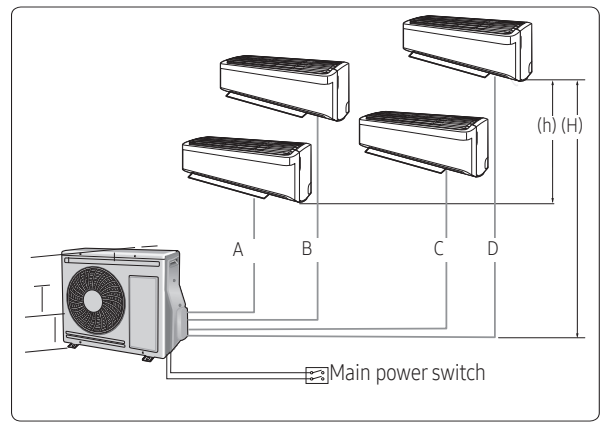


Make at least one round:
It will reduce noise and vibration

◆ AJ080TXJ4KG

1 Piping outside diameter

Indoor unit	Out unit	Power supply Ø, V, Hz	Outside diameter	
			Liquid	Gas
AR07/09/12*****, AJ016/020/026 /035TN*D*G	AJ080TXJ4KG	1,220-240, 50	1/4"	3/8"
AR18*****, AJ052TN*D*G				1/2"
AR24*****				5/8"

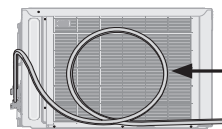


NOTE

- AJ080TXJ4KG Outdoor unit cannot be connected to the following indoor unit combination.
 - AJ***TNJDKG

2 Piping length and the height

	1 Room max length	4 Room total max length	Max height between indoor unit & outdoor unit	Max height between indoor units
Dimension	25m	70m	15m	7.5m
Composition	A,B,C,D	A+B+C+D	(H)	(h)



Make at least one round:
It will reduce noise and vibration

※ In case you want more information about the controllers and accessories, please refer to the Controller and Accessory TDB on pvi.Samsung.com site or Global Partner Portal site.

13. Installation

- Because your air conditioner contains R-32 refrigerant, make sure that it is installed, operated, and stored in a room whose floor area is larger than the minimum required floor area specified in the following table:

Minimum required room area (A,m ²)			
m (kg)	Ceiling-mounted	Wall-mounted	Floor-standing
≤ 1.842	No requirement		
1.843	3.64	4.45	28.9
1.9	3.75	4.58	30.7
2.0	3.95	4.83	34.0
2.2	4.34	5.31	41.2
2.4	4.74	5.79	49.0
2.6	5.13	6.39	57.5
2.8	5.53	7.41	66.7
3.0	5.92	8.51	76.6
3.2	6.48	9.68	87.2
3.4	7.32	10.9	98.4
3.6	8.20	12.3	110
3.8	9.14	13.7	123
4.0	10.1	15.1	136
4.2	11.2	16.7	150
4.4	12.3	18.3	165
4.6	13.4	20.0	180
4.8	14.6	21.8	196
5.0	15.8	23.6	213

- m : Total refrigerant charge in the system
- A : Minimum required floor area
- IMPORTANT: it's mandatory to consider either the table above or taking into consideration the local law regarding the minimum living space of the premises.
- Minimum installation height of indoor unit is 0.6 m for floor mounted, 1.8 m for wall, 2.2 m for ceiling.

CAUTION

- 3 m as minimum pipe length: It will reduce noise and vibration.
- Tighten the nuts to the specified torques. If overtightened, the nuts could be broken so refrigerant may leak.
- Protect or enclose refrigerant tubing to avoid mechanical damage.

※ In case you want more information about the controllers and accessories, please refer to the Controller and Accessory TDB on pvi.samsung.com site or Global Partner Portal site.

NOTE

- The appearance of the unit may be different from the diagram depending on the model.
- You can use the Cool and Heat modes in the following conditions :

Model	Cool	Heat
Outdoor temperature	-10 °C to 46 °C	-15 °C to 24 °C

- It could take maximum 60 minutes to operate for the protection of the compressor, if the outdoor temperature is below -5°C.

Connecting up and removing air in the circuit

WARNING

- When installing, make sure there is no leakage. When recovering the refrigerant, ground the compressor first before removing the connection pipe. If the refrigerant pipe is not properly connected and the compressor works with the service valve open, the pipe inhales the air and it makes the pressure inside of the refrigerant cycle abnormally high. It may cause explosion and injury.

The outdoor unit is loaded with sufficient R-32 refrigerant. Do not vent R-32 into atmosphere: it is a fluorinated greenhouse gas, covered by Kyoto Protocol, with a Global Warming Potential (GWP) = 675. You should purge the air in the indoor unit and in the pipe. If air remains in the refrigerant pipes, it affects the compressor. It may cause reduction of cooling capacity and malfunction. Refrigerant for air purging is not charged in the outdoor unit. Use Vacuum Pump as seen in the picture.

13. Installation

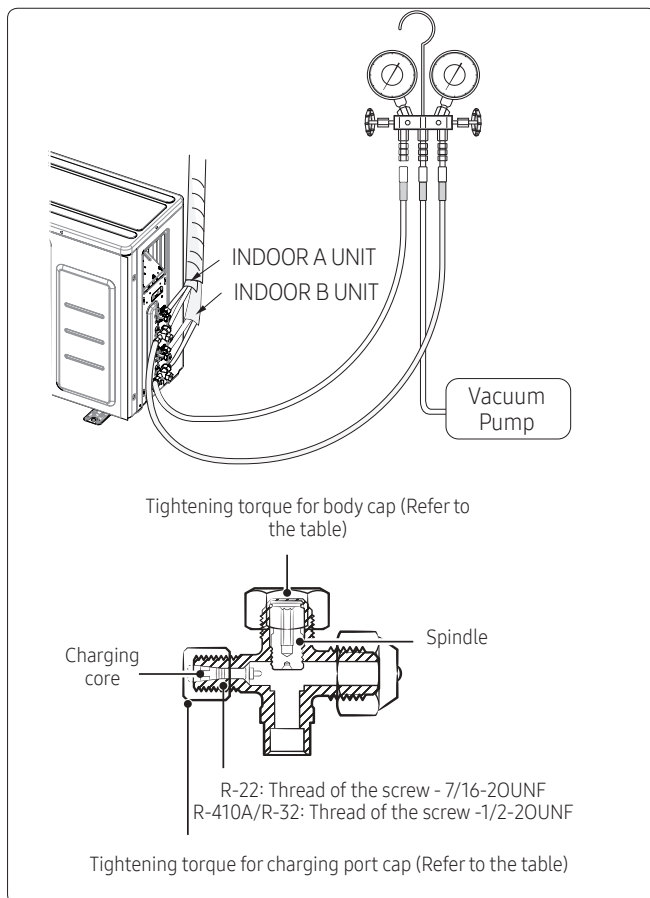
- 1 Check the piping connections.
- 2 Connect the charging hose of low pressure side of manifold gauge to the packed valve having a service port.

Model Name	Valve	
	3/8"	1/2"
AJ040TXJ2KG AJ050TXJ2KG	2	-
AJ052TXJ3KG	2	1
AJ068TXJ3KG	1	2
AJ080TXJ4KG	2	2

- If the valve diameter of indoor and outdoor unit are different, please use Tube-connector.

⚠ CAUTION

- Make the electrical connection and leave the system into "stand by mode". Do not turn on the system! This is necessary for better vacuum operation (full OPEN position of Electronic Expansion Valve - EEV -).



- 3 Open the valve of the low pressure side of manifold gauge counter clockwise.

※ In case you want more information about the controllers and accessories, please refer to the Controller and Accessory TDB on pvi.Samsung.com site or Global Partner Portal site.

- 4 Purge the air from the system using vacuum pump for about 30 minutes.
 - Close the valve of the low pressure side of manifold gauge clockwise.
 - Make sure that pressure gauge show -0.1MPa(-76cmHg) after about 1 hour. This procedure is very important in order to avoid gas leak.
 - Turn off the vacuum pump.
 - Remove the hose of the low pressure side of manifold gauge.
- 5 Set spindle of both liquid side and gas side of stop valve to the open position.
- 6 Mount the valve stem nuts and the service port cap to the valve, and tighten them with a torque wrench.

Outer diameter (mm)	Tightening torque	
	Body cap (N•m)	Charging port cap (N•m)
ø 6.35	20 to 25	10 to 12
ø 9.52	20 to 25	
ø 12.70	25 to 30	
ø 15.88	30 to 35	

Adding refrigerant (R-32)

Precautions on adding the R-32 refrigerant

In addition to the conventional charging procedure, the following requirements shall be kept.

- Make sure that contamination by other refrigerants does not occur for charging.
- To minimize the amount of refrigerant, keep the hoses and lines as short as possible.
- The cylinders shall be kept upright.
- Make sure that the refrigeration system is earthed before charging.
- Label the system after charging, if necessary.
- Extreme care is required not to overcharge the system.
- Before recharging, the pressure shall be checked with nitrogen blowing.
- After charging, check for leakage before commissioning.
- Be sure to check for leakage before leaving the work area.

13. Installation

Important information regulation regarding the refrigerant used

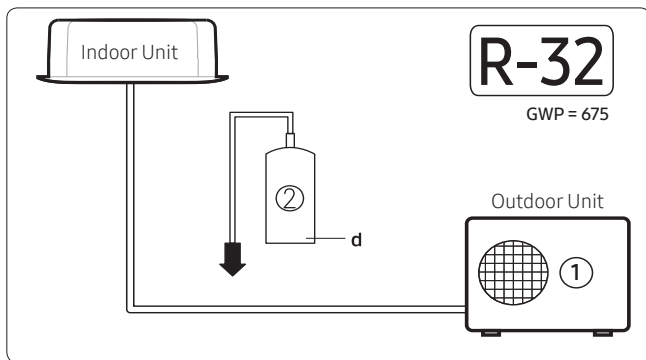
This product contains fluorinated greenhouse gases. Do not vent gases into the atmosphere.

⚠ CAUTION

- Inform user if system contains 5 tCO₂e or more of fluorinated greenhouse gases. In this case, it has to be checked for leakage at least once every 12 months, according to regulation n°517/2014. This activity has to be covered by qualified personnel only.
- In case situation above (5 tCO₂e or more of R-32), installer (or recognized person which has responsibility for final check) has to provide a maintenance book, with all the information recorded according to REGULATION (EU) No 517/2014 OF THE EUROPEAN PARLIAMENT AND OF THE COUNCIL of 16 April 2014 on fluorinated greenhouse gases.

Please fill in the following with indelible ink on the refrigerant charge label supplied with this product and on this manual.

- ①: The factory refrigerant charge of the product.
- ②: The additional refrigerant amount charged in the field.
- ① + ②: The total refrigerant charge.



Unit	kg	tCO ₂ e
①, a		
②, b		
① + ②, c		

Refrigerant type	GWP value
R-32	675

- GWP: Global Warming Potential
- Calculating tCO₂e : kg x GWP / 1000

📄 NOTE

- a Factory refrigerant charge of the product: see unit name plate
- b Additional refrigerant amount charged in the field (Refer to the above information for the quantity of refrigerant replenishment.)
- c Total refrigerant charge
- d Refrigerant cylinder and manifold for charging

LEAK TEST WITH NITROGEN (before opening valves)

In order to detect basic refrigerant leaks, before recreating the vacuum and recirculating the R-32, it is the responsibility of the installer to pressurize the whole system with nitrogen (using a cylinder with pressure reducer) at a pressure above 4 MPa (gauge).

LEAK TEST WITH R-32 (after opening valves)

Before opening valves, discharge all the nitrogen into the system and create vacuum. After opening valves check leaks using a leak detector for refrigerant R-32. Once you have completed all the connections, check for possible leaks using leak detector specifically designed for HFC refrigerants.

※ In case you want more information about the controllers and accessories, please refer to the Controller and Accessory TDB on pvi.Samsung.com site or Global Partner Portal site.

13. Installation

Calculating the quantity of refrigerant to add

The quantity of additional refrigerant is variable according to the installation situation. Thus, make sure the outdoor unit situation before adding refrigerant.

If you install the excessive length of pipe, add additional refrigerant as 10g or 20g per unit meter ; refer to the table below. Refer to the Service Manual for more details on this operation.

Model	Total connecting pipe length (L)	Adding refrigerant
AJ040TXJ2KG AJ050TXJ2KG	LT≤30m	Chargeless
AJ052TXJ3KG AJ068TXJ3KG	LT≤30m	Chargeless
	LT≥30m	(LT-30m)x10g
AJ080TXJ4KG	LT≤30m	Chargeless
	LT≥30m	(LT-30m)x20g

⚠ CAUTION

- The filled-out label must be adhered in the proximity of the product charging port (e.g. onto the inside of the stop valve cover).
- Make sure that the total refrigerant charge does not exceed (A), the maximum refrigerant charge, which is calculated in the following formula: Maximum refrigerant charge (A)= factory refrigerant charge (B) + maximum additional refrigerant charge due to piping extension (C).
- Here below, the summary table with refrigerant charge limits for each products.

(Unit:g)

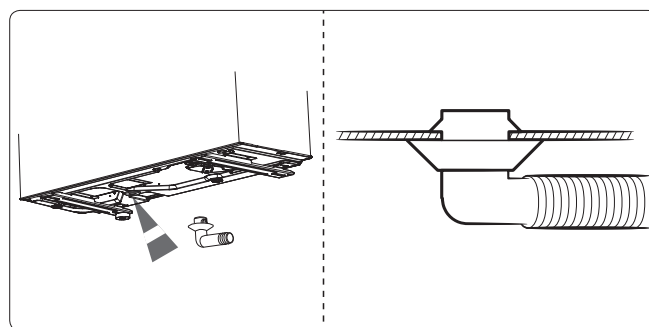
Model	A	B	C
AJ040TXJ2KG/EU	980	980	0
AJ050TXJ2KG/EU	1180	1180	0
AJ052TXJ3KG/EU	1750	1550	200
AJ068TXJ3KG/EU	2200	2000	200
AJ080TXJ4KG/EU	2800	2000	800

Connecting the drain hose to the outdoor unit

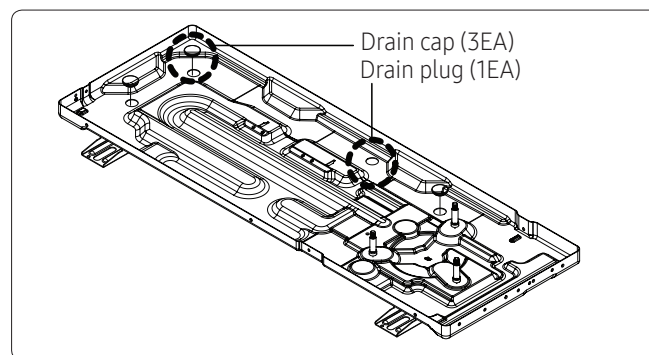
When heating, ice may accumulate. During the process of defrosting, check if condensation draining is adequate.

For adequate draining, do the following :

- 1 Insert the drain plug into the drain hole on the underside of the outdoor unit.
- 2 Connect the drain hose to the drain plug.
- 3 Ensure that condensation draining is adequate.



- 4 Be sure to plug the rest of drain holes not connected with drain plugs using drain caps.



- When installing the product, make sure that the rack is not placed under the drain hole.
- If the product is installed in a region of heavy snow, allow enough separation distance between the product and the ground.

※ In case you want more information about the controllers and accessories, please refer to the Controller and Accessory TDB on pvi.Samsung.com site or Global Partner Portal site.

2020. 06
Ver.2.2

Samsung Electronics Co., LTD.

Head Office (Suwon Korea) 129, Samsung-Ro, Yeongtong-Gu, Suwon City, Gyeonggi-Do, Korea 16677
Website : www.samsung.com, <https://partnerhub.samsung.com> Email : airconditioner@samsung.com
Images and data in this book may subject to change without prior notice.