

SAMSUNG

FJM

Technical Data Book

**Free Joint Multi for Europe
(R32, 50Hz, HP)**



Model : Outdoor unit (AJ****CJ*EG/EU)

Indoor unit (Wall-mounted, Wind-Free 1Way Cassette, Wind-Free 4Way Cassette(600x600), Duct, Console)

History

Version	Modification	Date	Remark
Ver.1.0	Released FJM for Europe TDB (R32)	17.12.20	
Ver.1.1	Modified Net/Shipping Weight of indoor units	18.01.18	
Ver.2.0	Added 2018 New Line up (Outdoor Unit, Indoor Unit : Wind-Free 1Way, Wind-Free 4Way(600x600), Duct)	18.12.07	
Ver.2.1	Added New Line up (Outdoor Unit : 8/10kW, Indoor Unit : Console)	19.02.08	
Ver.2.2	Updated the Combination Table of 5.2/6.8kW line up	19.03.14	
Ver.2.3	Updated the Combination Table of 8/10kW line up	19.04.22	
Ver.2.4	Updated the panel name of the 4Way cassette(600x600)	19.04.29	
Ver.3.0	Added New 2019 RAC Line up	19.07.12	

Nomenclature

Outdoor Unit

Model Name

AJ	050	N	C	J	2	E	G	/	EU
(1)	(2)	(3)	(4)	(5)	(6)	(7)	(8)		Buyer

(1) Classification

AC	CAC
AM	DVM
AJ	FJM (Free Joint Multi)
AE	EHS

(2) Capacity

X1/10 kW (3 digits)

(3) Version

M	2017
N	2018
R	2019

(4) Product Type

S	SET (NASA)
N	Indoor Unit (NASA)
X	Outdoor Unit (NASA)
A	SET (Non NASA)
B	Indoor Unit (Non NASA)
C	Outdoor Unit (Non NASA)

(5) Product Notation

J	Free Joint Multi
P	Pack Multi
H	DVM Home

(6) Feature

2	2 Room
3	3 Room
4	4 Room
5	5 Room

(7) Rating Voltage

A	115V, 60Hz
B	220V, 60Hz
C	208~230V, 60Hz
D	200~220V, 50Hz
E	220~240V, 50Hz

(8) Mode

C	Cooling Only (R410A)
H	Heat Pump (R410A)
F	Cooling Only (R32)
G	Heat Pump (R32)

Nomenclature

Indoor Unit

Wall Mounted Type

Model Name

AR	09	N	X	W	SA	UR	N	EU
(1)	(2)	(3)	(4)	(5)	(6)	(7)	(8)	Buyer

(1) Classification

AR	RAC
-----------	-----

(2) Capacity

X 1000 Btu/h (2 digits)

(3) Version

J	2015
K	2016
M	2017
N	2018
R	2019

(4) Feature 1

S	Inverter Heat Pump R410A
V	Inverter Cooling Only R410A
X	Inverter Heat Pump R32
Y	Inverter Cooling Only R32

(5) Feature 2

F	SPI not included
P	Wi-Fi + SPI
W	Wi-Fi
C	Wi-Fi + SPI + PM2.5

(6) Series

FB	FLG (A3050 Best, AR9570) 2nd
DB	DLX (A3050 Better, AR7580) 2nd
SA	STD (A3050 Good1, AR5580) 1st
SB	STD (A3050 Good1, AR5580) 2nd
NA	ENT (A3050 Good2, AR5680) 1st
PE	Maldives (A+High)
HB	New Boracay (No Pattern)
XA	Wind-Free (A3050) 1st
XB	Wind-Free (A3050) 2nd
XC	Wind-Free (A3050) 3rd

(7) Color

WK	DA White
WQ	DA White
UR	Midnight Blue
SI	Vivaldi White

(8) Product

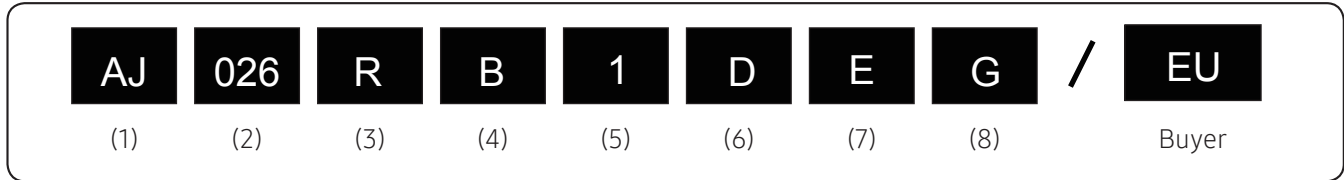
N	Indoor Unit
X	Outdoor Unit

Nomenclature

Indoor Unit

1Way Cassette, 4Way Cassette(600x600), Duct, Console Type

Model Name



(1) Classification

AC	CAC
AM	DVM
AJ	FJM (Free Joint Multi)
AE	EHS

(2) Capacity

X1/10 kW (3 digits)

(3) Version

M	2017
N	2018
R	2019

(4) Product Type

S	SET (NASA)
N	Indoor Unit (NASA)
X	Outdoor Unit (NASA)
A	SET (Non NASA)
B	Indoor Unit (Non NASA)
C	Outdoor Unit (Non NASA)

(5) Product Notation

1	(Wind-Free) 1Way Cassette
N	(Wind-Free) 4Way Cassette (600x600)
L	Slim Duct
M	MSP Duct
J	Console

(6) Feature

D	DELUXE
----------	--------

(7) Rating Voltage

A	115V, 60Hz
B	220V, 60Hz
C	208~230V, 60Hz
D	200~220V, 50Hz
E	220~240V, 50Hz

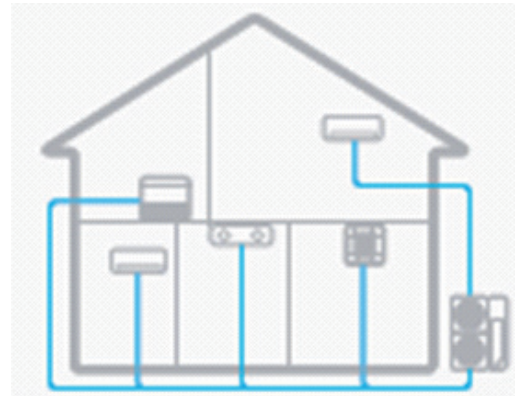
(8) Mode

C	Cooling Only (R410A)
H	Heat Pump (R410A)
F	Cooling Only (R32)
G	Heat Pump (R32)

Features & Benefits

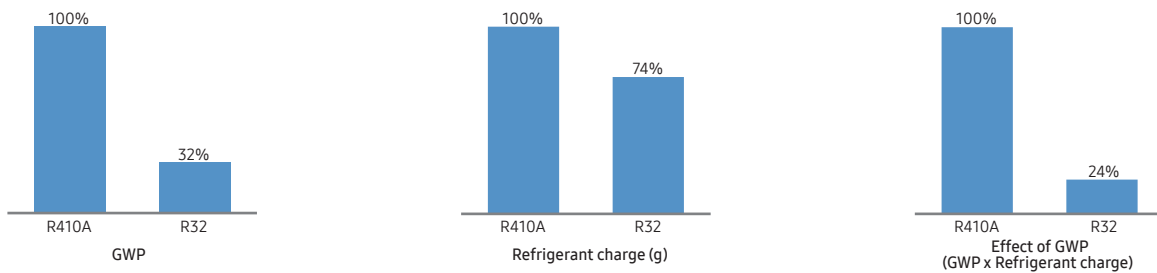
Universal Connection

A single outdoor unit supporting up to five indoor units, the FJM system is ideal for residential spaces with multiple rooms to increase space efficiency.



New refrigerant R32

We use R-32 and reduce Refrigerant charge, so we can reduce the global warming potential and protect our Earth.



<A Comparison between R410A and R32 of FJM 5kW outdoor>

Setting to Cool or Heat only mode

This function enables the indoor units connected to the outdoor unit to operate in a specific mode. When you want to operate all indoor units with the cooling mode or heating mode.

Auto addressing & Auto pipe inspection

It can automatically set the address of the indoor unit and inspect pipes with one push of the button. Installation is very simple.

Samsung Smart Home

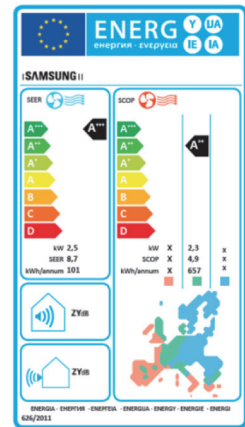
Control the FJM with only one application. This feature is optional to the several models



Features & Benefits

Top-class energy efficiency A+++

Featuring a suite of energy-optimizing technologies, Samsung FJM delivers top-class energy efficiency to support businesses in saving costs and the environment



Power improvement mode

The power improvement mode has the following power reduction effects.





- Reduced power at Thermo off
 - When the air conditioner operates in Cool, Dry, and Auto mode, if Thermo off is reached during cooling, the fan and display of the indoor unit are turned off after 5 minutes
 - When you operates the remote control, the indoor unit display turns on again.
- Standby mode operation
 - When all indoor units are turned off, the air conditioner recognizes it and enters the standby mode.
 - The product power consumption in the standby mode is 3.5 W or less.

Contents

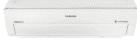






























1. Line-up	9
2. Specification	11
3. Electric Characteristics	43
4. Combination Table	44
5. Dimensional Drawing	62
6. Center of Gravity	82
7. Electrical Wiring Diagram	88
8. Sound Data	98
9. Fan Characteristics (PQ curve)	122
10. Operation Range	124
11. Piping Diagram	125
12. Capacity Table	132
13. Installation	313

1. Line-up

1-1. Outdoor units

















Capacity (kW)	4	5	5.2	6.8 / 8	10.0
Image					
Model	AJ040NCJ2EG/EU	AJ050NCJ2EG/EU	AJ052RCJ3EG/EU	AJ068RCJ3EG/EU AJ080RCJ4EG/EU	AJ100RCJ5EG/EU

1-2. Indoor units

Capacity (kW) Type	1.6	2.0	2.5	2.6	3.5	5.0	5.2	6.5
A3050 (Good1)								
Maldives								
New Boracay								
Wind-Free								
Wind-Free 1Way CASSETTE								
Wind-Free 4Way CASSETTE (600x600)								
Slim duct								
MSP duct								
Console								

1. Line-up

1-3. Combination Table (Outdoor-Indoor)

Indoor Unit		Outdoor Unit									
		Model	Capacity (kW)								
Model		Capacity (kW)	4.0	5.0	5.2	6.8	8.0	8.0	10.0	10.0	
 A3050 Good1	AR07/09/12NXWSAURNEU	2.0	●	●	●	●	●	●	●	●	
	AR07/09/12MXWSAWKNEU	2.5	●	●	●	●	●	●	●	●	
	AR07/09/12RXWSAURNEU	3.5	●	●	●	●	●	●	●	●	
 Maldives	AR07/09/12NXFPEWQNEU	2.0	●	●	●	●	●	●	●	●	
	AR07/09/12RXFPEWQNEU	2.5	●	●	●	●	●	●	●	●	
	AR07/09/12RXFPEWQNEU	3.5	●	●	●	●	●	●	●	●	
	AR18/24RXFPEWQNEU	5.0			●	●	●	●	●	●	
 New Boracay	AR07/09/12NXFHBWKNEU	2.0	●	●	●	●	●	●	●	●	
	AR07/09/12NXFHBWKNEU	2.5	●	●	●	●	●	●	●	●	
	AR07/09/12NXFHBWKNEU	3.5	●	●	●	●	●	●	●	●	
	AR18/24RXFHBWKNEU	5.0			●	●	●	●	●	●	
 Wind-Free RAC	AR07/09/12NXWCWKNEU	2.0	●	●	●	●	●	●	●	●	
	AR07/09/12NXPBWKNEU	2.5	●	●	●	●	●	●	●	●	
	AR07/09/12NXWXBWKNEU	3.5	●	●	●	●	●	●	●	●	
	AR07/09/12NXCXAWKNEU	3.5	●	●	●	●	●	●	●	●	
	AR07/09/12/18/24RXPBWKNEU	5.0			●	●	●	●	●	●	
AR07/09/12/18/24RXWCWKNEU	6.5					●	●	●	●		
 Wind-Free 1Way CASSETTE	AJ026/035RB1DEG/EU	2.6	●	●	●	●	●	●	●	●	
	AJ026/035RB1DEG/EU	3.5	●	●	●	●	●	●	●	●	
 Wind-Free 4Way CASSETTE (600x600)	AJ016/020/026RBNDG/EU	1.6		●	●	●	●	●	●	●	
	AJ016/020/026RBNDG/EU	2.0		●	●	●	●	●	●	●	
	AJ035/052RBNDG/EU	2.6		●	●	●	●	●	●	●	
	AJ035/052RBNDG/EU	3.5		●	●	●	●	●	●	●	
	AJ035/052RBNDG/EU	5.2				●	●	●	●	●	
 Slim duct	AJ026/035RBLDEG/EU	2.6		●	●	●	●	●	●	●	
	AJ026/035RBLDEG/EU	3.5		●	●	●	●	●	●	●	
 MSP duct	AJ052RBMDEG/EU	5.2				●	●	●	●		
 Console	AJ026/035/052RBJDEG/EU	2.6	●	●	●						
	AJ026/035/052RBJDEG/EU	3.5	●	●	●						
	AJ026/035/052RBJDEG/EU	5.2		●	●						

2. Specification

2-1. Outdoor units

Type				Free Joint Multi	Free Joint Multi
Model Name				AJ040NCJ2EG/EU	AJ050NCJ2EG/EU
Power Supply			Φ, #, V, Hz	1, 2, 220~240, 50	1, 2, 220~240, 50
Mode			-	HP	HP
Performance	Capacity	Cooling	kW	4.0	5.0
			Btu/h	13,600	17,100
		Heating	kW	4.2	5.6
			Btu/h	14,300	19,100
Maximum number of connectable Indoor Units			EA	2	2
Power	Power Input	Cooling	kW	0.90	1.22
		Heating		0.90	1.28
	Current Input	Cooling	A	4.10	5.60
		Heating		4.10	5.90
	Current	MCA	A	9.80	11.80
		MFA		11.25	13.75
Efficiency	EER	Cooling	W/W	4.44	4.10
	COP	Heating	W/W	4.67	4.38
	SEER (Grade)		W/W	8.54 (A+++)	8.54 (A+++)
	SCOP (Grade)		W/W	4.64 (A++)	4.64 (A++)
Casing	Material	Body	-	GI steel plate	GI steel plate
		Base	-	GI steel plate	GI steel plate
Heat exchanger	Type		-	Fin & Tube	Fin & Tube
	Material	Fin	-	Al	Al
		Tube	-	Cu	Cu
	Fin Treatment		-	Anti-Corrosion	Anti-Corrosion
Compressor	Type		-	Twin BLDC Rotary Inverter	Twin BLDC Rotary Inverter
	Output		kW x n	4.09 x 1	4.09 x 1
	Model Name		-	KTN130D42UFR	KTN130D42UFR
	Oil	Type	-	ESTER OIL VG74	ESTER OIL VG74
		Initial Charge	cc	350	350
Fan	Type		-	Propeller Fan	Propeller Fan
	Discharge direction		-	Front (Horizontal)	Front (Horizontal)
	Quantity		EA	1	1
	Air Flow Rate		m ³ /min	29.7	33.05
			l/s	494	551
	External Static Pressure	Max.	mmAq	-	-
Pa			-	-	
Fan Motor	Type		-	BLDC	BLDC
	Output x n		W	40 x 1	40 x 1

2. Specification

Type			Free Joint Multi	Free Joint Multi	
Model Name			AJ040NCJ2EG/EU	AJ050NCJ2EG/EU	
Piping Connections	Liquid Pipe		Type	Flare connection	Flare connection
			Φ, mm x EA	6.35 x 2	6.35 x 2
			Φ, inch x EA	1/4" x 2	1/4" x 2
	Gas Pipe		Type	Flare connection	Flare connection
			Φ, mm x EA	9.52 x 2	9.52 x 2
			Φ, inch x EA	3/8" x 2	3/8" x 2
	Heat insulation			Both Liquid & Gas pipes	Both Liquid & Gas pipes
	Installation Limitation	Total Piping Length	m	30	30
Max. Length (OD~ID)		m	25	25	
Max. Height (ID~ID)		m	7.5	7.5	
Max. Height (OD~ID)		m	15.0	15.0	
Wiring connections	Communication	Min.	mm ²	0.75	0.75
		Remark	-	F1, F2	F1, F2
Refrigerant	Type		-	R32	R32
	Factory Charging		kg	0.98	1.18
			tCO ₂ e	0.66	0.80
Sound	Sound Pressure	Cooling	dB(A)	45	46
		Heating		46	47
	Sound Power			60	61
External Dimension	Net Weight		kg	32.0	33.0
	Shipping Weight		kg	34.0	35.0
	Net Dimensions (WxHxD)		mm	790 × 548 × 285	790 × 548 × 285
	Shipping Dimensions (WxHxD)		mm	913 × 622 × 371	913 × 622 × 371
Operating Temp. Range	Cooling		°C	-5 ~ 46	-5 ~ 46
	Heating		°C	-15 ~ 24	-15 ~ 24

NOTE

- Specifications may be subject to change without prior notice.
- 1)* Capacities are based on (Equivalent refrigerant piping : 5m, Level differences : 0m)
 - Cooling : Indoor temperature : 27°C DB, 19°C WB / Outdoor temperature : 35°C DB, 24°C WB
 - Heating : Indoor temperature : 20°C DB, 15°C WB / Outdoor temperature : 7°C DB, 6°C WB
- 2)* Select wire size based on the value of MCA
- 3)* Sound pressure level is obtained in an anechoic room.
 - Sound pressure level is a relative value, depending on the distance and acoustic environment.
 - Sound pressure level may differ depending on operation condition.
 - dBA = A-weighted sound pressure level
 - Reference acoustic pressure 0 dB = 20uPa
- 4)* Sound power level is an absolute value that a sound source generates.
 - dBA = A-weighted sound power level
 - Reference power : 1pW
 - Measured according to ISO 3741
- 5)* These products contain R32 (GWP=675) which is fluorinated greenhouse gas.

2. Specification

2-1. Outdoor units

Type				Free Joint Multi	Free Joint Multi
Model Name				AJ052RCJ3EG/EU	AJ068RCJ3EG/EU
Power Supply			Φ, #, V, Hz	1, 2, 220~240, 50	1, 2, 220~240, 50
Mode			-	HP	HP
Performance	Capacity	Cooling	kW	5.2	6.8
			Btu/h	17,700	23,200
		Heating	kW	6.3	8.0
			Btu/h	21,500	27,300
Maximum number of connectable Indoor Units			EA	3	3
Power	Power Input	Cooling	kW	1.25	1.80
		Heating		1.32	1.81
	Current Input	Cooling	A	5.50	8.10
		Heating		6.10	8.20
	Current	MCA	A	11.90	17.50
		MFA		13.75	20.75
Efficiency	EER	Cooling	W/W	4.16	3.78
	COP	Heating	W/W	4.77	4.42
	SEER (Grade)		W/W	8.51 (A+++)	7.75 (A++)
	SCOP (Grade)		W/W	4.60 (A++)	4.32 (A+)
Casing	Material	Body	-	GI steel plate	GI steel plate
		Base	-	GL steel plate	GL steel plate
Heat exchanger	Type	-	-	Fin & Tube	Fin & Tube
	Material	Fin	-	Al	Al
		Tube	-	Cu	Cu
	Fin Treatment		-	-	Anti-Corrosion
Compressor	Type	-	-	Twin BLDC Rotary	Twin BLDC Rotary
	Output		kW x n	4.68 x 1	7.65 x 1
	Model Name		-	KTN150D42UFR	KTF235D22UMV
	Oil	Type	-	ESTER OIL VG74	ESTER OIL VG74
		Initial Charge	cc	450	670
Fan	Type	-	-	Propeller Fan	Propeller Fan
	Discharge direction		-	Front (Horizontal)	Front (Horizontal)
	Quantity		EA	1	1
	Air Flow Rate		m ³ /min	38.0	47.5
			l/s	633	792
	External Static Pressure	Max.	mmAq	-	-
			Pa	-	-
Fan Motor	Model		-	BLDC	BLDC
	Output x n		W	125 x 1	125 x 1

2. Specification

Type			Free Joint Multi	Free Joint Multi	
Model Name			AJ052RCJ3EG/EU	AJ068RCJ3EG/EU	
Piping Connections	Liquid Pipe		Type	Flare connection	Flare connection
			Φ, mm x EA	6.35 x 3	6.35 x 3
			Φ, inch x EA	1/4 x 3	1/4 x 3
	Gas Pipe		Type	Flare connection	Flare connection
			Φ, mm x EA	9.52 x 2 + 12.70	9.52 + 12.70 x 2
			Φ, inch x EA	3/8 x 2 + 1/2	3/8 + 1/2 x 2
	Heat insulation		-	Both Liquid & Gas pipes	Both Liquid & Gas pipes
	Installation Limitation	Total Piping Length	m	50	50
		Max. Length (OD~ID)	m	25	25
		Max. Height (ID~ID)	m	7.5	7.5
Max. Height (OD~ID)		m	15	15	
Wiring connections	Communication	Min.	mm ²	0.75	0.75
		Remark	-	F1, F2	F1, F2
Refrigerant	Type		-	R32	R32
	Factory Charging		kg	1.55	2.00
			tCO ₂ e	1.05	1.35
Sound	Sound Pressure	Cooling	dB(A)	46	48
		Heating		48	50
	Sound Power			61	64
External Dimension	Net Weight		kg	44.5	57.5
	Shipping Weight		kg	47.5	61.5
	Net Dimensions (WxHxD)		mm	880 x 638 x 310	880 x 798 x 310
	Shipping Dimensions (WxHxD)		mm	1,023 x 742 x 413	1,023 x 896 x 413
Operating Temp. Range	Cooling		°C	-10 ~ 46	-10 ~ 46
	Heating		°C	-15 ~ 24	-15 ~ 24

NOTE

- Specifications may be subject to change without prior notice.
- 1)* Capacities are based on (Equivalent refrigerant piping : 5m, Level differences : 0m)
 - Cooling : Indoor temperature : 27°C DB, 19°C WB / Outdoor temperature : 35°C DB, 24°C WB
 - Heating : Indoor temperature : 20°C DB, 15°C WB / Outdoor temperature : 7°C DB, 6°C WB
- 2)* Select wire size based on the value of MCA
- 3)* Sound pressure level is obtained in an anechoic room.
 - Sound pressure level is a relative value, depending on the distance and acoustic environment.
 - Sound pressure level may differ depending on operation condition.
 - dBA = A-weighted sound pressure level
 - Reference acoustic pressure 0 dB = 20uPa
- 4)* Sound power level is an absolute value that a sound source generates.
 - dBA = A-weighted sound power level
 - Reference power : 1pW
 - Measured according to ISO 3741
- 5)* These products contain R32 (GWP=675) which is fluorinated greenhouse gas.

2. Specification

2-1. Outdoor units

Type				Free Joint Multi	Free Joint Multi
Model Name				AJ080RCJ4EG/EU	AJ100RCJ5EG/EU
Power Supply			Φ, #, V, Hz	1, 2, 220~240, 50	1, 2, 220~240, 50
Mode			-	HP	HP
Performance	Capacity	Cooling	kW	8.0	10.0
			Btu/h	27,296	34,120
		Heating	kW	9.3	12.0
			Btu/h	31,732	40,944
Maximum number of connectable Indoor Units			EA	4	5
Power	Power Input	Cooling	kW	1.97	2.75
		Heating		2.13	2.82
	Current Input	Cooling	A	8.90	12.20
		Heating		9.50	12.80
	Current	MCA	A	17.80	24.50
		MFA		20.75	28.75
Efficiency	EER	Cooling	W/W	4.06	3.64
	COP	Heating	W/W	4.37	4.26
	SEER (Grade)		W/W	7.75 (A++)	8.00 (A++)
	SCOP (Grade)		W/W	4.10 (A+)	4.32 (A+)
Casing	Material	Body	-	GI steel plate	GI steel plate
		Base	-	GL steel plate	GL steel plate
Heat exchanger	Type		-	Fin & Tube	Fin & Tube
	Material	Fin	-	Al	Al
		Tube	-	Cu	Cu
	Fin Treatment		-	Anti-Corrosion	Anti-Corrosion
Compressor	Type		-	Twin BLDC Rotary x 1	Twin BLDC Rotary
	Output		kW x n	7.65 x 1	10.01 x 1
	Model Name		-	KTF235D22UMV	KTF310D43UMT
	Oil	Type	-	ESTER OIL VG74	ESTER OIL VG74
		Initial Charge	cc	-	-
Fan	Type		-	Propeller Fan/BLDC	Propeller Fan
	Discharge direction		-	Front (Horizontal)	Front (Horizontal)
	Quantity		EA	1	1
	Air Flow Rate		m ³ /min	48	74.96
			l/s	792	1249
	External Static Pressure	Max.	mmAq	-	-
			Pa	-	-
Fan Motor	Type		-	BLDC	BLDC
	Output x n		W	125 x 1	125 x 1

2. Specification

Type			Free Joint Multi	Free Joint Multi	
Model Name			AJ080RCJ4EG/EU	AJ100RCJ5EG/EU	
Piping Connections	Liquid Pipe		Type	Flare connection	Flare connection
			Φ, mm x EA	6.35 x 4	6.35 x 5
			Φ, inch x EA	1/4 x 4	1/4 x 5
	Gas Pipe		Type	Flare connection	Flare connection
			Φ, mm x EA	9.52 x 2 + 12.7 x 2	9.52 x 2 + 12.7 x 3
			Φ, inch x EA	3/8 x 2 + 1/2 x 2	3/8 x 2 + 1/2 x 3
	Heat insulation		-	Both Liquid & Gas pipes	Both Liquid & Gas pipes
	Installation Limitation	Total Piping Length	m	70	75
		Max. Length (OD~ID)	m	25	25
		Max. Height (ID~ID)	m	7.5	7.5
Max. Height (OD~ID)		m	15	15	
Wiring connections	Communication	Min.	mm ²	0.75	0.75
		Remark	-	F1, F2	F1, F2
Refrigerant	Type		-	R32	R32
	Factory Charging		kg	2.0	2.7
			tCO ₂ e	1.35	1.82
Sound	Sound Pressure	Cooling	dB(A)	48	54
		Heating		50	56
	Sound Power			64	70
External Dimension	Net Weight		kg	57.5	76.5
	Shipping Weight		kg	61.5	82.0
	Net Dimensions (WxHxD)		mm	880 x 798 x 310	940 x 998 x 330
	Shipping Dimensions (WxHxD)		mm	1,023 x 896 x 413	995 x 1096 x 426
Operating Temp. Range	Cooling		°C	-10~46	-10~46
	Heating		°C	-15~24	-15~24

NOTE

- Specifications may be subject to change without prior notice.
- 1)* Capacities are based on (Equivalent refrigerant piping : 5m, Level differences : 0m)
 - Cooling : Indoor temperature : 27°C DB, 19°C WB / Outdoor temperature : 35°C DB, 24°C WB
 - Heating : Indoor temperature : 20°C DB, 15°C WB / Outdoor temperature : 7°C DB, 6°C WB
- 2)* Select wire size based on the value of MCA
- 3)* Sound pressure level is obtained in an anechoic room.
 - Sound pressure level is a relative value, depending on the distance and acoustic environment.
 - Sound pressure level may differ depending on operation condition.
 - dBA = A-weighted sound pressure level
 - Reference acoustic pressure 0 dB = 20uPa
- 4)* Sound power level is an absolute value that a sound source generates.
 - dBA = A-weighted sound power level
 - Reference power : 1pW
 - Measured according to ISO 3741
- 5)* These products contain R32 (GWP=675) which is fluorinated greenhouse gas.

2. Specification

2-2. Indoor units

Wall Mounted Type - A3050 Good1

Type				A3050 Good1	A3050 Good1	A3050 Good1
Model Name				AR07NXWSAURNEU	AR09NXWSAURNEU	AR12NXWSAURNEU
Power Supply			Φ, #, V, Hz	1, 2, 220~240, 50	1, 2, 220~240, 50	1, 2, 220~240, 50
Mode				HP	HP	HP
Performance	Capacity	Cooling	kW	2.0	2.75	3.5
			Btu/h	6,800	9,400	11,900
		Heating	kW	2.2	3.2	3.5
			Btu/h	7,500	10,900	11,900
Power	Power Input	Cooling	W	30	30	30
		Heating		30	30	30
	Current Input	Cooling	A	0.3	0.3	0.3
		Heating		0.3	0.3	0.3
Heat exchanger	Type		-	Fin & Tube	Fin & Tube	Fin & Tube
	Material	Fin	-	Al	Al	Al
		Tube	-	Cu	Cu	Cu
	Fin Treatment		-	Green Hydrophile	Green Hydrophile	Green Hydrophile
Fan	Type		-	Cross flow Fan	Cross flow Fan	Cross flow Fan
	Quantity		EA	1	1	1
	Air Flow Rate		m ³ /min	8.0	9.0	10.0
			l/s	133.3	150.0	166.7
	External Static pressure	Max. (Min/Std/Max)	mmAq	-	-	-
		Pa	-	-	-	
Fan Motor	Type		-	BLDC Motor	BLDC Motor	BLDC Motor
	Output x n		W	27 x 1	27 x 1	27 x 1
Piping Connections	Liquid Pipe	Type		Flare connection	Flare connection	Flare connection
		Φ, mm (inch)		6.35 (1/4")	6.35 (1/4")	6.35 (1/4")
	Gas Pipe	Type		Flare connection	Flare connection	Flare connection
		Φ, mm (inch)		9.52 (3/8")	9.52 (3/8")	9.52 (3/8")
	Heat Insulation		-	Both Liquid & Gas pipes	Both Liquid & Gas pipes	Both Liquid & Gas pipes
Drain Pipe		Φ,mm	ID18mm Hose	ID18mm Hose	ID18mm Hose	
Wiring connections	Communication	Min.	mm ²	0.75	0.75	0.75
		Remark		F1, F2	F1, F2	F1, F2
Refrigerant	Type		-	R32	R32	R32
	Electronic Expansion Valve		-	EEV NOT INCLUDED	EEV NOT INCLUDED	EEV NOT INCLUDED
Sound	Sound Pressure	H/M/L	dB(A)	37 / 27 / 22	37 / 27 / 22	38 / 28 / 22
	Sound Power	Cooling		54	54	56
Dimensions	Net Weight		kg	9.5	9.5	9.5
	Shipping Weight		kg	11.3	11.8	11.8
	Net Dimensions (WxHxD)		mm	826 x 261 x 261	826 x 261 x 261	826 x 261 x 261
	Shipping Dimensions (WxHxD)		mm	886 x 317 x 335	886 x 317 x 335	886 x 317 x 335
Casing	Material			HIPS	HIPS	HIPS

NOTE

- Specifications may be subject to change without prior notice.
- 1)* Capacities are based on (Equivalent refrigerant piping : 5m, Level differences : 0m)
 - Cooling : Indoor temperature : 27°C DB, 19°C WB / Outdoor temperature : 35°C DB, 24°C WB
 - Heating : Indoor temperature : 20°C DB, 15°C WB / Outdoor temperature : 7°C DB, 6°C WB
- 2)* Select wire size based on the value of MCA
- 3)* Sound pressure level is obtained in an anechoic room.
 - Sound pressure level is a relative value, depending on the distance and acoustic environment.
 - Sound pressure level may differ depending on operation condition.
 - dBA = A-weighted sound pressure level
 - Reference acoustic pressure 0 dB = 20uPa
- 4)* Sound power level is an absolute value that a sound source generates.
 - dBA = A-weighted sound power level
 - Reference power : 1pW
 - Measured according to ISO 3741
- 5)* These products contain R32 (GWP=675) which is fluorinated greenhouse gas.

2. Specification

2-2. Indoor units

Wall Mounted Type - A3050 Good1

Type			A3050 Good1	A3050 Good1	A3050 Good1		
Model Name			AR07MXWSAWKNEU	AR09MXWSAWKNEU	AR12MXWSAWKNEU		
Power Supply		Φ, #, V, Hz	1, 2, 220~240, 50	1, 2, 220~240, 50	1, 2, 220~240, 50		
Mode			HP	HP	HP		
Performance	Capacity	Cooling	kW	2.0	2.5	3.5	
			Btu/h	6,800	8,500	11,900	
		Heating	kW	2.2	3.2	4.0	
			Btu/h	7,500	10,900	13,600	
Power	Power Input	Cooling	W	30	30	30	
		Heating	W	30	30	30	
	Current Input	Cooling	A	0.3	0.3	0.3	
		Heating	A	0.3	0.3	0.3	
Heat exchanger	Type		-	Fin & Tube	Fin & Tube	Fin & Tube	
	Material	Fin	-	Al	Al	Al	
		Tube	-	Cu	Cu	Cu	
	Fin Treatment		-	Green Hydrophile	Green Hydrophile	Green Hydrophile	
Fan	Type		-	Cross flow Fan	Cross flow Fan	Cross flow Fan	
	Quantity		EA	1	1	1	
	Air Flow Rate		m ³ /min	10.0	11.0	12.0	
			l/s	166.7	183.3	200.0	
	External Static pressure	Max. (Min/Std/Max)	mmAq	-	-	-	
			Pa	-	-	-	
Fan Motor	Type		-	BLDC Motor	BLDC Motor	BLDC Motor	
	Output x n		W	27 x 1	27 x 1	27 x 1	
Piping Connections	Liquid Pipe	Type		Flare connection	Flare connection	Flare connection	
		Φ, mm (inch)		6.35 (1/4")	6.35 (1/4")	6.35 (1/4")	
	Gas Pipe	Type		Flare connection	Flare connection	Flare connection	
		Φ, mm (inch)		9.52 (3/8")	9.52 (3/8")	9.52 (3/8")	
Heat Insulation		-	Both Liquid & Gas pipes	Both Liquid & Gas pipes	Both Liquid & Gas pipes		
Drain Pipe		Φ,mm	ID 18mm Hose	ID 18mm Hose	ID 18mm Hose		
Wiring connections	Communication	Min.	mm ²	0.75	0.75	0.75	
		Remark		F1, F2	F1, F2	F1, F2	
Refrigerant	Type		-	R32	R32	R32	
	Electronic Expansion Valve		-	EEV NOT INCLUDED	EEV NOT INCLUDED	EEV NOT INCLUDED	
Sound	Sound Pressure	H/M/L	dB(A)	37 / 27 / 22	37 / 27 / 22	38 / 28 / 22	
	Sound Power	Cooling	dB(A)	54	54	56	
Dimensions	Net Weight		kg	11.0	11.0	11.0	
	Shipping Weight		kg	13.6	13.6	13.6	
	Net Dimensions (WxHxD)		mm	896 x 261 x 261	896 x 261 x 261	896 x 261 x 261	
	Shipping Dimensions (WxHxD)		mm	956 x 317 x 335	956 x 317 x 335	956 x 317 x 335	
Casing	Material			-	HIPS	HIPS	HIPS

NOTE

- Specifications may be subject to change without prior notice.
- 1)* Capacities are based on (Equivalent refrigerant piping : 5m, Level differences : 0m)
 - Cooling : Indoor temperature : 27°C DB, 19°C WB / Outdoor temperature : 35°C DB, 24°C WB
 - Heating : Indoor temperature : 20°C DB, 15°C WB / Outdoor temperature : 7°C DB, 6°C WB
- 2)* Select wire size based on the value of MCA
- 3)* Sound pressure level is obtained in an anechoic room.
 - Sound pressure level is a relative value, depending on the distance and acoustic environment.
 - Sound pressure level may differ depending on operation condition.
 - dBA = A-weighted sound pressure level
 - Reference acoustic pressure 0 dB = 20uPa
- 4)* Sound power level is an absolute value that a sound source generates.
 - dBA = A-weighted sound power level
 - Reference power : 1pW
 - Measured according to ISO 3741
- 5)* These products contain R32 (GWP=675) which is fluorinated greenhouse gas.

2. Specification

2-2. Indoor units

Wall Mounted Type - A3050

Type				A3050 Good1	A3050 Good1	A3050 Good1
Model Name				AR07RXWSAURNEU	AR09RXWSAURNEU	AR12RXWSAURNEU
Power Supply			Φ, #, V, Hz	1,2,220-240,50	1,2,220-240,50	1,2,220-240,50
Mode				HP	HP	HP
Performance	Capacity	Cooling	kW	2.0	2.75	3.5
			Btu/h	6,800	9,400	11,900
		Heating	kW	2.2	3.2	3.5
			Btu/h	7,500	10,900	11,900
Power	Power Input	Cooling	W	30	30	30
		Heating		30	30	30
	Current Input	Cooling	A	0.3	0.3	0.3
		Heating		0.3	0.3	0.3
Heat exchanger	Type		-	Fin & Tube	Fin & Tube	Fin & Tube
	Material	Fin	-	Al	Al	Al
		Tube	-	Cu	Cu	Cu
	Fin Treatment		-	Green Hydrophile	Green Hydrophile	Green Hydrophile
Fan	Type		-	Cross flow Fan	Cross flow Fan	Cross flow Fan
	Quantity		EA	1	1	1
	Air Flow Rate		m ³ /min	8.0	9.0	10.0
			l/s	133	150	167
	External Static pressure	Max. (Min/Std/Max)	mmAq	-	-	-
Pa			-	-	-	
Fan Motor	Type		-	BLDC Motor	BLDC Motor	BLDC Motor
	Output x n		W	27 x 1	27 x 1	27 x 1
Piping Connections	Liquid Pipe	Type		Flare connection	Flare connection	Flare connection
		Φ, mm (inch)		6.35 (1/4)	6.35 (1/4)	6.35 (1/4)
	Gas Pipe	Type		Flare connection	Flare connection	Flare connection
		Φ, mm (inch)		9.52 (3/8)	9.52 (3/8)	9.52 (3/8)
	Heat Insulation		-	Both liquid and gas pipes	Both liquid and gas pipes	Both liquid and gas pipes
Drain Pipe		Φ,mm	ID18mm Hose	ID18mm Hose	ID18mm Hose	
Wiring connections	Communication	Min.	mm ²	0.75	0.75	0.75
		Remark		-	F1, F2	F1, F2
Refrigerant	Type		-	R32 / R410A	R32 / R410A	R32 / R410A
	Electronic Expansion Valve		-	EEV NOT INCLUDED	EEV NOT INCLUDED	EEV NOT INCLUDED
Sound	Sound Pressure	H/M/L	dB(A)	37 / 27 / 22	37 / 27 / 22	38 / 28 / 22
	Sound Power	Cooling		54	54	56
Dimensions	Net Weight		kg	9.5	9.5	9.5
	Shipping Weight		kg	12.1	12.1	12.1
	Net Dimensions (WxHxD)		mm	826 x 261 x 261	826 x 261 x 261	826 x 261 x 261
	Shipping Dimensions (WxHxD)		mm	886 x 317 x 335	886 x 317 x 335	886 x 317 x 335
Casing	Material			-	HIPS	HIPS

NOTE

- Specifications may be subject to change without prior notice.
- 1)* Capacities are based on (Equivalent refrigerant piping : 5m, Level differences : 0m)
 - Cooling : Indoor temperature : 27°C DB, 19°C WB / Outdoor temperature : 35°C DB, 24°C WB
 - Heating : Indoor temperature : 20°C DB, 15°C WB / Outdoor temperature : 7°C DB, 6°C WB
- 2)* Select wire size based on the value of MCA
- 3)* Sound pressure level is obtained in an anechoic room.
 - Sound pressure level is a relative value, depending on the distance and acoustic environment.
 - Sound pressure level may differ depending on operation condition.
 - dBA = A-weighted sound pressure level
 - Reference acoustic pressure 0 dB = 20uPa
- 4)* Sound power level is an absolute value that a sound source generates.
 - dBA = A-weighted sound power level
 - Reference power : 1pW
 - Measured according to ISO 3741
- 5)* These products contain R32 (GWP=675) which is fluorinated greenhouse gas.

2. Specification

2-2. Indoor units

Wall Mounted Type - Maldives

Type				Maldives	Maldives	Maldives
Model Name				AR07NXFPEWQNEU	AR09NXFPEWQNEU	AR12NXFPEWQNEU
Power Supply			Φ, #, V, Hz	1, 2, 220~240, 50	1, 2, 220~240, 50	1, 2, 220~240, 50
Mode				HP	HP	HP
Performance	Capacity	Cooling	kW	2.0	2.75	3.5
			Btu/h	6,800	9,400	11,900
		Heating	kW	2.2	3.2	3.5
			Btu/h	7,500	10,900	11,900
Power	Power Input	Cooling	W	30	30	30
		Heating		30	30	30
	Current Input	Cooling	A	0.3	0.3	0.3
		Heating		0.3	0.3	0.3
Heat exchanger	Type		-	Fin & Tube	Fin & Tube	Fin & Tube
	Material	Fin	-	Al	Al	Al
		Tube	-	Cu	Cu	Cu
	Fin Treatment		-	Green Hydrophile	Green Hydrophile	Green Hydrophile
Fan	Type		-	Cross flow Fan	Cross flow Fan	Cross flow Fan
	Quantity		EA	1	1	1
	Air Flow Rate		m ³ /min	8.0	9.0	10.0
			l/s	133.3	150.0	166.7
	External Static pressure	Max. (Min/Std/Max)	mmAq	-	-	-
Pa			-	-	-	
Fan Motor	Type		-	BLDC Motor	BLDC Motor	BLDC Motor
	Output x n		W	27 x1	27 x1	27 x1
Piping Connections	Liquid Pipe	Type		Flare connection	Flare connection	Flare connection
		Φ, mm (inch)		6.35 (1/4")	6.35 (1/4")	6.35 (1/4")
	Gas Pipe	Type		Flare connection	Flare connection	Flare connection
		Φ, mm (inch)		9.52 (3/8")	9.52 (3/8")	9.52 (3/8")
	Heat Insulation		-	Both Liquid & Gas pipes	Both Liquid & Gas pipes	Both Liquid & Gas pipes
Drain Pipe		Φ,mm	ID 18mm Hose	ID 18mm Hose	ID 18mm Hose	
Wiring connections	Communication	Min.	mm ²	0.75	0.75	0.75
		Remark		F1, F2	F1, F2	F1, F2
Refrigerant	Type		-	R32	R32	R32
	Electronic Expansion Valve		-	EEV NOT INCLUDED	EEV NOT INCLUDED	EEV NOT INCLUDED
Sound	Sound Pressure	H/M/L	dB(A)	38 / 28 / 21	38 / 28 / 21	42 / 33 / 23
	Sound Power	Cooling		56	56	59
Dimensions	Net Weight		kg	8.0	8.0	8.0
	Shipping Weight		kg	10.0	10.0	10.0
	Net Dimensions (WxHxD)		mm	820 x 285 x 215	820 x 285 x 215	820 x 285 x 215
	Shipping Dimensions (WxHxD)		mm	880 x 260 x 360	880 x 260 x 360	880 x 260 x 360
Casing	Material			HIPS	HIPS	HIPS

NOTE

- Specifications may be subject to change without prior notice.
- 1)* Capacities are based on (Equivalent refrigerant piping : 5m, Level differences : 0m)
 - Cooling : Indoor temperature : 27°C DB, 19°C WB / Outdoor temperature : 35°C DB, 24°C WB
 - Heating : Indoor temperature : 20°C DB, 15°C WB / Outdoor temperature : 7°C DB, 6°C WB
- 2)* Select wire size based on the value of MCA
- 3)* Sound pressure level is obtained in an anechoic room.
 - Sound pressure level is a relative value, depending on the distance and acoustic environment.
 - Sound pressure level may differ depending on operation condition.
 - dBA = A-weighted sound pressure level
 - Reference acoustic pressure 0 dB = 20uPa
- 4)* Sound power level is an absolute value that a sound source generates.
 - dBA = A-weighted sound power level
 - Reference power : 1pW
 - Measured according to ISO 3741
- 5)* These products contain R32 (GWP=675) which is fluorinated greenhouse gas.

2. Specification

2-2. Indoor units

Wall Mounted Type - Maldives

Type				Maldives	Maldives	Maldives
Model Name				AR07RXFPEWQNEU	AR09RXFPEWQNEU	AR12RXFPEWQNEU
Power Supply			Φ, #, V, Hz	1,2,220-240,50	1,2,220-240,50	1,2,220-240,50
Mode				HP	HP	HP
Performance	Capacity	Cooling	kW	2.0	2.75	3.5
			Btu/h	6,800	9,400	11,900
		Heating	kW	2.2	3.2	3.5
			Btu/h	7,500	10,900	11,900
Power	Power Input	Cooling	W	30	30	30
		Heating		30	30	30
	Current Input	Cooling	A	0.3	0.3	0.3
		Heating		0.3	0.3	0.3
Heat exchanger	Type		-	Fin & Tube	Fin & Tube	Fin & Tube
	Material	Fin	-	Al	Al	Al
		Tube	-	Cu	Cu	Cu
	Fin Treatment		-	Green Hydrophile	Green Hydrophile	Green Hydrophile
Fan	Type		-	Cross flow Fan	Cross flow Fan	Cross flow Fan
	Quantity		EA	1	1	1
	Air Flow Rate		m ³ /min	8.0	9.0	10.0
			l/s	133	150	167
	External Static pressure	Max. (Min/Std/Max)	mmAq	-	-	-
Pa			-	-	-	
Fan Motor	Type		-	BLDC Motor	BLDC Motor	BLDC Motor
	Output x n		W	27 x 1	27 x 1	27 x 1
Piping Connections	Liquid Pipe	Type		Flare connection	Flare connection	Flare connection
		Φ, mm (inch)		6.35 (1/4)	6.35 (1/4)	6.35 (1/4)
	Gas Pipe	Type		Flare connection	Flare connection	Flare connection
		Φ, mm (inch)		9.52 (3/8)	9.52 (3/8)	9.52 (3/8)
	Heat Insulation		-	Both liquid and gas pipes	Both liquid and gas pipes	Both liquid and gas pipes
Drain Pipe		Φ,mm	ID18mm Hose	ID18mm Hose	ID18mm Hose	
Wiring connections	Communication	Min.	mm ²	0.75	0.75	0.75
		Remark		F1, F2	F1, F2	F1, F2
Refrigerant	Type		-	R32 / R410A	R32 / R410A	R32 / R410A
	Electronic Expansion Valve		-	EEV NOT INCLUDED	EEV NOT INCLUDED	EEV NOT INCLUDED
Sound	Sound Pressure	H/M/L	dB(A)	38 / 28 / 21	38 / 28 / 21	42 / 33 / 23
	Sound Power	Cooling		56	56	59
Dimensions	Net Weight		kg	8.2	8.2	8.2
	Shipping Weight		kg	10.4	10.4	10.4
	Net Dimensions (WxHxD)		mm	820 x 285 x 215	820 x 285 x 215	820 x 285 x 215
	Shipping Dimensions (WxHxD)		mm	880 x 260 x 360	880 x 260 x 360	880 x 260 x 360
Casing	Material		-	HIPS	HIPS	HIPS

NOTE

- Specifications may be subject to change without prior notice.
- 1)* Capacities are based on (Equivalent refrigerant piping : 5m, Level differences : 0m)
 - Cooling : Indoor temperature : 27°C DB, 19°C WB / Outdoor temperature : 35°C DB, 24°C WB
 - Heating : Indoor temperature : 20°C DB, 15°C WB / Outdoor temperature : 7°C DB, 6°C WB
- 2)* Select wire size based on the value of MCA
- 3)* Sound pressure level is obtained in an anechoic room.
 - Sound pressure level is a relative value, depending on the distance and acoustic environment.
 - Sound pressure level may differ depending on operation condition.
 - dBA = A-weighted sound pressure level
 - Reference acoustic pressure 0 dB = 20uPa
- 4)* Sound power level is an absolute value that a sound source generates.
 - dBA = A-weighted sound power level
 - Reference power : 1pW
 - Measured according to ISO 3741
- 5)* These products contain R32 (GWP=675) which is fluorinated greenhouse gas.

2. Specification

2-2. Indoor units

Wall Mounted Type - Maldives

Type				Maldives	Maldives	
Model Name				AR18RXPFEWQNEU	AR24RXPFEWQNEU	
Power Supply			Φ, #, V, Hz	1,2,220-240,50	1,2,220-240,50	
Mode			-	HP	HP	
Performance	Capacity	Cooling	kW	5.0	6.5	
			Btu/h	17,000	22,200	
		Heating	kW	6.0	7.4	
			Btu/h	20,500	25,200	
Power	Power Input	Cooling	W	50	50	
		Heating	W	50	50	
	Current Input	Cooling	A	0.5	0.5	
		Heating	A	0.5	0.5	
Heat exchanger	Type	-	-	Fin & Tube	Fin & Tube	
	Material	Fin	-	Al	Al	
		Tube	-	-	Cu	Cu
Fin Treatment		-	-	Green Hydrophile	Green Hydrophile	
Fan	Type	-	-	Cross flow Fan	Cross flow Fan	
	Quantity	EA		1	1	
	Air Flow Rate	m ³ /min			16.1	18.3
		l/s			268	305
	External Static pressure	Max. (Min/Std/Max)	mmAq		-	-
Pa				-	-	
Fan Motor	Type	-	-	BLDC Motor	BLDC Motor	
	Output x n	W		27 x 1	27 x 1	
Piping Connections	Liquid Pipe	Type		Flare connection	Flare connection	
		Φ, mm (inch)		6.35 (1/4)	6.35 (1/4)	
	Gas Pipe	Type		Flare connection	Flare connection	
		Φ, mm (inch)		12.7 (1/2)	15.88 (5/8)	
Heat Insulation		-	-	Both liquid and gas pipes	Both liquid and gas pipes	
Drain Pipe		Φ,mm		ID18mm Hose	ID18mm Hose	
Wiring connections	Communication	Min.	mm ²	0.75	0.75	
		Remark	-	F1, F2	F1, F2	
Refrigerant	Type	-	-	R32 / R410A	R32 / R410A	
	Electronic Expansion Valve	-	-	EEV NOT INCLUDED	EEV NOT INCLUDED	
Sound	Sound Pressure	H/M/L		42 / 34 / 25	45 / 35 / 29	
	Sound Power	Cooling	dB(A)	58	63	
Dimensions	Net Weight		kg	11.6	11.6	
	Shipping Weight		kg	13.8	13.8	
	Net Dimensions (WxHxD)		mm	1,065 x 298 x 230	1,065 x 298 x 230	
	Shipping Dimensions (WxHxD)		mm	1,125 x 375 x 290	1,125 x 375 x 290	
Casing	Material		-	HIPS	HIPS	

NOTE

- Specifications may be subject to change without prior notice.
- 1)* Capacities are based on (Equivalent refrigerant piping : 5m, Level differences : 0m)
 - Cooling : Indoor temperature : 27°C DB, 19°C WB / Outdoor temperature : 35°C DB, 24°C WB
 - Heating : Indoor temperature : 20°C DB, 15°C WB / Outdoor temperature : 7°C DB, 6°C WB
- 2)* Select wire size based on the value of MCA
- 3)* Sound pressure level is obtained in an anechoic room.
 - Sound pressure level is a relative value, depending on the distance and acoustic environment.
 - Sound pressure level may differ depending on operation condition.
 - dBA = A-weighted sound pressure level
 - Reference acoustic pressure 0 dB = 20uPa
- 4)* Sound power level is an absolute value that a sound source generates.
 - dBA = A-weighted sound power level
 - Reference power : 1pW
 - Measured according to ISO 3741
- 5)* These products contain R32 (GWP=675) which is fluorinated greenhouse gas.

2. Specification

2-2. Indoor units

Wall Mounted Type - New Boracay

Type				New Boracay	New Boracay	New Boracay
Model Name				AR07NXFHBWKNEU	AR09NXFHBWKNEU	AR12NXFHBWKNEU
Power Supply			Φ, #, V, Hz	1, 2, 220~240, 50	1, 2, 220~240, 50	1, 2, 220~240, 50
Mode				HP	HP	HP
Performance	Capacity	Cooling	kW	2.0	2.75	3.5
			Btu/h	6,800	9,400	11,900
		Heating	kW	2.2	3.2	3.5
			Btu/h	7,500	10,900	11,900
Power	Power Input	Cooling	W	30	30	30
		Heating		30	30	30
	Current Input	Cooling	A	0.3	0.3	0.3
		Heating		0.3	0.3	0.3
Heat exchanger	Type		-	Fin & Tube	Fin & Tube	Fin & Tube
	Material	Fin	-	Al	Al	Al
		Tube	-	Cu	Cu	Cu
	Fin Treatment		-	Green Hydrophile	Green Hydrophile	Green Hydrophile
Fan	Type		-	Cross flow Fan	Cross flow Fan	Cross flow Fan
	Quantity		EA	1	1	1
	Air Flow Rate		m ³ /min	8.0	9.0	10.0
			l/s	133.3	150.0	166.7
	External Static pressure	Max. (Min/Std/Max)	mmAq	-	-	-
Pa			-	-	-	
Fan Motor	Type		-	BLDC Motor	BLDC Motor	BLDC Motor
	Output x n		W	27 x 1	27 x 1	27 x 1
Piping Connections	Liquid Pipe	Type		Flare connection	Flare connection	Flare connection
		Φ, mm (inch)		6.35 (1/4")	6.35 (1/4")	6.35 (1/4")
	Gas Pipe	Type		Flare connection	Flare connection	Flare connection
		Φ, mm (inch)		9.52 (3/8")	9.52 (3/8")	9.52 (3/8")
	Heat Insulation		-	Both Liquid & Gas pipes	Both Liquid & Gas pipes	Both Liquid & Gas pipes
Drain Pipe		Φ,mm	ID18mm Hose	ID18mm Hose	ID18mm Hose	
Wiring connections	Communication	Min.	mm ²	0.75	0.75	0.75
		Remark		F1, F2	F1, F2	F1, F2
Refrigerant	Type		-	R32	R32	R32
	Electronic Expansion Valve		-	EEV NOT INCLUDED	EEV NOT INCLUDED	EEV NOT INCLUDED
Sound	Sound Pressure	H/M/L	dB(A)	38 / 30 / 21	38 / 30 / 21	42 / 33 / 21
	Sound Power	Cooling		56	56	59
Dimensions	Net Weight		kg	8.2	8.2	8.2
	Shipping Weight		kg	10.2	10.2	10.2
	Net Dimensions (WxHxD)		mm	820 x 285 x 227	820 x 285 x 227	820 x 285 x 227
	Shipping Dimensions (WxHxD)		mm	880 x 280 x 363	880 x 280 x 363	880 x 280 x 363
Casing	Material		-	HIPS	HIPS	HIPS

NOTE

- Specifications may be subject to change without prior notice.
- 1)* Capacities are based on (Equivalent refrigerant piping : 5m, Level differences : 0m)
 - Cooling : Indoor temperature : 27°C DB, 19°C WB / Outdoor temperature : 35°C DB, 24°C WB
 - Heating : Indoor temperature : 20°C DB, 15°C WB / Outdoor temperature : 7°C DB, 6°C WB
- 2)* Select wire size based on the value of MCA
- 3)* Sound pressure level is obtained in an anechoic room.
 - Sound pressure level is a relative value, depending on the distance and acoustic environment.
 - Sound pressure level may differ depending on operation condition.
 - dBA = A-weighted sound pressure level
 - Reference acoustic pressure 0 dB = 20uPa
- 4)* Sound power level is an absolute value that a sound source generates.
 - dBA = A-weighted sound power level
 - Reference power : 1pW
 - Measured according to ISO 3741
- 5)* These products contain R32 (GWP=675) which is fluorinated greenhouse gas.

2. Specification

2-2. Indoor units

Wall Mounted Type - Boracay

Type				New Boracay	New Boracay
Model Name				AR18RXFHBWKNEU	AR24RXFHBWKNEU
Power Supply			Φ, #, V, Hz	1,2,220-240,50	1,2,220-240,50
Mode			-	HP	HP
Performance	Capacity	Cooling	kW	5.0	6.5
			Btu/h	17,000	22,200
		Heating	kW	6.0	7.4
			Btu/h	20,500	25,200
Power	Power Input	Cooling	W	50	50
		Heating	W	50	50
	Current Input	Cooling	A	0.5	0.5
		Heating	A	0.5	0.5
Heat exchanger	Type		-	Fin & Tube	Fin & Tube
	Material	Fin	-	Al	Al
		Tube	-	-	Cu
Fin Treatment			-	Green Hydrophile	Green Hydrophile
Fan	Type		-	Cross flow Fan	Cross flow Fan
	Quantity		EA	1	1
	Air Flow Rate		m ³ /min	16.1	18.3
			l/s	268	305
	External Static pressure	Max. (Min/Std/Max)	mmAq	-	-
Pa			-	-	
Fan Motor	Type		-	BLDC Motor	BLDC Motor
	Output x n		W	27 x 1	27 x 1
Piping Connections	Liquid Pipe	Type		Flare connection	Flare connection
		Φ, mm (inch)		6.35 (1/4)	6.35 (1/4)
	Gas Pipe	Type		Flare connection	Flare connection
		Φ, mm (inch)		12.7 (1/2)	15.88 (5/8)
Heat Insulation			-	Both liquid and gas pipes	Both liquid and gas pipes
Drain Pipe			Φ,mm	ID18mm Hose	ID18mm Hose
Wiring connections	Communication	Min.	mm ²	0.75	0.75
		Remark		F1, F2	F1, F2
Refrigerant	Type		-	R32 / R410A	R32 / R410A
	Electronic Expansion Valve		-	EEV NOT INCLUDED	EEV NOT INCLUDED
Sound	Sound Pressure	H/M/L		42 / 34 / 25	45 / 35 / 29
	Sound Power	Cooling	dB(A)	58	63
Dimensions	Net Weight		kg	11.6	11.6
	Shipping Weight		kg	13.8	13.8
	Net Dimensions (WxHxD)		mm	1,065 x 298 x 243	1,065 x 298 x 243
	Shipping Dimensions (WxHxD)		mm	1,128 x 299 x 378	1,128 x 299 x 378
Casing	Material		-	HIPS	HIPS

NOTE

- Specifications may be subject to change without prior notice.
- 1)* Capacities are based on (Equivalent refrigerant piping : 5m, Level differences : 0m)
 - Cooling : Indoor temperature : 27°C DB, 19°C WB / Outdoor temperature : 35°C DB, 24°C WB
 - Heating : Indoor temperature : 20°C DB, 15°C WB / Outdoor temperature : 7°C DB, 6°C WB
- 2)* Select wire size based on the value of MCA
- 3)* Sound pressure level is obtained in an anechoic room.
 - Sound pressure level is a relative value, depending on the distance and acoustic environment.
 - Sound pressure level may differ depending on operation condition.
 - dBA = A-weighted sound pressure level
 - Reference acoustic pressure 0 dB = 20uPa
- 4)* Sound power level is an absolute value that a sound source generates.
 - dBA = A-weighted sound power level
 - Reference power : 1pW
 - Measured according to ISO 3741
- 5)* These products contain R32 (GWP=675) which is fluorinated greenhouse gas.

2. Specification

2-2. Indoor units

Wall Mounted Type - Wind-Free (A3050)

Type				Wind-Free	Wind-Free	Wind-Free
Model Name				AR07NXWCWKNEU	AR09NXWCWKNEU	AR12NXWCWKNEU
Power Supply			Φ, #, V, Hz	1, 2, 220~240, 50	1, 2, 220~240, 50	1, 2, 220~240, 50
Mode			-	HP	HP	HP
Performance	Capacity	Cooling	kW	2.0	2.75	3.5
			Btu/h	6,800	9,400	11,900
		Heating	kW	2.2	3.2	3.5
			Btu/h	7,500	10,900	11,900
Power	Power Input	Cooling	W	30	30	30
		Heating		30	30	30
	Current Input	Cooling	A	0.3	0.3	0.3
		Heating		0.3	0.3	0.3
Heat exchanger	Type		-	Fin & Tube	Fin & Tube	Fin & Tube
	Material	Fin	-	Al	Al	Al
		Tube	-	Cu	Cu	Cu
	Fin Treatment		-	Green Hydrophile	Green Hydrophile	Green Hydrophile
Fan	Type		-	Cross flow Fan	Cross flow Fan	Cross flow Fan
	Quantity		EA	1	1	1
	Air Flow Rate		m ³ /min	9.3	9.3	10.8
			l/s	155.0	155.0	180.0
	External Static pressure	Max. (Min/Std/Max)	mmAq	-	-	-
Pa			-	-	-	
Fan Motor	Type		-	BLDC Motor	BLDC Motor	BLDC Motor
	Output x n		W	27 x 1	27 x 1	27 x 1
Piping Connections	Liquid Pipe		Type	Flare connection	Flare connection	Flare connection
			Φ, mm (inch)	6.35 (1/4")	6.35 (1/4")	6.35 (1/4")
	Gas Pipe		Type	Flare connection	Flare connection	Flare connection
			Φ, mm (inch)	9.52 (3/8")	9.52 (3/8")	9.52 (3/8")
Heat Insulation		-	Both Liquid & Gas pipes	Both Liquid & Gas pipes	Both Liquid & Gas pipes	
Drain Pipe		Φ,mm	ID18mm Hose	ID18mm Hose	ID18mm Hose	
Wiring connections	Communication	Min.	mm ²	0.75	0.75	0.75
		Remark	-	F1, F2	F1, F2	F1, F2
Refrigerant	Type		-	R32	R32	R32
	Electronic Expansion Valve		-	EEV NOT INCLUDED	EEV NOT INCLUDED	EEV NOT INCLUDED
Sound	Sound Pressure	H/M/L	dB(A)	37 / 30 / 22	37 / 30 / 22	38 / 31 / 22
	Sound Power	Cooling		56	56	58
Dimensions	Net Weight		kg	9.4	9.4	9.4
	Shipping Weight		kg	11.9	11.9	11.9
	Net Dimensions (WxHxD)		mm	828 x 267 x 265	828 x 267 x 265	828 x 267 x 265
	Shipping Dimensions (WxHxD)		mm	886 x 317 x 335	886 x 317 x 335	886 x 317 x 335
Casing	Material		-	HIPS	HIPS	HIPS

NOTE

- Specifications may be subject to change without prior notice.
- 1)* Capacities are based on (Equivalent refrigerant piping : 5m, Level differences : 0m)
 - Cooling : Indoor temperature : 27°C DB, 19°C WB / Outdoor temperature : 35°C DB, 24°C WB
 - Heating : Indoor temperature : 20°C DB, 15°C WB / Outdoor temperature : 7°C DB, 6°C WB
- 2)* Select wire size based on the value of MCA
- 3)* Sound pressure level is obtained in an anechoic room.
 - Sound pressure level is a relative value, depending on the distance and acoustic environment.
 - Sound pressure level may differ depending on operation condition.
 - dBA = A-weighted sound pressure level
 - Reference acoustic pressure 0 dB = 20uPa
- 4)* Sound power level is an absolute value that a sound source generates.
 - dBA = A-weighted sound power level
 - Reference power : 1pW
 - Measured according to ISO 3741
- 5)* These products contain R32 (GWP=675) which is fluorinated greenhouse gas.

2. Specification

2-2. Indoor units

Wall Mounted Type - Wind-Free (A3050)

Type				Wind-Free	Wind-Free	Wind-Free	
Model Name				AR07NXPXBWKNEU	AR09NXPXBWKNEU	AR12NXPXBWKNEU	
Power Supply			Φ, #, V, Hz	1, 2, 220~240, 50	1, 2, 220~240, 50	1, 2, 220~240, 50	
Mode			-	HP	HP	HP	
Performance	Capacity	Cooling	kW	2.0	2.50	3.5	
			Btu/h	6,800	8,500	11,900	
		Heating	kW	2.2	3.2	3.5	
			Btu/h	7,500	10,900	11,900	
Power	Power Input	Cooling	W	30	30	30	
		Heating		30	30	30	
	Current Input	Cooling	A	0.3	0.3	0.3	
		Heating		0.3	0.3	0.3	
Heat exchanger	Type			Fin & Tube	Fin & Tube	Fin & Tube	
	Material	Fin			Al	Al	Al
		Tube			Cu	Cu	Cu
Fin Treatment				Green Hydrophile	Green Hydrophile	Green Hydrophile	
Fan	Type			Cross flow Fan	Cross flow Fan	Cross flow Fan	
	Quantity	EA		1	1	1	
	Air Flow Rate	m ³ /min		9.3	9.3	10.0	
		l/s		155.0	155.0	166.7	
	External Static pressure	Max. (Min/Std/Max)	mmAq		-	-	-
Pa			-	-	-		
Fan Motor	Type			BLDC Motor	BLDC Motor	BLDC Motor	
	Output x n	W		27 x1	27 x1	27 x1	
Piping Connections	Liquid Pipe	Type		Flare connection	Flare connection	Flare connection	
		Φ, mm (inch)		6.35 (1/4")	6.35 (1/4")	6.35 (1/4")	
	Gas Pipe	Type		Flare connection	Flare connection	Flare connection	
		Φ, mm (inch)		9.52 (3/8")	9.52 (3/8")	9.52 (3/8")	
Heat Insulation				Both Liquid & Gas pipes	Both Liquid & Gas pipes	Both Liquid & Gas pipes	
Drain Pipe		Φ,mm		ID18mm Hose	ID18mm Hose	ID18mm Hose	
Wiring connections	Communication	Min.	mm ²	0.75	0.75	0.75	
		Remark			F1, F2	F1, F2	F1, F2
Refrigerant	Type			R32	R32	R32	
	Electronic Expansion Valve			EEV NOT INCLUDED	EEV NOT INCLUDED	EEV NOT INCLUDED	
Sound	Sound Pressure	H/M/L	dB(A)	37 / 30 / 22	37 / 30 / 22	38 / 31 / 22	
	Sound Power	Cooling		56	56	58	
Dimensions	Net Weight		kg	10.0	10.0	10.0	
	Shipping Weight		kg	12.0	12.0	12.0	
	Net Dimensions (WxHxD)		mm	828 x 267 x 265	828 x 267 x 265	828 x 267 x 265	
	Shipping Dimensions (WxHxD)		mm	886 x 317 x 335	886 x 317 x 335	886 x 317 x 335	
Casing	Material				HIPS	HIPS	

NOTE

- Specifications may be subject to change without prior notice.
- 1)* Capacities are based on (Equivalent refrigerant piping : 5m, Level differences : 0m)
 - Cooling : Indoor temperature : 27°C DB, 19°C WB / Outdoor temperature : 35°C DB, 24°C WB
 - Heating : Indoor temperature : 20°C DB, 15°C WB / Outdoor temperature : 7°C DB, 6°C WB
- 2)* Select wire size based on the value of MCA
- 3)* Sound pressure level is obtained in an anechoic room.
 - Sound pressure level is a relative value, depending on the distance and acoustic environment.
 - Sound pressure level may differ depending on operation condition.
 - dBA = A-weighted sound pressure level
 - Reference acoustic pressure 0 dB = 20uPa
- 4)* Sound power level is an absolute value that a sound source generates.
 - dBA = A-weighted sound power level
 - Reference power : 1pW
 - Measured according to ISO 3741
- 5)* These products contain R32 (GWP=675) which is fluorinated greenhouse gas.

2. Specification

2-2. Indoor units

Wall Mounted Type - Wind-Free (A3050)

Type				Wind-Free	Wind-Free	Wind-Free	
Model Name				AR07NXWBWKNEU	AR09NXWBWKNEU	AR12NXWBWKNEU	
Power Supply			Φ, #, V, Hz	1, 2, 220~240, 50	1, 2, 220~240, 50	1, 2, 220~240, 50	
Mode			-	HP	HP	HP	
Performance	Capacity	Cooling	kW	2.0	2.50	3.5	
			Btu/h	6,800	8,500	11,900	
		Heating	kW	2.2	3.2	3.5	
			Btu/h	7,500	10,900	11,900	
Power	Power Input	Cooling	W	30	30	30	
		Heating		30	30	30	
	Current Input	Cooling	A	0.3	0.3	0.3	
		Heating		0.3	0.3	0.3	
Heat exchanger	Type			Fin & Tube	Fin & Tube	Fin & Tube	
	Material	Fin			Al	Al	Al
		Tube			Cu	Cu	Cu
	Fin Treatment			Green Hydrophile	Green Hydrophile	Green Hydrophile	
Fan	Type			Cross flow Fan	Cross flow Fan	Cross flow Fan	
	Quantity	EA		1	1	1	
	Air Flow Rate	m ³ /min		9.3	9.3	10.0	
		l/s		155.0	155.0	166.7	
	External Static pressure	Max. (Min/Std/Max)	mmAq		-	-	-
Pa			-	-	-		
Fan Motor	Type			BLDC Motor	BLDC Motor	BLDC Motor	
	Output x n	W		27 x 1	27 x 1	27 x 1	
Piping Connections	Liquid Pipe	Type		Flare connection	Flare connection	Flare connection	
		Φ, mm (inch)		6.35 (1/4")	6.35 (1/4")	6.35 (1/4")	
	Gas Pipe	Type		Flare connection	Flare connection	Flare connection	
		Φ, mm (inch)		9.52 (3/8")	9.52 (3/8")	9.52 (3/8")	
	Heat Insulation			Both Liquid & Gas pipes	Both Liquid & Gas pipes	Both Liquid & Gas pipes	
Drain Pipe	Φ, mm		ID18mm Hose	ID18mm Hose	ID18mm Hose		
Wiring connections	Communication	Min.	mm ²	0.75	0.75	0.75	
		Remark	-	F1, F2	F1, F2	F1, F2	
Refrigerant	Type			R32	R32	R32	
	Electronic Expansion Valve			EEV NOT INCLUDED	EEV NOT INCLUDED	EEV NOT INCLUDED	
Sound	Sound Pressure	H/M/L	dB(A)	37 / 30 / 22	37 / 30 / 22	38 / 31 / 22	
	Sound Power	Cooling		56	56	58	
Dimensions	Net Weight		kg	9.4	9.4	9.4	
	Shipping Weight		kg	11.9	11.9	11.9	
	Net Dimensions (WxHxD)		mm	828 x 267 x 265	828 x 267 x 265	828 x 267 x 265	
	Shipping Dimensions (WxHxD)		mm	886 x 317 x 335	886 x 317 x 335	886 x 317 x 335	
Casing	Material		-	HIPS	HIPS	HIPS	

NOTE

- Specifications may be subject to change without prior notice.
- 1)* Capacities are based on (Equivalent refrigerant piping : 5m, Level differences : 0m)
 - Cooling : Indoor temperature : 27°C DB, 19°C WB / Outdoor temperature : 35°C DB, 24°C WB
 - Heating : Indoor temperature : 20°C DB, 15°C WB / Outdoor temperature : 7°C DB, 6°C WB
- 2)* Select wire size based on the value of MCA
- 3)* Sound pressure level is obtained in an anechoic room.
 - Sound pressure level is a relative value, depending on the distance and acoustic environment.
 - Sound pressure level may differ depending on operation condition.
 - dBA = A-weighted sound pressure level
 - Reference acoustic pressure 0 dB = 20uPa
- 4)* Sound power level is an absolute value that a sound source generates.
 - dBA = A-weighted sound power level
 - Reference power : 1pW
 - Measured according to ISO 3741
- 5)* These products contain R32 (GWP=675) which is fluorinated greenhouse gas.

2. Specification

2-2. Indoor units

Wall Mounted Type - Wind-Free (A3050)

Type				Wind-Free	Wind-Free	Wind-Free	
Model Name				AR07NXCXAWKNEU	AR09NXCXAWKNEU	AR12NXCXAWKNEU	
Power Supply			Φ, #, V, Hz	1, 2, 220~240, 50	1, 2, 220~240, 50	1, 2, 220~240, 50	
Mode			-	HP	HP	HP	
Performance	Capacity	Cooling	kW	2.0	2.50	3.5	
			Btu/h	6,800	8,500	11,900	
		Heating	kW	2.2	3.2	4.0	
			Btu/h	7,500	10,900	13,600	
Power	Power Input	Cooling	W	30	30	30	
		Heating		30	30	30	
	Current Input	Cooling	A	0.3	0.3	0.3	
		Heating		0.3	0.3	0.3	
Heat exchanger	Type			Fin & Tube	Fin & Tube	Fin & Tube	
	Material	Fin			Al	Al	Al
		Tube			Cu	Cu	Cu
Fin Treatment				Green Hydrophile	Green Hydrophile	Green Hydrophile	
Fan	Type			Cross flow Fan	Cross flow Fan	Cross flow Fan	
	Quantity	EA		1	1	1	
	Air Flow Rate	m ³ /min		9.3	9.9	10.6	
		l/s		155.0	165.0	176.7	
	External Static pressure	Max. (Min/Std/Max)	mmAq		-	-	-
Pa			-	-	-		
Fan Motor	Type			BLDC Motor	BLDC Motor	BLDC Motor	
	Output x n	W		27 x1	27 x1	27 x1	
Piping Connections	Liquid Pipe	Type		Flare connection	Flare connection	Flare connection	
		Φ, mm (inch)		6.35 (1/4")	6.35 (1/4")	6.35 (1/4")	
	Gas Pipe	Type		Flare connection	Flare connection	Flare connection	
		Φ, mm (inch)		9.52 (3/8")	9.52 (3/8")	9.52 (3/8")	
Heat Insulation				Both Liquid & Gas pipes	Both Liquid & Gas pipes	Both Liquid & Gas pipes	
Drain Pipe		Φ,mm		ID18mm Hose	ID18mm Hose	ID18mm Hose	
Wiring connections	Communication	Min.	mm ²	0.75	0.75	0.75	
		Remark	-	F1, F2	F1, F2	F1, F2	
Refrigerant	Type			R32	R32	R32	
	Electronic Expansion Valve			EEV NOT INCLUDED	EEV NOT INCLUDED	EEV NOT INCLUDED	
Sound	Sound Pressure	H/M/L	dB(A)	37 / 30 / 22	37 / 30 / 22	38 / 31 / 22	
	Sound Power	Cooling		56	56	58	
Dimensions	Net Weight		kg	11.3	11.3	11.3	
	Shipping Weight		kg	13.9	13.9	13.9	
	Net Dimensions (WxHxD)		mm	828 x 295 x 265	828 x 295 x 265	828 x 295 x 265	
	Shipping Dimensions (WxHxD)		mm	886 x 317 x 335	886 x 317 x 335	886 x 317 x 335	
Casing	Material		-	HIPS	HIPS	HIPS	

NOTE

- Specifications may be subject to change without prior notice.
- 1)* Capacities are based on (Equivalent refrigerant piping : 5m, Level differences : 0m)
 - Cooling : Indoor temperature : 27°C DB, 19°C WB / Outdoor temperature : 35°C DB, 24°C WB
 - Heating : Indoor temperature : 20°C DB, 15°C WB / Outdoor temperature : 7°C DB, 6°C WB
- 2)* Select wire size based on the value of MCA
- 3)* Sound pressure level is obtained in an anechoic room.
 - Sound pressure level is a relative value, depending on the distance and acoustic environment.
 - Sound pressure level may differ depending on operation condition.
 - dBA = A-weighted sound pressure level
 - Reference acoustic pressure 0 dB = 20uPa
- 4)* Sound power level is an absolute value that a sound source generates.
 - dBA = A-weighted sound power level
 - Reference power : 1pW
 - Measured according to ISO 3741
- 5)* These products contain R32 (GWP=675) which is fluorinated greenhouse gas.

2. Specification

2-2. Indoor units

Wall Mounted Type - Wind-Free

Type				Wind-Free	Wind-Free	Wind-Free	
Model Name				AR07RXPXBWKNEU	AR09RXPXBWKNEU	AR12RXPXBWKNEU	
Power Supply			Φ, #, V, Hz	1,2,220-240,50	1,2,220-240,50	1,2,220-240,50	
Mode				HP	HP	HP	
Performance	Capacity	Cooling	kW	2.0	2.5	3.5	
			Btu/h	6,800	8,500	11,900	
		Heating	kW	2.2	3.2	3.5	
			Btu/h	7,500	10,900	11,900	
Power	Power Input	Cooling	W	30	30	30	
		Heating		30	30	30	
	Current Input	Cooling	A	0.3	0.3	0.3	
		Heating		0.3	0.3	0.3	
Heat exchanger	Type		-	Fin & Tube	Fin & Tube	Fin & Tube	
	Material	Fin	-	Al	Al	Al	
		Tube	-	Cu	Cu	Cu	
	Fin Treatment		-	Green Hydrophile	Green Hydrophile	Green Hydrophile	
Fan	Type		-	Cross flow Fan	Cross flow Fan	Cross flow Fan	
	Quantity		EA	1	1	1	
	Air Flow Rate		m ³ /min	9.3	9.3	10.0	
			l/s	155.0	155.0	166.7	
	External Static pressure	Max. (Min/Std/Max)	mmAq	-	-	-	
Pa			-	-	-		
Fan Motor	Type		-	BLDC Motor	BLDC Motor	BLDC Motor	
	Output x n		W	27 x 1	27 x 1	27 x 1	
Piping Connections	Liquid Pipe	Type		Flare connection	Flare connection	Flare connection	
		Φ, mm (inch)		6.35 (1/4)	6.35 (1/4)	6.35 (1/4)	
	Gas Pipe	Type		Flare connection	Flare connection	Flare connection	
		Φ, mm (inch)		9.52 (3/8)	9.52 (3/8)	9.52 (3/8)	
Heat Insulation		-	Both liquid and gas pipes	Both liquid and gas pipes	Both liquid and gas pipes		
Wiring connections	Communication	Min.	mm ²	0.75	0.75	0.75	
		Remark		-	F1, F2	F1, F2	F1, F2
				-	F1, F2	F1, F2	F1, F2
Refrigerant	Type		-	R32 / R410A	R32 / R410A	R32 / R410A	
	Electronic Expansion Valve		-	EEV NOT INCLUDED	EEV NOT INCLUDED	EEV NOT INCLUDED	
Sound	Sound Pressure	H/M/L	dB(A)	37 / 30 / 22	37 / 30 / 22	38 / 31 / 22	
	Sound Power	Cooling		56	56	58	
Dimensions	Net Weight		kg	9.4	9.4	9.4	
	Shipping Weight		kg	11.9	11.9	11.9	
	Net Dimensions (WxHxD)		mm	828 x 267 x 265	828 x 267 x 265	828 x 267 x 265	
	Shipping Dimensions (WxHxD)		mm	886 x 317 x 335	886 x 317 x 335	886 x 317 x 335	
Casing	Material		-	HIPS	HIPS	HIPS	

NOTE

- Specifications may be subject to change without prior notice.
- 1)* Capacities are based on (Equivalent refrigerant piping : 5m, Level differences : 0m)
 - Cooling : Indoor temperature : 27°C DB, 19°C WB / Outdoor temperature : 35°C DB, 24°C WB
 - Heating : Indoor temperature : 20°C DB, 15°C WB / Outdoor temperature : 7°C DB, 6°C WB
- 2)* Select wire size based on the value of MCA
- 3)* Sound pressure level is obtained in an anechoic room.
 - Sound pressure level is a relative value, depending on the distance and acoustic environment.
 - Sound pressure level may differ depending on operation condition.
 - dBA = A-weighted sound pressure level
 - Reference acoustic pressure 0 dB = 20uPa
- 4)* Sound power level is an absolute value that a sound source generates.
 - dBA = A-weighted sound power level
 - Reference power : 1pW
 - Measured according to ISO 3741
- 5)* These products contain R32 (GWP=675) which is fluorinated greenhouse gas.

2. Specification

2-2. Indoor units

Wall Mounted Type - Wind-Free

Type				Wind-Free	Wind-Free	
Model Name				AR18RXPXBWKNEU	AR24RXPXBWKNEU	
Power Supply		Φ, #, V, Hz		1,2,220-240,50	1,2,220-240,50	
Mode				HP	HP	
Performance	Capacity	Cooling	kW	5.0	6.5	
			Btu/h	17,100	22,200	
		Heating	kW	6.0	7.4	
			Btu/h	20,500	25,300	
Power	Power Input	Cooling	W	50	50	
		Heating	W	50	50	
	Current Input	Cooling	A	0.5	0.5	
		Heating	A	0.5	0.5	
Heat exchanger	Type		-	Fin & Tube	Fin & Tube	
	Material	Fin	-	Al	Al	
		Tube	-	-	Cu	Cu
Fin Treatment			-	Green Hydrophile	Green Hydrophile	
Fan	Type		-	Cross flow Fan	Cross flow Fan	
	Quantity		EA	1	1	
	Air Flow Rate		m ³ /min		15.9	17.6
			l/s		265.0	293.3
	External Static pressure	Max. (Min/Std/Max)	mmAq		-	-
Pa				-	-	
Fan Motor	Type		-	BLDC Motor	BLDC Motor	
	Output x n		W	27 x 1	27 x 1	
Piping Connections	Liquid Pipe	Type		Flare connection	Flare connection	
		Φ, mm (inch)		6.35 (1/4)	6.35 (1/4)	
	Gas Pipe	Type		Flare connection	Flare connection	
		Φ, mm (inch)		12.7 (1/2)	15.88 (5/8)	
Heat Insulation			-	Both liquid and gas pipes	Both liquid and gas pipes	
Drain Pipe			Φ,mm	ID18mm Hose	ID18mm Hose	
Wiring connections	Communication	Min.	mm ²	0.75	0.75	
		Remark		-	F1, F2	F1, F2
Refrigerant	Type		-	R32 / R410A	R32 / R410A	
	Electronic Expansion Valve		-	EEV NOT INCLUDED	EEV NOT INCLUDED	
Sound	Sound Pressure	H/M/L		41 / 33 / 25	45 / 35 / 26	
	Sound Power	Cooling	dB(A)	58	62	
Dimensions	Net Weight		kg	13.2	13.4	
	Shipping Weight		kg	16.3	16.5	
	Net Dimensions (WxHxD)		mm	1,065 x 301 x 311	1,065 x 301 x 311	
	Shipping Dimensions (WxHxD)		mm	1,130 x 374 x 384	1,130 x 374 x 384	
Casing	Material			HIPS	HIPS	

NOTE

- Specifications may be subject to change without prior notice.
- 1)* Capacities are based on (Equivalent refrigerant piping : 5m, Level differences : 0m)
 - Cooling : Indoor temperature : 27°C DB, 19°C WB / Outdoor temperature : 35°C DB, 24°C WB
 - Heating : Indoor temperature : 20°C DB, 15°C WB / Outdoor temperature : 7°C DB, 6°C WB
- 2)* Select wire size based on the value of MCA
- 3)* Sound pressure level is obtained in an anechoic room.
 - Sound pressure level is a relative value, depending on the distance and acoustic environment.
 - Sound pressure level may differ depending on operation condition.
 - dBA = A-weighted sound pressure level
 - Reference acoustic pressure 0 dB = 20uPa
- 4)* Sound power level is an absolute value that a sound source generates.
 - dBA = A-weighted sound power level
 - Reference power : 1pW
 - Measured according to ISO 3741
- 5)* These products contain R32 (GWP=675) which is fluorinated greenhouse gas.

2. Specification

2-2. Indoor units

Wall Mounted Type - Wind-Free

Type				Wind-Free	Wind-Free	Wind-Free
Model Name				AR07RXWCWKNEU	AR09RXWCWKNEU	AR12RXWCWKNEU
Power Supply			Φ, #, V, Hz	1,2,220-240,50	1,2,220-240,50	1,2,220-240,50
Mode				HP	HP	HP
Performance	Capacity	Cooling	kW	2.0	2.75	3.5
			Btu/h	6,800	9,400	11,900
		Heating	kW	2.2	3.2	3.5
			Btu/h	7,500	10,900	11,900
Power	Power Input	Cooling	W	30	30	30
		Heating		30	30	30
	Current Input	Cooling	A	0.3	0.3	0.3
		Heating		0.3	0.3	0.3
Heat exchanger	Type		-	Fin & Tube	Fin & Tube	Fin & Tube
	Material	Fin	-	Al	Al	Al
		Tube	-	Cu	Cu	Cu
	Fin Treatment		-	Green Hydrophile	Green Hydrophile	Green Hydrophile
Fan	Type		-	Cross flow Fan	Cross flow Fan	Cross flow Fan
	Quantity		EA	1	1	1
	Air Flow Rate		m ³ /min	9.3	9.3	10.8
			l/s	155.0	155.0	180.0
	External Static pressure	Max. (Min/Std/Max)	mmAq	-	-	-
Pa			-	-	-	
Fan Motor	Type		-	BLDC Motor	BLDC Motor	BLDC Motor
	Output x n		W	27 x 1	27 x 1	27 x 1
Piping Connections	Liquid Pipe	Type		Flare connection	Flare connection	Flare connection
		Φ, mm (inch)		6.35 (1/4)	6.35 (1/4)	6.35 (1/4)
	Gas Pipe	Type		Flare connection	Flare connection	Flare connection
		Φ, mm (inch)		9.52 (3/8)	9.52 (3/8)	9.52 (3/8)
	Heat Insulation		-	Both liquid and gas pipes	Both liquid and gas pipes	Both liquid and gas pipes
Drain Pipe		Φ,mm	ID18mm Hose	ID18mm Hose	ID18mm Hose	
Wiring connections	Communication	Min.	mm ²	0.75	0.75	0.75
		Remark		F1, F2	F1, F2	F1, F2
Refrigerant	Type		-	R32 / R410A	R32 / R410A	R32 / R410A
	Electronic Expansion Valve		-	EEV NOT INCLUDED	EEV NOT INCLUDED	EEV NOT INCLUDED
Sound	Sound Pressure	H/M/L	dB(A)	37 / 30 / 22	37 / 30 / 22	38 / 31 / 22
	Sound Power	Cooling		56	56	58
Dimensions	Net Weight		kg	9.4	9.4	9.4
	Shipping Weight		kg	11.9	11.9	11.9
	Net Dimensions (WxHxD)		mm	828 x 267 x 265	828 x 267 x 265	828 x 267 x 265
	Shipping Dimensions (WxHxD)		mm	886 x 317 x 335	886 x 317 x 335	886 x 317 x 335
Casing	Material		-	HIPS	HIPS	HIPS

NOTE

- Specifications may be subject to change without prior notice.
- 1)* Capacities are based on (Equivalent refrigerant piping : 5m, Level differences : 0m)
 - Cooling : Indoor temperature : 27°C DB, 19°C WB / Outdoor temperature : 35°C DB, 24°C WB
 - Heating : Indoor temperature : 20°C DB, 15°C WB / Outdoor temperature : 7°C DB, 6°C WB
- 2)* Select wire size based on the value of MCA
- 3)* Sound pressure level is obtained in an anechoic room.
 - Sound pressure level is a relative value, depending on the distance and acoustic environment.
 - Sound pressure level may differ depending on operation condition.
 - dBA = A-weighted sound pressure level
 - Reference acoustic pressure 0 dB = 20uPa
- 4)* Sound power level is an absolute value that a sound source generates.
 - dBA = A-weighted sound power level
 - Reference power : 1pW
 - Measured according to ISO 3741
- 5)* These products contain R32 (GWP=675) which is fluorinated greenhouse gas.

2. Specification

2-2. Indoor units

Wall Mounted Type - Wind-Free

Type				Wind-Free	Wind-Free	
Model Name				AR18RXWCWKNEU	AR24RXWCWKNEU	
Power Supply			Φ, #, V, Hz	1,2,220-240,50	1,2,220-240,50	
Mode			-	HP	HP	
Performance	Capacity	Cooling	kW	5.0	6.5	
			Btu/h	17,100	22,200	
		Heating	kW	6.0	7.4	
			Btu/h	20,500	25,300	
Power	Power Input	Cooling	W	50	50	
		Heating	W	50	50	
	Current Input	Cooling	A	0.5	0.5	
		Heating	A	0.5	0.5	
Heat exchanger	Type	-	-	Fin & Tube	Fin & Tube	
	Material	Fin	-	Al	Al	
		Tube	-	-	Cu	Cu
Fin Treatment		-	-	Green Hydrophile	Green Hydrophile	
Fan	Type	-	-	Cross flow Fan	Cross flow Fan	
	Quantity	EA		1	1	
	Air Flow Rate	m ³ /min			15.9	17.6
		l/s			265.0	293.3
	External Static pressure	Max. (Min/Std/Max)	mmAq		-	-
Pa				-	-	
Fan Motor	Type	-	-	BLDC Motor	BLDC Motor	
	Output x n	W		27 x 1	27 x 1	
Piping Connections	Liquid Pipe	Type		Flare connection	Flare connection	
		Φ, mm (inch)		6.35 (1/4)	6.35 (1/4)	
	Gas Pipe	Type		Flare connection	Flare connection	
		Φ, mm (inch)		12.7 (1/2)	15.88 (5/8)	
Heat Insulation		-	-	Both liquid and gas pipes	Both liquid and gas pipes	
Drain Pipe		Φ,mm		ID18mm Hose	ID18mm Hose	
Wiring connections	Communication	Min.	mm ²	0.75	0.75	
		Remark	-	F1, F2	F1, F2	
Refrigerant	Type	-	-	R32 / R410A	R32 / R410A	
	Electronic Expansion Valve	-	-	EEV NOT INCLUDED	EEV NOT INCLUDED	
Sound	Sound Pressure	H/M/L		41 / 33 / 25	45 / 35 / 26	
	Sound Power	Cooling	dB(A)	58	62	
Dimensions	Net Weight		kg	13.2	13.4	
	Shipping Weight		kg	16.3	16.5	
	Net Dimensions (WxHxD)		mm	1,065 x 301 x 311	1,065 x 301 x 311	
	Shipping Dimensions (WxHxD)		mm	1,130 x 374 x 384	1,130 x 374 x 384	
Casing	Material		-	HIPS	HIPS	

NOTE

- Specifications may be subject to change without prior notice.
- 1)* Capacities are based on (Equivalent refrigerant piping : 5m, Level differences : 0m)
 - Cooling : Indoor temperature : 27°C DB, 19°C WB / Outdoor temperature : 35°C DB, 24°C WB
 - Heating : Indoor temperature : 20°C DB, 15°C WB / Outdoor temperature : 7°C DB, 6°C WB
- 2)* Select wire size based on the value of MCA
- 3)* Sound pressure level is obtained in an anechoic room.
 - Sound pressure level is a relative value, depending on the distance and acoustic environment.
 - Sound pressure level may differ depending on operation condition.
 - dBA = A-weighted sound pressure level
 - Reference acoustic pressure 0 dB = 20uPa
- 4)* Sound power level is an absolute value that a sound source generates.
 - dBA = A-weighted sound power level
 - Reference power : 1pW
 - Measured according to ISO 3741
- 5)* These products contain R32 (GWP=675) which is fluorinated greenhouse gas.

2. Specification

2-2. Indoor units

Wind-Free 1 Way Cassette

Type				(Wind-Free) 1 Way Cassette	(Wind-Free) 1 Way Cassette
Model Name				AJ026RB1DEG/EU	AJ035RB1DEG/EU
Power Supply		Φ, #, V, Hz		1, 2, 220~240, 50	1, 2, 220~240, 50
Mode			-	HP	HP
Performance	Capacity	Cooling	kW	2.6	3.5
			Btu/h	8,900	11,900
		Heating	kW	2.9	3.8
			Btu/h	9,900	13,000
Power	Power Input	Cooling	W	45	50
		Heating		45	50
	Current Input	Cooling	A	0.23	0.25
		Heating		0.23	0.25
Heat exchanger	Type		-	Fin & Tube	Fin & Tube
	Material	Fin	-	Al	Al
		Tube	-	Cu	Cu
	Fin Treatment		-	Green Hydrophile	Green Hydrophile
Fan	Type		-	Crossflow Fan	Crossflow Fan
	Quantity		EA	1	1
	Air Flow Rate		m ³ /min	6.2 / 5.2 / 4.2	7.6 / 6.6 / 5.6
			l/s	103.33 / 86.67 / 70.00	126.67 / 110.00 / 93.33
	External Static Pressure	Max. (Min/Std/Max)	mmAq	-	-
Pa			-	-	
Fan Motor	Type		-	AC Motor	AC Motor
	Output x n		W	17 x 1	17 x 1
Piping Connections	Liquid Pipe		Type	Flare connection	Flare connection
			Φ, mm (inch)	6.35 (1/4)	6.35 (1/4)
	Gas Pipe		Type	Flare connection	Flare connection
			Φ, mm (inch)	9.52 (3/8)	9.52 (3/8)
	Heat insulation		-	Both liquid and gas pipes	Both liquid and gas pipes
Drain Pipe		Φ,mm	VP20 (OD 26, ID 20)	VP20 (OD 26, ID 20)	
Wiring connections	Communication	Min.	mm ²	0.75	0.75
		Remark	-	F1, F2	F1, F2
Refrigerant	Type		-	R32 / R410A	R32 / R410A
	Electronic Expansion Valve		-	EEV NOT INCLUDED	EEV NOT INCLUDED
Sound	Sound Pressure	H/M/L	dB(A)	32 / 29 / 26	37 / 33 / 30
	Sound Power	Cooling		50	55
External Dimension	Net Weight		kg	10.0	10.0
	Shipping Weight		kg	12.5	12.5
	Net Dimensions (WxHxD)		mm	970 x 135 x 410	970 x 135 x 410
	Shipping Dimensions (WxHxD)		mm	1,173 x 231 x 487	1,173 x 231 x 487
Casing	Material		-	ABS	ABS

2. Specification

Type			(Wind-Free) 1 Way Cassette	(Wind-Free) 1 Way Cassette
Model Name			AJ026RB1DEG/EU	AJ035RB1DEG/EU
Panel 1	Model Name	-	PC1NWFMAN	PC1NWFMAN
	Type	-	Wind-Free	Wind-Free
	Material	-	HIPS	HIPS
	Color	-	White	White
	Net Weight	kg	4.3	4.3
	Shipping Weight	kg	6.3	6.3
	Net Dimensions (W×H×D)	mm	1,198 x 35 x 500	1,198 x 35 x 500
	Shipping Dimensions (W×H×D)	mm	1,262 x 122 x 566	1,262 x 122 x 566
Panel 2	Model Name	-	PC1NUSMAN	PC1NUSMAN
	Type	-	Normal	Normal
	Material	-	HIPS	HIPS
	Color	-	White	White
	Net Weight	kg	4.2	4.2
	Shipping Weight	kg	6.1	6.1
	Net Dimensions (W×H×D)	mm	1,180 x 25 x 460	1,180 x 25 x 460
	Shipping Dimensions (W×H×D)	mm	1,250 x 126 x 530	1,250 x 126 x 530
Drain pump	Drain pump	-	INCLUDED	INCLUDED
	Max. lifting Height / Displacement	mm / liter/h	750 / 24	750 / 24
Additional Accessories	Drain pump	External Model	-	-
		Internal Model	-	-
		Max. lifting Height / Displacement	mm / liter/h	-
	Air Filter	-	Option (Removable / Washable)	Option (Removable / Washable)

NOTE

- Specifications may be subject to change without prior notice.
- 1)* Capacities are based on (Equivalent refrigerant piping : 5m, Level differences : 0m)
 - Cooling : Indoor temperature : 27°C DB, 19°C WB / Outdoor temperature : 35°C DB, 24°C WB
 - Heating : Indoor temperature : 20°C DB, 15°C WB / Outdoor temperature : 7°C DB, 6°C WB
- 2)* Select wire size based on the value of MCA
- 3)* Sound pressure level is obtained in an anechoic room.
 - Sound pressure level is a relative value, depending on the distance and acoustic environment.
 - Sound pressure level may differ depending on operation condition.
 - dBA = A-weighted sound pressure level
 - Reference acoustic pressure 0 dB = 20uPa
- 4)* Sound power level is an absolute value that a sound source generates.
 - dBA = A-weighted sound power level
 - Reference power : 1pW
 - Measured according to ISO 3741
- 5)* These products contain R32 (GWP=675) which is fluorinated greenhouse gas.

2. Specification

2-2. Indoor units

Wind-Free 4Way CASSETTE (600x600)

Type				(Wind-Free) 4Way Cassette (600x600)	(Wind-Free) 4Way Cassette (600x600)	(Wind-Free) 4Way Cassette (600x600)
Model Name				AJ016RBNDEG/EU	AJ020RBNDEG/EU	AJ026RBNDEG/EU
Power Supply		Φ, #, V, Hz		1, 2, 220~240, 50	1, 2, 220~240, 50	1, 2, 220~240, 50
Mode			-	HP	HP	HP
Performance	Capacity	Cooling	kW	1.6	2.0	2.6
			Btu/h	5,500	6,800	8,900
		Heating	kW	2.0	2.2	2.9
			Btu/h	6,800	7,500	9,900
Power	Power Input	Cooling	W	19	19	19
		Heating		19	19	19
	Current Input	Cooling	A	0.51	0.51	0.51
		Heating		0.51	0.51	0.51
Heat exchanger	Type		-	Fin & Tube	Fin & Tube	Fin & Tube
	Material	Fin	-	Al	Al	Al
		Tube	-	Cu	Cu	Cu
	Fin Treatment		-	Green Hydrophile	Green Hydrophile	Green Hydrophile
Fan	Type		-	Turbo Fan	Turbo Fan	Turbo Fan
	Quantity		EA	1	1	1
	Air Flow Rate		m ³ /min	9.0 / 8.2 / 6.9	9.0 / 8.2 / 6.9	9.0 / 8.2 / 6.9
			l/s	150.00 / 136.67 / 115.00	150.00 / 136.67 / 115.00	150.00 / 136.67 / 115.00
	External Static Pressure	Max. (Min/Std/Max)	mmAq	-	-	-
Pa			-	-	-	
Fan Motor	Type		-	BLDC Motor	BLDC Motor	BLDC Motor
	Output x n		W	65 x 1	65 x 1	65 x 1
Piping Connections	Liquid Pipe		Type	Flare connection	Flare connection	Flare connection
			Φ, mm (inch)	6.35 (1/4)	6.35 (1/4)	6.35 (1/4)
	Gas Pipe		Type	Flare connection	Flare connection	Flare connection
			Φ, mm (inch)	9.52 (3/8)	9.52 (3/8)	9.52 (3/8)
	Heat insulation		-	Both liquid and gas pipes	Both liquid and gas pipes	Both liquid and gas pipes
Drain Pipe		Φ,mm	VP25 (OD 32,ID 25)	VP25 (OD 32,ID 25)	VP25 (OD 32,ID 25)	
Wiring connections	Communication	Min.	mm ²	0.75	0.75	0.75
		Remark	-	F1, F2	F1, F2	F1, F2
Refrigerant	Type		-	R32 / R410A	R32 / R410A	R32 / R410A
	Electronic Expansion Valve		-	EEV NOT INCLUDED	EEV NOT INCLUDED	EEV NOT INCLUDED
Sound	Sound Pressure	H/M/L	dB(A)	33 / 29 / 24	33 / 29 / 24	33 / 29 / 24
	Sound Power	Cooling		49	49	49
External Dimension	Net Weight		kg	11.5	11.5	11.5
	Shipping Weight		kg	13.5	13.5	13.5
	Net Dimensions (WxHxD)		mm	575 x 250 x 575	575 x 250 x 575	575 x 250 x 575
	Shipping Dimensions (WxHxD)		mm	623 x 298 x 653	623 x 298 x 653	623 x 298 x 653
Casing	Material		-	Polypropylene	Polypropylene	Polypropylene

2. Specification

Type			(Wind-Free) 4Way Cassette (600x600)	(Wind-Free) 4Way Cassette (600x600)	(Wind-Free) 4Way Cassette (600x600)
Model Name			AJ016RBNDEG/EU	AJ020RBNDEG/EU	AJ026RBNDEG/EU
Panel 1	Model Name	-	PC4SUFMAN	PC4SUFMAN	PC4SUFMAN
	Type	-	Wind-Free	Wind-Free	Wind-Free
	Material	-	HIPS	HIPS	HIPS
	Color	-	DA White	DA White	DA White
	Net Weight	kg	2.7	2.7	2.7
	Shipping Weight	kg	3.9	3.9	3.9
	Net Dimensions (W×H×D)	mm	620 x 57 x 620	620 x 57 x 620	620 x 57 x 620
	Shipping Dimensions (W×H×D)	mm	670 x 120 x 655	670 x 120 x 655	670 x 120 x 655
Panel 2	Model Name	-	PC4SUSMFN	PC4SUSMFN	PC4SUSMFN
	Type	-	Normal (Waffle Type)	Normal (Waffle Type)	Normal (Waffle Type)
	Material	-	HIPS	HIPS	HIPS
	Color	-	White	White	White
	Net Weight	kg	2.7	2.7	2.7
	Shipping Weight	kg	3.5	3.5	3.5
	Net Dimensions (W×H×D)	mm	620 x 45 x 620	620 x 45 x 620	620 x 45 x 620
	Shipping Dimensions (W×H×D)	mm	667 x 102 x 655	667 x 102 x 655	667 x 102 x 655
Drain pump	Drain pump	-	Included	Included	Included
	Max. lifting Height / Displacement	mm / liter/h	750 / 24	750 / 24	750 / 24
Additional Accessories	Drain pump	External Model	-	-	-
		Internal Model	-	-	-
		Max. lifting Height / Displacement	mm / liter/h	-	-
	Air Filter	-	Option (Removable / Washable)	Option (Removable / Washable)	Option (Removable / Washable)

NOTE

- Specifications may be subject to change without prior notice.
- 1)* Capacities are based on (Equivalent refrigerant piping : 5m, Level differences : 0m)
 - Cooling : Indoor temperature : 27°C DB, 19°C WB / Outdoor temperature : 35°C DB, 24°C WB
 - Heating : Indoor temperature : 20°C DB, 15°C WB / Outdoor temperature : 7°C DB, 6°C WB
- 2)* Select wire size based on the value of MCA
- 3)* Sound pressure level is obtained in an anechoic room.
 - Sound pressure level is a relative value, depending on the distance and acoustic environment.
 - Sound pressure level may differ depending on operation condition.
 - dBA = A-weighted sound pressure level
 - Reference acoustic pressure 0 dB = 20uPa
- 4)* Sound power level is an absolute value that a sound source generates.
 - dBA = A-weighted sound power level
 - Reference power : 1pW
 - Measured according to ISO 3741
- 5)* These products contain R32 (GWP=675) which is fluorinated greenhouse gas.

2. Specification

2-2. Indoor units

Wind-Free 4Way CASSETTE (600x600)

Type				(Wind-Free) 4Way Cassette (600x600)	(Wind-Free) 4Way Cassette (600x600)
Model Name				AJ035RBNDEG/EU	AJ052RBNDEG/EU
Power Supply		Φ, #, V, Hz		1, 2, 220~240, 50	1, 2, 220~240, 50
Mode			-	HP	HP
Performance	Capacity	Cooling	kW	3.5	5.2
			Btu/h	11,900	17,700
		Heating	kW	3.8	5.6
			Btu/h	13,000	19,100
Power	Power Input	Cooling	W	22	28
		Heating		22	28
	Current Input	Cooling	A	0.52	0.53
		Heating		0.52	0.53
Heat exchanger	Type		-	Fin & Tube	Fin & Tube
	Material	Fin	-	Al	Al
		Tube	-	Cu	Cu
	Fin Treatment		-	Green Hydrophile	Green Hydrophile
Fan	Type		-	Turbo Fan	Turbo Fan
	Quantity		EA	1	1
	Air Flow Rate		m ³ /min	10.5 / 9.0 / 7.4	10.5 / 9.0 / 7.4
			l/s	175.00 / 150.00 / 123.33	175.00 / 150.00 / 123.33
	External Static Pressure	Max. (Min/Std/Max)	mmAq	-	-
Pa			-	-	
Fan Motor	Type		-	BLDC Motor	BLDC Motor
	Output x n		W	65 x 1	65 x 1
Piping Connections	Liquid Pipe		Type	Flare connection	Flare connection
			Φ, mm (inch)	6.35 (1/4)	6.35 (1/4)
	Gas Pipe		Type	Flare connection	Flare connection
			Φ, mm (inch)	9.52 (3/8)	12.7 (1/2)
	Heat insulation		-	Both liquid and gas pipes	Both liquid and gas pipes
Drain Pipe		Φ,mm	VP25 (OD 32,ID 25)	VP25 (OD 32,ID 25)	
Wiring connections	Communication	Min.	mm ²	0.75	0.75
		Remark	-	F1, F2	F1, F2
Refrigerant	Type		-	R32 / R410A	R32 / R410A
	Electronic Expansion Valve		-	EEV NOT INCLUDED	EEV NOT INCLUDED
Sound	Sound Pressure	H/M/L	dB(A)	35 / 31 / 27	39 / 36 / 32
	Sound Power	Cooling		53	55
External Dimension	Net Weight		kg	11.5	11.8
	Shipping Weight		kg	13.5	13.8
	Net Dimensions (WxHxD)		mm	575 x 250 x 575	575 x 250 x 575
	Shipping Dimensions (WxHxD)		mm	623 x 298 x 653	623 x 298 x 653
Casing	Material		-	Polypropylene	Polypropylene

2. Specification

Type			(Wind-Free) 4Way Cassette (600x600)	(Wind-Free) 4Way Cassette (600x600)
Model Name			AJ035RBNDEG/EU	AJ052RBNDEG/EU
Panel 1	Model Name	-	PC4SUFMAN	PC4SUFMAN
	Type	-	Wind-Free	Wind-Free
	Material	-	HIPS	HIPS
	Color	-	DA White	DA White
	Net Weight	kg	2.7	2.7
	Shipping Weight	kg	3.9	3.9
	Net Dimensions (W×H×D)	mm	620 x 57 x 620	620 x 57 x 620
	Shipping Dimensions (W×H×D)	mm	670 x 120 x 655	670 x 120 x 655
Panel 2	Model Name	-	PC4SUSMFN	PC4SUSMFN
	Type	-	Normal (Waffle Type)	Normal (Waffle Type)
	Material	-	HIPS	HIPS
	Color	-	White	White
	Net Weight	kg	2.7	2.7
	Shipping Weight	kg	3.5	3.5
	Net Dimensions (W×H×D)	mm	620 x 45 x 620	620 x 45 x 620
	Shipping Dimensions (W×H×D)	mm	667 x 102 x 655	667 x 102 x 655
Drain pump	Drain pump	-	Included	Included
	Max. lifting Height / Displacement	mm / liter/h	750 / 24	750 / 24
Additional Accessories	Drain pump	External Model	-	-
		Internal Model	-	-
		Max. lifting Height / Displacement	mm / liter/h	-
	Air Filter	-	Option (Removable / Washable)	Option (Removable / Washable)

NOTE

- Specifications may be subject to change without prior notice.
- 1)* Capacities are based on (Equivalent refrigerant piping : 5m, Level differences : 0m)
 - Cooling : Indoor temperature : 27°C DB, 19°C WB / Outdoor temperature : 35°C DB, 24°C WB
 - Heating : Indoor temperature : 20°C DB, 15°C WB / Outdoor temperature : 7°C DB, 6°C WB
- 2)* Select wire size based on the value of MCA
- 3)* Sound pressure level is obtained in an anechoic room.
 - Sound pressure level is a relative value, depending on the distance and acoustic environment.
 - Sound pressure level may differ depending on operation condition.
 - dBA = A-weighted sound pressure level
 - Reference acoustic pressure 0 dB = 20uPa
- 4)* Sound power level is an absolute value that a sound source generates.
 - dBA = A-weighted sound power level
 - Reference power : 1pW
 - Measured according to ISO 3741
- 5)* These products contain R32 (GWP=675) which is fluorinated greenhouse gas.

2. Specification

2-2. Indoor units

Duct - Slim Duct, MSP Duct

Type				Slim Duct	Slim Duct	MSP Duct
Model Name				AJ026RBLDEG/EU	AJ035RBLDEG/EU	AJ052RBMDEG/EU
Power Supply		Φ, #, V, Hz		1, 2, 220~240, 50	1, 2, 220~240, 50	1, 2, 220~240, 50
Mode			-	HP	HP	HP
Performance	Capacity	Cooling	kW	2.6	3.5	5.2
			Btu/h	8,900	11,900	17,700
		Heating	kW	2.9	3.8	5.6
			Btu/h	9,900	13,000	19,100
Power	Power Input	Cooling	W	80	80	170
		Heating		80	80	170
	Current Input	Cooling	A	0.4	0.4	1.04
		Heating		0.4	0.4	1.04
Heat exchanger	Type		-	Fin & Tube	Fin & Tube	Fin & Tube
	Material	Fin	-	Al	Al	Al
		Tube	-	Cu	Cu	Cu
	Fin Treatment		-	Green Hydrophile	Green Hydrophile	Green Hydrophile
Fan	Type		-	Sirroco Fan	Sirroco Fan	Sirroco Fan
	Quantity		EA	2	2	2
	Air Flow Rate		m ³ /min	8.6 / 7.6 / 6.6	9.8 / 8.8 / 7.8	16.3 / 15.0 / 13.5
			l/s	143 / 127 / 110	163 / 147 / 130	272 / 250 / 225
	External Static Pressure	Max. (Min/Std/Max)	mmAq	0 / 2 / 4	0 / 2 / 4	0 / 4 / 6
Pa			0 / 19.6 / 39.2	0 / 19.6 / 39.2	0 / 39.2 / 58.8	
Fan Motor	Type		-	AC Motor	AC Motor	AC Motor
	Output x n		W	25 x 1	25 x 1	200 x 1
Piping Connections	Liquid Pipe		Type	Flare connection	Flare connection	Flare connection
			Φ, mm (inch)	6.35 (1/4)	6.35 (1/4)	6.35 (1/4)
	Gas Pipe		Type	Flare connection	Flare connection	Flare connection
			Φ, mm (inch)	9.52 (3/8)	9.52 (3/8)	12.7 (1/2)
	Heat insulation		-	Both liquid and gas pipes	Both liquid and gas pipes	Both liquid and gas pipes
Drain Pipe		Φ,mm	VP25 (OD 32, ID 25)	VP25 (OD 32, ID 25)	VP25 (OD 32, ID 25)	
Wiring connections	Communication	Min.	mm ²	0.75	0.75	0.75
		Remark	-	F1, F2	F1, F2	F1, F2
Refrigerant	Type		-	R410A	R410A	R410A
	Electronic Expansion Valve		-	EEV NOT INCLUDED	EEV NOT INCLUDED	EEV NOT INCLUDED
Sound	Sound Pressure	H/M/L	dB(A)	30 / 28 / 25	32 / 30 / 27	42 / 41 / 39
	Sound Power	Cooling		53	53	59
External Dimension	Net Weight		kg	23.3	23.3	28.3
	Shipping Weight		kg	27.8	27.8	33.5
	Net Dimensions (WxHxD)		mm	900 x 199 x 600	900 x 199 x 600	900 x 260 x 480
	Shipping Dimensions (WxHxD)		mm	1,151 x 280 x 709	1,151 x 280 x 709	1,170 x 340 x 595

2. Specification

Type			Slim Duct	Slim Duct	MSP Duct
Model Name			AJ026RBLDEG/EU	AJ035RBLDEG/EU	AJ052RBMDEG/EU
Casing	Material	-	EGI Steel Plate	EGI Steel Plate	EGI Steel Plate
Drain pump	Drain pump	-	-	-	-
	Max. lifting Height / Displacement	mm / liter/h	-	-	-
Additional Accessories	Drain pump	External Model	-	-	-
		Internal Model	-	Optional MDP-E075SEE3	Optional MDP-E075SEE3
		Max. lifting Height / Displacement	mm / liter/h	750/24	750/24
	Air Filter	-	Removable / Washable	Removable / Washable	Removable / Washable

NOTE

- Specifications may be subject to change without prior notice.
- 1)* Capacities are based on (Equivalent refrigerant piping : 5m, Level differences : 0m)
 - Cooling : Indoor temperature : 27°C DB, 19°C WB / Outdoor temperature : 35°C DB, 24°C WB
 - Heating : Indoor temperature : 20°C DB, 15°C WB / Outdoor temperature : 7°C DB, 6°C WB
- 2)* Select wire size based on the value of MCA
- 3)* Sound pressure level is obtained in an anechoic room.
 - Sound pressure level is a relative value, depending on the distance and acoustic environment.
 - Sound pressure level may differ depending on operation condition.
 - dBA = A-weighted sound pressure level
 - Reference acoustic pressure 0 dB = 20uPa
- 4)* Sound power level is an absolute value that a sound source generates.
 - dBA = A-weighted sound power level
 - Reference power : 1pW
 - Measured according to ISO 3741
- 5)* These products contain R32 (GWP=675) which is fluorinated greenhouse gas.

2. Specification

2-2. Indoor units

Console

Type				Console	Console	Console
Model Name				AJ026RBJDEG/EU	AJ035RBJDEG/EU	AJ052RBJDEG/EU
Power Supply		Φ, #, V, Hz		1, 2, 220~240, 50	1, 2, 220~240, 50	1, 2, 220~240, 50
Mode			-	HP	HP	HP
Performance	Capacity	Cooling	kW	2.6	3.5	5.2
			Btu/h	8,900	11,900	17,700
		Heating	kW	2.9	3.8	5.6
			Btu/h	9,900	13,000	19,100
Power	Power Input	Cooling	W	30	35	50
		Heating		30	35	50
	Current Input	Cooling	A	0.25	0.29	0.29
		Heating		0.25	0.29	0.29
Heat exchanger	Type		-	Fin & Tube	Fin & Tube	Fin & Tube
	Material	Fin	-	Al	Al	Al
		Tube	-	Cu	Cu	Cu
	Fin Treatment		-	Green Hydrophile	Green Hydrophile	Green Hydrophile
Fan	Type		-	Turbo Fan	Turbo Fan	Turbo Fan
	Quantity		EA	1	1	1
	Air Flow Rate		m ³ /min	9.0 / 7.8 / 6.7	10.5 / 9.3 / 8.2	11.2 / 9.9 / 8.6
			l/s	150 / 130 / 112	175 / 155 / 137	187 / 165 / 143
	External Static Pressure	Max. (Min/Std/Max)	mmAq	-	-	-
Pa			-	-	-	
Fan Motor	Type		-	BLDC Motor	BLDC Motor	BLDC Motor
	Output x n		W	35 x 1	35 x 1	35 x 1
Piping Connections	Liquid Pipe		Type	Flare connection	Flare connection	Flare connection
			Φ, mm (inch)	6.35 (1/4)	6.35 (1/4)	6.35 (1/4)
	Gas Pipe		Type	Flare connection	Flare connection	Flare connection
			Φ, mm (inch)	9.52 (3/8)	9.52 (3/8)	12.7 (1/2)
	Heat insulation		-	Both liquid and gas pipes	Both liquid and gas pipes	Both liquid and gas pipes
Drain Pipe		Φ,mm	VP25 (OD 32,ID 25)	VP25 (OD 32,ID 25)	VP25 (OD 32,ID 25)	
Wiring connections	Communication	Min.	mm ²	0.75	0.75	0.75
		Remark	-	F1, F2	F1, F2	F1, F2
Refrigerant	Type		-	R32 / R410A	R32 / R410A	R32 / R410A
	Electronic Expansion Valve		-	EEV NOT INCLUDED	EEV NOT INCLUDED	EEV NOT INCLUDED
Sound	Sound Pressure	H/M/L	dB(A)	36 / 31 / 23	38 / 35 / 24	43 / 39 / 32
	Sound Power	Cooling		53	57	60
External Dimension	Net Weight		kg	15.7	15.7	15.7
	Shipping Weight		kg	20.3	20.3	20.3
	Net Dimensions (WxHxD)		mm	720 x 199 x 620	720 x 199 x 620	720 x 199 x 620
	Shipping Dimensions (WxHxD)		mm	805 x 297 x 705	805 x 297 x 705	805 x 297 x 705

2. Specification

Type			Console	Console	Console
Model Name			AJ026RBJDEG/EU	AJ035RBJDEG/EU	AJ052RBJDEG/EU
Casing	Material	-	HIPS	HIPS	HIPS
Drain pump	Drain pump	-	NOT INCLUDED	NOT INCLUDED	NOT INCLUDED
	Max. lifting Height / Displacement	mm / liter/h	-	-	-
Additional Accessories	Drain pump	External Model	-	-	-
		Internal Model	-	-	-
		Max. lifting Height / Displacement	mm / liter/h	-	-
	SPI	-	Default	Default	Default
	Air Filter	-	Removable / Washable	Removable / Washable	Removable / Washable

NOTE

- Specifications may be subject to change without prior notice.
- 1)* Capacities are based on (Equivalent refrigerant piping : 5m, Level differences : 0m)
 - Cooling : Indoor temperature : 27°C DB, 19°C WB / Outdoor temperature : 35°C DB, 24°C WB
 - Heating : Indoor temperature : 20°C DB, 15°C WB / Outdoor temperature : 7°C DB, 6°C WB
- 2)* Select wire size based on the value of MCA
- 3)* Sound pressure level is obtained in an anechoic room.
 - Sound pressure level is a relative value, depending on the distance and acoustic environment.
 - Sound pressure level may differ depending on operation condition.
 - dBA = A-weighted sound pressure level
 - Reference acoustic pressure 0 dB = 20uPa
- 4)* Sound power level is an absolute value that a sound source generates.
 - dBA = A-weighted sound power level
 - Reference power : 1pW
 - Measured according to ISO 3741
- 5)* These products contain R32 (GWP=675) which is fluorinated greenhouse gas.

3. Electric Characteristics

Capacity (Cooling) kW	Model	Power Supply		Voltage Range		Nominal Running Current [A]		Current [A]		ODU Fan Motor kW
		Hz	Voltage	Min. (-15%)	Max. (+15%)	Cooling	Heating	MCA	MFA	
4.0	AJ040NCJ2EG**	50	220~240	198	264	4.1	4.1	9.8	11.25	0.04
5.0	AJ050NCJ2EG**	50	220~240	198	264	5.6	5.9	11.8	13.75	0.04
5.2	AJ052RCJ3EG**	50	220~240	198	264	5.5	6.1	11.9	13.75	0.125
6.8	AJ068RCJ3EG**	50	220~240	198	264	8.1	8.2	17.5	20.75	0.125
8.0	AJ080RCJ4EG**	50	220~240	198	264	8.9	9.5	17.8	20.75	0.125
10.0	AJ100RCJ5EG**	50	220~240	198	264	12.2	12.8	24.5	28.75	0.125

 **NOTE**

- MCA : Minimum circuit amperes
- MFA : Maximum fuse amperes
- Select wire size based on the value of MCA

4. Combination Table

4-1. AJ040NCJ2EG/EU

COOLING

Outdoor unit		A	B	Cooling Capacity		Capacity			Power Consumption			Current			Effic. NOM. Cooling. At 35°C/27°C	SEASONAL EFFICIENCY (ACCORDING EN14825)	SEER	Qce
				W		W			W			A						
				A	B	MIN	STD	MAX	MIN	STD	MAX	MIN	STD	MAX	EER	Class	kWh	
AJ040NCJ2EG	2 Unit	7	7	2000	2000	1300	4000	4700	300	900	1250	1.7	4.1	5.7	4.44	A+++	8.54	164
		7	9	1780	2220	1300	4000	4700	350	920	1270	1.9	4.2	5.8	4.35	A+++	8.51	165
		7	12	1450	2550	1300	4000	4700	350	930	1280	1.9	4.3	5.9	4.3	A+++	8.51	165
		9	9	2000	2000	1300	4000	4700	350	940	1290	1.9	4.3	5.9	4.26	A+++	8.51	165
		9	12	1670	2330	1300	4000	4700	350	950	1300	1.9	4.3	5.9	4.21	A+++	8.51	165

HEATING

Outdoor unit		A	B	Heating Capacity		Capacity			Power Consumption			Current			Effic. NOM. Heating. At 7°C/20°C	SEASONAL EFFICIENCY (ACCORDING EN14825)	SCOP	P design	Qhe
				W		W			W			A							
				A	B	MIN	STD	MAX	MIN	STD	MAX	MIN	STD	MAX	COP	Class	kW	kWh	
AJ040NCJ2EG	2 Unit	7	7	2100	2100	1000	4200	4700	280	900	1180	1.4	4.1	5.4	4.67	A++	4.64	3.05	922
		7	9	1840	2360	1000	4200	4700	280	920	1190	1.4	4.2	5.4	4.57	A++	4.61	3.05	927
		7	12	1550	2650	1000	4200	4700	280	930	1200	1.4	4.3	5.5	4.52	A++	4.61	3.05	927
		9	9	2100	2100	1000	4200	4700	280	940	1210	1.4	4.3	5.5	4.47	A++	4.61	3.05	927
		9	12	1800	2400	1000	4200	4700	280	950	1220	1.4	4.3	5.6	4.42	A++	4.61	3.05	927

NOTE

- EER and COP declared only for the purpose of tax deductions in force at the time of the creation of this catalog.
- The above is the value for connecting with the following indoor units.
 - A3050 Good1 : AR07MXWSAWKNEU, AR09MXWSAWKNEU, AR12MXWSAWKNEU
- You can not connect a single unit.
- Power consumption include indoor unit power.

4. Combination Table

4-2. AJ050NCJ2EG/EU

COOLING

Outdoor unit		A	B	Cooling Capacity		Capacity			Power Consumption			Current			Effic. NOM. Cooling. At 35°C/27°C	SEASONAL EFFICIENCY (ACCORDING EN14825)	SEER	Qce
				W		W			W			A						kWh
				A	B	MIN	STD	MAX	MIN	STD	MAX	MIN	STD	MAX	EER	Class		
AJ050NCJ2EG	2 Unit	7	7	2000	2000	1300	4000	4700	350	980	1290	1.9	4.5	5.9	4.08	A+++	8.51	165
		7	9	2040	2560	1300	4600	5200	350	1120	1520	1.9	5.1	7	4.11	A+++	8.51	189
		7	12	1820	3180	1400	5000	5500	350	1230	1510	1.9	5.6	6.9	4.07	A+++	8.51	206
		9	9	2500	2500	1400	5000	5500	350	1220	1500	1.9	5.6	6.9	4.1	A+++	8.54	205
		9	12	2080	2920	1400	5000	5500	350	1230	1510	1.9	5.6	6.9	4.07	A+++	8.51	206
		12	12	2500	2500	1400	5000	5500	350	1240	1520	1.9	5.7	7	4.03	A+++	8.51	206

HEATING

Outdoor unit		A	B	Heating Capacity		Capacity			Power Consumption			Current			Effic. NOM. Heating. At 7°C/20°C	SEASONAL EFFICIENCY (ACCORDING EN14825)	SCOP	Pdesign	Qhe
				W		W			W			A						kW	kWh
				A	B	MIN	STD	MAX	MIN	STD	MAX	MIN	STD	MAX	COP	Class			
AJ050NCJ2EG	2 Unit	7	7	2200	2200	1400	4400	4700	280	1010	1210	1.4	4.6	5.5	4.36	A++	4.61	3.05	927
		7	9	2230	2870	1400	5100	5460	280	1310	1610	1.4	6	7.4	3.89	A++	4.61	4.21	1277
		7	12	2060	3540	1400	5600	6300	280	1290	1710	1.4	5.9	7.8	4.34	A++	4.61	4.21	1277
		9	9	2800	2800	1400	5600	6300	280	1280	1700	1.4	5.9	7.8	4.38	A++	4.64	4.21	1270
		9	12	2400	3200	1400	5600	6300	280	1290	1710	1.4	5.9	7.8	4.34	A++	4.61	4.21	1277
		12	12	2800	2800	1400	5600	6300	280	1300	1720	1.4	5.9	7.9	4.31	A++	4.61	4.21	1277

NOTE

- EER and COP declared only for the purpose of tax deductions in force at the time of the creation of this catalog.
- The above is the value for connecting with the following indoor units.
 - A3050 Good1 : AR07MXWSAWKNEU, AR09MXWSAWKNEU, AR12MXWSAWKNEU
- You can not connect a single unit.
- Power consumption include indoor unit power.

4. Combination Table

4-3. AJ052RCJ3EG/EU

COOLING

Outdoor unit	A	B	C	Cooling Capacity			Capacity			Power Consumption			Current			Effic. NOM. Cooling. At 35°C/27°C	SEASONAL EFFICIENCY (ACCORDING EN14825)	SEER	Qce	
				W			W			W			A							
				A	B	C	MIN	STD	MAX	MIN	STD	MAX	MIN	STD	MAX	EER	Class	kWh		
AJ052RCJ3EG	2 Unit	7	7		2000	2000		1100	4000	4800	320	1020	1630	2	4.5	7.5	3.92	A++	8.08	173
		7	9		2040	2560		1100	4600	5520	320	1170	1850	2	5.2	8.5	3.93	A++	7.73	208
		7	12		1820	3180		1100	5000	6290	320	1260	2000	2	5.6	9.2	3.97	A++	8.15	215
		7	18		1490	3710		1200	5200	6600	320	1300	2040	2	5.7	9.3	4.00	A++	7.85	232
		9	9		2500	2500		1100	5000	5800	320	1160	1980	2	5.1	9.1	4.30	A+++	8.51	206
		9	12		2080	2920		1100	5000	6400	320	1250	2020	2	5.5	9.2	4.00	A++	8.16	214
		9	18		1730	3470		1200	5200	6800	320	1300	2070	2	5.7	9.5	4.00	A++	7.85	232
	12	12		2600	2600		1100	5200	6560	320	1300	2040	2	5.7	9.3	4.00	A++	8.16	214	
	3 Unit	7	7	7	1730	1730	1740	1450	5200	6380	330	1280	2020	2	5.7	9.2	4.06	A++	7.68	237
		7	7	9	1600	1600	2000	1450	5200	6490	330	1290	2040	2	5.7	9.3	4.03	A++	7.67	237
		7	7	12	1390	1390	2420	1450	5200	6800	330	1270	2070	2	5.6	9.5	4.09	A++	7.69	237
		7	9	9	1480	1860	1860	1450	5200	6600	330	1260	2040	2	5.6	9.3	4.13	A++	7.7	236
		7	9	12	1300	1630	2270	1450	5200	6800	330	1270	2070	2	5.6	9.5	4.11	A++	7.69	237
		9	9	9	1730	1730	1740	1450	5200	6800	330	1250	2070	2	5.5	9.5	4.16	A++	7.7	236
9		9	12	1530	1530	2140	1450	5200	6800	330	1250	2070	2	5.5	9.5	4.16	A++	8.08	225	

4. Combination Table

HEATING

Outdoor unit	A	B	C	Heating Capacity			Capacity			Power Consumption			Current			Effic. NOM. Heating. At 7°C/20°C	SEASONAL EFFICIENCY (ACCORDING EN14825)	SCOP	P design	Qhe	
				W			W			W			A								
				A	B	C	MIN	STD	MAX	MIN	STD	MAX	MIN	STD	MAX						COP
AJ052RCJ3EG	2 Unit	7	7		2200	2200		950	4400	5060	280	1150	1510	1.7	5.4	6.9	3.83	A+	4.40	3.05	970
		7	9		2040	3060		950	5100	5870	280	1320	1830	1.7	6.1	8.4	3.86	A+	4.35	4.21	1352
		7	12		1990	3610		950	5600	6440	280	1450	1860	1.7	6.7	8.5	3.86	A+	4.34	4.60	1484
		7	18		1610	4390		950	6000	6900	280	1570	1860	1.7	7.2	8.5	3.82	A+	4.27	4.28	1401
		9	9		2900	2900		950	5800	6300	280	1510	1910	1.7	6.9	8.7	3.84	A++	4.60	4.60	1400
		9	12		2620	3180		950	5800	6300	280	1510	1910	1.7	6.9	8.7	3.84	A+	4.34	4.60	1484
		9	18		2240	4060		950	6300	7300	280	1640	1830	1.7	7.5	8.4	3.84	A+	4.27	4.28	1401
		12	12		2950	2950		950	5900	6880	280	1530	1860	1.7	7.0	8.5	3.86	A+	4.34	4.60	1484
	3 Unit	7	7	7	1930	1930	1940	1000	5800	6760	280	1500	1840	1.7	6.9	8.4	3.87	A+	4.30	4.60	1497
		7	7	9	1690	1690	2520	1000	5900	6840	280	1550	1840	1.7	7.1	8.4	3.81	A+	4.30	4.60	1497
		7	7	12	1650	1650	3000	1000	6300	7300	280	1560	1830	1.7	7.1	8.4	4.04	A+	4.30	4.60	1497
		7	9	9	1500	2250	2250	1000	6000	6920	280	1500	1840	1.7	6.9	8.4	4.00	A+	4.30	4.60	1497
		7	9	12	1460	2190	2650	1000	6300	7300	280	1530	1830	1.7	7.0	8.4	4.12	A+	4.30	4.60	1497
		9	9	9	2100	2100	2100	1000	6300	7300	280	1320	1830	1.7	6.1	8.4	4.77	A+	4.30	4.60	1497
9		9	12	1850	1850	2600	1000	6300	7300	280	1320	1830	1.7	6.1	8.4	4.77	A+	4.30	4.60	1497	

NOTE

- EER and COP declared only for the purpose of tax deductions in force at the time of the creation of this catalog.
- The above is the value for connecting with the following indoor units.
 - A3050 Good1 : AR07MXWSAWK, AR09MXWSAWK, AR12MXWSAWK
 - Wind Free : AR18RXPXBWK
- You can not connect a single unit.
- Power consumption include indoor unit power.

4. Combination Table

4-4. AJ068RCJ3EG/EU

COOLING

Outdoor unit	A	B	C	Cooling Capacity			Capacity			Power Consumption			Current			Effic. NOM. Cooling. At 35°C/27°C	SEASONAL EFFICIENCY (ACCORDING EN14825)	SEER	Qce	
				W			W			W			A							
				A	B	C	MIN	STD	MAX	MIN	STD	MAX	MIN	STD	MAX	EER	Class	kWh		
AJ068RCJ3EG	2 Unit	7	7		2000	2000		1300	4000	4800	420	1110	1480	2.3	5.2	6.8	3.60	A++	7.55	185
		7	9		2000	2500		1300	4500	5520	420	1270	1680	2.3	5.9	7.7	3.54	A++	7.47	211
		7	12		2000	3500		1300	5500	6550	420	1500	2470	2.3	6.9	11.3	3.50	A++	7.14	270
		7	18		1860	4640		1300	6500	7740	420	1660	2690	2.3	7.6	12.3	3.62	A++	7.54	302
		9	9		2500	2500		1300	5000	5950	420	1430	2260	2.3	6.6	10.3	3.50	A++	7.55	232
		9	12		2500	3500		1300	6000	7140	420	1650	2670	2.3	7.5	12.2	3.64	A++	7.48	281
		9	18		2270	4530		1380	6800	8090	430	1870	2660	2.3	8.5	12.2	3.64	A++	7.57	314
		12	12		3250	3250		1300	6500	7740	420	1770	2700	2.3	8.0	12.4	3.67	A++	7.56	301
		12	18		2800	4000		1380	6800	8090	430	1880	2670	2.3	8.5	12.2	3.62	A++	7.56	315
	18	18		3400	3400		1380	6800	8090	430	1850	2660	2.3	8.4	12.2	3.68	A++	7.58	314	
	3 Unit	7	7	7	2000	2000	2000	1800	6000	7400	440	1620	2650	2.3	7.4	12.1	3.70	A++	7.62	276
		7	7	9	2000	2000	2500	1800	6500	8000	440	1770	2690	2.3	8.0	12.3	3.67	A++	7.64	298
		7	7	12	1810	1810	3180	1800	6800	8400	440	1850	2700	2.3	8.4	12.4	3.68	A++	7.67	310
		7	7	18	1510	1510	3780	1800	6800	8400	440	1800	2690	2.3	8.1	12.3	3.78	A++	7.69	309
		7	9	9	1860	2320	2320	1800	6500	8000	440	1670	2690	2.3	7.6	12.3	3.90	A++	7.75	293
		7	9	12	1700	2130	2970	1800	6800	8400	440	1840	2690	2.3	8.3	12.3	3.70	A++	7.67	310
		7	9	18	1430	1790	3580	1800	6800	8400	440	1830	2690	2.3	8.3	12.3	3.72	A++	7.68	310
		7	12	12	1520	2640	2640	1800	6800	8400	440	1830	2700	2.3	8.3	12.4	3.72	A++	7.68	310
		7	12	18	1300	2270	3230	1800	6800	8400	440	1830	2700	2.3	8.3	12.4	3.72	A++	7.68	310
		9	9	9	2260	2270	2270	1800	6800	8400	440	1820	2690	2.3	8.3	12.3	3.74	A++	7.68	310
9		9	12	2000	2000	2800	1800	6800	8400	440	1820	2700	2.3	8.3	12.4	3.74	A++	7.68	310	
9	9	18	1700	1700	3400	1800	6800	8400	440	1810	2690	2.3	8.2	12.3	3.76	A++	7.69	310		
9	12	12	1780	2510	2510	1800	6800	8400	440	1810	2700	2.3	8.2	12.4	3.76	A++	7.69	310		
9	12	18	1550	2160	3090	1800	6800	8400	440	1800	2700	2.3	8.1	12.4	3.78	A++	7.69	309		
12	12	12	2260	2270	2270	1800	6800	8400	440	1800	2710	2.3	8.1	12.4	3.78	A++	7.69	309		

4. Combination Table

HEATING

Outdoor unit	A	B	C	Heating Capacity			Capacity			Power Consumption			Current			Effic. NOM. Heating. At 7°C/20°C	SEASONAL EFFICIENCY (ACCORDING EN14825)	SCOP	P design	Qhe	
				W			W			W			A								
				A	B	C	MIN	STD	MAX	MIN	STD	MAX	MIN	STD	MAX	COP	Class	kW	kWh		
AJ068RCJ3EG	2 Unit	7	7		2200	2200		1400	4400	5060	380	1150	1600	1.9	4.9	7.3	3.83	A+	4.25	3.05	1006
		7	9		2200	3300		1400	5500	6330	380	1400	2000	1.9	6.0	9.2	3.93	A+	4.2	4.21	1401
		7	12		2200	4000		1400	6200	7130	380	1590	2300	1.9	6.8	10.5	3.90	A+	4.17	4.52	1517
		7	18		2090	5710		1400	7800	8970	380	1880	2700	1.9	8.5	12.4	4.14	A+	4.26	5.65	1856
		9	9		3300	3300		1400	6600	7590	380	1770	2600	1.9	7.5	11.9	3.73	A+	4.22	4.91	1628
		9	12		3300	4000		1400	7300	8400	380	1870	2600	1.9	8.0	11.9	3.90	A+	4.19	5.09	1699
		9	18		2770	5030		1400	7800	8970	380	1940	2800	1.9	8.7	12.8	4.02	A+	4.23	5.09	1683
		12	12		3900	3900		1400	7800	8970	380	1910	2700	1.9	8.6	12.4	4.08	A+	4.27	5.09	1668
		12	18		3200	4800		1400	8000	9200	380	1990	2800	1.9	9.0	12.8	4.02	A+	4.23	5.09	1683
	18	18		4000	4000		1400	8000	9200	380	1980	2800	1.9	8.9	12.8	4.04	A+	4.28	5.65	1847	
	3 Unit	7	7	7	2200	2200	2200	1400	6600	8100	380	1540	2400	1.9	6.6	11.0	4.28	A+	4.24	5.65	1867
		7	7	9	2200	2200	3300	1400	7700	9500	380	1780	2500	1.9	8.1	11.4	4.32	A+	4.24	5.65	1867
		7	7	12	2100	2100	3800	1400	8000	9800	380	1870	2600	1.9	8.5	11.9	4.28	A+	4.26	5.65	1856
		7	7	18	1690	1690	4620	1400	8000	9800	380	1860	2600	1.9	8.4	11.9	4.30	A+	4.26	5.65	1856
		7	9	9	2000	3000	3000	1400	8000	9800	380	1810	2500	1.9	8.2	11.4	4.42	A+	4.32	5.65	1833
		7	9	12	1850	2780	3370	1400	8000	9800	380	1830	2600	1.9	8.3	11.9	4.37	A+	4.24	5.65	1867
		7	9	18	1530	2300	4170	1400	8000	9800	380	1860	2600	1.9	8.4	11.9	4.30	A+	4.24	5.65	1867
		7	12	12	1720	3140	3140	1400	8000	9800	380	1860	2600	1.9	8.4	11.9	4.30	A+	4.24	5.65	1867
		7	12	18	1450	2620	3930	1400	8000	9800	380	1860	2600	1.9	8.4	11.9	4.30	A+	4.24	5.65	1867
		9	9	9	2660	2670	2670	1400	8000	9800	380	1850	2600	1.9	8.4	11.9	4.32	A+	4.24	5.65	1867
		9	9	12	2490	2490	3020	1400	8000	9800	380	1850	2600	1.9	8.4	11.9	4.32	A+	4.26	5.65	1856
		9	9	18	2100	2100	3800	1400	8000	9800	380	1870	2600	1.9	8.5	11.9	4.28	A+	4.26	5.65	1856
		9	12	12	2340	2830	2830	1400	8000	9800	380	1870	2600	1.9	8.5	11.9	4.28	A+	4.24	5.65	1867
		9	12	18	1980	2410	3610	1400	8000	9800	380	1890	2700	1.9	8.6	12.4	4.23	A+	4.24	5.65	1867
		12	12	12	2660	2670	2670	1400	8000	9800	380	1810	2600	1.9	8.2	11.9	4.42	A+	4.32	5.65	1833

NOTE

- EER and COP declared only for the purpose of tax deductions in force at the time of the creation of this catalog.
- The above is the value for connecting with the following indoor units.
 - A3050 Good1 : AR07MXWSAWK, AR09MXWSAWK, AR12MXWSAWK
 - Wind Free : AR18RXPXBWK
- You can not connect a single unit.
- Power consumption include indoor unit power.

4. Combination Table

4-5. AJ080RCJ4EG/EU

COOLING

Outdoor unit	A	B	C	D	Cooling Capacity				Capacity			Power Consumption			Current			Effic. NOM. Cooling. At 35°C/27°C	SEASONAL EFFICIENCY (ACCORDING EN14825)	SEER	Qce	
					W				W			W			A							
					A	B	C	D	MIN	STD	MAX	MIN	STD	MAX	MIN	STD	MAX	EER	Class	kWh		
AJ080RCJ4EG	2 Unit	7	7			2000	2000			1640	4000	4800	410	1110	1490	1.9	4.9	6.8	3.60	A++	7.55	185
		7	9			2040	2560			1690	4600	5520	420	1310	1720	1.9	5.8	7.9	3.51	A++	7.47	216
		7	12			2000	3500			1770	5500	6600	430	1570	2050	2.0	6.9	9.4	3.50	A++	7.14	270
		7	18			2060	5140			1900	7200	8640	580	2050	2690	2.7	8.9	12.3	3.51	A++	7.31	345
		7	24			1690	5760			1900	7450	8640	580	2130	2730	2.7	9.3	12.5	3.50	A++	7.25	359
		9	9			2600	2600			1750	5200	6240	420	1480	2000	1.9	6.5	9.2	3.51	A++	7.3	249
		9	12			2540	3560			1820	6100	7320	440	1680	2260	2.0	7.4	10.3	3.63	A++	7.46	286
		9	18			2400	4800			1900	7200	8640	580	2050	2690	2.7	8.9	12.3	3.51	A++	7.31	345
		9	24			2030	5520			1900	7550	8760	580	2150	2760	2.7	9.4	12.6	3.51	A++	7.26	364
		12	12			3500	3500			1900	7000	8000	580	2000	2620	2.7	8.7	12.0	3.50	A++	7.3	336
		12	18			3030	4320			1900	7350	8820	580	2110	2750	2.7	9.2	12.6	3.48	A++	7.27	354
		12	24			2620	5080			1900	7700	8930	580	2180	2780	2.7	9.5	12.7	3.53	A++	7.21	377
		18	18			3830	3830			1900	7660	9180	580	2120	2860	2.7	9.2	13.1	3.61	A++	7.21	372
		18	24			3310	4490			1900	7800	8970	580	2150	2820	2.7	9.4	12.9	3.63	A++	7.22	378
	3 Unit	7	7	7		2000	2000	2000		1810	6000	7200	440	1620	2310	2.0	6.9	10.6	3.70	A++	7.62	276
		7	7	9		2030	2030	2540		1870	6600	7920	440	1810	2500	2.0	7.7	11.4	3.65	A++	7.58	305
		7	7	12		1920	1920	3360		1900	7200	9000	580	2020	2780	2.7	8.6	12.7	3.56	A++	7.45	338
		7	7	18		1680	1680	4190		1900	7550	9180	580	2130	2730	2.7	9.1	12.5	3.54	A++	7.75	341
		7	7	24		1480	1480	5040		1900	8000	9300	580	2090	2870	2.7	8.9	13.1	3.83	A++	7.75	361
		7	9	9		2000	2500	2500		1900	7000	8640	580	1930	2680	2.7	8.2	12.3	3.63	A++	7.35	348
		7	9	12		1830	2280	3200		1900	7310	9060	580	2030	2690	2.7	8.6	12.3	3.60	A++	7.75	330
		7	9	18		1610	2010	4030		1900	7650	9250	580	2050	2730	2.7	8.7	12.5	3.73	A++	7.81	343
		7	9	24		1420	1770	4810		1900	8000	9300	580	2030	2870	2.7	8.7	13.1	3.94	A++	7.77	360
		7	12	12		1680	2930	2930		1900	7540	9160	580	2070	2730	2.7	8.8	12.5	3.64	A++	7.78	339
		7	12	18		1500	2630	3750		1900	7880	9300	580	2050	2820	2.7	8.7	12.9	3.84	A++	7.74	356
		7	18	18		1330	3330	3330		1900	8000	9300	580	2010	2910	2.7	8.6	13.3	3.98	A++	7.78	360
		9	9	9		2400	2400	2400		1900	7200	9030	580	1950	2640	2.7	8.3	12.1	3.69	A++	7.77	324
		9	9	12		2180	2180	3060		1900	7420	9130	580	2040	2690	2.7	8.7	12.3	3.64	A++	7.77	334
9	9	18		1940	1940	3890		1900	7770	9300	580	1950	2780	2.7	8.3	12.7	3.98	A++	7.77	350		
9	9	24		1690	1690	4610		1900	8000	9300	580	2000	2910	2.7	8.5	13.3	4.00	A++	7.79	359		
9	12	12		2010	2820	2820		1900	7650	9230	580	2080	2730	2.7	8.9	12.5	3.68	A++	7.79	344		
9	12	18		1820	2550	3640		1900	8000	9300	580	2020	2870	2.7	8.6	13.1	3.96	A++	7.78	360		
12	12	12		2630	2630	2630		1900	7890	9300	580	2120	2820	2.7	9.0	12.9	3.72	A++	7.71	358		
12	12	18		2330	2330	3330		1900	8000	9300	580	2110	2910	2.7	9.0	13.3	3.79	A++	7.74	362		

4. Combination Table

Outdoor unit	A	B	C	D	Cooling Capacity				Capacity			Power Consumption			Current			Effic. NOM. Cooling. At 35°C/27°C	SEASONAL EFFICIENCY (ACCORDING EN14825)	SEER	Qce	
					W				W			W			A							
					A	B	C	D	MIN	STD	MAX	MIN	STD	MAX	MIN	STD	MAX	EER	Class	kWh		
AJ080RCJ4EG	4 Unit	7	7	7	7	1830	1830	1830	1830	1900	7320	9050	580	1800	2690	2.7	8.2	12.3	4.06	A++	7.67	334
		7	7	7	9	1750	1750	1750	2190	1900	7440	9120	580	1850	2690	2.7	8.4	12.3	4.02	A++	7.67	340
		7	7	7	12	1610	1610	1610	2820	1900	7650	9220	580	1900	2730	2.7	8.6	12.5	4.03	A++	7.69	348
		7	7	7	18	1450	1450	1450	3650	1900	8000	9300	580	2000	2870	2.7	9.0	13.1	4.00	A++	7.7	364
		7	7	9	9	1680	1680	2090	2090	1900	7540	9180	580	1870	2730	2.7	8.5	12.5	4.03	A++	7.68	344
		7	7	9	12	1550	1550	1940	2720	1900	7760	9280	580	1940	2780	2.7	8.8	12.7	4.00	A++	7.69	353
		7	7	9	18	1390	1390	1740	3480	1900	8000	9300	580	1970	2870	2.7	8.9	13.1	4.06	A++	7.72	363
		7	7	12	12	1450	1450	2550	2550	1900	8000	9300	580	1990	2870	2.7	9.0	13.1	4.02	A++	7.71	363
		7	9	9	9	1610	2010	2010	2010	1900	7650	9250	580	1900	2730	2.7	8.6	12.5	4.03	A++	7.69	348
		7	9	9	12	1500	1880	1880	2630	1900	7890	9300	580	1960	2820	2.7	8.9	12.9	4.03	A++	7.7	359
		7	9	9	18	1330	1670	1670	3330	1900	8000	9300	580	1970	2910	2.7	8.9	13.3	4.06	A++	7.72	363
		7	9	12	12	1400	1740	2430	2430	1900	8000	9300	580	1970	2870	2.7	8.9	13.1	4.06	A++	7.72	363
		9	9	9	9	1940	1940	1940	1940	1900	7760	9300	580	1940	2780	2.7	8.8	12.7	4.00	A++	7.69	353
		9	9	9	12	1820	1820	1820	2540	1900	8000	9300	580	1970	2870	2.7	8.9	13.1	4.06	A++	7.72	363
		9	9	12	12	1670	1670	2330	2330	1900	8000	9300	580	1970	2910	2.7	8.9	13.3	4.06	A++	7.72	363

4. Combination Table

HEATING

Outdoor unit	A	B	C	D	Heating Capacity				Capacity			Power Consumption			Current			Effic. NOM. Heating. At 7°C/20°C	SEASONAL EFFICIENCY (ACCORDING EN14825)	SCOP	P design	Qhe	
					W				W			W			A								
					A	B	C	D	MIN	STD	MAX	MIN	STD	MAX	MIN	STD	MAX	COP	Class	kW	kWh		
AJ080RCJ4EG	2	Unit	7	7		2200	2200			1980	4400	5060	600	1150	1530	2.7	4.9	7.0	3.83	A+	4.25	3.05	1006
			7	9		2040	3060			2040	5100	5870	610	1290	1700	2.8	5.5	7.8	3.95	A+	4.20	4.21	1401
			7	12		2130	3870			2110	6000	6900	610	1530	2110	2.8	6.5	9.7	3.92	A+	4.11	4.91	1669
			7	18		2090	5710			2200	7800	9130	620	1920	2580	2.8	8.2	11.8	4.06	A+	4.18	5.09	1705
			7	24		1790	6330			2200	8120	9300	620	2000	2600	2.8	8.5	11.9	4.06	A+	4.18	5.2	1742
			9	9		2900	2900			2100	5800	6670	610	1470	1930	2.8	6.3	8.8	3.94	A+	4.11	4.91	1669
			9	12		3030	3670			2170	6700	7710	610	1730	2330	2.8	7.4	10.7	3.87	A+	4.11	4.91	1669
			9	18		2770	5030			2200	7800	9360	620	1920	2600	2.8	8.2	11.9	4.06	A+	4.18	5.09	1705
			9	24		2480	5870			2200	8350	9600	620	2220	2700	2.8	9.5	12.4	3.94	A+	4.18	5.2	1742
			12	12		3800	3800			2200	7600	8740	620	1890	2510	2.8	8.1	11.5	4.02	A+	4.18	5.09	1705
			12	18		3250	4870			2200	8120	9500	620	2000	2650	2.8	8.5	12.1	4.06	A+	4.18	5.09	1705
			12	24		2860	5590			2200	8450	9700	620	2100	2700	2.8	8.9	12.4	4.02	A+	4.18	5.09	1705
			18	18		4250	4250			2200	8500	9950	620	2080	2750	2.8	8.9	12.6	4.09	A+	4.10	5.88	2010
			18	24		3760	4890			2200	8650	9900	620	2110	2800	2.8	9.0	12.8	4.10	A+	4.10	5.88	2010
	3	Unit	7	7		2200	2200	2200		2170	6600	7590	610	1540	2220	2.8	6.6	10.2	4.28	A+	4.14	5.65	1912
			7	7	9	2090	2090	3120		2200	7300	8400	620	1670	2340	2.8	7.1	10.7	4.37	A+	4.10	5.88	2010
			7	7	12	2150	2150	3900		2200	8200	9590	620	1950	2570	2.8	8.3	11.8	4.21	A+	4.10	5.88	2010
			7	7	18	1820	1820	4980		2200	8620	10090	620	2040	2610	2.8	8.7	11.9	4.23	A+	4.10	5.88	2009
			7	7	24	1580	1580	5590		2200	8750	10500	620	2080	2750	2.8	8.9	12.6	4.21	A+	4.11	5.88	2003
			7	9	9	2000	3000	3000		2200	8000	9360	620	1930	2500	2.8	8.2	11.4	4.14	A+	4.10	5.88	2010
			7	9	12	1980	2960	3590		2200	8530	9980	620	2000	2690	2.8	8.5	12.3	4.27	A+	4.10	5.88	2009
			7	9	18	1660	2490	4530		2200	8680	10150	620	2030	2740	2.8	8.6	12.5	4.28	A+	4.10	5.88	2009
			7	9	24	1540	2310	5450		2200	9300	10900	620	2150	2820	2.8	9.2	12.9	4.33	A+	4.11	5.88	2003
			7	12	12	1860	3370	3370		2200	8600	10070	620	2030	2740	2.8	8.6	12.5	4.24	A+	4.10	5.88	2009
7	12	18	1580	2870	4300		2200	8750	10500	620	2080	2750	2.8	8.9	12.6	4.21	A+	4.11	5.88	2003			
7	18	18	1440	3930	3930		2200	9300	10900	620	2150	2820	2.8	9.2	12.9	4.33	A+	4.11	5.88	2003			
9	9	9	2840	2840	2840		2200	8520	9960	620	1990	2680	2.8	8.5	12.3	4.28	A+	4.10	5.88	2009			
9	9	12	2670	2670	3250		2200	8590	10050	620	2030	2690	2.8	8.6	12.3	4.23	A+	4.10	5.88	2009			
9	9	18	2290	2290	4170		2200	8750	10500	620	2080	2740	2.8	8.9	12.5	4.21	A+	4.11	5.88	2003			
9	9	24	2130	2130	5040		2200	9300	10900	620	2170	2820	2.8	9.2	12.9	4.29	A+	4.11	5.88	2003			
9	12	12	2520	3070	3070		2200	8660	10130	620	2040	2740	2.8	8.7	12.5	4.24	A+	4.10	5.88	2009			
9	12	18	2310	2800	4190		2200	9300	10500	620	2130	2750	2.8	9.1	12.6	4.37	A+	4.11	5.88	2003			
12	12	12	2910	2910	2910		2200	8730	10220	620	2070	2750	2.8	8.8	12.6	4.22	A+	4.11	5.88	2003			
12	12	18	2660	2660	3980		2200	9300	10900	620	2160	2790	2.8	9.2	12.8	4.31	A+	4.11	5.88	2003			

4. Combination Table

Outdoor unit	A	B	C	D	Heating Capacity				Capacity			Power Consumption			Current			Effic. NOM. Heating. At 7°C/20°C	SEASONAL EFFICIENCY (ACCORDING EN14825)	SCOP	P design		Qhe
					W				W			W			A						COP	Class	
					A	B	C	D	MIN	STD	MAX	MIN	STD	MAX	MIN	STD	MAX						
AJ080RCJ4EG	4 Unit	7	7	7	7	2130	2130	2130	2130	2200	8520	9970	620	1990	2690	2.8	8.9	12.3	4.28	A+	4.11	5.88	2003
		7	7	7	9	1910	1910	1910	2850	2200	8580	10040	620	2030	2690	2.8	9.0	12.3	4.23	A+	4.11	5.88	2003
		7	7	7	12	1800	1800	1800	3250	2200	8650	10120	620	2020	2740	2.8	9.0	12.5	4.28	A+	4.11	5.88	2003
		7	7	7	18	1620	1620	1620	4440	2200	9300	10900	620	2130	2820	2.8	9.5	12.9	4.37	A+	4.11	5.88	2003
		7	7	9	9	1730	1730	2590	2590	2200	8640	10100	620	2020	2740	2.8	9.0	12.5	4.28	A+	4.11	5.88	2003
		7	7	9	12	1640	1640	2460	2970	2200	8710	10190	620	2040	2740	2.8	9.1	12.5	4.27	A+	4.11	5.88	2003
		7	7	9	18	1490	1490	2240	4080	2200	9300	10900	620	2130	2820	2.8	9.5	12.9	4.37	A+	4.11	5.88	2003
		7	7	12	12	1560	1560	2830	2830	2200	8780	10270	620	2070	2790	2.8	9.2	12.8	4.24	A+	4.11	5.88	2003
		7	9	9	9	1580	2370	2370	2370	2200	8690	10170	620	2030	2740	2.8	9.0	12.5	4.28	A+	4.11	5.88	2003
		7	9	9	12	1510	2260	2260	2730	2200	8760	10250	620	2060	2790	2.8	9.2	12.8	4.25	A+	4.11	5.88	2003
		7	9	9	18	1390	2070	2070	3770	2200	9300	10900	620	2130	2820	2.8	9.5	12.9	4.37	A+	4.11	5.88	2003
		7	9	12	12	1520	2260	2760	2760	2200	9300	10900	620	2130	2820	2.8	9.5	12.9	4.37	A+	4.11	5.88	2003
		9	9	9	9	2190	2190	2190	2190	2200	8760	10240	620	2060	2740	2.8	9.2	12.5	4.25	A+	4.11	5.88	2003
		9	9	9	12	2210	2210	2210	2670	2200	9300	10900	620	2130	2790	2.8	9.5	12.8	4.37	A+	4.11	5.88	2003
		9	9	12	12	2100	2100	2550	2550	2200	9300	10900	620	2130	2820	2.8	9.5	12.9	4.37	A+	4.11	5.88	2003

NOTE

- EER and COP declared only for the purpose of tax deductions in force at the time of the creation of this catalog.
- The above is the value for connecting with the following indoor units.
 - A3050 Good1 : AR07MXWSAWK, AR09MXWSAWK, AR12MXWSAWK
 - Wind Free : AR18RXPXBWK, AR24RXPXBWK
- You can not connect a single unit.
- Power consumption include indoor unit power.

4. Combination Table

4-6. AJ100RCJ5EG/EU

COOLING

Outdoor unit	A	B	C	D	E	Cooling Capacity					Capacity			Power Consumption			Current			Effic. NOM. Cooling. At 35°C/27°C EER	SEASONAL EFFICIENCY (ACCORDING EN14825) Class	SEER	Qce kWh	
						W					W			W			A							
						A	B	C	D	E	MIN	STD	MAX	MIN	STD	MAX	MIN	STD	MAX			MIN	STD	MAX
AJ100RCJ5EG	2 Unit	7	7				2000	2000				1680	4000	4900	610	1110	1650	2.8	4.7	7.6	3.60	A++	7.28	192
		7	9				2000	2500				1680	4500	5530	610	1270	1860	2.8	5.4	8.5	3.55	A++	7.39	213
		7	12				2000	3500				1710	5500	6950	620	1570	2330	2.8	6.7	10.7	3.50	A++	7.40	260
		7	18				2000	5000				2210	7000	8690	630	1970	2910	2.9	8.4	13.3	3.55	A++	7.37	332
		7	24				1830	6240				2280	8070	10110	650	2290	3390	3.0	9.8	15.5	3.52	A++	7.30	387
		9	9				2500	2500				1680	5000	6320	610	1400	2120	2.8	6.0	9.7	3.58	A++	7.49	234
		9	12				2500	3500				1710	6000	7270	620	1690	2430	2.8	7.2	11.1	3.55	A++	7.46	282
		9	18				2500	5000				2210	7500	9320	630	2140	3120	2.9	9.1	14.3	3.51	A++	7.33	358
		9	24				2190	5960				2280	8150	10110	650	2340	3390	3.0	10.0	15.5	3.48	A++	7.30	391
		12	12				3500	3500				2170	7000	8530	620	1960	2850	2.8	8.4	13.0	3.58	A++	7.38	332
		12	18				3300	4720				2240	8020	9950	640	2260	3330	2.9	9.6	15.2	3.55	A++	7.31	386
		12	24				2920	5670				2480	8590	10740	660	2480	3600	3.0	10.6	16.5	3.47	A++	7.15	420
		18	18				4280	4280				2440	8560	10430	650	2460	3500	3.0	10.5	16.0	3.48	A++	7.15	419
		18	24				3740	5080				2510	8820	10900	670	2470	3670	3.1	10.5	16.8	3.57	A++	7.29	423
	24	24				4550	4550				3110	9100	11000	690	2560	3740	3.2	10.9	17.1	3.55	A++	7.30	436	
	3 Unit	7	7	7			2000	2000	2000			1760	6000	7270	640	1660	2460	2.9	7.1	11.3	3.62	A++	7.48	281
		7	7	9			2000	2000	2500			1760	6500	7900	640	1780	2660	2.9	7.6	12.2	3.65	A++	7.48	281
		7	7	12			2000	2000	3500			2280	7500	8850	650	2080	2980	3.0	8.9	13.6	3.61	A++	7.52	349
		7	7	18			1930	1930	4830			2310	8690	10270	660	2500	3450	3.0	10.7	15.8	3.48	A++	7.91	391
		7	7	24			1660	1660	5650			2550	8970	10430	680	2560	3530	3.1	10.9	16.2	3.51	A++	7.65	411
		7	9	9			2000	2500	2500			2240	7000	8370	640	1920	2820	2.9	8.2	12.9	3.64	A++	7.50	326
		7	9	12			2000	2500	3500			2280	8000	9320	650	2230	3130	3.0	9.5	14.3	3.58	A++	7.77	361
		7	9	18			1850	2310	4620			2310	8780	10270	660	2480	3450	3.0	10.6	15.8	3.54	A++	7.92	388
		7	9	24			1550	1940	5270			2550	8760	10430	680	2470	3530	3.1	10.5	16.2	3.54	A++	7.92	387
		7	12	12			1930	3380	3380			2280	8690	10270	650	2500	3440	3.0	10.7	15.7	3.48	A++	7.91	391
		7	12	18			1700	2980	4250			2510	8930	10430	670	2590	3510	3.1	11.0	16.1	3.45	A++	7.90	396
		7	12	24			1460	2550	4950			2760	8960	10740	690	2550	3630	3.2	10.9	16.6	3.51	A++	7.65	410
		7	18	18			1480	3710	3710			2720	8900	10740	680	2540	3630	3.1	10.8	16.6	3.50	A++	7.92	394
7		18	24			1340	3360	4560			3150	9260	11000	700	2570	3750	3.2	11.0	17.2	3.61	A++	7.75	418	
7	24	24			1260	4270	4270			3240	9800	11000	720	2720	3770	3.3	11.6	17.3	3.60	A++	7.77	442		
9	9	9			2500	2500	2500			2240	7500	8850	640	2080	2970	2.9	8.9	13.6	3.61	A++	7.52	349		
9	9	12			2500	2500	3500			2280	8500	9950	650	2390	3340	3.0	10.2	15.3	3.55	A++	7.91	376		
9	9	18			2210	2210	4430			2480	8850	10270	660	2520	3450	3.0	10.7	15.8	3.51	A++	7.92	391		
9	9	24			1880	1880	5110			2550	8870	10740	680	2530	3630	3.1	10.8	16.6	3.51	A++	7.92	392		
9	12	12			2310	3230	3230			2280	8770	10270	650	2440	3440	3.0	10.4	15.7	3.59	A++	7.93	387		
9	12	18			1980	2770	3950			2510	8700	10430	670	2420	3510	3.1	10.3	16.1	3.59	A++	7.93	384		

4. Combination Table

Outdoor unit	A	B	C	D	E	Cooling Capacity					Capacity			Power Consumption			Current			Effic. NOM. Cooling. At 35°C/27°C	SEASONAL EFFICIENCY (ACCORDING EN14825)	SEER	Qce	
						W					W			W			A							
						A	B	C	D	E	MIN	STD	MAX	MIN	STD	MAX	MIN	STD	MAX	EER	Class	kWh		
AJ100RCJ5EG	3 Unit	9	12	24			1770	2480	4810			2760	9060	10900	690	2570	3690	3.2	11.0	16.9	3.52	A++	7.66	414
		9	18	18			1800	3600	3600			2720	9000	10900	680	2560	3680	3.1	10.9	16.8	3.52	A++	7.65	412
		9	18	24			1640	3270	4450			3150	9360	11000	700	2590	3750	3.2	11.0	17.2	3.61	A++	7.75	423
		9	24	24			1520	4140	4140			3240	9800	11000	720	2660	3770	3.3	11.3	17.3	3.68	A++	7.79	440
		12	12	12			2980	2980	2980			2480	8940	10430	660	2410	3500	3.0	10.3	16.0	3.71	A++	7.98	392
		12	12	18			2600	2600	3710			2680	8910	10740	670	2410	3620	3.1	10.3	16.6	3.69	A++	7.97	391
		12	12	24			2350	2350	4560			3110	9260	11000	690	2540	3740	3.2	10.8	17.1	3.64	A++	7.75	418
		12	18	18			2390	3410	3410			3110	9210	11000	690	2530	3740	3.2	10.8	17.1	3.64	A++	7.75	416
		12	18	24			2240	3200	4360			3200	9800	11000	710	2750	3760	3.2	11.7	17.2	3.57	A++	7.75	442
		12	24	24			2000	3900	3900			3290	9800	11000	730	2750	3780	3.3	11.7	17.3	3.57	A++	7.75	442
		18	18	18			3260	3270	3270			3150	9800	11000	700	2750	3750	3.2	11.7	17.2	3.57	A++	7.75	442
	18	18	24			2920	2920	3960			3240	9800	11000	720	2750	3770	3.3	11.7	17.3	3.57	A++	7.75	442	
	4 Unit	7	7	7	7		2000	2000	2000	2000		2350	8000	9320	670	2170	3160	3.1	9.2	14.5	3.68	A++	7.79	359
		7	7	7	9		2000	2000	2000	2500		2350	8500	9950	670	2290	3360	3.1	9.8	15.4	3.71	A++	7.95	374
		7	7	7	12		1850	1850	1850	3230		2380	8780	10270	680	2390	3470	3.1	10.2	15.9	3.68	A++	7.96	386
		7	7	7	18		1580	1580	1580	3950		2590	8690	10430	690	2330	3540	3.2	9.9	16.2	3.73	A++	7.97	382
		7	7	7	24		1420	1420	1420	4820		2840	9080	10900	710	2460	3710	3.2	10.5	17.0	3.69	A++	7.71	412
		7	7	9	9		1930	1930	2420	2420		2350	8700	10270	670	2330	3460	3.1	9.9	15.8	3.73	A++	7.97	382
		7	7	9	12		1770	1770	2210	3100		2550	8850	10270	680	2420	3470	3.1	10.3	15.9	3.66	A++	7.96	389
		7	7	9	18		1530	1530	1910	3830		2590	8800	10740	690	2380	3640	3.2	10.1	16.7	3.70	A++	7.97	387
		7	7	9	24		1380	1380	1720	4680		3200	9160	10900	710	2490	3710	3.2	10.6	17.0	3.68	A++	7.76	413
		7	7	12	12		1580	1580	2770	2770		2550	8700	10430	680	2280	3530	3.1	9.7	16.2	3.82	A++	8.00	381
		7	7	12	18		1440	1440	2520	3600		2800	9000	10900	700	2420	3700	3.2	10.3	16.9	3.72	A++	7.71	409
		7	7	12	24		1310	1310	2290	4450		3240	9360	11000	720	2530	3770	3.3	10.8	17.3	3.70	A++	7.78	421
		7	7	18	18		1330	1330	3320	3320		3200	9300	11000	710	2510	3760	3.2	10.7	17.2	3.71	A++	7.78	419
		7	7	18	24		1240	1240	3100	4220		3290	9800	11000	730	2620	3780	3.3	11.2	17.3	3.74	A++	7.81	439
		7	9	9	9		1850	2310	2310	2310		2350	8780	10270	670	2290	3460	3.1	9.8	15.8	3.84	A++	8.01	384
		7	9	9	12		1700	2130	2130	2980		2550	8940	10430	680	2370	3520	3.1	10.1	16.1	3.78	A++	8.00	391
7		9	9	18		1480	1850	1850	3700		2760	8880	10740	690	2340	3640	3.2	10.0	16.7	3.79	A++	8.00	389	
7	9	9	24		1340	1680	1680	4560		3200	9260	11000	710	2420	3760	3.2	10.3	17.2	3.82	A++	7.80	415		
7	9	12	12		1530	1910	2680	2680		2550	8800	10740	680	2290	3630	3.1	9.8	16.6	3.84	A++	8.01	385		
7	9	12	18		1400	1750	2450	3500		3150	9100	10900	700	2410	3700	3.2	10.3	16.9	3.78	A++	7.78	409		
7	9	12	24		1280	1600	2240	4350		3240	9470	11000	720	2530	3770	3.3	10.8	17.3	3.75	A++	7.79	425		
7	9	18	18		1300	1620	3240	3240		3200	9400	11000	710	2510	3760	3.2	10.7	17.2	3.75	A++	7.79	422		
7	9	18	24		1200	1500	3010	4090		3290	9800	11000	730	2630	3780	3.3	11.2	17.3	3.73	A++	7.80	440		

4. Combination Table

Outdoor unit	A	B	C	D	E	Cooling Capacity					Capacity			Power Consumption			Current			Effic. NOM. Cooling. At 35°C/27°C	SEASONAL EFFICIENCY (ACCORDING EN14825)	SEER	Qce		
						W					W			W			A								
						A	B	C	D	E	MIN	STD	MAX	MIN	STD	MAX	MIN	STD	MAX	MIN	STD	MAX	EER	Class	kWh
AJ100RCJ5EG	4	Unit	7	12	12	12		1440	2520	2520	2520		2760	9000	10900	690	2340	3690	3.2	10.0	16.9	3.84	A++	8.02	393
			7	12	12	18		1330	2330	2330	3330		3150	9320	11000	700	2470	3750	3.2	10.5	17.2	3.78	A++	7.79	418
			7	12	12	24		1240	2170	2170	4220		3240	9800	11000	720	2630	3770	3.3	11.2	17.3	3.73	A++	7.80	440
			7	12	18	18		1270	2210	3160	3160		3240	9800	11000	720	2630	3770	3.3	11.2	17.3	3.73	A++	7.80	440
			7	12	18	24		1140	1980	2830	3850		3330	9800	11000	740	2630	3790	3.4	11.2	17.3	3.73	A++	7.80	440
			7	18	18	18		1160	2880	2880	2880		3290	9800	11000	730	2630	3780	3.3	11.2	17.3	3.73	A++	7.80	440
			9	9	9	9		2210	2210	2210	2210		2510	8840	10270	670	2330	3460	3.1	9.9	15.8	3.80	A++	8.00	387
			9	9	9	12		1980	1980	1980	2770		2550	8710	10430	680	2290	3520	3.1	9.8	16.1	3.80	A++	7.99	381
			9	9	9	18		1800	1800	1800	3600		2760	9000	10900	690	2390	3690	3.2	10.2	16.9	3.76	A++	7.72	408
			9	9	9	24		1640	1640	1640	4460		3200	9380	11000	710	2520	3760	3.2	10.7	17.2	3.72	A++	7.78	422
			9	9	12	12		1850	1850	2600	2600		2720	8900	10740	680	2350	3630	3.1	10.0	16.6	3.78	A++	8.00	390
			9	9	12	18		1700	1700	2390	3410		3150	9200	11000	700	2430	3750	3.2	10.4	17.2	3.78	A++	7.79	413
			9	9	12	24		1600	1600	2240	4360		3240	9800	11000	720	2630	3770	3.3	11.2	17.3	3.73	A++	7.80	440
			9	9	18	18		1630	1630	3270	3270		3200	9800	11000	710	2630	3760	3.2	11.2	17.2	3.73	A++	7.80	440
			9	9	18	24		1460	1460	2920	3960		3290	9800	11000	730	2630	3780	3.3	11.2	17.3	3.73	A++	7.80	440
			9	12	12	12		1750	2450	2450	2450		3110	9100	10900	690	2430	3690	3.2	10.4	16.9	3.74	A++	8.00	398
			9	12	12	18		1620	2270	2270	3240		3150	9400	11000	700	2520	3750	3.2	10.7	17.2	3.73	A++	7.79	423
			9	12	12	24		1510	2100	2100	4090		3240	9800	11000	720	2630	3770	3.3	11.2	17.3	3.73	A++	7.80	440
			9	12	18	18		1540	2140	3060	3060		3240	9800	11000	720	2630	3770	3.3	11.2	17.3	3.73	A++	7.80	440
			12	12	12	12		2330	2330	2330	2330		3110	9320	11000	690	2830	3740	3.2	12.1	17.1	3.29	A++	7.79	419
			12	12	12	18		2210	2210	2210	3170		3200	9800	11000	710	2630	3760	3.2	11.2	17.2	3.73	A++	7.80	440
			12	12	12	24		1980	1980	1980	3860		3290	9800	11000	730	2630	3780	3.3	11.2	17.3	3.73	A++	7.80	440
			12	12	18	18		2020	2020	2880	2880		3240	9800	11000	720	2630	3770	3.3	11.2	17.3	3.73	A++	7.80	440
			5	Unit	7	7	7	7	7	1900	1900	1900	1900	1900	2630	9500	10270	700	2570	3490	3.2	11.5	16.0	3.69	A++
7	7	7			7	9	1820	1820	1820	1820	2270	2630	9550	10430	700	2600	3550	3.2	11.6	16.2	3.68	A++	7.78	430	
7	7	7			7	12	1680	1680	1680	1680	2940	2660	9660	10740	710	2630	3650	3.2	11.7	16.7	3.68	A++	7.78	434	
7	7	7			7	18	1540	1540	1540	1540	3840	3240	10000	10900	720	2750	3720	3.3	12.2	17.0	3.64	A++	7.79	449	
7	7	7			7	24	1350	1350	1350	1350	4600	3330	10000	11000	740	2750	3790	3.4	12.2	17.3	3.64	A++	7.79	449	
7	7	7			9	9	1750	1750	1750	2180	2180	2630	9610	10430	700	2610	3550	3.2	11.6	16.2	3.68	A++	7.78	432	
7	7	7			9	12	1620	1620	1620	2020	2830	2840	9710	10740	710	2670	3650	3.2	11.9	16.7	3.64	A++	7.77	437	
7	7	7			9	18	1480	1480	1480	1860	3700	3240	10000	11000	720	2730	3770	3.3	12.1	17.3	3.66	A++	7.79	449	
7	7	7			9	24	1310	1310	1310	1630	4440	3330	10000	11000	740	2730	3790	3.4	12.1	17.3	3.66	A++	7.79	449	
7	7	7			12	12	1540	1540	1540	2690	2690	3200	10000	10900	710	2750	3710	3.2	12.2	17.0	3.64	A++	7.79	449	
7	7	7			12	18	1380	1380	1380	2410	3450	3290	10000	11000	730	2760	3780	3.3	12.3	17.3	3.62	A++	7.78	450	
7	7	7			12	24	1230	1230	1230	2150	4160	3380	10000	11000	750	2760	3800	3.4	12.3	17.4	3.62	A++	7.78	450	
7	7	7			18	18	1240	1240	1240	3140	3140	3330	10000	11000	740	2760	3790	3.4	12.3	17.3	3.62	A++	7.78	450	
7	7	9			9	9	1680	1680	2100	2100	2100	2630	9660	10740	700	2630	3650	3.2	11.7	16.7	3.68	A++	7.78	434	
7	7	9			9	12	1600	1600	2000	2000	2800	2840	10000	10900	710	2750	3710	3.2	12.2	17.0	3.64	A++	7.79	449	
7	7	9			9	18	1430	1430	1790	1790	3560	3240	10000	11000	720	2760	3770	3.3	12.3	17.3	3.62	A++	7.78	450	

4. Combination Table

Outdoor unit	A	B	C	D	E	Cooling Capacity					Capacity			Power Consumption			Current			Effic. NOM. Cooling. At 35°C/27°C	SEASONAL EFFICIENCY (ACCORDING EN14825)	SEER	Qce	
						W					W			W			A							
						A	B	C	D	E	MIN	STD	MAX	MIN	STD	MAX	MIN	STD	MAX	EER	Class	kWh		
AJ100RCJ5EG	5 Unit	7	7	9	9	24	1270	1270	1580	1580	4300	3330	10000	11000	740	2760	3790	3.4	12.3	17.3	3.62	A++	7.78	450
		7	7	9	12	12	1480	1480	1860	2590	2590	3200	10000	11000	710	2750	3760	3.2	12.2	17.2	3.64	A++	7.79	449
		7	7	9	12	18	1330	1330	1680	2330	3330	3290	10000	11000	730	2780	3780	3.3	12.3	17.3	3.60	A++	7.78	450
		7	7	9	12	24	1190	1190	1490	2080	4050	3380	10000	11000	750	2780	3800	3.4	12.3	17.4	3.60	A++	7.78	450
		7	7	9	18	18	1210	1210	1520	3030	3030	3330	10000	11000	740	2780	3790	3.4	12.3	17.3	3.60	A++	7.78	450
		7	7	12	12	12	1370	1370	2420	2420	2420	3240	10000	11000	720	2750	3770	3.3	12.2	17.3	3.64	A++	7.79	449
		7	7	12	12	18	1250	1250	2190	2190	3120	3290	10000	11000	730	2760	3780	3.3	12.3	17.3	3.62	A++	7.78	450
		7	9	9	9	9	1620	2020	2020	2020	2020	2800	9700	10740	700	2610	3650	3.2	11.6	16.7	3.71	A++	7.79	436
		7	9	9	9	12	1550	1920	1920	1920	2690	3200	10000	10900	710	2750	3710	3.2	12.2	17.0	3.64	A++	7.79	449
		7	9	9	9	18	1390	1720	1720	1720	3450	3240	10000	11000	720	2760	3770	3.3	12.3	17.3	3.62	A++	7.78	450
		7	9	9	9	24	1240	1530	1530	1530	4170	3330	10000	11000	740	2760	3790	3.4	12.3	17.3	3.62	A++	7.78	450
		7	9	9	12	12	1440	1790	1790	2490	2490	3200	10000	11000	710	2720	3760	3.2	12.1	17.2	3.68	A++	7.78	434
		7	9	9	12	18	1290	1610	1610	2260	3230	3290	10000	11000	730	2760	3780	3.3	12.3	17.3	3.62	A++	7.78	450
		7	9	9	12	24	1160	1450	1450	2020	3920	3380	10000	11000	750	2760	3800	3.4	12.3	17.4	3.62	A++	7.78	450
		7	9	9	18	18	1180	1470	1470	2940	2940	3330	10000	11000	740	2780	3790	3.4	12.3	17.3	3.60	A++	7.78	450
		7	9	12	12	12	1340	1670	2330	2330	2330	3240	10000	11000	720	2750	3770	3.3	12.2	17.3	3.64	A++	7.79	449
		7	9	12	12	18	1210	1520	2120	2120	3030	3290	10000	11000	730	2750	3780	3.3	12.2	17.3	3.64	A++	7.79	449
		7	12	12	12	12	1240	2190	2190	2190	2190	3240	10000	11000	720	2750	3770	3.3	12.2	17.3	3.64	A++	7.79	449
		9	9	9	9	9	2000	2000	2000	2000	2000	3000	10000	11000	700	2750	3700	3.2	12.2	16.9	3.64	A++	7.79	449
		9	9	9	9	12	1850	1850	1850	1850	2600	3200	10000	11000	710	2750	3760	3.2	12.2	17.2	3.64	A++	7.79	449
		9	9	9	9	18	1670	1670	1670	1670	3320	3240	10000	11000	720	2760	3770	3.3	12.3	17.3	3.62	A++	7.78	450
		9	9	9	9	24	1490	1490	1490	1490	4040	3330	10000	11000	740	2760	3790	3.4	12.3	17.3	3.62	A++	7.78	450
		9	9	9	12	12	1720	1720	1720	2420	2420	3200	10000	11000	710	2750	3760	3.2	12.2	17.2	3.64	A++	7.79	449
		9	9	9	12	18	1560	1560	1560	2190	3130	3290	10000	11000	730	2760	3780	3.3	12.3	17.3	3.62	A++	7.78	450
		9	9	12	12	12	1610	1610	2260	2260	2260	3240	10000	11000	720	2750	3770	3.3	12.2	17.3	3.64	A++	7.79	449
		9	9	12	12	18	1470	1470	2060	2060	2940	3290	10000	11000	730	2760	3780	3.3	12.3	17.3	3.62	A++	7.78	450
		9	12	12	12	12	1520	2120	2120	2120	2120	3240	10000	11000	720	2750	3770	3.3	12.2	17.3	3.64	A++	7.79	449

4. Combination Table

HEATING

Outdoor unit	A	B	C	D	E	Heating Capacity					Capacity			Power Consumption			Current			Effic. NOM. Heating. At 7°C/20°C COP	SEASONAL EFFICIENCY (ACCORDING EN14825) Class	SCOP	P design		Qhe
						W					W			W			A						kW	kWh	
						A	B	C	D	E	MIN	STD	MAX	MIN	STD	MAX	MIN	STD	MAX						
AJ100RCJ5EG	2 Unit	7	7				2200	2200				1240	4400	5530	460	1070	1520	2.1	4.6	7.0	4.10	A+	4.16	3.05	1028
		7	9				2200	3300				1240	5500	6790	460	1360	1850	2.1	5.8	8.5	4.05	A+	4.15	4.21	1418
		7	12				2200	4000				1270	6200	7580	470	1490	2060	2.2	6.3	9.4	4.15	A+	4.19	4.91	1638
		7	18				2200	6000				1300	8200	10110	480	2010	2750	2.2	8.6	12.6	4.08	A+	4.09	5.88	2010
		7	24				2200	7800				1500	10000	12480	500	2490	3390	2.3	10.6	15.5	4.01	A+	4.03	7.70	2671
		9	9				3300	3300				1240	6600	8220	460	1630	2230	2.1	6.9	10.2	4.06	A+	4.19	4.91	1638
		9	12				3300	4000				1270	7300	9010	470	1810	2440	2.2	7.7	11.2	4.04	A+	4.19	4.91	1638
		9	18				3300	6000				1300	9300	11690	480	2320	3160	2.2	9.9	14.5	4.01	A+	4.03	7.70	2671
		9	24				3150	7450				1500	10600	13110	500	2640	3560	2.3	11.2	16.3	4.02	A+	4.03	7.70	2671
		12	12				4000	4000				1270	8000	9800	470	1940	2650	2.2	8.3	12.1	4.13	A+	4.19	4.91	1638
		12	18				4000	6000				1470	10000	12320	490	2490	3330	2.2	10.6	15.2	4.01	A+	4.03	7.70	2671
		12	24				3590	7010				1530	10600	13110	510	2670	3560	2.3	11.4	16.3	3.97	A+	4.03	7.70	2671
	18	18				5300	5300				1650	10600	13110	500	2660	3560	2.3	11.3	16.3	3.99	A+	4.03	7.70	2671	
	18	24				4610	5990				1820	10600	13110	520	2640	3580	2.4	11.2	16.4	4.02	A+	4.03	7.70	2671	
	24	24				5300	5300				2160	10600	12960	540	2640	3560	2.5	11.2	16.3	4.02	A+	4.03	7.70	2671	
	3 Unit	7	7	7			2200	2200	2200			1320	6600	7580	490	1590	2090	2.2	6.8	9.6	4.14	A+	4.18	5.65	1893
		7	7	9			2200	2200	3300			1320	7700	9010	490	1850	2460	2.2	7.9	11.3	4.17	A+	4.18	5.65	1893
		7	7	12			2200	2200	4000			1350	8400	9800	500	2030	2680	2.3	8.6	12.3	4.14	A+	4.23	5.88	1939
		7	7	18			2050	2050	5590			1530	9690	12170	510	2380	3320	2.3	10.1	15.2	4.08	A+	4.25	7.91	2607
		7	7	24			1780	1780	6300			1750	9860	12170	530	2420	3340	2.4	10.3	15.3	4.08	A+	4.25	7.91	2607
		7	9	9			2200	3300	3300			1320	8800	10740	490	2110	2920	2.2	9.0	13.4	4.18	A+	4.23	5.88	1939
		7	9	12			2200	3300	4000			1350	9500	11380	500	2350	3090	2.3	10.0	14.1	4.05	A+	4.25	7.91	2607
		7	9	18			1870	2810	5110			1530	9790	11850	510	2400	3230	2.3	10.2	14.8	4.08	A+	4.25	7.91	2607
		7	9	24			1650	2470	5850			1860	9970	12170	530	2440	3340	2.4	10.4	15.3	4.08	A+	4.25	7.91	2607
7		12	12			2090	3790	3790			1500	9670	12170	500	2370	3310	2.3	10.1	15.1	4.08	A+	4.25	7.91	2607	
7		12	18			1780	3230	4850			1720	9860	12170	520	2420	3320	2.4	10.3	15.2	4.07	A+	4.25	7.91	2607	
7		12	24			1580	2870	5590			1890	10040	12320	540	2440	3380	2.5	10.4	15.5	4.11	A+	4.25	7.91	2607	
7	18	18			1560	4250	4250			1860	10060	12320	530	2450	3380	2.4	10.4	15.5	4.10	A+	4.25	7.91	2607		
7	18	24			1490	4050	5270			2200	10810	12800	550	2610	3520	2.5	11.1	16.1	4.14	A+	4.25	7.91	2607		
7	24	24			1360	4820	4820			2280	11000	12960	570	2640	3590	2.6	11.2	16.4	4.16	A+	4.25	7.91	2607		
9	9	9			3210	3210	3210			1470	9630	11850	490	2360	3210	2.2	10.1	14.7	4.08	A+	4.23	5.88	1939		
9	9	12			3020	3020	3660			1500	9700	11530	500	2340	3140	2.3	10.0	14.4	4.15	A+	4.25	7.91	2607		
9	9	18			2590	2590	4710			1680	9890	12320	510	2410	3360	2.3	10.3	15.4	4.11	A+	4.25	7.91	2607		
9	9	24			2440	2440	5770			1860	10650	12480	530	2620	3420	2.4	11.2	15.7	4.07	A+	4.25	7.91	2607		
9	12	12			2850	3460	3460			1500	9770	11850	500	2340	3220	2.3	10.0	14.7	4.17	A+	4.25	7.91	2607		
9	12	18			2470	3000	4500			1820	9970	12170	520	2410	3320	2.4	10.3	15.2	4.14	A+	4.25	7.91	2607		

4. Combination Table

Outdoor unit	A	B	C	D	E	Heating Capacity					Capacity			Power Consumption			Current			Effic. NOM. Heating. At 7°C/20°C	SEASONAL EFFICIENCY (ACCORDING EN14825)	SCOP	P design		Qhe
						W					W			W			A						COP	Class	
						A	B	C	D	E	MIN	STD	MAX	MIN	STD	MAX	MIN	STD	MAX	MIN	STD	MAX			
AJ100RCJ5EG	3	Unit	9	12	24		2340	2840	5540			1890	10720	12480	540	2650	3430	2.5	11.3	15.7	4.05	A+	4.25	7.91	2607
			9	18	18		2320	4210	4210			1860	10740	12480	530	2650	3420	2.4	11.3	15.7	4.05	A+	4.25	7.91	2607
			9	18	24		2120	3860	5020			2200	11000	12960	550	2700	3570	2.5	11.5	16.3	4.08	A+	4.25	7.91	2607
			9	24	24		1920	4540	4540			2280	11000	13110	570	2290	3630	2.6	9.8	16.6	4.80	A+	4.25	7.91	2607
			12	12	12		3280	3280	3280			1680	9840	12170	510	2350	3310	2.3	10.0	15.1	4.18	A+	4.25	7.91	2607
			12	12	18		2870	2870	4300			1820	10040	12320	520	2440	3370	2.4	10.4	15.4	4.11	A+	4.25	7.91	2607
			12	12	24		2730	2730	5330			2160	10790	12800	540	2610	3510	2.5	11.1	16.1	4.13	A+	4.25	7.91	2607
			12	18	18		2700	4050	4050			2160	10800	12800	540	2610	3510	2.5	11.1	16.1	4.14	A+	4.25	7.91	2607
			12	18	24		2470	3710	4820			2240	11000	12960	560	2660	3570	2.6	11.3	16.3	4.13	A+	4.25	7.91	2607
			12	24	24		2240	4380	4380			2320	11000	13430	580	2660	3720	2.7	11.3	17.0	4.13	A+	4.25	7.91	2607
			18	18	18		3660	3670	3670			2200	11000	12960	550	2660	3570	2.5	11.3	16.3	4.13	A+	4.25	7.91	2607
	18	18	24		3330	3330	4340			2280	11000	13430	570	2660	3710	2.6	11.3	17.0	4.13	A+	4.25	7.91	2607		
	4	Unit	7	7	7	7	2200	2200	2200	2200		1400	8800	9800	520	2110	2700	2.4	9.0	12.4	4.18	A+	4.25	7.91	2607
			7	7	7	9	2140	2140	2140	3210		1560	9630	11380	520	2320	3120	2.4	9.9	14.3	4.15	A+	4.25	7.91	2607
			7	7	7	12	2010	2010	2010	3660		1590	9690	12170	530	2330	3330	2.4	9.9	15.2	4.15	A+	4.25	7.91	2607
			7	7	7	18	1730	1730	1730	4710		1780	9900	12170	540	2410	3350	2.5	10.3	15.3	4.11	A+	4.25	7.91	2607
			7	7	7	24	1630	1630	1630	5770		1960	10660	12320	560	2620	3410	2.6	11.2	15.6	4.07	A+	4.25	7.91	2607
			7	7	9	9	1950	1950	2920	2920		1560	9740	11530	520	2350	3160	2.4	10.0	14.5	4.15	A+	4.25	7.91	2607
			7	7	9	12	1840	1840	2760	3350		1590	9790	11850	530	2390	3250	2.4	10.2	14.9	4.09	A+	4.25	7.91	2607
			7	7	9	18	1610	1610	2410	4380		1890	10010	12170	540	2440	3350	2.5	10.4	15.3	4.11	A+	4.25	7.91	2607
			7	7	9	24	1530	1530	2290	5410		1960	10760	12480	560	2620	3450	2.6	11.2	15.8	4.10	A+	4.25	7.91	2607
			7	7	12	12	1750	1750	3190	3190		1750	9880	12170	530	2360	3340	2.4	10.1	15.3	4.19	A+	4.25	7.91	2607
			7	7	12	18	1630	1630	2960	4440		1930	10660	12320	550	2610	3390	2.5	11.1	15.5	4.09	A+	4.25	7.91	2607
			7	7	12	24	1470	1470	2670	5210		2280	10820	12800	570	2630	3540	2.6	11.2	16.2	4.11	A+	4.25	7.91	2607
			7	7	18	18	1460	1460	3970	3970		2240	10860	12800	560	2640	3530	2.6	11.2	16.2	4.11	A+	4.25	7.91	2607
			7	7	18	24	1330	1330	3630	4710		2320	11000	12960	580	2680	3600	2.7	11.4	16.5	4.10	A+	4.25	7.91	2607
7			9	9	9	1790	2690	2690	2690		1720	9860	12170	520	2390	3330	2.4	10.2	15.2	4.13	A+	4.25	7.91	2607	
7	9	9	12	1710	2560	2560	3100		1750	9930	12320	530	2410	3370	2.4	10.3	15.4	4.12	A+	4.25	7.91	2607			
7	9	9	18	1590	2380	2380	4330		1890	10680	12480	540	2620	3430	2.5	11.2	15.7	4.08	A+	4.25	7.91	2607			
7	9	9	24	1440	2160	2160	5100		2240	10860	12960	560	2670	3580	2.6	11.4	16.4	4.07	A+	4.25	7.91	2607			
7	9	12	12	1630	2440	2960	2960		1860	9990	12170	530	2440	3340	2.4	10.4	15.3	4.10	A+	4.25	7.91	2607			
7	9	12	18	1530	2290	2780	4170		1930	10770	12480	550	2640	3440	2.5	11.2	15.7	4.08	A+	4.25	7.91	2607			
7	9	12	24	1400	2100	2540	4960		2280	11000	12960	570	2680	3580	2.6	11.4	16.4	4.11	A+	4.25	7.91	2607			
7	9	18	18	1390	2070	3770	3770		2240	11000	12960	560	2680	3580	2.6	11.4	16.4	4.11	A+	4.25	7.91	2607			
7	9	18	24	1250	1880	3420	4450		2320	11000	13110	580	2680	3640	2.7	11.4	16.7	4.11	A+	4.25	7.91	2607			

4. Combination Table

Outdoor unit	A	B	C	D	E	Heating Capacity					Capacity			Power Consumption			Current			Effic. NOM. Heating. At 7°C/20°C	SEASONAL EFFICIENCY (ACCORDING EN14825)	SCOP	P design	Qhe	
						W					W			W			A								
						A	B	C	D	E	MIN	STD	MAX	MIN	STD	MAX	MIN	STD	MAX	MIN	STD	MAX	COP	Class	kW
AJ100RCJ5EG	4 Unit	7	12	12	12		1560	2830	2830	2830		1890	10050	12320	540	2420	3380	2.5	10.3	15.5	4.15	A+	4.25	7.91	2607
		7	12	12	18		1470	2670	2670	4010		2200	10820	12800	550	2650	3520	2.5	11.3	16.1	4.08	A+	4.25	7.91	2607
		7	12	12	24		1350	2440	2440	4770		2280	11000	12960	570	2680	3590	2.6	11.4	16.4	4.11	A+	4.25	7.91	2607
		7	12	18	18		1330	2410	3630	3630		2280	11000	12960	570	2680	3580	2.6	11.4	16.4	4.11	A+	4.25	7.91	2607
		7	12	18	24		1210	2200	3300	4290		2360	11000	13430	590	2680	3730	2.7	11.4	17.1	4.11	A+	4.25	7.91	2607
		7	18	18	18		1190	3270	3270	3270		2320	11000	13430	580	2680	3720	2.7	11.4	17.0	4.11	A+	4.25	7.91	2607
		9	9	9	9		2490	2490	2490	2490		1820	9960	12480	520	2310	3410	2.4	9.8	15.6	4.32	A+	4.32	7.91	2564
		9	9	9	12		2380	2380	2380	2880		1860	10020	12320	530	2340	3370	2.4	10.0	15.4	4.28	A+	4.25	7.91	2607
		9	9	9	18		2240	2240	2240	4080		2160	10800	12800	540	2610	3510	2.5	11.1	16.1	4.14	A+	4.25	7.91	2607
		9	9	9	24		2050	2050	2050	4850		2240	11000	12960	560	2680	3580	2.6	11.4	16.4	4.11	A+	4.25	7.91	2607
		9	9	12	12		2410	2410	2920	2920		1860	10660	12480	530	2510	3420	2.4	10.7	15.7	4.24	A+	4.25	7.91	2607
		9	9	12	18		2160	2160	2620	3930		2200	10870	12960	550	2630	3560	2.5	11.2	16.3	4.13	A+	4.25	7.91	2607
	9	9	12	24		1970	1970	2400	4660		2280	11000	13110	570	2680	3620	2.6	11.4	16.6	4.11	A+	4.25	7.91	2607	
	9	9	18	18		1950	1950	3550	3550		2240	11000	13110	560	2680	3620	2.6	11.4	16.6	4.11	A+	4.25	7.91	2607	
	9	9	18	24		1780	1780	3240	4200		2320	11000	13590	580	2680	3760	2.7	11.4	17.2	4.11	A+	4.25	7.91	2607	
	9	12	12	12		2320	2810	2810	2810		1890	10750	12480	540	2600	3430	2.5	11.1	15.7	4.13	A+	4.25	7.91	2607	
	9	12	12	18		2100	2540	2540	3820		2200	11000	12960	550	2680	3570	2.5	11.4	16.3	4.11	A+	4.25	7.91	2607	
	9	12	12	24		1910	2300	2300	4490		2280	11000	13110	570	2680	3630	2.6	11.4	16.6	4.11	A+	4.25	7.91	2607	
	9	12	18	18		1880	2280	3420	3420		2280	11000	13110	570	2680	3620	2.6	11.4	16.6	4.11	A+	4.25	7.91	2607	
	9	12	12	12		2700	2700	2700	2700		2160	10800	12800	540	2610	3510	2.5	11.1	16.1	4.14	A+	4.25	7.91	2607	
	9	12	12	18		2440	2440	2440	3680		2240	11000	12960	560	2680	3570	2.6	11.4	16.3	4.11	A+	4.25	7.91	2607	
	9	12	12	24		2220	2220	2220	4340		2320	11000	13430	580	2680	3720	2.7	11.4	17.0	4.11	A+	4.25	7.91	2607	
	9	12	18	18		2200	2200	3300	3300		2280	11000	13430	570	2680	3710	2.6	11.4	17.0	4.11	A+	4.25	7.91	2607	
	5 Unit	7	7	7	7	7	2200	2200	2200	2200	2200	1650	11000	13110	550	2560	3610	2.5	11.7	16.5	4.30	A+	4.25	7.91	2607
7		7	7	7	9	2080	2080	2080	2080	3120	1820	11440	12960	550	2670	3570	2.5	12.2	16.3	4.28	A+	4.25	7.91	2607	
7		7	7	7	12	1990	1990	1990	1990	3620	1850	11580	13110	560	2720	3610	2.6	12.4	16.5	4.26	A+	4.25	7.91	2607	
7		7	7	7	18	1710	1710	1710	1710	4660	2000	11500	13430	570	2700	3710	2.6	12.3	17.0	4.26	A+	4.25	7.91	2607	
7		7	7	7	24	1580	1580	1580	1580	5610	2360	11930	13750	590	2810	3810	2.7	12.8	17.4	4.24	A+	4.25	7.91	2607	
7		7	7	9	9	1950	1950	1950	2930	2930	1930	11710	13430	550	2750	3690	2.5	12.5	16.9	4.26	A+	4.25	7.91	2607	
7		7	7	9	12	1880	1880	1880	2820	3420	1960	11880	13110	560	2800	3610	2.6	12.7	16.5	4.24	A+	4.25	7.91	2607	
7		7	7	9	18	1630	1630	1630	2440	4450	2280	11780	13590	570	2790	3750	2.6	12.7	17.2	4.22	A+	4.25	7.91	2607	
7		7	7	9	24	1490	1490	1490	2240	5290	2360	12000	13900	590	2820	3860	2.7	12.8	17.7	4.26	A+	4.25	7.91	2607	
7		7	7	12	12	1730	1730	1730	3140	3140	1960	11470	13430	560	2680	3700	2.6	12.2	16.9	4.28	A+	4.25	7.91	2607	
7		7	7	12	18	1580	1580	1580	2880	4320	2320	11940	13750	580	2830	3800	2.7	12.9	17.4	4.22	A+	4.25	7.91	2607	
7		7	7	12	24	1430	1430	1430	2620	5090	2400	12000	14000	600	2830	3940	2.7	12.9	18.0	4.24	A+	4.25	7.91	2607	
7	7	7	18	18	1420	1420	1420	3870	3870	2360	12000	14000	590	2830	3940	2.7	12.9	18.0	4.24	A+	4.25	7.91	2607		
7	7	9	9	9	1840	1840	2760	2760	2760	1930	11960	13430	550	2810	3690	2.5	12.8	16.9	4.26	A+	4.25	7.91	2607		
7	7	9	9	12	1690	1690	2540	2540	3080	1960	11540	13590	560	2700	3740	2.6	12.3	17.1	4.28	A+	4.25	7.91	2607		
7	7	9	9	18	1550	1550	2330	2330	4240	2280	12000	13900	570	2820	3840	2.6	12.8	17.6	4.26	A+	4.25	7.91	2607		

4. Combination Table

Outdoor unit	A	B	C	D	E	Heating Capacity					Capacity			Power Consumption			Current			Effic. NOM. Heating. At 7°C/20°C	SEASONAL EFFICIENCY (ACCORDING EN14825)	SCOP	P design	Qhe		
						W					W			W			A									
						A	B	C	D	E	MIN	STD	MAX	MIN	STD	MAX	MIN	STD	MAX	MIN	STD	MAX	COP	Class	kW	kWh
AJ100RCJ5EG	5	Unit	7	7	9	9	24	1400	1400	2110	2110	4980	2360	12000	14000	590	2820	3940	2.7	12.8	18.0	4.26	A+	4.25	7.91	2607
			7	7	9	12	12	1640	1640	2470	2990	2990	2240	11730	13590	560	2750	3740	2.6	12.5	17.1	4.26	A+	4.25	7.91	2607
			7	7	9	12	18	1490	1490	2240	2710	4070	2320	12000	13900	580	2840	3840	2.7	12.9	17.6	4.22	A+	4.25	7.91	2607
			7	7	9	12	24	1350	1350	2040	2460	4800	2400	12000	14000	600	2840	3940	2.7	12.9	18.0	4.22	A+	4.25	7.91	2607
			7	7	9	18	18	1340	1340	2020	3650	3650	2360	12000	14000	590	2840	3940	2.7	12.9	18.0	4.22	A+	4.25	7.91	2607
			7	7	12	12	12	1600	1600	2900	2900	2900	2280	11900	13750	570	2780	3790	2.6	12.6	17.3	4.28	A+	4.25	7.91	2607
			7	7	12	12	18	1430	1430	2610	2610	3920	2320	12000	14000	580	2840	3930	2.7	12.9	18.0	4.22	A+	4.25	7.91	2607
			7	9	9	9	9	1670	2500	2500	2500	2500	1930	11670	13590	550	2720	3730	2.5	12.4	17.1	4.29	A+	4.25	7.91	2607
			7	9	9	9	12	1620	2420	2420	2420	2940	2240	11820	13750	560	2760	3780	2.6	12.6	17.3	4.28	A+	4.25	7.91	2607
			7	9	9	9	18	1460	2190	2190	2190	3970	2280	12000	14000	570	2830	3920	2.6	12.9	17.9	4.24	A+	4.25	7.91	2607
			7	9	9	9	24	1330	1990	1990	1990	4700	2360	12000	14000	590	2830	3940	2.7	12.9	18.0	4.24	A+	4.25	7.91	2607
			7	9	9	12	12	1570	2350	2360	2860	2860	2240	12000	13900	560	2820	3830	2.6	12.8	17.5	4.26	A+	4.25	7.91	2607
			7	9	9	12	18	1400	2110	2110	2550	3830	2320	12000	14000	580	2870	3920	2.7	13.0	17.9	4.18	A+	4.25	7.91	2607
			7	9	9	12	24	1290	1920	1920	2330	4540	2400	12000	14000	600	2870	3940	2.7	13.0	18.0	4.18	A+	4.25	7.91	2607
			7	9	9	18	18	1280	1900	1900	3460	3460	2360	12000	14000	590	2860	3940	2.7	13.0	18.0	4.20	A+	4.25	7.91	2607
			7	9	12	12	12	1520	2260	2740	2740	2740	2280	12000	13900	570	2850	3830	2.6	12.9	17.5	4.21	A+	4.25	7.91	2607
			7	9	12	12	18	1360	2030	2460	2460	3690	2320	12000	14000	580	2850	3930	2.7	12.9	18.0	4.21	A+	4.25	7.91	2607
			7	12	12	12	12	1440	2640	2640	2640	2640	2280	12000	14000	570	2830	3920	2.6	12.9	17.9	4.24	A+	4.25	7.91	2607
			9	9	9	9	9	2400	2400	2400	2400	2400	3400	12000	14000	550	2820	3900	2.5	12.8	17.8	4.26	A+	4.25	7.91	2607
			9	9	9	9	12	2300	2300	2300	2300	2800	2240	12000	13900	560	2820	3820	2.6	12.8	17.5	4.25	A+	4.25	7.91	2607
			9	9	9	9	18	2060	2060	2060	2060	3760	2280	12000	14000	570	2840	3920	2.6	12.9	17.9	4.23	A+	4.25	7.91	2607
			9	9	9	9	24	1890	1890	1890	1890	4440	2360	12000	14000	590	2840	3940	2.7	12.9	18.0	4.23	A+	4.25	7.91	2607
			9	9	9	12	12	2210	2210	2210	2680	2690	2240	12000	14000	560	2840	3910	2.6	12.9	17.9	4.23	A+	4.25	7.91	2607
			9	9	9	12	18	1990	1990	1990	2410	3620	2320	12000	14000	580	2830	3920	2.7	12.9	17.9	4.24	A+	4.25	7.91	2607
9	9	12	12	12	2130	2130	2580	2580	2580	2280	12000	14000	570	2840	3910	2.6	12.9	17.9	4.23	A+	4.25	7.91	2607			
9	9	12	12	18	1920	1920	2330	2330	3500	3400	12000	14000	580	2850	3930	2.7	12.9	18.0	4.21	A+	4.25	7.91	2607			
9	12	12	12	12	2040	2490	2490	2490	2490	2280	12000	14000	570	2850	3920	2.6	12.9	17.9	4.21	A+	4.25	7.91	2607			

NOTE

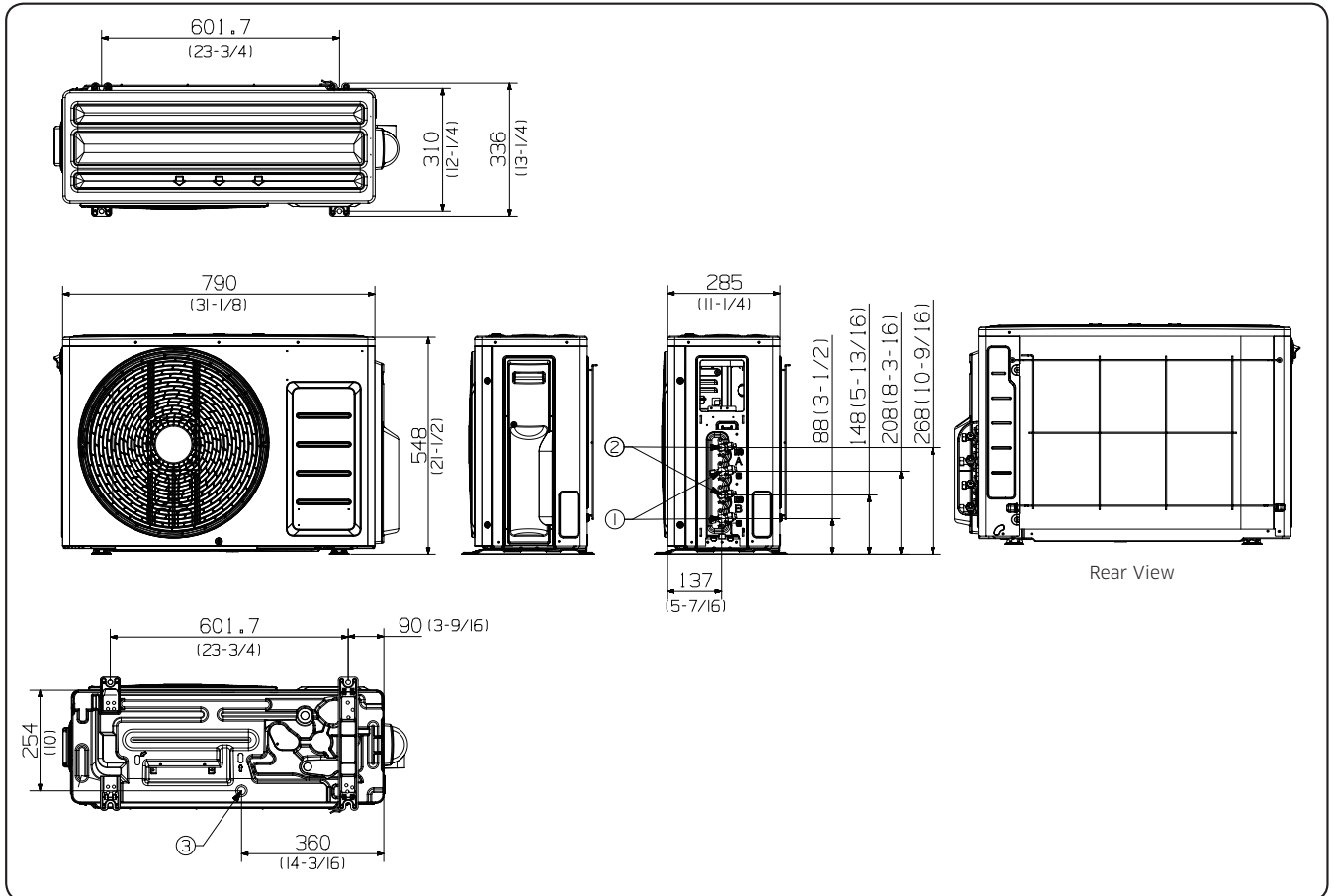
- EER and COP declared only for the purpose of tax deductions in force at the time of the creation of this catalog.
- The above is the value for connecting with the following indoor units.
 - A3050 Good1 : AR07MXWSAWK, AR09MXWSAWK, AR12MXWSAWK
 - Wind Free : AR18RXPXBWK, AR24RXPXBWK
- You can not connect a single unit.
- Power consumption include indoor unit power.

5. Dimensional Drawing

5-1. Outdoor units

- AJ040/050NCJ2EG**

Unit : mm [inches]



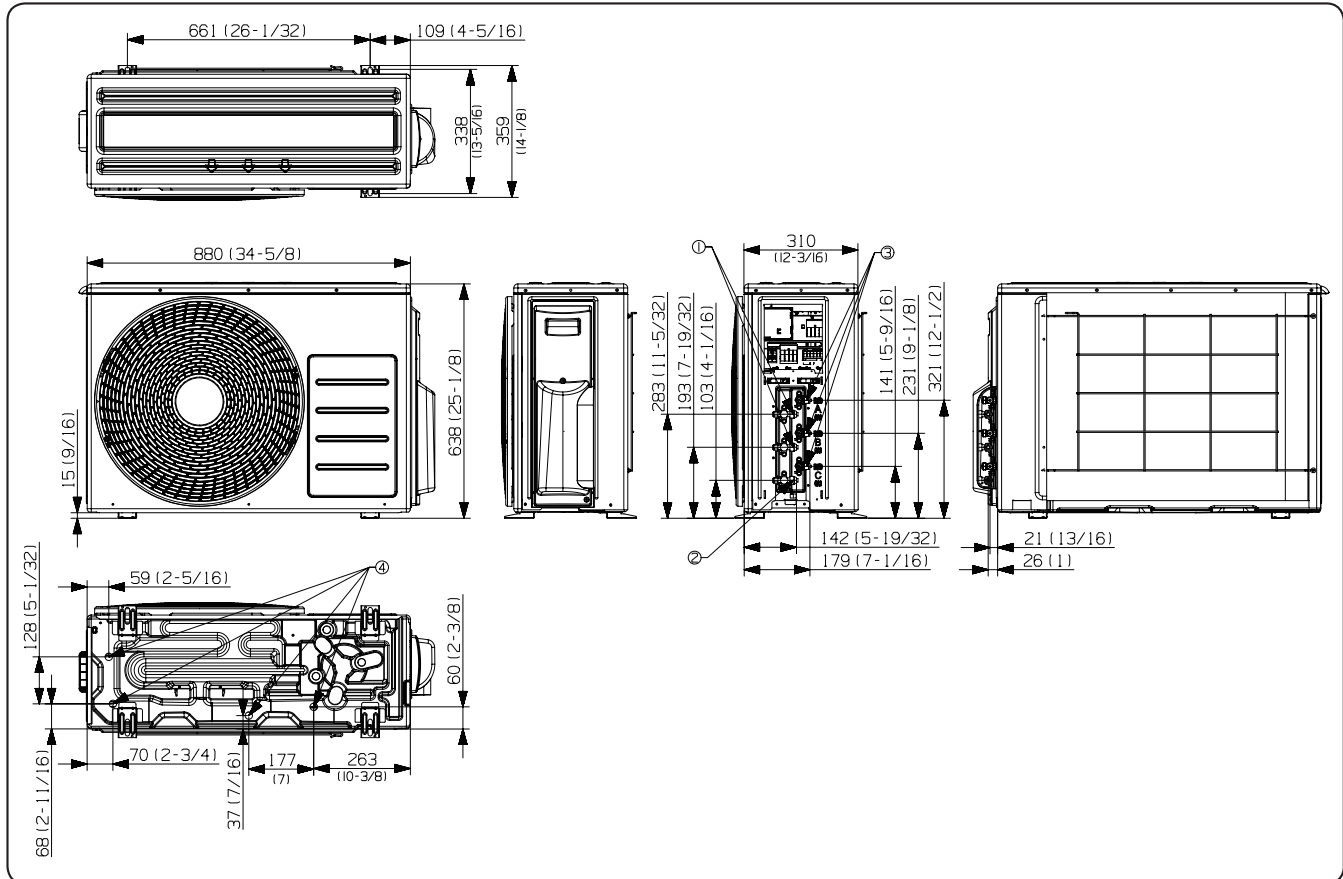
NO	Name	Description
1	Refrigerant gas pipe	Φ9.52 (Φ3/8) X 2EA
2	Refrigerant liquid pipe	Φ6.35 (Φ1/4) X 2EA
3	Drain hole	Connection with the provided drain plug.

5. Dimensional Drawing

5-1. Outdoor units

- AJ052RCJ3EG**

Unit : mm [inches]



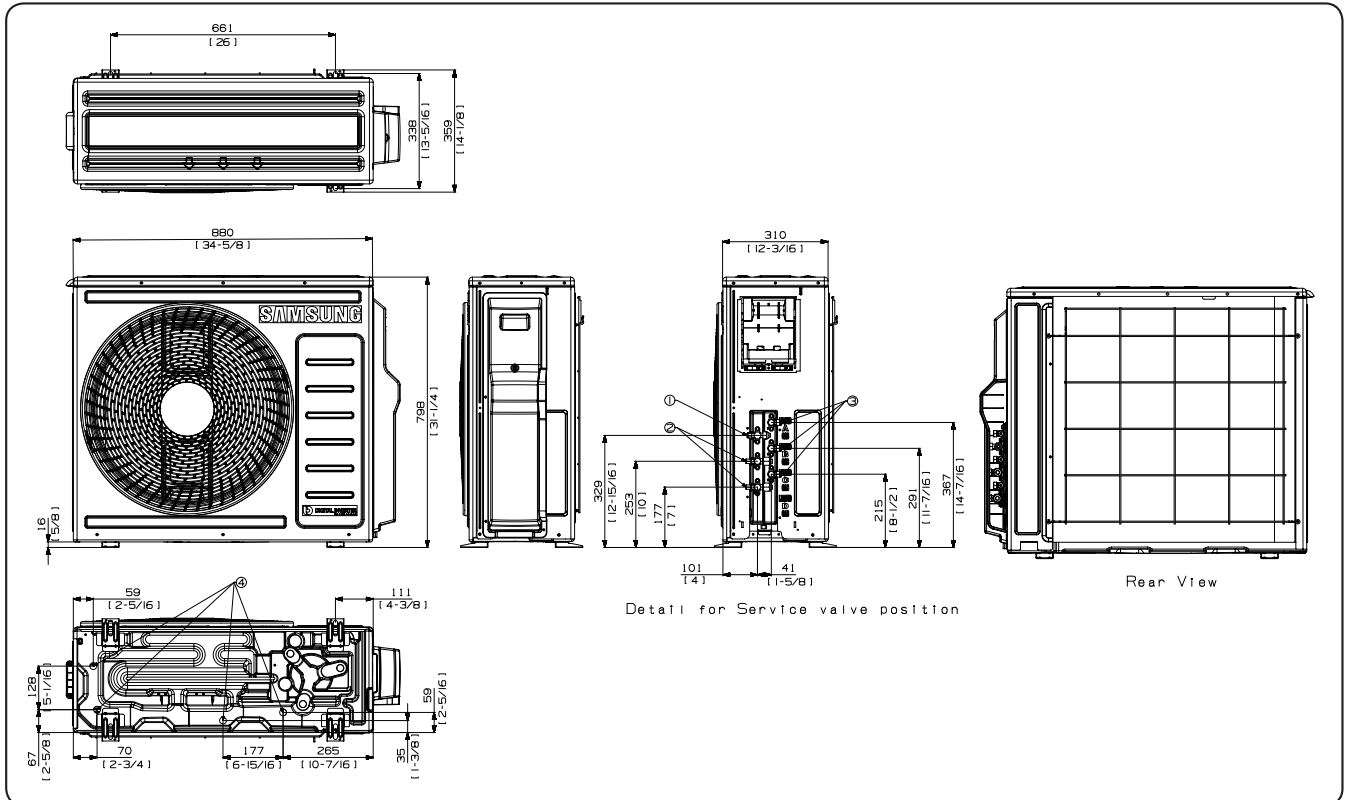
NO	Name	Description
1	Refrigerant gas pipe	Φ9.52 (Φ3/8) x 2 EA
2		Φ12.7 (Φ1/2) x 1 EA
3	Refrigerant liquid pipe	Φ6.35 (Φ1/4) X 3EA
4	Drain hole	Connection with the provided drain plug.

5. Dimensional Drawing

5-1. Outdoor units

- AJ068RCJ3EG**

Unit : mm [inches]



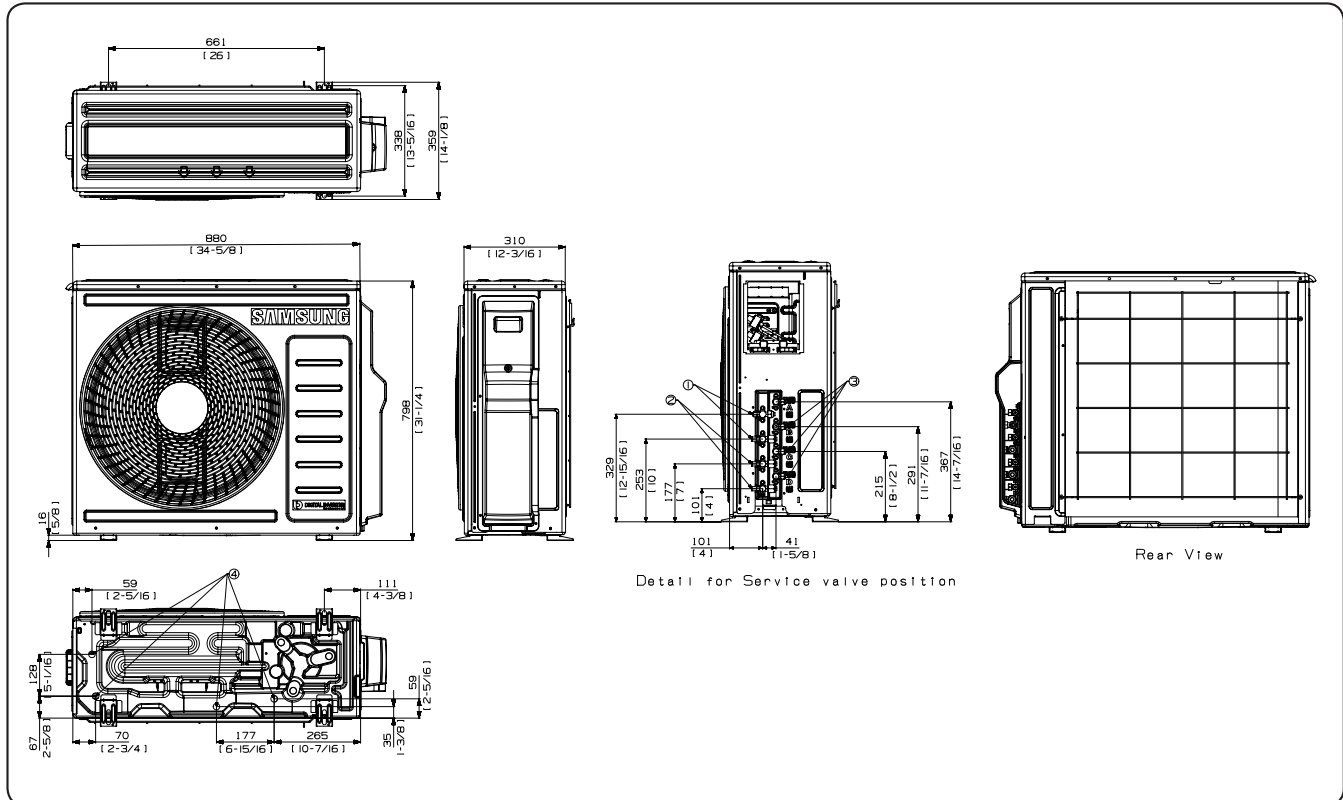
NO	Name	Description
1	Refrigerant gas pipe	Φ9.52 (Φ3/8) x 1 EA
2		Φ12.7 (Φ1/2) x 2 EA
3	Refrigerant liquid pipe	Φ6.35 (Φ1/4) X 3 EA
4	Drain hole	Connection with the provided drain plug.

5. Dimensional Drawing

5-1. Outdoor units

- AJ080RCJ4EG/EU

Unit : mm [inches]



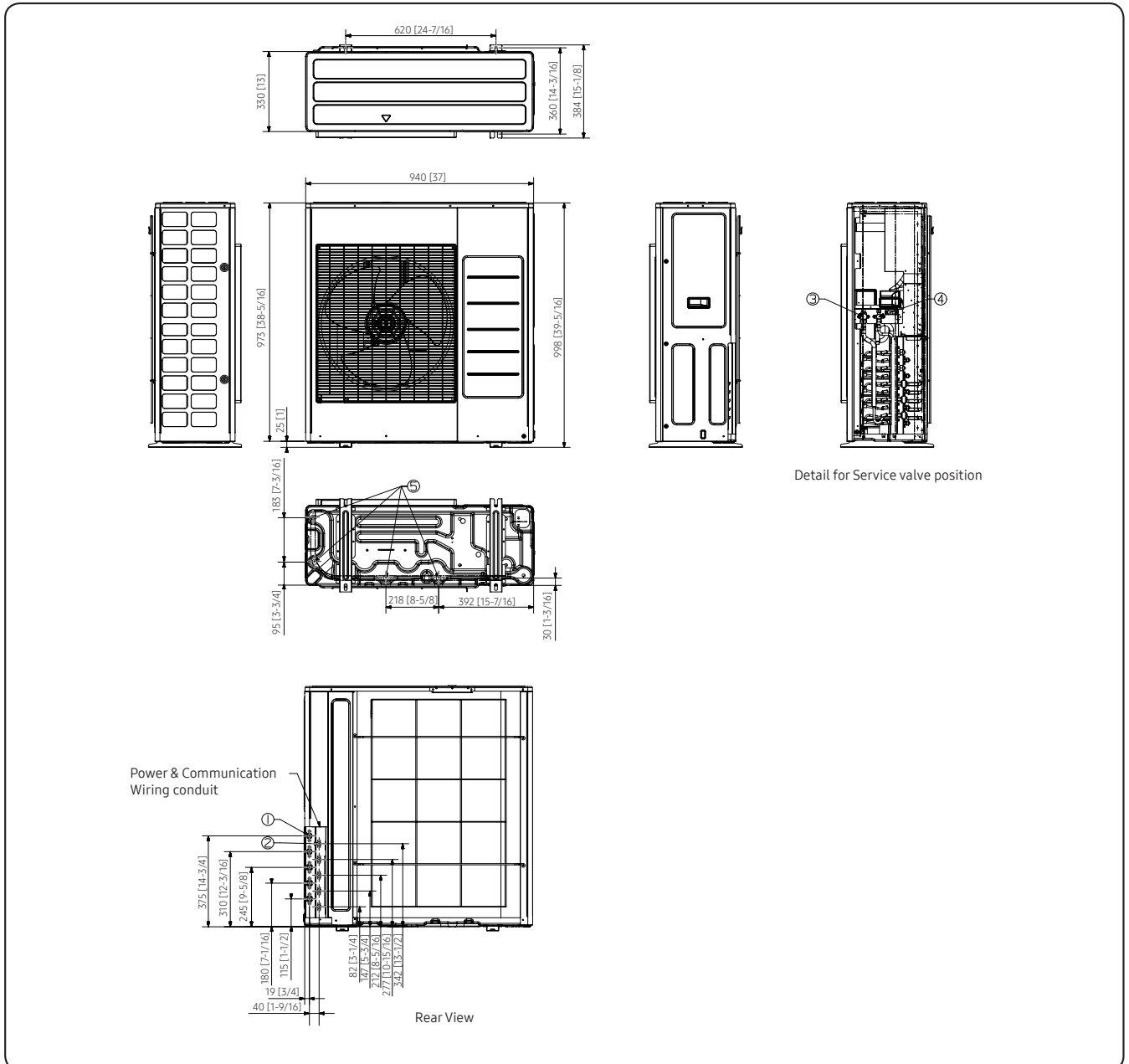
NO	Name	Description
1	Refrigerant gas pipe	Φ9.52 (Φ3/8) x 2 EA
2		Φ12.7 (Φ1/2) x 2 EA
3	Refrigerant liquid pipe	Φ6.35 (Φ1/4) X 4 EA
4	Drain hole	Connection with the provided drain plug.

5. Dimensional Drawing

5-1. Outdoor units

- AJ100RCJ5EG**

Unit : mm [inches]



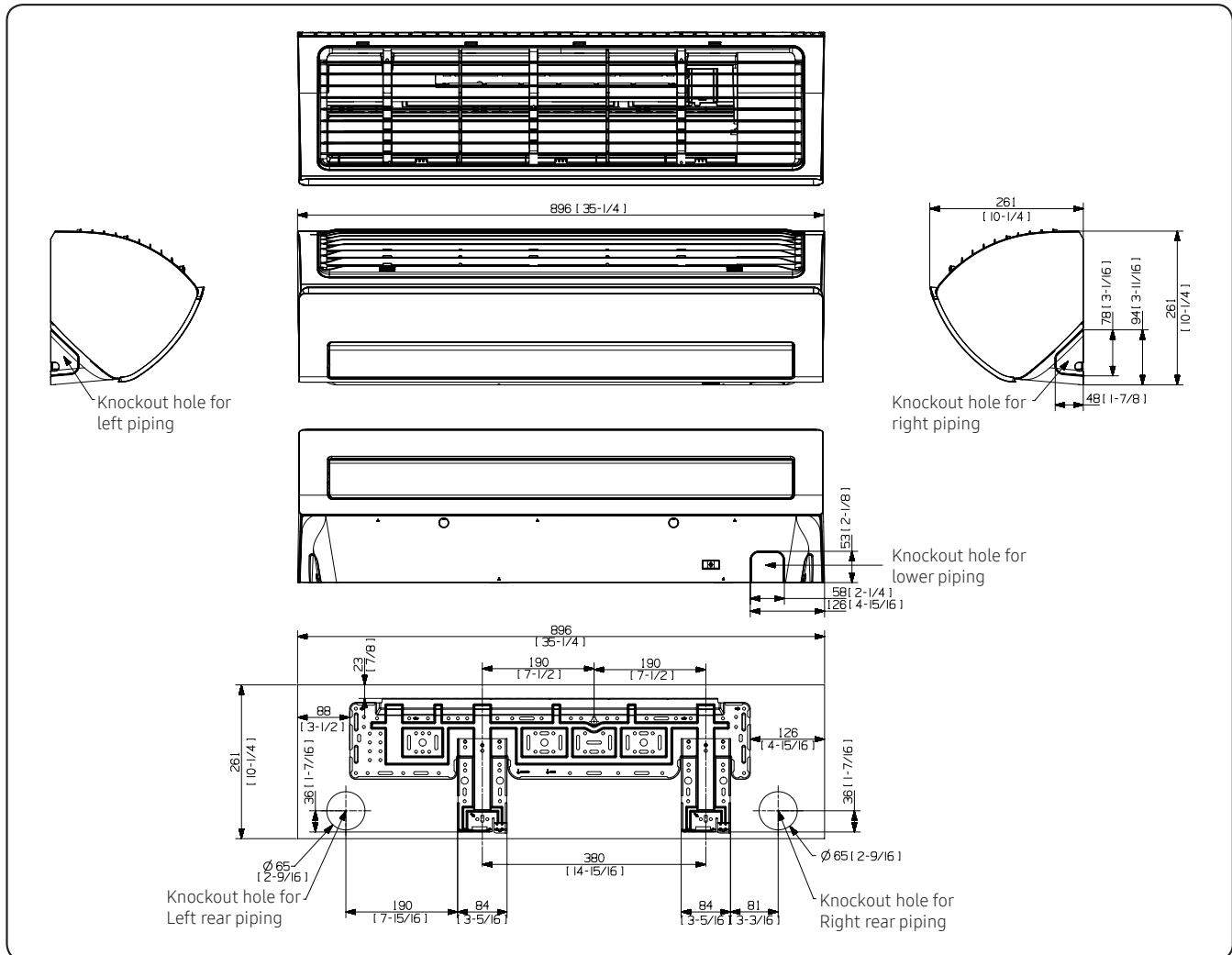
NO	Name	Description
1	Refrigerant gas pipe	Φ9.52 (Φ3/8) x 2EA, Φ12.7 (Φ1/2) x 3EA
2	Refrigerant liquid pipe	Φ6.35 (Φ1/4) x 5EA
3	Service vlave (gas)	5/8"
4	Service vlave (liquid)	3/8"
5	Drain hole	Connection with the provided drain plug.

5. Dimensional Drawing

5-2. Indoor unit

1 A3050 Good1 : AR07/09/12MXWSAWKN**

Unit : mm [inches]



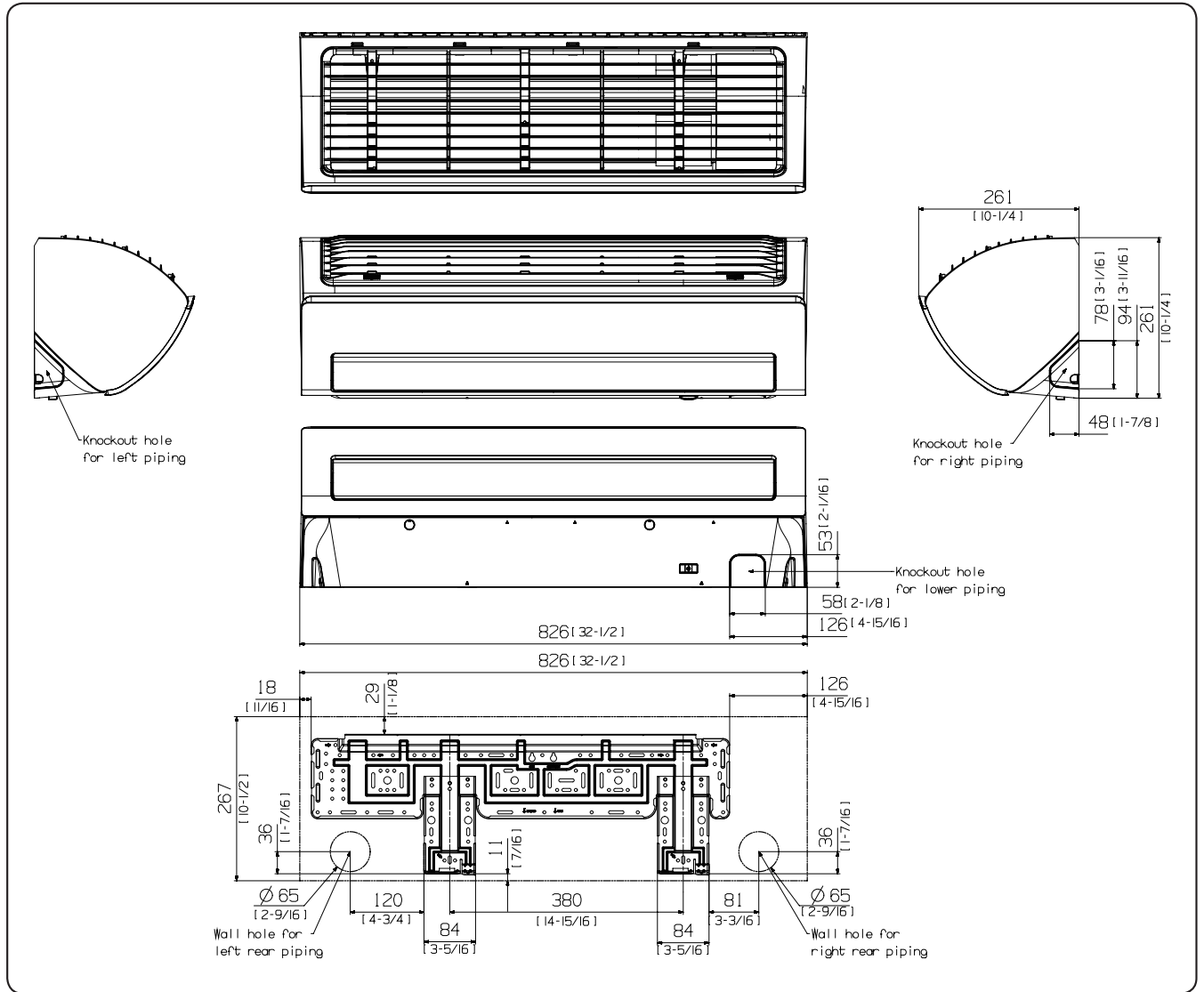
NO	Name	Description
		2.0, 2.5, 3.5kW
1	Liquid pipe connection	$\varnothing 6.35$ ($\varnothing 1/4$)
2	Gas pipe connection	$\varnothing 9.52$ ($\varnothing 3/8$)
3	Drain pipe connection	ID 18mm Hose
4	Power & Communication wiring conduit	-

5. Dimensional Drawing

5-2. Indoor unit

2 A3050 Good1 : AR07/09/12NXWSAURN**, AR07/09/12RXWSAURN**

Unit : mm [inches]



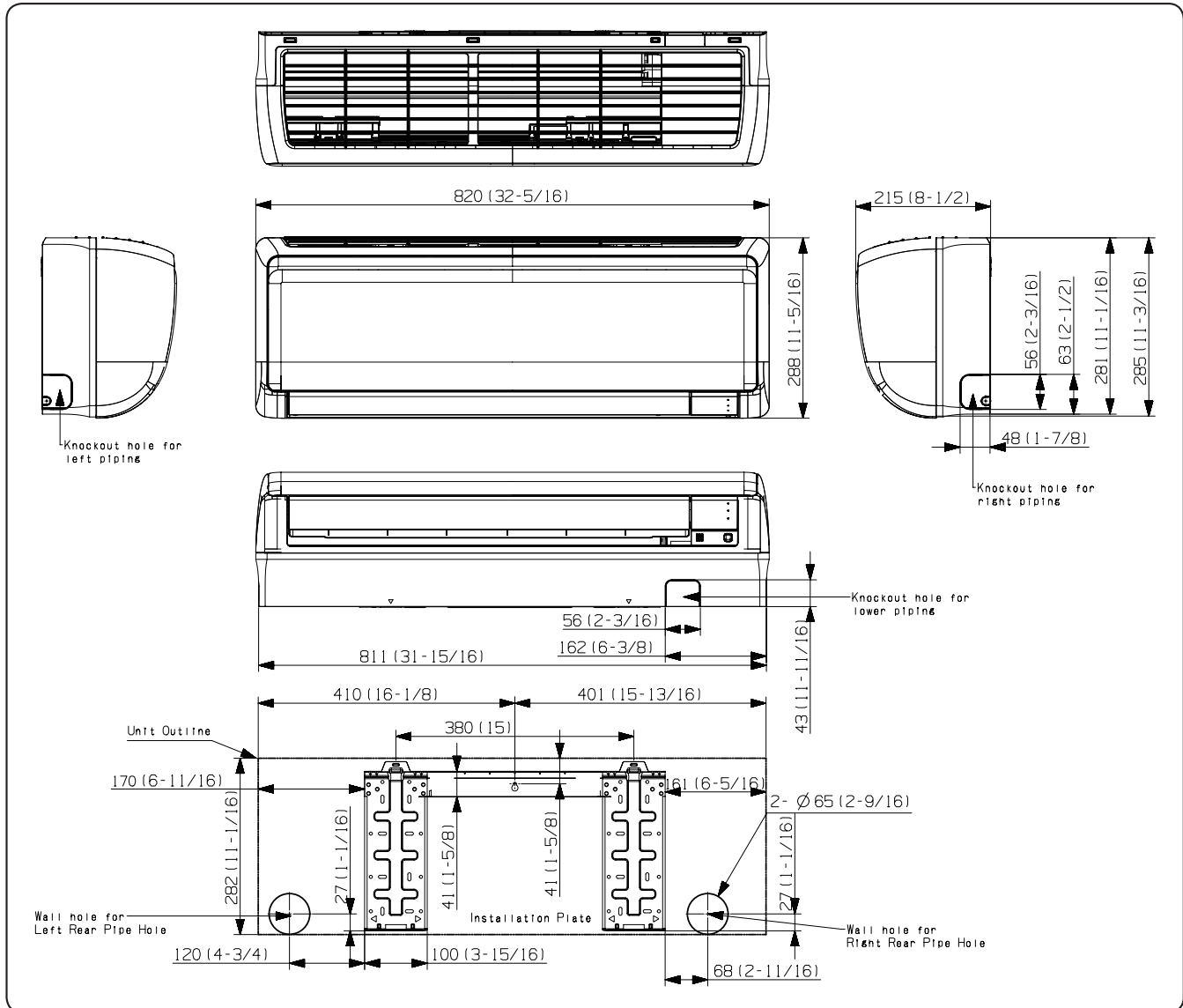
NO	Name	Description
		2.0, 2.5, 3.5kW
1	Liquid pipe connection	$\varnothing 6.35$ ($\varnothing 1/4$)
2	Gas pipe connection	$\varnothing 9.52$ ($\varnothing 3/8$)
3	Drain pipe connection	ID18mm Hose
4	Power & Communication wiring conduit	-

5. Dimensional Drawing

5-2. Indoor unit

3 Maldives : AR07/09/12NXFPEWQN**, AR07/09/12RXFPEWQN**

Unit : mm [inches]



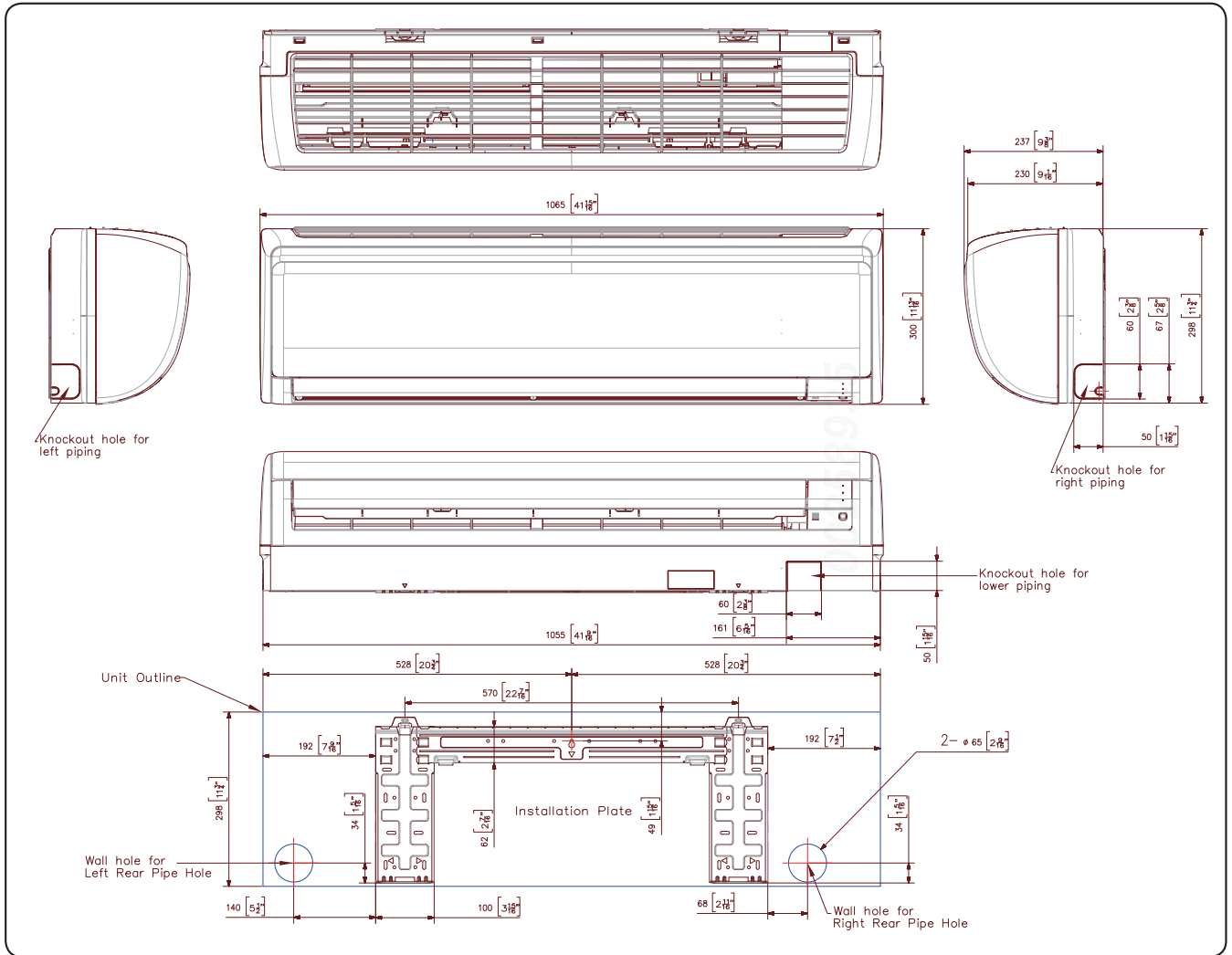
NO	Name	Description
		2.0, 2.5, 3.5kW
1	Liquid pipe connection	Φ6.35 (Φ1/4)
2	Gas pipe connection	Φ9.52 (Φ3/8)
3	Drain pipe connection	ID 18mm Hose
4	Power & Communication wiring conduit	-

5. Dimensional Drawing

5-2. Indoor unit

4 Maldives : AR18/24RXFPEWQN**

Unit : mm [inches]



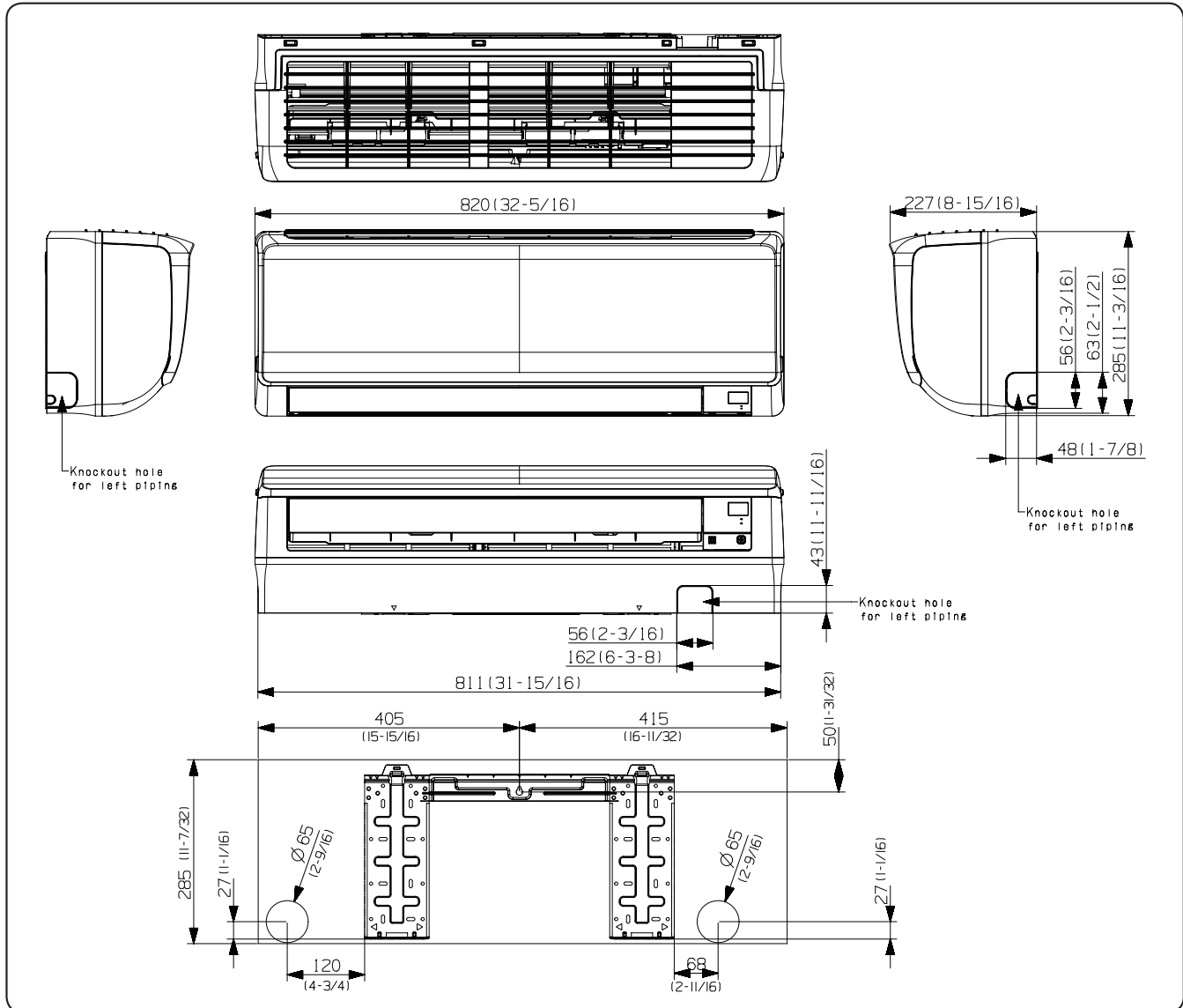
NO	Name	Description	
		5.0 kW	6.5kW
1	Liquid pipe connection	Φ6.35 (Φ1/4)	
2	Gas pipe connection	Φ12.7 (Φ1/2)	Φ15.88 (Φ5/8)
3	Drain pipe connection	ID18mm Hose	
4	Power & Communication wiring conduit	-	

5. Dimensional Drawing

5-2. Indoor unit

5 New Boracay : AR07/09/12NXFHBWKN**

Unit : mm [inches]



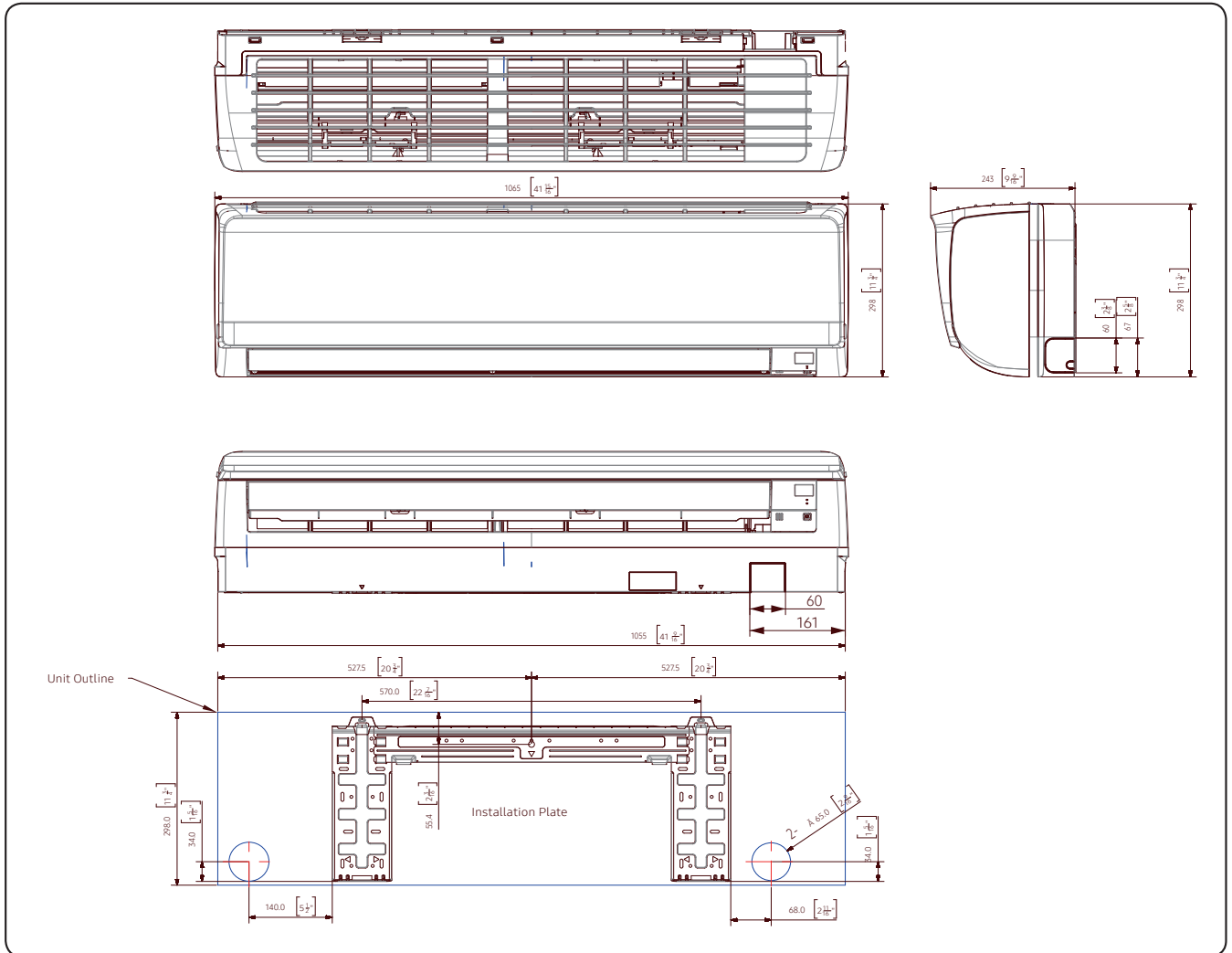
NO	Name	Description
		2.0, 2.5, 3.5kW
1	Liquid pipe connection	Φ6.35 (Φ1/4)
2	Gas pipe connection	Φ9.52 (Φ3/8)
3	Drain pipe connection	ID18mm Hose
4	Power & Communication wiring conduit	-

5. Dimensional Drawing

5-2. Indoor unit

6 New Boracay : AR18/24RXFHBWKN**

Unit : mm [inches]



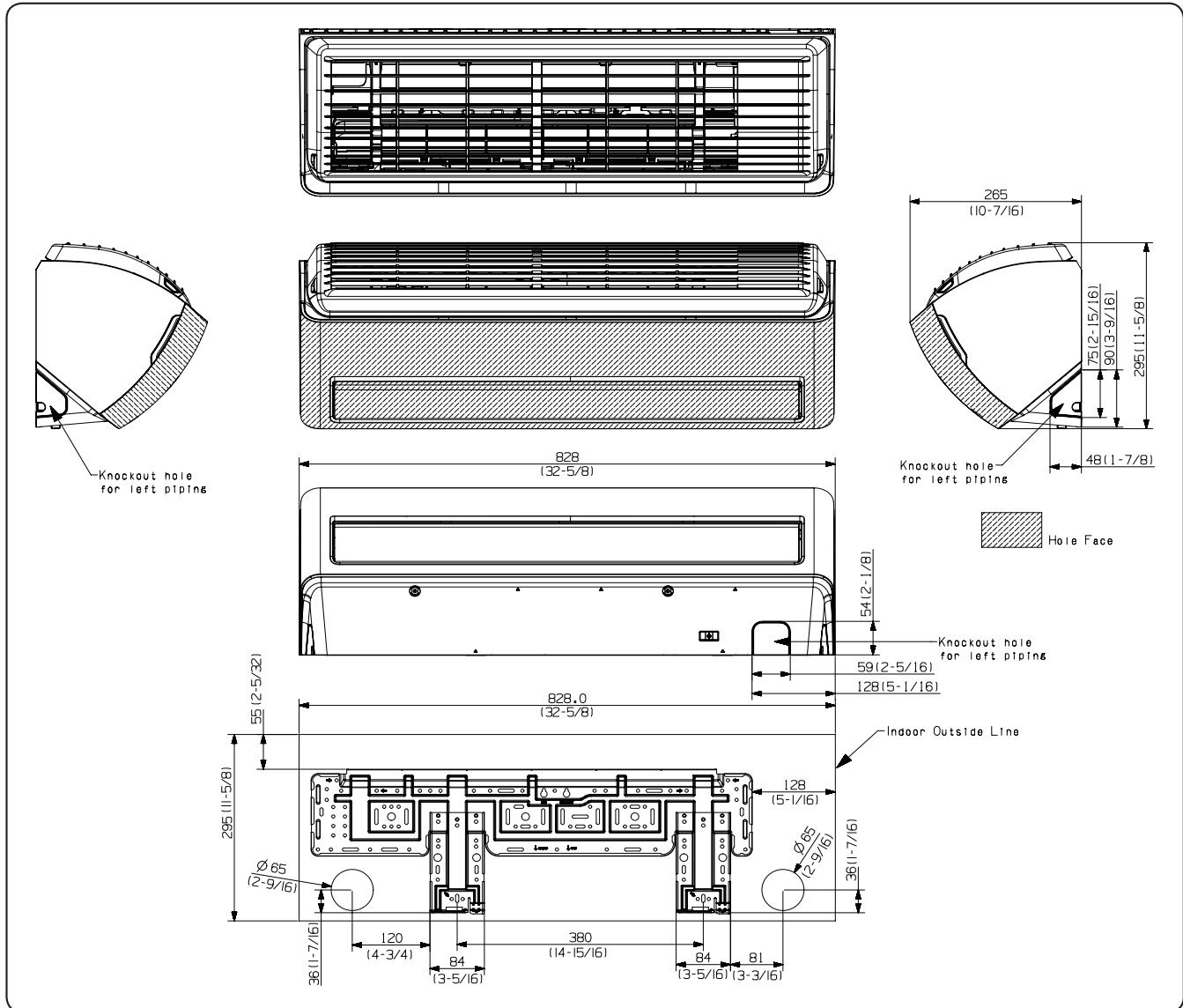
NO	Name	Description	
		5.0 kW	6.5kW
1	Liquid pipe connection	Φ6.35 (Φ1/4)	
2	Gas pipe connection	Φ12.7 (Φ1/2)	Φ15.88 (Φ5/8)
3	Drain pipe connection	ID18mm Hose	
4	Power & Communication wiring conduit	-	

5. Dimensional Drawing

5-2. Indoor unit

7 Wind-Free : AR07/09/12NXCXAWKN**

Unit : mm [inches]



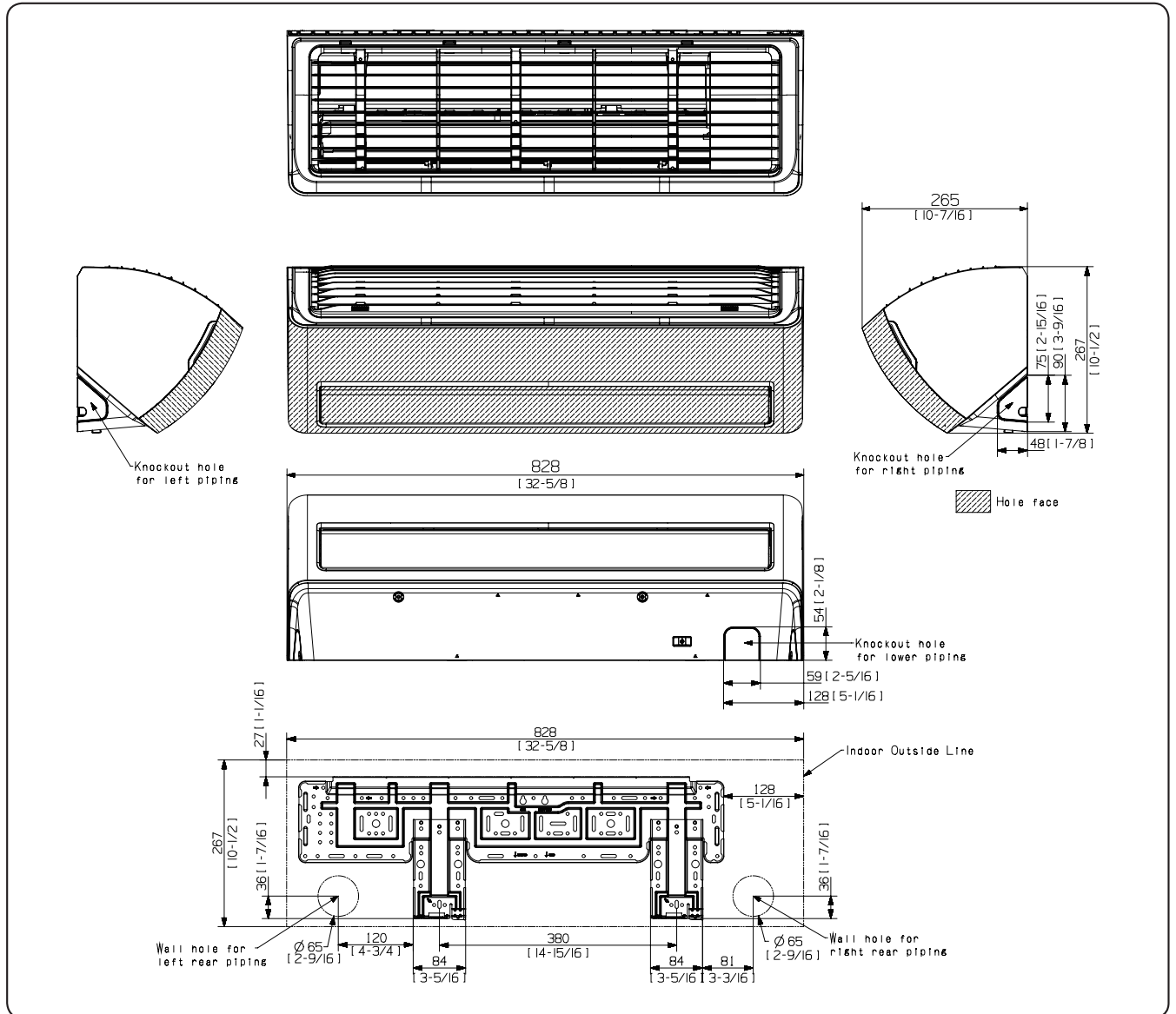
NO	Name	Description
		2.0, 2.5, 3.5kW
1	Liquid pipe connection	Φ6.35 (Φ1/4)
2	Gas pipe connection	Φ9.52 (Φ3/8)
3	Drain pipe connection	ID18mm Hose
4	Power & Communication wiring conduit	-

5. Dimensional Drawing

5-2. Indoor unit

8 Wind-Free : AR07/09/12NXPXBWKN**, AR07/09/12NXWXBWKN**, AR07/09/12NXWXCWKN**

Unit : mm [inches]



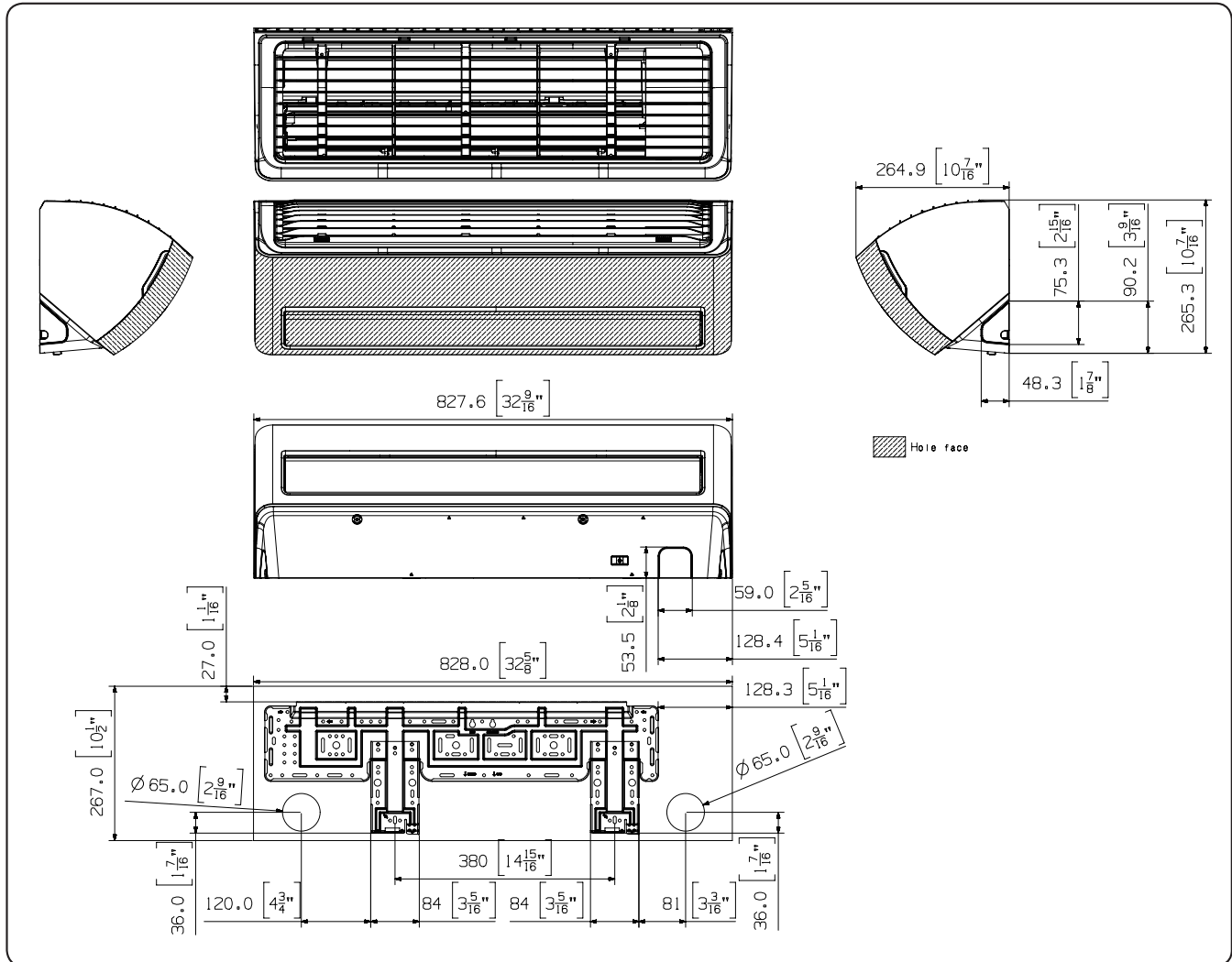
NO	Name	Description
		2.0, 2.5, 3.5kW
1	Liquid pipe connection	Φ6.35 (Φ1/4)
2	Gas pipe connection	Φ9.52 (Φ3/8)
3	Drain pipe connection	ID18mm Hose
4	Power & Communication wiring conduit	-

5. Dimensional Drawing

5-2. Indoor unit

9 Wind-Free : AR07/09/12RXPXBWKN**, AR07/09/12RXWXCWKN**

Unit : mm [inches]



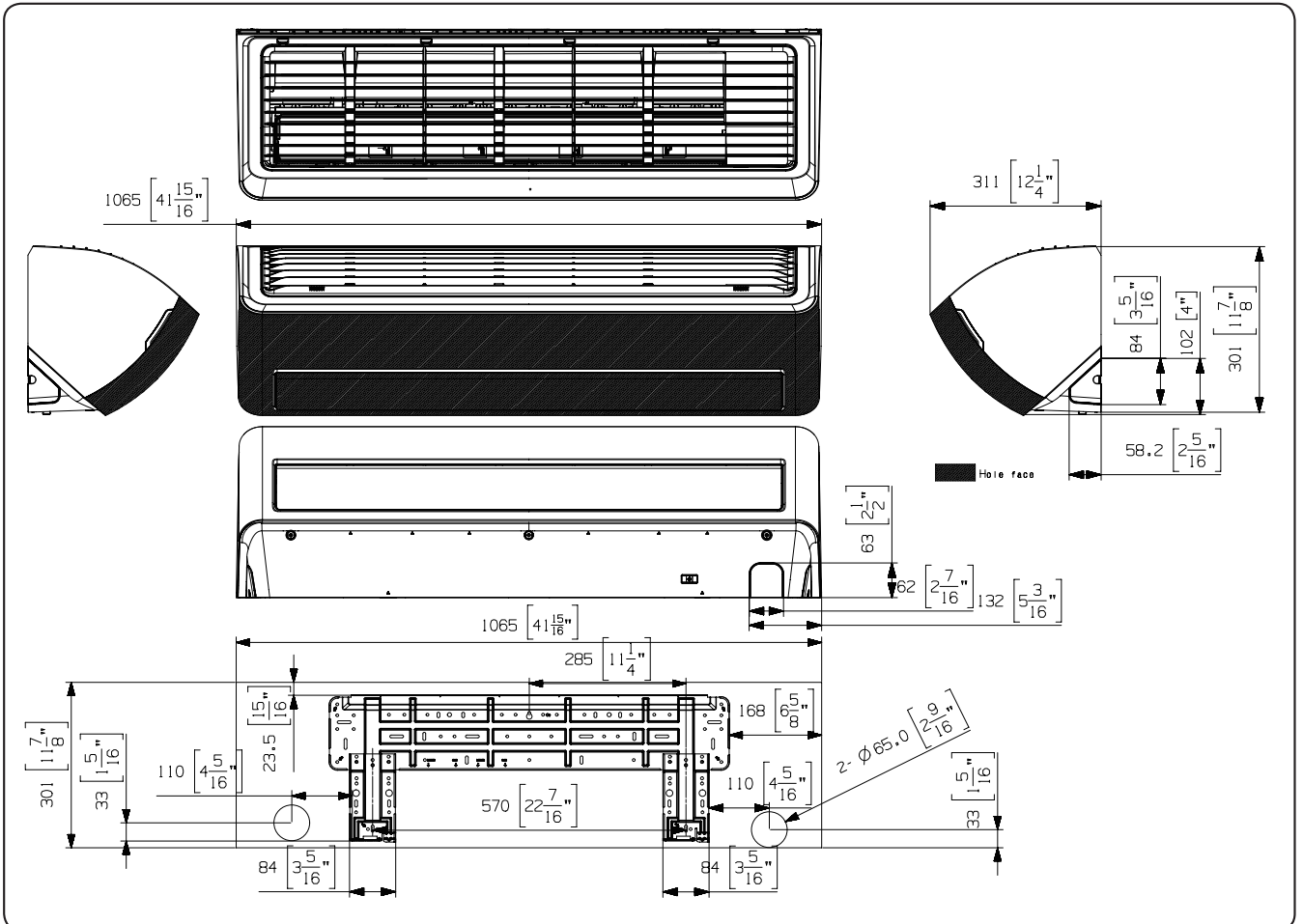
NO	Name	Description
		2.0, 2.5, 3.5kW
1	Liquid pipe connection	Φ6.35 (Φ1/4)
2	Gas pipe connection	Φ9.52 (Φ3/8)
3	Drain pipe connection	ID18mm Hose
4	Power & Communication wiring conduit	-

5. Dimensional Drawing

5-2. Indoor unit

10 Wind-Free : AR18/24RXPXBWKN**, AR18/24RXWXCWKN**

Unit : mm [inches]



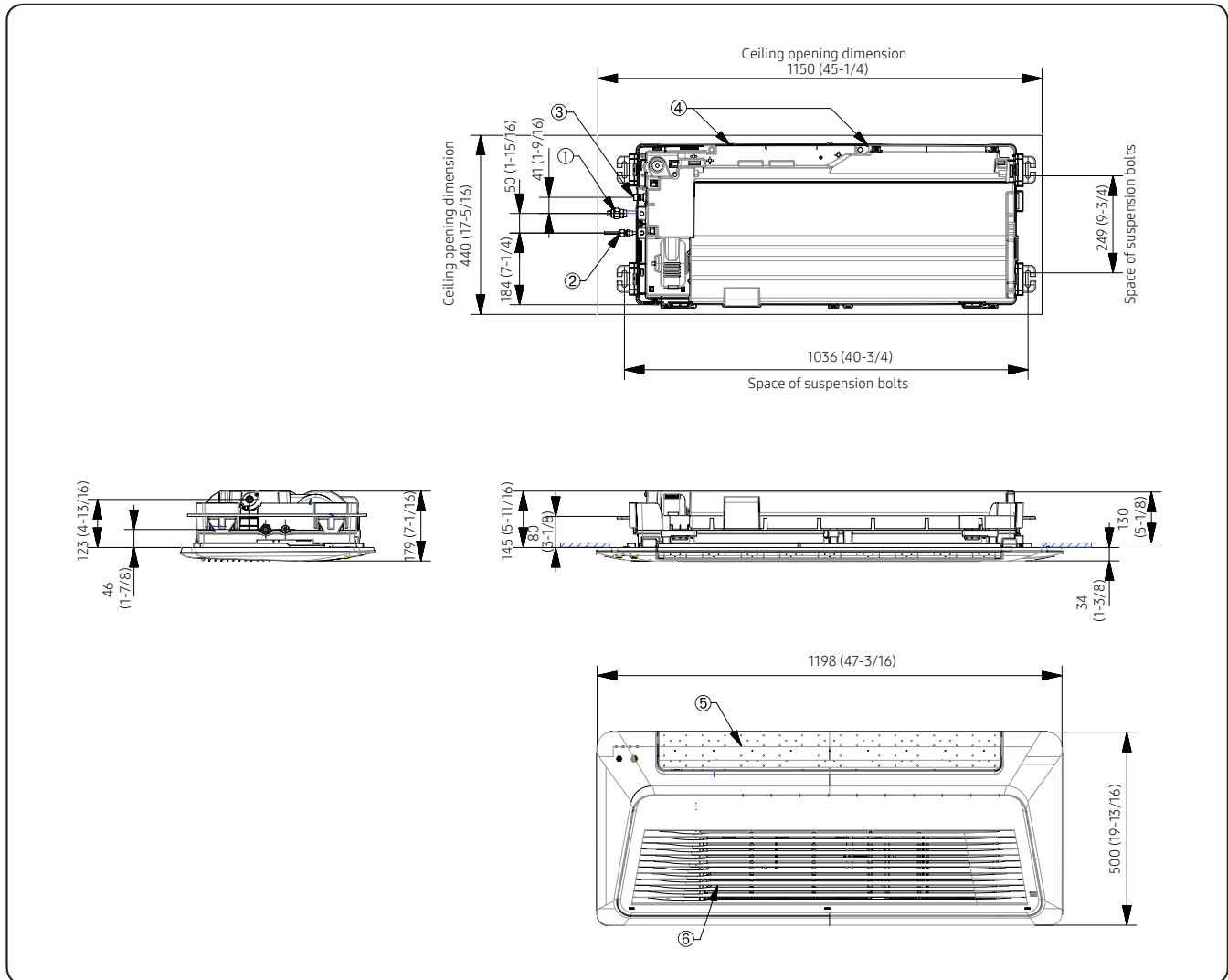
NO	Name	Description	
		5.0 kW	6.5kW
1	Liquid pipe connection	Φ6.35 (Φ1/4)	
2	Gas pipe connection	Φ12.7 (Φ1/2)	Φ15.88 (Φ5/8)
3	Drain pipe connection	ID18mm Hose	
4	Power & Communication wiring conduit	-	

5. Dimensional Drawing

5-2. Indoor unit

11 Wind-Free 1Way Cassette : AJ026/035RB1DEG**

Units : mm [inches]



No	Name	Description	No	Name	Description
1	Gas pipe connection	Ø12.7 (1/2")	5	Air outlet louver	-
2	Liquid pipe connection	Ø6.35 (1/4")	6	Air inlet grille	-
3	Drain hose connection	VP20 (OD26, ID20)			
4	Power supply/Communication wiring conduit	-			

NOTE

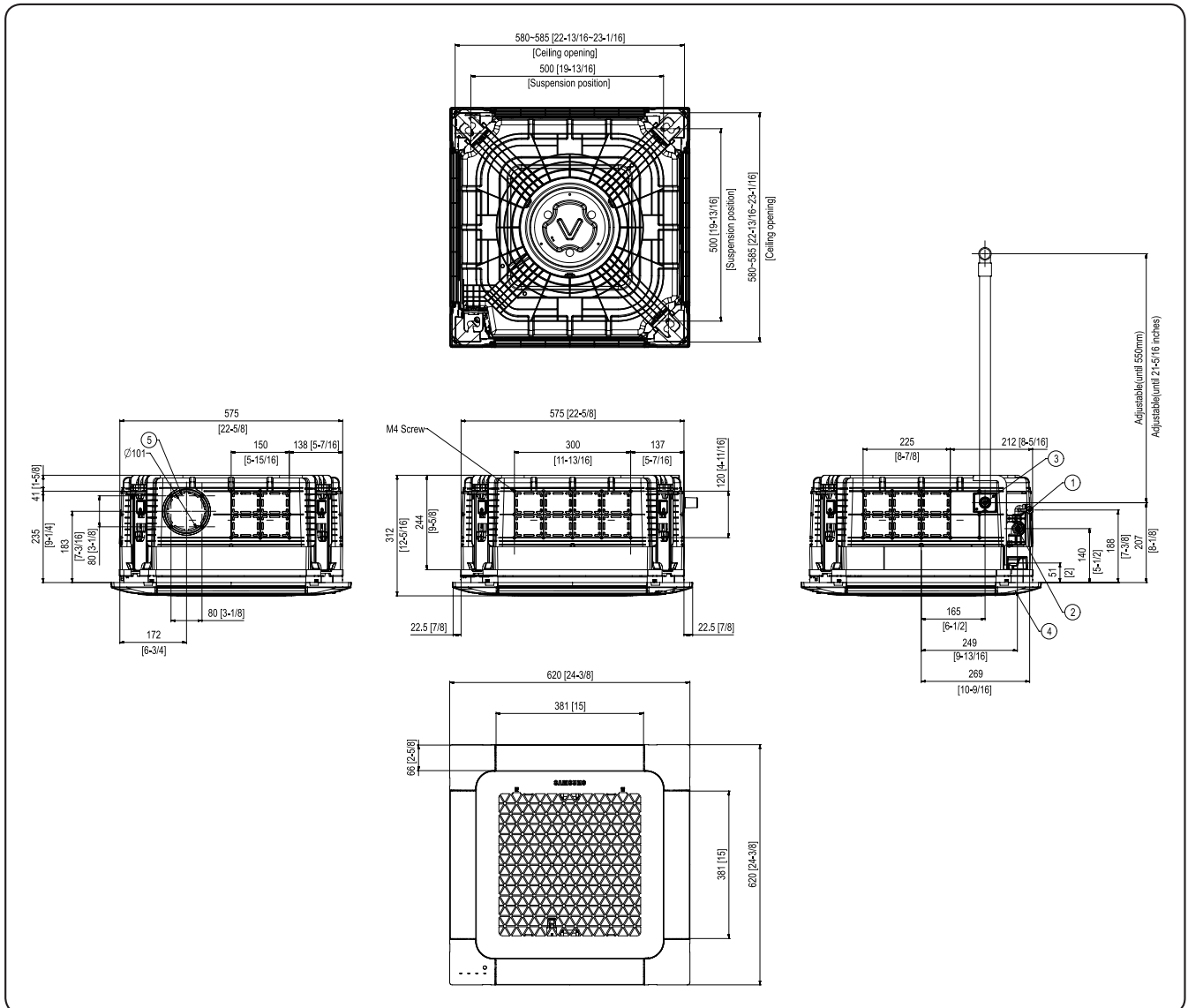
- As for suspension bolt, please use M8 ~ 10. (Produced at local site)

5. Dimensional Drawing

5-2. Indoor unit

12 Wind-Free 4Way Cassette (600x600) : AJ016/020/026/035/052RBNDEG**

Units : mm [inches]



NO	Name	Description				
		1.6 kW	2.0 kW	2.6 kW	3.5 kW	5.2 kW
1	Liquid pipe connection	Φ6.35 (1/4)				
2	Gas pipe connection	Φ9.52 (3/8)				Φ12.7(1/2)
3	Drain pipe connection	VP-25 (OD 32 mm, ID 25 mm)				
4	Power & Communication wiring conduit	-				
5	Knock hole for Fresh air intake	Φ101(4), Use M4 Screw				

NOTE

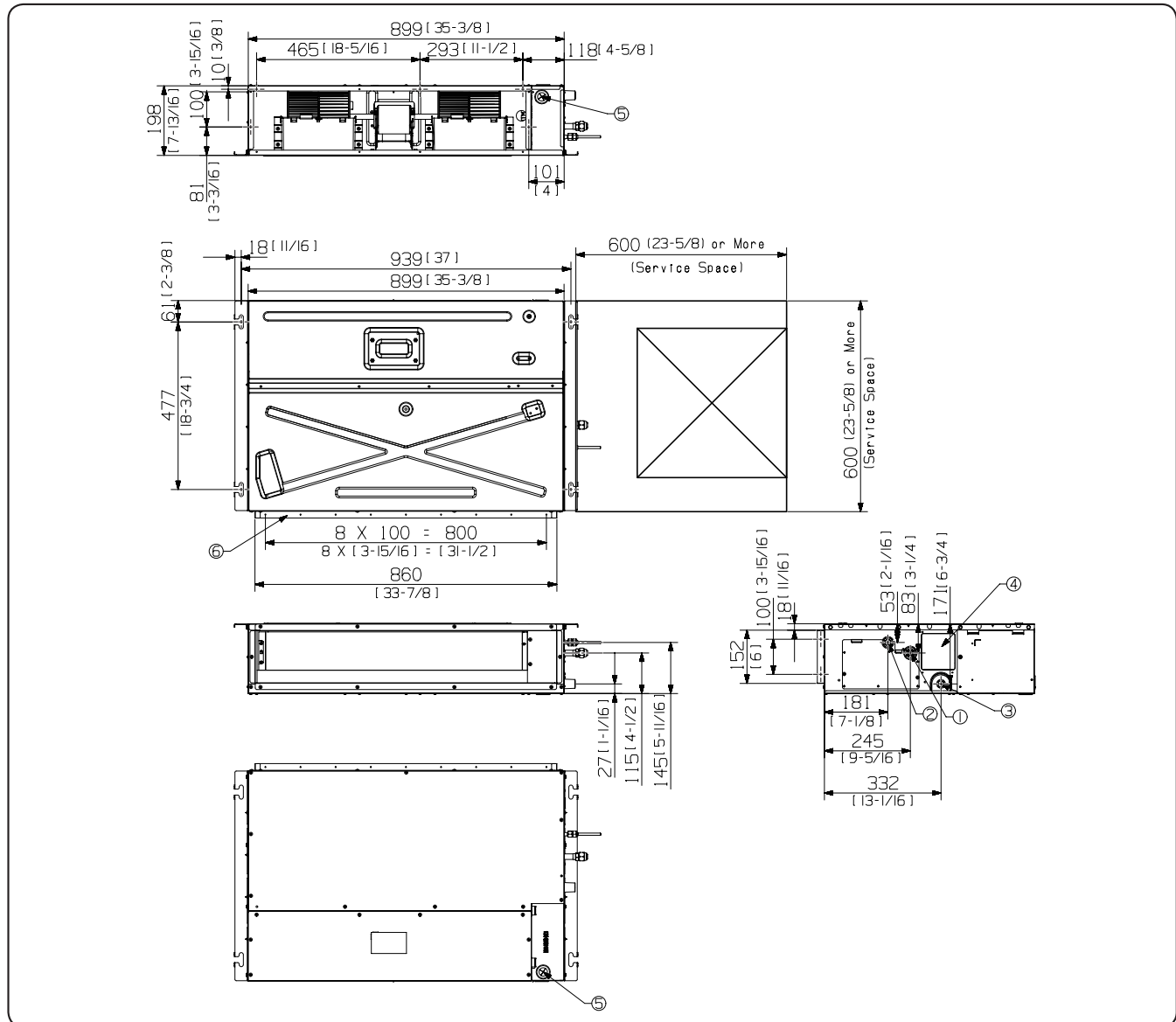
- As for suspension bolt, please use M10. (Produced at local site)

5. Dimensional Drawing

5-2. Indoor unit

13 Slim Duct : AJ026/036RBLDEG**

Units : mm [inches]



NO	Name	Description
1	Gas pipe connection	Φ9.52(3/8)
2	Liquid pipe connection	Φ6.35 (1/4)
3	Drain pipe connection	VP-25 (OD 32, ID 25)
4	Knockout hole for Drain pump	Option kit
5	Conduit for power supply & Communication wiring	-
6	Air outlet duct flange	-

NOTE

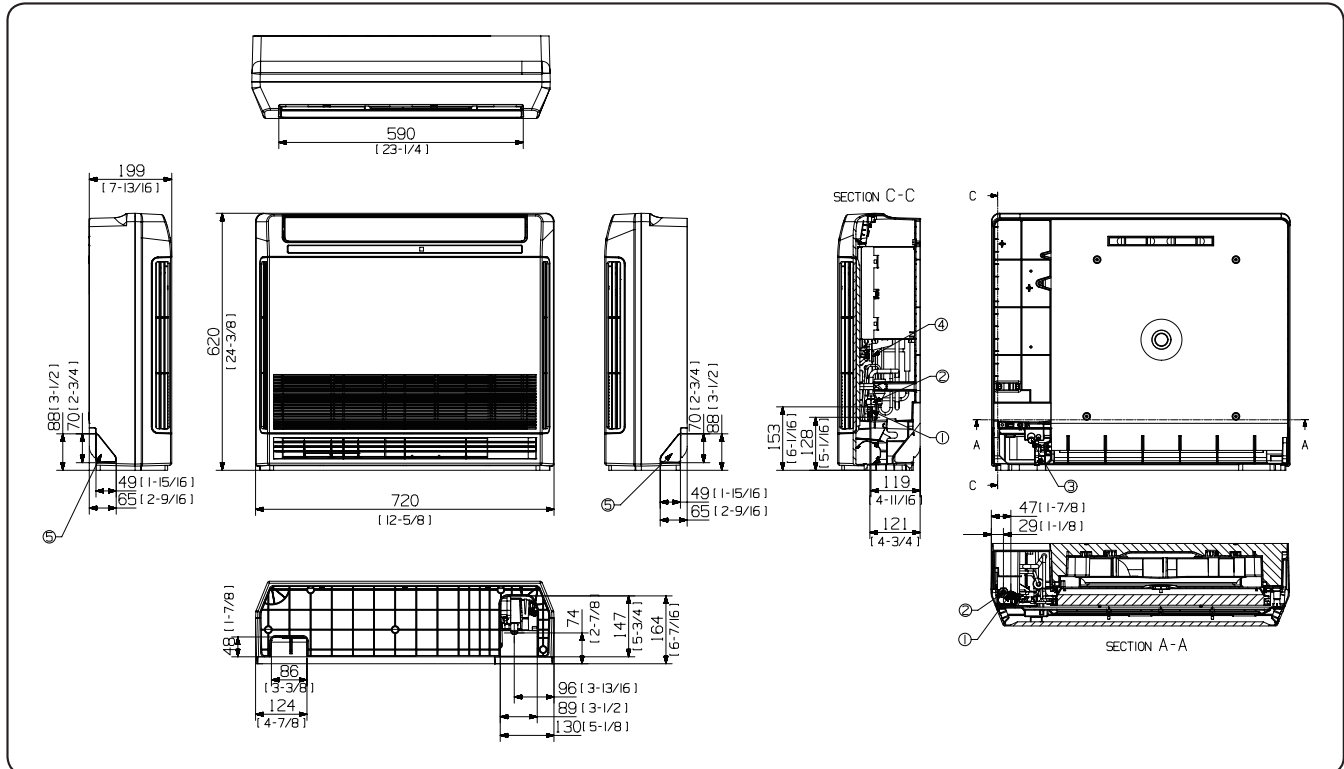
- As for drain pipe, please use VP25 (PVC, O.D. - 1/4 (32 mm)).
- As for suspension bolt, please use M10 or W3/8. (Produced at local site)

5. Dimensional Drawing

5-2. Indoor unit

15 Console : AJ026/035/052RBJDEG**

Units : mm [inches]



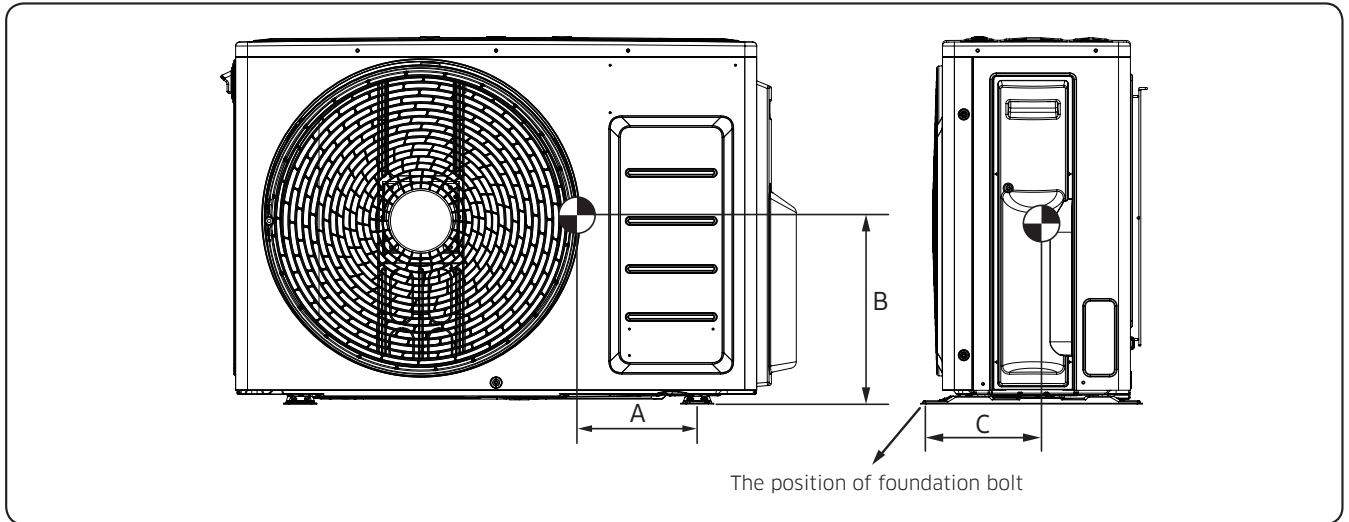
NO	Name	Description	
		AJ026RBJDEG	AJ035RBJDEG AJ052RBJDEG
1	Liquid pipe connection	Φ6.35(1/4)	
2	Gas pipe connection	Φ9.52(3/8)	Φ12.7(1/2)
3	Drain pipe connection	ID18mm [11/16inch] Hose	
4	Power supply & Communication wiring conduit	-	
6	Knockout hole for drain hose	-	

6. Center of Gravity

6-1. Outdoor unit

1 AJ040/050/052*CJ*EG**

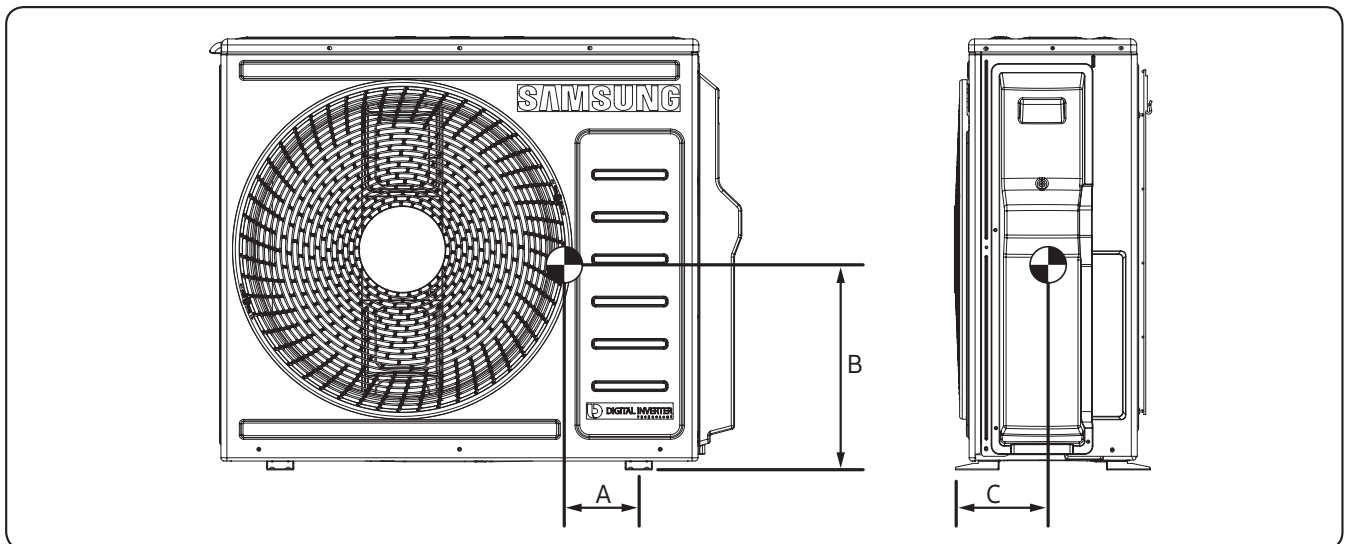
Unit : mm



Model	A	B	C
AJ040/050NCJ2EG**	232	223	165
AJ052RCJ3EG**	219	289	150

2 AJ068RCJ3EG**, AJ080RCJ4EG**

Unit : mm



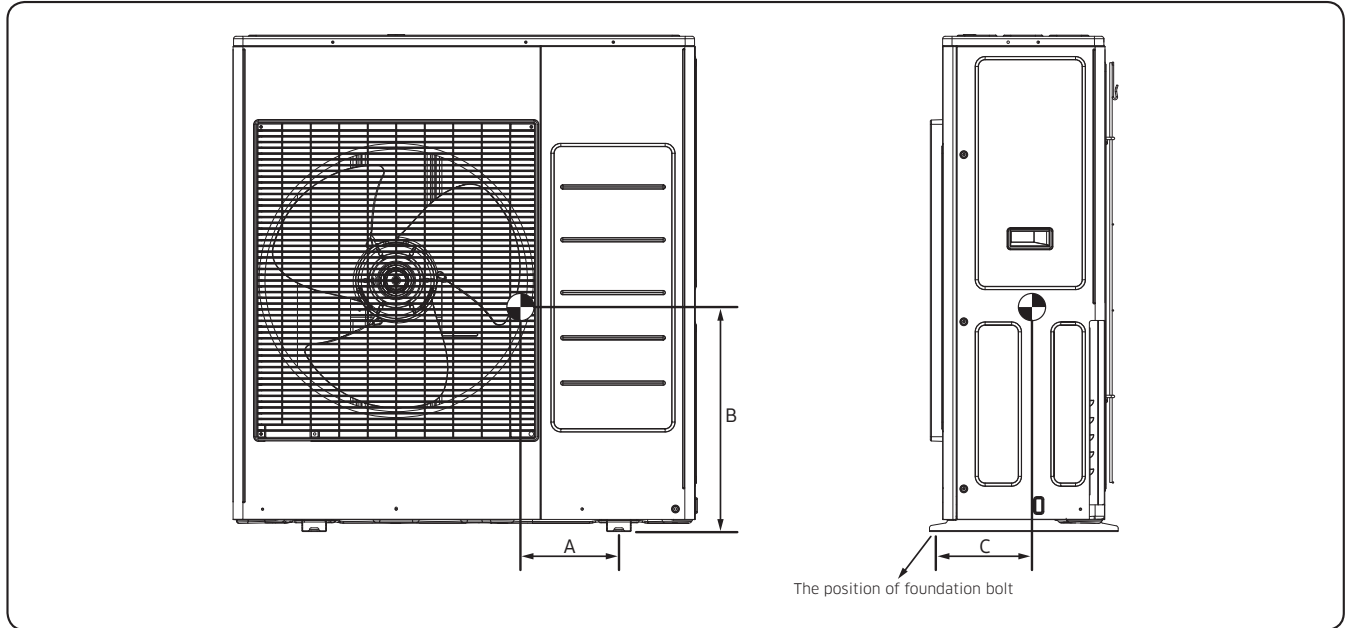
Model	A	B	C
AJ068RCJ3EG** AJ080RCJ4EG**	159	327	153

6. Center of Gravity

6-1. Outdoor unit

3 AJ100RCJ5EG**

Unit : mm



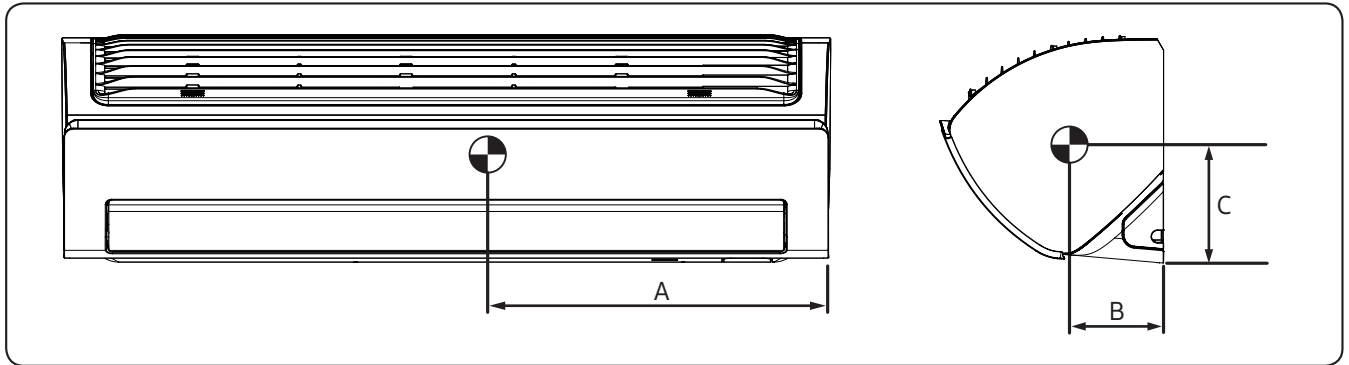
Model	A	B	C
AJ100RCJ5EG**	207	444	176

6. Center of Gravity

6-2. Indoor unit

1 A3050 Good1, Wind-Free

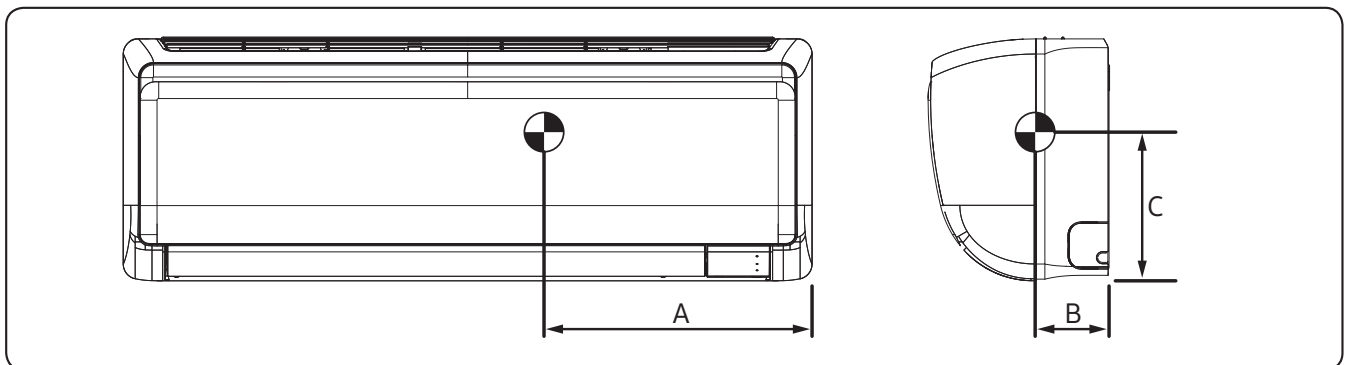
Unit : mm



Model	A	B	C
A3050 Good1 : AR07/09/12MXWSAWKN**	399	105	128
A3050 Good1 : AR07/09/12*XWSAURN**	370	105	130
Wind-Free : AR07/09/12NXWXCWKN**	380	105	140
Wind-Free : AR07/09/12*XPXBWKN** AR07/09/12*XWXBWKN** AR07/09/12NXCXAWKN**	370	105	130
Wind-Free : AR18/24RXPXBWKN** AR18/24RXWXCWKN**	470	105	130

2 Maldives

Unit : mm



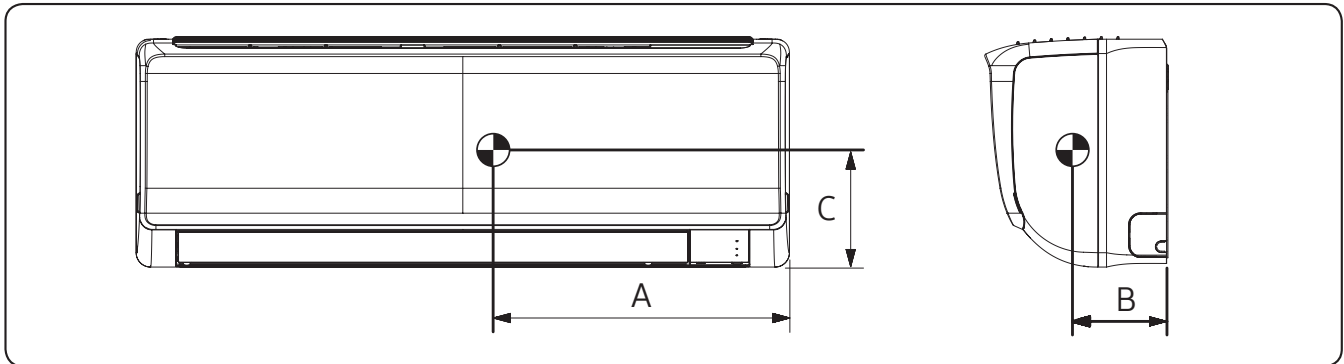
Model	A	B	C
2.0/2.5/3.5kW	380	100	155
5.0/6.5kW	465	115	160

6. Center of Gravity

6-2. Indoor unit

3 New Boracay

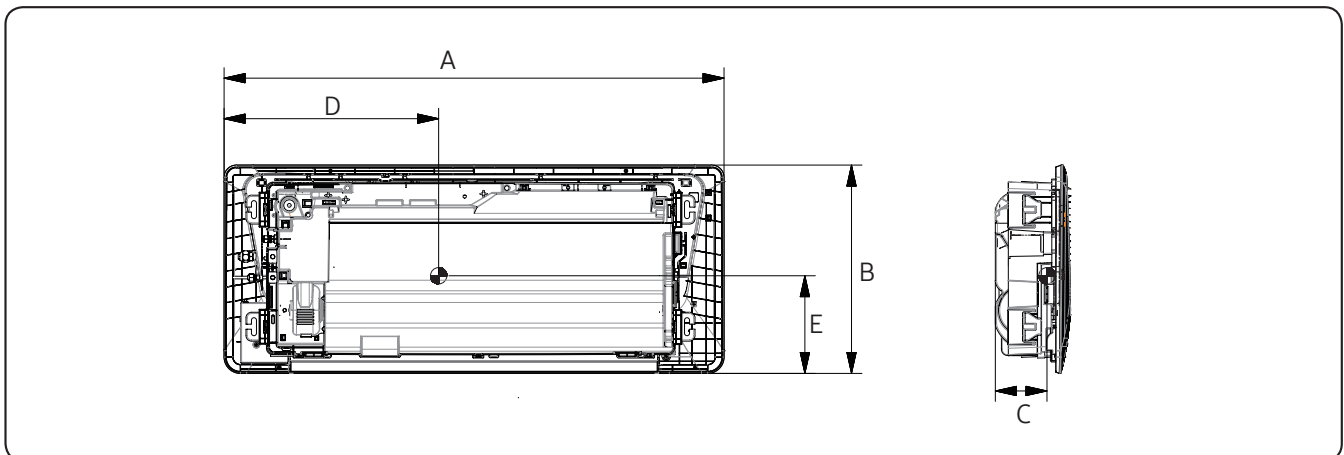
Unit : mm



Model	A	B	C
2.0/2.5/3.5kW	375	105	155
5.0/6.5kW	460	120	160

4 Wind-Free 1Way Cassette

Unit : mm



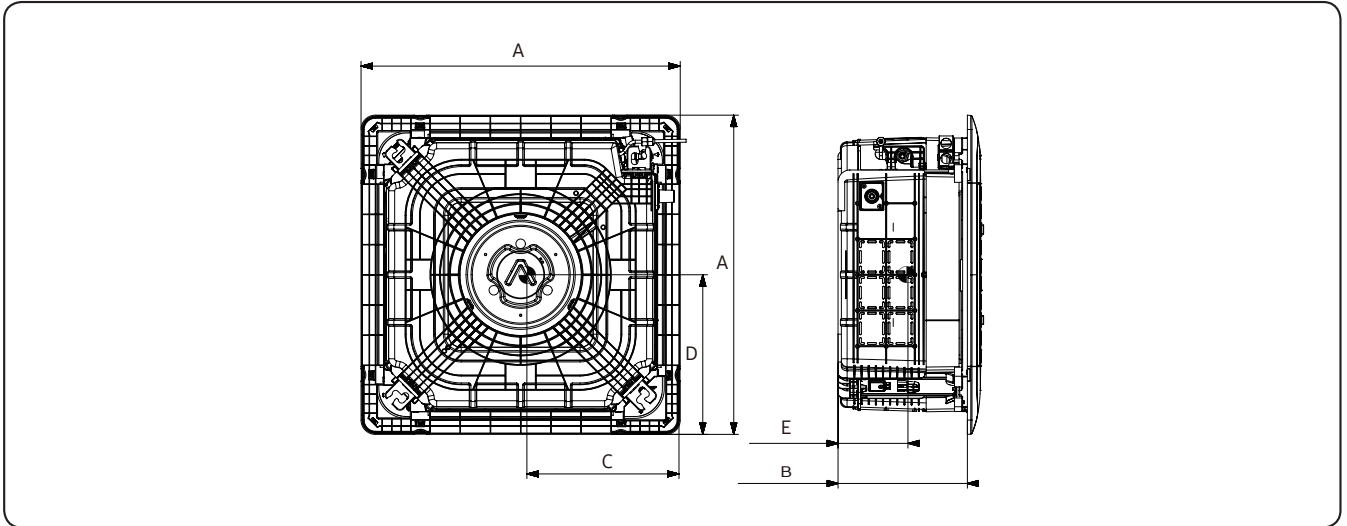
Model	A	B	C	D	E
AJ026/035RB1DEG**	1,198	500	108	555	200

6. Center of Gravity

6-2. Indoor unit

5 Wind-Free 4Way Cassette (600x600) : AJ016/020/026/035/052RBNDEG**

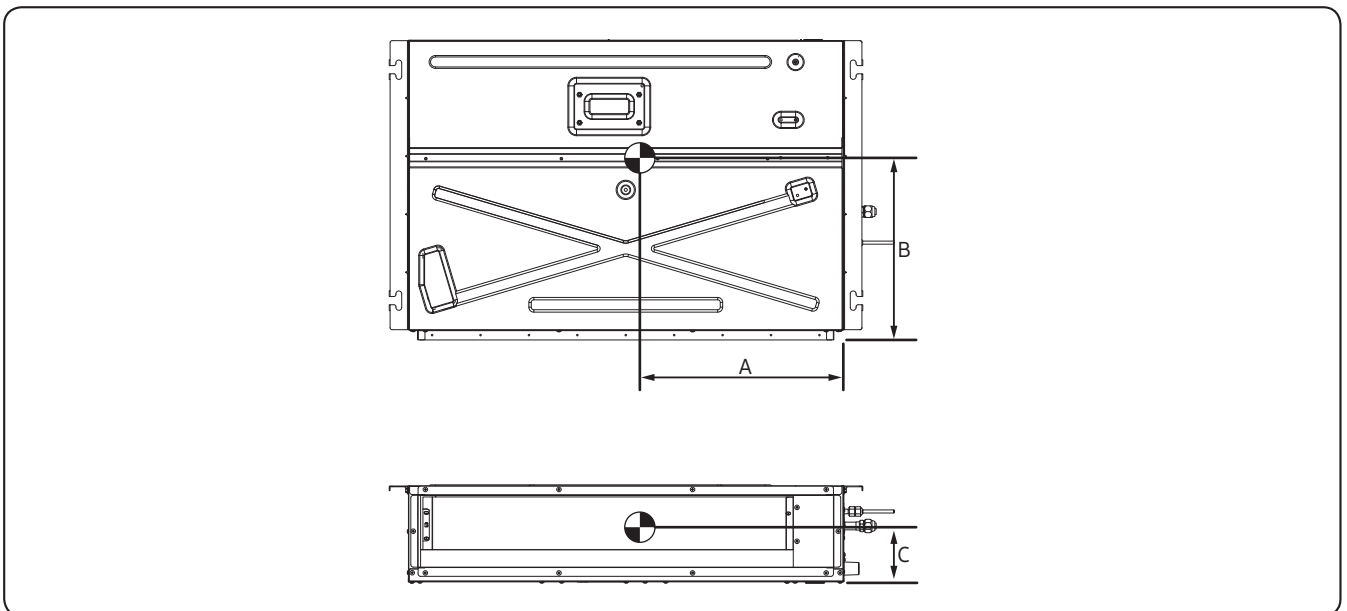
Unit : mm



Model	A	B	C	D	E
AJ016/020/026/035/052RBNDEG**	620 [24-3/8]	266 [10-7/16]	295 [11-5/8]	320 [12-5/16]	145 [5-11/16]

6 Duct : AJ026/036RBLDEG**, AJ052RBMDEG**

Unit : mm



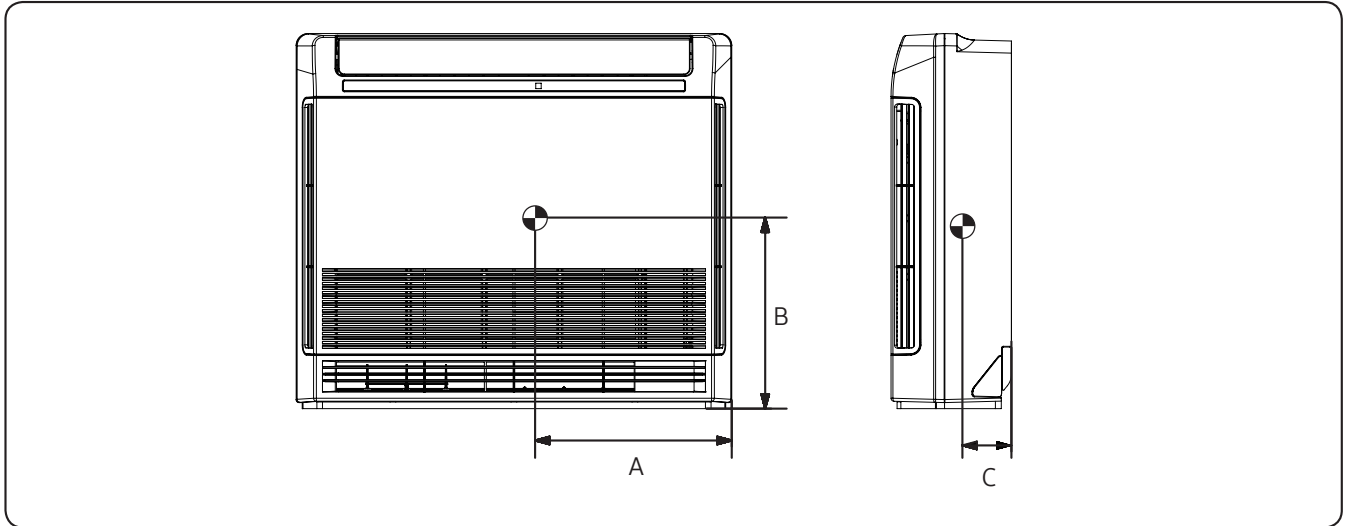
Model	A	B	C
AJ026/036MBLDEH**	450	335	105
AJ052MBMDEH**	430	265	130

6. Center of Gravity

6-2. Indoor unit

7 Console : AJ026/035/052RBJDEG**

Unit : mm

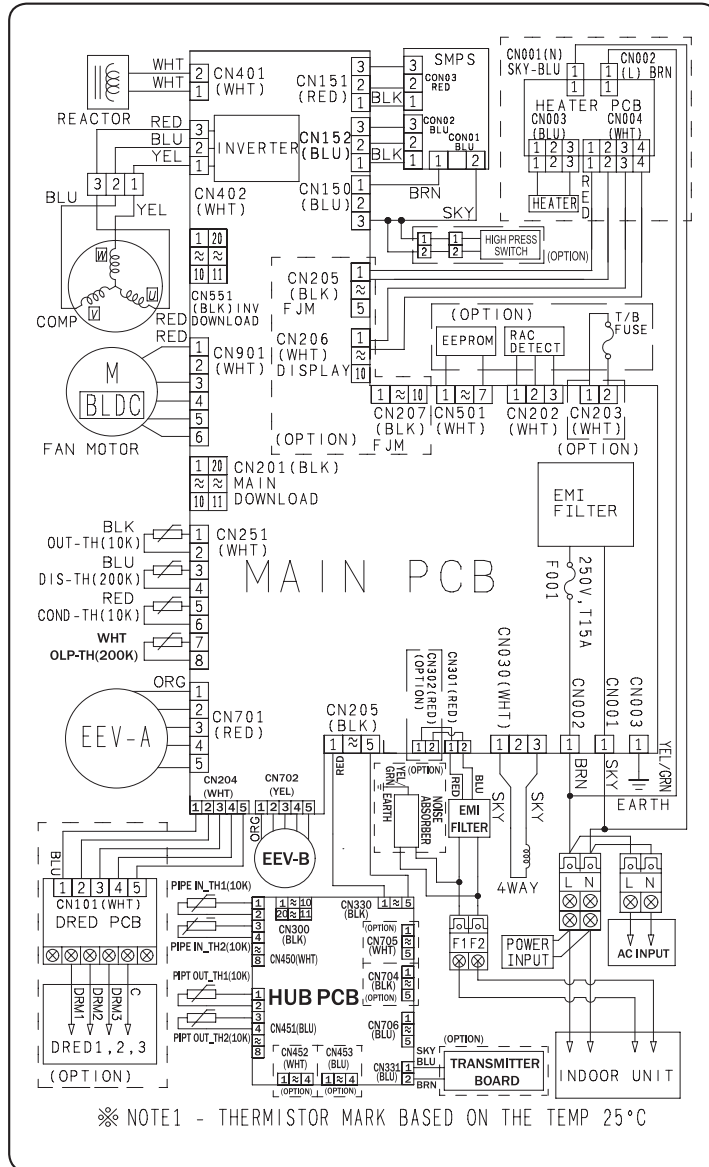


Model	A	B	C
AJ026/035/052RBJDEG**	410	320	90

7. Electrical Wiring Diagram


7-1 Outdoor unit

1 AJ040/050NCJ2EG/EU



MAIN PCB	Printed circuit board(MAIN PCB)
HUB PCB	Printed circuit board(HUB PCB)
DRED	Printed circuit board(DRED PCB)
RAC DETECT	Printed circuit board(RAC DETECT PCB)
HEATER	Printed circuit board(HEATER PCB)
SMPS	Printed circuit board(SMPS PCB)
EEPROM PCB	Printed circuit board(EEPROM PCB)
EMI FILTER	Printed circuit board(EMI FILTER PCB)
NOISE ABSORBER	Printed circuit board(NOISE ABSORBER PCB)
DIS-TH	Thermistor(Discharge Temp._200Kohm)
OUT-TH	Thermistor(AmbientTemp._10Kohm)
OLP-TH	Thermistor(Compressor Top Temp._200Kohm)
COND-TH	Thermistor(Cond Out Temp._10Kohm)
BLDC	Motor(BLDC FAN Motor)
EEV-A	Electronic expansion valve A
EEV-B	Electronic expansion valve B
COMP	Motor(COMPRESSOR)
4-WAY	4WAY VALVE
PIPE_IN_TH1	Thermistor(EVA IN Temp._10Kohm)
PIPE_IN_TH2	Thermistor(EVA IN Temp._10Kohm)
PIPE_OUT_TH1	Thermistor(EVA OUT Temp._10Kohm)
PIPE_OUT_TH2	Thermistor(EVA OUT Temp._10Kohm)

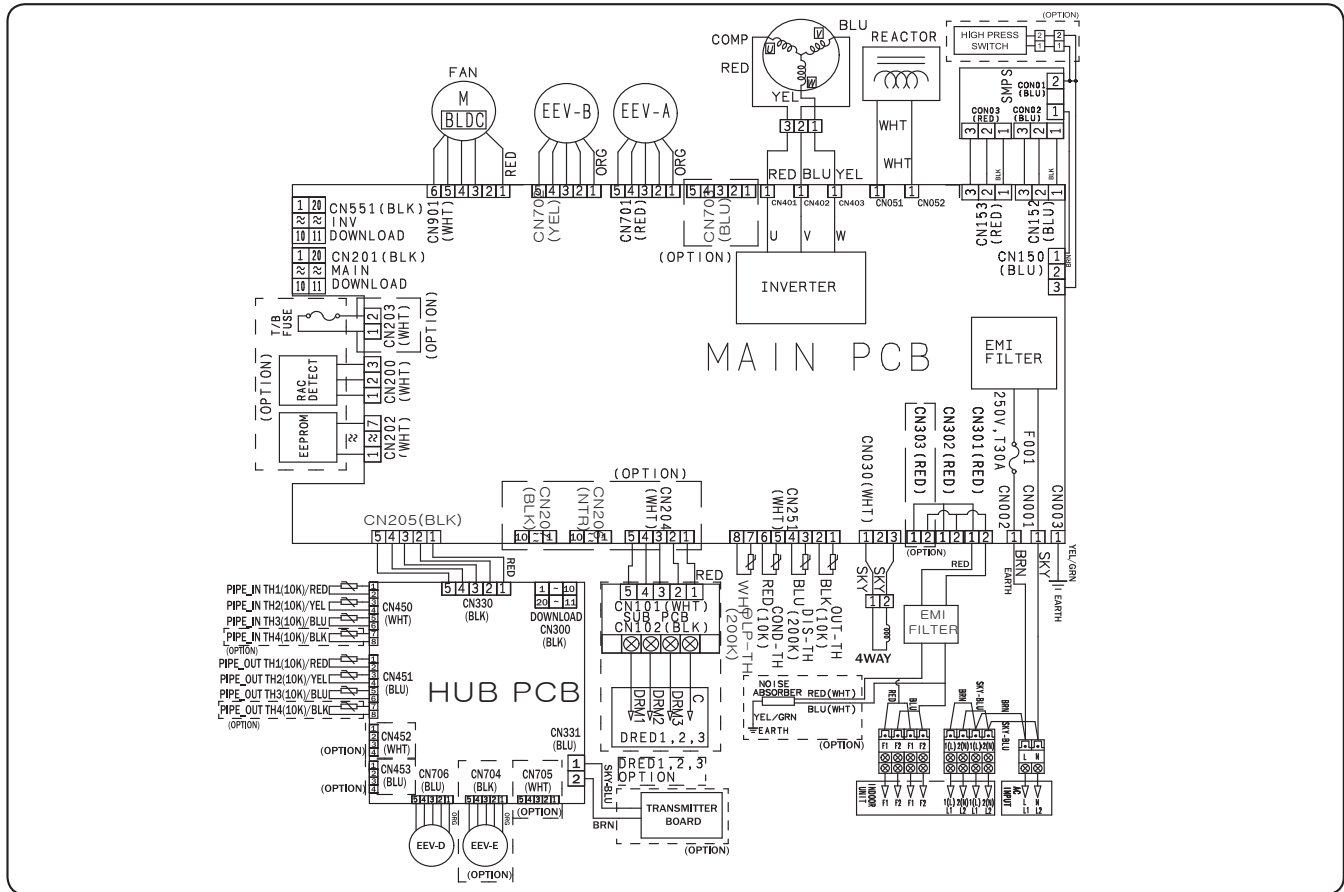
NOTE

- This wiring diagram applies only to the outdoor unit.
- Colors BLK : black, BRN : brown, SKY-BLU : sky-blue, GRN/YEL : green/yellow, RED : red, YEL : yellow, ORG : orange, BLU : blue, WHT: white
- For connection wiring indoor-outdoor transmission, refer to the installation manual
-  Protective earth(screw)

7. Electrical Wiring Diagram


7-1 Outdoor unit

2 AJ052/068RCJ3EG/EU, AJ080RCJ4EG/EU



MAIN PCB	Printed circuit board(MAIN PCB)	EEV-B	Electronic expansion valve B
HUB PCB	Printed circuit board(HUB PCB)	EEV-D	Electronic expansion valve D
DRED	Printed circuit board(DRED PCB)	EEV-E	Electronic expansion valve E
RAC DETECT	Printed circuit board(RAC DETECT PCB)	COMP	Motor(COMPRESSOR)
EEPROM PCB	Printed circuit board(EEPROM PCB)	4-WAY	4WAY VALVE
EMI FILTER	Printed circuit board(EMI FILTER PCB)	PIPE_IN_TH1	Thermistor(EVA IN Temp._10Kohm)
NOISE ABSORBER	Printed circuit board(NOISE ABSORBER PCB)	PIPE_IN_TH2	Thermistor(EVA IN Temp._10Kohm)
DIS-TH	Thermistor(Discharge Temp._200Kohm)	PIPE_IN_TH3	Thermistor(EVA IN Temp._10Kohm)
OUT-TH	Thermistor(AmbientTemp._10Kohm)	PIPE_IN_TH4	Thermistor(EVA IN Temp._10Kohm)
OLP-TH	Thermistor(Compressor Top Temp._200Kohm)	PIPE_OUT_TH1	Thermistor(EVA OUT Temp._10Kohm)
COND-TH	Thermistor(Cond Out Temp._10Kohm)	PIPE_OUT_TH2	Thermistor(EVA OUT Temp._10Kohm)
BLDC	Motor(BLDC FAN Motor)	PIPE_OUT_TH3	Thermistor(EVA OUT Temp._10Kohm)
EEV-A	Electronic expansion valve A	PIPE_OUT_TH4	Thermistor(EVA OUT Temp._10Kohm)

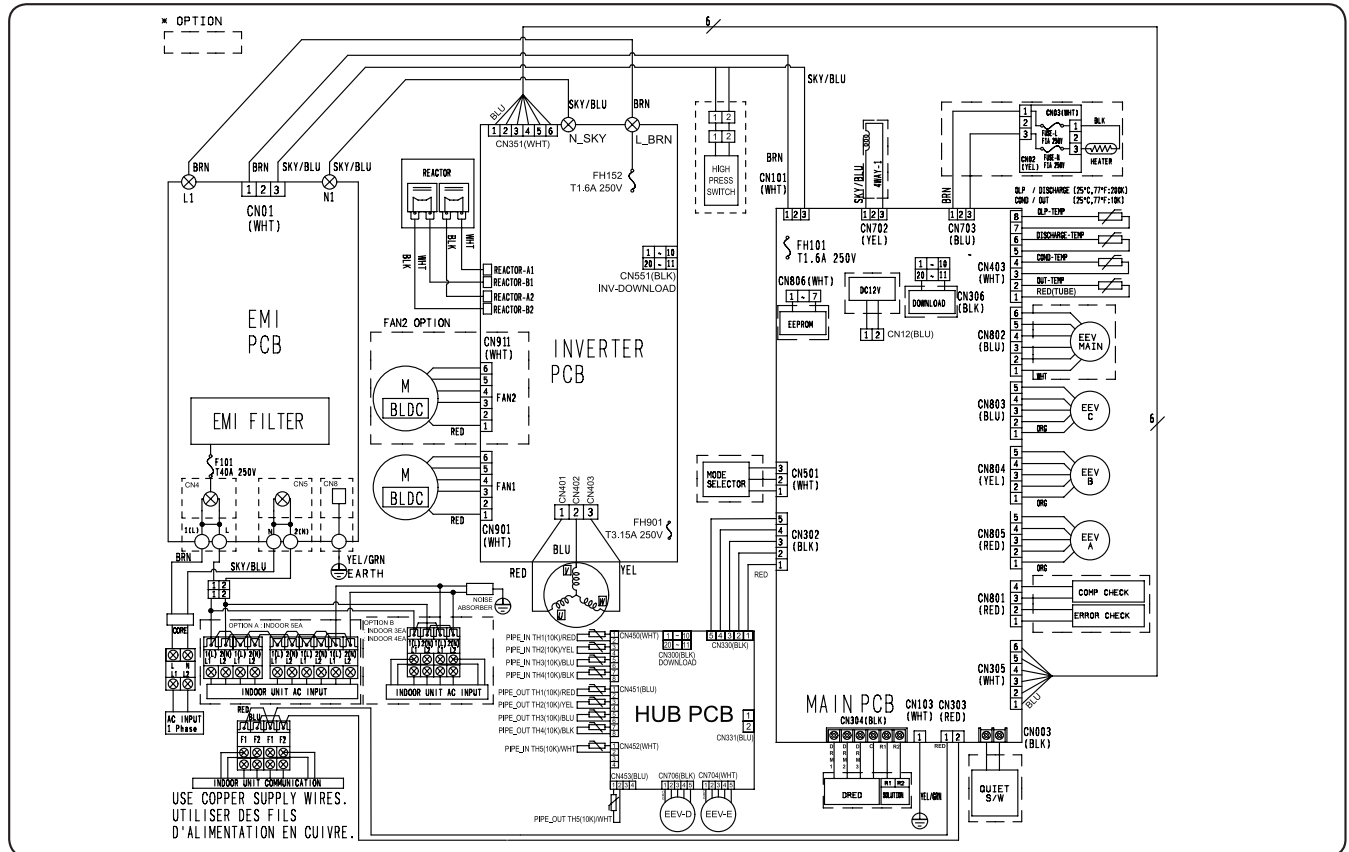
NOTE

- This wiring diagram applies only to the outdoor unit.
- Colors BLK : black, BRN : brown, SKY-BLU : sky-blue, GRN/YEL : green/yellow, RED : red, YEL : yellow, ORG : orange, BLU : blue, WHT: white
- For connection wiring indoor-outdoor transmission, refer to the installation manual
-  Protective earth(screw)

7. Electrical Wiring Diagram

7-1 Outdoor unit

3 AJ100RCJ5EG/EU



MAIN PCB	Printed circuit board(MAIN PCB)	EEV-D	Electronic expansion valve D
HUB PCB	Printed circuit board(HUB PCB)	EEV-E	Electronic expansion valve E
DRED	Printed circuit board(DRED PCB)	COMP	Motor(COMPRESSOR)
INVERTER PCB	Printed circuit board (INVERTER PCB)	4-WAY	4WAY VALVE
EEPROM PCB	Printed circuit board(EEPROM PCB)	PIPE IN_TH1	Thermistor(EVA IN Temp._10Kohm)
EMI FILTER	Printed circuit board(EMI FILTER PCB)	PIPE IN_TH2	Thermistor(EVA IN Temp._10Kohm)
NOISE ABSORBER	Printed circuit board(NOISE ABSORBER PCB)	PIPE IN_TH3	Thermistor(EVA IN Temp._10Kohm)
DISCHARGE-TEMP	Thermistor(Discharge Temp._200Kohm)	PIPE IN_TH4	Thermistor(EVA IN Temp._10Kohm)
OUT-TEMP	Thermistor(AmbientTemp._10Kohm)	PIPE IN_TH5	Thermistor(EVA IN Temp._10Kohm)
OLP-TEMP	Thermistor(Compressor Top Temp._200Kohm)	PIPE OUT_TH1	Thermistor(EVA OUT Temp._10Kohm)
COND-TEMP	Thermistor(Cond Out Temp._10Kohm)	PIPE OUT_TH2	Thermistor(EVA OUT Temp._10Kohm)
BLDC	Motor(BLDC FAN Motor)	PIPE OUT_TH3	Thermistor(EVA OUT Temp._10Kohm)
EEV-A	Electronic expansion valve A	PIPE OUT_TH4	Thermistor(EVA OUT Temp._10Kohm)
EEV-B	Electronic expansion valve B	PIPE OUT_TH5	Thermistor(EVA OUT Temp._10Kohm)
EEV-C	Electronic expansion valve C		

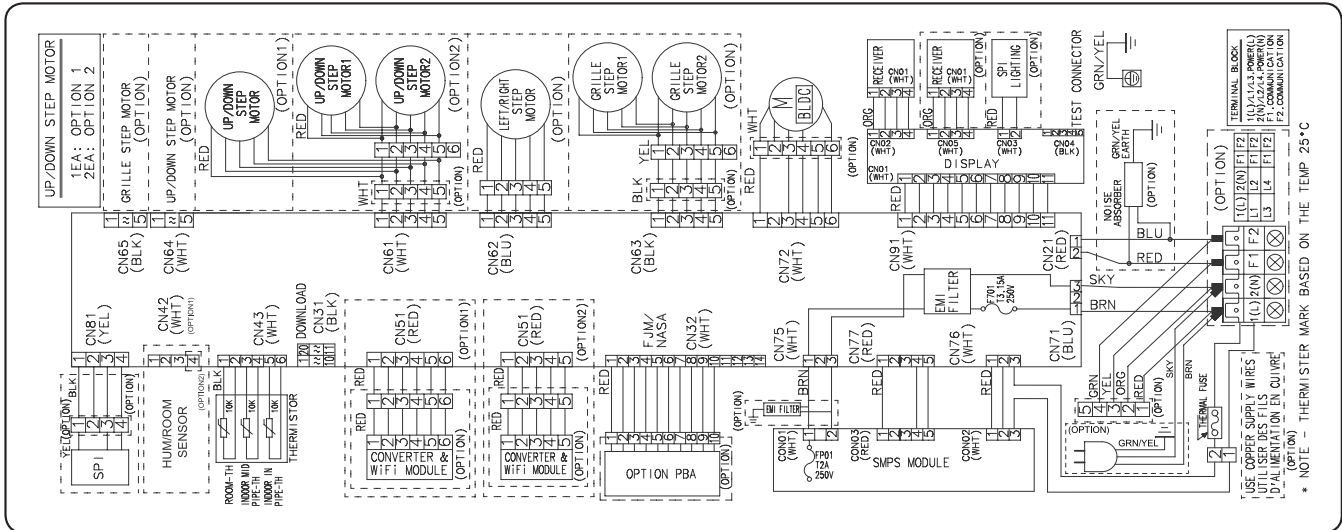
NOTE

- This wiring diagram applies only to the outdoor unit.
- Colors BLK : black, BRN : brown, SKY-BLU : sky-blue, GRN/YEL : green/yellow, RED : red, YEL : yellow, ORG : orange, BLU : blue, WHT: white
- For connection wiring indoor-outdoor transmission, refer to the installation manual
- Protective earth(screw)

7. Electrical Wiring Diagram


7-2 Indoor unit

1 A3050 (Good1, Wind-Free)



SPI	LOAD(SPI)	GRILLE STEP MOTOR	Motor(STEP MOTOR)
ROOM TH	Thermistor(Room Temp._10Kohm)	LEFT/RIGHT STEP MOTOR	Motor(STEP MOTOR)
INDOOR MID PIPE-TH	Thermistor(EVA MID Temp._10Kohm)	HUM/ROOM SENSOR	SENSOR(HUMIDITY/ROOM)
INDOOR IN PIPE-TH	Thermistor(EVA IN Temp._10Kohm)	UP/DOWN STEP MOTOR	Motor(STEP MOTOR)
RECEIVER	Printed circuit board(RECEIVER BOARD)	THERMAL FUSE	Terminal Block Thermal Fuse
DISPLAY	Printed circuit board(DISPLAY BOARD)	WIFI MODULE	LOAD(WIFI MODULE)
BLDC	Motor(BLDC FAN MOTOR)	SMPS MODULE	Printed circuit board(Power Supply)

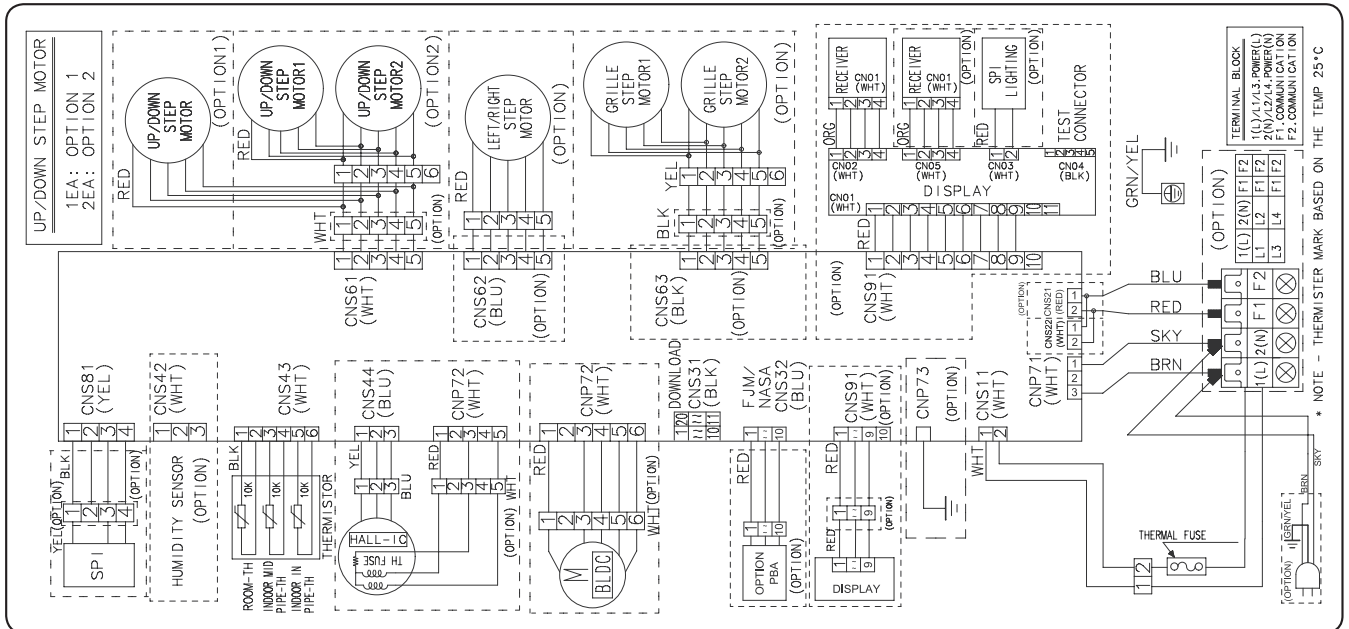
NOTE

- This wiring diagram applies only to the outdoor unit.
- Colors BLK : black, BRN : brown, SKY-BLU : sky-blue, GRN/YEL : green/yellow, RED : red, YEL : yellow, ORG : orange, BLU : blue, WHT: white
- For connection wiring indoor-outdoor transmission 3(C), refer to the installation manual
-  Protective earth(screw)

7. Electrical Wiring Diagram


7-2 Indoor unit

2 Maldives, New Boracay



SPI	LOAD(SPI)	GRILLE STEP MOTOR	Motor(STEP MOTOR)
ROOM TH	Thermistor(Room Temp._10Kohm)	LEFT/RIGHT STEP MOTOR	Motor(STEP MOTOR)
INDOOR MID PIPE-TH	Thermistor(EVA MID Temp._10Kohm)	UP/DOWN STEP MOTOR	Motor(STEP MOTOR)
INDOOR IN PIPE-TH	Thermistor(EVA IN Temp._10Kohm)	THERMAL FUSE	Terminal Block Thermal Fuse
RECEIVER	Printed circuit board(RECEIVER BOARD)	WIFI MODULE	LOAD(WIFI MODULE)
DISPLAY	Printed circuit board(DISPLAY BOARD)	SMPS MODULE	Printed circuit board(Power Supply)
BLDC	Motor(BLDC FAN MOTOR)	HUMIDITY SENSOR	SENSOR(HUMIDITY)
HALL IC	Motor(AC FAN MOTOR)		

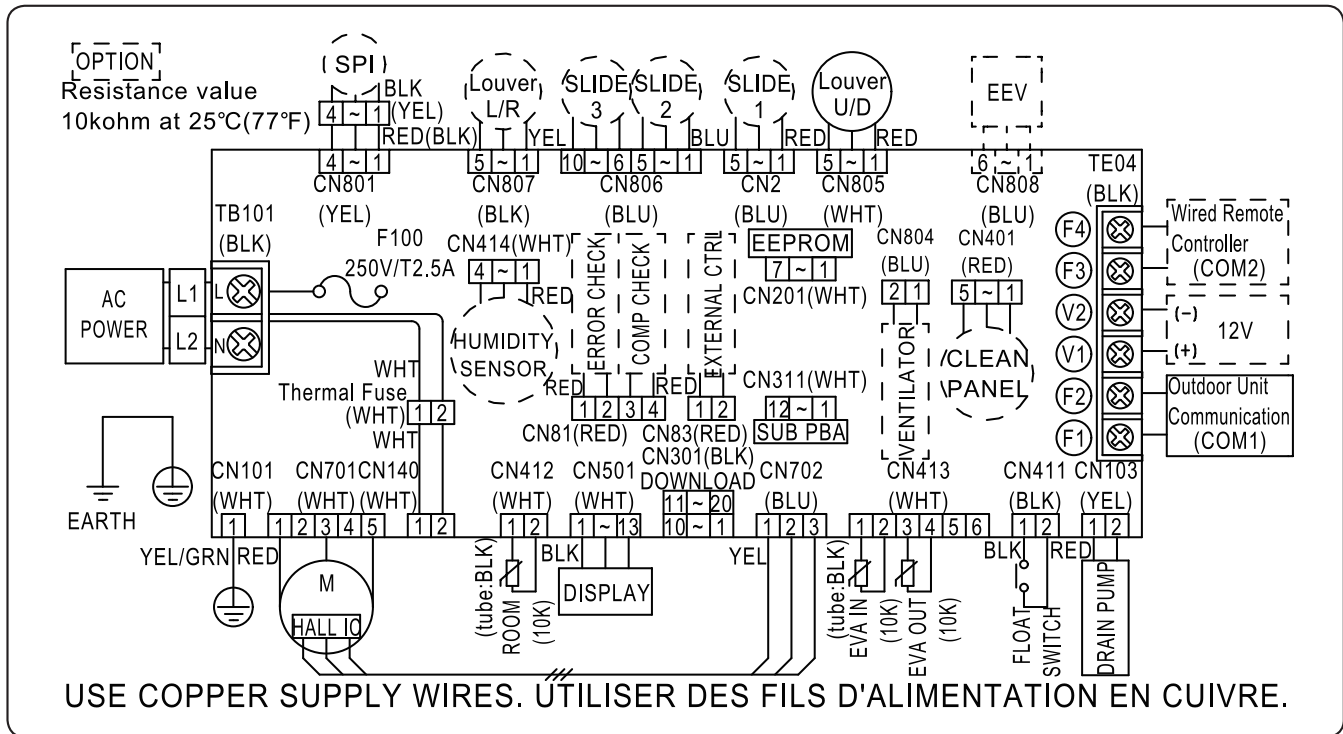
NOTE

- This wiring diagram applies only to the outdoor unit.
- Colors BLK : black, BRN : brown, SKY-BLU : sky-blue, GRN/YEL : green/yellow, RED : red, YEL : yellow, ORG : orange, BLU : blue, WHT: white
- For connection wiring indoor-outdoor transmission 3(C), refer to the installation manual
-  Protective earth(screw)

7. Electrical Wiring Diagram

7-2 Indoor unit

3 Wind-Free 1Way Cassette



Louver L/R	STEP MOTOR(LEFT, RIGHT)	FAN MOTOR	AC FAN MOTOR	DISPLAY	Printed Circuit Board(DISPLAY BOARD)
Louver U/D	STEP MOTOR(UP, DOWN)	FLOAT SWITCH	FLOAT SWITCH	ROOM SENSOR	Thermistor(ROOM TEMP_10Kohm)
SLIDE1	SLIDE 1	DRAIN PUMP	LOAD(DRAIN PUMP)	EVA-IN SENSOR	Thermistor(EVA IN_10Kohm)
SLIDE2	SLIDE 2	SPI	LOAD(SPI)	EVA-OUT SENSOR	Thermistor(EVA OUT_10Kohm)
SLIDE3	SLIDE 3	VENTILATOR	LOAD(VENTILATOR)	HUMIDITY SENSOR	SENSOR(HUMIDITY/ROOM)
EEV	Electronic Expansion Valve	CLEAN PANEL	Load(PANEL)	THERMAL FUSE	Terminal Block Thermal Fuse

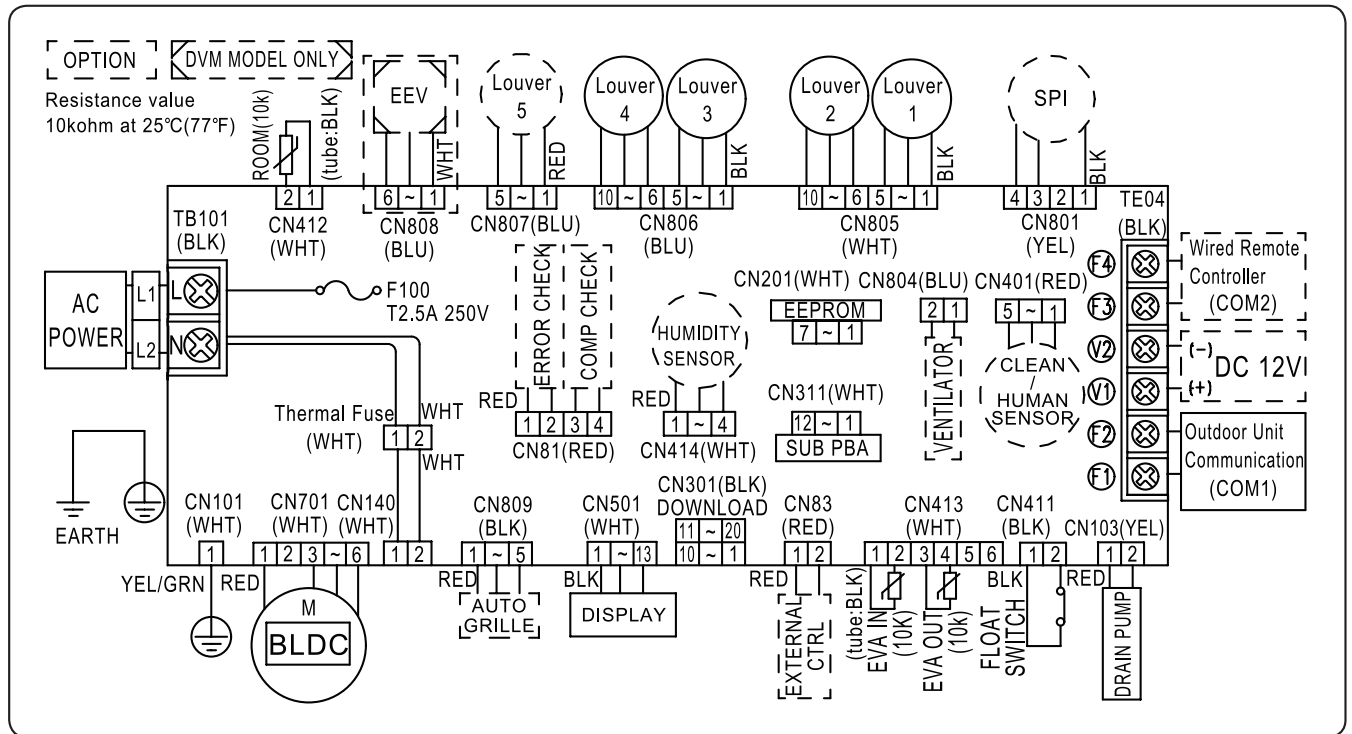
NOTE

- This wiring diagram applies only to the indoor unit.
- Colors BLK : black, BRN : brown, SKY-BLU : sky-blue, GRN/YEL : green/yellow, RED : red, YEL : yellow, ORG : orange, BLU : blue, WHT:white
- For connection wiring indoor-outdoor transmission F1-F2, indoor-wired remotecontroller transmission F3-F4, refer to the installation manual
- Protective earth(screw)

7. Electrical Wiring Diagram


7-2 Indoor unit

4 Wind-Free 4Way Cassette (600x600)



Louver1	Louver1	FAN MOTOR	BLDC FAN MOTOR	DISPLAY	Printed Circuit Board(DISPLAY BOARD)
Louver2	Louver 2	FLOAT SWITCH	FLOAT SWITCH	ROOM SENSOR	Thermistor(ROOM TEMP_10kohm)
Louver3	Louver 3	DRAIN PUMP	LOAD(DRAIN PUMP)	EVA-IN SENSOR	Thermistor(EVA IN_10kohm)
Louver 4	Louver 4	SPI	LOAD(SPI)	EVA-OUT SENSOR	Thermistor(EVA OUT_10kohm)
Louver 5	Louver 5	VENTILATOR	LOAD(VENTILATOR)	HUMIDITY SENSOR	SENSOR(HUMIDITY/ROOM)
EEV	Electronic Expansion Valve	CLEAN PANEL	LOAD(CLEAN PANEL)	THERMAL FUSE	Terminal Block Thermal Fuse
AUTO GRILL	LOAD(AUTO GRILL)	HUMAN SENSOR	LOAD(HUMAN SENSOR)		

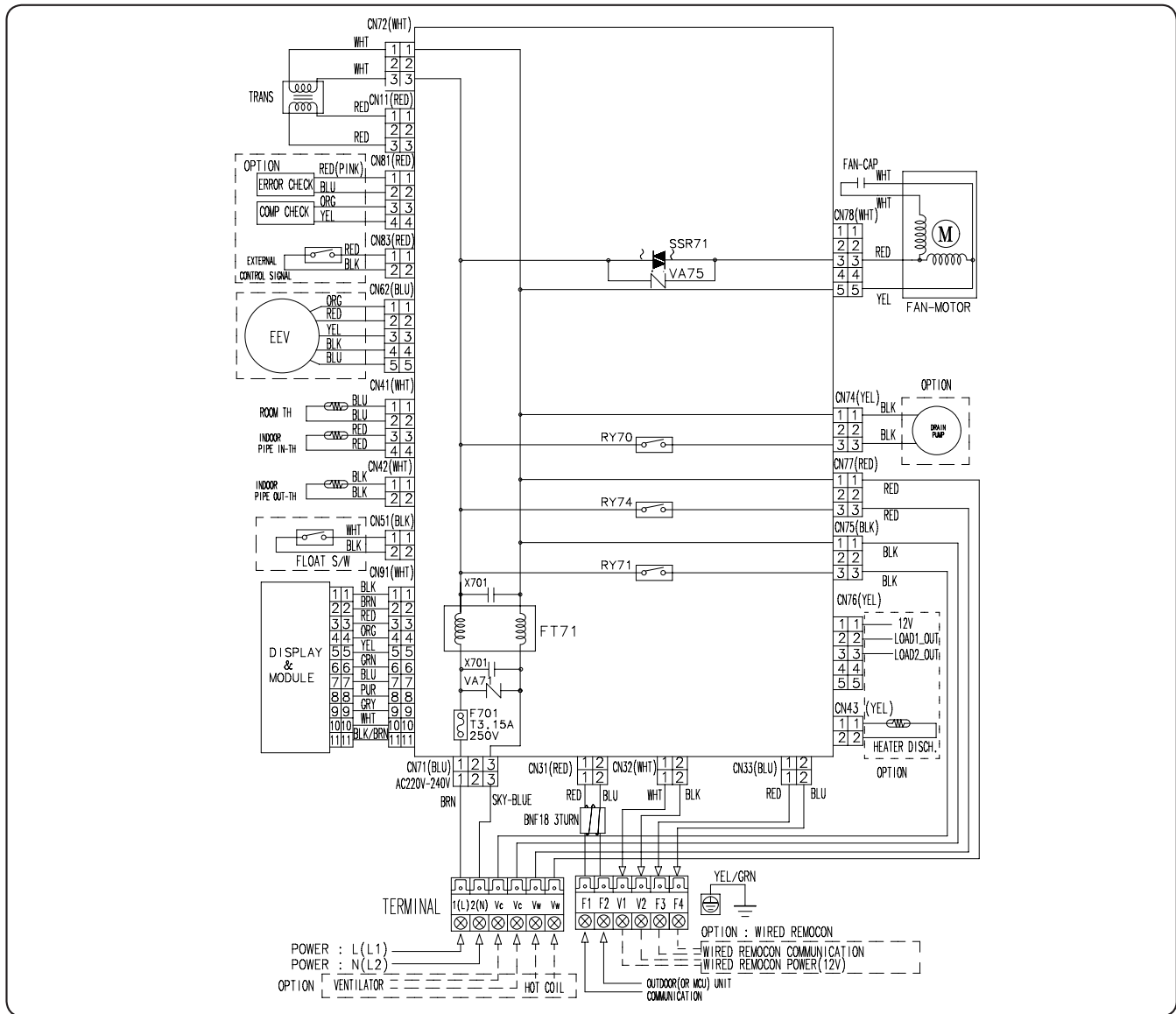
NOTE

- This wiring diagram applies only to the indoor unit.
- Colors BLK : black, BRN : brown, SKY-BLU : sky-blue, GRN/YEL : green/yellow, RED : red, YEL : yellow, ORG : orange, BLU : blue, WHT:white
- For connection wiring indoor-outdoor transmission F1-F2, indoor-wired remotecontroller transmission F3-F4, refer to the installation manual
-  Protective earth(screw)

7. Electrical Wiring Diagram

7-2 Indoor unit

5 Slim Duct



TRANS	Transformer	INDOOR PIPE IN-TH	Thermistor(EVA IN Temp_10Kohm)	VENTILATOR	LOAD(VENTILATOR)
EXTANAL CONTROL SIGNAL	Relay	INDOOR PIPE OUT-TH	Thermistor(EVA OUT Temp_10Kohm)	HEATER DISCH	Thermistor(HEATER DISCH)
EEV	Electronic expansion valve	FLOAT S/W	FLOAT Switch	DRAIN PUMP	LOAD(DRAIN PUMP)
ROOM TH	Thermistor(Room Temp_10Kohm)	DISPLAY	Printed circuit board(DISPLAY BOARD)	FAN MOTOR	Motor(FAN Motor)

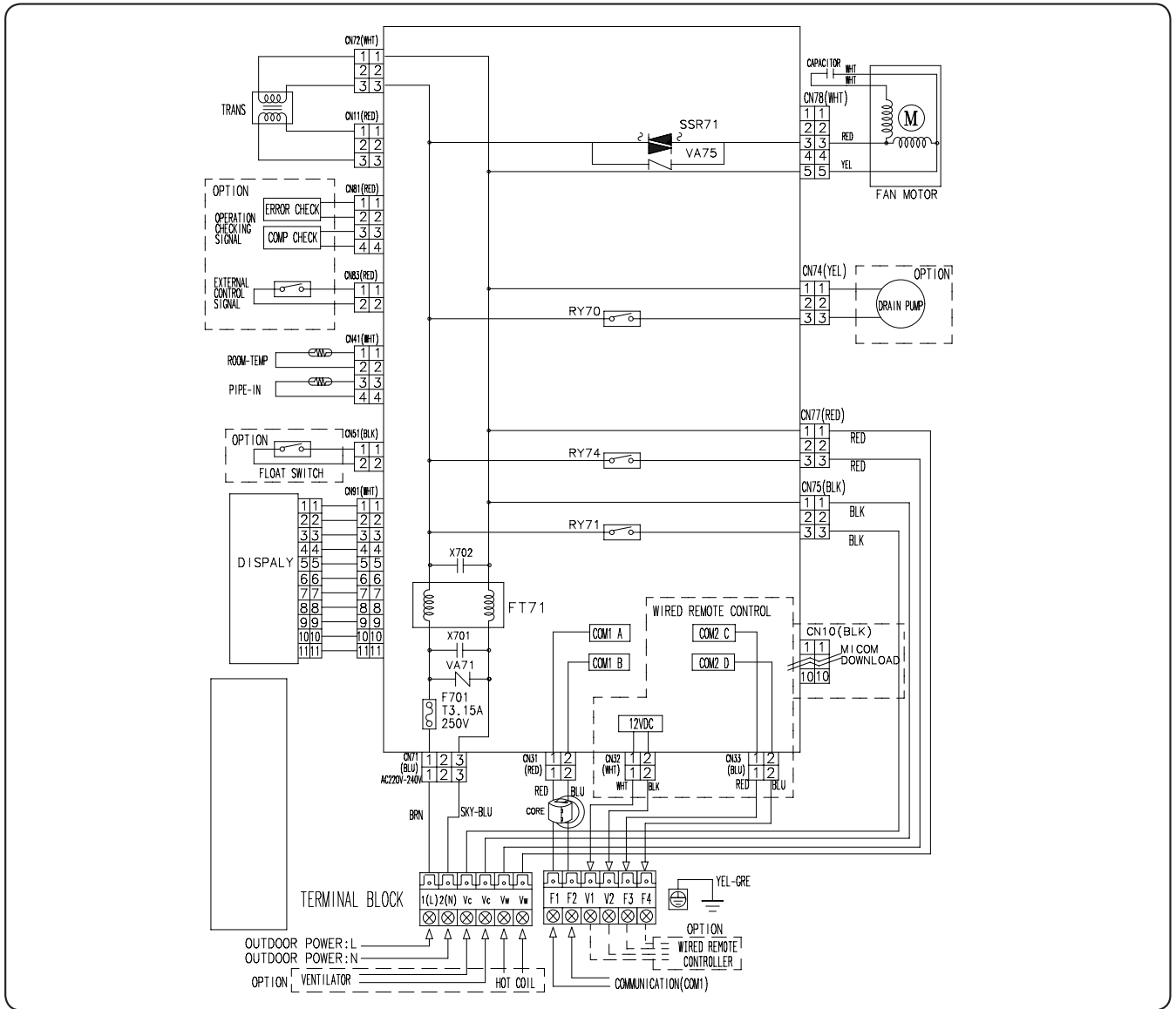
NOTE

- This wiring diagram applies only to the indoor unit.
- Colors BLK : black, BRN : brown, SKY-BLU : sky-blue, GRN/YEL : green/yellow, RED : red, YEL : yellow, ORG : orange, BLU : blue, WHT:white
- For connection wiring indoor-outdoor transmission F1-F2, indoor-wired remotecontroller transmission F3-F4, refer to the installation manual
- Protective earth(screw)

7. Electrical Wiring Diagram

7-2 Indoor unit

6 MSP Duct



TRANS	Transformer	INDOOR PIPE IN-TH	Thermistor(EVA IN Temp_10Kohm)	VENTILATOR	LOAD(VENTILATOR)
EXTANAL CONTROL SIGNAL	Relay	INDOOR PIPE OUT-TH	Thermistor(EVA OUT Temp_10Kohm)	DRAIN PUMP	LOAD(DRAIN PUMP)
DISPALY	Printed circuit board(DISPLAY BOARD)	FLOATS/W	FLOAT Switch	FAN MOTOR	Motor(FAN Motor)
ROOMTH	Thermistor(Room Temp_10Kohm)				

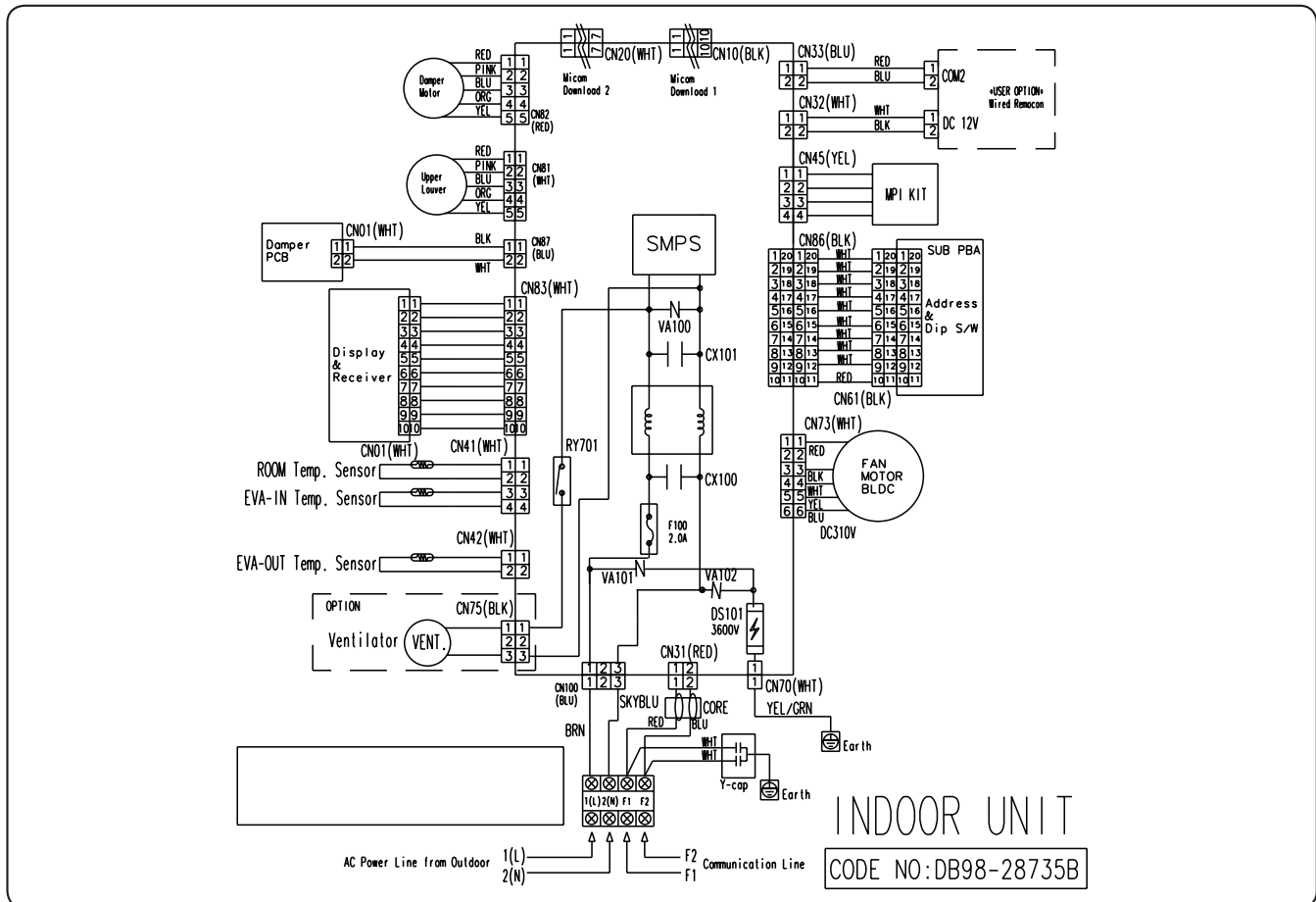
NOTE

- This wiring diagram applies only to the indoor unit.
- Colors BLK : black, BRN : brown, SKY-BLU : sky-blue, GRN/YEL : green/yellow, RED : red, YEL : yellow, ORG : orange, BLU : blue, WHT:white
- For connection wiring indoor-outdoor transmission F1-F2, indoor-wired remotecontroller transmission F3-F4, refer to the installation manual
- Protective earth(screw)

7. Electrical Wiring Diagram

7-2 Indoor unit

7 Console



DISPLAY&RECEIVER	Printed circuit board (DISPLAY&RECEIVER)	ADDRESS&DIPS/W	Printed circuit board (ADDRESS&DIPS/W)	BLDC	MOTOR (BLDC FAN MOTOR)
DAMPER MOTOR	Step MOTOR (DAMPER)	UPPER LOUVER	Step MOTOR (UPPER LOUVER)	ROOM TEMP. SENSOR	Thermistor (ROOM Ambient Temp._10Kohm)
EVA-IN TEMP.SENSOR	Thermistor (EVA-IN Temp._10Kohm)	EVA-OUTTEMP.SENSOR	Thermistor (EVA-OUT Temp._10Kohm)		

NOTE

- This wiring diagram applies only to the indoor unit.
- Colors BLK : black, BRN : brown, SKY-BLU : sky-blue, GRN/YEL : green/yellow, RED : red, YEL : yellow, ORG : orange, BLU : blue, WHT:white
- For connection wiring indoor-outdoor transmission F1-F2, indoor-wired remotecontroller transmission F3-F4, refer to the installation manual
- Protective earth(screw)

8. Sound Data

Summary

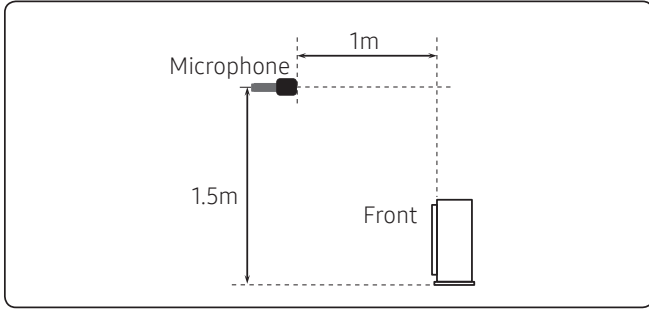
	Capacity (Cooling, kW)	Model	Sound Pressure dB(A)	Sound Power dB(A)
Outdoor	4.0	AJ040NCJ2EG**	45	60
	5.0	AJ050NCJ2EG**	46	61
	5.2	AJ052RCJ3EG**	46	61
	6.8	AJ068RCJ3EG**	48	64
	8.0	AJ080RCJ4EG**	48	64
	10.0	AJ100RCJ5EG**	54	70
Indoor	Capacity (Cooling, kW)	Model	Sound Pressure dB(A)	Sound Power dB(A)
A3050 Good1	2.0	AR07*XWSA**N**	37/27/22	54
	2.5	AR09*XWSA**N**	37/27/22	54
	3.5	AR12*XWSA**N**	38/28/22	56
Maldives	2.0	AR07*XFPEWQN**	38/28/21	56
	2.5	AR09*XFPEWQN**	38/28/21	56
	3.5	AR12*XFPEWQN**	42/33/23	59
	5.0	AR18*XFPEWQN**	42/34/25	58
	6.5	AR24*XFPEWQN**	45/35/29	63
New Boracay	2.0	AR07NXFHBWKN**	38/30/21	56
	2.5	AR09NXFHBWKN**	38/30/21	56
	3.5	AR12NXFHBWKN**	42/33/21	59
	5.0	AR18RXFHBWKN**	42/34/25	58
	6.5	AR24RXFHBWKN**	45/35/29	63
Wind-Free RAC	2.0	AR07*X*X*WKN**	37/30/22	56
	2.5	AR09*X*X*WKN**	37/30/22	56
	3.5	AR12*X*X*WKN**	38/31/22	58
	5.0	AR18*X*X*WKN**	41/33/25	58
	6.5	AR24*X*X*WKN**	45/35/26	62
Wind-Free 1Way CASSETTE	2.6	AJ026RB1DEG**	32/29/26	50
	3.5	AJ035RB1DEG**	37/33/30	55
Wind-Free 4Way CASSETTE (600x600)	1.6	AJ016RBNDEG**	33/29/24	49
	2.0	AJ020RBNDEG**	33/29/24	49
	2.6	AJ026RBNDEG**	33/29/24	49
	3.5	AJ035RBNDEG**	35/31/27	53
	5.2	AJ052RBNDEG**	39/36/32	55
Slim duct	2.6	AJ026RBLDEG**	30/28/25	53
	3.5	AJ035RBLDEG**	32/30/27	53
MSP duct	5.2	AJ052RBMDEG**	42/41/39	59
Console	2.6	AJ026RBJDEG**	36/32/27	53
	3.5	AJ035RBJDEG**	36/34/29	57
	5.2	AJ052RBJDEG**	40/36/32	60

8. Sound Data

Sound Pressure level

8-1. Outdoor unit

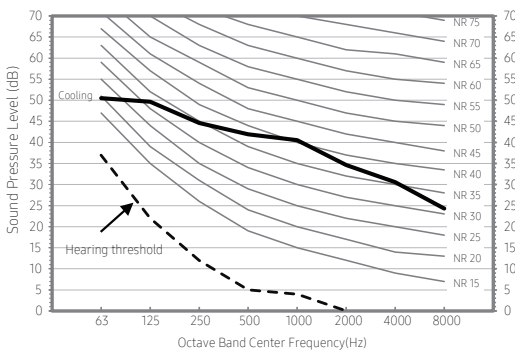
Unit: dB(A)



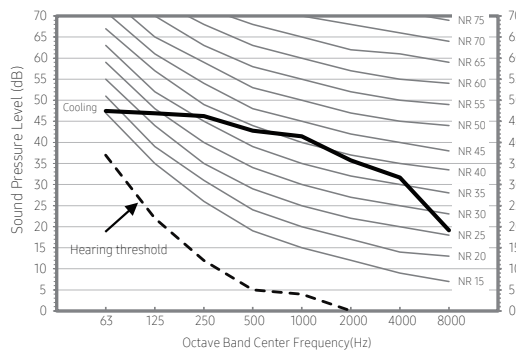
Model	dBA
AJ040NCJ2EG**	45
AJ050NCJ2EG**	46
AJ052RCJ3EG**	46
AJ068RCJ3EG**	48

- NR Curve

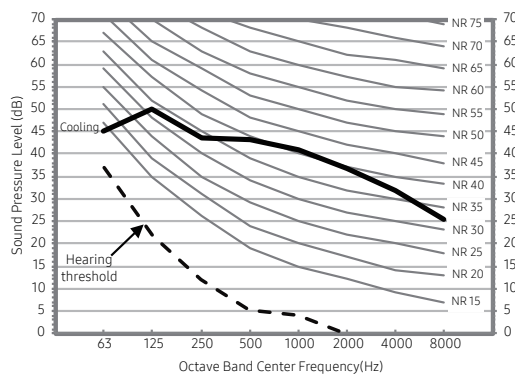
1) AJ040NCJ2EG**



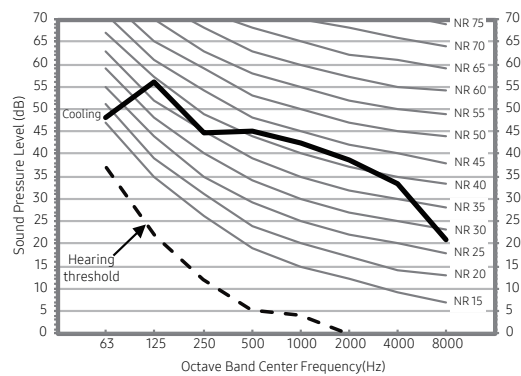
2) AJ050NCJ2EG**



3) AJ052RCJ3EG**



4) AJ068RCJ3EG**



NOTE

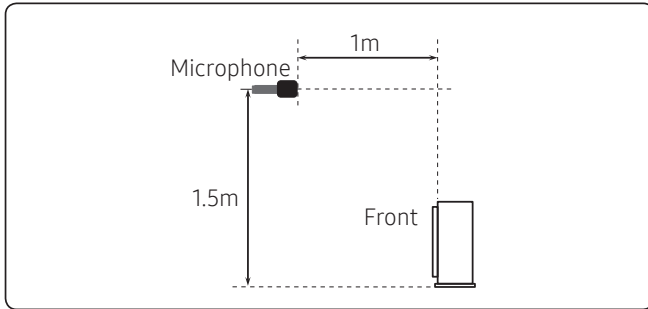
- Specifications may be subject to change without prior notice
 - Sound pressure level is obtained in an anechoic room.
 - Sound pressure level is a relative value, depending on the distance and acoustic environment.
 - Sound pressure level may differ depending on operation condition.
 - dBA = A-weighted sound pressure level
 - Reference acoustic pressure 0 dB = 20μPa

8. Sound Data

Sound Pressure level

8-1. Outdoor unit

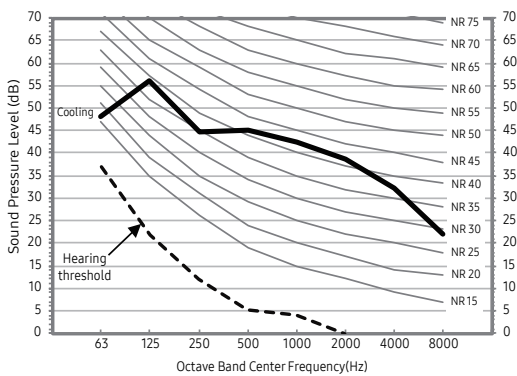
Unit: dB(A)



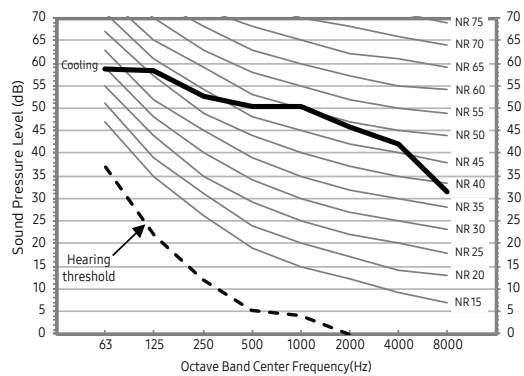
Model	dBA
AJ080RCJ4EG**	48
AJ100RCJ5EG**	54

- NR Curve

5) AJ080RCJ4EG**



6) AJ100RCJ5EG**



NOTE

- Specifications may be subject to change without prior notice
 - Sound pressure level is obtained in an anechoic room.
 - Sound pressure level is a relative value, depending on the distance and acoustic environment.
 - Sound pressure level may differ depending on operation condition.
 - dBA = A-weighted sound pressure level
 - Reference acoustic pressure 0 dB = 20μPa

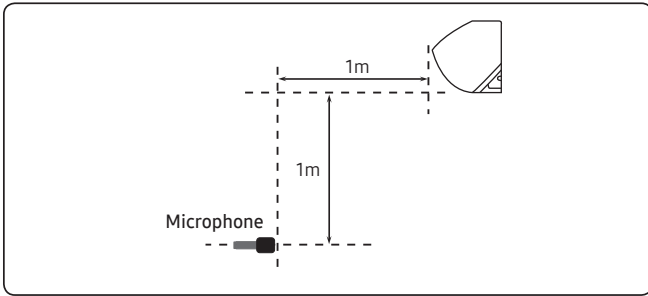
8. Sound Data

Sound Pressure level

8-2. Indoor unit

1 Wall Mounted Type : A3050 Good1

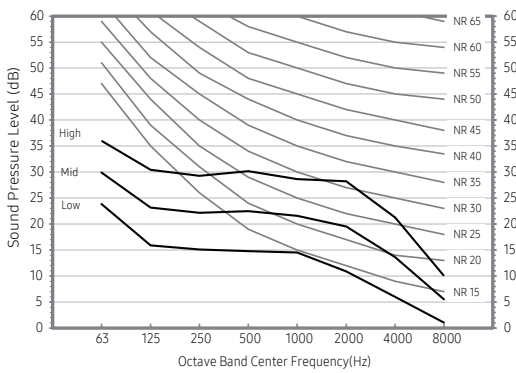
Unit: dB(A)



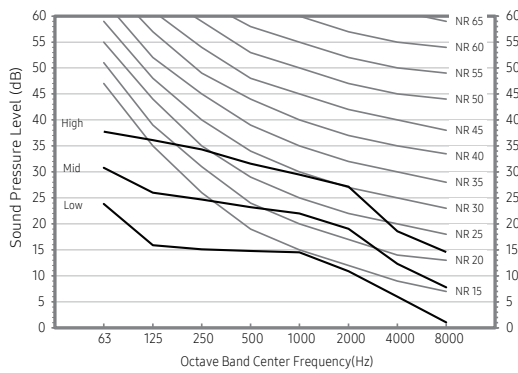
Model	High	Mid	Low
AR07*XWSA**N**	37	27	22
AR09*XWSA**N**	37	27	22
AR12*XWSA**N**	38	28	22

- NR Curve

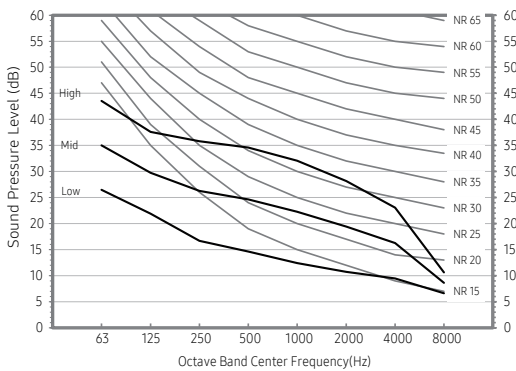
1) AR07*XWSA**N**



2) AR09*XWSA**N**



3) AR12*XWSA**N**



NOTE

- Specifications may be subject to change without prior notice
 - Sound pressure level is obtained in an anechoic room.
 - Sound pressure level is a relative value, depending on the distance and acoustic environment.
 - Sound pressure level may differ depending on operation condition.
 - dBA = A-weighted sound pressure level
 - Reference acoustic pressure 0 dB = 20μPa

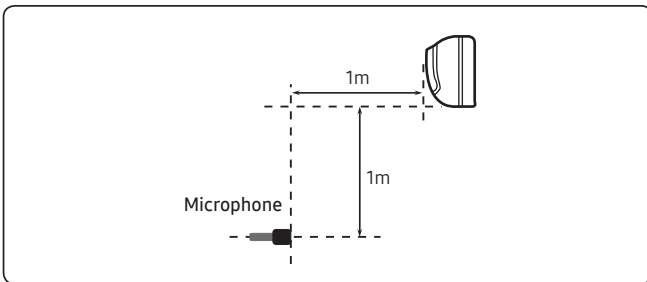
8. Sound Data

Sound Pressure level

8-2. Indoor unit

2 Wall Mounted Type : Maldives

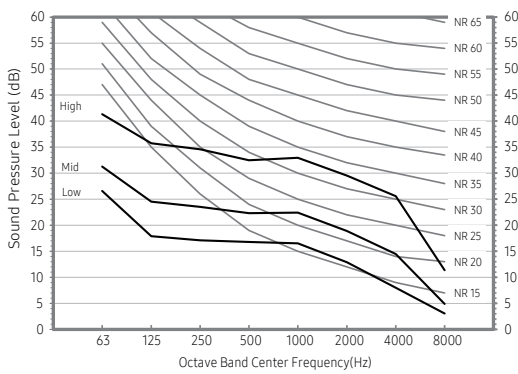
Unit: dB(A)



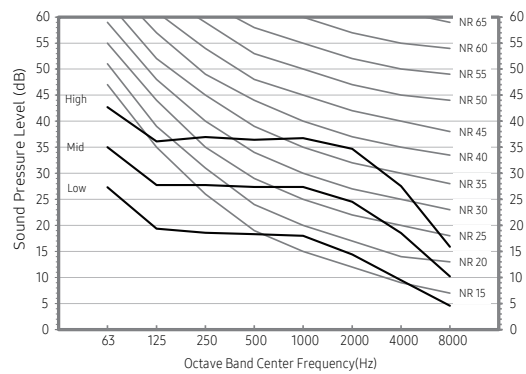
Model	High	Mid	Low
AR07*XFPEWQN**	38	28	21
AR09*XFPEWQN**	38	28	21
AR12*XFPEWQN**	42	33	23

- NR Curve

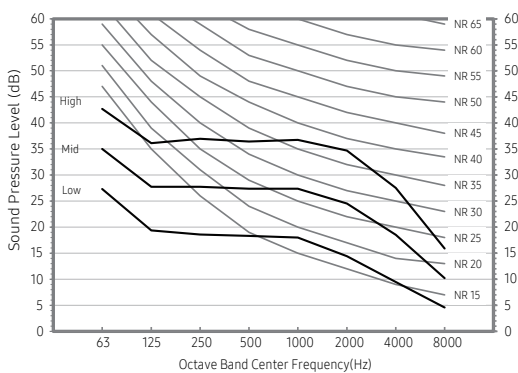
1) AR07*XFPEWQN**



2) AR09*XFPEWQN**



3) AR12*XFPEWQN**



NOTE

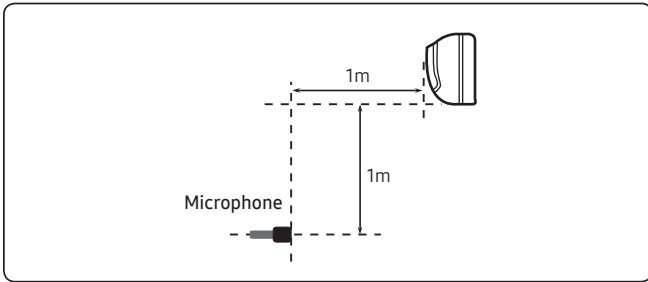
- Specifications may be subject to change without prior notice
 - Sound pressure level is obtained in an anechoic room.
 - Sound pressure level is a relative value, depending on the distance and acoustic environment.
 - Sound pressure level may differ depending on operation condition.
 - dB(A) = A-weighted sound pressure level
 - Reference acoustic pressure 0 dB = 20μPa

8. Sound Data

Sound Pressure level

8-2. Indoor unit

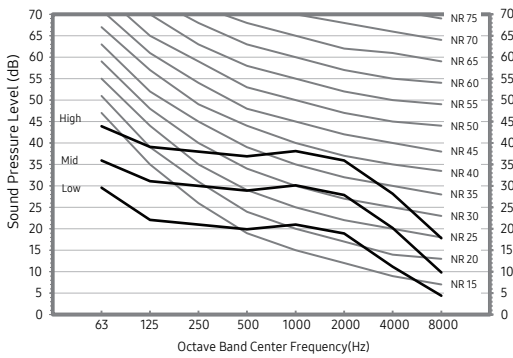
Unit: dB(A)



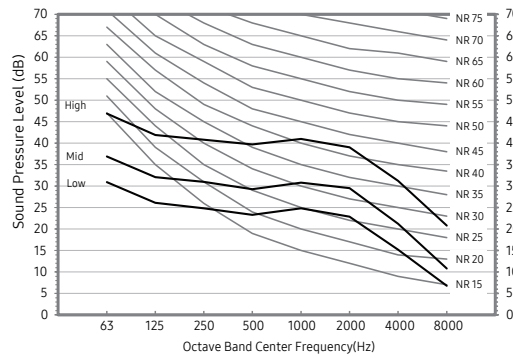
Model	High	Mid	Low
AR18*XFPEWQN**	42	34	25
AR24*XFPEWQN**	45	35	29

- NR Curve

4) AR18*XFPEWQN**



5) AR24*XFPEWQN**



NOTE

- Specifications may be subject to change without prior notice
 - Sound pressure level is obtained in an anechoic room.
 - Sound pressure level is a relative value, depending on the distance and acoustic environment.
 - Sound pressure level may differ depending on operation condition.
 - dBA = A-weighted sound pressure level
 - Reference acoustic pressure 0 dB = 20μPa

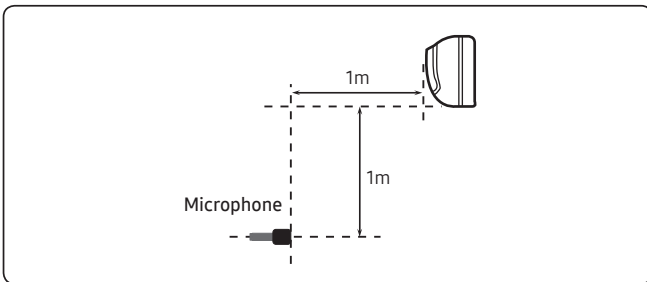
8. Sound Data

Sound Pressure level

8-2. Indoor unit

3 Wall Mounted Type : New Boracay

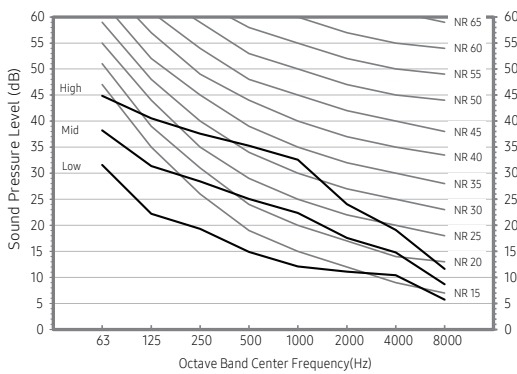
Unit: dB(A)



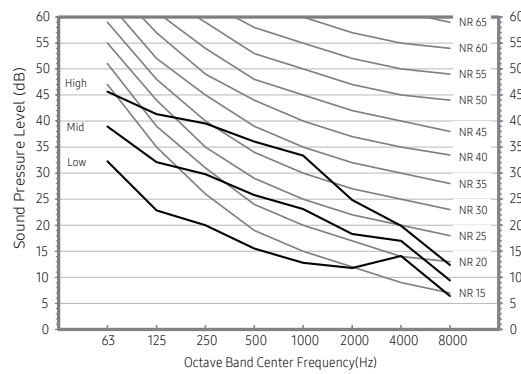
Model	High	Mid	Low
AR07NXFHBWKN**	38	30	21
AR09NXFHBWKN**	38	30	21
AR12NXFHBWKN**	42	33	21

- NR Curve

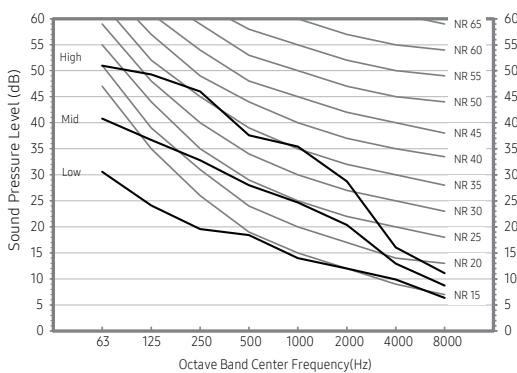
1) AR07NXFHBWKN**



2) AR09NXFHBWKN**



3) AR12NXFHBWKN**



NOTE

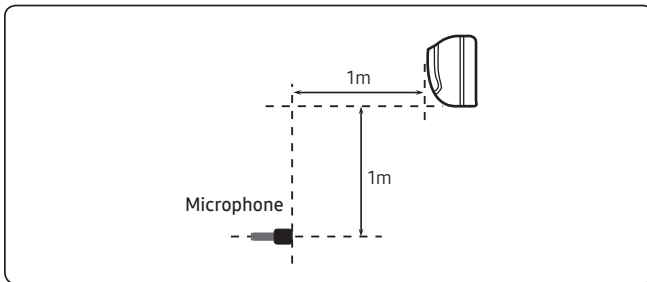
- Specifications may be subject to change without prior notice
 - Sound pressure level is obtained in an anechoic room.
 - Sound pressure level is a relative value, depending on the distance and acoustic environment.
 - Sound pressure level may differ depending on operation condition.
 - dBA = A-weighted sound pressure level
 - Reference acoustic pressure 0 dB = 20μPa

8. Sound Data

Sound Pressure level

8-2. Indoor unit

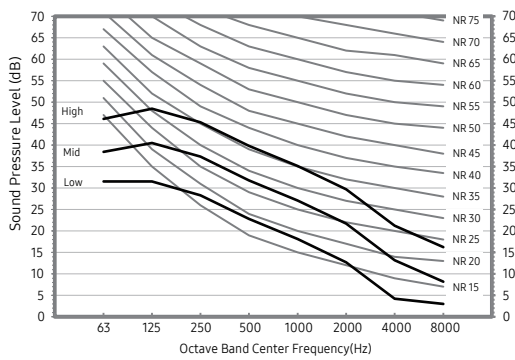
Unit: dB(A)



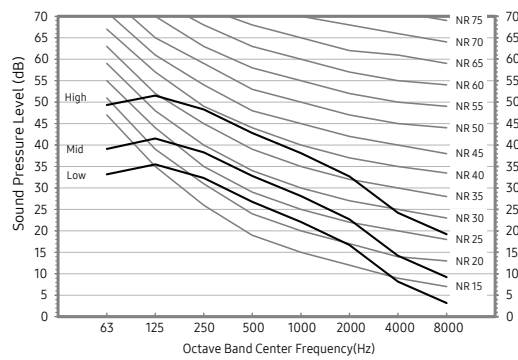
Model	High	Mid	Low
AR18RXFHBWKN**	42	34	25
AR24RXFHBWKN**	45	35	29

- NR Curve

4) AR18RXFHBWKN**



5) AR24RXFHBWKN**



NOTE

- Specifications may be subject to change without prior notice
 - Sound pressure level is obtained in an anechoic room.
 - Sound pressure level is a relative value, depending on the distance and acoustic environment.
 - Sound pressure level may differ depending on operation condition.
 - dBA = A-weighted sound pressure level
 - Reference acoustic pressure 0 dB = 20μPa

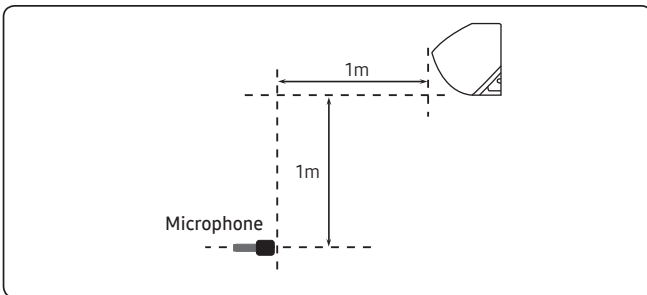
8. Sound Data

Sound Pressure level

8-2. Indoor unit

4 Wall Mounted Type : Wind-Free (A3050)

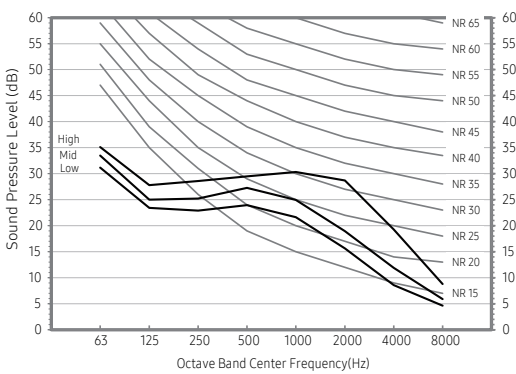
Unit: dB(A)



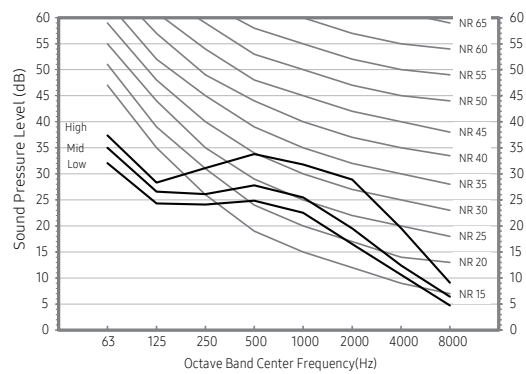
Model	High	Mid	Low
AR07*X*X*WKN**	37	30	22
AR09*X*X*WKN**	37	30	22
AR12*X*X*WKN**	38	31	22

• NR Curve

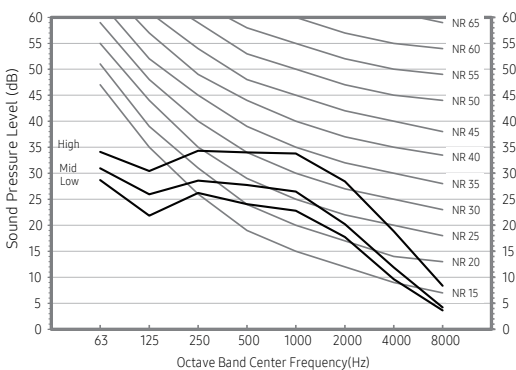
1) AR07*X*X*WKN**



2) AR09*X*X*WKN**



3) AR12*X*X*WKN**



NOTE

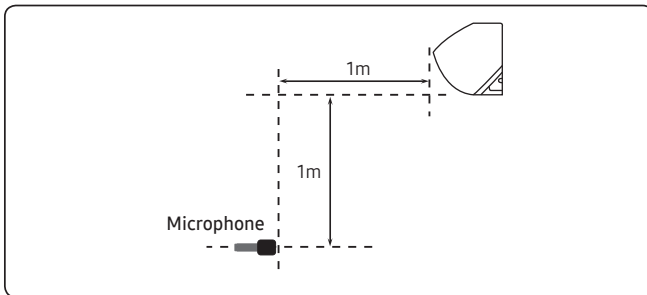
- Specifications may be subject to change without prior notice
 - Sound pressure level is obtained in an anechoic room.
 - Sound pressure level is a relative value, depending on the distance and acoustic environment.
 - Sound pressure level may differ depending on operation condition.
 - dBA = A-weighted sound pressure level
 - Reference acoustic pressure 0 dB = 20μPa

8. Sound Data

Sound Pressure level

8-2. Indoor unit

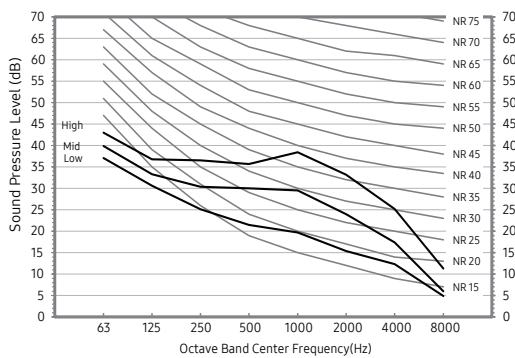
Unit: dB(A)



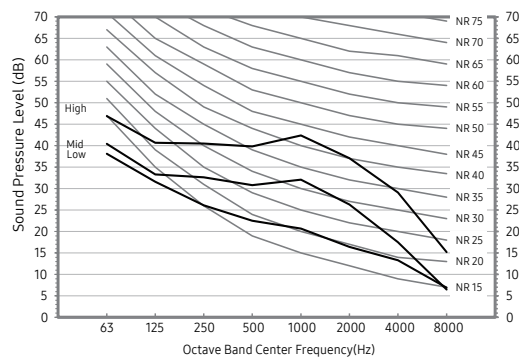
Model	High	Mid	Low
AR18*X*X*WKN**	41	33	25
AR24*X*X*WKN**	45	35	26

- NR Curve

4) AR18*X*X*WKN**



5) AR24*X*X*WKN**



NOTE

- Specifications may be subject to change without prior notice
 - Sound pressure level is obtained in an anechoic room.
 - Sound pressure level is a relative value, depending on the distance and acoustic environment.
 - Sound pressure level may differ depending on operation condition.
 - dBA = A-weighted sound pressure level
 - Reference acoustic pressure 0 dB = 20μPa

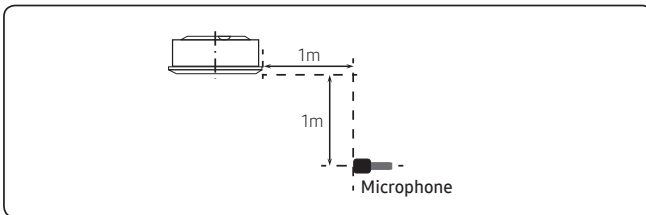
8. Sound Data

Sound Pressure level

8-2. Indoor unit

5 Wind-Free 1Way Cassette

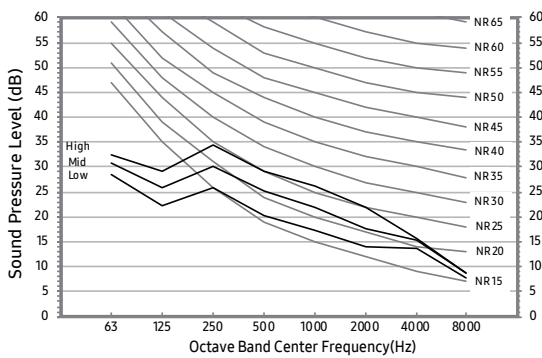
Unit: dB(A)



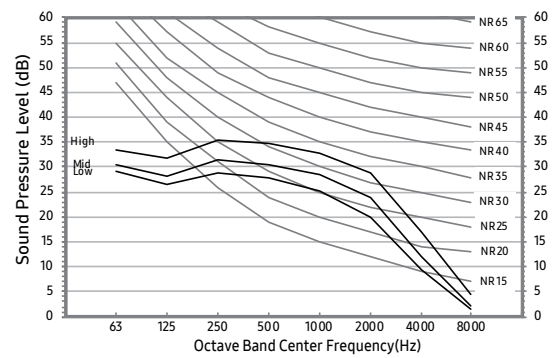
Model	High	Mid	Low
AJ026RB1DEG**	32	29	26
AJ035RB1DEG**	37	33	30

- NR Curve

1) AJ026RB1DEG**



2) AJ035RB1DEG**



NOTE

- Specifications may be subject to change without prior notice.
 - Sound pressure level is obtained in an anechoic room.
 - Sound pressure level is a relative value, depending on the distance and acoustic environment.
 - Sound pressure level may differ depending on operation condition.
 - dBA = A weighted sound pressure level
 - Reference acoustic pressure 0 dB = 20μPa

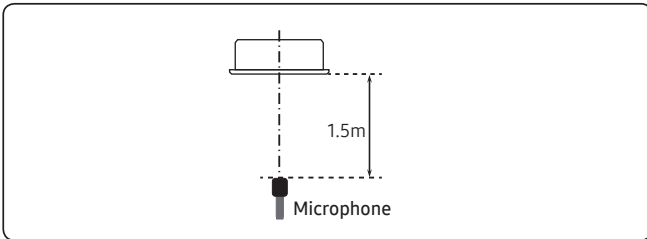
8. Sound Data

Sound Pressure level

8-2. Indoor unit

6 Wind-Free 4Way Cassette (600x600)

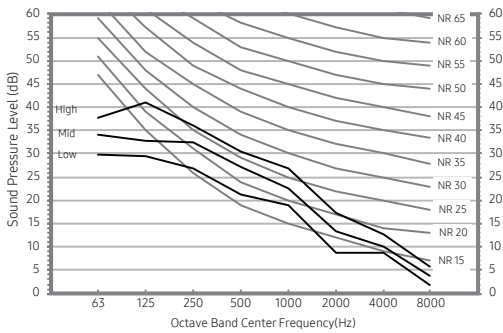
Unit: dB(A)



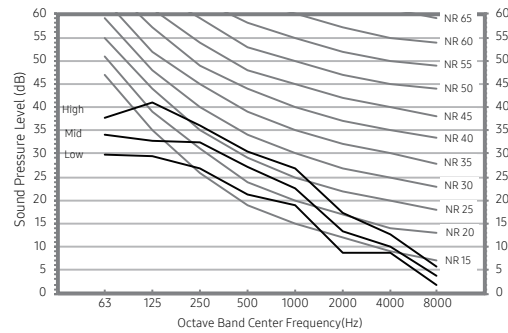
Model	High	Mid	Low
AJ016RBNDEG**	33	29	24
AJ020RBNDEG**	33	29	24
AJ026RBNDEG**	33	29	24
AJ035RBNDEG**	35	31	27
AJ052RBNDEG**	39	36	32

- NR Curve

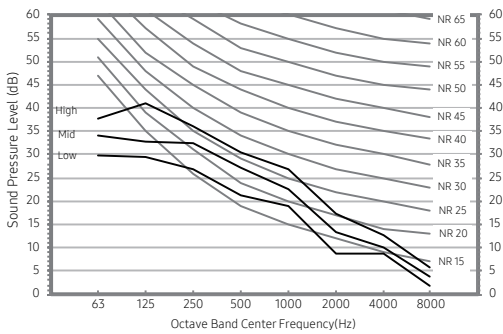
1) AJ016RBNDEG**



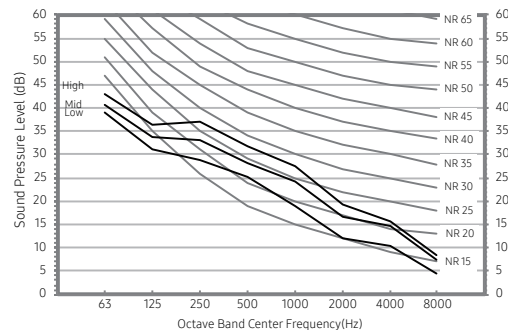
2) AJ020RBNDEG**



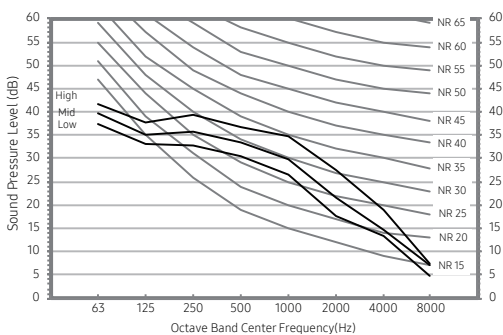
3) AJ026RBNDEG**



4) AJ035RBNDEG**



5) AJ052RBNDEG**



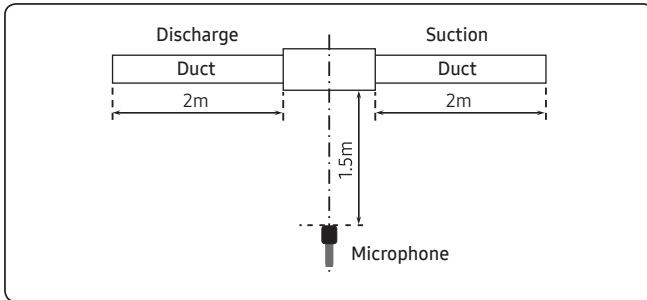
8. Sound Data

Sound Pressure level

8-2. Indoor unit

7 Slim Duct, MSP Duct

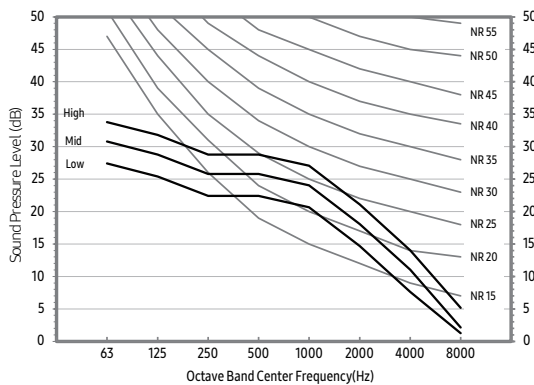
Unit: dB(A)



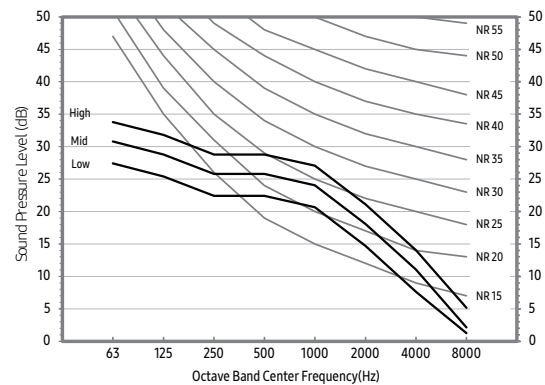
Model	High	Mid	Low
AJ026RBLDEG**	30	28	25
AJ035RBLDEG**	32	30	27
AJ052RBMDEG**	42	41	39

• NR Curve

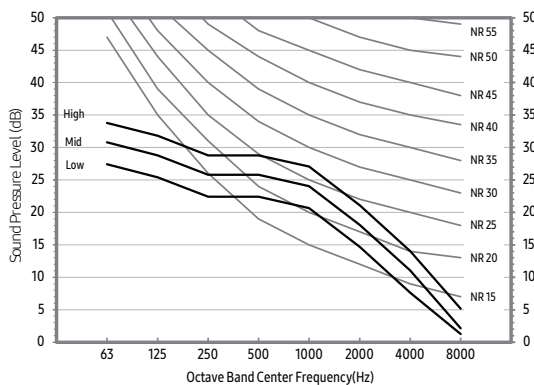
1) AJ026RBLDEG**



2) AJ035RBLDEG**



3) AJ052RBMDEG**



NOTE

- Specifications may be subject to change without prior notice.
 - Sound pressure level is obtained in an anechoic room.
 - Sound pressure level is a relative value, depending on the distance and acoustic environment.
 - Sound pressure level may differ depending on operation condition.
 - dBA = A weighted sound pressure level
 - Reference acoustic pressure 0 dB = 20μPa

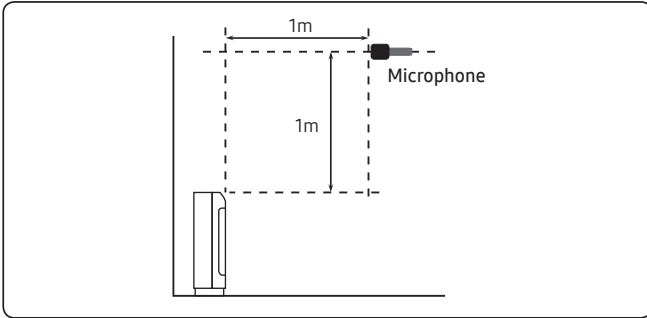
8. Sound Data

Sound Pressure level

8-2. Indoor unit

8 Console

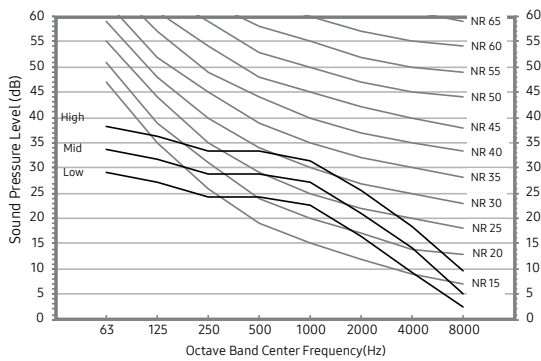
Unit: dB(A)



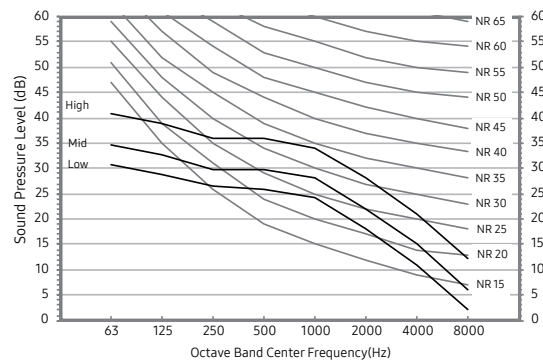
Model	High	Mid	Low
AJ026RBJDEG**	36	32	27
AJ035RBJDEG**	38	34	29
AJ052RBJDEG**	40	36	32

- NR Curve

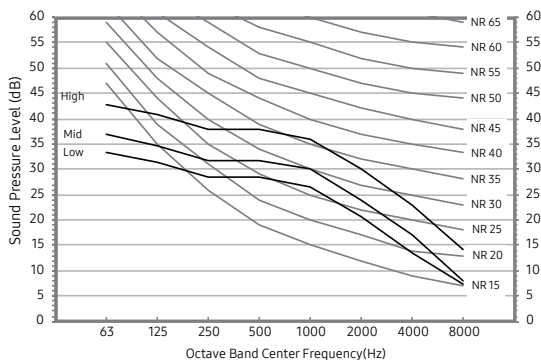
1) AJ026RBJDEG/EU



2) AJ035RBJDEG/EU



3) AJ052RBJDEG/EU



NOTE

- Specifications may be subject to change without prior notice.
 - Sound pressure level is obtained in an anechoic room.
 - Sound pressure level is a relative value, depending on the distance and acoustic environment.
 - Sound pressure level may differ depending on operation condition.
 - dB(A) = A weighted sound pressure level
 - Reference acoustic pressure 0 dB = 20μPa

8. Sound Data

Sound Power level

8-3. Outdoor unit

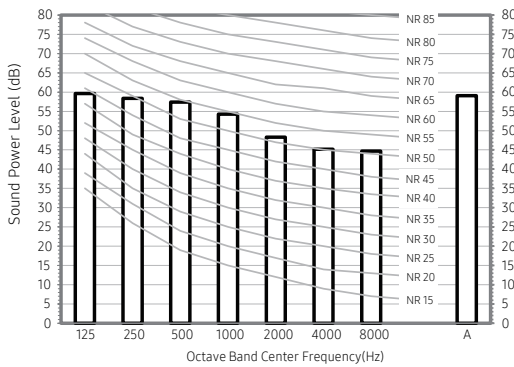
Unit: dB(A)

NOTE

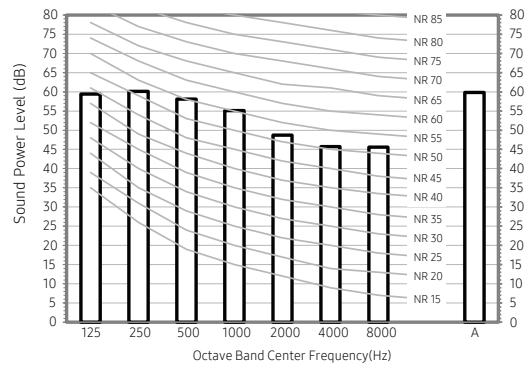
- Specifications may be subject to change without prior notice
 - Sound power level is an absolute value that a sound source generates.
 - dBA = A-weighted sound power level.
 - Reference power : 1pW.
 - Measured according to ISO 3741.

Model	Power
AJ040NCJ2EG**	60
AJ050NCJ2EG**	61
AJ052RCJ3EG**	61
AJ068RCJ3EG**	64

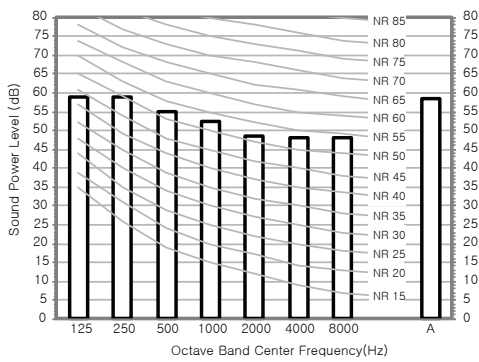
1) AJ040NCJ2EG**



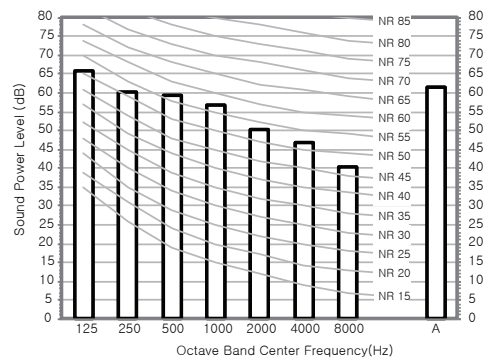
2) AJ050NCJ2EG**



3) AJ052RCJ3EG**



4) AJ068RCJ3EG**



8. Sound Data

Sound Power level

8-3. Outdoor unit

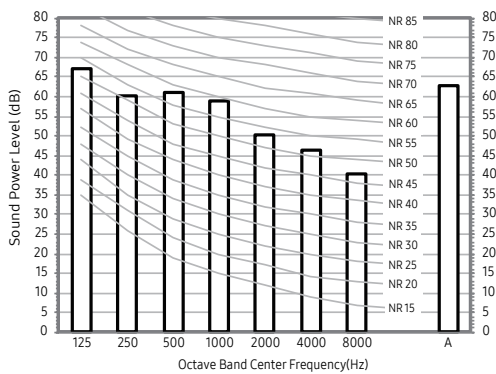
NOTE

- Specifications may be subject to change without prior notice
 - Sound power level is an absolute value that a sound source generates.
 - dBA = A-weighted sound power level.
 - Reference power : 1pW.
 - Measured according to ISO 3741.

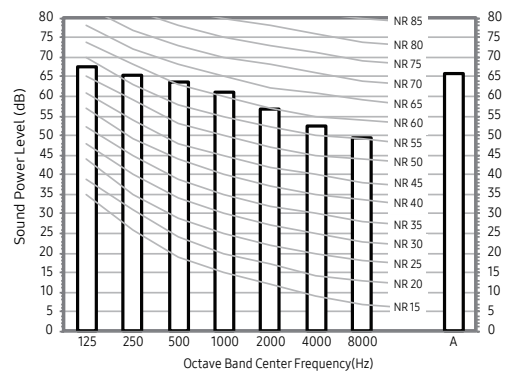
Unit: dB(A)

Model	Power
AJ080RCJ4EG**	64
AJ100RCJ5EG**	70

5) AJ080RCJ4EG**



6) AJ100RCJ5EG**



8. Sound Data

Sound Power level

8-4. Indoor unit

1 Wall Mounted Type : A3050 Good1

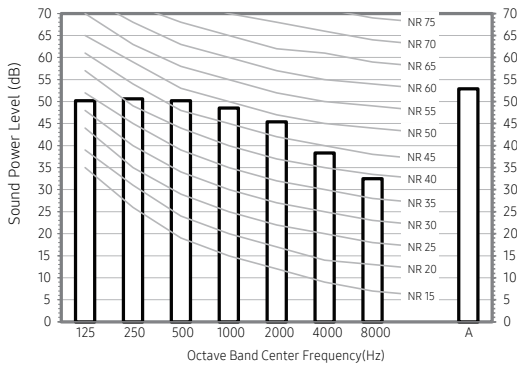
Unit: dB(A)

NOTE

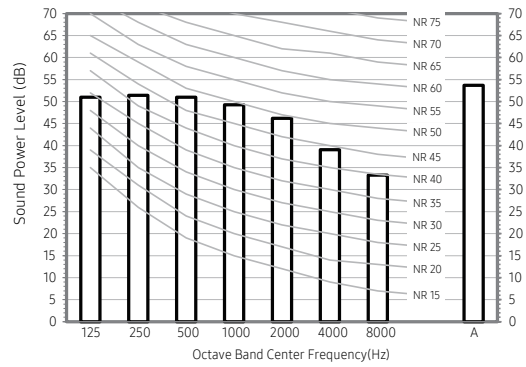
- Specifications may be subject to change without prior notice
 - Sound power level is an absolute value that a sound source generates.
 - dBA = A-weighted sound power level.
 - Reference power : 1pW.
 - Measured according to ISO 3741.

Model	Power
AR07*XWSA**N**	54
AR09*XWSA**N**	54
AR12*XWSA**N**	56

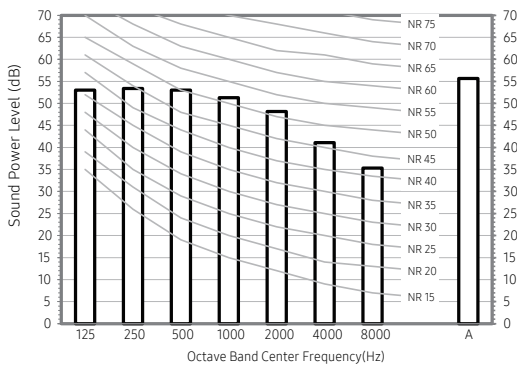
1) AR07*XWSA**N**



2) AR09*XWSA**N**



3) AR12*XWSA**N**



8. Sound Data

Sound Power level

8-4. Indoor unit

2 Wall Mounted Type : Maldives

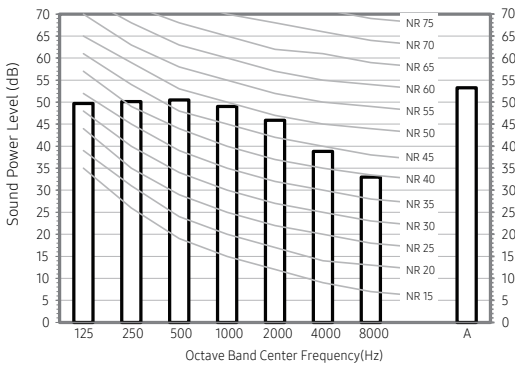
Unit: dB(A)

NOTE

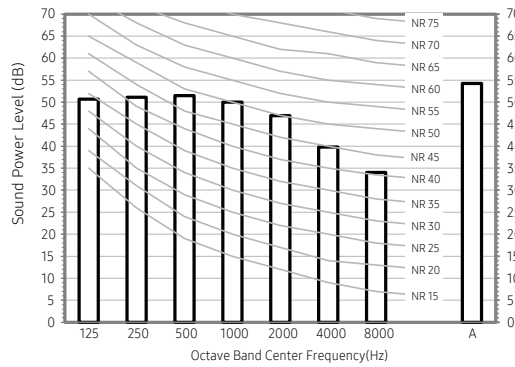
- Specifications may be subject to change without prior notice
 - Sound power level is an absolute value that a sound source generates.
 - dBA = A-weighted sound power level.
 - Reference power : 1pW.
 - Measured according to ISO 3741.

Model	Power
AR07*XFPEWQN**	56
AR09*XFPEWQN**	56
AR12*XFPEWQN**	59
AR18*XFPEWQN**	58
AR24*XFPEWQN**	63

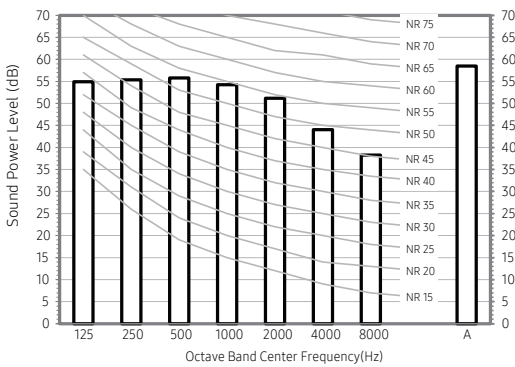
1) AR07*XFPEWQN**



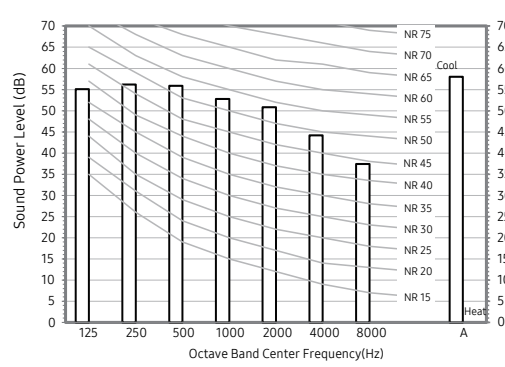
2) AR09*XFPEWQN**



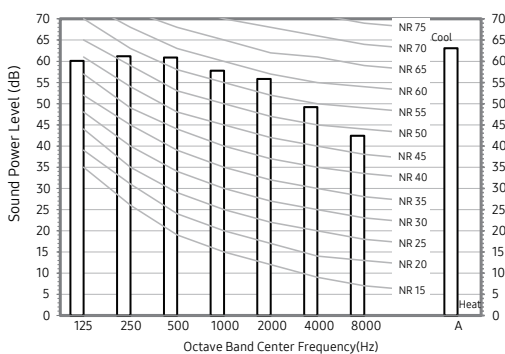
3) AR12*XFPEWQN**



4) AR18*XFPEWQN**



5) AR24*XFPEWQN**



8. Sound Data

Sound Power level

8-4. Indoor unit

3 Wall Mounted Type : New Boracay

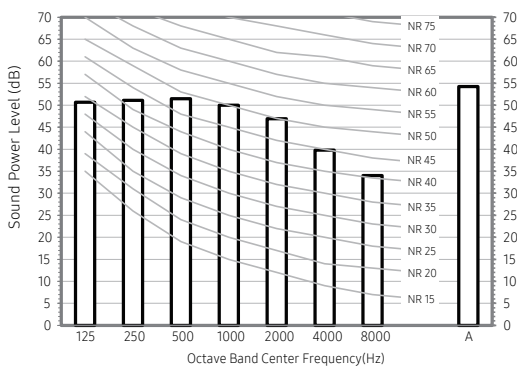
Unit: dB(A)

NOTE

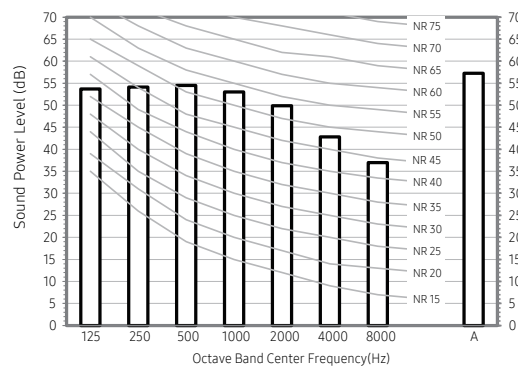
- Specifications may be subject to change without prior notice
 - Sound power level is an absolute value that a sound source generates.
 - dB(A) = A-weighted sound power level.
 - Reference power : 1pW.
 - Measured according to ISO 3741.

Model	Power
AR07NXFHBWKN**	56
AR09NXFHBWKN**	56
AR12NXFHBWKN**	59
AR18RXFHBWKN**	58
AR24RXFHBWKN**	63

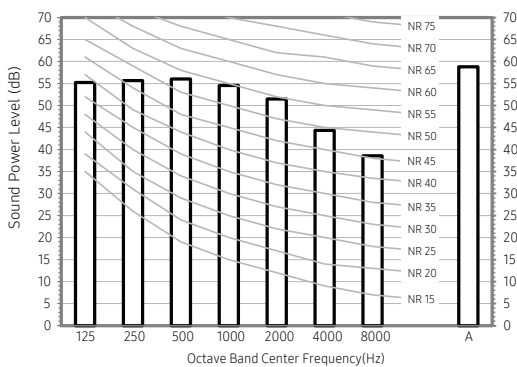
1) AR07NXFHBWKN**



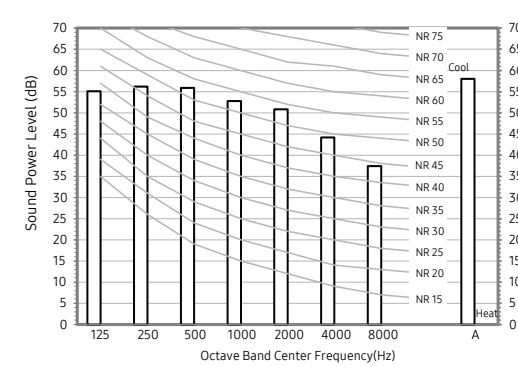
2) AR09NXFHBWKN**



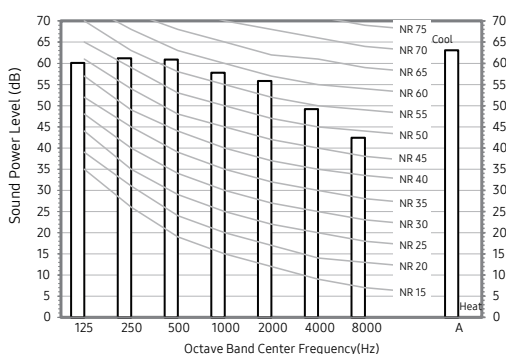
3) AR12NXFHBWKN**



4) AR18RXFHBWKN**



5) AR24RXFHBWKN**



8. Sound Data

Sound Power level

8-4. Indoor unit

4 Wall Mounted Type : Wind-Free

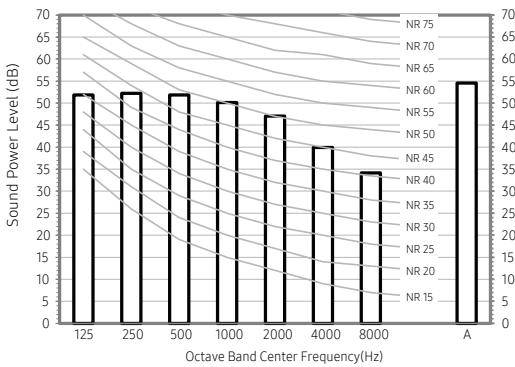
Unit: dB(A)

NOTE

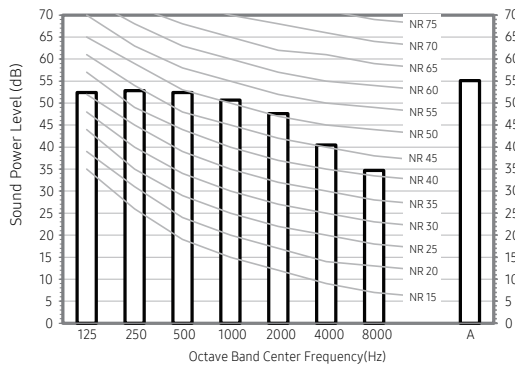
- Specifications may be subject to change without prior notice
 - Sound power level is an absolute value that a sound source generates.
 - dB(A) = A-weighted sound power level.
 - Reference power : 1pW.
 - Measured according to ISO 3741.

Model	Power
AR07*X*X*WKN**	56
AR09*X*X*WKN**	56
AR12*X*X*WKN**	58
AR18*X*X*WKN**	58
AR24*X*X*WKN**	62

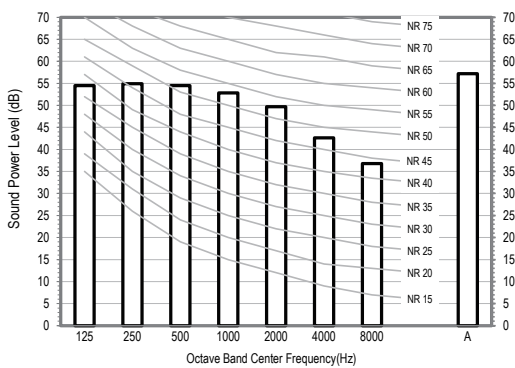
1) AR07*X*X*WKN**



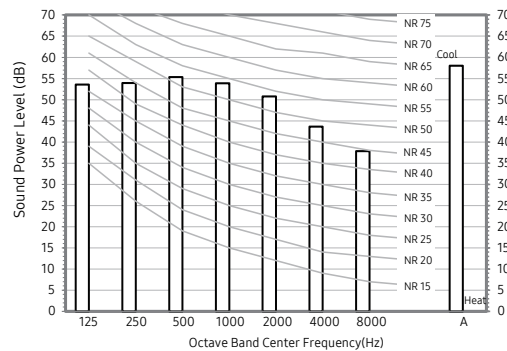
2) AR09*X*X*WKN**



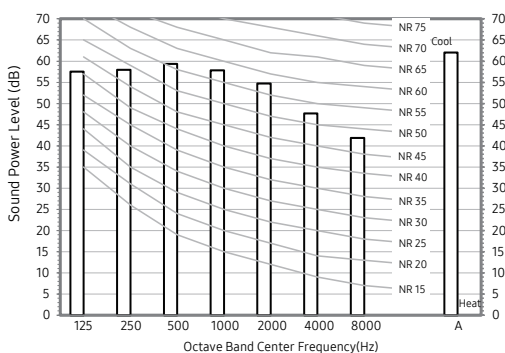
3) AR12*X*X*WKN**



4) AR18*X*X*WKN**



5) AR24*X*X*WKN**



8. Sound Data

Sound Power level

8-4. Indoor unit

5 Wind-Free 1Way Cassette

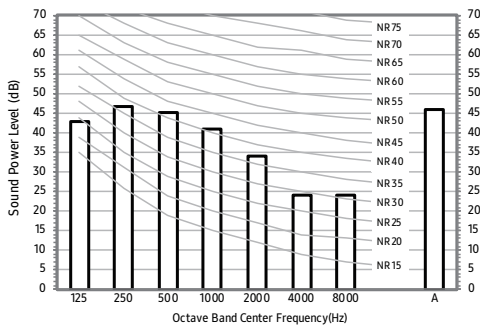
Unit: dB(A)

NOTE

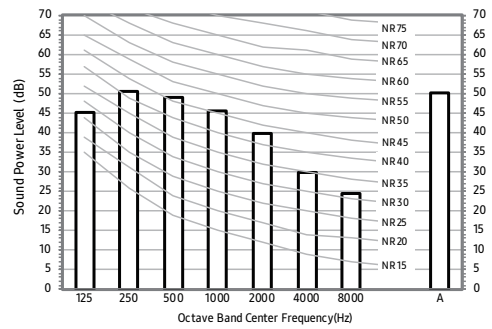
- Specifications may be subject to change without prior notice
 - Sound power level is an absolute value that a sound source generates.
 - dBA = A-weighted sound power level.
 - Reference power : 1pW.
 - Measured according to ISO 3741.

Model	Power
AJ026RB1DEG**	50
AJ035RB1DEG**	55

1) AJ026RB1DEG**



2) AJ035RB1DEG**



8. Sound Data

Sound Power level

8-4. Indoor unit

6 Wind-Free 4Way Cassette (600x600)

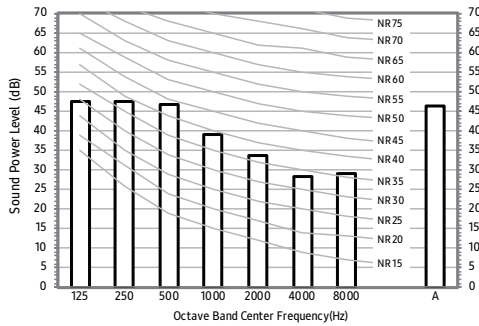
NOTE

- Specifications may be subject to change without prior notice
 - Sound power level is an absolute value that a sound source generates.
 - dB(A) = A-weighted sound power level.
 - Reference power : 1pW.
 - Measured according to ISO 3741.

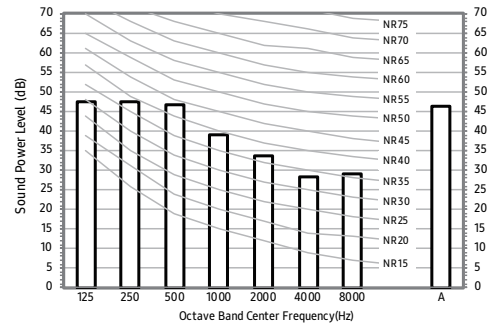
Unit: dB(A)

Model	Power
AJ016RBNDEG**	49
AJ020RBNDEG**	49
AJ026RBNDEG**	49
AJ035RBNDEG**	53
AJ052RBNDEG**	55

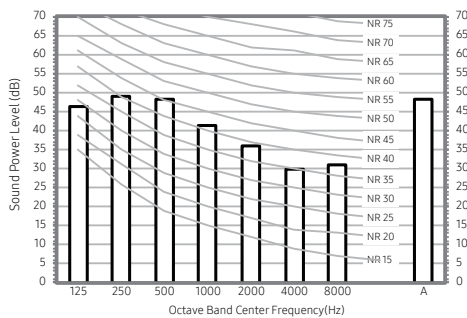
1) AJ016RBNDEG**



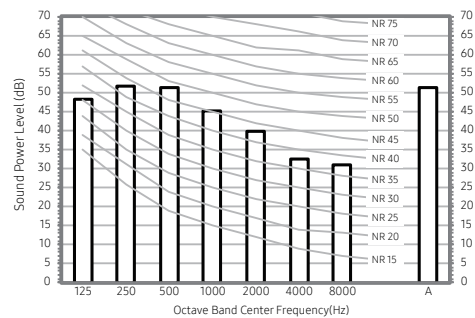
2) AJ020RBNDEG**



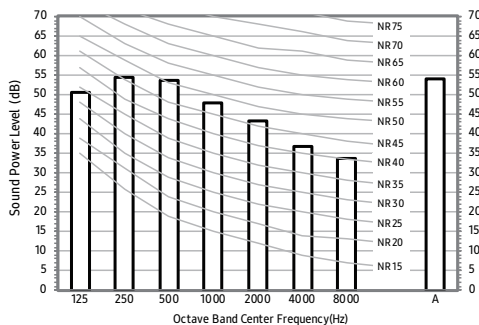
3) AJ026RBNDEG**



4) AJ035RBNDEG**



5) AJ052RBNDEG**



8. Sound Data

Sound Power level

8-4. Indoor unit

7 Slim Duct, MSP Duct

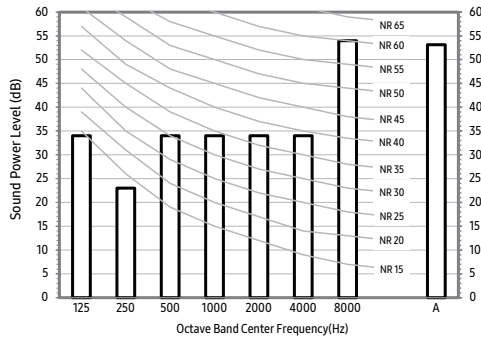
NOTE

- Specifications may be subject to change without prior notice
 - Sound power level is an absolute value that a sound source generates.
 - dB(A) = A-weighted sound power level.
 - Reference power : 1pW.
 - Measured according to ISO 3741.

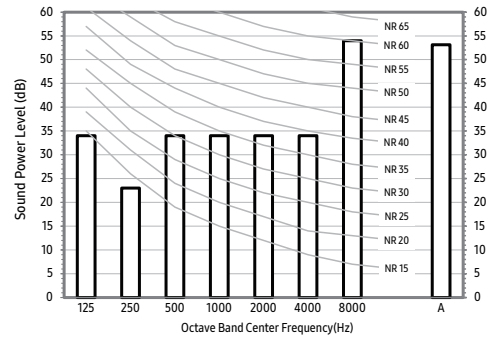
Unit: dB(A)

Model	Power
AJ026RBLDEG**	53
AJ035RBLDEG**	53
AJ052RBMDEG**	59

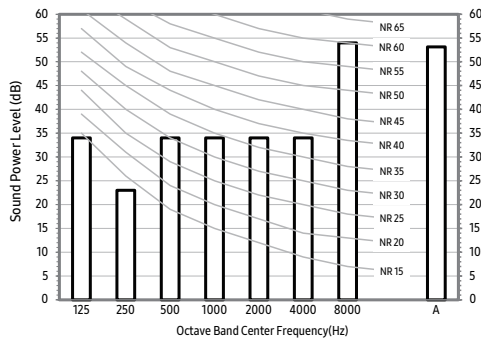
1) AJ026RBLDEG**



2) AJ035RBLDEG**



3) AJ052RBMDEG**



8. Sound Data

Sound Power level

8-4. Indoor unit

8 Console

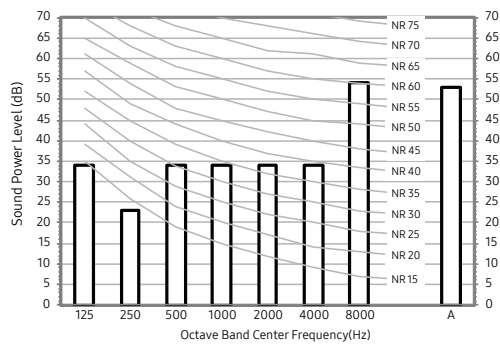
NOTE

- Specifications may be subject to change without prior notice
 - Sound power level is an absolute value that a sound source generates.
 - dBA = A-weighted sound power level.
 - Reference power : 1pW.
 - Measured according to ISO 3741.

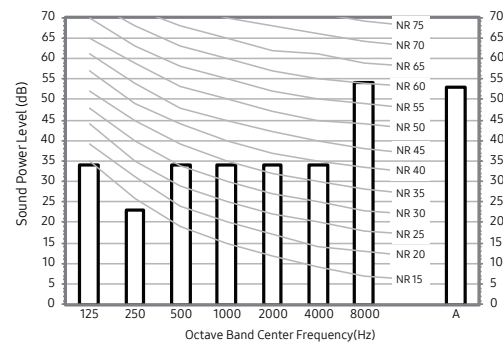
Unit: dB(A)

Model	Power
AJ026RBJDEG**	53
AJ035RBJDEG**	57
AJ052RBJDEG**	60

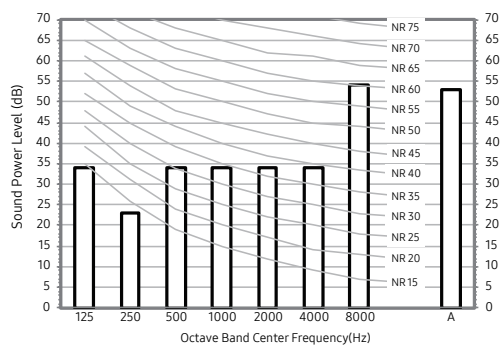
1) AJ026RBJDEG**



2) AJ035RBJDEG**



3) AJ052RBJDEG**



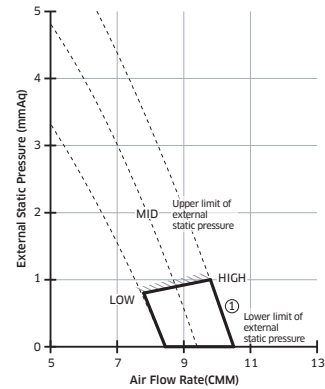
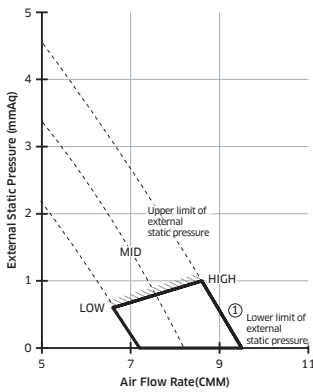
9. Fan Characteristics (PQ curve)

9-1 Slim Duct - AJ026RBLDEG**

9-2 Slim Duct - AJ035RBLDEG**

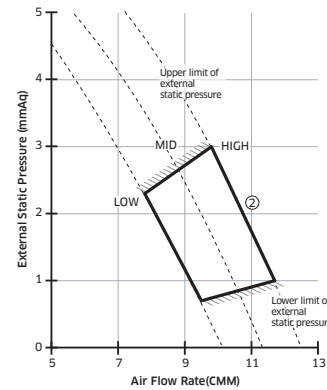
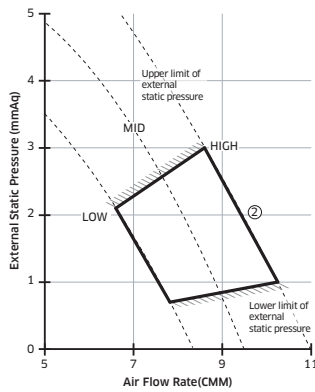
1	External Static Pressure[mmAq]	Option Code
	$0 \leq SP \leq 1.0$	015201-1400Fb-200000-300000

1	External Static Pressure[mmAq]	Option Code
	$0 \leq SP \leq 1.0$	015201-16025d-200000-300000



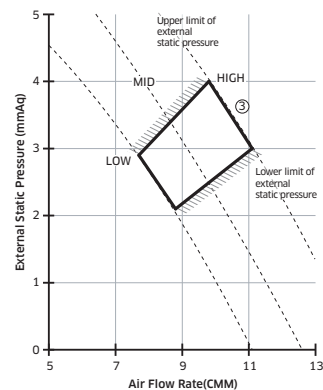
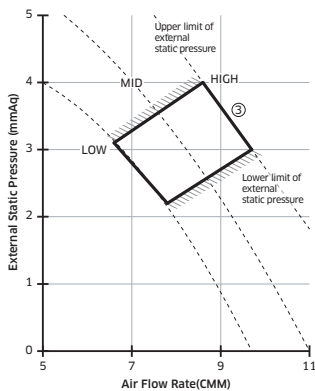
2	External Static Pressure[mmAq]	Option Code
	$1.0 < SP \leq 3.0$ (Default)	015201-14020C-200000-300000

2	External Static Pressure[mmAq]	Option Code
	$1 < SP \leq 3.0$ (Default)	015201-16026E-200000-300000



3	External Static Pressure[mmAq]	Option Code
	$3.0 < SP \leq 4.0$	015201-1403A2-200000-300000

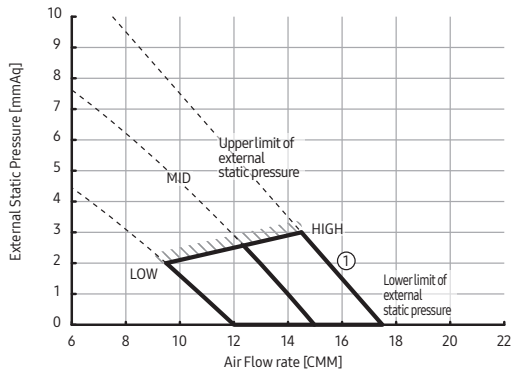
3	External Static Pressure[mmAq]	Option Code
	$3 < SP \leq 4.0$	015203-160108-200000-300000



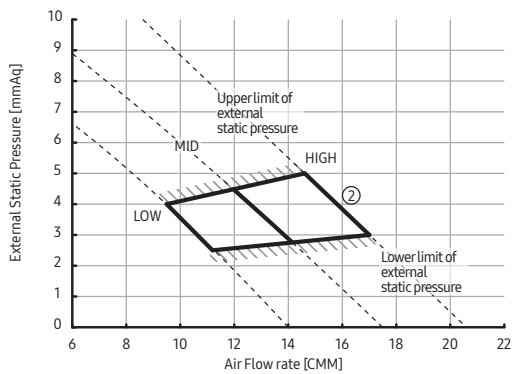
9. Fan Characteristics (PQ curve)

9-3. MSP Duct - AJ052RBMDEG**

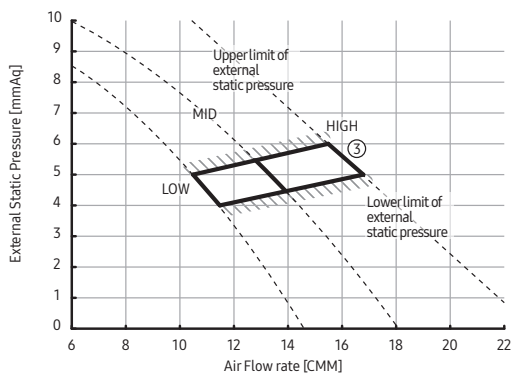
	External Static Pressure[mmAq]	Option Code
1	$0 \leq SP \leq 3.0$	012221-194360-200000-300000



	External Static Pressure[mmAq]	Option Code
2	$3.0 < SP \leq 5.0$ (Default)	012221-1943A2-200000-300000

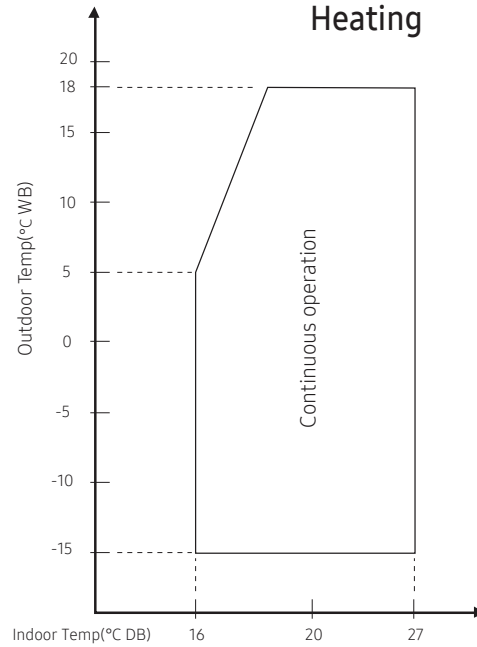
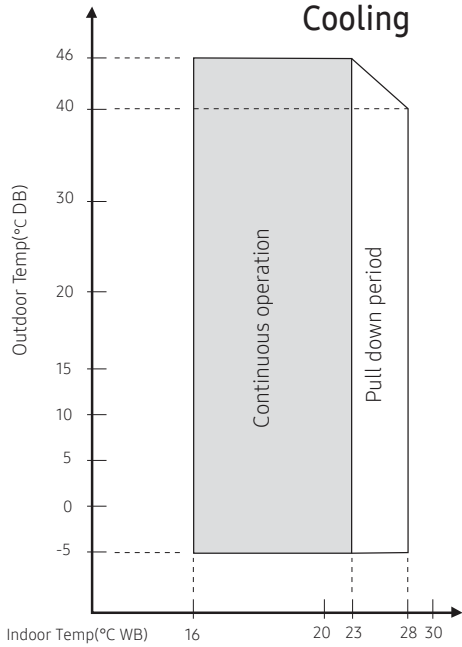


	External Static Pressure[mmAq]	Option Code
3	$5.0 < SP \leq 6.0$	012223-194105-200000-300000



10. Operation Range

AJ040NCJ2EG**, AJ050NCJ2EG**

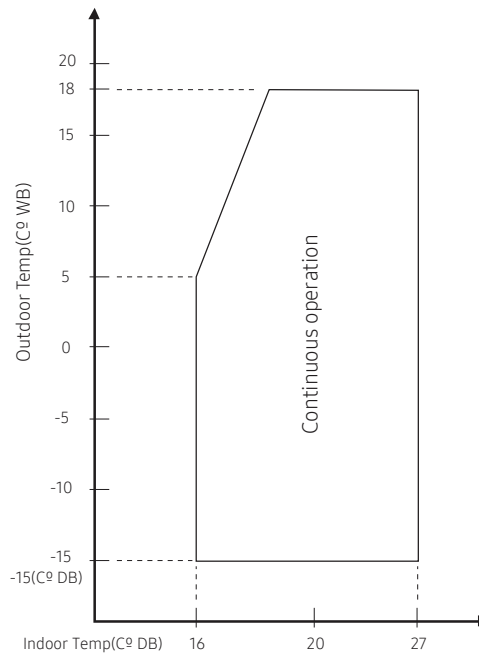
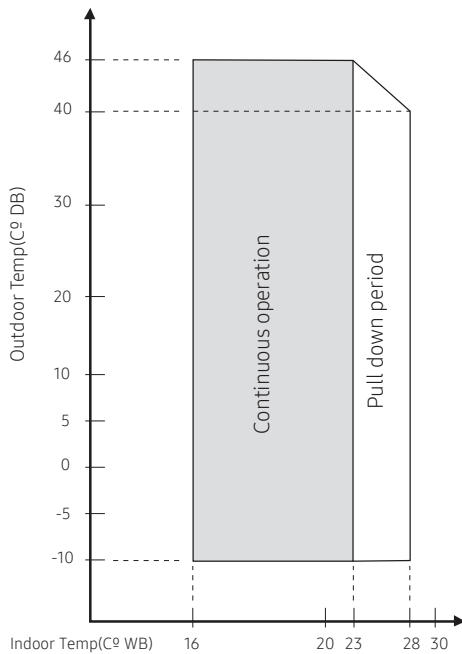


The graphs are based on the following conditions.

- 1. Equivalent piping length
AJ040/050NCJ2EG** : 5m

- 2. Level difference 0m
- 3. Air flow rate High

AJ052RCJ3EG**, AJ068RCJ3EG**, AJ080RCJ4EG**, AJ100RCJ5EG**



The graphs are based on the following conditions.

- 1. Equivalent piping length

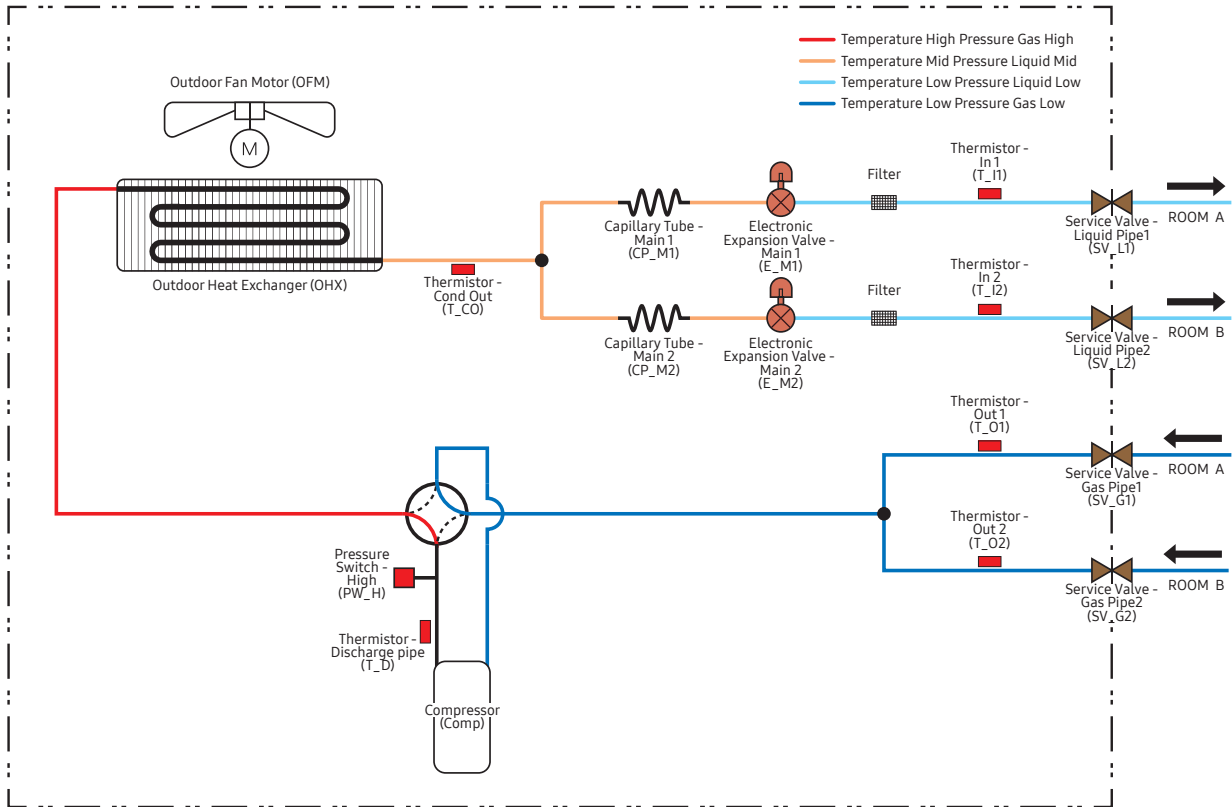
AJ052/068RCJ3EG**, AJ080RCJ4EG**, AJ100RCJ5EG** : 5m

- 2. Level difference 0m
- 3. Air flow rate High

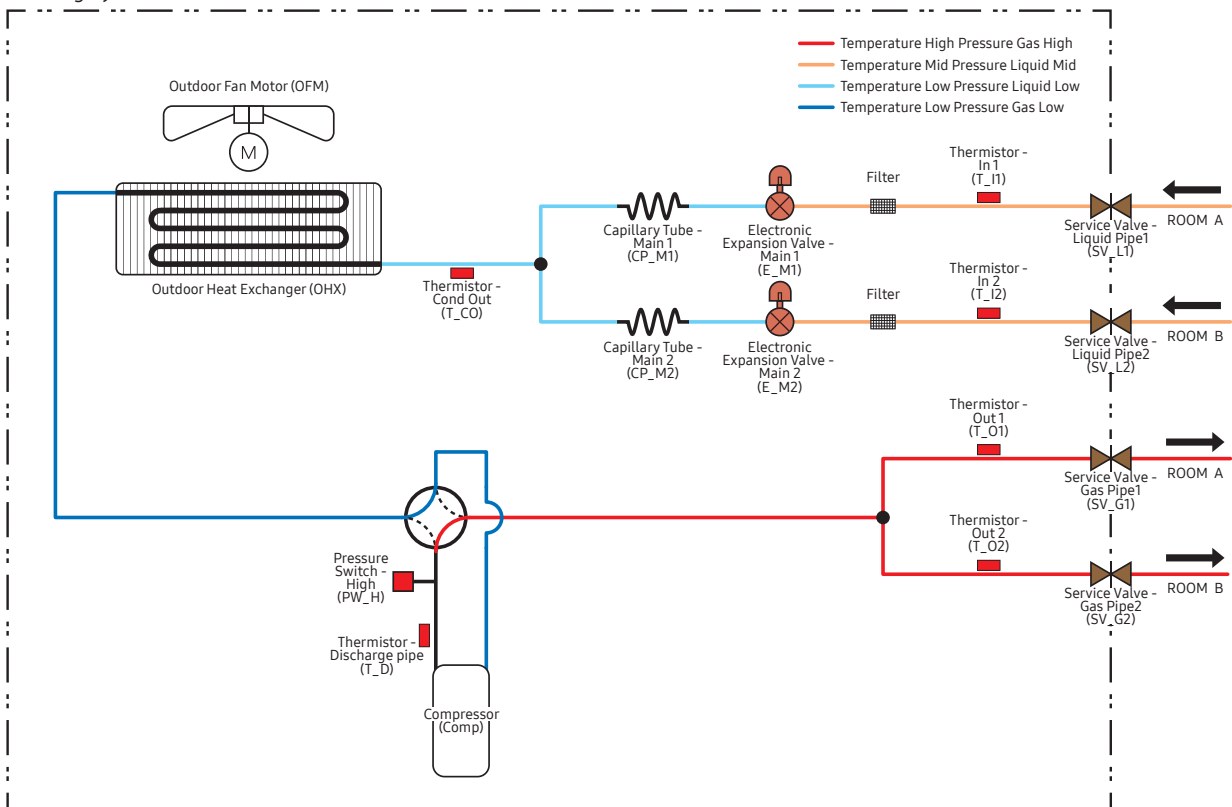
11. Piping Diagram

AJ040NCJ2EG**, AJ050NCJ2EG**

Cooling System



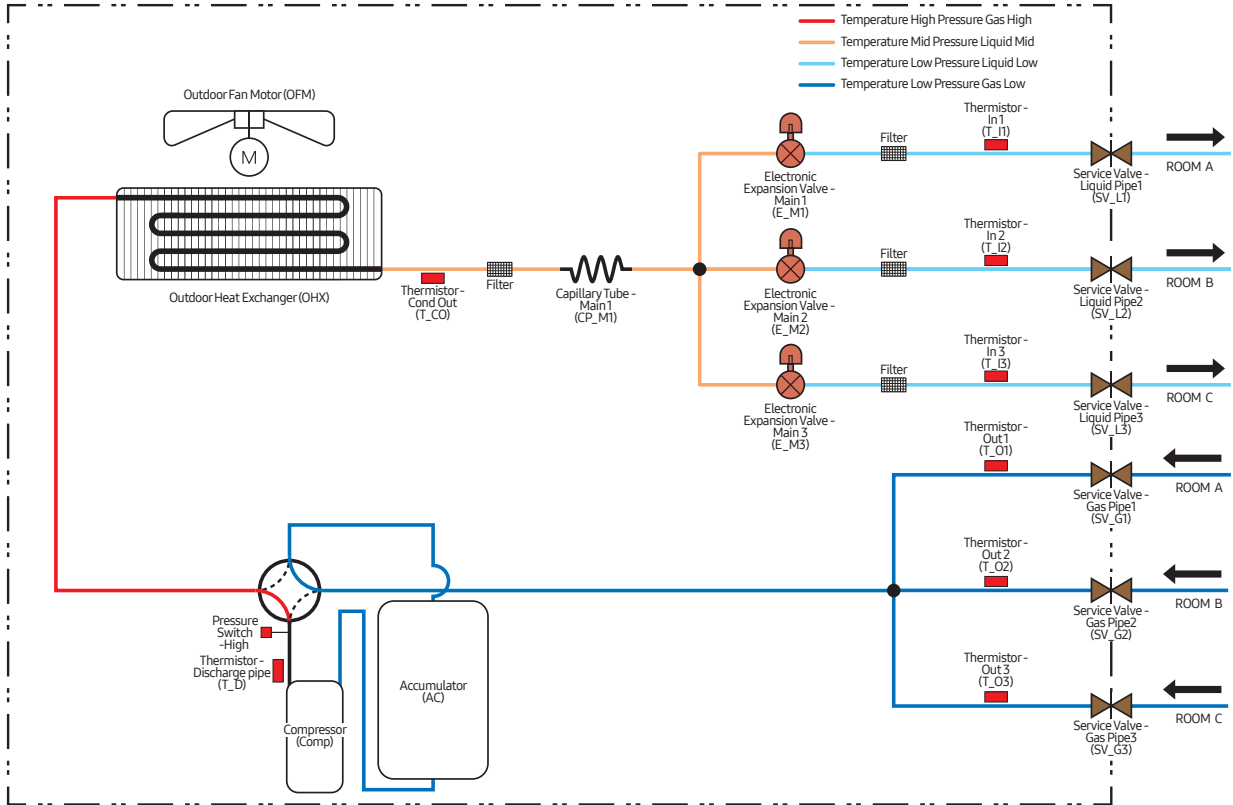
Heating System



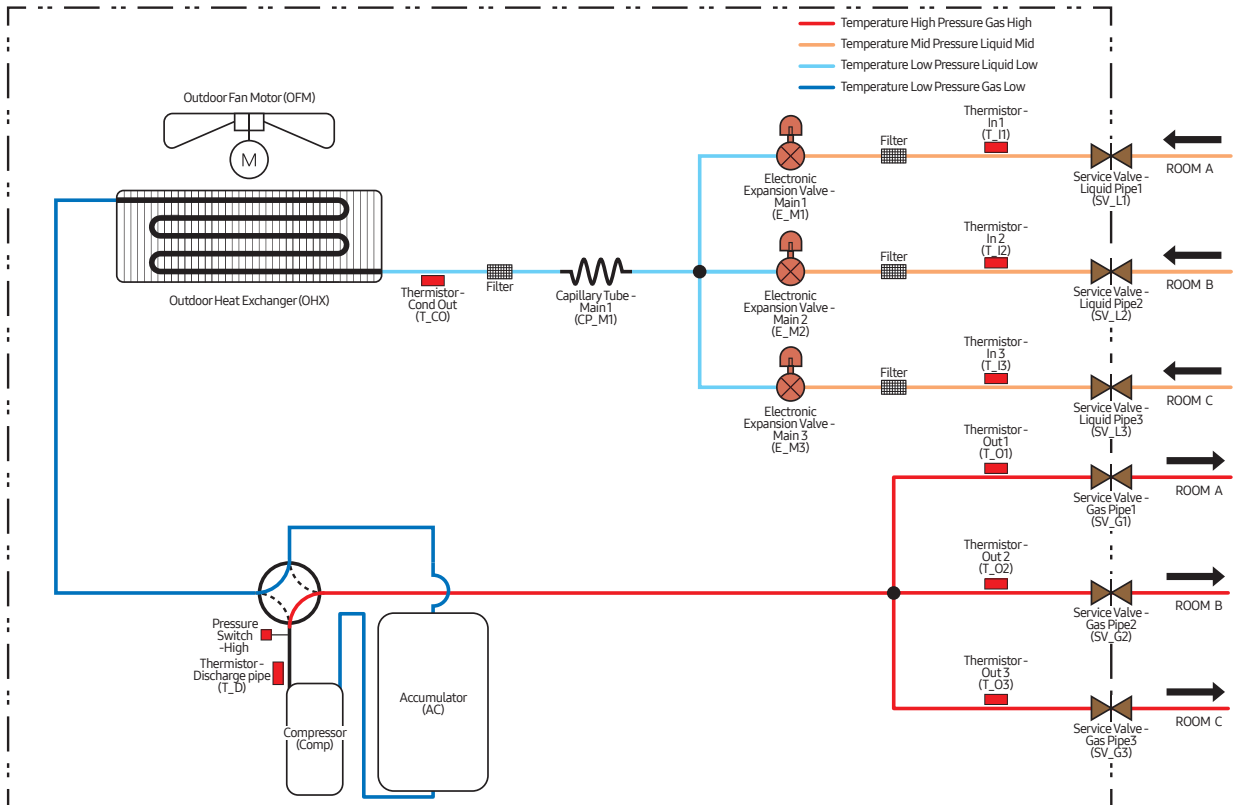
11. Piping Diagram

AJ052RCJ3EG**

Cooling System



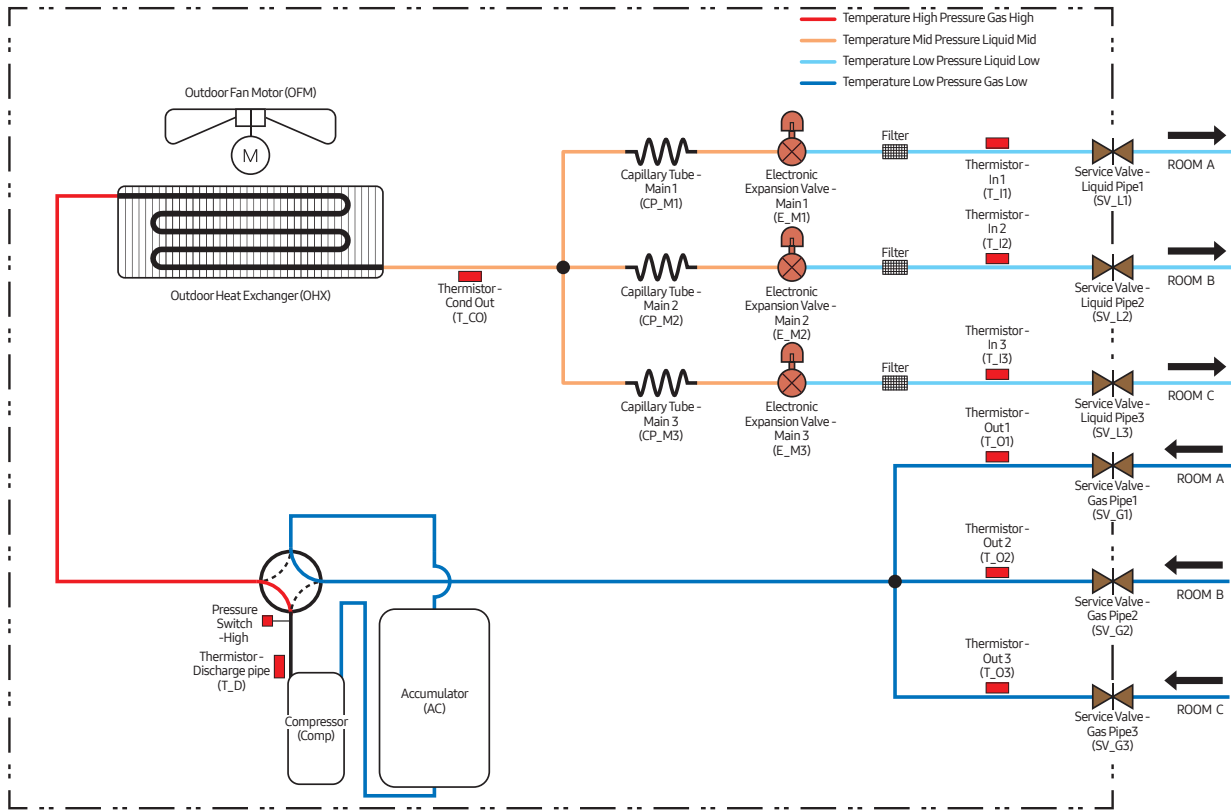
Heating System



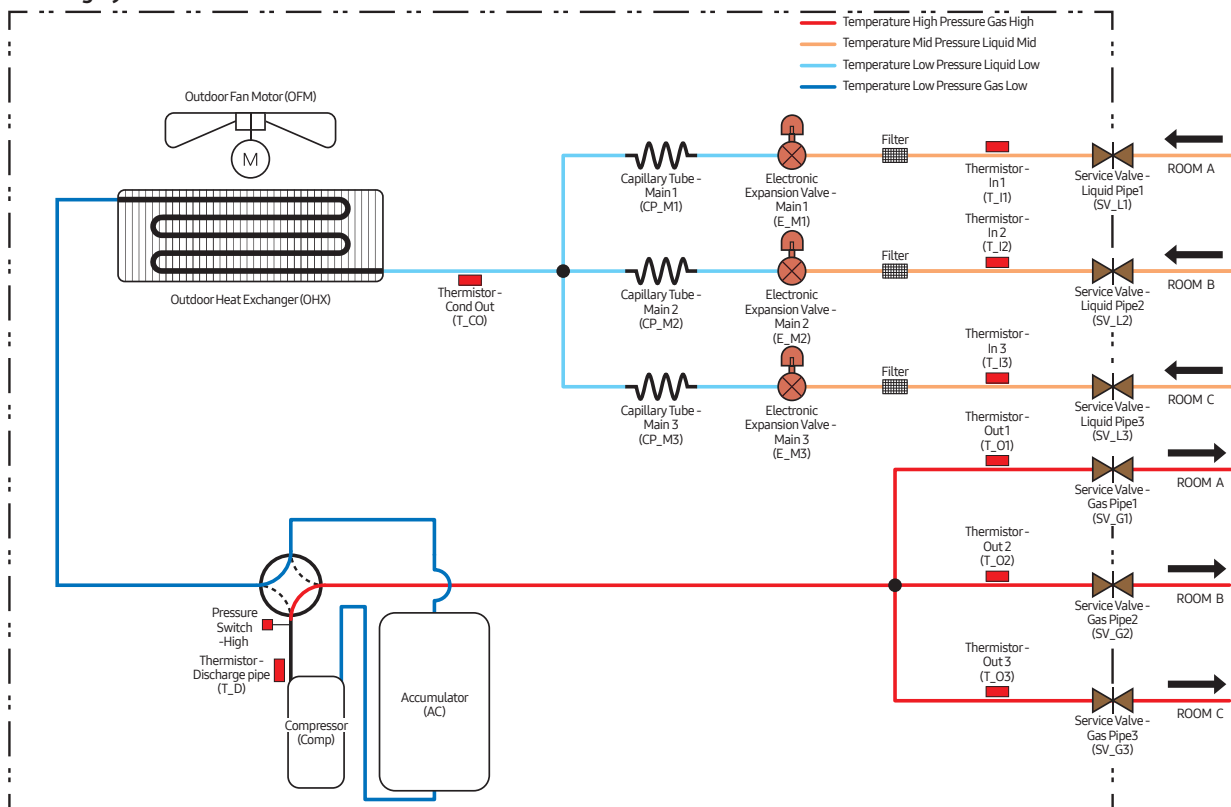
11. Piping Diagram

AJ068RCJ3EG**

Cooling System



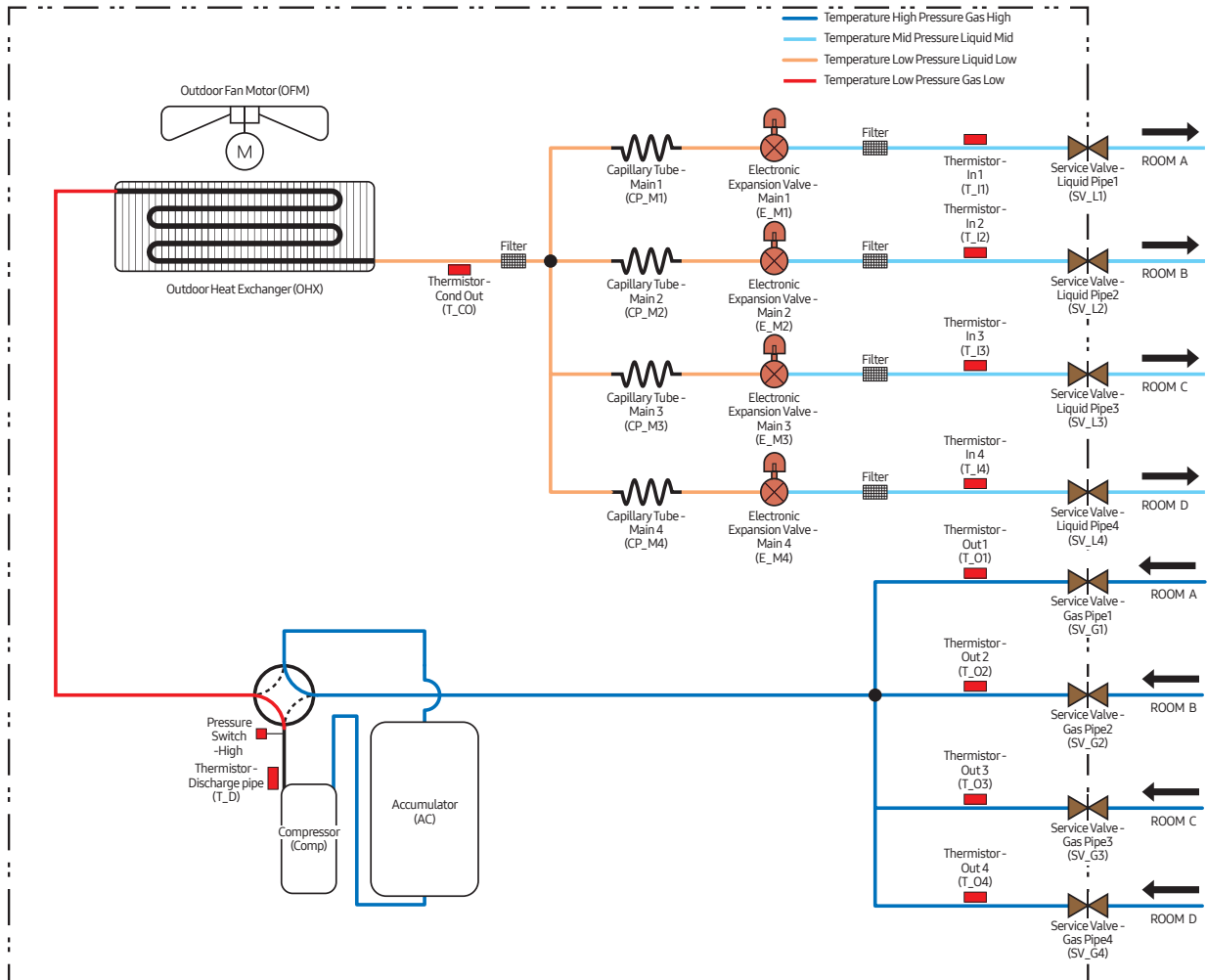
Heating System



11. Piping Diagram

AJ080RCJ4EG**

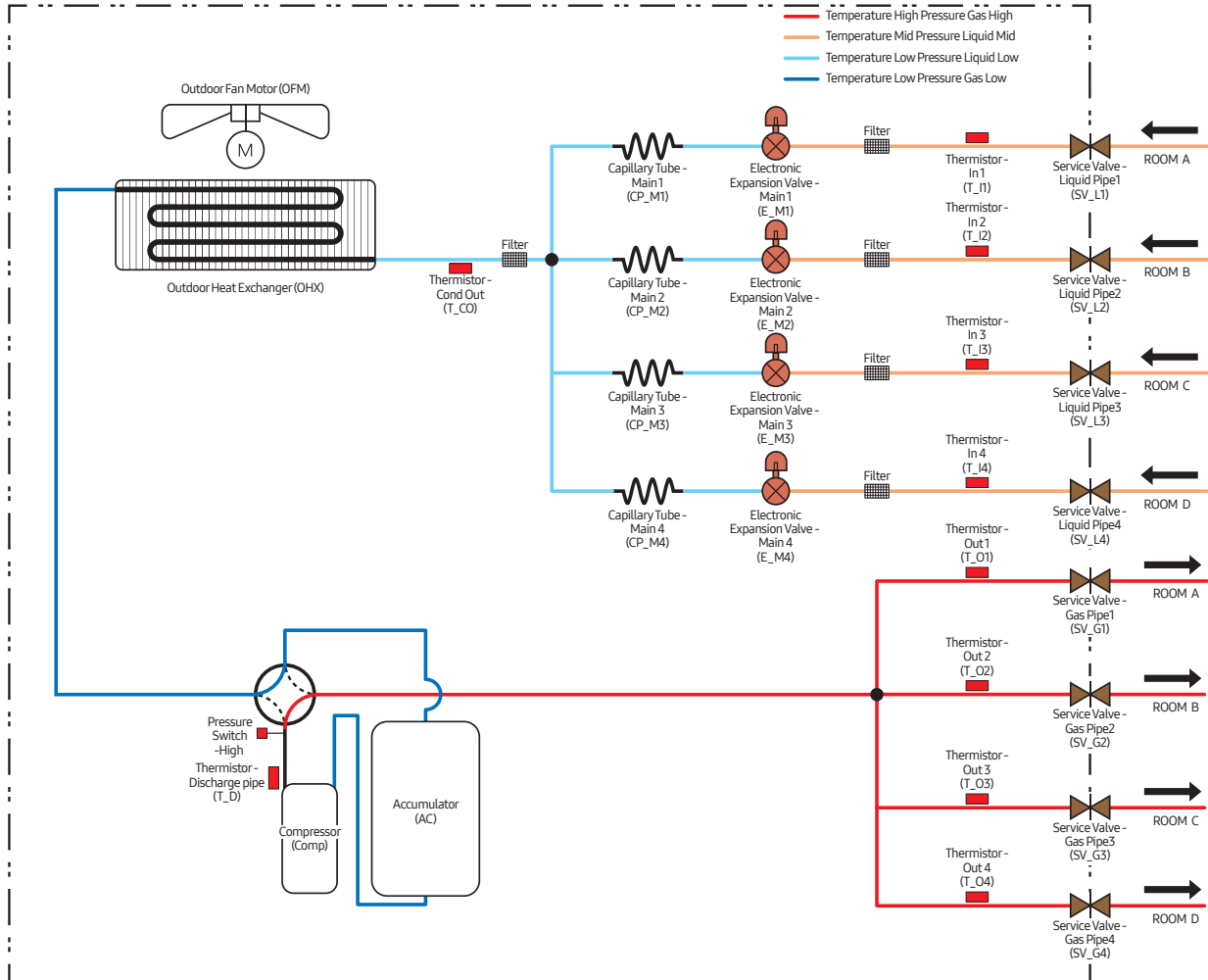
Cooling System



11. Piping Diagram

AJ080RCJ4EG**

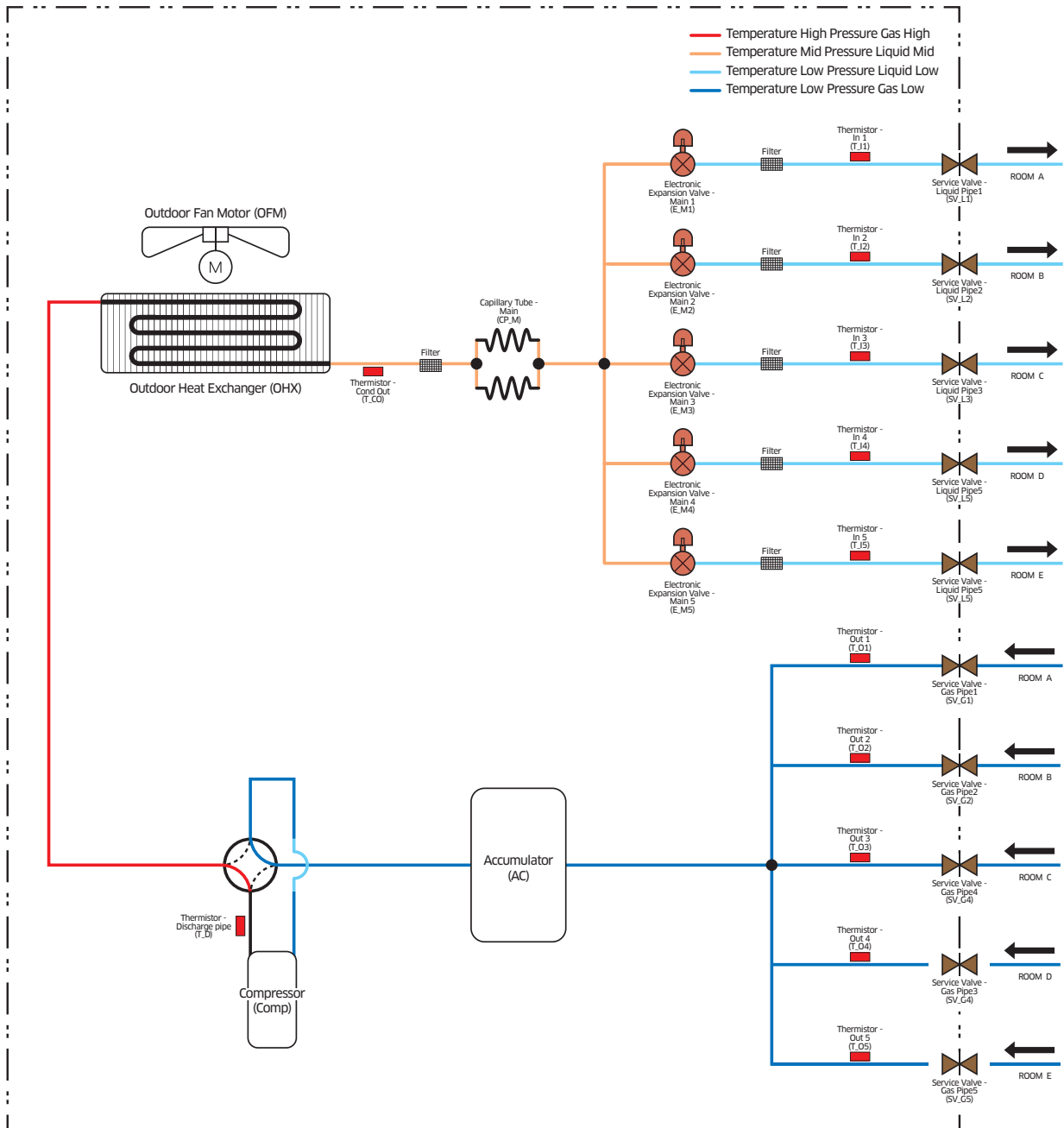
Heating System



11. Piping Diagram

AJ100RCJ5EG**

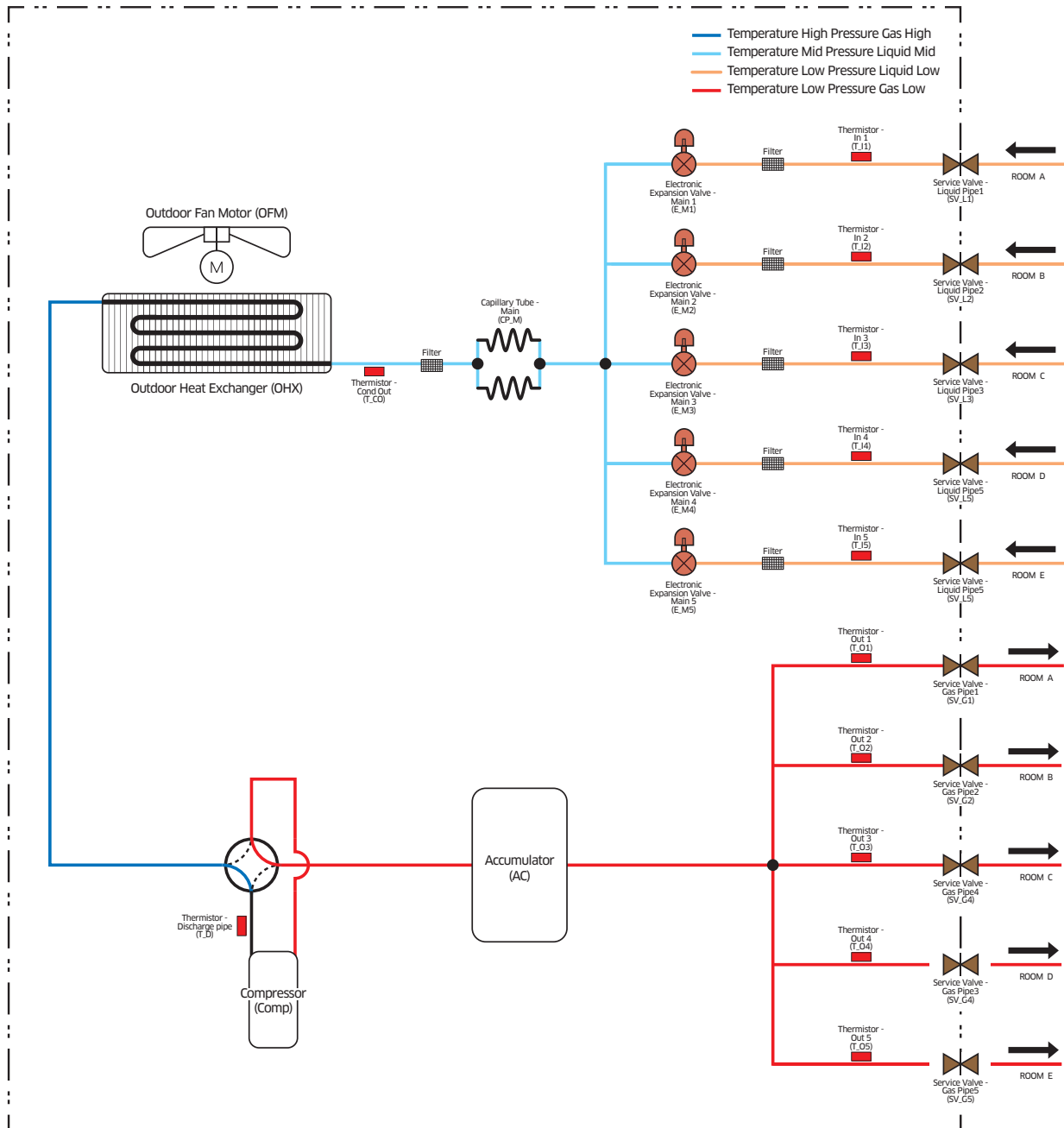
Cooling System



11. Piping Diagram

AJ100RCJ5EG**

Heating System



12. Capacity Table

12-1. AJ040NCJ2EG/EU

Cooling

Combination (Capacity Index)				Combination (Total)	Combination (%)	Outdoor Temperature (°C, DB)	Indoor Temperature(°C, WB)													
							14		16		18		19		20		22		24	
							TC(kW)	PI(kW)	TC(kW)	PI(kW)	TC(kW)	PI(kW)	TC(kW)	PI(kW)	TC(kW)	PI(kW)	TC(kW)	PI(kW)	TC(kW)	PI(kW)
2000				2000	50%	10	1.68	0.31	2.43	0.35	2.54	0.38	2.59	0.39	2.64	0.40	2.74	0.42	2.85	0.44
						12	1.68	0.33	2.39	0.36	2.50	0.39	2.55	0.40	2.60	0.41	2.70	0.43	2.81	0.45
						14	1.68	0.34	2.36	0.37	2.46	0.40	2.51	0.41	2.56	0.42	2.66	0.44	2.76	0.45
						16	1.68	0.36	2.32	0.39	2.42	0.41	2.47	0.43	2.52	0.44	2.62	0.45	2.72	0.46
						18	1.68	0.37	2.28	0.40	2.38	0.43	2.43	0.44	2.48	0.45	2.58	0.46	2.68	0.47
						20	1.68	0.39	2.24	0.41	2.34	0.44	2.39	0.45	2.44	0.46	2.54	0.47	2.64	0.48
						21	1.68	0.39	2.22	0.42	2.32	0.45	2.37	0.46	2.42	0.46	2.52	0.48	2.62	0.49
						23	1.68	0.41	2.18	0.44	2.28	0.46	2.33	0.47	2.38	0.48	2.48	0.49	2.58	0.50
						25	1.68	0.42	2.15	0.45	2.24	0.47	2.29	0.48	2.34	0.49	2.44	0.50	2.54	0.51
						27	1.68	0.44	2.11	0.47	2.20	0.49	2.25	0.49	2.30	0.50	2.40	0.51	2.50	0.52
						29	1.68	0.46	2.07	0.48	2.17	0.50	2.21	0.51	2.26	0.51	2.36	0.52	2.46	0.53
						31	1.68	0.47	2.03	0.50	2.13	0.51	2.18	0.52	2.22	0.53	2.32	0.53	2.42	0.54
						33	1.68	0.49	1.99	0.51	2.09	0.53	2.14	0.53	2.19	0.54	2.28	0.55	2.38	0.55
						35	1.68	0.51	1.96	0.53	2.05	0.54	2.10	0.54	2.15	0.55	2.24	0.56	2.34	0.56
						37	1.68	0.52	1.92	0.54	2.01	0.56	2.06	0.56	2.11	0.57	2.20	0.57	2.30	0.57
						39	1.68	0.54	1.88	0.56	1.98	0.57	2.02	0.58	2.07	0.58	2.16	0.58	2.26	0.58
						42	1.66	0.57	1.83	0.58	1.92	0.59	1.97	0.60	2.01	0.60	2.11	0.60	2.20	0.60
44	1.58	0.58	1.79	0.60	1.88	0.61	1.93	0.61	1.97	0.61	2.07	0.61	2.16	0.61						
46	1.53	0.60	1.75	0.62	1.84	0.62	1.89	0.63	1.94	0.63	2.03	0.63	2.12	0.62						
2500				2500	63%	10	2.00	0.43	2.90	0.48	3.02	0.52	3.08	0.54	3.14	0.56	3.26	0.59	3.39	0.61
						12	2.00	0.45	2.85	0.50	2.97	0.54	3.03	0.56	3.09	0.57	3.22	0.60	3.34	0.62
						14	2.00	0.47	2.80	0.52	2.93	0.56	2.99	0.57	3.05	0.59	3.17	0.61	3.29	0.63
						16	2.00	0.49	2.76	0.54	2.88	0.57	2.94	0.59	3.00	0.60	3.12	0.63	3.24	0.64
						18	2.00	0.51	2.71	0.56	2.83	0.59	2.89	0.61	2.95	0.62	3.07	0.64	3.19	0.66
						20	2.00	0.54	2.67	0.58	2.79	0.61	2.85	0.62	2.90	0.64	3.02	0.66	3.14	0.67
						21	2.00	0.55	2.64	0.59	2.76	0.62	2.82	0.63	2.88	0.64	3.00	0.66	3.12	0.67
						23	2.00	0.57	2.60	0.61	2.72	0.64	2.78	0.65	2.83	0.66	2.95	0.68	3.07	0.69
						25	2.00	0.59	2.55	0.63	2.67	0.66	2.73	0.67	2.79	0.68	2.91	0.69	3.02	0.70
						27	2.00	0.61	2.51	0.65	2.62	0.67	2.68	0.69	2.74	0.69	2.86	0.71	2.98	0.72
						29	2.00	0.63	2.46	0.67	2.58	0.69	2.64	0.70	2.69	0.71	2.81	0.72	2.93	0.73
						31	2.00	0.66	2.42	0.69	2.53	0.71	2.59	0.72	2.65	0.73	2.76	0.74	2.88	0.74
						33	2.00	0.68	2.37	0.71	2.49	0.73	2.54	0.74	2.60	0.75	2.72	0.76	2.83	0.76
						35	2.00	0.70	2.33	0.73	2.44	0.75	2.50	0.75	2.56	0.77	2.67	0.77	2.78	0.77
						37	2.00	0.73	2.29	0.75	2.40	0.77	2.45	0.78	2.51	0.79	2.62	0.79	2.74	0.79
						39	2.00	0.75	2.24	0.77	2.35	0.79	2.41	0.80	2.46	0.80	2.58	0.81	2.69	0.81
						42	1.98	0.79	2.18	0.81	2.29	0.82	2.34	0.83	2.40	0.83	2.51	0.83	2.62	0.83
44	1.88	0.81	2.13	0.83	2.24	0.85	2.30	0.85	2.35	0.85	2.46	0.85	2.57	0.85						
46	1.83	0.83	2.09	0.85	2.20	0.87	2.25	0.87	2.30	0.87	2.41	0.87	2.53	0.86						

12. Capacity Table

Combination (Capacity Index)				Combination (Total)	Combination (%)	Outdoor Temperature (°C, DB)	Indoor Temperature(°C, WB)													
							14		16		18		19		20		22		24	
							TC(kW)	PI(kW)	TC(kW)	PI(kW)	TC(kW)	PI(kW)	TC(kW)	PI(kW)	TC(kW)	PI(kW)	TC(kW)	PI(kW)	TC(kW)	PI(kW)
3500				3500	88%	10	2.80	0.61	4.06	0.68	4.23	0.74	4.31	0.77	4.40	0.79	4.57	0.83	4.74	0.86
						12	2.80	0.64	3.99	0.71	4.16	0.76	4.25	0.79	4.33	0.81	4.50	0.85	4.68	0.87
						14	2.80	0.67	3.93	0.73	4.10	0.79	4.18	0.81	4.26	0.83	4.44	0.87	4.61	0.89
						16	2.80	0.70	3.86	0.76	4.03	0.81	4.11	0.83	4.20	0.85	4.37	0.89	4.54	0.91
						18	2.80	0.73	3.80	0.79	3.96	0.84	4.05	0.86	4.13	0.88	4.30	0.91	4.47	0.93
						20	2.80	0.76	3.73	0.81	3.90	0.86	3.98	0.88	4.07	0.90	4.23	0.93	4.40	0.94
						21	2.80	0.77	3.70	0.83	3.87	0.87	3.95	0.89	4.03	0.91	4.20	0.94	4.37	0.95
						23	2.80	0.80	3.64	0.86	3.80	0.90	3.89	0.92	3.97	0.93	4.13	0.96	4.30	0.97
						25	2.80	0.83	3.58	0.88	3.74	0.93	3.82	0.94	3.90	0.96	4.07	0.98	4.23	0.99
						27	2.80	0.86	3.51	0.91	3.67	0.95	3.76	0.97	3.84	0.98	4.00	1.00	4.17	1.01
						29	2.80	0.89	3.45	0.94	3.61	0.98	3.69	0.99	3.77	1.01	3.93	1.02	4.10	1.03
						31	2.80	0.93	3.39	0.97	3.55	1.01	3.63	1.02	3.71	1.03	3.87	1.05	4.03	1.05
						33	2.80	0.96	3.32	1.00	3.48	1.03	3.56	1.05	3.64	1.06	3.80	1.07	3.97	1.07
						35	2.80	0.99	3.26	1.03	3.42	1.06	3.50	1.06	3.58	1.08	3.74	1.09	3.90	1.09
						37	2.80	1.03	3.20	1.06	3.36	1.09	3.43	1.10	3.51	1.11	3.67	1.12	3.83	1.12
						39	2.80	1.06	3.14	1.09	3.29	1.12	3.37	1.13	3.45	1.14	3.61	1.14	3.77	1.14
42	2.77	1.11	3.05	1.14	3.20	1.17	3.28	1.17	3.35	1.18	3.51	1.18	3.67	1.17						
44	2.63	1.14	2.98	1.18	3.14	1.20	3.21	1.20	3.29	1.21	3.45	1.21	3.60	1.20						
46	2.56	1.18	2.92	1.21	3.07	1.23	3.15	1.23	3.23	1.23	3.38	1.23	3.54	1.22						
2000	2000			4000	100%	10	3.53	0.63	4.99	0.65	5.08	0.66	5.14	0.67	5.20	0.68	5.35	0.69	5.52	0.71
						12	3.53	0.65	4.85	0.66	4.95	0.68	5.01	0.69	5.08	0.69	5.23	0.71	5.41	0.72
						14	3.53	0.66	4.72	0.68	4.83	0.70	4.89	0.70	4.96	0.71	5.12	0.72	5.31	0.74
						16	3.53	0.68	4.60	0.70	4.71	0.71	4.78	0.72	4.85	0.73	5.02	0.74	5.21	0.76
						18	3.53	0.70	4.48	0.71	4.60	0.73	4.67	0.74	4.75	0.74	4.92	0.76	5.12	0.77
						20	3.53	0.72	4.36	0.73	4.49	0.75	4.57	0.75	4.65	0.76	4.83	0.78	5.03	0.79
						21	3.53	0.73	4.31	0.74	4.44	0.76	4.52	0.76	4.60	0.77	4.78	0.78	4.99	0.80
						23	3.53	0.74	4.20	0.76	4.34	0.77	4.42	0.78	4.51	0.79	4.70	0.80	4.91	0.82
						25	3.53	0.76	4.10	0.78	4.25	0.79	4.33	0.80	4.42	0.81	4.62	0.82	4.84	0.84
						27	3.53	0.78	4.01	0.80	4.16	0.81	4.25	0.82	4.34	0.83	4.55	0.84	4.78	0.85
						29	3.53	0.80	3.92	0.82	4.08	0.83	4.17	0.84	4.27	0.85	4.48	0.86	4.72	0.87
						31	3.53	0.82	3.84	0.84	4.01	0.85	4.10	0.86	4.20	0.87	4.42	0.88	4.66	0.89
						33	3.53	0.84	3.76	0.86	3.94	0.87	4.03	0.88	4.13	0.89	4.36	0.90	4.61	0.91
						35	3.53	0.87	3.69	0.88	3.87	0.90	4.00	0.90	4.08	0.91	4.31	0.92	4.57	0.94
						37	3.53	0.89	3.62	0.90	3.81	0.92	3.91	0.92	4.02	0.93	4.26	0.94	4.53	0.96
						39	3.53	0.91	3.56	0.92	3.76	0.94	3.86	0.95	3.98	0.95	4.22	0.97	4.49	0.98
42	3.53	0.94	3.48	0.96	3.69	0.97	3.80	0.98	3.92	0.99	4.17	1.00	4.46	1.01						
44	3.53	0.97	3.44	0.98	3.65	1.00	3.76	1.00	3.89	1.01	4.15	1.02	4.44	1.04						
46	3.53	0.99	3.39	1.01	3.61	1.02	3.73	1.03	3.86	1.03	4.13	1.05	4.42	1.06						

12. Capacity Table

Combination (Capacity Index)				Combination (Total)	Combination (%)	Outdoor Temperature (°C,DB)	Indoor Temperature(°C, WB)													
							14		16		18		19		20		22		24	
							TC(kW)	PI(kW)	TC(kW)	PI(kW)	TC(kW)	PI(kW)	TC(kW)	PI(kW)	TC(kW)	PI(kW)	TC(kW)	PI(kW)	TC(kW)	PI(kW)
2000	2500			4500	113%	10	3.53	0.65	4.99	0.66	5.08	0.68	5.14	0.69	5.20	0.69	5.35	0.71	5.52	0.72
						12	3.53	0.66	4.85	0.68	4.95	0.69	5.01	0.70	5.08	0.71	5.23	0.72	5.41	0.74
						14	3.53	0.68	4.72	0.70	4.83	0.71	4.89	0.72	4.96	0.73	5.12	0.74	5.31	0.75
						16	3.53	0.70	4.60	0.71	4.71	0.73	4.78	0.74	4.85	0.74	5.02	0.76	5.21	0.77
						18	3.53	0.71	4.48	0.73	4.60	0.75	4.67	0.75	4.75	0.76	4.92	0.78	5.12	0.79
						20	3.53	0.73	4.36	0.75	4.49	0.76	4.57	0.77	4.65	0.78	4.83	0.79	5.03	0.81
						21	3.53	0.74	4.31	0.76	4.44	0.77	4.52	0.78	4.60	0.79	4.78	0.80	4.99	0.82
						23	3.53	0.76	4.20	0.78	4.34	0.79	4.42	0.80	4.51	0.81	4.70	0.82	4.91	0.83
						25	3.53	0.78	4.10	0.80	4.25	0.81	4.33	0.82	4.42	0.83	4.62	0.84	4.84	0.85
						27	3.53	0.80	4.01	0.82	4.16	0.83	4.25	0.84	4.34	0.85	4.55	0.86	4.78	0.87
						29	3.53	0.82	3.92	0.84	4.08	0.85	4.17	0.86	4.27	0.87	4.48	0.88	4.72	0.89
						31	3.53	0.84	3.84	0.86	4.01	0.87	4.10	0.88	4.20	0.89	4.42	0.90	4.66	0.91
						33	3.53	0.86	3.76	0.88	3.94	0.89	4.03	0.90	4.13	0.91	4.36	0.92	4.61	0.94
						35	3.53	0.88	3.69	0.90	3.87	0.91	4.00	0.92	4.08	0.93	4.31	0.94	4.57	0.96
						37	3.53	0.91	3.62	0.92	3.81	0.94	3.91	0.94	4.02	0.95	4.26	0.97	4.53	0.98
						39	3.53	0.93	3.56	0.94	3.76	0.96	3.86	0.97	3.98	0.97	4.22	0.99	4.49	1.00
						42	3.53	0.96	3.48	0.98	3.69	0.99	3.80	1.00	3.92	1.01	4.17	1.02	4.46	1.04
44	3.53	0.99	3.44	1.00	3.65	1.02	3.76	1.03	3.89	1.03	4.15	1.05	4.44	1.06						
46	3.53	1.01	3.39	1.03	3.61	1.04	3.73	1.05	3.86	1.06	4.13	1.07	4.42	1.08						
2000	3500			5500	138%	10	3.53	0.65	4.99	0.67	5.08	0.69	5.14	0.69	5.20	0.70	5.35	0.72	5.52	0.73
						12	3.53	0.67	4.85	0.69	4.95	0.70	5.01	0.71	5.08	0.72	5.23	0.73	5.41	0.75
						14	3.53	0.69	4.72	0.70	4.83	0.72	4.89	0.73	4.96	0.73	5.12	0.75	5.31	0.76
						16	3.53	0.70	4.60	0.72	4.71	0.74	4.78	0.74	4.85	0.75	5.02	0.77	5.21	0.78
						18	3.53	0.72	4.48	0.74	4.60	0.75	4.67	0.76	4.75	0.77	4.92	0.78	5.12	0.80
						20	3.53	0.74	4.36	0.76	4.49	0.77	4.57	0.78	4.65	0.79	4.83	0.80	5.03	0.82
						21	3.53	0.75	4.31	0.77	4.44	0.78	4.52	0.79	4.60	0.80	4.78	0.81	4.99	0.83
						23	3.53	0.77	4.20	0.78	4.34	0.80	4.42	0.81	4.51	0.82	4.70	0.83	4.91	0.84
						25	3.53	0.79	4.10	0.80	4.25	0.82	4.33	0.83	4.42	0.83	4.62	0.85	4.84	0.86
						27	3.53	0.81	4.01	0.82	4.16	0.84	4.25	0.85	4.34	0.85	4.55	0.87	4.78	0.88
						29	3.53	0.83	3.92	0.85	4.08	0.86	4.17	0.87	4.27	0.88	4.48	0.89	4.72	0.90
						31	3.53	0.85	3.84	0.87	4.01	0.88	4.10	0.89	4.20	0.90	4.42	0.91	4.66	0.92
						33	3.53	0.87	3.76	0.89	3.94	0.90	4.03	0.91	4.13	0.92	4.36	0.93	4.61	0.95
						35	3.53	0.89	3.69	0.91	3.87	0.92	4.00	0.93	4.08	0.94	4.31	0.95	4.57	0.97
						37	3.53	0.92	3.62	0.93	3.81	0.95	3.91	0.95	4.02	0.96	4.26	0.98	4.53	0.99
						39	3.53	0.94	3.56	0.96	3.76	0.97	3.86	0.98	3.98	0.98	4.22	1.00	4.49	1.01
						42	3.53	0.98	3.48	0.99	3.69	1.01	3.80	1.01	3.92	1.02	4.17	1.03	4.46	1.05
44	3.53	1.00	3.44	1.01	3.65	1.03	3.76	1.04	3.89	1.04	4.15	1.06	4.44	1.07						
46	3.53	1.02	3.39	1.04	3.61	1.05	3.73	1.06	3.86	1.07	4.13	1.08	4.42	1.10						

12. Capacity Table

Combination (Capacity Index)				Combination (Total)	Combination (%)	Outdoor Temperature (°C, DB)	Indoor Temperature(°C, WB)													
							14		16		18		19		20		22		24	
							TC(kW)	PI(kW)	TC(kW)	PI(kW)	TC(kW)	PI(kW)	TC(kW)	PI(kW)	TC(kW)	PI(kW)	TC(kW)	PI(kW)	TC(kW)	PI(kW)
2500	2500			5000	125%	10	3.53	0.66	4.99	0.68	5.08	0.69	5.14	0.70	5.20	0.71	5.35	0.72	5.52	0.74
						12	3.53	0.68	4.85	0.69	4.95	0.71	5.01	0.72	5.08	0.73	5.23	0.74	5.41	0.75
						14	3.53	0.69	4.72	0.71	4.83	0.73	4.89	0.73	4.96	0.74	5.12	0.76	5.31	0.77
						16	3.53	0.71	4.60	0.73	4.71	0.74	4.78	0.75	4.85	0.76	5.02	0.77	5.21	0.79
						18	3.53	0.73	4.48	0.75	4.60	0.76	4.67	0.77	4.75	0.78	4.92	0.79	5.12	0.81
						20	3.53	0.75	4.36	0.76	4.49	0.78	4.57	0.79	4.65	0.80	4.83	0.81	5.03	0.82
						21	3.53	0.76	4.31	0.77	4.44	0.79	4.52	0.80	4.60	0.81	4.78	0.82	4.99	0.83
						23	3.53	0.78	4.20	0.79	4.34	0.81	4.42	0.82	4.51	0.82	4.70	0.84	4.91	0.85
						25	3.53	0.80	4.10	0.81	4.25	0.83	4.33	0.84	4.42	0.84	4.62	0.86	4.84	0.87
						27	3.53	0.82	4.01	0.83	4.16	0.85	4.25	0.86	4.34	0.86	4.55	0.88	4.78	0.89
						29	3.53	0.84	3.92	0.85	4.08	0.87	4.17	0.88	4.27	0.88	4.48	0.90	4.72	0.91
						31	3.53	0.86	3.84	0.88	4.01	0.89	4.10	0.90	4.20	0.91	4.42	0.92	4.66	0.93
						33	3.53	0.88	3.76	0.90	3.94	0.91	4.03	0.92	4.13	0.93	4.36	0.94	4.61	0.96
						35	3.53	0.90	3.69	0.92	3.87	0.93	4.00	0.94	4.08	0.95	4.31	0.96	4.57	0.98
						37	3.53	0.93	3.62	0.94	3.81	0.96	3.91	0.96	4.02	0.97	4.26	0.99	4.53	1.00
						39	3.53	0.95	3.56	0.97	3.76	0.98	3.86	0.99	3.98	1.00	4.22	1.01	4.49	1.02
42	3.53	0.99	3.48	1.00	3.69	1.02	3.80	1.02	3.92	1.03	4.17	1.05	4.46	1.06						
44	3.53	1.01	3.44	1.03	3.65	1.04	3.76	1.05	3.89	1.06	4.15	1.07	4.44	1.08						
46	3.53	1.04	3.39	1.05	3.61	1.07	3.73	1.07	3.86	1.08	4.13	1.09	4.42	1.11						
2500	3500			6000	150%	10	3.53	0.67	4.99	0.68	5.08	0.70	5.14	0.71	5.20	0.72	5.35	0.73	5.52	0.75
						12	3.53	0.68	4.85	0.70	4.95	0.72	5.01	0.73	5.08	0.73	5.23	0.75	5.41	0.76
						14	3.53	0.70	4.72	0.72	4.83	0.73	4.89	0.74	4.96	0.75	5.12	0.77	5.31	0.78
						16	3.53	0.72	4.60	0.74	4.71	0.75	4.78	0.76	4.85	0.77	5.02	0.78	5.21	0.80
						18	3.53	0.74	4.48	0.75	4.60	0.77	4.67	0.78	4.75	0.79	4.92	0.80	5.12	0.81
						20	3.53	0.76	4.36	0.77	4.49	0.79	4.57	0.80	4.65	0.80	4.83	0.82	5.03	0.83
						21	3.53	0.77	4.31	0.78	4.44	0.80	4.52	0.81	4.60	0.81	4.78	0.83	4.99	0.84
						23	3.53	0.79	4.20	0.80	4.34	0.82	4.42	0.83	4.51	0.83	4.70	0.85	4.91	0.86
						25	3.53	0.81	4.10	0.82	4.25	0.84	4.33	0.85	4.42	0.85	4.62	0.87	4.84	0.88
						27	3.53	0.83	4.01	0.84	4.16	0.86	4.25	0.87	4.34	0.87	4.55	0.89	4.78	0.90
						29	3.53	0.85	3.92	0.86	4.08	0.88	4.17	0.89	4.27	0.89	4.48	0.91	4.72	0.92
						31	3.53	0.87	3.84	0.88	4.01	0.90	4.10	0.91	4.20	0.92	4.42	0.93	4.66	0.94
						33	3.53	0.89	3.76	0.91	3.94	0.92	4.03	0.93	4.13	0.94	4.36	0.95	4.61	0.97
						35	3.53	0.91	3.69	0.93	3.87	0.94	4.00	0.95	4.08	0.96	4.31	0.97	4.57	0.99
						37	3.53	0.94	3.62	0.95	3.81	0.97	3.91	0.98	4.02	0.98	4.26	1.00	4.53	1.01
						39	3.53	0.96	3.56	0.98	3.76	0.99	3.86	1.00	3.98	1.01	4.22	1.02	4.49	1.03
42	3.53	1.00	3.48	1.01	3.69	1.03	3.80	1.03	3.92	1.04	4.17	1.06	4.46	1.07						
44	3.53	1.02	3.44	1.04	3.65	1.05	3.76	1.06	3.89	1.07	4.15	1.08	4.44	1.09						
46	3.53	1.05	3.39	1.06	3.61	1.08	3.73	1.08	3.86	1.09	4.13	1.11	4.42	1.12						

NOTE

- The performance table shows the average value of each conditions.
- The above is the value for connecting with the following indoor units.
 - 2000, 2500, 3500 class : AR07MXWSAWKNEU, AR09MXWSAWKNEU, AR12MXWSAWKNEU
- The total ability of connected a indoor unit is up to 6.0kW
- It is impossible to connect the indoor unit for one room only.
- This data is reference data for temperature capacity trend.

12. Capacity Table

12-1. AJ040NCJ2EG/EU

Heating

Combination (Capacity Index)				Combination (Total)	Combination (%)	Outdoor Temperature (°C,DB)	Indoor Temperature(°C, DB)													
							14		16		18		20		21		22		24	
							TC(kW)	PI(kW)	TC(kW)	PI(kW)	TC(kW)	PI(kW)	TC(kW)	PI(kW)	TC(kW)	PI(kW)	TC(kW)	PI(kW)	TC(kW)	PI(kW)
2000				2000	50%	-15	1.37	0.62	1.33	0.63	1.29	0.64	1.28	0.64	1.26	0.64	1.23	0.65	1.21	0.66
						-10	1.65	0.65	1.60	0.66	1.56	0.67	1.54	0.67	1.52	0.68	1.49	0.69	1.47	0.69
						-5	1.92	0.68	1.87	0.69	1.83	0.70	1.81	0.71	1.79	0.71	1.75	0.72	1.73	0.73
						0	2.19	0.72	2.14	0.73	2.09	0.74	2.07	0.74	2.05	0.75	2.02	0.75	1.99	0.76
						2	2.30	0.73	2.25	0.74	2.20	0.75	2.18	0.75	2.16	0.76	2.12	0.77	2.09	0.77
						7	2.52	0.75	2.46	0.77	2.42	0.78	2.40	0.78	2.37	0.79	2.33	0.79	2.30	0.80
						10	2.74	0.78	2.68	0.79	2.63	0.80	2.61	0.81	2.59	0.81	2.54	0.82	2.51	0.83
						15	3.01	0.81	2.95	0.82	2.90	0.83	2.88	0.84	2.85	0.84	2.81	0.85	2.77	0.86
2500				2500	63%	-15	1.77	0.68	1.72	0.69	1.67	0.69	1.65	0.70	1.63	0.70	1.59	0.71	1.56	0.72
						-10	2.13	0.71	2.07	0.72	2.01	0.73	1.99	0.74	1.97	0.74	1.93	0.75	1.89	0.75
						-5	2.48	0.75	2.42	0.76	2.36	0.77	2.33	0.77	2.31	0.78	2.27	0.78	2.23	0.79
						0	2.83	0.78	2.76	0.79	2.71	0.80	2.68	0.81	2.65	0.81	2.61	0.82	2.57	0.83
						2	2.97	0.79	2.90	0.81	2.84	0.82	2.82	0.82	2.79	0.83	2.74	0.84	2.70	0.84
						7	3.25	0.82	3.18	0.83	3.12	0.85	3.10	0.85	3.06	0.86	3.01	0.87	2.97	0.87
						10	3.54	0.85	3.46	0.86	3.40	0.87	3.37	0.88	3.34	0.88	3.29	0.89	3.24	0.90
						15	3.89	0.88	3.81	0.90	3.75	0.91	3.71	0.92	3.68	0.92	3.63	0.93	3.58	0.94
3500				3500	88%	-15	2.18	0.87	2.11	0.89	2.05	0.90	2.02	0.90	1.99	0.91	1.95	0.92	1.91	0.93
						-10	2.61	0.92	2.53	0.93	2.47	0.95	2.44	0.95	2.41	0.96	2.36	0.97	2.32	0.97
						-5	3.04	0.97	2.96	0.98	2.89	0.99	2.86	1.00	2.83	1.00	2.78	1.01	2.73	1.02
						0	3.47	1.01	3.39	1.03	3.32	1.04	3.28	1.05	3.25	1.05	3.19	1.06	3.14	1.07
						2	3.64	1.03	3.56	1.04	3.49	1.06	3.45	1.06	3.42	1.07	3.36	1.08	3.31	1.09
						7	3.99	1.06	3.90	1.08	3.83	1.09	3.80	1.10	3.76	1.11	3.69	1.12	3.64	1.13
						10	4.33	1.10	4.25	1.12	4.17	1.13	4.13	1.14	4.09	1.15	4.03	1.16	3.97	1.17
						15	4.77	1.14	4.68	1.16	4.59	1.18	4.55	1.18	4.52	1.19	4.45	1.20	4.38	1.22
2000	2000			4000	100%	-15	2.40	0.72	2.33	0.73	2.26	0.74	2.23	0.74	2.20	0.74	2.15	0.75	2.11	0.76
						-10	2.88	0.75	2.80	0.76	2.73	0.77	2.70	0.78	2.67	0.78	2.61	0.79	2.57	0.80
						-5	3.36	0.79	3.27	0.80	3.20	0.81	3.16	0.82	3.13	0.82	3.07	0.83	3.02	0.84
						0	3.83	0.83	3.75	0.84	3.66	0.85	3.63	0.86	3.59	0.86	3.53	0.87	3.48	0.88
						2	4.02	0.84	3.93	0.85	3.85	0.87	3.81	0.87	3.78	0.88	3.71	0.89	3.66	0.89
						7	4.41	0.87	4.31	0.88	4.23	0.90	4.20	0.90	4.15	0.91	4.08	0.92	4.02	0.92
						10	4.79	0.90	4.69	0.91	4.60	0.93	4.56	0.93	4.52	0.94	4.45	0.95	4.39	0.96
						15	5.27	0.94	5.17	0.95	5.08	0.96	5.03	0.97	4.99	0.97	4.91	0.99	4.85	0.99
2000	2500			4500	113%	-15	2.40	0.73	2.33	0.74	2.26	0.75	2.23	0.76	2.20	0.76	2.15	0.77	2.11	0.77
						-10	2.88	0.77	2.80	0.78	2.73	0.79	2.70	0.80	2.67	0.80	2.61	0.81	2.57	0.82
						-5	3.36	0.81	3.27	0.82	3.20	0.83	3.16	0.84	3.13	0.84	3.07	0.85	3.02	0.86
						0	3.83	0.85	3.75	0.86	3.66	0.87	3.63	0.87	3.59	0.88	3.53	0.89	3.48	0.90
						2	4.02	0.86	3.93	0.87	3.85	0.88	3.81	0.89	3.78	0.90	3.71	0.90	3.66	0.91
						7	4.41	0.89	4.31	0.90	4.23	0.92	4.20	0.92	4.15	0.93	4.08	0.94	4.02	0.95
						10	4.79	0.92	4.69	0.93	4.60	0.95	4.56	0.95	4.52	0.96	4.45	0.97	4.39	0.98
						15	5.27	0.96	5.17	0.97	5.08	0.98	5.03	0.99	4.99	1.00	4.91	1.01	4.85	1.02

12. Capacity Table

Combination (Capacity Index)				Combination (Total)	Combination (%)	Outdoor Temperature (°C,DB)	Indoor Temperature(°C, DB)													
							14		16		18		20		21		22		24	
							TC(kW)	PI(kW)	TC(kW)	PI(kW)	TC(kW)	PI(kW)	TC(kW)	PI(kW)	TC(kW)	PI(kW)	TC(kW)	PI(kW)	TC(kW)	PI(kW)
2000	3500			5500	138%	-15	2.40	0.74	2.33	0.75	2.26	0.76	2.23	0.76	2.20	0.77	2.15	0.78	2.11	0.78
						-10	2.88	0.78	2.80	0.79	2.73	0.80	2.70	0.80	2.67	0.81	2.61	0.82	2.57	0.82
						-5	3.36	0.82	3.27	0.83	3.20	0.84	3.16	0.84	3.13	0.85	3.07	0.86	3.02	0.87
						0	3.83	0.85	3.75	0.87	3.66	0.88	3.63	0.88	3.59	0.89	3.53	0.90	3.48	0.91
						2	4.02	0.87	3.93	0.88	3.85	0.89	3.81	0.90	3.78	0.91	3.71	0.91	3.66	0.92
						7	4.41	0.90	4.31	0.91	4.23	0.93	4.20	0.93	4.15	0.94	4.08	0.95	4.02	0.96
						10	4.79	0.93	4.69	0.94	4.60	0.96	4.56	0.96	4.52	0.97	4.45	0.98	4.39	0.99
						15	5.27	0.97	5.17	0.98	5.08	1.00	5.03	1.00	4.99	1.01	4.91	1.02	4.85	1.03
2500	2500			5000	125%	-15	2.40	0.75	2.33	0.76	2.26	0.77	2.23	0.77	2.20	0.78	2.15	0.78	2.11	0.79
						-10	2.88	0.79	2.80	0.80	2.73	0.81	2.70	0.81	2.67	0.82	2.61	0.83	2.57	0.83
						-5	3.36	0.83	3.27	0.84	3.20	0.85	3.16	0.85	3.13	0.86	3.07	0.87	3.02	0.87
						0	3.83	0.86	3.75	0.88	3.66	0.89	3.63	0.89	3.59	0.90	3.53	0.91	3.48	0.92
						2	4.02	0.88	3.93	0.89	3.85	0.90	3.81	0.91	3.78	0.91	3.71	0.92	3.66	0.93
						7	4.41	0.91	4.31	0.92	4.23	0.94	4.20	0.94	4.15	0.95	4.08	0.96	4.02	0.97
						10	4.79	0.94	4.69	0.95	4.60	0.97	4.56	0.97	4.52	0.98	4.45	0.99	4.39	1.00
						15	5.27	0.98	5.17	0.99	5.08	1.01	5.03	1.01	4.99	1.02	4.91	1.03	4.85	1.04
2500	3500			6000	150%	-15	2.40	0.76	2.33	0.77	2.26	0.78	2.23	0.78	2.20	0.79	2.15	0.79	2.11	0.80
						-10	2.88	0.79	2.80	0.81	2.73	0.82	2.70	0.82	2.67	0.83	2.61	0.83	2.57	0.84
						-5	3.36	0.83	3.27	0.85	3.20	0.86	3.16	0.86	3.13	0.87	3.07	0.88	3.02	0.88
						0	3.83	0.87	3.75	0.89	3.66	0.90	3.63	0.90	3.59	0.91	3.53	0.92	3.48	0.93
						2	4.02	0.89	3.93	0.90	3.85	0.91	3.81	0.92	3.78	0.92	3.71	0.93	3.66	0.94
						7	4.41	0.92	4.31	0.93	4.23	0.95	4.20	0.95	4.15	0.96	4.08	0.97	4.02	0.98
						10	4.79	0.95	4.69	0.96	4.60	0.98	4.56	0.98	4.52	0.99	4.45	1.00	4.39	1.01
						15	5.27	0.99	5.17	1.00	5.08	1.02	5.03	1.02	4.99	1.03	4.91	1.04	4.85	1.05

NOTE

- The performance table shows the average value of each conditions.
- The above is the value for connecting with the following indoor units.
 - 2000, 2500, 3500 class : AR07MXWSAWKNEU, AR09MXWSAWKNEU, AR12MXWSAWKNEU
- The total ability of connected a indoor unit is up to 6.0kW
- It is impossible to connect the indoor unit for one room only.
- This data is reference data for temperature capacity trend.

12. Capacity Table

12-2. AJ050NCJ2EG/EU

Cooling

Combination (Capacity Index)				Combination (Total)	Combination (%)	Outdoor Temperature (°C, DB)	Indoor Temperature(°C, WB)													
							14		16		18		19		20		22		24	
							TC(kW)	PI(kW)	TC(kW)	PI(kW)	TC(kW)	PI(kW)	TC(kW)	PI(kW)	TC(kW)	PI(kW)	TC(kW)	PI(kW)	TC(kW)	PI(kW)
2000				2000	40%	10	1.92	0.42	2.78	0.47	2.90	0.51	2.96	0.53	3.02	0.54	3.13	0.57	3.25	0.59
						12	1.92	0.44	2.74	0.49	2.85	0.53	2.91	0.54	2.97	0.56	3.09	0.58	3.21	0.60
						14	1.92	0.46	2.69	0.51	2.81	0.54	2.87	0.56	2.92	0.57	3.04	0.60	3.16	0.61
						16	1.92	0.48	2.65	0.52	2.76	0.56	2.82	0.57	2.88	0.59	3.00	0.61	3.11	0.63
						18	1.92	0.50	2.60	0.54	2.72	0.58	2.78	0.59	2.83	0.60	2.95	0.62	3.07	0.64
						20	1.92	0.52	2.56	0.56	2.67	0.59	2.73	0.61	2.79	0.62	2.90	0.64	3.02	0.65
						21	1.92	0.53	2.54	0.57	2.65	0.60	2.71	0.62	2.77	0.63	2.88	0.65	3.00	0.66
						23	1.92	0.55	2.50	0.59	2.61	0.62	2.66	0.63	2.72	0.64	2.83	0.66	2.95	0.67
						25	1.92	0.57	2.45	0.61	2.56	0.64	2.62	0.65	2.68	0.66	2.79	0.67	2.90	0.68
						27	1.92	0.59	2.41	0.63	2.52	0.66	2.58	0.67	2.63	0.68	2.74	0.69	2.86	0.70
						29	1.92	0.62	2.37	0.65	2.48	0.67	2.53	0.68	2.59	0.69	2.70	0.71	2.81	0.71
						31	1.92	0.64	2.32	0.67	2.43	0.69	2.49	0.70	2.54	0.71	2.65	0.72	2.76	0.72
						33	1.92	0.66	2.28	0.69	2.39	0.71	2.44	0.72	2.50	0.73	2.61	0.74	2.72	0.74
						35	1.92	0.68	2.24	0.71	2.34	0.73	2.40	0.73	2.45	0.75	2.56	0.75	2.67	0.75
						37	1.92	0.71	2.19	0.73	2.30	0.75	2.36	0.76	2.41	0.76	2.52	0.77	2.63	0.77
						39	1.92	0.73	2.15	0.75	2.26	0.77	2.31	0.78	2.37	0.78	2.47	0.79	2.58	0.78
42	1.90	0.76	2.09	0.79	2.19	0.80	2.25	0.81	2.30	0.81	2.41	0.81	2.51	0.81						
44	1.80	0.79	2.05	0.81	2.15	0.82	2.20	0.83	2.26	0.83	2.36	0.83	2.47	0.82						
46	1.75	0.81	2.00	0.83	2.11	0.84	2.16	0.85	2.21	0.85	2.32	0.85	2.42	0.84						
2500				2500	50%	10	2.00	0.46	2.90	0.52	3.02	0.56	3.08	0.58	3.14	0.60	3.26	0.63	3.39	0.65
						12	2.00	0.48	2.85	0.53	2.97	0.58	3.03	0.60	3.09	0.61	3.22	0.64	3.34	0.66
						14	2.00	0.51	2.80	0.55	2.93	0.60	2.99	0.61	3.05	0.63	3.17	0.65	3.29	0.67
						16	2.00	0.53	2.76	0.57	2.88	0.61	2.94	0.63	3.00	0.65	3.12	0.67	3.24	0.69
						18	2.00	0.55	2.71	0.59	2.83	0.63	2.89	0.65	2.95	0.66	3.07	0.68	3.19	0.70
						20	2.00	0.57	2.67	0.61	2.79	0.65	2.85	0.67	2.90	0.68	3.02	0.70	3.14	0.71
						21	2.00	0.58	2.64	0.62	2.76	0.66	2.82	0.67	2.88	0.69	3.00	0.71	3.12	0.72
						23	2.00	0.61	2.60	0.65	2.72	0.68	2.78	0.69	2.83	0.71	2.95	0.72	3.07	0.73
						25	2.00	0.63	2.55	0.67	2.67	0.70	2.73	0.71	2.79	0.72	2.91	0.74	3.02	0.75
						27	2.00	0.65	2.51	0.69	2.62	0.72	2.68	0.73	2.74	0.74	2.86	0.76	2.98	0.76
						29	2.00	0.68	2.46	0.71	2.58	0.74	2.64	0.75	2.69	0.76	2.81	0.77	2.93	0.78
						31	2.00	0.70	2.42	0.73	2.53	0.76	2.59	0.77	2.65	0.78	2.76	0.79	2.88	0.79
						33	2.00	0.72	2.37	0.76	2.49	0.78	2.54	0.79	2.60	0.80	2.72	0.81	2.83	0.81
						35	2.00	0.75	2.33	0.78	2.44	0.80	2.50	0.80	2.56	0.82	2.67	0.83	2.78	0.83
						37	2.00	0.77	2.29	0.80	2.40	0.82	2.45	0.83	2.51	0.84	2.62	0.84	2.74	0.84
						39	2.00	0.80	2.24	0.83	2.35	0.85	2.41	0.85	2.46	0.86	2.58	0.86	2.69	0.86
42	1.98	0.84	2.18	0.86	2.29	0.88	2.34	0.88	2.40	0.89	2.51	0.89	2.62	0.88						
44	1.88	0.86	2.13	0.89	2.24	0.90	2.30	0.91	2.35	0.91	2.46	0.91	2.57	0.90						
46	1.83	0.89	2.09	0.91	2.20	0.93	2.25	0.93	2.30	0.93	2.41	0.93	2.53	0.92						

12. Capacity Table

Combination (Capacity Index)				Combination (Total)	Combination (%)	Outdoor Temperature (°C, DB)	Indoor Temperature(°C, WB)													
							14		16		18		19		20		22		24	
							TC(kW)	PI(kW)	TC(kW)	PI(kW)	TC(kW)	PI(kW)	TC(kW)	PI(kW)	TC(kW)	PI(kW)	TC(kW)	PI(kW)	TC(kW)	PI(kW)
3500				3500	70%	10	2.80	0.63	4.06	0.70	4.23	0.76	4.31	0.79	4.40	0.81	4.57	0.85	4.74	0.88
						12	2.80	0.66	3.99	0.73	4.16	0.79	4.25	0.81	4.33	0.83	4.50	0.87	4.68	0.90
						14	2.80	0.69	3.93	0.75	4.10	0.81	4.18	0.83	4.26	0.86	4.44	0.89	4.61	0.92
						16	2.80	0.72	3.86	0.78	4.03	0.84	4.11	0.86	4.20	0.88	4.37	0.91	4.54	0.93
						18	2.80	0.75	3.80	0.81	3.96	0.86	4.05	0.88	4.13	0.90	4.30	0.93	4.47	0.95
						20	2.80	0.78	3.73	0.84	3.90	0.89	3.98	0.91	4.07	0.92	4.23	0.95	4.40	0.97
						21	2.80	0.79	3.70	0.85	3.87	0.90	3.95	0.92	4.03	0.94	4.20	0.96	4.37	0.98
						23	2.80	0.82	3.64	0.88	3.80	0.93	3.89	0.94	3.97	0.96	4.13	0.99	4.30	1.00
						25	2.80	0.86	3.58	0.91	3.74	0.95	3.82	0.97	3.90	0.99	4.07	1.01	4.23	1.02
						27	2.80	0.89	3.51	0.94	3.67	0.98	3.76	1.00	3.84	1.01	4.00	1.03	4.17	1.04
						29	2.80	0.92	3.45	0.97	3.61	1.01	3.69	1.02	3.77	1.04	3.93	1.05	4.10	1.06
						31	2.80	0.95	3.39	1.00	3.55	1.04	3.63	1.05	3.71	1.06	3.87	1.08	4.03	1.08
						33	2.80	0.99	3.32	1.03	3.48	1.06	3.56	1.08	3.64	1.09	3.80	1.10	3.97	1.10
						35	2.80	1.02	3.26	1.06	3.42	1.09	3.50	1.09	3.58	1.11	3.74	1.12	3.90	1.12
						37	2.80	1.05	3.20	1.09	3.36	1.12	3.43	1.13	3.51	1.14	3.67	1.15	3.83	1.15
						39	2.80	1.09	3.14	1.13	3.29	1.15	3.37	1.16	3.45	1.17	3.61	1.17	3.77	1.17
42	2.77	1.14	3.05	1.17	3.20	1.20	3.28	1.21	3.35	1.21	3.51	1.21	3.67	1.21						
44	2.63	1.18	2.98	1.21	3.14	1.23	3.21	1.24	3.29	1.24	3.45	1.24	3.60	1.23						
46	2.56	1.21	2.92	1.24	3.07	1.26	3.15	1.27	3.23	1.27	3.38	1.27	3.54	1.25						
2000	2000			4000	80%	10	3.53	0.69	4.99	0.71	5.08	0.72	5.14	0.73	5.20	0.74	5.35	0.75	5.52	0.77
						12	3.53	0.71	4.85	0.72	4.95	0.74	5.01	0.75	5.08	0.76	5.23	0.77	5.41	0.79
						14	3.53	0.72	4.72	0.74	4.83	0.76	4.89	0.77	4.96	0.77	5.12	0.79	5.31	0.80
						16	3.53	0.74	4.60	0.76	4.71	0.78	4.78	0.78	4.85	0.79	5.02	0.81	5.21	0.82
						18	3.53	0.76	4.48	0.78	4.60	0.79	4.67	0.80	4.75	0.81	4.92	0.83	5.12	0.84
						20	3.53	0.78	4.36	0.80	4.49	0.81	4.57	0.82	4.65	0.83	4.83	0.84	5.03	0.86
						21	3.53	0.79	4.31	0.81	4.44	0.82	4.52	0.83	4.60	0.84	4.78	0.85	4.99	0.87
						23	3.53	0.81	4.20	0.83	4.34	0.84	4.42	0.85	4.51	0.86	4.70	0.87	4.91	0.89
						25	3.53	0.83	4.10	0.85	4.25	0.86	4.33	0.87	4.42	0.88	4.62	0.90	4.84	0.91
						27	3.53	0.85	4.01	0.87	4.16	0.89	4.25	0.89	4.34	0.90	4.55	0.92	4.78	0.93
						29	3.53	0.87	3.92	0.89	4.08	0.91	4.17	0.91	4.27	0.92	4.48	0.94	4.72	0.95
						31	3.53	0.90	3.84	0.91	4.01	0.93	4.10	0.94	4.20	0.94	4.42	0.96	4.66	0.97
						33	3.53	0.92	3.76	0.94	3.94	0.95	4.03	0.96	4.13	0.97	4.36	0.98	4.61	1.00
						35	3.53	0.94	3.69	0.96	3.87	0.97	4.00	0.98	4.08	0.99	4.31	1.00	4.57	1.02
						37	3.53	0.97	3.62	0.98	3.81	1.00	3.91	1.01	4.02	1.01	4.26	1.03	4.53	1.04
						39	3.53	0.99	3.56	1.01	3.76	1.02	3.86	1.03	3.98	1.04	4.22	1.05	4.49	1.07
42	3.53	1.03	3.48	1.04	3.69	1.06	3.80	1.07	3.92	1.07	4.17	1.09	4.46	1.10						
44	3.53	1.05	3.44	1.07	3.65	1.09	3.76	1.09	3.89	1.10	4.15	1.11	4.44	1.13						
46	3.53	1.08	3.39	1.10	3.61	1.11	3.73	1.12	3.86	1.13	4.13	1.14	4.42	1.15						

12. Capacity Table

Combination (Capacity Index)				Combination (Total)	Combination (%)	Outdoor Temperature (°C, DB)	Indoor Temperature(°C, WB)													
							14		16		18		19		20		22		24	
							TC(kW)	PI(kW)	TC(kW)	PI(kW)	TC(kW)	PI(kW)	TC(kW)	PI(kW)	TC(kW)	PI(kW)	TC(kW)	PI(kW)	TC(kW)	PI(kW)
2000	2500			4500	90%	10	4.07	0.79	5.73	0.81	5.84	0.83	5.91	0.84	5.98	0.84	6.15	0.86	6.34	0.88
						12	4.07	0.81	5.58	0.83	5.69	0.85	5.76	0.85	5.84	0.86	6.02	0.88	6.22	0.90
						14	4.07	0.83	5.43	0.85	5.55	0.87	5.63	0.88	5.71	0.88	5.89	0.90	6.10	0.92
						16	4.07	0.85	5.29	0.87	5.42	0.89	5.50	0.90	5.58	0.90	5.77	0.92	5.99	0.94
						18	4.07	0.87	5.15	0.89	5.29	0.91	5.37	0.92	5.46	0.93	5.66	0.94	5.89	0.96
						20	4.07	0.89	5.02	0.91	5.17	0.93	5.25	0.94	5.34	0.95	5.55	0.97	5.79	0.98
						21	4.07	0.90	4.96	0.92	5.11	0.94	5.19	0.95	5.29	0.96	5.50	0.98	5.74	0.99
						23	4.07	0.93	4.83	0.95	4.99	0.96	5.09	0.97	5.18	0.98	5.40	1.00	5.65	1.02
						25	4.07	0.95	4.72	0.97	4.89	0.99	4.98	1.00	5.09	1.01	5.31	1.02	5.57	1.04
						27	4.07	0.97	4.61	0.99	4.79	1.01	4.89	1.02	4.99	1.03	5.23	1.05	5.49	1.06
						29	4.07	1.00	4.51	1.02	4.69	1.04	4.80	1.05	4.91	1.05	5.15	1.07	5.42	1.09
						31	4.07	1.02	4.42	1.04	4.61	1.06	4.71	1.07	4.83	1.08	5.08	1.10	5.36	1.11
						33	4.07	1.05	4.33	1.07	4.53	1.09	4.64	1.10	4.76	1.11	5.01	1.12	5.30	1.14
						35	4.07	1.08	4.24	1.10	4.45	1.11	4.60	1.12	4.69	1.13	4.96	1.15	5.25	1.16
						37	4.07	1.10	4.17	1.12	4.38	1.14	4.50	1.15	4.63	1.16	4.90	1.18	5.21	1.19
						39	4.07	1.13	4.10	1.15	4.32	1.17	4.44	1.18	4.57	1.19	4.86	1.20	5.17	1.22
						42	4.07	1.17	4.01	1.19	4.24	1.21	4.37	1.22	4.51	1.23	4.80	1.25	5.12	1.26
						44	4.07	1.20	3.95	1.22	4.20	1.24	4.33	1.25	4.47	1.26	4.77	1.27	5.10	1.29
46	4.07	1.23	3.90	1.25	4.16	1.27	4.29	1.28	4.44	1.29	4.75	1.30	5.09	1.32						
2000	3500			5500	110%	10	4.42	0.86	6.23	0.89	6.35	0.91	6.42	0.92	6.50	0.93	6.68	0.95	6.90	0.97
						12	4.42	0.89	6.06	0.91	6.19	0.93	6.27	0.94	6.35	0.95	6.54	0.97	6.76	0.99
						14	4.42	0.91	5.90	0.93	6.04	0.95	6.12	0.96	6.20	0.97	6.40	0.99	6.63	1.01
						16	4.42	0.93	5.75	0.95	5.89	0.97	5.97	0.98	6.06	0.99	6.27	1.01	6.51	1.03
						18	4.42	0.95	5.60	0.98	5.75	1.00	5.84	1.01	5.93	1.02	6.15	1.04	6.40	1.06
						20	4.42	0.98	5.45	1.00	5.62	1.02	5.71	1.03	5.81	1.04	6.03	1.06	6.29	1.08
						21	4.42	0.99	5.39	1.01	5.55	1.03	5.65	1.04	5.75	1.05	5.98	1.07	6.24	1.09
						23	4.42	1.02	5.25	1.04	5.43	1.06	5.53	1.07	5.63	1.08	5.87	1.10	6.14	1.12
						25	4.42	1.04	5.13	1.06	5.31	1.08	5.42	1.09	5.53	1.10	5.77	1.12	6.05	1.14
						27	4.42	1.07	5.01	1.09	5.20	1.11	5.31	1.12	5.43	1.13	5.68	1.15	5.97	1.17
						29	4.42	1.10	4.90	1.12	5.10	1.14	5.21	1.15	5.33	1.16	5.60	1.18	5.89	1.19
						31	4.42	1.12	4.80	1.15	5.01	1.17	5.12	1.18	5.25	1.19	5.52	1.20	5.82	1.22
						33	4.42	1.15	4.70	1.17	4.92	1.19	5.04	1.20	5.17	1.21	5.45	1.23	5.76	1.25
						35	4.42	1.18	4.61	1.20	4.84	1.22	5.00	1.23	5.10	1.24	5.39	1.26	5.71	1.28
						37	4.42	1.21	4.53	1.23	4.76	1.25	4.89	1.26	5.03	1.27	5.33	1.29	5.66	1.31
						39	4.42	1.24	4.45	1.26	4.70	1.28	4.83	1.29	4.97	1.30	5.28	1.32	5.62	1.34
						42	4.42	1.29	4.35	1.31	4.61	1.33	4.75	1.34	4.90	1.35	5.22	1.37	5.57	1.39
						44	4.42	1.32	4.30	1.34	4.56	1.36	4.70	1.37	4.86	1.38	5.18	1.40	5.55	1.42
46	4.42	1.35	4.24	1.38	4.52	1.39	4.67	1.40	4.82	1.41	5.16	1.43	5.53	1.45						

12. Capacity Table

Combination (Capacity Index)				Combination (Total)	Combination (%)	Outdoor Temperature (°C, DB)	Indoor Temperature(°C, WB)													
							14		16		18		19		20		22		24	
							TC(kW)	PI(kW)	TC(kW)	PI(kW)	TC(kW)	PI(kW)	TC(kW)	PI(kW)	TC(kW)	PI(kW)	TC(kW)	PI(kW)	TC(kW)	PI(kW)
2500	2500			5000	100%	10	4.42	0.86	6.23	0.88	6.35	0.90	6.42	0.91	6.50	0.92	6.68	0.94	6.90	0.96
						12	4.42	0.88	6.06	0.90	6.19	0.92	6.27	0.93	6.35	0.94	6.54	0.96	6.76	0.98
						14	4.42	0.90	5.90	0.92	6.04	0.94	6.12	0.95	6.20	0.96	6.40	0.98	6.63	1.00
						16	4.42	0.92	5.75	0.95	5.89	0.97	5.97	0.98	6.06	0.99	6.27	1.00	6.51	1.02
						18	4.42	0.95	5.60	0.97	5.75	0.99	5.84	1.00	5.93	1.01	6.15	1.03	6.40	1.05
						20	4.42	0.97	5.45	0.99	5.62	1.01	5.71	1.02	5.81	1.03	6.03	1.05	6.29	1.07
						21	4.42	0.98	5.39	1.00	5.55	1.03	5.65	1.04	5.75	1.04	5.98	1.06	6.24	1.08
						23	4.42	1.01	5.25	1.03	5.43	1.05	5.53	1.06	5.63	1.07	5.87	1.09	6.14	1.11
						25	4.42	1.03	5.13	1.06	5.31	1.08	5.42	1.09	5.53	1.10	5.77	1.11	6.05	1.13
						27	4.42	1.06	5.01	1.08	5.20	1.10	5.31	1.11	5.43	1.12	5.68	1.14	5.97	1.16
						29	4.42	1.09	4.90	1.11	5.10	1.13	5.21	1.14	5.33	1.15	5.60	1.17	5.89	1.18
						31	4.42	1.12	4.80	1.14	5.01	1.16	5.12	1.17	5.25	1.18	5.52	1.19	5.82	1.21
						33	4.42	1.14	4.70	1.16	4.92	1.18	5.04	1.19	5.17	1.20	5.45	1.22	5.76	1.24
						35	4.42	1.17	4.61	1.19	4.84	1.21	5.00	1.22	5.10	1.23	5.39	1.25	5.71	1.27
						37	4.42	1.20	4.53	1.22	4.76	1.24	4.89	1.25	5.03	1.26	5.33	1.28	5.66	1.30
						39	4.42	1.23	4.45	1.25	4.70	1.27	4.83	1.28	4.97	1.29	5.28	1.31	5.62	1.33
42	4.42	1.28	4.35	1.30	4.61	1.32	4.75	1.33	4.90	1.34	5.22	1.36	5.57	1.37						
44	4.42	1.31	4.30	1.33	4.56	1.35	4.70	1.36	4.86	1.37	5.18	1.39	5.55	1.41						
46	4.42	1.34	4.24	1.36	4.52	1.38	4.67	1.39	4.82	1.40	5.16	1.42	5.53	1.44						
2500	3500			6000	120%	10	4.42	0.86	6.23	0.89	6.35	0.91	6.42	0.92	6.50	0.93	6.68	0.95	6.90	0.97
						12	4.42	0.89	6.06	0.91	6.19	0.93	6.27	0.94	6.35	0.95	6.54	0.97	6.76	0.99
						14	4.42	0.91	5.90	0.93	6.04	0.95	6.12	0.96	6.20	0.97	6.40	0.99	6.63	1.01
						16	4.42	0.93	5.75	0.95	5.89	0.97	5.97	0.98	6.06	0.99	6.27	1.01	6.51	1.03
						18	4.42	0.95	5.60	0.98	5.75	1.00	5.84	1.01	5.93	1.02	6.15	1.04	6.40	1.06
						20	4.42	0.98	5.45	1.00	5.62	1.02	5.71	1.03	5.81	1.04	6.03	1.06	6.29	1.08
						21	4.42	0.99	5.39	1.01	5.55	1.03	5.65	1.04	5.75	1.05	5.98	1.07	6.24	1.09
						23	4.42	1.02	5.25	1.04	5.43	1.06	5.53	1.07	5.63	1.08	5.87	1.10	6.14	1.12
						25	4.42	1.04	5.13	1.06	5.31	1.08	5.42	1.09	5.53	1.10	5.77	1.12	6.05	1.14
						27	4.42	1.07	5.01	1.09	5.20	1.11	5.31	1.12	5.43	1.13	5.68	1.15	5.97	1.17
						29	4.42	1.10	4.90	1.12	5.10	1.14	5.21	1.15	5.33	1.16	5.60	1.18	5.89	1.19
						31	4.42	1.12	4.80	1.15	5.01	1.17	5.12	1.18	5.25	1.19	5.52	1.20	5.82	1.22
						33	4.42	1.15	4.70	1.17	4.92	1.19	5.04	1.20	5.17	1.21	5.45	1.23	5.76	1.25
						35	4.42	1.18	4.61	1.20	4.84	1.22	5.00	1.23	5.10	1.24	5.39	1.26	5.71	1.28
						37	4.42	1.21	4.53	1.23	4.76	1.25	4.89	1.26	5.03	1.27	5.33	1.29	5.66	1.31
						39	4.42	1.24	4.45	1.26	4.70	1.28	4.83	1.29	4.97	1.30	5.28	1.32	5.62	1.34
42	4.42	1.29	4.35	1.31	4.61	1.33	4.75	1.34	4.90	1.35	5.22	1.37	5.57	1.39						
44	4.42	1.32	4.30	1.34	4.56	1.36	4.70	1.37	4.86	1.38	5.18	1.40	5.55	1.42						
46	4.42	1.35	4.24	1.38	4.52	1.39	4.67	1.40	4.82	1.41	5.16	1.43	5.53	1.45						

12. Capacity Table

Combination (Capacity Index)				Combination (Total)	Combination (%)	Outdoor Temperature (°C,DB)	Indoor Temperature(°C, WB)													
							14		16		18		19		20		22		24	
							TC(kW)	PI(kW)	TC(kW)	PI(kW)	TC(kW)	PI(kW)	TC(kW)	PI(kW)	TC(kW)	PI(kW)	TC(kW)	PI(kW)	TC(kW)	PI(kW)
3500	3500			7000	140%	10	4.42	0.87	6.23	0.89	6.35	0.91	6.42	0.92	6.50	0.94	6.68	0.95	6.90	0.97
						12	4.42	0.89	6.06	0.91	6.19	0.94	6.27	0.95	6.35	0.96	6.54	0.98	6.76	1.00
						14	4.42	0.92	5.90	0.94	6.04	0.96	6.12	0.97	6.20	0.98	6.40	1.00	6.63	1.02
						16	4.42	0.94	5.75	0.96	5.89	0.98	5.97	0.99	6.06	1.00	6.27	1.02	6.51	1.04
						18	4.42	0.96	5.60	0.98	5.75	1.01	5.84	1.02	5.93	1.03	6.15	1.04	6.40	1.06
						20	4.42	0.99	5.45	1.01	5.62	1.03	5.71	1.04	5.81	1.05	6.03	1.07	6.29	1.09
						21	4.42	1.00	5.39	1.02	5.55	1.04	5.65	1.05	5.75	1.06	5.98	1.08	6.24	1.10
						23	4.42	1.03	5.25	1.05	5.43	1.07	5.53	1.08	5.63	1.09	5.87	1.11	6.14	1.13
						25	4.42	1.05	5.13	1.07	5.31	1.09	5.42	1.10	5.53	1.11	5.77	1.13	6.05	1.15
						27	4.42	1.08	5.01	1.10	5.20	1.12	5.31	1.13	5.43	1.14	5.68	1.16	5.97	1.18
						29	4.42	1.11	4.90	1.13	5.10	1.15	5.21	1.16	5.33	1.17	5.60	1.19	5.89	1.20
						31	4.42	1.13	4.80	1.15	5.01	1.18	5.12	1.19	5.25	1.19	5.52	1.21	5.82	1.23
						33	4.42	1.16	4.70	1.18	4.92	1.20	5.04	1.21	5.17	1.22	5.45	1.24	5.76	1.26
						35	4.42	1.19	4.61	1.21	4.84	1.23	5.00	1.24	5.10	1.25	5.39	1.27	5.71	1.29
						37	4.42	1.22	4.53	1.24	4.76	1.26	4.89	1.27	5.03	1.28	5.33	1.30	5.66	1.32
						39	4.42	1.25	4.45	1.27	4.70	1.29	4.83	1.30	4.97	1.31	5.28	1.33	5.62	1.35
42	4.42	1.30	4.35	1.32	4.61	1.34	4.75	1.35	4.90	1.36	5.22	1.38	5.57	1.40						
44	4.42	1.33	4.30	1.35	4.56	1.37	4.70	1.38	4.86	1.39	5.18	1.41	5.55	1.43						
46	4.42	1.37	4.24	1.39	4.52	1.41	4.67	1.42	4.82	1.43	5.16	1.44	5.53	1.46						

NOTE

- The performance table shows the average value of each conditions.
- The above is the value for connecting with the following indoor units.
 - 2000, 2500, 3500 class : AR07MXWSAWKNEU, AR09MXWSAWKNEU, AR12MXWSAWKNEU
- The total ability of connected a indoor unit is up to 7.0kW
- It is impossible to connect the indoor unit for one room only.
- This data is reference data for temperature capacity trend.

12. Capacity Table

12-2. AJ050NCJ2EG/EU

Heating

Combination (Capacity Index)				Combination (Total)	Combination (%)	Outdoor Temperature (°C,DB)	Indoor Temperature(°C, DB)															
							14		16		18		20		21		22		24			
							TC(kW)	PI(kW)	TC(kW)	PI(kW)	TC(kW)	PI(kW)	TC(kW)	PI(kW)	TC(kW)	PI(kW)	TC(kW)	PI(kW)	TC(kW)	PI(kW)		
2000				2000	40%	-15	1.43	0.70	1.39	0.71	1.35	0.72	1.33	0.72	1.31	0.73	1.28	0.73	1.26	0.74		
						-10	1.71	0.74	1.67	0.75	1.62	0.76	1.60	0.76	1.59	0.77	1.55	0.77	1.53	0.78		
						-5	2.00	0.77	1.95	0.78	1.90	0.79	1.88	0.80	1.86	0.80	1.83	0.81	1.80	0.82		
						0	2.28	0.81	2.23	0.82	2.18	0.83	2.16	0.84	2.14	0.84	2.10	0.85	2.07	0.86		
						2	2.40	0.82	2.34	0.84	2.29	0.85	2.27	0.85	2.25	0.86	2.21	0.87	2.18	0.87		
						7	2.62	0.85	2.57	0.86	2.52	0.88	2.50	0.88	2.47	0.89	2.43	0.90	2.39	0.90		
						10	2.85	0.88	2.79	0.89	2.74	0.91	2.72	0.91	2.69	0.92	2.65	0.93	2.61	0.93		
2500				2500	50%	-15	1.89	0.83	1.83	0.85	1.78	0.86	1.75	0.86	1.73	0.87	1.69	0.88	1.66	0.88		
						-10	2.26	0.88	2.20	0.89	2.14	0.90	2.12	0.91	2.09	0.91	2.05	0.92	2.02	0.93		
						-5	2.64	0.92	2.57	0.94	2.51	0.95	2.48	0.95	2.46	0.96	2.41	0.97	2.37	0.98		
						0	3.01	0.96	2.94	0.98	2.88	0.99	2.85	1.00	2.82	1.00	2.77	1.01	2.73	1.02		
						2	3.16	0.98	3.09	1.00	3.03	1.01	3.00	1.02	2.97	1.02	2.92	1.03	2.87	1.04		
						7	3.46	1.02	3.39	1.03	3.32	1.05	3.30	1.05	3.26	1.06	3.21	1.07	3.16	1.08		
						10	3.76	1.05	3.69	1.07	3.62	1.08	3.59	1.09	3.55	1.09	3.50	1.10	3.45	1.12		
3500				3500	70%	-15	2.29	1.03	2.22	1.05	2.15	1.06	2.13	1.07	2.10	1.07	2.05	1.08	2.01	1.09		
						-10	2.74	1.09	2.67	1.10	2.60	1.12	2.57	1.12	2.54	1.13	2.49	1.14	2.44	1.15		
						-5	3.20	1.14	3.12	1.16	3.04	1.17	3.01	1.18	2.98	1.19	2.92	1.20	2.88	1.21		
						0	3.65	1.19	3.57	1.21	3.49	1.23	3.46	1.24	3.42	1.24	3.36	1.26	3.31	1.27		
						2	3.83	1.22	3.75	1.23	3.67	1.25	3.63	1.26	3.60	1.27	3.54	1.28	3.48	1.29		
						7	4.20	1.26	4.11	1.28	4.03	1.29	4.00	1.30	3.95	1.31	3.89	1.32	3.83	1.34		
						10	4.56	1.30	4.47	1.32	4.38	1.34	4.35	1.35	4.31	1.35	4.24	1.37	4.18	1.38		
2000	2000			4000	80%	-15	2.52	0.80	2.44	0.81	2.37	0.83	2.34	0.83	2.31	0.83	2.26	0.84	2.21	0.85		
						-10	3.02	0.84	2.93	0.86	2.86	0.87	2.82	0.87	2.79	0.88	2.74	0.89	2.69	0.89		
						-5	3.52	0.89	3.43	0.90	3.35	0.91	3.31	0.92	3.28	0.92	3.22	0.93	3.16	0.94		
						0	4.02	0.93	3.92	0.94	3.84	0.95	3.80	0.96	3.76	0.97	3.70	0.98	3.64	0.98		
						2	4.22	0.94	4.12	0.96	4.04	0.97	4.00	0.98	3.96	0.98	3.89	0.99	3.83	1.00		
						7	4.62	0.98	4.52	0.99	4.43	1.01	4.40	1.01	4.35	1.02	4.28	1.03	4.21	1.04		
						10	5.02	1.01	4.92	1.03	4.82	1.04	4.78	1.05	4.74	1.05	4.66	1.06	4.60	1.07		
2000	2500			4500	90%	-15	2.92	1.04	2.83	1.06	2.75	1.07	2.71	1.08	2.68	1.08	2.62	1.09	2.56	1.10		
						-10	3.50	1.10	3.40	1.11	3.31	1.13	3.27	1.13	3.24	1.14	3.17	1.15	3.12	1.16		
						-5	4.08	1.15	3.97	1.17	3.88	1.18	3.84	1.19	3.80	1.20	3.73	1.21	3.67	1.22		
						0	4.66	1.20	4.55	1.22	4.45	1.24	4.41	1.25	4.36	1.25	4.29	1.27	4.22	1.28		
						2	4.89	1.23	4.78	1.24	4.68	1.26	4.63	1.27	4.59	1.27	4.51	1.29	4.44	1.30		
						7	5.35	1.27	5.24	1.29	5.13	1.30	5.10	1.31	5.04	1.32	4.96	1.33	4.89	1.35		
						10	5.82	1.31	5.70	1.33	5.59	1.35	5.54	1.36	5.49	1.36	5.41	1.38	5.33	1.39		
						15	6.40	1.36	6.28	1.38	6.16	1.40	6.11	1.41	6.06	1.42	5.97	1.43	5.88	1.45		

12. Capacity Table

Combination (Capacity Index)				Combination (Total)	Combination (%)	Outdoor Temperature (°C,DB)	Indoor Temperature(°C, DB)													
							14		16		18		20		21		22		24	
							TC(kW)	PI(kW)	TC(kW)	PI(kW)	TC(kW)	PI(kW)	TC(kW)	PI(kW)	TC(kW)	PI(kW)	TC(kW)	PI(kW)	TC(kW)	PI(kW)
2000	3500		5500	110%	-15	3.21	1.03	3.11	1.04	3.02	1.05	2.98	1.06	2.94	1.07	2.87	1.08	2.82	1.09	
					-10	3.84	1.08	3.73	1.10	3.64	1.11	3.60	1.12	3.55	1.12	3.48	1.13	3.42	1.14	
					-5	4.48	1.13	4.36	1.15	4.26	1.16	4.22	1.17	4.17	1.18	4.09	1.19	4.03	1.20	
					0	5.11	1.19	4.99	1.20	4.89	1.22	4.84	1.23	4.79	1.23	4.71	1.25	4.63	1.26	
					2	5.37	1.21	5.25	1.22	5.14	1.24	5.09	1.25	5.04	1.26	4.95	1.27	4.88	1.28	
					7	5.88	1.25	5.75	1.27	5.64	1.28	5.60	1.29	5.54	1.30	5.44	1.31	5.36	1.33	
					10	6.39	1.29	6.26	1.31	6.14	1.33	6.08	1.34	6.03	1.34	5.94	1.36	5.85	1.37	
					15	7.03	1.34	6.89	1.36	6.77	1.38	6.71	1.39	6.65	1.40	6.55	1.41	6.46	1.43	
2500	2500		5000	100%	-15	3.21	1.02	3.11	1.03	3.02	1.05	2.98	1.05	2.94	1.06	2.87	1.07	2.82	1.08	
					-10	3.84	1.07	3.73	1.09	3.64	1.10	3.60	1.11	3.55	1.11	3.48	1.12	3.42	1.13	
					-5	4.48	1.12	4.36	1.14	4.26	1.16	4.22	1.16	4.17	1.17	4.09	1.18	4.03	1.19	
					0	5.11	1.18	4.99	1.19	4.89	1.21	4.84	1.22	4.79	1.22	4.71	1.24	4.63	1.25	
					2	5.37	1.20	5.25	1.21	5.14	1.23	5.09	1.24	5.04	1.25	4.95	1.26	4.88	1.27	
					7	5.88	1.24	5.75	1.26	5.64	1.27	5.60	1.28	5.54	1.29	5.44	1.30	5.36	1.32	
					10	6.39	1.28	6.26	1.30	6.14	1.32	6.08	1.32	6.03	1.33	5.94	1.35	5.85	1.36	
					15	7.03	1.33	6.89	1.35	6.77	1.37	6.71	1.38	6.65	1.39	6.55	1.40	6.46	1.41	
2500	3500		6000	120%	-15	3.21	1.03	3.11	1.04	3.02	1.05	2.98	1.06	2.94	1.07	2.87	1.08	2.82	1.09	
					-10	3.84	1.08	3.73	1.10	3.64	1.11	3.60	1.12	3.55	1.12	3.48	1.13	3.42	1.14	
					-5	4.48	1.13	4.36	1.15	4.26	1.16	4.22	1.17	4.17	1.18	4.09	1.19	4.03	1.20	
					0	5.11	1.19	4.99	1.20	4.89	1.22	4.84	1.23	4.79	1.23	4.71	1.25	4.63	1.26	
					2	5.37	1.21	5.25	1.22	5.14	1.24	5.09	1.25	5.04	1.26	4.95	1.27	4.88	1.28	
					7	5.88	1.25	5.75	1.27	5.64	1.28	5.60	1.29	5.54	1.30	5.44	1.31	5.36	1.33	
					10	6.39	1.29	6.26	1.31	6.14	1.33	6.08	1.34	6.03	1.34	5.94	1.36	5.85	1.37	
					15	7.03	1.34	6.89	1.36	6.77	1.38	6.71	1.39	6.65	1.40	6.55	1.41	6.46	1.43	
3500	3500		7000	140%	-15	3.21	1.03	3.11	1.05	3.02	1.06	2.98	1.07	2.94	1.07	2.87	1.08	2.82	1.09	
					-10	3.84	1.09	3.73	1.10	3.64	1.12	3.60	1.12	3.55	1.13	3.48	1.14	3.42	1.15	
					-5	4.48	1.14	4.36	1.16	4.26	1.17	4.22	1.18	4.17	1.19	4.09	1.20	4.03	1.21	
					0	5.11	1.19	4.99	1.21	4.89	1.23	4.84	1.24	4.79	1.24	4.71	1.26	4.63	1.27	
					2	5.37	1.22	5.25	1.23	5.14	1.25	5.09	1.26	5.04	1.27	4.95	1.28	4.88	1.29	
					7	5.88	1.26	5.75	1.28	5.64	1.29	5.60	1.30	5.54	1.31	5.44	1.32	5.36	1.34	
					10	6.39	1.30	6.26	1.32	6.14	1.34	6.08	1.35	6.03	1.35	5.94	1.37	5.85	1.38	
					15	7.03	1.35	6.89	1.37	6.77	1.39	6.71	1.40	6.65	1.41	6.55	1.42	6.46	1.44	

NOTE

- The performance table shows the average value of each conditions.
- The above is the value for connecting with the following indoor units.
 - 2000, 2500, 3500 class : AR07MXWSAWKNEU, AR09MXWSAWKNEU, AR12MXWSAWKNEU
- The total ability of connected a indoor unit is up to 7.0kW
- It is impossible to connect the indoor unit for one room only.
- This data is reference data for temperature capacity trend.

12. Capacity Table

12-3. AJ052RCJ3EG/EU

Cooling

Combination (Capacity Index)			Combination (Total)	Combination (%)	Outdoor Temperature (°C, DB)	Indoor Temperature(°C, WB)																	
						14		16		18		19		20		22		24					
						TC(kW)	PI(kW)	TC(kW)	PI(kW)	TC(kW)	PI(kW)	TC(kW)	PI(kW)	TC(kW)	PI(kW)	TC(kW)	PI(kW)	TC(kW)	PI(kW)				
2000			2000	38%	10	1.60	0.36	2.32	0.41	2.42	0.44	2.46	0.46	2.51	0.47	2.61	0.49	2.71	0.51				
					12	1.60	0.38	2.28	0.42	2.38	0.45	2.43	0.47	2.48	0.48	2.57	0.50	2.67	0.52	2.77	0.53		
					14	1.60	0.40	2.24	0.44	2.34	0.47	2.39	0.48	2.44	0.50	2.53	0.52	2.63	0.53	2.73	0.54	2.83	0.55
					16	1.60	0.41	2.21	0.45	2.30	0.48	2.35	0.50	2.40	0.51	2.50	0.53	2.59	0.54	2.69	0.55	2.79	0.56
					18	1.60	0.43	2.17	0.47	2.27	0.50	2.31	0.51	2.36	0.52	2.46	0.54	2.55	0.55	2.65	0.56	2.75	0.57
					20	1.60	0.45	2.13	0.48	2.23	0.51	2.28	0.52	2.32	0.53	2.42	0.55	2.52	0.56	2.62	0.57	2.72	0.58
					21	1.60	0.46	2.12	0.49	2.21	0.52	2.26	0.53	2.30	0.54	2.40	0.56	2.50	0.57	2.60	0.58	2.70	0.59
					23	1.60	0.48	2.08	0.51	2.17	0.53	2.22	0.55	2.27	0.56	2.36	0.57	2.46	0.58	2.56	0.59	2.66	0.60
					25	1.60	0.49	2.04	0.53	2.14	0.55	2.18	0.56	2.23	0.57	2.32	0.58	2.42	0.59	2.52	0.60	2.62	0.61
					27	1.60	0.51	2.01	0.54	2.10	0.57	2.15	0.58	2.19	0.58	2.29	0.60	2.38	0.61	2.48	0.62	2.58	0.63
					29	1.60	0.53	1.97	0.56	2.06	0.58	2.11	0.59	2.16	0.60	2.25	0.61	2.34	0.62	2.44	0.63	2.54	0.64
					31	1.60	0.55	1.94	0.58	2.03	0.60	2.07	0.61	2.12	0.61	2.21	0.62	2.30	0.62	2.40	0.63	2.50	0.64
					33	1.60	0.57	1.90	0.60	1.99	0.61	2.04	0.62	2.08	0.63	2.17	0.64	2.27	0.64	2.37	0.65	2.47	0.65
					35	1.60	0.59	1.86	0.61	1.95	0.63	2.00	0.63	2.04	0.64	2.14	0.65	2.23	0.65	2.33	0.66	2.43	0.66
					37	1.60	0.61	1.83	0.63	1.92	0.65	1.96	0.65	2.01	0.66	2.10	0.66	2.19	0.66	2.29	0.67	2.39	0.67
					39	1.60	0.63	1.79	0.65	1.88	0.67	1.93	0.67	1.97	0.68	2.06	0.68	2.15	0.68	2.25	0.69	2.35	0.69
42	1.58	0.66	1.74	0.68	1.83	0.69	1.87	0.70	1.92	0.70	2.01	0.70	2.10	0.70	2.20	0.71	2.30	0.71					
44	1.50	0.68	1.71	0.70	1.79	0.71	1.84	0.71	1.88	0.72	1.97	0.72	2.06	0.72	2.16	0.73	2.26	0.73					
46	1.46	0.70	1.67	0.72	1.76	0.73	1.80	0.73	1.84	0.73	1.93	0.73	2.02	0.73	2.12	0.74	2.22	0.74					
2500			2500	48%	10	2.00	0.46	2.90	0.51	3.02	0.55	3.08	0.57	3.14	0.59	3.26	0.62	3.39	0.64	3.51	0.66		
					12	2.00	0.48	2.85	0.53	2.97	0.57	3.03	0.59	3.09	0.60	3.22	0.63	3.34	0.65	3.46	0.67	3.58	0.68
					14	2.00	0.50	2.80	0.55	2.93	0.59	2.99	0.61	3.05	0.62	3.17	0.65	3.29	0.66	3.41	0.68	3.53	0.69
					16	2.00	0.52	2.76	0.57	2.88	0.61	2.94	0.62	3.00	0.64	3.12	0.66	3.24	0.68	3.36	0.70	3.48	0.71
					18	2.00	0.54	2.71	0.59	2.83	0.62	2.89	0.64	2.95	0.65	3.07	0.68	3.19	0.69	3.31	0.71	3.43	0.72
					20	2.00	0.56	2.67	0.61	2.79	0.64	2.85	0.66	2.90	0.67	3.02	0.69	3.14	0.70	3.26	0.72	3.38	0.73
					21	2.00	0.58	2.64	0.62	2.76	0.65	2.82	0.67	2.88	0.68	3.00	0.70	3.12	0.71	3.24	0.73	3.36	0.74
					23	2.00	0.60	2.60	0.64	2.72	0.67	2.78	0.68	2.83	0.70	2.95	0.71	3.07	0.72	3.19	0.74	3.31	0.75
					25	2.00	0.62	2.55	0.66	2.67	0.69	2.73	0.70	2.79	0.71	2.91	0.73	3.02	0.74	3.14	0.75	3.26	0.76
					27	2.00	0.64	2.51	0.68	2.62	0.71	2.68	0.72	2.74	0.73	2.86	0.75	2.98	0.76	3.10	0.77	3.22	0.78
					29	2.00	0.67	2.46	0.70	2.58	0.73	2.64	0.74	2.69	0.75	2.81	0.76	2.93	0.77	3.05	0.78	3.17	0.79
					31	2.00	0.69	2.42	0.72	2.53	0.75	2.59	0.76	2.65	0.77	2.76	0.78	2.88	0.78	3.00	0.79	3.12	0.80
					33	2.00	0.71	2.37	0.75	2.49	0.77	2.54	0.78	2.60	0.79	2.72	0.80	2.83	0.80	2.95	0.81	3.07	0.81
					35	2.00	0.74	2.33	0.77	2.44	0.79	2.50	0.79	2.56	0.81	2.67	0.81	2.78	0.82	2.90	0.82	3.02	0.83
					37	2.00	0.76	2.29	0.79	2.40	0.81	2.45	0.82	2.51	0.83	2.62	0.83	2.74	0.83	2.86	0.84	2.98	0.84
					39	2.00	0.79	2.24	0.82	2.35	0.84	2.41	0.84	2.46	0.85	2.58	0.85	2.69	0.85	2.81	0.86	2.93	0.85
42	1.98	0.83	2.18	0.85	2.29	0.87	2.34	0.87	2.40	0.88	2.51	0.88	2.62	0.88	2.74	0.89	2.86	0.87					
44	1.88	0.85	2.13	0.88	2.24	0.89	2.30	0.90	2.35	0.90	2.46	0.90	2.57	0.89	2.69	0.90	2.81	0.88					
46	1.83	0.88	2.09	0.90	2.20	0.91	2.25	0.92	2.30	0.92	2.41	0.92	2.52	0.91	2.64	0.91	2.76	0.89					

12. Capacity Table

Combination (Capacity Index)			Combination (Total)	Combination (%)	Outdoor Temperature (°C, DB)	Indoor Temperature(°C, WB)															
						14		16		18		19		20		22		24			
						TC(kW)	PI(kW)	TC(kW)	PI(kW)	TC(kW)	PI(kW)	TC(kW)	PI(kW)	TC(kW)	PI(kW)	TC(kW)	PI(kW)	TC(kW)	PI(kW)		
3500			3500	67%	10	2.80	0.67	4.06	0.74	4.23	0.80	4.31	0.83	4.40	0.86	4.57	0.90	4.74	0.93		
					12	2.80	0.70	3.99	0.77	4.16	0.83	4.25	0.86	4.33	0.88	4.50	0.92	4.68	0.95	4.85	0.98
					14	2.80	0.73	3.93	0.80	4.10	0.86	4.18	0.88	4.26	0.90	4.44	0.94	4.61	0.97	4.78	1.00
					16	2.80	0.76	3.86	0.82	4.03	0.88	4.11	0.91	4.20	0.93	4.37	0.96	4.54	0.99	4.71	1.02
					18	2.80	0.79	3.80	0.85	3.96	0.91	4.05	0.93	4.13	0.95	4.30	0.98	4.47	1.00	4.64	1.03
					20	2.80	0.82	3.73	0.88	3.90	0.94	3.98	0.96	4.07	0.98	4.23	1.01	4.40	1.02	4.57	1.05
					21	2.80	0.84	3.70	0.90	3.87	0.95	3.95	0.97	4.03	0.99	4.20	1.02	4.37	1.03	4.54	1.06
					23	2.80	0.87	3.64	0.93	3.80	0.98	3.89	1.00	3.97	1.01	4.13	1.04	4.30	1.05	4.47	1.08
					25	2.80	0.90	3.58	0.96	3.74	1.00	3.82	1.02	3.90	1.04	4.07	1.06	4.23	1.08	4.40	1.10
					27	2.80	0.94	3.51	0.99	3.67	1.03	3.76	1.05	3.84	1.07	4.00	1.09	4.17	1.10	4.34	1.12
					29	2.80	0.97	3.45	1.02	3.61	1.06	3.69	1.08	3.77	1.09	3.93	1.11	4.10	1.12	4.27	1.14
					31	2.80	1.01	3.39	1.05	3.55	1.09	3.63	1.11	3.71	1.12	3.87	1.14	4.03	1.14	4.19	1.16
					33	2.80	1.04	3.32	1.09	3.48	1.12	3.56	1.14	3.64	1.15	3.80	1.16	3.97	1.16	4.13	1.18
					35	2.80	1.08	3.26	1.12	3.42	1.15	3.50	1.15	3.58	1.18	3.74	1.19	3.90	1.19	4.06	1.20
					37	2.80	1.11	3.20	1.15	3.36	1.18	3.43	1.20	3.51	1.20	3.67	1.21	3.83	1.21	3.99	1.22
					39	2.80	1.15	3.14	1.19	3.29	1.22	3.37	1.23	3.45	1.23	3.61	1.24	3.77	1.23	3.93	1.24
42	2.77	1.20	3.05	1.24	3.20	1.26	3.28	1.27	3.35	1.28	3.51	1.28	3.67	1.27	3.83	1.28					
44	2.63	1.24	2.98	1.27	3.14	1.30	3.21	1.30	3.29	1.31	3.45	1.31	3.60	1.30	3.76	1.30					
46	2.56	1.28	2.92	1.31	3.07	1.33	3.15	1.34	3.23	1.34	3.38	1.34	3.54	1.32	3.70	1.32					
5000			5000	96%	10	4.00	0.94	5.79	1.04	6.04	1.13	6.16	1.17	6.28	1.21	6.53	1.27	6.78	1.31		
					12	4.00	0.98	5.70	1.08	5.94	1.17	6.07	1.21	6.19	1.24	6.43	1.30	6.68	1.34		
					14	4.00	1.02	5.61	1.12	5.85	1.21	5.97	1.24	6.09	1.27	6.34	1.33	6.58	1.36		
					16	4.00	1.07	5.52	1.16	5.76	1.24	5.88	1.28	6.00	1.31	6.24	1.36	6.48	1.39		
					18	4.00	1.11	5.43	1.20	5.66	1.28	5.78	1.31	5.90	1.34	6.14	1.39	6.39	1.42		
					20	4.00	1.16	5.34	1.24	5.57	1.32	5.69	1.35	5.81	1.37	6.05	1.42	6.29	1.44		
					21	4.00	1.18	5.29	1.27	5.53	1.34	5.64	1.37	5.76	1.39	6.00	1.43	6.24	1.46		
					23	4.00	1.23	5.20	1.31	5.43	1.38	5.55	1.40	5.67	1.43	5.91	1.46	6.14	1.49		
					25	4.00	1.27	5.11	1.35	5.34	1.42	5.46	1.44	5.57	1.46	5.81	1.50	6.05	1.52		
					27	4.00	1.32	5.02	1.40	5.25	1.46	5.37	1.48	5.48	1.50	5.72	1.53	5.95	1.55		
					29	4.00	1.37	4.93	1.44	5.16	1.50	5.27	1.52	5.39	1.54	5.62	1.56	5.86	1.58		
					31	4.00	1.42	4.84	1.49	5.07	1.54	5.18	1.56	5.30	1.58	5.53	1.60	5.76	1.61		
					33	4.00	1.47	4.75	1.53	4.98	1.58	5.09	1.60	5.20	1.62	5.43	1.64	5.66	1.64		
					35	4.00	1.52	4.66	1.58	4.89	1.62	5.00	1.62	5.11	1.66	5.34	1.67	5.57	1.67		
					37	4.00	1.57	4.57	1.63	4.79	1.67	4.91	1.68	5.02	1.70	5.25	1.71	5.47	1.70		
					39	4.00	1.62	4.48	1.67	4.70	1.71	4.82	1.73	4.93	1.74	5.15	1.75	5.38	1.74		
42	3.95	1.70	4.35	1.75	4.57	1.78	4.68	1.79	4.79	1.80	5.01	1.80	5.24	1.79							
44	3.75	1.75	4.26	1.80	4.48	1.83	4.59	1.84	4.70	1.84	4.92	1.84	5.14	1.83							
46	3.65	1.80	4.18	1.85	4.39	1.87	4.50	1.88	4.61	1.89	4.83	1.88	5.05	1.86							

12. Capacity Table

Combination (Capacity Index)		Combination (Total)	Combination (%)	Outdoor Temperature (°C,DB)	Indoor Temperature(°C, WB)													
					14		16		18		19		20		22		24	
					TC(kW)	PI(kW)	TC(kW)	PI(kW)	TC(kW)	PI(kW)	TC(kW)	PI(kW)	TC(kW)	PI(kW)	TC(kW)	PI(kW)	TC(kW)	PI(kW)
2000	2000	4000	77%	10	3.53	0.87	4.99	0.89	5.08	0.91	5.14	0.92	5.20	0.94	5.35	0.95	5.52	0.97
				12	3.53	0.89	4.85	0.91	4.95	0.94	5.01	0.95	5.08	0.96	5.23	0.98	5.41	1.00
				14	3.53	0.92	4.72	0.94	4.83	0.96	4.89	0.97	4.96	0.98	5.12	1.00	5.31	1.02
				16	3.53	0.94	4.60	0.96	4.71	0.98	4.78	0.99	4.85	1.00	5.02	1.02	5.21	1.04
				18	3.53	0.96	4.48	0.98	4.60	1.01	4.67	1.02	4.75	1.03	4.92	1.04	5.12	1.06
				20	3.53	0.99	4.36	1.01	4.49	1.03	4.57	1.04	4.65	1.05	4.83	1.07	5.03	1.09
				21	3.53	1.00	4.31	1.02	4.44	1.04	4.52	1.05	4.60	1.06	4.78	1.08	4.99	1.10
				23	3.53	1.03	4.20	1.05	4.34	1.07	4.42	1.08	4.51	1.09	4.70	1.11	4.91	1.13
				25	3.53	1.05	4.10	1.07	4.25	1.09	4.33	1.10	4.42	1.11	4.62	1.13	4.84	1.15
				27	3.53	1.08	4.01	1.10	4.16	1.12	4.25	1.13	4.34	1.14	4.55	1.16	4.78	1.18
				29	3.53	1.11	3.92	1.13	4.08	1.15	4.17	1.16	4.27	1.17	4.48	1.19	4.72	1.20
				31	3.53	1.13	3.84	1.15	4.01	1.18	4.10	1.19	4.20	1.19	4.42	1.21	4.66	1.23
				33	3.53	1.16	3.76	1.18	3.94	1.20	4.03	1.21	4.13	1.22	4.36	1.24	4.61	1.26
				35	3.53	1.19	3.69	1.21	3.87	1.23	4.00	1.24	4.08	1.25	4.31	1.27	4.57	1.29
				37	3.53	1.22	3.62	1.24	3.81	1.26	3.91	1.27	4.02	1.28	4.26	1.30	4.53	1.32
				39	3.53	1.25	3.56	1.27	3.76	1.29	3.86	1.30	3.98	1.31	4.22	1.33	4.49	1.35
42	3.53	1.30	3.48	1.32	3.69	1.34	3.80	1.35	3.92	1.36	4.17	1.38	4.46	1.40				
44	3.53	1.33	3.44	1.35	3.65	1.37	3.76	1.38	3.89	1.39	4.15	1.41	4.44	1.43				
46	3.53	1.37	3.39	1.39	3.61	1.41	3.73	1.42	3.86	1.43	4.13	1.44	4.42	1.46				
2000	2500	4500	87%	10	4.07	0.99	5.73	1.02	5.84	1.04	5.91	1.05	5.98	1.06	6.15	1.09	6.34	1.11
				12	4.07	1.02	5.58	1.04	5.69	1.06	5.76	1.08	5.84	1.09	6.02	1.11	6.22	1.13
				14	4.07	1.04	5.43	1.07	5.55	1.09	5.63	1.10	5.71	1.11	5.89	1.14	6.10	1.16
				16	4.07	1.07	5.29	1.09	5.42	1.12	5.50	1.13	5.58	1.14	5.77	1.16	5.99	1.18
				18	4.07	1.09	5.15	1.12	5.29	1.14	5.37	1.15	5.46	1.17	5.66	1.19	5.89	1.21
				20	4.07	1.12	5.02	1.15	5.17	1.17	5.25	1.18	5.34	1.19	5.55	1.22	5.79	1.24
				21	4.07	1.14	4.96	1.16	5.11	1.18	5.19	1.20	5.29	1.21	5.50	1.23	5.74	1.25
				23	4.07	1.17	4.83	1.19	4.99	1.21	5.09	1.23	5.18	1.24	5.40	1.26	5.65	1.28
				25	4.07	1.20	4.72	1.22	4.89	1.24	4.98	1.25	5.09	1.27	5.31	1.29	5.57	1.31
				27	4.07	1.23	4.61	1.25	4.79	1.27	4.89	1.28	4.99	1.30	5.23	1.32	5.49	1.34
				29	4.07	1.26	4.51	1.28	4.69	1.30	4.80	1.32	4.91	1.33	5.15	1.35	5.42	1.37
				31	4.07	1.29	4.42	1.31	4.61	1.34	4.71	1.35	4.83	1.36	5.08	1.38	5.36	1.40
				33	4.07	1.32	4.33	1.35	4.53	1.37	4.64	1.38	4.76	1.39	5.01	1.41	5.30	1.43
				35	4.07	1.36	4.24	1.38	4.45	1.40	4.60	1.41	4.69	1.42	4.96	1.45	5.25	1.47
				37	4.07	1.39	4.17	1.41	4.38	1.44	4.50	1.45	4.63	1.46	4.90	1.48	5.21	1.50
				39	4.07	1.42	4.10	1.45	4.32	1.47	4.44	1.48	4.57	1.49	4.86	1.51	5.17	1.53
42	4.07	1.48	4.01	1.50	4.24	1.52	4.37	1.54	4.51	1.55	4.80	1.57	5.12	1.59				
44	4.07	1.52	3.95	1.54	4.20	1.56	4.33	1.57	4.47	1.58	4.77	1.60	5.10	1.62				
46	4.07	1.55	3.90	1.58	4.16	1.60	4.29	1.61	4.44	1.62	4.75	1.64	5.09	1.66				

12. Capacity Table

Combination (Capacity Index)			Combination (Total)	Combination (%)	Outdoor Temperature (°C, DB)	Indoor Temperature(°C, WB)													
						14		16		18		19		20		22		24	
						TC(kW)	PI(kW)	TC(kW)	PI(kW)	TC(kW)	PI(kW)	TC(kW)	PI(kW)	TC(kW)	PI(kW)	TC(kW)	PI(kW)	TC(kW)	PI(kW)
2000	3500	5500	106%	10	4.42	1.07	6.23	1.09	6.35	1.12	6.42	1.13	6.50	1.15	6.68	1.17	6.90	1.19	
				12	4.42	1.09	6.06	1.12	6.19	1.15	6.27	1.16	6.35	1.17	6.54	1.20	6.76	1.22	
				14	4.42	1.12	5.90	1.15	6.04	1.17	6.12	1.19	6.20	1.20	6.40	1.22	6.63	1.25	
				16	4.42	1.15	5.75	1.18	5.89	1.20	5.97	1.22	6.06	1.23	6.27	1.25	6.51	1.28	
				18	4.42	1.18	5.60	1.21	5.75	1.23	5.84	1.24	5.93	1.26	6.15	1.28	6.40	1.30	
				20	4.42	1.21	5.45	1.24	5.62	1.26	5.71	1.27	5.81	1.29	6.03	1.31	6.29	1.33	
				21	4.42	1.23	5.39	1.25	5.55	1.28	5.65	1.29	5.75	1.30	5.98	1.33	6.24	1.35	
				23	4.42	1.26	5.25	1.28	5.43	1.31	5.53	1.32	5.63	1.33	5.87	1.36	6.14	1.38	
				25	4.42	1.29	5.13	1.31	5.31	1.34	5.42	1.35	5.53	1.36	5.77	1.39	6.05	1.41	
				27	4.42	1.32	5.01	1.35	5.20	1.37	5.31	1.39	5.43	1.40	5.68	1.42	5.97	1.44	
				29	4.42	1.36	4.90	1.38	5.10	1.41	5.21	1.42	5.33	1.43	5.60	1.45	5.89	1.48	
				31	4.42	1.39	4.80	1.42	5.01	1.44	5.12	1.45	5.25	1.46	5.52	1.49	5.82	1.51	
				33	4.42	1.42	4.70	1.45	4.92	1.48	5.04	1.49	5.17	1.50	5.45	1.52	5.76	1.55	
				35	4.42	1.46	4.61	1.49	4.84	1.51	5.00	1.52	5.10	1.54	5.39	1.56	5.71	1.58	
				37	4.42	1.50	4.53	1.52	4.76	1.55	4.89	1.56	5.03	1.57	5.33	1.60	5.66	1.62	
				39	4.42	1.54	4.45	1.56	4.70	1.59	4.83	1.60	4.97	1.61	5.28	1.63	5.62	1.65	
42	4.42	1.59	4.35	1.62	4.61	1.64	4.75	1.66	4.90	1.67	5.22	1.69	5.57	1.71					
44	4.42	1.63	4.30	1.66	4.56	1.68	4.70	1.70	4.86	1.71	5.18	1.73	5.55	1.75					
46	4.42	1.67	4.24	1.70	4.52	1.72	4.67	1.74	4.82	1.75	5.16	1.77	5.53	1.79					
2000	5000	7000	135%	10	4.60	1.08	6.48	1.11	6.61	1.14	6.68	1.15	6.76	1.16	6.95	1.19	7.17	1.21	
				12	4.60	1.11	6.31	1.14	6.44	1.16	6.52	1.18	6.60	1.19	6.80	1.21	7.03	1.24	
				14	4.60	1.14	6.14	1.16	6.28	1.19	6.36	1.20	6.45	1.22	6.66	1.24	6.90	1.26	
				16	4.60	1.17	5.97	1.19	6.12	1.22	6.21	1.23	6.31	1.24	6.52	1.27	6.77	1.29	
				18	4.60	1.20	5.82	1.22	5.98	1.25	6.07	1.26	6.17	1.27	6.40	1.30	6.65	1.32	
				20	4.60	1.23	5.67	1.25	5.84	1.28	5.94	1.29	6.04	1.30	6.28	1.33	6.54	1.35	
				21	4.60	1.24	5.60	1.27	5.77	1.29	5.87	1.31	5.98	1.32	6.22	1.34	6.49	1.37	
				23	4.60	1.27	5.47	1.30	5.65	1.33	5.75	1.34	5.86	1.35	6.11	1.37	6.39	1.40	
				25	4.60	1.31	5.34	1.33	5.53	1.36	5.63	1.37	5.75	1.38	6.01	1.41	6.29	1.43	
				27	4.60	1.34	5.21	1.37	5.41	1.39	5.52	1.40	5.64	1.42	5.91	1.44	6.21	1.46	
				29	4.60	1.37	5.10	1.40	5.31	1.42	5.42	1.44	5.55	1.45	5.82	1.47	6.13	1.50	
				31	4.60	1.41	4.99	1.43	5.21	1.46	5.33	1.47	5.46	1.48	5.74	1.51	6.06	1.53	
				33	4.60	1.44	4.89	1.47	5.12	1.50	5.24	1.51	5.38	1.52	5.67	1.54	5.99	1.57	
				35	4.60	1.48	4.80	1.51	5.03	1.53	5.20	1.54	5.30	1.56	5.60	1.58	5.94	1.60	
				37	4.60	1.52	4.71	1.54	4.95	1.57	5.09	1.58	5.23	1.59	5.54	1.62	5.89	1.64	
				39	4.60	1.56	4.63	1.58	4.89	1.61	5.02	1.62	5.17	1.63	5.49	1.65	5.84	1.68	
42	4.60	1.61	4.53	1.64	4.79	1.67	4.94	1.68	5.09	1.69	5.43	1.71	5.79	1.73					
44	4.60	1.66	4.47	1.68	4.74	1.71	4.89	1.72	5.05	1.73	5.39	1.75	5.77	1.77					
46	4.60	1.70	4.41	1.72	4.70	1.75	4.85	1.76	5.02	1.77	5.37	1.79	5.75	1.81					

12. Capacity Table

Combination (Capacity Index)		Combination (Total)	Combination (%)	Outdoor Temperature (°C,DB)	Indoor Temperature(°C, WB)													
					14		16		18		19		20		22		24	
					TC(kW)	PI(kW)	TC(kW)	PI(kW)	TC(kW)	PI(kW)	TC(kW)	PI(kW)	TC(kW)	PI(kW)	TC(kW)	PI(kW)	TC(kW)	PI(kW)
2500	2500	5000	96%	10	4.42	1.09	6.23	1.12	6.35	1.14	6.42	1.16	6.50	1.17	6.68	1.19	6.90	1.22
				12	4.42	1.12	6.06	1.14	6.19	1.17	6.27	1.18	6.35	1.20	6.54	1.22	6.76	1.24
				14	4.42	1.14	5.90	1.17	6.04	1.20	6.12	1.21	6.20	1.22	6.40	1.25	6.63	1.27
				16	4.42	1.17	5.75	1.20	5.89	1.23	5.97	1.24	6.06	1.25	6.27	1.28	6.51	1.30
				18	4.42	1.20	5.60	1.23	5.75	1.26	5.84	1.27	5.93	1.28	6.15	1.31	6.40	1.33
				20	4.42	1.23	5.45	1.26	5.62	1.29	5.71	1.30	5.81	1.31	6.03	1.34	6.29	1.36
				21	4.42	1.25	5.39	1.28	5.55	1.30	5.65	1.32	5.75	1.33	5.98	1.35	6.24	1.38
				23	4.42	1.28	5.25	1.31	5.43	1.33	5.53	1.35	5.63	1.36	5.87	1.38	6.14	1.41
				25	4.42	1.31	5.13	1.34	5.31	1.37	5.42	1.38	5.53	1.39	5.77	1.42	6.05	1.44
				27	4.42	1.35	5.01	1.37	5.20	1.40	5.31	1.41	5.43	1.42	5.68	1.45	5.97	1.47
				29	4.42	1.38	4.90	1.41	5.10	1.43	5.21	1.45	5.33	1.46	5.60	1.48	5.89	1.51
				31	4.42	1.42	4.80	1.44	5.01	1.47	5.12	1.48	5.25	1.49	5.52	1.52	5.82	1.54
				33	4.42	1.45	4.70	1.48	4.92	1.50	5.04	1.52	5.17	1.53	5.45	1.55	5.76	1.58
				35	4.42	1.49	4.61	1.52	4.84	1.54	5.00	1.55	5.10	1.57	5.39	1.59	5.71	1.61
				37	4.42	1.53	4.53	1.55	4.76	1.58	4.89	1.59	5.03	1.60	5.33	1.63	5.66	1.65
				39	4.42	1.57	4.45	1.59	4.70	1.62	4.83	1.63	4.97	1.64	5.28	1.66	5.62	1.69
42	4.42	1.63	4.35	1.65	4.61	1.68	4.75	1.69	4.90	1.70	5.22	1.72	5.57	1.75				
44	4.42	1.67	4.30	1.69	4.56	1.72	4.70	1.73	4.86	1.74	5.18	1.76	5.55	1.79				
46	4.42	1.71	4.24	1.73	4.52	1.76	4.67	1.77	4.82	1.78	5.16	1.80	5.53	1.83				
2500	3500	6000	115%	10	4.42	1.06	6.23	1.09	6.35	1.11	6.42	1.13	6.50	1.14	6.68	1.16	6.90	1.19
				12	4.42	1.09	6.06	1.11	6.19	1.14	6.27	1.15	6.35	1.16	6.54	1.19	6.76	1.21
				14	4.42	1.11	5.90	1.14	6.04	1.17	6.12	1.18	6.20	1.19	6.40	1.22	6.63	1.24
				16	4.42	1.14	5.75	1.17	5.89	1.20	5.97	1.21	6.06	1.22	6.27	1.24	6.51	1.27
				18	4.42	1.17	5.60	1.20	5.75	1.22	5.84	1.24	5.93	1.25	6.15	1.27	6.40	1.30
				20	4.42	1.20	5.45	1.23	5.62	1.25	5.71	1.27	5.81	1.28	6.03	1.30	6.29	1.32
				21	4.42	1.22	5.39	1.24	5.55	1.27	5.65	1.28	5.75	1.29	5.98	1.32	6.24	1.34
				23	4.42	1.25	5.25	1.27	5.43	1.30	5.53	1.31	5.63	1.32	5.87	1.35	6.14	1.37
				25	4.42	1.28	5.13	1.31	5.31	1.33	5.42	1.34	5.53	1.36	5.77	1.38	6.05	1.40
				27	4.42	1.31	5.01	1.34	5.20	1.36	5.31	1.38	5.43	1.39	5.68	1.41	5.97	1.43
				29	4.42	1.35	4.90	1.37	5.10	1.40	5.21	1.41	5.33	1.42	5.60	1.44	5.89	1.47
				31	4.42	1.38	4.80	1.41	5.01	1.43	5.12	1.44	5.25	1.46	5.52	1.48	5.82	1.50
				33	4.42	1.42	4.70	1.44	4.92	1.47	5.04	1.48	5.17	1.49	5.45	1.51	5.76	1.53
				35	4.42	1.45	4.61	1.48	4.84	1.50	5.00	1.51	5.10	1.53	5.39	1.55	5.71	1.57
				37	4.42	1.49	4.53	1.51	4.76	1.54	4.89	1.55	5.03	1.56	5.33	1.58	5.66	1.61
				39	4.42	1.53	4.45	1.55	4.70	1.58	4.83	1.59	4.97	1.60	5.28	1.62	5.62	1.64
42	4.42	1.58	4.35	1.61	4.61	1.63	4.75	1.64	4.90	1.66	5.22	1.68	5.57	1.70				
44	4.42	1.62	4.30	1.65	4.56	1.67	4.70	1.68	4.86	1.70	5.18	1.72	5.55	1.74				
46	4.42	1.66	4.24	1.69	4.52	1.71	4.67	1.72	4.82	1.74	5.16	1.76	5.53	1.78				

12. Capacity Table

Combination (Capacity Index)			Combination (Total)	Combination (%)	Outdoor Temperature (°C, DB)	Indoor Temperature(°C, WB)													
						14		16		18		19		20		22		24	
						TC(kW)	PI(kW)	TC(kW)	PI(kW)	TC(kW)	PI(kW)	TC(kW)	PI(kW)	TC(kW)	PI(kW)	TC(kW)	PI(kW)	TC(kW)	PI(kW)
2500	5000		7500	144%	10	4.60	1.08	6.48	1.11	6.61	1.14	6.68	1.15	6.76	1.16	6.95	1.19	7.17	1.21
					12	4.60	1.11	6.31	1.14	6.44	1.16	6.52	1.18	6.60	1.19	6.80	1.21	7.03	1.24
					14	4.60	1.14	6.14	1.16	6.28	1.19	6.36	1.20	6.45	1.22	6.66	1.24	6.90	1.26
					16	4.60	1.17	5.97	1.19	6.12	1.22	6.21	1.23	6.31	1.24	6.52	1.27	6.77	1.29
					18	4.60	1.20	5.82	1.22	5.98	1.25	6.07	1.26	6.17	1.27	6.40	1.30	6.65	1.32
					20	4.60	1.23	5.67	1.25	5.84	1.28	5.94	1.29	6.04	1.30	6.28	1.33	6.54	1.35
					21	4.60	1.24	5.60	1.27	5.77	1.29	5.87	1.31	5.98	1.32	6.22	1.34	6.49	1.37
					23	4.60	1.27	5.47	1.30	5.65	1.33	5.75	1.34	5.86	1.35	6.11	1.37	6.39	1.40
					25	4.60	1.31	5.34	1.33	5.53	1.36	5.63	1.37	5.75	1.38	6.01	1.41	6.29	1.43
					27	4.60	1.34	5.21	1.37	5.41	1.39	5.52	1.40	5.64	1.42	5.91	1.44	6.21	1.46
					29	4.60	1.37	5.10	1.40	5.31	1.42	5.42	1.44	5.55	1.45	5.82	1.47	6.13	1.50
					31	4.60	1.41	4.99	1.43	5.21	1.46	5.33	1.47	5.46	1.48	5.74	1.51	6.06	1.53
					33	4.60	1.44	4.89	1.47	5.12	1.50	5.24	1.51	5.38	1.52	5.67	1.54	5.99	1.57
					35	4.60	1.48	4.80	1.51	5.03	1.53	5.20	1.54	5.30	1.56	5.60	1.58	5.94	1.60
					37	4.60	1.52	4.71	1.54	4.95	1.57	5.09	1.58	5.23	1.59	5.54	1.62	5.89	1.64
					39	4.60	1.56	4.63	1.58	4.89	1.61	5.02	1.62	5.17	1.63	5.49	1.65	5.84	1.68
42	4.60	1.61	4.53	1.64	4.79	1.67	4.94	1.68	5.09	1.69	5.43	1.71	5.79	1.73					
44	4.60	1.66	4.47	1.68	4.74	1.71	4.89	1.72	5.05	1.73	5.39	1.75	5.77	1.77					
46	4.60	1.70	4.41	1.72	4.70	1.75	4.85	1.76	5.02	1.77	5.37	1.79	5.75	1.81					
3500	3500		7000	135%	10	4.60	1.08	6.48	1.11	6.61	1.14	6.68	1.15	6.76	1.16	6.95	1.19	7.17	1.21
					12	4.60	1.11	6.31	1.14	6.44	1.16	6.52	1.18	6.60	1.19	6.80	1.21	7.03	1.24
					14	4.60	1.14	6.14	1.16	6.28	1.19	6.36	1.20	6.45	1.22	6.66	1.24	6.90	1.26
					16	4.60	1.17	5.97	1.19	6.12	1.22	6.21	1.23	6.31	1.24	6.52	1.27	6.77	1.29
					18	4.60	1.20	5.82	1.22	5.98	1.25	6.07	1.26	6.17	1.27	6.40	1.30	6.65	1.32
					20	4.60	1.23	5.67	1.25	5.84	1.28	5.94	1.29	6.04	1.30	6.28	1.33	6.54	1.35
					21	4.60	1.24	5.60	1.27	5.77	1.29	5.87	1.31	5.98	1.32	6.22	1.34	6.49	1.37
					23	4.60	1.27	5.47	1.30	5.65	1.33	5.75	1.34	5.86	1.35	6.11	1.37	6.39	1.40
					25	4.60	1.31	5.34	1.33	5.53	1.36	5.63	1.37	5.75	1.38	6.01	1.41	6.29	1.43
					27	4.60	1.34	5.21	1.37	5.41	1.39	5.52	1.40	5.64	1.42	5.91	1.44	6.21	1.46
					29	4.60	1.37	5.10	1.40	5.31	1.42	5.42	1.44	5.55	1.45	5.82	1.47	6.13	1.50
					31	4.60	1.41	4.99	1.43	5.21	1.46	5.33	1.47	5.46	1.48	5.74	1.51	6.06	1.53
					33	4.60	1.44	4.89	1.47	5.12	1.50	5.24	1.51	5.38	1.52	5.67	1.54	5.99	1.57
					35	4.60	1.48	4.80	1.51	5.03	1.53	5.20	1.54	5.30	1.56	5.60	1.58	5.94	1.60
					37	4.60	1.52	4.71	1.54	4.95	1.57	5.09	1.58	5.23	1.59	5.54	1.62	5.89	1.64
					39	4.60	1.56	4.63	1.58	4.89	1.61	5.02	1.62	5.17	1.63	5.49	1.65	5.84	1.68
42	4.60	1.61	4.53	1.64	4.79	1.67	4.94	1.68	5.09	1.69	5.43	1.71	5.79	1.73					
44	4.60	1.66	4.47	1.68	4.74	1.71	4.89	1.72	5.05	1.73	5.39	1.75	5.77	1.77					
46	4.60	1.70	4.41	1.72	4.70	1.75	4.85	1.76	5.02	1.77	5.37	1.79	5.75	1.81					

12. Capacity Table

Combination (Capacity Index)			Combination (Total)	Combination (%)	Outdoor Temperature (°C,DB)	Indoor Temperature(°C, WB)													
						14		16		18		19		20		22		24	
						TC(kW)	PI(kW)	TC(kW)	PI(kW)	TC(kW)	PI(kW)	TC(kW)	PI(kW)	TC(kW)	PI(kW)	TC(kW)	PI(kW)	TC(kW)	PI(kW)
2000	2000	2000	6000	115%	10	4.60	1.05	6.48	1.08	6.61	1.11	6.68	1.12	6.76	1.13	6.95	1.16	7.17	1.18
					12	4.60	1.08	6.31	1.11	6.44	1.13	6.52	1.14	6.60	1.16	6.80	1.18	7.03	1.20
					14	4.60	1.11	6.14	1.13	6.28	1.16	6.36	1.17	6.45	1.18	6.66	1.21	6.90	1.23
					16	4.60	1.14	5.97	1.16	6.12	1.19	6.21	1.20	6.31	1.21	6.52	1.24	6.77	1.26
					18	4.60	1.16	5.82	1.19	5.98	1.22	6.07	1.23	6.17	1.24	6.40	1.26	6.65	1.29
					20	4.60	1.19	5.67	1.22	5.84	1.25	5.94	1.26	6.04	1.27	6.28	1.29	6.54	1.32
					21	4.60	1.21	5.60	1.24	5.77	1.26	5.87	1.27	5.98	1.28	6.22	1.31	6.49	1.33
					23	4.60	1.24	5.47	1.27	5.65	1.29	5.75	1.30	5.86	1.32	6.11	1.34	6.39	1.36
					25	4.60	1.27	5.34	1.30	5.53	1.32	5.63	1.33	5.75	1.35	6.01	1.37	6.29	1.39
					27	4.60	1.30	5.21	1.33	5.41	1.35	5.52	1.37	5.64	1.38	5.91	1.40	6.21	1.42
					29	4.60	1.34	5.10	1.36	5.31	1.39	5.42	1.40	5.55	1.41	5.82	1.43	6.13	1.46
					31	4.60	1.37	4.99	1.40	5.21	1.42	5.33	1.43	5.46	1.45	5.74	1.47	6.06	1.49
					33	4.60	1.41	4.89	1.43	5.12	1.46	5.24	1.47	5.38	1.48	5.67	1.50	5.99	1.52
					35	4.60	1.44	4.80	1.47	5.03	1.49	5.20	1.50	5.30	1.52	5.60	1.54	5.94	1.56
					37	4.60	1.48	4.71	1.50	4.95	1.53	5.09	1.54	5.23	1.55	5.54	1.57	5.89	1.60
					39	4.60	1.52	4.63	1.54	4.89	1.56	5.02	1.58	5.17	1.59	5.49	1.61	5.84	1.63
42	4.60	1.57	4.53	1.60	4.79	1.62	4.94	1.63	5.09	1.65	5.43	1.67	5.79	1.69					
44	4.60	1.61	4.47	1.64	4.74	1.66	4.89	1.67	5.05	1.68	5.39	1.71	5.77	1.73					
46	4.60	1.65	4.41	1.68	4.70	1.70	4.85	1.71	5.02	1.72	5.37	1.75	5.75	1.77					
2000	2000	2500	6500	125%	10	4.60	1.07	6.48	1.10	6.61	1.13	6.68	1.14	6.76	1.15	6.95	1.18	7.17	1.20
					12	4.60	1.10	6.31	1.13	6.44	1.16	6.52	1.17	6.60	1.18	6.80	1.20	7.03	1.23
					14	4.60	1.13	6.14	1.16	6.28	1.18	6.36	1.20	6.45	1.21	6.66	1.23	6.90	1.26
					16	4.60	1.16	5.97	1.19	6.12	1.21	6.21	1.22	6.31	1.24	6.52	1.26	6.77	1.28
					18	4.60	1.19	5.82	1.21	5.98	1.24	6.07	1.25	6.17	1.27	6.40	1.29	6.65	1.31
					20	4.60	1.22	5.67	1.24	5.84	1.27	5.94	1.28	6.04	1.30	6.28	1.32	6.54	1.34
					21	4.60	1.23	5.60	1.26	5.77	1.29	5.87	1.30	5.98	1.31	6.22	1.33	6.49	1.36
					23	4.60	1.26	5.47	1.29	5.65	1.32	5.75	1.33	5.86	1.34	6.11	1.37	6.39	1.39
					25	4.60	1.30	5.34	1.32	5.53	1.35	5.63	1.36	5.75	1.37	6.01	1.40	6.29	1.42
					27	4.60	1.33	5.21	1.36	5.41	1.38	5.52	1.39	5.64	1.41	5.91	1.43	6.21	1.45
					29	4.60	1.36	5.10	1.39	5.31	1.42	5.42	1.43	5.55	1.44	5.82	1.46	6.13	1.49
					31	4.60	1.40	4.99	1.42	5.21	1.45	5.33	1.46	5.46	1.47	5.74	1.50	6.06	1.52
					33	4.60	1.43	4.89	1.46	5.12	1.49	5.24	1.50	5.38	1.51	5.67	1.53	5.99	1.56
					35	4.60	1.47	4.80	1.50	5.03	1.52	5.20	1.53	5.30	1.55	5.60	1.57	5.94	1.59
					37	4.60	1.51	4.71	1.53	4.95	1.56	5.09	1.57	5.23	1.58	5.54	1.61	5.89	1.63
					39	4.60	1.55	4.63	1.57	4.89	1.60	5.02	1.61	5.17	1.62	5.49	1.64	5.84	1.67
42	4.60	1.60	4.53	1.63	4.79	1.65	4.94	1.67	5.09	1.68	5.43	1.70	5.79	1.72					
44	4.60	1.64	4.47	1.67	4.74	1.69	4.89	1.71	5.05	1.72	5.39	1.74	5.77	1.76					
46	4.60	1.69	4.41	1.71	4.70	1.73	4.85	1.75	5.02	1.76	5.37	1.78	5.75	1.80					

12. Capacity Table

Combination (Capacity Index)			Combination (Total)	Combination (%)	Outdoor Temperature (°C, DB)	Indoor Temperature(°C, WB)													
						14		16		18		19		20		22		24	
						TC(kW)	PI(kW)	TC(kW)	PI(kW)	TC(kW)	PI(kW)	TC(kW)	PI(kW)	TC(kW)	PI(kW)	TC(kW)	PI(kW)	TC(kW)	PI(kW)
2000	2000	3500	7500	144%	10	4.60	1.00	6.48	1.02	6.61	1.05	6.68	1.06	6.76	1.07	6.95	1.09	7.17	1.12
					12	4.60	1.02	6.31	1.05	6.44	1.07	6.52	1.08	6.60	1.10	6.80	1.12	7.03	1.14
					14	4.60	1.05	6.14	1.07	6.28	1.10	6.36	1.11	6.45	1.12	6.66	1.14	6.90	1.17
					16	4.60	1.07	5.97	1.10	6.12	1.12	6.21	1.14	6.31	1.15	6.52	1.17	6.77	1.19
					18	4.60	1.10	5.82	1.13	5.98	1.15	6.07	1.16	6.17	1.17	6.40	1.20	6.65	1.22
					20	4.60	1.13	5.67	1.16	5.84	1.18	5.94	1.19	6.04	1.20	6.28	1.22	6.54	1.25
					21	4.60	1.14	5.60	1.17	5.77	1.19	5.87	1.20	5.98	1.22	6.22	1.24	6.49	1.26
					23	4.60	1.17	5.47	1.20	5.65	1.22	5.75	1.23	5.86	1.25	6.11	1.27	6.39	1.29
					25	4.60	1.20	5.34	1.23	5.53	1.25	5.63	1.26	5.75	1.27	6.01	1.30	6.29	1.32
					27	4.60	1.23	5.21	1.26	5.41	1.28	5.52	1.29	5.64	1.31	5.91	1.33	6.21	1.35
					29	4.60	1.27	5.10	1.29	5.31	1.31	5.42	1.33	5.55	1.34	5.82	1.36	6.13	1.38
					31	4.60	1.30	4.99	1.32	5.21	1.35	5.33	1.36	5.46	1.37	5.74	1.39	6.06	1.41
					33	4.60	1.33	4.89	1.36	5.12	1.38	5.24	1.39	5.38	1.40	5.67	1.42	5.99	1.44
					35	4.60	1.36	4.80	1.39	5.03	1.41	5.20	1.42	5.30	1.43	5.60	1.46	5.94	1.48
					37	4.60	1.40	4.71	1.42	4.95	1.45	5.09	1.46	5.23	1.47	5.54	1.49	5.89	1.51
					39	4.60	1.43	4.63	1.46	4.89	1.48	5.02	1.49	5.17	1.50	5.49	1.52	5.84	1.55
42	4.60	1.49	4.53	1.51	4.79	1.54	4.94	1.55	5.09	1.56	5.43	1.58	5.79	1.60					
44	4.60	1.53	4.47	1.55	4.74	1.57	4.89	1.58	5.05	1.59	5.39	1.62	5.77	1.64					
46	4.60	1.56	4.41	1.59	4.70	1.61	4.85	1.62	5.02	1.63	5.37	1.65	5.75	1.67					
2000	2500	2500	7000	135%	10	4.60	0.98	6.48	1.00	6.61	1.03	6.68	1.04	6.76	1.05	6.95	1.07	7.17	1.09
					12	4.60	1.00	6.31	1.03	6.44	1.05	6.52	1.06	6.60	1.07	6.80	1.09	7.03	1.12
					14	4.60	1.03	6.14	1.05	6.28	1.07	6.36	1.09	6.45	1.10	6.66	1.12	6.90	1.14
					16	4.60	1.05	5.97	1.08	6.12	1.10	6.21	1.11	6.31	1.12	6.52	1.15	6.77	1.17
					18	4.60	1.08	5.82	1.10	5.98	1.13	6.07	1.14	6.17	1.15	6.40	1.17	6.65	1.19
					20	4.60	1.11	5.67	1.13	5.84	1.15	5.94	1.17	6.04	1.18	6.28	1.20	6.54	1.22
					21	4.60	1.12	5.60	1.14	5.77	1.17	5.87	1.18	5.98	1.19	6.22	1.21	6.49	1.23
					23	4.60	1.15	5.47	1.17	5.65	1.20	5.75	1.21	5.86	1.22	6.11	1.24	6.39	1.26
					25	4.60	1.18	5.34	1.20	5.53	1.23	5.63	1.24	5.75	1.25	6.01	1.27	6.29	1.29
					27	4.60	1.21	5.21	1.23	5.41	1.26	5.52	1.27	5.64	1.28	5.91	1.30	6.21	1.32
					29	4.60	1.24	5.10	1.26	5.31	1.29	5.42	1.30	5.55	1.31	5.82	1.33	6.13	1.35
					31	4.60	1.27	4.99	1.29	5.21	1.32	5.33	1.33	5.46	1.34	5.74	1.36	6.06	1.38
					33	4.60	1.30	4.89	1.33	5.12	1.35	5.24	1.36	5.38	1.37	5.67	1.39	5.99	1.41
					35	4.60	1.34	4.80	1.36	5.03	1.38	5.20	1.39	5.30	1.40	5.60	1.43	5.94	1.45
					37	4.60	1.37	4.71	1.39	4.95	1.42	5.09	1.43	5.23	1.44	5.54	1.46	5.89	1.48
					39	4.60	1.40	4.63	1.43	4.89	1.45	5.02	1.46	5.17	1.47	5.49	1.49	5.84	1.51
42	4.60	1.46	4.53	1.48	4.79	1.50	4.94	1.51	5.09	1.52	5.43	1.55	5.79	1.57					
44	4.60	1.49	4.47	1.52	4.74	1.54	4.89	1.55	5.05	1.56	5.39	1.58	5.77	1.60					
46	4.60	1.53	4.41	1.55	4.70	1.58	4.85	1.59	5.02	1.60	5.37	1.62	5.75	1.64					

12. Capacity Table

Combination (Capacity Index)			Combination (Total)	Combination (%)	Outdoor Temperature (°C,DB)	Indoor Temperature(°C, WB)													
						14		16		18		19		20		22		24	
						TC(kW)	PI(kW)	TC(kW)	PI(kW)	TC(kW)	PI(kW)	TC(kW)	PI(kW)	TC(kW)	PI(kW)	TC(kW)	PI(kW)	TC(kW)	PI(kW)
2000	2500	3500	8000	154%	10	5.85	1.00	6.08	1.02	6.31	1.04	6.43	1.05	6.55	1.06	6.79	1.08	7.03	1.10
					12	5.75	1.02	5.98	1.04	6.21	1.07	6.33	1.08	6.45	1.09	6.69	1.11	6.93	1.13
					14	5.64	1.05	5.87	1.07	6.11	1.09	6.23	1.10	6.35	1.11	6.59	1.14	6.83	1.16
					16	5.54	1.08	5.77	1.10	6.01	1.12	6.13	1.13	6.25	1.14	6.49	1.16	6.73	1.19
					18	5.44	1.11	5.67	1.13	5.91	1.15	6.03	1.16	6.15	1.17	6.39	1.19	6.63	1.22
					20	5.34	1.13	5.57	1.16	5.81	1.18	5.93	1.19	6.05	1.20	6.29	1.22	6.54	1.24
					21	5.29	1.15	5.52	1.17	5.76	1.19	5.88	1.20	6.00	1.22	6.24	1.24	6.49	1.26
					23	5.19	1.18	5.42	1.20	5.66	1.22	5.78	1.23	5.90	1.25	6.14	1.27	6.39	1.29
					25	5.09	1.21	5.32	1.23	5.56	1.25	5.68	1.26	5.80	1.28	6.04	1.30	6.29	1.32
					27	4.99	1.24	5.23	1.26	5.46	1.28	5.58	1.30	5.70	1.31	5.95	1.33	6.19	1.35
					29	4.89	1.27	5.13	1.29	5.36	1.32	5.48	1.33	5.60	1.34	5.85	1.36	6.10	1.38
					31	4.79	1.30	5.03	1.32	5.27	1.35	5.39	1.36	5.51	1.37	5.75	1.39	6.00	1.41
					33	4.69	1.33	4.93	1.36	5.17	1.38	5.29	1.39	5.41	1.40	5.65	1.42	5.90	1.45
					35	4.60	1.37	4.83	1.39	5.07	1.41	5.20	1.42	5.31	1.43	5.56	1.46	5.81	1.48
					37	4.50	1.40	4.73	1.42	4.97	1.44	5.09	1.46	5.22	1.47	5.46	1.49	5.71	1.51
39	4.40	1.43	4.64	1.46	4.88	1.48	5.00	1.49	5.12	1.50	5.36	1.52	5.61	1.55					
42	4.25	1.48	4.49	1.51	4.73	1.53	4.85	1.54	4.97	1.55	5.22	1.58	5.47	1.60					
44	4.16	1.52	4.39	1.54	4.63	1.56	4.76	1.58	4.88	1.59	5.13	1.61	5.38	1.64					
46	4.06	1.55	4.30	1.58	4.54	1.60	4.66	1.61	4.78	1.62	5.03	1.65	5.28	1.67					
2500	2500	2500	7500	144%	10	5.85	1.12	6.08	1.15	6.31	1.17	6.43	1.18	6.55	1.19	6.79	1.22	7.03	1.24
					12	5.75	1.15	5.98	1.18	6.21	1.20	6.33	1.21	6.45	1.22	6.69	1.25	6.93	1.27
					14	5.64	1.18	5.87	1.21	6.11	1.23	6.23	1.24	6.35	1.26	6.59	1.28	6.83	1.30
					16	5.54	1.21	5.77	1.24	6.01	1.26	6.13	1.28	6.25	1.29	6.49	1.31	6.73	1.34
					18	5.44	1.25	5.67	1.27	5.91	1.30	6.03	1.31	6.15	1.32	6.39	1.34	6.63	1.37
					20	5.34	1.28	5.57	1.30	5.81	1.33	5.93	1.34	6.05	1.35	6.29	1.38	6.54	1.40
					21	5.29	1.29	5.52	1.32	5.76	1.34	5.88	1.36	6.00	1.37	6.24	1.39	6.49	1.42
					23	5.19	1.33	5.42	1.35	5.66	1.38	5.78	1.39	5.90	1.40	6.14	1.43	6.39	1.45
					25	5.09	1.36	5.32	1.39	5.56	1.41	5.68	1.42	5.80	1.44	6.04	1.46	6.29	1.49
					27	4.99	1.40	5.23	1.42	5.46	1.45	5.58	1.46	5.70	1.47	5.95	1.50	6.19	1.52
					29	4.89	1.43	5.13	1.46	5.36	1.48	5.48	1.49	5.60	1.51	5.85	1.53	6.10	1.56
					31	4.79	1.47	5.03	1.49	5.27	1.52	5.39	1.53	5.51	1.54	5.75	1.57	6.00	1.59
					33	4.69	1.50	4.93	1.53	5.17	1.55	5.29	1.57	5.41	1.58	5.65	1.61	5.90	1.63
					35	4.60	1.54	4.83	1.56	5.07	1.59	5.20	1.60	5.31	1.62	5.56	1.64	5.81	1.67
					37	4.50	1.58	4.73	1.60	4.97	1.63	5.09	1.64	5.22	1.65	5.46	1.68	5.71	1.71
39	4.40	1.61	4.64	1.64	4.88	1.67	5.00	1.68	5.12	1.69	5.36	1.72	5.61	1.74					
42	4.25	1.67	4.49	1.70	4.73	1.72	4.85	1.74	4.97	1.75	5.22	1.78	5.47	1.80					
44	4.16	1.71	4.39	1.74	4.63	1.76	4.76	1.78	4.88	1.79	5.13	1.82	5.38	1.84					
46	4.06	1.75	4.30	1.78	4.54	1.80	4.66	1.82	4.78	1.83	5.03	1.86	5.28	1.88					

12. Capacity Table

Combination (Capacity Index)			Combination (Total)	Combination (%)	Outdoor Temperature (°C,DB)	Indoor Temperature(°C, WB)													
						14		16		18		19		20		22		24	
						TC(kW)	PI(kW)	TC(kW)	PI(kW)	TC(kW)	PI(kW)	TC(kW)	PI(kW)	TC(kW)	PI(kW)	TC(kW)	PI(kW)	TC(kW)	PI(kW)
2500	2500	3500	8500	163%	10	5.85	1.12	6.08	1.15	6.31	1.17	6.43	1.18	6.55	1.19	6.79	1.22	7.03	1.24
					12	5.75	1.15	5.98	1.18	6.21	1.20	6.33	1.21	6.45	1.22	6.69	1.25	6.93	1.27
					14	5.64	1.18	5.87	1.21	6.11	1.23	6.23	1.24	6.35	1.26	6.59	1.28	6.83	1.30
					16	5.54	1.21	5.77	1.24	6.01	1.26	6.13	1.28	6.25	1.29	6.49	1.31	6.73	1.34
					18	5.44	1.25	5.67	1.27	5.91	1.30	6.03	1.31	6.15	1.32	6.39	1.34	6.63	1.37
					20	5.34	1.28	5.57	1.30	5.81	1.33	5.93	1.34	6.05	1.35	6.29	1.38	6.54	1.40
					21	5.29	1.29	5.52	1.32	5.76	1.34	5.88	1.36	6.00	1.37	6.24	1.39	6.49	1.42
					23	5.19	1.33	5.42	1.35	5.66	1.38	5.78	1.39	5.90	1.40	6.14	1.43	6.39	1.45
					25	5.09	1.36	5.32	1.39	5.56	1.41	5.68	1.42	5.80	1.44	6.04	1.46	6.29	1.49
					27	4.99	1.40	5.23	1.42	5.46	1.45	5.58	1.46	5.70	1.47	5.95	1.50	6.19	1.52
					29	4.89	1.43	5.13	1.46	5.36	1.48	5.48	1.49	5.60	1.51	5.85	1.53	6.10	1.56
					31	4.79	1.47	5.03	1.49	5.27	1.52	5.39	1.53	5.51	1.54	5.75	1.57	6.00	1.59
					33	4.69	1.50	4.93	1.53	5.17	1.55	5.29	1.57	5.41	1.58	5.65	1.61	5.90	1.63
					35	4.60	1.54	4.83	1.56	5.07	1.59	5.20	1.60	5.31	1.62	5.56	1.64	5.81	1.67
					37	4.50	1.58	4.73	1.60	4.97	1.63	5.09	1.64	5.22	1.65	5.46	1.68	5.71	1.71
					39	4.40	1.61	4.64	1.64	4.88	1.67	5.00	1.68	5.12	1.69	5.36	1.72	5.61	1.74
42	4.25	1.67	4.49	1.70	4.73	1.72	4.85	1.74	4.97	1.75	5.22	1.78	5.47	1.80					
44	4.16	1.71	4.39	1.74	4.63	1.76	4.76	1.78	4.88	1.79	5.13	1.82	5.38	1.84					
46	4.06	1.75	4.30	1.78	4.54	1.80	4.66	1.82	4.78	1.83	5.03	1.86	5.28	1.88					

NOTE

- Cooling capacity is based on 27°CDB / 19°CWB (indoor temperature), 35°CDB (outdoor temperature).
- Heating capacity is based on 20°CDB (indoor temperature), 7°CDB/6°CWB (outdoor temperature).
- The above is the value for connecting with the following indoor units.
 - 2000, 2500, 3500, 5000W class: Wall Mounted A3050 Series [only for AR**MXWSAWKNEU]
- Capacities are based on the following conditions:
 - Corresponding refrigerant piping length : 5m / - Level difference : 0m
- The total ability of connected a indoor unit is up to 7.5kW
- It is impossible to connect the indoor unit for one room only.
- This data is reference data for temperature capacity trend.

12. Capacity Table

12-3. AJ052RCJ3EG/EU

Heating

Combination (Capacity Index)			Combination (Total)	Combination (%)	Outdoor Temperature (°C,DB)	Indoor Temperature(°C, DB)													
						14		16		18		20		21		22		24	
						TC(kW)	PI(kW)	TC(kW)	PI(kW)	TC(kW)	PI(kW)	TC(kW)	PI(kW)	TC(kW)	PI(kW)	TC(kW)	PI(kW)	TC(kW)	PI(kW)
2000		2000	38%	-15	1.26	0.72	1.22	0.73	1.18	0.74	1.17	0.75	1.15	0.75	1.13	0.76	1.11	0.77	
				-10	1.51	0.76	1.47	0.77	1.43	0.78	1.41	0.79	1.40	0.79	1.37	0.80	1.34	0.81	
				-5	1.76	0.80	1.71	0.81	1.67	0.82	1.66	0.83	1.64	0.83	1.61	0.84	1.58	0.85	
				0	2.01	0.84	1.96	0.85	1.92	0.86	1.90	0.87	1.88	0.87	1.85	0.88	1.82	0.89	
				2	2.11	0.85	2.06	0.86	2.02	0.88	2.00	0.88	1.98	0.89	1.95	0.89	1.92	0.90	
				7	2.31	0.88	2.26	0.89	2.21	0.91	2.20	0.91	2.17	0.92	2.14	0.93	2.11	0.93	
				10	2.51	0.91	2.46	0.92	2.41	0.94	2.39	0.94	2.37	0.95	2.33	0.96	2.30	0.97	
				15	2.76	0.95	2.71	0.96	2.66	0.97	2.64	0.98	2.61	0.99	2.57	1.00	2.54	1.01	
2500		2500	48%	-15	1.89	0.91	1.83	0.93	1.78	0.94	1.75	0.95	1.73	0.95	1.69	0.96	1.66	0.97	
				-10	2.26	0.96	2.20	0.98	2.14	0.99	2.12	1.00	2.09	1.00	2.05	1.01	2.02	1.02	
				-5	2.64	1.01	2.57	1.02	2.51	1.04	2.48	1.04	2.46	1.05	2.41	1.06	2.37	1.07	
				0	3.01	1.06	2.94	1.07	2.88	1.09	2.85	1.09	2.82	1.10	2.77	1.11	2.73	1.12	
				2	3.16	1.08	3.09	1.09	3.03	1.11	3.00	1.11	2.97	1.12	2.92	1.13	2.87	1.14	
				7	3.46	1.11	3.39	1.13	3.32	1.14	3.30	1.15	3.26	1.16	3.21	1.17	3.16	1.18	
				10	3.76	1.15	3.69	1.17	3.62	1.18	3.59	1.19	3.55	1.20	3.50	1.21	3.45	1.22	
				15	4.14	1.20	4.06	1.21	3.99	1.23	3.95	1.24	3.92	1.25	3.86	1.26	3.81	1.27	
3500		3500	67%	-15	2.29	1.07	2.22	1.09	2.15	1.10	2.13	1.11	2.10	1.12	2.05	1.13	2.01	1.14	
				-10	2.74	1.13	2.67	1.15	2.60	1.16	2.57	1.17	2.54	1.17	2.49	1.19	2.44	1.20	
				-5	3.20	1.19	3.12	1.20	3.04	1.22	3.01	1.23	2.98	1.23	2.92	1.25	2.88	1.26	
				0	3.65	1.24	3.57	1.26	3.49	1.28	3.46	1.28	3.42	1.29	3.36	1.30	3.31	1.32	
				2	3.83	1.26	3.75	1.28	3.67	1.30	3.63	1.31	3.60	1.31	3.54	1.33	3.48	1.34	
				7	4.20	1.31	4.11	1.33	4.03	1.34	4.00	1.35	3.95	1.36	3.89	1.37	3.83	1.39	
				10	4.56	1.35	4.47	1.37	4.38	1.39	4.35	1.40	4.31	1.41	4.24	1.42	4.18	1.43	
				15	5.02	1.40	4.92	1.43	4.83	1.44	4.79	1.45	4.75	1.46	4.68	1.48	4.62	1.49	
5000		5000	96%	-15	3.21	1.45	3.11	1.47	3.02	1.49	2.98	1.50	2.94	1.50	2.87	1.52	2.82	1.53	
				-10	3.84	1.52	3.73	1.55	3.64	1.57	3.60	1.57	3.55	1.58	3.48	1.60	3.42	1.61	
				-5	4.48	1.60	4.36	1.62	4.26	1.64	4.22	1.65	4.17	1.66	4.09	1.68	4.03	1.69	
				0	5.11	1.67	4.99	1.70	4.89	1.72	4.84	1.73	4.79	1.74	4.71	1.76	4.63	1.77	
				2	5.37	1.70	5.25	1.73	5.14	1.75	5.09	1.76	5.04	1.77	4.95	1.79	4.88	1.81	
				7	5.88	1.76	5.75	1.79	5.64	1.81	5.60	1.82	5.54	1.83	5.44	1.85	5.36	1.87	
				10	6.39	1.82	6.26	1.85	6.14	1.87	6.08	1.88	6.03	1.89	5.94	1.92	5.85	1.93	
				15	7.03	1.89	6.89	1.92	6.77	1.95	6.71	1.96	6.65	1.97	6.55	1.99	6.46	2.01	
2000	2000	4000	77%	-15	2.52	0.97	2.44	0.98	2.37	1.00	2.34	1.00	2.31	1.01	2.26	1.02	2.21	1.03	
				-10	3.02	1.02	2.93	1.04	2.86	1.05	2.82	1.06	2.79	1.06	2.74	1.07	2.69	1.08	
				-5	3.52	1.07	3.43	1.09	3.35	1.10	3.31	1.11	3.28	1.11	3.22	1.13	3.16	1.14	
				0	4.02	1.12	3.92	1.14	3.84	1.15	3.80	1.16	3.76	1.17	3.70	1.18	3.64	1.19	
				2	4.22	1.14	4.12	1.16	4.04	1.17	4.00	1.18	3.96	1.19	3.89	1.20	3.83	1.21	
				7	4.62	1.18	4.52	1.20	4.43	1.21	4.40	1.22	4.35	1.23	4.28	1.24	4.21	1.25	
				10	5.02	1.22	4.92	1.24	4.82	1.25	4.78	1.26	4.74	1.27	4.66	1.28	4.60	1.30	
				15	5.52	1.27	5.41	1.29	5.32	1.31	5.27	1.31	5.23	1.32	5.15	1.34	5.08	1.35	

12. Capacity Table

Combination (Capacity Index)			Combination (Total)	Combination (%)	Outdoor Temperature (°C,DB)	Indoor Temperature(°C, DB)													
						14		16		18		20		21		22		24	
						TC(kW)	PI(kW)	TC(kW)	PI(kW)	TC(kW)	PI(kW)	TC(kW)	PI(kW)	TC(kW)	PI(kW)	TC(kW)	PI(kW)	TC(kW)	PI(kW)
3500	3500	7000	135%	-15	3.38	1.30	3.27	1.32	3.18	1.33	3.14	1.34	3.10	1.35	3.03	1.36	2.97	1.37	
				-10	4.05	1.36	3.93	1.38	3.83	1.40	3.79	1.41	3.75	1.42	3.67	1.43	3.60	1.44	
				-5	4.72	1.43	4.60	1.45	4.49	1.47	4.44	1.48	4.40	1.49	4.31	1.50	4.24	1.52	
				0	5.39	1.50	5.26	1.52	5.15	1.54	5.10	1.55	5.05	1.56	4.96	1.57	4.88	1.59	
				2	5.65	1.52	5.53	1.55	5.41	1.57	5.36	1.58	5.31	1.59	5.22	1.60	5.14	1.62	
				7	6.19	1.58	6.06	1.60	5.94	1.62	5.90	1.63	5.83	1.64	5.74	1.66	5.65	1.67	
				10	6.73	1.63	6.59	1.65	6.47	1.68	6.41	1.69	6.35	1.70	6.25	1.72	6.16	1.73	
				15	7.40	1.70	7.26	1.72	7.13	1.74	7.07	1.75	7.01	1.77	6.90	1.78	6.81	1.80	
2000	2000	2000	6000	115%	-15	3.32	1.26	3.22	1.28	3.12	1.30	3.08	1.31	3.04	1.31	2.97	1.33	2.92	1.34
					-10	3.98	1.33	3.87	1.35	3.77	1.37	3.72	1.38	3.68	1.38	3.61	1.40	3.54	1.41
					-5	4.64	1.40	4.52	1.42	4.41	1.44	4.37	1.44	4.32	1.45	4.24	1.47	4.17	1.48
					0	5.29	1.46	5.17	1.48	5.06	1.50	5.01	1.51	4.96	1.52	4.88	1.54	4.80	1.55
					2	5.56	1.49	5.43	1.51	5.32	1.53	5.27	1.54	5.22	1.55	5.13	1.56	5.05	1.58
					7	6.09	1.54	5.96	1.56	5.84	1.58	5.80	1.59	5.73	1.60	5.64	1.62	5.56	1.63
					10	6.62	1.59	6.48	1.61	6.36	1.64	6.30	1.65	6.25	1.66	6.15	1.67	6.06	1.69
					15	7.28	1.65	7.14	1.68	7.01	1.70	6.95	1.71	6.89	1.72	6.79	1.74	6.69	1.76
2000	2000	2500	6500	125%	-15	3.38	1.31	3.27	1.33	3.18	1.35	3.14	1.36	3.10	1.36	3.03	1.38	2.97	1.39
					-10	4.05	1.38	3.93	1.40	3.83	1.42	3.79	1.43	3.75	1.44	3.67	1.45	3.60	1.46
					-5	4.72	1.45	4.60	1.47	4.49	1.49	4.44	1.50	4.40	1.51	4.31	1.52	4.24	1.54
					0	5.39	1.52	5.26	1.54	5.15	1.56	5.10	1.57	5.05	1.58	4.96	1.59	4.88	1.61
					2	5.65	1.54	5.53	1.57	5.41	1.59	5.36	1.60	5.31	1.61	5.22	1.62	5.14	1.64
					7	6.19	1.60	6.06	1.62	5.94	1.64	5.90	1.65	5.83	1.66	5.74	1.68	5.65	1.70
					10	6.73	1.65	6.59	1.67	6.47	1.70	6.41	1.71	6.35	1.72	6.25	1.74	6.16	1.75
					15	7.40	1.72	7.26	1.74	7.13	1.77	7.07	1.78	7.01	1.79	6.90	1.81	6.81	1.82
2000	2000	3500	7500	144%	-15	3.61	1.32	3.49	1.34	3.39	1.36	3.35	1.36	3.31	1.37	3.23	1.39	3.17	1.40
					-10	4.32	1.39	4.20	1.41	4.09	1.43	4.04	1.44	4.00	1.44	3.92	1.46	3.85	1.47
					-5	5.03	1.46	4.91	1.48	4.79	1.50	4.74	1.51	4.69	1.52	4.61	1.53	4.53	1.54
					0	5.75	1.53	5.62	1.55	5.50	1.57	5.44	1.58	5.39	1.59	5.30	1.60	5.21	1.62
					2	6.04	1.55	5.90	1.58	5.78	1.60	5.72	1.61	5.67	1.62	5.57	1.63	5.49	1.65
					7	6.61	1.61	6.47	1.63	6.34	1.65	6.30	1.66	6.23	1.67	6.12	1.69	6.03	1.71
					10	7.19	1.66	7.04	1.68	6.91	1.71	6.84	1.72	6.79	1.73	6.68	1.75	6.58	1.76
					15	7.91	1.73	7.75	1.75	7.61	1.78	7.55	1.79	7.49	1.80	7.37	1.82	7.27	1.84
2000	2500	2500	7000	135%	-15	3.43	1.26	3.33	1.28	3.23	1.30	3.19	1.31	3.15	1.31	3.08	1.33	3.02	1.34
					-10	4.11	1.33	4.00	1.35	3.90	1.37	3.85	1.38	3.81	1.38	3.73	1.40	3.67	1.41
					-5	4.80	1.40	4.67	1.42	4.57	1.44	4.52	1.44	4.47	1.45	4.39	1.47	4.31	1.48
					0	5.48	1.46	5.35	1.48	5.24	1.50	5.18	1.51	5.13	1.52	5.04	1.54	4.97	1.55
					2	5.75	1.49	5.62	1.51	5.50	1.53	5.45	1.54	5.40	1.55	5.31	1.56	5.23	1.58
					7	6.30	1.54	6.16	1.56	6.04	1.58	6.00	1.59	5.93	1.60	5.83	1.62	5.75	1.63
					10	6.84	1.59	6.70	1.61	6.58	1.64	6.52	1.65	6.46	1.66	6.36	1.67	6.27	1.69
					15	7.53	1.65	7.38	1.68	7.25	1.70	7.19	1.71	7.13	1.72	7.02	1.74	6.92	1.76
2000	2500	3500	8000	154%	-15	3.61	1.30	3.49	1.32	3.39	1.33	3.35	1.34	3.31	1.35	3.23	1.36	3.17	1.37
					-10	4.32	1.36	4.20	1.38	4.09	1.40	4.04	1.41	4.00	1.42	3.92	1.43	3.85	1.44
					-5	5.03	1.43	4.91	1.45	4.79	1.47	4.74	1.48	4.69	1.49	4.61	1.50	4.53	1.52
					0	5.75	1.50	5.62	1.52	5.50	1.54	5.44	1.55	5.39	1.56	5.30	1.57	5.21	1.59
					2	6.04	1.52	5.90	1.55	5.78	1.57	5.72	1.58	5.67	1.59	5.57	1.60	5.49	1.62
					7	6.61	1.58	6.47	1.60	6.34	1.62	6.30	1.63	6.23	1.64	6.12	1.66	6.03	1.67
					10	7.19	1.63	7.04	1.65	6.91	1.68	6.84	1.69	6.79	1.70	6.68	1.72	6.58	1.73
					15	7.91	1.70	7.75	1.72	7.61	1.74	7.55	1.75	7.49	1.77	7.37	1.78	7.27	1.80

12. Capacity Table

Combination (Capacity Index)			Combination (Total)	Combination (%)	Outdoor Temperature (°C, DB)	Indoor Temperature(°C, DB)													
						14		16		18		20		21		22		24	
						TC(kW)	PI(kW)	TC(kW)	PI(kW)	TC(kW)	PI(kW)	TC(kW)	PI(kW)	TC(kW)	PI(kW)	TC(kW)	PI(kW)	TC(kW)	PI(kW)
2500	2500	2500	7500	144%	-15	3.61	1.11	3.49	1.13	3.39	1.14	3.35	1.15	3.31	1.16	3.23	1.17	3.17	1.18
					-10	4.32	1.17	4.20	1.19	4.09	1.20	4.04	1.21	4.00	1.22	3.92	1.23	3.85	1.24
					-5	5.03	1.23	4.91	1.25	4.79	1.26	4.74	1.27	4.69	1.28	4.61	1.29	4.53	1.30
					0	5.75	1.29	5.62	1.31	5.50	1.32	5.44	1.33	5.39	1.34	5.30	1.35	5.21	1.36
					2	6.04	1.31	5.90	1.33	5.78	1.35	5.72	1.35	5.67	1.36	5.57	1.38	5.49	1.39
					7	6.61	1.35	6.47	1.37	6.34	1.39	6.30	1.40	6.23	1.41	6.12	1.43	6.03	1.44
					10	7.19	1.40	7.04	1.42	6.91	1.44	6.84	1.45	6.79	1.46	6.68	1.47	6.58	1.49
15	7.91	1.46	7.75	1.48	7.61	1.50	7.55	1.51	7.49	1.52	7.37	1.53	7.27	1.55					
2500	2500	3500	8500	163%	-15	3.61	1.11	3.49	1.13	3.39	1.14	3.35	1.15	3.31	1.16	3.23	1.17	3.17	1.18
					-10	4.32	1.17	4.20	1.19	4.09	1.20	4.04	1.21	4.00	1.22	3.92	1.23	3.85	1.24
					-5	5.03	1.23	4.91	1.25	4.79	1.26	4.74	1.27	4.69	1.28	4.61	1.29	4.53	1.30
					0	5.75	1.29	5.62	1.31	5.50	1.32	5.44	1.33	5.39	1.34	5.30	1.35	5.21	1.36
					2	6.04	1.31	5.90	1.33	5.78	1.35	5.72	1.35	5.67	1.36	5.57	1.38	5.49	1.39
					7	6.61	1.35	6.47	1.37	6.34	1.39	6.30	1.40	6.23	1.41	6.12	1.43	6.03	1.44
					10	7.19	1.40	7.04	1.42	6.91	1.44	6.84	1.45	6.79	1.46	6.68	1.47	6.58	1.49
15	7.91	1.46	7.75	1.48	7.61	1.50	7.55	1.51	7.49	1.52	7.37	1.53	7.27	1.55					

NOTE

- Cooling capacity is based on 27°CDB / 19°CWB (indoor temperature), 35°CDB (outdoor temperature).
- Heating capacity is based on 20°CDB (indoor temperature), 7°CDB/6°CWB (outdoor temperature).
- The above is the value for connecting with the following indoor units.
 - 2000, 2500, 3500, 5000W class: Wall Mounted A3050 Series [only for AR**MXWSAWKNEU]
- Capacities are based on the following conditions:
 - Corresponding refrigerant piping length : 5m / - Level difference : 0m
- The total ability of connected a indoor unit is up to 7.5kW
- It is impossible to connect the indoor unit for one room only.
- This data is reference data for temperature capacity trend.

12. Capacity Table

12-4. AJ068RCJ3EG/EU

Cooling

Combination (Capacity Index)			Combination (Total)	Combination (%)	Outdoor Temperature (°C, DB)	Indoor Temperature(°C, WB)													
						14		16		18		19		20		22		24	
						TC(kW)	PI(kW)	TC(kW)	PI(kW)	TC(kW)	PI(kW)	TC(kW)	PI(kW)	TC(kW)	PI(kW)	TC(kW)	PI(kW)	TC(kW)	PI(kW)
2000			2000	29%	10	1.60	0.36	2.32	0.41	2.42	0.44	2.46	0.46	2.51	0.47	2.61	0.49	2.71	0.51
					12	1.60	0.38	2.28	0.42	2.38	0.45	2.43	0.47	2.48	0.48	2.57	0.50	2.67	0.52
					14	1.60	0.40	2.24	0.44	2.34	0.47	2.39	0.48	2.44	0.50	2.53	0.52	2.63	0.53
					16	1.60	0.41	2.21	0.45	2.30	0.48	2.35	0.50	2.40	0.51	2.50	0.53	2.59	0.54
					18	1.60	0.43	2.17	0.47	2.27	0.50	2.31	0.51	2.36	0.52	2.46	0.54	2.55	0.55
					20	1.60	0.45	2.13	0.48	2.23	0.51	2.28	0.52	2.32	0.53	2.42	0.55	2.52	0.56
					21	1.60	0.46	2.12	0.49	2.21	0.52	2.26	0.53	2.30	0.54	2.40	0.56	2.50	0.57
					23	1.60	0.48	2.08	0.51	2.17	0.53	2.22	0.55	2.27	0.56	2.36	0.57	2.46	0.58
					25	1.60	0.49	2.04	0.53	2.14	0.55	2.18	0.56	2.23	0.57	2.32	0.58	2.42	0.59
					27	1.60	0.51	2.01	0.54	2.10	0.57	2.15	0.58	2.19	0.58	2.29	0.60	2.38	0.60
					29	1.60	0.53	1.97	0.56	2.06	0.58	2.11	0.59	2.16	0.60	2.25	0.61	2.34	0.61
					31	1.60	0.55	1.94	0.58	2.03	0.60	2.07	0.61	2.12	0.61	2.21	0.62	2.30	0.62
					33	1.60	0.57	1.90	0.60	1.99	0.61	2.04	0.62	2.08	0.63	2.17	0.64	2.27	0.64
					35	1.60	0.59	1.86	0.61	1.95	0.63	2.00	0.63	2.04	0.64	2.14	0.65	2.23	0.65
					37	1.60	0.61	1.83	0.63	1.92	0.65	1.96	0.65	2.01	0.66	2.10	0.66	2.19	0.66
					39	1.60	0.63	1.79	0.65	1.88	0.67	1.93	0.67	1.97	0.68	2.06	0.68	2.15	0.68
42	1.58	0.66	1.74	0.68	1.83	0.69	1.87	0.70	1.92	0.70	2.01	0.70	2.10	0.70					
44	1.50	0.68	1.71	0.70	1.79	0.71	1.84	0.71	1.88	0.72	1.97	0.72	2.06	0.71					
46	1.46	0.70	1.67	0.72	1.76	0.73	1.80	0.73	1.84	0.73	1.93	0.73	2.02	0.72					
2500			2500	37%	10	2.00	0.46	2.90	0.51	3.02	0.55	3.08	0.57	3.14	0.59	3.26	0.62	3.39	0.64
					12	2.00	0.48	2.85	0.53	2.97	0.57	3.03	0.59	3.09	0.60	3.22	0.63	3.34	0.65
					14	2.00	0.50	2.80	0.55	2.93	0.59	2.99	0.61	3.05	0.62	3.17	0.65	3.29	0.66
					16	2.00	0.52	2.76	0.57	2.88	0.61	2.94	0.62	3.00	0.64	3.12	0.66	3.24	0.68
					18	2.00	0.54	2.71	0.59	2.83	0.62	2.89	0.64	2.95	0.65	3.07	0.68	3.19	0.69
					20	2.00	0.56	2.67	0.61	2.79	0.64	2.85	0.66	2.90	0.67	3.02	0.69	3.14	0.70
					21	2.00	0.58	2.64	0.62	2.76	0.65	2.82	0.67	2.88	0.68	3.00	0.70	3.12	0.71
					23	2.00	0.60	2.60	0.64	2.72	0.67	2.78	0.68	2.83	0.70	2.95	0.71	3.07	0.72
					25	2.00	0.62	2.55	0.66	2.67	0.69	2.73	0.70	2.79	0.71	2.91	0.73	3.02	0.74
					27	2.00	0.64	2.51	0.68	2.62	0.71	2.68	0.72	2.74	0.73	2.86	0.75	2.98	0.75
					29	2.00	0.67	2.46	0.70	2.58	0.73	2.64	0.74	2.69	0.75	2.81	0.76	2.93	0.77
					31	2.00	0.69	2.42	0.72	2.53	0.75	2.59	0.76	2.65	0.77	2.76	0.78	2.88	0.78
					33	2.00	0.71	2.37	0.75	2.49	0.77	2.54	0.78	2.60	0.79	2.72	0.80	2.83	0.80
					35	2.00	0.74	2.33	0.77	2.44	0.79	2.50	0.79	2.56	0.81	2.67	0.81	2.78	0.82
					37	2.00	0.76	2.29	0.79	2.40	0.81	2.45	0.82	2.51	0.83	2.62	0.83	2.74	0.83
					39	2.00	0.79	2.24	0.82	2.35	0.84	2.41	0.84	2.46	0.85	2.58	0.85	2.69	0.85
42	1.98	0.83	2.18	0.85	2.29	0.87	2.34	0.87	2.40	0.88	2.51	0.88	2.62	0.87					
44	1.88	0.85	2.13	0.88	2.24	0.89	2.30	0.90	2.35	0.90	2.46	0.90	2.57	0.89					
46	1.83	0.88	2.09	0.90	2.20	0.91	2.25	0.92	2.30	0.92	2.41	0.92	2.53	0.91					

12. Capacity Table

Combination (Capacity Index)			Combination (Total)	Combination (%)	Outdoor Temperature (°C, DB)	Indoor Temperature(°C, WB)													
						14		16		18		19		20		22		24	
						TC(kW)	PI(kW)	TC(kW)	PI(kW)	TC(kW)	PI(kW)	TC(kW)	PI(kW)	TC(kW)	PI(kW)	TC(kW)	PI(kW)	TC(kW)	PI(kW)
3500			3500	51%	10	2.80	0.62	4.06	0.69	4.23	0.75	4.31	0.77	4.40	0.80	4.57	0.84	4.74	0.87
					12	2.80	0.65	3.99	0.71	4.16	0.77	4.25	0.80	4.33	0.82	4.50	0.86	4.68	0.88
					14	2.80	0.68	3.93	0.74	4.10	0.80	4.18	0.82	4.26	0.84	4.44	0.88	4.61	0.90
					16	2.80	0.70	3.86	0.77	4.03	0.82	4.11	0.84	4.20	0.86	4.37	0.90	4.54	0.92
					18	2.80	0.73	3.80	0.79	3.96	0.84	4.05	0.87	4.13	0.89	4.30	0.92	4.47	0.94
					20	2.80	0.76	3.73	0.82	3.90	0.87	3.98	0.89	4.07	0.91	4.23	0.94	4.40	0.95
					21	2.80	0.78	3.70	0.84	3.87	0.88	3.95	0.90	4.03	0.92	4.20	0.95	4.37	0.96
					23	2.80	0.81	3.64	0.86	3.80	0.91	3.89	0.93	3.97	0.94	4.13	0.97	4.30	0.98
					25	2.80	0.84	3.58	0.89	3.74	0.93	3.82	0.95	3.90	0.97	4.07	0.99	4.23	1.00
					27	2.80	0.87	3.51	0.92	3.67	0.96	3.76	0.98	3.84	0.99	4.00	1.01	4.17	1.02
					29	2.80	0.90	3.45	0.95	3.61	0.99	3.69	1.00	3.77	1.02	3.93	1.03	4.10	1.04
					31	2.80	0.94	3.39	0.98	3.55	1.02	3.63	1.03	3.71	1.04	3.87	1.06	4.03	1.06
					33	2.80	0.97	3.32	1.01	3.48	1.04	3.56	1.06	3.64	1.07	3.80	1.08	3.97	1.08
					35	2.80	1.00	3.26	1.04	3.42	1.07	3.50	1.07	3.58	1.09	3.74	1.10	3.90	1.10
					37	2.80	1.03	3.20	1.07	3.36	1.10	3.43	1.11	3.51	1.12	3.67	1.13	3.83	1.13
					39	2.80	1.07	3.14	1.11	3.29	1.13	3.37	1.14	3.45	1.15	3.61	1.15	3.77	1.15
42	2.77	1.12	3.05	1.15	3.20	1.18	3.28	1.18	3.35	1.19	3.51	1.19	3.67	1.18					
44	2.63	1.16	2.98	1.19	3.14	1.21	3.21	1.21	3.29	1.22	3.45	1.22	3.60	1.21					
46	2.56	1.19	2.92	1.22	3.07	1.24	3.15	1.24	3.23	1.25	3.38	1.24	3.54	1.23					
5000			5000	74%	10	4.00	0.94	5.79	1.04	6.04	1.13	6.16	1.17	6.28	1.21	6.53	1.27	6.78	1.31
					12	4.00	0.98	5.70	1.08	5.94	1.17	6.07	1.21	6.19	1.24	6.43	1.30	6.68	1.34
					14	4.00	1.02	5.61	1.12	5.85	1.21	5.97	1.24	6.09	1.27	6.34	1.33	6.58	1.36
					16	4.00	1.07	5.52	1.16	5.76	1.24	5.88	1.28	6.00	1.31	6.24	1.36	6.48	1.39
					18	4.00	1.11	5.43	1.20	5.66	1.28	5.78	1.31	5.90	1.34	6.14	1.39	6.39	1.42
					20	4.00	1.16	5.34	1.24	5.57	1.32	5.69	1.35	5.81	1.37	6.05	1.42	6.29	1.44
					21	4.00	1.18	5.29	1.27	5.53	1.34	5.64	1.37	5.76	1.39	6.00	1.43	6.24	1.46
					23	4.00	1.23	5.20	1.31	5.43	1.38	5.55	1.40	5.67	1.43	5.91	1.46	6.14	1.49
					25	4.00	1.27	5.11	1.35	5.34	1.42	5.46	1.44	5.57	1.46	5.81	1.50	6.05	1.52
					27	4.00	1.32	5.02	1.40	5.25	1.46	5.37	1.48	5.48	1.50	5.72	1.53	5.95	1.55
					29	4.00	1.37	4.93	1.44	5.16	1.50	5.27	1.52	5.39	1.54	5.62	1.56	5.86	1.58
					31	4.00	1.42	4.84	1.49	5.07	1.54	5.18	1.56	5.30	1.58	5.53	1.60	5.76	1.61
					33	4.00	1.47	4.75	1.53	4.98	1.58	5.09	1.60	5.20	1.62	5.43	1.64	5.66	1.64
					35	4.00	1.52	4.66	1.58	4.89	1.62	5.00	1.62	5.11	1.66	5.34	1.67	5.57	1.67
					37	4.00	1.57	4.57	1.63	4.79	1.67	4.91	1.68	5.02	1.70	5.25	1.71	5.47	1.70
					39	4.00	1.62	4.48	1.67	4.70	1.71	4.82	1.73	4.93	1.74	5.15	1.75	5.38	1.74
42	3.95	1.70	4.35	1.75	4.57	1.78	4.68	1.79	4.79	1.80	5.01	1.80	5.24	1.79					
44	3.75	1.75	4.26	1.80	4.48	1.83	4.59	1.84	4.70	1.84	4.92	1.84	5.14	1.83					
46	3.65	1.80	4.18	1.85	4.39	1.87	4.50	1.88	4.61	1.89	4.83	1.88	5.05	1.86					

12. Capacity Table

Combination (Capacity Index)		Combination (Total)	Combination (%)	Outdoor Temperature (°C, DB)	Indoor Temperature(°C, WB)													
					14		16		18		19		20		22		24	
					TC(kW)	PI(kW)	TC(kW)	PI(kW)	TC(kW)	PI(kW)	TC(kW)	PI(kW)	TC(kW)	PI(kW)	TC(kW)	PI(kW)	TC(kW)	PI(kW)
2000	2000	4000	59%	10	3.53	0.87	4.99	0.89	5.08	0.91	5.14	0.92	5.20	0.94	5.35	0.95	5.52	0.97
				12	3.53	0.89	4.85	0.91	4.95	0.94	5.01	0.95	5.08	0.96	5.23	0.98	5.41	1.00
				14	3.53	0.92	4.72	0.94	4.83	0.96	4.89	0.97	4.96	0.98	5.12	1.00	5.31	1.02
				16	3.53	0.94	4.60	0.96	4.71	0.98	4.78	0.99	4.85	1.00	5.02	1.02	5.21	1.04
				18	3.53	0.96	4.48	0.98	4.60	1.01	4.67	1.02	4.75	1.03	4.92	1.04	5.12	1.06
				20	3.53	0.99	4.36	1.01	4.49	1.03	4.57	1.04	4.65	1.05	4.83	1.07	5.03	1.09
				21	3.53	1.00	4.31	1.02	4.44	1.04	4.52	1.05	4.60	1.06	4.78	1.08	4.99	1.10
				23	3.53	1.03	4.20	1.05	4.34	1.07	4.42	1.08	4.51	1.09	4.70	1.11	4.91	1.13
				25	3.53	1.05	4.10	1.07	4.25	1.09	4.33	1.10	4.42	1.11	4.62	1.13	4.84	1.15
				27	3.53	1.08	4.01	1.10	4.16	1.12	4.25	1.13	4.34	1.14	4.55	1.16	4.78	1.18
				29	3.53	1.11	3.92	1.13	4.08	1.15	4.17	1.16	4.27	1.17	4.48	1.19	4.72	1.20
				31	3.53	1.13	3.84	1.15	4.01	1.18	4.10	1.19	4.20	1.19	4.42	1.21	4.66	1.23
				33	3.53	1.16	3.76	1.18	3.94	1.20	4.03	1.21	4.13	1.22	4.36	1.24	4.61	1.26
				35	3.53	1.19	3.69	1.21	3.87	1.23	4.00	1.24	4.08	1.25	4.31	1.27	4.57	1.29
				37	3.53	1.22	3.62	1.24	3.81	1.26	3.91	1.27	4.02	1.28	4.26	1.30	4.53	1.32
				39	3.53	1.25	3.56	1.27	3.76	1.29	3.86	1.30	3.98	1.31	4.22	1.33	4.49	1.35
				42	3.53	1.30	3.48	1.32	3.69	1.34	3.80	1.35	3.92	1.36	4.17	1.38	4.46	1.40
44	3.53	1.33	3.44	1.35	3.65	1.37	3.76	1.38	3.89	1.39	4.15	1.41	4.44	1.43				
46	3.53	1.37	3.39	1.39	3.61	1.41	3.73	1.42	3.86	1.43	4.13	1.44	4.42	1.46				
2000	2500	4500	66%	10	3.98	0.99	5.61	1.02	5.72	1.04	5.78	1.05	5.85	1.06	6.01	1.09	6.21	1.11
				12	3.98	1.02	5.46	1.04	5.57	1.06	5.64	1.08	5.71	1.09	5.89	1.11	6.09	1.13
				14	3.98	1.04	5.31	1.07	5.43	1.09	5.50	1.10	5.58	1.11	5.76	1.14	5.97	1.16
				16	3.98	1.07	5.17	1.09	5.30	1.12	5.38	1.13	5.46	1.14	5.65	1.16	5.86	1.18
				18	3.98	1.09	5.04	1.12	5.17	1.14	5.25	1.15	5.34	1.17	5.53	1.19	5.76	1.21
				20	3.98	1.12	4.91	1.15	5.05	1.17	5.14	1.18	5.23	1.19	5.43	1.22	5.66	1.24
				21	3.98	1.14	4.85	1.16	5.00	1.18	5.08	1.20	5.17	1.21	5.38	1.23	5.62	1.25
				23	3.98	1.17	4.73	1.19	4.89	1.21	4.98	1.23	5.07	1.24	5.29	1.26	5.53	1.28
				25	3.98	1.20	4.62	1.22	4.78	1.24	4.87	1.25	4.98	1.27	5.20	1.29	5.45	1.31
				27	3.98	1.23	4.51	1.25	4.68	1.27	4.78	1.28	4.88	1.30	5.11	1.32	5.37	1.34
				29	3.98	1.26	4.41	1.28	4.59	1.30	4.69	1.32	4.80	1.33	5.04	1.35	5.30	1.37
				31	3.98	1.29	4.32	1.31	4.51	1.34	4.61	1.35	4.72	1.36	4.97	1.38	5.24	1.40
				33	3.98	1.32	4.23	1.35	4.43	1.37	4.54	1.38	4.65	1.39	4.90	1.41	5.19	1.43
				35	3.98	1.36	4.15	1.38	4.35	1.40	4.50	1.41	4.59	1.42	4.85	1.45	5.14	1.47
				37	3.98	1.39	4.08	1.41	4.29	1.44	4.40	1.45	4.53	1.46	4.80	1.48	5.09	1.50
				39	3.98	1.42	4.01	1.45	4.23	1.47	4.35	1.48	4.48	1.49	4.75	1.51	5.06	1.53
				42	3.98	1.48	3.92	1.50	4.15	1.52	4.27	1.54	4.41	1.55	4.70	1.57	5.01	1.59
44	3.98	1.52	3.87	1.54	4.10	1.56	4.23	1.57	4.37	1.58	4.67	1.60	4.99	1.62				
46	3.98	1.55	3.82	1.58	4.07	1.60	4.20	1.61	4.34	1.62	4.64	1.64	4.98	1.66				

12. Capacity Table

Combination (Capacity Index)			Combination (Total)	Combination (%)	Outdoor Temperature (°C, DB)	Indoor Temperature(°C, WB)													
						14		16		18		19		20		22		24	
						TC(kW)	PI(kW)	TC(kW)	PI(kW)	TC(kW)	PI(kW)	TC(kW)	PI(kW)	TC(kW)	PI(kW)	TC(kW)	PI(kW)	TC(kW)	PI(kW)
2000	3500	5500	81%	10	4.86	1.29	6.86	1.32	6.99	1.35	7.06	1.36	7.15	1.38	7.35	1.41	7.59	1.44	
				12	4.86	1.32	6.67	1.35	6.81	1.38	6.89	1.40	6.98	1.41	7.19	1.44	7.44	1.47	
				14	4.86	1.35	6.49	1.38	6.64	1.41	6.73	1.43	6.82	1.44	7.04	1.47	7.30	1.50	
				16	4.86	1.39	6.32	1.42	6.48	1.45	6.57	1.46	6.67	1.48	6.90	1.51	7.16	1.54	
				18	4.86	1.42	6.16	1.45	6.32	1.48	6.42	1.50	6.53	1.51	6.76	1.54	7.04	1.57	
				20	4.86	1.46	6.00	1.49	6.18	1.52	6.28	1.53	6.39	1.55	6.64	1.58	6.92	1.61	
				21	4.86	1.48	5.92	1.51	6.11	1.54	6.21	1.55	6.32	1.57	6.58	1.60	6.86	1.62	
				23	4.86	1.51	5.78	1.54	5.97	1.58	6.08	1.59	6.20	1.60	6.46	1.63	6.76	1.66	
				25	4.86	1.55	5.64	1.58	5.84	1.61	5.96	1.63	6.08	1.64	6.35	1.67	6.66	1.70	
				27	4.86	1.59	5.51	1.62	5.72	1.65	5.84	1.67	5.97	1.68	6.25	1.71	6.57	1.74	
				29	4.86	1.63	5.39	1.66	5.61	1.69	5.74	1.71	5.87	1.72	6.16	1.75	6.48	1.78	
				31	4.86	1.67	5.28	1.70	5.51	1.73	5.64	1.75	5.77	1.76	6.07	1.79	6.41	1.82	
				33	4.86	1.72	5.17	1.75	5.41	1.78	5.54	1.79	5.69	1.81	5.99	1.83	6.34	1.86	
				35	4.86	1.76	5.07	1.79	5.32	1.82	5.50	1.83	5.61	1.85	5.92	1.88	6.28	1.90	
				37	4.86	1.80	4.98	1.83	5.24	1.86	5.38	1.88	5.53	1.89	5.86	1.92	6.23	1.95	
				39	4.86	1.85	4.90	1.88	5.17	1.91	5.31	1.92	5.47	1.94	5.81	1.97	6.18	1.99	
42	4.86	1.92	4.79	1.95	5.07	1.98	5.22	1.99	5.39	2.01	5.74	2.03	6.13	2.06					
44	4.86	1.97	4.72	2.00	5.02	2.03	5.17	2.04	5.34	2.05	5.70	2.08	6.10	2.11					
46	4.86	2.02	4.67	2.05	4.97	2.08	5.13	2.09	5.30	2.10	5.68	2.13	6.08	2.16					
2000	5000	7000	103%	10	5.74	1.41	8.10	1.44	8.26	1.47	8.35	1.49	8.45	1.51	8.69	1.54	8.97	1.57	
				12	5.74	1.44	7.88	1.48	8.05	1.51	8.15	1.53	8.25	1.54	8.50	1.57	8.79	1.61	
				14	5.74	1.48	7.67	1.51	7.85	1.55	7.95	1.56	8.06	1.58	8.32	1.61	8.62	1.64	
				16	5.74	1.51	7.47	1.55	7.66	1.58	7.76	1.60	7.88	1.62	8.15	1.65	8.47	1.68	
				18	5.74	1.55	7.28	1.59	7.47	1.62	7.59	1.64	7.71	1.65	7.99	1.69	8.32	1.72	
				20	5.74	1.59	7.09	1.63	7.30	1.66	7.42	1.68	7.55	1.69	7.84	1.72	8.18	1.75	
				21	5.74	1.61	7.00	1.65	7.22	1.68	7.34	1.70	7.47	1.71	7.77	1.74	8.11	1.77	
				23	5.74	1.65	6.83	1.69	7.06	1.72	7.19	1.74	7.33	1.75	7.63	1.78	7.99	1.81	
				25	5.74	1.70	6.67	1.73	6.91	1.76	7.04	1.78	7.19	1.80	7.51	1.83	7.87	1.86	
				27	5.74	1.74	6.52	1.77	6.77	1.81	6.91	1.82	7.06	1.84	7.39	1.87	7.76	1.90	
				29	5.74	1.78	6.37	1.82	6.63	1.85	6.78	1.87	6.93	1.88	7.28	1.91	7.66	1.94	
				31	5.74	1.83	6.24	1.86	6.51	1.90	6.66	1.91	6.82	1.93	7.18	1.96	7.57	1.99	
				33	5.74	1.87	6.11	1.91	6.40	1.94	6.55	1.96	6.72	1.97	7.08	2.00	7.49	2.03	
				35	5.74	1.92	6.00	1.96	6.29	1.99	6.50	2.00	6.63	2.02	7.00	2.05	7.42	2.08	
				37	5.74	1.97	5.89	2.00	6.19	2.04	6.36	2.05	6.54	2.07	6.93	2.10	7.36	2.13	
				39	5.74	2.02	5.79	2.05	6.11	2.09	6.28	2.10	6.46	2.12	6.86	2.15	7.30	2.18	
42	5.74	2.10	5.66	2.13	5.99	2.16	6.17	2.18	6.37	2.19	6.78	2.22	7.24	2.25					
44	5.74	2.15	5.58	2.18	5.93	2.21	6.12	2.23	6.31	2.25	6.74	2.28	7.21	2.30					
46	5.74	2.20	5.52	2.24	5.87	2.27	6.07	2.28	6.27	2.30	6.71	2.33	7.19	2.36					

12. Capacity Table

Combination (Capacity Index)		Combination (Total)	Combination (%)	Outdoor Temperature (°C, DB)	Indoor Temperature(°C, WB)													
					14		16		18		19		20		22		24	
					TC(kW)	PI(kW)	TC(kW)	PI(kW)	TC(kW)	PI(kW)	TC(kW)	PI(kW)	TC(kW)	PI(kW)	TC(kW)	PI(kW)	TC(kW)	PI(kW)
2500	2500	5000	74%	10	4.42	1.17	6.23	1.20	6.35	1.22	6.42	1.24	6.50	1.25	6.68	1.28	6.90	1.30
				12	4.42	1.20	6.06	1.22	6.19	1.25	6.27	1.27	6.35	1.28	6.54	1.31	6.76	1.33
				14	4.42	1.23	5.90	1.25	6.04	1.28	6.12	1.30	6.20	1.31	6.40	1.34	6.63	1.36
				16	4.42	1.26	5.75	1.29	5.89	1.31	5.97	1.33	6.06	1.34	6.27	1.37	6.51	1.39
				18	4.42	1.29	5.60	1.32	5.75	1.35	5.84	1.36	5.93	1.37	6.15	1.40	6.40	1.42
				20	4.42	1.32	5.45	1.35	5.62	1.38	5.71	1.39	5.81	1.41	6.03	1.43	6.29	1.46
				21	4.42	1.34	5.39	1.37	5.55	1.39	5.65	1.41	5.75	1.42	5.98	1.45	6.24	1.47
				23	4.42	1.37	5.25	1.40	5.43	1.43	5.53	1.44	5.63	1.46	5.87	1.48	6.14	1.51
				25	4.42	1.41	5.13	1.44	5.31	1.46	5.42	1.48	5.53	1.49	5.77	1.52	6.05	1.54
				27	4.42	1.44	5.01	1.47	5.20	1.50	5.31	1.51	5.43	1.53	5.68	1.55	5.97	1.58
				29	4.42	1.48	4.90	1.51	5.10	1.54	5.21	1.55	5.33	1.56	5.60	1.59	5.89	1.61
				31	4.42	1.52	4.80	1.55	5.01	1.57	5.12	1.59	5.25	1.60	5.52	1.63	5.82	1.65
				33	4.42	1.56	4.70	1.58	4.92	1.61	5.04	1.62	5.17	1.64	5.45	1.66	5.76	1.69
				35	4.42	1.60	4.61	1.62	4.84	1.65	5.00	1.66	5.10	1.68	5.39	1.70	5.71	1.73
				37	4.42	1.64	4.53	1.66	4.76	1.69	4.89	1.70	5.03	1.72	5.33	1.74	5.66	1.77
				39	4.42	1.68	4.45	1.71	4.70	1.73	4.83	1.74	4.97	1.76	5.28	1.78	5.62	1.81
42	4.42	1.74	4.35	1.77	4.61	1.80	4.75	1.81	4.90	1.82	5.22	1.85	5.57	1.87				
44	4.42	1.78	4.30	1.81	4.56	1.84	4.70	1.85	4.86	1.86	5.18	1.89	5.55	1.91				
46	4.42	1.83	4.24	1.86	4.52	1.88	4.67	1.90	4.82	1.91	5.16	1.93	5.53	1.96				
2500	3000	6000	88%	10	5.30	1.39	7.48	1.43	7.62	1.46	7.71	1.48	7.80	1.49	8.02	1.52	8.28	1.56
				12	5.30	1.43	7.28	1.46	7.43	1.49	7.52	1.51	7.62	1.53	7.85	1.56	8.11	1.59
				14	5.30	1.46	7.08	1.50	7.24	1.53	7.34	1.55	7.44	1.56	7.68	1.59	7.96	1.62
				16	5.30	1.50	6.89	1.53	7.07	1.57	7.17	1.58	7.28	1.60	7.53	1.63	7.81	1.66
				18	5.30	1.54	6.72	1.57	6.90	1.61	7.00	1.62	7.12	1.64	7.38	1.67	7.68	1.70
				20	5.30	1.58	6.55	1.61	6.74	1.64	6.85	1.66	6.97	1.68	7.24	1.71	7.55	1.74
				21	5.30	1.60	6.46	1.63	6.66	1.66	6.78	1.68	6.90	1.70	7.17	1.73	7.49	1.76
				23	5.30	1.64	6.31	1.67	6.51	1.70	6.63	1.72	6.76	1.74	7.05	1.77	7.37	1.80
				25	5.30	1.68	6.16	1.71	6.38	1.75	6.50	1.76	6.63	1.78	6.93	1.81	7.26	1.84
				27	5.30	1.72	6.02	1.76	6.25	1.79	6.37	1.80	6.51	1.82	6.82	1.85	7.16	1.88
				29	5.30	1.77	5.88	1.80	6.12	1.83	6.26	1.85	6.40	1.86	6.72	1.89	7.07	1.92
				31	5.30	1.81	5.76	1.84	6.01	1.88	6.15	1.89	6.30	1.91	6.62	1.94	6.99	1.97
				33	5.30	1.86	5.64	1.89	5.90	1.92	6.05	1.94	6.20	1.95	6.54	1.98	6.92	2.01
				35	5.30	1.90	5.54	1.94	5.81	1.97	6.00	1.98	6.12	2.00	6.46	2.03	6.85	2.06
				37	5.30	1.95	5.44	1.98	5.72	2.02	5.87	2.03	6.04	2.05	6.39	2.08	6.79	2.11
				39	5.30	2.00	5.34	2.03	5.64	2.07	5.80	2.08	5.97	2.10	6.34	2.13	6.74	2.15
42	5.30	2.08	5.22	2.11	5.53	2.14	5.70	2.16	5.88	2.17	6.26	2.20	6.68	2.23				
44	5.30	2.13	5.15	2.16	5.47	2.19	5.64	2.21	5.83	2.22	6.22	2.25	6.65	2.28				
46	5.30	2.18	5.09	2.21	5.42	2.25	5.60	2.26	5.79	2.28	6.19	2.30	6.63	2.33				

12. Capacity Table

Combination (Capacity Index)			Combination (Total)	Combination (%)	Outdoor Temperature (°C, DB)	Indoor Temperature(°C, WB)													
						14		16		18		19		20		22		24	
						TC(kW)	PI(kW)	TC(kW)	PI(kW)	TC(kW)	PI(kW)	TC(kW)	PI(kW)	TC(kW)	PI(kW)	TC(kW)	PI(kW)	TC(kW)	PI(kW)
2500	5000		7500	110%	10	6.01	1.47	8.48	1.51	8.64	1.54	8.73	1.56	8.84	1.58	9.09	1.61	9.38	1.64
					12	6.01	1.51	8.25	1.54	8.42	1.58	8.52	1.60	8.63	1.61	8.89	1.65	9.20	1.68
					14	6.01	1.54	8.03	1.58	8.21	1.62	8.32	1.63	8.44	1.65	8.71	1.68	9.02	1.72
					16	6.01	1.58	7.81	1.62	8.01	1.65	8.12	1.67	8.25	1.69	8.53	1.72	8.86	1.75
					18	6.01	1.62	7.61	1.66	7.82	1.69	7.94	1.71	8.07	1.73	8.36	1.76	8.70	1.79
					20	6.01	1.66	7.42	1.70	7.64	1.74	7.76	1.75	7.90	1.77	8.21	1.80	8.56	1.83
					21	6.01	1.68	7.33	1.72	7.55	1.76	7.68	1.77	7.82	1.79	8.13	1.82	8.49	1.85
					23	6.01	1.73	7.15	1.76	7.38	1.80	7.52	1.82	7.66	1.83	7.99	1.87	8.35	1.90
					25	6.01	1.77	6.98	1.81	7.23	1.84	7.37	1.86	7.52	1.88	7.85	1.91	8.23	1.94
					27	6.01	1.82	6.82	1.85	7.08	1.89	7.22	1.90	7.38	1.92	7.73	1.95	8.12	1.98
					29	6.01	1.86	6.67	1.90	6.94	1.93	7.09	1.95	7.25	1.97	7.61	2.00	8.02	2.03
					31	6.01	1.91	6.53	1.95	6.81	1.98	6.97	2.00	7.14	2.01	7.51	2.05	7.92	2.08
					33	6.01	1.96	6.40	1.99	6.69	2.03	6.85	2.05	7.03	2.06	7.41	2.09	7.84	2.12
					35	6.01	2.01	6.27	2.04	6.58	2.08	6.80	2.09	6.93	2.11	7.32	2.14	7.76	2.17
					37	6.01	2.06	6.16	2.09	6.48	2.13	6.66	2.15	6.84	2.16	7.25	2.19	7.70	2.22
					39	6.01	2.11	6.06	2.15	6.39	2.18	6.57	2.20	6.76	2.21	7.18	2.24	7.64	2.27
42	6.01	2.19	5.92	2.23	6.27	2.26	6.46	2.28	6.66	2.29	7.10	2.32	7.57	2.35					
44	6.01	2.25	5.84	2.28	6.20	2.31	6.40	2.33	6.60	2.35	7.05	2.38	7.54	2.41					
46	6.01	2.30	5.77	2.34	6.14	2.37	6.35	2.39	6.56	2.40	7.02	2.43	7.52	2.46					
3500	3500		7000	103%	10	5.74	1.41	8.10	1.45	8.26	1.48	8.35	1.50	8.45	1.52	8.69	1.55	8.97	1.58
					12	5.74	1.45	7.88	1.48	8.05	1.52	8.15	1.53	8.25	1.55	8.50	1.58	8.79	1.61
					14	5.74	1.48	7.67	1.52	7.85	1.55	7.95	1.57	8.06	1.59	8.32	1.62	8.62	1.65
					16	5.74	1.52	7.47	1.56	7.66	1.59	7.76	1.61	7.88	1.62	8.15	1.66	8.47	1.69
					18	5.74	1.56	7.28	1.60	7.47	1.63	7.59	1.65	7.71	1.66	7.99	1.69	8.32	1.72
					20	5.74	1.60	7.09	1.64	7.30	1.67	7.42	1.69	7.55	1.70	7.84	1.73	8.18	1.76
					21	5.74	1.62	7.00	1.66	7.22	1.69	7.34	1.71	7.47	1.72	7.77	1.75	8.11	1.78
					23	5.74	1.66	6.83	1.70	7.06	1.73	7.19	1.75	7.33	1.76	7.63	1.79	7.99	1.82
					25	5.74	1.70	6.67	1.74	6.91	1.77	7.04	1.79	7.19	1.80	7.51	1.84	7.87	1.87
					27	5.74	1.75	6.52	1.78	6.77	1.82	6.91	1.83	7.06	1.85	7.39	1.88	7.76	1.91
					29	5.74	1.79	6.37	1.83	6.63	1.86	6.78	1.88	6.93	1.89	7.28	1.92	7.66	1.95
					31	5.74	1.84	6.24	1.87	6.51	1.91	6.66	1.92	6.82	1.94	7.18	1.97	7.57	2.00
					33	5.74	1.88	6.11	1.92	6.40	1.95	6.55	1.97	6.72	1.98	7.08	2.01	7.49	2.04
					35	5.74	1.93	6.00	1.97	6.29	2.00	6.50	2.01	6.63	2.03	7.00	2.06	7.42	2.09
					37	5.74	1.98	5.89	2.01	6.19	2.05	6.36	2.06	6.54	2.08	6.93	2.11	7.36	2.14
					39	5.74	2.03	5.79	2.06	6.11	2.10	6.28	2.11	6.46	2.13	6.86	2.16	7.30	2.19
42	5.74	2.11	5.66	2.14	5.99	2.17	6.17	2.19	6.37	2.20	6.78	2.23	7.24	2.26					
44	5.74	2.16	5.58	2.19	5.93	2.23	6.12	2.24	6.31	2.26	6.74	2.29	7.21	2.32					
46	5.74	2.21	5.52	2.25	5.87	2.28	6.07	2.29	6.27	2.31	6.71	2.34	7.19	2.37					

12. Capacity Table

Combination (Capacity Index)		Combination (Total)	Combination (%)	Outdoor Temperature (°C,DB)	Indoor Temperature(°C, WB)													
					14		16		18		19		20		22		24	
					TC(kW)	PI(kW)	TC(kW)	PI(kW)	TC(kW)	PI(kW)	TC(kW)	PI(kW)	TC(kW)	PI(kW)	TC(kW)	PI(kW)	TC(kW)	PI(kW)
3500	5000	8500	125%	10	6.01	1.48	8.48	1.51	8.64	1.55	8.73	1.57	8.84	1.58	9.09	1.62	9.38	1.65
				12	6.01	1.51	8.25	1.55	8.42	1.59	8.52	1.60	8.63	1.62	8.89	1.65	9.20	1.69
				14	6.01	1.55	8.03	1.59	8.21	1.62	8.32	1.64	8.44	1.66	8.71	1.69	9.02	1.72
				16	6.01	1.59	7.81	1.63	8.01	1.66	8.12	1.68	8.25	1.70	8.53	1.73	8.86	1.76
				18	6.01	1.63	7.61	1.67	7.82	1.70	7.94	1.72	8.07	1.74	8.36	1.77	8.70	1.80
				20	6.01	1.67	7.42	1.71	7.64	1.74	7.76	1.76	7.90	1.78	8.21	1.81	8.56	1.84
				21	6.01	1.69	7.33	1.73	7.55	1.76	7.68	1.78	7.82	1.80	8.13	1.83	8.49	1.86
				23	6.01	1.74	7.15	1.77	7.38	1.81	7.52	1.82	7.66	1.84	7.99	1.87	8.35	1.91
				25	6.01	1.78	6.98	1.82	7.23	1.85	7.37	1.87	7.52	1.89	7.85	1.92	8.23	1.95
				27	6.01	1.83	6.82	1.86	7.08	1.90	7.22	1.91	7.38	1.93	7.73	1.96	8.12	1.99
				29	6.01	1.87	6.67	1.91	6.94	1.94	7.09	1.96	7.25	1.98	7.61	2.01	8.02	2.04
				31	6.01	1.92	6.53	1.96	6.81	1.99	6.97	2.01	7.14	2.02	7.51	2.06	7.92	2.09
				33	6.01	1.97	6.40	2.00	6.69	2.04	6.85	2.06	7.03	2.07	7.41	2.10	7.84	2.13
				35	6.01	2.02	6.27	2.05	6.58	2.09	6.80	2.10	6.93	2.12	7.32	2.15	7.76	2.18
				37	6.01	2.07	6.16	2.10	6.48	2.14	6.66	2.16	6.84	2.17	7.25	2.20	7.70	2.23
				39	6.01	2.12	6.06	2.16	6.39	2.19	6.57	2.21	6.76	2.22	7.18	2.26	7.64	2.29
42	6.01	2.20	5.92	2.24	6.27	2.27	6.46	2.29	6.66	2.30	7.10	2.33	7.57	2.36				
44	6.01	2.26	5.84	2.29	6.20	2.33	6.40	2.34	6.60	2.36	7.05	2.39	7.54	2.42				
46	6.01	2.31	5.77	2.35	6.14	2.38	6.35	2.40	6.56	2.41	7.02	2.44	7.52	2.47				
5000	5000	10000	147%	10	7.65	1.45	7.95	1.48	8.25	1.51	8.41	1.52	8.56	1.54	8.87	1.57	9.19	1.60
				12	7.51	1.48	7.81	1.52	8.12	1.55	8.27	1.56	8.43	1.58	8.74	1.61	9.06	1.64
				14	7.38	1.52	7.68	1.55	7.99	1.59	8.14	1.60	8.30	1.62	8.61	1.65	8.93	1.68
				16	7.25	1.56	7.55	1.60	7.86	1.63	8.01	1.64	8.17	1.66	8.48	1.69	8.80	1.72
				18	7.12	1.60	7.42	1.64	7.73	1.67	7.88	1.68	8.04	1.70	8.35	1.73	8.68	1.76
				20	6.99	1.65	7.29	1.68	7.60	1.71	7.75	1.73	7.91	1.74	8.23	1.77	8.55	1.81
				21	6.92	1.67	7.22	1.70	7.53	1.73	7.69	1.75	7.84	1.76	8.16	1.79	8.48	1.83
				23	6.79	1.71	7.09	1.74	7.40	1.77	7.56	1.79	7.71	1.81	8.03	1.84	8.35	1.87
				25	6.66	1.75	6.96	1.79	7.27	1.82	7.43	1.83	7.59	1.85	7.90	1.88	8.23	1.92
				27	6.53	1.80	6.83	1.83	7.14	1.86	7.30	1.88	7.46	1.90	7.78	1.93	8.10	1.96
				29	6.40	1.84	6.70	1.87	7.01	1.91	7.17	1.92	7.33	1.94	7.65	1.97	7.97	2.01
				31	6.27	1.89	6.57	1.92	6.89	1.95	7.04	1.97	7.20	1.99	7.52	2.02	7.85	2.05
				33	6.14	1.93	6.45	1.97	6.76	2.00	6.92	2.02	7.07	2.03	7.39	2.07	7.72	2.10
				35	6.01	1.98	6.32	2.01	6.63	2.05	6.80	2.06	6.95	2.08	7.27	2.11	7.59	2.15
				37	5.88	2.03	6.19	2.06	6.50	2.10	6.66	2.11	6.82	2.13	7.14	2.16	7.47	2.20
				39	5.75	2.08	6.06	2.11	6.38	2.14	6.53	2.16	6.69	2.18	7.02	2.21	7.34	2.25
42	5.56	2.15	5.87	2.19	6.19	2.22	6.34	2.24	6.50	2.25	6.83	2.29	7.15	2.32				
44	5.43	2.20	5.74	2.24	6.06	2.27	6.22	2.29	6.38	2.30	6.70	2.34	7.03	2.37				
46	5.31	2.25	5.62	2.29	5.93	2.32	6.09	2.34	6.25	2.36	6.58	2.39	6.91	2.42				

12. Capacity Table

Combination (Capacity Index)			Combination (Total)	Combination (%)	Outdoor Temperature (°C, DB)	Indoor Temperature(°C, WB)													
						14		16		18		19		20		22		24	
						TC(kW)	PI(kW)	TC(kW)	PI(kW)	TC(kW)	PI(kW)	TC(kW)	PI(kW)	TC(kW)	PI(kW)	TC(kW)	PI(kW)	TC(kW)	PI(kW)
2000	2000	2000	6000	88%	10	5.30	1.38	7.48	1.42	7.62	1.45	7.71	1.47	7.80	1.49	8.02	1.52	8.28	1.55
					12	5.30	1.42	7.28	1.45	7.43	1.49	7.52	1.50	7.62	1.52	7.85	1.55	8.11	1.58
					14	5.30	1.45	7.08	1.49	7.24	1.52	7.34	1.54	7.44	1.56	7.68	1.59	7.96	1.62
					16	5.30	1.49	6.89	1.53	7.07	1.56	7.17	1.58	7.28	1.59	7.53	1.62	7.81	1.65
					18	5.30	1.53	6.72	1.56	6.90	1.60	7.00	1.61	7.12	1.63	7.38	1.66	7.68	1.69
					20	5.30	1.57	6.55	1.60	6.74	1.64	6.85	1.65	6.97	1.67	7.24	1.70	7.55	1.73
					21	5.30	1.59	6.46	1.62	6.66	1.66	6.78	1.67	6.90	1.69	7.17	1.72	7.49	1.75
					23	5.30	1.63	6.31	1.66	6.51	1.70	6.63	1.71	6.76	1.73	7.05	1.76	7.37	1.79
					25	5.30	1.67	6.16	1.70	6.38	1.74	6.50	1.75	6.63	1.77	6.93	1.80	7.26	1.83
					27	5.30	1.71	6.02	1.75	6.25	1.78	6.37	1.80	6.51	1.81	6.82	1.84	7.16	1.87
					29	5.30	1.76	5.88	1.79	6.12	1.82	6.26	1.84	6.40	1.85	6.72	1.88	7.07	1.91
					31	5.30	1.80	5.76	1.83	6.01	1.87	6.15	1.88	6.30	1.90	6.62	1.93	6.99	1.96
					33	5.30	1.85	5.64	1.88	5.90	1.91	6.05	1.93	6.20	1.94	6.54	1.97	6.92	2.00
					35	5.30	1.89	5.54	1.93	5.81	1.96	6.00	1.97	6.12	1.99	6.46	2.02	6.85	2.05
					37	5.30	1.94	5.44	1.97	5.72	2.01	5.87	2.02	6.04	2.04	6.39	2.07	6.79	2.10
					39	5.30	1.99	5.34	2.02	5.64	2.06	5.80	2.07	5.97	2.09	6.34	2.12	6.74	2.14
42	5.30	2.07	5.22	2.10	5.53	2.13	5.70	2.15	5.88	2.16	6.26	2.19	6.68	2.22					
44	5.30	2.12	5.15	2.15	5.47	2.18	5.64	2.20	5.83	2.21	6.22	2.24	6.65	2.27					
46	5.30	2.17	5.09	2.20	5.42	2.23	5.60	2.25	5.79	2.26	6.19	2.29	6.63	2.32					
2000	2000	2500	6500	96%	10	5.74	1.41	8.10	1.44	8.26	1.47	8.35	1.49	8.45	1.51	8.69	1.54	8.97	1.57
					12	5.74	1.44	7.88	1.48	8.05	1.51	8.15	1.53	8.25	1.54	8.50	1.57	8.79	1.61
					14	5.74	1.48	7.67	1.51	7.85	1.55	7.95	1.56	8.06	1.58	8.32	1.61	8.62	1.64
					16	5.74	1.51	7.47	1.55	7.66	1.58	7.76	1.60	7.88	1.62	8.15	1.65	8.47	1.68
					18	5.74	1.55	7.28	1.59	7.47	1.62	7.59	1.64	7.71	1.65	7.99	1.69	8.32	1.72
					20	5.74	1.59	7.09	1.63	7.30	1.66	7.42	1.68	7.55	1.69	7.84	1.72	8.18	1.75
					21	5.74	1.61	7.00	1.65	7.22	1.68	7.34	1.70	7.47	1.71	7.77	1.74	8.11	1.77
					23	5.74	1.65	6.83	1.69	7.06	1.72	7.19	1.74	7.33	1.75	7.63	1.78	7.99	1.81
					25	5.74	1.70	6.67	1.73	6.91	1.76	7.04	1.78	7.19	1.80	7.51	1.83	7.87	1.86
					27	5.74	1.74	6.52	1.77	6.77	1.81	6.91	1.82	7.06	1.84	7.39	1.87	7.76	1.90
					29	5.74	1.78	6.37	1.82	6.63	1.85	6.78	1.87	6.93	1.88	7.28	1.91	7.66	1.94
					31	5.74	1.83	6.24	1.86	6.51	1.90	6.66	1.91	6.82	1.93	7.18	1.96	7.57	1.99
					33	5.74	1.87	6.11	1.91	6.40	1.94	6.55	1.96	6.72	1.97	7.08	2.00	7.49	2.03
					35	5.74	1.92	6.00	1.96	6.29	1.99	6.50	2.00	6.63	2.02	7.00	2.05	7.42	2.08
					37	5.74	1.97	5.89	2.00	6.19	2.04	6.36	2.05	6.54	2.07	6.93	2.10	7.36	2.13
					39	5.74	2.02	5.79	2.05	6.11	2.09	6.28	2.10	6.46	2.12	6.86	2.15	7.30	2.18
42	5.74	2.10	5.66	2.13	5.99	2.16	6.17	2.18	6.37	2.19	6.78	2.22	7.24	2.25					
44	5.74	2.15	5.58	2.18	5.93	2.21	6.12	2.23	6.31	2.25	6.74	2.28	7.21	2.30					
46	5.74	2.20	5.52	2.24	5.87	2.27	6.07	2.28	6.27	2.30	6.71	2.33	7.19	2.36					

12. Capacity Table

Combination (Capacity Index)			Combination (Total)	Combination (%)	Outdoor Temperature (°C, DB)	Indoor Temperature(°C, WB)													
						14		16		18		19		20		22		24	
						TC(kW)	PI(kW)	TC(kW)	PI(kW)	TC(kW)	PI(kW)	TC(kW)	PI(kW)	TC(kW)	PI(kW)	TC(kW)	PI(kW)	TC(kW)	PI(kW)
2000	2000	3500	7500	110%	10	6.01	1.45	8.48	1.49	8.64	1.53	8.73	1.54	8.84	1.56	9.09	1.59	9.38	1.63
					12	6.01	1.49	8.25	1.53	8.42	1.56	8.52	1.58	8.63	1.60	8.89	1.63	9.20	1.66
					14	6.01	1.53	8.03	1.56	8.21	1.60	8.32	1.62	8.44	1.63	8.71	1.67	9.02	1.70
					16	6.01	1.57	7.81	1.60	8.01	1.64	8.12	1.66	8.25	1.67	8.53	1.71	8.86	1.74
					18	6.01	1.61	7.61	1.64	7.82	1.68	7.94	1.70	8.07	1.71	8.36	1.74	8.70	1.78
					20	6.01	1.65	7.42	1.68	7.64	1.72	7.76	1.74	7.90	1.75	8.21	1.78	8.56	1.82
					21	6.01	1.67	7.33	1.70	7.55	1.74	7.68	1.76	7.82	1.77	8.13	1.81	8.49	1.84
					23	6.01	1.71	7.15	1.75	7.38	1.78	7.52	1.80	7.66	1.82	7.99	1.85	8.35	1.88
					25	6.01	1.75	6.98	1.79	7.23	1.83	7.37	1.84	7.52	1.86	7.85	1.89	8.23	1.92
					27	6.01	1.80	6.82	1.84	7.08	1.87	7.22	1.89	7.38	1.90	7.73	1.93	8.12	1.97
					29	6.01	1.85	6.67	1.88	6.94	1.92	7.09	1.93	7.25	1.95	7.61	1.98	8.02	2.01
					31	6.01	1.89	6.53	1.93	6.81	1.96	6.97	1.98	7.14	1.99	7.51	2.03	7.92	2.06
					33	6.01	1.94	6.40	1.98	6.69	2.01	6.85	2.03	7.03	2.04	7.41	2.07	7.84	2.10
					35	6.01	1.99	6.27	2.02	6.58	2.06	6.80	2.07	6.93	2.09	7.32	2.12	7.76	2.15
					37	6.01	2.04	6.16	2.07	6.48	2.11	6.66	2.12	6.84	2.14	7.25	2.17	7.70	2.20
					39	6.01	2.09	6.06	2.13	6.39	2.16	6.57	2.18	6.76	2.19	7.18	2.22	7.64	2.25
42	6.01	2.17	5.92	2.21	6.27	2.24	6.46	2.25	6.66	2.27	7.10	2.30	7.57	2.33					
44	6.01	2.22	5.84	2.26	6.20	2.29	6.40	2.31	6.60	2.32	7.05	2.35	7.54	2.38					
46	6.01	2.28	5.77	2.31	6.14	2.35	6.35	2.36	6.56	2.38	7.02	2.41	7.52	2.44					
2000	2000	5000	9000	132%	10	7.65	1.40	7.95	1.43	8.25	1.46	8.41	1.48	8.56	1.49	8.87	1.52	9.19	1.55
					12	7.51	1.44	7.81	1.47	8.12	1.50	8.27	1.52	8.43	1.53	8.74	1.56	9.06	1.59
					14	7.38	1.48	7.68	1.51	7.99	1.54	8.14	1.55	8.30	1.57	8.61	1.60	8.93	1.63
					16	7.25	1.52	7.55	1.55	7.86	1.58	8.01	1.59	8.17	1.61	8.48	1.64	8.80	1.67
					18	7.12	1.56	7.42	1.59	7.73	1.62	7.88	1.63	8.04	1.65	8.35	1.68	8.68	1.71
					20	6.99	1.60	7.29	1.63	7.60	1.66	7.75	1.68	7.91	1.69	8.23	1.72	8.55	1.75
					21	6.92	1.62	7.22	1.65	7.53	1.68	7.69	1.70	7.84	1.71	8.16	1.74	8.48	1.77
					23	6.79	1.66	7.09	1.69	7.40	1.72	7.56	1.74	7.71	1.75	8.03	1.78	8.35	1.82
					25	6.66	1.70	6.96	1.73	7.27	1.76	7.43	1.78	7.59	1.80	7.90	1.83	8.23	1.86
					27	6.53	1.74	6.83	1.78	7.14	1.81	7.30	1.82	7.46	1.84	7.78	1.87	8.10	1.90
					29	6.40	1.79	6.70	1.82	7.01	1.85	7.17	1.87	7.33	1.88	7.65	1.92	7.97	1.95
					31	6.27	1.83	6.57	1.86	6.89	1.90	7.04	1.91	7.20	1.93	7.52	1.96	7.85	1.99
					33	6.14	1.88	6.45	1.91	6.76	1.94	6.92	1.96	7.07	1.97	7.39	2.01	7.72	2.04
					35	6.01	1.92	6.32	1.96	6.63	1.99	6.80	2.00	6.95	2.02	7.27	2.05	7.59	2.09
					37	5.88	1.97	6.19	2.00	6.50	2.03	6.66	2.05	6.82	2.07	7.14	2.10	7.47	2.13
					39	5.75	2.02	6.06	2.05	6.38	2.08	6.53	2.10	6.69	2.12	7.02	2.15	7.34	2.18
42	5.56	2.09	5.87	2.12	6.19	2.15	6.34	2.17	6.50	2.19	6.83	2.22	7.15	2.25					
44	5.43	2.14	5.74	2.17	6.06	2.20	6.22	2.22	6.38	2.24	6.70	2.27	7.03	2.30					
46	5.31	2.19	5.62	2.22	5.93	2.25	6.09	2.27	6.25	2.29	6.58	2.32	6.91	2.35					

12. Capacity Table

Combination (Capacity Index)			Combination (Total)	Combination (%)	Outdoor Temperature (°C, DB)	Indoor Temperature(°C, WB)													
						14		16		18		19		20		22		24	
						TC(kW)	PI(kW)	TC(kW)	PI(kW)	TC(kW)	PI(kW)	TC(kW)	PI(kW)	TC(kW)	PI(kW)	TC(kW)	PI(kW)	TC(kW)	PI(kW)
2000	2500	2500	7000	103%	10	5.74	1.43	8.10	1.46	8.26	1.50	8.35	1.51	8.45	1.53	8.69	1.56	8.97	1.59
					12	5.74	1.46	7.88	1.50	8.05	1.53	8.15	1.55	8.25	1.57	8.50	1.60	8.79	1.63
					14	5.74	1.50	7.67	1.53	7.85	1.57	7.95	1.59	8.06	1.60	8.32	1.63	8.62	1.67
					16	5.74	1.54	7.47	1.57	7.66	1.61	7.76	1.62	7.88	1.64	8.15	1.67	8.47	1.70
					18	5.74	1.58	7.28	1.61	7.47	1.65	7.59	1.66	7.71	1.68	7.99	1.71	8.32	1.74
					20	5.74	1.62	7.09	1.65	7.30	1.69	7.42	1.70	7.55	1.72	7.84	1.75	8.18	1.78
					21	5.74	1.64	7.00	1.67	7.22	1.71	7.34	1.72	7.47	1.74	7.77	1.77	8.11	1.80
					23	5.74	1.68	6.83	1.71	7.06	1.75	7.19	1.76	7.33	1.78	7.63	1.81	7.99	1.84
					25	5.74	1.72	6.67	1.76	6.91	1.79	7.04	1.81	7.19	1.82	7.51	1.85	7.87	1.88
					27	5.74	1.76	6.52	1.80	6.77	1.83	6.91	1.85	7.06	1.87	7.39	1.90	7.76	1.93
					29	5.74	1.81	6.37	1.84	6.63	1.88	6.78	1.89	6.93	1.91	7.28	1.94	7.66	1.97
					31	5.74	1.86	6.24	1.89	6.51	1.92	6.66	1.94	6.82	1.96	7.18	1.99	7.57	2.02
					33	5.74	1.90	6.11	1.94	6.40	1.97	6.55	1.99	6.72	2.00	7.08	2.03	7.49	2.06
					35	5.74	1.95	6.00	1.99	6.29	2.02	6.50	2.03	6.63	2.05	7.00	2.08	7.42	2.11
					37	5.74	2.00	5.89	2.03	6.19	2.07	6.36	2.08	6.54	2.10	6.93	2.13	7.36	2.16
					39	5.74	2.05	5.79	2.09	6.11	2.12	6.28	2.13	6.46	2.15	6.86	2.18	7.30	2.21
42	5.74	2.13	5.66	2.16	5.99	2.20	6.17	2.21	6.37	2.23	6.78	2.26	7.24	2.29					
44	5.74	2.18	5.58	2.22	5.93	2.25	6.12	2.26	6.31	2.28	6.74	2.31	7.21	2.34					
46	5.74	2.24	5.52	2.27	5.87	2.30	6.07	2.32	6.27	2.33	6.71	2.36	7.19	2.39					
2000	2500	3500	8000	118%	10	7.65	1.47	7.95	1.50	8.25	1.53	8.41	1.54	8.56	1.56	8.87	1.59	9.19	1.62
					12	7.51	1.51	7.81	1.54	8.12	1.57	8.27	1.58	8.43	1.60	8.74	1.63	9.06	1.66
					14	7.38	1.55	7.68	1.58	7.99	1.61	8.14	1.62	8.30	1.64	8.61	1.67	8.93	1.70
					16	7.25	1.59	7.55	1.62	7.86	1.65	8.01	1.67	8.17	1.68	8.48	1.71	8.80	1.75
					18	7.12	1.63	7.42	1.66	7.73	1.69	7.88	1.71	8.04	1.72	8.35	1.76	8.68	1.79
					20	6.99	1.67	7.29	1.70	7.60	1.73	7.75	1.75	7.91	1.77	8.23	1.80	8.55	1.83
					21	6.92	1.69	7.22	1.72	7.53	1.76	7.69	1.77	7.84	1.79	8.16	1.82	8.48	1.85
					23	6.79	1.73	7.09	1.77	7.40	1.80	7.56	1.82	7.71	1.83	8.03	1.87	8.35	1.90
					25	6.66	1.78	6.96	1.81	7.27	1.84	7.43	1.86	7.59	1.88	7.90	1.91	8.23	1.94
					27	6.53	1.82	6.83	1.86	7.14	1.89	7.30	1.91	7.46	1.92	7.78	1.96	8.10	1.99
					29	6.40	1.87	6.70	1.90	7.01	1.94	7.17	1.95	7.33	1.97	7.65	2.00	7.97	2.04
					31	6.27	1.92	6.57	1.95	6.89	1.98	7.04	2.00	7.20	2.02	7.52	2.05	7.85	2.08
					33	6.14	1.96	6.45	2.00	6.76	2.03	6.92	2.05	7.07	2.06	7.39	2.10	7.72	2.13
					35	6.01	2.01	6.32	2.04	6.63	2.08	6.80	2.09	6.95	2.11	7.27	2.15	7.59	2.18
					37	5.88	2.06	6.19	2.09	6.50	2.13	6.66	2.14	6.82	2.16	7.14	2.19	7.47	2.23
					39	5.75	2.11	6.06	2.14	6.38	2.18	6.53	2.19	6.69	2.21	7.02	2.24	7.34	2.28
42	5.56	2.18	5.87	2.22	6.19	2.25	6.34	2.27	6.50	2.29	6.83	2.32	7.15	2.36					
44	5.43	2.23	5.74	2.27	6.06	2.30	6.22	2.32	6.38	2.34	6.70	2.37	7.03	2.41					
46	5.31	2.29	5.62	2.32	5.93	2.36	6.09	2.37	6.25	2.39	6.58	2.43	6.91	2.46					

12. Capacity Table

Combination (Capacity Index)			Combination (Total)	Combination (%)	Outdoor Temperature (°C, DB)	Indoor Temperature(°C, WB)													
						14		16		18		19		20		22		24	
						TC(kW)	PI(kW)	TC(kW)	PI(kW)	TC(kW)	PI(kW)	TC(kW)	PI(kW)	TC(kW)	PI(kW)	TC(kW)	PI(kW)	TC(kW)	PI(kW)
2000	2500	5000	9500	140%	10	7.65	1.41	7.95	1.44	8.25	1.47	8.41	1.49	8.56	1.50	8.87	1.53	9.19	1.56
					12	7.51	1.45	7.81	1.48	8.12	1.51	8.27	1.52	8.43	1.54	8.74	1.57	9.06	1.60
					14	7.38	1.49	7.68	1.52	7.99	1.55	8.14	1.56	8.30	1.58	8.61	1.61	8.93	1.64
					16	7.25	1.53	7.55	1.56	7.86	1.59	8.01	1.60	8.17	1.62	8.48	1.65	8.80	1.68
					18	7.12	1.57	7.42	1.60	7.73	1.63	7.88	1.64	8.04	1.66	8.35	1.69	8.68	1.72
					20	6.99	1.61	7.29	1.64	7.60	1.67	7.75	1.68	7.91	1.70	8.23	1.73	8.55	1.76
					21	6.92	1.63	7.22	1.66	7.53	1.69	7.69	1.70	7.84	1.72	8.16	1.75	8.48	1.78
					23	6.79	1.67	7.09	1.70	7.40	1.73	7.56	1.75	7.71	1.76	8.03	1.79	8.35	1.83
					25	6.66	1.71	6.96	1.74	7.27	1.77	7.43	1.79	7.59	1.81	7.90	1.84	8.23	1.87
					27	6.53	1.75	6.83	1.79	7.14	1.82	7.30	1.83	7.46	1.85	7.78	1.88	8.10	1.91
					29	6.40	1.80	6.70	1.83	7.01	1.86	7.17	1.88	7.33	1.89	7.65	1.93	7.97	1.96
					31	6.27	1.84	6.57	1.87	6.89	1.91	7.04	1.92	7.20	1.94	7.52	1.97	7.85	2.00
					33	6.14	1.89	6.45	1.92	6.76	1.95	6.92	1.97	7.07	1.98	7.39	2.02	7.72	2.05
					35	6.01	1.93	6.32	1.97	6.63	2.00	6.80	2.01	6.95	2.03	7.27	2.06	7.59	2.10
					37	5.88	1.98	6.19	2.01	6.50	2.04	6.66	2.06	6.82	2.08	7.14	2.11	7.47	2.14
					39	5.75	2.03	6.06	2.06	6.38	2.09	6.53	2.11	6.69	2.13	7.02	2.16	7.34	2.19
42	5.56	2.10	5.87	2.13	6.19	2.17	6.34	2.18	6.50	2.20	6.83	2.23	7.15	2.27					
44	5.43	2.15	5.74	2.18	6.06	2.21	6.22	2.23	6.38	2.25	6.70	2.28	7.03	2.32					
46	5.31	2.20	5.62	2.23	5.93	2.26	6.09	2.28	6.25	2.30	6.58	2.33	6.91	2.37					
2000	2500	2500	7000	103%	10	7.65	1.41	7.95	1.44	8.25	1.47	8.41	1.49	8.56	1.50	8.87	1.53	9.19	1.56
					12	7.51	1.45	7.81	1.48	8.12	1.51	8.27	1.52	8.43	1.54	8.74	1.57	9.06	1.60
					14	7.38	1.49	7.68	1.52	7.99	1.55	8.14	1.56	8.30	1.58	8.61	1.61	8.93	1.64
					16	7.25	1.53	7.55	1.56	7.86	1.59	8.01	1.60	8.17	1.62	8.48	1.65	8.80	1.68
					18	7.12	1.57	7.42	1.60	7.73	1.63	7.88	1.64	8.04	1.66	8.35	1.69	8.68	1.72
					20	6.99	1.61	7.29	1.64	7.60	1.67	7.75	1.68	7.91	1.70	8.23	1.73	8.55	1.76
					21	6.92	1.63	7.22	1.66	7.53	1.69	7.69	1.70	7.84	1.72	8.16	1.75	8.48	1.78
					23	6.79	1.67	7.09	1.70	7.40	1.73	7.56	1.75	7.71	1.76	8.03	1.79	8.35	1.83
					25	6.66	1.71	6.96	1.74	7.27	1.77	7.43	1.79	7.59	1.81	7.90	1.84	8.23	1.87
					27	6.53	1.75	6.83	1.79	7.14	1.82	7.30	1.83	7.46	1.85	7.78	1.88	8.10	1.91
					29	6.40	1.80	6.70	1.83	7.01	1.86	7.17	1.88	7.33	1.89	7.65	1.93	7.97	1.96
					31	6.27	1.84	6.57	1.87	6.89	1.91	7.04	1.92	7.20	1.94	7.52	1.97	7.85	2.00
					33	6.14	1.89	6.45	1.92	6.76	1.95	6.92	1.97	7.07	1.98	7.39	2.02	7.72	2.05
					35	6.01	1.93	6.32	1.97	6.63	2.00	6.80	2.01	6.95	2.03	7.27	2.06	7.59	2.10
					37	5.88	1.98	6.19	2.01	6.50	2.04	6.66	2.06	6.82	2.08	7.14	2.11	7.47	2.14
					39	5.75	2.03	6.06	2.06	6.38	2.09	6.53	2.11	6.69	2.13	7.02	2.16	7.34	2.19
42	5.56	2.10	5.87	2.13	6.19	2.17	6.34	2.18	6.50	2.20	6.83	2.23	7.15	2.27					
44	5.43	2.15	5.74	2.18	6.06	2.21	6.22	2.23	6.38	2.25	6.70	2.28	7.03	2.32					
46	5.31	2.20	5.62	2.23	5.93	2.26	6.09	2.28	6.25	2.30	6.58	2.33	6.91	2.37					

12. Capacity Table

Combination (Capacity Index)			Combination (Total)	Combination (%)	Outdoor Temperature (°C, DB)	Indoor Temperature(°C, WB)													
						14		16		18		19		20		22		24	
						TC(kW)	PI(kW)	TC(kW)	PI(kW)	TC(kW)	PI(kW)	TC(kW)	PI(kW)	TC(kW)	PI(kW)	TC(kW)	PI(kW)	TC(kW)	PI(kW)
2000	2500	3500	8000	118%	10	7.65	1.44	7.95	1.47	8.25	1.50	8.41	1.52	8.56	1.53	8.87	1.56	9.19	1.59
					12	7.51	1.48	7.81	1.51	8.12	1.54	8.27	1.55	8.43	1.57	8.74	1.60	9.06	1.63
					14	7.38	1.52	7.68	1.55	7.99	1.58	8.14	1.59	8.30	1.61	8.61	1.64	8.93	1.67
					16	7.25	1.56	7.55	1.59	7.86	1.62	8.01	1.63	8.17	1.65	8.48	1.68	8.80	1.71
					18	7.12	1.60	7.42	1.63	7.73	1.66	7.88	1.68	8.04	1.69	8.35	1.72	8.68	1.75
					20	6.99	1.64	7.29	1.67	7.60	1.70	7.75	1.72	7.91	1.73	8.23	1.76	8.55	1.80
					21	6.92	1.66	7.22	1.69	7.53	1.72	7.69	1.74	7.84	1.75	8.16	1.79	8.48	1.82
					23	6.79	1.70	7.09	1.73	7.40	1.77	7.56	1.78	7.71	1.80	8.03	1.83	8.35	1.86
					25	6.66	1.74	6.96	1.78	7.27	1.81	7.43	1.83	7.59	1.84	7.90	1.87	8.23	1.91
					27	6.53	1.79	6.83	1.82	7.14	1.85	7.30	1.87	7.46	1.89	7.78	1.92	8.10	1.95
					29	6.40	1.83	6.70	1.87	7.01	1.90	7.17	1.91	7.33	1.93	7.65	1.96	7.97	2.00
					31	6.27	1.88	6.57	1.91	6.89	1.94	7.04	1.96	7.20	1.98	7.52	2.01	7.85	2.04
					33	6.14	1.92	6.45	1.96	6.76	1.99	6.92	2.01	7.07	2.02	7.39	2.06	7.72	2.09
					35	6.01	1.97	6.32	2.00	6.63	2.04	6.80	2.05	6.95	2.07	7.27	2.10	7.59	2.14
					37	5.88	2.02	6.19	2.05	6.50	2.09	6.66	2.10	6.82	2.12	7.14	2.15	7.47	2.19
					39	5.75	2.07	6.06	2.10	6.38	2.13	6.53	2.15	6.69	2.17	7.02	2.20	7.34	2.24
42	5.56	2.14	5.87	2.17	6.19	2.21	6.34	2.23	6.50	2.24	6.83	2.28	7.15	2.31					
44	5.43	2.19	5.74	2.22	6.06	2.26	6.22	2.28	6.38	2.29	6.70	2.33	7.03	2.36					
46	5.31	2.24	5.62	2.28	5.93	2.31	6.09	2.33	6.25	2.34	6.58	2.38	6.91	2.41					
2000	2500	5000	9500	140%	10	7.65	1.45	7.95	1.48	8.25	1.51	8.41	1.52	8.56	1.54	8.87	1.57	9.19	1.60
					12	7.51	1.48	7.81	1.52	8.12	1.55	8.27	1.56	8.43	1.58	8.74	1.61	9.06	1.64
					14	7.38	1.52	7.68	1.55	7.99	1.59	8.14	1.60	8.30	1.62	8.61	1.65	8.93	1.68
					16	7.25	1.56	7.55	1.60	7.86	1.63	8.01	1.64	8.17	1.66	8.48	1.69	8.80	1.72
					18	7.12	1.60	7.42	1.64	7.73	1.67	7.88	1.68	8.04	1.70	8.35	1.73	8.68	1.76
					20	6.99	1.65	7.29	1.68	7.60	1.71	7.75	1.73	7.91	1.74	8.23	1.77	8.55	1.81
					21	6.92	1.67	7.22	1.70	7.53	1.73	7.69	1.75	7.84	1.76	8.16	1.79	8.48	1.83
					23	6.79	1.71	7.09	1.74	7.40	1.77	7.56	1.79	7.71	1.81	8.03	1.84	8.35	1.87
					25	6.66	1.75	6.96	1.79	7.27	1.82	7.43	1.83	7.59	1.85	7.90	1.88	8.23	1.92
					27	6.53	1.80	6.83	1.83	7.14	1.86	7.30	1.88	7.46	1.90	7.78	1.93	8.10	1.96
					29	6.40	1.84	6.70	1.87	7.01	1.91	7.17	1.92	7.33	1.94	7.65	1.97	7.97	2.01
					31	6.27	1.89	6.57	1.92	6.89	1.95	7.04	1.97	7.20	1.99	7.52	2.02	7.85	2.05
					33	6.14	1.93	6.45	1.97	6.76	2.00	6.92	2.02	7.07	2.03	7.39	2.07	7.72	2.10
					35	6.01	1.98	6.32	2.01	6.63	2.05	6.80	2.06	6.95	2.08	7.27	2.11	7.59	2.15
					37	5.88	2.03	6.19	2.06	6.50	2.10	6.66	2.11	6.82	2.13	7.14	2.16	7.47	2.20
					39	5.75	2.08	6.06	2.11	6.38	2.14	6.53	2.16	6.69	2.18	7.02	2.21	7.34	2.25
42	5.56	2.15	5.87	2.19	6.19	2.22	6.34	2.24	6.50	2.25	6.83	2.29	7.15	2.32					
44	5.43	2.20	5.74	2.24	6.06	2.27	6.22	2.29	6.38	2.30	6.70	2.34	7.03	2.37					
46	5.31	2.25	5.62	2.29	5.93	2.32	6.09	2.34	6.25	2.36	6.58	2.39	6.91	2.42					

12. Capacity Table

Combination (Capacity Index)			Combination (Total)	Combination (%)	Outdoor Temperature (°C,DB)	Indoor Temperature(°C, WB)													
						14		16		18		19		20		22		24	
						TC(kW)	PI(kW)	TC(kW)	PI(kW)	TC(kW)	PI(kW)	TC(kW)	PI(kW)	TC(kW)	PI(kW)	TC(kW)	PI(kW)	TC(kW)	PI(kW)
2000	3500	3500	9000	132%	10	7.65	1.49	7.95	1.53	8.25	1.56	8.41	1.57	8.56	1.59	8.87	1.62	9.19	1.65
					12	7.51	1.53	7.81	1.57	8.12	1.60	8.27	1.61	8.43	1.63	8.74	1.66	9.06	1.69
					14	7.38	1.58	7.68	1.61	7.99	1.64	8.14	1.66	8.30	1.67	8.61	1.70	8.93	1.74
					16	7.25	1.62	7.55	1.65	7.86	1.68	8.01	1.70	8.17	1.71	8.48	1.75	8.80	1.78
					18	7.12	1.66	7.42	1.69	7.73	1.72	7.88	1.74	8.04	1.76	8.35	1.79	8.68	1.82
					20	6.99	1.70	7.29	1.73	7.60	1.77	7.75	1.78	7.91	1.80	8.23	1.83	8.55	1.87
					21	6.92	1.72	7.22	1.76	7.53	1.79	7.69	1.81	7.84	1.82	8.16	1.86	8.48	1.89
					23	6.79	1.77	7.09	1.80	7.40	1.83	7.56	1.85	7.71	1.87	8.03	1.90	8.35	1.93
					25	6.66	1.81	6.96	1.85	7.27	1.88	7.43	1.90	7.59	1.91	7.90	1.95	8.23	1.98
					27	6.53	1.86	6.83	1.89	7.14	1.93	7.30	1.94	7.46	1.96	7.78	1.99	8.10	2.03
					29	6.40	1.90	6.70	1.94	7.01	1.97	7.17	1.99	7.33	2.01	7.65	2.04	7.97	2.07
					31	6.27	1.95	6.57	1.99	6.89	2.02	7.04	2.04	7.20	2.05	7.52	2.09	7.85	2.12
					33	6.14	2.00	6.45	2.03	6.76	2.07	6.92	2.09	7.07	2.10	7.39	2.14	7.72	2.17
					35	6.01	2.05	6.32	2.08	6.63	2.12	6.80	2.13	6.95	2.15	7.27	2.19	7.59	2.22
					37	5.88	2.10	6.19	2.13	6.50	2.17	6.66	2.18	6.82	2.20	7.14	2.24	7.47	2.27
					39	5.75	2.15	6.06	2.18	6.38	2.22	6.53	2.24	6.69	2.25	7.02	2.29	7.34	2.32
42	5.56	2.22	5.87	2.26	6.19	2.29	6.34	2.31	6.50	2.33	6.83	2.37	7.15	2.40					
44	5.43	2.28	5.74	2.31	6.06	2.35	6.22	2.36	6.38	2.38	6.70	2.42	7.03	2.45					
46	5.31	2.33	5.62	2.36	5.93	2.40	6.09	2.42	6.25	2.44	6.58	2.47	6.91	2.51					
2000	3500	5000	10500	154%	10	7.65	1.42	7.95	1.45	8.25	1.49	8.41	1.50	8.56	1.52	8.87	1.55	9.19	1.58
					12	7.51	1.46	7.81	1.49	8.12	1.52	8.27	1.54	8.43	1.55	8.74	1.58	9.06	1.62
					14	7.38	1.50	7.68	1.53	7.99	1.56	8.14	1.58	8.30	1.59	8.61	1.62	8.93	1.66
					16	7.25	1.54	7.55	1.57	7.86	1.60	8.01	1.62	8.17	1.63	8.48	1.66	8.80	1.70
					18	7.12	1.58	7.42	1.61	7.73	1.64	7.88	1.66	8.04	1.67	8.35	1.71	8.68	1.74
					20	6.99	1.62	7.29	1.65	7.60	1.68	7.75	1.70	7.91	1.72	8.23	1.75	8.55	1.78
					21	6.92	1.64	7.22	1.67	7.53	1.71	7.69	1.72	7.84	1.74	8.16	1.77	8.48	1.80
					23	6.79	1.68	7.09	1.72	7.40	1.75	7.56	1.76	7.71	1.78	8.03	1.81	8.35	1.84
					25	6.66	1.73	6.96	1.76	7.27	1.79	7.43	1.81	7.59	1.82	7.90	1.86	8.23	1.89
					27	6.53	1.77	6.83	1.80	7.14	1.84	7.30	1.85	7.46	1.87	7.78	1.90	8.10	1.93
					29	6.40	1.82	6.70	1.85	7.01	1.88	7.17	1.90	7.33	1.91	7.65	1.94	7.97	1.98
					31	6.27	1.86	6.57	1.89	6.89	1.93	7.04	1.94	7.20	1.96	7.52	1.99	7.85	2.02
					33	6.14	1.91	6.45	1.94	6.76	1.97	6.92	1.99	7.07	2.00	7.39	2.04	7.72	2.07
					35	6.01	1.95	6.32	1.98	6.63	2.02	6.80	2.03	6.95	2.05	7.27	2.08	7.59	2.12
					37	5.88	2.00	6.19	2.03	6.50	2.07	6.66	2.08	6.82	2.10	7.14	2.13	7.47	2.16
					39	5.75	2.05	6.06	2.08	6.38	2.11	6.53	2.13	6.69	2.15	7.02	2.18	7.34	2.21
42	5.56	2.12	5.87	2.15	6.19	2.19	6.34	2.20	6.50	2.22	6.83	2.25	7.15	2.29					
44	5.43	2.17	5.74	2.20	6.06	2.24	6.22	2.25	6.38	2.27	6.70	2.30	7.03	2.34					
46	5.31	2.22	5.62	2.25	5.93	2.29	6.09	2.30	6.25	2.32	6.58	2.36	6.91	2.39					

12. Capacity Table

Combination (Capacity Index)			Combination (Total)	Combination (%)	Outdoor Temperature (°C, DB)	Indoor Temperature(°C, WB)													
						14		16		18		19		20		22		24	
						TC(kW)	PI(kW)	TC(kW)	PI(kW)	TC(kW)	PI(kW)	TC(kW)	PI(kW)	TC(kW)	PI(kW)	TC(kW)	PI(kW)	TC(kW)	PI(kW)
2500	2500	2500	7500	110%	10	7.65	1.42	7.95	1.45	8.25	1.48	8.41	1.49	8.56	1.51	8.87	1.54	9.19	1.57
					12	7.51	1.46	7.81	1.49	8.12	1.52	8.27	1.53	8.43	1.55	8.74	1.58	9.06	1.61
					14	7.38	1.49	7.68	1.52	7.99	1.56	8.14	1.57	8.30	1.59	8.61	1.62	8.93	1.65
					16	7.25	1.53	7.55	1.56	7.86	1.59	8.01	1.61	8.17	1.63	8.48	1.66	8.80	1.69
					18	7.12	1.57	7.42	1.60	7.73	1.64	7.88	1.65	8.04	1.67	8.35	1.70	8.68	1.73
					20	6.99	1.61	7.29	1.65	7.60	1.68	7.75	1.69	7.91	1.71	8.23	1.74	8.55	1.77
					21	6.92	1.63	7.22	1.67	7.53	1.70	7.69	1.71	7.84	1.73	8.16	1.76	8.48	1.79
					23	6.79	1.68	7.09	1.71	7.40	1.74	7.56	1.76	7.71	1.77	8.03	1.80	8.35	1.83
					25	6.66	1.72	6.96	1.75	7.27	1.78	7.43	1.80	7.59	1.81	7.90	1.85	8.23	1.88
					27	6.53	1.76	6.83	1.79	7.14	1.83	7.30	1.84	7.46	1.86	7.78	1.89	8.10	1.92
					29	6.40	1.81	6.70	1.84	7.01	1.87	7.17	1.89	7.33	1.90	7.65	1.93	7.97	1.97
					31	6.27	1.85	6.57	1.88	6.89	1.92	7.04	1.93	7.20	1.95	7.52	1.98	7.85	2.01
					33	6.14	1.90	6.45	1.93	6.76	1.96	6.92	1.98	7.07	1.99	7.39	2.03	7.72	2.06
					35	6.01	1.94	6.32	1.98	6.63	2.01	6.80	2.02	6.95	2.04	7.27	2.07	7.59	2.11
					37	5.88	1.99	6.19	2.02	6.50	2.06	6.66	2.07	6.82	2.09	7.14	2.12	7.47	2.15
					39	5.75	2.04	6.06	2.07	6.38	2.10	6.53	2.12	6.69	2.14	7.02	2.17	7.34	2.20
42	5.56	2.11	5.87	2.14	6.19	2.18	6.34	2.19	6.50	2.21	6.83	2.24	7.15	2.28					
44	5.43	2.16	5.74	2.19	6.06	2.23	6.22	2.24	6.38	2.26	6.70	2.29	7.03	2.33					
46	5.31	2.21	5.62	2.24	5.93	2.28	6.09	2.29	6.25	2.31	6.58	2.34	6.91	2.38					
2500	2500	3500	8500	125%	10	7.65	1.45	7.95	1.48	8.25	1.51	8.41	1.53	8.56	1.55	8.87	1.58	9.19	1.61
					12	7.51	1.49	7.81	1.52	8.12	1.55	8.27	1.57	8.43	1.58	8.74	1.62	9.06	1.65
					14	7.38	1.53	7.68	1.56	7.99	1.59	8.14	1.61	8.30	1.63	8.61	1.66	8.93	1.69
					16	7.25	1.57	7.55	1.60	7.86	1.63	8.01	1.65	8.17	1.67	8.48	1.70	8.80	1.73
					18	7.12	1.61	7.42	1.64	7.73	1.68	7.88	1.69	8.04	1.71	8.35	1.74	8.68	1.77
					20	6.99	1.65	7.29	1.69	7.60	1.72	7.75	1.73	7.91	1.75	8.23	1.78	8.55	1.81
					21	6.92	1.68	7.22	1.71	7.53	1.74	7.69	1.76	7.84	1.77	8.16	1.80	8.48	1.84
					23	6.79	1.72	7.09	1.75	7.40	1.78	7.56	1.80	7.71	1.82	8.03	1.85	8.35	1.88
					25	6.66	1.76	6.96	1.79	7.27	1.83	7.43	1.84	7.59	1.86	7.90	1.89	8.23	1.92
					27	6.53	1.81	6.83	1.84	7.14	1.87	7.30	1.89	7.46	1.90	7.78	1.94	8.10	1.97
					29	6.40	1.85	6.70	1.88	7.01	1.92	7.17	1.93	7.33	1.95	7.65	1.98	7.97	2.02
					31	6.27	1.90	6.57	1.93	6.89	1.96	7.04	1.98	7.20	2.00	7.52	2.03	7.85	2.06
					33	6.14	1.94	6.45	1.98	6.76	2.01	6.92	2.03	7.07	2.04	7.39	2.08	7.72	2.11
					35	6.01	1.99	6.32	2.02	6.63	2.06	6.80	2.07	6.95	2.09	7.27	2.12	7.59	2.16
					37	5.88	2.04	6.19	2.07	6.50	2.11	6.66	2.12	6.82	2.14	7.14	2.17	7.47	2.21
					39	5.75	2.09	6.06	2.12	6.38	2.16	6.53	2.17	6.69	2.19	7.02	2.22	7.34	2.26
42	5.56	2.16	5.87	2.20	6.19	2.23	6.34	2.25	6.50	2.26	6.83	2.30	7.15	2.33					
44	5.43	2.21	5.74	2.25	6.06	2.28	6.22	2.30	6.38	2.32	6.70	2.35	7.03	2.38					
46	5.31	2.26	5.62	2.30	5.93	2.33	6.09	2.35	6.25	2.37	6.58	2.40	6.91	2.44					

12. Capacity Table

Combination (Capacity Index)			Combination (Total)	Combination (%)	Outdoor Temperature (°C,DB)	Indoor Temperature(°C, WB)													
						14		16		18		19		20		22		24	
						TC(kW)	PI(kW)	TC(kW)	PI(kW)	TC(kW)	PI(kW)	TC(kW)	PI(kW)	TC(kW)	PI(kW)	TC(kW)	PI(kW)	TC(kW)	PI(kW)
2500	2500	5000	10000	147%	10	7.65	1.40	7.95	1.43	8.25	1.46	8.41	1.48	8.56	1.49	8.87	1.52	9.19	1.55
					12	7.51	1.44	7.81	1.47	8.12	1.50	8.27	1.52	8.43	1.53	8.74	1.56	9.06	1.59
					14	7.38	1.48	7.68	1.51	7.99	1.54	8.14	1.55	8.30	1.57	8.61	1.60	8.93	1.63
					16	7.25	1.52	7.55	1.55	7.86	1.58	8.01	1.59	8.17	1.61	8.48	1.64	8.80	1.67
					18	7.12	1.56	7.42	1.59	7.73	1.62	7.88	1.63	8.04	1.65	8.35	1.68	8.68	1.71
					20	6.99	1.60	7.29	1.63	7.60	1.66	7.75	1.68	7.91	1.69	8.23	1.72	8.55	1.75
					21	6.92	1.62	7.22	1.65	7.53	1.68	7.69	1.70	7.84	1.71	8.16	1.74	8.48	1.77
					23	6.79	1.66	7.09	1.69	7.40	1.72	7.56	1.74	7.71	1.75	8.03	1.78	8.35	1.82
					25	6.66	1.70	6.96	1.73	7.27	1.76	7.43	1.78	7.59	1.80	7.90	1.83	8.23	1.86
					27	6.53	1.74	6.83	1.78	7.14	1.81	7.30	1.82	7.46	1.84	7.78	1.87	8.10	1.90
					29	6.40	1.79	6.70	1.82	7.01	1.85	7.17	1.87	7.33	1.88	7.65	1.92	7.97	1.95
					31	6.27	1.83	6.57	1.86	6.89	1.90	7.04	1.91	7.20	1.93	7.52	1.96	7.85	1.99
					33	6.14	1.88	6.45	1.91	6.76	1.94	6.92	1.96	7.07	1.97	7.39	2.01	7.72	2.04
					35	6.01	1.92	6.32	1.96	6.63	1.99	6.80	2.00	6.95	2.02	7.27	2.05	7.59	2.09
					37	5.88	1.97	6.19	2.00	6.50	2.03	6.66	2.05	6.82	2.07	7.14	2.10	7.47	2.13
					39	5.75	2.02	6.06	2.05	6.38	2.08	6.53	2.10	6.69	2.12	7.02	2.15	7.34	2.18
42	5.56	2.09	5.87	2.12	6.19	2.15	6.34	2.17	6.50	2.19	6.83	2.22	7.15	2.25					
44	5.43	2.14	5.74	2.17	6.06	2.20	6.22	2.22	6.38	2.24	6.70	2.27	7.03	2.30					
46	5.31	2.19	5.62	2.22	5.93	2.25	6.09	2.27	6.25	2.29	6.58	2.32	6.91	2.35					
2500	3500	3500	9500	140%	10	7.65	1.45	7.95	1.48	8.25	1.51	8.41	1.52	8.56	1.54	8.87	1.57	9.19	1.60
					12	7.51	1.48	7.81	1.52	8.12	1.55	8.27	1.56	8.43	1.58	8.74	1.61	9.06	1.64
					14	7.38	1.52	7.68	1.55	7.99	1.59	8.14	1.60	8.30	1.62	8.61	1.65	8.93	1.68
					16	7.25	1.56	7.55	1.60	7.86	1.63	8.01	1.64	8.17	1.66	8.48	1.69	8.80	1.72
					18	7.12	1.60	7.42	1.64	7.73	1.67	7.88	1.68	8.04	1.70	8.35	1.73	8.68	1.76
					20	6.99	1.65	7.29	1.68	7.60	1.71	7.75	1.73	7.91	1.74	8.23	1.77	8.55	1.81
					21	6.92	1.67	7.22	1.70	7.53	1.73	7.69	1.75	7.84	1.76	8.16	1.79	8.48	1.83
					23	6.79	1.71	7.09	1.74	7.40	1.77	7.56	1.79	7.71	1.81	8.03	1.84	8.35	1.87
					25	6.66	1.75	6.96	1.79	7.27	1.82	7.43	1.83	7.59	1.85	7.90	1.88	8.23	1.92
					27	6.53	1.80	6.83	1.83	7.14	1.86	7.30	1.88	7.46	1.90	7.78	1.93	8.10	1.96
					29	6.40	1.84	6.70	1.87	7.01	1.91	7.17	1.92	7.33	1.94	7.65	1.97	7.97	2.01
					31	6.27	1.89	6.57	1.92	6.89	1.95	7.04	1.97	7.20	1.99	7.52	2.02	7.85	2.05
					33	6.14	1.93	6.45	1.97	6.76	2.00	6.92	2.02	7.07	2.03	7.39	2.07	7.72	2.10
					35	6.01	1.98	6.32	2.01	6.63	2.05	6.80	2.06	6.95	2.08	7.27	2.11	7.59	2.15
					37	5.88	2.03	6.19	2.06	6.50	2.10	6.66	2.11	6.82	2.13	7.14	2.16	7.47	2.20
					39	5.75	2.08	6.06	2.11	6.38	2.14	6.53	2.16	6.69	2.18	7.02	2.21	7.34	2.25
42	5.56	2.15	5.87	2.19	6.19	2.22	6.34	2.24	6.50	2.25	6.83	2.29	7.15	2.32					
44	5.43	2.20	5.74	2.24	6.06	2.27	6.22	2.29	6.38	2.30	6.70	2.34	7.03	2.37					
46	5.31	2.25	5.62	2.29	5.93	2.32	6.09	2.34	6.25	2.36	6.58	2.39	6.91	2.42					

12. Capacity Table

Combination (Capacity Index)			Combination (Total)	Combination (%)	Outdoor Temperature (°C,DB)	Indoor Temperature(°C, WB)													
						14		16		18		19		20		22		24	
						TC(kW)	PI(kW)	TC(kW)	PI(kW)	TC(kW)	PI(kW)	TC(kW)	PI(kW)	TC(kW)	PI(kW)	TC(kW)	PI(kW)	TC(kW)	PI(kW)
2500	3500	5000	11000	162%	10	7.65	1.45	7.95	1.48	8.25	1.51	8.41	1.52	8.56	1.54	8.87	1.57	9.19	1.60
					12	7.51	1.48	7.81	1.52	8.12	1.55	8.27	1.56	8.43	1.58	8.74	1.61	9.06	1.64
					14	7.38	1.52	7.68	1.55	7.99	1.59	8.14	1.60	8.30	1.62	8.61	1.65	8.93	1.68
					16	7.25	1.56	7.55	1.60	7.86	1.63	8.01	1.64	8.17	1.66	8.48	1.69	8.80	1.72
					18	7.12	1.60	7.42	1.64	7.73	1.67	7.88	1.68	8.04	1.70	8.35	1.73	8.68	1.76
					20	6.99	1.65	7.29	1.68	7.60	1.71	7.75	1.73	7.91	1.74	8.23	1.77	8.55	1.81
					21	6.92	1.67	7.22	1.70	7.53	1.73	7.69	1.75	7.84	1.76	8.16	1.79	8.48	1.83
					23	6.79	1.71	7.09	1.74	7.40	1.77	7.56	1.79	7.71	1.81	8.03	1.84	8.35	1.87
					25	6.66	1.75	6.96	1.79	7.27	1.82	7.43	1.83	7.59	1.85	7.90	1.88	8.23	1.92
					27	6.53	1.80	6.83	1.83	7.14	1.86	7.30	1.88	7.46	1.90	7.78	1.93	8.10	1.96
					29	6.40	1.84	6.70	1.87	7.01	1.91	7.17	1.92	7.33	1.94	7.65	1.97	7.97	2.01
					31	6.27	1.89	6.57	1.92	6.89	1.95	7.04	1.97	7.20	1.99	7.52	2.02	7.85	2.05
					33	6.14	1.93	6.45	1.97	6.76	2.00	6.92	2.02	7.07	2.03	7.39	2.07	7.72	2.10
					35	6.01	1.98	6.32	2.01	6.63	2.05	6.80	2.06	6.95	2.08	7.27	2.11	7.59	2.15
					37	5.88	2.03	6.19	2.06	6.50	2.10	6.66	2.11	6.82	2.13	7.14	2.16	7.47	2.20
					39	5.75	2.08	6.06	2.11	6.38	2.14	6.53	2.16	6.69	2.18	7.02	2.21	7.34	2.25
42	5.56	2.15	5.87	2.19	6.19	2.22	6.34	2.24	6.50	2.25	6.83	2.29	7.15	2.32					
44	5.43	2.20	5.74	2.24	6.06	2.27	6.22	2.29	6.38	2.30	6.70	2.34	7.03	2.37					
46	5.31	2.25	5.62	2.29	5.93	2.32	6.09	2.34	6.25	2.36	6.58	2.39	6.91	2.42					
3500	3500	3500	10500	154%	10	7.65	1.45	7.95	1.48	8.25	1.51	8.41	1.52	8.56	1.54	8.87	1.57	9.19	1.60
					12	7.51	1.48	7.81	1.52	8.12	1.55	8.27	1.56	8.43	1.58	8.74	1.61	9.06	1.64
					14	7.38	1.52	7.68	1.55	7.99	1.59	8.14	1.60	8.30	1.62	8.61	1.65	8.93	1.68
					16	7.25	1.56	7.55	1.60	7.86	1.63	8.01	1.64	8.17	1.66	8.48	1.69	8.80	1.72
					18	7.12	1.60	7.42	1.64	7.73	1.67	7.88	1.68	8.04	1.70	8.35	1.73	8.68	1.76
					20	6.99	1.65	7.29	1.68	7.60	1.71	7.75	1.73	7.91	1.74	8.23	1.77	8.55	1.81
					21	6.92	1.67	7.22	1.70	7.53	1.73	7.69	1.75	7.84	1.76	8.16	1.79	8.48	1.83
					23	6.79	1.71	7.09	1.74	7.40	1.77	7.56	1.79	7.71	1.81	8.03	1.84	8.35	1.87
					25	6.66	1.75	6.96	1.79	7.27	1.82	7.43	1.83	7.59	1.85	7.90	1.88	8.23	1.92
					27	6.53	1.80	6.83	1.83	7.14	1.86	7.30	1.88	7.46	1.90	7.78	1.93	8.10	1.96
					29	6.40	1.84	6.70	1.87	7.01	1.91	7.17	1.92	7.33	1.94	7.65	1.97	7.97	2.01
					31	6.27	1.89	6.57	1.92	6.89	1.95	7.04	1.97	7.20	1.99	7.52	2.02	7.85	2.05
					33	6.14	1.93	6.45	1.97	6.76	2.00	6.92	2.02	7.07	2.03	7.39	2.07	7.72	2.10
					35	6.01	1.98	6.32	2.01	6.63	2.05	6.80	2.06	6.95	2.08	7.27	2.11	7.59	2.15
					37	5.88	2.03	6.19	2.06	6.50	2.10	6.66	2.11	6.82	2.13	7.14	2.16	7.47	2.20
					39	5.75	2.08	6.06	2.11	6.38	2.14	6.53	2.16	6.69	2.18	7.02	2.21	7.34	2.25
42	5.56	2.15	5.87	2.19	6.19	2.22	6.34	2.24	6.50	2.25	6.83	2.29	7.15	2.32					
44	5.43	2.20	5.74	2.24	6.06	2.27	6.22	2.29	6.38	2.30	6.70	2.34	7.03	2.37					
46	5.31	2.25	5.62	2.29	5.93	2.32	6.09	2.34	6.25	2.36	6.58	2.39	6.91	2.42					

NOTE

- Cooling capacity is based on 27°CDB / 19°CWB (indoor temperature), 35°CDB (outdoor temperature).
- Heating capacity is based on 20°CDB (indoor temperature), 7°CDB/6°CWB (outdoor temperature).
- The above is the value for connecting with the following indoor units.
 - 2000, 2500, 3500, 5000W class: Wall Mounted A3050 Series [only for AR**MXWSAWKNEU]
- Capacities are based on the following conditions:
 - Corresponding refrigerant piping length : 5m / - Level difference : 0m
- The total ability of connected a indoor unit is up to 7.5kW
- It is impossible to connect the indoor unit for one room only.
- This data is reference data for temperature capacity trend.

12. Capacity Table

12-4. AJ068RCJ3EG/EU

Heating

Combination (Capacity Index)			Combination (Total)	Combination (%)	Outdoor Temperature (°C,DB)	Indoor Temperature(°C, DB)													
						14		16		18		20		21		22		24	
						TC(kW)	PI(kW)	TC(kW)	PI(kW)	TC(kW)	PI(kW)	TC(kW)	PI(kW)	TC(kW)	PI(kW)	TC(kW)	PI(kW)	TC(kW)	PI(kW)
2000			2000	29%	-15	1.26	0.76	1.22	0.77	1.18	0.78	1.17	0.78	1.15	0.79	1.13	0.79	1.11	0.80
					-10	1.51	0.79	1.47	0.81	1.43	0.82	1.41	0.82	1.40	0.83	1.37	0.83	1.34	0.84
					-5	1.76	0.83	1.71	0.85	1.67	0.86	1.66	0.86	1.64	0.87	1.61	0.88	1.58	0.88
					0	2.01	0.87	1.96	0.89	1.92	0.90	1.90	0.90	1.88	0.91	1.85	0.92	1.82	0.93
					2	2.11	0.89	2.06	0.90	2.02	0.91	2.00	0.92	1.98	0.92	1.95	0.93	1.92	0.94
					7	2.31	0.92	2.26	0.93	2.21	0.95	2.20	0.95	2.17	0.96	2.14	0.97	2.11	0.98
					10	2.51	0.95	2.46	0.96	2.41	0.98	2.39	0.98	2.37	0.99	2.33	1.00	2.30	1.01
2500			2500	37%	-15	1.89	0.91	1.83	0.93	1.78	0.94	1.75	0.95	1.73	0.95	1.69	0.96	1.66	0.97
					-10	2.26	0.96	2.20	0.98	2.14	0.99	2.12	1.00	2.09	1.00	2.05	1.01	2.02	1.02
					-5	2.64	1.01	2.57	1.02	2.51	1.04	2.48	1.04	2.46	1.05	2.41	1.06	2.37	1.07
					0	3.01	1.06	2.94	1.07	2.88	1.09	2.85	1.09	2.82	1.10	2.77	1.11	2.73	1.12
					2	3.16	1.08	3.09	1.09	3.03	1.11	3.00	1.11	2.97	1.12	2.92	1.13	2.87	1.14
					7	3.46	1.11	3.39	1.13	3.32	1.14	3.30	1.15	3.26	1.16	3.21	1.17	3.16	1.18
					10	3.76	1.15	3.69	1.17	3.62	1.18	3.59	1.19	3.55	1.20	3.50	1.21	3.45	1.22
3500			3500	51%	-15	2.29	1.07	2.22	1.09	2.15	1.10	2.13	1.11	2.10	1.12	2.05	1.13	2.01	1.14
					-10	2.74	1.13	2.67	1.15	2.60	1.16	2.57	1.17	2.54	1.17	2.49	1.19	2.44	1.20
					-5	3.20	1.19	3.12	1.20	3.04	1.22	3.01	1.23	2.98	1.23	2.92	1.25	2.88	1.26
					0	3.65	1.24	3.57	1.26	3.49	1.28	3.46	1.28	3.42	1.29	3.36	1.30	3.31	1.32
					2	3.83	1.26	3.75	1.28	3.67	1.30	3.63	1.31	3.60	1.31	3.54	1.33	3.48	1.34
					7	4.20	1.31	4.11	1.33	4.03	1.34	4.00	1.35	3.95	1.36	3.89	1.37	3.83	1.39
					10	4.56	1.35	4.47	1.37	4.38	1.39	4.35	1.40	4.31	1.41	4.24	1.42	4.18	1.43
5000			5000	74%	-15	3.21	1.45	3.11	1.47	3.02	1.49	2.98	1.50	2.94	1.50	2.87	1.52	2.82	1.53
					-10	3.84	1.52	3.73	1.55	3.64	1.57	3.60	1.57	3.55	1.58	3.48	1.60	3.42	1.61
					-5	4.48	1.60	4.36	1.62	4.26	1.64	4.22	1.65	4.17	1.66	4.09	1.68	4.03	1.69
					0	5.11	1.67	4.99	1.70	4.89	1.72	4.84	1.73	4.79	1.74	4.71	1.76	4.63	1.77
					2	5.37	1.70	5.25	1.73	5.14	1.75	5.09	1.76	5.04	1.77	4.95	1.79	4.88	1.81
					7	5.88	1.76	5.75	1.79	5.64	1.81	5.60	1.82	5.54	1.83	5.44	1.85	5.36	1.87
					10	6.39	1.82	6.26	1.85	6.14	1.87	6.08	1.88	6.03	1.89	5.94	1.92	5.85	1.93
2000	2000		4000	59%	-15	2.52	0.97	2.44	0.98	2.37	1.00	2.34	1.00	2.31	1.01	2.26	1.02	2.21	1.03
					-10	3.02	1.02	2.93	1.04	2.86	1.05	2.82	1.06	2.79	1.06	2.74	1.07	2.69	1.08
					-5	3.52	1.07	3.43	1.09	3.35	1.10	3.31	1.11	3.28	1.11	3.22	1.13	3.16	1.14
					0	4.02	1.12	3.92	1.14	3.84	1.15	3.80	1.16	3.76	1.17	3.70	1.18	3.64	1.19
					2	4.22	1.14	4.12	1.16	4.04	1.17	4.00	1.18	3.96	1.19	3.89	1.20	3.83	1.21
					7	4.62	1.18	4.52	1.20	4.43	1.21	4.40	1.22	4.35	1.23	4.28	1.24	4.21	1.25
					10	5.02	1.22	4.92	1.24	4.82	1.25	4.78	1.26	4.74	1.27	4.66	1.28	4.60	1.30
					15	5.52	1.27	5.41	1.29	5.32	1.31	5.27	1.31	5.23	1.32	5.15	1.34	5.08	1.35

12. Capacity Table

Combination (Capacity Index)			Combination (Total)	Combination (%)	Outdoor Temperature (°C, DB)	Indoor Temperature(°C, DB)													
						14		16		18		20		21		22		24	
						TC(kW)	PI(kW)	TC(kW)	PI(kW)	TC(kW)	PI(kW)	TC(kW)	PI(kW)	TC(kW)	PI(kW)	TC(kW)	PI(kW)	TC(kW)	PI(kW)
2000	2500	4500	66%	-15	3.15	1.18	3.05	1.20	2.96	1.22	2.92	1.22	2.89	1.23	2.82	1.24	2.77	1.25	
				-10	3.77	1.25	3.67	1.27	3.57	1.28	3.53	1.29	3.49	1.30	3.42	1.31	3.36	1.32	
				-5	4.40	1.31	4.29	1.33	4.19	1.35	4.14	1.35	4.10	1.36	4.02	1.37	3.96	1.39	
				0	5.02	1.37	4.90	1.39	4.80	1.41	4.75	1.42	4.71	1.42	4.62	1.44	4.55	1.45	
				2	5.27	1.39	5.15	1.41	5.05	1.43	5.00	1.44	4.95	1.45	4.86	1.47	4.79	1.48	
				7	5.77	1.44	5.65	1.46	5.54	1.48	5.50	1.49	5.44	1.50	5.35	1.52	5.27	1.53	
				10	6.27	1.49	6.15	1.51	6.03	1.53	5.98	1.54	5.92	1.55	5.83	1.57	5.75	1.58	
2000	3500	5500	81%	-15	3.55	1.33	3.44	1.35	3.34	1.36	3.29	1.37	3.25	1.38	3.18	1.39	3.12	1.40	
				-10	4.25	1.40	4.13	1.42	4.03	1.44	3.98	1.45	3.94	1.45	3.86	1.47	3.79	1.48	
				-5	4.95	1.47	4.83	1.49	4.72	1.51	4.67	1.52	4.62	1.53	4.53	1.54	4.46	1.55	
				0	5.66	1.53	5.53	1.56	5.41	1.58	5.36	1.59	5.30	1.60	5.21	1.61	5.13	1.63	
				2	5.94	1.56	5.81	1.59	5.69	1.61	5.63	1.62	5.58	1.63	5.48	1.64	5.40	1.66	
				7	6.51	1.62	6.37	1.64	6.24	1.66	6.20	1.67	6.13	1.68	6.03	1.70	5.94	1.72	
				10	7.07	1.67	6.93	1.69	6.80	1.72	6.74	1.73	6.68	1.74	6.57	1.76	6.48	1.77	
2000	5000	7000	103%	-15	4.47	1.58	4.33	1.61	4.20	1.63	4.14	1.64	4.09	1.64	4.00	1.66	3.92	1.67	
				-10	5.35	1.66	5.20	1.69	5.07	1.71	5.01	1.72	4.95	1.73	4.85	1.75	4.77	1.76	
				-5	6.23	1.75	6.08	1.77	5.94	1.80	5.87	1.81	5.81	1.82	5.70	1.84	5.61	1.85	
				0	7.12	1.83	6.96	1.86	6.81	1.88	6.74	1.89	6.67	1.90	6.56	1.92	6.45	1.94	
				2	7.47	1.86	7.31	1.89	7.15	1.91	7.08	1.93	7.02	1.94	6.90	1.96	6.79	1.97	
				7	8.19	1.93	8.01	1.95	7.85	1.98	7.80	1.99	7.71	2.00	7.58	2.03	7.47	2.04	
				10	8.90	1.99	8.72	2.02	8.55	2.05	8.47	2.06	8.40	2.07	8.27	2.09	8.15	2.11	
2500	2500	5000	74%	-15	3.78	1.50	3.66	1.52	3.55	1.54	3.51	1.55	3.46	1.56	3.38	1.58	3.32	1.59	
				-10	4.53	1.58	4.40	1.60	4.29	1.63	4.24	1.64	4.19	1.64	4.10	1.66	4.03	1.67	
				-5	5.27	1.66	5.14	1.68	5.02	1.71	4.97	1.72	4.92	1.73	4.83	1.74	4.75	1.76	
				0	6.02	1.74	5.89	1.76	5.76	1.79	5.70	1.80	5.65	1.81	5.55	1.83	5.46	1.84	
				2	6.32	1.77	6.18	1.79	6.05	1.82	5.99	1.83	5.94	1.84	5.84	1.86	5.75	1.88	
				7	6.93	1.83	6.78	1.86	6.64	1.88	6.60	1.89	6.52	1.90	6.42	1.92	6.32	1.94	
				10	7.53	1.89	7.37	1.92	7.24	1.94	7.17	1.96	7.11	1.97	7.00	1.99	6.90	2.01	
2500	3500	6000	88%	-15	4.18	1.55	4.05	1.57	3.93	1.59	3.88	1.60	3.83	1.61	3.74	1.63	3.67	1.64	
				-10	5.01	1.63	4.87	1.66	4.74	1.68	4.69	1.69	4.63	1.70	4.54	1.71	4.46	1.73	
				-5	5.83	1.71	5.69	1.74	5.56	1.76	5.50	1.77	5.44	1.78	5.34	1.80	5.25	1.81	
				0	6.66	1.79	6.51	1.82	6.37	1.84	6.31	1.85	6.25	1.86	6.14	1.88	6.04	1.90	
				2	7.00	1.82	6.84	1.85	6.70	1.88	6.63	1.89	6.57	1.90	6.46	1.92	6.36	1.94	
				7	7.66	1.89	7.50	1.92	7.35	1.94	7.30	1.95	7.22	1.96	7.10	1.99	6.99	2.00	
				10	8.33	1.95	8.16	1.98	8.00	2.01	7.93	2.02	7.86	2.03	7.74	2.05	7.63	2.07	
2500	5000	7500	110%	-15	4.47	1.62	4.33	1.65	4.20	1.67	4.14	1.68	4.09	1.69	4.00	1.70	3.92	1.72	
				-10	5.35	1.71	5.20	1.73	5.07	1.75	5.01	1.77	4.95	1.77	4.85	1.79	4.77	1.81	
				-5	6.23	1.79	6.08	1.82	5.94	1.84	5.87	1.85	5.81	1.86	5.70	1.88	5.61	1.90	
				0	7.12	1.87	6.96	1.90	6.81	1.93	6.74	1.94	6.67	1.95	6.56	1.97	6.45	1.99	
				2	7.47	1.91	7.31	1.94	7.15	1.96	7.08	1.97	7.02	1.99	6.90	2.01	6.79	2.02	
				7	8.19	1.97	8.01	2.00	7.85	2.03	7.80	2.04	7.71	2.05	7.58	2.08	7.47	2.10	
				10	8.90	2.04	8.72	2.07	8.55	2.10	8.47	2.11	8.40	2.12	8.27	2.15	8.15	2.17	
15	9.79	2.12	9.60	2.15	9.43	2.18	9.34	2.20	9.27	2.21	9.13	2.23	9.00	2.26					

12. Capacity Table

Combination (Capacity Index)			Combination (Total)	Combination (%)	Outdoor Temperature (°C,DB)	Indoor Temperature(°C, DB)													
						14		16		18		20		21		22		24	
						TC(kW)	PI(kW)	TC(kW)	PI(kW)	TC(kW)	PI(kW)	TC(kW)	PI(kW)	TC(kW)	PI(kW)	TC(kW)	PI(kW)	TC(kW)	PI(kW)
3500	3500	7000	103%	-15	4.47	1.58	4.33	1.61	4.20	1.63	4.14	1.64	4.09	1.64	4.00	1.66	3.92	1.67	
				-10	5.35	1.66	5.20	1.69	5.07	1.71	5.01	1.72	4.95	1.73	4.85	1.75	4.77	1.76	
				-5	6.23	1.75	6.08	1.77	5.94	1.80	5.87	1.81	5.81	1.82	5.70	1.84	5.61	1.85	
				0	7.12	1.83	6.96	1.86	6.81	1.88	6.74	1.89	6.67	1.90	6.56	1.92	6.45	1.94	
				2	7.47	1.86	7.31	1.89	7.15	1.91	7.08	1.93	7.02	1.94	6.90	1.96	6.79	1.97	
				7	8.19	1.93	8.01	1.95	7.85	1.98	7.80	1.99	7.71	2.00	7.58	2.03	7.47	2.04	
				10	8.90	1.99	8.72	2.02	8.55	2.05	8.47	2.06	8.40	2.07	8.27	2.09	8.15	2.11	
				15	9.79	2.07	9.60	2.10	9.43	2.13	9.34	2.14	9.27	2.16	9.13	2.18	9.00	2.20	
3500	5000	8500	125%	-15	4.58	1.66	4.44	1.69	4.31	1.71	4.25	1.72	4.20	1.73	4.10	1.74	4.02	1.76	
				-10	5.49	1.75	5.33	1.77	5.20	1.80	5.14	1.81	5.08	1.82	4.97	1.84	4.89	1.85	
				-5	6.39	1.83	6.23	1.86	6.09	1.89	6.02	1.90	5.96	1.91	5.85	1.93	5.75	1.94	
				0	7.30	1.92	7.13	1.95	6.98	1.98	6.91	1.99	6.84	2.00	6.72	2.02	6.62	2.04	
				2	7.67	1.95	7.49	1.98	7.34	2.01	7.27	2.02	7.20	2.03	7.07	2.06	6.97	2.07	
				7	8.40	2.02	8.22	2.05	8.05	2.08	8.00	2.09	7.91	2.11	7.78	2.13	7.66	2.15	
				10	9.12	2.09	8.94	2.12	8.77	2.15	8.69	2.16	8.62	2.18	8.48	2.20	8.36	2.22	
				15	10.04	2.17	9.84	2.21	9.67	2.24	9.58	2.25	9.51	2.26	9.36	2.29	9.23	2.31	
5000	5000	10000	147%	-15	4.58	1.65	4.44	1.68	4.31	1.70	4.25	1.71	4.20	1.72	4.10	1.74	4.02	1.75	
				-10	5.49	1.74	5.33	1.77	5.20	1.79	5.14	1.80	5.08	1.81	4.97	1.83	4.89	1.84	
				-5	6.39	1.83	6.23	1.85	6.09	1.88	6.02	1.89	5.96	1.90	5.85	1.92	5.75	1.94	
				0	7.30	1.91	7.13	1.94	6.98	1.97	6.91	1.98	6.84	1.99	6.72	2.01	6.62	2.03	
				2	7.67	1.95	7.49	1.97	7.34	2.00	7.27	2.01	7.20	2.02	7.07	2.05	6.97	2.06	
				7	8.40	2.01	8.22	2.04	8.05	2.07	8.00	2.08	7.91	2.10	7.78	2.12	7.66	2.14	
				10	9.12	2.08	8.94	2.11	8.77	2.14	8.69	2.15	8.62	2.17	8.48	2.19	8.36	2.21	
				15	10.04	2.16	9.84	2.20	9.67	2.23	9.58	2.24	9.51	2.25	9.36	2.28	9.23	2.30	
2000	2000	2000	6000	88%	-15	3.78	1.40	3.66	1.42	3.55	1.44	3.51	1.45	3.46	1.45	3.38	1.47	3.32	1.48
					-10	4.53	1.47	4.40	1.49	4.29	1.51	4.24	1.52	4.19	1.53	4.10	1.55	4.03	1.56
					-5	5.27	1.55	5.14	1.57	5.02	1.59	4.97	1.60	4.92	1.61	4.83	1.62	4.75	1.64
					0	6.02	1.62	5.89	1.64	5.76	1.66	5.70	1.67	5.65	1.68	5.55	1.70	5.46	1.72
					2	6.32	1.65	6.18	1.67	6.05	1.69	5.99	1.70	5.94	1.71	5.84	1.73	5.75	1.75
					7	6.93	1.70	6.78	1.73	6.64	1.75	6.60	1.76	6.52	1.77	6.42	1.79	6.32	1.81
					10	7.53	1.76	7.37	1.79	7.24	1.81	7.17	1.82	7.11	1.83	7.00	1.85	6.90	1.87
					15	8.28	1.83	8.12	1.86	7.98	1.88	7.91	1.89	7.84	1.91	7.72	1.93	7.62	1.95
2000	2000	2500	6500	96%	-15	4.41	1.45	4.27	1.48	4.15	1.50	4.09	1.50	4.04	1.51	3.95	1.53	3.87	1.54
					-10	5.28	1.53	5.13	1.55	5.00	1.57	4.94	1.58	4.89	1.59	4.79	1.61	4.70	1.62
					-5	6.15	1.61	6.00	1.63	5.86	1.65	5.80	1.66	5.74	1.67	5.63	1.69	5.54	1.70
					0	7.03	1.68	6.87	1.71	6.72	1.73	6.65	1.74	6.59	1.75	6.47	1.77	6.37	1.78
					2	7.38	1.71	7.21	1.74	7.06	1.76	6.99	1.77	6.93	1.78	6.81	1.80	6.71	1.82
					7	8.08	1.77	7.91	1.80	7.75	1.82	7.70	1.83	7.61	1.84	7.49	1.86	7.38	1.88
					10	8.78	1.83	8.60	1.86	8.44	1.88	8.37	1.89	8.29	1.91	8.16	1.93	8.05	1.94
					15	9.66	1.90	9.48	1.93	9.30	1.96	9.22	1.97	9.15	1.98	9.01	2.00	8.88	2.02

12. Capacity Table

Combination (Capacity Index)			Combination (Total)	Combination (%)	Outdoor Temperature (°C,DB)	Indoor Temperature(°C, DB)													
						14		16		18		20		21		22		24	
						TC(kW)	PI(kW)	TC(kW)	PI(kW)	TC(kW)	PI(kW)	TC(kW)	PI(kW)	TC(kW)	PI(kW)	TC(kW)	PI(kW)	TC(kW)	PI(kW)
2000	2000	3500	7500	110%	-15	4.58	1.53	4.44	1.55	4.31	1.57	4.25	1.58	4.20	1.59	4.10	1.60	4.02	1.62
					-10	5.49	1.61	5.33	1.63	5.20	1.65	5.14	1.66	5.08	1.67	4.97	1.69	4.89	1.70
					-5	6.39	1.69	6.23	1.71	6.09	1.73	6.02	1.74	5.96	1.75	5.85	1.77	5.75	1.79
					0	7.30	1.76	7.13	1.79	6.98	1.81	6.91	1.83	6.84	1.84	6.72	1.85	6.62	1.87
					2	7.67	1.80	7.49	1.82	7.34	1.85	7.27	1.86	7.20	1.87	7.07	1.89	6.97	1.91
					7	8.40	1.86	8.22	1.89	8.05	1.91	8.00	1.92	7.91	1.93	7.78	1.95	7.66	1.97
					10	9.12	1.92	8.94	1.95	8.77	1.97	8.69	1.99	8.62	2.00	8.48	2.02	8.36	2.04
15	10.04	2.00	9.84	2.03	9.67	2.05	9.58	2.07	9.51	2.08	9.36	2.10	9.23	2.12					
2000	2000	5000	9000	132%	-15	4.58	1.56	4.44	1.58	4.31	1.60	4.25	1.61	4.20	1.62	4.10	1.64	4.02	1.65
					-10	5.49	1.64	5.33	1.66	5.20	1.69	5.14	1.70	5.08	1.71	4.97	1.72	4.89	1.74
					-5	6.39	1.72	6.23	1.75	6.09	1.77	6.02	1.78	5.96	1.79	5.85	1.81	5.75	1.82
					0	7.30	1.80	7.13	1.83	6.98	1.85	6.91	1.86	6.84	1.87	6.72	1.89	6.62	1.91
					2	7.67	1.83	7.49	1.86	7.34	1.89	7.27	1.90	7.20	1.91	7.07	1.93	6.97	1.95
					7	8.40	1.90	8.22	1.92	8.05	1.95	8.00	1.96	7.91	1.97	7.78	2.00	7.66	2.01
					10	9.12	1.96	8.94	1.99	8.77	2.02	8.69	2.03	8.62	2.04	8.48	2.06	8.36	2.08
15	10.04	2.04	9.84	2.07	9.67	2.10	9.58	2.11	9.51	2.12	9.36	2.15	9.23	2.17					
2000	2500	2500	7000	103%	-15	4.58	1.49	4.44	1.52	4.31	1.54	4.25	1.55	4.20	1.55	4.10	1.57	4.02	1.58
					-10	5.49	1.57	5.33	1.60	5.20	1.62	5.14	1.63	5.08	1.64	4.97	1.65	4.89	1.67
					-5	6.39	1.65	6.23	1.67	6.09	1.70	6.02	1.71	5.96	1.72	5.85	1.73	5.75	1.75
					0	7.30	1.73	7.13	1.75	6.98	1.78	6.91	1.79	6.84	1.80	6.72	1.82	6.62	1.83
					2	7.67	1.76	7.49	1.78	7.34	1.81	7.27	1.82	7.20	1.83	7.07	1.85	6.97	1.87
					7	8.40	1.82	8.22	1.85	8.05	1.87	8.00	1.88	7.91	1.89	7.78	1.91	7.66	1.93
					10	9.12	1.88	8.94	1.91	8.77	1.93	8.69	1.95	8.62	1.96	8.48	1.98	8.36	2.00
15	10.04	1.96	9.84	1.98	9.67	2.01	9.58	2.02	9.51	2.04	9.36	2.06	9.23	2.08					
2000	2500	3500	8000	118%	-15	4.58	1.52	4.44	1.54	4.31	1.56	4.25	1.57	4.20	1.58	4.10	1.59	4.02	1.61
					-10	5.49	1.60	5.33	1.62	5.20	1.64	5.14	1.65	5.08	1.66	4.97	1.68	4.89	1.69
					-5	6.39	1.68	6.23	1.70	6.09	1.72	6.02	1.73	5.96	1.74	5.85	1.76	5.75	1.78
					0	7.30	1.76	7.13	1.78	6.98	1.80	6.91	1.82	6.84	1.83	6.72	1.85	6.62	1.86
					2	7.67	1.79	7.49	1.81	7.34	1.84	7.27	1.85	7.20	1.86	7.07	1.88	6.97	1.90
					7	8.40	1.85	8.22	1.88	8.05	1.90	8.00	1.91	7.91	1.92	7.78	1.94	7.66	1.96
					10	9.12	1.91	8.94	1.94	8.77	1.96	8.69	1.98	8.62	1.99	8.48	2.01	8.36	2.03
15	10.04	1.99	9.84	2.02	9.67	2.04	9.58	2.06	9.51	2.07	9.36	2.09	9.23	2.11					
2000	2500	5000	9500	140%	-15	4.58	1.53	4.44	1.55	4.31	1.57	4.25	1.58	4.20	1.59	4.10	1.60	4.02	1.62
					-10	5.49	1.61	5.33	1.63	5.20	1.65	5.14	1.66	5.08	1.67	4.97	1.69	4.89	1.70
					-5	6.39	1.69	6.23	1.71	6.09	1.73	6.02	1.74	5.96	1.75	5.85	1.77	5.75	1.79
					0	7.30	1.76	7.13	1.79	6.98	1.81	6.91	1.83	6.84	1.84	6.72	1.85	6.62	1.87
					2	7.67	1.80	7.49	1.82	7.34	1.85	7.27	1.86	7.20	1.87	7.07	1.89	6.97	1.91
					7	8.40	1.86	8.22	1.89	8.05	1.91	8.00	1.92	7.91	1.93	7.78	1.95	7.66	1.97
					10	9.12	1.92	8.94	1.95	8.77	1.97	8.69	1.99	8.62	2.00	8.48	2.02	8.36	2.04
15	10.04	2.00	9.84	2.03	9.67	2.05	9.58	2.07	9.51	2.08	9.36	2.10	9.23	2.12					
2000	3500	3500	9000	132%	-15	4.58	1.56	4.44	1.58	4.31	1.60	4.25	1.61	4.20	1.62	4.10	1.64	4.02	1.65
					-10	5.49	1.64	5.33	1.66	5.20	1.69	5.14	1.70	5.08	1.71	4.97	1.72	4.89	1.74
					-5	6.39	1.72	6.23	1.75	6.09	1.77	6.02	1.78	5.96	1.79	5.85	1.81	5.75	1.82
					0	7.30	1.80	7.13	1.83	6.98	1.85	6.91	1.86	6.84	1.87	6.72	1.89	6.62	1.91
					2	7.67	1.83	7.49	1.86	7.34	1.89	7.27	1.90	7.20	1.91	7.07	1.93	6.97	1.95
					7	8.40	1.90	8.22	1.92	8.05	1.95	8.00	1.96	7.91	1.97	7.78	2.00	7.66	2.01
					10	9.12	1.96	8.94	1.99	8.77	2.02	8.69	2.03	8.62	2.04	8.48	2.06	8.36	2.08
15	10.04	2.04	9.84	2.07	9.67	2.10	9.58	2.11	9.51	2.12	9.36	2.15	9.23	2.17					

12. Capacity Table

Combination (Capacity Index)			Combination (Total)	Combination (%)	Outdoor Temperature (°C,DB)	Indoor Temperature(°C, DB)													
						14		16		18		20		21		22		24	
						TC(kW)	PI(kW)	TC(kW)	PI(kW)	TC(kW)	PI(kW)	TC(kW)	PI(kW)	TC(kW)	PI(kW)	TC(kW)	PI(kW)	TC(kW)	PI(kW)
2000	3500	5000	10500	154%	-15	4.58	1.55	4.44	1.57	4.31	1.59	4.25	1.60	4.20	1.61	4.10	1.63	4.02	1.64
					-10	5.49	1.63	5.33	1.66	5.20	1.68	5.14	1.69	5.08	1.70	4.97	1.71	4.89	1.73
					-5	6.39	1.71	6.23	1.74	6.09	1.76	6.02	1.77	5.96	1.78	5.85	1.80	5.75	1.81
					0	7.30	1.79	7.13	1.82	6.98	1.84	6.91	1.85	6.84	1.86	6.72	1.88	6.62	1.90
					2	7.67	1.82	7.49	1.85	7.34	1.88	7.27	1.89	7.20	1.90	7.07	1.92	6.97	1.94
					7	8.40	1.89	8.22	1.92	8.05	1.94	8.00	1.95	7.91	1.96	7.78	1.99	7.66	2.00
					10	9.12	1.95	8.94	1.98	8.77	2.01	8.69	2.02	8.62	2.03	8.48	2.05	8.36	2.07
					15	10.04	2.03	9.84	2.06	9.67	2.09	9.58	2.10	9.51	2.11	9.36	2.14	9.23	2.16
2500	2500	2500	7500	110%	-15	4.58	1.53	4.44	1.56	4.31	1.58	4.25	1.59	4.20	1.60	4.10	1.61	4.02	1.62
					-10	5.49	1.61	5.33	1.64	5.20	1.66	5.14	1.67	5.08	1.68	4.97	1.70	4.89	1.71
					-5	6.39	1.69	6.23	1.72	6.09	1.74	6.02	1.75	5.96	1.76	5.85	1.78	5.75	1.80
					0	7.30	1.77	7.13	1.80	6.98	1.82	6.91	1.83	6.84	1.85	6.72	1.86	6.62	1.88
					2	7.67	1.80	7.49	1.83	7.34	1.86	7.27	1.87	7.20	1.88	7.07	1.90	6.97	1.92
					7	8.40	1.87	8.22	1.90	8.05	1.92	8.00	1.93	7.91	1.94	7.78	1.96	7.66	1.98
					10	9.12	1.93	8.94	1.96	8.77	1.99	8.69	2.00	8.62	2.01	8.48	2.03	8.36	2.05
					15	10.04	2.01	9.84	2.04	9.67	2.07	9.58	2.08	9.51	2.09	9.36	2.11	9.23	2.13
2500	2500	3500	8500	125%	-15	4.58	1.52	4.44	1.54	4.31	1.56	4.25	1.57	4.20	1.58	4.10	1.59	4.02	1.61
					-10	5.49	1.60	5.33	1.62	5.20	1.64	5.14	1.65	5.08	1.66	4.97	1.68	4.89	1.69
					-5	6.39	1.68	6.23	1.70	6.09	1.72	6.02	1.73	5.96	1.74	5.85	1.76	5.75	1.78
					0	7.30	1.76	7.13	1.78	6.98	1.80	6.91	1.82	6.84	1.83	6.72	1.85	6.62	1.86
					2	7.67	1.79	7.49	1.81	7.34	1.84	7.27	1.85	7.20	1.86	7.07	1.88	6.97	1.90
					7	8.40	1.85	8.22	1.88	8.05	1.90	8.00	1.91	7.91	1.92	7.78	1.94	7.66	1.96
					10	9.12	1.91	8.94	1.94	8.77	1.96	8.69	1.98	8.62	1.99	8.48	2.01	8.36	2.03
					15	10.04	1.99	9.84	2.02	9.67	2.04	9.58	2.06	9.51	2.07	9.36	2.09	9.23	2.11
2500	2500	5000	10000	147%	-15	4.58	1.55	4.44	1.57	4.31	1.59	4.25	1.60	4.20	1.61	4.10	1.63	4.02	1.64
					-10	5.49	1.63	5.33	1.66	5.20	1.68	5.14	1.69	5.08	1.70	4.97	1.71	4.89	1.73
					-5	6.39	1.71	6.23	1.74	6.09	1.76	6.02	1.77	5.96	1.78	5.85	1.80	5.75	1.81
					0	7.30	1.79	7.13	1.82	6.98	1.84	6.91	1.85	6.84	1.86	6.72	1.88	6.62	1.90
					2	7.67	1.82	7.49	1.85	7.34	1.88	7.27	1.89	7.20	1.90	7.07	1.92	6.97	1.94
					7	8.40	1.89	8.22	1.92	8.05	1.94	8.00	1.95	7.91	1.96	7.78	1.99	7.66	2.00
					10	9.12	1.95	8.94	1.98	8.77	2.01	8.69	2.02	8.62	2.03	8.48	2.05	8.36	2.07
					15	10.04	2.03	9.84	2.06	9.67	2.09	9.58	2.10	9.51	2.11	9.36	2.14	9.23	2.16
2500	3500	3500	9500	140%	-15	4.58	1.53	4.44	1.56	4.31	1.58	4.25	1.59	4.20	1.60	4.10	1.61	4.02	1.62
					-10	5.49	1.61	5.33	1.64	5.20	1.66	5.14	1.67	5.08	1.68	4.97	1.70	4.89	1.71
					-5	6.39	1.69	6.23	1.72	6.09	1.74	6.02	1.75	5.96	1.76	5.85	1.78	5.75	1.80
					0	7.30	1.77	7.13	1.80	6.98	1.82	6.91	1.83	6.84	1.85	6.72	1.86	6.62	1.88
					2	7.67	1.80	7.49	1.83	7.34	1.86	7.27	1.87	7.20	1.88	7.07	1.90	6.97	1.92
					7	8.40	1.87	8.22	1.90	8.05	1.92	8.00	1.93	7.91	1.94	7.78	1.96	7.66	1.98
					10	9.12	1.93	8.94	1.96	8.77	1.99	8.69	2.00	8.62	2.01	8.48	2.03	8.36	2.05
					15	10.04	2.01	9.84	2.04	9.67	2.07	9.58	2.08	9.51	2.09	9.36	2.11	9.23	2.13
2500	3500	5000	11000	162%	-15	4.58	1.57	4.44	1.60	4.31	1.62	4.25	1.63	4.20	1.64	4.10	1.65	4.02	1.67
					-10	5.49	1.66	5.33	1.68	5.20	1.70	5.14	1.71	5.08	1.72	4.97	1.74	4.89	1.75
					-5	6.39	1.74	6.23	1.76	6.09	1.79	6.02	1.80	5.96	1.81	5.85	1.83	5.75	1.84
					0	7.30	1.82	7.13	1.85	6.98	1.87	6.91	1.88	6.84	1.89	6.72	1.91	6.62	1.93
					2	7.67	1.85	7.49	1.88	7.34	1.90	7.27	1.92	7.20	1.93	7.07	1.95	6.97	1.96
					7	8.40	1.92	8.22	1.94	8.05	1.97	8.00	1.98	7.91	1.99	7.78	2.02	7.66	2.03
					10	9.12	1.98	8.94	2.01	8.77	2.04	8.69	2.05	8.62	2.06	8.48	2.08	8.36	2.10
					15	10.04	2.06	9.84	2.09	9.67	2.12	9.58	2.13	9.51	2.14	9.36	2.17	9.23	2.19

12. Capacity Table

Combination (Capacity Index)			Combination (Total)	Combination (%)	Outdoor Temperature (°C,DB)	Indoor Temperature(°C, DB)													
						14		16		18		20		21		22		24	
						TC(kW)	PI(kW)	TC(kW)	PI(kW)	TC(kW)	PI(kW)	TC(kW)	PI(kW)	TC(kW)	PI(kW)	TC(kW)	PI(kW)		
3500	3500	3500	10500	154%	-15	4.58	1.52	4.44	1.54	4.31	1.56	4.25	1.57	4.20	1.58	4.10	1.59	4.02	1.61
					-10	5.49	1.60	5.33	1.62	5.20	1.64	5.14	1.65	5.08	1.66	4.97	1.68	4.89	1.69
					-5	6.39	1.68	6.23	1.70	6.09	1.72	6.02	1.73	5.96	1.74	5.85	1.76	5.75	1.78
					0	7.30	1.76	7.13	1.78	6.98	1.80	6.91	1.82	6.84	1.83	6.72	1.85	6.62	1.86
					2	7.67	1.79	7.49	1.81	7.34	1.84	7.27	1.85	7.20	1.86	7.07	1.88	6.97	1.90
					7	8.40	1.85	8.22	1.88	8.05	1.90	8.00	1.91	7.91	1.92	7.78	1.94	7.66	1.96
					10	9.12	1.91	8.94	1.94	8.77	1.96	8.69	1.98	8.62	1.99	8.48	2.01	8.36	2.03
					15	10.04	1.99	9.84	2.02	9.67	2.04	9.58	2.06	9.51	2.07	9.36	2.09	9.23	2.11

NOTE

- Cooling capacity is based on 27°CDB / 19°CWB (indoor temperature), 35°CDB (outdoor temperature).
- Heating capacity is based on 20°CDB (indoor temperature), 7°CDB/6°CWB (outdoor temperature).
- The above is the value for connecting with the following indoor units.
 - 2000, 2500, 3500, 5000W class: Wall Mounted A3050 Series [only for AR**MXWSAWKNEU]
- Capacities are based on the following conditions:
 - Corresponding refrigerant piping length : 5m / - Level difference : 0m
- The total ability of connected a indoor unit is up to 7.5kW
- It is impossible to connect the indoor unit for one room only.
- This data is reference data for temperature capacity trend.

12. Capacity Table

12-5. AJ080RCJ4EG/EU

Cooling

Combination (Capacity Index)				Combination (Total)	Combination (%)	Outdoor Temperature (°C,DB)	Indoor Temperature(°C, WB)													
							14		16		18		19		20		22		24	
							TC(kW)	PI(kW)	TC(kW)	PI(kW)	TC(kW)	PI(kW)	TC(kW)	PI(kW)	TC(kW)	PI(kW)	TC(kW)	PI(kW)	TC(kW)	PI(kW)
2000				2000	25%	10	1.76	0.45	2.55	0.50	2.66	0.55	2.71	0.56	2.76	0.58	2.87	0.61	2.98	0.63
						12	1.76	0.47	2.51	0.52	2.62	0.56	2.67	0.58	2.72	0.60	2.83	0.62	2.94	0.64
						14	1.76	0.49	2.47	0.54	2.57	0.58	2.63	0.60	2.68	0.61	2.79	0.64	2.90	0.66
						16	1.76	0.51	2.43	0.56	2.53	0.60	2.59	0.61	2.64	0.63	2.75	0.65	2.85	0.67
						18	1.76	0.54	2.39	0.58	2.49	0.62	2.54	0.63	2.60	0.65	2.70	0.67	2.81	0.68
						20	1.76	0.56	2.35	0.60	2.45	0.63	2.50	0.65	2.56	0.66	2.66	0.68	2.77	0.69
						21	1.76	0.57	2.33	0.61	2.43	0.64	2.48	0.66	2.54	0.67	2.64	0.69	2.75	0.70
						23	1.76	0.59	2.29	0.63	2.39	0.66	2.44	0.68	2.49	0.69	2.60	0.71	2.70	0.72
						25	1.76	0.61	2.25	0.65	2.35	0.68	2.40	0.69	2.45	0.70	2.56	0.72	2.66	0.73
						27	1.76	0.64	2.21	0.67	2.31	0.70	2.36	0.71	2.41	0.72	2.51	0.74	2.62	0.74
						29	1.76	0.66	2.17	0.69	2.27	0.72	2.32	0.73	2.37	0.74	2.47	0.75	2.58	0.76
						31	1.76	0.68	2.13	0.72	2.23	0.74	2.28	0.75	2.33	0.76	2.43	0.77	2.53	0.77
						33	1.76	0.71	2.09	0.74	2.19	0.76	2.24	0.77	2.29	0.78	2.39	0.79	2.49	0.79
						35	1.76	0.73	2.05	0.76	2.15	0.78	2.20	0.78	2.25	0.80	2.35	0.80	2.45	0.80
						37	1.76	0.75	2.01	0.78	2.11	0.80	2.16	0.81	2.21	0.82	2.31	0.82	2.41	0.82
						39	1.76	0.78	1.97	0.81	2.07	0.82	2.12	0.83	2.17	0.84	2.27	0.84	2.37	0.84
						42	1.74	0.82	1.91	0.84	2.01	0.86	2.06	0.86	2.11	0.87	2.21	0.87	2.30	0.86
44	1.65	0.84	1.88	0.86	1.97	0.88	2.02	0.88	2.07	0.89	2.17	0.89	2.26	0.88						
46	1.61	0.87	1.84	0.89	1.93	0.90	1.98	0.91	2.03	0.91	2.12	0.91	2.22	0.90						
2500			2500	31%	10	2.00	0.49	2.90	0.54	3.02	0.59	3.08	0.61	3.14	0.63	3.26	0.66	3.39	0.68	
					12	2.00	0.51	2.85	0.56	2.97	0.61	3.03	0.63	3.09	0.64	3.22	0.67	3.34	0.69	
					14	2.00	0.53	2.80	0.58	2.93	0.62	2.99	0.64	3.05	0.66	3.17	0.69	3.29	0.71	
					16	2.00	0.55	2.76	0.60	2.88	0.64	2.94	0.66	3.00	0.68	3.12	0.70	3.24	0.72	
					18	2.00	0.58	2.71	0.62	2.83	0.66	2.89	0.68	2.95	0.69	3.07	0.72	3.19	0.73	
					20	2.00	0.60	2.67	0.65	2.79	0.68	2.85	0.70	2.90	0.71	3.02	0.73	3.14	0.75	
					21	2.00	0.61	2.64	0.66	2.76	0.69	2.82	0.71	2.88	0.72	3.00	0.74	3.12	0.76	
					23	2.00	0.64	2.60	0.68	2.72	0.71	2.78	0.73	2.83	0.74	2.95	0.76	3.07	0.77	
					25	2.00	0.66	2.55	0.70	2.67	0.73	2.73	0.75	2.79	0.76	2.91	0.78	3.02	0.79	
					27	2.00	0.68	2.51	0.72	2.62	0.75	2.68	0.77	2.74	0.78	2.86	0.79	2.98	0.80	
					29	2.00	0.71	2.46	0.75	2.58	0.78	2.64	0.79	2.69	0.80	2.81	0.81	2.93	0.82	
					31	2.00	0.73	2.42	0.77	2.53	0.80	2.59	0.81	2.65	0.82	2.76	0.83	2.88	0.83	
					33	2.00	0.76	2.37	0.79	2.49	0.82	2.54	0.83	2.60	0.84	2.72	0.85	2.83	0.85	
					35	2.00	0.79	2.33	0.82	2.44	0.84	2.50	0.84	2.56	0.86	2.67	0.87	2.78	0.87	
					37	2.00	0.81	2.29	0.84	2.40	0.86	2.45	0.87	2.51	0.88	2.62	0.89	2.74	0.88	
					39	2.00	0.84	2.24	0.87	2.35	0.89	2.41	0.90	2.46	0.90	2.58	0.91	2.69	0.90	
					42	1.98	0.88	2.18	0.91	2.29	0.92	2.34	0.93	2.40	0.93	2.51	0.93	2.62	0.93	
44	1.88	0.91	2.13	0.93	2.24	0.95	2.30	0.95	2.35	0.96	2.46	0.96	2.57	0.95						
46	1.83	0.94	2.09	0.96	2.20	0.97	2.25	0.98	2.30	0.98	2.41	0.98	2.53	0.97						

12. Capacity Table

Combination (Capacity Index)				Combination (Total)	Combination (%)	Outdoor Temperature (°C,DB)	Indoor Temperature(°C, WB)													
							14		16		18		19		20		22		24	
							TC(kW)	PI(kW)	TC(kW)	PI(kW)	TC(kW)	PI(kW)	TC(kW)	PI(kW)	TC(kW)	PI(kW)	TC(kW)	PI(kW)	TC(kW)	PI(kW)
3500				3500	44%	10	2.80	0.65	4.06	0.73	4.23	0.79	4.31	0.82	4.40	0.84	4.57	0.88	4.74	0.92
						12	2.80	0.68	3.99	0.75	4.16	0.82	4.25	0.84	4.33	0.87	4.50	0.90	4.68	0.93
						14	2.80	0.71	3.93	0.78	4.10	0.84	4.18	0.87	4.26	0.89	4.44	0.92	4.61	0.95
						16	2.80	0.74	3.86	0.81	4.03	0.87	4.11	0.89	4.20	0.91	4.37	0.95	4.54	0.97
						18	2.80	0.78	3.80	0.84	3.96	0.89	4.05	0.91	4.13	0.93	4.30	0.97	4.47	0.99
						20	2.80	0.81	3.73	0.87	3.90	0.92	3.98	0.94	4.07	0.96	4.23	0.99	4.40	1.01
						21	2.80	0.82	3.70	0.88	3.87	0.93	3.95	0.95	4.03	0.97	4.20	1.00	4.37	1.02
						23	2.80	0.85	3.64	0.91	3.80	0.96	3.89	0.98	3.97	1.00	4.13	1.02	4.30	1.04
						25	2.80	0.89	3.58	0.94	3.74	0.99	3.82	1.01	3.90	1.02	4.07	1.04	4.23	1.06
						27	2.80	0.92	3.51	0.97	3.67	1.02	3.76	1.03	3.84	1.05	4.00	1.07	4.17	1.08
						29	2.80	0.95	3.45	1.00	3.61	1.04	3.69	1.06	3.77	1.07	3.93	1.09	4.10	1.10
						31	2.80	0.99	3.39	1.04	3.55	1.07	3.63	1.09	3.71	1.10	3.87	1.12	4.03	1.12
						33	2.80	1.02	3.32	1.07	3.48	1.10	3.56	1.12	3.64	1.13	3.80	1.14	3.97	1.14
						35	2.80	1.06	3.26	1.10	3.42	1.13	3.50	1.13	3.58	1.15	3.74	1.17	3.90	1.17
						37	2.80	1.09	3.20	1.13	3.36	1.16	3.43	1.17	3.51	1.18	3.67	1.19	3.83	1.19
						39	2.80	1.13	3.14	1.17	3.29	1.19	3.37	1.20	3.45	1.21	3.61	1.22	3.77	1.21
42	2.77	1.18	3.05	1.22	3.20	1.24	3.28	1.25	3.35	1.26	3.51	1.26	3.67	1.25						
44	2.63	1.22	2.98	1.25	3.14	1.27	3.21	1.28	3.29	1.28	3.45	1.28	3.60	1.27						
46	2.56	1.26	2.92	1.29	3.07	1.31	3.15	1.31	3.23	1.32	3.38	1.31	3.54	1.30						
5000				5000	63%	10	3.92	0.88	5.68	0.98	5.92	1.06	6.04	1.10	6.16	1.13	6.40	1.19	6.64	1.23
						12	3.92	0.92	5.59	1.02	5.82	1.10	5.94	1.13	6.06	1.16	6.30	1.22	6.55	1.25
						14	3.92	0.96	5.50	1.05	5.73	1.13	5.85	1.16	5.97	1.19	6.21	1.24	6.45	1.28
						16	3.92	1.00	5.41	1.09	5.64	1.17	5.76	1.20	5.88	1.23	6.12	1.27	6.35	1.30
						18	3.92	1.04	5.32	1.13	5.55	1.20	5.67	1.23	5.79	1.26	6.02	1.30	6.26	1.33
						20	3.92	1.08	5.23	1.17	5.46	1.24	5.58	1.26	5.69	1.29	5.93	1.33	6.16	1.35
						21	3.92	1.11	5.18	1.19	5.41	1.25	5.53	1.28	5.65	1.31	5.88	1.34	6.12	1.37
						23	3.92	1.15	5.10	1.23	5.32	1.29	5.44	1.32	5.56	1.34	5.79	1.37	6.02	1.39
						25	3.92	1.19	5.01	1.27	5.23	1.33	5.35	1.35	5.46	1.37	5.69	1.40	5.93	1.42
						27	3.92	1.24	4.92	1.31	5.14	1.37	5.26	1.39	5.37	1.41	5.60	1.44	5.83	1.45
						29	3.92	1.28	4.83	1.35	5.05	1.40	5.17	1.43	5.28	1.44	5.51	1.47	5.74	1.48
						31	3.92	1.33	4.74	1.39	4.97	1.44	5.08	1.46	5.19	1.48	5.42	1.50	5.64	1.51
						33	3.92	1.38	4.65	1.44	4.88	1.48	4.99	1.50	5.10	1.52	5.32	1.53	5.55	1.54
						35	3.92	1.42	4.57	1.48	4.79	1.52	4.90	1.52	5.01	1.55	5.23	1.57	5.46	1.57
						37	3.92	1.47	4.48	1.52	4.70	1.57	4.81	1.58	4.92	1.59	5.14	1.60	5.36	1.60
						39	3.92	1.52	4.39	1.57	4.61	1.61	4.72	1.62	4.83	1.63	5.05	1.64	5.27	1.63
42	3.87	1.59	4.26	1.64	4.48	1.67	4.59	1.68	4.70	1.69	4.91	1.69	5.13	1.68						
44	3.68	1.64	4.18	1.69	4.39	1.71	4.50	1.72	4.61	1.73	4.82	1.73	5.04	1.71						
46	3.58	1.69	4.09	1.73	4.30	1.76	4.41	1.77	4.52	1.77	4.73	1.77	4.95	1.75						

12. Capacity Table

Combination (Capacity Index)				Combination (Total)	Combination (%)	Outdoor Temperature (°C, DB)	Indoor Temperature(°C, WB)													
							14		16		18		19		20		22		24	
							TC(kW)	PI(kW)	TC(kW)	PI(kW)	TC(kW)	PI(kW)	TC(kW)	PI(kW)	TC(kW)	PI(kW)	TC(kW)	PI(kW)	TC(kW)	PI(kW)
6800				6800	85%	10	4.80	0.88	6.95	1.28	7.25	1.39	7.39	1.44	7.54	1.48	7.84	1.56	8.13	1.61
						12	4.80	0.92	6.84	1.33	7.13	1.44	7.28	1.48	7.43	1.52	7.72	1.59	8.02	1.64
						14	4.80	0.96	6.73	1.38	7.02	1.48	7.17	1.52	7.31	1.56	7.60	1.63	7.90	1.67
						16	4.80	1.00	6.62	1.43	6.91	1.53	7.05	1.57	7.20	1.60	7.49	1.66	7.78	1.71
						18	4.80	1.04	6.51	1.48	6.80	1.57	6.94	1.61	7.08	1.65	7.37	1.70	7.66	1.74
						20	4.80	1.08	6.40	1.53	6.69	1.62	6.83	1.66	6.97	1.69	7.26	1.74	7.55	1.77
						21	4.80	1.11	6.35	1.55	6.63	1.64	6.77	1.68	6.91	1.71	7.20	1.76	7.49	1.79
						23	4.80	1.15	6.24	1.61	6.52	1.69	6.66	1.72	6.80	1.75	7.09	1.80	7.37	1.83
						25	4.80	1.19	6.13	1.66	6.41	1.74	6.55	1.77	6.69	1.80	6.97	1.84	7.26	1.86
						27	4.80	1.24	6.02	1.71	6.30	1.79	6.44	1.82	6.58	1.84	6.86	1.88	7.14	1.90
						29	4.80	1.28	5.91	1.77	6.19	1.84	6.33	1.87	6.47	1.89	6.75	1.92	7.03	1.94
						31	4.80	1.33	5.81	1.82	6.08	1.89	6.22	1.92	6.36	1.94	6.63	1.97	6.91	1.97
						33	4.80	1.38	5.70	1.88	5.97	1.94	6.11	1.97	6.24	1.98	6.52	2.01	6.80	2.01
						35	4.80	1.42	5.59	1.94	5.86	2.00	6.00	1.99	6.13	2.03	6.41	2.05	6.68	2.05
						37	4.80	1.47	5.49	2.00	5.75	2.05	5.89	2.07	6.02	2.08	6.30	2.10	6.57	2.09
						39	4.80	1.52	5.38	2.06	5.65	2.10	5.78	2.12	5.91	2.13	6.18	2.14	6.46	2.14
						42	4.74	1.59	5.22	2.15	5.48	2.19	5.62	2.20	5.75	2.21	6.02	2.21	6.29	2.20
44	4.50	1.64	5.12	2.21	5.38	2.24	5.51	2.26	5.64	2.26	5.91	2.26	6.17	2.24						
46	4.38	1.69	5.01	2.27	5.27	2.30	5.40	2.31	5.53	2.32	5.80	2.31	6.06	2.29						
2000	2000			4000	50%	10	3.53	0.87	4.99	0.89	5.08	0.91	5.14	0.92	5.20	0.94	5.35	0.95	5.52	0.97
						12	3.53	0.89	4.85	0.91	4.95	0.94	5.01	0.95	5.08	0.96	5.23	0.98	5.41	1.00
						14	3.53	0.92	4.72	0.94	4.83	0.96	4.89	0.97	4.96	0.98	5.12	1.00	5.31	1.02
						16	3.53	0.94	4.60	0.96	4.71	0.98	4.78	0.99	4.85	1.00	5.02	1.02	5.21	1.04
						18	3.53	0.96	4.48	0.98	4.60	1.01	4.67	1.02	4.75	1.03	4.92	1.04	5.12	1.06
						20	3.53	0.99	4.36	1.01	4.49	1.03	4.57	1.04	4.65	1.05	4.83	1.07	5.03	1.09
						21	3.53	1.00	4.31	1.02	4.44	1.04	4.52	1.05	4.60	1.06	4.78	1.08	4.99	1.10
						23	3.53	1.03	4.20	1.05	4.34	1.07	4.42	1.08	4.51	1.09	4.70	1.11	4.91	1.13
						25	3.53	1.05	4.10	1.07	4.25	1.09	4.33	1.10	4.42	1.11	4.62	1.13	4.84	1.15
						27	3.53	1.08	4.01	1.10	4.16	1.12	4.25	1.13	4.34	1.14	4.55	1.16	4.78	1.18
						29	3.53	1.11	3.92	1.13	4.08	1.15	4.17	1.16	4.27	1.17	4.48	1.19	4.72	1.20
						31	3.53	1.13	3.84	1.15	4.01	1.18	4.10	1.19	4.20	1.19	4.42	1.21	4.66	1.23
						33	3.53	1.16	3.76	1.18	3.94	1.20	4.03	1.21	4.13	1.22	4.36	1.24	4.61	1.26
						35	3.53	1.19	3.69	1.21	3.87	1.23	4.00	1.24	4.08	1.25	4.31	1.27	4.57	1.29
						37	3.53	1.22	3.62	1.24	3.81	1.26	3.91	1.27	4.02	1.28	4.26	1.30	4.53	1.32
						39	3.53	1.25	3.56	1.27	3.76	1.29	3.86	1.30	3.98	1.31	4.22	1.33	4.49	1.35
						42	3.53	1.30	3.48	1.32	3.69	1.34	3.80	1.35	3.92	1.36	4.17	1.38	4.46	1.40
44	3.53	1.33	3.44	1.35	3.65	1.37	3.76	1.38	3.89	1.39	4.15	1.41	4.44	1.43						
46	3.53	1.37	3.39	1.39	3.61	1.41	3.73	1.42	3.86	1.43	4.13	1.44	4.42	1.46						

12. Capacity Table

Combination (Capacity Index)				Combination (Total)	Combination (%)	Outdoor Temperature (°C,DB)	Indoor Temperature(°C, WB)													
							14		16		18		19		20		22		24	
							TC(kW)	PI(kW)	TC(kW)	PI(kW)	TC(kW)	PI(kW)	TC(kW)	PI(kW)	TC(kW)	PI(kW)	TC(kW)	PI(kW)	TC(kW)	PI(kW)
2000	2500			4500	56%	10	4.07	1.00	5.73	1.03	5.84	1.05	5.91	1.07	5.98	1.08	6.15	1.10	6.34	1.12
						12	4.07	1.03	5.58	1.06	5.69	1.08	5.76	1.09	5.84	1.10	6.02	1.13	6.22	1.15
						14	4.07	1.06	5.43	1.08	5.55	1.11	5.63	1.12	5.71	1.13	5.89	1.15	6.10	1.17
						16	4.07	1.08	5.29	1.11	5.42	1.13	5.50	1.14	5.58	1.16	5.77	1.18	5.99	1.20
						18	4.07	1.11	5.15	1.14	5.29	1.16	5.37	1.17	5.46	1.18	5.66	1.21	5.89	1.23
						20	4.07	1.14	5.02	1.16	5.17	1.19	5.25	1.20	5.34	1.21	5.55	1.23	5.79	1.25
						21	4.07	1.15	4.96	1.18	5.11	1.20	5.19	1.21	5.29	1.22	5.50	1.25	5.74	1.27
						23	4.07	1.18	4.83	1.21	4.99	1.23	5.09	1.24	5.18	1.25	5.40	1.28	5.65	1.30
						25	4.07	1.21	4.72	1.24	4.89	1.26	4.98	1.27	5.09	1.28	5.31	1.31	5.57	1.33
						27	4.07	1.24	4.61	1.27	4.79	1.29	4.89	1.30	4.99	1.31	5.23	1.34	5.49	1.36
						29	4.07	1.27	4.51	1.30	4.69	1.32	4.80	1.33	4.91	1.35	5.15	1.37	5.42	1.39
						31	4.07	1.31	4.42	1.33	4.61	1.36	4.71	1.37	4.83	1.38	5.08	1.40	5.36	1.42
						33	4.07	1.34	4.33	1.36	4.53	1.39	4.64	1.40	4.76	1.41	5.01	1.43	5.30	1.45
						35	4.07	1.37	4.24	1.40	4.45	1.42	4.60	1.43	4.69	1.44	4.96	1.47	5.25	1.49
						37	4.07	1.41	4.17	1.43	4.38	1.46	4.50	1.47	4.63	1.48	4.90	1.50	5.21	1.52
						39	4.07	1.44	4.10	1.47	4.32	1.49	4.44	1.50	4.57	1.51	4.86	1.54	5.17	1.56
42	4.07	1.50	4.01	1.52	4.24	1.55	4.37	1.56	4.51	1.57	4.80	1.59	5.12	1.61						
44	4.07	1.54	3.95	1.56	4.20	1.58	4.33	1.59	4.47	1.61	4.77	1.63	5.10	1.65						
46	4.07	1.57	3.90	1.60	4.16	1.62	4.29	1.63	4.44	1.64	4.75	1.66	5.09	1.68						
2000	3500			5500	69%	10	4.86	1.20	6.86	1.23	6.99	1.26	7.06	1.28	7.15	1.29	7.35	1.32	7.59	1.34
						12	4.86	1.23	6.67	1.26	6.81	1.29	6.89	1.31	6.98	1.32	7.19	1.35	7.44	1.37
						14	4.86	1.26	6.49	1.29	6.64	1.32	6.73	1.34	6.82	1.35	7.04	1.38	7.30	1.40
						16	4.86	1.29	6.32	1.32	6.48	1.35	6.57	1.37	6.67	1.38	6.90	1.41	7.16	1.43
						18	4.86	1.33	6.16	1.36	6.32	1.39	6.42	1.40	6.53	1.41	6.76	1.44	7.04	1.47
						20	4.86	1.36	6.00	1.39	6.18	1.42	6.28	1.43	6.39	1.45	6.64	1.47	6.92	1.50
						21	4.86	1.38	5.92	1.41	6.11	1.44	6.21	1.45	6.32	1.46	6.58	1.49	6.86	1.52
						23	4.86	1.41	5.78	1.44	5.97	1.47	6.08	1.49	6.20	1.50	6.46	1.53	6.76	1.55
						25	4.86	1.45	5.64	1.48	5.84	1.51	5.96	1.52	6.08	1.54	6.35	1.56	6.66	1.59
						27	4.86	1.49	5.51	1.52	5.72	1.54	5.84	1.56	5.97	1.57	6.25	1.60	6.57	1.62
						29	4.86	1.52	5.39	1.55	5.61	1.58	5.74	1.60	5.87	1.61	6.16	1.64	6.48	1.66
						31	4.86	1.56	5.28	1.59	5.51	1.62	5.64	1.63	5.77	1.65	6.07	1.67	6.41	1.70
						33	4.86	1.60	5.17	1.63	5.41	1.66	5.54	1.67	5.69	1.69	5.99	1.71	6.34	1.74
						35	4.86	1.64	5.07	1.67	5.32	1.70	5.50	1.71	5.61	1.73	5.92	1.75	6.28	1.78
						37	4.86	1.69	4.98	1.71	5.24	1.74	5.38	1.76	5.53	1.77	5.86	1.79	6.23	1.82
						39	4.86	1.73	4.90	1.76	5.17	1.78	5.31	1.80	5.47	1.81	5.81	1.84	6.18	1.86
42	4.86	1.79	4.79	1.82	5.07	1.85	5.22	1.86	5.39	1.88	5.74	1.90	6.13	1.93						
44	4.86	1.84	4.72	1.87	5.02	1.89	5.17	1.91	5.34	1.92	5.70	1.95	6.10	1.97						
46	4.86	1.88	4.67	1.91	4.97	1.94	5.13	1.95	5.30	1.97	5.68	1.99	6.08	2.01						

12. Capacity Table

Combination (Capacity Index)				Combination (Total)	Combination (%)	Outdoor Temperature (°C, DB)	Indoor Temperature(°C, WB)													
							14		16		18		19		20		22		24	
							TC(kW)	PI(kW)	TC(kW)	PI(kW)	TC(kW)	PI(kW)	TC(kW)	PI(kW)	TC(kW)	PI(kW)	TC(kW)	PI(kW)	TC(kW)	PI(kW)
2000	5000			7000	88%	10	6.36	1.57	8.98	1.61	9.15	1.65	9.25	1.67	9.36	1.69	9.62	1.72	9.93	1.76
						12	6.36	1.61	8.73	1.65	8.91	1.69	9.02	1.71	9.14	1.73	9.42	1.76	9.74	1.80
						14	6.36	1.65	8.50	1.69	8.69	1.73	8.81	1.75	8.93	1.77	9.22	1.80	9.55	1.84
						16	6.36	1.70	8.27	1.74	8.48	1.77	8.60	1.79	8.73	1.81	9.03	1.85	9.38	1.88
						18	6.36	1.74	8.06	1.78	8.28	1.82	8.41	1.83	8.54	1.85	8.86	1.89	9.21	1.92
						20	6.36	1.78	7.85	1.82	8.09	1.86	8.22	1.88	8.36	1.90	8.69	1.93	9.06	1.97
						21	6.36	1.81	7.76	1.84	7.99	1.88	8.13	1.90	8.28	1.92	8.61	1.95	8.98	1.99
						23	6.36	1.85	7.57	1.89	7.82	1.93	7.96	1.95	8.11	1.96	8.46	2.00	8.85	2.03
						25	6.36	1.90	7.39	1.94	7.65	1.98	7.80	1.99	7.96	2.01	8.32	2.05	8.72	2.08
						27	6.36	1.95	7.22	1.99	7.49	2.02	7.65	2.04	7.82	2.06	8.18	2.09	8.60	2.13
						29	6.36	2.00	7.06	2.04	7.35	2.07	7.51	2.09	7.68	2.11	8.06	2.14	8.49	2.18
						31	6.36	2.05	6.91	2.09	7.21	2.12	7.38	2.14	7.56	2.16	7.95	2.19	8.39	2.23
						33	6.36	2.10	6.77	2.14	7.08	2.17	7.26	2.19	7.44	2.21	7.85	2.24	8.30	2.28
						35	6.36	2.15	6.64	2.19	6.97	2.23	7.20	2.24	7.34	2.26	7.76	2.30	8.22	2.33
						37	6.36	2.21	6.52	2.25	6.86	2.28	7.05	2.30	7.24	2.32	7.67	2.35	8.15	2.38
						39	6.36	2.26	6.41	2.30	6.76	2.34	6.96	2.35	7.16	2.37	7.60	2.41	8.09	2.44
42	6.36	2.35	6.27	2.39	6.64	2.42	6.84	2.44	7.05	2.46	7.51	2.49	8.02	2.52						
44	6.36	2.41	6.18	2.44	6.57	2.48	6.77	2.50	6.99	2.52	7.47	2.55	7.99	2.58						
46	6.36	2.47	6.11	2.50	6.50	2.54	6.72	2.56	6.94	2.57	7.43	2.61	7.96	2.64						
2000	6800			8800	110%	10	6.36	1.57	9.29	1.69	9.46	1.73	9.57	1.75	9.69	1.77	9.96	1.81	10.28	1.85
						12	6.36	1.61	9.03	1.73	9.22	1.77	9.34	1.79	9.46	1.81	9.74	1.85	10.07	1.89
						14	6.36	1.65	8.79	1.78	8.99	1.82	9.11	1.84	9.24	1.86	9.54	1.89	9.88	1.93
						16	6.36	1.70	8.56	1.82	8.77	1.86	8.90	1.88	9.04	1.90	9.35	1.94	9.70	1.97
						18	6.36	1.74	8.34	1.87	8.57	1.91	8.70	1.92	8.84	1.94	9.16	1.98	9.53	2.02
						20	6.36	1.78	8.13	1.91	8.37	1.95	8.51	1.97	8.66	1.99	8.99	2.03	9.37	2.06
						21	6.36	1.81	8.03	1.94	8.27	1.97	8.41	1.99	8.57	2.01	8.91	2.05	9.30	2.08
						23	6.36	1.85	7.83	1.98	8.09	2.02	8.24	2.04	8.40	2.06	8.75	2.10	9.15	2.13
						25	6.36	1.90	7.64	2.03	7.92	2.07	8.07	2.09	8.24	2.11	8.60	2.15	9.02	2.18
						27	6.36	1.95	7.47	2.08	7.75	2.12	7.91	2.14	8.09	2.16	8.47	2.20	8.90	2.23
						29	6.36	2.00	7.30	2.14	7.60	2.17	7.77	2.19	7.95	2.21	8.34	2.25	8.78	2.28
						31	6.36	2.05	7.15	2.19	7.46	2.23	7.63	2.25	7.82	2.26	8.23	2.30	8.68	2.34
						33	6.36	2.10	7.01	2.24	7.33	2.28	7.51	2.30	7.70	2.32	8.12	2.35	8.59	2.39
						35	6.36	2.15	6.87	2.30	7.21	2.34	7.45	2.35	7.59	2.37	8.02	2.41	8.50	2.44
						37	6.36	2.21	6.75	2.36	7.10	2.39	7.29	2.41	7.50	2.43	7.94	2.47	8.43	2.50
						39	6.36	2.26	6.64	2.41	7.00	2.45	7.20	2.47	7.41	2.49	7.87	2.52	8.37	2.56
42	6.36	2.35	6.49	2.50	6.87	2.54	7.08	2.56	7.30	2.58	7.77	2.61	8.30	2.65						
44	6.36	2.41	6.40	2.56	6.79	2.60	7.01	2.62	7.24	2.64	7.73	2.67	8.26	2.71						
46	6.36	2.47	6.32	2.63	6.73	2.66	6.95	2.68	7.19	2.70	7.69	2.74	8.24	2.77						

12. Capacity Table

Combination (Capacity Index)				Combination (Total)	Combination (%)	Outdoor Temperature (°C,DB)	Indoor Temperature(°C, WB)													
							14		16		18		19		20		22		24	
							TC(kW)	PI(kW)	TC(kW)	PI(kW)	TC(kW)	PI(kW)	TC(kW)	PI(kW)	TC(kW)	PI(kW)	TC(kW)	PI(kW)	TC(kW)	PI(kW)
2500	2500			5000	63%	10	4.60	1.17	6.48	1.20	6.61	1.22	6.68	1.24	6.76	1.25	6.95	1.28	7.17	1.30
						12	4.60	1.20	6.31	1.22	6.44	1.25	6.52	1.27	6.60	1.28	6.80	1.31	7.03	1.33
						14	4.60	1.23	6.14	1.25	6.28	1.28	6.36	1.30	6.45	1.31	6.66	1.34	6.90	1.36
						16	4.60	1.26	5.97	1.29	6.12	1.31	6.21	1.33	6.31	1.34	6.52	1.37	6.77	1.39
						18	4.60	1.29	5.82	1.32	5.98	1.35	6.07	1.36	6.17	1.37	6.40	1.40	6.65	1.42
						20	4.60	1.32	5.67	1.35	5.84	1.38	5.94	1.39	6.04	1.41	6.28	1.43	6.54	1.46
						21	4.60	1.34	5.60	1.37	5.77	1.39	5.87	1.41	5.98	1.42	6.22	1.45	6.49	1.47
						23	4.60	1.37	5.47	1.40	5.65	1.43	5.75	1.44	5.86	1.46	6.11	1.48	6.39	1.51
						25	4.60	1.41	5.34	1.44	5.53	1.46	5.63	1.48	5.75	1.49	6.01	1.52	6.29	1.54
						27	4.60	1.44	5.21	1.47	5.41	1.50	5.52	1.51	5.64	1.53	5.91	1.55	6.21	1.58
						29	4.60	1.48	5.10	1.51	5.31	1.54	5.42	1.55	5.55	1.56	5.82	1.59	6.13	1.61
						31	4.60	1.52	4.99	1.55	5.21	1.57	5.33	1.59	5.46	1.60	5.74	1.63	6.06	1.65
						33	4.60	1.56	4.89	1.58	5.12	1.61	5.24	1.62	5.38	1.64	5.67	1.66	5.99	1.69
						35	4.60	1.60	4.80	1.62	5.03	1.65	5.20	1.66	5.30	1.68	5.60	1.70	5.94	1.73
						37	4.60	1.64	4.71	1.66	4.95	1.69	5.09	1.70	5.23	1.72	5.54	1.74	5.89	1.77
						39	4.60	1.68	4.63	1.71	4.89	1.73	5.02	1.74	5.17	1.76	5.49	1.78	5.84	1.81
42	4.60	1.74	4.53	1.77	4.79	1.80	4.94	1.81	5.09	1.82	5.43	1.85	5.79	1.87						
44	4.60	1.78	4.47	1.81	4.74	1.84	4.89	1.85	5.05	1.86	5.39	1.89	5.77	1.91						
46	4.60	1.83	4.41	1.86	4.70	1.88	4.85	1.90	5.02	1.91	5.37	1.93	5.75	1.96						
2500	3000			6000	75%	10	5.39	1.33	7.60	1.37	7.75	1.40	7.83	1.42	7.93	1.43	8.15	1.46	8.41	1.49
						12	5.39	1.37	7.40	1.40	7.55	1.43	7.64	1.45	7.75	1.47	7.98	1.50	8.25	1.53
						14	5.39	1.40	7.20	1.44	7.36	1.47	7.46	1.48	7.57	1.50	7.81	1.53	8.09	1.56
						16	5.39	1.44	7.01	1.47	7.18	1.50	7.29	1.52	7.40	1.54	7.65	1.57	7.94	1.59
						18	5.39	1.47	6.83	1.51	7.01	1.54	7.12	1.56	7.24	1.57	7.50	1.60	7.81	1.63
						20	5.39	1.51	6.65	1.55	6.85	1.58	6.96	1.59	7.09	1.61	7.36	1.64	7.67	1.67
						21	5.39	1.53	6.57	1.56	6.77	1.60	6.89	1.61	7.01	1.63	7.29	1.66	7.61	1.69
						23	5.39	1.57	6.41	1.60	6.62	1.64	6.74	1.65	6.87	1.67	7.16	1.70	7.49	1.72
						25	5.39	1.61	6.26	1.64	6.48	1.68	6.61	1.69	6.74	1.71	7.04	1.74	7.38	1.76
						27	5.39	1.65	6.12	1.68	6.35	1.72	6.48	1.73	6.62	1.75	6.93	1.78	7.28	1.80
						29	5.39	1.69	5.98	1.73	6.22	1.76	6.36	1.77	6.51	1.79	6.83	1.82	7.19	1.85
						31	5.39	1.74	5.85	1.77	6.11	1.80	6.25	1.82	6.40	1.83	6.73	1.86	7.11	1.89
						33	5.39	1.78	5.74	1.81	6.00	1.84	6.15	1.86	6.31	1.87	6.65	1.90	7.03	1.93
						35	5.39	1.83	5.63	1.86	5.90	1.89	6.10	1.90	6.22	1.92	6.57	1.95	6.96	1.98
						37	5.39	1.87	5.53	1.90	5.81	1.94	5.97	1.95	6.14	1.97	6.50	1.99	6.90	2.02
						39	5.39	1.92	5.43	1.95	5.73	1.98	5.89	2.00	6.07	2.01	6.44	2.04	6.85	2.07
42	5.39	1.99	5.31	2.02	5.62	2.05	5.79	2.07	5.97	2.08	6.37	2.11	6.79	2.14						
44	5.39	2.04	5.24	2.07	5.56	2.10	5.74	2.12	5.92	2.13	6.33	2.16	6.77	2.19						
46	5.39	2.09	5.18	2.12	5.51	2.15	5.69	2.17	5.88	2.18	6.29	2.21	6.74	2.24						

12. Capacity Table

Combination (Capacity Index)				Combination (Total)	Combination (%)	Outdoor Temperature (°C, DB)	Indoor Temperature(°C, WB)													
							14		16		18		19		20		22		24	
							TC(kW)	PI(kW)	TC(kW)	PI(kW)	TC(kW)	PI(kW)	TC(kW)	PI(kW)	TC(kW)	PI(kW)	TC(kW)	PI(kW)	TC(kW)	PI(kW)
2500	5000			7500	94%	10	6.36	1.57	8.98	1.61	9.15	1.65	9.25	1.67	9.36	1.69	9.62	1.72	9.93	1.76
						12	6.36	1.61	8.73	1.65	8.91	1.69	9.02	1.71	9.14	1.73	9.42	1.76	9.74	1.80
						14	6.36	1.65	8.50	1.69	8.69	1.73	8.81	1.75	8.93	1.77	9.22	1.80	9.55	1.84
						16	6.36	1.70	8.27	1.74	8.48	1.77	8.60	1.79	8.73	1.81	9.03	1.85	9.38	1.88
						18	6.36	1.74	8.06	1.78	8.28	1.82	8.41	1.83	8.54	1.85	8.86	1.89	9.21	1.92
						20	6.36	1.78	7.85	1.82	8.09	1.86	8.22	1.88	8.36	1.90	8.69	1.93	9.06	1.97
						21	6.36	1.81	7.76	1.84	7.99	1.88	8.13	1.90	8.28	1.92	8.61	1.95	8.98	1.99
						23	6.36	1.85	7.57	1.89	7.82	1.93	7.96	1.95	8.11	1.96	8.46	2.00	8.85	2.03
						25	6.36	1.90	7.39	1.94	7.65	1.98	7.80	1.99	7.96	2.01	8.32	2.05	8.72	2.08
						27	6.36	1.95	7.22	1.99	7.49	2.02	7.65	2.04	7.82	2.06	8.18	2.09	8.60	2.13
						29	6.36	2.00	7.06	2.04	7.35	2.07	7.51	2.09	7.68	2.11	8.06	2.14	8.49	2.18
						31	6.36	2.05	6.91	2.09	7.21	2.12	7.38	2.14	7.56	2.16	7.95	2.19	8.39	2.23
						33	6.36	2.10	6.77	2.14	7.08	2.17	7.26	2.19	7.44	2.21	7.85	2.24	8.30	2.28
						35	6.36	2.15	6.64	2.19	6.97	2.23	7.20	2.24	7.34	2.26	7.76	2.30	8.22	2.33
						37	6.36	2.21	6.52	2.25	6.86	2.28	7.05	2.30	7.24	2.32	7.67	2.35	8.15	2.38
						39	6.36	2.26	6.41	2.30	6.76	2.34	6.96	2.35	7.16	2.37	7.60	2.41	8.09	2.44
						42	6.36	2.35	6.27	2.39	6.64	2.42	6.84	2.44	7.05	2.46	7.51	2.49	8.02	2.52
44	6.36	2.41	6.18	2.44	6.57	2.48	6.77	2.50	6.99	2.52	7.47	2.55	7.99	2.58						
46	6.36	2.47	6.11	2.50	6.50	2.54	6.72	2.56	6.94	2.57	7.43	2.61	7.96	2.64						
2500	6800			9300	116%	10	6.36	1.57	9.41	1.71	9.59	1.76	9.70	1.78	9.82	1.79	10.09	1.83	10.41	1.87
						12	6.36	1.61	9.16	1.76	9.35	1.80	9.46	1.82	9.59	1.84	9.87	1.87	10.21	1.91
						14	6.36	1.65	8.91	1.80	9.11	1.84	9.23	1.86	9.37	1.88	9.67	1.92	10.02	1.95
						16	6.36	1.70	8.68	1.84	8.89	1.88	9.02	1.90	9.16	1.92	9.47	1.96	9.83	2.00
						18	6.36	1.74	8.45	1.89	8.68	1.93	8.81	1.95	8.96	1.97	9.29	2.01	9.66	2.04
						20	6.36	1.78	8.24	1.94	8.48	1.98	8.62	2.00	8.77	2.01	9.11	2.05	9.50	2.09
						21	6.36	1.81	8.13	1.96	8.38	2.00	8.53	2.02	8.68	2.04	9.03	2.08	9.42	2.11
						23	6.36	1.85	7.93	2.01	8.20	2.05	8.35	2.07	8.51	2.09	8.87	2.12	9.28	2.16
						25	6.36	1.90	7.75	2.06	8.02	2.10	8.18	2.12	8.35	2.14	8.72	2.17	9.14	2.21
						27	6.36	1.95	7.57	2.11	7.86	2.15	8.02	2.17	8.20	2.19	8.58	2.22	9.01	2.26
						29	6.36	2.00	7.40	2.16	7.70	2.20	7.87	2.22	8.05	2.24	8.45	2.28	8.90	2.31
						31	6.36	2.05	7.25	2.22	7.56	2.26	7.74	2.27	7.92	2.29	8.34	2.33	8.80	2.36
						33	6.36	2.10	7.10	2.27	7.43	2.31	7.61	2.33	7.80	2.35	8.23	2.38	8.70	2.42
						35	6.36	2.15	6.97	2.33	7.31	2.37	7.55	2.38	7.70	2.40	8.13	2.44	8.62	2.47
						37	6.36	2.21	6.84	2.39	7.19	2.42	7.39	2.44	7.60	2.46	8.05	2.50	8.55	2.53
						39	6.36	2.26	6.73	2.44	7.09	2.48	7.29	2.50	7.51	2.52	7.97	2.56	8.48	2.59
						42	6.36	2.35	6.57	2.54	6.96	2.57	7.17	2.59	7.40	2.61	7.88	2.65	8.41	2.68
44	6.36	2.41	6.49	2.60	6.89	2.64	7.10	2.65	7.33	2.67	7.83	2.71	8.37	2.74						
46	6.36	2.47	6.41	2.66	6.82	2.70	7.05	2.72	7.28	2.74	7.79	2.77	8.35	2.80						

12. Capacity Table

Combination (Capacity Index)				Combination (Total)	Combination (%)	Outdoor Temperature (°C, DB)	Indoor Temperature(°C, WB)													
							14		16		18		19		20		22		24	
							TC(kW)	PI(kW)	TC(kW)	PI(kW)	TC(kW)	PI(kW)	TC(kW)	PI(kW)	TC(kW)	PI(kW)	TC(kW)	PI(kW)	TC(kW)	PI(kW)
3500	3500			7000	88%	10	6.19	1.75	8.73	1.79	8.89	1.84	8.99	1.86	9.10	1.88	9.36	1.92	9.66	1.96
						12	6.19	1.79	8.49	1.84	8.67	1.88	8.77	1.90	8.89	1.92	9.15	1.96	9.47	2.00
						14	6.19	1.84	8.26	1.88	8.45	1.92	8.56	1.95	8.68	1.97	8.96	2.01	9.29	2.04
						16	6.19	1.89	8.04	1.93	8.24	1.97	8.36	1.99	8.49	2.01	8.78	2.05	9.12	2.09
						18	6.19	1.93	7.83	1.98	8.05	2.02	8.17	2.04	8.31	2.06	8.61	2.10	8.96	2.14
						20	6.19	1.98	7.64	2.03	7.86	2.07	7.99	2.09	8.13	2.11	8.45	2.15	8.81	2.18
						21	6.19	2.01	7.54	2.05	7.77	2.09	7.90	2.11	8.05	2.13	8.37	2.17	8.74	2.21
						23	6.19	2.06	7.36	2.10	7.60	2.14	7.74	2.16	7.89	2.18	8.22	2.22	8.60	2.26
						25	6.19	2.11	7.18	2.15	7.44	2.20	7.58	2.22	7.74	2.24	8.08	2.27	8.47	2.31
						27	6.19	2.16	7.02	2.21	7.29	2.25	7.44	2.27	7.60	2.29	7.96	2.33	8.36	2.36
						29	6.19	2.22	6.86	2.26	7.14	2.30	7.30	2.32	7.47	2.34	7.84	2.38	8.25	2.42
						31	6.19	2.28	6.72	2.32	7.01	2.36	7.17	2.38	7.35	2.40	7.73	2.44	8.15	2.47
						33	6.19	2.33	6.58	2.38	6.89	2.42	7.06	2.44	7.24	2.46	7.63	2.49	8.07	2.53
						35	6.19	2.39	6.46	2.44	6.77	2.48	7.00	2.49	7.13	2.52	7.54	2.55	7.99	2.59
						37	6.19	2.45	6.34	2.50	6.67	2.54	6.85	2.56	7.04	2.58	7.46	2.61	7.92	2.65
						39	6.19	2.52	6.24	2.56	6.58	2.60	6.76	2.62	6.96	2.64	7.39	2.67	7.87	2.71
42	6.19	2.61	6.09	2.65	6.45	2.69	6.65	2.71	6.86	2.73	7.30	2.77	7.80	2.80						
44	6.19	2.68	6.01	2.72	6.38	2.76	6.59	2.78	6.80	2.80	7.26	2.83	7.76	2.87						
46	6.19	2.74	5.94	2.78	6.32	2.82	6.53	2.84	6.75	2.86	7.22	2.90	7.74	2.93						
3500	5000			8500	106%	10	6.50	1.61	9.16	1.65	9.34	1.69	9.44	1.71	9.56	1.73	9.82	1.76	10.14	1.80
						12	6.50	1.65	8.91	1.69	9.10	1.73	9.21	1.75	9.33	1.77	9.61	1.80	9.94	1.84
						14	6.50	1.69	8.67	1.73	8.87	1.77	8.99	1.79	9.12	1.81	9.41	1.84	9.75	1.88
						16	6.50	1.73	8.45	1.77	8.66	1.81	8.78	1.83	8.92	1.85	9.22	1.89	9.57	1.92
						18	6.50	1.78	8.23	1.82	8.45	1.86	8.58	1.88	8.72	1.89	9.04	1.93	9.40	1.96
						20	6.50	1.82	8.02	1.86	8.26	1.90	8.39	1.92	8.54	1.94	8.87	1.97	9.25	2.01
						21	6.50	1.85	7.92	1.89	8.16	1.92	8.30	1.94	8.45	1.96	8.79	2.00	9.17	2.03
						23	6.50	1.89	7.72	1.93	7.98	1.97	8.13	1.99	8.28	2.01	8.63	2.04	9.03	2.08
						25	6.50	1.94	7.54	1.98	7.81	2.02	7.96	2.04	8.13	2.06	8.49	2.09	8.90	2.13
						27	6.50	1.99	7.37	2.03	7.65	2.07	7.81	2.09	7.98	2.11	8.35	2.14	8.78	2.17
						29	6.50	2.04	7.21	2.08	7.50	2.12	7.67	2.14	7.84	2.16	8.23	2.19	8.66	2.22
						31	6.50	2.09	7.05	2.13	7.36	2.17	7.53	2.19	7.71	2.21	8.12	2.24	8.56	2.28
						33	6.50	2.15	6.91	2.19	7.23	2.22	7.41	2.24	7.60	2.26	8.01	2.29	8.47	2.33
						35	6.50	2.20	6.78	2.24	7.11	2.28	7.35	2.29	7.49	2.31	7.92	2.35	8.39	2.38
						37	6.50	2.26	6.66	2.30	7.00	2.33	7.19	2.35	7.40	2.37	7.83	2.40	8.32	2.44
						39	6.50	2.31	6.55	2.35	6.90	2.39	7.10	2.41	7.31	2.42	7.76	2.46	8.26	2.49
42	6.50	2.40	6.40	2.44	6.78	2.48	6.98	2.49	7.20	2.51	7.67	2.55	8.19	2.58						
44	6.50	2.46	6.31	2.50	6.70	2.54	6.92	2.55	7.14	2.57	7.62	2.61	8.15	2.64						
46	6.50	2.52	6.24	2.56	6.64	2.60	6.86	2.61	7.09	2.63	7.58	2.67	8.13	2.70						

12. Capacity Table

Combination (Capacity Index)				Combination (Total)	Combination (%)	Outdoor Temperature (°C, DB)	Indoor Temperature(°C, WB)													
							14		16		18		19		20		22		24	
							TC(kW)	PI(kW)	TC(kW)	PI(kW)	TC(kW)	PI(kW)	TC(kW)	PI(kW)	TC(kW)	PI(kW)	TC(kW)	PI(kW)	TC(kW)	PI(kW)
3500	6800			10300	129%	10	6.50	1.61	9.60	1.73	9.78	1.77	9.89	1.79	10.01	1.81	10.29	1.85	10.62	1.89
						12	6.50	1.65	9.34	1.77	9.53	1.81	9.65	1.83	9.78	1.85	10.07	1.89	10.41	1.93
						14	6.50	1.69	9.09	1.81	9.30	1.86	9.42	1.88	9.55	1.89	9.86	1.93	10.22	1.97
						16	6.50	1.73	8.85	1.86	9.07	1.90	9.20	1.92	9.34	1.94	9.66	1.98	10.03	2.01
						18	6.50	1.78	8.62	1.91	8.85	1.95	8.99	1.97	9.14	1.98	9.47	2.02	9.85	2.06
						20	6.50	1.82	8.40	1.95	8.65	1.99	8.79	2.01	8.95	2.03	9.29	2.07	9.69	2.11
						21	6.50	1.85	8.29	1.98	8.55	2.02	8.70	2.04	8.85	2.06	9.21	2.09	9.61	2.13
						23	6.50	1.89	8.09	2.03	8.36	2.07	8.51	2.09	8.68	2.10	9.04	2.14	9.46	2.18
						25	6.50	1.94	7.90	2.08	8.18	2.12	8.34	2.14	8.51	2.15	8.89	2.19	9.32	2.23
						27	6.50	1.99	7.72	2.13	8.01	2.17	8.18	2.19	8.36	2.21	8.75	2.24	9.19	2.28
						29	6.50	2.04	7.55	2.18	7.86	2.22	8.03	2.24	8.21	2.26	8.62	2.30	9.08	2.33
						31	6.50	2.09	7.39	2.24	7.71	2.27	7.89	2.29	8.08	2.31	8.50	2.35	8.97	2.38
						33	6.50	2.15	7.24	2.29	7.58	2.33	7.76	2.35	7.96	2.37	8.39	2.40	8.87	2.44
						35	6.50	2.20	7.10	2.35	7.45	2.39	7.70	2.40	7.85	2.42	8.29	2.46	8.79	2.50
						37	6.50	2.26	6.98	2.41	7.34	2.44	7.54	2.46	7.75	2.48	8.21	2.52	8.72	2.55
						39	6.50	2.31	6.86	2.47	7.23	2.50	7.44	2.52	7.66	2.54	8.13	2.58	8.65	2.61
42	6.50	2.40	6.70	2.56	7.10	2.60	7.31	2.61	7.54	2.63	8.03	2.67	8.58	2.70						
44	6.50	2.46	6.61	2.62	7.02	2.66	7.24	2.68	7.48	2.69	7.98	2.73	8.54	2.76						
46	6.50	2.52	6.54	2.68	6.96	2.72	7.18	2.74	7.43	2.76	7.95	2.79	8.51	2.83						
5000	5000			10000	125%	10	8.61	1.67	8.95	1.71	9.29	1.74	9.47	1.76	9.64	1.78	10.00	1.81	10.36	1.85
						12	8.46	1.71	8.80	1.75	9.15	1.79	9.32	1.80	9.50	1.82	9.85	1.86	10.21	1.89
						14	8.31	1.76	8.65	1.80	9.00	1.83	9.17	1.85	9.35	1.87	9.70	1.90	10.06	1.94
						16	8.17	1.81	8.51	1.84	8.85	1.88	9.03	1.90	9.20	1.92	9.56	1.95	9.92	1.99
						18	8.02	1.85	8.36	1.89	8.70	1.93	8.88	1.95	9.05	1.96	9.41	2.00	9.77	2.04
						20	7.87	1.90	8.21	1.94	8.56	1.98	8.73	1.99	8.91	2.01	9.27	2.05	9.63	2.09
						21	7.80	1.93	8.14	1.96	8.48	2.00	8.66	2.02	8.84	2.04	9.19	2.07	9.56	2.11
						23	7.65	1.98	7.99	2.01	8.34	2.05	8.51	2.07	8.69	2.09	9.05	2.12	9.41	2.16
						25	7.50	2.03	7.84	2.06	8.19	2.10	8.37	2.12	8.55	2.14	8.90	2.18	9.27	2.21
						27	7.35	2.08	7.70	2.11	8.05	2.15	8.22	2.17	8.40	2.19	8.76	2.23	9.12	2.26
						29	7.21	2.13	7.55	2.17	7.90	2.20	8.08	2.22	8.26	2.24	8.62	2.28	8.98	2.32
						31	7.06	2.18	7.41	2.22	7.76	2.26	7.93	2.28	8.11	2.30	8.47	2.33	8.84	2.37
						33	6.92	2.23	7.26	2.27	7.61	2.31	7.79	2.33	7.97	2.35	8.33	2.39	8.70	2.43
						35	6.77	2.29	7.12	2.33	7.47	2.37	7.66	2.38	7.83	2.40	8.19	2.44	8.55	2.48
						37	6.63	2.34	6.97	2.38	7.32	2.42	7.50	2.44	7.68	2.46	8.04	2.50	8.41	2.54
						39	6.48	2.40	6.83	2.44	7.18	2.48	7.36	2.50	7.54	2.52	7.90	2.56	8.27	2.59
42	6.27	2.49	6.61	2.52	6.97	2.56	7.15	2.58	7.33	2.60	7.69	2.64	8.06	2.68						
44	6.12	2.54	6.47	2.58	6.83	2.62	7.00	2.64	7.19	2.66	7.55	2.70	7.92	2.74						
46	5.98	2.60	6.33	2.64	6.68	2.68	6.86	2.70	7.04	2.72	7.41	2.76	7.78	2.80						

12. Capacity Table

Combination (Capacity Index)				Combination (Total)	Combination (%)	Outdoor Temperature (°C, DB)	Indoor Temperature(°C, WB)													
							14		16		18		19		20		22		24	
							TC(kW)	PI(kW)	TC(kW)	PI(kW)	TC(kW)	PI(kW)	TC(kW)	PI(kW)	TC(kW)	PI(kW)	TC(kW)	PI(kW)	TC(kW)	PI(kW)
5000	6800			11800	148%	10	8.77	1.70	9.11	1.74	9.46	1.78	9.64	1.80	9.82	1.81	10.18	1.85	10.54	1.89
						12	8.62	1.75	8.96	1.79	9.31	1.82	9.49	1.84	9.67	1.86	10.03	1.90	10.40	1.93
						14	8.47	1.80	8.81	1.83	9.16	1.87	9.34	1.89	9.52	1.91	9.88	1.94	10.25	1.98
						16	8.31	1.84	8.66	1.88	9.01	1.92	9.19	1.94	9.37	1.96	9.73	1.99	10.10	2.03
						18	8.16	1.89	8.51	1.93	8.86	1.97	9.04	1.99	9.22	2.00	9.58	2.04	9.95	2.08
						20	8.01	1.94	8.36	1.98	8.71	2.02	8.89	2.04	9.07	2.05	9.43	2.09	9.80	2.13
						21	7.94	1.97	8.29	2.00	8.64	2.04	8.82	2.06	9.00	2.08	9.36	2.12	9.73	2.16
						23	7.79	2.02	8.14	2.05	8.49	2.09	8.67	2.11	8.85	2.13	9.21	2.17	9.58	2.21
						25	7.64	2.07	7.99	2.11	8.34	2.14	8.52	2.16	8.70	2.18	9.07	2.22	9.44	2.26
						27	7.49	2.12	7.84	2.16	8.19	2.20	8.37	2.22	8.55	2.24	8.92	2.27	9.29	2.31
						29	7.34	2.17	7.69	2.21	8.05	2.25	8.23	2.27	8.41	2.29	8.77	2.33	9.14	2.37
						31	7.19	2.23	7.54	2.27	7.90	2.30	8.08	2.32	8.26	2.34	8.63	2.38	9.00	2.42
						33	7.04	2.28	7.39	2.32	7.75	2.36	7.93	2.38	8.11	2.40	8.48	2.44	8.85	2.48
						35	6.89	2.34	7.25	2.38	7.60	2.42	7.80	2.43	7.97	2.45	8.34	2.49	8.71	2.53
						37	6.75	2.39	7.10	2.43	7.46	2.47	7.64	2.49	7.82	2.51	8.19	2.55	8.57	2.59
						39	6.60	2.45	6.95	2.49	7.31	2.53	7.49	2.55	7.68	2.57	8.05	2.61	8.42	2.65
42	6.38	2.54	6.73	2.58	7.10	2.62	7.28	2.64	7.46	2.66	7.83	2.70	8.21	2.74						
44	6.23	2.60	6.59	2.64	6.95	2.68	7.13	2.70	7.32	2.72	7.69	2.76	8.06	2.80						
46	6.09	2.66	6.44	2.70	6.81	2.74	6.99	2.76	7.17	2.78	7.54	2.82	7.92	2.86						
2000	2000	2000		6000	75%	10	5.30	1.30	7.48	1.33	7.62	1.36	7.71	1.38	7.80	1.40	8.02	1.42	8.28	1.45
						12	5.30	1.33	7.28	1.37	7.43	1.40	7.52	1.41	7.62	1.43	7.85	1.46	8.11	1.49
						14	5.30	1.37	7.08	1.40	7.24	1.43	7.34	1.45	7.44	1.46	7.68	1.49	7.96	1.52
						16	5.30	1.40	6.89	1.43	7.07	1.46	7.17	1.48	7.28	1.49	7.53	1.52	7.81	1.55
						18	5.30	1.44	6.72	1.47	6.90	1.50	7.00	1.52	7.12	1.53	7.38	1.56	7.68	1.59
						20	5.30	1.47	6.55	1.50	6.74	1.54	6.85	1.55	6.97	1.57	7.24	1.60	7.55	1.62
						21	5.30	1.49	6.46	1.52	6.66	1.55	6.78	1.57	6.90	1.58	7.17	1.61	7.49	1.64
						23	5.30	1.53	6.31	1.56	6.51	1.59	6.63	1.61	6.76	1.62	7.05	1.65	7.37	1.68
						25	5.30	1.57	6.16	1.60	6.38	1.63	6.50	1.65	6.63	1.66	6.93	1.69	7.26	1.72
						27	5.30	1.61	6.02	1.64	6.25	1.67	6.37	1.69	6.51	1.70	6.82	1.73	7.16	1.76
						29	5.30	1.65	5.88	1.68	6.12	1.71	6.26	1.73	6.40	1.74	6.72	1.77	7.07	1.80
						31	5.30	1.69	5.76	1.72	6.01	1.75	6.15	1.77	6.30	1.78	6.62	1.81	6.99	1.84
						33	5.30	1.73	5.64	1.77	5.90	1.80	6.05	1.81	6.20	1.83	6.54	1.85	6.92	1.88
						35	5.30	1.78	5.54	1.81	5.81	1.84	6.00	1.85	6.12	1.87	6.46	1.90	6.85	1.92
						37	5.30	1.82	5.44	1.85	5.72	1.88	5.87	1.90	6.04	1.91	6.39	1.94	6.79	1.97
						39	5.30	1.87	5.34	1.90	5.64	1.93	5.80	1.94	5.97	1.96	6.34	1.99	6.74	2.01
42	5.30	1.94	5.22	1.97	5.53	2.00	5.70	2.01	5.88	2.03	6.26	2.06	6.68	2.08						
44	5.30	1.99	5.15	2.02	5.47	2.05	5.64	2.06	5.83	2.08	6.22	2.10	6.65	2.13						
46	5.30	2.04	5.09	2.07	5.42	2.10	5.60	2.11	5.79	2.13	6.19	2.15	6.63	2.18						

12. Capacity Table

Combination (Capacity Index)				Combination (Total)	Combination (%)	Outdoor Temperature (°C, DB)	Indoor Temperature(°C, WB)													
							14		16		18		19		20		22		24	
							TC(kW)	PI(kW)	TC(kW)	PI(kW)	TC(kW)	PI(kW)	TC(kW)	PI(kW)	TC(kW)	PI(kW)	TC(kW)	PI(kW)	TC(kW)	PI(kW)
2000	2000	2500		6500	81%	10	5.83	1.41	8.23	1.44	8.38	1.47	8.48	1.49	8.58	1.51	8.82	1.54	9.10	1.57
						12	5.83	1.44	8.00	1.48	8.17	1.51	8.27	1.53	8.38	1.54	8.63	1.57	8.93	1.61
						14	5.83	1.48	7.79	1.51	7.97	1.55	8.07	1.56	8.19	1.58	8.45	1.61	8.76	1.64
						16	5.83	1.51	7.58	1.55	7.77	1.58	7.88	1.60	8.01	1.62	8.28	1.65	8.60	1.68
						18	5.83	1.55	7.39	1.59	7.59	1.62	7.70	1.64	7.83	1.65	8.12	1.69	8.45	1.72
						20	5.83	1.59	7.20	1.63	7.41	1.66	7.53	1.68	7.67	1.69	7.96	1.72	8.30	1.75
						21	5.83	1.61	7.11	1.65	7.33	1.68	7.45	1.70	7.59	1.71	7.89	1.74	8.24	1.77
						23	5.83	1.65	6.94	1.69	7.17	1.72	7.30	1.74	7.44	1.75	7.75	1.78	8.11	1.81
						25	5.83	1.70	6.77	1.73	7.01	1.76	7.15	1.78	7.30	1.80	7.62	1.83	7.99	1.86
						27	5.83	1.74	6.62	1.77	6.87	1.81	7.01	1.82	7.16	1.84	7.50	1.87	7.88	1.90
						29	5.83	1.78	6.47	1.82	6.74	1.85	6.88	1.87	7.04	1.88	7.39	1.91	7.78	1.94
						31	5.83	1.83	6.33	1.86	6.61	1.90	6.76	1.91	6.93	1.93	7.29	1.96	7.69	1.99
						33	5.83	1.87	6.21	1.91	6.49	1.94	6.65	1.96	6.82	1.97	7.19	2.00	7.61	2.03
						35	5.83	1.92	6.09	1.96	6.39	1.99	6.60	2.00	6.73	2.02	7.11	2.05	7.53	2.08
						37	5.83	1.97	5.98	2.00	6.29	2.04	6.46	2.05	6.64	2.07	7.03	2.10	7.47	2.13
						39	5.83	2.02	5.88	2.05	6.20	2.09	6.38	2.10	6.56	2.12	6.97	2.15	7.42	2.18
42	5.83	2.10	5.75	2.13	6.08	2.16	6.27	2.18	6.46	2.19	6.89	2.22	7.35	2.25						
44	5.83	2.15	5.67	2.18	6.02	2.21	6.21	2.23	6.41	2.25	6.84	2.28	7.32	2.30						
46	5.83	2.20	5.60	2.24	5.96	2.27	6.16	2.28	6.37	2.30	6.81	2.33	7.30	2.36						
2000	2000	3500		7500	94%	10	6.36	1.61	8.98	1.65	9.15	1.69	9.25	1.71	9.36	1.73	9.62	1.76	9.93	1.80
						12	6.36	1.65	8.73	1.69	8.91	1.73	9.02	1.75	9.14	1.77	9.42	1.80	9.74	1.84
						14	6.36	1.69	8.50	1.73	8.69	1.77	8.81	1.79	8.93	1.81	9.22	1.84	9.55	1.88
						16	6.36	1.73	8.27	1.77	8.48	1.81	8.60	1.83	8.73	1.85	9.03	1.89	9.38	1.92
						18	6.36	1.78	8.06	1.82	8.28	1.86	8.41	1.88	8.54	1.89	8.86	1.93	9.21	1.96
						20	6.36	1.82	7.85	1.86	8.09	1.90	8.22	1.92	8.36	1.94	8.69	1.97	9.06	2.01
						21	6.36	1.85	7.76	1.89	7.99	1.92	8.13	1.94	8.28	1.96	8.61	2.00	8.98	2.03
						23	6.36	1.89	7.57	1.93	7.82	1.97	7.96	1.99	8.11	2.01	8.46	2.04	8.85	2.08
						25	6.36	1.94	7.39	1.98	7.65	2.02	7.80	2.04	7.96	2.06	8.32	2.09	8.72	2.13
						27	6.36	1.99	7.22	2.03	7.49	2.07	7.65	2.09	7.82	2.11	8.18	2.14	8.60	2.17
						29	6.36	2.04	7.06	2.08	7.35	2.12	7.51	2.14	7.68	2.16	8.06	2.19	8.49	2.22
						31	6.36	2.09	6.91	2.13	7.21	2.17	7.38	2.19	7.56	2.21	7.95	2.24	8.39	2.28
						33	6.36	2.15	6.77	2.19	7.08	2.22	7.26	2.24	7.44	2.26	7.85	2.29	8.30	2.33
						35	6.36	2.20	6.64	2.24	6.97	2.28	7.20	2.29	7.34	2.31	7.76	2.35	8.22	2.38
						37	6.36	2.26	6.52	2.30	6.86	2.33	7.05	2.35	7.24	2.37	7.67	2.40	8.15	2.44
						39	6.36	2.31	6.41	2.35	6.76	2.39	6.96	2.41	7.16	2.42	7.60	2.46	8.09	2.49
42	6.36	2.40	6.27	2.44	6.64	2.48	6.84	2.49	7.05	2.51	7.51	2.55	8.02	2.58						
44	6.36	2.46	6.18	2.50	6.57	2.54	6.77	2.55	6.99	2.57	7.47	2.61	7.99	2.64						
46	6.36	2.52	6.11	2.56	6.50	2.60	6.72	2.61	6.94	2.63	7.43	2.67	7.96	2.70						

12. Capacity Table

Combination (Capacity Index)				Combination (Total)	Combination (%)	Outdoor Temperature (°C, DB)	Indoor Temperature(°C, WB)													
							14		16		18		19		20		22		24	
							TC(kW)	PI(kW)	TC(kW)	PI(kW)	TC(kW)	PI(kW)	TC(kW)	PI(kW)	TC(kW)	PI(kW)	TC(kW)	PI(kW)	TC(kW)	PI(kW)
2000	2000	5000	9000	113%	10	8.49	1.59	8.82	1.62	9.16	1.65	9.33	1.67	9.50	1.69	9.85	1.72	10.21	1.75	
					12	8.34	1.63	8.68	1.66	9.01	1.70	9.19	1.71	9.36	1.73	9.71	1.76	10.06	1.80	
					14	8.19	1.67	8.53	1.71	8.87	1.74	9.04	1.76	9.21	1.77	9.56	1.81	9.92	1.84	
					16	8.05	1.72	8.38	1.75	8.72	1.78	8.90	1.80	9.07	1.82	9.42	1.85	9.78	1.89	
					18	7.90	1.76	8.24	1.79	8.58	1.83	8.75	1.85	8.92	1.86	9.28	1.90	9.63	1.93	
					20	7.76	1.81	8.09	1.84	8.43	1.88	8.61	1.89	8.78	1.91	9.13	1.95	9.49	1.98	
					21	7.68	1.83	8.02	1.86	8.36	1.90	8.53	1.92	8.71	1.93	9.06	1.97	9.42	2.00	
					23	7.54	1.88	7.88	1.91	8.22	1.95	8.39	1.96	8.57	1.98	8.92	2.02	9.28	2.05	
					25	7.39	1.92	7.73	1.96	8.07	1.99	8.25	2.01	8.42	2.03	8.78	2.07	9.13	2.10	
					27	7.25	1.97	7.59	2.01	7.93	2.04	8.10	2.06	8.28	2.08	8.63	2.11	8.99	2.15	
					29	7.10	2.02	7.44	2.06	7.79	2.09	7.96	2.11	8.14	2.13	8.49	2.16	8.85	2.20	
					31	6.96	2.07	7.30	2.11	7.65	2.14	7.82	2.16	8.00	2.18	8.35	2.22	8.71	2.25	
					33	6.82	2.12	7.16	2.16	7.50	2.19	7.68	2.21	7.85	2.23	8.21	2.27	8.57	2.30	
					35	6.67	2.17	7.01	2.21	7.36	2.25	7.55	2.26	7.71	2.28	8.07	2.32	8.43	2.36	
					37	6.53	2.23	6.87	2.26	7.22	2.30	7.40	2.32	7.57	2.34	7.93	2.37	8.29	2.41	
					39	6.39	2.28	6.73	2.32	7.08	2.35	7.25	2.37	7.43	2.39	7.79	2.43	8.15	2.46	
42	6.18	2.36	6.52	2.40	6.87	2.43	7.04	2.45	7.22	2.47	7.58	2.51	7.94	2.55						
44	6.03	2.42	6.38	2.45	6.73	2.49	6.90	2.51	7.08	2.53	7.44	2.57	7.81	2.60						
46	5.89	2.47	6.24	2.51	6.59	2.55	6.76	2.57	6.94	2.58	7.30	2.62	7.67	2.66						
2000	2000	6800	10800	135%	10	8.49	1.59	9.35	1.68	9.71	1.71	9.89	1.73	10.07	1.75	10.44	1.78	10.81	1.82	
					12	8.34	1.63	9.19	1.72	9.55	1.76	9.73	1.77	9.92	1.79	10.29	1.83	10.66	1.86	
					14	8.19	1.67	9.04	1.77	9.40	1.80	9.58	1.82	9.76	1.84	10.13	1.87	10.51	1.91	
					16	8.05	1.72	8.88	1.81	9.24	1.85	9.43	1.87	9.61	1.88	9.98	1.92	10.36	1.95	
					18	7.90	1.76	8.73	1.86	9.09	1.89	9.27	1.91	9.46	1.93	9.83	1.97	10.21	2.00	
					20	7.76	1.81	8.57	1.91	8.94	1.94	9.12	1.96	9.30	1.98	9.68	2.01	10.05	2.05	
					21	7.68	1.83	8.50	1.93	8.86	1.97	9.04	1.98	9.23	2.00	9.60	2.04	9.98	2.08	
					23	7.54	1.88	8.34	1.98	8.71	2.02	8.89	2.03	9.08	2.05	9.45	2.09	9.83	2.12	
					25	7.39	1.92	8.19	2.03	8.56	2.07	8.74	2.08	8.92	2.10	9.30	2.14	9.68	2.18	
					27	7.25	1.97	8.04	2.08	8.40	2.12	8.59	2.13	8.77	2.15	9.15	2.19	9.53	2.23	
					29	7.10	2.02	7.89	2.13	8.25	2.17	8.44	2.19	8.62	2.20	9.00	2.24	9.38	2.28	
					31	6.96	2.07	7.74	2.18	8.10	2.22	8.29	2.24	8.47	2.26	8.85	2.29	9.23	2.33	
					33	6.82	2.12	7.58	2.23	7.95	2.27	8.14	2.29	8.32	2.31	8.70	2.35	9.08	2.39	
					35	6.67	2.17	7.43	2.29	7.80	2.33	8.00	2.34	8.17	2.36	8.55	2.40	8.93	2.44	
					37	6.53	2.23	7.28	2.34	7.65	2.38	7.84	2.40	8.02	2.42	8.40	2.46	8.79	2.50	
					39	6.39	2.28	7.13	2.40	7.50	2.44	7.69	2.46	7.87	2.47	8.25	2.51	8.64	2.55	
42	6.18	2.36	6.91	2.48	7.28	2.52	7.46	2.54	7.65	2.56	8.03	2.60	8.42	2.64						
44	6.03	2.42	6.76	2.54	7.13	2.58	7.32	2.60	7.50	2.62	7.88	2.66	8.27	2.70						
46	5.89	2.47	6.61	2.60	6.98	2.64	7.17	2.66	7.36	2.68	7.74	2.72	8.12	2.75						

12. Capacity Table

Combination (Capacity Index)				Combination (Total)	Combination (%)	Outdoor Temperature (°C, DB)	Indoor Temperature(°C, WB)													
							14		16		18		19		20		22		24	
							TC(kW)	PI(kW)	TC(kW)	PI(kW)	TC(kW)	PI(kW)	TC(kW)	PI(kW)	TC(kW)	PI(kW)	TC(kW)	PI(kW)	TC(kW)	PI(kW)
2000	2500	2500		7000	88%	10	6.19	1.56	8.73	1.60	8.89	1.64	8.99	1.66	9.10	1.67	9.36	1.71	9.66	1.74
						12	6.19	1.60	8.49	1.64	8.67	1.68	8.77	1.69	8.89	1.71	9.15	1.75	9.47	1.78
						14	6.19	1.64	8.26	1.68	8.45	1.72	8.56	1.73	8.68	1.75	8.96	1.79	9.29	1.82
						16	6.19	1.68	8.04	1.72	8.24	1.76	8.36	1.78	8.49	1.79	8.78	1.83	9.12	1.86
						18	6.19	1.72	7.83	1.76	8.05	1.80	8.17	1.82	8.31	1.84	8.61	1.87	8.96	1.90
						20	6.19	1.77	7.64	1.81	7.86	1.84	7.99	1.86	8.13	1.88	8.45	1.91	8.81	1.95
						21	6.19	1.79	7.54	1.83	7.77	1.87	7.90	1.88	8.05	1.90	8.37	1.94	8.74	1.97
						23	6.19	1.84	7.36	1.87	7.60	1.91	7.74	1.93	7.89	1.95	8.22	1.98	8.60	2.01
						25	6.19	1.88	7.18	1.92	7.44	1.96	7.58	1.98	7.74	1.99	8.08	2.03	8.47	2.06
						27	6.19	1.93	7.02	1.97	7.29	2.01	7.44	2.02	7.60	2.04	7.96	2.07	8.36	2.11
						29	6.19	1.98	6.86	2.02	7.14	2.05	7.30	2.07	7.47	2.09	7.84	2.12	8.25	2.16
						31	6.19	2.03	6.72	2.07	7.01	2.10	7.17	2.12	7.35	2.14	7.73	2.17	8.15	2.21
						33	6.19	2.08	6.58	2.12	6.89	2.16	7.06	2.17	7.24	2.19	7.63	2.22	8.07	2.26
						35	6.19	2.13	6.46	2.17	6.77	2.21	7.00	2.22	7.13	2.15	7.54	2.28	7.99	2.31
						37	6.19	2.19	6.34	2.23	6.67	2.26	6.85	2.28	7.04	2.30	7.46	2.33	7.92	2.36
						39	6.19	2.24	6.24	2.28	6.58	2.32	6.76	2.33	6.96	2.35	7.39	2.38	7.87	2.42
						42	6.19	2.33	6.09	2.36	6.45	2.40	6.65	2.42	6.86	2.43	7.30	2.47	7.80	2.50
44	6.19	2.39	6.01	2.42	6.38	2.46	6.59	2.48	6.80	2.49	7.26	2.53	7.76	2.56						
46	6.19	2.45	5.94	2.48	6.32	2.52	6.53	2.53	6.75	2.55	7.22	2.58	7.74	2.62						
2000	2500	3500		8000	100%	10	8.22	1.42	8.54	1.45	8.87	1.49	9.04	1.50	9.20	1.52	9.54	1.55	9.88	1.58
						12	8.08	1.46	8.40	1.49	8.73	1.52	8.89	1.54	9.06	1.55	9.40	1.58	9.74	1.62
						14	7.93	1.50	8.26	1.53	8.59	1.56	8.75	1.58	8.92	1.59	9.26	1.62	9.60	1.66
						16	7.79	1.54	8.12	1.57	8.45	1.60	8.61	1.62	8.78	1.63	9.12	1.66	9.46	1.70
						18	7.65	1.58	7.98	1.61	8.31	1.64	8.47	1.66	8.64	1.67	8.98	1.71	9.33	1.74
						20	7.51	1.62	7.84	1.65	8.17	1.68	8.33	1.70	8.50	1.72	8.84	1.75	9.19	1.78
						21	7.44	1.64	7.77	1.67	8.10	1.71	8.26	1.72	8.43	1.74	8.77	1.77	9.12	1.80
						23	7.30	1.68	7.62	1.72	7.96	1.75	8.12	1.76	8.29	1.78	8.63	1.81	8.98	1.84
						25	7.16	1.73	7.49	1.76	7.82	1.79	7.99	1.81	8.15	1.82	8.50	1.86	8.84	1.89
						27	7.02	1.77	7.35	1.80	7.68	1.84	7.85	1.85	8.02	1.87	8.36	1.90	8.71	1.93
						29	6.88	1.82	7.21	1.85	7.54	1.88	7.71	1.90	7.88	1.91	8.22	1.94	8.57	1.98
						31	6.74	1.86	7.07	1.89	7.40	1.93	7.57	1.94	7.74	1.96	8.09	1.99	8.43	2.02
						33	6.60	1.91	6.93	1.94	7.26	1.97	7.43	1.99	7.60	2.00	7.95	2.04	8.30	2.07
						35	6.46	1.95	6.79	1.98	7.13	2.02	7.31	2.03	7.47	2.15	7.81	2.08	8.16	2.12
						37	6.32	2.00	6.65	2.03	6.99	2.07	7.16	2.08	7.33	2.10	7.68	2.13	8.03	2.16
						39	6.19	2.05	6.52	2.08	6.85	2.11	7.02	2.13	7.20	2.15	7.54	2.18	7.89	2.21
						42	5.98	2.12	6.31	2.15	6.65	2.19	6.82	2.20	6.99	2.22	7.34	2.25	7.69	2.29
44	5.84	2.17	6.18	2.20	6.51	2.24	6.68	2.25	6.86	2.27	7.20	2.30	7.56	2.34						
46	5.71	2.22	6.04	2.25	6.38	2.29	6.55	2.30	6.72	2.32	7.07	2.36	7.42	2.39						

12. Capacity Table

Combination (Capacity Index)				Combination (Total)	Combination (%)	Outdoor Temperature (°C, DB)	Indoor Temperature(°C, WB)													
							14		16		18		19		20		22		24	
							TC(kW)	PI(kW)	TC(kW)	PI(kW)	TC(kW)	PI(kW)	TC(kW)	PI(kW)	TC(kW)	PI(kW)	TC(kW)	PI(kW)	TC(kW)	PI(kW)
2000	2500	5000	9500	119%	10	8.60	1.59	8.94	1.62	9.28	1.65	9.46	1.67	9.63	1.69	9.98	1.72	10.34	1.75	
					12	8.45	1.63	8.79	1.66	9.13	1.70	9.31	1.71	9.48	1.73	9.84	1.76	10.20	1.80	
					14	8.30	1.67	8.64	1.71	8.99	1.74	9.16	1.76	9.34	1.77	9.69	1.81	10.05	1.84	
					16	8.15	1.72	8.49	1.75	8.84	1.78	9.01	1.80	9.19	1.82	9.54	1.85	9.90	1.89	
					18	8.01	1.76	8.35	1.79	8.69	1.83	8.87	1.85	9.04	1.86	9.40	1.90	9.76	1.93	
					20	7.86	1.81	8.20	1.84	8.55	1.88	8.72	1.89	8.90	1.91	9.25	1.95	9.61	1.98	
					21	7.78	1.83	8.13	1.86	8.47	1.90	8.65	1.92	8.82	1.93	9.18	1.97	9.54	2.00	
					23	7.64	1.88	7.98	1.91	8.33	1.95	8.50	1.96	8.68	1.98	9.04	2.02	9.40	2.05	
					25	7.49	1.92	7.83	1.96	8.18	1.99	8.36	2.01	8.53	2.03	8.89	2.07	9.26	2.10	
					27	7.34	1.97	7.69	2.01	8.04	2.04	8.21	2.06	8.39	2.08	8.75	2.11	9.11	2.15	
					29	7.20	2.02	7.54	2.06	7.89	2.09	8.07	2.11	8.25	2.13	8.60	2.16	8.97	2.20	
					31	7.05	2.07	7.40	2.11	7.75	2.14	7.92	2.16	8.10	2.18	8.46	2.22	8.83	2.25	
					33	6.91	2.12	7.25	2.16	7.60	2.19	7.78	2.21	7.96	2.23	8.32	2.27	8.68	2.30	
					35	6.76	2.17	7.11	2.21	7.46	2.25	7.65	2.26	7.81	2.28	8.18	2.32	8.54	2.36	
					37	6.62	2.23	6.96	2.26	7.32	2.30	7.49	2.32	7.67	2.34	8.03	2.37	8.40	2.41	
					39	6.47	2.28	6.82	2.32	7.17	2.35	7.35	2.37	7.53	2.39	7.89	2.43	8.26	2.46	
42	6.26	2.36	6.61	2.40	6.96	2.43	7.14	2.45	7.32	2.47	7.68	2.51	8.05	2.55						
44	6.11	2.42	6.46	2.45	6.82	2.49	7.00	2.51	7.18	2.53	7.54	2.57	7.91	2.60						
46	5.97	2.47	6.32	2.51	6.67	2.55	6.85	2.57	7.03	2.58	7.40	2.62	7.77	2.66						
2000	2500	6800	11300	141%	10	8.60	1.59	9.35	1.68	9.71	1.71	9.89	1.73	10.07	1.75	10.44	1.78	10.81	1.82	
					12	8.45	1.63	9.19	1.72	9.55	1.76	9.73	1.77	9.92	1.79	10.29	1.83	10.66	1.86	
					14	8.30	1.67	9.04	1.77	9.40	1.80	9.58	1.82	9.76	1.84	10.13	1.87	10.51	1.91	
					16	8.15	1.72	8.88	1.81	9.24	1.85	9.43	1.87	9.61	1.88	9.98	1.92	10.36	1.95	
					18	8.01	1.76	8.73	1.86	9.09	1.89	9.27	1.91	9.46	1.93	9.83	1.97	10.21	2.00	
					20	7.86	1.81	8.57	1.91	8.94	1.94	9.12	1.96	9.30	1.98	9.68	2.01	10.05	2.05	
					21	7.78	1.83	8.50	1.93	8.86	1.97	9.04	1.98	9.23	2.00	9.60	2.04	9.98	2.08	
					23	7.64	1.88	8.34	1.98	8.71	2.02	8.89	2.03	9.08	2.05	9.45	2.09	9.83	2.12	
					25	7.49	1.92	8.19	2.03	8.56	2.07	8.74	2.08	8.92	2.10	9.30	2.14	9.68	2.18	
					27	7.34	1.97	8.04	2.08	8.40	2.12	8.59	2.13	8.77	2.15	9.15	2.19	9.53	2.23	
					29	7.20	2.02	7.89	2.13	8.25	2.17	8.44	2.19	8.62	2.20	9.00	2.24	9.38	2.28	
					31	7.05	2.07	7.74	2.18	8.10	2.22	8.29	2.24	8.47	2.26	8.85	2.29	9.23	2.33	
					33	6.91	2.12	7.58	2.23	7.95	2.27	8.14	2.29	8.32	2.31	8.70	2.35	9.08	2.39	
					35	6.76	2.17	7.43	2.29	7.80	2.33	8.00	2.34	8.17	2.36	8.55	2.40	8.93	2.44	
					37	6.62	2.23	7.28	2.34	7.65	2.38	7.84	2.40	8.02	2.42	8.40	2.46	8.79	2.50	
					39	6.47	2.28	7.13	2.40	7.50	2.44	7.69	2.46	7.87	2.47	8.25	2.51	8.64	2.55	
42	6.26	2.36	6.91	2.48	7.28	2.52	7.46	2.54	7.65	2.56	8.03	2.60	8.42	2.64						
44	6.11	2.42	6.76	2.54	7.13	2.58	7.32	2.60	7.50	2.62	7.88	2.66	8.27	2.70						
46	5.97	2.47	6.61	2.60	6.98	2.64	7.17	2.66	7.36	2.68	7.74	2.72	8.12	2.75						

12. Capacity Table

Combination (Capacity Index)				Combination (Total)	Combination (%)	Outdoor Temperature (°C, DB)	Indoor Temperature(°C, WB)													
							14		16		18		19		20		22		24	
							TC(kW)	PI(kW)	TC(kW)	PI(kW)	TC(kW)	PI(kW)	TC(kW)	PI(kW)	TC(kW)	PI(kW)	TC(kW)	PI(kW)	TC(kW)	PI(kW)
2000	3500	3500	9000	113%	10	8.48	1.59	8.81	1.62	9.15	1.65	9.32	1.67	9.49	1.69	9.84	1.72	10.19	1.75	
					12	8.33	1.63	8.66	1.66	9.00	1.70	9.17	1.71	9.35	1.73	9.70	1.76	10.05	1.80	
					14	8.18	1.67	8.52	1.71	8.86	1.74	9.03	1.76	9.20	1.77	9.55	1.81	9.91	1.84	
					16	8.04	1.72	8.37	1.75	8.71	1.78	8.88	1.80	9.06	1.82	9.41	1.85	9.76	1.89	
					18	7.89	1.76	8.23	1.79	8.57	1.83	8.74	1.85	8.91	1.86	9.26	1.90	9.62	1.93	
					20	7.75	1.81	8.08	1.84	8.42	1.88	8.60	1.89	8.77	1.91	9.12	1.95	9.48	1.98	
					21	7.67	1.83	8.01	1.86	8.35	1.90	8.52	1.92	8.70	1.93	9.05	1.97	9.41	2.00	
					23	7.53	1.88	7.86	1.91	8.21	1.95	8.38	1.96	8.55	1.98	8.91	2.02	9.26	2.05	
					25	7.38	1.92	7.72	1.96	8.06	1.99	8.24	2.01	8.41	2.03	8.76	2.07	9.12	2.10	
					27	7.24	1.97	7.58	2.01	7.92	2.04	8.09	2.06	8.27	2.08	8.62	2.11	8.98	2.15	
					29	7.09	2.02	7.43	2.06	7.78	2.09	7.95	2.11	8.13	2.13	8.48	2.16	8.84	2.20	
					31	6.95	2.07	7.29	2.11	7.64	2.14	7.81	2.16	7.98	2.18	8.34	2.22	8.70	2.25	
					33	6.81	2.12	7.15	2.16	7.49	2.19	7.67	2.21	7.84	2.23	8.20	2.27	8.56	2.30	
					35	6.66	2.17	7.01	2.21	7.35	2.25	7.54	2.26	7.70	2.28	8.06	2.32	8.42	2.36	
					37	6.52	2.23	6.86	2.26	7.21	2.30	7.39	2.32	7.56	2.34	7.92	2.37	8.28	2.41	
					39	6.38	2.28	6.72	2.32	7.07	2.35	7.24	2.37	7.42	2.39	7.78	2.43	8.14	2.46	
42	6.17	2.36	6.51	2.40	6.86	2.43	7.03	2.45	7.21	2.47	7.57	2.51	7.93	2.55						
44	6.03	2.42	6.37	2.45	6.72	2.49	6.89	2.51	7.07	2.53	7.43	2.57	7.80	2.60						
46	5.88	2.47	6.23	2.51	6.58	2.55	6.76	2.57	6.93	2.58	7.29	2.62	7.66	2.66						
2000	3500	5000	10500	131%	10	8.86	1.63	9.21	1.67	9.56	1.70	9.74	1.72	9.92	1.74	10.28	1.77	10.65	1.81	
					12	8.71	1.68	9.06	1.71	9.41	1.75	9.59	1.77	9.77	1.78	10.13	1.82	10.50	1.85	
					14	8.55	1.72	8.90	1.76	9.26	1.79	9.44	1.81	9.62	1.83	9.98	1.86	10.35	1.90	
					16	8.40	1.77	8.75	1.80	9.11	1.84	9.28	1.86	9.47	1.88	9.83	1.91	10.20	1.95	
					18	8.25	1.81	8.60	1.85	8.95	1.89	9.13	1.90	9.31	1.92	9.68	1.96	10.05	1.99	
					20	8.09	1.86	8.45	1.90	8.80	1.93	8.98	1.95	9.16	1.97	9.53	2.01	9.90	2.04	
					21	8.02	1.89	8.37	1.92	8.73	1.96	8.91	1.98	9.09	1.99	9.46	2.03	9.83	2.07	
					23	7.87	1.93	8.22	1.97	8.58	2.01	8.76	2.02	8.94	2.04	9.31	2.08	9.68	2.12	
					25	7.72	1.98	8.07	2.02	8.43	2.06	8.61	2.07	8.79	2.09	9.16	2.13	9.53	2.17	
					27	7.56	2.03	7.92	2.07	8.28	2.11	8.46	2.12	8.64	2.14	9.01	2.18	9.39	2.22	
					29	7.41	2.08	7.77	2.12	8.13	2.16	8.31	2.18	8.49	2.19	8.86	2.23	9.24	2.27	
					31	7.26	2.14	7.62	2.17	7.98	2.21	8.16	2.23	8.35	2.25	8.72	2.28	9.09	2.32	
					33	7.11	2.19	7.47	2.22	7.83	2.26	8.01	2.28	8.20	2.30	8.57	2.34	8.95	2.38	
					35	6.97	2.24	7.32	2.28	7.68	2.32	7.88	2.33	8.05	2.35	8.42	2.39	8.80	2.43	
					37	6.82	2.29	7.17	2.33	7.54	2.37	7.72	2.39	7.90	2.41	8.28	2.45	8.65	2.48	
					39	6.67	2.35	7.03	2.39	7.39	2.43	7.57	2.44	7.76	2.46	8.13	2.50	8.51	2.54	
42	6.45	2.43	6.80	2.47	7.17	2.51	7.35	2.53	7.54	2.55	7.91	2.59	8.29	2.63						
44	6.30	2.49	6.66	2.53	7.02	2.57	7.21	2.59	7.39	2.61	7.77	2.65	8.15	2.68						
46	6.15	2.55	6.51	2.59	6.88	2.63	7.06	2.65	7.25	2.66	7.62	2.70	8.00	2.74						

12. Capacity Table

Combination (Capacity Index)				Combination (Total)	Combination (%)	Outdoor Temperature (°C,DB)	Indoor Temperature(°C, WB)													
							14		16		18		19		20		22		24	
							TC(kW)	PI(kW)	TC(kW)	PI(kW)	TC(kW)	PI(kW)	TC(kW)	PI(kW)	TC(kW)	PI(kW)	TC(kW)	PI(kW)	TC(kW)	PI(kW)
2000	5000	5000	12000	150%	10	8.86	1.63	9.35	1.70	9.71	1.73	9.89	1.75	10.07	1.77	10.44	1.80	10.81	1.84	
					12	8.71	1.68	9.19	1.74	9.55	1.78	9.73	1.80	9.92	1.81	10.29	1.85	10.66	1.89	
					14	8.55	1.72	9.04	1.79	9.40	1.82	9.58	1.84	9.76	1.86	10.13	1.90	10.51	1.93	
					16	8.40	1.77	8.88	1.84	9.24	1.87	9.43	1.89	9.61	1.91	9.98	1.94	10.36	1.98	
					18	8.25	1.81	8.73	1.88	9.09	1.92	9.27	1.94	9.46	1.96	9.83	1.99	10.21	2.03	
					20	8.09	1.86	8.57	1.93	8.94	1.97	9.12	1.99	9.30	2.00	9.68	2.04	10.05	2.08	
					21	8.02	1.89	8.50	1.95	8.86	1.99	9.04	2.01	9.23	2.03	9.60	2.07	9.98	2.10	
					23	7.87	1.93	8.34	2.00	8.71	2.04	8.89	2.06	9.08	2.08	9.45	2.12	9.83	2.15	
					25	7.72	1.98	8.19	2.05	8.56	2.09	8.74	2.11	8.92	2.13	9.30	2.17	9.68	2.20	
					27	7.56	2.03	8.04	2.11	8.40	2.14	8.59	2.16	8.77	2.18	9.15	2.22	9.53	2.26	
					29	7.41	2.08	7.89	2.16	8.25	2.19	8.44	2.21	8.62	2.23	9.00	2.27	9.38	2.31	
					31	7.26	2.14	7.74	2.21	8.10	2.25	8.29	2.27	8.47	2.29	8.85	2.32	9.23	2.36	
					33	7.11	2.19	7.58	2.26	7.95	2.30	8.14	2.32	8.32	2.34	8.70	2.38	9.08	2.42	
					35	6.97	2.24	7.43	2.32	7.80	2.36	8.00	2.37	8.17	2.39	8.55	2.43	8.93	2.47	
					37	6.82	2.29	7.28	2.37	7.65	2.41	7.84	2.43	8.02	2.45	8.40	2.49	8.79	2.53	
					39	6.67	2.35	7.13	2.43	7.50	2.47	7.69	2.49	7.87	2.51	8.25	2.55	8.64	2.58	
42	6.45	2.43	6.91	2.51	7.28	2.55	7.46	2.57	7.65	2.59	8.03	2.63	8.42	2.67						
44	6.30	2.49	6.76	2.57	7.13	2.61	7.32	2.63	7.50	2.65	7.88	2.69	8.27	2.73						
46	6.15	2.55	6.61	2.63	6.98	2.67	7.17	2.69	7.36	2.71	7.74	2.75	8.12	2.79						
2500	2500	2500	7500	94%	10	8.10	1.53	8.41	1.56	8.74	1.59	8.90	1.61	9.06	1.63	9.40	1.66	9.73	1.69	
					12	7.96	1.57	8.27	1.60	8.60	1.64	8.76	1.65	8.93	1.67	9.26	1.70	9.60	1.73	
					14	7.81	1.61	8.13	1.65	8.46	1.68	8.62	1.69	8.79	1.71	9.12	1.74	9.46	1.78	
					16	7.68	1.65	7.99	1.69	8.32	1.72	8.48	1.74	8.65	1.75	8.98	1.79	9.32	1.82	
					18	7.54	1.70	7.86	1.73	8.18	1.76	8.35	1.78	8.51	1.80	8.85	1.83	9.19	1.87	
					20	7.40	1.74	7.72	1.78	8.04	1.81	8.21	1.83	8.37	1.84	8.71	1.88	9.05	1.91	
					21	7.33	1.76	7.65	1.80	7.97	1.83	8.14	1.85	8.31	1.87	8.64	1.90	8.98	1.93	
					23	7.19	1.81	7.51	1.84	7.84	1.88	8.00	1.89	8.17	1.91	8.50	1.95	8.85	1.98	
					25	7.05	1.86	7.37	1.89	7.70	1.92	7.87	1.94	8.03	1.96	8.37	1.99	8.71	2.03	
					27	6.91	1.90	7.24	1.94	7.56	1.97	7.73	1.99	7.90	2.01	8.23	2.04	8.58	2.07	
					29	6.77	1.95	7.10	1.98	7.43	2.02	7.59	2.04	7.76	2.05	8.10	2.09	8.44	2.12	
					31	6.64	2.00	6.96	2.03	7.29	2.07	7.46	2.08	7.62	2.10	7.96	2.14	8.31	2.17	
					33	6.50	2.05	6.83	2.08	7.16	2.12	7.32	2.13	7.49	2.15	7.83	2.19	8.17	2.22	
					35	6.36	2.10	6.69	2.13	7.02	2.17	7.20	2.18	7.36	2.20	7.70	2.24	8.04	2.27	
					37	6.23	2.15	6.55	2.18	6.89	2.22	7.05	2.24	7.22	2.25	7.56	2.29	7.91	2.32	
					39	6.09	2.20	6.42	2.23	6.75	2.27	6.92	2.29	7.09	2.31	7.43	2.34	7.77	2.38	
42	5.89	2.28	6.22	2.31	6.55	2.35	6.72	2.37	6.89	2.38	7.23	2.42	7.58	2.46						
44	5.75	2.33	6.08	2.37	6.42	2.40	6.58	2.42	6.75	2.44	7.10	2.47	7.44	2.51						
46	5.62	2.38	5.95	2.42	6.28	2.46	6.45	2.47	6.62	2.49	6.96	2.53	7.31	2.57						

12. Capacity Table

Combination (Capacity Index)				Combination (Total)	Combination (%)	Outdoor Temperature (°C, DB)	Indoor Temperature(°C, WB)													
							14		16		18		19		20		22		24	
							TC(kW)	PI(kW)	TC(kW)	PI(kW)	TC(kW)	PI(kW)	TC(kW)	PI(kW)	TC(kW)	PI(kW)	TC(kW)	PI(kW)	TC(kW)	PI(kW)
2500	2500	3500		8500	106%	10	8.34	1.55	8.67	1.58	9.00	1.62	9.17	1.63	9.34	1.65	9.68	1.68	10.03	1.72
						12	8.20	1.59	8.53	1.63	8.86	1.66	9.03	1.68	9.20	1.69	9.54	1.73	9.89	1.76
						14	8.05	1.63	8.38	1.67	8.72	1.70	8.89	1.72	9.06	1.73	9.40	1.77	9.75	1.80
						16	7.91	1.68	8.24	1.71	8.57	1.74	8.74	1.76	8.91	1.78	9.26	1.81	9.61	1.85
						18	7.77	1.72	8.10	1.76	8.43	1.79	8.60	1.81	8.77	1.82	9.12	1.86	9.47	1.89
						20	7.62	1.77	7.95	1.80	8.29	1.83	8.46	1.85	8.63	1.87	8.98	1.90	9.33	1.94
						21	7.55	1.79	7.88	1.82	8.22	1.86	8.39	1.87	8.56	1.89	8.91	1.93	9.26	1.96
						23	7.41	1.83	7.74	1.87	8.08	1.90	8.25	1.92	8.42	1.94	8.76	1.97	9.12	2.01
						25	7.27	1.88	7.60	1.92	7.94	1.95	8.11	1.97	8.28	1.99	8.62	2.02	8.98	2.05
						27	7.12	1.93	7.46	1.96	7.79	2.00	7.97	2.02	8.14	2.03	8.49	2.07	8.84	2.10
						29	6.98	1.98	7.32	2.01	7.65	2.05	7.82	2.06	8.00	2.08	8.35	2.12	8.70	2.15
						31	6.84	2.03	7.17	2.06	7.51	2.10	7.69	2.11	7.86	2.13	8.21	2.17	8.56	2.20
						33	6.70	2.07	7.03	2.11	7.37	2.15	7.55	2.16	7.72	2.18	8.07	2.22	8.42	2.25
						35	6.56	2.13	6.89	2.16	7.23	2.20	7.42	2.21	7.58	2.23	7.93	2.27	8.29	2.30
						37	6.42	2.18	6.75	2.21	7.10	2.25	7.27	2.27	7.44	2.28	7.79	2.32	8.15	2.36
						39	6.28	2.23	6.61	2.26	6.96	2.30	7.13	2.32	7.30	2.34	7.66	2.37	8.01	2.41
						42	6.07	2.31	6.41	2.34	6.75	2.38	6.92	2.40	7.10	2.42	7.45	2.45	7.81	2.49
44	5.93	2.36	6.27	2.40	6.61	2.44	6.79	2.45	6.96	2.47	7.31	2.51	7.67	2.55						
46	5.79	2.42	6.13	2.45	6.47	2.49	6.65	2.51	6.82	2.53	7.18	2.56	7.54	2.60						
2500	2500	5000		10000	125%	10	8.74	1.60	9.08	1.63	9.43	1.67	9.60	1.68	9.78	1.70	10.14	1.74	10.50	1.77
						12	8.58	1.64	8.93	1.68	9.28	1.71	9.45	1.73	9.63	1.75	9.99	1.78	10.36	1.81
						14	8.43	1.69	8.78	1.72	9.13	1.76	9.30	1.77	9.48	1.79	9.84	1.82	10.21	1.86
						16	8.28	1.73	8.63	1.77	8.98	1.80	9.16	1.82	9.33	1.84	9.69	1.87	10.06	1.90
						18	8.13	1.78	8.48	1.81	8.83	1.85	9.01	1.86	9.18	1.88	9.55	1.92	9.91	1.95
						20	7.98	1.82	8.33	1.86	8.68	1.89	8.86	1.91	9.04	1.93	9.40	1.96	9.77	2.00
						21	7.91	1.85	8.25	1.88	8.61	1.92	8.78	1.93	8.96	1.95	9.33	1.99	9.69	2.02
						23	7.76	1.89	8.10	1.93	8.46	1.96	8.64	1.98	8.82	2.00	9.18	2.03	9.55	2.07
						25	7.61	1.94	7.96	1.98	8.31	2.01	8.49	2.03	8.67	2.05	9.03	2.08	9.40	2.12
						27	7.46	1.99	7.81	2.03	8.16	2.06	8.34	2.08	8.52	2.10	8.89	2.13	9.25	2.17
						29	7.31	2.04	7.66	2.08	8.01	2.11	8.19	2.13	8.37	2.15	8.74	2.18	9.11	2.22
						31	7.16	2.09	7.51	2.13	7.87	2.16	8.05	2.18	8.23	2.20	8.59	2.24	8.96	2.27
						33	7.02	2.14	7.37	2.18	7.72	2.21	7.90	2.23	8.08	2.25	8.45	2.29	8.82	2.32
						35	6.87	2.19	7.22	2.23	7.58	2.27	7.77	2.28	7.94	2.30	8.30	2.34	8.68	2.38
						37	6.72	2.25	7.07	2.28	7.43	2.32	7.61	2.34	7.79	2.36	8.16	2.39	8.53	2.43
						39	6.57	2.30	6.93	2.34	7.28	2.37	7.47	2.39	7.65	2.41	8.02	2.45	8.39	2.49
						42	6.36	2.38	6.71	2.42	7.07	2.46	7.25	2.48	7.43	2.49	7.80	2.53	8.18	2.57
44	6.21	2.44	6.56	2.47	6.92	2.51	7.11	2.53	7.29	2.55	7.66	2.59	8.03	2.63						
46	6.06	2.49	6.42	2.53	6.78	2.57	6.96	2.59	7.14	2.61	7.52	2.65	7.89	2.68						

12. Capacity Table

Combination (Capacity Index)				Combination (Total)	Combination (%)	Outdoor Temperature (°C, DB)	Indoor Temperature(°C, WB)													
							14		16		18		19		20		22		24	
							TC(kW)	PI(kW)	TC(kW)	PI(kW)	TC(kW)	PI(kW)	TC(kW)	PI(kW)	TC(kW)	PI(kW)	TC(kW)	PI(kW)	TC(kW)	PI(kW)
2500	2500	6800	11800	148%	10	8.74	1.60	9.35	1.70	9.71	1.73	9.89	1.75	10.07	1.77	10.44	1.80	10.81	1.84	
					12	8.58	1.64	9.19	1.74	9.55	1.78	9.73	1.80	9.92	1.81	10.29	1.85	10.66	1.89	
					14	8.43	1.69	9.04	1.79	9.40	1.82	9.58	1.84	9.76	1.86	10.13	1.90	10.51	1.93	
					16	8.28	1.73	8.88	1.84	9.24	1.87	9.43	1.89	9.61	1.91	9.98	1.94	10.36	1.98	
					18	8.13	1.78	8.73	1.88	9.09	1.92	9.27	1.94	9.46	1.96	9.83	1.99	10.21	2.03	
					20	7.98	1.82	8.57	1.93	8.94	1.97	9.12	1.99	9.30	2.00	9.68	2.04	10.05	2.08	
					21	7.91	1.85	8.50	1.95	8.86	1.99	9.04	2.01	9.23	2.03	9.60	2.07	9.98	2.10	
					23	7.76	1.89	8.34	2.00	8.71	2.04	8.89	2.06	9.08	2.08	9.45	2.12	9.83	2.15	
					25	7.61	1.94	8.19	2.05	8.56	2.09	8.74	2.11	8.92	2.13	9.30	2.17	9.68	2.20	
					27	7.46	1.99	8.04	2.11	8.40	2.14	8.59	2.16	8.77	2.18	9.15	2.22	9.53	2.26	
					29	7.31	2.04	7.89	2.16	8.25	2.19	8.44	2.21	8.62	2.23	9.00	2.27	9.38	2.31	
					31	7.16	2.09	7.74	2.21	8.10	2.25	8.29	2.27	8.47	2.29	8.85	2.32	9.23	2.36	
					33	7.02	2.14	7.58	2.26	7.95	2.30	8.14	2.32	8.32	2.34	8.70	2.38	9.08	2.42	
					35	6.87	2.19	7.43	2.32	7.80	2.36	8.00	2.37	8.17	2.39	8.55	2.43	8.93	2.47	
					37	6.72	2.25	7.28	2.37	7.65	2.41	7.84	2.43	8.02	2.45	8.40	2.49	8.79	2.53	
					39	6.57	2.30	7.13	2.43	7.50	2.47	7.69	2.49	7.87	2.51	8.25	2.55	8.64	2.58	
42	6.36	2.38	6.91	2.51	7.28	2.55	7.46	2.57	7.65	2.59	8.03	2.63	8.42	2.67						
44	6.21	2.44	6.76	2.57	7.13	2.61	7.32	2.63	7.50	2.65	7.88	2.69	8.27	2.73						
46	6.06	2.49	6.61	2.63	6.98	2.67	7.17	2.69	7.36	2.71	7.74	2.75	8.12	2.79						
2500	3500	3500	9500	119%	10	8.60	1.58	8.94	1.61	9.28	1.65	9.46	1.66	9.63	1.68	9.98	1.71	10.34	1.75	
					12	8.45	1.62	8.79	1.65	9.13	1.69	9.31	1.71	9.48	1.72	9.84	1.76	10.20	1.79	
					14	8.30	1.66	8.64	1.70	8.99	1.73	9.16	1.75	9.34	1.77	9.69	1.80	10.05	1.83	
					16	8.15	1.71	8.49	1.74	8.84	1.78	9.01	1.79	9.19	1.81	9.54	1.85	9.90	1.88	
					18	8.01	1.75	8.35	1.79	8.69	1.82	8.87	1.84	9.04	1.86	9.40	1.89	9.76	1.93	
					20	7.86	1.80	8.20	1.83	8.55	1.87	8.72	1.88	8.90	1.90	9.25	1.94	9.61	1.97	
					21	7.78	1.82	8.13	1.86	8.47	1.89	8.65	1.91	8.82	1.93	9.18	1.96	9.54	2.00	
					23	7.64	1.87	7.98	1.90	8.33	1.94	8.50	1.96	8.68	1.97	9.04	2.01	9.40	2.04	
					25	7.49	1.91	7.83	1.95	8.18	1.99	8.36	2.00	8.53	2.02	8.89	2.06	9.26	2.09	
					27	7.34	1.96	7.69	2.00	8.04	2.03	8.21	2.05	8.39	2.07	8.75	2.11	9.11	2.14	
					29	7.20	2.01	7.54	2.05	7.89	2.08	8.07	2.10	8.25	2.12	8.60	2.16	8.97	2.19	
					31	7.05	2.06	7.40	2.10	7.75	2.13	7.92	2.15	8.10	2.17	8.46	2.21	8.83	2.24	
					33	6.91	2.11	7.25	2.15	7.60	2.18	7.78	2.20	7.96	2.22	8.32	2.26	8.68	2.29	
					35	6.76	2.16	7.11	2.20	7.46	2.24	7.65	2.25	7.81	2.27	8.18	2.31	8.54	2.35	
					37	6.62	2.22	6.96	2.25	7.32	2.29	7.49	2.31	7.67	2.33	8.03	2.36	8.40	2.40	
					39	6.47	2.27	6.82	2.31	7.17	2.34	7.35	2.36	7.53	2.38	7.89	2.42	8.26	2.45	
42	6.26	2.35	6.61	2.39	6.96	2.42	7.14	2.44	7.32	2.46	7.68	2.50	8.05	2.54						
44	6.11	2.40	6.46	2.44	6.82	2.48	7.00	2.50	7.18	2.52	7.54	2.55	7.91	2.59						
46	5.97	2.46	6.32	2.50	6.67	2.54	6.85	2.55	7.03	2.57	7.40	2.61	7.77	2.65						

12. Capacity Table

Combination (Capacity Index)				Combination (Total)	Combination (%)	Outdoor Temperature (°C, DB)	Indoor Temperature(°C, WB)													
							14		16		18		19		20		22		24	
							TC(kW)	PI(kW)	TC(kW)	PI(kW)	TC(kW)	PI(kW)	TC(kW)	PI(kW)	TC(kW)	PI(kW)	TC(kW)	PI(kW)	TC(kW)	PI(kW)
2500	3500	5000	11000	138%	10	9.00	1.63	9.35	1.67	9.71	1.70	9.89	1.72	10.07	1.74	10.44	1.77	10.81	1.81	
					12	8.84	1.68	9.19	1.71	9.55	1.75	9.73	1.77	9.92	1.78	10.29	1.82	10.66	1.85	
					14	8.68	1.72	9.04	1.76	9.40	1.79	9.58	1.81	9.76	1.83	10.13	1.86	10.51	1.90	
					16	8.53	1.77	8.88	1.80	9.24	1.84	9.43	1.86	9.61	1.88	9.98	1.91	10.36	1.95	
					18	8.37	1.81	8.73	1.85	9.09	1.89	9.27	1.90	9.46	1.92	9.83	1.96	10.21	1.99	
					20	8.22	1.86	8.57	1.90	8.94	1.93	9.12	1.95	9.30	1.97	9.68	2.01	10.05	2.04	
					21	8.14	1.89	8.50	1.92	8.86	1.96	9.04	1.98	9.23	1.99	9.60	2.03	9.98	2.07	
					23	7.99	1.93	8.34	1.97	8.71	2.01	8.89	2.02	9.08	2.04	9.45	2.08	9.83	2.12	
					25	7.83	1.98	8.19	2.02	8.56	2.06	8.74	2.07	8.92	2.09	9.30	2.13	9.68	2.17	
					27	7.68	2.03	8.04	2.07	8.40	2.11	8.59	2.12	8.77	2.14	9.15	2.18	9.53	2.22	
					29	7.53	2.08	7.89	2.12	8.25	2.16	8.44	2.18	8.62	2.19	9.00	2.23	9.38	2.27	
					31	7.37	2.14	7.74	2.17	8.10	2.21	8.29	2.23	8.47	2.25	8.85	2.28	9.23	2.32	
					33	7.22	2.19	7.58	2.22	7.95	2.26	8.14	2.28	8.32	2.30	8.70	2.34	9.08	2.38	
					35	7.07	2.24	7.43	2.28	7.80	2.32	8.00	2.33	8.17	2.35	8.55	2.39	8.93	2.43	
					37	6.92	2.29	7.28	2.33	7.65	2.37	7.84	2.39	8.02	2.41	8.40	2.45	8.79	2.48	
					39	6.77	2.35	7.13	2.39	7.50	2.43	7.69	2.44	7.87	2.46	8.25	2.50	8.64	2.54	
42	6.54	2.43	6.91	2.47	7.28	2.51	7.46	2.53	7.65	2.55	8.03	2.59	8.42	2.63						
44	6.39	2.49	6.76	2.53	7.13	2.57	7.32	2.59	7.50	2.61	7.88	2.65	8.27	2.68						
46	6.24	2.55	6.61	2.59	6.98	2.63	7.17	2.65	7.36	2.66	7.74	2.70	8.12	2.74						
3500	3500	3500	10500	131%	10	8.87	1.63	9.22	1.67	9.57	1.70	9.75	1.72	9.93	1.74	10.30	1.77	10.67	1.81	
					12	8.72	1.68	9.07	1.71	9.42	1.75	9.60	1.77	9.78	1.78	10.15	1.82	10.52	1.85	
					14	8.56	1.72	8.91	1.76	9.27	1.79	9.45	1.81	9.63	1.83	9.99	1.86	10.37	1.90	
					16	8.41	1.77	8.76	1.80	9.12	1.84	9.30	1.86	9.48	1.88	9.84	1.91	10.22	1.95	
					18	8.26	1.81	8.61	1.85	8.97	1.89	9.15	1.90	9.33	1.92	9.69	1.96	10.07	1.99	
					20	8.11	1.86	8.46	1.90	8.81	1.93	8.99	1.95	9.18	1.97	9.54	2.01	9.92	2.04	
					21	8.03	1.89	8.38	1.92	8.74	1.96	8.92	1.98	9.10	1.99	9.47	2.03	9.84	2.07	
					23	7.88	1.93	8.23	1.97	8.59	2.01	8.77	2.02	8.95	2.04	9.32	2.08	9.69	2.12	
					25	7.73	1.98	8.08	2.02	8.44	2.06	8.62	2.07	8.80	2.09	9.17	2.13	9.55	2.17	
					27	7.57	2.03	7.93	2.07	8.29	2.11	8.47	2.12	8.65	2.14	9.02	2.18	9.40	2.22	
					29	7.42	2.08	7.78	2.12	8.14	2.16	8.32	2.18	8.50	2.19	8.87	2.23	9.25	2.27	
					31	7.27	2.14	7.63	2.17	7.99	2.21	8.17	2.23	8.36	2.25	8.73	2.28	9.10	2.32	
					33	7.12	2.19	7.48	2.22	7.84	2.26	8.02	2.28	8.21	2.30	8.58	2.34	8.96	2.38	
					35	6.97	2.24	7.33	2.28	7.69	2.32	7.89	2.33	8.06	2.35	8.43	2.39	8.81	2.43	
					37	6.82	2.29	7.18	2.33	7.54	2.37	7.73	2.39	7.91	2.41	8.29	2.45	8.66	2.48	
					39	6.68	2.35	7.03	2.39	7.40	2.43	7.58	2.44	7.77	2.46	8.14	2.50	8.52	2.54	
42	6.45	2.43	6.81	2.47	7.18	2.51	7.36	2.53	7.55	2.55	7.92	2.59	8.30	2.63						
44	6.31	2.49	6.67	2.53	7.03	2.57	7.21	2.59	7.40	2.61	7.78	2.65	8.16	2.68						
46	6.16	2.55	6.52	2.59	6.88	2.63	7.07	2.65	7.26	2.66	7.63	2.70	8.01	2.74						

12. Capacity Table

Combination (Capacity Index)				Combination (Total)	Combination (%)	Outdoor Temperature (°C,DB)	Indoor Temperature(°C, WB)													
							14		16		18		19		20		22		24	
							TC(kW)	PI(kW)	TC(kW)	PI(kW)	TC(kW)	PI(kW)	TC(kW)	PI(kW)	TC(kW)	PI(kW)	TC(kW)	PI(kW)	TC(kW)	PI(kW)
3500	3500	5000		12000	150%	10	9.00	1.66	9.35	1.70	9.71	1.73	9.89	1.75	10.07	1.77	10.44	1.80	10.81	1.84
						12	8.84	1.71	9.19	1.74	9.55	1.78	9.73	1.80	9.92	1.81	10.29	1.85	10.66	1.89
						14	8.68	1.75	9.04	1.79	9.40	1.82	9.58	1.84	9.76	1.86	10.13	1.90	10.51	1.93
						16	8.53	1.80	8.88	1.84	9.24	1.87	9.43	1.89	9.61	1.91	9.98	1.94	10.36	1.98
						18	8.37	1.85	8.73	1.88	9.09	1.92	9.27	1.94	9.46	1.96	9.83	1.99	10.21	2.03
						20	8.22	1.89	8.57	1.93	8.94	1.97	9.12	1.99	9.30	2.00	9.68	2.04	10.05	2.08
						21	8.14	1.92	8.50	1.95	8.86	1.99	9.04	2.01	9.23	2.03	9.60	2.07	9.98	2.10
						23	7.99	1.97	8.34	2.00	8.71	2.04	8.89	2.06	9.08	2.08	9.45	2.12	9.83	2.15
						25	7.83	2.02	8.19	2.05	8.56	2.09	8.74	2.11	8.92	2.13	9.30	2.17	9.68	2.20
						27	7.68	2.07	8.04	2.11	8.40	2.14	8.59	2.16	8.77	2.18	9.15	2.22	9.53	2.26
						29	7.53	2.12	7.89	2.16	8.25	2.19	8.44	2.21	8.62	2.23	9.00	2.27	9.38	2.31
						31	7.37	2.17	7.74	2.21	8.10	2.25	8.29	2.27	8.47	2.29	8.85	2.32	9.23	2.36
						33	7.22	2.22	7.58	2.26	7.95	2.30	8.14	2.32	8.32	2.34	8.70	2.38	9.08	2.42
						35	7.07	2.28	7.43	2.32	7.80	2.36	8.00	2.37	8.17	2.39	8.55	2.43	8.93	2.47
						37	6.92	2.33	7.28	2.37	7.65	2.41	7.84	2.43	8.02	2.45	8.40	2.49	8.79	2.53
						39	6.77	2.39	7.13	2.43	7.50	2.47	7.69	2.49	7.87	2.51	8.25	2.55	8.64	2.58
42	6.54	2.47	6.91	2.51	7.28	2.55	7.46	2.57	7.65	2.59	8.03	2.63	8.42	2.67						
44	6.39	2.53	6.76	2.57	7.13	2.61	7.32	2.63	7.50	2.65	7.88	2.69	8.27	2.73						
46	6.24	2.59	6.61	2.63	6.98	2.67	7.17	2.69	7.36	2.71	7.74	2.75	8.12	2.79						
2000	2000	2000	2000	8000	100%	10	8.23	1.55	8.55	1.58	8.88	1.62	9.05	1.63	9.21	1.65	9.55	1.68	9.90	1.72
						12	8.09	1.59	8.41	1.63	8.74	1.66	8.91	1.68	9.07	1.69	9.41	1.73	9.76	1.76
						14	7.95	1.63	8.27	1.67	8.60	1.70	8.77	1.72	8.93	1.73	9.27	1.77	9.62	1.80
						16	7.80	1.68	8.13	1.71	8.46	1.74	8.62	1.76	8.79	1.78	9.13	1.81	9.48	1.85
						18	7.66	1.72	7.99	1.76	8.32	1.79	8.48	1.81	8.65	1.82	8.99	1.86	9.34	1.89
						20	7.52	1.77	7.85	1.80	8.18	1.83	8.34	1.85	8.51	1.87	8.85	1.90	9.20	1.94
						21	7.45	1.79	7.78	1.82	8.11	1.86	8.27	1.87	8.44	1.89	8.79	1.93	9.13	1.96
						23	7.31	1.83	7.64	1.87	7.97	1.90	8.14	1.92	8.30	1.94	8.65	1.97	8.99	2.01
						25	7.17	1.88	7.50	1.92	7.83	1.95	8.00	1.97	8.17	1.99	8.51	2.02	8.86	2.05
						27	7.03	1.93	7.36	1.96	7.69	2.00	7.86	2.02	8.03	2.03	8.37	2.07	8.72	2.10
						29	6.89	1.98	7.22	2.01	7.55	2.05	7.72	2.06	7.89	2.08	8.23	2.12	8.58	2.15
						31	6.75	2.03	7.08	2.06	7.41	2.10	7.58	2.11	7.75	2.13	8.10	2.17	8.45	2.20
						33	6.61	2.07	6.94	2.11	7.27	2.15	7.44	2.16	7.61	2.18	7.96	2.22	8.31	2.25
						35	6.47	2.13	6.80	2.16	7.14	2.20	7.32	2.21	7.48	2.23	7.82	2.27	8.17	2.30
						37	6.33	2.18	6.66	2.21	7.00	2.25	7.17	2.27	7.34	2.28	7.69	2.32	8.04	2.36
						39	6.19	2.23	6.53	2.26	6.86	2.30	7.03	2.32	7.21	2.34	7.55	2.37	7.90	2.41
42	5.99	2.31	6.32	2.34	6.66	2.38	6.83	2.40	7.00	2.42	7.35	2.45	7.70	2.49						
44	5.85	2.36	6.18	2.40	6.52	2.44	6.69	2.45	6.87	2.47	7.21	2.51	7.57	2.55						
46	5.71	2.42	6.05	2.45	6.39	2.49	6.56	2.51	6.73	2.53	7.08	2.56	7.43	2.60						

12. Capacity Table

Combination (Capacity Index)				Combination (Total)	Combination (%)	Outdoor Temperature (°C, DB)	Indoor Temperature(°C, WB)													
							14		16		18		19		20		22		24	
							TC(kW)	PI(kW)	TC(kW)	PI(kW)	TC(kW)	PI(kW)	TC(kW)	PI(kW)	TC(kW)	PI(kW)	TC(kW)	PI(kW)	TC(kW)	PI(kW)
2000	2000	2000	2500	8500	106%	10	8.37	1.55	8.69	1.58	9.03	1.62	9.20	1.63	9.37	1.65	9.71	1.68	10.06	1.72
						12	8.22	1.59	8.55	1.63	8.88	1.66	9.05	1.68	9.22	1.69	9.57	1.73	9.92	1.76
						14	8.08	1.63	8.41	1.67	8.74	1.70	8.91	1.72	9.08	1.73	9.42	1.77	9.77	1.80
						16	7.93	1.68	8.26	1.71	8.60	1.74	8.77	1.76	8.94	1.78	9.28	1.81	9.63	1.85
						18	7.79	1.72	8.12	1.76	8.45	1.79	8.62	1.81	8.79	1.82	9.14	1.86	9.49	1.89
						20	7.64	1.77	7.97	1.80	8.31	1.83	8.48	1.85	8.65	1.87	9.00	1.90	9.35	1.94
						21	7.57	1.79	7.90	1.82	8.24	1.86	8.41	1.87	8.58	1.89	8.93	1.93	9.28	1.96
						23	7.43	1.83	7.76	1.87	8.10	1.90	8.27	1.92	8.44	1.94	8.79	1.97	9.14	2.01
						25	7.29	1.88	7.62	1.92	7.96	1.95	8.13	1.97	8.30	1.99	8.65	2.02	9.00	2.05
						27	7.14	1.93	7.48	1.96	7.82	2.00	7.99	2.02	8.16	2.03	8.51	2.07	8.86	2.10
						29	7.00	1.98	7.33	2.01	7.67	2.05	7.85	2.06	8.02	2.08	8.37	2.12	8.72	2.15
						31	6.86	2.03	7.19	2.06	7.53	2.10	7.71	2.11	7.88	2.13	8.23	2.17	8.58	2.20
						33	6.72	2.07	7.05	2.11	7.39	2.15	7.57	2.16	7.74	2.18	8.09	2.22	8.45	2.25
						35	6.58	2.13	6.91	2.16	7.25	2.20	7.44	2.21	7.60	2.23	7.95	2.27	8.31	2.30
						37	6.44	2.18	6.77	2.21	7.11	2.25	7.29	2.27	7.46	2.28	7.81	2.32	8.17	2.36
						39	6.30	2.23	6.63	2.26	6.98	2.30	7.15	2.32	7.32	2.34	7.68	2.37	8.03	2.41
						42	6.09	2.31	6.42	2.34	6.77	2.38	6.94	2.40	7.12	2.42	7.47	2.45	7.83	2.49
44	5.95	2.36	6.29	2.40	6.63	2.44	6.80	2.45	6.98	2.47	7.33	2.51	7.69	2.55						
46	5.81	2.42	6.15	2.45	6.49	2.49	6.67	2.51	6.84	2.53	7.20	2.56	7.56	2.60						
2000	2000	2000	3500	9500	119%	10	8.60	1.58	8.94	1.61	9.28	1.65	9.46	1.66	9.63	1.68	9.98	1.71	10.34	1.75
						12	8.45	1.62	8.79	1.65	9.13	1.69	9.31	1.71	9.48	1.72	9.84	1.76	10.20	1.79
						14	8.30	1.66	8.64	1.70	8.99	1.73	9.16	1.75	9.34	1.77	9.69	1.80	10.05	1.83
						16	8.15	1.71	8.49	1.74	8.84	1.78	9.01	1.79	9.19	1.81	9.54	1.85	9.90	1.88
						18	8.01	1.75	8.35	1.79	8.69	1.82	8.87	1.84	9.04	1.86	9.40	1.89	9.76	1.93
						20	7.86	1.80	8.20	1.83	8.55	1.87	8.72	1.88	8.90	1.90	9.25	1.94	9.61	1.97
						21	7.78	1.82	8.13	1.86	8.47	1.89	8.65	1.91	8.82	1.93	9.18	1.96	9.54	2.00
						23	7.64	1.87	7.98	1.90	8.33	1.94	8.50	1.96	8.68	1.97	9.04	2.01	9.40	2.04
						25	7.49	1.91	7.83	1.95	8.18	1.99	8.36	2.00	8.53	2.02	8.89	2.06	9.26	2.09
						27	7.34	1.96	7.69	2.00	8.04	2.03	8.21	2.05	8.39	2.07	8.75	2.11	9.11	2.14
						29	7.20	2.01	7.54	2.05	7.89	2.08	8.07	2.10	8.25	2.12	8.60	2.16	8.97	2.19
						31	7.05	2.06	7.40	2.10	7.75	2.13	7.92	2.15	8.10	2.17	8.46	2.21	8.83	2.24
						33	6.91	2.11	7.25	2.15	7.60	2.18	7.78	2.20	7.96	2.22	8.32	2.26	8.68	2.29
						35	6.76	2.16	7.11	2.20	7.46	2.24	7.65	2.25	7.81	2.27	8.18	2.31	8.54	2.35
						37	6.62	2.22	6.96	2.25	7.32	2.29	7.49	2.31	7.67	2.33	8.03	2.36	8.40	2.40
						39	6.47	2.27	6.82	2.31	7.17	2.34	7.35	2.36	7.53	2.38	7.89	2.42	8.26	2.45
						42	6.26	2.35	6.61	2.39	6.96	2.42	7.14	2.44	7.32	2.46	7.68	2.50	8.05	2.54
44	6.11	2.40	6.46	2.44	6.82	2.48	7.00	2.50	7.18	2.52	7.54	2.55	7.91	2.59						
46	5.97	2.46	6.32	2.50	6.67	2.54	6.85	2.55	7.03	2.57	7.40	2.61	7.77	2.65						

12. Capacity Table

Combination (Capacity Index)				Combination (Total)	Combination (%)	Outdoor Temperature (°C,DB)	Indoor Temperature(°C, WB)													
							14		16		18		19		20		22		24	
							TC(kW)	PI(kW)	TC(kW)	PI(kW)	TC(kW)	PI(kW)	TC(kW)	PI(kW)	TC(kW)	PI(kW)	TC(kW)	PI(kW)	TC(kW)	PI(kW)
2000	2000	2000	5000	11000	138%	10	9.00	1.61	9.35	1.65	9.71	1.68	9.89	1.70	10.07	1.72	10.44	1.75	10.81	1.79
						12	8.84	1.66	9.19	1.69	9.55	1.73	9.73	1.74	9.92	1.76	10.29	1.80	10.66	1.83
						14	8.68	1.70	9.04	1.74	9.40	1.77	9.58	1.79	9.76	1.81	10.13	1.84	10.51	1.88
						16	8.53	1.75	8.88	1.78	9.24	1.82	9.43	1.83	9.61	1.85	9.98	1.89	10.36	1.92
						18	8.37	1.79	8.73	1.83	9.09	1.86	9.27	1.88	9.46	1.90	9.83	1.93	10.21	1.97
						20	8.22	1.84	8.57	1.87	8.94	1.91	9.12	1.93	9.30	1.94	9.68	1.98	10.05	2.02
						21	8.14	1.86	8.50	1.90	8.86	1.93	9.04	1.95	9.23	1.97	9.60	2.00	9.98	2.04
						23	7.99	1.91	8.34	1.94	8.71	1.98	8.89	2.00	9.08	2.02	9.45	2.05	9.83	2.09
						25	7.83	1.96	8.19	1.99	8.56	2.03	8.74	2.05	8.92	2.07	9.30	2.10	9.68	2.14
						27	7.68	2.01	8.04	2.04	8.40	2.08	8.59	2.10	8.77	2.12	9.15	2.15	9.53	2.19
						29	7.53	2.06	7.89	2.09	8.25	2.13	8.44	2.15	8.62	2.17	9.00	2.20	9.38	2.24
						31	7.37	2.11	7.74	2.14	8.10	2.18	8.29	2.20	8.47	2.22	8.85	2.25	9.23	2.29
						33	7.22	2.16	7.58	2.20	7.95	2.23	8.14	2.25	8.32	2.27	8.70	2.31	9.08	2.34
						35	7.07	2.21	7.43	2.25	7.80	2.29	8.00	2.30	8.17	2.32	8.55	2.36	8.93	2.40
						37	6.92	2.27	7.28	2.30	7.65	2.34	7.84	2.36	8.02	2.38	8.40	2.42	8.79	2.45
						39	6.77	2.32	7.13	2.36	7.50	2.39	7.69	2.41	7.87	2.43	8.25	2.47	8.64	2.51
						42	6.54	2.40	6.91	2.44	7.28	2.48	7.46	2.50	7.65	2.52	8.03	2.55	8.42	2.59
44	6.39	2.46	6.76	2.50	7.13	2.53	7.32	2.55	7.50	2.57	7.88	2.61	8.27	2.65						
46	6.24	2.51	6.61	2.55	6.98	2.59	7.17	2.61	7.36	2.63	7.74	2.67	8.12	2.71						
2000	2000	2500	2500	9000	113%	10	8.48	1.59	8.81	1.62	9.15	1.65	9.32	1.67	9.49	1.69	9.84	1.72	10.19	1.75
						12	8.33	1.63	8.66	1.66	9.00	1.70	9.17	1.71	9.35	1.73	9.70	1.76	10.05	1.80
						14	8.18	1.67	8.52	1.71	8.86	1.74	9.03	1.76	9.20	1.77	9.55	1.81	9.91	1.84
						16	8.04	1.72	8.37	1.75	8.71	1.78	8.88	1.80	9.06	1.82	9.41	1.85	9.76	1.89
						18	7.89	1.76	8.23	1.79	8.57	1.83	8.74	1.85	8.91	1.86	9.26	1.90	9.62	1.93
						20	7.75	1.81	8.08	1.84	8.42	1.88	8.60	1.89	8.77	1.91	9.12	1.95	9.48	1.98
						21	7.67	1.83	8.01	1.86	8.35	1.90	8.52	1.92	8.70	1.93	9.05	1.97	9.41	2.00
						23	7.53	1.88	7.86	1.91	8.21	1.95	8.38	1.96	8.55	1.98	8.91	2.02	9.26	2.05
						25	7.38	1.92	7.72	1.96	8.06	1.99	8.24	2.01	8.41	2.03	8.76	2.07	9.12	2.10
						27	7.24	1.97	7.58	2.01	7.92	2.04	8.09	2.06	8.27	2.08	8.62	2.11	8.98	2.15
						29	7.09	2.02	7.43	2.06	7.78	2.09	7.95	2.11	8.13	2.13	8.48	2.16	8.84	2.20
						31	6.95	2.07	7.29	2.11	7.64	2.14	7.81	2.16	7.98	2.18	8.34	2.22	8.70	2.25
						33	6.81	2.12	7.15	2.16	7.49	2.19	7.67	2.21	7.84	2.23	8.20	2.27	8.56	2.30
						35	6.66	2.17	7.01	2.21	7.35	2.25	7.54	2.26	7.70	2.28	8.06	2.32	8.42	2.36
						37	6.52	2.23	6.86	2.26	7.21	2.30	7.39	2.32	7.56	2.34	7.92	2.37	8.28	2.41
						39	6.38	2.28	6.72	2.32	7.07	2.35	7.24	2.37	7.42	2.39	7.78	2.43	8.14	2.46
						42	6.17	2.36	6.51	2.40	6.86	2.43	7.03	2.45	7.21	2.47	7.57	2.51	7.93	2.55
44	6.03	2.42	6.37	2.45	6.72	2.49	6.89	2.51	7.07	2.53	7.43	2.57	7.80	2.60						
46	5.88	2.47	6.23	2.51	6.58	2.55	6.76	2.57	6.93	2.58	7.29	2.62	7.66	2.66						

12. Capacity Table

Combination (Capacity Index)				Combination (Total)	Combination (%)	Outdoor Temperature (°C, DB)	Indoor Temperature(°C, WB)													
							14		16		18		19		20		22		24	
							TC(kW)	PI(kW)	TC(kW)	PI(kW)	TC(kW)	PI(kW)	TC(kW)	PI(kW)	TC(kW)	PI(kW)	TC(kW)	PI(kW)	TC(kW)	PI(kW)
2000	2000	2500	3500	10000	125%	10	8.73	1.59	9.07	1.63	9.42	1.66	9.59	1.68	9.77	1.69	10.13	1.73	10.49	1.76
						12	8.57	1.64	8.92	1.67	9.27	1.70	9.44	1.72	9.62	1.74	9.98	1.77	10.34	1.81
						14	8.42	1.68	8.77	1.71	9.12	1.75	9.29	1.76	9.47	1.78	9.83	1.82	10.19	1.85
						16	8.27	1.72	8.62	1.76	8.97	1.79	9.14	1.81	9.32	1.83	9.68	1.86	10.05	1.90
						18	8.12	1.77	8.47	1.80	8.82	1.84	8.99	1.86	9.17	1.87	9.53	1.91	9.90	1.94
						20	7.97	1.81	8.32	1.85	8.67	1.88	8.85	1.90	9.03	1.92	9.39	1.95	9.75	1.99
						21	7.90	1.84	8.24	1.87	8.59	1.91	8.77	1.93	8.95	1.94	9.31	1.98	9.68	2.01
						23	7.75	1.88	8.09	1.92	8.45	1.95	8.62	1.97	8.80	1.99	9.17	2.03	9.53	2.06
						25	7.60	1.93	7.95	1.97	8.30	2.00	8.48	2.02	8.66	2.04	9.02	2.07	9.39	2.11
						27	7.45	1.98	7.80	2.02	8.15	2.05	8.33	2.07	8.51	2.09	8.87	2.12	9.24	2.16
						29	7.30	2.03	7.65	2.07	8.00	2.10	8.18	2.12	8.36	2.14	8.73	2.17	9.10	2.21
						31	7.15	2.08	7.50	2.12	7.86	2.15	8.04	2.17	8.22	2.19	8.58	2.23	8.95	2.26
						33	7.01	2.13	7.36	2.17	7.71	2.20	7.89	2.22	8.07	2.24	8.44	2.28	8.81	2.31
						35	6.86	2.18	7.21	2.22	7.57	2.26	7.76	2.27	7.93	2.29	8.29	2.33	8.67	2.37
						37	6.71	2.24	7.06	2.27	7.42	2.31	7.60	2.33	7.78	2.35	8.15	2.38	8.52	2.42
						39	6.57	2.29	6.92	2.33	7.28	2.36	7.46	2.38	7.64	2.40	8.01	2.44	8.38	2.48
42	6.35	2.37	6.70	2.41	7.06	2.45	7.24	2.46	7.42	2.48	7.79	2.52	8.16	2.56						
44	6.20	2.43	6.56	2.46	6.91	2.50	7.10	2.52	7.28	2.54	7.65	2.58	8.02	2.61						
46	6.06	2.48	6.41	2.52	6.77	2.56	6.95	2.58	7.14	2.60	7.51	2.63	7.88	2.67						
2000	2000	2500	5000	11500	144%	10	9.00	1.61	9.35	1.65	9.71	1.68	9.89	1.70	10.07	1.72	10.44	1.75	10.81	1.79
						12	8.84	1.66	9.19	1.69	9.55	1.73	9.73	1.74	9.92	1.76	10.29	1.80	10.66	1.83
						14	8.68	1.70	9.04	1.74	9.40	1.77	9.58	1.79	9.76	1.81	10.13	1.84	10.51	1.88
						16	8.53	1.75	8.88	1.78	9.24	1.82	9.43	1.83	9.61	1.85	9.98	1.89	10.36	1.92
						18	8.37	1.79	8.73	1.83	9.09	1.86	9.27	1.88	9.46	1.90	9.83	1.93	10.21	1.97
						20	8.22	1.84	8.57	1.87	8.94	1.91	9.12	1.93	9.30	1.94	9.68	1.98	10.05	2.02
						21	8.14	1.86	8.50	1.90	8.86	1.93	9.04	1.95	9.23	1.97	9.60	2.00	9.98	2.04
						23	7.99	1.91	8.34	1.94	8.71	1.98	8.89	2.00	9.08	2.02	9.45	2.05	9.83	2.09
						25	7.83	1.96	8.19	1.99	8.56	2.03	8.74	2.05	8.92	2.07	9.30	2.10	9.68	2.14
						27	7.68	2.01	8.04	2.04	8.40	2.08	8.59	2.10	8.77	2.12	9.15	2.15	9.53	2.19
						29	7.53	2.06	7.89	2.09	8.25	2.13	8.44	2.15	8.62	2.17	9.00	2.20	9.38	2.24
						31	7.37	2.11	7.74	2.14	8.10	2.18	8.29	2.20	8.47	2.22	8.85	2.25	9.23	2.29
						33	7.22	2.16	7.58	2.20	7.95	2.23	8.14	2.25	8.32	2.27	8.70	2.31	9.08	2.34
						35	7.07	2.21	7.43	2.25	7.80	2.29	8.00	2.30	8.17	2.32	8.55	2.36	8.93	2.40
						37	6.92	2.27	7.28	2.30	7.65	2.34	7.84	2.36	8.02	2.38	8.40	2.42	8.79	2.45
						39	6.77	2.32	7.13	2.36	7.50	2.39	7.69	2.41	7.87	2.43	8.25	2.47	8.64	2.51
42	6.54	2.40	6.91	2.44	7.28	2.48	7.46	2.50	7.65	2.52	8.03	2.55	8.42	2.59						
44	6.39	2.46	6.76	2.50	7.13	2.53	7.32	2.55	7.50	2.57	7.88	2.61	8.27	2.65						
46	6.24	2.51	6.61	2.55	6.98	2.59	7.17	2.61	7.36	2.63	7.74	2.67	8.12	2.71						

12. Capacity Table

Combination (Capacity Index)				Combination (Total)	Combination (%)	Outdoor Temperature (°C,DB)	Indoor Temperature(°C, WB)													
							14		16		18		19		20		22		24	
							TC(kW)	PI(kW)	TC(kW)	PI(kW)	TC(kW)	PI(kW)	TC(kW)	PI(kW)	TC(kW)	PI(kW)	TC(kW)	PI(kW)	TC(kW)	PI(kW)
2000	2000	3500	3500	11000	138%	10	9.00	1.65	9.35	1.68	9.71	1.72	9.89	1.74	10.07	1.75	10.44	1.79	10.81	1.82
						12	8.84	1.69	9.19	1.73	9.55	1.76	9.73	1.78	9.92	1.80	10.29	1.83	10.66	1.87
						14	8.68	1.74	9.04	1.77	9.40	1.81	9.58	1.83	9.76	1.84	10.13	1.88	10.51	1.92
						16	8.53	1.78	8.88	1.82	9.24	1.86	9.43	1.87	9.61	1.89	9.98	1.93	10.36	1.96
						18	8.37	1.83	8.73	1.87	9.09	1.90	9.27	1.92	9.46	1.94	9.83	1.97	10.21	2.01
						20	8.22	1.88	8.57	1.91	8.94	1.95	9.12	1.97	9.30	1.99	9.68	2.02	10.05	2.06
						21	8.14	1.90	8.50	1.94	8.86	1.97	9.04	1.99	9.23	2.01	9.60	2.05	9.98	2.08
						23	7.99	1.95	8.34	1.99	8.71	2.02	8.89	2.04	9.08	2.06	9.45	2.10	9.83	2.13
						25	7.83	2.00	8.19	2.04	8.56	2.07	8.74	2.09	8.92	2.11	9.30	2.15	9.68	2.18
						27	7.68	2.05	8.04	2.09	8.40	2.12	8.59	2.14	8.77	2.16	9.15	2.20	9.53	2.24
						29	7.53	2.10	7.89	2.14	8.25	2.18	8.44	2.19	8.62	2.21	9.00	2.25	9.38	2.29
						31	7.37	2.15	7.74	2.19	8.10	2.23	8.29	2.25	8.47	2.27	8.85	2.30	9.23	2.34
						33	7.22	2.21	7.58	2.24	7.95	2.28	8.14	2.30	8.32	2.32	8.70	2.36	9.08	2.40
						35	7.07	2.26	7.43	2.30	7.80	2.34	8.00	2.35	8.17	2.37	8.55	2.41	8.93	2.45
						37	6.92	2.31	7.28	2.35	7.65	2.39	7.84	2.41	8.02	2.43	8.40	2.47	8.79	2.51
						39	6.77	2.37	7.13	2.41	7.50	2.45	7.69	2.47	7.87	2.49	8.25	2.52	8.64	2.56
						42	6.54	2.45	6.91	2.49	7.28	2.53	7.46	2.55	7.65	2.57	8.03	2.61	8.42	2.65
44	6.39	2.51	6.76	2.55	7.13	2.59	7.32	2.61	7.50	2.63	7.88	2.67	8.27	2.71						
46	6.24	2.57	6.61	2.61	6.98	2.65	7.17	2.67	7.36	2.69	7.74	2.73	8.12	2.77						
2000	2500	2500	2500	9500	119%	10	8.60	1.59	8.94	1.62	9.28	1.65	9.46	1.67	9.63	1.69	9.98	1.72	10.34	1.75
						12	8.45	1.63	8.79	1.66	9.13	1.70	9.31	1.71	9.48	1.73	9.84	1.76	10.20	1.80
						14	8.30	1.67	8.64	1.71	8.99	1.74	9.16	1.76	9.34	1.77	9.69	1.81	10.05	1.84
						16	8.15	1.72	8.49	1.75	8.84	1.78	9.01	1.80	9.19	1.82	9.54	1.85	9.90	1.89
						18	8.01	1.76	8.35	1.79	8.69	1.83	8.87	1.85	9.04	1.86	9.40	1.90	9.76	1.93
						20	7.86	1.81	8.20	1.84	8.55	1.88	8.72	1.89	8.90	1.91	9.25	1.95	9.61	1.98
						21	7.78	1.83	8.13	1.86	8.47	1.90	8.65	1.92	8.82	1.93	9.18	1.97	9.54	2.00
						23	7.64	1.88	7.98	1.91	8.33	1.95	8.50	1.96	8.68	1.98	9.04	2.02	9.40	2.05
						25	7.49	1.92	7.83	1.96	8.18	1.99	8.36	2.01	8.53	2.03	8.89	2.07	9.26	2.10
						27	7.34	1.97	7.69	2.01	8.04	2.04	8.21	2.06	8.39	2.08	8.75	2.11	9.11	2.15
						29	7.20	2.02	7.54	2.06	7.89	2.09	8.07	2.11	8.25	2.13	8.60	2.16	8.97	2.20
						31	7.05	2.07	7.40	2.11	7.75	2.14	7.92	2.16	8.10	2.18	8.46	2.22	8.83	2.25
						33	6.91	2.12	7.25	2.16	7.60	2.19	7.78	2.21	7.96	2.23	8.32	2.27	8.68	2.30
						35	6.76	2.17	7.11	2.21	7.46	2.25	7.65	2.26	7.81	2.28	8.18	2.32	8.54	2.36
						37	6.62	2.23	6.96	2.26	7.32	2.30	7.49	2.32	7.67	2.34	8.03	2.37	8.40	2.41
						39	6.47	2.28	6.82	2.32	7.17	2.35	7.35	2.37	7.53	2.39	7.89	2.43	8.26	2.46
						42	6.26	2.36	6.61	2.40	6.96	2.43	7.14	2.45	7.32	2.47	7.68	2.51	8.05	2.55
44	6.11	2.42	6.46	2.45	6.82	2.49	7.00	2.51	7.18	2.53	7.54	2.57	7.91	2.60						
46	5.97	2.47	6.32	2.51	6.67	2.55	6.85	2.57	7.03	2.58	7.40	2.62	7.77	2.66						

12. Capacity Table

Combination (Capacity Index)				Combination (Total)	Combination (%)	Outdoor Temperature (°C, DB)	Indoor Temperature(°C, WB)													
							14		16		18		19		20		22		24	
							TC(kW)	PI(kW)	TC(kW)	PI(kW)	TC(kW)	PI(kW)	TC(kW)	PI(kW)	TC(kW)	PI(kW)	TC(kW)	PI(kW)	TC(kW)	PI(kW)
2000	2500	2500	3500	10500	131%	10	8.87	1.63	9.22	1.67	9.57	1.70	9.75	1.72	9.93	1.74	10.30	1.77	10.67	1.81
						12	8.72	1.68	9.07	1.71	9.42	1.75	9.60	1.77	9.78	1.78	10.15	1.82	10.52	1.85
						14	8.56	1.72	8.91	1.76	9.27	1.79	9.45	1.81	9.63	1.83	9.99	1.86	10.37	1.90
						16	8.41	1.77	8.76	1.80	9.12	1.84	9.30	1.86	9.48	1.88	9.84	1.91	10.22	1.95
						18	8.26	1.81	8.61	1.85	8.97	1.89	9.15	1.90	9.33	1.92	9.69	1.96	10.07	1.99
						20	8.11	1.86	8.46	1.90	8.81	1.93	8.99	1.95	9.18	1.97	9.54	2.01	9.92	2.04
						21	8.03	1.89	8.38	1.92	8.74	1.96	8.92	1.98	9.10	1.99	9.47	2.03	9.84	2.07
						23	7.88	1.93	8.23	1.97	8.59	2.01	8.77	2.02	8.95	2.04	9.32	2.08	9.69	2.12
						25	7.73	1.98	8.08	2.02	8.44	2.06	8.62	2.07	8.80	2.09	9.17	2.13	9.55	2.17
						27	7.57	2.03	7.93	2.07	8.29	2.11	8.47	2.12	8.65	2.14	9.02	2.18	9.40	2.22
						29	7.42	2.08	7.78	2.12	8.14	2.16	8.32	2.18	8.50	2.19	8.87	2.23	9.25	2.27
						31	7.27	2.14	7.63	2.17	7.99	2.21	8.17	2.23	8.36	2.25	8.73	2.28	9.10	2.32
						33	7.12	2.19	7.48	2.22	7.84	2.26	8.02	2.28	8.21	2.30	8.58	2.34	8.96	2.38
						35	6.97	2.24	7.33	2.28	7.69	2.32	7.89	2.33	8.06	2.35	8.43	2.39	8.81	2.43
						37	6.82	2.29	7.18	2.33	7.54	2.37	7.73	2.39	7.91	2.41	8.29	2.45	8.66	2.48
						39	6.68	2.35	7.03	2.39	7.40	2.43	7.58	2.44	7.77	2.46	8.14	2.50	8.52	2.54
42	6.45	2.43	6.81	2.47	7.18	2.51	7.36	2.53	7.55	2.55	7.92	2.59	8.30	2.63						
44	6.31	2.49	6.67	2.53	7.03	2.57	7.21	2.59	7.40	2.61	7.78	2.65	8.16	2.68						
46	6.16	2.55	6.52	2.59	6.88	2.63	7.07	2.65	7.26	2.66	7.63	2.70	8.01	2.74						
2000	2500	2500	5000	12000	150%	10	9.00	1.61	9.35	1.65	9.71	1.68	9.89	1.70	10.07	1.72	10.44	1.75	10.81	1.79
						12	8.84	1.66	9.19	1.69	9.55	1.73	9.73	1.74	9.92	1.76	10.29	1.80	10.66	1.83
						14	8.68	1.70	9.04	1.74	9.40	1.77	9.58	1.79	9.76	1.81	10.13	1.84	10.51	1.88
						16	8.53	1.75	8.88	1.78	9.24	1.82	9.43	1.83	9.61	1.85	9.98	1.89	10.36	1.92
						18	8.37	1.79	8.73	1.83	9.09	1.86	9.27	1.88	9.46	1.90	9.83	1.93	10.21	1.97
						20	8.22	1.84	8.57	1.87	8.94	1.91	9.12	1.93	9.30	1.94	9.68	1.98	10.05	2.02
						21	8.14	1.86	8.50	1.90	8.86	1.93	9.04	1.95	9.23	1.97	9.60	2.00	9.98	2.04
						23	7.99	1.91	8.34	1.94	8.71	1.98	8.89	2.00	9.08	2.02	9.45	2.05	9.83	2.09
						25	7.83	1.96	8.19	1.99	8.56	2.03	8.74	2.05	8.92	2.07	9.30	2.10	9.68	2.14
						27	7.68	2.01	8.04	2.04	8.40	2.08	8.59	2.10	8.77	2.12	9.15	2.15	9.53	2.19
						29	7.53	2.06	7.89	2.09	8.25	2.13	8.44	2.15	8.62	2.17	9.00	2.20	9.38	2.24
						31	7.37	2.11	7.74	2.14	8.10	2.18	8.29	2.20	8.47	2.22	8.85	2.25	9.23	2.29
						33	7.22	2.16	7.58	2.20	7.95	2.23	8.14	2.25	8.32	2.27	8.70	2.31	9.08	2.34
						35	7.07	2.21	7.43	2.25	7.80	2.29	8.00	2.30	8.17	2.32	8.55	2.36	8.93	2.40
						37	6.92	2.27	7.28	2.30	7.65	2.34	7.84	2.36	8.02	2.38	8.40	2.42	8.79	2.45
						39	6.77	2.32	7.13	2.36	7.50	2.39	7.69	2.41	7.87	2.43	8.25	2.47	8.64	2.51
42	6.54	2.40	6.91	2.44	7.28	2.48	7.46	2.50	7.65	2.52	8.03	2.55	8.42	2.59						
44	6.39	2.46	6.76	2.50	7.13	2.53	7.32	2.55	7.50	2.57	7.88	2.61	8.27	2.65						
46	6.24	2.51	6.61	2.55	6.98	2.59	7.17	2.61	7.36	2.63	7.74	2.67	8.12	2.71						

12. Capacity Table

Combination (Capacity Index)				Combination (Total)	Combination (%)	Outdoor Temperature (°C, DB)	Indoor Temperature(°C, WB)													
							14		16		18		19		20		22		24	
							TC(kW)	PI(kW)	TC(kW)	PI(kW)	TC(kW)	PI(kW)	TC(kW)	PI(kW)	TC(kW)	PI(kW)	TC(kW)	PI(kW)	TC(kW)	PI(kW)
2000	2500	3500	3500	11500	144%	10	9.00	1.61	9.35	1.65	9.71	1.68	9.89	1.70	10.07	1.72	10.44	1.75	10.81	1.79
						12	8.84	1.66	9.19	1.69	9.55	1.73	9.73	1.74	9.92	1.76	10.29	1.80	10.66	1.83
						14	8.68	1.70	9.04	1.74	9.40	1.77	9.58	1.79	9.76	1.81	10.13	1.84	10.51	1.88
						16	8.53	1.75	8.88	1.78	9.24	1.82	9.43	1.83	9.61	1.85	9.98	1.89	10.36	1.92
						18	8.37	1.79	8.73	1.83	9.09	1.86	9.27	1.88	9.46	1.90	9.83	1.93	10.21	1.97
						20	8.22	1.84	8.57	1.87	8.94	1.91	9.12	1.93	9.30	1.94	9.68	1.98	10.05	2.02
						21	8.14	1.86	8.50	1.90	8.86	1.93	9.04	1.95	9.23	1.97	9.60	2.00	9.98	2.04
						23	7.99	1.91	8.34	1.94	8.71	1.98	8.89	2.00	9.08	2.02	9.45	2.05	9.83	2.09
						25	7.83	1.96	8.19	1.99	8.56	2.03	8.74	2.05	8.92	2.07	9.30	2.10	9.68	2.14
						27	7.68	2.01	8.04	2.04	8.40	2.08	8.59	2.10	8.77	2.12	9.15	2.15	9.53	2.19
						29	7.53	2.06	7.89	2.09	8.25	2.13	8.44	2.15	8.62	2.17	9.00	2.20	9.38	2.24
						31	7.37	2.11	7.74	2.14	8.10	2.18	8.29	2.20	8.47	2.22	8.85	2.25	9.23	2.29
						33	7.22	2.16	7.58	2.20	7.95	2.23	8.14	2.25	8.32	2.27	8.70	2.31	9.08	2.34
						35	7.07	2.21	7.43	2.25	7.80	2.29	8.00	2.30	8.17	2.32	8.55	2.36	8.93	2.40
						37	6.92	2.27	7.28	2.30	7.65	2.34	7.84	2.36	8.02	2.38	8.40	2.42	8.79	2.45
						39	6.77	2.32	7.13	2.36	7.50	2.39	7.69	2.41	7.87	2.43	8.25	2.47	8.64	2.51
42	6.54	2.40	6.91	2.44	7.28	2.48	7.46	2.50	7.65	2.52	8.03	2.55	8.42	2.59						
44	6.39	2.46	6.76	2.50	7.13	2.53	7.32	2.55	7.50	2.57	7.88	2.61	8.27	2.65						
46	6.24	2.51	6.61	2.55	6.98	2.59	7.17	2.61	7.36	2.63	7.74	2.67	8.12	2.71						
2500	2500	2500	2500	10000	125%	10	8.73	1.61	9.07	1.64	9.42	1.68	9.59	1.69	9.77	1.71	10.13	1.74	10.49	1.78
						12	8.57	1.65	8.92	1.68	9.27	1.72	9.44	1.74	9.62	1.75	9.98	1.79	10.34	1.82
						14	8.42	1.69	8.77	1.73	9.12	1.76	9.29	1.78	9.47	1.80	9.83	1.83	10.19	1.87
						16	8.27	1.74	8.62	1.77	8.97	1.81	9.14	1.83	9.32	1.84	9.68	1.88	10.05	1.91
						18	8.12	1.78	8.47	1.82	8.82	1.85	8.99	1.87	9.17	1.89	9.53	1.92	9.90	1.96
						20	7.97	1.83	8.32	1.87	8.67	1.90	8.85	1.92	9.03	1.94	9.39	1.97	9.75	2.01
						21	7.90	1.85	8.24	1.89	8.59	1.92	8.77	1.94	8.95	1.96	9.31	2.00	9.68	2.03
						23	7.75	1.90	8.09	1.94	8.45	1.97	8.62	1.99	8.80	2.01	9.17	2.04	9.53	2.08
						25	7.60	1.95	7.95	1.98	8.30	2.02	8.48	2.04	8.66	2.06	9.02	2.09	9.39	2.13
						27	7.45	2.00	7.80	2.03	8.15	2.07	8.33	2.09	8.51	2.11	8.87	2.14	9.24	2.18
						29	7.30	2.05	7.65	2.08	8.00	2.12	8.18	2.14	8.36	2.16	8.73	2.19	9.10	2.23
						31	7.15	2.10	7.50	2.14	7.86	2.17	8.04	2.19	8.22	2.21	8.58	2.25	8.95	2.28
						33	7.01	2.15	7.36	2.19	7.71	2.22	7.89	2.24	8.07	2.26	8.44	2.30	8.81	2.33
						35	6.86	2.20	7.21	2.24	7.57	2.28	7.76	2.29	7.93	2.31	8.29	2.35	8.67	2.39
						37	6.71	2.26	7.06	2.29	7.42	2.33	7.60	2.35	7.78	2.37	8.15	2.40	8.52	2.44
						39	6.57	2.31	6.92	2.35	7.28	2.38	7.46	2.40	7.64	2.42	8.01	2.46	8.38	2.50
42	6.35	2.39	6.70	2.43	7.06	2.47	7.24	2.49	7.42	2.50	7.79	2.54	8.16	2.58						
44	6.20	2.45	6.56	2.49	6.91	2.52	7.10	2.54	7.28	2.56	7.65	2.60	8.02	2.64						
46	6.06	2.50	6.41	2.54	6.77	2.58	6.95	2.60	7.14	2.62	7.51	2.66	7.88	2.70						

12. Capacity Table

Combination (Capacity Index)				Combination (Total)	Combination (%)	Outdoor Temperature (°C,DB)	Indoor Temperature(°C, WB)													
							14		16		18		19		20		22		24	
							TC(kW)	PI(kW)	TC(kW)	PI(kW)	TC(kW)	PI(kW)	TC(kW)	PI(kW)	TC(kW)	PI(kW)	TC(kW)	PI(kW)	TC(kW)	PI(kW)
2500	2500	2500	3500	11000	138%	10	9.00	1.61	9.35	1.65	9.71	1.68	9.89	1.70	10.07	1.72	10.44	1.75	10.81	1.79
						12	8.84	1.66	9.19	1.69	9.55	1.73	9.73	1.74	9.92	1.76	10.29	1.80	10.66	1.83
						14	8.68	1.70	9.04	1.74	9.40	1.77	9.58	1.79	9.76	1.81	10.13	1.84	10.51	1.88
						16	8.53	1.75	8.88	1.78	9.24	1.82	9.43	1.83	9.61	1.85	9.98	1.89	10.36	1.92
						18	8.37	1.79	8.73	1.83	9.09	1.86	9.27	1.88	9.46	1.90	9.83	1.93	10.21	1.97
						20	8.22	1.84	8.57	1.87	8.94	1.91	9.12	1.93	9.30	1.94	9.68	1.98	10.05	2.02
						21	8.14	1.86	8.50	1.90	8.86	1.93	9.04	1.95	9.23	1.97	9.60	2.00	9.98	2.04
						23	7.99	1.91	8.34	1.94	8.71	1.98	8.89	2.00	9.08	2.02	9.45	2.05	9.83	2.09
						25	7.83	1.96	8.19	1.99	8.56	2.03	8.74	2.05	8.92	2.07	9.30	2.10	9.68	2.14
						27	7.68	2.01	8.04	2.04	8.40	2.08	8.59	2.10	8.77	2.12	9.15	2.15	9.53	2.19
						29	7.53	2.06	7.89	2.09	8.25	2.13	8.44	2.15	8.62	2.17	9.00	2.20	9.38	2.24
						31	7.37	2.11	7.74	2.14	8.10	2.18	8.29	2.20	8.47	2.22	8.85	2.25	9.23	2.29
						33	7.22	2.16	7.58	2.20	7.95	2.23	8.14	2.25	8.32	2.27	8.70	2.31	9.08	2.34
						35	7.07	2.21	7.43	2.25	7.80	2.29	8.00	2.30	8.17	2.32	8.55	2.36	8.93	2.40
						37	6.92	2.27	7.28	2.30	7.65	2.34	7.84	2.36	8.02	2.38	8.40	2.42	8.79	2.45
						39	6.77	2.32	7.13	2.36	7.50	2.39	7.69	2.41	7.87	2.43	8.25	2.47	8.64	2.51
42	6.54	2.40	6.91	2.44	7.28	2.48	7.46	2.50	7.65	2.52	8.03	2.55	8.42	2.59						
44	6.39	2.46	6.76	2.50	7.13	2.53	7.32	2.55	7.50	2.57	7.88	2.61	8.27	2.65						
46	6.24	2.51	6.61	2.55	6.98	2.59	7.17	2.61	7.36	2.63	7.74	2.67	8.12	2.71						
2500	2500	3500	3500	12000	150%	10	9.00	1.38	9.35	1.41	9.71	1.44	9.89	1.46	10.07	1.47	10.44	1.50	10.81	1.53
						12	8.84	1.42	9.19	1.45	9.55	1.48	9.73	1.49	9.92	1.51	10.29	1.54	10.66	1.57
						14	8.68	1.46	9.04	1.49	9.40	1.52	9.58	1.53	9.76	1.55	10.13	1.58	10.51	1.61
						16	8.53	1.50	8.88	1.53	9.24	1.56	9.43	1.57	9.61	1.59	9.98	1.62	10.36	1.65
						18	8.37	1.53	8.73	1.56	9.09	1.59	9.27	1.61	9.46	1.63	9.83	1.66	10.21	1.69
						20	8.22	1.57	8.57	1.60	8.94	1.64	9.12	1.65	9.30	1.67	9.68	1.70	10.05	1.73
						21	8.14	1.59	8.50	1.62	8.86	1.66	9.04	1.67	9.23	1.69	9.60	1.72	9.98	1.75
						23	7.99	1.64	8.34	1.67	8.71	1.70	8.89	1.71	9.08	1.73	9.45	1.76	9.83	1.79
						25	7.83	1.68	8.19	1.71	8.56	1.74	8.74	1.75	8.92	1.77	9.30	1.80	9.68	1.83
						27	7.68	1.72	8.04	1.75	8.40	1.78	8.59	1.80	8.77	1.81	9.15	1.84	9.53	1.87
						29	7.53	1.76	7.89	1.79	8.25	1.82	8.44	1.84	8.62	1.86	9.00	1.89	9.38	1.92
						31	7.37	1.81	7.74	1.84	8.10	1.87	8.29	1.88	8.47	1.90	8.85	1.93	9.23	1.96
						33	7.22	1.85	7.58	1.88	7.95	1.91	8.14	1.93	8.32	1.94	8.70	1.98	9.08	2.01
						35	7.07	1.89	7.43	1.93	7.80	1.96	8.00	1.97	8.17	1.99	8.55	2.02	8.93	2.05
						37	6.92	1.94	7.28	1.97	7.65	2.00	7.84	2.02	8.02	2.04	8.40	2.07	8.79	2.10
						39	6.77	1.99	7.13	2.02	7.50	2.05	7.69	2.07	7.87	2.08	8.25	2.12	8.64	2.15
42	6.54	2.06	6.91	2.09	7.28	2.12	7.46	2.14	7.65	2.15	8.03	2.19	8.42	2.22						
44	6.39	2.11	6.76	2.14	7.13	2.17	7.32	2.19	7.50	2.20	7.88	2.24	8.27	2.27						
46	6.24	2.15	6.61	2.19	6.98	2.22	7.17	2.24	7.36	2.25	7.74	2.29	8.12	2.32						

NOTE

- Cooling capacity is based on 27°CDB / 19°CWB (indoor temperature), 35°CDB (outdoor temperature).
- Heating capacity is based on 20°CDB (indoor temperature), 7°CDB/6°CWB (outdoor temperature).
- The above is the value for connecting with the following indoor units.
 - 2000, 2500, 3500, 5000, 6800W class: Wall Mounted [only for AR**FSSEDWUN, AR**FSFPESNN, AR**FSFPDGMN]
- Capacities are based on the following conditions:
 - Corresponding refrigerant piping length : 5m / - Level difference : 0m
- The total ability of connected a indoor unit is up to 12kW
- It is impossible to connect the indoor unit for one room only.
- This data is reference data for temperature capacity trend.

12. Capacity Table

12-5. AJ080RCJ4EG/EU

Heating

Combination (Capacity Index)				Combination (Total)	Combination (%)	Outdoor Temperature (°C,DB)	Indoor Temperature(°C, DB)													
							14		16		18		20		21		22		24	
							TC(kW)	PI(kW)	TC(kW)	PI(kW)	TC(kW)	PI(kW)	TC(kW)	PI(kW)	TC(kW)	PI(kW)	TC(kW)	PI(kW)	TC(kW)	PI(kW)
2000				2000	25%	-15	1.26	0.76	1.22	0.77	1.18	0.78	1.17	0.78	1.15	0.79	1.13	0.79	1.11	0.80
						-10	1.51	0.79	1.47	0.81	1.43	0.82	1.41	0.82	1.40	0.83	1.37	0.83	1.34	0.84
						-5	1.76	0.83	1.71	0.85	1.67	0.86	1.66	0.86	1.64	0.87	1.61	0.88	1.58	0.88
						0	2.01	0.87	1.96	0.89	1.92	0.90	1.90	0.90	1.88	0.91	1.85	0.92	1.82	0.93
						2	2.11	0.89	2.06	0.90	2.02	0.91	2.00	0.92	1.98	0.92	1.95	0.93	1.92	0.94
						7	2.31	0.92	2.26	0.93	2.21	0.95	2.20	0.95	2.17	0.96	2.14	0.97	2.11	0.98
						10	2.51	0.95	2.46	0.96	2.41	0.98	2.39	0.98	2.37	0.99	2.33	1.00	2.30	1.01
2500				2500	31%	-15	1.89	0.91	1.83	0.93	1.78	0.94	1.75	0.95	1.73	0.95	1.69	0.96	1.66	0.97
						-10	2.26	0.96	2.20	0.98	2.14	0.99	2.12	1.00	2.09	1.00	2.05	1.01	2.02	1.02
						-5	2.64	1.01	2.57	1.02	2.51	1.04	2.48	1.04	2.46	1.05	2.41	1.06	2.37	1.07
						0	3.01	1.06	2.94	1.07	2.88	1.09	2.85	1.09	2.82	1.10	2.77	1.11	2.73	1.12
						2	3.16	1.08	3.09	1.09	3.03	1.11	3.00	1.11	2.97	1.12	2.92	1.13	2.87	1.14
						7	3.46	1.11	3.39	1.13	3.32	1.14	3.30	1.15	3.26	1.16	3.21	1.17	3.16	1.18
						10	3.76	1.15	3.69	1.17	3.62	1.18	3.59	1.19	3.55	1.20	3.50	1.21	3.45	1.22
3500				3500	44%	-15	2.29	1.03	2.22	1.05	2.15	1.06	2.13	1.07	2.10	1.07	2.05	1.08	2.01	1.09
						-10	2.74	1.09	2.67	1.10	2.60	1.12	2.57	1.12	2.54	1.13	2.49	1.14	2.44	1.15
						-5	3.20	1.14	3.12	1.16	3.04	1.17	3.01	1.18	2.98	1.19	2.92	1.20	2.88	1.21
						0	3.65	1.19	3.57	1.21	3.49	1.23	3.46	1.24	3.42	1.24	3.36	1.26	3.31	1.27
						2	3.83	1.22	3.75	1.23	3.67	1.25	3.63	1.26	3.60	1.27	3.54	1.28	3.48	1.29
						7	4.20	1.26	4.11	1.28	4.03	1.29	4.00	1.30	3.95	1.31	3.89	1.32	3.83	1.34
						10	4.56	1.30	4.47	1.32	4.38	1.34	4.35	1.35	4.31	1.35	4.24	1.37	4.18	1.38
5000				5000	63%	-15	3.43	1.39	3.33	1.41	3.23	1.43	3.19	1.44	3.15	1.45	3.08	1.46	3.02	1.47
						-10	4.11	1.46	4.00	1.49	3.90	1.51	3.85	1.51	3.81	1.52	3.73	1.54	3.67	1.55
						-5	4.80	1.54	4.67	1.56	4.57	1.58	4.52	1.59	4.47	1.60	4.39	1.61	4.31	1.63
						0	5.48	1.61	5.35	1.63	5.24	1.65	5.18	1.66	5.13	1.67	5.04	1.69	4.97	1.71
						2	5.75	1.64	5.62	1.66	5.50	1.68	5.45	1.69	5.40	1.70	5.31	1.72	5.23	1.74
						7	6.30	1.69	6.16	1.72	6.04	1.74	6.00	1.75	5.93	1.76	5.83	1.78	5.75	1.80
						10	6.84	1.75	6.70	1.78	6.58	1.80	6.52	1.81	6.46	1.82	6.36	1.84	6.27	1.86
6800				6800	85%	-15	4.47	1.79	4.33	1.82	4.20	1.84	4.14	1.85	4.09	1.86	4.00	1.88	3.92	1.89
						-10	5.35	1.88	5.20	1.91	5.07	1.94	5.01	1.95	4.95	1.96	4.85	1.98	4.77	1.99
						-5	6.23	1.98	6.08	2.00	5.94	2.03	5.87	2.04	5.81	2.05	5.70	2.08	5.61	2.09
						0	7.12	2.07	6.96	2.10	6.81	2.13	6.74	2.14	6.67	2.15	6.56	2.17	6.45	2.19
						2	7.47	2.10	7.31	2.14	7.15	2.16	7.08	2.18	7.02	2.19	6.90	2.21	6.79	2.23
						7	8.19	2.18	8.01	2.21	7.85	2.24	7.80	2.25	7.71	2.27	7.58	2.29	7.47	2.31
						10	8.90	2.25	8.72	2.28	8.55	2.31	8.47	2.33	8.40	2.34	8.27	2.37	8.15	2.39
						15	9.79	2.34	9.60	2.38	9.43	2.41	9.34	2.42	9.27	2.44	9.13	2.46	9.00	2.49

12. Capacity Table

Combination (Capacity Index)				Combination (Total)	Combination (%)	Outdoor Temperature (°C, DB)	Indoor Temperature(°C, DB)															
							14		16		18		20		21		22		24			
							TC(kW)	PI(kW)	TC(kW)	PI(kW)	TC(kW)	PI(kW)	TC(kW)	PI(kW)	TC(kW)	PI(kW)	TC(kW)	PI(kW)	TC(kW)	PI(kW)		
2000	2000			4000	50%	-15	2.52	0.97	2.44	0.98	2.37	1.00	2.34	1.00	2.31	1.01	2.26	1.02	2.21	1.03		
						-10	3.02	1.02	2.93	1.04	2.86	1.05	2.82	1.06	2.79	1.06	2.74	1.07	2.69	1.08		
						-5	3.52	1.07	3.43	1.09	3.35	1.10	3.31	1.11	3.28	1.11	3.22	1.13	3.16	1.14		
						0	4.02	1.12	3.92	1.14	3.84	1.15	3.80	1.16	3.76	1.17	3.70	1.18	3.64	1.19		
						2	4.22	1.14	4.12	1.16	4.04	1.17	4.00	1.18	3.96	1.19	3.89	1.20	3.83	1.21		
						7	4.62	1.18	4.52	1.20	4.43	1.21	4.40	1.22	4.35	1.23	4.28	1.24	4.21	1.25		
						10	5.02	1.22	4.92	1.24	4.82	1.25	4.78	1.26	4.74	1.27	4.66	1.28	4.60	1.30		
						15	5.52	1.27	5.41	1.29	5.32	1.31	5.27	1.31	5.23	1.32	5.15	1.34	5.08	1.35		
2000	2500			4500	56%	-15	2.92	1.12	2.83	1.14	2.75	1.15	2.71	1.16	2.68	1.17	2.62	1.18	2.56	1.19		
						-10	3.50	1.18	3.40	1.20	3.31	1.21	3.27	1.22	3.24	1.23	3.17	1.24	3.12	1.25		
						-5	4.08	1.24	3.97	1.26	3.88	1.27	3.84	1.28	3.80	1.29	3.73	1.30	3.67	1.31		
						0	4.66	1.30	4.55	1.31	4.45	1.33	4.41	1.34	4.36	1.35	4.29	1.36	4.22	1.37		
						2	4.89	1.32	4.78	1.34	4.68	1.36	4.63	1.36	4.59	1.37	4.51	1.39	4.44	1.40		
						7	5.35	1.36	5.24	1.38	5.13	1.40	5.10	1.41	5.04	1.42	4.96	1.44	4.89	1.45		
						10	5.82	1.41	5.70	1.43	5.59	1.45	5.54	1.46	5.49	1.47	5.41	1.48	5.33	1.50		
						15	6.40	1.47	6.28	1.49	6.16	1.51	6.11	1.52	6.06	1.53	5.97	1.54	5.88	1.56		
2000	3500			5500	69%	-15	3.43	1.40	3.33	1.42	3.23	1.44	3.19	1.45	3.15	1.45	3.08	1.47	3.02	1.48		
						-10	4.11	1.47	4.00	1.49	3.90	1.51	3.85	1.52	3.81	1.53	3.73	1.55	3.67	1.56		
						-5	4.80	1.55	4.67	1.57	4.57	1.59	4.52	1.60	4.47	1.61	4.39	1.62	4.31	1.64		
						0	5.48	1.62	5.35	1.64	5.24	1.66	5.18	1.67	5.13	1.68	5.04	1.70	4.97	1.72		
						2	5.75	1.65	5.62	1.67	5.50	1.69	5.45	1.70	5.40	1.71	5.31	1.73	5.23	1.75		
						7	6.30	1.70	6.16	1.73	6.04	1.75	6.00	1.76	5.93	1.77	5.83	1.79	5.75	1.81		
						10	6.84	1.76	6.70	1.79	6.58	1.81	6.52	1.82	6.46	1.83	6.36	1.85	6.27	1.87		
						15	7.53	1.83	7.38	1.86	7.25	1.88	7.19	1.89	7.13	1.91	7.02	1.93	6.92	1.95		
2000	5000			7000	88%	-15	4.47	1.72	4.33	1.74	4.20	1.77	4.14	1.78	4.09	1.79	4.00	1.80	3.92	1.82		
						-10	5.35	1.81	5.20	1.83	5.07	1.86	5.01	1.87	4.95	1.88	4.85	1.90	4.77	1.91		
						-5	6.23	1.90	6.08	1.92	5.94	1.95	5.87	1.96	5.81	1.97	5.70	1.99	5.61	2.01		
						0	7.12	1.98	6.96	2.01	6.81	2.04	6.74	2.05	6.67	2.07	6.56	2.09	6.45	2.11		
						2	7.47	2.02	7.31	2.05	7.15	2.08	7.08	2.09	7.02	2.10	6.90	2.12	6.79	2.14		
						7	8.19	2.09	8.01	2.12	7.85	2.15	7.80	2.16	7.71	2.18	7.58	2.20	7.47	2.22		
						10	8.90	2.16	8.72	2.19	8.55	2.22	8.47	2.24	8.40	2.25	8.27	2.27	8.15	2.29		
						15	9.79	2.25	9.60	2.28	9.43	2.31	9.34	2.33	9.27	2.34	9.13	2.36	9.00	2.39		
2000	6800			8800	110%	-15	4.65	1.79	4.50	1.82	4.37	1.84	4.31	1.85	4.26	1.86	4.16	1.88	4.08	1.89		
						-10	5.57	1.88	5.41	1.91	5.28	1.94	5.21	1.95	5.15	1.96	5.05	1.98	4.96	1.99		
						-5	6.49	1.98	6.33	2.00	6.18	2.03	6.11	2.04	6.05	2.05	5.94	2.08	5.84	2.09		
						0	7.41	2.07	7.24	2.10	7.09	2.13	7.01	2.14	6.95	2.15	6.83	2.17	6.72	2.19		
						2	7.78	2.10	7.61	2.14	7.45	2.16	7.38	2.18	7.31	2.19	7.18	2.21	7.07	2.23		
						7	8.52	2.18	8.34	2.21	8.17	2.24	8.12	2.25	8.03	2.27	7.89	2.29	7.78	2.31		
						10	9.26	2.25	9.07	2.28	8.90	2.31	8.82	2.33	8.75	2.34	8.61	2.37	8.48	2.39		
						15	10.19	2.34	9.99	2.38	9.81	2.41	9.73	2.42	9.65	2.44	9.50	2.46	9.37	2.49		
2500	2500			5000	63%	-15	3.32	1.27	3.22	1.29	3.12	1.31	3.08	1.32	3.04	1.32	2.97	1.34	2.92	1.35		
						-10	3.98	1.34	3.87	1.36	3.77	1.38	3.72	1.38	3.68	1.39	3.61	1.41	3.54	1.42		
						-5	4.64	1.40	4.52	1.43	4.41	1.44	4.37	1.45	4.32	1.46	4.24	1.48	4.17	1.49		
						0	5.29	1.47	5.17	1.49	5.06	1.51	5.01	1.52	4.96	1.53	4.88	1.55	4.80	1.56		
						2	5.56	1.50	5.43	1.52	5.32	1.54	5.27	1.55	5.22	1.56	5.13	1.57	5.05	1.59		
						7	6.09	1.55	5.96	1.57	5.84	1.59	5.80	1.60	5.73	1.61	5.64	1.63	5.56	1.64		
						10	6.62	1.60	6.48	1.62	6.36	1.65	6.30	1.66	6.25	1.67	6.15	1.68	6.06	1.70		
						15	7.28	1.66	7.14	1.69	7.01	1.71	6.95	1.72	6.89	1.73	6.79	1.75	6.69	1.77		

12. Capacity Table

Combination (Capacity Index)				Combination (Total)	Combination (%)	Outdoor Temperature (°C,DB)	Indoor Temperature(°C, DB)															
							14		16		18		20		21		22		24			
							TC(kW)	PI(kW)	TC(kW)	PI(kW)	TC(kW)	PI(kW)	TC(kW)	PI(kW)	TC(kW)	PI(kW)	TC(kW)	PI(kW)	TC(kW)	PI(kW)		
2500	3500			6000	75%	-15	3.84	1.54	3.72	1.57	3.61	1.59	3.56	1.59	3.52	1.60	3.44	1.62	3.37	1.63		
						-10	4.59	1.62	4.47	1.65	4.35	1.67	4.30	1.68	4.25	1.69	4.17	1.70	4.09	1.72		
						-5	5.35	1.70	5.22	1.73	5.10	1.75	5.04	1.76	4.99	1.77	4.90	1.79	4.82	1.81		
						0	6.12	1.78	5.97	1.81	5.85	1.83	5.79	1.84	5.73	1.86	5.63	1.87	5.54	1.89		
						2	6.42	1.81	6.28	1.84	6.15	1.87	6.09	1.88	6.03	1.89	5.93	1.91	5.84	1.93		
						7	7.03	1.88	6.88	1.91	6.74	1.93	6.70	1.94	6.62	1.95	6.51	1.97	6.42	1.99		
						10	7.64	1.94	7.49	1.97	7.34	2.00	7.28	2.01	7.22	2.02	7.10	2.04	7.00	2.06		
						15	8.41	2.02	8.24	2.05	8.10	2.08	8.03	2.09	7.96	2.10	7.84	2.12	7.73	2.14		
2500	5000			7500	94%	-15	4.47	1.72	4.33	1.74	4.20	1.77	4.14	1.78	4.09	1.79	4.00	1.80	3.92	1.82		
						-10	5.35	1.81	5.20	1.83	5.07	1.86	5.01	1.87	4.95	1.88	4.85	1.90	4.77	1.91		
						-5	6.23	1.90	6.08	1.92	5.94	1.95	5.87	1.96	5.81	1.97	5.70	1.99	5.61	2.01		
						0	7.12	1.98	6.96	2.01	6.81	2.04	6.74	2.05	6.67	2.07	6.56	2.09	6.45	2.11		
						2	7.47	2.02	7.31	2.05	7.15	2.08	7.08	2.09	7.02	2.10	6.90	2.12	6.79	2.14		
						7	8.19	2.09	8.01	2.12	7.85	2.15	7.80	2.16	7.71	2.18	7.58	2.20	7.47	2.22		
						10	8.90	2.16	8.72	2.19	8.55	2.22	8.47	2.24	8.40	2.25	8.27	2.27	8.15	2.29		
						15	9.79	2.25	9.60	2.28	9.43	2.31	9.34	2.33	9.27	2.34	9.13	2.36	9.00	2.39		
2500	6800			9300	116%	-15	4.78	1.86	4.63	1.89	4.50	1.91	4.44	1.92	4.38	1.93	4.28	1.95	4.20	1.97		
						-10	5.73	1.96	5.57	1.99	5.43	2.01	5.36	2.02	5.30	2.04	5.19	2.06	5.10	2.07		
						-5	6.67	2.05	6.51	2.08	6.35	2.11	6.29	2.13	6.22	2.14	6.10	2.16	6.00	2.18		
						0	7.62	2.15	7.45	2.18	7.29	2.21	7.21	2.22	7.14	2.24	7.02	2.26	6.91	2.28		
						2	8.00	2.19	7.82	2.22	7.66	2.25	7.58	2.26	7.51	2.28	7.38	2.30	7.27	2.32		
						7	8.76	2.26	8.58	2.30	8.41	2.33	8.35	2.34	8.25	2.36	8.12	2.38	8.00	2.40		
						10	9.52	2.34	9.33	2.37	9.15	2.41	9.07	2.42	8.99	2.44	8.85	2.46	8.73	2.49		
						15	10.48	2.43	10.28	2.47	10.09	2.50	10.00	2.52	9.92	2.53	9.77	2.56	9.63	2.59		
3500	3500			7000	88%	-15	4.35	1.73	4.21	1.76	4.09	1.78	4.04	1.79	3.99	1.80	3.90	1.82	3.82	1.83		
						-10	5.21	1.82	5.07	1.85	4.94	1.88	4.88	1.89	4.82	1.90	4.73	1.92	4.64	1.93		
						-5	6.07	1.91	5.92	1.94	5.78	1.97	5.72	1.98	5.66	1.99	5.56	2.01	5.47	2.03		
						0	6.94	2.00	6.78	2.03	6.63	2.06	6.57	2.07	6.50	2.08	6.39	2.11	6.29	2.12		
						2	7.28	2.04	7.12	2.07	6.97	2.10	6.90	2.11	6.84	2.12	6.72	2.14	6.62	2.16		
						7	7.98	2.11	7.81	2.14	7.65	2.17	7.60	2.18	7.51	2.20	7.39	2.22	7.28	2.24		
						10	8.67	2.18	8.49	2.21	8.33	2.24	8.26	2.26	8.19	2.27	8.06	2.29	7.94	2.32		
						15	9.54	2.27	9.35	2.30	9.18	2.33	9.10	2.35	9.03	2.36	8.89	2.39	8.77	2.41		
3500	5000			8500	106%	-15	4.65	1.79	4.50	1.82	4.37	1.84	4.31	1.85	4.26	1.86	4.16	1.88	4.08	1.89		
						-10	5.57	1.88	5.41	1.91	5.28	1.94	5.21	1.95	5.15	1.96	5.05	1.98	4.96	1.99		
						-5	6.49	1.98	6.33	2.00	6.18	2.03	6.11	2.04	6.05	2.05	5.94	2.08	5.84	2.09		
						0	7.41	2.07	7.24	2.10	7.09	2.13	7.01	2.14	6.95	2.15	6.83	2.17	6.72	2.19		
						2	7.78	2.10	7.61	2.14	7.45	2.16	7.38	2.18	7.31	2.19	7.18	2.21	7.07	2.23		
						7	8.52	2.18	8.34	2.21	8.17	2.24	8.12	2.25	8.03	2.27	7.89	2.29	7.78	2.31		
						10	9.26	2.25	9.07	2.28	8.90	2.31	8.82	2.33	8.75	2.34	8.61	2.37	8.48	2.39		
						15	10.19	2.34	9.99	2.38	9.81	2.41	9.73	2.42	9.65	2.44	9.50	2.46	9.37	2.49		
3500	6800			10300	129%	-15	4.84	1.89	4.69	1.92	4.55	1.95	4.49	1.96	4.43	1.97	4.33	1.99	4.25	2.00		
						-10	5.79	1.99	5.63	2.02	5.49	2.05	5.42	2.06	5.36	2.07	5.25	2.09	5.16	2.11		
						-5	6.75	2.09	6.58	2.12	6.43	2.15	6.36	2.16	6.30	2.17	6.18	2.20	6.08	2.21		
						0	7.71	2.19	7.53	2.22	7.37	2.25	7.30	2.26	7.23	2.28	7.10	2.30	6.99	2.32		
						2	8.10	2.23	7.92	2.26	7.75	2.29	7.68	2.30	7.60	2.32	7.47	2.34	7.36	2.36		
						7	8.87	2.30	8.68	2.34	8.51	2.37	8.45	2.38	8.35	2.40	8.21	2.42	8.09	2.45		
						10	9.64	2.38	9.44	2.42	9.26	2.45	9.18	2.46	9.10	2.48	8.96	2.50	8.83	2.53		
						15	10.60	2.48	10.40	2.51	10.21	2.55	10.12	2.56	10.04	2.58	9.89	2.61	9.75	2.63		

12. Capacity Table

Combination (Capacity Index)				Combination (Total)	Combination (%)	Outdoor Temperature (°C, DB)	Indoor Temperature(°C, DB)													
							14		16		18		20		21		22		24	
							TC(kW)	PI(kW)	TC(kW)	PI(kW)	TC(kW)	PI(kW)	TC(kW)	PI(kW)	TC(kW)	PI(kW)	TC(kW)	PI(kW)	TC(kW)	PI(kW)
5000	5000			10000	125%	-15	4.87	1.86	4.71	1.89	4.58	1.91	4.52	1.92	4.46	1.93	4.36	1.95	4.27	1.97
						-10	5.83	1.96	5.67	1.99	5.52	2.01	5.46	2.02	5.40	2.04	5.29	2.06	5.19	2.07
						-5	6.79	2.05	6.62	2.08	6.47	2.11	6.40	2.13	6.33	2.14	6.21	2.16	6.11	2.18
						0	7.76	2.15	7.58	2.18	7.42	2.21	7.34	2.22	7.27	2.24	7.14	2.26	7.03	2.28
						2	8.15	2.19	7.96	2.22	7.80	2.25	7.72	2.26	7.65	2.28	7.52	2.30	7.40	2.32
						7	8.92	2.26	8.73	2.30	8.56	2.33	8.50	2.34	8.40	2.36	8.26	2.38	8.14	2.40
						10	9.70	2.34	9.50	2.37	9.32	2.41	9.23	2.42	9.16	2.44	9.01	2.46	8.88	2.49
						15	10.67	2.43	10.46	2.47	10.27	2.50	10.18	2.52	10.10	2.53	9.95	2.56	9.81	2.59
5000	6800			11800	148%	-15	4.95	1.92	4.80	1.95	4.66	1.98	4.60	1.99	4.54	2.00	4.44	2.02	4.35	2.04
						-10	5.93	2.02	5.77	2.05	5.62	2.08	5.55	2.09	5.49	2.11	5.38	2.13	5.28	2.14
						-5	6.91	2.12	6.74	2.16	6.58	2.18	6.51	2.20	6.44	2.21	6.32	2.23	6.22	2.25
						0	7.90	2.22	7.71	2.26	7.55	2.29	7.47	2.30	7.40	2.31	7.27	2.34	7.16	2.36
						2	8.29	2.26	8.10	2.30	7.93	2.33	7.86	2.34	7.78	2.36	7.65	2.38	7.53	2.40
						7	9.08	2.34	8.88	2.38	8.71	2.41	8.65	2.42	8.55	2.44	8.41	2.46	8.29	2.49
						10	9.87	2.42	9.67	2.46	9.48	2.49	9.40	2.50	9.32	2.52	9.17	2.55	9.04	2.57
						15	10.85	2.52	10.64	2.55	10.45	2.59	10.36	2.61	10.28	2.62	10.12	2.65	9.98	2.68
2000	2000	2000		6000	75%	-15	3.78	1.45	3.66	1.48	3.55	1.50	3.51	1.50	3.46	1.51	3.38	1.53	3.32	1.54
						-10	4.53	1.53	4.40	1.55	4.29	1.57	4.24	1.58	4.19	1.59	4.10	1.61	4.03	1.62
						-5	5.27	1.61	5.14	1.63	5.02	1.65	4.97	1.66	4.92	1.67	4.83	1.69	4.75	1.70
						0	6.02	1.68	5.89	1.71	5.76	1.73	5.70	1.74	5.65	1.75	5.55	1.77	5.46	1.78
						2	6.32	1.71	6.18	1.74	6.05	1.76	5.99	1.77	5.94	1.78	5.84	1.80	5.75	1.82
						7	6.93	1.77	6.78	1.80	6.64	1.82	6.60	1.83	6.52	1.84	6.42	1.86	6.32	1.88
						10	7.53	1.83	7.37	1.86	7.24	1.88	7.17	1.89	7.11	1.91	7.00	1.93	6.90	1.94
						15	8.28	1.90	8.12	1.93	7.98	1.96	7.91	1.97	7.84	1.98	7.72	2.00	7.62	2.02
2000	2000	2500		6500	81%	-15	4.18	1.55	4.05	1.57	3.93	1.59	3.88	1.60	3.83	1.61	3.74	1.63	3.67	1.64
						-10	5.01	1.63	4.87	1.66	4.74	1.68	4.69	1.69	4.63	1.70	4.54	1.71	4.46	1.73
						-5	5.83	1.71	5.69	1.74	5.56	1.76	5.50	1.77	5.44	1.78	5.34	1.80	5.25	1.81
						0	6.66	1.79	6.51	1.82	6.37	1.84	6.31	1.85	6.25	1.86	6.14	1.88	6.04	1.90
						2	7.00	1.82	6.84	1.85	6.70	1.88	6.63	1.89	6.57	1.90	6.46	1.92	6.36	1.94
						7	7.66	1.89	7.50	1.92	7.35	1.94	7.30	1.95	7.22	1.96	7.10	1.99	6.99	2.00
						10	8.33	1.95	8.16	1.98	8.00	2.01	7.93	2.02	7.86	2.03	7.74	2.05	7.63	2.07
						15	9.16	2.03	8.98	2.06	8.82	2.09	8.75	2.10	8.67	2.11	8.54	2.14	8.42	2.16
2000	2000	3500		7500	94%	-15	4.69	1.71	4.55	1.73	4.42	1.76	4.36	1.77	4.30	1.78	4.20	1.79	4.12	1.81
						-10	5.62	1.80	5.47	1.83	5.33	1.85	5.26	1.86	5.21	1.87	5.10	1.89	5.01	1.91
						-5	6.55	1.89	6.39	1.92	6.24	1.94	6.17	1.95	6.11	1.96	5.99	1.98	5.90	2.00
						0	7.48	1.98	7.31	2.01	7.16	2.03	7.08	2.04	7.02	2.06	6.89	2.08	6.79	2.10
						2	7.86	2.01	7.68	2.04	7.52	2.07	7.45	2.08	7.38	2.09	7.25	2.11	7.14	2.13
						7	8.61	2.08	8.42	2.11	8.25	2.14	8.20	2.15	8.10	2.17	7.97	2.19	7.85	2.21
						10	9.35	2.15	9.16	2.18	8.99	2.21	8.91	2.23	8.83	2.24	8.69	2.26	8.57	2.28
						15	10.29	2.24	10.09	2.27	9.91	2.30	9.82	2.31	9.74	2.33	9.59	2.35	9.46	2.38
2000	2000	5000		9000	113%	-15	4.93	1.70	4.78	1.73	4.64	1.75	4.58	1.76	4.52	1.77	4.42	1.79	4.34	1.80
						-10	5.91	1.79	5.75	1.82	5.60	1.84	5.53	1.85	5.47	1.86	5.36	1.88	5.27	1.90
						-5	6.89	1.88	6.72	1.91	6.56	1.93	6.49	1.94	6.42	1.95	6.30	1.97	6.20	1.99
						0	7.87	1.97	7.69	2.00	7.52	2.02	7.45	2.03	7.37	2.05	7.25	2.07	7.13	2.09
						2	8.26	2.00	8.07	2.03	7.91	2.06	7.83	2.07	7.76	2.08	7.62	2.10	7.51	2.12
						7	9.05	2.07	8.85	2.10	8.68	2.13	8.62	2.14	8.52	2.16	8.38	2.18	8.26	2.20
						10	9.83	2.14	9.63	2.17	9.45	2.20	9.36	2.21	9.28	2.23	9.14	2.25	9.01	2.27
						15	10.82	2.23	10.61	2.26	10.42	2.29	10.33	2.30	10.24	2.32	10.09	2.34	9.95	2.37

12. Capacity Table

Combination (Capacity Index)				Combination (Total)	Combination (%)	Outdoor Temperature (°C,DB)	Indoor Temperature(°C, DB)															
							14		16		18		20		21		22		24			
							TC(kW)	PI(kW)	TC(kW)	PI(kW)	TC(kW)	PI(kW)	TC(kW)	PI(kW)	TC(kW)	PI(kW)	TC(kW)	PI(kW)	TC(kW)	PI(kW)		
2000	2000	6800	10800	135%	-15	5.01	1.71	4.85	1.73	4.71	1.76	4.65	1.77	4.59	1.78	4.49	1.79	4.40	1.81			
					-10	6.00	1.80	5.83	1.83	5.69	1.85	5.62	1.86	5.55	1.87	5.44	1.89	5.35	1.91			
					-5	6.99	1.89	6.82	1.92	6.66	1.94	6.59	1.95	6.52	1.96	6.40	1.98	6.29	2.00			
					0	7.99	1.98	7.80	2.01	7.64	2.03	7.56	2.04	7.49	2.06	7.35	2.08	7.24	2.10			
					2	8.39	2.01	8.20	2.04	8.03	2.07	7.95	2.08	7.87	2.09	7.74	2.11	7.62	2.13			
					7	9.18	2.08	8.99	2.11	8.81	2.14	8.75	2.15	8.65	2.17	8.51	2.19	8.38	2.21			
					10	9.98	2.15	9.78	2.18	9.59	2.21	9.51	2.23	9.42	2.24	9.27	2.26	9.14	2.28			
					15	10.98	2.24	10.77	2.27	10.57	2.30	10.48	2.31	10.40	2.33	10.24	2.35	10.10	2.38			
2000	2500	2500	7000	88%	-15	4.58	1.65	4.44	1.68	4.31	1.70	4.25	1.71	4.20	1.72	4.10	1.74	4.02	1.75			
					-10	5.49	1.74	5.33	1.77	5.20	1.79	5.14	1.80	5.08	1.81	4.97	1.83	4.89	1.84			
					-5	6.39	1.83	6.23	1.85	6.09	1.88	6.02	1.89	5.96	1.90	5.85	1.92	5.75	1.94			
					0	7.30	1.91	7.13	1.94	6.98	1.97	6.91	1.98	6.84	1.99	6.72	2.01	6.62	2.03			
					2	7.67	1.95	7.49	1.97	7.34	2.00	7.27	2.01	7.20	2.02	7.07	2.05	6.97	2.06			
					7	8.40	2.01	8.22	2.04	8.05	2.07	8.00	2.08	7.91	2.10	7.78	2.12	7.66	2.14			
					10	9.12	2.08	8.94	2.11	8.77	2.14	8.69	2.15	8.62	2.17	8.48	2.19	8.36	2.21			
					15	10.04	2.16	9.84	2.20	9.67	2.23	9.58	2.24	9.51	2.25	9.36	2.28	9.23	2.30			
2000	2500	3500	8000	100%	-15	4.88	1.67	4.73	1.69	4.59	1.72	4.53	1.73	4.48	1.74	4.37	1.75	4.29	1.77			
					-10	5.85	1.76	5.69	1.78	5.54	1.81	5.48	1.82	5.41	1.83	5.30	1.85	5.21	1.86			
					-5	6.82	1.84	6.65	1.87	6.49	1.90	6.42	1.91	6.36	1.92	6.24	1.94	6.13	1.95			
					0	7.79	1.93	7.61	1.96	7.44	1.98	7.37	2.00	7.30	2.01	7.17	2.03	7.06	2.05			
					2	8.17	1.96	7.99	1.99	7.82	2.02	7.75	2.03	7.68	2.04	7.54	2.07	7.43	2.08			
					7	8.95	2.03	8.76	2.06	8.59	2.09	8.53	2.10	8.43	2.12	8.29	2.14	8.17	2.16			
					10	9.73	2.10	9.53	2.13	9.35	2.16	9.27	2.17	9.19	2.19	9.04	2.21	8.91	2.23			
					15	10.70	2.18	10.50	2.22	10.31	2.25	10.22	2.26	10.14	2.27	9.98	2.30	9.84	2.32			
2000	2500	5000	9500	119%	-15	4.97	1.70	4.81	1.73	4.67	1.75	4.61	1.76	4.55	1.77	4.45	1.79	4.37	1.80			
					-10	5.95	1.79	5.79	1.82	5.64	1.84	5.57	1.85	5.51	1.86	5.40	1.88	5.30	1.90			
					-5	6.94	1.88	6.76	1.91	6.61	1.93	6.53	1.94	6.47	1.95	6.35	1.97	6.24	1.99			
					0	7.92	1.97	7.74	2.00	7.57	2.02	7.50	2.03	7.43	2.05	7.30	2.07	7.18	2.09			
					2	8.32	2.00	8.13	2.03	7.96	2.06	7.88	2.07	7.81	2.08	7.68	2.10	7.56	2.12			
					7	9.11	2.07	8.91	2.10	8.74	2.13	8.68	2.14	8.58	2.16	8.44	2.18	8.31	2.20			
					10	9.90	2.14	9.70	2.17	9.52	2.20	9.43	2.21	9.35	2.23	9.20	2.25	9.07	2.27			
					15	10.89	2.23	10.68	2.26	10.49	2.29	10.40	2.30	10.31	2.32	10.16	2.34	10.02	2.37			
2000	2500	6800	11300	141%	-15	5.32	1.79	5.16	1.82	5.01	1.84	4.94	1.85	4.88	1.86	4.77	1.88	4.68	1.89			
					-10	6.38	1.88	6.20	1.91	6.04	1.94	5.97	1.95	5.90	1.96	5.78	1.98	5.68	1.99			
					-5	7.43	1.98	7.25	2.00	7.08	2.03	7.00	2.04	6.93	2.05	6.80	2.08	6.69	2.09			
					0	8.49	2.07	8.29	2.10	8.12	2.13	8.03	2.14	7.96	2.15	7.82	2.17	7.70	2.19			
					2	8.91	2.10	8.71	2.14	8.53	2.16	8.45	2.18	8.37	2.19	8.22	2.21	8.10	2.23			
					7	9.76	2.18	9.55	2.21	9.36	2.24	9.30	2.25	9.19	2.27	9.04	2.29	8.91	2.31			
					10	10.61	2.25	10.39	2.28	10.20	2.31	10.10	2.33	10.02	2.34	9.86	2.37	9.72	2.39			
					15	11.67	2.34	11.44	2.38	11.24	2.41	11.14	2.42	11.05	2.44	10.88	2.46	10.73	2.49			
2000	3500	3500	9000	113%	-15	4.92	1.70	4.77	1.73	4.63	1.75	4.57	1.76	4.51	1.77	4.41	1.79	4.33	1.80			
					-10	5.90	1.79	5.73	1.82	5.59	1.84	5.52	1.85	5.46	1.86	5.35	1.88	5.25	1.90			
					-5	6.87	1.88	6.70	1.91	6.55	1.93	6.47	1.94	6.41	1.95	6.29	1.97	6.18	1.99			
					0	7.85	1.97	7.67	2.00	7.50	2.02	7.43	2.03	7.36	2.05	7.23	2.07	7.12	2.09			
					2	8.24	2.00	8.06	2.03	7.89	2.06	7.81	2.07	7.74	2.08	7.61	2.10	7.49	2.12			
					7	9.02	2.07	8.83	2.10	8.66	2.13	8.60	2.14	8.50	2.16	8.36	2.18	8.24	2.20			
					10	9.81	2.14	9.61	2.17	9.43	2.20	9.34	2.21	9.26	2.23	9.12	2.25	8.99	2.27			
					15	10.79	2.23	10.58	2.26	10.39	2.29	10.30	2.30	10.22	2.32	10.06	2.34	9.92	2.37			

12. Capacity Table

Combination (Capacity Index)				Combination (Total)	Combination (%)	Outdoor Temperature (°C,DB)	Indoor Temperature(°C, DB)													
							14		16		18		20		21		22		24	
							TC(kW)	PI(kW)	TC(kW)	PI(kW)	TC(kW)	PI(kW)	TC(kW)	PI(kW)	TC(kW)	PI(kW)	TC(kW)	PI(kW)	TC(kW)	PI(kW)
2000	3500	5000	10500	131%	-15	5.01	1.71	4.85	1.73	4.71	1.76	4.65	1.77	4.59	1.78	4.49	1.79	4.40	1.81	
					-10	6.00	1.80	5.83	1.83	5.69	1.85	5.62	1.86	5.55	1.87	5.44	1.89	5.35	1.91	
					-5	6.99	1.89	6.82	1.92	6.66	1.94	6.59	1.95	6.52	1.96	6.40	1.98	6.29	2.00	
					0	7.99	1.98	7.80	2.01	7.64	2.03	7.56	2.04	7.49	2.06	7.35	2.08	7.24	2.10	
					2	8.39	2.01	8.20	2.04	8.03	2.07	7.95	2.08	7.87	2.09	7.74	2.11	7.62	2.13	
					7	9.18	2.08	8.99	2.11	8.81	2.14	8.75	2.15	8.65	2.17	8.51	2.19	8.38	2.21	
					10	9.98	2.15	9.78	2.18	9.59	2.21	9.51	2.23	9.42	2.24	9.27	2.26	9.14	2.28	
2000	5000	5000	12000	150%	-15	5.32	1.79	5.16	1.82	5.01	1.84	4.94	1.85	4.88	1.86	4.77	1.88	4.68	1.89	
					-10	6.38	1.88	6.20	1.91	6.04	1.94	5.97	1.95	5.90	1.96	5.78	1.98	5.68	1.99	
					-5	7.43	1.98	7.25	2.00	7.08	2.03	7.00	2.04	6.93	2.05	6.80	2.08	6.69	2.09	
					0	8.49	2.07	8.29	2.10	8.12	2.13	8.03	2.14	7.96	2.15	7.82	2.17	7.70	2.19	
					2	8.91	2.10	8.71	2.14	8.53	2.16	8.45	2.18	8.37	2.19	8.22	2.21	8.10	2.23	
					7	9.76	2.18	9.55	2.21	9.36	2.24	9.30	2.25	9.19	2.27	9.04	2.29	8.91	2.31	
					10	10.61	2.25	10.39	2.28	10.20	2.31	10.10	2.33	10.02	2.34	9.86	2.37	9.72	2.39	
2500	2500	2500	7500	94%	-15	4.88	1.66	4.72	1.69	4.59	1.71	4.53	1.72	4.47	1.73	4.37	1.74	4.28	1.76	
					-10	5.84	1.75	5.68	1.77	5.54	1.80	5.47	1.81	5.41	1.82	5.30	1.84	5.21	1.85	
					-5	6.81	1.83	6.64	1.86	6.48	1.89	6.41	1.90	6.35	1.91	6.23	1.93	6.13	1.94	
					0	7.78	1.92	7.60	1.95	7.43	1.98	7.36	1.99	7.29	2.00	7.16	2.02	7.05	2.04	
					2	8.16	1.95	7.98	1.98	7.82	2.01	7.74	2.02	7.67	2.03	7.53	2.06	7.42	2.07	
					7	8.94	2.02	8.75	2.05	8.58	2.08	8.52	2.09	8.42	2.11	8.28	2.13	8.16	2.15	
					10	9.72	2.09	9.52	2.12	9.34	2.15	9.26	2.16	9.18	2.18	9.03	2.20	8.90	2.22	
2500	2500	3500	8500	106%	-15	4.92	1.67	4.76	1.69	4.63	1.72	4.56	1.73	4.51	1.74	4.40	1.75	4.32	1.77	
					-10	5.89	1.76	5.73	1.78	5.58	1.81	5.51	1.82	5.45	1.83	5.34	1.85	5.25	1.86	
					-5	6.86	1.84	6.69	1.87	6.54	1.90	6.47	1.91	6.40	1.92	6.28	1.94	6.18	1.95	
					0	7.84	1.93	7.66	1.96	7.50	1.98	7.42	2.00	7.35	2.01	7.22	2.03	7.11	2.05	
					2	8.23	1.96	8.05	1.99	7.88	2.02	7.80	2.03	7.73	2.04	7.60	2.07	7.48	2.08	
					7	9.01	2.03	8.82	2.06	8.65	2.09	8.59	2.10	8.49	2.12	8.35	2.14	8.23	2.16	
					10	9.80	2.10	9.60	2.13	9.42	2.16	9.33	2.17	9.25	2.19	9.11	2.21	8.98	2.23	
2500	2500	5000	10000	125%	-15	5.01	1.70	4.85	1.73	4.71	1.75	4.65	1.76	4.59	1.77	4.49	1.79	4.40	1.80	
					-10	6.00	1.79	5.83	1.82	5.69	1.84	5.62	1.85	5.55	1.86	5.44	1.88	5.35	1.90	
					-5	6.99	1.88	6.82	1.91	6.66	1.93	6.59	1.94	6.52	1.95	6.40	1.97	6.29	1.99	
					0	7.99	1.97	7.80	2.00	7.64	2.02	7.56	2.03	7.49	2.05	7.35	2.07	7.24	2.09	
					2	8.39	2.00	8.20	2.03	8.03	2.06	7.95	2.07	7.87	2.08	7.74	2.10	7.62	2.12	
					7	9.18	2.07	8.99	2.10	8.81	2.13	8.75	2.14	8.65	2.16	8.51	2.18	8.38	2.20	
					10	9.98	2.14	9.78	2.17	9.59	2.20	9.51	2.21	9.42	2.23	9.27	2.25	9.14	2.27	
2500	2500	6800	11800	148%	-15	5.32	1.79	5.16	1.82	5.01	1.84	4.94	1.85	4.88	1.86	4.77	1.88	4.68	1.89	
					-10	6.38	1.88	6.20	1.91	6.04	1.94	5.97	1.95	5.90	1.96	5.78	1.98	5.68	1.99	
					-5	7.43	1.98	7.25	2.00	7.08	2.03	7.00	2.04	6.93	2.05	6.80	2.08	6.69	2.09	
					0	8.49	2.07	8.29	2.10	8.12	2.13	8.03	2.14	7.96	2.15	7.82	2.17	7.70	2.19	
					2	8.91	2.10	8.71	2.14	8.53	2.16	8.45	2.18	8.37	2.19	8.22	2.21	8.10	2.23	
					7	9.76	2.18	9.55	2.21	9.36	2.24	9.30	2.25	9.19	2.27	9.04	2.29	8.91	2.31	
					10	10.61	2.25	10.39	2.28	10.20	2.31	10.10	2.33	10.02	2.34	9.86	2.37	9.72	2.39	
15	11.67	2.34	11.44	2.38	11.24	2.41	11.14	2.42	11.05	2.44	10.88	2.46	10.73	2.49						

12. Capacity Table

Combination (Capacity Index)				Combination (Total)	Combination (%)	Outdoor Temperature (°C,DB)	Indoor Temperature(°C, DB)													
							14		16		18		20		21		22		24	
							TC(kW)	PI(kW)	TC(kW)	PI(kW)	TC(kW)	PI(kW)	TC(kW)	PI(kW)	TC(kW)	PI(kW)	TC(kW)	PI(kW)	TC(kW)	PI(kW)
2500	3500	3500	9500	119%	-15	4.96	1.70	4.80	1.73	4.66	1.75	4.60	1.76	4.54	1.77	4.44	1.79	4.36	1.80	
					-10	5.94	1.79	5.77	1.82	5.63	1.84	5.56	1.85	5.50	1.86	5.39	1.88	5.29	1.90	
					-5	6.92	1.88	6.75	1.91	6.59	1.93	6.52	1.94	6.45	1.95	6.33	1.97	6.23	1.99	
					0	7.90	1.97	7.72	2.00	7.56	2.02	7.48	2.03	7.41	2.05	7.28	2.07	7.17	2.09	
					2	8.30	2.00	8.11	2.03	7.94	2.06	7.87	2.07	7.79	2.08	7.66	2.10	7.54	2.12	
					7	9.09	2.07	8.89	2.10	8.72	2.13	8.66	2.14	8.56	2.16	8.42	2.18	8.30	2.20	
					10	9.88	2.14	9.68	2.17	9.49	2.20	9.41	2.21	9.33	2.23	9.18	2.25	9.05	2.27	
					15	10.87	2.23	10.66	2.26	10.46	2.29	10.37	2.30	10.29	2.32	10.13	2.34	9.99	2.37	
2500	3500	5000	11000	138%	-15	5.32	1.71	5.16	1.73	5.01	1.76	4.94	1.77	4.88	1.78	4.77	1.79	4.68	1.81	
					-10	6.38	1.80	6.20	1.83	6.04	1.85	5.97	1.86	5.90	1.87	5.78	1.89	5.68	1.91	
					-5	7.43	1.89	7.25	1.92	7.08	1.94	7.00	1.95	6.93	1.96	6.80	1.98	6.69	2.00	
					0	8.49	1.98	8.29	2.01	8.12	2.03	8.03	2.04	7.96	2.06	7.82	2.08	7.70	2.10	
					2	8.91	2.01	8.71	2.04	8.53	2.07	8.45	2.08	8.37	2.09	8.22	2.11	8.10	2.13	
					7	9.76	2.08	9.55	2.11	9.36	2.14	9.30	2.15	9.19	2.17	9.04	2.19	8.91	2.21	
					10	10.61	2.15	10.39	2.18	10.20	2.21	10.10	2.23	10.02	2.24	9.86	2.26	9.72	2.28	
					15	11.67	2.24	11.44	2.27	11.24	2.30	11.14	2.31	11.05	2.33	10.88	2.35	10.73	2.38	
3500	3500	3500	10500	131%	-15	5.00	1.71	4.84	1.73	4.70	1.76	4.64	1.77	4.58	1.78	4.48	1.79	4.39	1.81	
					-10	5.99	1.80	5.82	1.83	5.67	1.85	5.60	1.86	5.54	1.87	5.43	1.89	5.33	1.91	
					-5	6.98	1.89	6.80	1.92	6.64	1.94	6.57	1.95	6.50	1.96	6.38	1.98	6.28	2.00	
					0	7.97	1.98	7.78	2.01	7.62	2.03	7.54	2.04	7.47	2.06	7.34	2.08	7.22	2.10	
					2	8.37	2.01	8.18	2.04	8.01	2.07	7.93	2.08	7.86	2.09	7.72	2.11	7.60	2.13	
					7	9.16	2.08	8.97	2.11	8.79	2.14	8.73	2.15	8.63	2.17	8.49	2.19	8.36	2.21	
					10	9.96	2.15	9.76	2.18	9.57	2.21	9.48	2.23	9.40	2.24	9.25	2.26	9.12	2.28	
					15	10.95	2.24	10.74	2.27	10.55	2.30	10.46	2.31	10.37	2.33	10.21	2.35	10.07	2.38	
3500	3500	5000	12000	150%	-15	5.32	1.73	5.16	1.76	5.01	1.78	4.94	1.79	4.88	1.80	4.77	1.82	4.68	1.83	
					-10	6.38	1.82	6.20	1.85	6.04	1.88	5.97	1.89	5.90	1.90	5.78	1.92	5.68	1.93	
					-5	7.43	1.91	7.25	1.94	7.08	1.97	7.00	1.98	6.93	1.99	6.80	2.01	6.69	2.03	
					0	8.49	2.00	8.29	2.03	8.12	2.06	8.03	2.07	7.96	2.08	7.82	2.11	7.70	2.12	
					2	8.91	2.04	8.71	2.07	8.53	2.10	8.45	2.11	8.37	2.12	8.22	2.14	8.10	2.16	
					7	9.76	2.11	9.55	2.14	9.36	2.17	9.30	2.18	9.19	2.20	9.04	2.22	8.91	2.24	
					10	10.61	2.18	10.39	2.21	10.20	2.24	10.10	2.26	10.02	2.27	9.86	2.29	9.72	2.32	
					15	11.67	2.27	11.44	2.30	11.24	2.33	11.14	2.35	11.05	2.36	10.88	2.39	10.73	2.41	
2000	2000	2000	2000	8000	100%	-15	4.88	1.67	4.72	1.69	4.59	1.72	4.53	1.73	4.47	1.74	4.37	1.75	4.28	1.77
						-10	5.84	1.76	5.68	1.78	5.54	1.81	5.47	1.82	5.41	1.83	5.30	1.85	5.21	1.86
						-5	6.81	1.84	6.64	1.87	6.48	1.90	6.41	1.91	6.35	1.92	6.23	1.94	6.13	1.95
						0	7.78	1.93	7.60	1.96	7.43	1.98	7.36	2.00	7.29	2.01	7.16	2.03	7.05	2.05
						2	8.16	1.96	7.98	1.99	7.82	2.02	7.74	2.03	7.67	2.04	7.53	2.07	7.42	2.08
						7	8.94	2.03	8.75	2.06	8.58	2.09	8.52	2.10	8.42	2.12	8.28	2.14	8.16	2.16
						10	9.72	2.10	9.52	2.13	9.34	2.16	9.26	2.17	9.18	2.19	9.03	2.21	8.90	2.23
						15	10.69	2.18	10.48	2.22	10.30	2.25	10.21	2.26	10.12	2.27	9.97	2.30	9.83	2.32
2000	2000	2000	2500	8500	106%	-15	4.91	1.67	4.76	1.69	4.62	1.72	4.56	1.73	4.50	1.74	4.40	1.75	4.32	1.77
						-10	5.88	1.76	5.72	1.78	5.57	1.81	5.51	1.82	5.45	1.83	5.34	1.85	5.24	1.86
						-5	6.86	1.84	6.68	1.87	6.53	1.90	6.46	1.91	6.39	1.92	6.27	1.94	6.17	1.95
						0	7.83	1.93	7.65	1.96	7.49	1.98	7.41	2.00	7.34	2.01	7.21	2.03	7.10	2.05
						2	8.22	1.96	8.04	1.99	7.87	2.02	7.79	2.03	7.72	2.04	7.59	2.07	7.47	2.08
						7	9.00	2.03	8.81	2.06	8.64	2.09	8.58	2.10	8.48	2.12	8.34	2.14	8.22	2.16
						10	9.79	2.10	9.59	2.13	9.41	2.16	9.32	2.17	9.24	2.19	9.09	2.21	8.97	2.23
						15	10.77	2.18	10.56	2.22	10.37	2.25	10.28	2.26	10.19	2.27	10.04	2.30	9.90	2.32

12. Capacity Table

Combination (Capacity Index)				Combination (Total)	Combination (%)	Outdoor Temperature (°C,DB)	Indoor Temperature(°C, DB)													
							14		16		18		20		21		22		24	
							TC(kW)	PI(kW)	TC(kW)	PI(kW)	TC(kW)	PI(kW)	TC(kW)	PI(kW)	TC(kW)	PI(kW)	TC(kW)	PI(kW)	TC(kW)	PI(kW)
2000	2000	2000	3500	9500	119%	-15	4.95	1.70	4.80	1.73	4.66	1.75	4.60	1.76	4.54	1.77	4.44	1.79	4.35	1.80
						-10	5.93	1.79	5.77	1.82	5.62	1.84	5.55	1.85	5.49	1.86	5.38	1.88	5.28	1.90
						-5	6.91	1.88	6.74	1.91	6.58	1.93	6.51	1.94	6.44	1.95	6.32	1.97	6.22	1.99
						0	7.90	1.97	7.71	2.00	7.55	2.02	7.47	2.03	7.40	2.05	7.27	2.07	7.16	2.09
						2	8.29	2.00	8.10	2.03	7.93	2.06	7.86	2.07	7.78	2.08	7.65	2.10	7.53	2.12
						7	9.08	2.07	8.88	2.10	8.71	2.13	8.65	2.14	8.55	2.16	8.41	2.18	8.29	2.20
						10	9.87	2.14	9.67	2.17	9.48	2.20	9.40	2.21	9.32	2.23	9.17	2.25	9.04	2.27
						15	10.85	2.23	10.64	2.26	10.45	2.29	10.36	2.30	10.28	2.32	10.12	2.34	9.98	2.37
2000	2000	2000	5000	11000	138%	-15	5.32	1.75	5.16	1.77	5.01	1.80	4.94	1.81	4.88	1.82	4.77	1.84	4.68	1.85
						-10	6.38	1.84	6.20	1.87	6.04	1.89	5.97	1.90	5.90	1.91	5.78	1.93	5.68	1.95
						-5	7.43	1.93	7.25	1.96	7.08	1.99	7.00	2.00	6.93	2.01	6.80	2.03	6.69	2.05
						0	8.49	2.02	8.29	2.05	8.12	2.08	8.03	2.09	7.96	2.10	7.82	2.13	7.70	2.14
						2	8.91	2.06	8.71	2.09	8.53	2.12	8.45	2.13	8.37	2.14	8.22	2.16	8.10	2.18
						7	9.76	2.13	9.55	2.16	9.36	2.19	9.30	2.20	9.19	2.22	9.04	2.24	8.91	2.26
						10	10.61	2.20	10.39	2.23	10.20	2.26	10.10	2.28	10.02	2.29	9.86	2.31	9.72	2.34
						15	11.67	2.29	11.44	2.32	11.24	2.35	11.14	2.37	11.05	2.38	10.88	2.41	10.73	2.43
2000	2000	2500	2500	9000	113%	-15	4.95	1.70	4.79	1.73	4.65	1.75	4.59	1.76	4.53	1.77	4.43	1.79	4.35	1.80
						-10	5.92	1.79	5.76	1.82	5.61	1.84	5.55	1.85	5.48	1.86	5.37	1.88	5.28	1.90
						-5	6.90	1.88	6.73	1.91	6.58	1.93	6.50	1.94	6.44	1.95	6.32	1.97	6.21	1.99
						0	7.89	1.97	7.70	2.00	7.54	2.02	7.46	2.03	7.39	2.05	7.26	2.07	7.15	2.09
						2	8.28	2.00	8.09	2.03	7.93	2.06	7.85	2.07	7.77	2.08	7.64	2.10	7.53	2.12
						7	9.07	2.07	8.87	2.10	8.70	2.13	8.64	2.14	8.54	2.16	8.40	2.18	8.28	2.20
						10	9.85	2.14	9.65	2.17	9.47	2.20	9.39	2.21	9.31	2.23	9.16	2.25	9.03	2.27
						15	10.84	2.23	10.63	2.26	10.44	2.29	10.35	2.30	10.27	2.32	10.11	2.34	9.97	2.37
2000	2000	2500	3500	10000	125%	-15	4.99	1.70	4.83	1.73	4.69	1.75	4.63	1.76	4.57	1.77	4.47	1.79	4.38	1.80
						-10	5.97	1.79	5.81	1.82	5.66	1.84	5.59	1.85	5.53	1.86	5.42	1.88	5.32	1.90
						-5	6.96	1.88	6.79	1.91	6.63	1.93	6.56	1.94	6.49	1.95	6.37	1.97	6.26	1.99
						0	7.95	1.97	7.77	2.00	7.60	2.02	7.52	2.03	7.45	2.05	7.32	2.07	7.21	2.09
						2	8.35	2.00	8.16	2.03	7.99	2.06	7.91	2.07	7.84	2.08	7.70	2.10	7.59	2.12
						7	9.14	2.07	8.95	2.10	8.77	2.13	8.71	2.14	8.61	2.16	8.47	2.18	8.34	2.20
						10	9.93	2.14	9.73	2.17	9.55	2.20	9.46	2.21	9.38	2.23	9.23	2.25	9.10	2.27
						15	10.93	2.23	10.72	2.26	10.52	2.29	10.43	2.30	10.35	2.32	10.19	2.34	10.05	2.37
2000	2000	2500	5000	11500	144%	-15	5.32	1.75	5.16	1.77	5.01	1.80	4.94	1.81	4.88	1.82	4.77	1.84	4.68	1.85
						-10	6.38	1.84	6.20	1.87	6.04	1.89	5.97	1.90	5.90	1.91	5.78	1.93	5.68	1.95
						-5	7.43	1.93	7.25	1.96	7.08	1.99	7.00	2.00	6.93	2.01	6.80	2.03	6.69	2.05
						0	8.49	2.02	8.29	2.05	8.12	2.08	8.03	2.09	7.96	2.10	7.82	2.13	7.70	2.14
						2	8.91	2.06	8.71	2.09	8.53	2.12	8.45	2.13	8.37	2.14	8.22	2.16	8.10	2.18
						7	9.76	2.13	9.55	2.16	9.36	2.19	9.30	2.20	9.19	2.22	9.04	2.24	8.91	2.26
						10	10.61	2.20	10.39	2.23	10.20	2.26	10.10	2.28	10.02	2.29	9.86	2.31	9.72	2.34
						15	11.67	2.29	11.44	2.32	11.24	2.35	11.14	2.37	11.05	2.38	10.88	2.41	10.73	2.43
2000	2000	3500	3500	11000	138%	-15	5.03	1.73	4.87	1.76	4.73	1.78	4.67	1.79	4.61	1.80	4.50	1.82	4.42	1.83
						-10	6.02	1.82	5.85	1.85	5.70	1.88	5.64	1.89	5.57	1.90	5.46	1.92	5.36	1.93
						-5	7.02	1.91	6.84	1.94	6.68	1.97	6.61	1.98	6.54	1.99	6.42	2.01	6.31	2.03
						0	8.01	2.00	7.83	2.03	7.66	2.06	7.58	2.07	7.51	2.08	7.38	2.11	7.27	2.12
						2	8.41	2.04	8.22	2.07	8.05	2.10	7.97	2.11	7.90	2.12	7.76	2.14	7.65	2.16
						7	9.21	2.11	9.02	2.14	8.84	2.17	8.78	2.18	8.68	2.20	8.54	2.22	8.41	2.24
						10	10.01	2.18	9.81	2.21	9.63	2.24	9.54	2.26	9.46	2.27	9.31	2.29	9.17	2.32
						15	11.02	2.27	10.80	2.30	10.61	2.33	10.52	2.35	10.43	2.36	10.27	2.39	10.13	2.41

12. Capacity Table

Combination (Capacity Index)				Combination (Total)	Combination (%)	Outdoor Temperature (°C,DB)	Indoor Temperature(°C, DB)													
							14		16		18		20		21		22		24	
							TC(kW)	PI(kW)	TC(kW)	PI(kW)	TC(kW)	PI(kW)	TC(kW)	PI(kW)	TC(kW)	PI(kW)	TC(kW)	PI(kW)	TC(kW)	PI(kW)
2000	2500	2500	2500	9500	119%	-15	4.97	1.70	4.82	1.73	4.68	1.75	4.62	1.76	4.56	1.77	4.46	1.79	4.37	1.80
						-10	5.96	1.79	5.79	1.82	5.65	1.84	5.58	1.85	5.52	1.86	5.40	1.88	5.31	1.90
						-5	6.94	1.88	6.77	1.91	6.61	1.93	6.54	1.94	6.47	1.95	6.35	1.97	6.25	1.99
						0	7.93	1.97	7.75	2.00	7.58	2.02	7.51	2.03	7.43	2.05	7.30	2.07	7.19	2.09
						2	8.33	2.00	8.14	2.03	7.97	2.06	7.89	2.07	7.82	2.08	7.69	2.10	7.57	2.12
						7	9.12	2.07	8.92	2.10	8.75	2.13	8.69	2.14	8.59	2.16	8.45	2.18	8.32	2.20
						10	9.91	2.14	9.71	2.17	9.53	2.20	9.44	2.21	9.36	2.23	9.21	2.25	9.08	2.27
						15	10.90	2.23	10.69	2.26	10.50	2.29	10.41	2.30	10.33	2.32	10.17	2.34	10.03	2.37
2000	2500	2500	3500	10500	131%	-15	5.02	1.73	4.86	1.76	4.72	1.78	4.65	1.79	4.60	1.80	4.49	1.82	4.41	1.83
						-10	6.01	1.82	5.84	1.85	5.69	1.88	5.62	1.89	5.56	1.90	5.45	1.92	5.35	1.93
						-5	7.00	1.91	6.83	1.94	6.67	1.97	6.59	1.98	6.53	1.99	6.40	2.01	6.30	2.03
						0	8.00	2.00	7.81	2.03	7.64	2.06	7.57	2.07	7.49	2.08	7.36	2.11	7.25	2.12
						2	8.39	2.04	8.21	2.07	8.04	2.10	7.96	2.11	7.88	2.12	7.75	2.14	7.63	2.16
						7	9.19	2.11	9.00	2.14	8.82	2.17	8.76	2.18	8.66	2.20	8.52	2.22	8.39	2.24
						10	9.99	2.18	9.79	2.21	9.60	2.24	9.52	2.26	9.44	2.27	9.29	2.29	9.15	2.32
						15	10.99	2.27	10.78	2.30	10.59	2.33	10.49	2.35	10.41	2.36	10.25	2.39	10.11	2.41
2000	2500	2500	5000	12000	150%	-15	5.32	1.79	5.16	1.82	5.01	1.84	4.94	1.85	4.88	1.86	4.77	1.88	4.68	1.89
						-10	6.38	1.88	6.20	1.91	6.04	1.94	5.97	1.95	5.90	1.96	5.78	1.98	5.68	1.99
						-5	7.43	1.98	7.25	2.00	7.08	2.03	7.00	2.04	6.93	2.05	6.80	2.08	6.69	2.09
						0	8.49	2.07	8.29	2.10	8.12	2.13	8.03	2.14	7.96	2.15	7.82	2.17	7.70	2.19
						2	8.91	2.10	8.71	2.14	8.53	2.16	8.45	2.18	8.37	2.19	8.22	2.21	8.10	2.23
						7	9.76	2.18	9.55	2.21	9.36	2.24	9.30	2.25	9.19	2.27	9.04	2.29	8.91	2.31
						10	10.61	2.25	10.39	2.28	10.20	2.31	10.10	2.33	10.02	2.34	9.86	2.37	9.72	2.39
						15	11.67	2.34	11.44	2.38	11.24	2.41	11.14	2.42	11.05	2.44	10.88	2.46	10.73	2.49
2000	2500	3500	3500	11500	144%	-15	5.32	1.75	5.16	1.77	5.01	1.80	4.94	1.81	4.88	1.82	4.77	1.84	4.68	1.85
						-10	6.38	1.84	6.20	1.87	6.04	1.89	5.97	1.90	5.90	1.91	5.78	1.93	5.68	1.95
						-5	7.43	1.93	7.25	1.96	7.08	1.99	7.00	2.00	6.93	2.01	6.80	2.03	6.69	2.05
						0	8.49	2.02	8.29	2.05	8.12	2.08	8.03	2.09	7.96	2.10	7.82	2.13	7.70	2.14
						2	8.91	2.06	8.71	2.09	8.53	2.12	8.45	2.13	8.37	2.14	8.22	2.16	8.10	2.18
						7	9.76	2.13	9.55	2.16	9.36	2.19	9.30	2.20	9.19	2.22	9.04	2.24	8.91	2.26
						10	10.61	2.20	10.39	2.23	10.20	2.26	10.10	2.28	10.02	2.29	9.86	2.31	9.72	2.34
						15	11.67	2.29	11.44	2.32	11.24	2.35	11.14	2.37	11.05	2.38	10.88	2.41	10.73	2.43
2500	2500	2500	2500	10000	125%	-15	5.02	1.70	4.86	1.73	4.72	1.75	4.65	1.76	4.60	1.77	4.49	1.79	4.41	1.80
						-10	6.01	1.79	5.84	1.82	5.69	1.84	5.62	1.85	5.56	1.86	5.45	1.88	5.35	1.90
						-5	7.00	1.88	6.83	1.91	6.67	1.93	6.59	1.94	6.53	1.95	6.40	1.97	6.30	1.99
						0	8.00	1.97	7.81	2.00	7.64	2.02	7.57	2.03	7.49	2.05	7.36	2.07	7.25	2.09
						2	8.39	2.00	8.21	2.03	8.04	2.06	7.96	2.07	7.88	2.08	7.75	2.10	7.63	2.12
						7	9.19	2.07	9.00	2.10	8.82	2.13	8.76	2.14	8.66	2.16	8.52	2.18	8.39	2.20
						10	9.99	2.14	9.79	2.17	9.60	2.20	9.52	2.21	9.44	2.23	9.29	2.25	9.15	2.27
						15	10.99	2.23	10.78	2.26	10.59	2.29	10.49	2.30	10.41	2.32	10.25	2.34	10.11	2.37
2500	2500	2500	3500	11000	138%	-15	5.32	1.73	5.16	1.76	5.01	1.78	4.94	1.79	4.88	1.80	4.77	1.82	4.68	1.83
						-10	6.38	1.82	6.20	1.85	6.04	1.88	5.97	1.89	5.90	1.90	5.78	1.92	5.68	1.93
						-5	7.43	1.91	7.25	1.94	7.08	1.97	7.00	1.98	6.93	1.99	6.80	2.01	6.69	2.03
						0	8.49	2.00	8.29	2.03	8.12	2.06	8.03	2.07	7.96	2.08	7.82	2.11	7.70	2.12
						2	8.91	2.04	8.71	2.07	8.53	2.10	8.45	2.11	8.37	2.12	8.22	2.14	8.10	2.16
						7	9.76	2.11	9.55	2.14	9.36	2.17	9.30	2.18	9.19	2.20	9.04	2.22	8.91	2.24
						10	10.61	2.18	10.39	2.21	10.20	2.24	10.10	2.26	10.02	2.27	9.86	2.29	9.72	2.32
						15	11.67	2.27	11.44	2.30	11.24	2.33	11.14	2.35	11.05	2.36	10.88	2.39	10.73	2.41

12. Capacity Table

Combination (Capacity Index)				Combination (Total)	Combination (%)	Outdoor Temperature (°C,DB)	Indoor Temperature(°C, DB)															
							14		16		18		20		21		22		24			
							TC(kW)	PI(kW)	TC(kW)	PI(kW)	TC(kW)	PI(kW)	TC(kW)	PI(kW)	TC(kW)	PI(kW)	TC(kW)	PI(kW)	TC(kW)	PI(kW)		
2500	2500	3500	3500	12000	150%	-15	5.32	1.69	5.16	1.72	5.01	1.74	4.88	1.76	4.82	1.77	4.77	1.78	4.68	1.79		
						-10	6.38	1.78	6.20	1.81	6.04	1.83	5.90	1.85	5.84	1.86	5.78	1.87	5.68	1.89		
						-5	7.43	1.87	7.25	1.90	7.08	1.92	6.93	1.95	6.86	1.96	6.80	1.97	6.69	1.98		
						0	8.49	1.96	8.29	1.99	8.12	2.01	7.96	2.04	7.88	2.05	7.82	2.06	7.70	2.08		
						2	8.91	1.99	8.71	2.02	8.53	2.05	8.37	2.07	8.29	2.08	8.22	2.09	8.10	2.11		
						7	9.97	2.08	9.76	2.11	9.57	2.14	9.30	2.13	9.32	2.18	9.24	2.19	9.11	2.21		
						10	10.61	2.13	10.39	2.16	10.20	2.19	10.02	2.22	9.94	2.23	9.86	2.24	9.72	2.26		
						15	11.67	2.22	11.44	2.25	11.24	2.28	11.05	2.31	10.96	2.32	10.88	2.33	10.73	2.35		

NOTE

- Cooling capacity is based on 27°CDB / 19°CWB (indoor temperature), 35°CDB (outdoor temperature).
- Heating capacity is based on 20°CDB (indoor temperature), 7°CDB/6°CWB (outdoor temperature).
- The above is the value for connecting with the following indoor units.
 - 2000, 2500, 3500, 5000, 6800W class: Wall Mounted [only for AR**FSSEDWUN, AR**FSFPESNN, AR**FSFPDGMN]
- Capacities are based on the following conditions:
 - Corresponding refrigerant piping length : 5m / - Level difference : 0m
- The total ability of connected a indoor unit is up to 12kW
- It is impossible to connect the indoor unit for one room only.
- This data is reference data for temperature capacity trend.

12. Capacity Table

12-6. AJ100RCJ5EG/EU

Cooling

Combination (Capacity Index)				Combination (Total)	Combination (%)	Outdoor Temperature (°C, DB)	Indoor Temperature(°C, WB)													
							14		16		18		19		20		22		24	
							TC(kW)	PI(kW)	TC(kW)	PI(kW)	TC(kW)	PI(kW)	TC(kW)	PI(kW)	TC(kW)	PI(kW)	TC(kW)	PI(kW)	TC(kW)	PI(kW)
2000				2000	20%	10	1.60	0.41	2.32	0.45	2.42	0.49	2.46	0.51	2.51	0.52	2.61	0.55	2.71	0.57
						12	1.60	0.42	2.28	0.47	2.38	0.51	2.43	0.52	2.48	0.54	2.57	0.56	2.67	0.58
						14	1.60	0.44	2.24	0.48	2.34	0.52	2.39	0.54	2.44	0.55	2.53	0.57	2.63	0.59
						16	1.60	0.46	2.21	0.50	2.30	0.54	2.35	0.55	2.40	0.56	2.50	0.59	2.59	0.60
						18	1.60	0.48	2.17	0.52	2.27	0.55	2.31	0.57	2.36	0.58	2.46	0.60	2.55	0.61
						20	1.60	0.50	2.13	0.54	2.23	0.57	2.28	0.58	2.32	0.59	2.42	0.61	2.52	0.62
						21	1.60	0.51	2.12	0.55	2.21	0.58	2.26	0.59	2.30	0.60	2.40	0.62	2.50	0.63
						23	1.60	0.53	2.08	0.57	2.17	0.59	2.22	0.61	2.27	0.62	2.36	0.63	2.46	0.64
						25	1.60	0.55	2.04	0.58	2.14	0.61	2.18	0.62	2.23	0.63	2.32	0.65	2.42	0.65
						27	1.60	0.57	2.01	0.60	2.10	0.63	2.15	0.64	2.19	0.65	2.29	0.66	2.38	0.67
						29	1.60	0.59	1.97	0.62	2.06	0.65	2.11	0.66	2.16	0.66	2.25	0.68	2.34	0.68
						31	1.60	0.61	1.94	0.64	2.03	0.66	2.07	0.67	2.12	0.68	2.21	0.69	2.30	0.69
						33	1.60	0.63	1.90	0.66	1.99	0.68	2.04	0.69	2.08	0.70	2.17	0.71	2.27	0.71
						35	1.60	0.65	1.86	0.68	1.95	0.70	2.00	0.70	2.04	0.72	2.14	0.72	2.23	0.72
						37	1.60	0.68	1.83	0.70	1.92	0.72	1.96	0.73	2.01	0.73	2.10	0.74	2.19	0.74
						39	1.60	0.70	1.79	0.72	1.88	0.74	1.93	0.75	1.97	0.75	2.06	0.75	2.15	0.75
						42	1.58	0.73	1.74	0.75	1.83	0.77	1.87	0.77	1.92	0.78	2.01	0.78	2.10	0.77
44	1.50	0.76	1.71	0.78	1.79	0.79	1.84	0.79	1.88	0.80	1.97	0.80	2.06	0.79						
46	1.46	0.78	1.67	0.80	1.76	0.81	1.80	0.81	1.84	0.81	1.93	0.81	2.02	0.81						
2500				2500	25%	10	2.00	0.46	2.90	0.52	3.02	0.56	3.08	0.58	3.14	0.60	3.26	0.63	3.39	0.65
						12	2.00	0.48	2.85	0.53	2.97	0.58	3.03	0.60	3.09	0.61	3.22	0.64	3.34	0.66
						14	2.00	0.51	2.80	0.55	2.93	0.60	2.99	0.61	3.05	0.63	3.17	0.65	3.29	0.67
						16	2.00	0.53	2.76	0.57	2.88	0.61	2.94	0.63	3.00	0.65	3.12	0.67	3.24	0.69
						18	2.00	0.55	2.71	0.59	2.83	0.63	2.89	0.65	2.95	0.66	3.07	0.68	3.19	0.70
						20	2.00	0.57	2.67	0.61	2.79	0.65	2.85	0.67	2.90	0.68	3.02	0.70	3.14	0.71
						21	2.00	0.58	2.64	0.62	2.76	0.66	2.82	0.67	2.88	0.69	3.00	0.71	3.12	0.72
						23	2.00	0.61	2.60	0.65	2.72	0.68	2.78	0.69	2.83	0.71	2.95	0.72	3.07	0.73
						25	2.00	0.63	2.55	0.67	2.67	0.70	2.73	0.71	2.79	0.72	2.91	0.74	3.02	0.75
						27	2.00	0.65	2.51	0.69	2.62	0.72	2.68	0.73	2.74	0.74	2.86	0.76	2.98	0.76
						29	2.00	0.68	2.46	0.71	2.58	0.74	2.64	0.75	2.69	0.76	2.81	0.77	2.93	0.78
						31	2.00	0.70	2.42	0.73	2.53	0.76	2.59	0.77	2.65	0.78	2.76	0.79	2.88	0.79
						33	2.00	0.72	2.37	0.76	2.49	0.78	2.54	0.79	2.60	0.80	2.72	0.81	2.83	0.81
						35	2.00	0.75	2.33	0.78	2.44	0.80	2.50	0.80	2.56	0.82	2.67	0.83	2.78	0.83
						37	2.00	0.77	2.29	0.80	2.40	0.82	2.45	0.83	2.51	0.84	2.62	0.84	2.74	0.84
						39	2.00	0.80	2.24	0.83	2.35	0.85	2.41	0.85	2.46	0.86	2.58	0.86	2.69	0.86
						42	1.98	0.84	2.18	0.86	2.29	0.88	2.34	0.88	2.40	0.89	2.51	0.89	2.62	0.88
44	1.88	0.86	2.13	0.89	2.24	0.90	2.30	0.91	2.35	0.91	2.46	0.91	2.57	0.90						
46	1.83	0.89	2.09	0.91	2.20	0.93	2.25	0.93	2.30	0.93	2.41	0.93	2.53	0.92						

12. Capacity Table

Combination (Capacity Index)				Combination (Total)	Combination (%)	Outdoor Temperature (°C, DB)	Indoor Temperature(°C, WB)													
							14		16		18		19		20		22		24	
							TC(kW)	PI(kW)	TC(kW)	PI(kW)	TC(kW)	PI(kW)	TC(kW)	PI(kW)	TC(kW)	PI(kW)	TC(kW)	PI(kW)	TC(kW)	PI(kW)
3500				3500	35%	10	2.80	0.62	4.06	0.69	4.23	0.75	4.31	0.77	4.40	0.80	4.57	0.84	4.74	0.87
						12	2.80	0.65	3.99	0.71	4.16	0.77	4.25	0.80	4.33	0.82	4.50	0.86	4.68	0.88
						14	2.80	0.68	3.93	0.74	4.10	0.80	4.18	0.82	4.26	0.84	4.44	0.88	4.61	0.90
						16	2.80	0.70	3.86	0.77	4.03	0.82	4.11	0.84	4.20	0.86	4.37	0.90	4.54	0.92
						18	2.80	0.73	3.80	0.79	3.96	0.84	4.05	0.87	4.13	0.89	4.30	0.92	4.47	0.94
						20	2.80	0.76	3.73	0.82	3.90	0.87	3.98	0.89	4.07	0.91	4.23	0.94	4.40	0.95
						21	2.80	0.78	3.70	0.84	3.87	0.88	3.95	0.90	4.03	0.92	4.20	0.95	4.37	0.96
						23	2.80	0.81	3.64	0.86	3.80	0.91	3.89	0.93	3.97	0.94	4.13	0.97	4.30	0.98
						25	2.80	0.84	3.58	0.89	3.74	0.93	3.82	0.95	3.90	0.97	4.07	0.99	4.23	1.00
						27	2.80	0.87	3.51	0.92	3.67	0.96	3.76	0.98	3.84	0.99	4.00	1.01	4.17	1.02
						29	2.80	0.90	3.45	0.95	3.61	0.99	3.69	1.00	3.77	1.02	3.93	1.03	4.10	1.04
						31	2.80	0.94	3.39	0.98	3.55	1.02	3.63	1.03	3.71	1.04	3.87	1.06	4.03	1.06
						33	2.80	0.97	3.32	1.01	3.48	1.04	3.56	1.06	3.64	1.07	3.80	1.08	3.97	1.08
						35	2.80	1.00	3.26	1.04	3.42	1.07	3.50	1.07	3.58	1.09	3.74	1.10	3.90	1.10
						37	2.80	1.03	3.20	1.07	3.36	1.10	3.43	1.11	3.51	1.12	3.67	1.13	3.83	1.13
						39	2.80	1.07	3.14	1.11	3.29	1.13	3.37	1.14	3.45	1.15	3.61	1.15	3.77	1.15
						42	2.77	1.12	3.05	1.15	3.20	1.18	3.28	1.18	3.35	1.19	3.51	1.19	3.67	1.18
44	2.63	1.16	2.98	1.19	3.14	1.21	3.21	1.21	3.29	1.22	3.45	1.22	3.60	1.21						
46	2.56	1.19	2.92	1.22	3.07	1.24	3.15	1.24	3.23	1.25	3.38	1.24	3.54	1.23						
5000				5000	50%	10	4.00	0.87	5.79	0.97	6.04	1.05	6.16	1.09	6.28	1.12	6.53	1.17	6.78	1.21
						12	4.00	0.91	5.70	1.00	5.94	1.08	6.07	1.12	6.19	1.15	6.43	1.20	6.68	1.24
						14	4.00	0.95	5.61	1.04	5.85	1.12	5.97	1.15	6.09	1.18	6.34	1.23	6.58	1.26
						16	4.00	0.99	5.52	1.08	5.76	1.15	5.88	1.18	6.00	1.21	6.24	1.25	6.48	1.29
						18	4.00	1.03	5.43	1.11	5.66	1.18	5.78	1.21	5.90	1.24	6.14	1.28	6.39	1.31
						20	4.00	1.07	5.34	1.15	5.57	1.22	5.69	1.25	5.81	1.27	6.05	1.31	6.29	1.34
						21	4.00	1.09	5.29	1.17	5.53	1.24	5.64	1.27	5.76	1.29	6.00	1.33	6.24	1.35
						23	4.00	1.13	5.20	1.21	5.43	1.27	5.55	1.30	5.67	1.32	5.91	1.36	6.14	1.38
						25	4.00	1.18	5.11	1.25	5.34	1.31	5.46	1.33	5.57	1.36	5.81	1.39	6.05	1.40
						27	4.00	1.22	5.02	1.29	5.25	1.35	5.37	1.37	5.48	1.39	5.72	1.42	5.95	1.43
						29	4.00	1.27	4.93	1.33	5.16	1.39	5.27	1.41	5.39	1.42	5.62	1.45	5.86	1.46
						31	4.00	1.31	4.84	1.38	5.07	1.42	5.18	1.44	5.30	1.46	5.53	1.48	5.76	1.49
						33	4.00	1.36	4.75	1.42	4.98	1.46	5.09	1.48	5.20	1.50	5.43	1.51	5.66	1.52
						35	4.00	1.40	4.66	1.46	4.89	1.50	5.00	1.50	5.11	1.53	5.34	1.55	5.57	1.55
						37	4.00	1.45	4.57	1.50	4.79	1.54	4.91	1.56	5.02	1.57	5.25	1.58	5.47	1.58
						39	4.00	1.50	4.48	1.55	4.70	1.59	4.82	1.60	4.93	1.61	5.15	1.62	5.38	1.61
						42	3.95	1.57	4.35	1.62	4.57	1.65	4.68	1.66	4.79	1.67	5.01	1.67	5.24	1.66
44	3.75	1.62	4.26	1.66	4.48	1.69	4.59	1.70	4.70	1.71	4.92	1.71	5.14	1.69						
46	3.65	1.67	4.18	1.71	4.39	1.73	4.50	1.74	4.61	1.75	4.83	1.74	5.05	1.73						

12. Capacity Table

Combination (Capacity Index)				Combination (Total)	Combination (%)	Outdoor Temperature (°C, DB)	Indoor Temperature(°C, WB)													
							14		16		18		19		20		22		24	
							TC(kW)	PI(kW)	TC(kW)	PI(kW)	TC(kW)	PI(kW)	TC(kW)	PI(kW)	TC(kW)	PI(kW)	TC(kW)	PI(kW)	TC(kW)	PI(kW)
6800				6800	68%	10	5.44	1.26	7.88	1.40	8.21	1.53	8.38	1.58	8.54	1.63	8.88	1.71	9.22	1.77
						12	5.44	1.32	7.75	1.46	8.08	1.57	8.25	1.62	8.42	1.67	8.75	1.74	9.08	1.80
						14	5.44	1.38	7.63	1.51	7.96	1.62	8.12	1.67	8.29	1.71	8.62	1.78	8.95	1.83
						16	5.44	1.44	7.50	1.56	7.83	1.67	7.99	1.72	8.16	1.76	8.49	1.82	8.82	1.87
						18	5.44	1.50	7.38	1.62	7.70	1.72	7.87	1.77	8.03	1.80	8.36	1.86	8.69	1.91
						20	5.44	1.56	7.26	1.67	7.58	1.77	7.74	1.81	7.90	1.85	8.23	1.91	8.55	1.94
						21	5.44	1.59	7.19	1.70	7.51	1.80	7.68	1.84	7.84	1.87	8.16	1.93	8.49	1.96
						23	5.44	1.65	7.07	1.76	7.39	1.85	7.55	1.89	7.71	1.92	8.03	1.97	8.36	2.00
						25	5.44	1.71	6.95	1.82	7.26	1.90	7.42	1.94	7.58	1.97	7.90	2.01	8.22	2.04
						27	5.44	1.78	6.83	1.88	7.14	1.96	7.30	1.99	7.46	2.02	7.77	2.06	8.09	2.08
						29	5.44	1.84	6.70	1.94	7.01	2.01	7.17	2.05	7.33	2.07	7.64	2.11	7.96	2.12
						31	5.44	1.91	6.58	2.00	6.89	2.07	7.05	2.10	7.20	2.12	7.52	2.15	7.83	2.16
						33	5.44	1.97	6.46	2.06	6.77	2.13	6.92	2.15	7.08	2.17	7.39	2.20	7.70	2.21
						35	5.44	2.04	6.34	2.12	6.64	2.19	6.80	2.18	6.95	2.23	7.26	2.25	7.57	2.25
						37	5.44	2.11	6.22	2.19	6.52	2.24	6.67	2.27	6.83	2.28	7.13	2.30	7.45	2.29
						39	5.44	2.18	6.10	2.25	6.40	2.30	6.55	2.32	6.70	2.34	7.01	2.35	7.32	2.34
42	5.37	2.28	5.92	2.35	6.22	2.40	6.37	2.41	6.52	2.42	6.82	2.43	7.12	2.41						
44	5.10	2.35	5.80	2.42	6.09	2.46	6.24	2.47	6.39	2.48	6.69	2.48	7.00	2.46						
46	4.96	2.43	5.68	2.48	5.97	2.52	6.12	2.53	6.27	2.54	6.57	2.53	6.87	2.51						
2000	2000			4000	40%	10	3.53	0.89	4.99	0.91	5.08	0.93	5.14	0.94	5.20	0.95	5.35	0.97	5.52	0.99
						12	3.53	0.91	4.85	0.93	4.95	0.95	5.01	0.96	5.08	0.97	5.23	0.99	5.41	1.01
						14	3.53	0.93	4.72	0.95	4.83	0.97	4.89	0.98	4.96	0.99	5.12	1.01	5.31	1.03
						16	3.53	0.95	4.60	0.98	4.71	1.00	4.78	1.01	4.85	1.02	5.02	1.04	5.21	1.06
						18	3.53	0.98	4.48	1.00	4.60	1.02	4.67	1.03	4.75	1.04	4.92	1.06	5.12	1.08
						20	3.53	1.00	4.36	1.02	4.49	1.05	4.57	1.06	4.65	1.07	4.83	1.09	5.03	1.11
						21	3.53	1.02	4.31	1.04	4.44	1.06	4.52	1.07	4.60	1.08	4.78	1.10	4.99	1.12
						23	3.53	1.04	4.20	1.06	4.34	1.08	4.42	1.09	4.51	1.10	4.70	1.12	4.91	1.14
						25	3.53	1.07	4.10	1.09	4.25	1.11	4.33	1.12	4.42	1.13	4.62	1.15	4.84	1.17
						27	3.53	1.10	4.01	1.12	4.16	1.14	4.25	1.15	4.34	1.16	4.55	1.18	4.78	1.20
						29	3.53	1.12	3.92	1.14	4.08	1.17	4.17	1.18	4.27	1.19	4.48	1.21	4.72	1.22
						31	3.53	1.15	3.84	1.17	4.01	1.19	4.10	1.20	4.20	1.21	4.42	1.23	4.66	1.25
						33	3.53	1.18	3.76	1.20	3.94	1.22	4.03	1.23	4.13	1.24	4.36	1.26	4.61	1.28
						35	3.53	1.21	3.69	1.23	3.87	1.25	4.00	1.26	4.08	1.27	4.31	1.29	4.57	1.31
						37	3.53	1.24	3.62	1.26	3.81	1.28	3.91	1.29	4.02	1.30	4.26	1.32	4.53	1.34
						39	3.53	1.27	3.56	1.29	3.76	1.31	3.86	1.32	3.98	1.33	4.22	1.35	4.49	1.37
42	3.53	1.32	3.48	1.34	3.69	1.36	3.80	1.37	3.92	1.38	4.17	1.40	4.46	1.42						
44	3.53	1.35	3.44	1.38	3.65	1.40	3.76	1.41	3.89	1.41	4.15	1.43	4.44	1.45						
46	3.53	1.39	3.39	1.41	3.61	1.43	3.73	1.44	3.86	1.45	4.13	1.47	4.42	1.48						

12. Capacity Table

Combination (Capacity Index)				Combination (Total)	Combination (%)	Outdoor Temperature (°C,DB)	Indoor Temperature(°C, WB)													
							14		16		18		19		20		22		24	
							TC(kW)	PI(kW)	TC(kW)	PI(kW)	TC(kW)	PI(kW)	TC(kW)	PI(kW)	TC(kW)	PI(kW)	TC(kW)	PI(kW)	TC(kW)	PI(kW)
2000	2500			4500	45%	10	3.98	0.98	5.61	1.01	5.72	1.03	5.78	1.04	5.85	1.06	6.01	1.08	6.21	1.10
						12	3.98	1.01	5.46	1.03	5.57	1.06	5.64	1.07	5.71	1.08	5.89	1.10	6.09	1.12
						14	3.98	1.03	5.31	1.06	5.43	1.08	5.50	1.09	5.58	1.11	5.76	1.13	5.97	1.15
						16	3.98	1.06	5.17	1.08	5.30	1.11	5.38	1.12	5.46	1.13	5.65	1.15	5.86	1.17
						18	3.98	1.09	5.04	1.11	5.17	1.13	5.25	1.15	5.34	1.16	5.53	1.18	5.76	1.20
						20	3.98	1.11	4.91	1.14	5.05	1.16	5.14	1.17	5.23	1.19	5.43	1.21	5.66	1.23
						21	3.98	1.13	4.85	1.15	5.00	1.18	5.08	1.19	5.17	1.20	5.38	1.22	5.62	1.24
						23	3.98	1.16	4.73	1.18	4.89	1.21	4.98	1.22	5.07	1.23	5.29	1.25	5.53	1.27
						25	3.98	1.19	4.62	1.21	4.78	1.23	4.87	1.25	4.98	1.26	5.20	1.28	5.45	1.30
						27	3.98	1.22	4.51	1.24	4.68	1.26	4.78	1.28	4.88	1.29	5.11	1.31	5.37	1.33
						29	3.98	1.25	4.41	1.27	4.59	1.30	4.69	1.31	4.80	1.32	5.04	1.34	5.30	1.36
						31	3.98	1.28	4.32	1.30	4.51	1.33	4.61	1.34	4.72	1.35	4.97	1.37	5.24	1.39
						33	3.98	1.31	4.23	1.34	4.43	1.36	4.54	1.37	4.65	1.38	4.90	1.40	5.19	1.42
						35	3.98	1.35	4.15	1.37	4.35	1.39	4.50	1.40	4.59	1.41	4.85	1.44	5.14	1.46
						37	3.98	1.38	4.08	1.40	4.29	1.43	4.40	1.44	4.53	1.45	4.80	1.47	5.09	1.49
						39	3.98	1.41	4.01	1.44	4.23	1.46	4.35	1.47	4.48	1.48	4.75	1.50	5.06	1.52
42	3.98	1.47	3.92	1.49	4.15	1.51	4.27	1.52	4.41	1.54	4.70	1.56	5.01	1.58						
44	3.98	1.50	3.87	1.53	4.10	1.55	4.23	1.56	4.37	1.57	4.67	1.59	4.99	1.61						
46	3.98	1.54	3.82	1.57	4.07	1.59	4.20	1.60	4.34	1.61	4.64	1.63	4.98	1.65						
2000	3500			5500	55%	10	4.86	1.23	6.86	1.26	6.99	1.29	7.06	1.31	7.15	1.32	7.35	1.35	7.59	1.37
						12	4.86	1.26	6.67	1.29	6.81	1.32	6.89	1.34	6.98	1.35	7.19	1.38	7.44	1.40
						14	4.86	1.29	6.49	1.32	6.64	1.35	6.73	1.37	6.82	1.38	7.04	1.41	7.30	1.44
						16	4.86	1.32	6.32	1.36	6.48	1.39	6.57	1.40	6.67	1.41	6.90	1.44	7.16	1.47
						18	4.86	1.36	6.16	1.39	6.32	1.42	6.42	1.43	6.53	1.45	6.76	1.47	7.04	1.50
						20	4.86	1.39	6.00	1.42	6.18	1.45	6.28	1.47	6.39	1.48	6.64	1.51	6.92	1.54
						21	4.86	1.41	5.92	1.44	6.11	1.47	6.21	1.48	6.32	1.50	6.58	1.53	6.86	1.55
						23	4.86	1.45	5.78	1.48	5.97	1.51	6.08	1.52	6.20	1.53	6.46	1.56	6.76	1.59
						25	4.86	1.48	5.64	1.51	5.84	1.54	5.96	1.56	6.08	1.57	6.35	1.60	6.66	1.62
						27	4.86	1.52	5.51	1.55	5.72	1.58	5.84	1.59	5.97	1.61	6.25	1.64	6.57	1.66
						29	4.86	1.56	5.39	1.59	5.61	1.62	5.74	1.63	5.87	1.65	6.16	1.67	6.48	1.70
						31	4.86	1.60	5.28	1.63	5.51	1.66	5.64	1.67	5.77	1.69	6.07	1.71	6.41	1.74
						33	4.86	1.64	5.17	1.67	5.41	1.70	5.54	1.71	5.69	1.73	5.99	1.75	6.34	1.78
						35	4.86	1.68	5.07	1.71	5.32	1.74	5.50	1.75	5.61	1.77	5.92	1.79	6.28	1.82
						37	4.86	1.72	4.98	1.75	5.24	1.78	5.38	1.80	5.53	1.81	5.86	1.84	6.23	1.86
						39	4.86	1.77	4.90	1.80	5.17	1.83	5.31	1.84	5.47	1.85	5.81	1.88	6.18	1.90
42	4.86	1.83	4.79	1.86	5.07	1.89	5.22	1.91	5.39	1.92	5.74	1.95	6.13	1.97						
44	4.86	1.88	4.72	1.91	5.02	1.94	5.17	1.95	5.34	1.96	5.70	1.99	6.10	2.02						
46	4.86	1.93	4.67	1.96	4.97	1.98	5.13	2.00	5.30	2.01	5.68	2.04	6.08	2.06						

12. Capacity Table

Combination (Capacity Index)				Combination (Total)	Combination (%)	Outdoor Temperature (°C, DB)	Indoor Temperature(°C, WB)													
							14		16		18		19		20		22		24	
							TC(kW)	PI(kW)	TC(kW)	PI(kW)	TC(kW)	PI(kW)	TC(kW)	PI(kW)	TC(kW)	PI(kW)	TC(kW)	PI(kW)	TC(kW)	PI(kW)
2000	5000			7000	70%	10	6.19	1.54	8.73	1.58	8.89	1.62	8.99	1.63	9.10	1.65	9.36	1.69	9.66	1.72
						12	6.19	1.58	8.49	1.62	8.67	1.65	8.77	1.67	8.89	1.69	9.15	1.72	9.47	1.76
						14	6.19	1.62	8.26	1.66	8.45	1.69	8.56	1.71	8.68	1.73	8.96	1.76	9.29	1.80
						16	6.19	1.66	8.04	1.70	8.24	1.73	8.36	1.75	8.49	1.77	8.78	1.80	9.12	1.84
						18	6.19	1.70	7.83	1.74	8.05	1.78	8.17	1.79	8.31	1.81	8.61	1.85	8.96	1.88
						20	6.19	1.74	7.64	1.78	7.86	1.82	7.99	1.84	8.13	1.85	8.45	1.89	8.81	1.92
						21	6.19	1.77	7.54	1.80	7.77	1.84	7.90	1.86	8.05	1.88	8.37	1.91	8.74	1.94
						23	6.19	1.81	7.36	1.85	7.60	1.89	7.74	1.90	7.89	1.92	8.22	1.95	8.60	1.99
						25	6.19	1.86	7.18	1.89	7.44	1.93	7.58	1.95	7.74	1.97	8.08	2.00	8.47	2.03
						27	6.19	1.90	7.02	1.94	7.29	1.98	7.44	2.00	7.60	2.01	7.96	2.05	8.36	2.08
						29	6.19	1.95	6.86	1.99	7.14	2.03	7.30	2.04	7.47	2.06	7.84	2.09	8.25	2.13
						31	6.19	2.00	6.72	2.04	7.01	2.08	7.17	2.09	7.35	2.11	7.73	2.14	8.15	2.18
						33	6.19	2.05	6.58	2.09	6.89	2.13	7.06	2.14	7.24	2.16	7.63	2.19	8.07	2.23
						35	6.19	2.11	6.46	2.14	6.77	2.18	7.00	2.19	7.13	2.21	7.54	2.25	7.99	2.28
						37	6.19	2.16	6.34	2.20	6.67	2.23	6.85	2.25	7.04	2.27	7.46	2.30	7.92	2.33
						39	6.19	2.21	6.24	2.25	6.58	2.28	6.76	2.30	6.96	2.32	7.39	2.35	7.87	2.38
42	6.19	2.30	6.09	2.33	6.45	2.37	6.65	2.39	6.86	2.40	7.30	2.43	7.80	2.47						
44	6.19	2.35	6.01	2.39	6.38	2.43	6.59	2.44	6.80	2.46	7.26	2.49	7.76	2.52						
46	6.19	2.41	5.94	2.45	6.32	2.48	6.53	2.50	6.75	2.52	7.22	2.55	7.74	2.58						
2000	6800			8800	88%	10	7.13	1.79	10.06	1.84	10.25	1.88	10.37	1.90	10.49	1.92	10.79	1.96	11.13	2.00
						12	7.13	1.84	9.79	1.88	9.99	1.93	10.11	1.95	10.25	1.97	10.55	2.01	10.91	2.05
						14	7.13	1.88	9.52	1.93	9.74	1.97	9.87	1.99	10.01	2.01	10.33	2.05	10.71	2.09
						16	7.13	1.93	9.27	1.98	9.50	2.02	9.64	2.04	9.79	2.06	10.12	2.10	10.51	2.14
						18	7.13	1.98	9.03	2.02	9.28	2.07	9.42	2.09	9.58	2.11	9.93	2.15	10.33	2.19
						20	7.13	2.03	8.80	2.07	9.06	2.12	9.21	2.14	9.38	2.16	9.74	2.20	10.15	2.24
						21	7.13	2.06	8.69	2.10	8.96	2.14	9.11	2.16	9.28	2.18	9.65	2.22	10.07	2.26
						23	7.13	2.11	8.48	2.15	8.76	2.19	8.92	2.22	9.09	2.24	9.48	2.28	9.91	2.31
						25	7.13	2.16	8.28	2.21	8.58	2.25	8.74	2.27	8.92	2.29	9.32	2.33	9.77	2.37
						27	7.13	2.22	8.09	2.26	8.40	2.30	8.57	2.32	8.76	2.34	9.17	2.38	9.64	2.42
						29	7.13	2.27	7.91	2.32	8.24	2.36	8.42	2.38	8.61	2.40	9.04	2.44	9.51	2.48
						31	7.13	2.33	7.75	2.37	8.08	2.42	8.27	2.44	8.47	2.46	8.91	2.50	9.40	2.53
						33	7.13	2.39	7.59	2.43	7.94	2.48	8.13	2.50	8.34	2.52	8.80	2.55	9.30	2.59
						35	7.13	2.45	7.44	2.49	7.81	2.54	8.07	2.55	8.23	2.58	8.69	2.61	9.21	2.65
						37	7.13	2.51	7.31	2.56	7.69	2.60	7.90	2.62	8.12	2.64	8.60	2.68	9.13	2.71
						39	7.13	2.58	7.19	2.62	7.58	2.66	7.80	2.68	8.03	2.70	8.52	2.74	9.07	2.78
42	7.13	2.67	7.03	2.72	7.44	2.76	7.67	2.78	7.90	2.80	8.42	2.83	8.99	2.87						
44	7.13	2.74	6.93	2.78	7.36	2.82	7.59	2.84	7.84	2.86	8.37	2.90	8.95	2.94						
46	7.13	2.81	6.85	2.85	7.29	2.89	7.53	2.91	7.78	2.93	8.33	2.97	8.92	3.00						

12. Capacity Table

Combination (Capacity Index)				Combination (Total)	Combination (%)	Outdoor Temperature (°C, DB)	Indoor Temperature(°C, WB)													
							14		16		18		19		20		22		24	
							TC(kW)	PI(kW)	TC(kW)	PI(kW)	TC(kW)	PI(kW)	TC(kW)	PI(kW)	TC(kW)	PI(kW)	TC(kW)	PI(kW)	TC(kW)	PI(kW)
2500	2500			5000	50%	10	4.42	1.12	6.23	1.15	6.35	1.18	6.42	1.19	6.50	1.21	6.68	1.23	6.90	1.26
						12	4.42	1.15	6.06	1.18	6.19	1.21	6.27	1.22	6.35	1.23	6.54	1.26	6.76	1.28
						14	4.42	1.18	5.90	1.21	6.04	1.24	6.12	1.25	6.20	1.26	6.40	1.29	6.63	1.31
						16	4.42	1.21	5.75	1.24	5.89	1.27	5.97	1.28	6.06	1.29	6.27	1.32	6.51	1.34
						18	4.42	1.24	5.60	1.27	5.75	1.30	5.84	1.31	5.93	1.32	6.15	1.35	6.40	1.37
						20	4.42	1.27	5.45	1.30	5.62	1.33	5.71	1.34	5.81	1.35	6.03	1.38	6.29	1.40
						21	4.42	1.29	5.39	1.32	5.55	1.34	5.65	1.36	5.75	1.37	5.98	1.40	6.24	1.42
						23	4.42	1.32	5.25	1.35	5.43	1.38	5.53	1.39	5.63	1.40	5.87	1.43	6.14	1.45
						25	4.42	1.36	5.13	1.38	5.31	1.41	5.42	1.42	5.53	1.44	5.77	1.46	6.05	1.49
						27	4.42	1.39	5.01	1.42	5.20	1.45	5.31	1.46	5.43	1.47	5.68	1.50	5.97	1.52
						29	4.42	1.43	4.90	1.45	5.10	1.48	5.21	1.49	5.33	1.51	5.60	1.53	5.89	1.55
						31	4.42	1.46	4.80	1.49	5.01	1.52	5.12	1.53	5.25	1.54	5.52	1.57	5.82	1.59
						33	4.42	1.50	4.70	1.53	4.92	1.55	5.04	1.57	5.17	1.58	5.45	1.60	5.76	1.63
						35	4.42	1.54	4.61	1.57	4.84	1.59	5.00	1.60	5.10	1.62	5.39	1.64	5.71	1.66
						37	4.42	1.58	4.53	1.60	4.76	1.63	4.89	1.64	5.03	1.65	5.33	1.68	5.66	1.70
						39	4.42	1.62	4.45	1.64	4.70	1.67	4.83	1.68	4.97	1.69	5.28	1.72	5.62	1.74
42	4.42	1.68	4.35	1.70	4.61	1.73	4.75	1.74	4.90	1.75	5.22	1.78	5.57	1.80						
44	4.42	1.72	4.30	1.75	4.56	1.77	4.70	1.78	4.86	1.80	5.18	1.82	5.55	1.84						
46	4.42	1.76	4.24	1.79	4.52	1.81	4.67	1.83	4.82	1.84	5.16	1.86	5.53	1.89						
2500	3500			6000	60%	10	5.30	1.29	7.48	1.33	7.62	1.36	7.71	1.37	7.80	1.39	8.02	1.42	8.28	1.45
						12	5.30	1.33	7.28	1.36	7.43	1.39	7.52	1.40	7.62	1.42	7.85	1.45	8.11	1.48
						14	5.30	1.36	7.08	1.39	7.24	1.42	7.34	1.44	7.44	1.45	7.68	1.48	7.96	1.51
						16	5.30	1.39	6.89	1.43	7.07	1.46	7.17	1.47	7.28	1.49	7.53	1.52	7.81	1.54
						18	5.30	1.43	6.72	1.46	6.90	1.49	7.00	1.51	7.12	1.52	7.38	1.55	7.68	1.58
						20	5.30	1.46	6.55	1.50	6.74	1.53	6.85	1.54	6.97	1.56	7.24	1.59	7.55	1.61
						21	5.30	1.48	6.46	1.52	6.66	1.55	6.78	1.56	6.90	1.58	7.17	1.60	7.49	1.63
						23	5.30	1.52	6.31	1.55	6.51	1.58	6.63	1.60	6.76	1.61	7.05	1.64	7.37	1.67
						25	5.30	1.56	6.16	1.59	6.38	1.62	6.50	1.64	6.63	1.65	6.93	1.68	7.26	1.71
						27	5.30	1.60	6.02	1.63	6.25	1.66	6.37	1.68	6.51	1.69	6.82	1.72	7.16	1.75
						29	5.30	1.64	5.88	1.67	6.12	1.70	6.26	1.72	6.40	1.73	6.72	1.76	7.07	1.79
						31	5.30	1.68	5.76	1.71	6.01	1.74	6.15	1.76	6.30	1.77	6.62	1.80	6.99	1.83
						33	5.30	1.72	5.64	1.76	5.90	1.79	6.05	1.80	6.20	1.82	6.54	1.84	6.92	1.87
						35	5.30	1.77	5.54	1.80	5.81	1.83	6.00	1.84	6.12	1.86	6.46	1.89	6.85	1.91
						37	5.30	1.81	5.44	1.84	5.72	1.87	5.87	1.89	6.04	1.90	6.39	1.93	6.79	1.96
						39	5.30	1.86	5.34	1.89	5.64	1.92	5.80	1.93	5.97	1.95	6.34	1.98	6.74	2.00
42	5.30	1.93	5.22	1.96	5.53	1.99	5.70	2.00	5.88	2.02	6.26	2.05	6.68	2.07						
44	5.30	1.98	5.15	2.01	5.47	2.04	5.64	2.05	5.83	2.07	6.22	2.09	6.65	2.12						
46	5.30	2.03	5.09	2.06	5.42	2.09	5.60	2.10	5.79	2.11	6.19	2.14	6.63	2.17						

12. Capacity Table

Combination (Capacity Index)				Combination (Total)	Combination (%)	Outdoor Temperature (°C, DB)	Indoor Temperature(°C, WB)													
							14		16		18		19		20		22		24	
							TC(kW)	PI(kW)	TC(kW)	PI(kW)	TC(kW)	PI(kW)	TC(kW)	PI(kW)	TC(kW)	PI(kW)	TC(kW)	PI(kW)	TC(kW)	PI(kW)
2500	5000			7500	75%	10	6.63	1.64	9.35	1.69	9.53	1.73	9.63	1.75	9.75	1.76	10.02	1.80	10.34	1.84
						12	6.63	1.69	9.10	1.73	9.29	1.77	9.40	1.79	9.52	1.81	9.81	1.84	10.14	1.88
						14	6.63	1.73	8.85	1.77	9.05	1.81	9.17	1.83	9.30	1.85	9.60	1.88	9.95	1.92
						16	6.63	1.77	8.62	1.81	8.83	1.85	8.96	1.87	9.10	1.89	9.41	1.93	9.77	1.96
						18	6.63	1.82	8.39	1.86	8.62	1.90	8.76	1.92	8.90	1.94	9.22	1.97	9.60	2.01
						20	6.63	1.86	8.18	1.90	8.42	1.94	8.56	1.96	8.71	1.98	9.05	2.02	9.44	2.05
						21	6.63	1.89	8.08	1.93	8.33	1.97	8.47	1.99	8.62	2.00	8.97	2.04	9.36	2.08
						23	6.63	1.93	7.88	1.98	8.14	2.01	8.29	2.03	8.45	2.05	8.81	2.09	9.21	2.12
						25	6.63	1.98	7.70	2.02	7.97	2.06	8.12	2.08	8.29	2.10	8.66	2.14	9.08	2.17
						27	6.63	2.03	7.52	2.07	7.81	2.11	7.97	2.13	8.14	2.15	8.52	2.19	8.95	2.22
						29	6.63	2.09	7.35	2.13	7.65	2.17	7.82	2.18	8.00	2.20	8.40	2.24	8.84	2.27
						31	6.63	2.14	7.20	2.18	7.51	2.22	7.69	2.24	7.87	2.25	8.28	2.29	8.74	2.33
						33	6.63	2.19	7.05	2.23	7.38	2.27	7.56	2.29	7.75	2.31	8.17	2.34	8.64	2.38
						35	6.63	2.25	6.92	2.29	7.26	2.33	7.50	2.34	7.64	2.36	8.08	2.40	8.56	2.43
						37	6.63	2.31	6.79	2.35	7.15	2.38	7.34	2.40	7.55	2.42	7.99	2.46	8.49	2.49
						39	6.63	2.36	6.68	2.40	7.05	2.44	7.25	2.46	7.46	2.48	7.92	2.51	8.43	2.55
42	6.63	2.45	6.53	2.49	6.91	2.53	7.12	2.55	7.35	2.57	7.83	2.60	8.35	2.63						
44	6.63	2.51	6.44	2.55	6.84	2.59	7.06	2.61	7.28	2.63	7.78	2.66	8.32	2.70						
46	6.63	2.58	6.37	2.62	6.78	2.65	7.00	2.67	7.23	2.69	7.74	2.72	8.29	2.76						
2500	6800			9300	93%	10	7.20	1.79	10.16	1.84	10.35	1.88	10.47	1.90	10.60	1.92	10.89	1.96	11.24	2.00
						12	7.20	1.84	9.88	1.88	10.09	1.93	10.21	1.95	10.35	1.97	10.66	2.01	11.02	2.05
						14	7.20	1.88	9.62	1.93	9.84	1.97	9.97	1.99	10.11	2.01	10.44	2.05	10.81	2.09
						16	7.20	1.93	9.36	1.98	9.60	2.02	9.74	2.04	9.89	2.06	10.22	2.10	10.61	2.14
						18	7.20	1.98	9.12	2.02	9.37	2.07	9.51	2.09	9.67	2.11	10.02	2.15	10.43	2.19
						20	7.20	2.03	8.89	2.07	9.15	2.12	9.30	2.14	9.47	2.16	9.83	2.20	10.25	2.24
						21	7.20	2.06	8.78	2.10	9.05	2.14	9.20	2.16	9.37	2.18	9.74	2.22	10.17	2.26
						23	7.20	2.11	8.57	2.15	8.85	2.19	9.01	2.22	9.19	2.24	9.57	2.28	10.01	2.31
						25	7.20	2.16	8.36	2.21	8.66	2.25	8.83	2.27	9.01	2.29	9.41	2.33	9.87	2.37
						27	7.20	2.22	8.17	2.26	8.48	2.30	8.66	2.32	8.85	2.34	9.26	2.38	9.73	2.42
						29	7.20	2.27	7.99	2.32	8.32	2.36	8.50	2.38	8.69	2.40	9.12	2.44	9.61	2.48
						31	7.20	2.33	7.82	2.37	8.16	2.42	8.35	2.44	8.55	2.46	9.00	2.50	9.49	2.53
						33	7.20	2.39	7.66	2.43	8.02	2.48	8.22	2.50	8.42	2.52	8.88	2.55	9.39	2.59
						35	7.20	2.45	7.52	2.49	7.89	2.54	8.15	2.55	8.31	2.58	8.78	2.61	9.30	2.65
						37	7.20	2.51	7.38	2.56	7.77	2.60	7.98	2.62	8.20	2.64	8.69	2.68	9.22	2.71
						39	7.20	2.58	7.26	2.62	7.66	2.66	7.87	2.68	8.10	2.70	8.61	2.74	9.16	2.78
42	7.20	2.67	7.10	2.72	7.51	2.76	7.74	2.78	7.98	2.80	8.50	2.83	9.08	2.87						
44	7.20	2.74	7.00	2.78	7.43	2.82	7.67	2.84	7.92	2.86	8.45	2.90	9.04	2.94						
46	7.20	2.81	6.92	2.85	7.36	2.89	7.60	2.91	7.86	2.93	8.41	2.97	9.01	3.00						

12. Capacity Table

Combination (Capacity Index)				Combination (Total)	Combination (%)	Outdoor Temperature (°C, DB)	Indoor Temperature(°C, WB)													
							14		16		18		19		20		22		24	
							TC(kW)	PI(kW)	TC(kW)	PI(kW)	TC(kW)	PI(kW)	TC(kW)	PI(kW)	TC(kW)	PI(kW)	TC(kW)	PI(kW)	TC(kW)	PI(kW)
3500	3500			7000	70%	10	6.19	1.50	8.73	1.53	8.89	1.57	8.99	1.59	9.10	1.61	9.36	1.64	9.66	1.67
						12	6.19	1.53	8.49	1.57	8.67	1.61	8.77	1.63	8.89	1.64	9.15	1.68	9.47	1.71
						14	6.19	1.57	8.26	1.61	8.45	1.65	8.56	1.66	8.68	1.68	8.96	1.72	9.29	1.75
						16	6.19	1.61	8.04	1.65	8.24	1.69	8.36	1.70	8.49	1.72	8.78	1.75	9.12	1.79
						18	6.19	1.65	7.83	1.69	8.05	1.73	8.17	1.74	8.31	1.76	8.61	1.79	8.96	1.83
						20	6.19	1.70	7.64	1.73	7.86	1.77	7.99	1.79	8.13	1.80	8.45	1.84	8.81	1.87
						21	6.19	1.72	7.54	1.75	7.77	1.79	7.90	1.81	8.05	1.82	8.37	1.86	8.74	1.89
						23	6.19	1.76	7.36	1.80	7.60	1.83	7.74	1.85	7.89	1.87	8.22	1.90	8.60	1.93
						25	6.19	1.81	7.18	1.84	7.44	1.88	7.58	1.90	7.74	1.91	8.08	1.95	8.47	1.98
						27	6.19	1.85	7.02	1.89	7.29	1.92	7.44	1.94	7.60	1.96	7.96	1.99	8.36	2.02
						29	6.19	1.90	6.86	1.94	7.14	1.97	7.30	1.99	7.47	2.00	7.84	2.04	8.25	2.07
						31	6.19	1.95	6.72	1.98	7.01	2.02	7.17	2.04	7.35	2.05	7.73	2.09	8.15	2.12
						33	6.19	2.00	6.58	2.03	6.89	2.07	7.06	2.08	7.24	2.10	7.63	2.13	8.07	2.17
						35	6.19	2.05	6.46	2.08	6.77	2.12	7.00	2.13	7.13	2.15	7.54	2.18	7.99	2.22
						37	6.19	2.10	6.34	2.14	6.67	2.17	6.85	2.19	7.04	2.20	7.46	2.24	7.92	2.27
						39	6.19	2.15	6.24	2.19	6.58	2.22	6.76	2.24	6.96	2.26	7.39	2.29	7.87	2.32
42	6.19	2.23	6.09	2.27	6.45	2.30	6.65	2.32	6.86	2.34	7.30	2.37	7.80	2.40						
44	6.19	2.29	6.01	2.32	6.38	2.36	6.59	2.38	6.80	2.39	7.26	2.42	7.76	2.45						
46	6.19	2.35	5.94	2.38	6.32	2.42	6.53	2.43	6.75	2.45	7.22	2.48	7.74	2.51						
3500	5000			8500	85%	10	7.09	1.75	10.00	1.79	10.19	1.84	10.30	1.86	10.43	1.88	10.72	1.92	11.06	1.96
						12	7.09	1.79	9.73	1.84	9.93	1.88	10.05	1.90	10.18	1.92	10.49	1.96	10.85	2.00
						14	7.09	1.84	9.47	1.88	9.68	1.92	9.81	1.95	9.95	1.97	10.27	2.01	10.64	2.04
						16	7.09	1.89	9.22	1.93	9.45	1.97	9.58	1.99	9.73	2.01	10.06	2.05	10.45	2.09
						18	7.09	1.93	8.98	1.98	9.22	2.02	9.36	2.04	9.52	2.06	9.86	2.10	10.26	2.14
						20	7.09	1.98	8.75	2.03	9.01	2.07	9.16	2.09	9.32	2.11	9.68	2.15	10.09	2.18
						21	7.09	2.01	8.64	2.05	8.90	2.09	9.06	2.11	9.22	2.13	9.59	2.17	10.01	2.21
						23	7.09	2.06	8.43	2.10	8.71	2.14	8.87	2.16	9.04	2.18	9.42	2.22	9.85	2.26
						25	7.09	2.11	8.23	2.15	8.52	2.20	8.69	2.22	8.87	2.24	9.26	2.27	9.71	2.31
						27	7.09	2.16	8.04	2.21	8.35	2.25	8.52	2.27	8.71	2.29	9.12	2.33	9.58	2.36
						29	7.09	2.22	7.86	2.26	8.18	2.30	8.36	2.32	8.56	2.34	8.98	2.38	9.45	2.42
						31	7.09	2.28	7.70	2.32	8.03	2.36	8.22	2.38	8.42	2.40	8.85	2.44	9.34	2.47
						33	7.09	2.33	7.54	2.38	7.89	2.42	8.08	2.44	8.29	2.46	8.74	2.49	9.24	2.53
						35	7.09	2.39	7.40	2.44	7.76	2.48	8.02	2.49	8.17	2.52	8.64	2.55	9.15	2.59
						37	7.09	2.45	7.27	2.50	7.64	2.54	7.85	2.56	8.07	2.58	8.55	2.61	9.08	2.65
						39	7.09	2.52	7.14	2.56	7.53	2.60	7.75	2.62	7.98	2.64	8.47	2.67	9.01	2.71
42	7.09	2.61	6.98	2.65	7.39	2.69	7.62	2.71	7.86	2.73	8.37	2.77	8.93	2.80						
44	7.09	2.68	6.89	2.72	7.31	2.76	7.55	2.78	7.79	2.80	8.32	2.83	8.89	2.87						
46	7.09	2.74	6.81	2.78	7.25	2.82	7.48	2.84	7.73	2.86	8.28	2.90	8.87	2.93						

12. Capacity Table

Combination (Capacity Index)				Combination (Total)	Combination (%)	Outdoor Temperature (°C, DB)	Indoor Temperature(°C, WB)													
							14		16		18		19		20		22		24	
							TC(kW)	PI(kW)	TC(kW)	PI(kW)	TC(kW)	PI(kW)	TC(kW)	PI(kW)	TC(kW)	PI(kW)	TC(kW)	PI(kW)	TC(kW)	PI(kW)
3500	6800			10300	103%	10	7.59	1.90	10.71	1.94	10.91	1.99	11.03	2.01	11.17	2.04	11.48	2.08	11.85	2.12
						12	7.59	1.94	10.42	1.99	10.63	2.04	10.76	2.06	10.91	2.08	11.23	2.13	11.62	2.17
						14	7.59	1.99	10.14	2.04	10.37	2.09	10.51	2.11	10.66	2.13	11.00	2.17	11.40	2.22
						16	7.59	2.04	9.87	2.09	10.12	2.14	10.26	2.16	10.42	2.18	10.78	2.22	11.19	2.27
						18	7.59	2.10	9.61	2.14	9.88	2.19	10.03	2.21	10.19	2.23	10.57	2.28	10.99	2.32
						20	7.59	2.15	9.37	2.20	9.65	2.24	9.81	2.26	9.98	2.29	10.37	2.33	10.81	2.37
						21	7.59	2.18	9.25	2.22	9.54	2.27	9.70	2.29	9.88	2.31	10.27	2.35	10.72	2.40
						23	7.59	2.23	9.03	2.28	9.33	2.32	9.50	2.35	9.68	2.37	10.09	2.41	10.55	2.45
						25	7.59	2.29	8.81	2.34	9.13	2.38	9.31	2.40	9.50	2.42	9.92	2.47	10.40	2.51
						27	7.59	2.35	8.61	2.39	8.94	2.44	9.13	2.46	9.32	2.48	9.76	2.52	10.26	2.56
						29	7.59	2.41	8.42	2.45	8.77	2.50	8.96	2.52	9.16	2.54	9.62	2.58	10.13	2.62
						31	7.59	2.47	8.24	2.51	8.60	2.56	8.80	2.58	9.02	2.60	9.48	2.64	10.01	2.68
						33	7.59	2.53	8.08	2.58	8.45	2.62	8.66	2.64	8.88	2.66	9.36	2.71	9.90	2.74
						35	7.59	2.60	7.92	2.64	8.31	2.69	8.59	2.70	8.76	2.73	9.25	2.77	9.81	2.81
						37	7.59	2.66	7.78	2.71	8.19	2.75	8.41	2.77	8.64	2.79	9.16	2.83	9.72	2.87
						39	7.59	2.73	7.65	2.77	8.07	2.82	8.30	2.84	8.54	2.86	9.07	2.90	9.65	2.94
42	7.59	2.83	7.48	2.88	7.92	2.92	8.16	2.94	8.41	2.96	8.96	3.00	9.57	3.04						
44	7.59	2.90	7.38	2.95	7.83	2.99	8.08	3.01	8.34	3.03	8.91	3.07	9.53	3.11						
46	7.59	2.97	7.29	3.02	7.76	3.06	8.02	3.08	8.28	3.10	8.86	3.14	9.50	3.18						
5000	5000			10000	100%	10	7.56	1.86	10.67	1.91	10.87	1.95	10.99	1.98	11.13	2.00	11.44	2.04	11.81	2.08
						12	7.56	1.91	10.38	1.96	10.60	2.00	10.73	2.02	10.87	2.04	11.19	2.09	11.58	2.13
						14	7.56	1.96	10.10	2.00	10.33	2.05	10.47	2.07	10.62	2.09	10.96	2.13	11.36	2.17
						16	7.56	2.01	9.84	2.05	10.08	2.10	10.23	2.12	10.38	2.14	10.74	2.18	11.15	2.22
						18	7.56	2.06	9.58	2.10	9.84	2.15	9.99	2.17	10.16	2.19	10.53	2.23	10.95	2.27
						20	7.56	2.11	9.34	2.16	9.61	2.20	9.77	2.22	9.94	2.24	10.33	2.28	10.77	2.32
						21	7.56	2.14	9.22	2.18	9.50	2.23	9.67	2.25	9.84	2.27	10.23	2.31	10.68	2.35
						23	7.56	2.19	9.00	2.24	9.29	2.28	9.46	2.30	9.65	2.32	10.05	2.36	10.52	2.40
						25	7.56	2.25	8.78	2.29	9.10	2.34	9.27	2.36	9.46	2.38	9.89	2.42	10.36	2.46
						27	7.56	2.30	8.58	2.35	8.91	2.39	9.09	2.41	9.29	2.44	9.73	2.48	10.22	2.52
						29	7.56	2.36	8.39	2.41	8.74	2.45	8.93	2.47	9.13	2.49	9.58	2.53	10.09	2.57
						31	7.56	2.42	8.22	2.47	8.57	2.51	8.77	2.53	8.98	2.55	9.45	2.59	9.97	2.63
						33	7.56	2.48	8.05	2.53	8.42	2.57	8.63	2.59	8.85	2.61	9.33	2.66	9.87	2.69
						35	7.56	2.55	7.90	2.59	8.28	2.64	8.56	2.65	8.72	2.68	9.22	2.72	9.77	2.76
						37	7.56	2.61	7.76	2.66	8.16	2.70	8.38	2.72	8.61	2.74	9.12	2.78	9.69	2.82
						39	7.56	2.68	7.63	2.72	8.04	2.76	8.27	2.79	8.51	2.81	9.04	2.85	9.62	2.88
42	7.56	2.78	7.45	2.82	7.89	2.87	8.13	2.89	8.38	2.91	8.93	2.95	9.53	2.98						
44	7.56	2.85	7.35	2.89	7.81	2.93	8.05	2.96	8.31	2.98	8.88	3.01	9.49	3.05						
46	7.56	2.92	7.27	2.96	7.73	3.00	7.99	3.03	8.26	3.05	8.83	3.08	9.46	3.12						

12. Capacity Table

Combination (Capacity Index)				Combination (Total)	Combination (%)	Outdoor Temperature (°C, DB)	Indoor Temperature(°C, WB)													
							14		16		18		19		20		22		24	
							TC(kW)	PI(kW)	TC(kW)	PI(kW)	TC(kW)	PI(kW)	TC(kW)	PI(kW)	TC(kW)	PI(kW)	TC(kW)	PI(kW)	TC(kW)	PI(kW)
5000	6800			11800	118%	10	7.79	1.94	11.00	1.99	11.20	2.04	11.33	2.06	11.47	2.08	11.79	2.13	12.17	2.17
						12	7.79	1.99	10.70	2.04	10.92	2.08	11.05	2.11	11.20	2.13	11.53	2.17	11.93	2.22
						14	7.79	2.04	10.41	2.09	10.65	2.13	10.79	2.16	10.94	2.18	11.29	2.22	11.70	2.26
						16	7.79	2.09	10.13	2.14	10.39	2.18	10.54	2.21	10.70	2.23	11.06	2.27	11.49	2.32
						18	7.79	2.14	9.87	2.19	10.14	2.24	10.30	2.26	10.47	2.28	10.85	2.33	11.29	2.37
						20	7.79	2.20	9.62	2.25	9.91	2.29	10.07	2.31	10.25	2.34	10.64	2.38	11.10	2.42
						21	7.79	2.22	9.50	2.27	9.79	2.32	9.96	2.34	10.14	2.36	10.55	2.41	11.01	2.45
						23	7.79	2.28	9.27	2.33	9.58	2.38	9.75	2.40	9.94	2.42	10.36	2.46	10.84	2.50
						25	7.79	2.34	9.05	2.39	9.37	2.43	9.55	2.46	9.75	2.48	10.19	2.52	10.68	2.56
						27	7.79	2.40	8.84	2.45	9.18	2.49	9.37	2.52	9.57	2.54	10.02	2.58	10.53	2.62
						29	7.79	2.46	8.65	2.51	9.00	2.55	9.20	2.58	9.41	2.60	9.88	2.64	10.40	2.68
						31	7.79	2.52	8.47	2.57	8.83	2.62	9.04	2.64	9.26	2.66	9.74	2.70	10.27	2.74
						33	7.79	2.59	8.29	2.63	8.68	2.68	8.89	2.70	9.12	2.72	9.61	2.77	10.17	2.81
						35	7.79	2.65	8.14	2.70	8.54	2.74	8.82	2.76	8.99	2.79	9.50	2.83	10.07	2.87
						37	7.79	2.72	7.99	2.77	8.40	2.81	8.63	2.83	8.87	2.85	9.40	2.90	9.98	2.94
						39	7.79	2.79	7.86	2.83	8.29	2.88	8.52	2.90	8.77	2.92	9.31	2.96	9.91	3.00
						42	7.79	2.89	7.68	2.94	8.13	2.98	8.38	3.01	8.64	3.03	9.20	3.07	9.82	3.11
44	7.79	2.97	7.58	3.01	8.04	3.06	8.30	3.08	8.57	3.10	9.15	3.14	9.78	3.18						
46	7.79	3.04	7.49	3.09	7.97	3.13	8.23	3.15	8.51	3.17	9.10	3.21	9.75	3.25						
6800	6800			13600	136%	10	10.23	1.99	10.63	2.03	11.04	2.07	11.25	2.09	11.46	2.11	11.88	2.15	12.30	2.20
						12	10.05	2.04	10.46	2.08	10.87	2.12	11.07	2.15	11.28	2.17	11.70	2.21	12.13	2.25
						14	9.88	2.09	10.28	2.14	10.69	2.18	10.90	2.20	11.11	2.22	11.53	2.26	11.95	2.31
						16	9.70	2.15	10.10	2.19	10.51	2.23	10.72	2.26	10.93	2.28	11.35	2.32	11.78	2.36
						18	9.52	2.20	9.93	2.25	10.34	2.29	10.55	2.31	10.76	2.33	11.18	2.38	11.61	2.42
						20	9.35	2.26	9.75	2.31	10.17	2.35	10.37	2.37	10.58	2.39	11.01	2.44	11.44	2.48
						21	9.26	2.29	9.67	2.33	10.08	2.38	10.29	2.40	10.50	2.42	10.92	2.47	11.35	2.51
						23	9.09	2.35	9.49	2.39	9.91	2.44	10.11	2.46	10.32	2.48	10.75	2.53	11.18	2.57
						25	8.91	2.41	9.32	2.45	9.73	2.50	9.94	2.52	10.15	2.54	10.58	2.59	11.01	2.63
						27	8.74	2.47	9.14	2.51	9.56	2.56	9.77	2.58	9.98	2.60	10.41	2.65	10.84	2.69
						29	8.56	2.53	8.97	2.58	9.39	2.62	9.60	2.64	9.81	2.67	10.24	2.71	10.67	2.76
						31	8.39	2.59	8.80	2.64	9.21	2.68	9.43	2.71	9.64	2.73	10.07	2.77	10.50	2.82
						33	8.22	2.66	8.63	2.70	9.04	2.75	9.25	2.77	9.47	2.79	9.90	2.84	10.33	2.88
						35	8.04	2.72	8.45	2.77	8.87	2.81	9.10	2.83	9.30	2.86	9.73	2.90	10.16	2.95
						37	7.87	2.79	8.28	2.83	8.70	2.88	8.91	2.90	9.13	2.93	9.56	2.97	9.99	3.02
						39	7.70	2.85	8.11	2.90	8.53	2.95	8.74	2.97	8.96	2.99	9.39	3.04	9.83	3.09
						42	7.44	2.96	7.86	3.00	8.28	3.05	8.49	3.07	8.70	3.10	9.14	3.14	9.57	3.19
44	7.27	3.02	7.69	3.07	8.11	3.12	8.32	3.14	8.54	3.17	8.97	3.21	9.41	3.26						
46	7.10	3.09	7.52	3.14	7.94	3.19	8.15	3.21	8.37	3.24	8.80	3.28	9.24	3.33						

12. Capacity Table

Combination (Capacity Index)				Combination (Total)	Combination (%)	Outdoor Temperature (°C,DB)	Indoor Temperature(°C, WB)													
							14		16		18		19		20		22		24	
							TC(kW)	PI(kW)	TC(kW)	PI(kW)	TC(kW)	PI(kW)	TC(kW)	PI(kW)	TC(kW)	PI(kW)	TC(kW)	PI(kW)	TC(kW)	PI(kW)
2000	2000	2000		6000	60%	10	5.30	1.31	7.48	1.35	7.62	1.38	7.71	1.39	7.80	1.41	8.02	1.44	8.28	1.47
						12	5.30	1.35	7.28	1.38	7.43	1.41	7.52	1.43	7.62	1.44	7.85	1.47	8.11	1.50
						14	5.30	1.38	7.08	1.41	7.24	1.45	7.34	1.46	7.44	1.48	7.68	1.51	7.96	1.53
						16	5.30	1.42	6.89	1.45	7.07	1.48	7.17	1.50	7.28	1.51	7.53	1.54	7.81	1.57
						18	5.30	1.45	6.72	1.48	6.90	1.52	7.00	1.53	7.12	1.55	7.38	1.58	7.68	1.60
						20	5.30	1.49	6.55	1.52	6.74	1.55	6.85	1.57	6.97	1.58	7.24	1.61	7.55	1.64
						21	5.30	1.51	6.46	1.54	6.66	1.57	6.78	1.59	6.90	1.60	7.17	1.63	7.49	1.66
						23	5.30	1.55	6.31	1.58	6.51	1.61	6.63	1.62	6.76	1.64	7.05	1.67	7.37	1.70
						25	5.30	1.59	6.16	1.62	6.38	1.65	6.50	1.66	6.63	1.68	6.93	1.71	7.26	1.74
						27	5.30	1.63	6.02	1.66	6.25	1.69	6.37	1.70	6.51	1.72	6.82	1.75	7.16	1.78
						29	5.30	1.67	5.88	1.70	6.12	1.73	6.26	1.75	6.40	1.76	6.72	1.79	7.07	1.82
						31	5.30	1.71	5.76	1.74	6.01	1.77	6.15	1.79	6.30	1.80	6.62	1.83	6.99	1.86
						33	5.30	1.75	5.64	1.78	5.90	1.82	6.05	1.83	6.20	1.85	6.54	1.87	6.92	1.90
						35	5.30	1.80	5.54	1.83	5.81	1.86	6.00	1.87	6.12	1.89	6.46	1.92	6.85	1.94
						37	5.30	1.84	5.44	1.87	5.72	1.90	5.87	1.92	6.04	1.93	6.39	1.96	6.79	1.99
						39	5.30	1.89	5.34	1.92	5.64	1.95	5.80	1.97	5.97	1.98	6.34	2.01	6.74	2.04
42	5.30	1.96	5.22	1.99	5.53	2.02	5.70	2.04	5.88	2.05	6.26	2.08	6.68	2.11						
44	5.30	2.01	5.15	2.04	5.47	2.07	5.64	2.09	5.83	2.10	6.22	2.13	6.65	2.15						
46	5.30	2.06	5.09	2.09	5.42	2.12	5.60	2.13	5.79	2.15	6.19	2.18	6.63	2.20						
2000	2000	2500		6500	65%	10	5.74	1.41	8.10	1.45	8.26	1.48	8.35	1.50	8.45	1.52	8.69	1.55	8.97	1.58
						12	5.74	1.45	7.88	1.48	8.05	1.52	8.15	1.53	8.25	1.55	8.50	1.58	8.79	1.61
						14	5.74	1.48	7.67	1.52	7.85	1.55	7.95	1.57	8.06	1.59	8.32	1.62	8.62	1.65
						16	5.74	1.52	7.47	1.56	7.66	1.59	7.76	1.61	7.88	1.62	8.15	1.66	8.47	1.69
						18	5.74	1.56	7.28	1.60	7.47	1.63	7.59	1.65	7.71	1.66	7.99	1.69	8.32	1.72
						20	5.74	1.60	7.09	1.64	7.30	1.67	7.42	1.69	7.55	1.70	7.84	1.73	8.18	1.76
						21	5.74	1.62	7.00	1.66	7.22	1.69	7.34	1.71	7.47	1.72	7.77	1.75	8.11	1.78
						23	5.74	1.66	6.83	1.70	7.06	1.73	7.19	1.75	7.33	1.76	7.63	1.79	7.99	1.82
						25	5.74	1.70	6.67	1.74	6.91	1.77	7.04	1.79	7.19	1.80	7.51	1.84	7.87	1.87
						27	5.74	1.75	6.52	1.78	6.77	1.82	6.91	1.83	7.06	1.85	7.39	1.88	7.76	1.91
						29	5.74	1.79	6.37	1.83	6.63	1.86	6.78	1.88	6.93	1.89	7.28	1.92	7.66	1.95
						31	5.74	1.84	6.24	1.87	6.51	1.91	6.66	1.92	6.82	1.94	7.18	1.97	7.57	2.00
						33	5.74	1.88	6.11	1.92	6.40	1.95	6.55	1.97	6.72	1.98	7.08	2.01	7.49	2.04
						35	5.74	1.93	6.00	1.97	6.29	2.00	6.50	2.01	6.63	2.03	7.00	2.06	7.42	2.09
						37	5.74	1.98	5.89	2.01	6.19	2.05	6.36	2.06	6.54	2.08	6.93	2.11	7.36	2.14
						39	5.74	2.03	5.79	2.06	6.11	2.10	6.28	2.11	6.46	2.13	6.86	2.16	7.30	2.19
42	5.74	2.11	5.66	2.14	5.99	2.17	6.17	2.19	6.37	2.20	6.78	2.23	7.24	2.26						
44	5.74	2.16	5.58	2.19	5.93	2.23	6.12	2.24	6.31	2.26	6.74	2.29	7.21	2.32						
46	5.74	2.21	5.52	2.25	5.87	2.28	6.07	2.29	6.27	2.31	6.71	2.34	7.19	2.37						

12. Capacity Table

Combination (Capacity Index)				Combination (Total)	Combination (%)	Outdoor Temperature (°C, DB)	Indoor Temperature(°C, WB)													
							14		16		18		19		20		22		24	
							TC(kW)	PI(kW)	TC(kW)	PI(kW)	TC(kW)	PI(kW)	TC(kW)	PI(kW)	TC(kW)	PI(kW)	TC(kW)	PI(kW)	TC(kW)	PI(kW)
2000	2000	3500		7500	75%	10	6.63	1.59	9.35	1.63	9.53	1.67	9.63	1.69	9.75	1.70	10.02	1.74	10.34	1.78
						12	6.63	1.63	9.10	1.67	9.29	1.71	9.40	1.73	9.52	1.74	9.81	1.78	10.14	1.81
						14	6.63	1.67	8.85	1.71	9.05	1.75	9.17	1.77	9.30	1.78	9.60	1.82	9.95	1.85
						16	6.63	1.71	8.62	1.75	8.83	1.79	8.96	1.81	9.10	1.83	9.41	1.86	9.77	1.90
						18	6.63	1.75	8.39	1.79	8.62	1.83	8.76	1.85	8.90	1.87	9.22	1.90	9.60	1.94
						20	6.63	1.80	8.18	1.84	8.42	1.88	8.56	1.90	8.71	1.91	9.05	1.95	9.44	1.98
						21	6.63	1.82	8.08	1.86	8.33	1.90	8.47	1.92	8.62	1.94	8.97	1.97	9.36	2.01
						23	6.63	1.87	7.88	1.91	8.14	1.95	8.29	1.96	8.45	1.98	8.81	2.02	9.21	2.05
						25	6.63	1.92	7.70	1.96	7.97	1.99	8.12	2.01	8.29	2.03	8.66	2.06	9.08	2.10
						27	6.63	1.96	7.52	2.00	7.81	2.04	7.97	2.06	8.14	2.08	8.52	2.11	8.95	2.15
						29	6.63	2.01	7.35	2.05	7.65	2.09	7.82	2.11	8.00	2.13	8.40	2.16	8.84	2.20
						31	6.63	2.07	7.20	2.10	7.51	2.14	7.69	2.16	7.87	2.18	8.28	2.21	8.74	2.25
						33	6.63	2.12	7.05	2.16	7.38	2.19	7.56	2.21	7.75	2.23	8.17	2.26	8.64	2.30
						35	6.63	2.17	6.92	2.21	7.26	2.25	7.50	2.26	7.64	2.28	8.08	2.32	8.56	2.35
						37	6.63	2.23	6.79	2.27	7.15	2.30	7.34	2.32	7.55	2.34	7.99	2.37	8.49	2.40
						39	6.63	2.28	6.68	2.32	7.05	2.36	7.25	2.38	7.46	2.39	7.92	2.43	8.43	2.46
42	6.63	2.37	6.53	2.41	6.91	2.44	7.12	2.46	7.35	2.48	7.83	2.51	8.35	2.54						
44	6.63	2.43	6.44	2.47	6.84	2.50	7.06	2.52	7.28	2.54	7.78	2.57	8.32	2.60						
46	6.63	2.49	6.37	2.53	6.78	2.56	7.00	2.58	7.23	2.60	7.74	2.63	8.29	2.66						
2000	2000	5000		9000	90%	10	7.68	1.83	10.83	1.88	11.04	1.92	11.16	1.95	11.30	1.97	11.61	2.01	11.99	2.05
						12	7.68	1.88	10.54	1.93	10.76	1.97	10.89	1.99	11.03	2.01	11.36	2.06	11.75	2.10
						14	7.68	1.93	10.26	1.97	10.49	2.02	10.63	2.04	10.78	2.06	11.13	2.10	11.53	2.14
						16	7.68	1.98	9.99	2.02	10.24	2.07	10.38	2.09	10.54	2.11	10.90	2.15	11.32	2.19
						18	7.68	2.03	9.73	2.07	9.99	2.12	10.14	2.14	10.31	2.16	10.69	2.20	11.12	2.24
						20	7.68	2.08	9.48	2.12	9.76	2.17	9.92	2.19	10.10	2.21	10.49	2.25	10.93	2.29
						21	7.68	2.10	9.36	2.15	9.65	2.19	9.81	2.21	9.99	2.24	10.39	2.28	10.84	2.32
						23	7.68	2.16	9.13	2.20	9.44	2.25	9.61	2.27	9.79	2.29	10.21	2.33	10.68	2.37
						25	7.68	2.21	8.92	2.26	9.23	2.30	9.41	2.32	9.61	2.34	10.04	2.38	10.52	2.42
						27	7.68	2.27	8.71	2.31	9.05	2.36	9.23	2.38	9.43	2.40	9.88	2.44	10.38	2.48
						29	7.68	2.33	8.52	2.37	8.87	2.41	9.06	2.44	9.27	2.46	9.73	2.50	10.24	2.54
						31	7.68	2.39	8.34	2.43	8.70	2.47	8.91	2.49	9.12	2.52	9.59	2.56	10.12	2.59
						33	7.68	2.45	8.17	2.49	8.55	2.53	8.76	2.55	8.98	2.58	9.47	2.61	10.02	2.65
						35	7.68	2.51	8.02	2.55	8.41	2.60	8.69	2.61	8.86	2.64	9.36	2.68	9.92	2.71
						37	7.68	2.57	7.87	2.62	8.28	2.66	8.51	2.68	8.74	2.70	9.26	2.74	9.84	2.78
						39	7.68	2.64	7.74	2.68	8.16	2.72	8.40	2.74	8.64	2.76	9.18	2.80	9.76	2.84
42	7.68	2.74	7.57	2.78	8.01	2.82	8.25	2.84	8.51	2.86	9.07	2.90	9.68	2.94						
44	7.68	2.80	7.46	2.85	7.92	2.89	8.18	2.91	8.44	2.93	9.01	2.97	9.64	3.01						
46	7.68	2.87	7.38	2.92	7.85	2.96	8.11	2.98	8.38	3.00	8.97	3.04	9.61	3.08						

12. Capacity Table

Combination (Capacity Index)				Combination (Total)	Combination (%)	Outdoor Temperature (°C, DB)	Indoor Temperature(°C, WB)													
							14		16		18		19		20		22		24	
							TC(kW)	PI(kW)	TC(kW)	PI(kW)	TC(kW)	PI(kW)	TC(kW)	PI(kW)	TC(kW)	PI(kW)	TC(kW)	PI(kW)	TC(kW)	PI(kW)
2000	2000	6800		10800	108%	10	793	1.88	11.18	1.93	11.39	1.98	11.52	2.00	11.66	2.02	11.99	2.06	12.37	2.10
						12	793	1.93	10.88	1.98	11.11	2.02	11.24	2.05	11.39	2.07	11.73	2.11	12.13	2.15
						14	793	1.98	10.59	2.03	10.83	2.07	10.97	2.09	11.13	2.12	11.49	2.16	11.90	2.20
						16	793	2.03	10.31	2.08	10.56	2.12	10.72	2.14	10.88	2.17	11.25	2.21	11.68	2.25
						18	793	2.08	10.04	2.13	10.31	2.17	10.47	2.19	10.64	2.22	11.03	2.26	11.48	2.30
						20	793	2.13	9.79	2.18	10.07	2.23	10.24	2.25	10.42	2.27	10.82	2.31	11.29	2.35
						21	793	2.16	9.66	2.21	9.96	2.25	10.13	2.27	10.31	2.30	10.73	2.34	11.19	2.38
						23	793	2.22	9.43	2.26	9.74	2.31	9.92	2.33	10.11	2.35	10.54	2.39	11.02	2.43
						25	793	2.27	9.20	2.32	9.53	2.36	9.72	2.38	9.92	2.41	10.36	2.45	10.86	2.49
						27	793	2.33	8.99	2.38	9.34	2.42	9.53	2.44	9.74	2.46	10.19	2.50	10.71	2.54
						29	793	2.39	8.80	2.44	9.15	2.48	9.35	2.50	9.57	2.52	10.04	2.56	10.57	2.60
						31	793	2.45	8.61	2.50	8.98	2.54	9.19	2.56	9.41	2.58	9.90	2.62	10.45	2.66
						33	793	2.51	8.44	2.56	8.83	2.60	9.04	2.62	9.27	2.64	9.78	2.69	10.34	2.72
						35	793	2.58	8.28	2.62	8.68	2.67	8.97	2.68	9.14	2.71	9.66	2.75	10.24	2.79
						37	793	2.64	8.13	2.69	8.55	2.73	8.78	2.75	9.03	2.77	9.56	2.81	10.15	2.85
						39	793	2.71	7.99	2.75	8.43	2.80	8.67	2.82	8.92	2.84	9.47	2.88	10.08	2.92
42	793	2.81	7.81	2.85	8.27	2.90	8.52	2.92	8.79	2.94	9.36	2.98	9.99	3.02						
44	793	2.88	7.71	2.92	8.18	2.97	8.44	2.99	8.71	3.01	9.30	3.05	9.95	3.09						
46	793	2.95	7.61	3.00	8.10	3.04	8.37	3.06	8.65	3.08	9.26	3.12	9.92	3.16						
2000	2500	2500		7000	70%	10	6.19	1.48	8.73	1.52	8.89	1.56	8.99	1.57	9.10	1.59	9.36	1.62	9.66	1.66
						12	6.19	1.52	8.49	1.56	8.67	1.59	8.77	1.61	8.89	1.63	9.15	1.66	9.47	1.69
						14	6.19	1.56	8.26	1.60	8.45	1.63	8.56	1.65	8.68	1.67	8.96	1.70	9.29	1.73
						16	6.19	1.60	8.04	1.63	8.24	1.67	8.36	1.69	8.49	1.70	8.78	1.74	9.12	1.77
						18	6.19	1.64	7.83	1.67	8.05	1.71	8.17	1.73	8.31	1.74	8.61	1.78	8.96	1.81
						20	6.19	1.68	7.64	1.72	7.86	1.75	7.99	1.77	8.13	1.79	8.45	1.82	8.81	1.85
						21	6.19	1.70	7.54	1.74	7.77	1.77	7.90	1.79	8.05	1.81	8.37	1.84	8.74	1.87
						23	6.19	1.74	7.36	1.78	7.60	1.82	7.74	1.83	7.89	1.85	8.22	1.88	8.60	1.91
						25	6.19	1.79	7.18	1.83	7.44	1.86	7.58	1.88	7.74	1.89	8.08	1.93	8.47	1.96
						27	6.19	1.83	7.02	1.87	7.29	1.91	7.44	1.92	7.60	1.94	7.96	1.97	8.36	2.00
						29	6.19	1.88	6.86	1.92	7.14	1.95	7.30	1.97	7.47	1.99	7.84	2.02	8.25	2.05
						31	6.19	1.93	6.72	1.97	7.01	2.00	7.17	2.02	7.35	2.03	7.73	2.07	8.15	2.10
						33	6.19	1.98	6.58	2.01	6.89	2.05	7.06	2.07	7.24	2.08	7.63	2.11	8.07	2.14
						35	6.19	2.03	6.46	2.06	6.77	2.10	7.00	2.11	7.13	2.13	7.54	2.16	7.99	2.19
						37	6.19	2.08	6.34	2.11	6.67	2.15	6.85	2.17	7.04	2.18	7.46	2.21	7.92	2.24
						39	6.19	2.13	6.24	2.17	6.58	2.20	6.76	2.22	6.96	2.23	7.39	2.27	7.87	2.30
42	6.19	2.21	6.09	2.25	6.45	2.28	6.65	2.30	6.86	2.31	7.30	2.35	7.80	2.38						
44	6.19	2.27	6.01	2.30	6.38	2.34	6.59	2.35	6.80	2.37	7.26	2.40	7.76	2.43						
46	6.19	2.32	5.94	2.36	6.32	2.39	6.53	2.41	6.75	2.42	7.22	2.46	7.74	2.49						

12. Capacity Table

Combination (Capacity Index)				Combination (Total)	Combination (%)	Outdoor Temperature (°C, DB)	Indoor Temperature(°C, WB)													
							14		16		18		19		20		22		24	
							TC(kW)	PI(kW)	TC(kW)	PI(kW)	TC(kW)	PI(kW)	TC(kW)	PI(kW)	TC(kW)	PI(kW)	TC(kW)	PI(kW)	TC(kW)	PI(kW)
2000	2500	3500		8000	80%	10	7.07	1.65	9.97	1.69	10.16	1.73	10.28	1.75	10.40	1.77	10.69	1.81	11.03	1.85
						12	7.07	1.69	9.70	1.73	9.90	1.77	10.02	1.79	10.16	1.81	10.46	1.85	10.82	1.89
						14	7.07	1.74	9.44	1.78	9.66	1.82	9.79	1.84	9.93	1.86	10.24	1.89	10.61	1.93
						16	7.07	1.78	9.19	1.82	9.42	1.86	9.56	1.88	9.70	1.90	10.04	1.94	10.42	1.97
						18	7.07	1.82	8.95	1.87	9.20	1.91	9.34	1.92	9.49	1.94	9.84	1.98	10.24	2.02
						20	7.07	1.87	8.73	1.91	8.99	1.95	9.13	1.97	9.29	1.99	9.65	2.03	10.06	2.06
						21	7.07	1.89	8.62	1.94	8.88	1.97	9.03	1.99	9.20	2.01	9.57	2.05	9.98	2.08
						23	7.07	1.94	8.41	1.98	8.69	2.02	8.84	2.04	9.02	2.06	9.40	2.10	9.83	2.13
						25	7.07	1.99	8.21	2.03	8.50	2.07	8.67	2.09	8.84	2.11	9.24	2.15	9.68	2.18
						27	7.07	2.04	8.02	2.08	8.33	2.12	8.50	2.14	8.68	2.16	9.09	2.20	9.55	2.23
						29	7.07	2.10	7.84	2.14	8.16	2.17	8.34	2.19	8.53	2.21	8.96	2.25	9.43	2.28
						31	7.07	2.15	7.68	2.19	8.01	2.23	8.20	2.25	8.40	2.26	8.83	2.30	9.32	2.34
						33	7.07	2.20	7.52	2.24	7.87	2.28	8.06	2.30	8.27	2.32	8.72	2.35	9.22	2.39
						35	7.07	2.26	7.38	2.30	7.74	2.34	8.00	2.35	8.15	2.37	8.62	2.41	9.13	2.44
						37	7.07	2.32	7.25	2.36	7.62	2.39	7.83	2.41	8.05	2.43	8.53	2.47	9.05	2.50
						39	7.07	2.37	7.13	2.41	7.52	2.45	7.73	2.47	7.96	2.49	8.45	2.52	8.99	2.56
42	7.07	2.46	6.97	2.50	7.38	2.54	7.60	2.56	7.84	2.58	8.35	2.61	8.91	2.65						
44	7.07	2.53	6.87	2.56	7.30	2.60	7.53	2.62	7.77	2.64	8.30	2.67	8.87	2.71						
46	7.07	2.59	6.79	2.63	7.23	2.66	7.46	2.68	7.72	2.70	8.25	2.74	8.85	2.77						
2000	2500	5000		9500	95%	10	7.76	1.83	10.95	1.88	11.15	1.92	11.28	1.95	11.42	1.97	11.73	2.01	12.11	2.05
						12	7.76	1.88	10.65	1.93	10.87	1.97	11.00	1.99	11.15	2.01	11.48	2.06	11.87	2.10
						14	7.76	1.93	10.36	1.97	10.60	2.02	10.74	2.04	10.89	2.06	11.24	2.10	11.65	2.14
						16	7.76	1.98	10.09	2.02	10.34	2.07	10.49	2.09	10.65	2.11	11.01	2.15	11.44	2.19
						18	7.76	2.03	9.83	2.07	10.10	2.12	10.25	2.14	10.42	2.16	10.80	2.20	11.23	2.24
						20	7.76	2.08	9.58	2.12	9.86	2.17	10.02	2.19	10.20	2.21	10.60	2.25	11.05	2.29
						21	7.76	2.10	9.46	2.15	9.75	2.19	9.92	2.21	10.10	2.24	10.50	2.28	10.96	2.32
						23	7.76	2.16	9.23	2.20	9.53	2.25	9.71	2.27	9.90	2.29	10.31	2.33	10.79	2.37
						25	7.76	2.21	9.01	2.26	9.33	2.30	9.51	2.32	9.71	2.34	10.14	2.38	10.63	2.42
						27	7.76	2.27	8.80	2.31	9.14	2.36	9.33	2.38	9.53	2.40	9.98	2.44	10.48	2.48
						29	7.76	2.33	8.61	2.37	8.96	2.41	9.16	2.44	9.37	2.46	9.83	2.50	10.35	2.54
						31	7.76	2.39	8.43	2.43	8.79	2.47	9.00	2.49	9.22	2.52	9.69	2.56	10.23	2.59
						33	7.76	2.45	8.26	2.49	8.64	2.53	8.85	2.55	9.08	2.58	9.57	2.61	10.12	2.65
						35	7.76	2.51	8.10	2.55	8.50	2.60	8.78	2.61	8.95	2.64	9.46	2.68	10.02	2.71
						37	7.76	2.57	7.95	2.62	8.37	2.66	8.59	2.68	8.83	2.70	9.36	2.74	9.94	2.78
						39	7.76	2.64	7.82	2.68	8.25	2.72	8.48	2.74	8.73	2.76	9.27	2.80	9.87	2.84
42	7.76	2.74	7.64	2.78	8.09	2.82	8.34	2.84	8.60	2.86	9.16	2.90	9.78	2.94						
44	7.76	2.80	7.54	2.85	8.01	2.89	8.26	2.91	8.53	2.93	9.10	2.97	9.74	3.01						
46	7.76	2.87	7.45	2.92	7.93	2.96	8.19	2.98	8.47	3.00	9.06	3.04	9.71	3.08						

12. Capacity Table

Combination (Capacity Index)				Combination (Total)	Combination (%)	Outdoor Temperature (°C, DB)	Indoor Temperature(°C, WB)													
							14		16		18		19		20		22		24	
							TC(kW)	PI(kW)	TC(kW)	PI(kW)	TC(kW)	PI(kW)	TC(kW)	PI(kW)	TC(kW)	PI(kW)	TC(kW)	PI(kW)	TC(kW)	PI(kW)
2000	2500	6800		11300	113%	10	7.74	1.88	10.92	1.93	11.13	1.98	11.25	2.00	11.39	2.02	11.71	2.06	12.08	2.10
						12	7.74	1.93	10.62	1.98	10.85	2.02	10.98	2.05	11.12	2.07	11.46	2.11	11.85	2.15
						14	7.74	1.98	10.34	2.03	10.58	2.07	10.71	2.09	10.87	2.12	11.22	2.16	11.62	2.20
						16	7.74	2.03	10.07	2.08	10.32	2.12	10.46	2.14	10.63	2.17	10.99	2.21	11.41	2.25
						18	7.74	2.08	9.80	2.13	10.07	2.17	10.23	2.19	10.40	2.22	10.77	2.26	11.21	2.30
						20	7.74	2.13	9.56	2.18	9.84	2.23	10.00	2.25	10.18	2.27	10.57	2.31	11.02	2.35
						21	7.74	2.16	9.44	2.21	9.73	2.25	9.89	2.27	10.07	2.30	10.47	2.34	10.93	2.38
						23	7.74	2.22	9.21	2.26	9.51	2.31	9.69	2.33	9.87	2.35	10.29	2.39	10.76	2.43
						25	7.74	2.27	8.99	2.32	9.31	2.36	9.49	2.38	9.68	2.41	10.12	2.45	10.60	2.49
						27	7.74	2.33	8.78	2.38	9.12	2.42	9.31	2.44	9.51	2.46	9.96	2.50	10.46	2.54
						29	7.74	2.39	8.59	2.44	8.94	2.48	9.14	2.50	9.35	2.52	9.81	2.56	10.33	2.60
						31	7.74	2.45	8.41	2.50	8.77	2.54	8.98	2.56	9.19	2.58	9.67	2.62	10.20	2.66
						33	7.74	2.51	8.24	2.56	8.62	2.60	8.83	2.62	9.06	2.64	9.55	2.69	10.10	2.72
						35	7.74	2.58	8.08	2.62	8.48	2.67	8.76	2.68	8.93	2.71	9.44	2.75	10.00	2.79
						37	7.74	2.64	7.94	2.69	8.35	2.73	8.57	2.75	8.81	2.77	9.34	2.81	9.92	2.85
						39	7.74	2.71	7.80	2.75	8.23	2.80	8.46	2.82	8.71	2.84	9.25	2.88	9.84	2.92
42	7.74	2.81	7.63	2.85	8.08	2.90	8.32	2.92	8.58	2.94	9.14	2.98	9.76	3.02						
44	7.74	2.88	7.53	2.92	7.99	2.97	8.24	2.99	8.51	3.01	9.08	3.05	9.72	3.09						
46	7.74	2.95	7.43	3.00	7.91	3.04	8.17	3.06	8.45	3.08	9.04	3.12	9.69	3.16						
2000	3500	3500		9000	90%	10	7.68	1.83	10.83	1.87	11.04	1.92	11.16	1.94	11.30	1.96	11.61	2.00	11.99	2.04
						12	7.68	1.87	10.54	1.92	10.76	1.96	10.89	1.98	11.03	2.01	11.36	2.05	11.75	2.09
						14	7.68	1.92	10.26	1.97	10.49	2.01	10.63	2.03	10.78	2.05	11.13	2.09	11.53	2.13
						16	7.68	1.97	9.99	2.01	10.24	2.06	10.38	2.08	10.54	2.10	10.90	2.14	11.32	2.18
						18	7.68	2.02	9.73	2.06	9.99	2.11	10.14	2.13	10.31	2.15	10.69	2.19	11.12	2.23
						20	7.68	2.07	9.48	2.12	9.76	2.16	9.92	2.18	10.10	2.20	10.49	2.24	10.93	2.28
						21	7.68	2.10	9.36	2.14	9.65	2.18	9.81	2.21	9.99	2.23	10.39	2.27	10.84	2.31
						23	7.68	2.15	9.13	2.19	9.44	2.24	9.61	2.26	9.79	2.28	10.21	2.32	10.68	2.36
						25	7.68	2.20	8.92	2.25	9.23	2.29	9.41	2.31	9.61	2.33	10.04	2.37	10.52	2.41
						27	7.68	2.26	8.71	2.31	9.05	2.35	9.23	2.37	9.43	2.39	9.88	2.43	10.38	2.47
						29	7.68	2.32	8.52	2.36	8.87	2.41	9.06	2.43	9.27	2.45	9.73	2.49	10.24	2.53
						31	7.68	2.38	8.34	2.42	8.70	2.46	8.91	2.49	9.12	2.51	9.59	2.55	10.12	2.58
						33	7.68	2.44	8.17	2.48	8.55	2.52	8.76	2.55	8.98	2.57	9.47	2.60	10.02	2.64
						35	7.68	2.50	8.02	2.54	8.41	2.59	8.69	2.60	8.86	2.63	9.36	2.67	9.92	2.70
						37	7.68	2.56	7.87	2.61	8.28	2.65	8.51	2.67	8.74	2.69	9.26	2.73	9.84	2.77
						39	7.68	2.63	7.74	2.67	8.16	2.71	8.40	2.73	8.64	2.75	9.18	2.79	9.76	2.83
42	7.68	2.73	7.57	2.77	8.01	2.81	8.25	2.83	8.51	2.85	9.07	2.89	9.68	2.93						
44	7.68	2.79	7.46	2.84	7.92	2.88	8.18	2.90	8.44	2.92	9.01	2.96	9.64	2.99						
46	7.68	2.86	7.38	2.91	7.85	2.95	8.11	2.97	8.38	2.99	8.97	3.03	9.61	3.06						

12. Capacity Table

Combination (Capacity Index)				Combination (Total)	Combination (%)	Outdoor Temperature (°C, DB)	Indoor Temperature(°C, WB)													
							14		16		18		19		20		22		24	
							TC(kW)	PI(kW)	TC(kW)	PI(kW)	TC(kW)	PI(kW)	TC(kW)	PI(kW)	TC(kW)	PI(kW)	TC(kW)	PI(kW)	TC(kW)	PI(kW)
2000	3500	5000		10500	105%	10	7.89	1.87	11.13	1.92	11.34	1.96	11.47	1.98	11.61	2.01	11.94	2.05	12.32	2.09
						12	7.89	1.92	10.83	1.96	11.06	2.01	11.19	2.03	11.34	2.05	11.68	2.09	12.08	2.14
						14	7.89	1.96	10.54	2.01	10.78	2.06	10.92	2.08	11.08	2.10	11.43	2.14	11.85	2.18
						16	7.89	2.01	10.26	2.06	10.52	2.11	10.67	2.13	10.83	2.15	11.20	2.19	11.63	2.23
						18	7.89	2.06	10.00	2.11	10.27	2.16	10.43	2.18	10.60	2.20	10.98	2.24	11.43	2.28
						20	7.89	2.12	9.74	2.16	10.03	2.21	10.19	2.23	10.37	2.25	10.78	2.29	11.23	2.33
						21	7.89	2.14	9.62	2.19	9.92	2.24	10.08	2.26	10.27	2.28	10.68	2.32	11.14	2.36
						23	7.89	2.20	9.39	2.25	9.70	2.29	9.87	2.31	10.06	2.33	10.49	2.37	10.97	2.41
						25	7.89	2.26	9.16	2.30	9.49	2.35	9.67	2.37	9.87	2.39	10.31	2.43	10.81	2.47
						27	7.89	2.31	8.95	2.36	9.29	2.40	9.49	2.42	9.69	2.45	10.15	2.49	10.66	2.53
						29	7.89	2.37	8.76	2.42	9.11	2.46	9.31	2.48	9.53	2.50	10.00	2.54	10.53	2.58
						31	7.89	2.43	8.57	2.48	8.94	2.52	9.15	2.54	9.37	2.56	9.86	2.60	10.40	2.64
						33	7.89	2.49	8.40	2.54	8.79	2.58	9.00	2.60	9.23	2.62	9.73	2.67	10.29	2.70
						35	7.89	2.56	8.24	2.60	8.64	2.65	8.93	2.66	9.10	2.69	9.62	2.73	10.19	2.77
						37	7.89	2.62	8.09	2.67	8.51	2.71	8.74	2.73	8.98	2.75	9.52	2.79	10.11	2.83
						39	7.89	2.69	7.96	2.73	8.39	2.78	8.63	2.80	8.88	2.82	9.43	2.86	10.03	2.89
						42	7.89	2.79	7.78	2.83	8.23	2.88	8.48	2.90	8.75	2.92	9.32	2.96	9.95	3.00
44	7.89	2.86	7.67	2.90	8.14	2.95	8.40	2.97	8.67	2.99	9.26	3.03	9.90	3.06						
46	7.89	2.93	7.58	2.97	8.07	3.02	8.33	3.04	8.61	3.06	9.21	3.10	9.87	3.13						
2000	3500	6800		12300	123%	10	7.92	1.92	11.17	1.97	11.38	2.01	11.51	2.04	11.65	2.06	11.98	2.10	12.36	2.14
						12	7.92	1.97	10.87	2.01	11.09	2.06	11.23	2.08	11.38	2.11	11.72	2.15	12.12	2.19
						14	7.92	2.02	10.57	2.06	10.82	2.11	10.96	2.13	11.12	2.16	11.47	2.20	11.89	2.24
						16	7.92	2.07	10.30	2.11	10.55	2.16	10.70	2.18	10.87	2.21	11.24	2.25	11.67	2.29
						18	7.92	2.12	10.03	2.17	10.30	2.21	10.46	2.24	10.63	2.26	11.02	2.30	11.46	2.34
						20	7.92	2.17	9.77	2.22	10.06	2.27	10.23	2.29	10.41	2.31	10.81	2.35	11.27	2.39
						21	7.92	2.20	9.65	2.25	9.95	2.29	10.12	2.32	10.30	2.34	10.71	2.38	11.18	2.42
						23	7.92	2.26	9.42	2.30	9.73	2.35	9.91	2.37	10.10	2.39	10.52	2.44	11.01	2.48
						25	7.92	2.31	9.19	2.36	9.52	2.41	9.71	2.43	9.91	2.45	10.35	2.49	10.85	2.53
						27	7.92	2.37	8.98	2.42	9.33	2.47	9.52	2.49	9.73	2.51	10.18	2.55	10.70	2.59
						29	7.92	2.43	8.79	2.48	9.14	2.53	9.34	2.55	9.56	2.57	10.03	2.61	10.56	2.65
						31	7.92	2.50	8.60	2.54	8.97	2.59	9.18	2.61	9.40	2.63	9.89	2.67	10.44	2.71
						33	7.92	2.56	8.43	2.61	8.82	2.65	9.03	2.67	9.26	2.69	9.77	2.74	10.33	2.78
						35	7.92	2.62	8.27	2.67	8.67	2.71	8.96	2.73	9.13	2.76	9.65	2.80	10.23	2.84
						37	7.92	2.69	8.12	2.74	8.54	2.78	8.77	2.80	9.02	2.82	9.55	2.86	10.14	2.90
						39	7.92	2.76	7.98	2.80	8.42	2.85	8.66	2.87	8.91	2.89	9.46	2.93	10.07	2.97
						42	7.92	2.86	7.80	2.91	8.26	2.95	8.51	2.97	8.78	2.99	9.35	3.04	9.98	3.07
44	7.92	2.93	7.70	2.98	8.17	3.02	8.43	3.04	8.70	3.07	9.29	3.11	9.94	3.14						
46	7.92	3.01	7.60	3.05	8.09	3.10	8.36	3.12	8.64	3.14	9.25	3.18	9.91	3.22						

12. Capacity Table

Combination (Capacity Index)				Combination (Total)	Combination (%)	Outdoor Temperature (°C, DB)	Indoor Temperature(°C, WB)													
							14		16		18		19		20		22		24	
							TC(kW)	PI(kW)	TC(kW)	PI(kW)	TC(kW)	PI(kW)	TC(kW)	PI(kW)	TC(kW)	PI(kW)	TC(kW)	PI(kW)	TC(kW)	PI(kW)
2000	5000	5000		12000	120%	10	7.87	1.91	11.09	1.96	11.30	2.01	11.43	2.03	11.57	2.05	11.90	2.09	12.28	2.14
						12	7.87	1.96	10.79	2.01	11.02	2.05	11.15	2.08	11.30	2.10	11.64	2.14	12.04	2.18
						14	7.87	2.01	10.50	2.06	10.74	2.10	10.89	2.13	11.04	2.15	11.40	2.19	11.81	2.23
						16	7.87	2.06	10.23	2.11	10.48	2.15	10.63	2.18	10.80	2.20	11.17	2.24	11.59	2.28
						18	7.87	2.11	9.96	2.16	10.23	2.21	10.39	2.23	10.56	2.25	10.95	2.29	11.39	2.33
						20	7.87	2.17	9.71	2.21	10.00	2.26	10.16	2.28	10.34	2.30	10.74	2.35	11.20	2.39
						21	7.87	2.19	9.59	2.24	9.88	2.29	10.05	2.31	10.23	2.33	10.64	2.37	11.11	2.41
						23	7.87	2.25	9.35	2.30	9.66	2.34	9.84	2.36	10.03	2.39	10.45	2.43	10.93	2.47
						25	7.87	2.31	9.13	2.35	9.46	2.40	9.64	2.42	9.84	2.44	10.28	2.48	10.77	2.52
						27	7.87	2.36	8.92	2.41	9.26	2.46	9.46	2.48	9.66	2.50	10.12	2.54	10.63	2.58
						29	7.87	2.43	8.73	2.47	9.08	2.52	9.28	2.54	9.50	2.56	9.96	2.60	10.49	2.64
						31	7.87	2.49	8.54	2.53	8.91	2.58	9.12	2.60	9.34	2.62	9.83	2.66	10.37	2.70
						33	7.87	2.55	8.37	2.60	8.76	2.64	8.97	2.66	9.20	2.68	9.70	2.73	10.26	2.76
						35	7.87	2.61	8.21	2.66	8.61	2.71	8.90	2.72	9.07	2.75	9.59	2.79	10.16	2.83
						37	7.87	2.68	8.06	2.73	8.48	2.77	8.71	2.79	8.95	2.81	9.49	2.85	10.07	2.89
						39	7.87	2.75	7.93	2.79	8.36	2.84	8.60	2.86	8.85	2.88	9.40	2.92	10.00	2.96
42	7.87	2.85	7.75	2.90	8.20	2.94	8.45	2.96	8.72	2.98	9.29	3.02	9.91	3.06						
44	7.87	2.92	7.65	2.97	8.12	3.01	8.37	3.03	8.64	3.05	9.23	3.09	9.87	3.13						
46	7.87	3.00	7.55	3.04	8.04	3.08	8.30	3.11	8.58	3.13	9.18	3.17	9.84	3.20						
2000	5000	6800		13800	138%	10	10.41	1.99	10.82	2.04	11.24	2.08	11.45	2.10	11.66	2.12	12.08	2.16	12.52	2.21
						12	10.23	2.05	10.64	2.09	11.06	2.13	11.27	2.15	11.48	2.17	11.91	2.22	12.34	2.26
						14	10.05	2.10	10.46	2.14	10.88	2.19	11.09	2.21	11.30	2.23	11.73	2.27	12.16	2.32
						16	9.87	2.16	10.28	2.20	10.70	2.24	10.91	2.26	11.12	2.29	11.55	2.33	11.99	2.37
						18	9.69	2.21	10.10	2.26	10.52	2.30	10.73	2.32	10.95	2.34	11.38	2.39	11.81	2.43
						20	9.51	2.27	9.93	2.31	10.34	2.36	10.56	2.38	10.77	2.40	11.20	2.45	11.64	2.49
						21	9.42	2.30	9.84	2.34	10.26	2.39	10.47	2.41	10.68	2.43	11.11	2.47	11.55	2.52
						23	9.24	2.36	9.66	2.40	10.08	2.45	10.29	2.47	10.51	2.49	10.94	2.53	11.38	2.58
						25	9.07	2.42	9.48	2.46	9.90	2.51	10.12	2.53	10.33	2.55	10.76	2.60	11.20	2.64
						27	8.89	2.48	9.31	2.52	9.73	2.57	9.94	2.59	10.16	2.61	10.59	2.66	11.03	2.70
						29	8.71	2.54	9.13	2.58	9.55	2.63	9.77	2.65	9.98	2.68	10.42	2.72	10.86	2.77
						31	8.54	2.60	8.95	2.65	9.38	2.69	9.59	2.72	9.81	2.74	10.24	2.78	10.68	2.83
						33	8.36	2.67	8.78	2.71	9.20	2.76	9.42	2.78	9.63	2.80	10.07	2.85	10.51	2.89
						35	8.18	2.73	8.60	2.78	9.03	2.82	9.26	2.84	9.46	2.87	9.90	2.92	10.34	2.96
						37	8.01	2.80	8.43	2.84	8.85	2.89	9.07	2.91	9.29	2.94	9.72	2.98	10.17	3.03
						39	7.84	2.86	8.26	2.91	8.68	2.96	8.90	2.98	9.11	3.00	9.55	3.05	10.00	3.10
42	7.57	2.97	8.00	3.01	8.42	3.06	8.64	3.08	8.86	3.11	9.30	3.15	9.74	3.20						
44	7.40	3.03	7.82	3.08	8.25	3.13	8.47	3.15	8.69	3.18	9.13	3.22	9.57	3.27						
46	7.23	3.11	7.65	3.15	8.08	3.20	8.30	3.22	8.52	3.25	8.96	3.30	9.40	3.34						

12. Capacity Table

Combination (Capacity Index)				Combination (Total)	Combination (%)	Outdoor Temperature (°C, DB)	Indoor Temperature(°C, WB)													
							14		16		18		19		20		22		24	
							TC(kW)	PI(kW)	TC(kW)	PI(kW)	TC(kW)	PI(kW)	TC(kW)	PI(kW)	TC(kW)	PI(kW)	TC(kW)	PI(kW)	TC(kW)	PI(kW)
2000	6800	6800		15600	156%	10	11.02	2.01	11.45	2.05	11.89	2.09	12.11	2.11	12.34	2.14	12.79	2.18	13.25	2.22
						12	10.83	2.06	11.26	2.10	11.70	2.15	11.92	2.17	12.15	2.19	12.60	2.23	13.06	2.28
						14	10.64	2.12	11.07	2.16	11.51	2.20	11.74	2.22	11.96	2.25	12.41	2.29	12.87	2.33
						16	10.45	2.17	10.88	2.21	11.32	2.26	11.55	2.28	11.77	2.30	12.23	2.35	12.69	2.39
						18	10.26	2.23	10.69	2.27	11.14	2.32	11.36	2.34	11.58	2.36	12.04	2.40	12.50	2.45
						20	10.07	2.29	10.50	2.33	10.95	2.37	11.17	2.40	11.40	2.42	11.85	2.46	12.32	2.51
						21	9.97	2.31	10.41	2.36	10.85	2.40	11.08	2.43	11.30	2.45	11.76	2.49	12.22	2.54
						23	9.78	2.37	10.22	2.42	10.67	2.46	10.89	2.49	11.12	2.51	11.58	2.55	12.04	2.60
						25	9.60	2.43	10.03	2.48	10.48	2.52	10.71	2.55	10.93	2.57	11.39	2.61	11.86	2.66
						27	9.41	2.50	9.85	2.54	10.29	2.59	10.52	2.61	10.75	2.63	11.21	2.68	11.67	2.72
						29	9.22	2.56	9.66	2.60	10.11	2.65	10.33	2.67	10.56	2.69	11.02	2.74	11.49	2.79
						31	9.03	2.62	9.48	2.67	9.92	2.71	10.15	2.74	10.38	2.76	10.84	2.80	11.31	2.85
						33	8.85	2.69	9.29	2.73	9.74	2.78	9.97	2.80	10.19	2.82	10.66	2.87	11.12	2.92
						35	8.66	2.75	9.11	2.80	9.55	2.84	9.80	2.86	10.01	2.89	10.47	2.94	10.94	2.98
						37	8.48	2.82	8.92	2.86	9.37	2.91	9.60	2.93	9.83	2.96	10.29	3.00	10.76	3.05
						39	8.29	2.88	8.74	2.93	9.19	2.98	9.42	3.00	9.65	3.02	10.11	3.07	10.58	3.12
42	8.02	2.99	8.46	3.03	8.91	3.08	9.14	3.10	9.37	3.13	9.84	3.18	10.31	3.22						
44	7.83	3.06	8.28	3.10	8.73	3.15	8.96	3.18	9.19	3.20	9.66	3.25	10.13	3.29						
46	7.65	3.13	8.10	3.17	8.55	3.22	8.78	3.25	9.01	3.27	9.48	3.32	9.95	3.37						
2500	2500	2500		7500	75%	10	6.63	1.58	9.35	1.62	9.53	1.66	9.63	1.68	9.75	1.70	10.02	1.73	10.34	1.77
						12	6.63	1.62	9.10	1.66	9.29	1.70	9.40	1.72	9.52	1.74	9.81	1.77	10.14	1.81
						14	6.63	1.66	8.85	1.70	9.05	1.74	9.17	1.76	9.30	1.78	9.60	1.81	9.95	1.85
						16	6.63	1.70	8.62	1.74	8.83	1.78	8.96	1.80	9.10	1.82	9.41	1.85	9.77	1.89
						18	6.63	1.75	8.39	1.79	8.62	1.82	8.76	1.84	8.90	1.86	9.22	1.90	9.60	1.93
						20	6.63	1.79	8.18	1.83	8.42	1.87	8.56	1.89	8.71	1.90	9.05	1.94	9.44	1.97
						21	6.63	1.81	8.08	1.85	8.33	1.89	8.47	1.91	8.62	1.93	8.97	1.96	9.36	2.00
						23	6.63	1.86	7.88	1.90	8.14	1.94	8.29	1.96	8.45	1.97	8.81	2.01	9.21	2.04
						25	6.63	1.91	7.70	1.95	7.97	1.98	8.12	2.00	8.29	2.02	8.66	2.05	9.08	2.09
						27	6.63	1.96	7.52	1.99	7.81	2.03	7.97	2.05	8.14	2.07	8.52	2.10	8.95	2.14
						29	6.63	2.01	7.35	2.04	7.65	2.08	7.82	2.10	8.00	2.12	8.40	2.15	8.84	2.19
						31	6.63	2.06	7.20	2.10	7.51	2.13	7.69	2.15	7.87	2.17	8.28	2.20	8.74	2.24
						33	6.63	2.11	7.05	2.15	7.38	2.18	7.56	2.20	7.75	2.22	8.17	2.25	8.64	2.29
						35	6.63	2.16	6.92	2.20	7.26	2.24	7.50	2.25	7.64	2.27	8.08	2.31	8.56	2.34
						37	6.63	2.22	6.79	2.26	7.15	2.29	7.34	2.31	7.55	2.33	7.99	2.36	8.49	2.39
						39	6.63	2.27	6.68	2.31	7.05	2.35	7.25	2.37	7.46	2.38	7.92	2.42	8.43	2.45
42	6.63	2.36	6.53	2.40	6.91	2.43	7.12	2.45	7.35	2.47	7.83	2.50	8.35	2.53						
44	6.63	2.42	6.44	2.46	6.84	2.49	7.06	2.51	7.28	2.53	7.78	2.56	8.32	2.59						
46	6.63	2.48	6.37	2.52	6.78	2.55	7.00	2.57	7.23	2.59	7.74	2.62	8.29	2.65						

12. Capacity Table

Combination (Capacity Index)				Combination (Total)	Combination (%)	Outdoor Temperature (°C, DB)	Indoor Temperature(°C, WB)													
							14		16		18		19		20		22		24	
							TC(kW)	PI(kW)	TC(kW)	PI(kW)	TC(kW)	PI(kW)	TC(kW)	PI(kW)	TC(kW)	PI(kW)	TC(kW)	PI(kW)	TC(kW)	PI(kW)
2500	2500	3500		8500	85%	10	7.51	1.76	10.60	1.80	10.80	1.84	10.92	1.86	11.05	1.89	11.36	1.93	11.72	1.96
						12	7.51	1.80	10.31	1.84	10.52	1.89	10.65	1.91	10.79	1.93	11.12	1.97	11.49	2.01
						14	7.51	1.85	10.03	1.89	10.26	1.93	10.40	1.95	10.55	1.97	10.88	2.01	11.28	2.05
						16	7.51	1.89	9.77	1.94	10.01	1.98	10.15	2.00	10.31	2.02	10.66	2.06	11.07	2.10
						18	7.51	1.94	9.51	1.98	9.77	2.03	9.92	2.05	10.09	2.07	10.45	2.11	10.88	2.14
						20	7.51	1.99	9.27	2.03	9.55	2.08	9.70	2.10	9.87	2.12	10.26	2.16	10.69	2.19
						21	7.51	2.02	9.16	2.06	9.44	2.10	9.60	2.12	9.77	2.14	10.16	2.18	10.61	2.22
						23	7.51	2.07	8.93	2.11	9.23	2.15	9.40	2.17	9.58	2.19	9.98	2.23	10.44	2.27
						25	7.51	2.12	8.72	2.16	9.03	2.20	9.21	2.22	9.40	2.24	9.82	2.28	10.29	2.32
						27	7.51	2.17	8.52	2.22	8.85	2.26	9.03	2.28	9.23	2.30	9.66	2.34	10.15	2.37
						29	7.51	2.23	8.33	2.27	8.67	2.31	8.86	2.33	9.07	2.35	9.52	2.39	10.02	2.43
						31	7.51	2.29	8.16	2.33	8.51	2.37	8.71	2.39	8.92	2.41	9.38	2.45	9.90	2.48
						33	7.51	2.34	7.99	2.39	8.36	2.43	8.57	2.45	8.79	2.47	9.26	2.50	9.80	2.54
						35	7.51	2.40	7.84	2.45	8.23	2.49	8.50	2.50	8.66	2.53	9.16	2.56	9.70	2.60
						37	7.51	2.46	7.70	2.51	8.10	2.55	8.32	2.57	8.55	2.59	9.06	2.62	9.62	2.66
						39	7.51	2.53	7.57	2.57	7.99	2.61	8.21	2.63	8.45	2.65	8.97	2.68	9.55	2.72
42	7.51	2.62	7.40	2.66	7.84	2.70	8.07	2.72	8.33	2.74	8.87	2.78	9.47	2.82						
44	7.51	2.69	7.30	2.73	7.75	2.77	8.00	2.79	8.26	2.81	8.81	2.84	9.43	2.88						
46	7.51	2.75	7.21	2.79	7.68	2.83	7.93	2.85	8.20	2.87	8.77	2.91	9.40	2.95						
2500	2500	5000		10000	100%	10	7.82	1.83	11.03	1.88	11.24	1.92	11.37	1.95	11.51	1.97	11.83	2.01	12.21	2.05
						12	7.82	1.88	10.73	1.93	10.96	1.97	11.09	1.99	11.24	2.01	11.57	2.06	11.97	2.10
						14	7.82	1.93	10.44	1.97	10.68	2.02	10.82	2.04	10.98	2.06	11.33	2.10	11.74	2.14
						16	7.82	1.98	10.17	2.02	10.42	2.07	10.57	2.09	10.73	2.11	11.10	2.15	11.53	2.19
						18	7.82	2.03	9.91	2.07	10.18	2.12	10.33	2.14	10.50	2.16	10.88	2.20	11.32	2.24
						20	7.82	2.08	9.65	2.12	9.94	2.17	10.10	2.19	10.28	2.21	10.68	2.25	11.13	2.29
						21	7.82	2.10	9.53	2.15	9.83	2.19	9.99	2.21	10.18	2.24	10.58	2.28	11.04	2.32
						23	7.82	2.16	9.30	2.20	9.61	2.25	9.78	2.27	9.97	2.29	10.39	2.33	10.87	2.37
						25	7.82	2.21	9.08	2.26	9.40	2.30	9.59	2.32	9.78	2.34	10.22	2.38	10.71	2.42
						27	7.82	2.27	8.87	2.31	9.21	2.36	9.40	2.38	9.61	2.40	10.06	2.44	10.57	2.48
						29	7.82	2.33	8.68	2.37	9.03	2.41	9.23	2.44	9.44	2.46	9.91	2.50	10.43	2.54
						31	7.82	2.39	8.49	2.43	8.86	2.47	9.07	2.49	9.29	2.52	9.77	2.56	10.31	2.59
						33	7.82	2.45	8.32	2.49	8.71	2.53	8.92	2.55	9.15	2.58	9.65	2.61	10.20	2.65
						35	7.82	2.51	8.16	2.55	8.56	2.60	8.85	2.61	9.02	2.64	9.53	2.68	10.10	2.71
						37	7.82	2.57	8.02	2.62	8.43	2.66	8.66	2.68	8.90	2.70	9.43	2.74	10.02	2.78
						39	7.82	2.64	7.88	2.68	8.31	2.72	8.55	2.74	8.80	2.76	9.34	2.80	9.94	2.84
42	7.82	2.74	7.71	2.78	8.16	2.82	8.41	2.84	8.67	2.86	9.23	2.90	9.86	2.94						
44	7.82	2.80	7.60	2.85	8.07	2.89	8.33	2.91	8.60	2.93	9.18	2.97	9.82	3.01						
46	7.82	2.87	7.51	2.92	8.00	2.96	8.26	2.98	8.54	3.00	9.13	3.04	9.79	3.08						

12. Capacity Table

Combination (Capacity Index)				Combination (Total)	Combination (%)	Outdoor Temperature (°C,DB)	Indoor Temperature(°C, WB)													
							14		16		18		19		20		22		24	
							TC(kW)	PI(kW)	TC(kW)	PI(kW)	TC(kW)	PI(kW)	TC(kW)	PI(kW)	TC(kW)	PI(kW)	TC(kW)	PI(kW)	TC(kW)	PI(kW)
2500	2500	6800		11800	118%	10	7.84	1.91	11.06	1.96	11.27	2.01	11.39	2.03	11.53	2.05	11.86	2.09	12.23	2.14
						12	7.84	1.96	10.76	2.01	10.98	2.05	11.11	2.08	11.26	2.10	11.60	2.14	11.99	2.18
						14	7.84	2.01	10.47	2.06	10.71	2.10	10.85	2.13	11.00	2.15	11.36	2.19	11.77	2.23
						16	7.84	2.06	10.19	2.11	10.45	2.15	10.60	2.18	10.76	2.20	11.13	2.24	11.55	2.28
						18	7.84	2.11	9.93	2.16	10.20	2.21	10.36	2.23	10.53	2.25	10.91	2.29	11.35	2.33
						20	7.84	2.17	9.68	2.21	9.96	2.26	10.13	2.28	10.30	2.30	10.70	2.35	11.16	2.39
						21	7.84	2.19	9.56	2.24	9.85	2.29	10.02	2.31	10.20	2.33	10.61	2.37	11.07	2.41
						23	7.84	2.25	9.32	2.30	9.63	2.34	9.81	2.36	10.00	2.39	10.42	2.43	10.90	2.47
						25	7.84	2.31	9.10	2.35	9.43	2.40	9.61	2.42	9.81	2.44	10.24	2.48	10.74	2.52
						27	7.84	2.36	8.89	2.41	9.23	2.46	9.42	2.48	9.63	2.50	10.08	2.54	10.59	2.58
						29	7.84	2.43	8.70	2.47	9.05	2.52	9.25	2.54	9.46	2.56	9.93	2.60	10.46	2.64
						31	7.84	2.49	8.51	2.53	8.88	2.58	9.09	2.60	9.31	2.62	9.79	2.66	10.33	2.70
						33	7.84	2.55	8.34	2.60	8.73	2.64	8.94	2.66	9.17	2.68	9.67	2.73	10.22	2.76
						35	7.84	2.61	8.18	2.66	8.58	2.71	8.87	2.72	9.04	2.75	9.55	2.79	10.13	2.83
						37	7.84	2.68	8.04	2.73	8.45	2.77	8.68	2.79	8.92	2.81	9.45	2.85	10.04	2.89
						39	7.84	2.75	7.90	2.79	8.33	2.84	8.57	2.86	8.82	2.88	9.37	2.92	9.97	2.96
42	7.84	2.85	7.72	2.90	8.18	2.94	8.43	2.96	8.69	2.98	9.26	3.02	9.88	3.06						
44	7.84	2.92	7.62	2.97	8.09	3.01	8.35	3.03	8.62	3.05	9.20	3.09	9.84	3.13						
46	7.84	3.00	7.53	3.04	8.01	3.08	8.28	3.11	8.55	3.13	9.15	3.17	9.81	3.20						
2500	3500	3500		9500	95%	10	7.75	1.83	10.93	1.87	11.14	1.92	11.26	1.94	11.40	1.96	11.72	2.00	12.10	2.04
						12	7.75	1.87	10.64	1.92	10.86	1.96	10.99	1.98	11.14	2.01	11.47	2.05	11.86	2.09
						14	7.75	1.92	10.35	1.97	10.59	2.01	10.73	2.03	10.88	2.05	11.23	2.09	11.63	2.13
						16	7.75	1.97	10.08	2.01	10.33	2.06	10.48	2.08	10.64	2.10	11.00	2.14	11.42	2.18
						18	7.75	2.02	9.82	2.06	10.08	2.11	10.24	2.13	10.41	2.15	10.79	2.19	11.22	2.23
						20	7.75	2.07	9.57	2.12	9.85	2.16	10.01	2.18	10.19	2.20	10.58	2.24	11.03	2.28
						21	7.75	2.10	9.45	2.14	9.74	2.18	9.90	2.21	10.08	2.23	10.49	2.27	10.94	2.31
						23	7.75	2.15	9.22	2.19	9.52	2.24	9.70	2.26	9.88	2.28	10.30	2.32	10.77	2.36
						25	7.75	2.20	9.00	2.25	9.32	2.29	9.50	2.31	9.70	2.33	10.13	2.37	10.62	2.41
						27	7.75	2.26	8.79	2.31	9.13	2.35	9.32	2.37	9.52	2.39	9.97	2.43	10.47	2.47
						29	7.75	2.32	8.60	2.36	8.95	2.41	9.15	2.43	9.36	2.45	9.82	2.49	10.34	2.53
						31	7.75	2.38	8.42	2.42	8.78	2.46	8.99	2.49	9.20	2.51	9.68	2.55	10.22	2.58
						33	7.75	2.44	8.25	2.48	8.63	2.52	8.84	2.55	9.07	2.57	9.56	2.60	10.11	2.64
						35	7.75	2.50	8.09	2.54	8.49	2.59	8.77	2.60	8.94	2.63	9.45	2.67	10.01	2.70
						37	7.75	2.56	7.95	2.61	8.36	2.65	8.58	2.67	8.82	2.69	9.35	2.73	9.93	2.77
						39	7.75	2.63	7.81	2.67	8.24	2.71	8.47	2.73	8.72	2.75	9.26	2.79	9.85	2.83
42	7.75	2.73	7.64	2.77	8.09	2.81	8.33	2.83	8.59	2.85	9.15	2.89	9.77	2.93						
44	7.75	2.79	7.53	2.84	8.00	2.88	8.25	2.90	8.52	2.92	9.09	2.96	9.73	2.99						
46	7.75	2.86	7.44	2.91	7.92	2.95	8.18	2.97	8.46	2.99	9.05	3.03	9.70	3.06						

12. Capacity Table

Combination (Capacity Index)				Combination (Total)	Combination (%)	Outdoor Temperature (°C, DB)	Indoor Temperature(°C, WB)													
							14		16		18		19		20		22		24	
							TC(kW)	PI(kW)	TC(kW)	PI(kW)	TC(kW)	PI(kW)	TC(kW)	PI(kW)	TC(kW)	PI(kW)	TC(kW)	PI(kW)	TC(kW)	PI(kW)
2500	3500	5000		11000	110%	10	7.69	1.87	10.85	1.92	11.05	1.96	11.17	1.98	11.31	2.01	11.63	2.05	12.00	2.09
						12	7.69	1.92	10.55	1.96	10.77	2.01	10.90	2.03	11.05	2.05	11.38	2.09	11.76	2.14
						14	7.69	1.96	10.27	2.01	10.50	2.06	10.64	2.08	10.79	2.10	11.14	2.14	11.54	2.18
						16	7.69	2.01	10.00	2.06	10.25	2.11	10.39	2.13	10.55	2.15	10.91	2.19	11.33	2.23
						18	7.69	2.06	9.74	2.11	10.00	2.16	10.16	2.18	10.32	2.20	10.70	2.24	11.13	2.28
						20	7.69	2.12	9.49	2.16	9.77	2.21	9.93	2.23	10.11	2.25	10.50	2.29	10.95	2.33
						21	7.69	2.14	9.37	2.19	9.66	2.24	9.82	2.26	10.00	2.28	10.40	2.32	10.86	2.36
						23	7.69	2.20	9.14	2.25	9.45	2.29	9.62	2.31	9.80	2.33	10.22	2.37	10.69	2.41
						25	7.69	2.26	8.93	2.30	9.24	2.35	9.42	2.37	9.62	2.39	10.05	2.43	10.53	2.47
						27	7.69	2.31	8.72	2.36	9.06	2.40	9.24	2.42	9.44	2.45	9.89	2.49	10.39	2.53
						29	7.69	2.37	8.53	2.42	8.88	2.46	9.07	2.48	9.28	2.50	9.74	2.54	10.26	2.58
						31	7.69	2.43	8.35	2.48	8.71	2.52	8.92	2.54	9.13	2.56	9.61	2.60	10.14	2.64
						33	7.69	2.49	8.18	2.54	8.56	2.58	8.77	2.60	8.99	2.62	9.48	2.67	10.03	2.70
						35	7.69	2.56	8.03	2.60	8.42	2.65	8.70	2.66	8.87	2.69	9.37	2.73	9.93	2.77
						37	7.69	2.62	7.88	2.67	8.29	2.71	8.51	2.73	8.75	2.75	9.27	2.79	9.85	2.83
						39	7.69	2.69	7.75	2.73	8.17	2.78	8.41	2.80	8.65	2.82	9.19	2.86	9.78	2.89
42	7.69	2.79	7.58	2.83	8.02	2.88	8.26	2.90	8.52	2.92	9.08	2.96	9.69	3.00						
44	7.69	2.86	7.47	2.90	7.93	2.95	8.19	2.97	8.45	2.99	9.02	3.03	9.65	3.06						
46	7.69	2.93	7.38	2.97	7.86	3.02	8.12	3.04	8.39	3.06	8.98	3.10	9.62	3.13						
2500	3500	6800		12800	128%	10	8.01	1.95	11.29	2.00	11.51	2.05	11.64	2.07	11.78	2.10	12.11	2.14	12.50	2.18
						12	8.01	2.00	10.99	2.05	11.22	2.10	11.35	2.12	11.50	2.14	11.85	2.19	12.25	2.23
						14	8.01	2.05	10.69	2.10	10.94	2.15	11.08	2.17	11.24	2.19	11.60	2.24	12.02	2.28
						16	8.01	2.10	10.41	2.15	10.67	2.20	10.82	2.22	10.99	2.25	11.37	2.29	11.80	2.33
						18	8.01	2.16	10.14	2.21	10.42	2.25	10.58	2.28	10.75	2.30	11.14	2.34	11.59	2.38
						20	8.01	2.21	9.88	2.26	10.18	2.31	10.34	2.33	10.53	2.35	10.93	2.40	11.40	2.44
						21	8.01	2.24	9.76	2.29	10.06	2.34	10.23	2.36	10.42	2.38	10.83	2.42	11.31	2.47
						23	8.01	2.30	9.52	2.35	9.84	2.39	10.02	2.42	10.21	2.44	10.64	2.48	11.13	2.52
						25	8.01	2.36	9.30	2.40	9.63	2.45	9.81	2.47	10.02	2.50	10.46	2.54	10.97	2.58
						27	8.01	2.42	9.08	2.46	9.43	2.51	9.63	2.53	9.83	2.56	10.30	2.60	10.82	2.64
						29	8.01	2.48	8.88	2.53	9.25	2.57	9.45	2.59	9.67	2.62	10.14	2.66	10.68	2.70
						31	8.01	2.54	8.70	2.59	9.07	2.63	9.28	2.66	9.51	2.68	10.00	2.72	10.55	2.76
						33	8.01	2.61	8.52	2.65	8.91	2.70	9.13	2.72	9.37	2.74	9.87	2.79	10.44	2.83
						35	8.01	2.67	8.36	2.72	8.77	2.76	9.06	2.78	9.23	2.81	9.76	2.85	10.34	2.89
						37	8.01	2.74	8.21	2.79	8.63	2.83	8.87	2.85	9.12	2.88	9.66	2.92	10.25	2.96
						39	8.01	2.81	8.07	2.86	8.51	2.90	8.75	2.92	9.01	2.94	9.57	2.99	10.18	3.03
42	8.01	2.91	7.89	2.96	8.35	3.01	8.61	3.03	8.87	3.05	9.45	3.09	10.09	3.13						
44	8.01	2.99	7.78	3.03	8.26	3.08	8.52	3.10	8.80	3.12	9.39	3.16	10.05	3.20						
46	8.01	3.06	7.69	3.11	8.18	3.15	8.45	3.17	8.74	3.19	9.35	3.24	10.02	3.28						

12. Capacity Table

Combination (Capacity Index)				Combination (Total)	Combination (%)	Outdoor Temperature (°C,DB)	Indoor Temperature(°C, WB)													
							14		16		18		19		20		22		24	
							TC(kW)	PI(kW)	TC(kW)	PI(kW)	TC(kW)	PI(kW)	TC(kW)	PI(kW)	TC(kW)	PI(kW)	TC(kW)	PI(kW)	TC(kW)	PI(kW)
2500	5000	5000		12500	125%	10	795	1.95	11.22	2.00	11.43	2.04	11.56	2.07	11.70	2.09	12.03	2.13	12.41	2.18
						12	795	1.99	10.91	2.04	11.14	2.09	11.28	2.11	11.43	2.14	11.77	2.18	12.17	2.22
						14	795	2.05	10.62	2.09	10.86	2.14	11.01	2.16	11.17	2.19	11.52	2.23	11.94	2.27
						16	795	2.10	10.34	2.15	10.60	2.19	10.75	2.22	10.92	2.24	11.29	2.28	11.72	2.32
						18	795	2.15	10.07	2.20	10.35	2.25	10.51	2.27	10.68	2.29	11.07	2.33	11.52	2.38
						20	795	2.21	9.82	2.25	10.11	2.30	10.27	2.32	10.46	2.34	10.86	2.39	11.32	2.43
						21	795	2.23	9.70	2.28	9.99	2.33	10.16	2.35	10.35	2.37	10.76	2.42	11.23	2.46
						23	795	2.29	9.46	2.34	9.77	2.38	9.95	2.41	10.14	2.43	10.57	2.47	11.06	2.51
						25	795	2.35	9.23	2.40	9.56	2.44	9.75	2.46	9.95	2.49	10.39	2.53	10.89	2.57
						27	795	2.41	9.02	2.46	9.37	2.50	9.56	2.52	9.77	2.55	10.23	2.59	10.75	2.63
						29	795	2.47	8.82	2.52	9.18	2.56	9.39	2.59	9.60	2.61	10.08	2.65	10.61	2.69
						31	795	2.53	8.64	2.58	9.01	2.63	9.22	2.65	9.45	2.67	9.94	2.71	10.48	2.75
						33	795	2.60	8.46	2.64	8.86	2.69	9.07	2.71	9.30	2.73	9.81	2.78	10.37	2.82
						35	795	2.66	8.30	2.71	8.71	2.75	9.00	2.77	9.17	2.80	9.69	2.84	10.27	2.88
						37	795	2.73	8.15	2.78	8.58	2.82	8.81	2.84	9.06	2.87	9.59	2.91	10.19	2.95
						39	795	2.80	8.02	2.85	8.46	2.89	8.70	2.91	8.95	2.93	9.50	2.97	10.11	3.01
42	795	2.90	7.84	2.95	8.30	3.00	8.55	3.02	8.82	3.04	9.39	3.08	10.02	3.12						
44	795	2.98	7.73	3.02	8.21	3.07	8.47	3.09	8.74	3.11	9.33	3.15	9.98	3.19						
46	795	3.05	7.64	3.10	8.13	3.14	8.40	3.16	8.68	3.18	9.29	3.22	9.95	3.26						
2500	5000	6800		14300	143%	10	10.52	1.92	10.94	1.96	11.36	2.00	11.57	2.02	11.78	2.05	12.22	2.09	12.65	2.13
						12	10.34	1.97	10.76	2.02	11.18	2.06	11.39	2.08	11.60	2.10	12.04	2.14	12.47	2.18
						14	10.16	2.03	10.57	2.07	11.00	2.11	11.21	2.13	11.42	2.15	11.86	2.19	12.30	2.23
						16	9.98	2.08	10.39	2.12	10.82	2.16	11.03	2.18	11.24	2.21	11.68	2.25	12.12	2.29
						18	9.80	2.13	10.21	2.18	10.64	2.22	10.85	2.24	11.06	2.26	11.50	2.30	11.94	2.34
						20	9.62	2.19	10.03	2.23	10.46	2.27	10.67	2.30	10.89	2.32	11.32	2.36	11.76	2.40
						21	9.52	2.22	9.94	2.26	10.37	2.30	10.58	2.32	10.80	2.34	11.23	2.39	11.68	2.43
						23	9.34	2.27	9.76	2.32	10.19	2.36	10.40	2.38	10.62	2.40	11.06	2.45	11.50	2.49
						25	9.17	2.33	9.58	2.37	10.01	2.42	10.23	2.44	10.44	2.46	10.88	2.50	11.32	2.55
						27	8.99	2.39	9.41	2.43	9.83	2.48	10.05	2.50	10.26	2.52	10.70	2.56	11.15	2.61
						29	8.81	2.45	9.23	2.49	9.65	2.54	9.87	2.56	10.09	2.58	10.53	2.62	10.97	2.67
						31	8.63	2.51	9.05	2.55	9.48	2.60	9.69	2.62	9.91	2.64	10.35	2.69	10.80	2.73
						33	8.45	2.57	8.87	2.62	9.30	2.66	9.52	2.68	9.74	2.70	10.18	2.75	10.63	2.79
						35	8.27	2.63	8.70	2.68	9.13	2.72	9.36	2.74	9.56	2.77	10.00	2.81	10.45	2.86
						37	8.10	2.70	8.52	2.74	8.95	2.79	9.17	2.81	9.39	2.83	9.83	2.88	10.28	2.92
						39	7.92	2.76	8.34	2.81	8.78	2.85	8.99	2.88	9.21	2.90	9.66	2.94	10.11	2.99
42	7.66	2.86	8.08	2.91	8.51	2.95	8.73	2.97	8.95	3.00	9.40	3.04	9.85	3.09						
44	7.48	2.93	7.91	2.97	8.34	3.02	8.56	3.04	8.78	3.06	9.23	3.11	9.68	3.16						
46	7.31	3.00	7.73	3.04	8.17	3.09	8.39	3.11	8.61	3.13	9.05	3.18	9.51	3.23						

12. Capacity Table

Combination (Capacity Index)				Combination (Total)	Combination (%)	Outdoor Temperature (°C, DB)	Indoor Temperature(°C, WB)													
							14		16		18		19		20		22		24	
							TC(kW)	PI(kW)	TC(kW)	PI(kW)	TC(kW)	PI(kW)	TC(kW)	PI(kW)	TC(kW)	PI(kW)	TC(kW)	PI(kW)	TC(kW)	PI(kW)
2500	6800	6800	16100	161%	10	11.02	2.01	11.45	2.05	11.89	2.09	12.11	2.11	12.34	2.14	12.79	2.18	13.25	2.22	
					12	10.83	2.06	11.26	2.10	11.70	2.15	11.92	2.17	12.15	2.19	12.60	2.23	13.06	2.28	
					14	10.64	2.12	11.07	2.16	11.51	2.20	11.74	2.22	11.96	2.25	12.41	2.29	12.87	2.33	
					16	10.45	2.17	10.88	2.21	11.32	2.26	11.55	2.28	11.77	2.30	12.23	2.35	12.69	2.39	
					18	10.26	2.23	10.69	2.27	11.14	2.32	11.36	2.34	11.58	2.36	12.04	2.40	12.50	2.45	
					20	10.07	2.29	10.50	2.33	10.95	2.37	11.17	2.40	11.40	2.42	11.85	2.46	12.32	2.51	
					21	9.97	2.31	10.41	2.36	10.85	2.40	11.08	2.43	11.30	2.45	11.76	2.49	12.22	2.54	
					23	9.78	2.37	10.22	2.42	10.67	2.46	10.89	2.49	11.12	2.51	11.58	2.55	12.04	2.60	
					25	9.60	2.43	10.03	2.48	10.48	2.52	10.71	2.55	10.93	2.57	11.39	2.61	11.86	2.66	
					27	9.41	2.50	9.85	2.54	10.29	2.59	10.52	2.61	10.75	2.63	11.21	2.68	11.67	2.72	
					29	9.22	2.56	9.66	2.60	10.11	2.65	10.33	2.67	10.56	2.69	11.02	2.74	11.49	2.79	
					31	9.03	2.62	9.48	2.67	9.92	2.71	10.15	2.74	10.38	2.76	10.84	2.80	11.31	2.85	
					33	8.85	2.69	9.29	2.73	9.74	2.78	9.97	2.80	10.19	2.82	10.66	2.87	11.12	2.92	
					35	8.66	2.75	9.11	2.80	9.55	2.84	9.80	2.86	10.01	2.89	10.47	2.94	10.94	2.98	
					37	8.48	2.82	8.92	2.86	9.37	2.91	9.60	2.93	9.83	2.96	10.29	3.00	10.76	3.05	
					39	8.29	2.88	8.74	2.93	9.19	2.98	9.42	3.00	9.65	3.02	10.11	3.07	10.58	3.12	
42	8.02	2.99	8.46	3.03	8.91	3.08	9.14	3.10	9.37	3.13	9.84	3.18	10.31	3.22						
44	7.83	3.06	8.28	3.10	8.73	3.15	8.96	3.18	9.19	3.20	9.66	3.25	10.13	3.29						
46	7.65	3.13	8.10	3.17	8.55	3.22	8.78	3.25	9.01	3.27	9.48	3.32	9.95	3.37						
3500	3500	3500	10500	105%	10	7.90	1.86	11.14	1.91	11.36	1.95	11.48	1.98	11.62	2.00	11.95	2.04	12.33	2.08	
					12	7.90	1.91	10.84	1.96	11.07	2.00	11.20	2.02	11.35	2.04	11.69	2.09	12.09	2.13	
					14	7.90	1.96	10.55	2.00	10.79	2.05	10.93	2.07	11.09	2.09	11.45	2.13	11.86	2.17	
					16	7.90	2.01	10.27	2.05	10.53	2.10	10.68	2.12	10.84	2.14	11.22	2.18	11.64	2.22	
					18	7.90	2.06	10.01	2.10	10.28	2.15	10.44	2.17	10.61	2.19	11.00	2.23	11.44	2.27	
					20	7.90	2.11	9.75	2.16	10.04	2.20	10.21	2.22	10.39	2.24	10.79	2.28	11.25	2.32	
					21	7.90	2.14	9.63	2.18	9.93	2.23	10.10	2.25	10.28	2.27	10.69	2.31	11.16	2.35	
					23	7.90	2.19	9.40	2.24	9.71	2.28	9.88	2.30	10.08	2.32	10.50	2.36	10.98	2.40	
					25	7.90	2.25	9.17	2.29	9.50	2.34	9.68	2.36	9.88	2.38	10.32	2.42	10.82	2.46	
					27	7.90	2.30	8.96	2.35	9.31	2.39	9.50	2.41	9.70	2.44	10.16	2.48	10.67	2.52	
					29	7.90	2.36	8.77	2.41	9.12	2.45	9.32	2.47	9.54	2.49	10.01	2.53	10.54	2.57	
					31	7.90	2.42	8.58	2.47	8.95	2.51	9.16	2.53	9.38	2.55	9.87	2.59	10.41	2.63	
					33	7.90	2.48	8.41	2.53	8.80	2.57	9.01	2.59	9.24	2.61	9.74	2.66	10.30	2.69	
					35	7.90	2.55	8.25	2.59	8.65	2.64	8.94	2.65	9.11	2.68	9.63	2.72	10.20	2.76	
					37	7.90	2.61	8.10	2.66	8.52	2.70	8.75	2.72	8.99	2.74	9.53	2.78	10.12	2.82	
					39	7.90	2.68	7.96	2.72	8.40	2.76	8.64	2.79	8.89	2.81	9.44	2.85	10.05	2.88	
42	7.90	2.78	7.78	2.82	8.24	2.87	8.49	2.89	8.76	2.91	9.33	2.95	9.96	2.98						
44	7.90	2.85	7.68	2.89	8.15	2.93	8.41	2.96	8.68	2.98	9.27	3.01	9.91	3.05						
46	7.90	2.92	7.59	2.96	8.08	3.00	8.34	3.03	8.62	3.05	9.22	3.08	9.88	3.12						

12. Capacity Table

Combination (Capacity Index)				Combination (Total)	Combination (%)	Outdoor Temperature (°C, DB)	Indoor Temperature(°C, WB)													
							14		16		18		19		20		22		24	
							TC(kW)	PI(kW)	TC(kW)	PI(kW)	TC(kW)	PI(kW)	TC(kW)	PI(kW)	TC(kW)	PI(kW)	TC(kW)	PI(kW)	TC(kW)	PI(kW)
3500	3500	5000		12000	120%	10	7.87	1.90	11.11	1.95	11.32	2.00	11.44	2.02	11.58	2.04	11.91	2.09	12.29	2.13
						12	7.87	1.95	10.81	2.00	11.03	2.05	11.16	2.07	11.31	2.09	11.65	2.13	12.05	2.18
						14	7.87	2.00	10.52	2.05	10.76	2.09	10.90	2.12	11.05	2.14	11.41	2.18	11.82	2.22
						16	7.87	2.05	10.24	2.10	10.49	2.15	10.64	2.17	10.81	2.19	11.18	2.23	11.60	2.27
						18	7.87	2.10	9.97	2.15	10.24	2.20	10.40	2.22	10.57	2.24	10.96	2.28	11.40	2.32
						20	7.87	2.16	9.72	2.20	10.01	2.25	10.17	2.27	10.35	2.29	10.75	2.34	11.21	2.38
						21	7.87	2.18	9.60	2.23	9.89	2.28	10.06	2.30	10.24	2.32	10.65	2.36	11.12	2.40
						23	7.87	2.24	9.36	2.29	9.67	2.33	9.85	2.35	10.04	2.38	10.47	2.42	10.95	2.46
						25	7.87	2.30	9.14	2.34	9.47	2.39	9.65	2.41	9.85	2.43	10.29	2.47	10.79	2.52
						27	7.87	2.36	8.93	2.40	9.27	2.45	9.47	2.47	9.67	2.49	10.13	2.53	10.64	2.57
						29	7.87	2.42	8.74	2.46	9.09	2.51	9.29	2.53	9.51	2.55	9.98	2.59	10.50	2.63
						31	7.87	2.48	8.55	2.52	8.92	2.57	9.13	2.59	9.35	2.61	9.84	2.65	10.38	2.69
						33	7.87	2.54	8.38	2.59	8.77	2.63	8.98	2.65	9.21	2.67	9.71	2.72	10.27	2.75
						35	7.87	2.60	8.22	2.65	8.62	2.70	8.91	2.71	9.08	2.74	9.60	2.78	10.17	2.82
						37	7.87	2.67	8.07	2.72	8.49	2.76	8.72	2.78	8.96	2.80	9.50	2.84	10.08	2.88
						39	7.87	2.74	7.94	2.78	8.37	2.83	8.61	2.85	8.86	2.87	9.41	2.91	10.01	2.95
42	7.87	2.84	7.76	2.89	8.21	2.93	8.46	2.95	8.73	2.97	9.30	3.01	9.92	3.05						
44	7.87	2.91	7.65	2.96	8.13	3.00	8.38	3.02	8.65	3.04	9.24	3.08	9.88	3.12						
46	7.87	2.98	7.56	3.03	8.05	3.07	8.31	3.09	8.59	3.11	9.19	3.15	9.85	3.19						
3500	3500	6800		13800	138%	10	10.41	1.99	10.82	2.03	11.24	2.07	11.45	2.09	11.66	2.11	12.08	2.15	12.52	2.20
						12	10.23	2.04	10.64	2.08	11.06	2.12	11.27	2.15	11.48	2.17	11.91	2.21	12.34	2.25
						14	10.05	2.09	10.46	2.14	10.88	2.18	11.09	2.20	11.30	2.22	11.73	2.26	12.16	2.31
						16	9.87	2.15	10.28	2.19	10.70	2.23	10.91	2.26	11.12	2.28	11.55	2.32	11.99	2.36
						18	9.69	2.20	10.10	2.25	10.52	2.29	10.73	2.31	10.95	2.33	11.38	2.38	11.81	2.42
						20	9.51	2.26	9.93	2.31	10.34	2.35	10.56	2.37	10.77	2.39	11.20	2.44	11.64	2.48
						21	9.42	2.29	9.84	2.33	10.26	2.38	10.47	2.40	10.68	2.42	11.11	2.47	11.55	2.51
						23	9.24	2.35	9.66	2.39	10.08	2.44	10.29	2.46	10.51	2.48	10.94	2.53	11.38	2.57
						25	9.07	2.41	9.48	2.45	9.90	2.50	10.12	2.52	10.33	2.54	10.76	2.59	11.20	2.63
						27	8.89	2.47	9.31	2.51	9.73	2.56	9.94	2.58	10.16	2.60	10.59	2.65	11.03	2.69
						29	8.71	2.53	9.13	2.58	9.55	2.62	9.77	2.64	9.98	2.67	10.42	2.71	10.86	2.76
						31	8.54	2.59	8.95	2.64	9.38	2.68	9.59	2.71	9.81	2.73	10.24	2.77	10.68	2.82
						33	8.36	2.66	8.78	2.70	9.20	2.75	9.42	2.77	9.63	2.79	10.07	2.84	10.51	2.88
						35	8.18	2.72	8.60	2.77	9.03	2.81	9.26	2.83	9.46	2.86	9.90	2.90	10.34	2.95
						37	8.01	2.79	8.43	2.83	8.85	2.88	9.07	2.90	9.29	2.93	9.72	2.97	10.17	3.02
						39	7.84	2.85	8.26	2.90	8.68	2.95	8.90	2.97	9.11	2.99	9.55	3.04	10.00	3.09
42	7.57	2.96	8.00	3.00	8.42	3.05	8.64	3.07	8.86	3.10	9.30	3.14	9.74	3.19						
44	7.40	3.02	7.82	3.07	8.25	3.12	8.47	3.14	8.69	3.17	9.13	3.21	9.57	3.26						
46	7.23	3.09	7.65	3.14	8.08	3.19	8.30	3.21	8.52	3.24	8.96	3.28	9.40	3.33						

12. Capacity Table

Combination (Capacity Index)				Combination (Total)	Combination (%)	Outdoor Temperature (°C, DB)	Indoor Temperature(°C, WB)													
							14		16		18		19		20		22		24	
							TC(kW)	PI(kW)	TC(kW)	PI(kW)	TC(kW)	PI(kW)	TC(kW)	PI(kW)	TC(kW)	PI(kW)	TC(kW)	PI(kW)	TC(kW)	PI(kW)
3500	5000	5000		13500	135%	10	10.36	1.98	10.76	2.02	11.18	2.06	11.38	2.08	11.59	2.11	12.02	2.15	12.45	2.19
						12	10.18	2.03	10.58	2.07	11.00	2.12	11.21	2.14	11.42	2.16	11.84	2.20	12.27	2.24
						14	10.00	2.09	10.40	2.13	10.82	2.17	11.03	2.19	11.24	2.21	11.67	2.26	12.10	2.30
						16	9.82	2.14	10.23	2.18	10.64	2.23	10.85	2.25	11.06	2.27	11.49	2.31	11.92	2.36
						18	9.64	2.20	10.05	2.24	10.47	2.28	10.68	2.30	10.89	2.33	11.32	2.37	11.75	2.41
						20	9.46	2.25	9.87	2.30	10.29	2.34	10.50	2.36	10.71	2.38	11.14	2.43	11.58	2.47
						21	9.37	2.28	9.78	2.33	10.20	2.37	10.41	2.39	10.62	2.41	11.05	2.46	11.49	2.50
						23	9.20	2.34	9.61	2.38	10.02	2.43	10.24	2.45	10.45	2.47	10.88	2.52	11.32	2.56
						25	9.02	2.40	9.43	2.44	9.85	2.49	10.06	2.51	10.27	2.53	10.71	2.58	11.14	2.62
						27	8.84	2.46	9.26	2.50	9.67	2.55	9.89	2.57	10.10	2.59	10.53	2.64	10.97	2.68
						29	8.67	2.52	9.08	2.57	9.50	2.61	9.71	2.63	9.93	2.66	10.36	2.70	10.80	2.75
						31	8.49	2.58	8.91	2.63	9.33	2.67	9.54	2.70	9.75	2.72	10.19	2.76	10.63	2.81
						33	8.32	2.65	8.73	2.69	9.15	2.74	9.37	2.76	9.58	2.78	10.01	2.83	10.46	2.87
						35	8.14	2.71	8.56	2.76	8.98	2.80	9.21	2.82	9.41	2.85	9.84	2.89	10.28	2.94
						37	7.97	2.78	8.38	2.82	8.81	2.87	9.02	2.89	9.24	2.92	9.67	2.96	10.11	3.01
						39	7.79	2.84	8.21	2.89	8.64	2.94	8.85	2.96	9.07	2.98	9.50	3.03	9.94	3.07
42	7.53	2.94	7.95	2.99	8.38	3.04	8.59	3.06	8.81	3.08	9.25	3.13	9.69	3.18						
44	7.36	3.01	7.78	3.06	8.21	3.11	8.42	3.13	8.64	3.15	9.08	3.20	9.52	3.25						
46	7.19	3.08	7.61	3.13	8.04	3.18	8.25	3.20	8.47	3.22	8.91	3.27	9.35	3.32						
3500	5000	6800		15300	153%	10	11.02	1.96	11.45	2.01	11.89	2.05	12.11	2.07	12.34	2.09	12.79	2.13	13.25	2.17
						12	10.83	2.02	11.26	2.06	11.70	2.10	11.92	2.12	12.15	2.14	12.60	2.19	13.06	2.23
						14	10.64	2.07	11.07	2.11	11.51	2.16	11.74	2.18	11.96	2.20	12.41	2.24	12.87	2.28
						16	10.45	2.13	10.88	2.17	11.32	2.21	11.55	2.23	11.77	2.25	12.23	2.30	12.69	2.34
						18	10.26	2.18	10.69	2.22	11.14	2.27	11.36	2.29	11.58	2.31	12.04	2.35	12.50	2.40
						20	10.07	2.24	10.50	2.28	10.95	2.32	11.17	2.35	11.40	2.37	11.85	2.41	12.32	2.45
						21	9.97	2.27	10.41	2.31	10.85	2.35	11.08	2.37	11.30	2.40	11.76	2.44	12.22	2.48
						23	9.78	2.32	10.22	2.37	10.67	2.41	10.89	2.43	11.12	2.46	11.58	2.50	12.04	2.54
						25	9.60	2.38	10.03	2.43	10.48	2.47	10.71	2.49	10.93	2.51	11.39	2.56	11.86	2.60
						27	9.41	2.44	9.85	2.49	10.29	2.53	10.52	2.55	10.75	2.58	11.21	2.62	11.67	2.66
						29	9.22	2.50	9.66	2.55	10.11	2.59	10.33	2.62	10.56	2.64	11.02	2.68	11.49	2.73
						31	9.03	2.57	9.48	2.61	9.92	2.66	10.15	2.68	10.38	2.70	10.84	2.75	11.31	2.79
						33	8.85	2.63	9.29	2.67	9.74	2.72	9.97	2.74	10.19	2.76	10.66	2.81	11.12	2.85
						35	8.66	2.69	9.11	2.74	9.55	2.78	9.80	2.80	10.01	2.83	10.47	2.87	10.94	2.92
						37	8.48	2.76	8.92	2.80	9.37	2.85	9.60	2.87	9.83	2.89	10.29	2.94	10.76	2.99
						39	8.29	2.82	8.74	2.87	9.19	2.92	9.42	2.94	9.65	2.96	10.11	3.01	10.58	3.05
42	8.02	2.92	8.46	2.97	8.91	3.02	9.14	3.04	9.37	3.06	9.84	3.11	10.31	3.16						
44	7.83	2.99	8.28	3.04	8.73	3.09	8.96	3.11	9.19	3.13	9.66	3.18	10.13	3.23						
46	7.65	3.06	8.10	3.11	8.55	3.16	8.78	3.18	9.01	3.20	9.48	3.25	9.95	3.30						

12. Capacity Table

Combination (Capacity Index)				Combination (Total)	Combination (%)	Outdoor Temperature (°C, DB)	Indoor Temperature(°C, WB)													
							14		16		18		19		20		22		24	
							TC(kW)	PI(kW)	TC(kW)	PI(kW)	TC(kW)	PI(kW)	TC(kW)	PI(kW)	TC(kW)	PI(kW)	TC(kW)	PI(kW)	TC(kW)	PI(kW)
3500	6800	6800		17100	171%	10	11.02	2.04	11.45	2.09	11.89	2.13	12.11	2.15	12.34	2.17	12.79	2.22	13.25	2.26
						12	10.83	2.10	11.26	2.14	11.70	2.18	11.92	2.21	12.15	2.23	12.60	2.27	13.06	2.32
						14	10.64	2.15	11.07	2.20	11.51	2.24	11.74	2.26	11.96	2.28	12.41	2.33	12.87	2.37
						16	10.45	2.21	10.88	2.25	11.32	2.30	11.55	2.32	11.77	2.34	12.23	2.39	12.69	2.43
						18	10.26	2.27	10.69	2.31	11.14	2.36	11.36	2.38	11.58	2.40	12.04	2.45	12.50	2.49
						20	10.07	2.33	10.50	2.37	10.95	2.42	11.17	2.44	11.40	2.46	11.85	2.51	12.32	2.55
						21	9.97	2.36	10.41	2.40	10.85	2.45	11.08	2.47	11.30	2.49	11.76	2.54	12.22	2.58
						23	9.78	2.42	10.22	2.46	10.67	2.51	10.89	2.53	11.12	2.55	11.58	2.60	12.04	2.64
						25	9.60	2.48	10.03	2.52	10.48	2.57	10.71	2.59	10.93	2.61	11.39	2.66	11.86	2.71
						27	9.41	2.54	9.85	2.58	10.29	2.63	10.52	2.65	10.75	2.68	11.21	2.72	11.67	2.77
						29	9.22	2.60	9.66	2.65	10.11	2.69	10.33	2.72	10.56	2.74	11.02	2.79	11.49	2.83
						31	9.03	2.67	9.48	2.71	9.92	2.76	10.15	2.78	10.38	2.81	10.84	2.85	11.31	2.90
						33	8.85	2.73	9.29	2.78	9.74	2.83	9.97	2.85	10.19	2.87	10.66	2.92	11.12	2.97
						35	8.66	2.80	9.11	2.85	9.55	2.89	9.80	2.91	10.01	2.94	10.47	2.99	10.94	3.03
						37	8.48	2.87	8.92	2.91	9.37	2.96	9.60	2.98	9.83	3.01	10.29	3.06	10.76	3.10
						39	8.29	2.93	8.74	2.98	9.19	3.03	9.42	3.05	9.65	3.08	10.11	3.13	10.58	3.17
						42	8.02	3.04	8.46	3.09	8.91	3.14	9.14	3.16	9.37	3.18	9.84	3.23	10.31	3.28
44	7.83	3.11	8.28	3.16	8.73	3.21	8.96	3.23	9.19	3.26	9.66	3.30	10.13	3.35						
46	7.65	3.18	8.10	3.23	8.55	3.28	8.78	3.30	9.01	3.33	9.48	3.38	9.95	3.43						
5000	5000	5000		15000	150%	10	11.02	1.96	11.45	2.00	11.89	2.04	12.11	2.06	12.34	2.08	12.79	2.12	13.25	2.17
						12	10.83	2.01	11.26	2.05	11.70	2.09	11.92	2.12	12.15	2.14	12.60	2.18	13.06	2.22
						14	10.64	2.06	11.07	2.11	11.51	2.15	11.74	2.17	11.96	2.19	12.41	2.23	12.87	2.27
						16	10.45	2.12	10.88	2.16	11.32	2.20	11.55	2.22	11.77	2.25	12.23	2.29	12.69	2.33
						18	10.26	2.17	10.69	2.22	11.14	2.26	11.36	2.28	11.58	2.30	12.04	2.34	12.50	2.39
						20	10.07	2.23	10.50	2.27	10.95	2.32	11.17	2.34	11.40	2.36	11.85	2.40	12.32	2.45
						21	9.97	2.26	10.41	2.30	10.85	2.34	11.08	2.37	11.30	2.39	11.76	2.43	12.22	2.47
						23	9.78	2.32	10.22	2.36	10.67	2.40	10.89	2.42	11.12	2.45	11.58	2.49	12.04	2.53
						25	9.60	2.37	10.03	2.42	10.48	2.46	10.71	2.48	10.93	2.51	11.39	2.55	11.86	2.59
						27	9.41	2.43	9.85	2.48	10.29	2.52	10.52	2.54	10.75	2.57	11.21	2.61	11.67	2.65
						29	9.22	2.49	9.66	2.54	10.11	2.58	10.33	2.61	10.56	2.63	11.02	2.67	11.49	2.72
						31	9.03	2.56	9.48	2.60	9.92	2.65	10.15	2.67	10.38	2.69	10.84	2.74	11.31	2.78
						33	8.85	2.62	9.29	2.66	9.74	2.71	9.97	2.73	10.19	2.75	10.66	2.80	11.12	2.84
						35	8.66	2.68	9.11	2.73	9.55	2.77	9.80	2.79	10.01	2.82	10.47	2.86	10.94	2.91
						37	8.48	2.75	8.92	2.79	9.37	2.84	9.60	2.86	9.83	2.88	10.29	2.93	10.76	2.98
						39	8.29	2.81	8.74	2.86	9.19	2.90	9.42	2.93	9.65	2.95	10.11	3.00	10.58	3.04
						42	8.02	2.91	8.46	2.96	8.91	3.01	9.14	3.03	9.37	3.05	9.84	3.10	10.31	3.14
44	7.83	2.98	8.28	3.03	8.73	3.07	8.96	3.10	9.19	3.12	9.66	3.17	10.13	3.21						
46	7.65	3.05	8.10	3.10	8.55	3.14	8.78	3.17	9.01	3.19	9.48	3.24	9.95	3.28						

12. Capacity Table

Combination (Capacity Index)				Combination (Total)	Combination (%)	Outdoor Temperature (°C, DB)	Indoor Temperature(°C, WB)													
							14		16		18		19		20		22		24	
							TC(kW)	PI(kW)	TC(kW)	PI(kW)	TC(kW)	PI(kW)	TC(kW)	PI(kW)	TC(kW)	PI(kW)	TC(kW)	PI(kW)	TC(kW)	PI(kW)
5000	5000	6800		16800	168%	10	11.02	2.04	11.45	2.09	11.89	2.13	12.11	2.15	12.34	2.17	12.79	2.22	13.25	2.26
						12	10.83	2.10	11.26	2.14	11.70	2.18	11.92	2.21	12.15	2.23	12.60	2.27	13.06	2.32
						14	10.64	2.15	11.07	2.20	11.51	2.24	11.74	2.26	11.96	2.28	12.41	2.33	12.87	2.37
						16	10.45	2.21	10.88	2.25	11.32	2.30	11.55	2.32	11.77	2.34	12.23	2.39	12.69	2.43
						18	10.26	2.27	10.69	2.31	11.14	2.36	11.36	2.38	11.58	2.40	12.04	2.45	12.50	2.49
						20	10.07	2.33	10.50	2.37	10.95	2.42	11.17	2.44	11.40	2.46	11.85	2.51	12.32	2.55
						21	9.97	2.36	10.41	2.40	10.85	2.45	11.08	2.47	11.30	2.49	11.76	2.54	12.22	2.58
						23	9.78	2.42	10.22	2.46	10.67	2.51	10.89	2.53	11.12	2.55	11.58	2.60	12.04	2.64
						25	9.60	2.48	10.03	2.52	10.48	2.57	10.71	2.59	10.93	2.61	11.39	2.66	11.86	2.71
						27	9.41	2.54	9.85	2.58	10.29	2.63	10.52	2.65	10.75	2.68	11.21	2.72	11.67	2.77
						29	9.22	2.60	9.66	2.65	10.11	2.69	10.33	2.72	10.56	2.74	11.02	2.79	11.49	2.83
						31	9.03	2.67	9.48	2.71	9.92	2.76	10.15	2.78	10.38	2.81	10.84	2.85	11.31	2.90
						33	8.85	2.73	9.29	2.78	9.74	2.83	9.97	2.85	10.19	2.87	10.66	2.92	11.12	2.97
						35	8.66	2.80	9.11	2.85	9.55	2.89	9.80	2.91	10.01	2.94	10.47	2.99	10.94	3.03
						37	8.48	2.87	8.92	2.91	9.37	2.96	9.60	2.98	9.83	3.01	10.29	3.06	10.76	3.10
						39	8.29	2.93	8.74	2.98	9.19	3.03	9.42	3.05	9.65	3.08	10.11	3.13	10.58	3.17
42	8.02	3.04	8.46	3.09	8.91	3.14	9.14	3.16	9.37	3.18	9.84	3.23	10.31	3.28						
44	7.83	3.11	8.28	3.16	8.73	3.21	8.96	3.23	9.19	3.26	9.66	3.30	10.13	3.35						
46	7.65	3.18	8.10	3.23	8.55	3.28	8.78	3.30	9.01	3.33	9.48	3.38	9.95	3.43						
2000	2000	2000	2000	8000	80%	10	7.07	1.67	9.97	1.71	10.16	1.76	10.28	1.78	10.40	1.79	10.69	1.83	11.03	1.87
						12	7.07	1.71	9.70	1.76	9.90	1.80	10.02	1.82	10.16	1.84	10.46	1.87	10.82	1.91
						14	7.07	1.76	9.44	1.80	9.66	1.84	9.79	1.86	9.93	1.88	10.24	1.92	10.61	1.95
						16	7.07	1.80	9.19	1.84	9.42	1.88	9.56	1.90	9.70	1.92	10.04	1.96	10.42	2.00
						18	7.07	1.85	8.95	1.89	9.20	1.93	9.34	1.95	9.49	1.97	9.84	2.01	10.24	2.04
						20	7.07	1.89	8.73	1.94	8.99	1.98	9.13	2.00	9.29	2.01	9.65	2.05	10.06	2.09
						21	7.07	1.92	8.62	1.96	8.88	2.00	9.03	2.02	9.20	2.04	9.57	2.08	9.98	2.11
						23	7.07	1.97	8.41	2.01	8.69	2.05	8.84	2.07	9.02	2.09	9.40	2.12	9.83	2.16
						25	7.07	2.02	8.21	2.06	8.50	2.10	8.67	2.12	8.84	2.14	9.24	2.17	9.68	2.21
						27	7.07	2.07	8.02	2.11	8.33	2.15	8.50	2.17	8.68	2.19	9.09	2.22	9.55	2.26
						29	7.07	2.12	7.84	2.16	8.16	2.20	8.34	2.22	8.53	2.24	8.96	2.28	9.43	2.31
						31	7.07	2.18	7.68	2.22	8.01	2.26	8.20	2.27	8.40	2.29	8.83	2.33	9.32	2.36
						33	7.07	2.23	7.52	2.27	7.87	2.31	8.06	2.33	8.27	2.35	8.72	2.38	9.22	2.42
						35	7.07	2.29	7.38	2.33	7.74	2.37	8.00	2.38	8.15	2.40	8.62	2.44	9.13	2.47
						37	7.07	2.35	7.25	2.39	7.62	2.42	7.83	2.44	8.05	2.46	8.53	2.50	9.05	2.53
						39	7.07	2.40	7.13	2.44	7.52	2.48	7.73	2.50	7.96	2.52	8.45	2.56	8.99	2.59
42	7.07	2.50	6.97	2.54	7.38	2.57	7.60	2.59	7.84	2.61	8.35	2.65	8.91	2.68						
44	7.07	2.56	6.87	2.60	7.30	2.64	7.53	2.65	7.77	2.67	8.30	2.71	8.87	2.74						
46	7.07	2.62	6.79	2.66	7.23	2.70	7.46	2.72	7.72	2.74	8.25	2.77	8.85	2.80						

12. Capacity Table

Combination (Capacity Index)				Combination (Total)	Combination (%)	Outdoor Temperature (°C,DB)	Indoor Temperature(°C, WB)													
							14		16		18		19		20		22		24	
							TC(kW)	PI(kW)	TC(kW)	PI(kW)	TC(kW)	PI(kW)	TC(kW)	PI(kW)	TC(kW)	PI(kW)	TC(kW)	PI(kW)	TC(kW)	PI(kW)
2000	2000	2000	2500	8500	85%	10	7.51	1.77	10.60	1.82	10.80	1.86	10.92	1.88	11.05	1.90	11.36	1.94	11.72	1.98
						12	7.51	1.81	10.31	1.86	10.52	1.90	10.65	1.92	10.79	1.94	11.12	1.98	11.49	2.02
						14	7.51	1.86	10.03	1.91	10.26	1.95	10.40	1.97	10.55	1.99	10.88	2.03	11.28	2.07
						16	7.51	1.91	9.77	1.95	10.01	1.99	10.15	2.02	10.31	2.04	10.66	2.08	11.07	2.11
						18	7.51	1.96	9.51	2.00	9.77	2.04	9.92	2.06	10.09	2.08	10.45	2.12	10.88	2.16
						20	7.51	2.01	9.27	2.05	9.55	2.09	9.70	2.11	9.87	2.13	10.26	2.17	10.69	2.21
						21	7.51	2.03	9.16	2.08	9.44	2.12	9.60	2.14	9.77	2.16	10.16	2.20	10.61	2.24
						23	7.51	2.08	8.93	2.13	9.23	2.17	9.40	2.19	9.58	2.21	9.98	2.25	10.44	2.29
						25	7.51	2.14	8.72	2.18	9.03	2.22	9.21	2.24	9.40	2.26	9.82	2.30	10.29	2.34
						27	7.51	2.19	8.52	2.23	8.85	2.28	9.03	2.30	9.23	2.32	9.66	2.36	10.15	2.39
						29	7.51	2.25	8.33	2.29	8.67	2.33	8.86	2.35	9.07	2.37	9.52	2.41	10.02	2.45
						31	7.51	2.30	8.16	2.35	8.51	2.39	8.71	2.41	8.92	2.43	9.38	2.47	9.90	2.50
						33	7.51	2.36	7.99	2.41	8.36	2.45	8.57	2.47	8.79	2.49	9.26	2.52	9.80	2.56
						35	7.51	2.42	7.84	2.46	8.23	2.51	8.50	2.52	8.66	2.55	9.16	2.58	9.70	2.62
						37	7.51	2.48	7.70	2.53	8.10	2.57	8.32	2.59	8.55	2.61	9.06	2.64	9.62	2.68
						39	7.51	2.55	7.57	2.59	7.99	2.63	8.21	2.65	8.45	2.67	8.97	2.71	9.55	2.74
42	7.51	2.64	7.40	2.68	7.84	2.72	8.07	2.74	8.33	2.76	8.87	2.80	9.47	2.84						
44	7.51	2.71	7.30	2.75	7.75	2.79	8.00	2.81	8.26	2.83	8.81	2.87	9.43	2.90						
46	7.51	2.78	7.21	2.82	7.68	2.86	7.93	2.88	8.20	2.90	8.77	2.93	9.40	2.97						
2000	2000	2000	3500	9500	95%	10	7.76	1.84	10.95	1.89	11.15	1.93	11.28	1.95	11.42	1.98	11.73	2.02	12.11	2.06
						12	7.76	1.89	10.65	1.93	10.87	1.98	11.00	2.00	11.15	2.02	11.48	2.06	11.87	2.10
						14	7.76	1.93	10.36	1.98	10.60	2.03	10.74	2.05	10.89	2.07	11.24	2.11	11.65	2.15
						16	7.76	1.98	10.09	2.03	10.34	2.07	10.49	2.10	10.65	2.12	11.01	2.16	11.44	2.20
						18	7.76	2.03	9.83	2.08	10.10	2.12	10.25	2.15	10.42	2.17	10.80	2.21	11.23	2.25
						20	7.76	2.09	9.58	2.13	9.86	2.18	10.02	2.20	10.20	2.22	10.60	2.26	11.05	2.30
						21	7.76	2.11	9.46	2.16	9.75	2.20	9.92	2.22	10.10	2.24	10.50	2.29	10.96	2.32
						23	7.76	2.17	9.23	2.21	9.53	2.26	9.71	2.28	9.90	2.30	10.31	2.34	10.79	2.38
						25	7.76	2.22	9.01	2.27	9.33	2.31	9.51	2.33	9.71	2.35	10.14	2.39	10.63	2.43
						27	7.76	2.28	8.80	2.32	9.14	2.37	9.33	2.39	9.53	2.41	9.98	2.45	10.48	2.49
						29	7.76	2.34	8.61	2.38	8.96	2.42	9.16	2.45	9.37	2.47	9.83	2.51	10.35	2.54
						31	7.76	2.40	8.43	2.44	8.79	2.48	9.00	2.50	9.22	2.52	9.69	2.56	10.23	2.60
						33	7.76	2.46	8.26	2.50	8.64	2.54	8.85	2.56	9.08	2.59	9.57	2.62	10.12	2.66
						35	7.76	2.52	8.10	2.56	8.50	2.61	8.78	2.62	8.95	2.65	9.46	2.69	10.02	2.72
						37	7.76	2.58	7.95	2.63	8.37	2.67	8.59	2.69	8.83	2.71	9.36	2.75	9.94	2.79
						39	7.76	2.65	7.82	2.69	8.25	2.73	8.48	2.75	8.73	2.77	9.27	2.81	9.87	2.85
42	7.76	2.75	7.64	2.79	8.09	2.83	8.34	2.85	8.60	2.87	9.16	2.91	9.78	2.95						
44	7.76	2.82	7.54	2.86	8.01	2.90	8.26	2.92	8.53	2.94	9.10	2.98	9.74	3.02						
46	7.76	2.89	7.45	2.93	7.93	2.97	8.19	2.99	8.47	3.01	9.06	3.05	9.71	3.09						

12. Capacity Table

Combination (Capacity Index)				Combination (Total)	Combination (%)	Outdoor Temperature (°C,DB)	Indoor Temperature(°C, WB)													
							14		16		18		19		20		22		24	
							TC(kW)	PI(kW)	TC(kW)	PI(kW)	TC(kW)	PI(kW)	TC(kW)	PI(kW)	TC(kW)	PI(kW)	TC(kW)	PI(kW)	TC(kW)	PI(kW)
2000	2000	2000	5000	11000	110%	10	7.68	1.89	10.83	1.94	11.04	1.98	11.16	2.01	11.30	2.03	11.61	2.07	11.99	2.11
						12	7.68	1.94	10.54	1.98	10.76	2.03	10.89	2.05	11.03	2.08	11.36	2.12	11.75	2.16
						14	7.68	1.99	10.26	2.03	10.49	2.08	10.63	2.10	10.78	2.12	11.13	2.17	11.53	2.21
						16	7.68	2.04	9.99	2.08	10.24	2.13	10.38	2.15	10.54	2.17	10.90	2.22	11.32	2.26
						18	7.68	2.09	9.73	2.14	9.99	2.18	10.14	2.20	10.31	2.22	10.69	2.27	11.12	2.31
						20	7.68	2.14	9.48	2.19	9.76	2.23	9.92	2.26	10.10	2.28	10.49	2.32	10.93	2.36
						21	7.68	2.17	9.36	2.22	9.65	2.26	9.81	2.28	9.99	2.30	10.39	2.35	10.84	2.39
						23	7.68	2.22	9.13	2.27	9.44	2.32	9.61	2.34	9.79	2.36	10.21	2.40	10.68	2.44
						25	7.68	2.28	8.92	2.33	9.23	2.37	9.41	2.39	9.61	2.42	10.04	2.46	10.52	2.50
						27	7.68	2.34	8.71	2.38	9.05	2.43	9.23	2.45	9.43	2.47	9.88	2.51	10.38	2.55
						29	7.68	2.40	8.52	2.44	8.87	2.49	9.06	2.51	9.27	2.53	9.73	2.57	10.24	2.61
						31	7.68	2.46	8.34	2.51	8.70	2.55	8.91	2.57	9.12	2.59	9.59	2.63	10.12	2.67
						33	7.68	2.52	8.17	2.57	8.55	2.61	8.76	2.63	8.98	2.65	9.47	2.70	10.02	2.73
						35	7.68	2.59	8.02	2.63	8.41	2.68	8.69	2.69	8.86	2.72	9.36	2.76	9.92	2.80
						37	7.68	2.65	7.87	2.70	8.28	2.74	8.51	2.76	8.74	2.78	9.26	2.82	9.84	2.86
						39	7.68	2.72	7.74	2.76	8.16	2.81	8.40	2.83	8.64	2.85	9.18	2.89	9.76	2.93
42	7.68	2.82	7.57	2.87	8.01	2.91	8.25	2.93	8.51	2.95	9.07	2.99	9.68	3.03						
44	7.68	2.89	7.46	2.94	7.92	2.98	8.18	3.00	8.44	3.02	9.01	3.06	9.64	3.10						
46	7.68	2.96	7.38	3.01	7.85	3.05	8.11	3.07	8.38	3.09	8.97	3.13	9.61	3.17						
2000	2000	2000	6800	12800	128%	10	8.02	1.97	11.32	2.02	11.53	2.06	11.66	2.09	11.81	2.11	12.14	2.16	12.52	2.20
						12	8.02	2.02	11.01	2.07	11.24	2.11	11.38	2.14	11.53	2.16	11.87	2.20	12.28	2.25
						14	8.02	2.07	10.72	2.12	10.96	2.16	11.11	2.19	11.27	2.21	11.63	2.25	12.05	2.30
						16	8.02	2.12	10.43	2.17	10.69	2.22	10.85	2.24	11.01	2.26	11.39	2.31	11.83	2.35
						18	8.02	2.17	10.16	2.22	10.44	2.27	10.60	2.29	10.77	2.32	11.17	2.36	11.62	2.40
						20	8.02	2.23	9.91	2.28	10.20	2.32	10.37	2.35	10.55	2.37	10.96	2.41	11.42	2.46
						21	8.02	2.26	9.78	2.31	10.08	2.35	10.25	2.38	10.44	2.40	10.86	2.44	11.33	2.48
						23	8.02	2.31	9.54	2.36	9.86	2.41	10.04	2.43	10.23	2.46	10.67	2.50	11.16	2.54
						25	8.02	2.37	9.32	2.42	9.65	2.47	9.84	2.49	10.04	2.51	10.49	2.56	10.99	2.60
						27	8.02	2.43	9.10	2.48	9.45	2.53	9.65	2.55	9.86	2.57	10.32	2.62	10.84	2.66
						29	8.02	2.50	8.90	2.54	9.27	2.59	9.47	2.61	9.69	2.64	10.17	2.68	10.70	2.72
						31	8.02	2.56	8.71	2.61	9.09	2.65	9.30	2.68	9.53	2.70	10.03	2.74	10.58	2.78
						33	8.02	2.62	8.54	2.67	8.93	2.72	9.15	2.74	9.39	2.76	9.90	2.81	10.46	2.85
						35	8.02	2.69	8.38	2.74	8.79	2.78	9.08	2.80	9.25	2.83	9.78	2.87	10.36	2.91
						37	8.02	2.76	8.23	2.81	8.65	2.85	8.89	2.87	9.14	2.90	9.68	2.94	10.28	2.98
						39	8.02	2.83	8.09	2.88	8.53	2.92	8.77	2.94	9.03	2.96	9.59	3.01	10.20	3.05
42	8.02	2.94	7.91	2.98	8.37	3.03	8.63	3.05	8.89	3.07	9.47	3.11	10.11	3.15						
44	8.02	3.01	7.80	3.06	8.28	3.10	8.54	3.12	8.82	3.14	9.42	3.19	10.07	3.23						
46	8.02	3.08	7.71	3.13	8.20	3.17	8.47	3.20	8.76	3.22	9.37	3.26	10.04	3.30						

12. Capacity Table

Combination (Capacity Index)				Combination (Total)	Combination (%)	Outdoor Temperature (°C,DB)	Indoor Temperature(°C, WB)													
							14		16		18		19		20		22		24	
							TC(kW)	PI(kW)	TC(kW)	PI(kW)	TC(kW)	PI(kW)	TC(kW)	PI(kW)	TC(kW)	PI(kW)	TC(kW)	PI(kW)	TC(kW)	PI(kW)
2000	2000	2500	2500	9000	90%	10	7.69	1.84	10.85	1.89	11.05	1.93	11.17	1.95	11.31	1.98	11.63	2.02	12.00	2.06
						12	7.69	1.89	10.55	1.93	10.77	1.98	10.90	2.00	11.05	2.02	11.38	2.06	11.76	2.10
						14	7.69	1.93	10.27	1.98	10.50	2.03	10.64	2.05	10.79	2.07	11.14	2.11	11.54	2.15
						16	7.69	1.98	10.00	2.03	10.25	2.07	10.39	2.10	10.55	2.12	10.91	2.16	11.33	2.20
						18	7.69	2.03	9.74	2.08	10.00	2.12	10.16	2.15	10.32	2.17	10.70	2.21	11.13	2.25
						20	7.69	2.09	9.49	2.13	9.77	2.18	9.93	2.20	10.11	2.22	10.50	2.26	10.95	2.30
						21	7.69	2.11	9.37	2.16	9.66	2.20	9.82	2.22	10.00	2.24	10.40	2.29	10.86	2.32
						23	7.69	2.17	9.14	2.21	9.45	2.26	9.62	2.28	9.80	2.30	10.22	2.34	10.69	2.38
						25	7.69	2.22	8.93	2.27	9.24	2.31	9.42	2.33	9.62	2.35	10.05	2.39	10.53	2.43
						27	7.69	2.28	8.72	2.32	9.06	2.37	9.24	2.39	9.44	2.41	9.89	2.45	10.39	2.49
						29	7.69	2.34	8.53	2.38	8.88	2.42	9.07	2.45	9.28	2.47	9.74	2.51	10.26	2.54
						31	7.69	2.40	8.35	2.44	8.71	2.48	8.92	2.50	9.13	2.52	9.61	2.56	10.14	2.60
						33	7.69	2.46	8.18	2.50	8.56	2.54	8.77	2.56	8.99	2.59	9.48	2.62	10.03	2.66
						35	7.69	2.52	8.03	2.56	8.42	2.61	8.70	2.62	8.87	2.65	9.37	2.69	9.93	2.72
						37	7.69	2.58	7.88	2.63	8.29	2.67	8.51	2.69	8.75	2.71	9.27	2.75	9.85	2.79
						39	7.69	2.65	7.75	2.69	8.17	2.73	8.41	2.75	8.65	2.77	9.19	2.81	9.78	2.85
						42	7.69	2.75	7.58	2.79	8.02	2.83	8.26	2.85	8.52	2.87	9.08	2.91	9.69	2.95
44	7.69	2.82	7.47	2.86	7.93	2.90	8.19	2.92	8.45	2.94	9.02	2.98	9.65	3.02						
46	7.69	2.89	7.38	2.93	7.86	2.97	8.12	2.99	8.39	3.01	8.98	3.05	9.62	3.09						
2000	2000	2500	3500	10000	100%	10	7.82	1.84	11.03	1.89	11.24	1.93	11.37	1.95	11.51	1.98	11.83	2.02	12.21	2.06
						12	7.82	1.89	10.73	1.93	10.96	1.98	11.09	2.00	11.24	2.02	11.57	2.06	11.97	2.10
						14	7.82	1.93	10.44	1.98	10.68	2.03	10.82	2.05	10.98	2.07	11.33	2.11	11.74	2.15
						16	7.82	1.98	10.17	2.03	10.42	2.07	10.57	2.10	10.73	2.12	11.10	2.16	11.53	2.20
						18	7.82	2.03	9.91	2.08	10.18	2.12	10.33	2.15	10.50	2.17	10.88	2.21	11.32	2.25
						20	7.82	2.09	9.65	2.13	9.94	2.18	10.10	2.20	10.28	2.22	10.68	2.26	11.13	2.30
						21	7.82	2.11	9.53	2.16	9.83	2.20	9.99	2.22	10.18	2.24	10.58	2.29	11.04	2.32
						23	7.82	2.17	9.30	2.21	9.61	2.26	9.78	2.28	9.97	2.30	10.39	2.34	10.87	2.38
						25	7.82	2.22	9.08	2.27	9.40	2.31	9.59	2.33	9.78	2.35	10.22	2.39	10.71	2.43
						27	7.82	2.28	8.87	2.32	9.21	2.37	9.40	2.39	9.61	2.41	10.06	2.45	10.57	2.49
						29	7.82	2.34	8.68	2.38	9.03	2.42	9.23	2.45	9.44	2.47	9.91	2.51	10.43	2.54
						31	7.82	2.40	8.49	2.44	8.86	2.48	9.07	2.50	9.29	2.52	9.77	2.56	10.31	2.60
						33	7.82	2.46	8.32	2.50	8.71	2.54	8.92	2.56	9.15	2.59	9.65	2.62	10.20	2.66
						35	7.82	2.52	8.16	2.56	8.56	2.61	8.85	2.62	9.02	2.65	9.53	2.69	10.10	2.72
						37	7.82	2.58	8.02	2.63	8.43	2.67	8.66	2.69	8.90	2.71	9.43	2.75	10.02	2.79
						39	7.82	2.65	7.88	2.69	8.31	2.73	8.55	2.75	8.80	2.77	9.34	2.81	9.94	2.85
						42	7.82	2.75	7.71	2.79	8.16	2.83	8.41	2.85	8.67	2.87	9.23	2.91	9.86	2.95
44	7.82	2.82	7.60	2.86	8.07	2.90	8.33	2.92	8.60	2.94	9.18	2.98	9.82	3.02						
46	7.82	2.89	7.51	2.93	8.00	2.97	8.26	2.99	8.54	3.01	9.13	3.05	9.79	3.09						

12. Capacity Table

Combination (Capacity Index)				Combination (Total)	Combination (%)	Outdoor Temperature (°C, DB)	Indoor Temperature(°C, WB)													
							14		16		18		19		20		22		24	
							TC(kW)	PI(kW)	TC(kW)	PI(kW)	TC(kW)	PI(kW)	TC(kW)	PI(kW)	TC(kW)	PI(kW)	TC(kW)	PI(kW)	TC(kW)	PI(kW)
2000	2000	2500	5000	11500	115%	10	7.78	1.92	10.97	1.97	11.18	2.01	11.30	2.04	11.44	2.06	11.76	2.10	12.14	2.14
						12	7.78	1.97	10.67	2.01	10.89	2.06	11.03	2.08	11.17	2.11	11.51	2.15	11.90	2.19
						14	7.78	2.02	10.39	2.06	10.62	2.11	10.76	2.13	10.92	2.16	11.27	2.20	11.67	2.24
						16	7.78	2.07	10.11	2.11	10.36	2.16	10.51	2.18	10.67	2.21	11.04	2.25	11.46	2.29
						18	7.78	2.12	9.85	2.17	10.12	2.21	10.27	2.24	10.44	2.26	10.82	2.30	11.26	2.34
						20	7.78	2.17	9.60	2.22	9.88	2.27	10.05	2.29	10.22	2.31	10.62	2.35	11.07	2.39
						21	7.78	2.20	9.48	2.25	9.77	2.29	9.94	2.32	10.12	2.34	10.52	2.38	10.98	2.42
						23	7.78	2.26	9.25	2.30	9.56	2.35	9.73	2.37	9.92	2.39	10.34	2.44	10.81	2.48
						25	7.78	2.31	9.03	2.36	9.35	2.41	9.53	2.43	9.73	2.45	10.16	2.49	10.65	2.53
						27	7.78	2.37	8.82	2.42	9.16	2.47	9.35	2.49	9.55	2.51	10.00	2.55	10.51	2.59
						29	7.78	2.43	8.63	2.48	8.98	2.53	9.18	2.55	9.39	2.57	9.85	2.61	10.37	2.65
						31	7.78	2.50	8.45	2.54	8.81	2.59	9.02	2.61	9.24	2.63	9.72	2.67	10.25	2.71
						33	7.78	2.56	8.28	2.61	8.66	2.65	8.87	2.67	9.10	2.69	9.59	2.74	10.14	2.78
						35	7.78	2.62	8.12	2.67	8.52	2.71	8.80	2.73	8.97	2.76	9.48	2.80	10.05	2.84
						37	7.78	2.69	7.97	2.74	8.39	2.78	8.61	2.80	8.85	2.82	9.38	2.86	9.96	2.90
						39	7.78	2.76	7.84	2.80	8.27	2.85	8.50	2.87	8.75	2.89	9.29	2.93	9.89	2.97
42	7.78	2.86	7.66	2.91	8.11	2.95	8.36	2.97	8.62	2.99	9.18	3.04	9.80	3.07						
44	7.78	2.93	7.56	2.98	8.03	3.02	8.28	3.04	8.55	3.07	9.13	3.11	9.76	3.14						
46	7.78	3.01	7.47	3.05	7.95	3.10	8.21	3.12	8.49	3.14	9.08	3.18	9.73	3.22						
2000	2000	2500	6800	13300	133%	10	10.30	1.96	10.70	2.01	11.11	2.05	11.32	2.07	11.53	2.09	11.95	2.13	12.38	2.17
						12	10.12	2.02	10.53	2.06	10.94	2.10	11.15	2.12	11.35	2.14	11.78	2.19	12.21	2.23
						14	9.94	2.07	10.35	2.11	10.76	2.16	10.97	2.18	11.18	2.20	11.60	2.24	12.03	2.28
						16	9.76	2.13	10.17	2.17	10.58	2.21	10.79	2.23	11.00	2.25	11.43	2.30	11.86	2.34
						18	9.59	2.18	9.99	2.22	10.41	2.27	10.62	2.29	10.83	2.31	11.25	2.35	11.69	2.40
						20	9.41	2.24	9.82	2.28	10.23	2.32	10.44	2.35	10.65	2.37	11.08	2.41	11.51	2.45
						21	9.32	2.27	9.73	2.31	10.15	2.35	10.35	2.37	10.57	2.40	10.99	2.44	11.43	2.48
						23	9.15	2.32	9.55	2.37	9.97	2.41	10.18	2.43	10.39	2.46	10.82	2.50	11.25	2.54
						25	8.97	2.38	9.38	2.43	9.80	2.47	10.01	2.49	10.22	2.51	10.65	2.56	11.08	2.60
						27	8.79	2.44	9.20	2.49	9.62	2.53	9.83	2.55	10.05	2.58	10.47	2.62	10.91	2.66
						29	8.62	2.50	9.03	2.55	9.45	2.59	9.66	2.62	9.87	2.64	10.30	2.68	10.74	2.73
						31	8.44	2.57	8.86	2.61	9.28	2.66	9.49	2.68	9.70	2.70	10.13	2.75	10.57	2.79
						33	8.27	2.63	8.68	2.67	9.10	2.72	9.32	2.74	9.53	2.76	9.96	2.81	10.40	2.85
						35	8.10	2.69	8.51	2.74	8.93	2.78	9.16	2.80	9.36	2.83	9.79	2.87	10.23	2.92
						37	7.92	2.76	8.34	2.80	8.76	2.85	8.97	2.87	9.19	2.89	9.62	2.94	10.06	2.99
						39	7.75	2.82	8.17	2.87	8.59	2.92	8.80	2.94	9.02	2.96	9.45	3.01	9.89	3.05
42	7.49	2.92	7.91	2.97	8.33	3.02	8.55	3.04	8.76	3.06	9.20	3.11	9.64	3.16						
44	7.32	2.99	7.74	3.04	8.16	3.09	8.38	3.11	8.59	3.13	9.03	3.18	9.47	3.23						
46	7.15	3.06	7.57	3.11	7.99	3.16	8.21	3.18	8.42	3.20	8.86	3.25	9.30	3.30						

12. Capacity Table

Combination (Capacity Index)				Combination (Total)	Combination (%)	Outdoor Temperature (°C,DB)	Indoor Temperature(°C, WB)													
							14		16		18		19		20		22		24	
							TC(kW)	PI(kW)	TC(kW)	PI(kW)	TC(kW)	PI(kW)	TC(kW)	PI(kW)	TC(kW)	PI(kW)	TC(kW)	PI(kW)	TC(kW)	PI(kW)
2000	2000	3500	3500	11000	110%	10	7.69	1.88	10.85	1.93	11.05	1.98	11.17	2.00	11.31	2.02	11.63	2.06	12.00	2.10
						12	7.69	1.93	10.55	1.98	10.77	2.02	10.90	2.05	11.05	2.07	11.38	2.11	11.76	2.15
						14	7.69	1.98	10.27	2.03	10.50	2.07	10.64	2.09	10.79	2.12	11.14	2.16	11.54	2.20
						16	7.69	2.03	10.00	2.08	10.25	2.12	10.39	2.14	10.55	2.17	10.91	2.21	11.33	2.25
						18	7.69	2.08	9.74	2.13	10.00	2.17	10.16	2.19	10.32	2.22	10.70	2.26	11.13	2.30
						20	7.69	2.13	9.49	2.18	9.77	2.23	9.93	2.25	10.11	2.27	10.50	2.31	10.95	2.35
						21	7.69	2.16	9.37	2.21	9.66	2.25	9.82	2.27	10.00	2.30	10.40	2.34	10.86	2.38
						23	7.69	2.22	9.14	2.26	9.45	2.31	9.62	2.33	9.80	2.35	10.22	2.39	10.69	2.43
						25	7.69	2.27	8.93	2.32	9.24	2.36	9.42	2.38	9.62	2.41	10.05	2.45	10.53	2.49
						27	7.69	2.33	8.72	2.38	9.06	2.42	9.24	2.44	9.44	2.46	9.89	2.50	10.39	2.54
						29	7.69	2.39	8.53	2.44	8.88	2.48	9.07	2.50	9.28	2.52	9.74	2.56	10.26	2.60
						31	7.69	2.45	8.35	2.50	8.71	2.54	8.92	2.56	9.13	2.58	9.61	2.62	10.14	2.66
						33	7.69	2.51	8.18	2.56	8.56	2.60	8.77	2.62	8.99	2.64	9.48	2.69	10.03	2.72
						35	7.69	2.58	8.03	2.62	8.42	2.67	8.70	2.68	8.87	2.71	9.37	2.75	9.93	2.79
						37	7.69	2.64	7.88	2.69	8.29	2.73	8.51	2.75	8.75	2.77	9.27	2.81	9.85	2.85
						39	7.69	2.71	7.75	2.75	8.17	2.80	8.41	2.82	8.65	2.84	9.19	2.88	9.78	2.92
42	7.69	2.81	7.58	2.85	8.02	2.90	8.26	2.92	8.52	2.94	9.08	2.98	9.69	3.02						
44	7.69	2.88	7.47	2.92	7.93	2.97	8.19	2.99	8.45	3.01	9.02	3.05	9.65	3.09						
46	7.69	2.95	7.38	3.00	7.86	3.04	8.12	3.06	8.39	3.08	8.98	3.12	9.62	3.16						
2000	2000	3500	5000	12500	125%	10	7.95	1.96	11.22	2.01	11.43	2.06	11.56	2.08	11.70	2.10	12.03	2.15	12.41	2.19
						12	7.95	2.01	10.91	2.06	11.14	2.11	11.28	2.13	11.43	2.15	11.77	2.20	12.17	2.24
						14	7.95	2.06	10.62	2.11	10.86	2.16	11.01	2.18	11.17	2.20	11.52	2.25	11.94	2.29
						16	7.95	2.11	10.34	2.16	10.60	2.21	10.75	2.23	10.92	2.25	11.29	2.30	11.72	2.34
						18	7.95	2.17	10.07	2.21	10.35	2.26	10.51	2.28	10.68	2.31	11.07	2.35	11.52	2.39
						20	7.95	2.22	9.82	2.27	10.11	2.32	10.27	2.34	10.46	2.36	10.86	2.41	11.32	2.45
						21	7.95	2.25	9.70	2.30	9.99	2.34	10.16	2.37	10.35	2.39	10.76	2.43	11.23	2.48
						23	7.95	2.31	9.46	2.35	9.77	2.40	9.95	2.42	10.14	2.45	10.57	2.49	11.06	2.53
						25	7.95	2.37	9.23	2.41	9.56	2.46	9.75	2.48	9.95	2.50	10.39	2.55	10.89	2.59
						27	7.95	2.43	9.02	2.47	9.37	2.52	9.56	2.54	9.77	2.56	10.23	2.61	10.75	2.65
						29	7.95	2.49	8.82	2.54	9.18	2.58	9.39	2.60	9.60	2.63	10.08	2.67	10.61	2.71
						31	7.95	2.55	8.64	2.60	9.01	2.64	9.22	2.67	9.45	2.69	9.94	2.73	10.48	2.77
						33	7.95	2.62	8.46	2.66	8.86	2.71	9.07	2.73	9.30	2.75	9.81	2.80	10.37	2.84
						35	7.95	2.68	8.30	2.73	8.71	2.77	9.00	2.79	9.17	2.82	9.69	2.86	10.27	2.90
						37	7.95	2.75	8.15	2.80	8.58	2.84	8.81	2.86	9.06	2.89	9.59	2.93	10.19	2.97
						39	7.95	2.82	8.02	2.87	8.46	2.91	8.70	2.93	8.95	2.95	9.50	3.00	10.11	3.04
42	7.95	2.93	7.84	2.97	8.30	3.02	8.55	3.04	8.82	3.06	9.39	3.10	10.02	3.14						
44	7.95	3.00	7.73	3.04	8.21	3.09	8.47	3.11	8.74	3.13	9.33	3.17	9.98	3.21						
46	7.95	3.07	7.64	3.12	8.13	3.16	8.40	3.19	8.68	3.21	9.29	3.25	9.95	3.29						

12. Capacity Table

Combination (Capacity Index)				Combination (Total)	Combination (%)	Outdoor Temperature (°C, DB)	Indoor Temperature(°C, WB)															
							14		16		18		19		20		22		24			
							TC(kW)	PI(kW)	TC(kW)	PI(kW)	TC(kW)	PI(kW)	TC(kW)	PI(kW)	TC(kW)	PI(kW)	TC(kW)	PI(kW)	TC(kW)	PI(kW)		
2000	2000	3500	6800	14300	143%	10	10.52	1.94	10.94	1.98	11.36	2.02	11.57	2.04	11.78	2.06	12.22	2.10	12.65	2.14		
						12	10.34	1.99	10.76	2.03	11.18	2.07	11.39	2.09	11.60	2.11	12.04	2.15	12.47	2.20		
						14	10.16	2.04	10.57	2.08	11.00	2.12	11.21	2.15	11.42	2.17	11.86	2.21	12.30	2.25		
						16	9.98	2.09	10.39	2.14	10.82	2.18	11.03	2.20	11.24	2.22	11.68	2.26	12.12	2.31		
						18	9.80	2.15	10.21	2.19	10.64	2.23	10.85	2.26	11.06	2.28	11.50	2.32	11.94	2.36		
						20	9.62	2.21	10.03	2.25	10.46	2.29	10.67	2.31	10.89	2.33	11.32	2.38	11.76	2.42		
						21	9.52	2.23	9.94	2.28	10.37	2.32	10.58	2.34	10.80	2.36	11.23	2.40	11.68	2.45		
						23	9.34	2.29	9.76	2.33	10.19	2.38	10.40	2.40	10.62	2.42	11.06	2.46	11.50	2.51		
						25	9.17	2.35	9.58	2.39	10.01	2.44	10.23	2.46	10.44	2.48	10.88	2.52	11.32	2.57		
						27	8.99	2.41	9.41	2.45	9.83	2.50	10.05	2.52	10.26	2.54	10.70	2.58	11.15	2.63		
						29	8.81	2.47	9.23	2.51	9.65	2.56	9.87	2.58	10.09	2.60	10.53	2.64	10.97	2.69		
						31	8.63	2.53	9.05	2.57	9.48	2.62	9.69	2.64	9.91	2.66	10.35	2.71	10.80	2.75		
						33	8.45	2.59	8.87	2.64	9.30	2.68	9.52	2.70	9.74	2.72	10.18	2.77	10.63	2.81		
						35	8.27	2.65	8.70	2.70	9.13	2.74	9.36	2.76	9.56	2.79	10.00	2.83	10.45	2.88		
						37	8.10	2.72	8.52	2.76	8.95	2.81	9.17	2.83	9.39	2.85	9.83	2.90	10.28	2.94		
						39	7.92	2.78	8.34	2.83	8.78	2.87	8.99	2.90	9.21	2.92	9.66	2.96	10.11	3.01		
42	7.66	2.88	8.08	2.93	8.51	2.97	8.73	3.00	8.95	3.02	9.40	3.06	9.85	3.11								
44	7.48	2.95	7.91	3.00	8.34	3.04	8.56	3.06	8.78	3.09	9.23	3.13	9.68	3.18								
46	7.31	3.02	7.73	3.06	8.17	3.11	8.39	3.13	8.61	3.16	9.05	3.20	9.51	3.25								
2000	2000	5000	5000	14000	140%	10	10.46	2.00	10.87	2.04	11.28	2.08	11.50	2.11	11.71	2.13	12.14	2.17	12.57	2.21		
						12	10.28	2.05	10.69	2.10	11.10	2.14	11.32	2.16	11.53	2.18	11.96	2.22	12.39	2.27		
						14	10.09	2.11	10.51	2.15	10.92	2.19	11.14	2.22	11.35	2.24	11.78	2.28	12.22	2.32		
						16	9.91	2.16	10.33	2.21	10.75	2.25	10.96	2.27	11.17	2.29	11.60	2.34	12.04	2.38		
						18	9.73	2.22	10.15	2.26	10.57	2.31	10.78	2.33	10.99	2.35	11.43	2.39	11.86	2.44		
						20	9.55	2.28	9.97	2.32	10.39	2.37	10.60	2.39	10.82	2.41	11.25	2.45	11.69	2.50		
						21	9.46	2.31	9.88	2.35	10.30	2.39	10.51	2.42	10.73	2.44	11.16	2.48	11.60	2.53		
						23	9.28	2.37	9.70	2.41	10.12	2.45	10.34	2.48	10.55	2.50	10.99	2.54	11.43	2.59		
						25	9.11	2.43	9.52	2.47	9.95	2.52	10.16	2.54	10.37	2.56	10.81	2.60	11.25	2.65		
						27	8.93	2.49	9.35	2.53	9.77	2.58	9.98	2.60	10.20	2.62	10.63	2.67	11.08	2.71		
						29	8.75	2.55	9.17	2.59	9.59	2.64	9.81	2.66	10.02	2.68	10.46	2.73	10.90	2.78		
						31	8.57	2.61	8.99	2.66	9.42	2.70	9.63	2.73	9.85	2.75	10.29	2.79	10.73	2.84		
						33	8.40	2.68	8.82	2.72	9.24	2.77	9.46	2.79	9.67	2.81	10.11	2.86	10.56	2.91		
						35	8.22	2.74	8.64	2.79	9.07	2.83	9.30	2.85	9.50	2.88	9.94	2.93	10.38	2.97		
						37	8.04	2.81	8.47	2.85	8.89	2.90	9.11	2.92	9.33	2.95	9.77	2.99	10.21	3.04		
						39	7.87	2.87	8.29	2.92	8.72	2.97	8.94	2.99	9.15	3.01	9.59	3.06	10.04	3.11		
42	7.61	2.98	8.03	3.02	8.46	3.07	8.68	3.09	8.90	3.12	9.34	3.16	9.79	3.21								
44	7.43	3.05	7.86	3.09	8.29	3.14	8.50	3.16	8.72	3.19	9.17	3.24	9.61	3.28								
46	7.26	3.12	7.68	3.16	8.11	3.21	8.33	3.24	8.55	3.26	9.00	3.31	9.45	3.35								

12. Capacity Table

Combination (Capacity Index)				Combination (Total)	Combination (%)	Outdoor Temperature (°C, DB)	Indoor Temperature(°C, WB)															
							14		16		18		19		20		22		24			
							TC(kW)	PI(kW)	TC(kW)	PI(kW)	TC(kW)	PI(kW)	TC(kW)	PI(kW)	TC(kW)	PI(kW)	TC(kW)	PI(kW)	TC(kW)	PI(kW)		
2000	2000	5000	6800	15800	158%	10	11.02	2.01	11.45	2.06	11.89	2.10	12.11	2.12	12.34	2.14	12.79	2.19	13.25	2.23		
						12	10.83	2.07	11.26	2.11	11.70	2.15	11.92	2.18	12.15	2.20	12.60	2.24	13.06	2.28		
						14	10.64	2.12	11.07	2.17	11.51	2.21	11.74	2.23	11.96	2.25	12.41	2.30	12.87	2.34		
						16	10.45	2.18	10.88	2.22	11.32	2.27	11.55	2.29	11.77	2.31	12.23	2.35	12.69	2.40		
						18	10.26	2.24	10.69	2.28	11.14	2.32	11.36	2.35	11.58	2.37	12.04	2.41	12.50	2.46		
						20	10.07	2.29	10.50	2.34	10.95	2.38	11.17	2.40	11.40	2.43	11.85	2.47	12.32	2.52		
						21	9.97	2.32	10.41	2.37	10.85	2.41	11.08	2.43	11.30	2.46	11.76	2.50	12.22	2.55		
						23	9.78	2.38	10.22	2.43	10.67	2.47	10.89	2.49	11.12	2.52	11.58	2.56	12.04	2.61		
						25	9.60	2.44	10.03	2.49	10.48	2.53	10.71	2.56	10.93	2.58	11.39	2.62	11.86	2.67		
						27	9.41	2.50	9.85	2.55	10.29	2.59	10.52	2.62	10.75	2.64	11.21	2.69	11.67	2.73		
						29	9.22	2.57	9.66	2.61	10.11	2.66	10.33	2.68	10.56	2.70	11.02	2.75	11.49	2.79		
						31	9.03	2.63	9.48	2.68	9.92	2.72	10.15	2.74	10.38	2.77	10.84	2.81	11.31	2.86		
						33	8.85	2.69	9.29	2.74	9.74	2.79	9.97	2.81	10.19	2.83	10.66	2.88	11.12	2.93		
						35	8.66	2.76	9.11	2.81	9.55	2.85	9.80	2.87	10.01	2.90	10.47	2.95	10.94	2.99		
						37	8.48	2.83	8.92	2.87	9.37	2.92	9.60	2.94	9.83	2.97	10.29	3.01	10.76	3.06		
						39	8.29	2.89	8.74	2.94	9.19	2.99	9.42	3.01	9.65	3.04	10.11	3.08	10.58	3.13		
42	8.02	3.00	8.46	3.04	8.91	3.09	9.14	3.12	9.37	3.14	9.84	3.19	10.31	3.23								
44	7.83	3.07	8.28	3.11	8.73	3.16	8.96	3.19	9.19	3.21	9.66	3.26	10.13	3.31								
46	7.65	3.14	8.10	3.19	8.55	3.23	8.78	3.26	9.01	3.28	9.48	3.33	9.95	3.38								
2000	2500	2500	2500	9500	95%	10	7.76	1.84	10.95	1.89	11.15	1.93	11.28	1.95	11.42	1.98	11.73	2.02	12.11	2.06		
						12	7.76	1.89	10.65	1.93	10.87	1.98	11.00	2.00	11.15	2.02	11.48	2.06	11.87	2.10		
						14	7.76	1.93	10.36	1.98	10.60	2.03	10.74	2.05	10.89	2.07	11.24	2.11	11.65	2.15		
						16	7.76	1.98	10.09	2.03	10.34	2.07	10.49	2.10	10.65	2.12	11.01	2.16	11.44	2.20		
						18	7.76	2.03	9.83	2.08	10.10	2.12	10.25	2.15	10.42	2.17	10.80	2.21	11.23	2.25		
						20	7.76	2.09	9.58	2.13	9.86	2.18	10.02	2.20	10.20	2.22	10.60	2.26	11.05	2.30		
						21	7.76	2.11	9.46	2.16	9.75	2.20	9.92	2.22	10.10	2.24	10.50	2.29	10.96	2.32		
						23	7.76	2.17	9.23	2.21	9.53	2.26	9.71	2.28	9.90	2.30	10.31	2.34	10.79	2.38		
						25	7.76	2.22	9.01	2.27	9.33	2.31	9.51	2.33	9.71	2.35	10.14	2.39	10.63	2.43		
						27	7.76	2.28	8.80	2.32	9.14	2.37	9.33	2.39	9.53	2.41	9.98	2.45	10.48	2.49		
						29	7.76	2.34	8.61	2.38	8.96	2.42	9.16	2.45	9.37	2.47	9.83	2.51	10.35	2.54		
						31	7.76	2.40	8.43	2.44	8.79	2.48	9.00	2.50	9.22	2.52	9.69	2.56	10.23	2.60		
						33	7.76	2.46	8.26	2.50	8.64	2.54	8.85	2.56	9.08	2.59	9.57	2.62	10.12	2.66		
						35	7.76	2.52	8.10	2.56	8.50	2.61	8.78	2.62	8.95	2.65	9.46	2.69	10.02	2.72		
						37	7.76	2.58	7.95	2.63	8.37	2.67	8.59	2.69	8.83	2.71	9.36	2.75	9.94	2.79		
						39	7.76	2.65	7.82	2.69	8.25	2.73	8.48	2.75	8.73	2.77	9.27	2.81	9.87	2.85		
42	7.76	2.75	7.64	2.79	8.09	2.83	8.34	2.85	8.60	2.87	9.16	2.91	9.78	2.95								
44	7.76	2.82	7.54	2.86	8.01	2.90	8.26	2.92	8.53	2.94	9.10	2.98	9.74	3.02								
46	7.76	2.89	7.45	2.93	7.93	2.97	8.19	2.99	8.47	3.01	9.06	3.05	9.71	3.09								

12. Capacity Table

Combination (Capacity Index)				Combination (Total)	Combination (%)	Outdoor Temperature (°C, DB)	Indoor Temperature(°C, WB)													
							14		16		18		19		20		22		24	
							TC(kW)	PI(kW)	TC(kW)	PI(kW)	TC(kW)	PI(kW)	TC(kW)	PI(kW)	TC(kW)	PI(kW)	TC(kW)	PI(kW)	TC(kW)	PI(kW)
2000	2500	2500	3500	10500	105%	10	7.90	1.88	11.14	1.92	11.36	1.97	11.48	1.99	11.62	2.01	11.95	2.06	12.33	2.10
						12	7.90	1.92	10.84	1.97	11.07	2.02	11.20	2.04	11.35	2.06	11.69	2.10	12.09	2.14
						14	7.90	1.97	10.55	2.02	10.79	2.06	10.93	2.09	11.09	2.11	11.45	2.15	11.86	2.19
						16	7.90	2.02	10.27	2.07	10.53	2.11	10.68	2.14	10.84	2.16	11.22	2.20	11.64	2.24
						18	7.90	2.07	10.01	2.12	10.28	2.16	10.44	2.19	10.61	2.21	11.00	2.25	11.44	2.29
						20	7.90	2.13	9.75	2.17	10.04	2.22	10.21	2.24	10.39	2.26	10.79	2.30	11.25	2.34
						21	7.90	2.15	9.63	2.20	9.93	2.24	10.10	2.27	10.28	2.29	10.69	2.33	11.16	2.37
						23	7.90	2.21	9.40	2.25	9.71	2.30	9.88	2.32	10.08	2.34	10.50	2.38	10.98	2.42
						25	7.90	2.26	9.17	2.31	9.50	2.35	9.68	2.38	9.88	2.40	10.32	2.44	10.82	2.48
						27	7.90	2.32	8.96	2.37	9.31	2.41	9.50	2.43	9.70	2.45	10.16	2.50	10.67	2.54
						29	7.90	2.38	8.77	2.43	9.12	2.47	9.32	2.49	9.54	2.51	10.01	2.55	10.54	2.59
						31	7.90	2.44	8.58	2.49	8.95	2.53	9.16	2.55	9.38	2.57	9.87	2.61	10.41	2.65
						33	7.90	2.50	8.41	2.55	8.80	2.59	9.01	2.61	9.24	2.63	9.74	2.68	10.30	2.71
						35	7.90	2.57	8.25	2.61	8.65	2.66	8.94	2.67	9.11	2.70	9.63	2.74	10.20	2.78
						37	7.90	2.63	8.10	2.68	8.52	2.72	8.75	2.74	8.99	2.76	9.53	2.80	10.12	2.84
						39	7.90	2.70	7.96	2.74	8.40	2.79	8.64	2.81	8.89	2.83	9.44	2.87	10.05	2.91
42	7.90	2.80	7.78	2.84	8.24	2.89	8.49	2.91	8.76	2.93	9.33	2.97	9.96	3.01						
44	7.90	2.87	7.68	2.91	8.15	2.96	8.41	2.98	8.68	3.00	9.27	3.04	9.91	3.08						
46	7.90	2.94	7.59	2.98	8.08	3.03	8.34	3.05	8.62	3.07	9.22	3.11	9.88	3.15						
2000	2500	2500	5000	12000	120%	10	7.85	1.92	11.07	1.97	11.28	2.01	11.41	2.04	11.55	2.06	11.87	2.10	12.25	2.14
						12	7.85	1.97	10.77	2.01	10.99	2.06	11.13	2.08	11.28	2.11	11.61	2.15	12.01	2.19
						14	7.85	2.02	10.48	2.06	10.72	2.11	10.86	2.13	11.02	2.16	11.37	2.20	11.78	2.24
						16	7.85	2.07	10.20	2.11	10.46	2.16	10.61	2.18	10.77	2.21	11.14	2.25	11.57	2.29
						18	7.85	2.12	9.94	2.17	10.21	2.21	10.37	2.24	10.54	2.26	10.92	2.30	11.36	2.34
						20	7.85	2.17	9.69	2.22	9.97	2.27	10.14	2.29	10.32	2.31	10.72	2.35	11.17	2.39
						21	7.85	2.20	9.57	2.25	9.86	2.29	10.03	2.32	10.21	2.34	10.62	2.38	11.08	2.42
						23	7.85	2.26	9.33	2.30	9.64	2.35	9.82	2.37	10.01	2.39	10.43	2.44	10.91	2.48
						25	7.85	2.31	9.11	2.36	9.44	2.41	9.62	2.43	9.82	2.45	10.26	2.49	10.75	2.53
						27	7.85	2.37	8.90	2.42	9.24	2.47	9.43	2.49	9.64	2.51	10.09	2.55	10.60	2.59
						29	7.85	2.43	8.71	2.48	9.06	2.53	9.26	2.55	9.47	2.57	9.94	2.61	10.47	2.65
						31	7.85	2.50	8.52	2.54	8.89	2.59	9.10	2.61	9.32	2.63	9.80	2.67	10.34	2.71
						33	7.85	2.56	8.35	2.61	8.74	2.65	8.95	2.67	9.18	2.69	9.68	2.74	10.23	2.78
						35	7.85	2.62	8.19	2.67	8.59	2.71	8.88	2.73	9.05	2.76	9.57	2.80	10.14	2.84
						37	7.85	2.69	8.05	2.74	8.46	2.78	8.69	2.80	8.93	2.82	9.46	2.86	10.05	2.90
						39	7.85	2.76	7.91	2.80	8.34	2.85	8.58	2.87	8.83	2.89	9.38	2.93	9.98	2.97
42	7.85	2.86	7.73	2.91	8.19	2.95	8.44	2.97	8.70	2.99	9.27	3.04	9.89	3.07						
44	7.85	2.93	7.63	2.98	8.10	3.02	8.35	3.04	8.62	3.07	9.21	3.11	9.85	3.14						
46	7.85	3.01	7.54	3.05	8.02	3.10	8.29	3.12	8.56	3.14	9.16	3.18	9.82	3.22						

12. Capacity Table

Combination (Capacity Index)				Combination (Total)	Combination (%)	Outdoor Temperature (°C,DB)	Indoor Temperature(°C, WB)													
							14		16		18		19		20		22		24	
							TC(kW)	PI(kW)	TC(kW)	PI(kW)	TC(kW)	PI(kW)	TC(kW)	PI(kW)	TC(kW)	PI(kW)	TC(kW)	PI(kW)	TC(kW)	PI(kW)
2000	2500	2500	6800	13800	138%	10	10.41	2.00	10.82	2.04	11.24	2.08	11.45	2.11	11.66	2.13	12.08	2.17	12.52	2.21
						12	10.23	2.05	10.64	2.10	11.06	2.14	11.27	2.16	11.48	2.18	11.91	2.22	12.34	2.27
						14	10.05	2.11	10.46	2.15	10.88	2.19	11.09	2.22	11.30	2.24	11.73	2.28	12.16	2.32
						16	9.87	2.16	10.28	2.21	10.70	2.25	10.91	2.27	11.12	2.29	11.55	2.34	11.99	2.38
						18	9.69	2.22	10.10	2.26	10.52	2.31	10.73	2.33	10.95	2.35	11.38	2.39	11.81	2.44
						20	9.51	2.28	9.93	2.32	10.34	2.37	10.56	2.39	10.77	2.41	11.20	2.45	11.64	2.50
						21	9.42	2.31	9.84	2.35	10.26	2.39	10.47	2.42	10.68	2.44	11.11	2.48	11.55	2.53
						23	9.24	2.37	9.66	2.41	10.08	2.45	10.29	2.48	10.51	2.50	10.94	2.54	11.38	2.59
						25	9.07	2.43	9.48	2.47	9.90	2.52	10.12	2.54	10.33	2.56	10.76	2.60	11.20	2.65
						27	8.89	2.49	9.31	2.53	9.73	2.58	9.94	2.60	10.16	2.62	10.59	2.67	11.03	2.71
						29	8.71	2.55	9.13	2.59	9.55	2.64	9.77	2.66	9.98	2.68	10.42	2.73	10.86	2.78
						31	8.54	2.61	8.95	2.66	9.38	2.70	9.59	2.73	9.81	2.75	10.24	2.79	10.68	2.84
						33	8.36	2.68	8.78	2.72	9.20	2.77	9.42	2.79	9.63	2.81	10.07	2.86	10.51	2.91
						35	8.18	2.74	8.60	2.79	9.03	2.83	9.26	2.85	9.46	2.88	9.90	2.93	10.34	2.97
						37	8.01	2.81	8.43	2.85	8.85	2.90	9.07	2.92	9.29	2.95	9.72	2.99	10.17	3.04
						39	7.84	2.87	8.26	2.92	8.68	2.97	8.90	2.99	9.11	3.01	9.55	3.06	10.00	3.11
						42	7.57	2.98	8.00	3.02	8.42	3.07	8.64	3.09	8.86	3.12	9.30	3.16	9.74	3.21
44	7.40	3.05	7.82	3.09	8.25	3.14	8.47	3.16	8.69	3.19	9.13	3.24	9.57	3.28						
46	7.23	3.12	7.65	3.16	8.08	3.21	8.30	3.24	8.52	3.26	8.96	3.31	9.40	3.35						
2000	2500	3500	3500	11500	115%	10	7.78	1.91	10.97	1.96	11.18	2.01	11.30	2.03	11.44	2.05	11.76	2.09	12.14	2.14
						12	7.78	1.96	10.67	2.01	10.89	2.05	11.03	2.08	11.17	2.10	11.51	2.14	11.90	2.18
						14	7.78	2.01	10.39	2.06	10.62	2.10	10.76	2.13	10.92	2.15	11.27	2.19	11.67	2.23
						16	7.78	2.06	10.11	2.11	10.36	2.15	10.51	2.18	10.67	2.20	11.04	2.24	11.46	2.28
						18	7.78	2.11	9.85	2.16	10.12	2.21	10.27	2.23	10.44	2.25	10.82	2.29	11.26	2.33
						20	7.78	2.17	9.60	2.21	9.88	2.26	10.05	2.28	10.22	2.30	10.62	2.35	11.07	2.39
						21	7.78	2.19	9.48	2.24	9.77	2.29	9.94	2.31	10.12	2.33	10.52	2.37	10.98	2.41
						23	7.78	2.25	9.25	2.30	9.56	2.34	9.73	2.36	9.92	2.39	10.34	2.43	10.81	2.47
						25	7.78	2.31	9.03	2.35	9.35	2.40	9.53	2.42	9.73	2.44	10.16	2.48	10.65	2.52
						27	7.78	2.36	8.82	2.41	9.16	2.46	9.35	2.48	9.55	2.50	10.00	2.54	10.51	2.58
						29	7.78	2.43	8.63	2.47	8.98	2.52	9.18	2.54	9.39	2.56	9.85	2.60	10.37	2.64
						31	7.78	2.49	8.45	2.53	8.81	2.58	9.02	2.60	9.24	2.62	9.72	2.66	10.25	2.70
						33	7.78	2.55	8.28	2.60	8.66	2.64	8.87	2.66	9.10	2.68	9.59	2.73	10.14	2.76
						35	7.78	2.61	8.12	2.66	8.52	2.71	8.80	2.72	8.97	2.75	9.48	2.79	10.05	2.83
						37	7.78	2.68	7.97	2.73	8.39	2.77	8.61	2.79	8.85	2.81	9.38	2.85	9.96	2.89
						39	7.78	2.75	7.84	2.79	8.27	2.84	8.50	2.86	8.75	2.88	9.29	2.92	9.89	2.96
						42	7.78	2.85	7.66	2.90	8.11	2.94	8.36	2.96	8.62	2.98	9.18	3.02	9.80	3.06
44	7.78	2.92	7.56	2.97	8.03	3.01	8.28	3.03	8.55	3.05	9.13	3.09	9.76	3.13						
46	7.78	3.00	7.47	3.04	7.95	3.08	8.21	3.11	8.49	3.13	9.08	3.17	9.73	3.20						

12. Capacity Table

Combination (Capacity Index)				Combination (Total)	Combination (%)	Outdoor Temperature (°C, DB)	Indoor Temperature(°C, WB)													
							14		16		18		19		20		22		24	
							TC(kW)	PI(kW)	TC(kW)	PI(kW)	TC(kW)	PI(kW)	TC(kW)	PI(kW)	TC(kW)	PI(kW)	TC(kW)	PI(kW)	TC(kW)	PI(kW)
2000	2500	3500	5000	13000	130%	10	10.23	1.96	10.63	2.00	11.04	2.04	11.25	2.06	11.46	2.08	11.88	2.12	12.30	2.17
						12	10.05	2.01	10.46	2.05	10.87	2.09	11.07	2.12	11.28	2.14	11.70	2.18	12.13	2.22
						14	9.88	2.06	10.28	2.11	10.69	2.15	10.90	2.17	11.11	2.19	11.53	2.23	11.95	2.27
						16	9.70	2.12	10.10	2.16	10.51	2.20	10.72	2.22	10.93	2.25	11.35	2.29	11.78	2.33
						18	9.52	2.17	9.93	2.22	10.34	2.26	10.55	2.28	10.76	2.30	11.18	2.34	11.61	2.39
						20	9.35	2.23	9.75	2.27	10.17	2.32	10.37	2.34	10.58	2.36	11.01	2.40	11.44	2.45
						21	9.26	2.26	9.67	2.30	10.08	2.34	10.29	2.37	10.50	2.39	10.92	2.43	11.35	2.47
						23	9.09	2.32	9.49	2.36	9.91	2.40	10.11	2.42	10.32	2.45	10.75	2.49	11.18	2.53
						25	8.91	2.37	9.32	2.42	9.73	2.46	9.94	2.48	10.15	2.51	10.58	2.55	11.01	2.59
						27	8.74	2.43	9.14	2.48	9.56	2.52	9.77	2.54	9.98	2.57	10.41	2.61	10.84	2.65
						29	8.56	2.49	8.97	2.54	9.39	2.58	9.60	2.61	9.81	2.63	10.24	2.67	10.67	2.72
						31	8.39	2.56	8.80	2.60	9.21	2.65	9.43	2.67	9.64	2.69	10.07	2.74	10.50	2.78
						33	8.22	2.62	8.63	2.66	9.04	2.71	9.25	2.73	9.47	2.75	9.90	2.80	10.33	2.84
						35	8.04	2.68	8.45	2.73	8.87	2.77	9.10	2.79	9.30	2.82	9.73	2.86	10.16	2.91
						37	7.87	2.75	8.28	2.79	8.70	2.84	8.91	2.86	9.13	2.88	9.56	2.93	9.99	2.98
						39	7.70	2.81	8.11	2.86	8.53	2.90	8.74	2.93	8.96	2.95	9.39	3.00	9.83	3.04
42	7.44	2.91	7.86	2.96	8.28	3.01	8.49	3.03	8.70	3.05	9.14	3.10	9.57	3.14						
44	7.27	2.98	7.69	3.03	8.11	3.07	8.32	3.10	8.54	3.12	8.97	3.17	9.41	3.21						
46	7.10	3.05	7.52	3.10	7.94	3.14	8.15	3.17	8.37	3.19	8.80	3.24	9.24	3.28						
2000	2500	3500	6800	14800	148%	10	10.65	1.97	11.07	2.01	11.49	2.06	11.71	2.08	11.92	2.10	12.36	2.14	12.80	2.18
						12	10.46	2.02	10.88	2.07	11.31	2.11	11.52	2.13	11.74	2.15	12.18	2.19	12.62	2.24
						14	10.28	2.08	10.70	2.12	11.12	2.16	11.34	2.18	11.56	2.21	12.00	2.25	12.44	2.29
						16	10.09	2.13	10.52	2.18	10.94	2.22	11.16	2.24	11.38	2.26	11.82	2.30	12.26	2.35
						18	9.91	2.19	10.33	2.23	10.76	2.27	10.98	2.30	11.19	2.32	11.63	2.36	12.08	2.40
						20	9.73	2.25	10.15	2.29	10.58	2.33	10.80	2.35	11.01	2.38	11.46	2.42	11.90	2.46
						21	9.64	2.27	10.06	2.32	10.49	2.36	10.71	2.38	10.92	2.40	11.37	2.45	11.81	2.49
						23	9.45	2.33	9.88	2.38	10.31	2.42	10.53	2.44	10.74	2.46	11.19	2.51	11.63	2.55
						25	9.27	2.39	9.70	2.44	10.13	2.48	10.35	2.50	10.56	2.52	11.01	2.57	11.46	2.61
						27	9.09	2.45	9.52	2.50	9.95	2.54	10.17	2.56	10.39	2.58	10.83	2.63	11.28	2.67
						29	8.91	2.51	9.34	2.56	9.77	2.60	9.99	2.62	10.21	2.65	10.65	2.69	11.10	2.74
						31	8.73	2.57	9.16	2.62	9.59	2.66	9.81	2.69	10.03	2.71	10.47	2.75	10.93	2.80
						33	8.55	2.64	8.98	2.68	9.41	2.73	9.63	2.75	9.85	2.77	10.30	2.82	10.75	2.86
						35	8.37	2.70	8.80	2.75	9.23	2.79	9.47	2.81	9.67	2.84	10.12	2.88	10.57	2.93
						37	8.19	2.77	8.62	2.81	9.06	2.86	9.28	2.88	9.50	2.90	9.95	2.95	10.40	3.00
						39	8.01	2.83	8.44	2.88	8.88	2.93	9.10	2.95	9.32	2.97	9.77	3.02	10.23	3.06
42	7.75	2.93	8.18	2.98	8.61	3.03	8.84	3.05	9.06	3.07	9.51	3.12	9.96	3.17						
44	7.57	3.00	8.00	3.05	8.44	3.10	8.66	3.12	8.88	3.14	9.33	3.19	9.79	3.24						
46	7.39	3.07	7.82	3.12	8.26	3.17	8.48	3.19	8.71	3.21	9.16	3.26	9.62	3.31						

12. Capacity Table

Combination (Capacity Index)				Combination (Total)	Combination (%)	Outdoor Temperature (°C,DB)	Indoor Temperature(°C, WB)													
							14		16		18		19		20		22		24	
							TC(kW)	PI(kW)	TC(kW)	PI(kW)	TC(kW)	PI(kW)	TC(kW)	PI(kW)	TC(kW)	PI(kW)	TC(kW)	PI(kW)	TC(kW)	PI(kW)
2000	2500	5000	5000	14500	145%	10	10.57	1.96	10.98	2.01	11.41	2.05	11.62	2.07	11.83	2.09	12.27	2.13	12.71	2.17
						12	10.39	2.02	10.80	2.06	11.22	2.10	11.44	2.12	11.65	2.14	12.09	2.19	12.53	2.23
						14	10.20	2.07	10.62	2.11	11.04	2.16	11.26	2.18	11.47	2.20	11.91	2.24	12.35	2.28
						16	10.02	2.13	10.44	2.17	10.86	2.21	11.08	2.23	11.29	2.25	11.73	2.30	12.17	2.34
						18	9.84	2.18	10.26	2.22	10.68	2.27	10.90	2.29	11.11	2.31	11.55	2.35	11.99	2.40
						20	9.66	2.24	10.08	2.28	10.50	2.32	10.72	2.35	10.93	2.37	11.37	2.41	11.81	2.45
						21	9.57	2.27	9.99	2.31	10.41	2.35	10.63	2.37	10.84	2.40	11.28	2.44	11.73	2.48
						23	9.38	2.32	9.81	2.37	10.23	2.41	10.45	2.43	10.66	2.46	11.10	2.50	11.55	2.54
						25	9.20	2.38	9.63	2.43	10.05	2.47	10.27	2.49	10.49	2.51	10.93	2.56	11.37	2.60
						27	9.02	2.44	9.45	2.49	9.87	2.53	10.09	2.55	10.31	2.58	10.75	2.62	11.20	2.66
						29	8.84	2.50	9.27	2.55	9.70	2.59	9.91	2.62	10.13	2.64	10.57	2.68	11.02	2.73
						31	8.67	2.57	9.09	2.61	9.52	2.66	9.74	2.68	9.95	2.70	10.40	2.75	10.85	2.79
						33	8.49	2.63	8.91	2.67	9.34	2.72	9.56	2.74	9.78	2.76	10.22	2.81	10.67	2.85
						35	8.31	2.69	8.73	2.74	9.16	2.78	9.40	2.80	9.60	2.83	10.05	2.87	10.50	2.92
						37	8.13	2.76	8.56	2.80	8.99	2.85	9.21	2.87	9.43	2.89	9.87	2.94	10.32	2.99
						39	7.95	2.82	8.38	2.87	8.81	2.92	9.03	2.94	9.25	2.96	9.70	3.01	10.15	3.05
42	7.69	2.92	8.12	2.97	8.55	3.02	8.77	3.04	8.99	3.06	9.44	3.11	9.89	3.16						
44	7.51	2.99	7.94	3.04	8.38	3.09	8.60	3.11	8.82	3.13	9.26	3.18	9.72	3.23						
46	7.34	3.06	7.77	3.11	8.20	3.16	8.42	3.18	8.64	3.20	9.09	3.25	9.55	3.30						
2000	2500	5000	6800	16300	163%	10	11.02	2.01	11.45	2.06	11.89	2.10	12.11	2.12	12.34	2.14	12.79	2.19	13.25	2.23
						12	10.83	2.07	11.26	2.11	11.70	2.15	11.92	2.18	12.15	2.20	12.60	2.24	13.06	2.28
						14	10.64	2.12	11.07	2.17	11.51	2.21	11.74	2.23	11.96	2.25	12.41	2.30	12.87	2.34
						16	10.45	2.18	10.88	2.22	11.32	2.27	11.55	2.29	11.77	2.31	12.23	2.35	12.69	2.40
						18	10.26	2.24	10.69	2.28	11.14	2.32	11.36	2.35	11.58	2.37	12.04	2.41	12.50	2.46
						20	10.07	2.29	10.50	2.34	10.95	2.38	11.17	2.40	11.40	2.43	11.85	2.47	12.32	2.52
						21	9.97	2.32	10.41	2.37	10.85	2.41	11.08	2.43	11.30	2.46	11.76	2.50	12.22	2.55
						23	9.78	2.38	10.22	2.43	10.67	2.47	10.89	2.49	11.12	2.52	11.58	2.56	12.04	2.61
						25	9.60	2.44	10.03	2.49	10.48	2.53	10.71	2.56	10.93	2.58	11.39	2.62	11.86	2.67
						27	9.41	2.50	9.85	2.55	10.29	2.59	10.52	2.62	10.75	2.64	11.21	2.69	11.67	2.73
						29	9.22	2.57	9.66	2.61	10.11	2.66	10.33	2.68	10.56	2.70	11.02	2.75	11.49	2.79
						31	9.03	2.63	9.48	2.68	9.92	2.72	10.15	2.74	10.38	2.77	10.84	2.81	11.31	2.86
						33	8.85	2.69	9.29	2.74	9.74	2.79	9.97	2.81	10.19	2.83	10.66	2.88	11.12	2.93
						35	8.66	2.76	9.11	2.81	9.55	2.85	9.80	2.87	10.01	2.90	10.47	2.95	10.94	2.99
						37	8.48	2.83	8.92	2.87	9.37	2.92	9.60	2.94	9.83	2.97	10.29	3.01	10.76	3.06
						39	8.29	2.89	8.74	2.94	9.19	2.99	9.42	3.01	9.65	3.04	10.11	3.08	10.58	3.13
42	8.02	3.00	8.46	3.04	8.91	3.09	9.14	3.12	9.37	3.14	9.84	3.19	10.31	3.23						
44	7.83	3.07	8.28	3.11	8.73	3.16	8.96	3.19	9.19	3.21	9.66	3.26	10.13	3.31						
46	7.65	3.14	8.10	3.19	8.55	3.23	8.78	3.26	9.01	3.28	9.48	3.33	9.95	3.38						

12. Capacity Table

Combination (Capacity Index)				Combination (Total)	Combination (%)	Outdoor Temperature (°C, DB)	Indoor Temperature(°C, WB)													
							14		16		18		19		20		22		24	
							TC(kW)	PI(kW)	TC(kW)	PI(kW)	TC(kW)	PI(kW)	TC(kW)	PI(kW)	TC(kW)	PI(kW)	TC(kW)	PI(kW)	TC(kW)	PI(kW)
2500	6800	6800		16100	161%	10	7.95	1.95	11.22	2.00	11.43	2.05	11.56	2.07	11.70	2.10	12.03	2.14	12.41	2.18
						12	7.95	2.00	10.91	2.05	11.14	2.10	11.28	2.12	11.43	2.14	11.77	2.19	12.17	2.23
						14	7.95	2.05	10.62	2.10	10.86	2.15	11.01	2.17	11.17	2.19	11.52	2.24	11.94	2.28
						16	7.95	2.10	10.34	2.15	10.60	2.20	10.75	2.22	10.92	2.25	11.29	2.29	11.72	2.33
						18	7.95	2.16	10.07	2.21	10.35	2.25	10.51	2.28	10.68	2.30	11.07	2.34	11.52	2.38
						20	7.95	2.21	9.82	2.26	10.11	2.31	10.27	2.33	10.46	2.35	10.86	2.40	11.32	2.44
						21	7.95	2.24	9.70	2.29	9.99	2.34	10.16	2.36	10.35	2.38	10.76	2.42	11.23	2.47
						23	7.95	2.30	9.46	2.35	9.77	2.39	9.95	2.42	10.14	2.44	10.57	2.48	11.06	2.52
						25	7.95	2.36	9.23	2.40	9.56	2.45	9.75	2.47	9.95	2.50	10.39	2.54	10.89	2.58
						27	7.95	2.42	9.02	2.46	9.37	2.51	9.56	2.53	9.77	2.56	10.23	2.60	10.75	2.64
						29	7.95	2.48	8.82	2.53	9.18	2.57	9.39	2.59	9.60	2.62	10.08	2.66	10.61	2.70
						31	7.95	2.54	8.64	2.59	9.01	2.63	9.22	2.66	9.45	2.68	9.94	2.72	10.48	2.76
						33	7.95	2.61	8.46	2.65	8.86	2.70	9.07	2.72	9.30	2.74	9.81	2.79	10.37	2.83
						35	7.95	2.67	8.30	2.72	8.71	2.76	9.00	2.78	9.17	2.81	9.69	2.85	10.27	2.89
						37	7.95	2.74	8.15	2.79	8.58	2.83	8.81	2.85	9.06	2.88	9.59	2.92	10.19	2.96
						39	7.95	2.81	8.02	2.86	8.46	2.90	8.70	2.92	8.95	2.94	9.50	2.99	10.11	3.03
42	7.95	2.91	7.84	2.96	8.30	3.01	8.55	3.03	8.82	3.05	9.39	3.09	10.02	3.13						
44	7.95	2.99	7.73	3.03	8.21	3.08	8.47	3.10	8.74	3.12	9.33	3.16	9.98	3.20						
46	7.95	3.06	7.64	3.11	8.13	3.15	8.40	3.17	8.68	3.19	9.29	3.24	9.95	3.28						
2000	3500	3500	5000	14000	140%	10	10.48	1.99	10.89	2.04	11.31	2.08	11.52	2.10	11.73	2.12	12.16	2.16	12.60	2.21
						12	10.30	2.05	10.71	2.09	11.13	2.13	11.34	2.15	11.55	2.17	11.98	2.22	12.42	2.26
						14	10.12	2.10	10.53	2.14	10.95	2.19	11.16	2.21	11.37	2.23	11.81	2.27	12.24	2.32
						16	9.93	2.16	10.35	2.20	10.77	2.24	10.98	2.26	11.20	2.29	11.63	2.33	12.07	2.37
						18	9.75	2.21	10.17	2.26	10.59	2.30	10.80	2.32	11.02	2.34	11.45	2.39	11.89	2.43
						20	9.57	2.27	9.99	2.31	10.41	2.36	10.62	2.38	10.84	2.40	11.27	2.45	11.71	2.49
						21	9.48	2.30	9.90	2.34	10.32	2.39	10.54	2.41	10.75	2.43	11.19	2.47	11.63	2.52
						23	9.30	2.36	9.72	2.40	10.14	2.45	10.36	2.47	10.57	2.49	11.01	2.53	11.45	2.58
						25	9.13	2.42	9.54	2.46	9.97	2.51	10.18	2.53	10.40	2.55	10.83	2.60	11.28	2.64
						27	8.95	2.48	9.37	2.52	9.79	2.57	10.00	2.59	10.22	2.61	10.66	2.66	11.10	2.70
						29	8.77	2.54	9.19	2.58	9.61	2.63	9.83	2.65	10.05	2.68	10.48	2.72	10.93	2.77
						31	8.59	2.60	9.01	2.65	9.44	2.69	9.65	2.72	9.87	2.74	10.31	2.78	10.75	2.83
						33	8.41	2.67	8.84	2.71	9.26	2.76	9.48	2.78	9.70	2.80	10.13	2.85	10.58	2.89
						35	8.24	2.73	8.66	2.78	9.09	2.82	9.32	2.84	9.52	2.87	9.96	2.92	10.41	2.96
						37	8.06	2.80	8.48	2.84	8.91	2.89	9.13	2.91	9.35	2.94	9.79	2.98	10.24	3.03
						39	7.89	2.86	8.31	2.91	8.74	2.96	8.96	2.98	9.17	3.00	9.62	3.05	10.06	3.10
42	7.62	2.97	8.05	3.01	8.48	3.06	8.70	3.08	8.91	3.11	9.36	3.15	9.81	3.20						
44	7.45	3.03	7.87	3.08	8.30	3.13	8.52	3.15	8.74	3.18	9.19	3.22	9.64	3.27						
46	7.27	3.11	7.70	3.15	8.13	3.20	8.35	3.22	8.57	3.25	9.01	3.30	9.47	3.34						

12. Capacity Table

Combination (Capacity Index)				Combination (Total)	Combination (%)	Outdoor Temperature (°C, DB)	Indoor Temperature(°C, WB)													
							14		16		18		19		20		22		24	
							TC(kW)	PI(kW)	TC(kW)	PI(kW)	TC(kW)	PI(kW)	TC(kW)	PI(kW)	TC(kW)	PI(kW)	TC(kW)	PI(kW)	TC(kW)	PI(kW)
2000	3500	3500	6800	15800	158%	10	11.02	2.01	11.45	2.05	11.89	2.09	12.11	2.11	12.34	2.14	12.79	2.18	13.25	2.22
						12	10.83	2.06	11.26	2.10	11.70	2.15	11.92	2.17	12.15	2.19	12.60	2.23	13.06	2.28
						14	10.64	2.12	11.07	2.16	11.51	2.20	11.74	2.22	11.96	2.25	12.41	2.29	12.87	2.33
						16	10.45	2.17	10.88	2.21	11.32	2.26	11.55	2.28	11.77	2.30	12.23	2.35	12.69	2.39
						18	10.26	2.23	10.69	2.27	11.14	2.32	11.36	2.34	11.58	2.36	12.04	2.40	12.50	2.45
						20	10.07	2.29	10.50	2.33	10.95	2.37	11.17	2.40	11.40	2.42	11.85	2.46	12.32	2.51
						21	9.97	2.31	10.41	2.36	10.85	2.40	11.08	2.43	11.30	2.45	11.76	2.49	12.22	2.54
						23	9.78	2.37	10.22	2.42	10.67	2.46	10.89	2.49	11.12	2.51	11.58	2.55	12.04	2.60
						25	9.60	2.43	10.03	2.48	10.48	2.52	10.71	2.55	10.93	2.57	11.39	2.61	11.86	2.66
						27	9.41	2.50	9.85	2.54	10.29	2.59	10.52	2.61	10.75	2.63	11.21	2.68	11.67	2.72
						29	9.22	2.56	9.66	2.60	10.11	2.65	10.33	2.67	10.56	2.69	11.02	2.74	11.49	2.79
						31	9.03	2.62	9.48	2.67	9.92	2.71	10.15	2.74	10.38	2.76	10.84	2.80	11.31	2.85
						33	8.85	2.69	9.29	2.73	9.74	2.78	9.97	2.80	10.19	2.82	10.66	2.87	11.12	2.92
						35	8.66	2.75	9.11	2.80	9.55	2.84	9.80	2.86	10.01	2.89	10.47	2.94	10.94	2.98
						37	8.48	2.82	8.92	2.86	9.37	2.91	9.60	2.93	9.83	2.96	10.29	3.00	10.76	3.05
						39	8.29	2.88	8.74	2.93	9.19	2.98	9.42	3.00	9.65	3.02	10.11	3.07	10.58	3.12
42	8.02	2.99	8.46	3.03	8.91	3.08	9.14	3.10	9.37	3.13	9.84	3.18	10.31	3.22						
44	7.83	3.06	8.28	3.10	8.73	3.15	8.96	3.18	9.19	3.20	9.66	3.25	10.13	3.29						
46	7.65	3.13	8.10	3.17	8.55	3.22	8.78	3.25	9.01	3.27	9.48	3.32	9.95	3.37						
2000	3500	5000	5000	15500	155%	10	11.02	2.00	11.45	2.04	11.89	2.08	12.11	2.11	12.34	2.13	12.79	2.17	13.25	2.21
						12	10.83	2.05	11.26	2.10	11.70	2.14	11.92	2.16	12.15	2.18	12.60	2.22	13.06	2.27
						14	10.64	2.11	11.07	2.15	11.51	2.19	11.74	2.22	11.96	2.24	12.41	2.28	12.87	2.32
						16	10.45	2.16	10.88	2.21	11.32	2.25	11.55	2.27	11.77	2.29	12.23	2.34	12.69	2.38
						18	10.26	2.22	10.69	2.26	11.14	2.31	11.36	2.33	11.58	2.35	12.04	2.39	12.50	2.44
						20	10.07	2.28	10.50	2.32	10.95	2.37	11.17	2.39	11.40	2.41	11.85	2.45	12.32	2.50
						21	9.97	2.31	10.41	2.35	10.85	2.39	11.08	2.42	11.30	2.44	11.76	2.48	12.22	2.53
						23	9.78	2.37	10.22	2.41	10.67	2.45	10.89	2.48	11.12	2.50	11.58	2.54	12.04	2.59
						25	9.60	2.43	10.03	2.47	10.48	2.52	10.71	2.54	10.93	2.56	11.39	2.60	11.86	2.65
						27	9.41	2.49	9.85	2.53	10.29	2.58	10.52	2.60	10.75	2.62	11.21	2.67	11.67	2.71
						29	9.22	2.55	9.66	2.59	10.11	2.64	10.33	2.66	10.56	2.68	11.02	2.73	11.49	2.78
						31	9.03	2.61	9.48	2.66	9.92	2.70	10.15	2.73	10.38	2.75	10.84	2.79	11.31	2.84
						33	8.85	2.68	9.29	2.72	9.74	2.77	9.97	2.79	10.19	2.81	10.66	2.86	11.12	2.91
						35	8.66	2.74	9.11	2.79	9.55	2.83	9.80	2.85	10.01	2.88	10.47	2.93	10.94	2.97
						37	8.48	2.81	8.92	2.85	9.37	2.90	9.60	2.92	9.83	2.95	10.29	2.99	10.76	3.04
						39	8.29	2.87	8.74	2.92	9.19	2.97	9.42	2.99	9.65	3.01	10.11	3.06	10.58	3.11
42	8.02	2.98	8.46	3.02	8.91	3.07	9.14	3.09	9.37	3.12	9.84	3.16	10.31	3.21						
44	7.83	3.05	8.28	3.09	8.73	3.14	8.96	3.16	9.19	3.19	9.66	3.24	10.13	3.28						
46	7.65	3.12	8.10	3.16	8.55	3.21	8.78	3.24	9.01	3.26	9.48	3.31	9.95	3.35						

12. Capacity Table

Combination (Capacity Index)				Combination (Total)	Combination (%)	Outdoor Temperature (°C, DB)	Indoor Temperature(°C, WB)													
							14		16		18		19		20		22		24	
							TC(kW)	PI(kW)	TC(kW)	PI(kW)	TC(kW)	PI(kW)	TC(kW)	PI(kW)	TC(kW)	PI(kW)	TC(kW)	PI(kW)	TC(kW)	PI(kW)
2500	6800	6800		16100	161%	10	11.02	2.05	11.45	2.09	11.89	2.14	12.11	2.16	12.34	2.18	12.79	2.22	13.25	2.27
						12	10.83	2.10	11.26	2.15	11.70	2.19	11.92	2.21	12.15	2.24	12.60	2.28	13.06	2.32
						14	10.64	2.16	11.07	2.20	11.51	2.25	11.74	2.27	11.96	2.29	12.41	2.34	12.87	2.38
						16	10.45	2.22	10.88	2.26	11.32	2.31	11.55	2.33	11.77	2.35	12.23	2.39	12.69	2.44
						18	10.26	2.27	10.69	2.32	11.14	2.36	11.36	2.39	11.58	2.41	12.04	2.45	12.50	2.50
						20	10.07	2.33	10.50	2.38	10.95	2.42	11.17	2.45	11.40	2.47	11.85	2.51	12.32	2.56
						21	9.97	2.36	10.41	2.41	10.85	2.45	11.08	2.48	11.30	2.50	11.76	2.54	12.22	2.59
						23	9.78	2.42	10.22	2.47	10.67	2.51	10.89	2.54	11.12	2.56	11.58	2.61	12.04	2.65
						25	9.60	2.49	10.03	2.53	10.48	2.58	10.71	2.60	10.93	2.62	11.39	2.67	11.86	2.71
						27	9.41	2.55	9.85	2.59	10.29	2.64	10.52	2.66	10.75	2.69	11.21	2.73	11.67	2.78
						29	9.22	2.61	9.66	2.66	10.11	2.70	10.33	2.73	10.56	2.75	11.02	2.80	11.49	2.84
						31	9.03	2.68	9.48	2.72	9.92	2.77	10.15	2.79	10.38	2.82	10.84	2.86	11.31	2.91
						33	8.85	2.74	9.29	2.79	9.74	2.84	9.97	2.86	10.19	2.88	10.66	2.93	11.12	2.98
						35	8.66	2.81	9.11	2.86	9.55	2.90	9.80	2.92	10.01	2.95	10.47	3.00	10.94	3.04
						37	8.48	2.88	8.92	2.92	9.37	2.97	9.60	2.99	9.83	3.02	10.29	3.07	10.76	3.11
						39	8.29	2.94	8.74	2.99	9.19	3.04	9.42	3.06	9.65	3.09	10.11	3.14	10.58	3.18
42	8.02	3.05	8.46	3.10	8.91	3.15	9.14	3.17	9.37	3.19	9.84	3.24	10.31	3.29						
44	7.83	3.12	8.28	3.17	8.73	3.22	8.96	3.24	9.19	3.27	9.66	3.31	10.13	3.36						
46	7.65	3.19	8.10	3.24	8.55	3.29	8.78	3.31	9.01	3.34	9.48	3.39	9.95	3.44						
2000	5000	5000	5000	17000	170%	10	11.02	2.05	11.45	2.09	11.89	2.14	12.11	2.16	12.34	2.18	12.79	2.22	13.25	2.27
						12	10.83	2.10	11.26	2.15	11.70	2.19	11.92	2.21	12.15	2.24	12.60	2.28	13.06	2.32
						14	10.64	2.16	11.07	2.20	11.51	2.25	11.74	2.27	11.96	2.29	12.41	2.34	12.87	2.38
						16	10.45	2.22	10.88	2.26	11.32	2.31	11.55	2.33	11.77	2.35	12.23	2.39	12.69	2.44
						18	10.26	2.27	10.69	2.32	11.14	2.36	11.36	2.39	11.58	2.41	12.04	2.45	12.50	2.50
						20	10.07	2.33	10.50	2.38	10.95	2.42	11.17	2.45	11.40	2.47	11.85	2.51	12.32	2.56
						21	9.97	2.36	10.41	2.41	10.85	2.45	11.08	2.48	11.30	2.50	11.76	2.54	12.22	2.59
						23	9.78	2.42	10.22	2.47	10.67	2.51	10.89	2.54	11.12	2.56	11.58	2.61	12.04	2.65
						25	9.60	2.49	10.03	2.53	10.48	2.58	10.71	2.60	10.93	2.62	11.39	2.67	11.86	2.71
						27	9.41	2.55	9.85	2.59	10.29	2.64	10.52	2.66	10.75	2.69	11.21	2.73	11.67	2.78
						29	9.22	2.61	9.66	2.66	10.11	2.70	10.33	2.73	10.56	2.75	11.02	2.80	11.49	2.84
						31	9.03	2.68	9.48	2.72	9.92	2.77	10.15	2.79	10.38	2.82	10.84	2.86	11.31	2.91
						33	8.85	2.74	9.29	2.79	9.74	2.84	9.97	2.86	10.19	2.88	10.66	2.93	11.12	2.98
						35	8.66	2.81	9.11	2.86	9.55	2.90	9.80	2.92	10.01	2.95	10.47	3.00	10.94	3.04
						37	8.48	2.88	8.92	2.92	9.37	2.97	9.60	2.99	9.83	3.02	10.29	3.07	10.76	3.11
						39	8.29	2.94	8.74	2.99	9.19	3.04	9.42	3.06	9.65	3.09	10.11	3.14	10.58	3.18
42	8.02	3.05	8.46	3.10	8.91	3.15	9.14	3.17	9.37	3.19	9.84	3.24	10.31	3.29						
44	7.83	3.12	8.28	3.17	8.73	3.22	8.96	3.24	9.19	3.27	9.66	3.31	10.13	3.36						
46	7.65	3.19	8.10	3.24	8.55	3.29	8.78	3.31	9.01	3.34	9.48	3.39	9.95	3.44						

12. Capacity Table

Combination (Capacity Index)				Combination (Total)	Combination (%)	Outdoor Temperature (°C,DB)	Indoor Temperature(°C, WB)													
							14		16		18		19		20		22		24	
							TC(kW)	PI(kW)	TC(kW)	PI(kW)	TC(kW)	PI(kW)	TC(kW)	PI(kW)	TC(kW)	PI(kW)	TC(kW)	PI(kW)	TC(kW)	PI(kW)
2500	2500	2500	2500	10000	100%	10	7.81	1.67	11.02	1.71	11.23	1.76	11.35	1.78	11.49	1.79	11.82	1.83	12.19	1.87
						12	7.81	1.71	10.72	1.76	10.94	1.80	11.08	1.82	11.22	1.84	11.56	1.87	11.95	1.91
						14	7.81	1.76	10.43	1.80	10.67	1.84	10.81	1.86	10.97	1.88	11.32	1.92	11.73	1.95
						16	7.81	1.80	10.16	1.84	10.41	1.88	10.56	1.90	10.72	1.92	11.09	1.96	11.51	2.00
						18	7.81	1.85	9.89	1.89	10.16	1.93	10.32	1.95	10.49	1.97	10.87	2.01	11.31	2.04
						20	7.81	1.89	9.64	1.94	9.93	1.98	10.09	2.00	10.27	2.01	10.67	2.05	11.12	2.09
						21	7.81	1.92	9.52	1.96	9.82	2.00	9.98	2.02	10.16	2.04	10.57	2.08	11.03	2.11
						23	7.81	1.97	9.29	2.01	9.60	2.05	9.77	2.07	9.96	2.09	10.38	2.12	10.86	2.16
						25	7.81	2.02	9.07	2.06	9.39	2.10	9.58	2.12	9.77	2.14	10.21	2.17	10.70	2.21
						27	7.81	2.07	8.86	2.11	9.20	2.15	9.39	2.17	9.60	2.19	10.05	2.22	10.55	2.26
						29	7.81	2.12	8.67	2.16	9.02	2.20	9.22	2.22	9.43	2.24	9.90	2.28	10.42	2.31
						31	7.81	2.18	8.48	2.22	8.85	2.26	9.06	2.27	9.28	2.29	9.76	2.33	10.30	2.36
						33	7.81	2.23	8.31	2.27	8.70	2.31	8.91	2.33	9.14	2.35	9.64	2.38	10.19	2.42
						35	7.81	2.29	8.16	2.33	8.55	2.37	8.84	2.38	9.01	2.40	9.52	2.44	10.09	2.47
						37	7.81	2.35	8.01	2.39	8.42	2.42	8.65	2.44	8.89	2.46	9.42	2.50	10.01	2.53
						39	7.81	2.40	7.87	2.44	8.30	2.48	8.54	2.50	8.79	2.52	9.33	2.56	9.93	2.59
42	7.81	2.50	7.70	2.54	8.15	2.57	8.40	2.59	8.66	2.61	9.22	2.65	9.85	2.68						
44	7.81	2.56	7.59	2.60	8.06	2.64	8.32	2.65	8.59	2.67	9.17	2.71	9.80	2.74						
46	7.81	2.62	7.50	2.66	7.99	2.70	8.25	2.72	8.53	2.74	9.12	2.77	9.77	2.80						
2500	2500	2500	3500	11000	110%	10	7.70	1.88	10.86	1.92	11.06	1.97	11.19	1.99	11.32	2.01	11.64	2.06	12.01	2.10
						12	7.70	1.92	10.56	1.97	10.78	2.02	10.91	2.04	11.06	2.06	11.39	2.10	11.78	2.14
						14	7.70	1.97	10.28	2.02	10.51	2.06	10.65	2.09	10.81	2.11	11.15	2.15	11.56	2.19
						16	7.70	2.02	10.01	2.07	10.26	2.11	10.40	2.14	10.56	2.16	10.93	2.20	11.34	2.24
						18	7.70	2.07	9.75	2.12	10.01	2.16	10.17	2.19	10.34	2.21	10.71	2.25	11.15	2.29
						20	7.70	2.13	9.50	2.17	9.78	2.22	9.94	2.24	10.12	2.26	10.51	2.30	10.96	2.34
						21	7.70	2.15	9.38	2.20	9.67	2.24	9.84	2.27	10.01	2.29	10.41	2.33	10.87	2.37
						23	7.70	2.21	9.15	2.25	9.46	2.30	9.63	2.32	9.82	2.34	10.23	2.38	10.70	2.42
						25	7.70	2.26	8.94	2.31	9.26	2.35	9.44	2.38	9.63	2.40	10.06	2.44	10.54	2.48
						27	7.70	2.32	8.73	2.37	9.07	2.41	9.25	2.43	9.45	2.45	9.90	2.50	10.40	2.54
						29	7.70	2.38	8.54	2.43	8.89	2.47	9.08	2.49	9.29	2.51	9.75	2.55	10.27	2.59
						31	7.70	2.44	8.36	2.49	8.72	2.53	8.93	2.55	9.14	2.57	9.62	2.61	10.15	2.65
						33	7.70	2.50	8.19	2.55	8.57	2.59	8.78	2.61	9.00	2.63	9.49	2.68	10.04	2.71
						35	7.70	2.57	8.04	2.61	8.43	2.66	8.71	2.67	8.88	2.70	9.38	2.74	9.94	2.78
						37	7.70	2.63	7.89	2.68	8.30	2.72	8.52	2.74	8.76	2.76	9.28	2.80	9.86	2.84
						39	7.70	2.70	7.76	2.74	8.18	2.79	8.42	2.81	8.66	2.83	9.20	2.87	9.79	2.91
42	7.70	2.80	7.58	2.84	8.03	2.89	8.27	2.91	8.53	2.93	9.09	2.97	9.70	3.01						
44	7.70	2.87	7.48	2.91	7.94	2.96	8.19	2.98	8.46	3.00	9.03	3.04	9.66	3.08						
46	7.70	2.94	7.39	2.98	7.87	3.03	8.13	3.05	8.40	3.07	8.99	3.11	9.63	3.15						

12. Capacity Table

Combination (Capacity Index)				Combination (Total)	Combination (%)	Outdoor Temperature (°C, DB)	Indoor Temperature(°C, WB)													
							14		16		18		19		20		22		24	
							TC(kW)	PI(kW)	TC(kW)	PI(kW)	TC(kW)	PI(kW)	TC(kW)	PI(kW)	TC(kW)	PI(kW)	TC(kW)	PI(kW)	TC(kW)	PI(kW)
2500	2500	2500	5000	12500	125%	10	7.95	1.95	11.22	2.00	11.43	2.05	11.56	2.07	11.70	2.10	12.03	2.14	12.41	2.18
						12	7.95	2.00	10.91	2.05	11.14	2.10	11.28	2.12	11.43	2.14	11.77	2.19	12.17	2.23
						14	7.95	2.05	10.62	2.10	10.86	2.15	11.01	2.17	11.17	2.19	11.52	2.24	11.94	2.28
						16	7.95	2.10	10.34	2.15	10.60	2.20	10.75	2.22	10.92	2.25	11.29	2.29	11.72	2.33
						18	7.95	2.16	10.07	2.21	10.35	2.25	10.51	2.28	10.68	2.30	11.07	2.34	11.52	2.38
						20	7.95	2.21	9.82	2.26	10.11	2.31	10.27	2.33	10.46	2.35	10.86	2.40	11.32	2.44
						21	7.95	2.24	9.70	2.29	9.99	2.34	10.16	2.36	10.35	2.38	10.76	2.42	11.23	2.47
						23	7.95	2.30	9.46	2.35	9.77	2.39	9.95	2.42	10.14	2.44	10.57	2.48	11.06	2.52
						25	7.95	2.36	9.23	2.40	9.56	2.45	9.75	2.47	9.95	2.50	10.39	2.54	10.89	2.58
						27	7.95	2.42	9.02	2.46	9.37	2.51	9.56	2.53	9.77	2.56	10.23	2.60	10.75	2.64
						29	7.95	2.48	8.82	2.53	9.18	2.57	9.39	2.59	9.60	2.62	10.08	2.66	10.61	2.70
						31	7.95	2.54	8.64	2.59	9.01	2.63	9.22	2.66	9.45	2.68	9.94	2.72	10.48	2.76
						33	7.95	2.61	8.46	2.65	8.86	2.70	9.07	2.72	9.30	2.74	9.81	2.79	10.37	2.83
						35	7.95	2.67	8.30	2.72	8.71	2.76	9.00	2.78	9.17	2.81	9.69	2.85	10.27	2.89
						37	7.95	2.74	8.15	2.79	8.58	2.83	8.81	2.85	9.06	2.88	9.59	2.92	10.19	2.96
						39	7.95	2.81	8.02	2.86	8.46	2.90	8.70	2.92	8.95	2.94	9.50	2.99	10.11	3.03
42	7.95	2.91	7.84	2.96	8.30	3.01	8.55	3.03	8.82	3.05	9.39	3.09	10.02	3.13						
44	7.95	2.99	7.73	3.03	8.21	3.08	8.47	3.10	8.74	3.12	9.33	3.16	9.98	3.20						
46	7.95	3.06	7.64	3.11	8.13	3.15	8.40	3.17	8.68	3.19	9.29	3.24	9.95	3.28						
2500	2500	2500	6800	14300	143%	10	10.55	1.93	10.96	1.97	11.38	2.01	11.59	2.03	11.81	2.05	12.24	2.09	12.68	2.14
						12	10.36	1.98	10.78	2.02	11.20	2.06	11.41	2.08	11.63	2.11	12.06	2.15	12.50	2.19
						14	10.18	2.03	10.60	2.08	11.02	2.12	11.23	2.14	11.45	2.16	11.88	2.20	12.32	2.24
						16	10.00	2.09	10.42	2.13	10.84	2.17	11.05	2.19	11.27	2.21	11.70	2.26	12.14	2.30
						18	9.82	2.14	10.23	2.18	10.66	2.23	10.87	2.25	11.09	2.27	11.52	2.31	11.97	2.35
						20	9.64	2.20	10.05	2.24	10.48	2.28	10.69	2.30	10.91	2.32	11.35	2.37	11.79	2.41
						21	9.55	2.23	9.96	2.27	10.39	2.31	10.60	2.33	10.82	2.35	11.26	2.40	11.70	2.44
						23	9.36	2.28	9.78	2.33	10.21	2.37	10.43	2.39	10.64	2.41	11.08	2.45	11.52	2.50
						25	9.18	2.34	9.60	2.38	10.03	2.43	10.25	2.45	10.46	2.47	10.90	2.51	11.35	2.56
						27	9.00	2.40	9.43	2.44	9.85	2.49	10.07	2.51	10.29	2.53	10.73	2.57	11.17	2.62
						29	8.83	2.46	9.25	2.50	9.68	2.55	9.89	2.57	10.11	2.59	10.55	2.63	11.00	2.68
						31	8.65	2.52	9.07	2.56	9.50	2.61	9.72	2.63	9.93	2.65	10.37	2.70	10.82	2.74
						33	8.47	2.58	8.89	2.63	9.32	2.67	9.54	2.69	9.76	2.71	10.20	2.76	10.65	2.80
						35	8.29	2.64	8.72	2.69	9.15	2.73	9.38	2.75	9.58	2.78	10.03	2.82	10.47	2.87
						37	8.11	2.71	8.54	2.75	8.97	2.80	9.19	2.82	9.41	2.84	9.85	2.89	10.30	2.93
						39	7.94	2.77	8.36	2.82	8.79	2.86	9.01	2.89	9.23	2.91	9.68	2.95	10.13	3.00
42	7.67	2.87	8.10	2.92	8.53	2.96	8.75	2.99	8.97	3.01	9.42	3.05	9.87	3.10						
44	7.50	2.94	7.92	2.98	8.36	3.03	8.58	3.05	8.80	3.08	9.24	3.12	9.70	3.17						
46	7.32	3.01	7.75	3.05	8.18	3.10	8.40	3.12	8.63	3.14	9.07	3.19	9.53	3.24						

12. Capacity Table

Combination (Capacity Index)				Combination (Total)	Combination (%)	Outdoor Temperature (°C,DB)	Indoor Temperature(°C, WB)													
							14		16		18		19		20		22		24	
							TC(kW)	PI(kW)	TC(kW)	PI(kW)	TC(kW)	PI(kW)	TC(kW)	PI(kW)	TC(kW)	PI(kW)	TC(kW)	PI(kW)	TC(kW)	PI(kW)
2500	2500	3500	3500	12000	120%	10	7.87	1.91	11.09	1.96	11.30	2.01	11.43	2.03	11.57	2.05	11.90	2.09	12.28	2.14
						12	7.87	1.96	10.79	2.01	11.02	2.05	11.15	2.08	11.30	2.10	11.64	2.14	12.04	2.18
						14	7.87	2.01	10.50	2.06	10.74	2.10	10.89	2.13	11.04	2.15	11.40	2.19	11.81	2.23
						16	7.87	2.06	10.23	2.11	10.48	2.15	10.63	2.18	10.80	2.20	11.17	2.24	11.59	2.28
						18	7.87	2.11	9.96	2.16	10.23	2.21	10.39	2.23	10.56	2.25	10.95	2.29	11.39	2.33
						20	7.87	2.17	9.71	2.21	10.00	2.26	10.16	2.28	10.34	2.30	10.74	2.35	11.20	2.39
						21	7.87	2.19	9.59	2.24	9.88	2.29	10.05	2.31	10.23	2.33	10.64	2.37	11.11	2.41
						23	7.87	2.25	9.35	2.30	9.66	2.34	9.84	2.36	10.03	2.39	10.45	2.43	10.93	2.47
						25	7.87	2.31	9.13	2.35	9.46	2.40	9.64	2.42	9.84	2.44	10.28	2.48	10.77	2.52
						27	7.87	2.36	8.92	2.41	9.26	2.46	9.46	2.48	9.66	2.50	10.12	2.54	10.63	2.58
						29	7.87	2.43	8.73	2.47	9.08	2.52	9.28	2.54	9.50	2.56	9.96	2.60	10.49	2.64
						31	7.87	2.49	8.54	2.53	8.91	2.58	9.12	2.60	9.34	2.62	9.83	2.66	10.37	2.70
						33	7.87	2.55	8.37	2.60	8.76	2.64	8.97	2.66	9.20	2.68	9.70	2.73	10.26	2.76
						35	7.87	2.61	8.21	2.66	8.61	2.71	8.90	2.72	9.07	2.75	9.59	2.79	10.16	2.83
						37	7.87	2.68	8.06	2.73	8.48	2.77	8.71	2.79	8.95	2.81	9.49	2.85	10.07	2.89
						39	7.87	2.75	7.93	2.79	8.36	2.84	8.60	2.86	8.85	2.88	9.40	2.92	10.00	2.96
42	7.87	2.85	7.75	2.90	8.20	2.94	8.45	2.96	8.72	2.98	9.29	3.02	9.91	3.06						
44	7.87	2.92	7.65	2.97	8.12	3.01	8.37	3.03	8.64	3.05	9.23	3.09	9.87	3.13						
46	7.87	3.00	7.55	3.04	8.04	3.08	8.30	3.11	8.58	3.13	9.18	3.17	9.84	3.20						
2500	2500	3500	5000	13500	135%	10	10.34	1.99	10.75	2.03	11.16	2.07	11.37	2.09	11.58	2.11	12.01	2.15	12.44	2.20
						12	10.16	2.04	10.57	2.08	10.99	2.12	11.19	2.15	11.40	2.17	11.83	2.21	12.26	2.25
						14	9.99	2.09	10.39	2.14	10.81	2.18	11.02	2.20	11.23	2.22	11.65	2.26	12.09	2.31
						16	9.81	2.15	10.22	2.19	10.63	2.23	10.84	2.26	11.05	2.28	11.48	2.32	11.91	2.36
						18	9.63	2.20	10.04	2.25	10.45	2.29	10.66	2.31	10.88	2.33	11.30	2.38	11.74	2.42
						20	9.45	2.26	9.86	2.31	10.28	2.35	10.49	2.37	10.70	2.39	11.13	2.44	11.56	2.48
						21	9.36	2.29	9.77	2.33	10.19	2.38	10.40	2.40	10.61	2.42	11.04	2.47	11.48	2.51
						23	9.19	2.35	9.60	2.39	10.01	2.44	10.22	2.46	10.44	2.48	10.87	2.53	11.30	2.57
						25	9.01	2.41	9.42	2.45	9.84	2.50	10.05	2.52	10.26	2.54	10.69	2.59	11.13	2.63
						27	8.83	2.47	9.25	2.51	9.66	2.56	9.88	2.58	10.09	2.60	10.52	2.65	10.96	2.69
						29	8.66	2.53	9.07	2.58	9.49	2.62	9.70	2.64	9.92	2.67	10.35	2.71	10.79	2.76
						31	8.48	2.59	8.90	2.64	9.32	2.68	9.53	2.71	9.74	2.73	10.18	2.77	10.61	2.82
						33	8.31	2.66	8.72	2.70	9.14	2.75	9.36	2.77	9.57	2.79	10.00	2.84	10.44	2.88
						35	8.13	2.72	8.55	2.77	8.97	2.81	9.20	2.83	9.40	2.86	9.83	2.90	10.27	2.95
						37	7.96	2.79	8.37	2.83	8.80	2.88	9.01	2.90	9.23	2.93	9.66	2.97	10.10	3.02
						39	7.78	2.85	8.20	2.90	8.63	2.95	8.84	2.97	9.06	2.99	9.49	3.04	9.93	3.09
42	7.52	2.96	7.94	3.00	8.37	3.05	8.58	3.07	8.80	3.10	9.24	3.14	9.68	3.19						
44	7.35	3.02	7.77	3.07	8.20	3.12	8.41	3.14	8.63	3.17	9.07	3.21	9.51	3.26						
46	7.18	3.09	7.60	3.14	8.03	3.19	8.24	3.21	8.46	3.24	8.90	3.28	9.34	3.33						

12. Capacity Table

Combination (Capacity Index)				Combination (Total)	Combination (%)	Outdoor Temperature (°C, DB)	Indoor Temperature(°C, WB)													
							14		16		18		19		20		22		24	
							TC(kW)	PI(kW)	TC(kW)	PI(kW)	TC(kW)	PI(kW)	TC(kW)	PI(kW)	TC(kW)	PI(kW)	TC(kW)	PI(kW)	TC(kW)	PI(kW)
2500	2500	3500	6800	15300	153%	10	11.02	1.97	11.45	2.01	11.89	2.06	12.11	2.08	12.34	2.10	12.79	2.14	13.25	2.18
						12	10.83	2.02	11.26	2.07	11.70	2.11	11.92	2.13	12.15	2.15	12.60	2.19	13.06	2.24
						14	10.64	2.08	11.07	2.12	11.51	2.16	11.74	2.18	11.96	2.21	12.41	2.25	12.87	2.29
						16	10.45	2.13	10.88	2.18	11.32	2.22	11.55	2.24	11.77	2.26	12.23	2.30	12.69	2.35
						18	10.26	2.19	10.69	2.23	11.14	2.27	11.36	2.30	11.58	2.32	12.04	2.36	12.50	2.40
						20	10.07	2.25	10.50	2.29	10.95	2.33	11.17	2.35	11.40	2.38	11.85	2.42	12.32	2.46
						21	9.97	2.27	10.41	2.32	10.85	2.36	11.08	2.38	11.30	2.40	11.76	2.45	12.22	2.49
						23	9.78	2.33	10.22	2.38	10.67	2.42	10.89	2.44	11.12	2.46	11.58	2.51	12.04	2.55
						25	9.60	2.39	10.03	2.44	10.48	2.48	10.71	2.50	10.93	2.52	11.39	2.57	11.86	2.61
						27	9.41	2.45	9.85	2.50	10.29	2.54	10.52	2.56	10.75	2.58	11.21	2.63	11.67	2.67
						29	9.22	2.51	9.66	2.56	10.11	2.60	10.33	2.62	10.56	2.65	11.02	2.69	11.49	2.74
						31	9.03	2.57	9.48	2.62	9.92	2.66	10.15	2.69	10.38	2.71	10.84	2.75	11.31	2.80
						33	8.85	2.64	9.29	2.68	9.74	2.73	9.97	2.75	10.19	2.77	10.66	2.82	11.12	2.86
						35	8.66	2.70	9.11	2.75	9.55	2.79	9.80	2.81	10.01	2.84	10.47	2.88	10.94	2.93
						37	8.48	2.77	8.92	2.81	9.37	2.86	9.60	2.88	9.83	2.90	10.29	2.95	10.76	3.00
						39	8.29	2.83	8.74	2.88	9.19	2.93	9.42	2.95	9.65	2.97	10.11	3.02	10.58	3.06
42	8.02	2.93	8.46	2.98	8.91	3.03	9.14	3.05	9.37	3.07	9.84	3.12	10.31	3.17						
44	7.83	3.00	8.28	3.05	8.73	3.10	8.96	3.12	9.19	3.14	9.66	3.19	10.13	3.24						
46	7.65	3.07	8.10	3.12	8.55	3.17	8.78	3.19	9.01	3.21	9.48	3.26	9.95	3.31						
2500	2500	5000	5000	15000	150%	10	11.02	1.96	11.45	2.01	11.89	2.05	12.11	2.07	12.34	2.09	12.79	2.13	13.25	2.17
						12	10.83	2.02	11.26	2.06	11.70	2.10	11.92	2.12	12.15	2.14	12.60	2.19	13.06	2.23
						14	10.64	2.07	11.07	2.11	11.51	2.16	11.74	2.18	11.96	2.20	12.41	2.24	12.87	2.28
						16	10.45	2.13	10.88	2.17	11.32	2.21	11.55	2.23	11.77	2.25	12.23	2.30	12.69	2.34
						18	10.26	2.18	10.69	2.22	11.14	2.27	11.36	2.29	11.58	2.31	12.04	2.35	12.50	2.40
						20	10.07	2.24	10.50	2.28	10.95	2.32	11.17	2.35	11.40	2.37	11.85	2.41	12.32	2.45
						21	9.97	2.27	10.41	2.31	10.85	2.35	11.08	2.37	11.30	2.40	11.76	2.44	12.22	2.48
						23	9.78	2.32	10.22	2.37	10.67	2.41	10.89	2.43	11.12	2.46	11.58	2.50	12.04	2.54
						25	9.60	2.38	10.03	2.43	10.48	2.47	10.71	2.49	10.93	2.51	11.39	2.56	11.86	2.60
						27	9.41	2.44	9.85	2.49	10.29	2.53	10.52	2.55	10.75	2.58	11.21	2.62	11.67	2.66
						29	9.22	2.50	9.66	2.55	10.11	2.59	10.33	2.62	10.56	2.64	11.02	2.68	11.49	2.73
						31	9.03	2.57	9.48	2.61	9.92	2.66	10.15	2.68	10.38	2.70	10.84	2.75	11.31	2.79
						33	8.85	2.63	9.29	2.67	9.74	2.72	9.97	2.74	10.19	2.76	10.66	2.81	11.12	2.85
						35	8.66	2.69	9.11	2.74	9.55	2.78	9.80	2.80	10.01	2.83	10.47	2.87	10.94	2.92
						37	8.48	2.76	8.92	2.80	9.37	2.85	9.60	2.87	9.83	2.89	10.29	2.94	10.76	2.99
						39	8.29	2.82	8.74	2.87	9.19	2.92	9.42	2.94	9.65	2.96	10.11	3.01	10.58	3.05
42	8.02	2.92	8.46	2.97	8.91	3.02	9.14	3.04	9.37	3.06	9.84	3.11	10.31	3.16						
44	7.83	2.99	8.28	3.04	8.73	3.09	8.96	3.11	9.19	3.13	9.66	3.18	10.13	3.23						
46	7.65	3.06	8.10	3.11	8.55	3.16	8.78	3.18	9.01	3.20	9.48	3.25	9.95	3.30						

12. Capacity Table

Combination (Capacity Index)				Combination (Total)	Combination (%)	Outdoor Temperature (°C, DB)	Indoor Temperature(°C, WB)													
							14		16		18		19		20		22		24	
							TC(kW)	PI(kW)	TC(kW)	PI(kW)	TC(kW)	PI(kW)	TC(kW)	PI(kW)	TC(kW)	PI(kW)	TC(kW)	PI(kW)	TC(kW)	PI(kW)
2500	2500	5000	6800	16800	168%	10	11.02	2.05	11.45	2.09	11.89	2.14	12.11	2.16	12.34	2.18	12.79	2.22	13.25	2.27
						12	10.83	2.10	11.26	2.15	11.70	2.19	11.92	2.21	12.15	2.24	12.60	2.28	13.06	2.32
						14	10.64	2.16	11.07	2.20	11.51	2.25	11.74	2.27	11.96	2.29	12.41	2.34	12.87	2.38
						16	10.45	2.22	10.88	2.26	11.32	2.31	11.55	2.33	11.77	2.35	12.23	2.39	12.69	2.44
						18	10.26	2.27	10.69	2.32	11.14	2.36	11.36	2.39	11.58	2.41	12.04	2.45	12.50	2.50
						20	10.07	2.33	10.50	2.38	10.95	2.42	11.17	2.45	11.40	2.47	11.85	2.51	12.32	2.56
						21	9.97	2.36	10.41	2.41	10.85	2.45	11.08	2.48	11.30	2.50	11.76	2.54	12.22	2.59
						23	9.78	2.42	10.22	2.47	10.67	2.51	10.89	2.54	11.12	2.56	11.58	2.61	12.04	2.65
						25	9.60	2.49	10.03	2.53	10.48	2.58	10.71	2.60	10.93	2.62	11.39	2.67	11.86	2.71
						27	9.41	2.55	9.85	2.59	10.29	2.64	10.52	2.66	10.75	2.69	11.21	2.73	11.67	2.78
						29	9.22	2.61	9.66	2.66	10.11	2.70	10.33	2.73	10.56	2.75	11.02	2.80	11.49	2.84
						31	9.03	2.68	9.48	2.72	9.92	2.77	10.15	2.79	10.38	2.82	10.84	2.86	11.31	2.91
						33	8.85	2.74	9.29	2.79	9.74	2.84	9.97	2.86	10.19	2.88	10.66	2.93	11.12	2.98
						35	8.66	2.81	9.11	2.86	9.55	2.90	9.80	2.92	10.01	2.95	10.47	3.00	10.94	3.04
						37	8.48	2.88	8.92	2.92	9.37	2.97	9.60	2.99	9.83	3.02	10.29	3.07	10.76	3.11
						39	8.29	2.94	8.74	2.99	9.19	3.04	9.42	3.06	9.65	3.09	10.11	3.14	10.58	3.18
						42	8.02	3.05	8.46	3.10	8.91	3.15	9.14	3.17	9.37	3.19	9.84	3.24	10.31	3.29
44	7.83	3.12	8.28	3.17	8.73	3.22	8.96	3.24	9.19	3.27	9.66	3.31	10.13	3.36						
46	7.65	3.19	8.10	3.24	8.55	3.29	8.78	3.31	9.01	3.34	9.48	3.39	9.95	3.44						
2500	3500	3500	3500	13000	130%	10	10.23	1.95	10.63	1.99	11.04	2.03	11.25	2.05	11.46	2.08	11.88	2.12	12.30	2.16
						12	10.05	2.00	10.46	2.04	10.87	2.09	11.07	2.11	11.28	2.13	11.70	2.17	12.13	2.21
						14	9.88	2.06	10.28	2.10	10.69	2.14	10.90	2.16	11.11	2.18	11.53	2.22	11.95	2.27
						16	9.70	2.11	10.10	2.15	10.51	2.19	10.72	2.22	10.93	2.24	11.35	2.28	11.78	2.32
						18	9.52	2.17	9.93	2.21	10.34	2.25	10.55	2.27	10.76	2.29	11.18	2.34	11.61	2.38
						20	9.35	2.22	9.75	2.26	10.17	2.31	10.37	2.33	10.58	2.35	11.01	2.39	11.44	2.44
						21	9.26	2.25	9.67	2.29	10.08	2.34	10.29	2.36	10.50	2.38	10.92	2.42	11.35	2.47
						23	9.09	2.31	9.49	2.35	9.91	2.39	10.11	2.42	10.32	2.44	10.75	2.48	11.18	2.52
						25	8.91	2.37	9.32	2.41	9.73	2.45	9.94	2.48	10.15	2.50	10.58	2.54	11.01	2.58
						27	8.74	2.43	9.14	2.47	9.56	2.51	9.77	2.54	9.98	2.56	10.41	2.60	10.84	2.65
						29	8.56	2.49	8.97	2.53	9.39	2.57	9.60	2.60	9.81	2.62	10.24	2.66	10.67	2.71
						31	8.39	2.55	8.80	2.59	9.21	2.64	9.43	2.66	9.64	2.68	10.07	2.73	10.50	2.77
						33	8.22	2.61	8.63	2.65	9.04	2.70	9.25	2.72	9.47	2.74	9.90	2.79	10.33	2.83
						35	8.04	2.67	8.45	2.72	8.87	2.76	9.10	2.78	9.30	2.81	9.73	2.85	10.16	2.90
						37	7.87	2.74	8.28	2.78	8.70	2.83	8.91	2.85	9.13	2.87	9.56	2.92	9.99	2.96
						39	7.70	2.80	8.11	2.85	8.53	2.89	8.74	2.92	8.96	2.94	9.39	2.99	9.83	3.03
						42	7.44	2.90	7.86	2.95	8.28	2.99	8.49	3.02	8.70	3.04	9.14	3.09	9.57	3.13
44	7.27	2.97	7.69	3.02	8.11	3.06	8.32	3.09	8.54	3.11	8.97	3.16	9.41	3.20						
46	7.10	3.04	7.52	3.09	7.94	3.13	8.15	3.16	8.37	3.18	8.80	3.23	9.24	3.27						

12. Capacity Table

Combination (Capacity Index)				Combination (Total)	Combination (%)	Outdoor Temperature (°C,DB)	Indoor Temperature(°C, WB)													
							14		16		18		19		20		22		24	
							TC(kW)	PI(kW)	TC(kW)	PI(kW)	TC(kW)	PI(kW)	TC(kW)	PI(kW)	TC(kW)	PI(kW)	TC(kW)	PI(kW)	TC(kW)	PI(kW)
2500	3500	3500	5000	14500	145%	10	10.57	1.96	10.98	2.00	11.41	2.04	11.62	2.06	11.83	2.08	12.27	2.12	12.71	2.17
						12	10.39	2.01	10.80	2.05	11.22	2.09	11.44	2.12	11.65	2.14	12.09	2.18	12.53	2.22
						14	10.20	2.06	10.62	2.11	11.04	2.15	11.26	2.17	11.47	2.19	11.91	2.23	12.35	2.27
						16	10.02	2.12	10.44	2.16	10.86	2.20	11.08	2.22	11.29	2.25	11.73	2.29	12.17	2.33
						18	9.84	2.17	10.26	2.22	10.68	2.26	10.90	2.28	11.11	2.30	11.55	2.34	11.99	2.39
						20	9.66	2.23	10.08	2.27	10.50	2.32	10.72	2.34	10.93	2.36	11.37	2.40	11.81	2.45
						21	9.57	2.26	9.99	2.30	10.41	2.34	10.63	2.37	10.84	2.39	11.28	2.43	11.73	2.47
						23	9.38	2.32	9.81	2.36	10.23	2.40	10.45	2.42	10.66	2.45	11.10	2.49	11.55	2.53
						25	9.20	2.37	9.63	2.42	10.05	2.46	10.27	2.48	10.49	2.51	10.93	2.55	11.37	2.59
						27	9.02	2.43	9.45	2.48	9.87	2.52	10.09	2.54	10.31	2.57	10.75	2.61	11.20	2.65
						29	8.84	2.49	9.27	2.54	9.70	2.58	9.91	2.61	10.13	2.63	10.57	2.67	11.02	2.72
						31	8.67	2.56	9.09	2.60	9.52	2.65	9.74	2.67	9.95	2.69	10.40	2.74	10.85	2.78
						33	8.49	2.62	8.91	2.66	9.34	2.71	9.56	2.73	9.78	2.75	10.22	2.80	10.67	2.84
						35	8.31	2.68	8.73	2.73	9.16	2.77	9.40	2.79	9.60	2.82	10.05	2.86	10.50	2.91
						37	8.13	2.75	8.56	2.79	8.99	2.84	9.21	2.86	9.43	2.88	9.87	2.93	10.32	2.98
						39	7.95	2.81	8.38	2.86	8.81	2.90	9.03	2.93	9.25	2.95	9.70	3.00	10.15	3.04
42	7.69	2.91	8.12	2.96	8.55	3.01	8.77	3.03	8.99	3.05	9.44	3.10	9.89	3.14						
44	7.51	2.98	7.94	3.03	8.38	3.07	8.60	3.10	8.82	3.12	9.26	3.17	9.72	3.21						
46	7.34	3.05	7.77	3.10	8.20	3.14	8.42	3.17	8.64	3.19	9.09	3.24	9.55	3.28						
2500	3500	3500	6800	16300	163%	10	11.02	2.01	11.45	2.05	11.89	2.09	12.11	2.11	12.34	2.14	12.79	2.18	13.25	2.22
						12	10.83	2.06	11.26	2.10	11.70	2.15	11.92	2.17	12.15	2.19	12.60	2.23	13.06	2.28
						14	10.64	2.12	11.07	2.16	11.51	2.20	11.74	2.22	11.96	2.25	12.41	2.29	12.87	2.33
						16	10.45	2.17	10.88	2.21	11.32	2.26	11.55	2.28	11.77	2.30	12.23	2.35	12.69	2.39
						18	10.26	2.23	10.69	2.27	11.14	2.32	11.36	2.34	11.58	2.36	12.04	2.40	12.50	2.45
						20	10.07	2.29	10.50	2.33	10.95	2.37	11.17	2.40	11.40	2.42	11.85	2.46	12.32	2.51
						21	9.97	2.31	10.41	2.36	10.85	2.40	11.08	2.43	11.30	2.45	11.76	2.49	12.22	2.54
						23	9.78	2.37	10.22	2.42	10.67	2.46	10.89	2.49	11.12	2.51	11.58	2.55	12.04	2.60
						25	9.60	2.43	10.03	2.48	10.48	2.52	10.71	2.55	10.93	2.57	11.39	2.61	11.86	2.66
						27	9.41	2.50	9.85	2.54	10.29	2.59	10.52	2.61	10.75	2.63	11.21	2.68	11.67	2.72
						29	9.22	2.56	9.66	2.60	10.11	2.65	10.33	2.67	10.56	2.69	11.02	2.74	11.49	2.79
						31	9.03	2.62	9.48	2.67	9.92	2.71	10.15	2.74	10.38	2.76	10.84	2.80	11.31	2.85
						33	8.85	2.69	9.29	2.73	9.74	2.78	9.97	2.80	10.19	2.82	10.66	2.87	11.12	2.92
						35	8.66	2.75	9.11	2.80	9.55	2.84	9.80	2.86	10.01	2.89	10.47	2.94	10.94	2.98
						37	8.48	2.82	8.92	2.86	9.37	2.91	9.60	2.93	9.83	2.96	10.29	3.00	10.76	3.05
						39	8.29	2.88	8.74	2.93	9.19	2.98	9.42	3.00	9.65	3.02	10.11	3.07	10.58	3.12
42	8.02	2.99	8.46	3.03	8.91	3.08	9.14	3.10	9.37	3.13	9.84	3.18	10.31	3.22						
44	7.83	3.06	8.28	3.10	8.73	3.15	8.96	3.18	9.19	3.20	9.66	3.25	10.13	3.29						
46	7.65	3.13	8.10	3.17	8.55	3.22	8.78	3.25	9.01	3.27	9.48	3.32	9.95	3.37						

12. Capacity Table

Combination (Capacity Index)				Combination (Total)	Combination (%)	Outdoor Temperature (°C,DB)	Indoor Temperature(°C, WB)															
							14		16		18		19		20		22		24			
							TC(kW)	PI(kW)	TC(kW)	PI(kW)	TC(kW)	PI(kW)	TC(kW)	PI(kW)	TC(kW)	PI(kW)	TC(kW)	PI(kW)	TC(kW)	PI(kW)		
2500	3500	5000	5000	16000	160%	10	11.02	2.00	11.45	2.04	11.89	2.08	12.11	2.11	12.34	2.13	12.79	2.17	13.25	2.21		
						12	10.83	2.05	11.26	2.10	11.70	2.14	11.92	2.16	12.15	2.18	12.60	2.22	13.06	2.27		
						14	10.64	2.11	11.07	2.15	11.51	2.19	11.74	2.22	11.96	2.24	12.41	2.28	12.87	2.32		
						16	10.45	2.16	10.88	2.21	11.32	2.25	11.55	2.27	11.77	2.29	12.23	2.34	12.69	2.38		
						18	10.26	2.22	10.69	2.26	11.14	2.31	11.36	2.33	11.58	2.35	12.04	2.39	12.50	2.44		
						20	10.07	2.28	10.50	2.32	10.95	2.37	11.17	2.39	11.40	2.41	11.85	2.45	12.32	2.50		
						21	9.97	2.31	10.41	2.35	10.85	2.39	11.08	2.42	11.30	2.44	11.76	2.48	12.22	2.53		
						23	9.78	2.37	10.22	2.41	10.67	2.45	10.89	2.48	11.12	2.50	11.58	2.54	12.04	2.59		
						25	9.60	2.43	10.03	2.47	10.48	2.52	10.71	2.54	10.93	2.56	11.39	2.60	11.86	2.65		
						27	9.41	2.49	9.85	2.53	10.29	2.58	10.52	2.60	10.75	2.62	11.21	2.67	11.67	2.71		
						29	9.22	2.55	9.66	2.59	10.11	2.64	10.33	2.66	10.56	2.68	11.02	2.73	11.49	2.78		
						31	9.03	2.61	9.48	2.66	9.92	2.70	10.15	2.73	10.38	2.75	10.84	2.79	11.31	2.84		
						33	8.85	2.68	9.29	2.72	9.74	2.77	9.97	2.79	10.19	2.81	10.66	2.86	11.12	2.91		
						35	8.66	2.74	9.11	2.79	9.55	2.83	9.80	2.85	10.01	2.88	10.47	2.93	10.94	2.97		
						37	8.48	2.81	8.92	2.85	9.37	2.90	9.60	2.92	9.83	2.95	10.29	2.99	10.76	3.04		
						39	8.29	2.87	8.74	2.92	9.19	2.97	9.42	2.99	9.65	3.01	10.11	3.06	10.58	3.11		
42	8.02	2.98	8.46	3.02	8.91	3.07	9.14	3.09	9.37	3.12	9.84	3.16	10.31	3.21								
44	7.83	3.05	8.28	3.09	8.73	3.14	8.96	3.16	9.19	3.19	9.66	3.24	10.13	3.28								
46	7.65	3.12	8.10	3.16	8.55	3.21	8.78	3.24	9.01	3.26	9.48	3.31	9.95	3.35								
3500	3500	3500	3500	14000	140%	10	10.48	1.99	10.89	2.03	11.31	2.07	11.52	2.09	11.73	2.11	12.16	2.15	12.60	2.20		
						12	10.30	2.04	10.71	2.08	11.13	2.12	11.34	2.15	11.55	2.17	11.98	2.21	12.42	2.25		
						14	10.12	2.09	10.53	2.14	10.95	2.18	11.16	2.20	11.37	2.22	11.81	2.26	12.24	2.31		
						16	9.93	2.15	10.35	2.19	10.77	2.23	10.98	2.26	11.20	2.28	11.63	2.32	12.07	2.36		
						18	9.75	2.20	10.17	2.25	10.59	2.29	10.80	2.31	11.02	2.33	11.45	2.38	11.89	2.42		
						20	9.57	2.26	9.99	2.31	10.41	2.35	10.62	2.37	10.84	2.39	11.27	2.44	11.71	2.48		
						21	9.48	2.29	9.90	2.33	10.32	2.38	10.54	2.40	10.75	2.42	11.19	2.47	11.63	2.51		
						23	9.30	2.35	9.72	2.39	10.14	2.44	10.36	2.46	10.57	2.48	11.01	2.53	11.45	2.57		
						25	9.13	2.41	9.54	2.45	9.97	2.50	10.18	2.52	10.40	2.54	10.83	2.59	11.28	2.63		
						27	8.95	2.47	9.37	2.51	9.79	2.56	10.00	2.58	10.22	2.60	10.66	2.65	11.10	2.69		
						29	8.77	2.53	9.19	2.58	9.61	2.62	9.83	2.64	10.05	2.67	10.48	2.71	10.93	2.76		
						31	8.59	2.59	9.01	2.64	9.44	2.68	9.65	2.71	9.87	2.73	10.31	2.77	10.75	2.82		
						33	8.41	2.66	8.84	2.70	9.26	2.75	9.48	2.77	9.70	2.79	10.13	2.84	10.58	2.88		
						35	8.24	2.72	8.66	2.77	9.09	2.81	9.32	2.83	9.52	2.86	9.96	2.90	10.41	2.95		
						37	8.06	2.79	8.48	2.83	8.91	2.88	9.13	2.90	9.35	2.93	9.79	2.97	10.24	3.02		
						39	7.89	2.85	8.31	2.90	8.74	2.95	8.96	2.97	9.17	2.99	9.62	3.04	10.06	3.09		
42	7.62	2.96	8.05	3.00	8.48	3.05	8.70	3.07	8.91	3.10	9.36	3.14	9.81	3.19								
44	7.45	3.02	7.87	3.07	8.30	3.12	8.52	3.14	8.74	3.17	9.19	3.21	9.64	3.26								
46	7.27	3.09	7.70	3.14	8.13	3.19	8.35	3.21	8.57	3.24	9.01	3.28	9.47	3.33								

12. Capacity Table

Combination (Capacity Index)				Combination (Total)	Combination (%)	Outdoor Temperature (°C, DB)	Indoor Temperature(°C, WB)													
							14		16		18		19		20		22		24	
							TC(kW)	PI(kW)	TC(kW)	PI(kW)	TC(kW)	PI(kW)	TC(kW)	PI(kW)	TC(kW)	PI(kW)	TC(kW)	PI(kW)	TC(kW)	PI(kW)
3500	3500	3500	5000	15500	155%	10	11.02	1.99	11.45	2.04	11.89	2.08	12.11	2.10	12.34	2.12	12.79	2.16	13.25	2.21
						12	10.83	2.05	11.26	2.09	11.70	2.13	11.92	2.15	12.15	2.17	12.60	2.22	13.06	2.26
						14	10.64	2.10	11.07	2.14	11.51	2.19	11.74	2.21	11.96	2.23	12.41	2.27	12.87	2.32
						16	10.45	2.16	10.88	2.20	11.32	2.24	11.55	2.26	11.77	2.29	12.23	2.33	12.69	2.37
						18	10.26	2.21	10.69	2.26	11.14	2.30	11.36	2.32	11.58	2.34	12.04	2.39	12.50	2.43
						20	10.07	2.27	10.50	2.31	10.95	2.36	11.17	2.38	11.40	2.40	11.85	2.45	12.32	2.49
						21	9.97	2.30	10.41	2.34	10.85	2.39	11.08	2.41	11.30	2.43	11.76	2.47	12.22	2.52
						23	9.78	2.36	10.22	2.40	10.67	2.45	10.89	2.47	11.12	2.49	11.58	2.53	12.04	2.58
						25	9.60	2.42	10.03	2.46	10.48	2.51	10.71	2.53	10.93	2.55	11.39	2.60	11.86	2.64
						27	9.41	2.48	9.85	2.52	10.29	2.57	10.52	2.59	10.75	2.61	11.21	2.66	11.67	2.70
						29	9.22	2.54	9.66	2.58	10.11	2.63	10.33	2.65	10.56	2.68	11.02	2.72	11.49	2.77
						31	9.03	2.60	9.48	2.65	9.92	2.69	10.15	2.72	10.38	2.74	10.84	2.78	11.31	2.83
						33	8.85	2.67	9.29	2.71	9.74	2.76	9.97	2.78	10.19	2.80	10.66	2.85	11.12	2.89
						35	8.66	2.73	9.11	2.78	9.55	2.82	9.80	2.84	10.01	2.87	10.47	2.92	10.94	2.96
						37	8.48	2.80	8.92	2.84	9.37	2.89	9.60	2.91	9.83	2.94	10.29	2.98	10.76	3.03
39	8.29	2.86	8.74	2.91	9.19	2.96	9.42	2.98	9.65	3.00	10.11	3.05	10.58	3.10						
42	8.02	2.97	8.46	3.01	8.91	3.06	9.14	3.08	9.37	3.11	9.84	3.15	10.31	3.20						
44	7.83	3.03	8.28	3.08	8.73	3.13	8.96	3.15	9.19	3.18	9.66	3.22	10.13	3.27						
46	7.65	3.11	8.10	3.15	8.55	3.20	8.78	3.22	9.01	3.25	9.48	3.30	9.95	3.34						
3500	3500	3500	6800	17300	173%	10	11.02	2.04	11.45	2.09	11.89	2.13	12.11	2.15	12.34	2.17	12.79	2.22	13.25	2.26
						12	10.83	2.10	11.26	2.14	11.70	2.18	11.92	2.21	12.15	2.23	12.60	2.27	13.06	2.32
						14	10.64	2.15	11.07	2.20	11.51	2.24	11.74	2.26	11.96	2.28	12.41	2.33	12.87	2.37
						16	10.45	2.21	10.88	2.25	11.32	2.30	11.55	2.32	11.77	2.34	12.23	2.39	12.69	2.43
						18	10.26	2.27	10.69	2.31	11.14	2.36	11.36	2.38	11.58	2.40	12.04	2.45	12.50	2.49
						20	10.07	2.33	10.50	2.37	10.95	2.42	11.17	2.44	11.40	2.46	11.85	2.51	12.32	2.55
						21	9.97	2.36	10.41	2.40	10.85	2.45	11.08	2.47	11.30	2.49	11.76	2.54	12.22	2.58
						23	9.78	2.42	10.22	2.46	10.67	2.51	10.89	2.53	11.12	2.55	11.58	2.60	12.04	2.64
						25	9.60	2.48	10.03	2.52	10.48	2.57	10.71	2.59	10.93	2.61	11.39	2.66	11.86	2.71
						27	9.41	2.54	9.85	2.58	10.29	2.63	10.52	2.65	10.75	2.68	11.21	2.72	11.67	2.77
						29	9.22	2.60	9.66	2.65	10.11	2.69	10.33	2.72	10.56	2.74	11.02	2.79	11.49	2.83
						31	9.03	2.67	9.48	2.71	9.92	2.76	10.15	2.78	10.38	2.81	10.84	2.85	11.31	2.90
						33	8.85	2.73	9.29	2.78	9.74	2.83	9.97	2.85	10.19	2.87	10.66	2.92	11.12	2.97
						35	8.66	2.80	9.11	2.85	9.55	2.89	9.80	2.91	10.01	2.94	10.47	2.99	10.94	3.03
						37	8.48	2.87	8.92	2.91	9.37	2.96	9.60	2.98	9.83	3.01	10.29	3.06	10.76	3.10
39	8.29	2.93	8.74	2.98	9.19	3.03	9.42	3.05	9.65	3.08	10.11	3.13	10.58	3.17						
42	8.02	3.04	8.46	3.09	8.91	3.14	9.14	3.16	9.37	3.18	9.84	3.23	10.31	3.28						
44	7.83	3.11	8.28	3.16	8.73	3.21	8.96	3.23	9.19	3.26	9.66	3.30	10.13	3.35						
46	7.65	3.18	8.10	3.23	8.55	3.28	8.78	3.30	9.01	3.33	9.48	3.38	9.95	3.43						

12. Capacity Table

Combination (Capacity Index)				Combination (Total)	Combination (%)	Outdoor Temperature (°C,DB)	Indoor Temperature(°C, WB)													
							14		16		18		19		20		22		24	
							TC(kW)	PI(kW)	TC(kW)	PI(kW)	TC(kW)	PI(kW)	TC(kW)	PI(kW)	TC(kW)	PI(kW)	TC(kW)	PI(kW)	TC(kW)	PI(kW)
3500	3500	5000	5000	17000	170%	10	11.02	2.04	11.45	2.09	11.89	2.13	12.11	2.15	12.34	2.17	12.79	2.22	13.25	2.26
						12	10.83	2.10	11.26	2.14	11.70	2.18	11.92	2.21	12.15	2.23	12.60	2.27	13.06	2.32
						14	10.64	2.15	11.07	2.20	11.51	2.24	11.74	2.26	11.96	2.28	12.41	2.33	12.87	2.37
						16	10.45	2.21	10.88	2.25	11.32	2.30	11.55	2.32	11.77	2.34	12.23	2.39	12.69	2.43
						18	10.26	2.27	10.69	2.31	11.14	2.36	11.36	2.38	11.58	2.40	12.04	2.45	12.50	2.49
						20	10.07	2.33	10.50	2.37	10.95	2.42	11.17	2.44	11.40	2.46	11.85	2.51	12.32	2.55
						21	9.97	2.36	10.41	2.40	10.85	2.45	11.08	2.47	11.30	2.49	11.76	2.54	12.22	2.58
						23	9.78	2.42	10.22	2.46	10.67	2.51	10.89	2.53	11.12	2.55	11.58	2.60	12.04	2.64
						25	9.60	2.48	10.03	2.52	10.48	2.57	10.71	2.59	10.93	2.61	11.39	2.66	11.86	2.71
						27	9.41	2.54	9.85	2.58	10.29	2.63	10.52	2.65	10.75	2.68	11.21	2.72	11.67	2.77
						29	9.22	2.60	9.66	2.65	10.11	2.69	10.33	2.72	10.56	2.74	11.02	2.79	11.49	2.83
						31	9.03	2.67	9.48	2.71	9.92	2.76	10.15	2.78	10.38	2.81	10.84	2.85	11.31	2.90
						33	8.85	2.73	9.29	2.78	9.74	2.83	9.97	2.85	10.19	2.87	10.66	2.92	11.12	2.97
						35	8.66	2.80	9.11	2.85	9.55	2.89	9.80	2.91	10.01	2.94	10.47	2.99	10.94	3.03
						37	8.48	2.87	8.92	2.91	9.37	2.96	9.60	2.98	9.83	3.01	10.29	3.06	10.76	3.10
						39	8.29	2.93	8.74	2.98	9.19	3.03	9.42	3.05	9.65	3.08	10.11	3.13	10.58	3.17
42	8.02	3.04	8.46	3.09	8.91	3.14	9.14	3.16	9.37	3.18	9.84	3.23	10.31	3.28						
44	7.83	3.11	8.28	3.16	8.73	3.21	8.96	3.23	9.19	3.26	9.66	3.30	10.13	3.35						
46	7.65	3.18	8.10	3.23	8.55	3.28	8.78	3.30	9.01	3.33	9.48	3.38	9.95	3.43						
2000	2000	2000	2000	10000	100%	10	8.40	1.86	11.84	1.91	12.07	1.95	12.20	1.98	12.35	2.00	12.70	2.04	13.10	2.08
						12	8.40	1.91	11.52	1.96	11.76	2.00	11.90	2.02	12.06	2.04	12.42	2.09	12.85	2.13
						14	8.40	1.96	11.21	2.00	11.47	2.05	11.62	2.07	11.79	2.09	12.16	2.13	12.60	2.17
						16	8.40	2.01	10.92	2.05	11.19	2.10	11.35	2.12	11.52	2.14	11.92	2.18	12.37	2.22
						18	8.40	2.06	10.63	2.10	10.92	2.15	11.09	2.17	11.27	2.19	11.68	2.23	12.16	2.27
						20	8.40	2.11	10.36	2.16	10.67	2.20	10.85	2.22	11.04	2.24	11.46	2.28	11.95	2.32
						21	8.40	2.14	10.23	2.18	10.55	2.23	10.73	2.25	10.92	2.27	11.36	2.31	11.86	2.35
						23	8.40	2.19	9.98	2.24	10.32	2.28	10.50	2.30	10.71	2.32	11.16	2.36	11.67	2.40
						25	8.40	2.25	9.75	2.29	10.10	2.34	10.29	2.36	10.50	2.38	10.97	2.42	11.50	2.46
						27	8.40	2.30	9.52	2.35	9.89	2.39	10.09	2.41	10.31	2.44	10.80	2.48	11.34	2.52
						29	8.40	2.36	9.31	2.41	9.69	2.45	9.91	2.47	10.14	2.49	10.64	2.53	11.20	2.57
						31	8.40	2.42	9.12	2.47	9.51	2.51	9.74	2.53	9.97	2.55	10.49	2.59	11.07	2.63
						33	8.40	2.48	8.93	2.53	9.35	2.57	9.58	2.59	9.82	2.61	10.35	2.66	10.95	2.69
						35	8.40	2.55	8.76	2.59	9.19	2.64	9.50	2.65	9.68	2.68	10.23	2.72	10.84	2.76
						37	8.40	2.61	8.61	2.66	9.05	2.70	9.30	2.72	9.56	2.74	10.13	2.78	10.75	2.82
						39	8.40	2.68	8.46	2.72	8.92	2.76	9.18	2.79	9.45	2.81	10.03	2.85	10.67	2.88
42	8.40	2.78	8.27	2.82	8.76	2.87	9.02	2.89	9.31	2.91	9.91	2.95	10.58	2.98						
44	8.40	2.85	8.16	2.89	8.66	2.93	8.94	2.96	9.23	2.98	9.85	3.01	10.54	3.05						
46	8.40	2.92	8.06	2.96	8.58	3.00	8.86	3.03	9.16	3.05	9.80	3.08	10.50	3.12						

12. Capacity Table

Combination (Capacity Index)					Combination (Total)	Combination (%)	Outdoor Temperature (°C, DB)	Indoor Temperature(°C, WB)															
								14		16		18		19		20		22		24			
								TC(kW)	PI(kW)	TC(kW)	PI(kW)	TC(kW)	PI(kW)	TC(kW)	PI(kW)	TC(kW)	PI(kW)	TC(kW)	PI(kW)	TC(kW)	PI(kW)		
2000	2000	2000	2000	2500	10500	105%	10	8.44	1.90	11.91	1.94	12.13	1.99	12.27	2.01	12.42	2.04	12.76	2.08	13.17	2.12		
							12	8.44	1.94	11.58	1.99	11.82	2.04	11.97	2.06	12.13	2.08	12.49	2.13	12.91	2.17		
							14	8.44	1.99	11.27	2.04	11.53	2.09	11.68	2.11	11.85	2.13	12.23	2.17	12.67	2.22		
							16	8.44	2.04	10.97	2.09	11.25	2.14	11.41	2.16	11.58	2.18	11.98	2.22	12.44	2.27		
							18	8.44	2.10	10.69	2.14	10.98	2.19	11.15	2.21	11.33	2.23	11.75	2.28	12.22	2.32		
							20	8.44	2.15	10.42	2.20	10.73	2.24	10.90	2.26	11.09	2.29	11.52	2.33	12.02	2.37		
							21	8.44	2.18	10.29	2.22	10.60	2.27	10.78	2.29	10.98	2.31	11.42	2.35	11.92	2.40		
							23	8.44	2.23	10.04	2.28	10.37	2.32	10.56	2.35	10.76	2.37	11.22	2.41	11.73	2.45		
							25	8.44	2.29	9.80	2.34	10.15	2.38	10.35	2.40	10.56	2.42	11.03	2.47	11.56	2.51		
							27	8.44	2.35	9.57	2.39	9.94	2.44	10.15	2.46	10.37	2.48	10.85	2.52	11.40	2.56		
							29	8.44	2.41	9.36	2.45	9.75	2.50	9.96	2.52	10.19	2.54	10.69	2.58	11.26	2.62		
							31	8.44	2.47	9.17	2.51	9.56	2.56	9.79	2.58	10.02	2.60	10.54	2.64	11.13	2.68		
							33	8.44	2.53	8.98	2.58	9.40	2.62	9.63	2.64	9.87	2.66	10.41	2.71	11.01	2.74		
							35	8.44	2.60	8.81	2.64	9.24	2.69	9.55	2.70	9.73	2.73	10.29	2.77	10.90	2.81		
							37	8.44	2.66	8.65	2.71	9.10	2.75	9.35	2.77	9.61	2.79	10.18	2.83	10.81	2.87		
							39	8.44	2.73	8.51	2.77	8.97	2.82	9.23	2.84	9.50	2.86	10.08	2.90	10.73	2.94		
42	8.44	2.83	8.32	2.88	8.80	2.92	9.07	2.94	9.35	2.96	9.97	3.00	10.64	3.04									
44	8.44	2.90	8.20	2.95	8.71	2.99	8.98	3.01	9.28	3.03	9.90	3.07	10.59	3.11									
46	8.44	2.97	8.11	3.02	8.63	3.06	8.91	3.08	9.21	3.10	9.85	3.14	10.56	3.18									
2000	2000	2000	2000	3500	11500	115%	10	8.54	1.93	12.04	1.98	12.27	2.03	12.41	2.05	12.56	2.07	12.91	2.12	13.32	2.16		
							12	8.54	1.98	11.71	2.03	11.96	2.08	12.10	2.10	12.27	2.12	12.63	2.17	13.06	2.21		
							14	8.54	2.03	11.40	2.08	11.66	2.13	11.82	2.15	11.98	2.17	12.37	2.21	12.82	2.26		
							16	8.54	2.08	11.10	2.13	11.38	2.18	11.54	2.20	11.72	2.22	12.12	2.27	12.58	2.31		
							18	8.54	2.13	10.81	2.18	11.11	2.23	11.28	2.25	11.46	2.27	11.88	2.32	12.36	2.36		
							20	8.54	2.19	10.54	2.24	10.85	2.28	11.03	2.31	11.22	2.33	11.66	2.37	12.15	2.41		
							21	8.54	2.22	10.41	2.26	10.73	2.31	10.91	2.33	11.11	2.36	11.55	2.40	12.05	2.44		
							23	8.54	2.27	10.15	2.32	10.49	2.37	10.68	2.39	10.89	2.41	11.35	2.45	11.87	2.50		
							25	8.54	2.33	9.91	2.38	10.27	2.42	10.46	2.45	10.68	2.47	11.16	2.51	11.69	2.55		
							27	8.54	2.39	9.69	2.44	10.05	2.48	10.26	2.51	10.49	2.53	10.98	2.57	11.53	2.61		
							29	8.54	2.45	9.47	2.50	9.86	2.54	10.07	2.57	10.31	2.59	10.82	2.63	11.39	2.67		
							31	8.54	2.51	9.27	2.56	9.67	2.61	9.90	2.63	10.14	2.65	10.67	2.69	11.25	2.73		
							33	8.54	2.58	9.08	2.62	9.50	2.67	9.74	2.69	9.99	2.71	10.53	2.76	11.13	2.80		
							35	8.54	2.64	8.91	2.69	9.35	2.73	9.66	2.75	9.85	2.78	10.41	2.82	11.03	2.86		
							37	8.54	2.71	8.75	2.76	9.20	2.80	9.45	2.82	9.72	2.84	10.30	2.89	10.93	2.93		
							39	8.54	2.78	8.61	2.82	9.08	2.87	9.33	2.89	9.61	2.91	10.20	2.95	10.85	2.99		
42	8.54	2.88	8.41	2.93	8.91	2.97	9.18	3.00	9.46	3.02	10.08	3.06	10.76	3.10									
44	8.54	2.96	8.30	3.00	8.81	3.05	9.09	3.07	9.38	3.09	10.02	3.13	10.71	3.17									
46	8.54	3.03	8.20	3.07	8.73	3.12	9.01	3.14	9.32	3.16	9.97	3.20	10.68	3.24									

12. Capacity Table

Combination (Capacity Index)				Combination (Total)	Combination (%)	Outdoor Temperature (°C, DB)	Indoor Temperature(°C, WB)														
							14		16		18		19		20		22		24		
							TC(kW)	PI(kW)	TC(kW)	PI(kW)	TC(kW)	PI(kW)	TC(kW)	PI(kW)	TC(kW)	PI(kW)	TC(kW)	PI(kW)	TC(kW)	PI(kW)	
2000	2000	2000	2000	5000	13000	130%	10	11.24	1.97	11.69	2.01	12.13	2.06	12.36	2.08	12.59	2.10	13.05	2.14	13.52	2.18
							12	11.05	2.02	11.49	2.07	11.94	2.11	12.17	2.13	12.40	2.15	12.86	2.19	13.33	2.24
							14	10.85	2.08	11.30	2.12	11.75	2.16	11.97	2.18	12.20	2.21	12.67	2.25	13.14	2.29
							16	10.66	2.13	11.10	2.18	11.55	2.22	11.78	2.24	12.01	2.26	12.48	2.30	12.95	2.35
							18	10.47	2.19	10.91	2.23	11.36	2.27	11.59	2.30	11.82	2.32	12.29	2.36	12.76	2.40
							20	10.27	2.25	10.72	2.29	11.17	2.33	11.40	2.35	11.63	2.38	12.10	2.42	12.57	2.46
							21	10.18	2.27	10.62	2.32	11.08	2.36	11.30	2.38	11.54	2.40	12.00	2.45	12.47	2.49
							23	9.98	2.33	10.43	2.38	10.88	2.42	11.11	2.44	11.35	2.46	11.81	2.51	12.29	2.55
							25	9.79	2.39	10.24	2.44	10.69	2.48	10.92	2.50	11.16	2.52	11.62	2.57	12.10	2.61
							27	9.60	2.45	10.05	2.50	10.50	2.54	10.73	2.56	10.97	2.58	11.44	2.63	11.91	2.67
							29	9.41	2.51	9.86	2.56	10.32	2.60	10.55	2.62	10.78	2.65	11.25	2.69	11.72	2.74
							31	9.22	2.57	9.67	2.62	10.13	2.66	10.36	2.69	10.59	2.71	11.06	2.75	11.54	2.80
							33	9.03	2.64	9.48	2.68	9.94	2.73	10.17	2.75	10.40	2.77	10.87	2.82	11.35	2.86
							35	8.84	2.70	9.29	2.75	9.75	2.79	10.00	2.81	10.22	2.84	10.69	2.88	11.17	2.93
							37	8.65	2.77	9.10	2.81	9.56	2.86	9.79	2.88	10.03	2.90	10.50	2.95	10.98	3.00
							39	8.46	2.83	8.92	2.88	9.38	2.93	9.61	2.95	9.84	2.97	10.32	3.02	10.80	3.06
42	8.18	2.93	8.63	2.98	9.10	3.03	9.33	3.05	9.56	3.07	10.04	3.12	10.52	3.17							
44	7.99	3.00	8.45	3.05	8.91	3.10	9.14	3.12	9.38	3.14	9.86	3.19	10.34	3.24							
46	7.80	3.07	8.26	3.12	8.73	3.17	8.96	3.19	9.20	3.21	9.67	3.26	10.16	3.31							
2000	2000	2000	2000	6800	14800	148%	10	11.24	1.99	11.69	2.03	12.13	2.07	12.36	2.09	12.59	2.11	13.05	2.15	13.52	2.20
							12	11.05	2.04	11.49	2.08	11.94	2.12	12.17	2.15	12.40	2.17	12.86	2.21	13.33	2.25
							14	10.85	2.09	11.30	2.14	11.75	2.18	11.97	2.20	12.20	2.22	12.67	2.26	13.14	2.31
							16	10.66	2.15	11.10	2.19	11.55	2.23	11.78	2.26	12.01	2.28	12.48	2.32	12.95	2.36
							18	10.47	2.20	10.91	2.25	11.36	2.29	11.59	2.31	11.82	2.33	12.29	2.38	12.76	2.42
							20	10.27	2.26	10.72	2.31	11.17	2.35	11.40	2.37	11.63	2.39	12.10	2.44	12.57	2.48
							21	10.18	2.29	10.62	2.33	11.08	2.38	11.30	2.40	11.54	2.42	12.00	2.47	12.47	2.51
							23	9.98	2.35	10.43	2.39	10.88	2.44	11.11	2.46	11.35	2.48	11.81	2.53	12.29	2.57
							25	9.79	2.41	10.24	2.45	10.69	2.50	10.92	2.52	11.16	2.54	11.62	2.59	12.10	2.63
							27	9.60	2.47	10.05	2.51	10.50	2.56	10.73	2.58	10.97	2.60	11.44	2.65	11.91	2.69
							29	9.41	2.53	9.86	2.58	10.32	2.62	10.55	2.64	10.78	2.67	11.25	2.71	11.72	2.76
							31	9.22	2.59	9.67	2.64	10.13	2.68	10.36	2.71	10.59	2.73	11.06	2.77	11.54	2.82
							33	9.03	2.66	9.48	2.70	9.94	2.75	10.17	2.77	10.40	2.79	10.87	2.84	11.35	2.88
							35	8.84	2.72	9.29	2.77	9.75	2.81	10.00	2.83	10.22	2.86	10.69	2.90	11.17	2.95
							37	8.65	2.79	9.10	2.83	9.56	2.88	9.79	2.90	10.03	2.93	10.50	2.97	10.98	3.02
							39	8.46	2.85	8.92	2.90	9.38	2.95	9.61	2.97	9.84	2.99	10.32	3.04	10.80	3.09
42	8.18	2.96	8.63	3.00	9.10	3.05	9.33	3.07	9.56	3.10	10.04	3.14	10.52	3.19							
44	7.99	3.02	8.45	3.07	8.91	3.12	9.14	3.14	9.38	3.17	9.86	3.21	10.34	3.26							
46	7.80	3.09	8.26	3.14	8.73	3.19	8.96	3.21	9.20	3.24	9.67	3.28	10.16	3.33							

12. Capacity Table

Combination (Capacity Index)					Combination (Total)	Combination (%)	Outdoor Temperature (°C, DB)	Indoor Temperature(°C, WB)													
								14		16		18		19		20		22		24	
								TC(kW)	PI(kW)	TC(kW)	PI(kW)	TC(kW)	PI(kW)	TC(kW)	PI(kW)	TC(kW)	PI(kW)	TC(kW)	PI(kW)	TC(kW)	PI(kW)
2000	2000	2000	2500	2500	11000	110%	10	8.49	1.90	11.98	1.94	12.21	1.99	12.34	2.01	12.49	2.04	12.84	2.08	13.26	2.12
							12	8.49	1.94	11.65	1.99	11.90	2.04	12.04	2.06	12.20	2.08	12.57	2.13	13.00	2.17
							14	8.49	1.99	11.34	2.04	11.60	2.09	11.75	2.11	11.92	2.13	12.31	2.17	12.75	2.22
							16	8.49	2.04	11.04	2.09	11.32	2.14	11.48	2.16	11.66	2.18	12.06	2.22	12.52	2.27
							18	8.49	2.10	10.76	2.14	11.05	2.19	11.22	2.21	11.40	2.23	11.82	2.28	12.30	2.32
							20	8.49	2.15	10.48	2.20	10.79	2.24	10.97	2.26	11.16	2.29	11.60	2.33	12.09	2.37
							21	8.49	2.18	10.35	2.22	10.67	2.27	10.85	2.29	11.05	2.31	11.49	2.35	11.99	2.40
							23	8.49	2.23	10.10	2.28	10.43	2.32	10.62	2.35	10.83	2.37	11.29	2.41	11.81	2.45
							25	8.49	2.29	9.86	2.34	10.21	2.38	10.41	2.40	10.62	2.42	11.10	2.47	11.63	2.51
							27	8.49	2.35	9.64	2.39	10.00	2.44	10.21	2.46	10.43	2.48	10.92	2.52	11.47	2.56
							29	8.49	2.41	9.42	2.45	9.81	2.50	10.02	2.52	10.25	2.54	10.76	2.58	11.33	2.62
							31	8.49	2.47	9.22	2.51	9.62	2.56	9.85	2.58	10.09	2.60	10.61	2.64	11.20	2.68
							33	8.49	2.53	9.04	2.58	9.46	2.62	9.69	2.64	9.93	2.66	10.47	2.71	11.08	2.74
							35	8.49	2.60	8.87	2.64	9.30	2.69	9.61	2.70	9.79	2.73	10.35	2.77	10.97	2.81
							37	8.49	2.66	8.71	2.71	9.16	2.75	9.41	2.77	9.67	2.79	10.24	2.83	10.88	2.87
							39	8.49	2.73	8.56	2.77	9.03	2.82	9.28	2.84	9.56	2.86	10.15	2.90	10.80	2.94
42	8.49	2.83	8.37	2.88	8.86	2.92	9.13	2.94	9.41	2.96	10.03	3.00	10.70	3.04							
44	8.49	2.90	8.26	2.95	8.76	2.99	9.04	3.01	9.33	3.03	9.97	3.07	10.66	3.11							
46	8.49	2.97	8.16	3.02	8.68	3.06	8.97	3.08	9.27	3.10	9.92	3.14	10.63	3.18							
2000	2000	2000	2500	3500	12000	120%	10	8.58	1.93	12.10	1.98	12.33	2.03	12.47	2.05	12.62	2.07	12.98	2.12	13.39	2.16
							12	8.58	1.98	11.78	2.03	12.02	2.08	12.17	2.10	12.33	2.12	12.70	2.17	13.13	2.21
							14	8.58	2.03	11.46	2.08	11.72	2.13	11.88	2.15	12.05	2.17	12.43	2.21	12.88	2.26
							16	8.58	2.08	11.16	2.13	11.44	2.18	11.60	2.20	11.78	2.22	12.18	2.27	12.65	2.31
							18	8.58	2.13	10.87	2.18	11.16	2.23	11.34	2.25	11.52	2.27	11.94	2.32	12.42	2.36
							20	8.58	2.19	10.59	2.24	10.91	2.28	11.09	2.31	11.28	2.33	11.72	2.37	12.22	2.41
							21	8.58	2.22	10.46	2.26	10.78	2.31	10.97	2.33	11.16	2.36	11.61	2.40	12.12	2.44
							23	8.58	2.27	10.21	2.32	10.54	2.37	10.74	2.39	10.94	2.41	11.41	2.45	11.93	2.50
							25	8.58	2.33	9.96	2.38	10.32	2.42	10.52	2.45	10.73	2.47	11.21	2.51	11.75	2.55
							27	8.58	2.39	9.74	2.44	10.11	2.48	10.32	2.51	10.54	2.53	11.04	2.57	11.59	2.61
							29	8.58	2.45	9.52	2.50	9.91	2.54	10.13	2.57	10.36	2.59	10.87	2.63	11.45	2.67
							31	8.58	2.51	9.32	2.56	9.72	2.61	9.95	2.63	10.19	2.65	10.72	2.69	11.31	2.73
							33	8.58	2.58	9.13	2.62	9.55	2.67	9.79	2.69	10.04	2.71	10.58	2.76	11.19	2.80
							35	8.58	2.64	8.96	2.69	9.40	2.73	9.71	2.75	9.90	2.78	10.46	2.82	11.08	2.86
							37	8.58	2.71	8.80	2.76	9.25	2.80	9.50	2.82	9.77	2.84	10.35	2.89	10.99	2.93
							39	8.58	2.78	8.65	2.82	9.12	2.87	9.38	2.89	9.66	2.91	10.25	2.95	10.91	2.99
42	8.58	2.88	8.45	2.93	8.95	2.97	9.22	3.00	9.51	3.02	10.13	3.06	10.82	3.10							
44	8.58	2.96	8.34	3.00	8.86	3.05	9.14	3.07	9.43	3.09	10.07	3.13	10.77	3.17							
46	8.58	3.03	8.24	3.07	8.77	3.12	9.06	3.14	9.36	3.16	10.02	3.20	10.74	3.24							

12. Capacity Table

Combination (Capacity Index)					Combination (Total)	Combination (%)	Outdoor Temperature (°C,DB)	Indoor Temperature(°C, WB)															
								14		16		18		19		20		22		24			
								TC(kW)	PI(kW)	TC(kW)	PI(kW)	TC(kW)	PI(kW)	TC(kW)	PI(kW)	TC(kW)	PI(kW)	TC(kW)	PI(kW)	TC(kW)	PI(kW)		
2000	2000	2000	2500	5000	13500	135%	10	11.24	2.01	11.69	2.05	12.13	2.09	12.36	2.11	12.59	2.14	13.05	2.18	13.52	2.22		
							12	11.05	2.06	11.49	2.10	11.94	2.15	12.17	2.17	12.40	2.19	12.86	2.23	13.33	2.28		
							14	10.85	2.12	11.30	2.16	11.75	2.20	11.97	2.22	12.20	2.25	12.67	2.29	13.14	2.33		
							16	10.66	2.17	11.10	2.21	11.55	2.26	11.78	2.28	12.01	2.30	12.48	2.35	12.95	2.39		
							18	10.47	2.23	10.91	2.27	11.36	2.32	11.59	2.34	11.82	2.36	12.29	2.40	12.76	2.45		
							20	10.27	2.29	10.72	2.33	11.17	2.37	11.40	2.40	11.63	2.42	12.10	2.46	12.57	2.51		
							21	10.18	2.31	10.62	2.36	11.08	2.40	11.30	2.43	11.54	2.45	12.00	2.49	12.47	2.54		
							23	9.98	2.37	10.43	2.42	10.88	2.46	11.11	2.49	11.35	2.51	11.81	2.55	12.29	2.60		
							25	9.79	2.43	10.24	2.48	10.69	2.52	10.92	2.55	11.16	2.57	11.62	2.61	12.10	2.66		
							27	9.60	2.50	10.05	2.54	10.50	2.59	10.73	2.61	10.97	2.63	11.44	2.68	11.91	2.72		
							29	9.41	2.56	9.86	2.60	10.32	2.65	10.55	2.67	10.78	2.69	11.25	2.74	11.72	2.79		
							31	9.22	2.62	9.67	2.67	10.13	2.71	10.36	2.74	10.59	2.76	11.06	2.80	11.54	2.85		
							33	9.03	2.69	9.48	2.73	9.94	2.78	10.17	2.80	10.40	2.82	10.87	2.87	11.35	2.92		
							35	8.84	2.75	9.29	2.80	9.75	2.84	10.00	2.86	10.22	2.89	10.69	2.94	11.17	2.98		
							37	8.65	2.82	9.10	2.86	9.56	2.91	9.79	2.93	10.03	2.96	10.50	3.00	10.98	3.05		
							39	8.46	2.88	8.92	2.93	9.38	2.98	9.61	3.00	9.84	3.02	10.32	3.07	10.80	3.12		
							42	8.18	2.99	8.63	3.03	9.10	3.08	9.33	3.10	9.56	3.13	10.04	3.18	10.52	3.22		
44	7.99	3.06	8.45	3.10	8.91	3.15	9.14	3.18	9.38	3.20	9.86	3.25	10.34	3.29									
46	7.80	3.13	8.26	3.17	8.73	3.22	8.96	3.25	9.20	3.27	9.67	3.32	10.16	3.37									
2000	2000	2000	2500	6800	15300	153%	10	11.24	1.99	11.69	2.03	12.13	2.07	12.36	2.09	12.59	2.11	13.05	2.15	13.52	2.20		
							12	11.05	2.04	11.49	2.08	11.94	2.12	12.17	2.15	12.40	2.17	12.86	2.21	13.33	2.25		
							14	10.85	2.09	11.30	2.14	11.75	2.18	11.97	2.20	12.20	2.22	12.67	2.26	13.14	2.31		
							16	10.66	2.15	11.10	2.19	11.55	2.23	11.78	2.26	12.01	2.28	12.48	2.32	12.95	2.36		
							18	10.47	2.20	10.91	2.25	11.36	2.29	11.59	2.31	11.82	2.33	12.29	2.38	12.76	2.42		
							20	10.27	2.26	10.72	2.31	11.17	2.35	11.40	2.37	11.63	2.39	12.10	2.44	12.57	2.48		
							21	10.18	2.29	10.62	2.33	11.08	2.38	11.30	2.40	11.54	2.42	12.00	2.47	12.47	2.51		
							23	9.98	2.35	10.43	2.39	10.88	2.44	11.11	2.46	11.35	2.48	11.81	2.53	12.29	2.57		
							25	9.79	2.41	10.24	2.45	10.69	2.50	10.92	2.52	11.16	2.54	11.62	2.59	12.10	2.63		
							27	9.60	2.47	10.05	2.51	10.50	2.56	10.73	2.58	10.97	2.60	11.44	2.65	11.91	2.69		
							29	9.41	2.53	9.86	2.58	10.32	2.62	10.55	2.64	10.78	2.67	11.25	2.71	11.72	2.76		
							31	9.22	2.59	9.67	2.64	10.13	2.68	10.36	2.71	10.59	2.73	11.06	2.77	11.54	2.82		
							33	9.03	2.66	9.48	2.70	9.94	2.75	10.17	2.77	10.40	2.79	10.87	2.84	11.35	2.88		
							35	8.84	2.72	9.29	2.77	9.75	2.81	10.00	2.83	10.22	2.86	10.69	2.90	11.17	2.95		
							37	8.65	2.79	9.10	2.83	9.56	2.88	9.79	2.90	10.03	2.93	10.50	2.97	10.98	3.02		
							39	8.46	2.85	8.92	2.90	9.38	2.95	9.61	2.97	9.84	2.99	10.32	3.04	10.80	3.09		
							42	8.18	2.96	8.63	3.00	9.10	3.05	9.33	3.07	9.56	3.10	10.04	3.14	10.52	3.19		
44	7.99	3.02	8.45	3.07	8.91	3.12	9.14	3.14	9.38	3.17	9.86	3.21	10.34	3.26									
46	7.80	3.09	8.26	3.14	8.73	3.19	8.96	3.21	9.20	3.24	9.67	3.28	10.16	3.33									

12. Capacity Table

Combination (Capacity Index)					Combination (Total)	Combination (%)	Outdoor Temperature (°C, DB)	Indoor Temperature(°C, WB)													
								14		16		18		19		20		22		24	
								TC(kW)	PI(kW)	TC(kW)	PI(kW)	TC(kW)	PI(kW)	TC(kW)	PI(kW)	TC(kW)	PI(kW)	TC(kW)	PI(kW)	TC(kW)	PI(kW)
2000	2000	2000	3500	3500	13000	130%	10	11.24	1.96	11.69	2.01	12.13	2.05	12.36	2.07	12.59	2.09	13.05	2.13	13.52	2.17
							12	11.05	2.02	11.49	2.06	11.94	2.10	12.17	2.12	12.40	2.14	12.86	2.19	13.33	2.23
							14	10.85	2.07	11.30	2.11	11.75	2.16	11.97	2.18	12.20	2.20	12.67	2.24	13.14	2.28
							16	10.66	2.13	11.10	2.17	11.55	2.21	11.78	2.23	12.01	2.25	12.48	2.30	12.95	2.34
							18	10.47	2.18	10.91	2.22	11.36	2.27	11.59	2.29	11.82	2.31	12.29	2.35	12.76	2.40
							20	10.27	2.24	10.72	2.28	11.17	2.32	11.40	2.35	11.63	2.37	12.10	2.41	12.57	2.45
							21	10.18	2.27	10.62	2.31	11.08	2.35	11.30	2.37	11.54	2.40	12.00	2.44	12.47	2.48
							23	9.98	2.32	10.43	2.37	10.88	2.41	11.11	2.43	11.35	2.46	11.81	2.50	12.29	2.54
							25	9.79	2.38	10.24	2.43	10.69	2.47	10.92	2.49	11.16	2.51	11.62	2.56	12.10	2.60
							27	9.60	2.44	10.05	2.49	10.50	2.53	10.73	2.55	10.97	2.58	11.44	2.62	11.91	2.66
							29	9.41	2.50	9.86	2.55	10.32	2.59	10.55	2.62	10.78	2.64	11.25	2.68	11.72	2.73
							31	9.22	2.57	9.67	2.61	10.13	2.66	10.36	2.68	10.59	2.70	11.06	2.75	11.54	2.79
							33	9.03	2.63	9.48	2.67	9.94	2.72	10.17	2.74	10.40	2.76	10.87	2.81	11.35	2.85
							35	8.84	2.69	9.29	2.74	9.75	2.78	10.00	2.80	10.22	2.83	10.69	2.87	11.17	2.92
							37	8.65	2.76	9.10	2.80	9.56	2.85	9.79	2.87	10.03	2.89	10.50	2.94	10.98	2.99
							39	8.46	2.82	8.92	2.87	9.38	2.92	9.61	2.94	9.84	2.96	10.32	3.01	10.80	3.05
42	8.18	2.92	8.63	2.97	9.10	3.02	9.33	3.04	9.56	3.06	10.04	3.11	10.52	3.16							
44	7.99	2.99	8.45	3.04	8.91	3.09	9.14	3.11	9.38	3.13	9.86	3.18	10.34	3.23							
46	7.80	3.06	8.26	3.11	8.73	3.16	8.96	3.18	9.20	3.20	9.67	3.25	10.16	3.30							
2000	2000	2000	3500	5000	14500	145%	10	11.24	1.98	11.69	2.02	12.13	2.06	12.36	2.08	12.59	2.11	13.05	2.15	13.52	2.19
							12	11.05	2.03	11.49	2.07	11.94	2.12	12.17	2.14	12.40	2.16	12.86	2.20	13.33	2.24
							14	10.85	2.09	11.30	2.13	11.75	2.17	11.97	2.19	12.20	2.21	12.67	2.26	13.14	2.30
							16	10.66	2.14	11.10	2.18	11.55	2.23	11.78	2.25	12.01	2.27	12.48	2.31	12.95	2.36
							18	10.47	2.20	10.91	2.24	11.36	2.28	11.59	2.30	11.82	2.33	12.29	2.37	12.76	2.41
							20	10.27	2.25	10.72	2.30	11.17	2.34	11.40	2.36	11.63	2.38	12.10	2.43	12.57	2.47
							21	10.18	2.28	10.62	2.33	11.08	2.37	11.30	2.39	11.54	2.41	12.00	2.46	12.47	2.50
							23	9.98	2.34	10.43	2.38	10.88	2.43	11.11	2.45	11.35	2.47	11.81	2.52	12.29	2.56
							25	9.79	2.40	10.24	2.44	10.69	2.49	10.92	2.51	11.16	2.53	11.62	2.58	12.10	2.62
							27	9.60	2.46	10.05	2.50	10.50	2.55	10.73	2.57	10.97	2.59	11.44	2.64	11.91	2.68
							29	9.41	2.52	9.86	2.57	10.32	2.61	10.55	2.63	10.78	2.66	11.25	2.70	11.72	2.75
							31	9.22	2.58	9.67	2.63	10.13	2.67	10.36	2.70	10.59	2.72	11.06	2.76	11.54	2.81
							33	9.03	2.65	9.48	2.69	9.94	2.74	10.17	2.76	10.40	2.78	10.87	2.83	11.35	2.87
							35	8.84	2.71	9.29	2.76	9.75	2.80	10.00	2.82	10.22	2.85	10.69	2.89	11.17	2.94
							37	8.65	2.78	9.10	2.82	9.56	2.87	9.79	2.89	10.03	2.92	10.50	2.96	10.98	3.01
							39	8.46	2.84	8.92	2.89	9.38	2.94	9.61	2.96	9.84	2.98	10.32	3.03	10.80	3.07
42	8.18	2.94	8.63	2.99	9.10	3.04	9.33	3.06	9.56	3.08	10.04	3.13	10.52	3.18							
44	7.99	3.01	8.45	3.06	8.91	3.11	9.14	3.13	9.38	3.15	9.86	3.20	10.34	3.25							
46	7.80	3.08	8.26	3.13	8.73	3.18	8.96	3.20	9.20	3.22	9.67	3.27	10.16	3.32							

12. Capacity Table

Combination (Capacity Index)					Combination (Total)	Combination (%)	Outdoor Temperature (°C,DB)	Indoor Temperature(°C, WB)													
								14		16		18		19		20		22		24	
								TC(kW)	PI(kW)	TC(kW)	PI(kW)	TC(kW)	PI(kW)	TC(kW)	PI(kW)	TC(kW)	PI(kW)	TC(kW)	PI(kW)	TC(kW)	PI(kW)
2000	2000	2000	3500	6800	16300	163%	10	11.24	2.02	11.69	2.06	12.13	2.11	12.36	2.13	12.59	2.15	13.05	2.19	13.52	2.24
							12	11.05	2.07	11.49	2.12	11.94	2.16	12.17	2.18	12.40	2.20	12.86	2.25	13.33	2.29
							14	10.85	2.13	11.30	2.17	11.75	2.22	11.97	2.24	12.20	2.26	12.67	2.30	13.14	2.35
							16	10.66	2.19	11.10	2.23	11.55	2.27	11.78	2.30	12.01	2.32	12.48	2.36	12.95	2.41
							18	10.47	2.24	10.91	2.29	11.36	2.33	11.59	2.35	11.82	2.38	12.29	2.42	12.76	2.46
							20	10.27	2.30	10.72	2.35	11.17	2.39	11.40	2.41	11.63	2.43	12.10	2.48	12.57	2.52
							21	10.18	2.33	10.62	2.38	11.08	2.42	11.30	2.44	11.54	2.46	12.00	2.51	12.47	2.55
							23	9.98	2.39	10.43	2.44	10.88	2.48	11.11	2.50	11.35	2.53	11.81	2.57	12.29	2.62
							25	9.79	2.45	10.24	2.50	10.69	2.54	10.92	2.56	11.16	2.59	11.62	2.63	12.10	2.68
							27	9.60	2.51	10.05	2.56	10.50	2.60	10.73	2.63	10.97	2.65	11.44	2.69	11.91	2.74
							29	9.41	2.58	9.86	2.62	10.32	2.67	10.55	2.69	10.78	2.71	11.25	2.76	11.72	2.80
							31	9.22	2.64	9.67	2.69	10.13	2.73	10.36	2.75	10.59	2.78	11.06	2.82	11.54	2.87
							33	9.03	2.70	9.48	2.75	9.94	2.80	10.17	2.82	10.40	2.84	10.87	2.89	11.35	2.94
							35	8.84	2.77	9.29	2.82	9.75	2.86	10.00	2.88	10.22	2.91	10.69	2.96	11.17	3.00
							37	8.65	2.84	9.10	2.88	9.56	2.93	9.79	2.95	10.03	2.98	10.50	3.02	10.98	3.07
							39	8.46	2.90	8.92	2.95	9.38	3.00	9.61	3.02	9.84	3.05	10.32	3.09	10.80	3.14
42	8.18	3.01	8.63	3.06	9.10	3.10	9.33	3.13	9.56	3.15	10.04	3.20	10.52	3.25							
44	7.99	3.08	8.45	3.13	8.91	3.17	9.14	3.20	9.38	3.22	9.86	3.27	10.34	3.32							
46	7.80	3.15	8.26	3.20	8.73	3.25	8.96	3.27	9.20	3.29	9.67	3.34	10.16	3.39							
2000	2000	2000	5000	5000	16000	160%	10	11.24	2.02	11.69	2.06	12.13	2.11	12.36	2.13	12.59	2.15	13.05	2.19	13.52	2.24
							12	11.05	2.07	11.49	2.12	11.94	2.16	12.17	2.18	12.40	2.20	12.86	2.25	13.33	2.29
							14	10.85	2.13	11.30	2.17	11.75	2.22	11.97	2.24	12.20	2.26	12.67	2.30	13.14	2.35
							16	10.66	2.19	11.10	2.23	11.55	2.27	11.78	2.30	12.01	2.32	12.48	2.36	12.95	2.41
							18	10.47	2.24	10.91	2.29	11.36	2.33	11.59	2.35	11.82	2.38	12.29	2.42	12.76	2.46
							20	10.27	2.30	10.72	2.35	11.17	2.39	11.40	2.41	11.63	2.43	12.10	2.48	12.57	2.52
							21	10.18	2.33	10.62	2.38	11.08	2.42	11.30	2.44	11.54	2.46	12.00	2.51	12.47	2.55
							23	9.98	2.39	10.43	2.44	10.88	2.48	11.11	2.50	11.35	2.53	11.81	2.57	12.29	2.62
							25	9.79	2.45	10.24	2.50	10.69	2.54	10.92	2.56	11.16	2.59	11.62	2.63	12.10	2.68
							27	9.60	2.51	10.05	2.56	10.50	2.60	10.73	2.63	10.97	2.65	11.44	2.69	11.91	2.74
							29	9.41	2.58	9.86	2.62	10.32	2.67	10.55	2.69	10.78	2.71	11.25	2.76	11.72	2.80
							31	9.22	2.64	9.67	2.69	10.13	2.73	10.36	2.75	10.59	2.78	11.06	2.82	11.54	2.87
							33	9.03	2.70	9.48	2.75	9.94	2.80	10.17	2.82	10.40	2.84	10.87	2.89	11.35	2.94
							35	8.84	2.77	9.29	2.82	9.75	2.86	10.00	2.88	10.22	2.91	10.69	2.96	11.17	3.00
							37	8.65	2.84	9.10	2.88	9.56	2.93	9.79	2.95	10.03	2.98	10.50	3.02	10.98	3.07
							39	8.46	2.90	8.92	2.95	9.38	3.00	9.61	3.02	9.84	3.05	10.32	3.09	10.80	3.14
42	8.18	3.01	8.63	3.06	9.10	3.10	9.33	3.13	9.56	3.15	10.04	3.20	10.52	3.25							
44	7.99	3.08	8.45	3.13	8.91	3.17	9.14	3.20	9.38	3.22	9.86	3.27	10.34	3.32							
46	7.80	3.15	8.26	3.20	8.73	3.25	8.96	3.27	9.20	3.29	9.67	3.34	10.16	3.39							

12. Capacity Table

Combination (Capacity Index)					Combination (Total)	Combination (%)	Outdoor Temperature (°C, DB)	Indoor Temperature(°C, WB)													
								14		16		18		19		20		22		24	
								TC(kW)	PI(kW)	TC(kW)	PI(kW)	TC(kW)	PI(kW)	TC(kW)	PI(kW)	TC(kW)	PI(kW)	TC(kW)	PI(kW)	TC(kW)	PI(kW)
2000	2000	2500	2500	2500	11500	115%	10	8.54	1.92	12.04	1.97	12.27	2.02	12.41	2.04	12.56	2.07	12.91	2.11	13.32	2.15
							12	8.54	1.97	11.71	2.02	11.96	2.07	12.10	2.09	12.27	2.11	12.63	2.16	13.06	2.20
							14	8.54	2.02	11.40	2.07	11.66	2.12	11.82	2.14	11.98	2.16	12.37	2.21	12.82	2.25
							16	8.54	2.07	11.10	2.12	11.38	2.17	11.54	2.19	11.72	2.21	12.12	2.26	12.58	2.30
							18	8.54	2.13	10.81	2.17	11.11	2.22	11.28	2.24	11.46	2.27	11.88	2.31	12.36	2.35
							20	8.54	2.18	10.54	2.23	10.85	2.28	11.03	2.30	11.22	2.32	11.66	2.36	12.15	2.40
							21	8.54	2.21	10.41	2.26	10.73	2.30	10.91	2.32	11.11	2.35	11.55	2.39	12.05	2.43
							23	8.54	2.27	10.15	2.31	10.49	2.36	10.68	2.38	10.89	2.40	11.35	2.45	11.87	2.49
							25	8.54	2.32	9.91	2.37	10.27	2.42	10.46	2.44	10.68	2.46	11.16	2.50	11.69	2.54
							27	8.54	2.38	9.69	2.43	10.05	2.47	10.26	2.50	10.49	2.52	10.98	2.56	11.53	2.60
							29	8.54	2.44	9.47	2.49	9.86	2.54	10.07	2.56	10.31	2.58	10.82	2.62	11.39	2.66
							31	8.54	2.51	9.27	2.55	9.67	2.60	9.90	2.62	10.14	2.64	10.67	2.68	11.25	2.72
							33	8.54	2.57	9.08	2.62	9.50	2.66	9.74	2.68	9.99	2.70	10.53	2.75	11.13	2.79
							35	8.54	2.63	8.91	2.68	9.35	2.72	9.66	2.74	9.85	2.77	10.41	2.81	11.03	2.85
							37	8.54	2.70	8.75	2.75	9.20	2.79	9.45	2.81	9.72	2.83	10.30	2.88	10.93	2.91
							39	8.54	2.77	8.61	2.81	9.08	2.86	9.33	2.88	9.61	2.90	10.20	2.94	10.85	2.98
42	8.54	2.87	8.41	2.92	8.91	2.96	9.18	2.98	9.46	3.01	10.08	3.05	10.76	3.09							
44	8.54	2.94	8.30	2.99	8.81	3.03	9.09	3.06	9.38	3.08	10.02	3.12	10.71	3.16							
46	8.54	3.02	8.20	3.06	8.73	3.11	9.01	3.13	9.32	3.15	9.97	3.19	10.68	3.23							
2000	2000	2500	2500	3500	12500	125%	10	8.84	1.97	12.47	2.02	12.70	2.06	12.84	2.09	13.00	2.11	13.37	2.16	13.79	2.20
							12	8.84	2.02	12.13	2.07	12.38	2.11	12.53	2.14	12.70	2.16	13.08	2.20	13.52	2.25
							14	8.84	2.07	11.80	2.12	12.07	2.16	12.23	2.19	12.41	2.21	12.80	2.25	13.27	2.30
							16	8.84	2.12	11.49	2.17	11.78	2.22	11.95	2.24	12.13	2.26	12.54	2.31	13.02	2.35
							18	8.84	2.17	11.19	2.22	11.50	2.27	11.67	2.29	11.87	2.32	12.30	2.36	12.80	2.40
							20	8.84	2.23	10.91	2.28	11.23	2.32	11.42	2.35	11.62	2.37	12.07	2.41	12.58	2.46
							21	8.84	2.26	10.77	2.31	11.10	2.35	11.29	2.38	11.50	2.40	11.96	2.44	12.48	2.48
							23	8.84	2.31	10.51	2.36	10.86	2.41	11.06	2.43	11.27	2.46	11.75	2.50	12.29	2.54
							25	8.84	2.37	10.26	2.42	10.63	2.47	10.83	2.49	11.06	2.51	11.55	2.56	12.11	2.60
							27	8.84	2.43	10.03	2.48	10.41	2.53	10.62	2.55	10.86	2.57	11.37	2.62	11.94	2.66
							29	8.84	2.50	9.81	2.54	10.20	2.59	10.43	2.61	10.67	2.64	11.20	2.68	11.79	2.72
							31	8.84	2.56	9.60	2.61	10.02	2.65	10.25	2.68	10.50	2.70	11.04	2.74	11.65	2.78
							33	8.84	2.62	9.40	2.67	9.84	2.72	10.08	2.74	10.34	2.76	10.90	2.81	11.53	2.85
							35	8.84	2.69	9.23	2.74	9.68	2.78	10.00	2.80	10.19	2.83	10.77	2.87	11.41	2.91
							37	8.84	2.76	9.06	2.81	9.53	2.85	9.79	2.87	10.06	2.90	10.66	2.94	11.32	2.98
							39	8.84	2.83	8.91	2.88	9.39	2.92	9.66	2.94	9.94	2.96	10.56	3.01	11.24	3.05
42	8.84	2.94	8.71	2.98	9.22	3.03	9.50	3.05	9.80	3.07	10.43	3.11	11.14	3.15							
44	8.84	3.01	8.59	3.06	9.12	3.10	9.41	3.12	9.71	3.14	10.37	3.19	11.09	3.23							
46	8.84	3.08	8.49	3.13	9.03	3.17	9.33	3.20	9.64	3.22	10.32	3.26	11.06	3.30							

12. Capacity Table

Combination (Capacity Index)					Combination (Total)	Combination (%)	Outdoor Temperature (°C,DB)	Indoor Temperature(°C, WB)													
								14		16		18		19		20		22		24	
								TC(kW)	PI(kW)	TC(kW)	PI(kW)	TC(kW)	PI(kW)	TC(kW)	PI(kW)	TC(kW)	PI(kW)	TC(kW)	PI(kW)	TC(kW)	PI(kW)
2000	2000	2500	2500	5000	14000	140%	10	11.24	2.01	11.69	2.05	12.13	2.09	12.36	2.11	12.59	2.14	13.05	2.18	13.52	2.22
							12	11.05	2.06	11.49	2.10	11.94	2.15	12.17	2.17	12.40	2.19	12.86	2.23	13.33	2.28
							14	10.85	2.12	11.30	2.16	11.75	2.20	11.97	2.22	12.20	2.25	12.67	2.29	13.14	2.33
							16	10.66	2.17	11.10	2.21	11.55	2.26	11.78	2.28	12.01	2.30	12.48	2.35	12.95	2.39
							18	10.47	2.23	10.91	2.27	11.36	2.32	11.59	2.34	11.82	2.36	12.29	2.40	12.76	2.45
							20	10.27	2.29	10.72	2.33	11.17	2.37	11.40	2.40	11.63	2.42	12.10	2.46	12.57	2.51
							21	10.18	2.31	10.62	2.36	11.08	2.40	11.30	2.43	11.54	2.45	12.00	2.49	12.47	2.54
							23	9.98	2.37	10.43	2.42	10.88	2.46	11.11	2.49	11.35	2.51	11.81	2.55	12.29	2.60
							25	9.79	2.43	10.24	2.48	10.69	2.52	10.92	2.55	11.16	2.57	11.62	2.61	12.10	2.66
							27	9.60	2.50	10.05	2.54	10.50	2.59	10.73	2.61	10.97	2.63	11.44	2.68	11.91	2.72
							29	9.41	2.56	9.86	2.60	10.32	2.65	10.55	2.67	10.78	2.69	11.25	2.74	11.72	2.79
							31	9.22	2.62	9.67	2.67	10.13	2.71	10.36	2.74	10.59	2.76	11.06	2.80	11.54	2.85
							33	9.03	2.69	9.48	2.73	9.94	2.78	10.17	2.80	10.40	2.82	10.87	2.87	11.35	2.92
							35	8.84	2.75	9.29	2.80	9.75	2.84	10.00	2.86	10.22	2.89	10.69	2.94	11.17	2.98
							37	8.65	2.82	9.10	2.86	9.56	2.91	9.79	2.93	10.03	2.96	10.50	3.00	10.98	3.05
							39	8.46	2.88	8.92	2.93	9.38	2.98	9.61	3.00	9.84	3.02	10.32	3.07	10.80	3.12
42	8.18	2.99	8.63	3.03	9.10	3.08	9.33	3.10	9.56	3.13	10.04	3.18	10.52	3.22							
44	7.99	3.06	8.45	3.10	8.91	3.15	9.14	3.18	9.38	3.20	9.86	3.25	10.34	3.29							
46	7.80	3.13	8.26	3.17	8.73	3.22	8.96	3.25	9.20	3.27	9.67	3.32	10.16	3.37							
2000	2000	2500	2500	6800	15800	158%	10	11.24	2.02	11.69	2.06	12.13	2.11	12.36	2.13	12.59	2.15	13.05	2.19	13.52	2.24
							12	11.05	2.07	11.49	2.12	11.94	2.16	12.17	2.18	12.40	2.20	12.86	2.25	13.33	2.29
							14	10.85	2.13	11.30	2.17	11.75	2.22	11.97	2.24	12.20	2.26	12.67	2.30	13.14	2.35
							16	10.66	2.19	11.10	2.23	11.55	2.27	11.78	2.30	12.01	2.32	12.48	2.36	12.95	2.41
							18	10.47	2.24	10.91	2.29	11.36	2.33	11.59	2.35	11.82	2.38	12.29	2.42	12.76	2.46
							20	10.27	2.30	10.72	2.35	11.17	2.39	11.40	2.41	11.63	2.43	12.10	2.48	12.57	2.52
							21	10.18	2.33	10.62	2.38	11.08	2.42	11.30	2.44	11.54	2.46	12.00	2.51	12.47	2.55
							23	9.98	2.39	10.43	2.44	10.88	2.48	11.11	2.50	11.35	2.53	11.81	2.57	12.29	2.62
							25	9.79	2.45	10.24	2.50	10.69	2.54	10.92	2.56	11.16	2.59	11.62	2.63	12.10	2.68
							27	9.60	2.51	10.05	2.56	10.50	2.60	10.73	2.63	10.97	2.65	11.44	2.69	11.91	2.74
							29	9.41	2.58	9.86	2.62	10.32	2.67	10.55	2.69	10.78	2.71	11.25	2.76	11.72	2.80
							31	9.22	2.64	9.67	2.69	10.13	2.73	10.36	2.75	10.59	2.78	11.06	2.82	11.54	2.87
							33	9.03	2.70	9.48	2.75	9.94	2.80	10.17	2.82	10.40	2.84	10.87	2.89	11.35	2.94
							35	8.84	2.77	9.29	2.82	9.75	2.86	10.00	2.88	10.22	2.91	10.69	2.96	11.17	3.00
							37	8.65	2.84	9.10	2.88	9.56	2.93	9.79	2.95	10.03	2.98	10.50	3.02	10.98	3.07
							39	8.46	2.90	8.92	2.95	9.38	3.00	9.61	3.02	9.84	3.05	10.32	3.09	10.80	3.14
42	8.18	3.01	8.63	3.06	9.10	3.10	9.33	3.13	9.56	3.15	10.04	3.20	10.52	3.25							
44	7.99	3.08	8.45	3.13	8.91	3.17	9.14	3.20	9.38	3.22	9.86	3.27	10.34	3.32							
46	7.80	3.15	8.26	3.20	8.73	3.25	8.96	3.27	9.20	3.29	9.67	3.34	10.16	3.39							

12. Capacity Table

Combination (Capacity Index)					Combination (Total)	Combination (%)	Outdoor Temperature (°C, DB)	Indoor Temperature(°C, WB)													
								14		16		18		19		20		22		24	
								TC(kW)	PI(kW)	TC(kW)	PI(kW)	TC(kW)	PI(kW)	TC(kW)	PI(kW)	TC(kW)	PI(kW)	TC(kW)	PI(kW)	TC(kW)	PI(kW)
2000	2000	2500	3500	3500	13500	135%	10	11.24	2.00	11.69	2.04	12.13	2.08	12.36	2.11	12.59	2.13	13.05	2.17	13.52	2.21
							12	11.05	2.05	11.49	2.10	11.94	2.14	12.17	2.16	12.40	2.18	12.86	2.22	13.33	2.27
							14	10.85	2.11	11.30	2.15	11.75	2.19	11.97	2.22	12.20	2.24	12.67	2.28	13.14	2.32
							16	10.66	2.16	11.10	2.21	11.55	2.25	11.78	2.27	12.01	2.29	12.48	2.34	12.95	2.38
							18	10.47	2.22	10.91	2.26	11.36	2.31	11.59	2.33	11.82	2.35	12.29	2.39	12.76	2.44
							20	10.27	2.28	10.72	2.32	11.17	2.37	11.40	2.39	11.63	2.41	12.10	2.45	12.57	2.50
							21	10.18	2.31	10.62	2.35	11.08	2.39	11.30	2.42	11.54	2.44	12.00	2.48	12.47	2.53
							23	9.98	2.37	10.43	2.41	10.88	2.45	11.11	2.48	11.35	2.50	11.81	2.54	12.29	2.59
							25	9.79	2.43	10.24	2.47	10.69	2.52	10.92	2.54	11.16	2.56	11.62	2.60	12.10	2.65
							27	9.60	2.49	10.05	2.53	10.50	2.58	10.73	2.60	10.97	2.62	11.44	2.67	11.91	2.71
							29	9.41	2.55	9.86	2.59	10.32	2.64	10.55	2.66	10.78	2.68	11.25	2.73	11.72	2.78
							31	9.22	2.61	9.67	2.66	10.13	2.70	10.36	2.73	10.59	2.75	11.06	2.79	11.54	2.84
							33	9.03	2.68	9.48	2.72	9.94	2.77	10.17	2.79	10.40	2.81	10.87	2.86	11.35	2.91
							35	8.84	2.74	9.29	2.79	9.75	2.83	10.00	2.85	10.22	2.88	10.69	2.93	11.17	2.97
							37	8.65	2.81	9.10	2.85	9.56	2.90	9.79	2.92	10.03	2.95	10.50	2.99	10.98	3.04
							39	8.46	2.87	8.92	2.92	9.38	2.97	9.61	2.99	9.84	3.01	10.32	3.06	10.80	3.11
42	8.18	2.98	8.63	3.02	9.10	3.07	9.33	3.09	9.56	3.12	10.04	3.16	10.52	3.21							
44	7.99	3.05	8.45	3.09	8.91	3.14	9.14	3.16	9.38	3.19	9.86	3.24	10.34	3.28							
46	7.80	3.12	8.26	3.16	8.73	3.21	8.96	3.24	9.20	3.26	9.67	3.31	10.16	3.35							
2000	2000	2500	3500	5000	15000	150%	10	11.24	1.98	11.69	2.02	12.13	2.06	12.36	2.08	12.59	2.11	13.05	2.15	13.52	2.19
							12	11.05	2.03	11.49	2.07	11.94	2.12	12.17	2.14	12.40	2.16	12.86	2.20	13.33	2.24
							14	10.85	2.09	11.30	2.13	11.75	2.17	11.97	2.19	12.20	2.21	12.67	2.26	13.14	2.30
							16	10.66	2.14	11.10	2.18	11.55	2.23	11.78	2.25	12.01	2.27	12.48	2.31	12.95	2.36
							18	10.47	2.20	10.91	2.24	11.36	2.28	11.59	2.30	11.82	2.33	12.29	2.37	12.76	2.41
							20	10.27	2.25	10.72	2.30	11.17	2.34	11.40	2.36	11.63	2.38	12.10	2.43	12.57	2.47
							21	10.18	2.28	10.62	2.33	11.08	2.37	11.30	2.39	11.54	2.41	12.00	2.46	12.47	2.50
							23	9.98	2.34	10.43	2.38	10.88	2.43	11.11	2.45	11.35	2.47	11.81	2.52	12.29	2.56
							25	9.79	2.40	10.24	2.44	10.69	2.49	10.92	2.51	11.16	2.53	11.62	2.58	12.10	2.62
							27	9.60	2.46	10.05	2.50	10.50	2.55	10.73	2.57	10.97	2.59	11.44	2.64	11.91	2.68
							29	9.41	2.52	9.86	2.57	10.32	2.61	10.55	2.63	10.78	2.66	11.25	2.70	11.72	2.75
							31	9.22	2.58	9.67	2.63	10.13	2.67	10.36	2.70	10.59	2.72	11.06	2.76	11.54	2.81
							33	9.03	2.65	9.48	2.69	9.94	2.74	10.17	2.76	10.40	2.78	10.87	2.83	11.35	2.87
							35	8.84	2.71	9.29	2.76	9.75	2.80	10.00	2.82	10.22	2.85	10.69	2.89	11.17	2.94
							37	8.65	2.78	9.10	2.82	9.56	2.87	9.79	2.89	10.03	2.92	10.50	2.96	10.98	3.01
							39	8.46	2.84	8.92	2.89	9.38	2.94	9.61	2.96	9.84	2.98	10.32	3.03	10.80	3.07
42	8.18	2.94	8.63	2.99	9.10	3.04	9.33	3.06	9.56	3.08	10.04	3.13	10.52	3.18							
44	7.99	3.01	8.45	3.06	8.91	3.11	9.14	3.13	9.38	3.15	9.86	3.20	10.34	3.25							
46	7.80	3.08	8.26	3.13	8.73	3.18	8.96	3.20	9.20	3.22	9.67	3.27	10.16	3.32							

12. Capacity Table

Combination (Capacity Index)					Combination (Total)	Combination (%)	Outdoor Temperature (°C,DB)	Indoor Temperature(°C, WB)													
								14		16		18		19		20		22		24	
								TC(kW)	PI(kW)	TC(kW)	PI(kW)	TC(kW)	PI(kW)	TC(kW)	PI(kW)	TC(kW)	PI(kW)	TC(kW)	PI(kW)	TC(kW)	PI(kW)
2000	2000	2500	3500	6800	16800	168%	10	11.24	2.06	11.69	2.10	12.13	2.14	12.36	2.17	12.59	2.19	13.05	2.23	13.52	2.27
							12	11.05	2.11	11.49	2.15	11.94	2.20	12.17	2.22	12.40	2.24	12.86	2.29	13.33	2.33
							14	10.85	2.17	11.30	2.21	11.75	2.26	11.97	2.28	12.20	2.30	12.67	2.34	13.14	2.39
							16	10.66	2.22	11.10	2.27	11.55	2.31	11.78	2.34	12.01	2.36	12.48	2.40	12.95	2.45
							18	10.47	2.28	10.91	2.33	11.36	2.37	11.59	2.39	11.82	2.42	12.29	2.46	12.76	2.51
							20	10.27	2.34	10.72	2.39	11.17	2.43	11.40	2.45	11.63	2.48	12.10	2.52	12.57	2.57
							21	10.18	2.37	10.62	2.42	11.08	2.46	11.30	2.48	11.54	2.51	12.00	2.55	12.47	2.60
							23	9.98	2.43	10.43	2.48	10.88	2.52	11.11	2.55	11.35	2.57	11.81	2.61	12.29	2.66
							25	9.79	2.49	10.24	2.54	10.69	2.59	10.92	2.61	11.16	2.63	11.62	2.68	12.10	2.72
							27	9.60	2.56	10.05	2.60	10.50	2.65	10.73	2.67	10.97	2.70	11.44	2.74	11.91	2.79
							29	9.41	2.62	9.86	2.67	10.32	2.71	10.55	2.74	10.78	2.76	11.25	2.81	11.72	2.85
							31	9.22	2.68	9.67	2.73	10.13	2.78	10.36	2.80	10.59	2.83	11.06	2.87	11.54	2.92
							33	9.03	2.75	9.48	2.80	9.94	2.85	10.17	2.87	10.40	2.89	10.87	2.94	11.35	2.99
							35	8.84	2.82	9.29	2.87	9.75	2.91	10.00	2.93	10.22	2.96	10.69	3.01	11.17	3.06
							37	8.65	2.89	9.10	2.93	9.56	2.98	9.79	3.00	10.03	3.03	10.50	3.08	10.98	3.12
							39	8.46	2.95	8.92	3.00	9.38	3.05	9.61	3.07	9.84	3.10	10.32	3.15	10.80	3.19
42	8.18	3.06	8.63	3.11	9.10	3.16	9.33	3.18	9.56	3.21	10.04	3.25	10.52	3.30							
44	7.99	3.13	8.45	3.18	8.91	3.23	9.14	3.25	9.38	3.28	9.86	3.33	10.34	3.37							
46	7.80	3.20	8.26	3.25	8.73	3.30	8.96	3.33	9.20	3.35	9.67	3.40	10.16	3.45							
2000	2000	2500	5000	5000	16500	165%	10	11.24	2.06	11.69	2.10	12.13	2.14	12.36	2.17	12.59	2.19	13.05	2.23	13.52	2.27
							12	11.05	2.11	11.49	2.15	11.94	2.20	12.17	2.22	12.40	2.24	12.86	2.29	13.33	2.33
							14	10.85	2.17	11.30	2.21	11.75	2.26	11.97	2.28	12.20	2.30	12.67	2.34	13.14	2.39
							16	10.66	2.22	11.10	2.27	11.55	2.31	11.78	2.34	12.01	2.36	12.48	2.40	12.95	2.45
							18	10.47	2.28	10.91	2.33	11.36	2.37	11.59	2.39	11.82	2.42	12.29	2.46	12.76	2.51
							20	10.27	2.34	10.72	2.39	11.17	2.43	11.40	2.45	11.63	2.48	12.10	2.52	12.57	2.57
							21	10.18	2.37	10.62	2.42	11.08	2.46	11.30	2.48	11.54	2.51	12.00	2.55	12.47	2.60
							23	9.98	2.43	10.43	2.48	10.88	2.52	11.11	2.55	11.35	2.57	11.81	2.61	12.29	2.66
							25	9.79	2.49	10.24	2.54	10.69	2.59	10.92	2.61	11.16	2.63	11.62	2.68	12.10	2.72
							27	9.60	2.56	10.05	2.60	10.50	2.65	10.73	2.67	10.97	2.70	11.44	2.74	11.91	2.79
							29	9.41	2.62	9.86	2.67	10.32	2.71	10.55	2.74	10.78	2.76	11.25	2.81	11.72	2.85
							31	9.22	2.68	9.67	2.73	10.13	2.78	10.36	2.80	10.59	2.83	11.06	2.87	11.54	2.92
							33	9.03	2.75	9.48	2.80	9.94	2.85	10.17	2.87	10.40	2.89	10.87	2.94	11.35	2.99
							35	8.84	2.82	9.29	2.87	9.75	2.91	10.00	2.93	10.22	2.96	10.69	3.01	11.17	3.06
							37	8.65	2.89	9.10	2.93	9.56	2.98	9.79	3.00	10.03	3.03	10.50	3.08	10.98	3.12
							39	8.46	2.95	8.92	3.00	9.38	3.05	9.61	3.07	9.84	3.10	10.32	3.15	10.80	3.19
42	8.18	3.06	8.63	3.11	9.10	3.16	9.33	3.18	9.56	3.21	10.04	3.25	10.52	3.30							
44	7.99	3.13	8.45	3.18	8.91	3.23	9.14	3.25	9.38	3.28	9.86	3.33	10.34	3.37							
46	7.80	3.20	8.26	3.25	8.73	3.30	8.96	3.33	9.20	3.35	9.67	3.40	10.16	3.45							

12. Capacity Table

Combination (Capacity Index)					Combination (Total)	Combination (%)	Outdoor Temperature (°C, DB)	Indoor Temperature(°C, WB)													
								14		16		18		19		20		22		24	
								TC(kW)	PI(kW)	TC(kW)	PI(kW)	TC(kW)	PI(kW)	TC(kW)	PI(kW)	TC(kW)	PI(kW)	TC(kW)	PI(kW)	TC(kW)	PI(kW)
2000	2000	3500	3500	3500	14500	145%	10	11.24	1.97	11.69	2.01	12.13	2.06	12.36	2.08	12.59	2.10	13.05	2.14	13.52	2.18
							12	11.05	2.02	11.49	2.07	11.94	2.11	12.17	2.13	12.40	2.15	12.86	2.19	13.33	2.24
							14	10.85	2.08	11.30	2.12	11.75	2.16	11.97	2.18	12.20	2.21	12.67	2.25	13.14	2.29
							16	10.66	2.13	11.10	2.18	11.55	2.22	11.78	2.24	12.01	2.26	12.48	2.30	12.95	2.35
							18	10.47	2.19	10.91	2.23	11.36	2.27	11.59	2.30	11.82	2.32	12.29	2.36	12.76	2.40
							20	10.27	2.25	10.72	2.29	11.17	2.33	11.40	2.35	11.63	2.38	12.10	2.42	12.57	2.46
							21	10.18	2.27	10.62	2.32	11.08	2.36	11.30	2.38	11.54	2.40	12.00	2.45	12.47	2.49
							23	9.98	2.33	10.43	2.38	10.88	2.42	11.11	2.44	11.35	2.46	11.81	2.51	12.29	2.55
							25	9.79	2.39	10.24	2.44	10.69	2.48	10.92	2.50	11.16	2.52	11.62	2.57	12.10	2.61
							27	9.60	2.45	10.05	2.50	10.50	2.54	10.73	2.56	10.97	2.58	11.44	2.63	11.91	2.67
							29	9.41	2.51	9.86	2.56	10.32	2.60	10.55	2.62	10.78	2.65	11.25	2.69	11.72	2.74
							31	9.22	2.57	9.67	2.62	10.13	2.66	10.36	2.69	10.59	2.71	11.06	2.75	11.54	2.80
							33	9.03	2.64	9.48	2.68	9.94	2.73	10.17	2.75	10.40	2.77	10.87	2.82	11.35	2.86
							35	8.84	2.70	9.29	2.75	9.75	2.79	10.00	2.81	10.22	2.84	10.69	2.88	11.17	2.93
							37	8.65	2.77	9.10	2.81	9.56	2.86	9.79	2.88	10.03	2.90	10.50	2.95	10.98	3.00
							39	8.46	2.83	8.92	2.88	9.38	2.93	9.61	2.95	9.84	2.97	10.32	3.02	10.80	3.06
42	8.18	2.93	8.63	2.98	9.10	3.03	9.33	3.05	9.56	3.07	10.04	3.12	10.52	3.17							
44	7.99	3.00	8.45	3.05	8.91	3.10	9.14	3.12	9.38	3.14	9.86	3.19	10.34	3.24							
46	7.80	3.07	8.26	3.12	8.73	3.17	8.96	3.19	9.20	3.21	9.67	3.26	10.16	3.31							
2000	2000	3500	3500	5000	16000	160%	10	11.24	2.01	11.69	2.06	12.13	2.10	12.36	2.12	12.59	2.14	13.05	2.19	13.52	2.23
							12	11.05	2.07	11.49	2.11	11.94	2.15	12.17	2.18	12.40	2.20	12.86	2.24	13.33	2.28
							14	10.85	2.12	11.30	2.17	11.75	2.21	11.97	2.23	12.20	2.25	12.67	2.30	13.14	2.34
							16	10.66	2.18	11.10	2.22	11.55	2.27	11.78	2.29	12.01	2.31	12.48	2.35	12.95	2.40
							18	10.47	2.24	10.91	2.28	11.36	2.32	11.59	2.35	11.82	2.37	12.29	2.41	12.76	2.46
							20	10.27	2.29	10.72	2.34	11.17	2.38	11.40	2.40	11.63	2.43	12.10	2.47	12.57	2.52
							21	10.18	2.32	10.62	2.37	11.08	2.41	11.30	2.43	11.54	2.46	12.00	2.50	12.47	2.55
							23	9.98	2.38	10.43	2.43	10.88	2.47	11.11	2.49	11.35	2.52	11.81	2.56	12.29	2.61
							25	9.79	2.44	10.24	2.49	10.69	2.53	10.92	2.56	11.16	2.58	11.62	2.62	12.10	2.67
							27	9.60	2.50	10.05	2.55	10.50	2.59	10.73	2.62	10.97	2.64	11.44	2.69	11.91	2.73
							29	9.41	2.57	9.86	2.61	10.32	2.66	10.55	2.68	10.78	2.70	11.25	2.75	11.72	2.79
							31	9.22	2.63	9.67	2.68	10.13	2.72	10.36	2.74	10.59	2.77	11.06	2.81	11.54	2.86
							33	9.03	2.69	9.48	2.74	9.94	2.79	10.17	2.81	10.40	2.83	10.87	2.88	11.35	2.93
							35	8.84	2.76	9.29	2.81	9.75	2.85	10.00	2.87	10.22	2.90	10.69	2.95	11.17	2.99
							37	8.65	2.83	9.10	2.87	9.56	2.92	9.79	2.94	10.03	2.97	10.50	3.01	10.98	3.06
							39	8.46	2.89	8.92	2.94	9.38	2.99	9.61	3.01	9.84	3.04	10.32	3.08	10.80	3.13
42	8.18	3.00	8.63	3.04	9.10	3.09	9.33	3.12	9.56	3.14	10.04	3.19	10.52	3.23							
44	7.99	3.07	8.45	3.11	8.91	3.16	9.14	3.19	9.38	3.21	9.86	3.26	10.34	3.31							
46	7.80	3.14	8.26	3.19	8.73	3.23	8.96	3.26	9.20	3.28	9.67	3.33	10.16	3.38							

12. Capacity Table

Combination (Capacity Index)					Combination (Total)	Combination (%)	Outdoor Temperature (°C, DB)	Indoor Temperature(°C, WB)													
								14		16		18		19		20		22		24	
								TC(kW)	PI(kW)	TC(kW)	PI(kW)	TC(kW)	PI(kW)	TC(kW)	PI(kW)	TC(kW)	PI(kW)	TC(kW)	PI(kW)	TC(kW)	PI(kW)
2000	2500	2500	2500	2500	12000	120%	10	8.57	1.92	12.09	1.97	12.32	2.02	12.46	2.04	12.61	2.07	12.96	2.11	13.38	2.15
							12	8.57	1.97	11.76	2.02	12.01	2.07	12.15	2.09	12.32	2.11	12.69	2.16	13.12	2.20
							14	8.57	2.02	11.45	2.07	11.71	2.12	11.86	2.14	12.03	2.16	12.42	2.21	12.87	2.25
							16	8.57	2.07	11.15	2.12	11.42	2.17	11.59	2.19	11.77	2.21	12.17	2.26	12.63	2.30
							18	8.57	2.13	10.86	2.17	11.15	2.22	11.32	2.24	11.51	2.27	11.93	2.31	12.41	2.35
							20	8.57	2.18	10.58	2.23	10.89	2.28	11.07	2.30	11.27	2.32	11.71	2.36	12.20	2.40
							21	8.57	2.21	10.45	2.26	10.77	2.30	10.95	2.32	11.15	2.35	11.60	2.39	12.10	2.43
							23	8.57	2.27	10.19	2.31	10.53	2.36	10.72	2.38	10.93	2.40	11.39	2.45	11.92	2.49
							25	8.57	2.32	9.95	2.37	10.31	2.42	10.51	2.44	10.72	2.46	11.20	2.50	11.74	2.54
							27	8.57	2.38	9.73	2.43	10.10	2.47	10.31	2.50	10.53	2.52	11.02	2.56	11.58	2.60
							29	8.57	2.44	9.51	2.49	9.90	2.54	10.12	2.56	10.35	2.58	10.86	2.62	11.43	2.66
							31	8.57	2.51	9.31	2.55	9.71	2.60	9.94	2.62	10.18	2.64	10.71	2.68	11.30	2.72
							33	8.57	2.57	9.12	2.62	9.54	2.66	9.78	2.68	10.03	2.70	10.57	2.75	11.18	2.79
							35	8.57	2.63	8.95	2.68	9.39	2.72	9.70	2.74	9.89	2.77	10.45	2.81	11.07	2.85
							37	8.57	2.70	8.79	2.75	9.24	2.79	9.49	2.81	9.76	2.83	10.34	2.88	10.98	2.91
							39	8.57	2.77	8.64	2.81	9.11	2.86	9.37	2.88	9.65	2.90	10.24	2.94	10.90	2.98
							42	8.57	2.87	8.45	2.92	8.94	2.96	9.21	2.98	9.50	3.01	10.12	3.05	10.80	3.09
44	8.57	2.94	8.33	2.99	8.85	3.03	9.13	3.06	9.42	3.08	10.06	3.12	10.76	3.16							
46	8.57	3.02	8.23	3.06	8.76	3.11	9.05	3.13	9.36	3.15	10.01	3.19	10.73	3.23							
2000	2500	2500	2500	3500	13000	130%	10	11.24	1.96	11.69	2.01	12.13	2.05	12.36	2.07	12.59	2.09	13.05	2.13	13.52	2.17
							12	11.05	2.02	11.49	2.06	11.94	2.10	12.17	2.12	12.40	2.14	12.86	2.19	13.33	2.23
							14	10.85	2.07	11.30	2.11	11.75	2.16	11.97	2.18	12.20	2.20	12.67	2.24	13.14	2.28
							16	10.66	2.13	11.10	2.17	11.55	2.21	11.78	2.23	12.01	2.25	12.48	2.30	12.95	2.34
							18	10.47	2.18	10.91	2.22	11.36	2.27	11.59	2.29	11.82	2.31	12.29	2.35	12.76	2.40
							20	10.27	2.24	10.72	2.28	11.17	2.32	11.40	2.35	11.63	2.37	12.10	2.41	12.57	2.45
							21	10.18	2.27	10.62	2.31	11.08	2.35	11.30	2.37	11.54	2.40	12.00	2.44	12.47	2.48
							23	9.98	2.32	10.43	2.37	10.88	2.41	11.11	2.43	11.35	2.46	11.81	2.50	12.29	2.54
							25	9.79	2.38	10.24	2.43	10.69	2.47	10.92	2.49	11.16	2.51	11.62	2.56	12.10	2.60
							27	9.60	2.44	10.05	2.49	10.50	2.53	10.73	2.55	10.97	2.58	11.44	2.62	11.91	2.66
							29	9.41	2.50	9.86	2.55	10.32	2.59	10.55	2.62	10.78	2.64	11.25	2.68	11.72	2.73
							31	9.22	2.57	9.67	2.61	10.13	2.66	10.36	2.68	10.59	2.70	11.06	2.75	11.54	2.79
							33	9.03	2.63	9.48	2.67	9.94	2.72	10.17	2.74	10.40	2.76	10.87	2.81	11.35	2.85
							35	8.84	2.69	9.29	2.74	9.75	2.78	10.00	2.80	10.22	2.83	10.69	2.87	11.17	2.92
							37	8.65	2.76	9.10	2.80	9.56	2.85	9.79	2.87	10.03	2.89	10.50	2.94	10.98	2.99
							39	8.46	2.82	8.92	2.87	9.38	2.92	9.61	2.94	9.84	2.96	10.32	3.01	10.80	3.05
							42	8.18	2.92	8.63	2.97	9.10	3.02	9.33	3.04	9.56	3.06	10.04	3.11	10.52	3.16
44	7.99	2.99	8.45	3.04	8.91	3.09	9.14	3.11	9.38	3.13	9.86	3.18	10.34	3.23							
46	7.80	3.06	8.26	3.11	8.73	3.16	8.96	3.18	9.20	3.20	9.67	3.25	10.16	3.30							

12. Capacity Table

Combination (Capacity Index)					Combination (Total)	Combination (%)	Outdoor Temperature (°C, DB)	Indoor Temperature(°C, WB)													
								14		16		18		19		20		22		24	
								TC(kW)	PI(kW)	TC(kW)	PI(kW)	TC(kW)	PI(kW)	TC(kW)	PI(kW)	TC(kW)	PI(kW)	TC(kW)	PI(kW)	TC(kW)	PI(kW)
2000	2500	2500	2500	5000	14500	145%	10	11.24	1.97	11.69	2.01	12.13	2.06	12.36	2.08	12.59	2.10	13.05	2.14	13.52	2.18
							12	11.05	2.02	11.49	2.07	11.94	2.11	12.17	2.13	12.40	2.15	12.86	2.19	13.33	2.24
							14	10.85	2.08	11.30	2.12	11.75	2.16	11.97	2.18	12.20	2.21	12.67	2.25	13.14	2.29
							16	10.66	2.13	11.10	2.18	11.55	2.22	11.78	2.24	12.01	2.26	12.48	2.30	12.95	2.35
							18	10.47	2.19	10.91	2.23	11.36	2.27	11.59	2.30	11.82	2.32	12.29	2.36	12.76	2.40
							20	10.27	2.25	10.72	2.29	11.17	2.33	11.40	2.35	11.63	2.38	12.10	2.42	12.57	2.46
							21	10.18	2.27	10.62	2.32	11.08	2.36	11.30	2.38	11.54	2.40	12.00	2.45	12.47	2.49
							23	9.98	2.33	10.43	2.38	10.88	2.42	11.11	2.44	11.35	2.46	11.81	2.51	12.29	2.55
							25	9.79	2.39	10.24	2.44	10.69	2.48	10.92	2.50	11.16	2.52	11.62	2.57	12.10	2.61
							27	9.60	2.45	10.05	2.50	10.50	2.54	10.73	2.56	10.97	2.58	11.44	2.63	11.91	2.67
							29	9.41	2.51	9.86	2.56	10.32	2.60	10.55	2.62	10.78	2.65	11.25	2.69	11.72	2.74
							31	9.22	2.57	9.67	2.62	10.13	2.66	10.36	2.69	10.59	2.71	11.06	2.75	11.54	2.80
							33	9.03	2.64	9.48	2.68	9.94	2.73	10.17	2.75	10.40	2.77	10.87	2.82	11.35	2.86
							35	8.84	2.70	9.29	2.75	9.75	2.79	10.00	2.81	10.22	2.84	10.69	2.88	11.17	2.93
							37	8.65	2.77	9.10	2.81	9.56	2.86	9.79	2.88	10.03	2.90	10.50	2.95	10.98	3.00
							39	8.46	2.83	8.92	2.88	9.38	2.93	9.61	2.95	9.84	2.97	10.32	3.02	10.80	3.06
42	8.18	2.93	8.63	2.98	9.10	3.03	9.33	3.05	9.56	3.07	10.04	3.12	10.52	3.17							
44	7.99	3.00	8.45	3.05	8.91	3.10	9.14	3.12	9.38	3.14	9.86	3.19	10.34	3.24							
46	7.80	3.07	8.26	3.12	8.73	3.17	8.96	3.19	9.20	3.21	9.67	3.26	10.16	3.31							
2000	2500	2500	2500	6800	16300	163%	10	11.24	2.02	11.69	2.06	12.13	2.11	12.36	2.13	12.59	2.15	13.05	2.19	13.52	2.24
							12	11.05	2.07	11.49	2.12	11.94	2.16	12.17	2.18	12.40	2.20	12.86	2.25	13.33	2.29
							14	10.85	2.13	11.30	2.17	11.75	2.22	11.97	2.24	12.20	2.26	12.67	2.30	13.14	2.35
							16	10.66	2.19	11.10	2.23	11.55	2.27	11.78	2.30	12.01	2.32	12.48	2.36	12.95	2.41
							18	10.47	2.24	10.91	2.29	11.36	2.33	11.59	2.35	11.82	2.38	12.29	2.42	12.76	2.46
							20	10.27	2.30	10.72	2.35	11.17	2.39	11.40	2.41	11.63	2.43	12.10	2.48	12.57	2.52
							21	10.18	2.33	10.62	2.38	11.08	2.42	11.30	2.44	11.54	2.46	12.00	2.51	12.47	2.55
							23	9.98	2.39	10.43	2.44	10.88	2.48	11.11	2.50	11.35	2.53	11.81	2.57	12.29	2.62
							25	9.79	2.45	10.24	2.50	10.69	2.54	10.92	2.56	11.16	2.59	11.62	2.63	12.10	2.68
							27	9.60	2.51	10.05	2.56	10.50	2.60	10.73	2.63	10.97	2.65	11.44	2.69	11.91	2.74
							29	9.41	2.58	9.86	2.62	10.32	2.67	10.55	2.69	10.78	2.71	11.25	2.76	11.72	2.80
							31	9.22	2.64	9.67	2.69	10.13	2.73	10.36	2.75	10.59	2.78	11.06	2.82	11.54	2.87
							33	9.03	2.70	9.48	2.75	9.94	2.80	10.17	2.82	10.40	2.84	10.87	2.89	11.35	2.94
							35	8.84	2.77	9.29	2.82	9.75	2.86	10.00	2.88	10.22	2.91	10.69	2.96	11.17	3.00
							37	8.65	2.84	9.10	2.88	9.56	2.93	9.79	2.95	10.03	2.98	10.50	3.02	10.98	3.07
							39	8.46	2.90	8.92	2.95	9.38	3.00	9.61	3.02	9.84	3.05	10.32	3.09	10.80	3.14
42	8.18	3.01	8.63	3.06	9.10	3.10	9.33	3.13	9.56	3.15	10.04	3.20	10.52	3.25							
44	7.99	3.08	8.45	3.13	8.91	3.17	9.14	3.20	9.38	3.22	9.86	3.27	10.34	3.32							
46	7.80	3.15	8.26	3.20	8.73	3.25	8.96	3.27	9.20	3.29	9.67	3.34	10.16	3.39							

12. Capacity Table

Combination (Capacity Index)					Combination (Total)	Combination (%)	Outdoor Temperature (°C,DB)	Indoor Temperature(°C, WB)													
								14		16		18		19		20		22		24	
								TC(kW)	PI(kW)	TC(kW)	PI(kW)	TC(kW)	PI(kW)	TC(kW)	PI(kW)	TC(kW)	PI(kW)	TC(kW)	PI(kW)	TC(kW)	PI(kW)
2000	2500	2500	3500	3500	14000	140%	10	11.24	2.00	11.69	2.04	12.13	2.08	12.36	2.11	12.59	2.13	13.05	2.17	13.52	2.21
							12	11.05	2.05	11.49	2.10	11.94	2.14	12.17	2.16	12.40	2.18	12.86	2.22	13.33	2.27
							14	10.85	2.11	11.30	2.15	11.75	2.19	11.97	2.22	12.20	2.24	12.67	2.28	13.14	2.32
							16	10.66	2.16	11.10	2.21	11.55	2.25	11.78	2.27	12.01	2.29	12.48	2.34	12.95	2.38
							18	10.47	2.22	10.91	2.26	11.36	2.31	11.59	2.33	11.82	2.35	12.29	2.39	12.76	2.44
							20	10.27	2.28	10.72	2.32	11.17	2.37	11.40	2.39	11.63	2.41	12.10	2.45	12.57	2.50
							21	10.18	2.31	10.62	2.35	11.08	2.39	11.30	2.42	11.54	2.44	12.00	2.48	12.47	2.53
							23	9.98	2.37	10.43	2.41	10.88	2.45	11.11	2.48	11.35	2.50	11.81	2.54	12.29	2.59
							25	9.79	2.43	10.24	2.47	10.69	2.52	10.92	2.54	11.16	2.56	11.62	2.60	12.10	2.65
							27	9.60	2.49	10.05	2.53	10.50	2.58	10.73	2.60	10.97	2.62	11.44	2.67	11.91	2.71
							29	9.41	2.55	9.86	2.59	10.32	2.64	10.55	2.66	10.78	2.68	11.25	2.73	11.72	2.78
							31	9.22	2.61	9.67	2.66	10.13	2.70	10.36	2.73	10.59	2.75	11.06	2.79	11.54	2.84
							33	9.03	2.68	9.48	2.72	9.94	2.77	10.17	2.79	10.40	2.81	10.87	2.86	11.35	2.91
							35	8.84	2.74	9.29	2.79	9.75	2.83	10.00	2.85	10.22	2.88	10.69	2.93	11.17	2.97
							37	8.65	2.81	9.10	2.85	9.56	2.90	9.79	2.92	10.03	2.95	10.50	2.99	10.98	3.04
							39	8.46	2.87	8.92	2.92	9.38	2.97	9.61	2.99	9.84	3.01	10.32	3.06	10.80	3.11
							42	8.18	2.98	8.63	3.02	9.10	3.07	9.33	3.09	9.56	3.12	10.04	3.16	10.52	3.21
44	7.99	3.05	8.45	3.09	8.91	3.14	9.14	3.16	9.38	3.19	9.86	3.24	10.34	3.28							
46	7.80	3.12	8.26	3.16	8.73	3.21	8.96	3.24	9.20	3.26	9.67	3.31	10.16	3.35							
2000	2500	2500	3500	5000	15500	155%	10	11.24	2.01	11.69	2.05	12.13	2.09	12.36	2.11	12.59	2.14	13.05	2.18	13.52	2.22
							12	11.05	2.06	11.49	2.10	11.94	2.15	12.17	2.17	12.40	2.19	12.86	2.23	13.33	2.28
							14	10.85	2.12	11.30	2.16	11.75	2.20	11.97	2.22	12.20	2.25	12.67	2.29	13.14	2.33
							16	10.66	2.17	11.10	2.21	11.55	2.26	11.78	2.28	12.01	2.30	12.48	2.35	12.95	2.39
							18	10.47	2.23	10.91	2.27	11.36	2.32	11.59	2.34	11.82	2.36	12.29	2.40	12.76	2.45
							20	10.27	2.29	10.72	2.33	11.17	2.37	11.40	2.40	11.63	2.42	12.10	2.46	12.57	2.51
							21	10.18	2.31	10.62	2.36	11.08	2.40	11.30	2.43	11.54	2.45	12.00	2.49	12.47	2.54
							23	9.98	2.37	10.43	2.42	10.88	2.46	11.11	2.49	11.35	2.51	11.81	2.55	12.29	2.60
							25	9.79	2.43	10.24	2.48	10.69	2.52	10.92	2.55	11.16	2.57	11.62	2.61	12.10	2.66
							27	9.60	2.50	10.05	2.54	10.50	2.59	10.73	2.61	10.97	2.63	11.44	2.68	11.91	2.72
							29	9.41	2.56	9.86	2.60	10.32	2.65	10.55	2.67	10.78	2.69	11.25	2.74	11.72	2.79
							31	9.22	2.62	9.67	2.67	10.13	2.71	10.36	2.74	10.59	2.76	11.06	2.80	11.54	2.85
							33	9.03	2.69	9.48	2.73	9.94	2.78	10.17	2.80	10.40	2.82	10.87	2.87	11.35	2.92
							35	8.84	2.75	9.29	2.80	9.75	2.84	10.00	2.86	10.22	2.89	10.69	2.94	11.17	2.98
							37	8.65	2.82	9.10	2.86	9.56	2.91	9.79	2.93	10.03	2.96	10.50	3.00	10.98	3.05
							39	8.46	2.88	8.92	2.93	9.38	2.98	9.61	3.00	9.84	3.02	10.32	3.07	10.80	3.12
							42	8.18	2.99	8.63	3.03	9.10	3.08	9.33	3.10	9.56	3.13	10.04	3.18	10.52	3.22
44	7.99	3.06	8.45	3.10	8.91	3.15	9.14	3.18	9.38	3.20	9.86	3.25	10.34	3.29							
46	7.80	3.13	8.26	3.17	8.73	3.22	8.96	3.25	9.20	3.27	9.67	3.32	10.16	3.37							

12. Capacity Table

Combination (Capacity Index)					Combination (Total)	Combination (%)	Outdoor Temperature (°C, DB)	Indoor Temperature(°C, WB)													
								14		16		18		19		20		22		24	
								TC(kW)	PI(kW)	TC(kW)	PI(kW)	TC(kW)	PI(kW)	TC(kW)	PI(kW)	TC(kW)	PI(kW)	TC(kW)	PI(kW)	TC(kW)	PI(kW)
2000	2500	2500	3500	6800	17300	173%	10	11.24	2.06	11.69	2.10	12.13	2.14	12.36	2.17	12.59	2.19	13.05	2.23	13.52	2.27
							12	11.05	2.11	11.49	2.15	11.94	2.20	12.17	2.22	12.40	2.24	12.86	2.29	13.33	2.33
							14	10.85	2.17	11.30	2.21	11.75	2.26	11.97	2.28	12.20	2.30	12.67	2.34	13.14	2.39
							16	10.66	2.22	11.10	2.27	11.55	2.31	11.78	2.34	12.01	2.36	12.48	2.40	12.95	2.45
							18	10.47	2.28	10.91	2.33	11.36	2.37	11.59	2.39	11.82	2.42	12.29	2.46	12.76	2.51
							20	10.27	2.34	10.72	2.39	11.17	2.43	11.40	2.45	11.63	2.48	12.10	2.52	12.57	2.57
							21	10.18	2.37	10.62	2.42	11.08	2.46	11.30	2.48	11.54	2.51	12.00	2.55	12.47	2.60
							23	9.98	2.43	10.43	2.48	10.88	2.52	11.11	2.55	11.35	2.57	11.81	2.61	12.29	2.66
							25	9.79	2.49	10.24	2.54	10.69	2.59	10.92	2.61	11.16	2.63	11.62	2.68	12.10	2.72
							27	9.60	2.56	10.05	2.60	10.50	2.65	10.73	2.67	10.97	2.70	11.44	2.74	11.91	2.79
							29	9.41	2.62	9.86	2.67	10.32	2.71	10.55	2.74	10.78	2.76	11.25	2.81	11.72	2.85
							31	9.22	2.68	9.67	2.73	10.13	2.78	10.36	2.80	10.59	2.83	11.06	2.87	11.54	2.92
							33	9.03	2.75	9.48	2.80	9.94	2.85	10.17	2.87	10.40	2.89	10.87	2.94	11.35	2.99
							35	8.84	2.82	9.29	2.87	9.75	2.91	10.00	2.93	10.22	2.96	10.69	3.01	11.17	3.06
							37	8.65	2.89	9.10	2.93	9.56	2.98	9.79	3.00	10.03	3.03	10.50	3.08	10.98	3.12
							39	8.46	2.95	8.92	3.00	9.38	3.05	9.61	3.07	9.84	3.10	10.32	3.15	10.80	3.19
42	8.18	3.06	8.63	3.11	9.10	3.16	9.33	3.18	9.56	3.21	10.04	3.25	10.52	3.30							
44	7.99	3.13	8.45	3.18	8.91	3.23	9.14	3.25	9.38	3.28	9.86	3.33	10.34	3.37							
46	7.80	3.20	8.26	3.25	8.73	3.30	8.96	3.33	9.20	3.35	9.67	3.40	10.16	3.45							
2000	2500	2500	5000	5000	17000	170%	10	11.24	2.06	11.69	2.10	12.13	2.14	12.36	2.17	12.59	2.19	13.05	2.23	13.52	2.27
							12	11.05	2.11	11.49	2.15	11.94	2.20	12.17	2.22	12.40	2.24	12.86	2.29	13.33	2.33
							14	10.85	2.17	11.30	2.21	11.75	2.26	11.97	2.28	12.20	2.30	12.67	2.34	13.14	2.39
							16	10.66	2.22	11.10	2.27	11.55	2.31	11.78	2.34	12.01	2.36	12.48	2.40	12.95	2.45
							18	10.47	2.28	10.91	2.33	11.36	2.37	11.59	2.39	11.82	2.42	12.29	2.46	12.76	2.51
							20	10.27	2.34	10.72	2.39	11.17	2.43	11.40	2.45	11.63	2.48	12.10	2.52	12.57	2.57
							21	10.18	2.37	10.62	2.42	11.08	2.46	11.30	2.48	11.54	2.51	12.00	2.55	12.47	2.60
							23	9.98	2.43	10.43	2.48	10.88	2.52	11.11	2.55	11.35	2.57	11.81	2.61	12.29	2.66
							25	9.79	2.49	10.24	2.54	10.69	2.59	10.92	2.61	11.16	2.63	11.62	2.68	12.10	2.72
							27	9.60	2.56	10.05	2.60	10.50	2.65	10.73	2.67	10.97	2.70	11.44	2.74	11.91	2.79
							29	9.41	2.62	9.86	2.67	10.32	2.71	10.55	2.74	10.78	2.76	11.25	2.81	11.72	2.85
							31	9.22	2.68	9.67	2.73	10.13	2.78	10.36	2.80	10.59	2.83	11.06	2.87	11.54	2.92
							33	9.03	2.75	9.48	2.80	9.94	2.85	10.17	2.87	10.40	2.89	10.87	2.94	11.35	2.99
							35	8.84	2.82	9.29	2.87	9.75	2.91	10.00	2.93	10.22	2.96	10.69	3.01	11.17	3.06
							37	8.65	2.89	9.10	2.93	9.56	2.98	9.79	3.00	10.03	3.03	10.50	3.08	10.98	3.12
							39	8.46	2.95	8.92	3.00	9.38	3.05	9.61	3.07	9.84	3.10	10.32	3.15	10.80	3.19
42	8.18	3.06	8.63	3.11	9.10	3.16	9.33	3.18	9.56	3.21	10.04	3.25	10.52	3.30							
44	7.99	3.13	8.45	3.18	8.91	3.23	9.14	3.25	9.38	3.28	9.86	3.33	10.34	3.37							
46	7.80	3.20	8.26	3.25	8.73	3.30	8.96	3.33	9.20	3.35	9.67	3.40	10.16	3.45							

12. Capacity Table

Combination (Capacity Index)					Combination (Total)	Combination (%)	Outdoor Temperature (°C,DB)	Indoor Temperature(°C, WB)															
								14		16		18		19		20		22		24			
								TC(kW)	PI(kW)	TC(kW)	PI(kW)	TC(kW)	PI(kW)	TC(kW)	PI(kW)	TC(kW)	PI(kW)	TC(kW)	PI(kW)	TC(kW)	PI(kW)		
2000	2500	3500	3500	3500	15000	150%	10	11.24	1.97	11.69	2.01	12.13	2.06	12.36	2.08	12.59	2.10	13.05	2.14	13.52	2.18		
							12	11.05	2.02	11.49	2.07	11.94	2.11	12.17	2.13	12.40	2.15	12.86	2.19	13.33	2.24		
							14	10.85	2.08	11.30	2.12	11.75	2.16	11.97	2.18	12.20	2.21	12.67	2.25	13.14	2.29		
							16	10.66	2.13	11.10	2.18	11.55	2.22	11.78	2.24	12.01	2.26	12.48	2.30	12.95	2.35		
							18	10.47	2.19	10.91	2.23	11.36	2.27	11.59	2.30	11.82	2.32	12.29	2.36	12.76	2.40		
							20	10.27	2.25	10.72	2.29	11.17	2.33	11.40	2.35	11.63	2.38	12.10	2.42	12.57	2.46		
							21	10.18	2.27	10.62	2.32	11.08	2.36	11.30	2.38	11.54	2.40	12.00	2.45	12.47	2.49		
							23	9.98	2.33	10.43	2.38	10.88	2.42	11.11	2.44	11.35	2.46	11.81	2.51	12.29	2.55		
							25	9.79	2.39	10.24	2.44	10.69	2.48	10.92	2.50	11.16	2.52	11.62	2.57	12.10	2.61		
							27	9.60	2.45	10.05	2.50	10.50	2.54	10.73	2.56	10.97	2.58	11.44	2.63	11.91	2.67		
							29	9.41	2.51	9.86	2.56	10.32	2.60	10.55	2.62	10.78	2.65	11.25	2.69	11.72	2.74		
							31	9.22	2.57	9.67	2.62	10.13	2.66	10.36	2.69	10.59	2.71	11.06	2.75	11.54	2.80		
							33	9.03	2.64	9.48	2.68	9.94	2.73	10.17	2.75	10.40	2.77	10.87	2.82	11.35	2.86		
							35	8.84	2.70	9.29	2.75	9.75	2.79	10.00	2.81	10.22	2.84	10.69	2.88	11.17	2.93		
							37	8.65	2.77	9.10	2.81	9.56	2.86	9.79	2.88	10.03	2.90	10.50	2.95	10.98	3.00		
							39	8.46	2.83	8.92	2.88	9.38	2.93	9.61	2.95	9.84	2.97	10.32	3.02	10.80	3.06		
42	8.18	2.93	8.63	2.98	9.10	3.03	9.33	3.05	9.56	3.07	10.04	3.12	10.52	3.17									
44	7.99	3.00	8.45	3.05	8.91	3.10	9.14	3.12	9.38	3.14	9.86	3.19	10.34	3.24									
46	7.80	3.07	8.26	3.12	8.73	3.17	8.96	3.19	9.20	3.21	9.67	3.26	10.16	3.31									
2000	2500	3500	3500	5000	16500	165%	10	11.24	2.05	11.69	2.09	12.13	2.14	12.36	2.16	12.59	2.18	13.05	2.22	13.52	2.27		
							12	11.05	2.10	11.49	2.15	11.94	2.19	12.17	2.21	12.40	2.24	12.86	2.28	13.33	2.32		
							14	10.85	2.16	11.30	2.20	11.75	2.25	11.97	2.27	12.20	2.29	12.67	2.34	13.14	2.38		
							16	10.66	2.22	11.10	2.26	11.55	2.31	11.78	2.33	12.01	2.35	12.48	2.39	12.95	2.44		
							18	10.47	2.27	10.91	2.32	11.36	2.36	11.59	2.39	11.82	2.41	12.29	2.45	12.76	2.50		
							20	10.27	2.33	10.72	2.38	11.17	2.42	11.40	2.45	11.63	2.47	12.10	2.51	12.57	2.56		
							21	10.18	2.36	10.62	2.41	11.08	2.45	11.30	2.48	11.54	2.50	12.00	2.54	12.47	2.59		
							23	9.98	2.42	10.43	2.47	10.88	2.51	11.11	2.54	11.35	2.56	11.81	2.61	12.29	2.65		
							25	9.79	2.49	10.24	2.53	10.69	2.58	10.92	2.60	11.16	2.62	11.62	2.67	12.10	2.71		
							27	9.60	2.55	10.05	2.59	10.50	2.64	10.73	2.66	10.97	2.69	11.44	2.73	11.91	2.78		
							29	9.41	2.61	9.86	2.66	10.32	2.70	10.55	2.73	10.78	2.75	11.25	2.80	11.72	2.84		
							31	9.22	2.68	9.67	2.72	10.13	2.77	10.36	2.79	10.59	2.82	11.06	2.86	11.54	2.91		
							33	9.03	2.74	9.48	2.79	9.94	2.84	10.17	2.86	10.40	2.88	10.87	2.93	11.35	2.98		
							35	8.84	2.81	9.29	2.86	9.75	2.90	10.00	2.92	10.22	2.95	10.69	3.00	11.17	3.04		
							37	8.65	2.88	9.10	2.92	9.56	2.97	9.79	2.99	10.03	3.02	10.50	3.07	10.98	3.11		
							39	8.46	2.94	8.92	2.99	9.38	3.04	9.61	3.06	9.84	3.09	10.32	3.14	10.80	3.18		
42	8.18	3.05	8.63	3.10	9.10	3.15	9.33	3.17	9.56	3.19	10.04	3.24	10.52	3.29									
44	7.99	3.12	8.45	3.17	8.91	3.22	9.14	3.24	9.38	3.27	9.86	3.31	10.34	3.36									
46	7.80	3.19	8.26	3.24	8.73	3.29	8.96	3.31	9.20	3.34	9.67	3.39	10.16	3.44									

12. Capacity Table

Combination (Capacity Index)					Combination (Total)	Combination (%)	Outdoor Temperature (°C,DB)	Indoor Temperature(°C, WB)													
								14		16		18		19		20		22		24	
								TC(kW)	PI(kW)	TC(kW)	PI(kW)	TC(kW)	PI(kW)	TC(kW)	PI(kW)	TC(kW)	PI(kW)	TC(kW)	PI(kW)	TC(kW)	PI(kW)
2000	3500	3500	3500	3500	16000	160%	10	11.24	2.01	11.69	2.05	12.13	2.09	12.36	2.11	12.59	2.14	13.05	2.18	13.52	2.22
							12	11.05	2.06	11.49	2.10	11.94	2.15	12.17	2.17	12.40	2.19	12.86	2.23	13.33	2.28
							14	10.85	2.12	11.30	2.16	11.75	2.20	11.97	2.22	12.20	2.25	12.67	2.29	13.14	2.33
							16	10.66	2.17	11.10	2.21	11.55	2.26	11.78	2.28	12.01	2.30	12.48	2.35	12.95	2.39
							18	10.47	2.23	10.91	2.27	11.36	2.32	11.59	2.34	11.82	2.36	12.29	2.40	12.76	2.45
							20	10.27	2.29	10.72	2.33	11.17	2.37	11.40	2.40	11.63	2.42	12.10	2.46	12.57	2.51
							21	10.18	2.31	10.62	2.36	11.08	2.40	11.30	2.43	11.54	2.45	12.00	2.49	12.47	2.54
							23	9.98	2.37	10.43	2.42	10.88	2.46	11.11	2.49	11.35	2.51	11.81	2.55	12.29	2.60
							25	9.79	2.43	10.24	2.48	10.69	2.52	10.92	2.55	11.16	2.57	11.62	2.61	12.10	2.66
							27	9.60	2.50	10.05	2.54	10.50	2.59	10.73	2.61	10.97	2.63	11.44	2.68	11.91	2.72
							29	9.41	2.56	9.86	2.60	10.32	2.65	10.55	2.67	10.78	2.69	11.25	2.74	11.72	2.79
							31	9.22	2.62	9.67	2.67	10.13	2.71	10.36	2.74	10.59	2.76	11.06	2.80	11.54	2.85
							33	9.03	2.69	9.48	2.73	9.94	2.78	10.17	2.80	10.40	2.82	10.87	2.87	11.35	2.92
							35	8.84	2.75	9.29	2.80	9.75	2.84	10.00	2.86	10.22	2.89	10.69	2.94	11.17	2.98
							37	8.65	2.82	9.10	2.86	9.56	2.91	9.79	2.93	10.03	2.96	10.50	3.00	10.98	3.05
							39	8.46	2.88	8.92	2.93	9.38	2.98	9.61	3.00	9.84	3.02	10.32	3.07	10.80	3.12
42	8.18	2.99	8.63	3.03	9.10	3.08	9.33	3.10	9.56	3.13	10.04	3.18	10.52	3.22							
44	7.99	3.06	8.45	3.10	8.91	3.15	9.14	3.18	9.38	3.20	9.86	3.25	10.34	3.29							
46	7.80	3.13	8.26	3.17	8.73	3.22	8.96	3.25	9.20	3.27	9.67	3.32	10.16	3.37							
2500	2500	2500	2500	2500	12500	125%	10	8.84	1.93	12.47	1.98	12.70	2.03	12.84	2.05	13.00	2.07	13.37	2.12	13.79	2.16
							12	8.84	1.98	12.13	2.03	12.38	2.08	12.53	2.10	12.70	2.12	13.08	2.17	13.52	2.21
							14	8.84	2.03	11.80	2.08	12.07	2.13	12.23	2.15	12.41	2.17	12.80	2.21	13.27	2.26
							16	8.84	2.08	11.49	2.13	11.78	2.18	11.95	2.20	12.13	2.22	12.54	2.27	13.02	2.31
							18	8.84	2.13	11.19	2.18	11.50	2.23	11.67	2.25	11.87	2.27	12.30	2.32	12.80	2.36
							20	8.84	2.19	10.91	2.24	11.23	2.28	11.42	2.31	11.62	2.33	12.07	2.37	12.58	2.41
							21	8.84	2.22	10.77	2.26	11.10	2.31	11.29	2.33	11.50	2.36	11.96	2.40	12.48	2.44
							23	8.84	2.27	10.51	2.32	10.86	2.37	11.06	2.39	11.27	2.41	11.75	2.45	12.29	2.50
							25	8.84	2.33	10.26	2.38	10.63	2.42	10.83	2.45	11.06	2.47	11.55	2.51	12.11	2.55
							27	8.84	2.39	10.03	2.44	10.41	2.48	10.62	2.51	10.86	2.53	11.37	2.57	11.94	2.61
							29	8.84	2.45	9.81	2.50	10.20	2.54	10.43	2.57	10.67	2.59	11.20	2.63	11.79	2.67
							31	8.84	2.51	9.60	2.56	10.02	2.61	10.25	2.63	10.50	2.65	11.04	2.69	11.65	2.73
							33	8.84	2.58	9.40	2.62	9.84	2.67	10.08	2.69	10.34	2.71	10.90	2.76	11.53	2.80
							35	8.84	2.64	9.23	2.69	9.68	2.73	10.00	2.75	10.19	2.78	10.77	2.82	11.41	2.86
							37	8.84	2.71	9.06	2.76	9.53	2.80	9.79	2.82	10.06	2.84	10.66	2.89	11.32	2.93
							39	8.84	2.78	8.91	2.82	9.39	2.87	9.66	2.89	9.94	2.91	10.56	2.95	11.24	2.99
42	8.84	2.88	8.71	2.93	9.22	2.97	9.50	3.00	9.80	3.02	10.43	3.06	11.14	3.10							
44	8.84	2.96	8.59	3.00	9.12	3.05	9.41	3.07	9.71	3.09	10.37	3.13	11.09	3.17							
46	8.84	3.03	8.49	3.07	9.03	3.12	9.33	3.14	9.64	3.16	10.32	3.20	11.06	3.24							

12. Capacity Table

Combination (Capacity Index)					Combination (Total)	Combination (%)	Outdoor Temperature (°C,DB)	Indoor Temperature(°C, WB)															
								14		16		18		19		20		22		24			
								TC(kW)	PI(kW)	TC(kW)	PI(kW)	TC(kW)	PI(kW)	TC(kW)	PI(kW)	TC(kW)	PI(kW)	TC(kW)	PI(kW)	TC(kW)	PI(kW)		
2500	2500	2500	2500	3500	13500	135%	10	11.24	1.99	11.69	2.04	12.13	2.08	12.36	2.10	12.59	2.12	13.05	2.16	13.52	2.21		
							12	11.05	2.05	11.49	2.09	11.94	2.13	12.17	2.15	12.40	2.17	12.86	2.22	13.33	2.26		
							14	10.85	2.10	11.30	2.14	11.75	2.19	11.97	2.21	12.20	2.23	12.67	2.27	13.14	2.32		
							16	10.66	2.16	11.10	2.20	11.55	2.24	11.78	2.26	12.01	2.29	12.48	2.33	12.95	2.37		
							18	10.47	2.21	10.91	2.26	11.36	2.30	11.59	2.32	11.82	2.34	12.29	2.39	12.76	2.43		
							20	10.27	2.27	10.72	2.31	11.17	2.36	11.40	2.38	11.63	2.40	12.10	2.45	12.57	2.49		
							21	10.18	2.30	10.62	2.34	11.08	2.39	11.30	2.41	11.54	2.43	12.00	2.47	12.47	2.52		
							23	9.98	2.36	10.43	2.40	10.88	2.45	11.11	2.47	11.35	2.49	11.81	2.53	12.29	2.58		
							25	9.79	2.42	10.24	2.46	10.69	2.51	10.92	2.53	11.16	2.55	11.62	2.60	12.10	2.64		
							27	9.60	2.48	10.05	2.52	10.50	2.57	10.73	2.59	10.97	2.61	11.44	2.66	11.91	2.70		
							29	9.41	2.54	9.86	2.58	10.32	2.63	10.55	2.65	10.78	2.68	11.25	2.72	11.72	2.77		
							31	9.22	2.60	9.67	2.65	10.13	2.69	10.36	2.72	10.59	2.74	11.06	2.78	11.54	2.83		
							33	9.03	2.67	9.48	2.71	9.94	2.76	10.17	2.78	10.40	2.80	10.87	2.85	11.35	2.89		
							35	8.84	2.73	9.29	2.78	9.75	2.82	10.00	2.84	10.22	2.87	10.69	2.92	11.17	2.96		
							37	8.65	2.80	9.10	2.84	9.56	2.89	9.79	2.91	10.03	2.94	10.50	2.98	10.98	3.03		
							39	8.46	2.86	8.92	2.91	9.38	2.96	9.61	2.98	9.84	3.00	10.32	3.05	10.80	3.10		
							42	8.18	2.97	8.63	3.01	9.10	3.06	9.33	3.08	9.56	3.11	10.04	3.15	10.52	3.20		
44	7.99	3.03	8.45	3.08	8.91	3.13	9.14	3.15	9.38	3.18	9.86	3.22	10.34	3.27									
46	7.80	3.11	8.26	3.15	8.73	3.20	8.96	3.22	9.20	3.25	9.67	3.30	10.16	3.34									
2500	2500	2500	2500	5000	15000	150%	10	11.24	1.97	11.69	2.01	12.13	2.06	12.36	2.08	12.59	2.10	13.05	2.14	13.52	2.18		
							12	11.05	2.02	11.49	2.07	11.94	2.11	12.17	2.13	12.40	2.15	12.86	2.19	13.33	2.24		
							14	10.85	2.08	11.30	2.12	11.75	2.16	11.97	2.18	12.20	2.21	12.67	2.25	13.14	2.29		
							16	10.66	2.13	11.10	2.18	11.55	2.22	11.78	2.24	12.01	2.26	12.48	2.30	12.95	2.35		
							18	10.47	2.19	10.91	2.23	11.36	2.27	11.59	2.30	11.82	2.32	12.29	2.36	12.76	2.40		
							20	10.27	2.25	10.72	2.29	11.17	2.33	11.40	2.35	11.63	2.38	12.10	2.42	12.57	2.46		
							21	10.18	2.27	10.62	2.32	11.08	2.36	11.30	2.38	11.54	2.40	12.00	2.45	12.47	2.49		
							23	9.98	2.33	10.43	2.38	10.88	2.42	11.11	2.44	11.35	2.46	11.81	2.51	12.29	2.55		
							25	9.79	2.39	10.24	2.44	10.69	2.48	10.92	2.50	11.16	2.52	11.62	2.57	12.10	2.61		
							27	9.60	2.45	10.05	2.50	10.50	2.54	10.73	2.56	10.97	2.58	11.44	2.63	11.91	2.67		
							29	9.41	2.51	9.86	2.56	10.32	2.60	10.55	2.62	10.78	2.65	11.25	2.69	11.72	2.74		
							31	9.22	2.57	9.67	2.62	10.13	2.66	10.36	2.69	10.59	2.71	11.06	2.75	11.54	2.80		
							33	9.03	2.64	9.48	2.68	9.94	2.73	10.17	2.75	10.40	2.77	10.87	2.82	11.35	2.86		
							35	8.84	2.70	9.29	2.75	9.75	2.79	10.00	2.81	10.22	2.84	10.69	2.88	11.17	2.93		
							37	8.65	2.77	9.10	2.81	9.56	2.86	9.79	2.88	10.03	2.90	10.50	2.95	10.98	3.00		
							39	8.46	2.83	8.92	2.88	9.38	2.93	9.61	2.95	9.84	2.97	10.32	3.02	10.80	3.06		
							42	8.18	2.93	8.63	2.98	9.10	3.03	9.33	3.05	9.56	3.07	10.04	3.12	10.52	3.17		
44	7.99	3.00	8.45	3.05	8.91	3.10	9.14	3.12	9.38	3.14	9.86	3.19	10.34	3.24									
46	7.80	3.07	8.26	3.12	8.73	3.17	8.96	3.19	9.20	3.21	9.67	3.26	10.16	3.31									

12. Capacity Table

Combination (Capacity Index)					Combination (Total)	Combination (%)	Outdoor Temperature (°C, DB)	Indoor Temperature(°C, WB)													
								14		16		18		19		20		22		24	
								TC(kW)	PI(kW)	TC(kW)	PI(kW)	TC(kW)	PI(kW)	TC(kW)	PI(kW)	TC(kW)	PI(kW)	TC(kW)	PI(kW)	TC(kW)	PI(kW)
2500	2500	2500	2500	6800	16800	168%	10	11.24	2.06	11.69	2.10	12.13	2.14	12.36	2.17	12.59	2.19	13.05	2.23	13.52	2.27
							12	11.05	2.11	11.49	2.15	11.94	2.20	12.17	2.22	12.40	2.24	12.86	2.29	13.33	2.33
							14	10.85	2.17	11.30	2.21	11.75	2.26	11.97	2.28	12.20	2.30	12.67	2.34	13.14	2.39
							16	10.66	2.22	11.10	2.27	11.55	2.31	11.78	2.34	12.01	2.36	12.48	2.40	12.95	2.45
							18	10.47	2.28	10.91	2.33	11.36	2.37	11.59	2.39	11.82	2.42	12.29	2.46	12.76	2.51
							20	10.27	2.34	10.72	2.39	11.17	2.43	11.40	2.45	11.63	2.48	12.10	2.52	12.57	2.57
							21	10.18	2.37	10.62	2.42	11.08	2.46	11.30	2.48	11.54	2.51	12.00	2.55	12.47	2.60
							23	9.98	2.43	10.43	2.48	10.88	2.52	11.11	2.55	11.35	2.57	11.81	2.61	12.29	2.66
							25	9.79	2.49	10.24	2.54	10.69	2.59	10.92	2.61	11.16	2.63	11.62	2.68	12.10	2.72
							27	9.60	2.56	10.05	2.60	10.50	2.65	10.73	2.67	10.97	2.70	11.44	2.74	11.91	2.79
							29	9.41	2.62	9.86	2.67	10.32	2.71	10.55	2.74	10.78	2.76	11.25	2.81	11.72	2.85
							31	9.22	2.68	9.67	2.73	10.13	2.78	10.36	2.80	10.59	2.83	11.06	2.87	11.54	2.92
							33	9.03	2.75	9.48	2.80	9.94	2.85	10.17	2.87	10.40	2.89	10.87	2.94	11.35	2.99
							35	8.84	2.82	9.29	2.87	9.75	2.91	10.00	2.93	10.22	2.96	10.69	3.01	11.17	3.06
							37	8.65	2.89	9.10	2.93	9.56	2.98	9.79	3.00	10.03	3.03	10.50	3.08	10.98	3.12
							39	8.46	2.95	8.92	3.00	9.38	3.05	9.61	3.07	9.84	3.10	10.32	3.15	10.80	3.19
42	8.18	3.06	8.63	3.11	9.10	3.16	9.33	3.18	9.56	3.21	10.04	3.25	10.52	3.30							
44	7.99	3.13	8.45	3.18	8.91	3.23	9.14	3.25	9.38	3.28	9.86	3.33	10.34	3.37							
46	7.80	3.20	8.26	3.25	8.73	3.30	8.96	3.33	9.20	3.35	9.67	3.40	10.16	3.45							
2500	2500	2500	3500	3500	14500	145%	10	11.24	1.96	11.69	2.01	12.13	2.05	12.36	2.07	12.59	2.09	13.05	2.13	13.52	2.17
							12	11.05	2.02	11.49	2.06	11.94	2.10	12.17	2.12	12.40	2.14	12.86	2.19	13.33	2.23
							14	10.85	2.07	11.30	2.11	11.75	2.16	11.97	2.18	12.20	2.20	12.67	2.24	13.14	2.28
							16	10.66	2.13	11.10	2.17	11.55	2.21	11.78	2.23	12.01	2.25	12.48	2.30	12.95	2.34
							18	10.47	2.18	10.91	2.22	11.36	2.27	11.59	2.29	11.82	2.31	12.29	2.35	12.76	2.40
							20	10.27	2.24	10.72	2.28	11.17	2.32	11.40	2.35	11.63	2.37	12.10	2.41	12.57	2.45
							21	10.18	2.27	10.62	2.31	11.08	2.35	11.30	2.37	11.54	2.40	12.00	2.44	12.47	2.48
							23	9.98	2.32	10.43	2.37	10.88	2.41	11.11	2.43	11.35	2.46	11.81	2.50	12.29	2.54
							25	9.79	2.38	10.24	2.43	10.69	2.47	10.92	2.49	11.16	2.51	11.62	2.56	12.10	2.60
							27	9.60	2.44	10.05	2.49	10.50	2.53	10.73	2.55	10.97	2.58	11.44	2.62	11.91	2.66
							29	9.41	2.50	9.86	2.55	10.32	2.59	10.55	2.62	10.78	2.64	11.25	2.68	11.72	2.73
							31	9.22	2.57	9.67	2.61	10.13	2.66	10.36	2.68	10.59	2.70	11.06	2.75	11.54	2.79
							33	9.03	2.63	9.48	2.67	9.94	2.72	10.17	2.74	10.40	2.76	10.87	2.81	11.35	2.85
							35	8.84	2.69	9.29	2.74	9.75	2.78	10.00	2.80	10.22	2.83	10.69	2.87	11.17	2.92
							37	8.65	2.76	9.10	2.80	9.56	2.85	9.79	2.87	10.03	2.89	10.50	2.94	10.98	2.99
							39	8.46	2.82	8.92	2.87	9.38	2.92	9.61	2.94	9.84	2.96	10.32	3.01	10.80	3.05
42	8.18	2.92	8.63	2.97	9.10	3.02	9.33	3.04	9.56	3.06	10.04	3.11	10.52	3.16							
44	7.99	2.99	8.45	3.04	8.91	3.09	9.14	3.11	9.38	3.13	9.86	3.18	10.34	3.23							
46	7.80	3.06	8.26	3.11	8.73	3.16	8.96	3.18	9.20	3.20	9.67	3.25	10.16	3.30							

12. Capacity Table

Combination (Capacity Index)					Combination (Total)	Combination (%)	Outdoor Temperature (°C, DB)	Indoor Temperature(°C, WB)													
								14		16		18		19		20		22		24	
								TC(kW)	PI(kW)	TC(kW)	PI(kW)	TC(kW)	PI(kW)	TC(kW)	PI(kW)	TC(kW)	PI(kW)	TC(kW)	PI(kW)	TC(kW)	PI(kW)
2500	2500	2500	3500	5000	16000	160%	10	11.24	2.01	11.69	2.05	12.13	2.09	12.36	2.11	12.59	2.14	13.05	2.18	13.52	2.22
							12	11.05	2.06	11.49	2.10	11.94	2.15	12.17	2.17	12.40	2.19	12.86	2.23	13.33	2.28
							14	10.85	2.12	11.30	2.16	11.75	2.20	11.97	2.22	12.20	2.25	12.67	2.29	13.14	2.33
							16	10.66	2.17	11.10	2.21	11.55	2.26	11.78	2.28	12.01	2.30	12.48	2.35	12.95	2.39
							18	10.47	2.23	10.91	2.27	11.36	2.32	11.59	2.34	11.82	2.36	12.29	2.40	12.76	2.45
							20	10.27	2.29	10.72	2.33	11.17	2.37	11.40	2.40	11.63	2.42	12.10	2.46	12.57	2.51
							21	10.18	2.31	10.62	2.36	11.08	2.40	11.30	2.43	11.54	2.45	12.00	2.49	12.47	2.54
							23	9.98	2.37	10.43	2.42	10.88	2.46	11.11	2.49	11.35	2.51	11.81	2.55	12.29	2.60
							25	9.79	2.43	10.24	2.48	10.69	2.52	10.92	2.55	11.16	2.57	11.62	2.61	12.10	2.66
							27	9.60	2.50	10.05	2.54	10.50	2.59	10.73	2.61	10.97	2.63	11.44	2.68	11.91	2.72
							29	9.41	2.56	9.86	2.60	10.32	2.65	10.55	2.67	10.78	2.69	11.25	2.74	11.72	2.79
							31	9.22	2.62	9.67	2.67	10.13	2.71	10.36	2.74	10.59	2.76	11.06	2.80	11.54	2.85
							33	9.03	2.69	9.48	2.73	9.94	2.78	10.17	2.80	10.40	2.82	10.87	2.87	11.35	2.92
							35	8.84	2.75	9.29	2.80	9.75	2.84	10.00	2.86	10.22	2.89	10.69	2.94	11.17	2.98
							37	8.65	2.82	9.10	2.86	9.56	2.91	9.79	2.93	10.03	2.96	10.50	3.00	10.98	3.05
							39	8.46	2.88	8.92	2.93	9.38	2.98	9.61	3.00	9.84	3.02	10.32	3.07	10.80	3.12
42	8.18	2.99	8.63	3.03	9.10	3.08	9.33	3.10	9.56	3.13	10.04	3.18	10.52	3.22							
44	7.99	3.06	8.45	3.10	8.91	3.15	9.14	3.18	9.38	3.20	9.86	3.25	10.34	3.29							
46	7.80	3.13	8.26	3.17	8.73	3.22	8.96	3.25	9.20	3.27	9.67	3.32	10.16	3.37							
2500	2500	3500	3500	3500	15500	155%	10	11.24	2.00	11.69	2.04	12.13	2.08	12.36	2.11	12.59	2.13	13.05	2.17	13.52	2.21
							12	11.05	2.05	11.49	2.10	11.94	2.14	12.17	2.16	12.40	2.18	12.86	2.22	13.33	2.27
							14	10.85	2.11	11.30	2.15	11.75	2.19	11.97	2.22	12.20	2.24	12.67	2.28	13.14	2.32
							16	10.66	2.16	11.10	2.21	11.55	2.25	11.78	2.27	12.01	2.29	12.48	2.34	12.95	2.38
							18	10.47	2.22	10.91	2.26	11.36	2.31	11.59	2.33	11.82	2.35	12.29	2.39	12.76	2.44
							20	10.27	2.28	10.72	2.32	11.17	2.37	11.40	2.39	11.63	2.41	12.10	2.45	12.57	2.50
							21	10.18	2.31	10.62	2.35	11.08	2.39	11.30	2.42	11.54	2.44	12.00	2.48	12.47	2.53
							23	9.98	2.37	10.43	2.41	10.88	2.45	11.11	2.48	11.35	2.50	11.81	2.54	12.29	2.59
							25	9.79	2.43	10.24	2.47	10.69	2.52	10.92	2.54	11.16	2.56	11.62	2.60	12.10	2.65
							27	9.60	2.49	10.05	2.53	10.50	2.58	10.73	2.60	10.97	2.62	11.44	2.67	11.91	2.71
							29	9.41	2.55	9.86	2.59	10.32	2.64	10.55	2.66	10.78	2.68	11.25	2.73	11.72	2.78
							31	9.22	2.61	9.67	2.66	10.13	2.70	10.36	2.73	10.59	2.75	11.06	2.79	11.54	2.84
							33	9.03	2.68	9.48	2.72	9.94	2.77	10.17	2.79	10.40	2.81	10.87	2.86	11.35	2.91
							35	8.84	2.74	9.29	2.79	9.75	2.83	10.00	2.85	10.22	2.88	10.69	2.93	11.17	2.97
							37	8.65	2.81	9.10	2.85	9.56	2.90	9.79	2.92	10.03	2.95	10.50	2.99	10.98	3.04
							39	8.46	2.87	8.92	2.92	9.38	2.97	9.61	2.99	9.84	3.01	10.32	3.06	10.80	3.11
42	8.18	2.98	8.63	3.02	9.10	3.07	9.33	3.09	9.56	3.12	10.04	3.16	10.52	3.21							
44	7.99	3.05	8.45	3.09	8.91	3.14	9.14	3.16	9.38	3.19	9.86	3.24	10.34	3.28							
46	7.80	3.12	8.26	3.16	8.73	3.21	8.96	3.24	9.20	3.26	9.67	3.31	10.16	3.35							

12. Capacity Table

Combination (Capacity Index)					Combination (Total)	Combination (%)	Outdoor Temperature (°C,DB)	Indoor Temperature(°C, WB)													
								14		16		18		19		20		22		24	
								TC(kW)	PI(kW)	TC(kW)	PI(kW)	TC(kW)	PI(kW)	TC(kW)	PI(kW)	TC(kW)	PI(kW)	TC(kW)	PI(kW)	TC(kW)	PI(kW)
2500	2500	3500	3500	5000	17000	170%	10	11.24	2.05	11.69	2.09	12.13	2.14	12.36	2.16	12.59	2.18	13.05	2.22	13.52	2.27
							12	11.05	2.10	11.49	2.15	11.94	2.19	12.17	2.21	12.40	2.24	12.86	2.28	13.33	2.32
							14	10.85	2.16	11.30	2.20	11.75	2.25	11.97	2.27	12.20	2.29	12.67	2.34	13.14	2.38
							16	10.66	2.22	11.10	2.26	11.55	2.31	11.78	2.33	12.01	2.35	12.48	2.39	12.95	2.44
							18	10.47	2.27	10.91	2.32	11.36	2.36	11.59	2.39	11.82	2.41	12.29	2.45	12.76	2.50
							20	10.27	2.33	10.72	2.38	11.17	2.42	11.40	2.45	11.63	2.47	12.10	2.51	12.57	2.56
							21	10.18	2.36	10.62	2.41	11.08	2.45	11.30	2.48	11.54	2.50	12.00	2.54	12.47	2.59
							23	9.98	2.42	10.43	2.47	10.88	2.51	11.11	2.54	11.35	2.56	11.81	2.61	12.29	2.65
							25	9.79	2.49	10.24	2.53	10.69	2.58	10.92	2.60	11.16	2.62	11.62	2.67	12.10	2.71
							27	9.60	2.55	10.05	2.59	10.50	2.64	10.73	2.66	10.97	2.69	11.44	2.73	11.91	2.78
							29	9.41	2.61	9.86	2.66	10.32	2.70	10.55	2.73	10.78	2.75	11.25	2.80	11.72	2.84
							31	9.22	2.68	9.67	2.72	10.13	2.77	10.36	2.79	10.59	2.82	11.06	2.86	11.54	2.91
							33	9.03	2.74	9.48	2.79	9.94	2.84	10.17	2.86	10.40	2.88	10.87	2.93	11.35	2.98
							35	8.84	2.81	9.29	2.86	9.75	2.90	10.00	2.92	10.22	2.95	10.69	3.00	11.17	3.04
							37	8.65	2.88	9.10	2.92	9.56	2.97	9.79	2.99	10.03	3.02	10.50	3.07	10.98	3.11
							39	8.46	2.94	8.92	2.99	9.38	3.04	9.61	3.06	9.84	3.09	10.32	3.14	10.80	3.18
							42	8.18	3.05	8.63	3.10	9.10	3.15	9.33	3.17	9.56	3.19	10.04	3.24	10.52	3.29
44	7.99	3.12	8.45	3.17	8.91	3.22	9.14	3.24	9.38	3.27	9.86	3.31	10.34	3.36							
46	7.80	3.19	8.26	3.24	8.73	3.29	8.96	3.31	9.20	3.34	9.67	3.39	10.16	3.44							
2500	3500	3500	3500	3500	16500	165%	10	11.24	2.04	11.69	2.09	12.13	2.13	12.36	2.15	12.59	2.17	13.05	2.22	13.52	2.26
							12	11.05	2.10	11.49	2.14	11.94	2.18	12.17	2.21	12.40	2.23	12.86	2.27	13.33	2.32
							14	10.85	2.15	11.30	2.20	11.75	2.24	11.97	2.26	12.20	2.28	12.67	2.33	13.14	2.37
							16	10.66	2.21	11.10	2.25	11.55	2.30	11.78	2.32	12.01	2.34	12.48	2.39	12.95	2.43
							18	10.47	2.27	10.91	2.31	11.36	2.36	11.59	2.38	11.82	2.40	12.29	2.45	12.76	2.49
							20	10.27	2.33	10.72	2.37	11.17	2.42	11.40	2.44	11.63	2.46	12.10	2.51	12.57	2.55
							21	10.18	2.36	10.62	2.40	11.08	2.45	11.30	2.47	11.54	2.49	12.00	2.54	12.47	2.58
							23	9.98	2.42	10.43	2.46	10.88	2.51	11.11	2.53	11.35	2.55	11.81	2.60	12.29	2.64
							25	9.79	2.48	10.24	2.52	10.69	2.57	10.92	2.59	11.16	2.61	11.62	2.66	12.10	2.71
							27	9.60	2.54	10.05	2.58	10.50	2.63	10.73	2.65	10.97	2.68	11.44	2.72	11.91	2.77
							29	9.41	2.60	9.86	2.65	10.32	2.69	10.55	2.72	10.78	2.74	11.25	2.79	11.72	2.83
							31	9.22	2.67	9.67	2.71	10.13	2.76	10.36	2.78	10.59	2.81	11.06	2.85	11.54	2.90
							33	9.03	2.73	9.48	2.78	9.94	2.83	10.17	2.85	10.40	2.87	10.87	2.92	11.35	2.97
							35	8.84	2.80	9.29	2.85	9.75	2.89	10.00	2.91	10.22	2.94	10.69	2.99	11.17	3.03
							37	8.65	2.87	9.10	2.91	9.56	2.96	9.79	2.98	10.03	3.01	10.50	3.06	10.98	3.10
							39	8.46	2.93	8.92	2.98	9.38	3.03	9.61	3.05	9.84	3.08	10.32	3.13	10.80	3.17
							42	8.18	3.04	8.63	3.09	9.10	3.14	9.33	3.16	9.56	3.18	10.04	3.23	10.52	3.28
44	7.99	3.11	8.45	3.16	8.91	3.21	9.14	3.23	9.38	3.26	9.86	3.30	10.34	3.35							
46	7.80	3.18	8.26	3.23	8.73	3.28	8.96	3.30	9.20	3.33	9.67	3.38	10.16	3.43							

NOTE

- Cooling capacity is based on 27°CDB / 19°CWB (indoor temperature), 35°CDB (outdoor temperature).
- Heating capacity is based on 20°CDB (indoor temperature), 7°CDB/6°CWB (outdoor temperature).
- The above is the value for connecting with the following indoor units.
 - 2000, 2500, 3500, 5000, 6800W class: Wall Mounted [only for AR**FSSDWUN, AR**FSFPESNN, AR**FSFPDGMN]
- Capacities are based on the following conditions:
 - Corresponding refrigerant piping length : 5m / - Level difference : 0m
- The total ability of connected a indoor unit is up to 17.3kW
- It is impossible to connect the indoor unit for one room only.
- This data is reference data for temperature capacity trend.

12. Capacity Table

12-6. AJ100RCJ5EG/EU

Heating

Combination (Capacity Index)				Combination (Total)	Combination (%)	Outdoor Temperature (°C,DB)	Indoor Temperature(°C, DB)															
							14		16		18		20		21		22		24			
							TC(kW)	PI(kW)	TC(kW)	PI(kW)	TC(kW)	PI(kW)	TC(kW)	PI(kW)	TC(kW)	PI(kW)	TC(kW)	PI(kW)	TC(kW)	PI(kW)		
2000				2000	20%	-15	1.26	0.72	1.22	0.73	1.18	0.74	1.17	0.74	1.15	0.74	1.13	0.75	1.11	0.76		
						-10	1.51	0.75	1.47	0.76	1.43	0.77	1.41	0.78	1.40	0.78	1.37	0.79	1.34	0.80		
						-5	1.76	0.79	1.71	0.80	1.67	0.81	1.66	0.82	1.64	0.82	1.61	0.83	1.58	0.84		
						0	2.01	0.83	1.96	0.84	1.92	0.85	1.90	0.86	1.88	0.86	1.85	0.87	1.82	0.88		
						2	2.11	0.84	2.06	0.85	2.02	0.87	2.00	0.87	1.98	0.88	1.95	0.89	1.92	0.89		
						7	2.31	0.87	2.26	0.88	2.21	0.90	2.20	0.90	2.17	0.91	2.14	0.92	2.11	0.92		
						10	2.51	0.90	2.46	0.91	2.41	0.93	2.39	0.93	2.37	0.94	2.33	0.95	2.30	0.96		
						15	2.76	0.94	2.71	0.95	2.66	0.96	2.64	0.97	2.61	0.97	2.57	0.99	2.54	0.99		
2500				2500	25%	-15	1.83	0.85	1.77	0.86	1.72	0.87	1.70	0.88	1.68	0.88	1.64	0.89	1.61	0.90		
						-10	2.19	0.90	2.13	0.91	2.08	0.92	2.05	0.93	2.03	0.93	1.99	0.94	1.95	0.95		
						-5	2.56	0.94	2.49	0.95	2.44	0.97	2.41	0.97	2.38	0.98	2.34	0.99	2.30	1.00		
						0	2.92	0.98	2.85	1.00	2.79	1.01	2.76	1.02	2.74	1.02	2.69	1.03	2.65	1.04		
						2	3.07	1.00	3.00	1.02	2.94	1.03	2.91	1.04	2.88	1.04	2.83	1.05	2.79	1.06		
						7	3.36	1.04	3.29	1.05	3.22	1.06	3.20	1.07	3.16	1.08	3.11	1.09	3.07	1.10		
						10	3.65	1.07	3.58	1.09	3.51	1.10	3.48	1.11	3.45	1.11	3.39	1.13	3.34	1.14		
						15	4.02	1.11	3.94	1.13	3.87	1.14	3.83	1.15	3.80	1.16	3.74	1.17	3.69	1.18		
3500				3500	35%	-15	2.29	1.02	2.22	1.03	2.15	1.05	2.13	1.05	2.10	1.06	2.05	1.07	2.01	1.08		
						-10	2.74	1.07	2.67	1.09	2.60	1.10	2.57	1.11	2.54	1.11	2.49	1.12	2.44	1.13		
						-5	3.20	1.12	3.12	1.14	3.04	1.16	3.01	1.16	2.98	1.17	2.92	1.18	2.88	1.19		
						0	3.65	1.18	3.57	1.19	3.49	1.21	3.46	1.22	3.42	1.22	3.36	1.24	3.31	1.25		
						2	3.83	1.20	3.75	1.21	3.67	1.23	3.63	1.24	3.60	1.25	3.54	1.26	3.48	1.27		
						7	4.20	1.24	4.11	1.26	4.03	1.27	4.00	1.28	3.95	1.29	3.89	1.30	3.83	1.32		
						10	4.56	1.28	4.47	1.30	4.38	1.32	4.35	1.32	4.31	1.33	4.24	1.35	4.18	1.36		
						15	5.02	1.33	4.92	1.35	4.83	1.37	4.79	1.38	4.75	1.39	4.68	1.40	4.62	1.41		
5000				5000	50%	-15	3.43	1.43	3.33	1.45	3.23	1.47	3.19	1.48	3.15	1.49	3.08	1.50	3.02	1.51		
						-10	4.11	1.51	4.00	1.53	3.90	1.55	3.85	1.56	3.81	1.57	3.73	1.58	3.67	1.59		
						-5	4.80	1.58	4.67	1.60	4.57	1.62	4.52	1.63	4.47	1.64	4.39	1.66	4.31	1.68		
						0	5.48	1.65	5.35	1.68	5.24	1.70	5.18	1.71	5.13	1.72	5.04	1.74	4.97	1.75		
						2	5.75	1.68	5.62	1.71	5.50	1.73	5.45	1.74	5.40	1.75	5.31	1.77	5.23	1.79		
						7	6.30	1.74	6.16	1.77	6.04	1.79	6.00	1.80	5.93	1.81	5.83	1.83	5.75	1.85		
						10	6.84	1.80	6.70	1.83	6.58	1.85	6.52	1.86	6.46	1.87	6.36	1.89	6.27	1.91		
						15	7.53	1.87	7.38	1.90	7.25	1.93	7.19	1.94	7.13	1.95	7.02	1.97	6.92	1.99		
6800				6800	68%	-15	4.47	1.87	4.33	1.90	4.20	1.92	4.14	1.93	4.09	1.94	4.00	1.96	3.92	1.98		
						-10	5.35	1.97	5.20	2.00	5.07	2.02	5.01	2.03	4.95	2.04	4.85	2.06	4.77	2.08		
						-5	6.23	2.06	6.08	2.09	5.94	2.12	5.87	2.13	5.81	2.15	5.70	2.17	5.61	2.19		
						0	7.12	2.16	6.96	2.19	6.81	2.22	6.74	2.23	6.67	2.25	6.56	2.27	6.45	2.29		
						2	7.47	2.20	7.31	2.23	7.15	2.26	7.08	2.27	7.02	2.29	6.90	2.31	6.79	2.33		
						7	8.19	2.27	8.01	2.31	7.85	2.34	7.80	2.35	7.71	2.37	7.58	2.39	7.47	2.41		
						10	8.90	2.35	8.72	2.39	8.55	2.42	8.47	2.43	8.40	2.45	8.27	2.47	8.15	2.50		
						15	9.79	2.44	9.60	2.48	9.43	2.51	9.34	2.53	9.27	2.55	9.13	2.57	9.00	2.60		

12. Capacity Table

Combination (Capacity Index)				Combination (Total)	Combination (%)	Outdoor Temperature (°C, DB)	Indoor Temperature(°C, DB)													
							14		16		18		20		21		22		24	
							TC(kW)	PI(kW)	TC(kW)	PI(kW)	TC(kW)	PI(kW)	TC(kW)	PI(kW)	TC(kW)	PI(kW)	TC(kW)	PI(kW)	TC(kW)	PI(kW)
2000	2000			4000	40%	-15	2.52	0.99	2.44	1.01	2.37	1.02	2.34	1.03	2.31	1.03	2.26	1.04	2.21	1.05
						-10	3.02	1.05	2.93	1.06	2.86	1.08	2.82	1.08	2.79	1.09	2.74	1.10	2.69	1.11
						-5	3.52	1.10	3.43	1.11	3.35	1.13	3.31	1.14	3.28	1.14	3.22	1.15	3.16	1.16
						0	4.02	1.15	3.92	1.17	3.84	1.18	3.80	1.19	3.76	1.20	3.70	1.21	3.64	1.22
						2	4.22	1.17	4.12	1.19	4.04	1.20	4.00	1.21	3.96	1.22	3.89	1.23	3.83	1.24
						7	4.62	1.21	4.52	1.23	4.43	1.24	4.40	1.25	4.35	1.26	4.28	1.27	4.21	1.28
						10	5.02	1.25	4.92	1.27	4.82	1.29	4.78	1.29	4.74	1.30	4.66	1.32	4.60	1.33
2000	2500			4500	45%	-15	3.15	1.21	3.05	1.23	2.96	1.24	2.92	1.25	2.89	1.26	2.82	1.27	2.77	1.28
						-10	3.77	1.27	3.67	1.29	3.57	1.31	3.53	1.32	3.49	1.32	3.42	1.34	3.36	1.35
						-5	4.40	1.33	4.29	1.35	4.19	1.37	4.14	1.38	4.10	1.39	4.02	1.40	3.96	1.41
						0	5.02	1.40	4.90	1.42	4.80	1.44	4.75	1.45	4.71	1.45	4.62	1.47	4.55	1.48
						2	5.27	1.42	5.15	1.44	5.05	1.46	5.00	1.47	4.95	1.48	4.86	1.49	4.79	1.51
						7	5.77	1.47	5.65	1.49	5.54	1.51	5.50	1.52	5.44	1.53	5.35	1.55	5.27	1.56
						10	6.27	1.52	6.15	1.54	6.03	1.56	5.98	1.57	5.92	1.58	5.83	1.60	5.75	1.61
2000	3500			5500	55%	-15	3.55	1.35	3.44	1.37	3.34	1.39	3.29	1.40	3.25	1.41	3.18	1.42	3.12	1.43
						-10	4.25	1.42	4.13	1.44	4.03	1.46	3.98	1.47	3.94	1.48	3.86	1.49	3.79	1.51
						-5	4.95	1.49	4.83	1.51	4.72	1.53	4.67	1.54	4.62	1.55	4.53	1.57	4.46	1.58
						0	5.66	1.56	5.53	1.59	5.41	1.61	5.36	1.62	5.30	1.63	5.21	1.64	5.13	1.66
						2	5.94	1.59	5.81	1.61	5.69	1.64	5.63	1.65	5.58	1.65	5.48	1.67	5.40	1.69
						7	6.51	1.65	6.37	1.67	6.24	1.69	6.20	1.70	6.13	1.71	6.03	1.73	5.94	1.75
						10	7.07	1.70	6.93	1.73	6.80	1.75	6.74	1.76	6.68	1.77	6.57	1.79	6.48	1.81
2000	5000			7000	70%	-15	4.69	1.78	4.55	1.81	4.42	1.83	4.36	1.84	4.30	1.85	4.20	1.87	4.12	1.88
						-10	5.62	1.87	5.47	1.90	5.33	1.93	5.26	1.94	5.21	1.95	5.10	1.97	5.01	1.98
						-5	6.55	1.97	6.39	2.00	6.24	2.02	6.17	2.03	6.11	2.05	5.99	2.07	5.90	2.08
						0	7.48	2.06	7.31	2.09	7.16	2.12	7.08	2.13	7.02	2.14	6.89	2.16	6.79	2.18
						2	7.86	2.09	7.68	2.13	7.52	2.15	7.45	2.17	7.38	2.18	7.25	2.20	7.14	2.22
						7	8.61	2.17	8.42	2.20	8.25	2.23	8.20	2.24	8.10	2.26	7.97	2.28	7.85	2.30
						10	9.35	2.24	9.16	2.27	8.99	2.30	8.91	2.32	8.83	2.33	8.69	2.36	8.57	2.38
2000	6800			8800	88%	-15	5.72	2.22	5.55	2.25	5.39	2.28	5.31	2.29	5.25	2.31	5.13	2.33	5.03	2.35
						-10	6.86	2.33	6.67	2.37	6.50	2.40	6.42	2.41	6.35	2.43	6.22	2.45	6.11	2.47
						-5	7.99	2.45	7.79	2.49	7.61	2.52	7.53	2.53	7.45	2.55	7.31	2.57	7.19	2.60
						0	9.13	2.56	8.92	2.60	8.73	2.64	8.64	2.65	8.56	2.67	8.41	2.70	8.28	2.72
						2	9.58	2.61	9.37	2.65	9.17	2.68	9.08	2.70	9.00	2.72	8.84	2.74	8.71	2.77
						7	10.49	2.70	10.27	2.74	10.07	2.78	10.00	2.79	9.88	2.81	9.72	2.84	9.58	2.87
						10	11.41	2.79	11.17	2.83	10.96	2.87	10.86	2.89	10.77	2.90	10.60	2.94	10.45	2.96
2500	2500			5000	50%	-15	3.78	1.45	3.66	1.47	3.55	1.49	3.51	1.50	3.46	1.50	3.38	1.52	3.32	1.53
						-10	4.53	1.52	4.40	1.55	4.29	1.57	4.24	1.57	4.19	1.58	4.10	1.60	4.03	1.61
						-5	5.27	1.60	5.14	1.62	5.02	1.64	4.97	1.65	4.92	1.66	4.83	1.68	4.75	1.69
						0	6.02	1.67	5.89	1.70	5.76	1.72	5.70	1.73	5.65	1.74	5.55	1.76	5.46	1.77
						2	6.32	1.70	6.18	1.73	6.05	1.75	5.99	1.76	5.94	1.77	5.84	1.79	5.75	1.81
						7	6.93	1.76	6.78	1.79	6.64	1.81	6.60	1.82	6.52	1.83	6.42	1.85	6.32	1.87
						10	7.53	1.82	7.37	1.85	7.24	1.87	7.17	1.88	7.11	1.89	7.00	1.92	6.90	1.93
15	8.28	1.89	8.12	1.92	7.98	1.95	7.91	1.96	7.84	1.97	7.72	1.99	7.62	2.01						

12. Capacity Table

Combination (Capacity Index)				Combination (Total)	Combination (%)	Outdoor Temperature (°C,DB)	Indoor Temperature(°C, DB)															
							14		16		18		20		21		22		24			
							TC(kW)	PI(kW)	TC(kW)	PI(kW)	TC(kW)	PI(kW)	TC(kW)	PI(kW)	TC(kW)	PI(kW)	TC(kW)	PI(kW)	TC(kW)	PI(kW)		
2500	3500			6000	60%	-15	4.18	1.60	4.05	1.62	3.93	1.64	3.88	1.65	3.83	1.66	3.74	1.68	3.67	1.69		
						-10	5.01	1.68	4.87	1.71	4.74	1.73	4.69	1.74	4.63	1.75	4.54	1.77	4.46	1.78		
						-5	5.83	1.76	5.69	1.79	5.56	1.81	5.50	1.83	5.44	1.84	5.34	1.85	5.25	1.87		
						0	6.66	1.85	6.51	1.87	6.37	1.90	6.31	1.91	6.25	1.92	6.14	1.94	6.04	1.96		
						2	7.00	1.88	6.84	1.91	6.70	1.93	6.63	1.95	6.57	1.96	6.46	1.98	6.36	1.99		
						7	7.66	1.94	7.50	1.97	7.35	2.00	7.30	2.01	7.22	2.02	7.10	2.05	6.99	2.07		
						10	8.33	2.01	8.16	2.04	8.00	2.07	7.93	2.08	7.86	2.09	7.74	2.12	7.63	2.14		
						15	9.16	2.09	8.98	2.12	8.82	2.15	8.75	2.16	8.67	2.18	8.54	2.20	8.42	2.22		
2500	5000			7500	75%	-15	5.32	2.06	5.16	2.09	5.01	2.12	4.94	2.13	4.88	2.14	4.77	2.16	4.68	2.18		
						-10	6.38	2.17	6.20	2.20	6.04	2.23	5.97	2.24	5.90	2.25	5.78	2.28	5.68	2.29		
						-5	7.43	2.27	7.25	2.31	7.08	2.34	7.00	2.35	6.93	2.37	6.80	2.39	6.69	2.41		
						0	8.49	2.38	8.29	2.42	8.12	2.45	8.03	2.46	7.96	2.48	7.82	2.50	7.70	2.52		
						2	8.91	2.42	8.71	2.46	8.53	2.49	8.45	2.51	8.37	2.52	8.22	2.55	8.10	2.57		
						7	9.76	2.51	9.55	2.54	9.36	2.58	9.30	2.59	9.19	2.61	9.04	2.64	8.91	2.66		
						10	10.61	2.59	10.39	2.63	10.20	2.66	10.10	2.68	10.02	2.70	9.86	2.73	9.72	2.75		
						15	11.67	2.69	11.44	2.73	11.24	2.77	11.14	2.79	11.05	2.81	10.88	2.84	10.73	2.86		
2500	6800			9300	93%	-15	6.07	2.32	5.88	2.36	5.71	2.39	5.63	2.40	5.56	2.41	5.44	2.44	5.33	2.46		
						-10	7.27	2.44	7.07	2.48	6.89	2.51	6.81	2.53	6.73	2.54	6.59	2.57	6.48	2.59		
						-5	8.47	2.56	8.26	2.60	8.07	2.64	7.98	2.65	7.90	2.67	7.75	2.69	7.62	2.72		
						0	9.68	2.68	9.45	2.72	9.25	2.76	9.16	2.78	9.07	2.79	8.91	2.82	8.77	2.85		
						2	10.16	2.73	9.93	2.77	9.72	2.81	9.63	2.83	9.54	2.84	9.37	2.87	9.23	2.90		
						7	11.12	2.83	10.89	2.87	10.67	2.91	10.60	2.92	10.48	2.94	10.30	2.97	10.15	3.00		
						10	12.09	2.92	11.84	2.96	11.62	3.00	11.52	3.02	11.42	3.04	11.24	3.07	11.08	3.10		
						15	13.30	3.04	13.04	3.08	12.81	3.12	12.70	3.14	12.59	3.16	12.40	3.20	12.23	3.23		
3500	3500			7000	70%	-15	4.58	1.74	4.44	1.77	4.31	1.79	4.25	1.80	4.20	1.81	4.10	1.83	4.02	1.84		
						-10	5.49	1.83	5.33	1.86	5.20	1.88	5.14	1.89	5.08	1.91	4.97	1.92	4.89	1.94		
						-5	6.39	1.92	6.23	1.95	6.09	1.98	6.02	1.99	5.96	2.00	5.85	2.02	5.75	2.04		
						0	7.30	2.01	7.13	2.04	6.98	2.07	6.91	2.08	6.84	2.09	6.72	2.12	6.62	2.13		
						2	7.67	2.05	7.49	2.08	7.34	2.11	7.27	2.12	7.20	2.13	7.07	2.15	6.97	2.17		
						7	8.40	2.12	8.22	2.15	8.05	2.18	8.00	2.19	7.91	2.21	7.78	2.23	7.66	2.25		
						10	9.12	2.19	8.94	2.22	8.77	2.25	8.69	2.27	8.62	2.28	8.48	2.30	8.36	2.33		
						15	10.04	2.28	9.84	2.31	9.67	2.34	9.58	2.36	9.51	2.37	9.36	2.40	9.23	2.42		
3500	5000			8500	85%	-15	5.72	2.17	5.55	2.20	5.39	2.23	5.31	2.24	5.25	2.26	5.13	2.28	5.03	2.30		
						-10	6.86	2.28	6.67	2.32	6.50	2.35	6.42	2.36	6.35	2.38	6.22	2.40	6.11	2.42		
						-5	7.99	2.40	7.79	2.43	7.61	2.46	7.53	2.48	7.45	2.49	7.31	2.52	7.19	2.54		
						0	9.13	2.51	8.92	2.55	8.73	2.58	8.64	2.60	8.56	2.61	8.41	2.64	8.28	2.66		
						2	9.58	2.55	9.37	2.59	9.17	2.63	9.08	2.64	9.00	2.66	8.84	2.68	8.71	2.71		
						7	10.49	2.64	10.27	2.68	10.07	2.72	10.00	2.73	9.88	2.75	9.72	2.78	9.58	2.80		
						10	11.41	2.73	11.17	2.77	10.96	2.81	10.86	2.83	10.77	2.84	10.60	2.87	10.45	2.90		
						15	12.55	2.84	12.31	2.88	12.08	2.92	11.98	2.94	11.88	2.96	11.70	2.99	11.54	3.02		
3500	6800			10300	103%	-15	6.07	2.33	5.88	2.36	5.71	2.39	5.63	2.41	5.56	2.42	5.44	2.45	5.33	2.46		
						-10	7.27	2.45	7.07	2.49	6.89	2.52	6.81	2.54	6.73	2.55	6.59	2.57	6.48	2.60		
						-5	8.47	2.57	8.26	2.61	8.07	2.65	7.98	2.66	7.90	2.68	7.75	2.70	7.62	2.73		
						0	9.68	2.69	9.45	2.73	9.25	2.77	9.16	2.79	9.07	2.80	8.91	2.83	8.77	2.86		
						2	10.16	2.74	9.93	2.78	9.72	2.82	9.63	2.84	9.54	2.85	9.37	2.88	9.23	2.91		
						7	11.12	2.84	10.89	2.88	10.67	2.92	10.60	2.93	10.48	2.95	10.30	2.98	10.15	3.01		
						10	12.09	2.93	11.84	2.97	11.62	3.01	11.52	3.03	11.42	3.05	11.24	3.08	11.08	3.11		
						15	13.30	3.05	13.04	3.09	12.81	3.13	12.70	3.15	12.59	3.17	12.40	3.21	12.23	3.24		

12. Capacity Table

Combination (Capacity Index)				Combination (Total)	Combination (%)	Outdoor Temperature (°C, DB)	Indoor Temperature(°C, DB)													
							14		16		18		20		21		22		24	
							TC(kW)	PI(kW)	TC(kW)	PI(kW)	TC(kW)	PI(kW)	TC(kW)	PI(kW)	TC(kW)	PI(kW)	TC(kW)	PI(kW)	TC(kW)	PI(kW)
5000	5000			10000	100%	-15	6.07	2.32	5.88	2.36	5.71	2.39	5.63	2.40	5.56	2.41	5.44	2.44	5.33	2.46
						-10	7.27	2.44	7.07	2.48	6.89	2.51	6.81	2.53	6.73	2.54	6.59	2.57	6.48	2.59
						-5	8.47	2.56	8.26	2.60	8.07	2.64	7.98	2.65	7.90	2.67	7.75	2.69	7.62	2.72
						0	9.68	2.68	9.45	2.72	9.25	2.76	9.16	2.78	9.07	2.79	8.91	2.82	8.77	2.85
						2	10.16	2.73	9.93	2.77	9.72	2.81	9.63	2.83	9.54	2.84	9.37	2.87	9.23	2.90
						7	11.12	2.83	10.89	2.87	10.67	2.91	10.60	2.92	10.48	2.94	10.30	2.97	10.15	3.00
						10	12.09	2.92	11.84	2.96	11.62	3.00	11.52	3.02	11.42	3.04	11.24	3.07	11.08	3.10
5000	6800			11800	118%	-15	6.07	2.34	5.88	2.37	5.71	2.40	5.63	2.42	5.56	2.43	5.44	2.45	5.33	2.47
						-10	7.27	2.46	7.07	2.50	6.89	2.53	6.81	2.54	6.73	2.56	6.59	2.58	6.48	2.61
						-5	8.47	2.58	8.26	2.62	8.07	2.65	7.98	2.67	7.90	2.69	7.75	2.71	7.62	2.74
						0	9.68	2.70	9.45	2.74	9.25	2.78	9.16	2.80	9.07	2.81	8.91	2.84	8.77	2.87
						2	10.16	2.75	9.93	2.79	9.72	2.83	9.63	2.85	9.54	2.86	9.37	2.89	9.23	2.92
						7	11.12	2.84	10.89	2.89	10.67	2.93	10.60	2.94	10.48	2.96	10.30	2.99	10.15	3.02
						10	12.09	2.94	11.84	2.98	11.62	3.02	11.52	3.04	11.42	3.06	11.24	3.09	11.08	3.12
6800	6800			13600	136%	-15	6.07	2.32	5.88	2.36	5.71	2.39	5.63	2.40	5.56	2.41	5.44	2.44	5.33	2.46
						-10	7.27	2.44	7.07	2.48	6.89	2.51	6.81	2.53	6.73	2.54	6.59	2.57	6.48	2.59
						-5	8.47	2.56	8.26	2.60	8.07	2.64	7.98	2.65	7.90	2.67	7.75	2.69	7.62	2.72
						0	9.68	2.68	9.45	2.72	9.25	2.76	9.16	2.78	9.07	2.79	8.91	2.82	8.77	2.85
						2	10.16	2.73	9.93	2.77	9.72	2.81	9.63	2.83	9.54	2.84	9.37	2.87	9.23	2.90
						7	11.12	2.83	10.89	2.87	10.67	2.91	10.60	2.92	10.48	2.94	10.30	2.97	10.15	3.00
						10	12.09	2.92	11.84	2.96	11.62	3.00	11.52	3.02	11.42	3.04	11.24	3.07	11.08	3.10
2000	2000	2000		6000	60%	-15	3.78	1.37	3.66	1.39	3.55	1.41	3.51	1.41	3.46	1.42	3.38	1.44	3.32	1.45
						-10	4.53	1.44	4.40	1.46	4.29	1.48	4.24	1.49	4.19	1.50	4.10	1.51	4.03	1.52
						-5	5.27	1.51	5.14	1.53	5.02	1.55	4.97	1.56	4.92	1.57	4.83	1.59	4.75	1.60
						0	6.02	1.58	5.89	1.60	5.76	1.63	5.70	1.64	5.65	1.64	5.55	1.66	5.46	1.68
						2	6.32	1.61	6.18	1.63	6.05	1.65	5.99	1.66	5.94	1.67	5.84	1.69	5.75	1.71
						7	6.93	1.66	6.78	1.69	6.64	1.71	6.60	1.72	6.52	1.73	6.42	1.75	6.32	1.77
						10	7.53	1.72	7.37	1.75	7.24	1.77	7.17	1.78	7.11	1.79	7.00	1.81	6.90	1.83
2000	2000	2500		6500	65%	-15	4.41	1.61	4.27	1.64	4.15	1.66	4.09	1.67	4.04	1.68	3.95	1.69	3.87	1.71
						-10	5.28	1.70	5.13	1.72	5.00	1.75	4.94	1.76	4.89	1.77	4.79	1.78	4.70	1.80
						-5	6.15	1.78	6.00	1.81	5.86	1.83	5.80	1.84	5.74	1.85	5.63	1.87	5.54	1.89
						0	7.03	1.87	6.87	1.89	6.72	1.92	6.65	1.93	6.59	1.94	6.47	1.96	6.37	1.98
						2	7.38	1.90	7.21	1.93	7.06	1.95	6.99	1.96	6.93	1.98	6.81	2.00	6.71	2.01
						7	8.08	1.96	7.91	1.99	7.75	2.02	7.70	2.03	7.61	2.04	7.49	2.07	7.38	2.09
						10	8.78	2.03	8.60	2.06	8.44	2.09	8.37	2.10	8.29	2.11	8.16	2.14	8.05	2.16
2000	2000	3500		7500	75%	-15	4.81	1.76	4.66	1.78	4.52	1.81	4.46	1.82	4.41	1.83	4.31	1.84	4.22	1.86
						-10	5.76	1.85	5.60	1.88	5.46	1.90	5.39	1.91	5.33	1.92	5.22	1.94	5.13	1.96
						-5	6.71	1.94	6.54	1.97	6.39	2.00	6.32	2.01	6.26	2.02	6.14	2.04	6.04	2.06
						0	7.67	2.03	7.49	2.06	7.33	2.09	7.26	2.10	7.19	2.11	7.06	2.14	6.95	2.15
						2	8.05	2.07	7.87	2.10	7.71	2.13	7.63	2.14	7.56	2.15	7.43	2.17	7.32	2.19
						7	8.81	2.14	8.63	2.17	8.46	2.20	8.40	2.21	8.30	2.23	8.17	2.25	8.05	2.27
						10	9.58	2.21	9.39	2.24	9.21	2.27	9.13	2.29	9.05	2.30	8.90	2.33	8.78	2.35
15	10.54	2.30	10.34	2.33	10.15	2.36	10.06	2.38	9.98	2.39	9.83	2.42	9.69	2.44						

12. Capacity Table

Combination (Capacity Index)				Combination (Total)	Combination (%)	Outdoor Temperature (°C, DB)	Indoor Temperature(°C, DB)															
							14		16		18		20		21		22		24			
							TC(kW)	PI(kW)	TC(kW)	PI(kW)	TC(kW)	PI(kW)	TC(kW)	PI(kW)	TC(kW)	PI(kW)	TC(kW)	PI(kW)	TC(kW)	PI(kW)		
2000	2000	5000		9000	90%	-15	5.55	2.15	5.37	2.19	5.22	2.21	5.15	2.23	5.08	2.24	4.97	2.26	4.87	2.28		
						-10	6.64	2.27	6.46	2.30	6.30	2.33	6.22	2.34	6.15	2.36	6.03	2.38	5.92	2.40		
						-5	7.74	2.38	7.55	2.41	7.37	2.45	7.29	2.46	7.22	2.48	7.08	2.50	6.97	2.52		
						0	8.85	2.49	8.64	2.53	8.46	2.56	8.37	2.58	8.29	2.59	8.14	2.62	8.02	2.64		
						2	9.29	2.53	9.08	2.57	8.89	2.61	8.80	2.62	8.72	2.64	8.57	2.67	8.44	2.69		
						7	10.17	2.62	9.95	2.66	9.75	2.70	9.69	2.71	9.58	2.73	9.42	2.76	9.28	2.78		
						10	11.05	2.71	10.83	2.75	10.62	2.79	10.53	2.80	10.44	2.82	10.27	2.85	10.13	2.88		
						15	12.16	2.82	11.92	2.86	11.71	2.90	11.61	2.92	11.51	2.94	11.34	2.97	11.18	3.00		
2000	2000	6800		10800	108%	-15	5.64	2.17	5.47	2.20	5.31	2.23	5.24	2.24	5.17	2.26	5.06	2.28	4.96	2.30		
						-10	6.76	2.28	6.57	2.32	6.41	2.35	6.33	2.36	6.26	2.38	6.13	2.40	6.02	2.42		
						-5	7.88	2.40	7.68	2.43	7.50	2.46	7.42	2.48	7.35	2.49	7.21	2.52	7.09	2.54		
						0	9.00	2.51	8.79	2.55	8.60	2.58	8.52	2.60	8.44	2.61	8.29	2.64	8.16	2.66		
						2	9.45	2.55	9.24	2.59	9.04	2.63	8.96	2.64	8.87	2.66	8.72	2.68	8.59	2.71		
						7	10.35	2.64	10.13	2.68	9.93	2.72	9.86	2.73	9.75	2.75	9.59	2.78	9.44	2.80		
						10	11.25	2.73	11.02	2.77	10.81	2.81	10.71	2.83	10.62	2.84	10.45	2.87	10.30	2.90		
						15	12.37	2.84	12.13	2.88	11.91	2.92	11.81	2.94	11.72	2.96	11.54	2.99	11.38	3.02		
2000	2500	2500		7000	70%	-15	5.04	1.89	4.88	1.92	4.74	1.95	4.68	1.96	4.62	1.97	4.51	1.99	4.43	2.00		
						-10	6.03	1.99	5.87	2.02	5.72	2.05	5.65	2.06	5.59	2.07	5.47	2.09	5.38	2.11		
						-5	7.03	2.09	6.86	2.12	6.70	2.15	6.62	2.16	6.56	2.17	6.43	2.20	6.33	2.21		
						0	8.03	2.19	7.85	2.22	7.68	2.25	7.60	2.26	7.53	2.28	7.40	2.30	7.28	2.32		
						2	8.43	2.23	8.24	2.26	8.07	2.29	7.99	2.30	7.92	2.32	7.78	2.34	7.66	2.36		
						7	9.23	2.30	9.04	2.34	8.86	2.37	8.80	2.38	8.70	2.40	8.55	2.42	8.43	2.45		
						10	10.04	2.38	9.83	2.42	9.65	2.45	9.56	2.46	9.48	2.48	9.33	2.50	9.20	2.53		
						15	11.04	2.48	10.83	2.51	10.63	2.55	10.54	2.56	10.46	2.58	10.30	2.61	10.15	2.63		
2000	2500	3500		8000	80%	-15	5.44	2.00	5.27	2.03	5.12	2.06	5.05	2.07	4.98	2.08	4.87	2.10	4.78	2.12		
						-10	6.51	2.11	6.33	2.14	6.17	2.17	6.10	2.18	6.03	2.19	5.91	2.21	5.80	2.23		
						-5	7.59	2.21	7.40	2.25	7.23	2.27	7.15	2.29	7.08	2.30	6.95	2.32	6.83	2.35		
						0	8.67	2.32	8.47	2.35	8.29	2.38	8.21	2.40	8.13	2.41	7.99	2.43	7.86	2.46		
						2	9.10	2.36	8.90	2.39	8.71	2.42	8.63	2.44	8.55	2.45	8.40	2.48	8.27	2.50		
						7	9.97	2.44	9.76	2.47	9.56	2.51	9.50	2.52	9.39	2.54	9.24	2.57	9.10	2.59		
						10	10.84	2.52	10.62	2.56	10.41	2.59	10.32	2.61	10.23	2.62	10.07	2.65	9.93	2.68		
						15	11.92	2.62	11.69	2.66	11.48	2.70	11.38	2.71	11.29	2.73	11.12	2.76	10.96	2.79		
2000	2500	5000		9500	95%	-15	5.60	2.12	5.43	2.15	5.27	2.18	5.20	2.19	5.14	2.21	5.02	2.23	4.92	2.25		
						-10	6.71	2.23	6.53	2.27	6.36	2.30	6.29	2.31	6.21	2.32	6.09	2.35	5.98	2.37		
						-5	7.82	2.34	7.63	2.38	7.45	2.41	7.37	2.42	7.29	2.44	7.16	2.46	7.04	2.48		
						0	8.94	2.45	8.73	2.49	8.54	2.52	8.46	2.54	8.38	2.55	8.23	2.58	8.10	2.60		
						2	9.38	2.50	9.17	2.53	8.98	2.57	8.89	2.58	8.81	2.60	8.66	2.63	8.53	2.65		
						7	10.27	2.58	10.05	2.62	9.86	2.66	9.79	2.67	9.68	2.69	9.52	2.72	9.38	2.74		
						10	11.17	2.67	10.94	2.71	10.73	2.75	10.64	2.76	10.54	2.78	10.38	2.81	10.23	2.84		
						15	12.28	2.78	12.05	2.82	11.83	2.86	11.73	2.87	11.63	2.89	11.45	2.92	11.30	2.95		
2000	2500	6800		11300	113%	-15	5.71	2.17	5.53	2.20	5.37	2.23	5.30	2.24	5.23	2.26	5.11	2.28	5.01	2.30		
						-10	6.84	2.28	6.65	2.32	6.48	2.35	6.40	2.36	6.33	2.38	6.20	2.40	6.09	2.42		
						-5	7.97	2.40	7.77	2.43	7.59	2.46	7.51	2.48	7.43	2.49	7.29	2.52	7.17	2.54		
						0	9.10	2.51	8.89	2.55	8.70	2.58	8.61	2.60	8.53	2.61	8.38	2.64	8.25	2.66		
						2	9.55	2.55	9.34	2.59	9.15	2.63	9.06	2.64	8.97	2.66	8.82	2.68	8.68	2.71		
						7	10.46	2.64	10.24	2.68	10.04	2.72	9.97	2.73	9.85	2.75	9.69	2.78	9.55	2.80		
						10	11.37	2.73	11.14	2.77	10.93	2.81	10.83	2.83	10.74	2.84	10.57	2.87	10.42	2.90		
						15	12.51	2.84	12.27	2.88	12.05	2.92	11.94	2.94	11.85	2.96	11.66	2.99	11.50	3.02		

12. Capacity Table

Combination (Capacity Index)				Combination (Total)	Combination (%)	Outdoor Temperature (°C, DB)	Indoor Temperature(°C, DB)													
							14		16		18		20		21		22		24	
							TC(kW)	PI(kW)	TC(kW)	PI(kW)	TC(kW)	PI(kW)	TC(kW)	PI(kW)	TC(kW)	PI(kW)	TC(kW)	PI(kW)	TC(kW)	PI(kW)
2000	3500	3500	9000	90%	-15	5.54	2.15	5.36	2.18	5.21	2.21	5.14	2.22	5.07	2.23	4.96	2.25	4.86	2.27	
					-10	6.63	2.26	6.45	2.29	6.28	2.32	6.21	2.34	6.14	2.35	6.01	2.37	5.91	2.39	
					-5	7.73	2.37	7.53	2.41	7.36	2.44	7.28	2.45	7.20	2.47	7.07	2.49	6.95	2.51	
					0	8.83	2.48	8.62	2.52	8.44	2.55	8.35	2.57	8.27	2.58	8.13	2.61	8.00	2.63	
					2	9.27	2.53	9.06	2.56	8.87	2.60	8.78	2.61	8.70	2.63	8.55	2.66	8.42	2.68	
					7	10.15	2.61	9.93	2.65	9.73	2.69	9.67	2.70	9.56	2.72	9.40	2.75	9.26	2.77	
					10	11.03	2.70	10.81	2.74	10.60	2.78	10.51	2.79	10.42	2.81	10.25	2.84	10.10	2.87	
2000	3500	5000	10500	105%	-15	5.64	2.16	5.47	2.19	5.31	2.22	5.24	2.24	5.17	2.25	5.06	2.27	4.96	2.29	
					-10	6.76	2.28	6.57	2.31	6.41	2.34	6.33	2.35	6.26	2.37	6.13	2.39	6.02	2.41	
					-5	7.88	2.39	7.68	2.42	7.50	2.46	7.42	2.47	7.35	2.48	7.21	2.51	7.09	2.53	
					0	9.00	2.50	8.79	2.54	8.60	2.57	8.52	2.59	8.44	2.60	8.29	2.63	8.16	2.65	
					2	9.45	2.54	9.24	2.58	9.04	2.62	8.96	2.63	8.87	2.65	8.72	2.67	8.59	2.70	
					7	10.35	2.63	10.13	2.67	9.93	2.71	9.86	2.72	9.75	2.74	9.59	2.77	9.44	2.79	
					10	11.25	2.72	11.02	2.76	10.81	2.80	10.71	2.82	10.62	2.83	10.45	2.86	10.30	2.89	
2000	3500	6800	12300	123%	-15	5.75	2.21	5.57	2.24	5.41	2.27	5.33	2.29	5.27	2.30	5.15	2.32	5.05	2.34	
					-10	6.88	2.33	6.69	2.36	6.52	2.39	6.45	2.41	6.37	2.42	6.24	2.44	6.13	2.46	
					-5	8.02	2.44	7.82	2.48	7.64	2.51	7.56	2.52	7.48	2.54	7.34	2.56	7.22	2.59	
					0	9.16	2.55	8.95	2.59	8.76	2.63	8.67	2.64	8.59	2.66	8.44	2.69	8.31	2.71	
					2	9.62	2.60	9.41	2.64	9.21	2.67	9.12	2.69	9.03	2.71	8.88	2.73	8.74	2.76	
					7	10.54	2.69	10.31	2.73	10.11	2.77	10.04	2.78	9.92	2.80	9.76	2.83	9.62	2.86	
					10	11.45	2.78	11.22	2.82	11.01	2.86	10.91	2.88	10.81	2.89	10.64	2.93	10.49	2.95	
2000	5000	5000	12000	120%	-15	5.76	2.21	5.58	2.24	5.42	2.27	5.35	2.29	5.28	2.30	5.16	2.32	5.06	2.34	
					-10	6.90	2.33	6.71	2.36	6.54	2.39	6.46	2.41	6.39	2.42	6.26	2.44	6.15	2.46	
					-5	8.04	2.44	7.84	2.48	7.66	2.51	7.57	2.52	7.50	2.54	7.35	2.56	7.23	2.59	
					0	9.18	2.55	8.97	2.59	8.78	2.63	8.69	2.64	8.61	2.66	8.46	2.69	8.33	2.71	
					2	9.64	2.60	9.42	2.64	9.23	2.67	9.14	2.69	9.05	2.71	8.90	2.73	8.76	2.76	
					7	10.56	2.69	10.33	2.73	10.13	2.77	10.06	2.78	9.94	2.80	9.78	2.83	9.64	2.86	
					10	11.47	2.78	11.24	2.82	11.03	2.86	10.93	2.88	10.84	2.89	10.66	2.93	10.51	2.95	
2000	5000	6800	13800	138%	-15	6.19	2.29	5.99	2.32	5.82	2.35	5.74	2.37	5.67	2.38	5.54	2.40	5.44	2.42	
					-10	7.41	2.41	7.21	2.45	7.02	2.48	6.94	2.49	6.86	2.51	6.72	2.53	6.60	2.55	
					-5	8.64	2.53	8.42	2.57	8.23	2.60	8.14	2.62	8.05	2.63	7.90	2.66	7.77	2.68	
					0	9.87	2.65	9.64	2.69	9.43	2.72	9.34	2.74	9.25	2.75	9.09	2.78	8.95	2.81	
					2	10.36	2.69	10.13	2.73	9.92	2.77	9.82	2.79	9.73	2.80	9.56	2.83	9.42	2.86	
					7	11.34	2.79	11.10	2.83	10.88	2.87	10.81	2.88	10.68	2.90	10.51	2.93	10.35	2.96	
					10	12.33	2.88	12.08	2.92	11.85	2.96	11.74	2.98	11.64	3.00	11.46	3.03	11.30	3.06	
2000	6800	6800	15600	156%	-15	6.30	2.35	6.10	2.38	5.92	2.41	5.85	2.43	5.77	2.44	5.64	2.46	5.53	2.48	
					-10	7.54	2.47	7.33	2.50	7.15	2.54	7.06	2.55	6.98	2.57	6.84	2.59	6.72	2.61	
					-5	8.79	2.59	8.57	2.63	8.37	2.66	8.28	2.68	8.20	2.69	8.04	2.72	7.91	2.75	
					0	10.04	2.71	9.81	2.75	9.60	2.79	9.50	2.80	9.41	2.82	9.25	2.85	9.10	2.88	
					2	10.54	2.76	10.30	2.80	10.09	2.84	9.99	2.85	9.90	2.87	9.73	2.90	9.58	2.93	
					7	11.54	2.85	11.30	2.90	11.07	2.94	11.00	2.95	10.87	2.97	10.69	3.00	10.54	3.03	
					10	12.55	2.95	12.29	2.99	12.06	3.03	11.95	3.05	11.85	3.07	11.66	3.10	11.49	3.13	
15	13.80	3.07	13.54	3.11	13.29	3.16	13.18	3.18	13.07	3.19	12.87	3.23	12.69	3.26						

12. Capacity Table

Combination (Capacity Index)				Combination (Total)	Combination (%)	Outdoor Temperature (°C,DB)	Indoor Temperature(°C, DB)															
							14		16		18		20		21		22		24			
							TC(kW)	PI(kW)	TC(kW)	PI(kW)	TC(kW)	PI(kW)	TC(kW)	PI(kW)	TC(kW)	PI(kW)	TC(kW)	PI(kW)	TC(kW)	PI(kW)		
2500	2500	2500		7500	75%	-15	5.51	2.11	5.34	2.14	5.19	2.17	5.12	2.18	5.05	2.19	4.94	2.21	4.84	2.23		
						-10	6.60	2.22	6.42	2.25	6.26	2.28	6.18	2.29	6.11	2.31	5.99	2.33	5.88	2.35		
						-5	7.70	2.33	7.50	2.36	7.33	2.39	7.25	2.41	7.18	2.42	7.04	2.44	6.93	2.47		
						0	8.79	2.44	8.59	2.47	8.40	2.50	8.32	2.52	8.24	2.53	8.09	2.56	7.97	2.58		
						2	9.23	2.48	9.02	2.52	8.83	2.55	8.75	2.56	8.67	2.58	8.52	2.61	8.39	2.63		
						7	10.11	2.56	9.89	2.60	9.69	2.64	9.63	2.65	9.52	2.67	9.36	2.70	9.22	2.72		
						10	10.98	2.65	10.76	2.69	10.56	2.73	10.46	2.74	10.37	2.76	10.21	2.79	10.06	2.81		
						15	12.08	2.76	11.85	2.80	11.64	2.84	11.54	2.85	11.44	2.87	11.27	2.90	11.11	2.93		
2500	2500	3500		8500	85%	-15	5.55	2.04	5.38	2.07	5.22	2.09	5.15	2.10	5.09	2.12	4.97	2.14	4.88	2.15		
						-10	6.65	2.14	6.47	2.17	6.30	2.20	6.23	2.22	6.16	2.23	6.03	2.25	5.93	2.27		
						-5	7.75	2.25	7.56	2.28	7.38	2.31	7.30	2.32	7.23	2.34	7.09	2.36	6.98	2.38		
						0	8.85	2.35	8.65	2.39	8.46	2.42	8.38	2.43	8.30	2.45	8.15	2.47	8.03	2.50		
						2	9.30	2.39	9.09	2.43	8.90	2.46	8.81	2.48	8.73	2.49	8.58	2.52	8.45	2.54		
						7	10.18	2.48	9.96	2.51	9.76	2.55	9.70	2.56	9.59	2.58	9.43	2.61	9.29	2.63		
						10	11.06	2.56	10.84	2.60	10.63	2.63	10.54	2.65	10.45	2.67	10.28	2.69	10.14	2.72		
						15	12.17	2.66	11.94	2.70	11.72	2.74	11.62	2.76	11.53	2.77	11.35	2.80	11.19	2.83		
2500	2500	5000		10000	100%	-15	5.66	2.19	5.48	2.23	5.33	2.26	5.26	2.27	5.19	2.28	5.07	2.30	4.97	2.32		
						-10	6.78	2.31	6.59	2.34	6.43	2.37	6.35	2.39	6.28	2.40	6.15	2.43	6.04	2.45		
						-5	7.90	2.42	7.71	2.46	7.53	2.49	7.45	2.51	7.37	2.52	7.23	2.55	7.11	2.57		
						0	9.03	2.54	8.82	2.57	8.63	2.61	8.54	2.62	8.46	2.64	8.31	2.67	8.18	2.69		
						2	9.48	2.58	9.26	2.62	9.07	2.65	8.98	2.67	8.90	2.69	8.75	2.71	8.61	2.74		
						7	10.38	2.67	10.16	2.71	9.96	2.75	9.89	2.76	9.78	2.78	9.61	2.81	9.47	2.84		
						10	11.28	2.76	11.05	2.80	10.84	2.84	10.74	2.86	10.65	2.87	10.48	2.90	10.33	2.93		
						15	12.41	2.87	12.17	2.91	11.95	2.95	11.85	2.97	11.75	2.99	11.57	3.02	11.41	3.05		
2500	2500	6800		11800	118%	-15	6.10	2.24	5.91	2.28	5.74	2.30	5.66	2.32	5.59	2.33	5.46	2.35	5.36	2.37		
						-10	7.30	2.36	7.10	2.39	6.92	2.43	6.84	2.44	6.76	2.45	6.62	2.48	6.51	2.50		
						-5	8.51	2.48	8.30	2.51	8.11	2.55	8.02	2.56	7.93	2.58	7.79	2.60	7.66	2.62		
						0	9.72	2.59	9.50	2.63	9.29	2.66	9.20	2.68	9.11	2.70	8.95	2.72	8.81	2.75		
						2	10.21	2.64	9.98	2.68	9.77	2.71	9.67	2.73	9.58	2.74	9.42	2.77	9.28	2.80		
						7	11.18	2.73	10.94	2.77	10.72	2.81	10.65	2.82	10.53	2.84	10.35	2.87	10.20	2.90		
						10	12.15	2.82	11.90	2.86	11.68	2.90	11.57	2.92	11.47	2.94	11.29	2.97	11.13	3.00		
						15	13.36	2.93	13.11	2.98	12.87	3.02	12.76	3.04	12.65	3.05	12.46	3.09	12.29	3.12		
2500	3500	3500		9500	95%	-15	5.59	2.11	5.42	2.15	5.26	2.17	5.19	2.19	5.13	2.20	5.01	2.22	4.91	2.24		
						-10	6.70	2.23	6.51	2.26	6.35	2.29	6.27	2.30	6.20	2.31	6.08	2.34	5.97	2.36		
						-5	7.81	2.34	7.61	2.37	7.44	2.40	7.36	2.42	7.28	2.43	7.14	2.45	7.03	2.48		
						0	8.92	2.44	8.71	2.48	8.53	2.51	8.44	2.53	8.36	2.54	8.21	2.57	8.09	2.59		
						2	9.36	2.49	9.15	2.52	8.96	2.56	8.87	2.57	8.79	2.59	8.64	2.62	8.51	2.64		
						7	10.25	2.57	10.03	2.61	9.84	2.65	9.77	2.66	9.66	2.68	9.50	2.71	9.36	2.73		
						10	11.14	2.66	10.92	2.70	10.71	2.74	10.61	2.75	10.52	2.77	10.36	2.80	10.21	2.83		
						15	12.26	2.77	12.02	2.81	11.81	2.85	11.70	2.86	11.61	2.88	11.43	2.91	11.27	2.94		
2500	3500	5000		11000	110%	-15	5.71	2.16	5.53	2.19	5.37	2.22	5.30	2.24	5.23	2.25	5.11	2.27	5.01	2.29		
						-10	6.84	2.28	6.65	2.31	6.48	2.34	6.40	2.35	6.33	2.37	6.20	2.39	6.09	2.41		
						-5	7.97	2.39	7.77	2.42	7.59	2.46	7.51	2.47	7.43	2.48	7.29	2.51	7.17	2.53		
						0	9.10	2.50	8.89	2.54	8.70	2.57	8.61	2.59	8.53	2.60	8.38	2.63	8.25	2.65		
						2	9.55	2.54	9.34	2.58	9.15	2.62	9.06	2.63	8.97	2.65	8.82	2.67	8.68	2.70		
						7	10.46	2.63	10.24	2.67	10.04	2.71	9.97	2.72	9.85	2.74	9.69	2.77	9.55	2.79		
						10	11.37	2.72	11.14	2.76	10.93	2.80	10.83	2.82	10.74	2.83	10.57	2.86	10.42	2.89		
						15	12.51	2.83	12.27	2.87	12.05	2.91	11.94	2.93	11.85	2.95	11.66	2.98	11.50	3.01		

12. Capacity Table

Combination (Capacity Index)				Combination (Total)	Combination (%)	Outdoor Temperature (°C, DB)	Indoor Temperature(°C, DB)													
							14		16		18		20		21		22		24	
							TC(kW)	PI(kW)	TC(kW)	PI(kW)	TC(kW)	PI(kW)	TC(kW)	PI(kW)	TC(kW)	PI(kW)	TC(kW)	PI(kW)	TC(kW)	PI(kW)
2500	3500	6800		12800	128%	-15	6.14	2.25	5.94	2.28	5.77	2.31	5.70	2.33	5.62	2.34	5.50	2.36	5.39	2.38
						-10	7.35	2.37	7.15	2.40	6.97	2.43	6.88	2.45	6.80	2.46	6.67	2.49	6.55	2.51
						-5	8.57	2.48	8.35	2.52	8.16	2.55	8.07	2.57	7.99	2.58	7.84	2.61	7.71	2.63
						0	9.79	2.60	9.56	2.64	9.35	2.67	9.26	2.69	9.17	2.71	9.01	2.73	8.87	2.76
						2	10.27	2.65	10.04	2.69	9.83	2.72	9.74	2.74	9.65	2.75	9.48	2.78	9.34	2.81
						7	11.25	2.74	11.01	2.78	10.79	2.82	10.72	2.83	10.60	2.85	10.42	2.88	10.27	2.91
						10	12.23	2.83	11.98	2.87	11.75	2.91	11.65	2.93	11.55	2.95	11.36	2.98	11.20	3.01
2500	5000	5000		12500	125%	-15	6.15	2.24	5.96	2.28	5.78	2.30	5.71	2.32	5.63	2.33	5.51	2.35	5.40	2.37
						-10	7.36	2.36	7.16	2.39	6.98	2.43	6.90	2.44	6.82	2.45	6.68	2.48	6.56	2.50
						-5	8.58	2.48	8.37	2.51	8.17	2.55	8.09	2.56	8.00	2.58	7.85	2.60	7.72	2.62
						0	9.80	2.59	9.58	2.63	9.37	2.66	9.28	2.68	9.19	2.70	9.03	2.72	8.89	2.75
						2	10.29	2.64	10.06	2.68	9.85	2.71	9.76	2.73	9.66	2.74	9.50	2.77	9.35	2.80
						7	11.27	2.73	11.03	2.77	10.81	2.81	10.74	2.82	10.62	2.84	10.44	2.87	10.29	2.90
						10	12.25	2.82	12.00	2.86	11.77	2.90	11.67	2.92	11.57	2.94	11.38	2.97	11.22	3.00
2500	5000	6800		14300	143%	-15	6.30	2.33	6.10	2.36	5.92	2.39	5.85	2.41	5.77	2.42	5.64	2.45	5.53	2.46
						-10	7.54	2.45	7.33	2.49	7.15	2.52	7.06	2.54	6.98	2.55	6.84	2.57	6.72	2.60
						-5	8.79	2.57	8.57	2.61	8.37	2.65	8.28	2.66	8.20	2.68	8.04	2.70	7.91	2.73
						0	10.04	2.69	9.81	2.73	9.60	2.77	9.50	2.79	9.41	2.80	9.25	2.83	9.10	2.86
						2	10.54	2.74	10.30	2.78	10.09	2.82	9.99	2.84	9.90	2.85	9.73	2.88	9.58	2.91
						7	11.54	2.84	11.30	2.88	11.07	2.92	11.00	2.93	10.87	2.95	10.69	2.98	10.54	3.01
						10	12.55	2.93	12.29	2.97	12.06	3.01	11.95	3.03	11.85	3.05	11.66	3.08	11.49	3.11
2500	6800	6800		16100	161%	-15	6.30	2.38	6.10	2.41	5.92	2.44	5.85	2.46	5.77	2.47	5.64	2.50	5.53	2.52
						-10	7.54	2.50	7.33	2.54	7.15	2.57	7.06	2.59	6.98	2.60	6.84	2.63	6.72	2.65
						-5	8.79	2.62	8.57	2.66	8.37	2.70	8.28	2.72	8.20	2.73	8.04	2.76	7.91	2.78
						0	10.04	2.75	9.81	2.79	9.60	2.83	9.50	2.84	9.41	2.86	9.25	2.89	9.10	2.91
						2	10.54	2.80	10.30	2.84	10.09	2.88	9.99	2.89	9.90	2.91	9.73	2.94	9.58	2.97
						7	11.54	2.89	11.30	2.94	11.07	2.98	11.00	2.99	10.87	3.01	10.69	3.04	10.54	3.07
						10	12.55	2.99	12.29	3.03	12.06	3.08	11.95	3.09	11.85	3.11	11.66	3.15	11.49	3.18
3500	3500	3500		10500	105%	-15	5.63	2.15	5.46	2.19	5.30	2.21	5.23	2.23	5.16	2.24	5.05	2.26	4.95	2.28
						-10	6.75	2.27	6.56	2.30	6.39	2.33	6.32	2.34	6.25	2.36	6.12	2.38	6.01	2.40
						-5	7.86	2.38	7.67	2.41	7.49	2.45	7.41	2.46	7.33	2.48	7.19	2.50	7.08	2.52
						0	8.98	2.49	8.77	2.53	8.59	2.56	8.50	2.58	8.42	2.59	8.27	2.62	8.14	2.64
						2	9.43	2.53	9.22	2.57	9.03	2.61	8.94	2.62	8.85	2.64	8.70	2.67	8.57	2.69
						7	10.33	2.62	10.11	2.66	9.91	2.70	9.84	2.71	9.73	2.73	9.57	2.76	9.43	2.78
						10	11.22	2.71	11.00	2.75	10.79	2.79	10.69	2.80	10.60	2.82	10.43	2.85	10.28	2.88
3500	3500	5000		12000	120%	-15	5.75	2.20	5.57	2.23	5.41	2.26	5.33	2.28	5.27	2.29	5.15	2.31	5.05	2.33
						-10	6.88	2.32	6.69	2.35	6.52	2.38	6.45	2.40	6.37	2.41	6.24	2.43	6.13	2.45
						-5	8.02	2.43	7.82	2.47	7.64	2.50	7.56	2.52	7.48	2.53	7.34	2.56	7.22	2.58
						0	9.16	2.55	8.95	2.58	8.76	2.62	8.67	2.63	8.59	2.65	8.44	2.68	8.31	2.70
						2	9.62	2.59	9.41	2.63	9.21	2.66	9.12	2.68	9.03	2.70	8.88	2.72	8.74	2.75
						7	10.54	2.68	10.31	2.72	10.11	2.76	10.04	2.77	9.92	2.79	9.76	2.82	9.62	2.85
						10	11.45	2.77	11.22	2.81	11.01	2.85	10.91	2.87	10.81	2.88	10.64	2.91	10.49	2.94
15	12.60	2.88	12.35	2.92	12.13	2.96	12.03	2.98	11.93	3.00	11.75	3.03	11.58	3.06						

12. Capacity Table

Combination (Capacity Index)				Combination (Total)	Combination (%)	Outdoor Temperature (°C,DB)	Indoor Temperature(°C, DB)															
							14		16		18		20		21		22		24			
							TC(kW)	PI(kW)	TC(kW)	PI(kW)	TC(kW)	PI(kW)	TC(kW)	PI(kW)	TC(kW)	PI(kW)	TC(kW)	PI(kW)	TC(kW)	PI(kW)		
3500	3500	6800		13800	138%	-15	6.18	2.28	5.98	2.32	5.81	2.35	5.73	2.36	5.66	2.37	5.53	2.40	5.43	2.41		
						-10	7.40	2.40	7.19	2.44	7.01	2.47	6.93	2.48	6.85	2.50	6.71	2.52	6.59	2.54		
						-5	8.62	2.52	8.41	2.56	8.21	2.59	8.12	2.61	8.04	2.62	7.89	2.65	7.76	2.67		
						0	9.85	2.64	9.62	2.68	9.42	2.71	9.32	2.73	9.23	2.74	9.07	2.77	8.93	2.80		
						2	10.34	2.68	10.11	2.72	9.90	2.76	9.80	2.78	9.71	2.79	9.54	2.82	9.40	2.85		
						7	11.32	2.78	11.08	2.82	10.86	2.86	10.79	2.87	10.66	2.89	10.49	2.92	10.34	2.95		
						10	12.31	2.87	12.06	2.91	11.83	2.95	11.72	2.97	11.62	2.99	11.44	3.02	11.27	3.05		
						15	13.54	2.98	13.28	3.03	13.04	3.07	12.93	3.09	12.82	3.11	12.62	3.14	12.45	3.17		
3500	5000	5000		13500	135%	-15	6.18	2.28	5.99	2.32	5.82	2.35	5.74	2.36	5.67	2.37	5.54	2.40	5.43	2.41		
						-10	7.41	2.40	7.20	2.44	7.02	2.47	6.93	2.48	6.86	2.50	6.72	2.52	6.60	2.54		
						-5	8.63	2.52	8.41	2.56	8.22	2.59	8.13	2.61	8.05	2.62	7.90	2.65	7.77	2.67		
						0	9.86	2.64	9.63	2.68	9.42	2.71	9.33	2.73	9.24	2.74	9.08	2.77	8.94	2.80		
						2	10.35	2.68	10.12	2.72	9.91	2.76	9.81	2.78	9.72	2.79	9.55	2.82	9.41	2.85		
						7	11.33	2.78	11.09	2.82	10.87	2.86	10.80	2.87	10.67	2.89	10.50	2.92	10.35	2.95		
						10	12.32	2.87	12.07	2.91	11.84	2.95	11.73	2.97	11.63	2.99	11.45	3.02	11.29	3.05		
						15	13.55	2.98	13.29	3.03	13.05	3.07	12.94	3.09	12.83	3.11	12.64	3.14	12.46	3.17		
3500	5000	6800		15300	153%	-15	6.30	2.33	6.10	2.36	5.92	2.39	5.85	2.41	5.77	2.42	5.64	2.45	5.53	2.46		
						-10	7.54	2.45	7.33	2.49	7.15	2.52	7.06	2.54	6.98	2.55	6.84	2.57	6.72	2.60		
						-5	8.79	2.57	8.57	2.61	8.37	2.65	8.28	2.66	8.20	2.68	8.04	2.70	7.91	2.73		
						0	10.04	2.69	9.81	2.73	9.60	2.77	9.50	2.79	9.41	2.80	9.25	2.83	9.10	2.86		
						2	10.54	2.74	10.30	2.78	10.09	2.82	9.99	2.84	9.90	2.85	9.73	2.88	9.58	2.91		
						7	11.54	2.84	11.30	2.88	11.07	2.92	11.00	2.93	10.87	2.95	10.69	2.98	10.54	3.01		
						10	12.55	2.93	12.29	2.97	12.06	3.01	11.95	3.03	11.85	3.05	11.66	3.08	11.49	3.11		
						15	13.80	3.05	13.54	3.09	13.29	3.13	13.18	3.15	13.07	3.17	12.87	3.21	12.69	3.24		
3500	6800	6800		17100	171%	-15	6.30	2.42	6.10	2.45	5.92	2.48	5.85	2.50	5.77	2.51	5.64	2.54	5.53	2.56		
						-10	7.54	2.54	7.33	2.58	7.15	2.61	7.06	2.63	6.98	2.65	6.84	2.67	6.72	2.69		
						-5	8.79	2.67	8.57	2.71	8.37	2.74	8.28	2.76	8.20	2.78	8.04	2.80	7.91	2.83		
						0	10.04	2.79	9.81	2.84	9.60	2.87	9.50	2.89	9.41	2.91	9.25	2.94	9.10	2.96		
						2	10.54	2.84	10.30	2.89	10.09	2.92	9.99	2.94	9.90	2.96	9.73	2.99	9.58	3.02		
						7	11.54	2.94	11.30	2.99	11.07	3.03	11.00	3.04	10.87	3.06	10.69	3.09	10.54	3.12		
						10	12.55	3.04	12.29	3.09	12.06	3.13	11.95	3.15	11.85	3.16	11.66	3.20	11.49	3.23		
						15	13.80	3.16	13.54	3.21	13.29	3.25	13.18	3.27	13.07	3.29	12.87	3.33	12.69	3.36		
5000	5000	5000		15000	150%	-15	6.30	2.33	6.10	2.36	5.92	2.39	5.85	2.41	5.77	2.42	5.64	2.45	5.53	2.46		
						-10	7.54	2.45	7.33	2.49	7.15	2.52	7.06	2.54	6.98	2.55	6.84	2.57	6.72	2.60		
						-5	8.79	2.57	8.57	2.61	8.37	2.65	8.28	2.66	8.20	2.68	8.04	2.70	7.91	2.73		
						0	10.04	2.69	9.81	2.73	9.60	2.77	9.50	2.79	9.41	2.80	9.25	2.83	9.10	2.86		
						2	10.54	2.74	10.30	2.78	10.09	2.82	9.99	2.84	9.90	2.85	9.73	2.88	9.58	2.91		
						7	11.54	2.84	11.30	2.88	11.07	2.92	11.00	2.93	10.87	2.95	10.69	2.98	10.54	3.01		
						10	12.55	2.93	12.29	2.97	12.06	3.01	11.95	3.03	11.85	3.05	11.66	3.08	11.49	3.11		
						15	13.80	3.05	13.54	3.09	13.29	3.13	13.18	3.15	13.07	3.17	12.87	3.21	12.69	3.24		
5000	5000	6800		16800	168%	-15	6.30	2.42	6.10	2.45	5.92	2.48	5.77	2.51	5.70	2.53	5.64	2.54	5.53	2.56		
						-10	7.54	2.54	7.33	2.58	7.15	2.61	6.98	2.65	6.91	2.66	6.84	2.67	6.72	2.69		
						-5	8.79	2.67	8.57	2.71	8.37	2.74	8.20	2.78	8.12	2.79	8.04	2.80	7.91	2.83		
						0	10.04	2.79	9.81	2.84	9.60	2.87	9.41	2.91	9.33	2.92	9.25	2.94	9.10	2.96		
						2	10.54	2.84	10.30	2.89	10.09	2.92	9.90	2.96	9.81	2.97	9.73	2.99	9.58	3.02		
						7	11.79	2.97	11.55	3.01	11.32	3.05	11.00	3.04	11.02	3.10	10.93	3.12	10.78	3.15		
						10	12.55	3.04	12.29	3.09	12.06	3.13	11.85	3.16	11.75	3.18	11.66	3.20	11.49	3.23		
						15	13.80	3.16	13.54	3.21	13.29	3.25	13.07	3.29	12.97	3.31	12.87	3.33	12.69	3.36		

12. Capacity Table

Combination (Capacity Index)				Combination (Total)	Combination (%)	Outdoor Temperature (°C, DB)	Indoor Temperature(°C, DB)													
							14		16		18		20		21		22		24	
							TC(kW)	PI(kW)	TC(kW)	PI(kW)	TC(kW)	PI(kW)	TC(kW)	PI(kW)	TC(kW)	PI(kW)	TC(kW)	PI(kW)	TC(kW)	PI(kW)
2000	2000	2000	2000	8000	80%	-15	5.04	1.78	4.88	1.81	4.74	1.83	4.68	1.84	4.62	1.85	4.51	1.87	4.43	1.88
						-10	6.03	1.87	5.87	1.90	5.72	1.93	5.65	1.94	5.59	1.95	5.47	1.97	5.38	1.98
						-5	7.03	1.97	6.86	2.00	6.70	2.02	6.62	2.03	6.56	2.05	6.43	2.07	6.33	2.08
						0	8.03	2.06	7.85	2.09	7.68	2.12	7.60	2.13	7.53	2.14	7.40	2.16	7.28	2.18
						2	8.43	2.09	8.24	2.13	8.07	2.15	7.99	2.17	7.92	2.18	7.78	2.20	7.66	2.22
						7	9.23	2.17	9.04	2.20	8.86	2.23	8.80	2.24	8.70	2.26	8.55	2.28	8.43	2.30
						10	10.04	2.24	9.83	2.27	9.65	2.30	9.56	2.32	9.48	2.33	9.33	2.36	9.20	2.38
2000	2000	2000	2500	8500	85%	-15	5.51	2.03	5.34	2.06	5.19	2.08	5.12	2.10	5.05	2.11	4.94	2.13	4.84	2.15
						-10	6.60	2.13	6.42	2.17	6.26	2.19	6.18	2.21	6.11	2.22	5.99	2.24	5.88	2.26
						-5	7.70	2.24	7.50	2.27	7.33	2.30	7.25	2.32	7.18	2.33	7.04	2.35	6.93	2.37
						0	8.79	2.34	8.59	2.38	8.40	2.41	8.32	2.42	8.24	2.44	8.09	2.46	7.97	2.49
						2	9.23	2.38	9.02	2.42	8.83	2.45	8.75	2.47	8.67	2.48	8.52	2.51	8.39	2.53
						7	10.11	2.47	9.89	2.50	9.69	2.54	9.63	2.55	9.52	2.57	9.36	2.60	9.22	2.62
						10	10.98	2.55	10.76	2.59	10.56	2.62	10.46	2.64	10.37	2.65	10.21	2.68	10.06	2.71
2000	2000	2000	3500	9500	95%	-15	5.55	2.17	5.37	2.20	5.22	2.23	5.15	2.24	5.08	2.26	4.97	2.28	4.87	2.30
						-10	6.64	2.28	6.46	2.32	6.30	2.35	6.22	2.36	6.15	2.38	6.03	2.40	5.92	2.42
						-5	7.74	2.40	7.55	2.43	7.37	2.46	7.29	2.48	7.22	2.49	7.08	2.52	6.97	2.54
						0	8.85	2.51	8.64	2.55	8.46	2.58	8.37	2.60	8.29	2.61	8.14	2.64	8.02	2.66
						2	9.29	2.55	9.08	2.59	8.89	2.63	8.80	2.64	8.72	2.66	8.57	2.68	8.44	2.71
						7	10.17	2.64	9.95	2.68	9.75	2.72	9.69	2.73	9.58	2.75	9.42	2.78	9.28	2.80
						10	11.05	2.73	10.83	2.77	10.62	2.81	10.53	2.83	10.44	2.84	10.27	2.87	10.13	2.90
2000	2000	2000	5000	11000	110%	-15	5.67	2.18	5.49	2.21	5.33	2.24	5.26	2.25	5.19	2.26	5.08	2.29	4.98	2.31
						-10	6.79	2.29	6.60	2.33	6.43	2.36	6.36	2.37	6.28	2.38	6.16	2.41	6.05	2.43
						-5	7.91	2.41	7.71	2.44	7.53	2.47	7.45	2.49	7.38	2.50	7.24	2.53	7.12	2.55
						0	9.04	2.52	8.83	2.56	8.64	2.59	8.55	2.61	8.47	2.62	8.32	2.65	8.19	2.67
						2	9.49	2.56	9.27	2.60	9.08	2.64	8.99	2.65	8.91	2.67	8.76	2.69	8.62	2.72
						7	10.39	2.65	10.17	2.69	9.97	2.73	9.90	2.74	9.79	2.76	9.62	2.79	9.48	2.82
						10	11.29	2.74	11.06	2.78	10.85	2.82	10.76	2.84	10.66	2.85	10.49	2.88	10.34	2.91
2000	2000	2000	6800	12800	128%	-15	6.10	2.23	5.91	2.27	5.74	2.30	5.66	2.31	5.59	2.32	5.47	2.35	5.36	2.36
						-10	7.31	2.35	7.11	2.39	6.93	2.42	6.84	2.43	6.77	2.44	6.63	2.47	6.51	2.49
						-5	8.52	2.47	8.31	2.50	8.11	2.54	8.03	2.55	7.94	2.57	7.79	2.59	7.67	2.61
						0	9.73	2.58	9.51	2.62	9.30	2.66	9.21	2.67	9.12	2.69	8.96	2.71	8.82	2.74
						2	10.22	2.63	9.99	2.67	9.78	2.70	9.68	2.72	9.59	2.73	9.43	2.76	9.28	2.79
						7	11.19	2.72	10.95	2.76	10.73	2.80	10.66	2.81	10.54	2.83	10.36	2.86	10.21	2.89
						10	12.16	2.81	11.91	2.85	11.69	2.89	11.58	2.91	11.48	2.93	11.30	2.96	11.14	2.98
2000	2000	2500	2500	9000	90%	-15	5.58	2.06	5.40	2.09	5.25	2.12	5.18	2.13	5.11	2.14	4.99	2.16	4.90	2.18
						-10	6.68	2.17	6.49	2.20	6.33	2.23	6.25	2.24	6.18	2.25	6.06	2.28	5.95	2.29
						-5	7.78	2.27	7.59	2.31	7.41	2.34	7.33	2.35	7.26	2.37	7.12	2.39	7.00	2.41
						0	8.89	2.38	8.69	2.42	8.50	2.45	8.41	2.46	8.33	2.48	8.19	2.50	8.06	2.52
						2	9.33	2.42	9.12	2.46	8.93	2.49	8.85	2.51	8.76	2.52	8.61	2.55	8.48	2.57
						7	10.22	2.51	10.00	2.54	9.81	2.58	9.74	2.59	9.63	2.61	9.47	2.64	9.33	2.66
						10	11.11	2.59	10.88	2.63	10.68	2.66	10.58	2.68	10.49	2.70	10.32	2.73	10.18	2.75
15	12.22	2.69	11.99	2.73	11.77	2.77	11.67	2.79	11.57	2.81	11.40	2.84	11.24	2.86						

12. Capacity Table

Combination (Capacity Index)				Combination (Total)	Combination (%)	Outdoor Temperature (°C,DB)	Indoor Temperature(°C, DB)															
							14		16		18		20		21		22		24			
							TC(kW)	PI(kW)	TC(kW)	PI(kW)	TC(kW)	PI(kW)	TC(kW)	PI(kW)	TC(kW)	PI(kW)	TC(kW)	PI(kW)	TC(kW)	PI(kW)		
2000	2000	2500	3500	10000	100%	-15	5.60	2.13	5.43	2.16	5.27	2.19	5.20	2.20	5.14	2.22	5.02	2.24	4.92	2.25		
						-10	6.71	2.24	6.53	2.28	6.36	2.31	6.29	2.32	6.21	2.33	6.09	2.35	5.98	2.37		
						-5	7.82	2.35	7.63	2.39	7.45	2.42	7.37	2.43	7.29	2.45	7.16	2.47	7.04	2.49		
						0	8.94	2.46	8.73	2.50	8.54	2.53	8.46	2.55	8.38	2.56	8.23	2.59	8.10	2.61		
						2	9.38	2.51	9.17	2.54	8.98	2.58	8.89	2.59	8.81	2.61	8.66	2.64	8.53	2.66		
						7	10.27	2.59	10.05	2.63	9.86	2.67	9.79	2.68	9.68	2.70	9.52	2.73	9.38	2.75		
						10	11.17	2.68	10.94	2.72	10.73	2.76	10.64	2.77	10.54	2.79	10.38	2.82	10.23	2.85		
						15	12.28	2.79	12.05	2.83	11.83	2.87	11.73	2.89	11.63	2.90	11.45	2.93	11.30	2.96		
2000	2000	2500	5000	11500	115%	-15	5.73	2.18	5.55	2.21	5.39	2.24	5.32	2.25	5.25	2.26	5.13	2.29	5.03	2.31		
						-10	6.86	2.29	6.67	2.33	6.50	2.36	6.43	2.37	6.35	2.38	6.22	2.41	6.12	2.43		
						-5	8.00	2.41	7.80	2.44	7.62	2.47	7.54	2.49	7.46	2.50	7.32	2.53	7.20	2.55		
						0	9.14	2.52	8.93	2.56	8.73	2.59	8.65	2.61	8.56	2.62	8.41	2.65	8.28	2.67		
						2	9.59	2.56	9.38	2.60	9.18	2.64	9.09	2.65	9.01	2.67	8.85	2.69	8.72	2.72		
						7	10.50	2.65	10.28	2.69	10.08	2.73	10.01	2.74	9.89	2.76	9.73	2.79	9.59	2.82		
						10	11.42	2.74	11.19	2.78	10.97	2.82	10.88	2.84	10.78	2.85	10.61	2.88	10.46	2.91		
						15	12.56	2.85	12.32	2.89	12.10	2.93	11.99	2.95	11.89	2.97	11.71	3.00	11.55	3.03		
2000	2000	2500	6800	13300	133%	-15	6.16	2.27	5.97	2.30	5.80	2.33	5.72	2.34	5.65	2.36	5.52	2.38	5.41	2.40		
						-10	7.38	2.38	7.17	2.42	6.99	2.45	6.91	2.47	6.83	2.48	6.69	2.50	6.57	2.53		
						-5	8.60	2.50	8.38	2.54	8.19	2.57	8.10	2.59	8.02	2.60	7.87	2.63	7.74	2.65		
						0	9.82	2.62	9.59	2.66	9.39	2.69	9.29	2.71	9.21	2.73	9.04	2.75	8.90	2.78		
						2	10.31	2.67	10.08	2.71	9.87	2.74	9.77	2.76	9.68	2.77	9.52	2.80	9.37	2.83		
						7	11.29	2.76	11.05	2.80	10.83	2.84	10.76	2.85	10.64	2.87	10.46	2.90	10.31	2.93		
						10	12.27	2.85	12.02	2.89	11.80	2.93	11.69	2.95	11.59	2.97	11.41	3.00	11.24	3.03		
						15	13.50	2.96	13.24	3.01	13.00	3.05	12.89	3.07	12.78	3.09	12.59	3.12	12.42	3.15		
2000	2000	3500	3500	11000	110%	-15	5.66	2.17	5.48	2.20	5.32	2.23	5.25	2.24	5.18	2.26	5.07	2.28	4.97	2.30		
						-10	6.78	2.28	6.59	2.32	6.42	2.35	6.34	2.36	6.27	2.38	6.14	2.40	6.04	2.42		
						-5	7.90	2.40	7.70	2.43	7.52	2.46	7.44	2.48	7.36	2.49	7.22	2.52	7.11	2.54		
						0	9.02	2.51	8.81	2.55	8.62	2.58	8.53	2.60	8.45	2.61	8.30	2.64	8.18	2.66		
						2	9.47	2.55	9.26	2.59	9.06	2.63	8.97	2.64	8.89	2.66	8.74	2.68	8.61	2.71		
						7	10.37	2.64	10.15	2.68	9.95	2.72	9.88	2.73	9.77	2.75	9.60	2.78	9.46	2.80		
						10	11.27	2.73	11.04	2.77	10.83	2.81	10.73	2.83	10.64	2.84	10.47	2.87	10.32	2.90		
						15	12.40	2.84	12.16	2.88	11.94	2.92	11.84	2.94	11.74	2.96	11.56	2.99	11.40	3.02		
2000	2000	3500	5000	12500	125%	-15	6.10	2.22	5.91	2.25	5.74	2.28	5.66	2.29	5.59	2.31	5.47	2.33	5.36	2.35		
						-10	7.31	2.33	7.11	2.37	6.93	2.40	6.84	2.41	6.77	2.43	6.63	2.45	6.51	2.47		
						-5	8.52	2.45	8.31	2.49	8.11	2.52	8.03	2.53	7.94	2.55	7.79	2.57	7.67	2.60		
						0	9.73	2.56	9.51	2.60	9.30	2.64	9.21	2.65	9.12	2.67	8.96	2.70	8.82	2.72		
						2	10.22	2.61	9.99	2.65	9.78	2.68	9.68	2.70	9.59	2.72	9.43	2.74	9.28	2.77		
						7	11.19	2.70	10.95	2.74	10.73	2.78	10.66	2.79	10.54	2.81	10.36	2.84	10.21	2.87		
						10	12.16	2.79	11.91	2.83	11.69	2.87	11.58	2.89	11.48	2.90	11.30	2.94	11.14	2.96		
						15	13.38	2.90	13.12	2.95	12.88	2.99	12.77	3.00	12.67	3.02	12.47	3.05	12.30	3.08		
2000	2000	3500	6800	14300	143%	-15	6.19	2.31	6.00	2.34	5.83	2.37	5.75	2.38	5.68	2.40	5.55	2.42	5.44	2.44		
						-10	7.42	2.43	7.21	2.46	7.03	2.49	6.95	2.51	6.87	2.52	6.73	2.55	6.61	2.57		
						-5	8.65	2.55	8.43	2.58	8.23	2.62	8.15	2.63	8.06	2.65	7.91	2.68	7.78	2.70		
						0	9.88	2.66	9.65	2.70	9.44	2.74	9.35	2.76	9.26	2.77	9.09	2.80	8.95	2.83		
						2	10.37	2.71	10.14	2.75	9.92	2.79	9.83	2.81	9.74	2.82	9.57	2.85	9.42	2.88		
						7	11.35	2.81	11.11	2.85	10.89	2.89	10.82	2.90	10.69	2.92	10.52	2.95	10.36	2.98		
						10	12.34	2.90	12.09	2.94	11.86	2.98	11.76	3.00	11.65	3.02	11.47	3.05	11.31	3.08		
						15	13.58	3.02	13.31	3.06	13.07	3.10	12.96	3.12	12.86	3.14	12.66	3.18	12.48	3.21		

12. Capacity Table

Combination (Capacity Index)				Combination (Total)	Combination (%)	Outdoor Temperature (°C, DB)	Indoor Temperature(°C, DB)													
							14		16		18		20		21		22		24	
							TC(kW)	PI(kW)	TC(kW)	PI(kW)	TC(kW)	PI(kW)	TC(kW)	PI(kW)	TC(kW)	PI(kW)	TC(kW)	PI(kW)	TC(kW)	PI(kW)
2000	2000	5000	5000	14000	140%	-15	6.22	2.30	6.02	2.33	5.85	2.36	5.77	2.38	5.70	2.39	5.57	2.41	5.46	2.43
						-10	7.45	2.42	7.24	2.45	7.06	2.49	6.97	2.50	6.89	2.51	6.75	2.54	6.63	2.56
						-5	8.68	2.54	8.46	2.57	8.27	2.61	8.18	2.62	8.09	2.64	7.94	2.67	7.81	2.69
						0	9.91	2.66	9.68	2.70	9.48	2.73	9.38	2.75	9.29	2.76	9.13	2.79	8.99	2.82
						2	10.41	2.70	10.17	2.74	9.96	2.78	9.86	2.80	9.77	2.81	9.60	2.84	9.46	2.87
						7	11.40	2.80	11.15	2.84	10.93	2.88	10.86	2.89	10.73	2.91	10.56	2.94	10.40	2.97
						10	12.39	2.89	12.14	2.93	11.91	2.97	11.80	2.99	11.70	3.01	11.51	3.04	11.35	3.07
						15	13.63	3.01	13.36	3.05	13.12	3.09	13.01	3.11	12.90	3.13	12.71	3.16	12.53	3.19
2000	2000	5000	6800	15800	158%	-15	6.30	2.35	6.10	2.39	5.92	2.42	5.85	2.43	5.77	2.45	5.64	2.47	5.53	2.49
						-10	7.54	2.48	7.33	2.51	7.15	2.55	7.06	2.56	6.98	2.58	6.84	2.60	6.72	2.62
						-5	8.79	2.60	8.57	2.64	8.37	2.67	8.28	2.69	8.20	2.70	8.04	2.73	7.91	2.75
						0	10.04	2.72	9.81	2.76	9.60	2.80	9.50	2.81	9.41	2.83	9.25	2.86	9.10	2.89
						2	10.54	2.77	10.30	2.81	10.09	2.85	9.99	2.86	9.90	2.88	9.73	2.91	9.58	2.94
						7	11.54	2.86	11.30	2.91	11.07	2.95	11.00	2.96	10.87	2.98	10.69	3.01	10.54	3.04
						10	12.55	2.96	12.29	3.00	12.06	3.04	11.95	3.06	11.85	3.08	11.66	3.11	11.49	3.14
						15	13.80	3.08	13.54	3.12	13.29	3.17	13.18	3.19	13.07	3.21	12.87	3.24	12.69	3.27
2000	2500	2500	2500	9500	95%	-15	5.64	2.16	5.47	2.19	5.31	2.22	5.24	2.24	5.17	2.25	5.06	2.27	4.96	2.29
						-10	6.76	2.28	6.57	2.31	6.41	2.34	6.33	2.35	6.26	2.37	6.13	2.39	6.02	2.41
						-5	7.88	2.39	7.68	2.42	7.50	2.46	7.42	2.47	7.35	2.48	7.21	2.51	7.09	2.53
						0	9.00	2.50	8.79	2.54	8.60	2.57	8.52	2.59	8.44	2.60	8.29	2.63	8.16	2.65
						2	9.45	2.54	9.24	2.58	9.04	2.62	8.96	2.63	8.87	2.65	8.72	2.67	8.59	2.70
						7	10.35	2.63	10.13	2.67	9.93	2.71	9.86	2.72	9.75	2.74	9.59	2.77	9.44	2.79
						10	11.25	2.72	11.02	2.76	10.81	2.80	10.71	2.82	10.62	2.83	10.45	2.86	10.30	2.89
						15	12.37	2.83	12.13	2.87	11.91	2.91	11.81	2.93	11.72	2.95	11.54	2.98	11.38	3.01
2000	2500	2500	3500	10500	105%	-15	5.68	2.20	5.51	2.23	5.35	2.26	5.28	2.28	5.21	2.29	5.09	2.31	4.99	2.33
						-10	6.81	2.32	6.62	2.35	6.45	2.38	6.38	2.40	6.30	2.41	6.17	2.43	6.07	2.45
						-5	7.94	2.43	7.74	2.47	7.56	2.50	7.48	2.52	7.40	2.53	7.26	2.56	7.14	2.58
						0	9.06	2.55	8.85	2.58	8.67	2.62	8.58	2.63	8.50	2.65	8.35	2.68	8.22	2.70
						2	9.52	2.59	9.30	2.63	9.11	2.66	9.02	2.68	8.94	2.70	8.78	2.72	8.65	2.75
						7	10.42	2.68	10.20	2.72	10.00	2.76	9.93	2.77	9.81	2.79	9.65	2.82	9.51	2.85
						10	11.33	2.77	11.10	2.81	10.89	2.85	10.79	2.87	10.70	2.88	10.53	2.91	10.38	2.94
						15	12.46	2.88	12.22	2.92	12.00	2.96	11.90	2.98	11.80	3.00	11.62	3.03	11.46	3.06
2000	2500	2500	5000	12000	120%	-15	6.11	2.25	5.92	2.28	5.75	2.31	5.67	2.33	5.60	2.34	5.48	2.36	5.37	2.38
						-10	7.32	2.37	7.12	2.40	6.94	2.43	6.86	2.45	6.78	2.46	6.64	2.49	6.52	2.51
						-5	8.54	2.48	8.32	2.52	8.13	2.55	8.04	2.57	7.96	2.58	7.81	2.61	7.68	2.63
						0	9.75	2.60	9.52	2.64	9.32	2.67	9.23	2.69	9.14	2.71	8.98	2.73	8.84	2.76
						2	10.23	2.65	10.00	2.69	9.80	2.72	9.70	2.74	9.61	2.75	9.45	2.78	9.30	2.81
						7	11.21	2.74	10.97	2.78	10.75	2.82	10.68	2.83	10.56	2.85	10.38	2.88	10.23	2.91
						10	12.18	2.83	11.93	2.87	11.71	2.91	11.60	2.93	11.50	2.95	11.32	2.98	11.16	3.01
						15	13.40	2.94	13.14	2.99	12.91	3.03	12.79	3.05	12.69	3.07	12.50	3.10	12.32	3.13
2000	2500	2500	6800	13800	138%	-15	6.22	2.34	6.02	2.37	5.85	2.40	5.77	2.42	5.70	2.43	5.57	2.45	5.46	2.47
						-10	7.45	2.46	7.24	2.50	7.06	2.53	6.97	2.54	6.89	2.56	6.75	2.58	6.63	2.61
						-5	8.68	2.58	8.46	2.62	8.27	2.65	8.18	2.67	8.09	2.69	7.94	2.71	7.81	2.74
						0	9.91	2.70	9.68	2.74	9.48	2.78	9.38	2.80	9.29	2.81	9.13	2.84	8.99	2.87
						2	10.41	2.75	10.17	2.79	9.96	2.83	9.86	2.85	9.77	2.86	9.60	2.89	9.46	2.92
						7	11.40	2.84	11.15	2.89	10.93	2.93	10.86	2.94	10.73	2.96	10.56	2.99	10.40	3.02
						10	12.39	2.94	12.14	2.98	11.91	3.02	11.80	3.04	11.70	3.06	11.51	3.09	11.35	3.12
						15	13.63	3.06	13.36	3.10	13.12	3.15	13.01	3.17	12.90	3.18	12.71	3.22	12.53	3.25

12. Capacity Table

Combination (Capacity Index)				Combination (Total)	Combination (%)	Outdoor Temperature (°C, DB)	Indoor Temperature(°C, DB)															
							14		16		18		20		21		22		24			
							TC(kW)	PI(kW)	TC(kW)	PI(kW)	TC(kW)	PI(kW)	TC(kW)	PI(kW)	TC(kW)	PI(kW)	TC(kW)	PI(kW)	TC(kW)	PI(kW)		
2000	2500	3500	3500	11500	115%	-15	5.72	2.17	5.54	2.20	5.38	2.23	5.31	2.24	5.24	2.26	5.12	2.28	5.02	2.30		
						-10	6.85	2.28	6.66	2.32	6.49	2.35	6.41	2.36	6.34	2.38	6.21	2.40	6.10	2.42		
						-5	7.98	2.40	7.78	2.43	7.60	2.46	7.52	2.48	7.44	2.49	7.30	2.52	7.18	2.54		
						0	9.12	2.51	8.91	2.55	8.72	2.58	8.63	2.60	8.55	2.61	8.40	2.64	8.27	2.66		
						2	9.57	2.55	9.36	2.59	9.16	2.63	9.07	2.64	8.99	2.66	8.83	2.68	8.70	2.71		
						7	10.48	2.64	10.26	2.68	10.06	2.72	9.99	2.73	9.87	2.75	9.71	2.78	9.57	2.80		
						10	11.39	2.73	11.16	2.77	10.95	2.81	10.85	2.83	10.76	2.84	10.59	2.87	10.44	2.90		
						15	12.54	2.84	12.29	2.88	12.07	2.92	11.97	2.94	11.87	2.96	11.69	2.99	11.53	3.02		
2000	2500	3500	5000	13000	130%	-15	6.17	2.26	5.97	2.29	5.80	2.32	5.72	2.33	5.65	2.35	5.52	2.37	5.42	2.39		
						-10	7.39	2.38	7.18	2.41	7.00	2.44	6.91	2.46	6.84	2.47	6.70	2.50	6.58	2.52		
						-5	8.61	2.49	8.39	2.53	8.20	2.56	8.11	2.58	8.02	2.59	7.87	2.62	7.75	2.64		
						0	9.83	2.61	9.60	2.65	9.40	2.68	9.30	2.70	9.21	2.72	9.05	2.74	8.91	2.77		
						2	10.32	2.66	10.09	2.70	9.88	2.73	9.78	2.75	9.69	2.76	9.52	2.79	9.38	2.82		
						7	11.30	2.75	11.06	2.79	10.84	2.83	10.77	2.84	10.65	2.86	10.47	2.89	10.32	2.92		
						10	12.28	2.84	12.03	2.88	11.81	2.92	11.70	2.94	11.60	2.96	11.42	2.99	11.25	3.02		
						15	13.51	2.95	13.25	3.00	13.01	3.04	12.90	3.06	12.80	3.08	12.60	3.11	12.43	3.14		
2000	2500	3500	6800	14800	148%	-15	6.30	2.34	6.10	2.37	5.92	2.40	5.85	2.42	5.77	2.43	5.64	2.45	5.53	2.47		
						-10	7.54	2.46	7.33	2.50	7.15	2.53	7.06	2.54	6.98	2.56	6.84	2.58	6.72	2.61		
						-5	8.79	2.58	8.57	2.62	8.37	2.65	8.28	2.67	8.20	2.69	8.04	2.71	7.91	2.74		
						0	10.04	2.70	9.81	2.74	9.60	2.78	9.50	2.80	9.41	2.81	9.25	2.84	9.10	2.87		
						2	10.54	2.75	10.30	2.79	10.09	2.83	9.99	2.85	9.90	2.86	9.73	2.89	9.58	2.92		
						7	11.54	2.84	11.30	2.89	11.07	2.93	11.00	2.94	10.87	2.96	10.69	2.99	10.54	3.02		
						10	12.55	2.94	12.29	2.98	12.06	3.02	11.95	3.04	11.85	3.06	11.66	3.09	11.49	3.12		
						15	13.80	3.06	13.54	3.10	13.29	3.15	13.18	3.17	13.07	3.18	12.87	3.22	12.69	3.25		
2000	2500	5000	5000	14500	145%	-15	6.30	2.34	6.10	2.37	5.92	2.40	5.85	2.42	5.77	2.43	5.64	2.45	5.53	2.47		
						-10	7.54	2.46	7.33	2.50	7.15	2.53	7.06	2.54	6.98	2.56	6.84	2.58	6.72	2.61		
						-5	8.79	2.58	8.57	2.62	8.37	2.65	8.28	2.67	8.20	2.69	8.04	2.71	7.91	2.74		
						0	10.04	2.70	9.81	2.74	9.60	2.78	9.50	2.80	9.41	2.81	9.25	2.84	9.10	2.87		
						2	10.54	2.75	10.30	2.79	10.09	2.83	9.99	2.85	9.90	2.86	9.73	2.89	9.58	2.92		
						7	11.54	2.84	11.30	2.89	11.07	2.93	11.00	2.94	10.87	2.96	10.69	2.99	10.54	3.02		
						10	12.55	2.94	12.29	2.98	12.06	3.02	11.95	3.04	11.85	3.06	11.66	3.09	11.49	3.12		
						15	13.80	3.06	13.54	3.10	13.29	3.15	13.18	3.17	13.07	3.18	12.87	3.22	12.69	3.25		
2000	2500	5000	6800	16300	163%	-15	6.30	2.39	6.10	2.42	5.92	2.45	5.85	2.47	5.77	2.48	5.64	2.50	5.53	2.52		
						-10	7.54	2.51	7.33	2.55	7.15	2.58	7.06	2.60	6.98	2.61	6.84	2.64	6.72	2.66		
						-5	8.79	2.63	8.57	2.67	8.37	2.71	8.28	2.72	8.20	2.74	8.04	2.77	7.91	2.79		
						0	10.04	2.76	9.81	2.80	9.60	2.84	9.50	2.85	9.41	2.87	9.25	2.90	9.10	2.92		
						2	10.54	2.81	10.30	2.85	10.09	2.89	9.99	2.90	9.90	2.92	9.73	2.95	9.58	2.98		
						7	11.54	2.90	11.30	2.95	11.07	2.99	11.00	3.00	10.87	3.02	10.69	3.05	10.54	3.08		
						10	12.55	3.00	12.29	3.04	12.06	3.09	11.95	3.10	11.85	3.12	11.66	3.16	11.49	3.19		
						15	13.80	3.12	13.54	3.17	13.29	3.21	13.18	3.23	13.07	3.25	12.87	3.28	12.69	3.32		
2000	3500	3500	3500	12500	125%	-15	5.75	2.21	5.57	2.24	5.41	2.27	5.34	2.29	5.27	2.30	5.15	2.32	5.05	2.34		
						-10	6.89	2.33	6.70	2.36	6.53	2.39	6.45	2.41	6.38	2.42	6.25	2.44	6.14	2.46		
						-5	8.03	2.44	7.83	2.48	7.65	2.51	7.57	2.52	7.49	2.54	7.35	2.56	7.23	2.59		
						0	9.17	2.55	8.96	2.59	8.77	2.63	8.68	2.64	8.60	2.66	8.45	2.69	8.32	2.71		
						2	9.63	2.60	9.41	2.64	9.22	2.67	9.13	2.69	9.04	2.71	8.89	2.73	8.75	2.76		
						7	10.55	2.69	10.32	2.73	10.12	2.77	10.05	2.78	9.93	2.80	9.77	2.83	9.63	2.86		
						10	11.46	2.78	11.23	2.82	11.02	2.86	10.92	2.88	10.82	2.89	10.65	2.93	10.50	2.95		
						15	12.61	2.89	12.37	2.93	12.14	2.97	12.04	2.99	11.94	3.01	11.76	3.04	11.60	3.07		

12. Capacity Table

Combination (Capacity Index)				Combination (Total)	Combination (%)	Outdoor Temperature (°C, DB)	Indoor Temperature(°C, DB)													
							14		16		18		20		21		22		24	
							TC(kW)	PI(kW)	TC(kW)	PI(kW)	TC(kW)	PI(kW)	TC(kW)	PI(kW)	TC(kW)	PI(kW)	TC(kW)	PI(kW)	TC(kW)	PI(kW)
2000	3500	3500	5000	14000	140%	-15	6.19	2.29	6.00	2.32	5.83	2.35	5.75	2.37	5.68	2.38	5.55	2.40	5.44	2.42
						-10	7.42	2.41	7.21	2.45	7.03	2.48	6.95	2.49	6.87	2.51	6.73	2.53	6.61	2.55
						-5	8.65	2.53	8.43	2.57	8.23	2.60	8.15	2.62	8.06	2.63	7.91	2.66	7.78	2.68
						0	9.88	2.65	9.65	2.69	9.44	2.72	9.35	2.74	9.26	2.75	9.09	2.78	8.95	2.81
						2	10.37	2.69	10.14	2.73	9.92	2.77	9.83	2.79	9.74	2.80	9.57	2.83	9.42	2.86
						7	11.35	2.79	11.11	2.83	10.89	2.87	10.82	2.88	10.69	2.90	10.52	2.93	10.36	2.96
						10	12.34	2.88	12.09	2.92	11.86	2.96	11.76	2.98	11.65	3.00	11.47	3.03	11.31	3.06
						15	13.58	3.00	13.31	3.04	13.07	3.08	12.96	3.10	12.86	3.12	12.66	3.15	12.48	3.18
2000	3500	3500	6800	15800	158%	-15	6.30	2.35	6.10	2.38	5.92	2.41	5.85	2.43	5.77	2.44	5.64	2.46	5.53	2.48
						-10	7.54	2.47	7.33	2.50	7.15	2.54	7.06	2.55	6.98	2.57	6.84	2.59	6.72	2.61
						-5	8.79	2.59	8.57	2.63	8.37	2.66	8.28	2.68	8.20	2.69	8.04	2.72	7.91	2.75
						0	10.04	2.71	9.81	2.75	9.60	2.79	9.50	2.80	9.41	2.82	9.25	2.85	9.10	2.88
						2	10.54	2.76	10.30	2.80	10.09	2.84	9.99	2.85	9.90	2.87	9.73	2.90	9.58	2.93
						7	11.54	2.85	11.30	2.90	11.07	2.94	11.00	2.95	10.87	2.97	10.69	3.00	10.54	3.03
						10	12.55	2.95	12.29	2.99	12.06	3.03	11.95	3.05	11.85	3.07	11.66	3.10	11.49	3.13
						15	13.80	3.07	13.54	3.11	13.29	3.16	13.18	3.18	13.07	3.19	12.87	3.23	12.69	3.26
2000	3500	5000	5000	15500	155%	-15	6.30	2.34	6.10	2.37	5.92	2.40	5.85	2.42	5.77	2.43	5.64	2.45	5.53	2.47
						-10	7.54	2.46	7.33	2.50	7.15	2.53	7.06	2.54	6.98	2.56	6.84	2.58	6.72	2.61
						-5	8.79	2.58	8.57	2.62	8.37	2.65	8.28	2.67	8.20	2.69	8.04	2.71	7.91	2.74
						0	10.04	2.70	9.81	2.74	9.60	2.78	9.50	2.80	9.41	2.81	9.25	2.84	9.10	2.87
						2	10.54	2.75	10.30	2.79	10.09	2.83	9.99	2.85	9.90	2.86	9.73	2.89	9.58	2.92
						7	11.54	2.84	11.30	2.89	11.07	2.93	11.00	2.94	10.87	2.96	10.69	2.99	10.54	3.02
						10	12.55	2.94	12.29	2.98	12.06	3.02	11.95	3.04	11.85	3.06	11.66	3.09	11.49	3.12
						15	13.80	3.06	13.54	3.10	13.29	3.15	13.18	3.17	13.07	3.18	12.87	3.22	12.69	3.25
2000	3500	5000	6800	17300	173%	-15	6.30	2.42	6.10	2.46	5.92	2.49	5.85	2.51	5.77	2.52	5.64	2.55	5.53	2.57
						-10	7.54	2.55	7.33	2.59	7.15	2.62	7.06	2.64	6.98	2.65	6.84	2.68	6.72	2.70
						-5	8.79	2.68	8.57	2.72	8.37	2.75	8.28	2.77	8.20	2.79	8.04	2.81	7.91	2.84
						0	10.04	2.80	9.81	2.84	9.60	2.88	9.50	2.90	9.41	2.92	9.25	2.95	9.10	2.97
						2	10.54	2.85	10.30	2.89	10.09	2.93	9.99	2.95	9.90	2.97	9.73	3.00	9.58	3.03
						7	11.54	2.95	11.30	3.00	11.07	3.04	11.00	3.05	10.87	3.07	10.69	3.10	10.54	3.13
						10	12.55	3.05	12.29	3.10	12.06	3.14	11.95	3.16	11.85	3.18	11.66	3.21	11.49	3.24
						15	13.80	3.17	13.54	3.22	13.29	3.26	13.18	3.28	13.07	3.30	12.87	3.34	12.69	3.37
2000	5000	5000	5000	17000	170%	-15	6.30	2.42	6.10	2.46	5.92	2.49	5.85	2.51	5.77	2.52	5.64	2.55	5.53	2.57
						-10	7.54	2.55	7.33	2.59	7.15	2.62	7.06	2.64	6.98	2.65	6.84	2.68	6.72	2.70
						-5	8.79	2.68	8.57	2.72	8.37	2.75	8.28	2.77	8.20	2.79	8.04	2.81	7.91	2.84
						0	10.04	2.80	9.81	2.84	9.60	2.88	9.50	2.90	9.41	2.92	9.25	2.95	9.10	2.97
						2	10.54	2.85	10.30	2.89	10.09	2.93	9.99	2.95	9.90	2.97	9.73	3.00	9.58	3.03
						7	11.54	2.95	11.30	3.00	11.07	3.04	11.00	3.05	10.87	3.07	10.69	3.10	10.54	3.13
						10	12.55	3.05	12.29	3.10	12.06	3.14	11.95	3.16	11.85	3.18	11.66	3.21	11.49	3.24
						15	13.80	3.17	13.54	3.22	13.29	3.26	13.18	3.28	13.07	3.30	12.87	3.34	12.69	3.37
2500	2500	2500	2500	10000	100%	-15	5.70	2.23	5.52	2.27	5.36	2.30	5.29	2.31	5.23	2.32	5.11	2.35	5.01	2.36
						-10	6.83	2.35	6.64	2.39	6.47	2.42	6.39	2.43	6.32	2.44	6.19	2.47	6.08	2.49
						-5	7.96	2.47	7.76	2.50	7.58	2.54	7.50	2.55	7.42	2.57	7.28	2.59	7.16	2.61
						0	9.09	2.58	8.88	2.62	8.69	2.66	8.60	2.67	8.52	2.69	8.37	2.71	8.24	2.74
						2	9.54	2.63	9.33	2.67	9.14	2.70	9.05	2.72	8.96	2.73	8.81	2.76	8.67	2.79
						7	10.45	2.72	10.23	2.76	10.03	2.80	9.96	2.81	9.84	2.83	9.68	2.86	9.54	2.89
						10	11.36	2.81	11.13	2.85	10.92	2.89	10.82	2.91	10.73	2.93	10.56	2.96	10.41	2.98
						15	12.50	2.92	12.26	2.97	12.04	3.01	11.93	3.03	11.83	3.04	11.65	3.08	11.49	3.11

12. Capacity Table

Combination (Capacity Index)				Combination (Total)	Combination (%)	Outdoor Temperature (°C,DB)	Indoor Temperature(°C, DB)															
							14		16		18		20		21		22		24			
							TC(kW)	PI(kW)	TC(kW)	PI(kW)	TC(kW)	PI(kW)	TC(kW)	PI(kW)	TC(kW)	PI(kW)	TC(kW)	PI(kW)	TC(kW)	PI(kW)		
2500	2500	2500	3500	11000	110%	-15	5.74	2.20	5.56	2.23	5.40	2.26	5.32	2.28	5.26	2.29	5.14	2.31	5.04	2.33		
						-10	6.87	2.32	6.68	2.35	6.51	2.38	6.43	2.40	6.36	2.41	6.23	2.43	6.12	2.45		
						-5	8.01	2.43	7.81	2.47	7.63	2.50	7.54	2.52	7.47	2.53	7.33	2.56	7.21	2.58		
						0	9.15	2.55	8.93	2.58	8.74	2.62	8.66	2.63	8.57	2.65	8.42	2.68	8.29	2.70		
						2	9.60	2.59	9.39	2.63	9.19	2.66	9.10	2.68	9.02	2.70	8.86	2.72	8.73	2.75		
						7	10.51	2.68	10.29	2.72	10.09	2.76	10.02	2.77	9.90	2.79	9.74	2.82	9.60	2.85		
						10	11.43	2.77	11.20	2.81	10.98	2.85	10.89	2.87	10.79	2.88	10.62	2.91	10.47	2.94		
						15	12.57	2.88	12.33	2.92	12.11	2.96	12.00	2.98	11.91	3.00	11.72	3.03	11.56	3.06		
2500	2500	2500	5000	12500	125%	-15	6.18	2.28	5.99	2.32	5.82	2.35	5.74	2.36	5.67	2.37	5.54	2.40	5.43	2.41		
						-10	7.41	2.40	7.20	2.44	7.02	2.47	6.93	2.48	6.86	2.50	6.72	2.52	6.60	2.54		
						-5	8.63	2.52	8.41	2.56	8.22	2.59	8.13	2.61	8.05	2.62	7.90	2.65	7.77	2.67		
						0	9.86	2.64	9.63	2.68	9.42	2.71	9.33	2.73	9.24	2.74	9.08	2.77	8.94	2.80		
						2	10.35	2.68	10.12	2.72	9.91	2.76	9.81	2.78	9.72	2.79	9.55	2.82	9.41	2.85		
						7	11.33	2.78	11.09	2.82	10.87	2.86	10.80	2.87	10.67	2.89	10.50	2.92	10.35	2.95		
						10	12.32	2.87	12.07	2.91	11.84	2.95	11.73	2.97	11.63	2.99	11.45	3.02	11.29	3.05		
						15	13.55	2.98	13.29	3.03	13.05	3.07	12.94	3.09	12.83	3.11	12.64	3.14	12.46	3.17		
2500	2500	2500	6800	14300	143%	-15	6.30	2.34	6.10	2.37	5.92	2.40	5.85	2.42	5.77	2.43	5.64	2.45	5.53	2.47		
						-10	7.54	2.46	7.33	2.50	7.15	2.53	7.06	2.54	6.98	2.56	6.84	2.58	6.72	2.61		
						-5	8.79	2.58	8.57	2.62	8.37	2.65	8.28	2.67	8.20	2.69	8.04	2.71	7.91	2.74		
						0	10.04	2.70	9.81	2.74	9.60	2.78	9.50	2.80	9.41	2.81	9.25	2.84	9.10	2.87		
						2	10.54	2.75	10.30	2.79	10.09	2.83	9.99	2.85	9.90	2.86	9.73	2.89	9.58	2.92		
						7	11.54	2.84	11.30	2.89	11.07	2.93	11.00	2.94	10.87	2.96	10.69	2.99	10.54	3.02		
						10	12.55	2.94	12.29	2.98	12.06	3.02	11.95	3.04	11.85	3.06	11.66	3.09	11.49	3.12		
						15	13.80	3.06	13.54	3.10	13.29	3.15	13.18	3.17	13.07	3.18	12.87	3.22	12.69	3.25		
2500	2500	3500	3500	12000	120%	-15	6.10	2.24	5.91	2.28	5.74	2.30	5.66	2.32	5.59	2.33	5.47	2.35	5.36	2.37		
						-10	7.31	2.36	7.11	2.39	6.93	2.43	6.84	2.44	6.77	2.45	6.63	2.48	6.51	2.50		
						-5	8.52	2.48	8.31	2.51	8.11	2.55	8.03	2.56	7.94	2.58	7.79	2.60	7.67	2.62		
						0	9.73	2.59	9.51	2.63	9.30	2.66	9.21	2.68	9.12	2.70	8.96	2.72	8.82	2.75		
						2	10.22	2.64	9.99	2.68	9.78	2.71	9.68	2.73	9.59	2.74	9.43	2.77	9.28	2.80		
						7	11.19	2.73	10.95	2.77	10.73	2.81	10.66	2.82	10.54	2.84	10.36	2.87	10.21	2.90		
						10	12.16	2.82	11.91	2.86	11.69	2.90	11.58	2.92	11.48	2.94	11.30	2.97	11.14	3.00		
						15	13.38	2.93	13.12	2.98	12.88	3.02	12.77	3.04	12.67	3.05	12.47	3.09	12.30	3.12		
2500	2500	3500	5000	13500	135%	-15	6.22	2.32	6.03	2.36	5.85	2.39	5.78	2.40	5.70	2.41	5.57	2.44	5.47	2.46		
						-10	7.45	2.44	7.25	2.48	7.06	2.51	6.98	2.53	6.90	2.54	6.76	2.57	6.64	2.59		
						-5	8.69	2.56	8.47	2.60	8.27	2.64	8.18	2.65	8.10	2.67	7.95	2.69	7.82	2.72		
						0	9.92	2.68	9.69	2.72	9.49	2.76	9.39	2.78	9.30	2.79	9.14	2.82	9.00	2.85		
						2	10.42	2.73	10.18	2.77	9.97	2.81	9.87	2.83	9.78	2.84	9.61	2.87	9.47	2.90		
						7	11.41	2.83	11.16	2.87	10.94	2.91	10.87	2.92	10.74	2.94	10.57	2.97	10.41	3.00		
						10	12.40	2.92	12.15	2.96	11.92	3.00	11.81	3.02	11.71	3.04	11.52	3.07	11.36	3.10		
						15	13.64	3.04	13.38	3.08	13.13	3.12	13.02	3.14	12.92	3.16	12.72	3.20	12.54	3.23		
2500	2500	3500	6800	15300	153%	-15	6.30	2.38	6.10	2.41	5.92	2.44	5.85	2.46	5.77	2.47	5.64	2.50	5.53	2.52		
						-10	7.54	2.50	7.33	2.54	7.15	2.57	7.06	2.59	6.98	2.60	6.84	2.63	6.72	2.65		
						-5	8.79	2.62	8.57	2.66	8.37	2.70	8.28	2.72	8.20	2.73	8.04	2.76	7.91	2.78		
						0	10.04	2.75	9.81	2.79	9.60	2.83	9.50	2.84	9.41	2.86	9.25	2.89	9.10	2.91		
						2	10.54	2.80	10.30	2.84	10.09	2.88	9.99	2.89	9.90	2.91	9.73	2.94	9.58	2.97		
						7	11.54	2.89	11.30	2.94	11.07	2.98	11.00	2.99	10.87	3.01	10.69	3.04	10.54	3.07		
						10	12.55	2.99	12.29	3.03	12.06	3.08	11.95	3.09	11.85	3.11	11.66	3.15	11.49	3.18		
						15	13.80	3.11	13.54	3.16	13.29	3.20	13.18	3.22	13.07	3.24	12.87	3.27	12.69	3.31		

12. Capacity Table

Combination (Capacity Index)				Combination (Total)	Combination (%)	Outdoor Temperature (°C, DB)	Indoor Temperature(°C, DB)													
							14		16		18		20		21		22		24	
							TC(kW)	PI(kW)	TC(kW)	PI(kW)	TC(kW)	PI(kW)	TC(kW)	PI(kW)	TC(kW)	PI(kW)	TC(kW)	PI(kW)	TC(kW)	PI(kW)
2500	2500	5000	5000	15000	150%	-15	6.30	2.37	6.10	2.40	5.92	2.44	5.85	2.45	5.77	2.46	5.64	2.49	5.53	2.51
						-10	7.54	2.49	7.33	2.53	7.15	2.56	7.06	2.58	6.98	2.59	6.84	2.62	6.72	2.64
						-5	8.79	2.62	8.57	2.66	8.37	2.69	8.28	2.71	8.20	2.72	8.04	2.75	7.91	2.77
						0	10.04	2.74	9.81	2.78	9.60	2.82	9.50	2.83	9.41	2.85	9.25	2.88	9.10	2.90
						2	10.54	2.79	10.30	2.83	10.09	2.87	9.99	2.88	9.90	2.90	9.73	2.93	9.58	2.96
						7	11.54	2.88	11.30	2.93	11.07	2.97	11.00	2.98	10.87	3.00	10.69	3.03	10.54	3.06
						10	12.55	2.98	12.29	3.02	12.06	3.07	11.95	3.08	11.85	3.10	11.66	3.14	11.49	3.17
						15	13.80	3.10	13.54	3.15	13.29	3.19	13.18	3.21	13.07	3.23	12.87	3.26	12.69	3.29
2500	2500	5000	6800	16800	168%	-15	6.30	2.46	6.10	2.49	5.92	2.53	5.85	2.54	5.77	2.55	5.64	2.58	5.53	2.60
						-10	7.54	2.59	7.33	2.62	7.15	2.66	7.06	2.67	6.98	2.69	6.84	2.72	6.72	2.74
						-5	8.79	2.71	8.57	2.75	8.37	2.79	8.28	2.81	8.20	2.82	8.04	2.85	7.91	2.88
						0	10.04	2.84	9.81	2.88	9.60	2.92	9.50	2.94	9.41	2.95	9.25	2.99	9.10	3.01
						2	10.54	2.89	10.30	2.93	10.09	2.97	9.99	2.99	9.90	3.01	9.73	3.04	9.58	3.07
						7	11.54	2.99	11.30	3.03	11.07	3.08	11.00	3.09	10.87	3.11	10.69	3.15	10.54	3.17
						10	12.55	3.09	12.29	3.14	12.06	3.18	11.95	3.20	11.85	3.22	11.66	3.25	11.49	3.28
						15	13.80	3.21	13.54	3.26	13.29	3.31	13.18	3.33	13.07	3.35	12.87	3.38	12.69	3.42
2500	3500	3500	3500	13000	130%	-15	6.15	2.25	5.96	2.28	5.79	2.31	5.71	2.33	5.64	2.34	5.51	2.36	5.41	2.38
						-10	7.37	2.37	7.17	2.40	6.98	2.43	6.90	2.45	6.82	2.46	6.68	2.49	6.57	2.51
						-5	8.59	2.48	8.38	2.52	8.18	2.55	8.09	2.57	8.01	2.58	7.86	2.61	7.73	2.63
						0	9.81	2.60	9.59	2.64	9.38	2.67	9.29	2.69	9.20	2.71	9.04	2.73	8.90	2.76
						2	10.30	2.65	10.07	2.69	9.86	2.72	9.76	2.74	9.67	2.75	9.51	2.78	9.36	2.81
						7	11.28	2.74	11.04	2.78	10.82	2.82	10.75	2.83	10.63	2.85	10.45	2.88	10.30	2.91
						10	12.26	2.83	12.01	2.87	11.78	2.91	11.68	2.93	11.58	2.95	11.39	2.98	11.23	3.01
						15	13.49	2.94	13.23	2.99	12.99	3.03	12.88	3.05	12.77	3.07	12.58	3.10	12.40	3.13
2500	3500	3500	5000	14500	145%	-15	6.30	2.33	6.10	2.36	5.92	2.39	5.85	2.41	5.77	2.42	5.64	2.45	5.53	2.46
						-10	7.54	2.45	7.33	2.49	7.15	2.52	7.06	2.54	6.98	2.55	6.84	2.57	6.72	2.60
						-5	8.79	2.57	8.57	2.61	8.37	2.65	8.28	2.66	8.20	2.68	8.04	2.70	7.91	2.73
						0	10.04	2.69	9.81	2.73	9.60	2.77	9.50	2.79	9.41	2.80	9.25	2.83	9.10	2.86
						2	10.54	2.74	10.30	2.78	10.09	2.82	9.99	2.84	9.90	2.85	9.73	2.88	9.58	2.91
						7	11.54	2.84	11.30	2.88	11.07	2.92	11.00	2.93	10.87	2.95	10.69	2.98	10.54	3.01
						10	12.55	2.93	12.29	2.97	12.06	3.01	11.95	3.03	11.85	3.05	11.66	3.08	11.49	3.11
						15	13.80	3.05	13.54	3.09	13.29	3.13	13.18	3.15	13.07	3.17	12.87	3.21	12.69	3.24
2500	3500	3500	6800	16300	163%	-15	6.30	2.38	6.10	2.41	5.92	2.44	5.85	2.46	5.77	2.47	5.64	2.50	5.53	2.52
						-10	7.54	2.50	7.33	2.54	7.15	2.57	7.06	2.59	6.98	2.60	6.84	2.63	6.72	2.65
						-5	8.79	2.62	8.57	2.66	8.37	2.70	8.28	2.72	8.20	2.73	8.04	2.76	7.91	2.78
						0	10.04	2.75	9.81	2.79	9.60	2.83	9.50	2.84	9.41	2.86	9.25	2.89	9.10	2.91
						2	10.54	2.80	10.30	2.84	10.09	2.88	9.99	2.89	9.90	2.91	9.73	2.94	9.58	2.97
						7	11.54	2.89	11.30	2.94	11.07	2.98	11.00	2.99	10.87	3.01	10.69	3.04	10.54	3.07
						10	12.55	2.99	12.29	3.03	12.06	3.08	11.95	3.09	11.85	3.11	11.66	3.15	11.49	3.18
						15	13.80	3.11	13.54	3.16	13.29	3.20	13.18	3.22	13.07	3.24	12.87	3.27	12.69	3.31
2500	3500	5000	5000	16000	160%	-15	6.30	2.38	6.10	2.41	5.92	2.44	5.85	2.46	5.77	2.47	5.64	2.50	5.53	2.52
						-10	7.54	2.50	7.33	2.54	7.15	2.57	7.06	2.59	6.98	2.60	6.84	2.63	6.72	2.65
						-5	8.79	2.62	8.57	2.66	8.37	2.70	8.28	2.72	8.20	2.73	8.04	2.76	7.91	2.78
						0	10.04	2.75	9.81	2.79	9.60	2.83	9.50	2.84	9.41	2.86	9.25	2.89	9.10	2.91
						2	10.54	2.80	10.30	2.84	10.09	2.88	9.99	2.89	9.90	2.91	9.73	2.94	9.58	2.97
						7	11.54	2.89	11.30	2.94	11.07	2.98	11.00	2.99	10.87	3.01	10.69	3.04	10.54	3.07
						10	12.55	2.99	12.29	3.03	12.06	3.08	11.95	3.09	11.85	3.11	11.66	3.15	11.49	3.18
						15	13.80	3.11	13.54	3.16	13.29	3.20	13.18	3.22	13.07	3.24	12.87	3.27	12.69	3.31

12. Capacity Table

Combination (Capacity Index)				Combination (Total)	Combination (%)	Outdoor Temperature (°C, DB)	Indoor Temperature(°C, DB)															
							14		16		18		20		21		22		24			
							TC(kW)	PI(kW)	TC(kW)	PI(kW)	TC(kW)	PI(kW)	TC(kW)	PI(kW)	TC(kW)	PI(kW)	TC(kW)	PI(kW)	TC(kW)	PI(kW)		
3500	3500	3500	3500	14000	140%	-15	6.18	2.28	5.99	2.32	5.82	2.35	5.74	2.36	5.67	2.37	5.54	2.40	5.43	2.41		
						-10	7.41	2.40	7.20	2.44	7.02	2.47	6.93	2.48	6.86	2.50	6.72	2.52	6.60	2.54		
						-5	8.63	2.52	8.41	2.56	8.22	2.59	8.13	2.61	8.05	2.62	7.90	2.65	7.77	2.67		
						0	9.86	2.64	9.63	2.68	9.42	2.71	9.33	2.73	9.24	2.74	9.08	2.77	8.94	2.80		
						2	10.35	2.68	10.12	2.72	9.91	2.76	9.81	2.78	9.72	2.79	9.55	2.82	9.41	2.85		
						7	11.33	2.78	11.09	2.82	10.87	2.86	10.80	2.87	10.67	2.89	10.50	2.92	10.35	2.95		
						10	12.32	2.87	12.07	2.91	11.84	2.95	11.73	2.97	11.63	2.99	11.45	3.02	11.29	3.05		
						15	13.55	2.98	13.29	3.03	13.05	3.07	12.94	3.09	12.83	3.11	12.64	3.14	12.46	3.17		
3500	3500	3500	5000	15500	155%	-15	6.30	2.33	6.10	2.36	5.92	2.39	5.85	2.41	5.77	2.42	5.64	2.45	5.53	2.46		
						-10	7.54	2.45	7.33	2.49	7.15	2.52	7.06	2.54	6.98	2.55	6.84	2.57	6.72	2.60		
						-5	8.79	2.57	8.57	2.61	8.37	2.65	8.28	2.66	8.20	2.68	8.04	2.70	7.91	2.73		
						0	10.04	2.69	9.81	2.73	9.60	2.77	9.50	2.79	9.41	2.80	9.25	2.83	9.10	2.86		
						2	10.54	2.74	10.30	2.78	10.09	2.82	9.99	2.84	9.90	2.85	9.73	2.88	9.58	2.91		
						7	11.54	2.84	11.30	2.88	11.07	2.92	11.00	2.93	10.87	2.95	10.69	2.98	10.54	3.01		
						10	12.55	2.93	12.29	2.97	12.06	3.01	11.95	3.03	11.85	3.05	11.66	3.08	11.49	3.11		
						15	13.80	3.05	13.54	3.09	13.29	3.13	13.18	3.15	13.07	3.17	12.87	3.21	12.69	3.24		
3500	3500	3500	6800	17300	173%	-15	6.30	2.42	6.10	2.45	5.92	2.48	5.85	2.50	5.77	2.51	5.64	2.54	5.53	2.56		
						-10	7.54	2.54	7.33	2.58	7.15	2.61	7.06	2.63	6.98	2.65	6.84	2.67	6.72	2.69		
						-5	8.79	2.67	8.57	2.71	8.37	2.74	8.28	2.76	8.20	2.78	8.04	2.80	7.91	2.83		
						0	10.04	2.79	9.81	2.84	9.60	2.87	9.50	2.89	9.41	2.91	9.25	2.94	9.10	2.96		
						2	10.54	2.84	10.30	2.89	10.09	2.92	9.99	2.94	9.90	2.96	9.73	2.99	9.58	3.02		
						7	11.54	2.94	11.30	2.99	11.07	3.03	11.00	3.04	10.87	3.06	10.69	3.09	10.54	3.12		
						10	12.55	3.04	12.29	3.09	12.06	3.13	11.95	3.15	11.85	3.16	11.66	3.20	11.49	3.23		
						15	13.80	3.16	13.54	3.21	13.29	3.25	13.18	3.27	13.07	3.29	12.87	3.33	12.69	3.36		
3500	3500	5000	5000	17000	170%	-15	6.30	2.42	6.10	2.45	5.92	2.48	5.85	2.50	5.77	2.51	5.64	2.54	5.53	2.56		
						-10	7.54	2.54	7.33	2.58	7.15	2.61	7.06	2.63	6.98	2.65	6.84	2.67	6.72	2.69		
						-5	8.79	2.67	8.57	2.71	8.37	2.74	8.28	2.76	8.20	2.78	8.04	2.80	7.91	2.83		
						0	10.04	2.79	9.81	2.84	9.60	2.87	9.50	2.89	9.41	2.91	9.25	2.94	9.10	2.96		
						2	10.54	2.84	10.30	2.89	10.09	2.92	9.99	2.94	9.90	2.96	9.73	2.99	9.58	3.02		
						7	11.54	2.94	11.30	2.99	11.07	3.03	11.00	3.04	10.87	3.06	10.69	3.09	10.54	3.12		
						10	12.55	3.04	12.29	3.09	12.06	3.13	11.95	3.15	11.85	3.16	11.66	3.20	11.49	3.23		
						15	13.80	3.16	13.54	3.21	13.29	3.25	13.18	3.27	13.07	3.29	12.87	3.33	12.69	3.36		
2000	2000	2000	2000	10000	100%	-15	6.30	2.36	6.10	2.40	5.92	2.43	5.85	2.44	5.77	2.45	5.64	2.48	5.53	2.50		
						-10	7.54	2.48	7.33	2.52	7.15	2.55	7.06	2.57	6.98	2.58	6.84	2.61	6.72	2.63		
						-5	8.79	2.61	8.57	2.65	8.37	2.68	8.28	2.70	8.20	2.71	8.04	2.74	7.91	2.76		
						0	10.04	2.73	9.81	2.77	9.60	2.81	9.50	2.82	9.41	2.84	9.25	2.87	9.10	2.90		
						2	10.54	2.78	10.30	2.82	10.09	2.86	9.99	2.87	9.90	2.89	9.73	2.92	9.58	2.95		
						7	11.54	2.87	11.30	2.92	11.07	2.96	11.00	2.97	10.87	2.99	10.69	3.02	10.54	3.05		
						10	12.55	2.97	12.29	3.01	12.06	3.05	11.95	3.07	11.85	3.09	11.66	3.13	11.49	3.15		
						15	13.80	3.09	13.54	3.14	13.29	3.18	13.18	3.20	13.07	3.22	12.87	3.25	12.69	3.28		
2000	2000	2000	2500	10500	105%	-15	6.55	2.33	6.34	2.36	6.16	2.39	6.08	2.41	6.00	2.42	5.87	2.45	5.75	2.46		
						-10	7.84	2.45	7.63	2.49	7.43	2.52	7.34	2.54	7.26	2.55	7.11	2.57	6.99	2.60		
						-5	9.14	2.57	8.91	2.61	8.71	2.65	8.61	2.66	8.52	2.68	8.36	2.70	8.23	2.73		
						0	10.44	2.69	10.20	2.73	9.98	2.77	9.88	2.79	9.79	2.80	9.62	2.83	9.47	2.86		
						2	10.96	2.74	10.72	2.78	10.49	2.82	10.39	2.84	10.29	2.85	10.12	2.88	9.96	2.91		
						7	12.01	2.84	11.75	2.88	11.52	2.92	11.44	2.93	11.31	2.95	11.12	2.98	10.96	3.01		
						10	13.05	2.93	12.78	2.97	12.54	3.01	12.43	3.03	12.32	3.05	12.13	3.08	11.95	3.11		
						15	14.35	3.05	14.08	3.09	13.82	3.13	13.71	3.15	13.59	3.17	13.38	3.21	13.20	3.24		

12. Capacity Table

Combination (Capacity Index)					Combination (Total)	Combination (%)	Outdoor Temperature (°C, DB)	Indoor Temperature(°C, DB)													
								14		16		18		20		21		22		24	
								TC(kW)	PI(kW)	TC(kW)	PI(kW)	TC(kW)	PI(kW)	TC(kW)	PI(kW)	TC(kW)	PI(kW)	TC(kW)	PI(kW)	TC(kW)	PI(kW)
2000	2000	2000	2000	3500	11500	115%	-15	6.63	2.37	6.42	2.40	6.24	2.44	6.15	2.45	6.08	2.46	5.94	2.49	5.82	2.51
							-10	7.94	2.49	7.72	2.53	7.52	2.56	7.43	2.58	7.35	2.59	7.20	2.62	7.07	2.64
							-5	9.25	2.62	9.02	2.66	8.81	2.69	8.72	2.71	8.63	2.72	8.47	2.75	8.33	2.77
							0	10.57	2.74	10.33	2.78	10.10	2.82	10.00	2.83	9.91	2.85	9.73	2.88	9.58	2.90
							2	11.10	2.79	10.85	2.83	10.62	2.87	10.52	2.88	10.42	2.90	10.24	2.93	10.09	2.96
							7	12.15	2.88	11.89	2.93	11.66	2.97	11.58	2.98	11.45	3.00	11.26	3.03	11.09	3.06
							10	13.21	2.98	12.94	3.02	12.69	3.07	12.58	3.08	12.47	3.10	12.27	3.14	12.10	3.17
2000	2000	2000	2000	5000	13000	130%	-15	6.58	2.42	6.38	2.45	6.19	2.48	6.11	2.50	6.03	2.51	5.90	2.54	5.78	2.56
							-10	7.89	2.54	7.67	2.58	7.47	2.61	7.38	2.63	7.30	2.65	7.15	2.67	7.03	2.69
							-5	9.19	2.67	8.96	2.71	8.75	2.74	8.66	2.76	8.57	2.78	8.41	2.80	8.27	2.83
							0	10.50	2.79	10.25	2.84	10.04	2.87	9.93	2.89	9.84	2.91	9.67	2.94	9.52	2.96
							2	11.02	2.84	10.77	2.89	10.55	2.92	10.45	2.94	10.35	2.96	10.17	2.99	10.02	3.02
							7	12.07	2.94	11.81	2.99	11.58	3.03	11.50	3.04	11.37	3.06	11.18	3.09	11.02	3.12
							10	13.12	3.04	12.85	3.09	12.61	3.13	12.49	3.15	12.39	3.16	12.19	3.20	12.02	3.23
2000	2000	2000	2000	6800	14800	148%	-15	6.83	2.50	6.62	2.53	6.43	2.57	6.34	2.58	6.26	2.60	6.12	2.62	6.00	2.64
							-10	8.18	2.63	7.95	2.67	7.75	2.70	7.66	2.72	7.57	2.73	7.42	2.76	7.29	2.78
							-5	9.53	2.76	9.29	2.80	9.08	2.83	8.98	2.85	8.89	2.87	8.72	2.90	8.58	2.92
							0	10.89	2.89	10.64	2.93	10.41	2.97	10.31	2.99	10.21	3.00	10.03	3.03	9.87	3.06
							2	11.43	2.94	11.18	2.98	10.94	3.02	10.84	3.04	10.73	3.06	10.55	3.09	10.39	3.12
							7	12.52	3.04	12.25	3.08	12.01	3.13	11.93	3.14	11.79	3.16	11.60	3.20	11.43	3.23
							10	13.61	3.14	13.33	3.19	13.08	3.23	12.96	3.25	12.85	3.27	12.65	3.30	12.47	3.34
2000	2000	2000	2500	2500	11000	110%	-15	6.70	2.40	6.49	2.44	6.31	2.47	6.22	2.48	6.14	2.50	6.00	2.52	5.89	2.54
							-10	8.03	2.53	7.81	2.56	7.61	2.60	7.52	2.61	7.43	2.63	7.28	2.65	7.15	2.68
							-5	9.36	2.65	9.12	2.69	8.91	2.73	8.82	2.74	8.72	2.76	8.56	2.79	8.42	2.81
							0	10.69	2.78	10.44	2.82	10.22	2.85	10.12	2.87	10.02	2.89	9.84	2.92	9.69	2.94
							2	11.22	2.82	10.97	2.87	10.74	2.90	10.64	2.92	10.54	2.94	10.36	2.97	10.20	3.00
							7	12.29	2.92	12.03	2.97	11.79	3.01	11.71	3.02	11.57	3.04	11.38	3.07	11.22	3.10
							10	13.36	3.02	13.08	3.06	12.84	3.11	12.72	3.13	12.61	3.14	12.41	3.18	12.24	3.21
2000	2000	2000	2500	3500	12000	120%	-15	6.80	2.37	6.59	2.40	6.40	2.44	6.31	2.45	6.23	2.46	6.09	2.49	5.97	2.51
							-10	8.15	2.49	7.92	2.53	7.72	2.56	7.63	2.58	7.54	2.59	7.39	2.62	7.26	2.64
							-5	9.49	2.62	9.26	2.66	9.04	2.69	8.94	2.71	8.85	2.72	8.69	2.75	8.54	2.77
							0	10.84	2.74	10.59	2.78	10.37	2.82	10.26	2.83	10.16	2.85	9.99	2.88	9.83	2.90
							2	11.38	2.79	11.13	2.83	10.90	2.87	10.79	2.88	10.69	2.90	10.51	2.93	10.35	2.96
							7	12.47	2.88	12.20	2.93	11.96	2.97	11.88	2.98	11.74	3.00	11.55	3.03	11.38	3.06
							10	13.55	2.98	13.27	3.02	13.02	3.07	12.91	3.08	12.80	3.10	12.59	3.14	12.41	3.17
2000	2000	2000	2500	5000	13500	135%	-15	6.74	2.45	6.53	2.48	6.34	2.52	6.26	2.53	6.18	2.55	6.04	2.57	5.92	2.59
							-10	8.08	2.58	7.85	2.62	7.65	2.65	7.56	2.67	7.48	2.68	7.33	2.71	7.20	2.73
							-5	9.41	2.70	9.18	2.74	8.97	2.78	8.87	2.80	8.78	2.81	8.61	2.84	8.47	2.87
							0	10.75	2.83	10.50	2.87	10.28	2.91	10.18	2.93	10.08	2.95	9.90	2.98	9.75	3.00
							2	11.29	2.88	11.04	2.92	10.81	2.96	10.70	2.98	10.60	3.00	10.42	3.03	10.26	3.06
							7	12.36	2.98	12.10	3.02	11.86	3.07	11.78	3.08	11.64	3.10	11.45	3.14	11.28	3.16
							10	13.44	3.08	13.16	3.13	12.91	3.17	12.80	3.19	12.69	3.21	12.49	3.24	12.31	3.27
15	14.78	3.20	14.50	3.25	14.23	3.30	14.11	3.32	14.00	3.34	13.78	3.37	13.59	3.40							

12. Capacity Table

Combination (Capacity Index)					Combination (Total)	Combination (%)	Outdoor Temperature (°C,DB)	Indoor Temperature(°C, DB)															
								14		16		18		20		21		22		24			
								TC(kW)	PI(kW)	TC(kW)	PI(kW)	TC(kW)	PI(kW)	TC(kW)	PI(kW)	TC(kW)	PI(kW)	TC(kW)	PI(kW)	TC(kW)	PI(kW)		
2000	2000	2000	2500	6800	15300	153%	-15	6.87	2.54	6.65	2.57	6.46	2.61	6.38	2.62	6.30	2.64	6.15	2.66	6.04	2.68		
							-10	8.23	2.67	8.00	2.71	7.80	2.74	7.70	2.76	7.62	2.78	7.46	2.80	7.33	2.83		
							-5	9.59	2.80	9.35	2.84	9.13	2.88	9.03	2.90	8.94	2.91	8.77	2.94	8.63	2.97		
							0	10.95	2.93	10.70	2.97	10.47	3.01	10.37	3.03	10.27	3.05	10.09	3.08	9.93	3.11		
							2	11.50	2.98	11.24	3.03	11.01	3.07	10.90	3.09	10.80	3.10	10.61	3.14	10.45	3.17		
							7	12.59	3.09	12.32	3.13	12.08	3.18	12.00	3.19	11.86	3.21	11.67	3.25	11.49	3.28		
							10	13.69	3.19	13.41	3.24	13.15	3.28	13.04	3.30	12.93	3.32	12.72	3.36	12.54	3.39		
							15	15.06	3.32	14.77	3.37	14.50	3.41	14.38	3.43	14.26	3.45	14.04	3.49	13.85	3.53		
2000	2000	2000	3500	3500	13000	130%	-15	6.57	2.41	6.36	2.44	6.18	2.48	6.09	2.49	6.02	2.50	5.88	2.53	5.77	2.55		
							-10	7.87	2.53	7.65	2.57	7.45	2.61	7.36	2.62	7.28	2.64	7.13	2.66	7.01	2.68		
							-5	9.17	2.66	8.94	2.70	8.73	2.74	8.63	2.75	8.55	2.77	8.39	2.80	8.25	2.82		
							0	10.47	2.78	10.23	2.83	10.01	2.86	9.91	2.88	9.81	2.90	9.64	2.93	9.49	2.95		
							2	10.99	2.83	10.74	2.88	10.52	2.91	10.42	2.93	10.32	2.95	10.14	2.98	9.99	3.01		
							7	12.04	2.93	11.78	2.98	11.55	3.02	11.47	3.03	11.34	3.05	11.15	3.08	10.99	3.11		
							10	13.08	3.03	12.82	3.08	12.57	3.12	12.46	3.14	12.35	3.15	12.16	3.19	11.99	3.22		
							15	14.39	3.15	14.11	3.20	13.86	3.24	13.74	3.26	13.63	3.28	13.42	3.32	13.23	3.35		
2000	2000	2000	3500	5000	14500	145%	-15	6.84	2.49	6.62	2.53	6.43	2.56	6.34	2.57	6.26	2.59	6.12	2.61	6.00	2.63		
							-10	8.19	2.62	7.96	2.66	7.76	2.69	7.67	2.71	7.58	2.72	7.42	2.75	7.29	2.77		
							-5	9.54	2.75	9.30	2.79	9.09	2.83	8.99	2.84	8.90	2.86	8.73	2.89	8.59	2.91		
							0	10.90	2.88	10.65	2.92	10.42	2.96	10.31	2.98	10.22	2.99	10.04	3.02	9.88	3.05		
							2	11.44	2.93	11.19	2.97	10.95	3.01	10.84	3.03	10.74	3.05	10.56	3.08	10.40	3.11		
							7	12.53	3.03	12.26	3.07	12.02	3.12	11.94	3.13	11.80	3.15	11.61	3.19	11.44	3.22		
							10	13.62	3.13	13.34	3.18	13.09	3.22	12.97	3.24	12.86	3.26	12.66	3.29	12.48	3.32		
							15	14.98	3.26	14.69	3.30	14.43	3.35	14.30	3.37	14.19	3.39	13.97	3.43	13.78	3.46		
2000	2000	2000	3500	6800	16300	163%	-15	6.87	2.58	6.65	2.61	6.46	2.65	6.38	2.66	6.30	2.68	6.15	2.70	6.04	2.73		
							-10	8.23	2.71	8.00	2.75	7.80	2.79	7.70	2.80	7.62	2.82	7.46	2.85	7.33	2.87		
							-5	9.59	2.84	9.35	2.89	9.13	2.92	9.03	2.94	8.94	2.96	8.77	2.99	8.63	3.02		
							0	10.95	2.98	10.70	3.02	10.47	3.06	10.37	3.08	10.27	3.10	10.09	3.13	9.93	3.16		
							2	11.50	3.03	11.24	3.08	11.01	3.12	10.90	3.14	10.80	3.15	10.61	3.19	10.45	3.22		
							7	12.59	3.14	12.32	3.18	12.08	3.22	12.00	3.24	11.86	3.26	11.67	3.30	11.49	3.33		
							10	13.69	3.24	13.41	3.29	13.15	3.33	13.04	3.35	12.93	3.37	12.72	3.41	12.54	3.44		
							15	15.06	3.37	14.77	3.42	14.50	3.47	14.38	3.49	14.26	3.51	14.04	3.55	13.85	3.58		
2000	2000	2000	5000	5000	16000	160%	-15	6.87	2.57	6.65	2.61	6.46	2.64	6.38	2.66	6.30	2.67	6.15	2.70	6.04	2.72		
							-10	8.23	2.70	8.00	2.74	7.80	2.78	7.70	2.79	7.62	2.81	7.46	2.84	7.33	2.86		
							-5	9.59	2.84	9.35	2.88	9.13	2.92	9.03	2.93	8.94	2.95	8.77	2.98	8.63	3.01		
							0	10.95	2.97	10.70	3.01	10.47	3.05	10.37	3.07	10.27	3.09	10.09	3.12	9.93	3.15		
							2	11.50	3.02	11.24	3.07	11.01	3.11	10.90	3.13	10.80	3.14	10.61	3.18	10.45	3.21		
							7	12.59	3.13	12.32	3.17	12.08	3.21	12.00	3.23	11.86	3.25	11.67	3.29	11.49	3.32		
							10	13.69	3.23	13.41	3.28	13.15	3.32	13.04	3.34	12.93	3.36	12.72	3.40	12.54	3.43		
							15	15.06	3.36	14.77	3.41	14.50	3.46	14.38	3.48	14.26	3.50	14.04	3.54	13.85	3.57		
2000	2000	2500	2500	2500	11500	115%	-15	6.85	2.40	6.63	2.44	6.44	2.47	6.36	2.48	6.27	2.50	6.13	2.52	6.01	2.54		
							-10	8.20	2.53	7.97	2.56	7.77	2.60	7.68	2.61	7.59	2.63	7.44	2.65	7.31	2.68		
							-5	9.56	2.65	9.32	2.69	9.10	2.73	9.00	2.74	8.91	2.76	8.74	2.79	8.60	2.81		
							0	10.92	2.78	10.66	2.82	10.44	2.85	10.33	2.87	10.23	2.89	10.05	2.92	9.90	2.94		
							2	11.46	2.82	11.20	2.87	10.97	2.90	10.86	2.92	10.76	2.94	10.58	2.97	10.42	3.00		
							7	12.55	2.92	12.28	2.97	12.04	3.01	11.96	3.02	11.82	3.04	11.63	3.07	11.46	3.10		
							10	13.64	3.02	13.36	3.06	13.11	3.11	12.99	3.13	12.88	3.14	12.68	3.18	12.50	3.21		
							15	15.01	3.14	14.72	3.19	14.45	3.23	14.33	3.25	14.21	3.27	13.99	3.31	13.80	3.34		

12. Capacity Table

Combination (Capacity Index)					Combination (Total)	Combination (%)	Outdoor Temperature (°C, DB)	Indoor Temperature(°C, DB)													
								14		16		18		20		21		22		24	
								TC(kW)	PI(kW)	TC(kW)	PI(kW)	TC(kW)	PI(kW)	TC(kW)	PI(kW)	TC(kW)	PI(kW)	TC(kW)	PI(kW)	TC(kW)	PI(kW)
2000	2000	2500	2500	3500	12500	125%	-15	6.61	2.44	6.40	2.48	6.22	2.51	6.13	2.52	6.05	2.54	5.92	2.56	5.80	2.58
							-10	7.91	2.57	7.69	2.61	7.50	2.64	7.41	2.66	7.33	2.67	7.18	2.70	7.05	2.72
							-5	9.22	2.70	8.99	2.74	8.78	2.77	8.69	2.79	8.60	2.80	8.44	2.83	8.30	2.86
							0	10.53	2.82	10.29	2.86	10.07	2.90	9.97	2.92	9.87	2.94	9.70	2.97	9.55	2.99
							2	11.06	2.87	10.81	2.91	10.59	2.95	10.48	2.97	10.38	2.99	10.21	3.02	10.05	3.05
							7	12.11	2.97	11.85	3.02	11.62	3.06	11.54	3.07	11.41	3.09	11.22	3.13	11.05	3.15
							10	13.16	3.07	12.89	3.12	12.65	3.16	12.54	3.18	12.43	3.20	12.23	3.23	12.06	3.26
							15	14.48	3.19	14.20	3.24	13.94	3.28	13.82	3.31	13.71	3.32	13.50	3.36	13.32	3.39
2000	2000	2500	2500	5000	14000	140%	-15	6.87	2.52	6.65	2.56	6.46	2.59	6.38	2.61	6.30	2.62	6.15	2.65	6.04	2.67
							-10	8.23	2.65	8.00	2.69	7.80	2.73	7.70	2.74	7.62	2.76	7.46	2.79	7.33	2.81
							-5	9.59	2.78	9.35	2.82	9.13	2.86	9.03	2.88	8.94	2.90	8.77	2.92	8.63	2.95
							0	10.95	2.91	10.70	2.96	10.47	3.00	10.37	3.01	10.27	3.03	10.09	3.06	9.93	3.09
							2	11.50	2.96	11.24	3.01	11.01	3.05	10.90	3.07	10.80	3.09	10.61	3.12	10.45	3.15
							7	12.59	3.07	12.32	3.11	12.08	3.16	12.00	3.17	11.86	3.19	11.67	3.23	11.49	3.26
							10	13.69	3.17	13.41	3.22	13.15	3.26	13.04	3.28	12.93	3.30	12.72	3.34	12.54	3.37
							15	15.06	3.30	14.77	3.35	14.50	3.39	14.38	3.41	14.26	3.43	14.04	3.47	13.85	3.50
2000	2000	2500	2500	6800	15800	158%	-15	6.87	2.61	6.65	2.65	6.46	2.68	6.38	2.70	6.30	2.71	6.15	2.74	6.04	2.76
							-10	8.23	2.74	8.00	2.78	7.80	2.82	7.70	2.84	7.62	2.85	7.46	2.88	7.33	2.91
							-5	9.59	2.88	9.35	2.92	9.13	2.96	9.03	2.98	8.94	3.00	8.77	3.03	8.63	3.05
							0	10.95	3.01	10.70	3.06	10.47	3.10	10.37	3.12	10.27	3.14	10.09	3.17	9.93	3.20
							2	11.50	3.07	11.24	3.11	11.01	3.15	10.90	3.17	10.80	3.19	10.61	3.23	10.45	3.25
							7	12.59	3.17	12.32	3.22	12.08	3.26	12.00	3.28	11.86	3.30	11.67	3.34	11.49	3.37
							10	13.69	3.28	13.41	3.33	13.15	3.37	13.04	3.39	12.93	3.41	12.72	3.45	12.54	3.48
							15	15.06	3.41	14.77	3.46	14.50	3.51	14.38	3.53	14.26	3.55	14.04	3.59	13.85	3.63
2000	2000	2500	3500	3500	13500	135%	-15	6.72	2.44	6.50	2.48	6.32	2.51	6.23	2.52	6.15	2.54	6.01	2.56	5.90	2.58
							-10	8.04	2.57	7.82	2.61	7.62	2.64	7.53	2.66	7.45	2.67	7.29	2.70	7.17	2.72
							-5	9.37	2.70	9.14	2.74	8.93	2.77	8.83	2.79	8.74	2.80	8.58	2.83	8.44	2.86
							0	10.71	2.82	10.46	2.86	10.24	2.90	10.13	2.92	10.04	2.94	9.86	2.97	9.71	2.99
							2	11.24	2.87	10.99	2.91	10.76	2.95	10.65	2.97	10.55	2.99	10.37	3.02	10.22	3.05
							7	12.31	2.97	12.05	3.02	11.81	3.06	11.73	3.07	11.59	3.09	11.40	3.13	11.24	3.15
							10	13.38	3.07	13.11	3.12	12.86	3.16	12.74	3.18	12.63	3.20	12.43	3.23	12.26	3.26
							15	14.72	3.19	14.43	3.24	14.17	3.28	14.05	3.31	13.94	3.32	13.72	3.36	13.53	3.39
2000	2000	2500	3500	5000	15000	150%	-15	6.87	2.52	6.65	2.56	6.46	2.59	6.38	2.61	6.30	2.62	6.15	2.65	6.04	2.67
							-10	8.23	2.65	8.00	2.69	7.80	2.73	7.70	2.74	7.62	2.76	7.46	2.79	7.33	2.81
							-5	9.59	2.78	9.35	2.82	9.13	2.86	9.03	2.88	8.94	2.90	8.77	2.92	8.63	2.95
							0	10.95	2.91	10.70	2.96	10.47	3.00	10.37	3.01	10.27	3.03	10.09	3.06	9.93	3.09
							2	11.50	2.96	11.24	3.01	11.01	3.05	10.90	3.07	10.80	3.09	10.61	3.12	10.45	3.15
							7	12.59	3.07	12.32	3.11	12.08	3.16	12.00	3.17	11.86	3.19	11.67	3.23	11.49	3.26
							10	13.69	3.17	13.41	3.22	13.15	3.26	13.04	3.28	12.93	3.30	12.72	3.34	12.54	3.37
							15	15.06	3.30	14.77	3.35	14.50	3.39	14.38	3.41	14.26	3.43	14.04	3.47	13.85	3.50
2000	2000	2500	3500	6800	16800	168%	-15	6.87	2.61	6.65	2.65	6.46	2.68	6.38	2.70	6.30	2.71	6.15	2.74	6.04	2.76
							-10	8.23	2.74	8.00	2.78	7.80	2.82	7.70	2.84	7.62	2.85	7.46	2.88	7.33	2.91
							-5	9.59	2.88	9.35	2.92	9.13	2.96	9.03	2.98	8.94	3.00	8.77	3.03	8.63	3.05
							0	10.95	3.01	10.70	3.06	10.47	3.10	10.37	3.12	10.27	3.14	10.09	3.17	9.93	3.20
							2	11.50	3.07	11.24	3.11	11.01	3.15	10.90	3.17	10.80	3.19	10.61	3.23	10.45	3.25
							7	12.59	3.17	12.32	3.22	12.08	3.26	12.00	3.28	11.86	3.30	11.67	3.34	11.49	3.37
							10	13.69	3.28	13.41	3.33	13.15	3.37	13.04	3.39	12.93	3.41	12.72	3.45	12.54	3.48
							15	15.06	3.41	14.77	3.46	14.50	3.51	14.38	3.53	14.26	3.55	14.04	3.59	13.85	3.63

12. Capacity Table

Combination (Capacity Index)					Combination (Total)	Combination (%)	Outdoor Temperature (°C,DB)	Indoor Temperature(°C, DB)															
								14		16		18		20		21		22		24			
								TC(kW)	PI(kW)	TC(kW)	PI(kW)	TC(kW)	PI(kW)	TC(kW)	PI(kW)	TC(kW)	PI(kW)	TC(kW)	PI(kW)	TC(kW)	PI(kW)		
2000	2000	2500	5000	5000	16500	165%	-15	6.87	2.61	6.65	2.65	6.46	2.68	6.38	2.70	6.30	2.71	6.15	2.74	6.04	2.76		
							-10	8.23	2.74	8.00	2.78	7.80	2.82	7.70	2.84	7.62	2.85	7.46	2.88	7.33	2.91		
							-5	9.59	2.88	9.35	2.92	9.13	2.96	9.03	2.98	8.94	3.00	8.77	3.03	8.63	3.05		
							0	10.95	3.01	10.70	3.06	10.47	3.10	10.37	3.12	10.27	3.14	10.09	3.17	9.93	3.20		
							2	11.50	3.07	11.24	3.11	11.01	3.15	10.90	3.17	10.80	3.19	10.61	3.23	10.45	3.25		
							7	12.59	3.17	12.32	3.22	12.08	3.26	12.00	3.28	11.86	3.30	11.67	3.34	11.49	3.37		
							10	13.69	3.28	13.41	3.33	13.15	3.37	13.04	3.39	12.93	3.41	12.72	3.45	12.54	3.48		
							15	15.06	3.41	14.77	3.46	14.50	3.51	14.38	3.53	14.26	3.55	14.04	3.59	13.85	3.63		
2000	2000	3500	3500	3500	14500	145%	-15	6.81	2.48	6.60	2.52	6.41	2.55	6.32	2.56	6.24	2.58	6.10	2.60	5.98	2.62		
							-10	8.16	2.61	7.93	2.65	7.73	2.68	7.64	2.70	7.55	2.71	7.40	2.74	7.27	2.76		
							-5	9.51	2.74	9.27	2.78	9.06	2.82	8.96	2.83	8.87	2.85	8.70	2.88	8.56	2.90		
							0	10.86	2.87	10.61	2.91	10.38	2.95	10.28	2.97	10.18	2.98	10.00	3.01	9.85	3.04		
							2	11.40	2.92	11.15	2.96	10.92	3.00	10.81	3.02	10.71	3.04	10.52	3.07	10.36	3.10		
							7	12.49	3.02	12.22	3.06	11.98	3.11	11.90	3.12	11.76	3.14	11.57	3.18	11.40	3.21		
							10	13.57	3.12	13.30	3.17	13.05	3.21	12.93	3.23	12.82	3.25	12.61	3.28	12.43	3.31		
							15	14.93	3.24	14.64	3.29	14.38	3.34	14.26	3.36	14.14	3.38	13.92	3.42	13.73	3.45		
2000	2000	3500	3500	5000	16000	160%	-15	6.87	2.56	6.65	2.60	6.46	2.63	6.38	2.65	6.30	2.66	6.15	2.69	6.04	2.71		
							-10	8.23	2.69	8.00	2.73	7.80	2.77	7.70	2.79	7.62	2.80	7.46	2.83	7.33	2.85		
							-5	9.59	2.83	9.35	2.87	9.13	2.91	9.03	2.92	8.94	2.94	8.77	2.97	8.63	3.00		
							0	10.95	2.96	10.70	3.00	10.47	3.04	10.37	3.06	10.27	3.08	10.09	3.11	9.93	3.14		
							2	11.50	3.01	11.24	3.06	11.01	3.10	10.90	3.12	10.80	3.13	10.61	3.17	10.45	3.20		
							7	12.59	3.12	12.32	3.16	12.08	3.20	12.00	3.22	11.86	3.24	11.67	3.28	11.49	3.31		
							10	13.69	3.22	13.41	3.27	13.15	3.31	13.04	3.33	12.93	3.35	12.72	3.39	12.54	3.42		
							15	15.06	3.35	14.77	3.40	14.50	3.45	14.38	3.47	14.26	3.49	14.04	3.53	13.85	3.56		
2000	2500	2500	2500	2500	12000	120%	-15	6.68	2.43	6.47	2.47	6.29	2.50	6.20	2.52	6.12	2.53	5.98	2.55	5.87	2.57		
							-10	8.00	2.56	7.78	2.60	7.58	2.63	7.49	2.65	7.41	2.66	7.26	2.69	7.13	2.71		
							-5	9.33	2.69	9.09	2.73	8.88	2.76	8.79	2.78	8.69	2.79	8.53	2.82	8.39	2.85		
							0	10.65	2.81	10.41	2.85	10.18	2.89	10.08	2.91	9.98	2.93	9.81	2.96	9.66	2.98		
							2	11.18	2.86	10.93	2.90	10.70	2.94	10.60	2.96	10.50	2.98	10.32	3.01	10.16	3.04		
							7	12.25	2.96	11.99	3.01	11.75	3.05	11.67	3.06	11.53	3.08	11.34	3.11	11.18	3.14		
							10	13.31	3.06	13.04	3.11	12.79	3.15	12.68	3.17	12.57	3.19	12.37	3.22	12.19	3.25		
							15	14.64	3.18	14.36	3.23	14.10	3.27	13.98	3.29	13.87	3.31	13.65	3.35	13.47	3.38		
2000	2500	2500	2500	3500	13000	130%	-15	6.77	2.47	6.55	2.51	6.37	2.54	6.28	2.56	6.20	2.57	6.06	2.60	5.94	2.62		
							-10	8.11	2.60	7.88	2.64	7.68	2.68	7.59	2.69	7.50	2.71	7.35	2.73	7.22	2.76		
							-5	9.45	2.73	9.21	2.77	9.00	2.81	8.90	2.82	8.81	2.84	8.64	2.87	8.50	2.89		
							0	10.79	2.86	10.54	2.90	10.31	2.94	10.21	2.96	10.11	2.97	9.94	3.00	9.78	3.03		
							2	11.33	2.91	11.07	2.95	10.84	2.99	10.74	3.01	10.64	3.03	10.45	3.06	10.29	3.09		
							7	12.40	3.01	12.14	3.05	11.90	3.10	11.82	3.11	11.68	3.13	11.49	3.17	11.32	3.20		
							10	13.48	3.11	13.21	3.16	12.96	3.20	12.84	3.22	12.73	3.24	12.53	3.27	12.35	3.30		
							15	14.83	3.23	14.55	3.28	14.28	3.33	14.16	3.35	14.04	3.37	13.83	3.41	13.64	3.44		
2000	2500	2500	2500	5000	14500	145%	-15	6.87	2.55	6.65	2.59	6.46	2.62	6.38	2.64	6.30	2.65	6.15	2.68	6.04	2.70		
							-10	8.23	2.69	8.00	2.73	7.80	2.76	7.70	2.78	7.62	2.79	7.46	2.82	7.33	2.84		
							-5	9.59	2.82	9.35	2.86	9.13	2.90	9.03	2.92	8.94	2.93	8.77	2.96	8.63	2.99		
							0	10.95	2.95	10.70	2.99	10.47	3.03	10.37	3.05	10.27	3.07	10.09	3.10	9.93	3.13		
							2	11.50	3.00	11.24	3.05	11.01	3.09	10.90	3.11	10.80	3.12	10.61	3.16	10.45	3.19		
							7	12.59	3.11	12.32	3.15	12.08	3.19	12.00	3.21	11.86	3.23	11.67	3.27	11.49	3.30		
							10	13.69	3.21	13.41	3.26	13.15	3.30	13.04	3.32	12.93	3.34	12.72	3.38	12.54	3.41		
							15	15.06	3.34	14.77	3.39	14.50	3.43	14.38	3.46	14.26	3.48	14.04	3.51	13.85	3.55		

12. Capacity Table

Combination (Capacity Index)					Combination (Total)	Combination (%)	Outdoor Temperature (°C, DB)	Indoor Temperature(°C, DB)													
								14		16		18		20		21		22		24	
								TC(kW)	PI(kW)	TC(kW)	PI(kW)	TC(kW)	PI(kW)	TC(kW)	PI(kW)	TC(kW)	PI(kW)	TC(kW)	PI(kW)	TC(kW)	PI(kW)
2000	2500	2500	2500	6800	16300	163%	-15	6.87	2.64	6.65	2.68	6.46	2.71	6.38	2.73	6.30	2.74	6.15	2.77	6.04	2.79
							-10	8.23	2.78	8.00	2.82	7.80	2.86	7.70	2.87	7.62	2.89	7.46	2.92	7.33	2.94
							-5	9.59	2.91	9.35	2.96	9.13	3.00	9.03	3.02	8.94	3.03	8.77	3.06	8.63	3.09
							0	10.95	3.05	10.70	3.10	10.47	3.14	10.37	3.16	10.27	3.17	10.09	3.21	9.93	3.24
							2	11.50	3.10	11.24	3.15	11.01	3.19	10.90	3.21	10.80	3.23	10.61	3.27	10.45	3.29
							7	12.59	3.21	12.32	3.26	12.08	3.30	12.00	3.32	11.86	3.34	11.67	3.38	11.49	3.41
							10	13.69	3.32	13.41	3.37	13.15	3.41	13.04	3.44	12.93	3.46	12.72	3.49	12.54	3.53
							15	15.06	3.45	14.77	3.50	14.50	3.55	14.38	3.57	14.26	3.60	14.04	3.64	13.85	3.67
2000	2500	2500	3500	3500	14000	140%	-15	6.87	2.51	6.65	2.55	6.46	2.58	6.38	2.60	6.30	2.61	6.15	2.64	6.04	2.66
							-10	8.23	2.64	8.00	2.68	7.80	2.72	7.70	2.73	7.62	2.75	7.46	2.78	7.33	2.80
							-5	9.59	2.77	9.35	2.82	9.13	2.85	9.03	2.87	8.94	2.89	8.77	2.92	8.63	2.94
							0	10.95	2.90	10.70	2.95	10.47	2.99	10.37	3.00	10.27	3.02	10.09	3.05	9.93	3.08
							2	11.50	2.96	11.24	3.00	11.01	3.04	10.90	3.06	10.80	3.08	10.61	3.11	10.45	3.14
							7	12.59	3.06	12.32	3.10	12.08	3.15	12.00	3.16	11.86	3.18	11.67	3.22	11.49	3.25
							10	13.69	3.16	13.41	3.21	13.15	3.25	13.04	3.27	12.93	3.29	12.72	3.33	12.54	3.36
							15	15.06	3.29	14.77	3.34	14.50	3.38	14.38	3.40	14.26	3.42	14.04	3.46	13.85	3.49
2000	2500	2500	3500	5000	15500	155%	-15	6.87	2.59	6.65	2.63	6.46	2.66	6.38	2.68	6.30	2.69	6.15	2.72	6.04	2.74
							-10	8.23	2.73	8.00	2.77	7.80	2.80	7.70	2.82	7.62	2.84	7.46	2.86	7.33	2.89
							-5	9.59	2.86	9.35	2.90	9.13	2.94	9.03	2.96	8.94	2.98	8.77	3.01	8.63	3.03
							0	10.95	3.00	10.70	3.04	10.47	3.08	10.37	3.10	10.27	3.12	10.09	3.15	9.93	3.18
							2	11.50	3.05	11.24	3.09	11.01	3.14	10.90	3.15	10.80	3.17	10.61	3.21	10.45	3.24
							7	12.59	3.15	12.32	3.20	12.08	3.24	12.00	3.26	11.86	3.28	11.67	3.32	11.49	3.35
							10	13.69	3.26	13.41	3.31	13.15	3.35	13.04	3.37	12.93	3.39	12.72	3.43	12.54	3.46
							15	15.06	3.39	14.77	3.44	14.50	3.49	14.38	3.51	14.26	3.53	14.04	3.57	13.85	3.60
2000	2500	2500	3500	6800	17300	173%	-15	6.87	2.68	6.65	2.72	6.46	2.75	6.38	2.77	6.30	2.79	6.15	2.81	6.04	2.84
							-10	8.23	2.82	8.00	2.86	7.80	2.90	7.70	2.92	7.62	2.93	7.46	2.96	7.33	2.99
							-5	9.59	2.96	9.35	3.00	9.13	3.04	9.03	3.06	8.94	3.08	8.77	3.11	8.63	3.14
							0	10.95	3.10	10.70	3.14	10.47	3.18	10.37	3.20	10.27	3.22	10.09	3.26	9.93	3.28
							2	11.50	3.15	11.24	3.20	11.01	3.24	10.90	3.26	10.80	3.28	10.61	3.31	10.45	3.34
							7	12.59	3.26	12.32	3.31	12.08	3.35	12.00	3.37	11.86	3.39	11.67	3.43	11.49	3.46
							10	13.69	3.37	13.41	3.42	13.15	3.47	13.04	3.49	12.93	3.51	12.72	3.55	12.54	3.58
							15	15.06	3.50	14.77	3.56	14.50	3.61	14.38	3.63	14.26	3.65	14.04	3.69	13.85	3.73
2000	2500	2500	5000	5000	17000	170%	-15	6.87	2.68	6.65	2.72	6.46	2.75	6.38	2.77	6.30	2.79	6.15	2.81	6.04	2.84
							-10	8.23	2.82	8.00	2.86	7.80	2.90	7.70	2.92	7.62	2.93	7.46	2.96	7.33	2.99
							-5	9.59	2.96	9.35	3.00	9.13	3.04	9.03	3.06	8.94	3.08	8.77	3.11	8.63	3.14
							0	10.95	3.10	10.70	3.14	10.47	3.18	10.37	3.20	10.27	3.22	10.09	3.26	9.93	3.28
							2	11.50	3.15	11.24	3.20	11.01	3.24	10.90	3.26	10.80	3.28	10.61	3.31	10.45	3.34
							7	12.59	3.26	12.32	3.31	12.08	3.35	12.00	3.37	11.86	3.39	11.67	3.43	11.49	3.46
							10	13.69	3.37	13.41	3.42	13.15	3.47	13.04	3.49	12.93	3.51	12.72	3.55	12.54	3.58
							15	15.06	3.50	14.77	3.56	14.50	3.61	14.38	3.63	14.26	3.65	14.04	3.69	13.85	3.73
2000	2500	3500	3500	3500	15000	150%	-15	6.87	2.51	6.65	2.55	6.46	2.58	6.38	2.60	6.30	2.61	6.15	2.64	6.04	2.66
							-10	8.23	2.64	8.00	2.68	7.80	2.72	7.70	2.73	7.62	2.75	7.46	2.78	7.33	2.80
							-5	9.59	2.77	9.35	2.82	9.13	2.85	9.03	2.87	8.94	2.89	8.77	2.92	8.63	2.94
							0	10.95	2.90	10.70	2.95	10.47	2.99	10.37	3.00	10.27	3.02	10.09	3.05	9.93	3.08
							2	11.50	2.96	11.24	3.00	11.01	3.04	10.90	3.06	10.80	3.08	10.61	3.11	10.45	3.14
							7	12.59	3.06	12.32	3.10	12.08	3.15	12.00	3.16	11.86	3.18	11.67	3.22	11.49	3.25
							10	13.69	3.16	13.41	3.21	13.15	3.25	13.04	3.27	12.93	3.29	12.72	3.33	12.54	3.36
							15	15.06	3.29	14.77	3.34	14.50	3.38	14.38	3.40	14.26	3.42	14.04	3.46	13.85	3.49

12. Capacity Table

Combination (Capacity Index)					Combination (Total)	Combination (%)	Outdoor Temperature (°C, DB)	Indoor Temperature(°C, DB)															
								14		16		18		20		21		22		24			
								TC(kW)	PI(kW)	TC(kW)	PI(kW)	TC(kW)	PI(kW)	TC(kW)	PI(kW)	TC(kW)	PI(kW)	TC(kW)	PI(kW)	TC(kW)	PI(kW)		
2000	2500	3500	3500	5000	16500	165%	-15	6.87	2.60	6.65	2.64	6.46	2.67	6.38	2.69	6.30	2.70	6.15	2.73	6.04	2.75		
							-10	8.23	2.74	8.00	2.78	7.80	2.81	7.70	2.83	7.62	2.85	7.46	2.87	7.33	2.90		
							-5	9.59	2.87	9.35	2.91	9.13	2.95	9.03	2.97	8.94	2.99	8.77	3.02	8.63	3.04		
							0	10.95	3.00	10.70	3.05	10.47	3.09	10.37	3.11	10.27	3.13	10.09	3.16	9.93	3.19		
							2	11.50	3.06	11.24	3.10	11.01	3.15	10.90	3.16	10.80	3.18	10.61	3.22	10.45	3.24		
							7	12.59	3.16	12.32	3.21	12.08	3.25	12.00	3.27	11.86	3.29	11.67	3.33	11.49	3.36		
							10	13.69	3.27	13.41	3.32	13.15	3.36	13.04	3.38	12.93	3.40	12.72	3.44	12.54	3.47		
							15	15.06	3.40	14.77	3.45	14.50	3.50	14.38	3.52	14.26	3.54	14.04	3.58	13.85	3.61		
2000	3500	3500	3500	3500	16000	160%	-15	6.87	2.55	6.65	2.59	6.46	2.62	6.38	2.64	6.30	2.65	6.15	2.68	6.04	2.70		
							-10	8.23	2.69	8.00	2.73	7.80	2.76	7.70	2.78	7.62	2.79	7.46	2.82	7.33	2.84		
							-5	9.59	2.82	9.35	2.86	9.13	2.90	9.03	2.92	8.94	2.93	8.77	2.96	8.63	2.99		
							0	10.95	2.95	10.70	2.99	10.47	3.03	10.37	3.05	10.27	3.07	10.09	3.10	9.93	3.13		
							2	11.50	3.00	11.24	3.05	11.01	3.09	10.90	3.11	10.80	3.12	10.61	3.16	10.45	3.19		
							7	12.59	3.11	12.32	3.15	12.08	3.19	12.00	3.21	11.86	3.23	11.67	3.27	11.49	3.30		
							10	13.69	3.21	13.41	3.26	13.15	3.30	13.04	3.32	12.93	3.34	12.72	3.38	12.54	3.41		
							15	15.06	3.34	14.77	3.39	14.50	3.43	14.38	3.46	14.26	3.48	14.04	3.51	13.85	3.55		
2500	2500	2500	2500	2500	12500	125%	-15	6.87	2.24	6.65	2.28	6.46	2.30	6.38	2.32	6.30	2.33	6.15	2.35	6.04	2.37		
							-10	8.23	2.36	8.00	2.39	7.80	2.43	7.70	2.44	7.62	2.45	7.46	2.48	7.33	2.50		
							-5	9.59	2.48	9.35	2.51	9.13	2.55	9.03	2.56	8.94	2.58	8.77	2.60	8.63	2.62		
							0	10.95	2.59	10.70	2.63	10.47	2.66	10.37	2.68	10.27	2.70	10.09	2.72	9.93	2.75		
							2	11.50	2.64	11.24	2.68	11.01	2.71	10.90	2.73	10.80	2.74	10.61	2.77	10.45	2.80		
							7	12.59	2.73	12.32	2.77	12.08	2.81	12.00	2.82	11.86	2.84	11.67	2.87	11.49	2.90		
							10	13.69	2.82	13.41	2.86	13.15	2.90	13.04	2.92	12.93	2.94	12.72	2.97	12.54	3.00		
							15	15.06	2.93	14.77	2.98	14.50	3.02	14.38	3.04	14.26	3.05	14.04	3.09	13.85	3.12		
2500	2500	2500	2500	3500	13500	135%	-15	6.87	2.50	6.65	2.54	6.46	2.57	6.38	2.59	6.30	2.60	6.15	2.63	6.04	2.65		
							-10	8.23	2.64	8.00	2.67	7.80	2.71	7.70	2.73	7.62	2.74	7.46	2.77	7.33	2.79		
							-5	9.59	2.77	9.35	2.81	9.13	2.84	9.03	2.86	8.94	2.88	8.77	2.91	8.63	2.93		
							0	10.95	2.89	10.70	2.94	10.47	2.98	10.37	2.99	10.27	3.01	10.09	3.04	9.93	3.07		
							2	11.50	2.95	11.24	2.99	11.01	3.03	10.90	3.05	10.80	3.07	10.61	3.10	10.45	3.13		
							7	12.59	3.05	12.32	3.09	12.08	3.14	12.00	3.15	11.86	3.17	11.67	3.21	11.49	3.24		
							10	13.69	3.15	13.41	3.20	13.15	3.24	13.04	3.26	12.93	3.28	12.72	3.31	12.54	3.35		
							15	15.06	3.28	14.77	3.33	14.50	3.37	14.38	3.39	14.26	3.41	14.04	3.45	13.85	3.48		
2500	2500	2500	2500	5000	15000	150%	-15	6.87	2.59	6.65	2.63	6.46	2.66	6.38	2.68	6.30	2.69	6.15	2.72	6.04	2.74		
							-10	8.23	2.73	8.00	2.77	7.80	2.80	7.70	2.82	7.62	2.84	7.46	2.86	7.33	2.89		
							-5	9.59	2.86	9.35	2.90	9.13	2.94	9.03	2.96	8.94	2.98	8.77	3.01	8.63	3.03		
							0	10.95	3.00	10.70	3.04	10.47	3.08	10.37	3.10	10.27	3.12	10.09	3.15	9.93	3.18		
							2	11.50	3.05	11.24	3.09	11.01	3.14	10.90	3.15	10.80	3.17	10.61	3.21	10.45	3.24		
							7	12.59	3.15	12.32	3.20	12.08	3.24	12.00	3.26	11.86	3.28	11.67	3.32	11.49	3.35		
							10	13.69	3.26	13.41	3.31	13.15	3.35	13.04	3.37	12.93	3.39	12.72	3.43	12.54	3.46		
							15	15.06	3.39	14.77	3.44	14.50	3.49	14.38	3.51	14.26	3.53	14.04	3.57	13.85	3.60		
2500	2500	2500	2500	6800	16800	168%	-15	6.87	2.68	6.65	2.72	6.46	2.75	6.38	2.77	6.30	2.79	6.15	2.81	6.04	2.84		
							-10	8.23	2.82	8.00	2.86	7.80	2.90	7.70	2.92	7.62	2.93	7.46	2.96	7.33	2.99		
							-5	9.59	2.96	9.35	3.00	9.13	3.04	9.03	3.06	8.94	3.08	8.77	3.11	8.63	3.14		
							0	10.95	3.10	10.70	3.14	10.47	3.18	10.37	3.20	10.27	3.22	10.09	3.26	9.93	3.28		
							2	11.50	3.15	11.24	3.20	11.01	3.24	10.90	3.26	10.80	3.28	10.61	3.31	10.45	3.34		
							7	12.59	3.26	12.32	3.31	12.08	3.35	12.00	3.37	11.86	3.39	11.67	3.43	11.49	3.46		
							10	13.69	3.37	13.41	3.42	13.15	3.47	13.04	3.49	12.93	3.51	12.72	3.55	12.54	3.58		
							15	15.06	3.50	14.77	3.56	14.50	3.61	14.38	3.63	14.26	3.65	14.04	3.69	13.85	3.73		

12. Capacity Table

Combination (Capacity Index)					Combination (Total)	Combination (%)	Outdoor Temperature (°C, DB)	Indoor Temperature(°C, DB)													
								14		16		18		20		21		22		24	
								TC(kW)	PI(kW)	TC(kW)	PI(kW)	TC(kW)	PI(kW)	TC(kW)	PI(kW)	TC(kW)	PI(kW)	TC(kW)	PI(kW)	TC(kW)	PI(kW)
2500	2500	2500	3500	3500	14500	145%	-15	6.87	2.54	6.65	2.58	6.46	2.62	6.38	2.63	6.30	2.64	6.15	2.67	6.04	2.69
							-10	8.23	2.68	8.00	2.72	7.80	2.75	7.70	2.77	7.62	2.78	7.46	2.81	7.33	2.84
							-5	9.59	2.81	9.35	2.85	9.13	2.89	9.03	2.91	8.94	2.92	8.77	2.95	8.63	2.98
							0	10.95	2.94	10.70	2.98	10.47	3.02	10.37	3.04	10.27	3.06	10.09	3.09	9.93	3.12
							2	11.50	2.99	11.24	3.04	11.01	3.08	10.90	3.10	10.80	3.11	10.61	3.15	10.45	3.18
							7	12.59	3.10	12.32	3.14	12.08	3.19	12.00	3.20	11.86	3.22	11.67	3.26	11.49	3.29
							10	13.69	3.20	13.41	3.25	13.15	3.29	13.04	3.31	12.93	3.33	12.72	3.37	12.54	3.40
							15	15.06	3.33	14.77	3.38	14.50	3.42	14.38	3.45	14.26	3.47	14.04	3.50	13.85	3.54
2500	2500	2500	3500	5000	16000	160%	-15	6.87	2.63	6.65	2.67	6.46	2.71	6.38	2.72	6.30	2.74	6.15	2.76	6.04	2.78
							-10	8.23	2.77	8.00	2.81	7.80	2.85	7.70	2.86	7.62	2.88	7.46	2.91	7.33	2.93
							-5	9.59	2.91	9.35	2.95	9.13	2.99	9.03	3.01	8.94	3.02	8.77	3.05	8.63	3.08
							0	10.95	3.04	10.70	3.09	10.47	3.13	10.37	3.15	10.27	3.16	10.09	3.20	9.93	3.23
							2	11.50	3.10	11.24	3.14	11.01	3.18	10.90	3.20	10.80	3.22	10.61	3.26	10.45	3.28
							7	12.59	3.20	12.32	3.25	12.08	3.29	12.00	3.31	11.86	3.33	11.67	3.37	11.49	3.40
							10	13.69	3.31	13.41	3.36	13.15	3.40	13.04	3.43	12.93	3.45	12.72	3.48	12.54	3.52
							15	15.06	3.44	14.77	3.49	14.50	3.54	14.38	3.56	14.26	3.58	14.04	3.62	13.85	3.66
2500	2500	3500	3500	3500	15500	155%	-15	6.87	2.58	6.65	2.62	6.46	2.66	6.38	2.67	6.30	2.69	6.15	2.71	6.04	2.73
							-10	8.23	2.72	8.00	2.76	7.80	2.80	7.70	2.81	7.62	2.83	7.46	2.86	7.33	2.88
							-5	9.59	2.85	9.35	2.90	9.13	2.93	9.03	2.95	8.94	2.97	8.77	3.00	8.63	3.02
							0	10.95	2.99	10.70	3.03	10.47	3.07	10.37	3.09	10.27	3.11	10.09	3.14	9.93	3.17
							2	11.50	3.04	11.24	3.08	11.01	3.13	10.90	3.15	10.80	3.16	10.61	3.20	10.45	3.23
							7	12.59	3.14	12.32	3.19	12.08	3.23	12.00	3.25	11.86	3.27	11.67	3.31	11.49	3.34
							10	13.69	3.25	13.41	3.30	13.15	3.34	13.04	3.36	12.93	3.38	12.72	3.42	12.54	3.45
							15	15.06	3.38	14.77	3.43	14.50	3.48	14.38	3.50	14.26	3.52	14.04	3.56	13.85	3.59
2500	2500	3500	3500	5000	17000	170%	-15	6.87	2.67	6.65	2.71	6.46	2.75	6.38	2.76	6.30	2.78	6.15	2.80	6.04	2.83
							-10	8.23	2.81	8.00	2.85	7.80	2.89	7.70	2.91	7.62	2.92	7.46	2.95	7.33	2.98
							-5	9.59	2.95	9.35	2.99	9.13	3.03	9.03	3.05	8.94	3.07	8.77	3.10	8.63	3.13
							0	10.95	3.09	10.70	3.13	10.47	3.18	10.37	3.19	10.27	3.21	10.09	3.25	9.93	3.28
							2	11.50	3.14	11.24	3.19	11.01	3.23	10.90	3.25	10.80	3.27	10.61	3.30	10.45	3.33
							7	12.59	3.25	12.32	3.30	12.08	3.34	12.00	3.36	11.86	3.38	11.67	3.42	11.49	3.45
							10	13.69	3.36	13.41	3.41	13.15	3.46	13.04	3.48	12.93	3.50	12.72	3.54	12.54	3.57
							15	15.06	3.49	14.77	3.55	14.50	3.60	14.38	3.62	14.26	3.64	14.04	3.68	13.85	3.71
2500	3500	3500	3500	3500	16500	165%	-15	6.87	2.59	6.65	2.63	6.46	2.66	6.38	2.68	6.30	2.69	6.15	2.72	6.04	2.74
							-10	8.23	2.73	8.00	2.77	7.80	2.80	7.70	2.82	7.62	2.84	7.46	2.86	7.33	2.89
							-5	9.59	2.86	9.35	2.90	9.13	2.94	9.03	2.96	8.94	2.98	8.77	3.01	8.63	3.03
							0	10.95	3.00	10.70	3.04	10.47	3.08	10.37	3.10	10.27	3.12	10.09	3.15	9.93	3.18
							2	11.50	3.05	11.24	3.09	11.01	3.14	10.90	3.15	10.80	3.17	10.61	3.21	10.45	3.24
							7	12.59	3.15	12.32	3.20	12.08	3.24	12.00	3.26	11.86	3.28	11.67	3.32	11.49	3.35
							10	13.69	3.26	13.41	3.31	13.15	3.35	13.04	3.37	12.93	3.39	12.72	3.43	12.54	3.46
							15	15.06	3.39	14.77	3.44	14.50	3.49	14.38	3.51	14.26	3.53	14.04	3.57	13.85	3.60

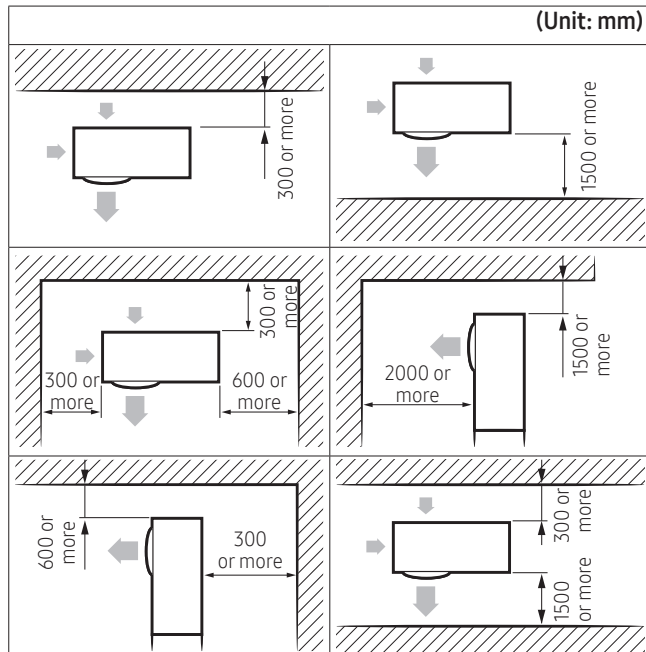
NOTE

- Cooling capacity is based on 27°CDB / 19°CWB (indoor temperature), 35°CDB (outdoor temperature).
- Heating capacity is based on 20°CDB (indoor temperature), 7°CDB/6°CWB (outdoor temperature).
- The above is the value for connecting with the following indoor units.
 - 2000, 2500, 3500, 5000, 6800W class: Wall Mounted [only for AR**FSSEDWUN, AR**FSFPESNN, AR**FSFPDGMN]
- Capacities are based on the following conditions:
 - Corresponding refrigerant piping length : 5m / - Level difference : 0m
- The total ability of connected a indoor unit is up to 17.3kW
- It is impossible to connect the indoor unit for one room only.
- This data is reference data for temperature capacity trend.

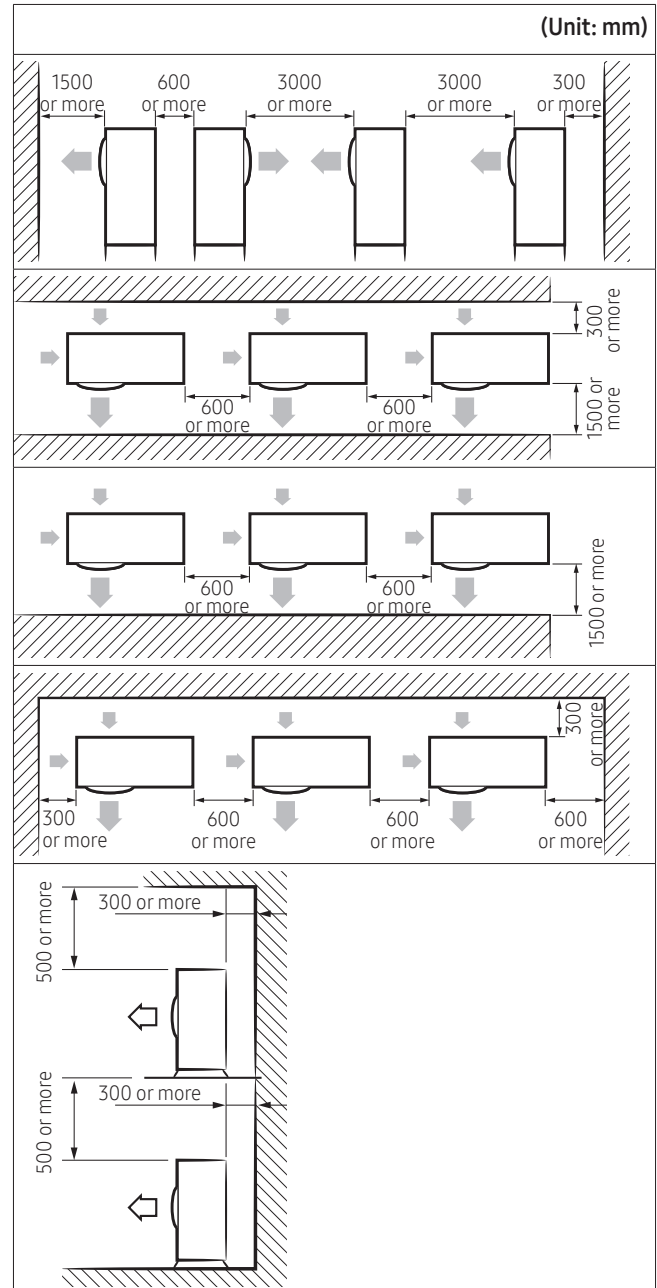
13. Installation

Minimum clearances for the outdoor unit

When installing 1 outdoor unit



When installing more than 1 outdoor unit



⚠ CAUTION

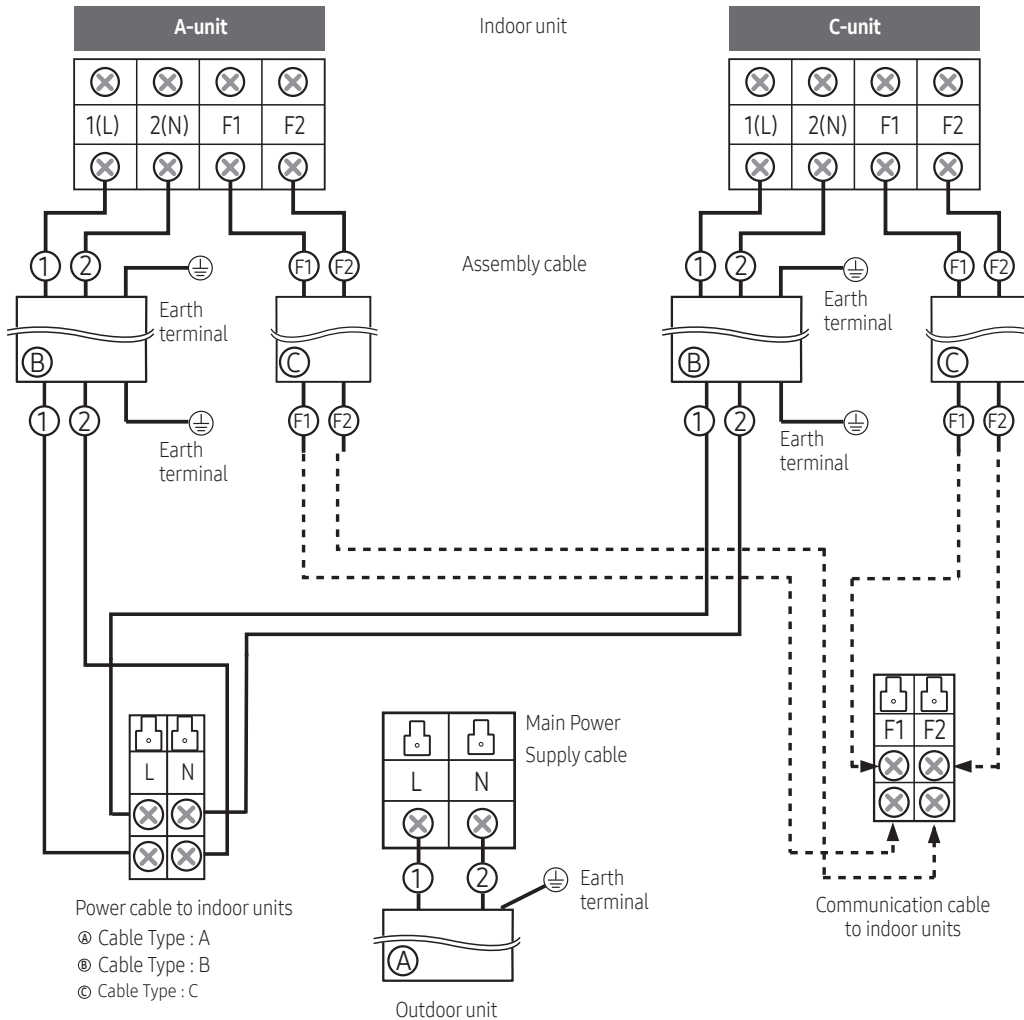
- The outdoor unit must be installed according to the specified distances in order to permit accessibility from each side, to guarantee correct operation, maintenance, and repair of the unit. The components of the outdoor unit must be reachable and removable under safe conditions for people and the unit.

※ In case you want more information about the controllers and accessories, please refer to the Controller and Accessory TDB on pvi.Samsung.com site or Global Partner Portal site.

13. Installation

Conncting the cables to the outdoor unit

AJ040/050NCJ2EG



Specification for circuit breaker and power supply cord

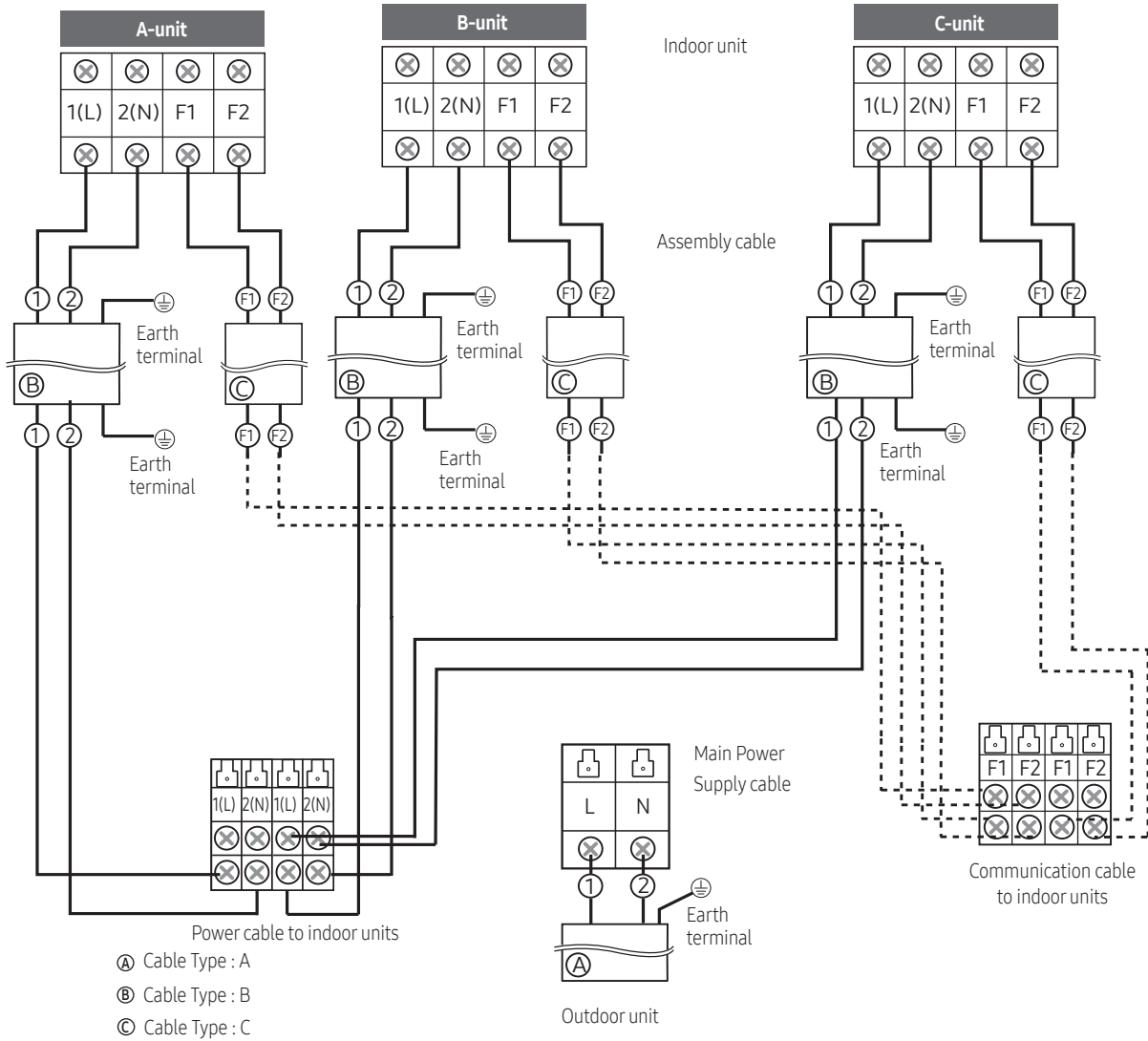
- Power supply cord is not supplied with air conditioner.
- Select the power supply cord in accordance with relevant local and national regulations.
- Wire size must comply with the applicable local and national code.
- Specifications for local wiring power supply cord and branch wiring are in compliance with local cord.

Model		Outdoor Units		Maximun Input Current[A]			Power Supply	
		Rated		Outdoor	Indoor(Max.)	Total	MCA	MFA
Outdoor Unit	Indoor Unit	Hz	Volts					
AJ040NCJ2EG	2 Room	50	1phase, 220-240	9	0.8	9.8	9.8	11.25
AJ050NCJ2EG	2 Room	50	1phase, 220-240	11	0.8	11.8	11.8	13.75

※ In case you want more information about the controllers and accessories, please refer to the Controller and Accessory TDB on pvi.Samsung.com site or Global Partner Portal site.

13. Installation

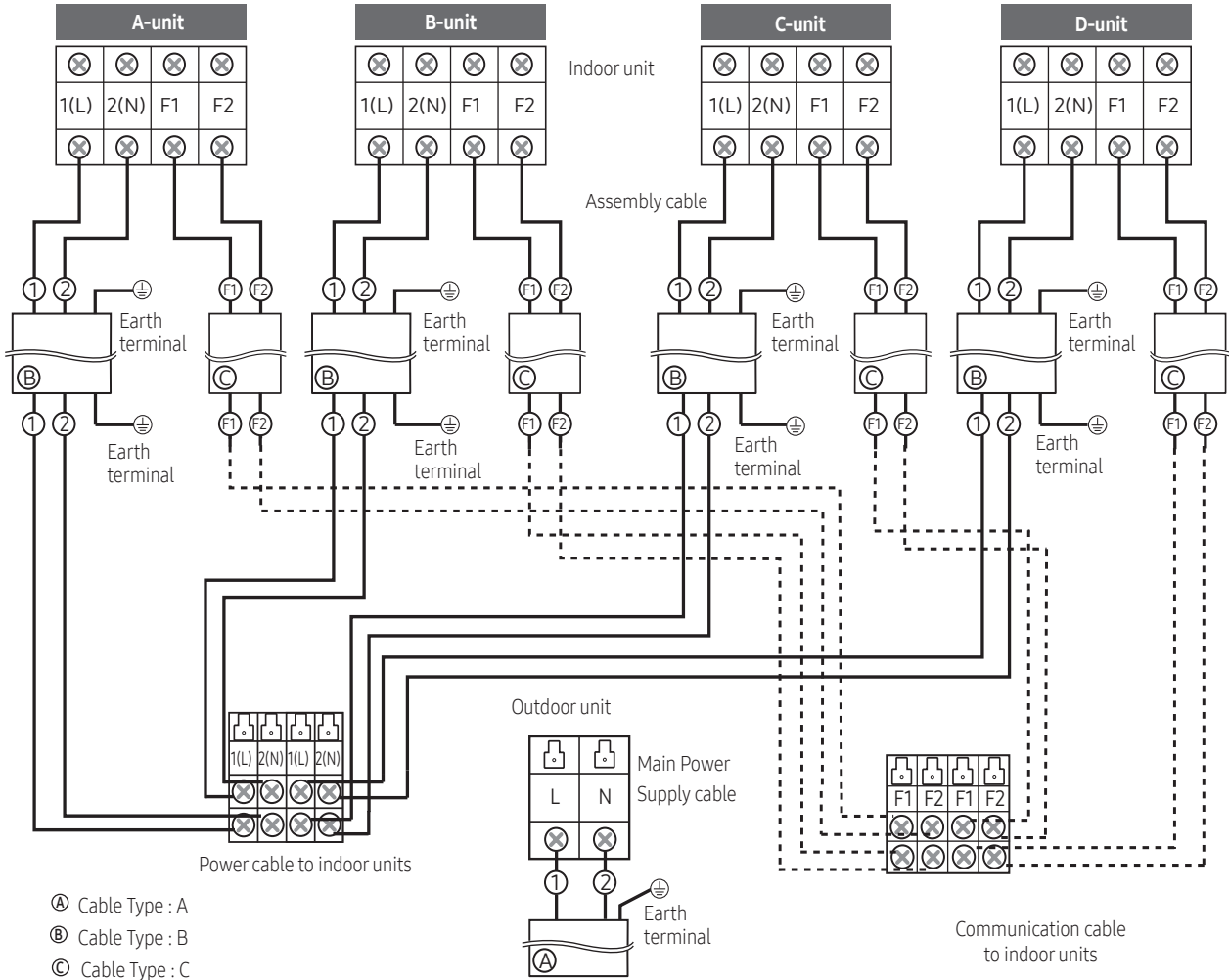
AJ052/068RCJ3EG



※ In case you want more information about the controllers and accessories, please refer to the Controller and Accessory TDB on pvi.Samsung.com site or Global Partner Portal site.

13. Installation

AJ080RCJ4EG



Specification for circuit breaker and power supply cord

- Power supply cord is not supplied with air conditioner.
- Select the power supply cord in accordance with relevant local and national regulations.
- Wire size must comply with the applicable local and national code.
- Specifications for local wiring power supply cord and branch wiring are in compliance with local cord.

Model		Outdoor Units		Maximun Input Current[A]			Power Supply	
		Rated	Rated	Outdoor	Indoor(Max.)	Total	MCA	MFA
Hz	Volts							
Outdoor Unit	Indoor Unit							
AJ052RCJ3EG	3 Room	50	1phase,220-240	11	0.9	11.9	11.9	13.75
AJ068RCJ3EG	3 Room	50	1phase,220-240	16.6	0.9	17.5	17.5	20.75
AJ080RCJ4EG	4 Room	50	1phase,220-240	16.6	1.2	17.8	17.8	20.75

※ In case you want more information about the controllers and accessories, please refer to the Controller and Accessory TDB on pvi.Samsung.com site or Global Partner Portal site.

13. Installation

NOTE

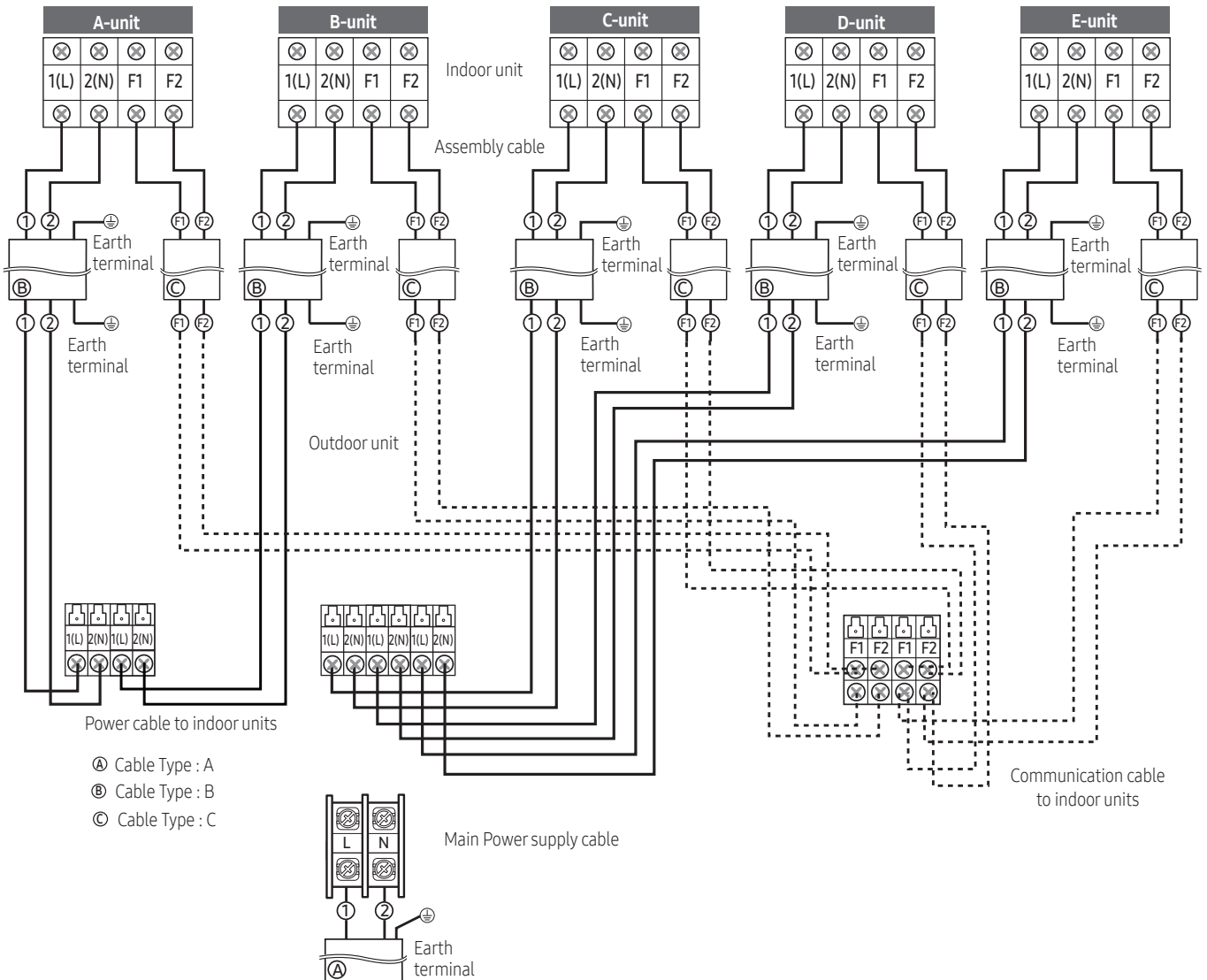
- Power supply cords of parts of appliances for outdoor use shall not be lighter than polychloroprene sheathed flexible cord. (Code designation IEC:60245 IEC 57 / CENELEC: H05RN-F or IEC:60245 IEC 66 / CENELEC: H07RN-F)
- Select power supply cord based on MCA.
- MFA is used to select the circuit breaker and the ground fault circuit interrupter (earth leakage circuit breaker).
- MCA represents maximum input current.
- MFA represents capacity which may accept MCA.

Abbreviations

- MCA : Min. Circuit Amps. (A)
- MFA : Max. Fuse Amps. (A)

Screw	Tighten Torque(kgf.cm)	Position
M4	12.0~18.0	1(L),2(L),L,N,F1,F2

AJ100RCJ5EG



※ In case you want more information about the controllers and accessories, please refer to the Controller and Accessory TDB on pvi.Samsung.com site or Global Partner Portal site.

13. Installation

Specification for circuit breaker and power supply cord

- Power supply cord is not supplied with air conditioner.
- Select the power supply cord in accordance with relevant local and national regulations.
- Wire size must comply with the applicable local and national code.
- Specifications for local wiring power supply cord and branch wiring are in compliance with local code.

Model		Outdoor Units		Maximum Input Current[A]			Power Supply	
		Rated		Outdoor	Indoor(Max.)	Total	MCA	MFA
Outdoor Unit	Indoor Unit	Hz	Volts					
AJ100RCJ5EG	5 Room	50	1phase,220-240	23.0	1.5	24.5	24.50	28.75

NOTE

- Power Supply cords of parts of appliances for outdoor use shall not be lighter than polychloroprene sheathed flexible cord. (Code designation IEC:60245 IEC 57 / CENELEC: H05RN-F , IEC:60245 IEC 66 / CENELEC: H07RN-F)
- Select power supply cord based on MCA.
- MFA is used to select the circuit breaker and the ground fault circuit interrupter (earth leakage circuit breaker).
- MCA represents maximum input current.
- MFA represents capacity which may accept MCA.

Abbreviations

- MCA : Min. Circuit Amps. (A)
- MFA : Max. Fuse Amps. (A) Tightening power terminal

Screw	Tighten Torque(kgf.cm)	Position
M4	12.0~18.0	1(L),2(L),L,N,F1,F2

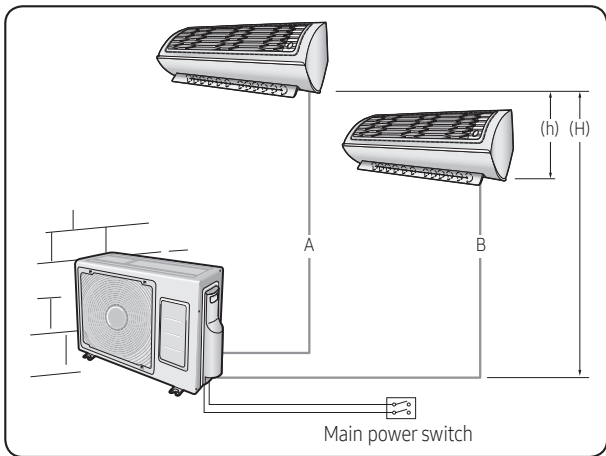
※ In case you want more information about the controllers and accessories, please refer to the Controller and Accessory TDB on pvi.Samsung.com site or Global Partner Portal site.

13. Installation

AJ040/050NCJ2EG

1 Piping outside diameter

Indoor unit	Out unit	Power supply Ø, V, Hz	Outside diameter	
			Liquid	Gas
07/09/ 12***	AJ040NCJ2EG AJ050NCJ2EG	1,220- 240, 50	1/4"	3/8"

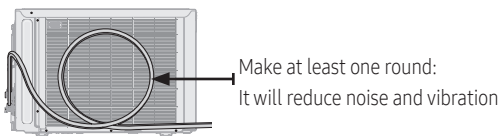


NOTE

- This product requires no additional refrigerant charge up to the maximum allowable pipe length.

Maximum allowable refrigerant charge amount	
AJ040NCJ2EG/EU	980 g
AJ050NCJ2EG/EU	1180 g

- AJ***NCJ2EG Outdoor unit can be connected to the following indoor unit combination.
 - AR**MXWS****
 - AR**NX*****



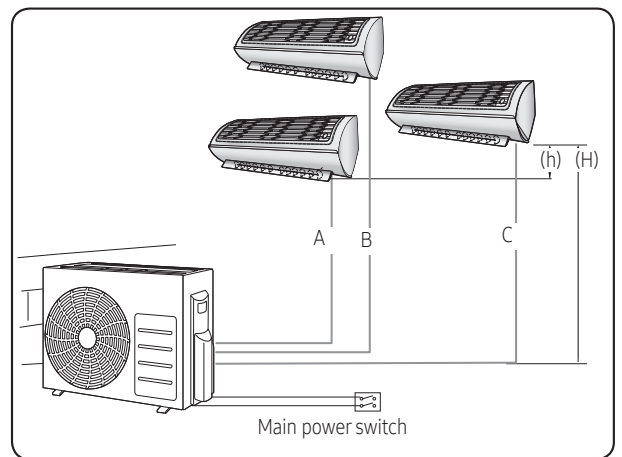
2 Piping length and the height

	1 Room max length	2 Room total max length	Max height between indoor unit & outdoor unit	Max height between indoor units
Dimension	20m	30m	15m	7.5m
Composition	A,B	A+B	(H)	(h)

AJ052/068RCJ3EG

1 Piping outside diameter

Indoor unit	Out unit	Power supply Ø, V, Hz	Outside diameter	
			Liquid	Gas
07/09/ 12*** AJ016/020/026 /035RB*DEG	AJ052RCJ3EG AJ068RCJ3EG	1,220- 240, 50	1/4"	3/8"
AJ052RB*DEG				1/2"

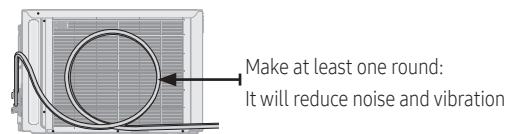


NOTE

- AJ052RCJ3EG Outdoor unit cannot be connected to the following indoor unit combination.
 - AJ052RBNDEG/AJ052RBMDEG
- AJ068RCJ3EG Outdoor unit cannot be connected to the following indoor unit combination.
 - AJ***RBJDEG

2 Piping length and the height

	1 Room max length	3 Room total max length	Max height between indoor unit & outdoor unit	Max height between indoor units
Dimension	25m	50m	15m	7.5m
Composition	A,B,C	A+B+C	(H)	(h)



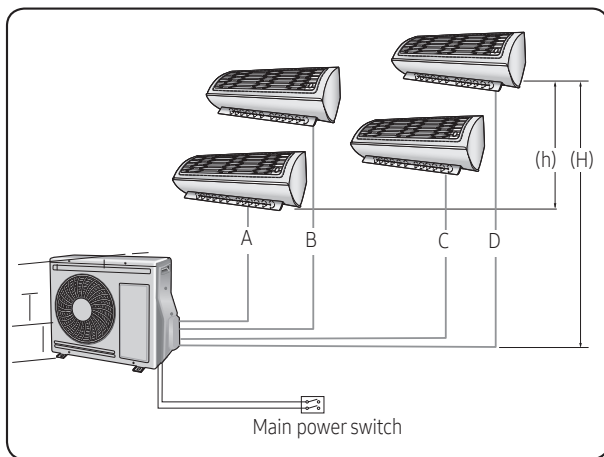
* In case you want more information about the controllers and accessories, please refer to the Controller and Accessory TDB on pvi.Samsung.com site or Global Partner Portal site.

13. Installation

AJ080RCJ4EG

1 Piping outside diameter

Indoor unit	Out unit	Power supply Ø, V, Hz	Outside diameter	
			Liquid	Gas
07/09/ 12*** AJ016/020/026 /035RB*DEG	AJ080RCJ4EG	1,220- 240, 50	1/4"	3/8"
AJ052RB*DEG				1/2"

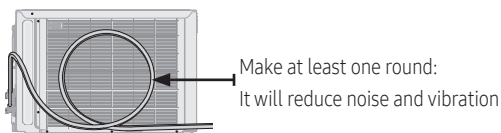


NOTE

- AJ080RCJ4EG Outdoor unit cannot be connected to the following indoor unit combination.
 - AJ***RBJDEG

2 Piping length and the height

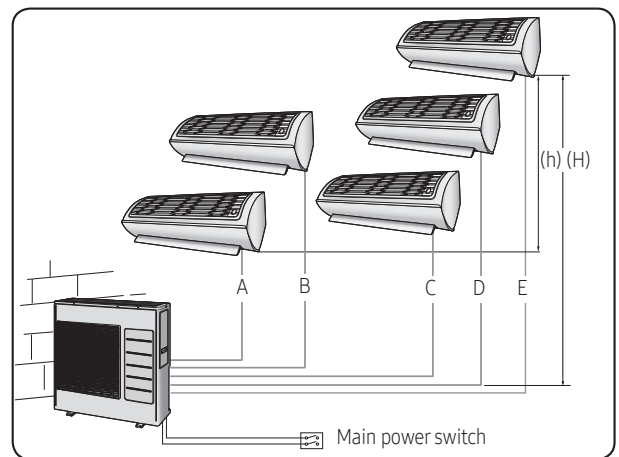
	1 Room max length	4 Room total max length	Max height between indoor unit & outdoor unit	Max height between indoor units
Dimension	25m	70m	15m	7.5m
Composition	A,B,C,D	A+B+C+D	(H)	(h)



AJ100RCJ5EG

1 Piping outside diameter

Indoor unit	Out unit	Power supply Ø, V, Hz	Outside diameter	
			Liquid	Gas
07/09/ 12*** AJ016/020/026 /035RB*DEG	AJ100RCJ5EG	1,220- 240, 50	1/4"	3/8"
AJ052RB*DEG				1/2"

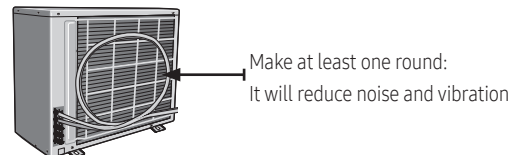


NOTE

- AJ100RCJ5EG Outdoor unit cannot be connected to the following indoor unit combination.
 - AJ***RBJDEG

2 Piping length and the height

	1 Room max length	5 Room total max length	Max height between indoor unit & outdoor unit	Max height between indoor units
Dimension	25m	75m	15m	7.5m
Composition	A,B,C,D,E	A+B+C+D+E	(H)	(h)



※ In case you want more information about the controllers and accessories, please refer to the Controller and Accessory TDB on pvi.Samsung.com site or Global Partner Portal site.

13. Installation

- Because your air conditioner contains R-32 refrigerant, make sure that it is installed, operated, and stored in a room whose floor area is larger than the minimum required floor area specified in the following table:

Minimum required room area (A,m ²)			
m (kg)	Ceiling-mounted	Wall-mounted	Floor-standing
≤1.842	No requirement		
1.843	3.64	4.45	28.9
1.9	3.75	4.58	30.7
2.0	3.95	4.83	34.0
2.2	4.34	5.31	41.2
2.4	4.74	5.79	49.0
2.6	5.13	6.39	57.5
2.8	5.53	7.41	66.7
3.0	5.92	8.51	76.6
3.2	6.48	9.68	87.2
3.4	7.32	10.9	98.4
3.6	8.20	12.3	110
3.8	9.14	13.7	123
4.0	10.1	15.1	136
4.2	11.2	16.7	150
4.4	12.3	18.3	165
4.6	13.4	20.0	180
4.8	14.6	21.8	196
5.0	15.8	23.6	213

- m : Total refrigerant charge in the system
- A : Minimum required floor area

- **IMPORTANT:** it's mandatory to consider either the table above or taking into consideration the local law regarding the minimum living space of the premises.
- Minimum installation height of indoor unit is 0.6 m for floor mounted, 1.8 m for wall, 2.2 m for ceiling.

CAUTION

- 3 m as minimum pipe length: It will reduce noise and vibration.
- Tighten the nuts to the specified torques. If overtightened, the nuts could be broken so refrigerant may leak.
- Protect or enclose refrigerant tubing to avoid mechanical damage.

NOTE

- The appearance of the unit may be different from the diagram depending on the model.
- You can use the Cool and Heat modes in the following conditions :

AJ040/050NCJ2EG

Mode	Cool	Heat
Outdoor temperature	-5 °C to 46 °C	-15 °C to 24 °C

AJ052/068RCJ3EG , AJ080RCJ4EG , AJ100RCJ5EG

Mode	Cool	Heat
Outdoor temperature	-10 °C to 46 °C	-15 °C to 24 °C

- It could take maximum 60 minutes to operate for the protection of the compressor, if the outdoor temperature is below -5°C.

※ In case you want more information about the controllers and accessories, please refer to the Controller and Accessory TDB on pvi.Samsung.com site or Global Partner Portal site.

2019. 07
Ver.3.0

Samsung Electronics Co., LTD.

Head Office (Suwon Korea) 129, Samsung-Ro, Yeongtong-Gu, Suwon City, Gyeonggi-Do, Korea 16677
Website : www.samsung.com, <https://partnerhub.samsung.com> Email : airconditioner@samsung.com
Images and data in this book may subject to change without prior notice.