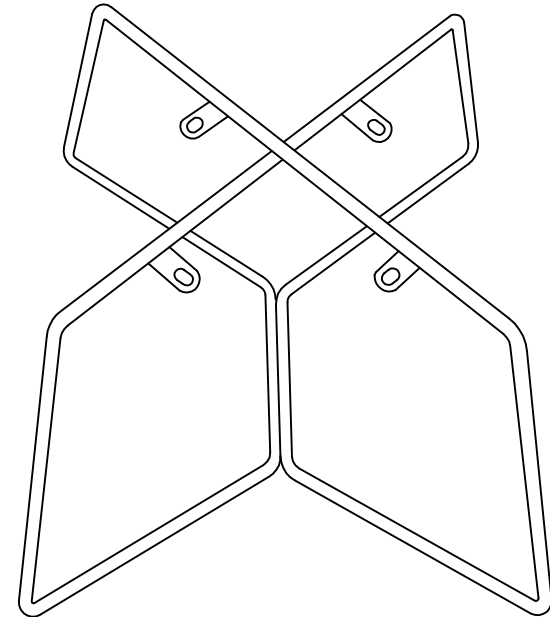


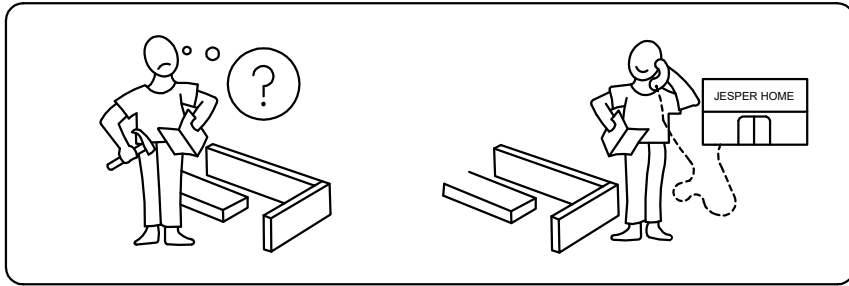
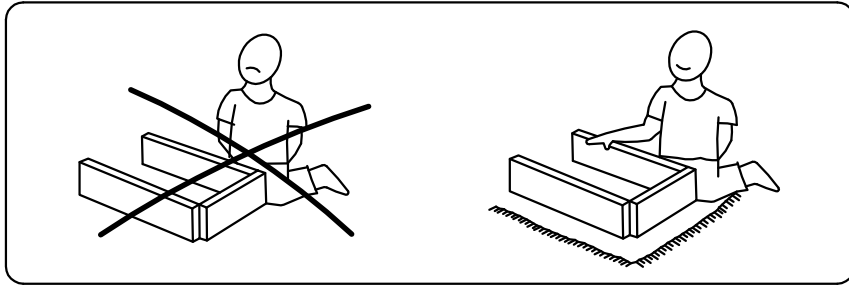
ARTICLECODE: **CSS-BL04**  
**CSS-GL04**  
**CSS-RG04**  
**CSS-SS04**  
**CSS-WH04**



# BEEHIVE

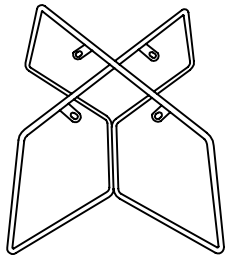
---

**JESPERHOME**  
▲ ● ◐



PLEASE MAKE SURE ALL PARTS ARE INCLUDED

If not, email [service@jesperhome.com](mailto:service@jesperhome.com)



Leg x1

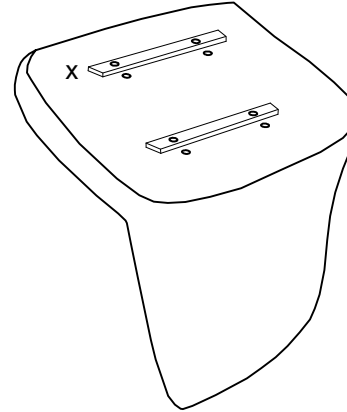
M6x12 4x

M6x16 4x

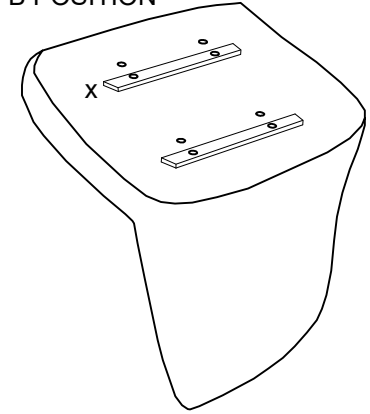
4MM 1x

### STEP-1

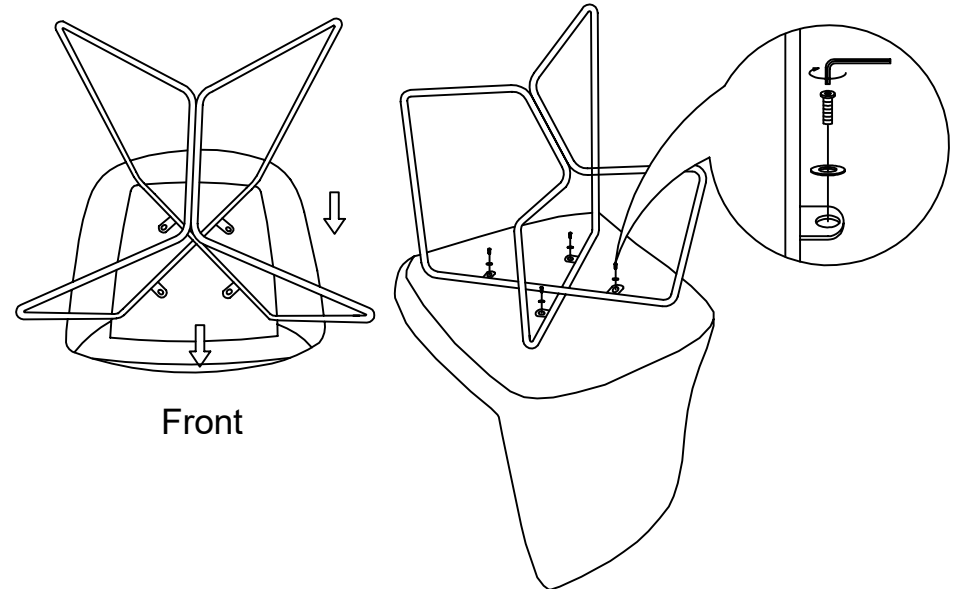
A POSITION



B POSITION



LEG WITH A POSITION



Front