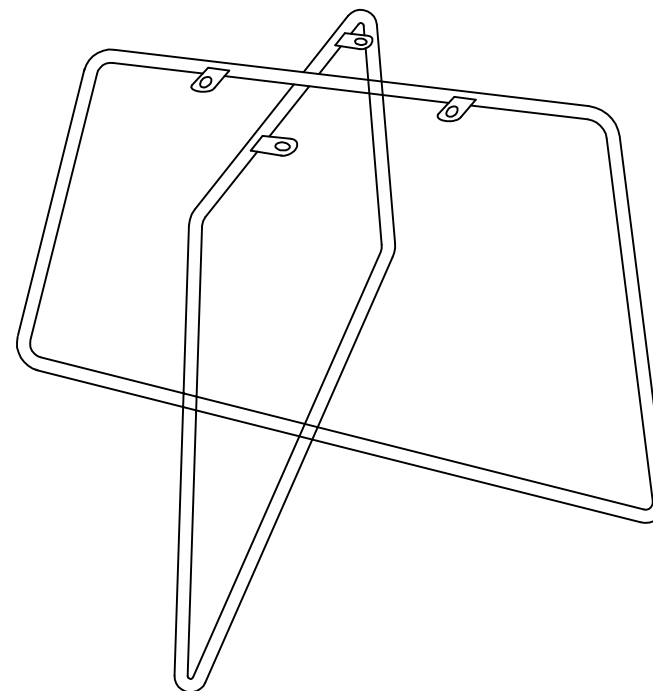
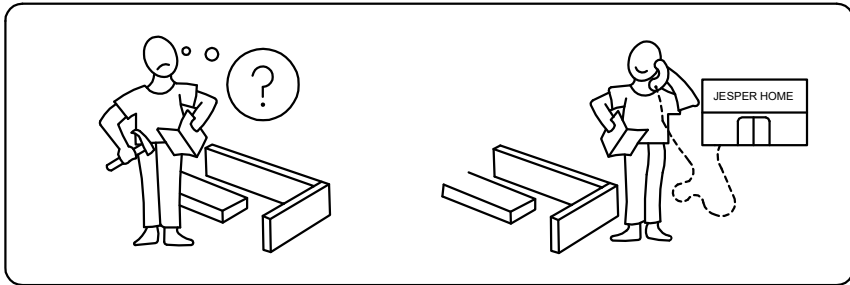
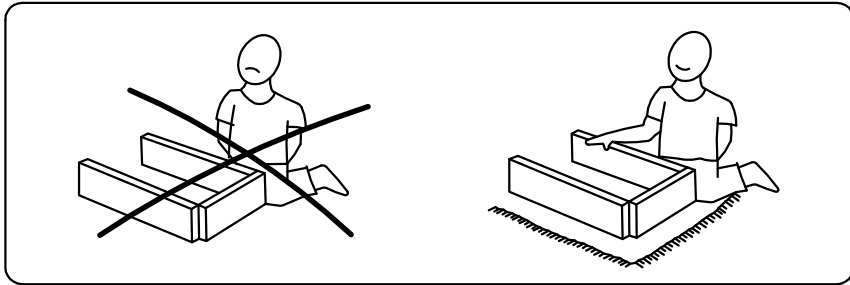


ARTICLECODE: **CSS-BL02**
CSS-GL02
CSS-RG02
CSS-SS02
CSS-WH02



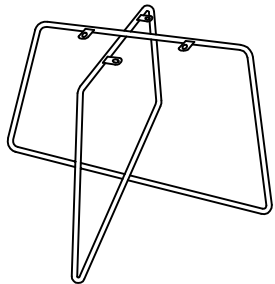
CROSS

JESPERHOME
▲ ● ◐

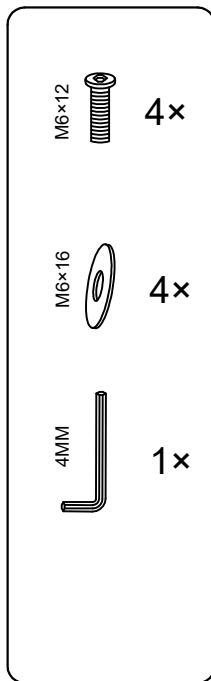


PLEASE MAKE SURE ALL PARTS ARE INCLUDED

If not, email service@jesperhome.com

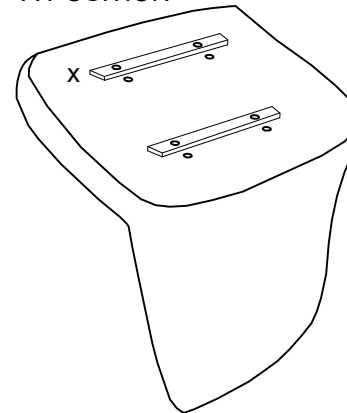


Leg x1

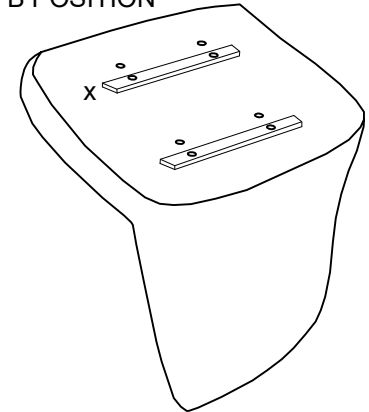


STEP-1

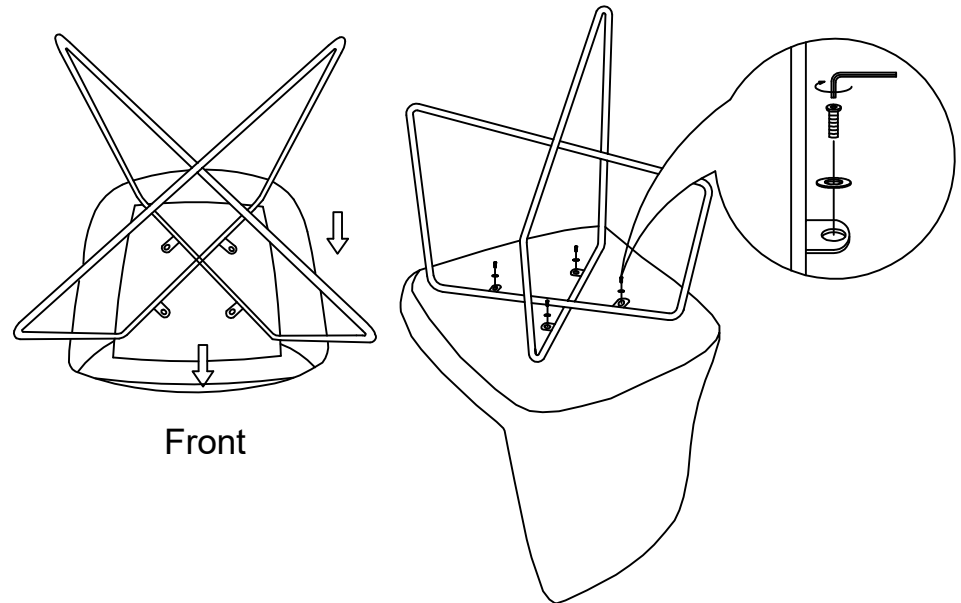
A POSITION



B POSITION



LEG WITH A POSITION



Front