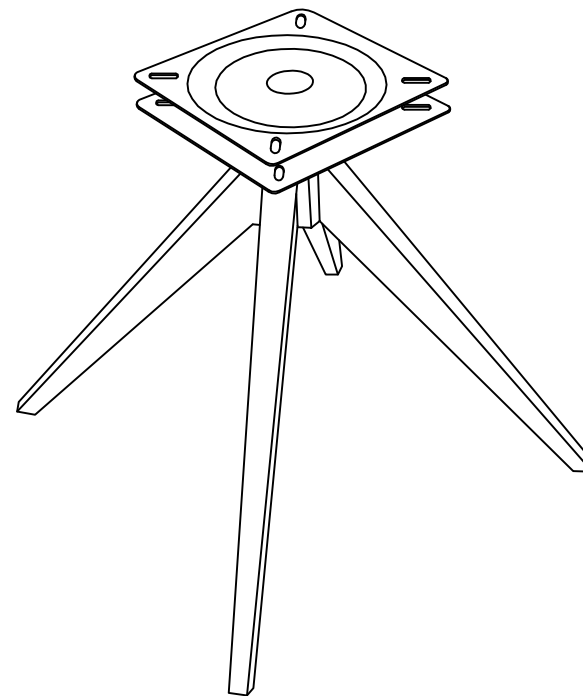


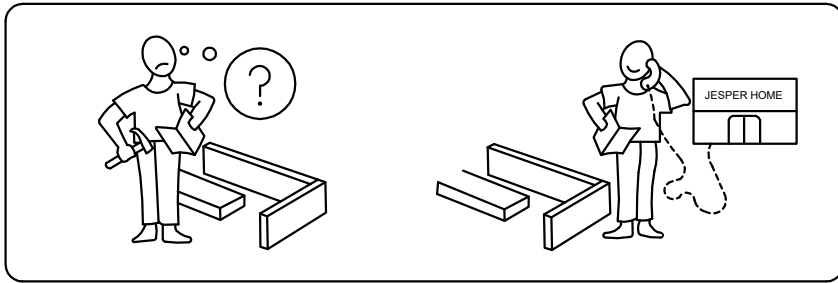
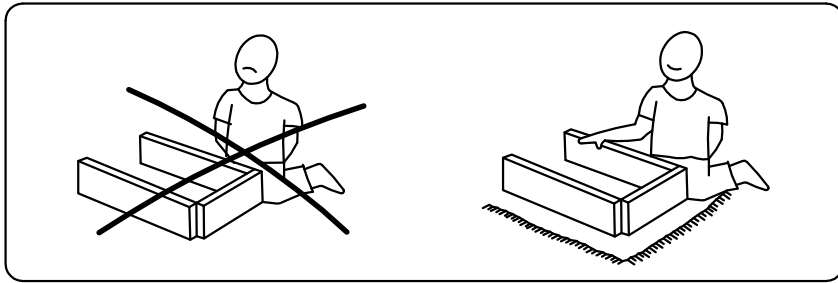
ARTICLECODE: **CSS-BL03**  
**CSS-GL03**  
**CSS-RG03**  
**CSS-SS03**  
**CSS-WH03**



# TURN

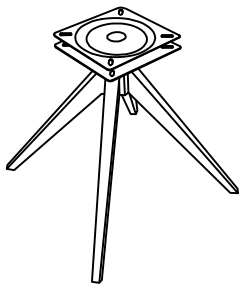
---

**JESPERHOME**  
▲ ● ◐

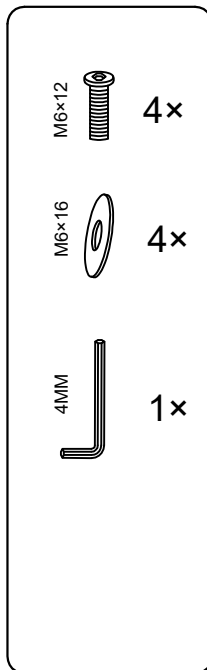


PLEASE MAKE SURE ALL PARTS ARE INCLUDED

If not, email [service@jesperhome.com](mailto:service@jesperhome.com)

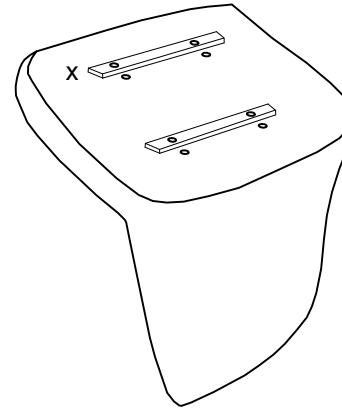


Leg x1

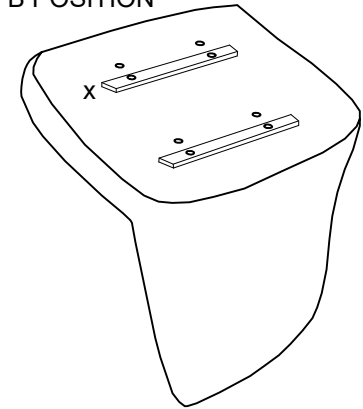


### STEP-1

A POSITION



B POSITION



LEG WITH B POSITION

