

# Super Pump<sup>®</sup> Pro

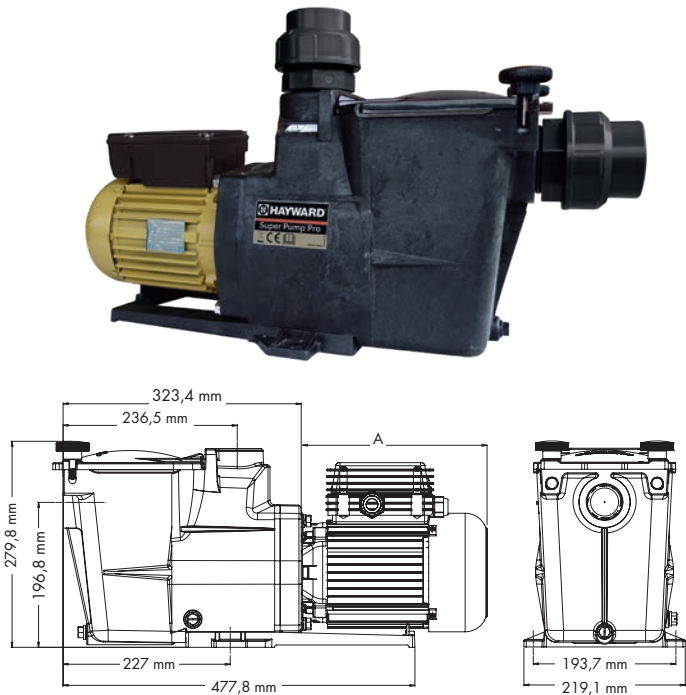
## EXPERT LINE



**PROVEN RELIABILITY, ESPECIALLY IMAGINED FOR PROFESSIONALS**

- **Heavy duty, high performance** new motor, even more reliable and durable
- Extended-life Viton<sup>®</sup> and pure graphite pump seal for improved **resistance against chemicals and accidental dry running**
- **Easy maintenance:** large basket and exclusive swing-away hand knobs - no tools required
- **Slip union kit included** (all) and threaded adaptor 2" to 1.5" (included up to 1 HP)
- Direct replacement of former Super Pump<sup>®</sup> without any installation modification
- Recommended for pools **up to 120 m<sup>3</sup>\***

\* Calculation based on 6 hours turnover



Union kit included  
2" / 50 mm (1/2-1HP)  
2" / 63 mm (1.5-2HP)

See-through strainer cover

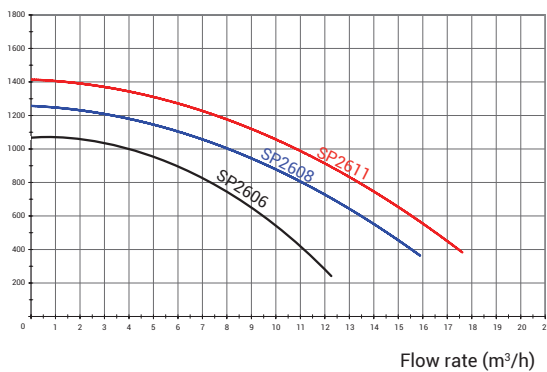
Threaded adaptor

### Technical Specifications

Max. water temp.	35°C
Adapter	2" / 50 mm (1/2-1HP) - 2" 63 mm (1,5 -2HP)
Mechanical seal	AISI 304 Viton <sup>®</sup> , suitable for salt water
Motor specifications	Class F, IP55, 50Hz, 2 Poles
Housing/impeller/strainer/lid	PP+GF/Noryl <sup>®</sup> + GF/ABS/PC

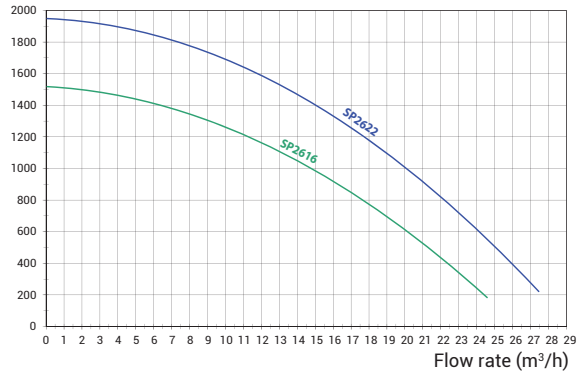
### • Unions 50 mm

Pressure (mbar)



### • Unions 63 mm

Pressure (mbar)



	Type	Dim. A	Weight	Flow rate*	I/O	Unions	Input Power P1	Output Power P2	Amperage	Item
<b>SINGLE PHASE SUPER PUMP<sup>®</sup> PRO</b>	1/2 HP	213 mm	14.5 kg	8.9 m <sup>3</sup> /h	2" /1.5"	2"/50 mm	800 W	550 W	3.55 A	SP2606XY81
	3/4 HP	213 mm	14.5 kg	11.5 m <sup>3</sup> /h	2" /1.5"	2"/50 mm	800 W	550 W	3.55 A	SP2608XY111
	1 HP	213 mm	15 kg	13.5 m <sup>3</sup> /h	2" /1.5"	2"/50 mm	1080 W	790 W	4.8 A	SP2611XY161
	1.5 HP	213 mm	15 kg	17.5 m <sup>3</sup> /h	2"	2"/63 mm	1080 W	790 W	4.8 A	SP2616XY221
	2 HP	254 mm	18.5 kg	22 m <sup>3</sup> /h	2"	2"/63 mm	1520 W	1200 W	6.8 A	SP2622XY251
<b>THREE PHASE SUPER PUMP<sup>®</sup> PRO</b>	1 HP	254 mm	15.5 kg	13.5 m <sup>3</sup> /h	2" /1.5"	2"/50 mm	910 W	750 W	2.85/1.65 A	SP2611XY163 <b>IE3</b> ✓
	1.5 HP	254 mm	15.5 kg	18 m <sup>3</sup> /h	2"	2"/63 mm	910 W	750 W	2.85/1.65 A	SP2616XY223 <b>IE3</b> ✓
	2 HP	254 mm	17.5 kg	22.4 m <sup>3</sup> /h	2"	2"/63 mm	1 310 W	1 100 W	4.0/2.3 A	SP2622XY253 <b>IE3</b> ✓

\* under 8 m water column pressure