

CONSTIX™ Swab, SV-3

Sealed polyester swabs for surface cleaning validation

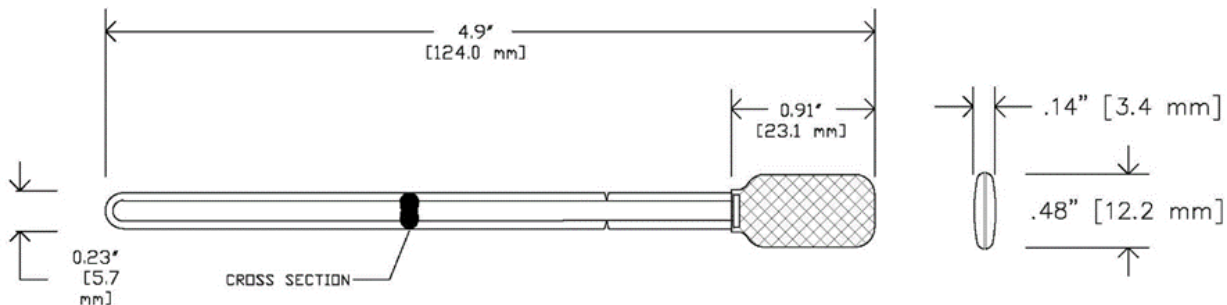
Description

The SV-3 is a sealed polyester swab that's been specifically designed for validation of surface cleaning protocols. The head is constructed of a double layer knit polyester fabric that's been cleaned using a proprietary process to minimize background TOC contribution. The polyester head is constructed without adhesives or binders, which makes the swab compatible with most common solvents, such as alcohols and ketones.

The large paddle of SV-3 provides broader surface coverage for contamination retrieval in critical applications. The head is thermally bonded to a notched polypropylene handle to minimize handling and improve insertion in vials. The swab can be sterilized by most common methods and the small put up ensures accurate testing with little waste. Each pack of SV-3 contains five swabs packaged inside a cleanroom grade zipper bag.

Technical Data

Certified Low TOC	<50 µg/L (ppb)
Swab head material	Dual Layer 100% Knit Polyester
Swab handle material	100% Virgin Polypropylene with Notches
Construction	Thermally Sealed
Packaging	Five Swabs per Cleanroom Grade Zipper Bag



Notes:

- 1) Data shown are typical values and should not be used as product specifications.
- 2) Valid product comparisons may only be obtained through side-by-side testing in the same test facility, under similar conditions.
- 3) Current and/or comparison data may be available. Please contact a Contec sales representative for details.

Revision date: 03/01/18



Copyright © 2018 Contec, Inc. All rights reserved.



PROCLEANROOM
BUY YOUR SUPPLIES ONLINE