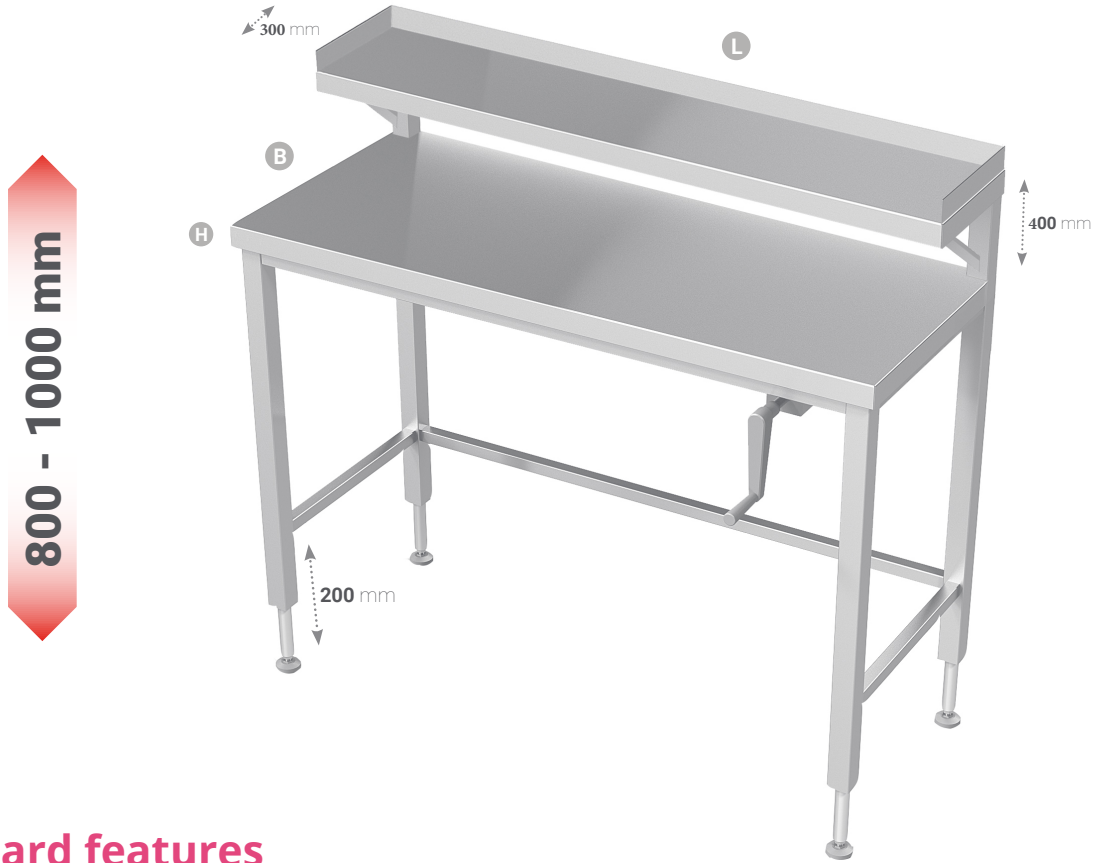


Manual height adjustable cleanroom table with shelf

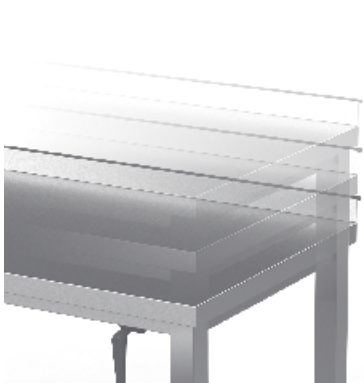
L 400 - 2000 mm

B 600 - 700 mm

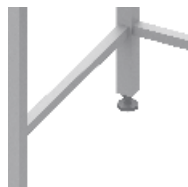
H 800 - 1000 mm



Standard features



Adjustable height (800 - 1000 mm)



Welded frame. Legs made of stainless steel tube 40x40 mm. Frame made of stainless steel tube 25x25 mm



Adjustable feet (amplitude 20 mm +15/-5)



Height adjustment handle



Max loading 120 kg/tabletop (uniform layout)