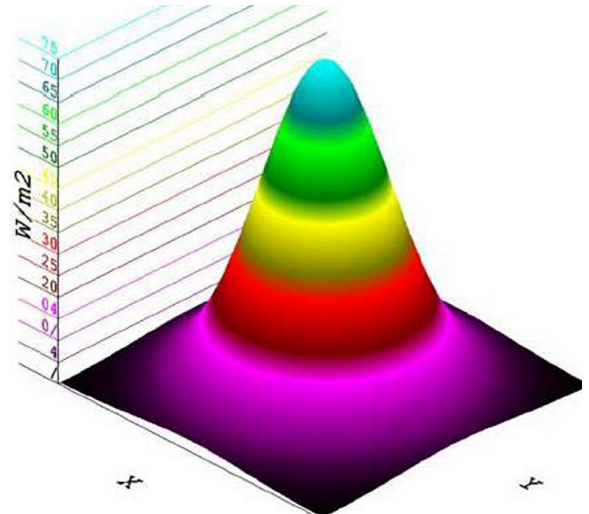
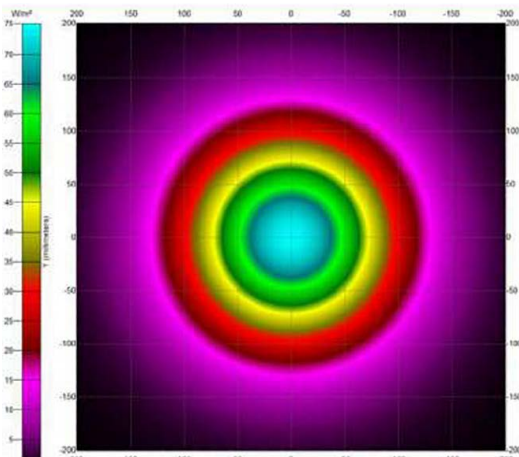


AJR UV-LED hand held rechargeable UV LED lamp

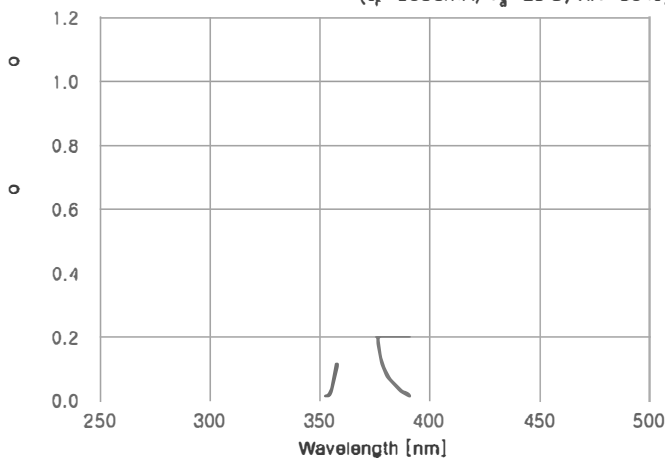
- Power energy – energy saving of only 9VA
- The average service life of the light source 30000h!
- The content of UV-B is 0.
- 3-4 hours of battery life.
- Quick replacement battery
- Including the weight of the battery less than 500 g.
- External without wiring
- Quartz and optical glass module, non PMMA material, excellent weather resistance.
- Continuous working outside surface temperature <math>< 5K (5^{\circ}C)</math>



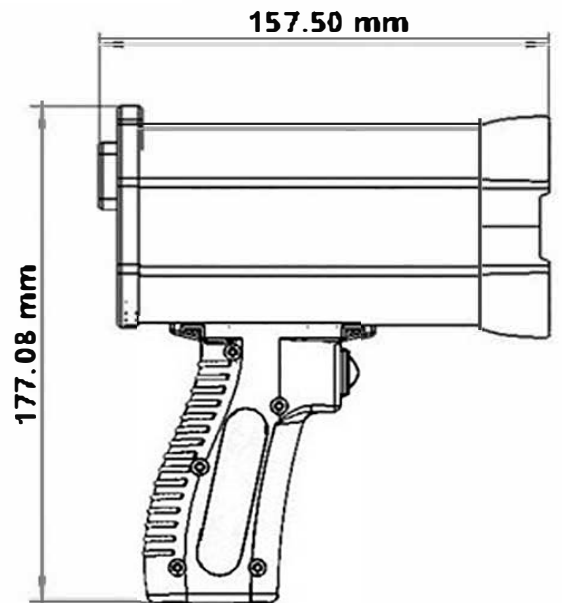
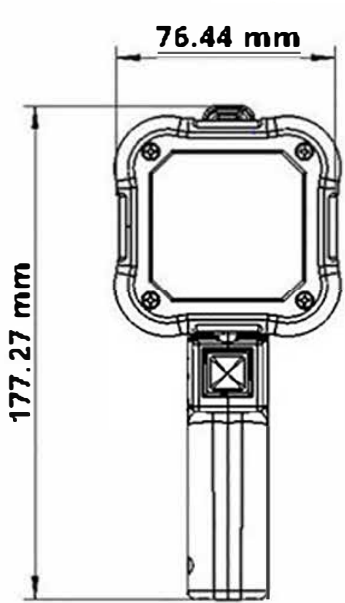
UV irradiation distribution map (380mm)



($I_f=1000mA$, $T_a=25^{\circ}C$, $RH=30\%$)



Dimension:
mm



Parameters

| Project | Parameter |
|---|---|
| Form | Handheld type |
| UV(Light)-FLUX Room temperature 25°C 380mm calibration | UV-LED10000+: >10000uW/cm ² ; Light-MAX1500LUX |
| Effective coverage area 380mm calibration | Diameter of about 200mm |
| Wavelength | Room temperature 25°C 365nm±3nm (UVA) |
| FLUX Error | 0-40°C ±10% |
| Light distribution characteristic | The light distribution center |
| Power source | AC100-240V 50/60Hz |
| Power | UV LED-9VA Light-3VA |
| Overall dimensions | 137mm (W) *72mm (D) *176mm (H) |
| Weight | 498g |
| The charging time | 3-4H |
| Battery capacity | 2200mA/H 12.6V |
| Battery life (total time) | UV LED 3-4H or Light 7H |

Note: The above parameters are typical value. Parameters are subject to change without prior notice!