



CONSTIX™ Swab, SF-2

Sealed foam swab, rectangular head

Description

CONSTIX SF-2 sealed foam swab consists of polyurethane foam bonded to a polypropylene handle without the use of adhesives or binders.

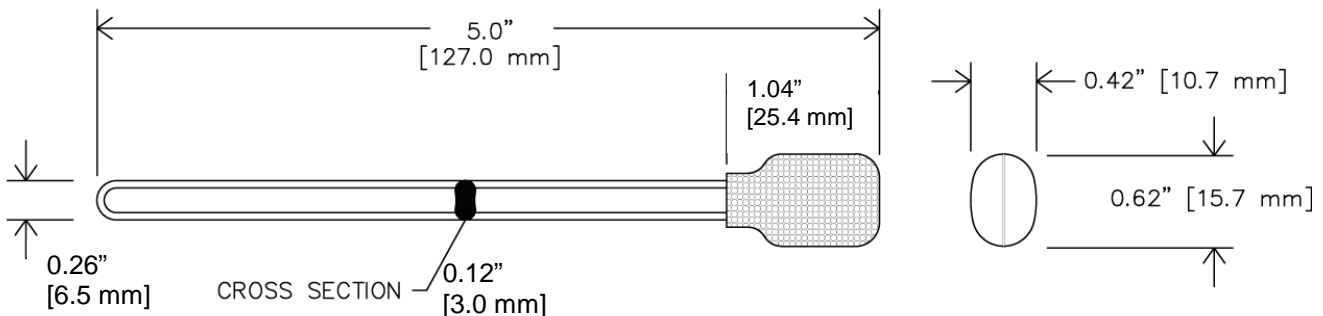
The polyurethane foam head provides good cleaning as well as particle entrapment and removal. The absorbent foam enables solvents, such as isopropanol and ethanol, to be readily sorbed for applications involving solvent delivery or removal.

The large size of the foam head of the SF-2 swab provides good surface coverage and is ideal for swabbing larger areas and applying coatings.

Though compatible with many common solvents, the SF-2 is not recommended for use with ketones such as acetone or MEK.

Technical Data

Swab head material	100 PPI closed-cell polyurethane foam
Swab handle material	100% polypropylene
Construction	Thermally sealed and attached



Notes:

- 1) Data shown are typical values and should not be used as product specifications.
- 2) Valid product comparisons may only be obtained through side-by-side testing in the same test facility, under similar conditions.
- 3) Current and/or comparison data may be available. Please contact a Contec sales representative for details.

Revision date: 06/28/17