



CONSTIX™ Swab, SF-3

Sealed foam swab, oval head

Description

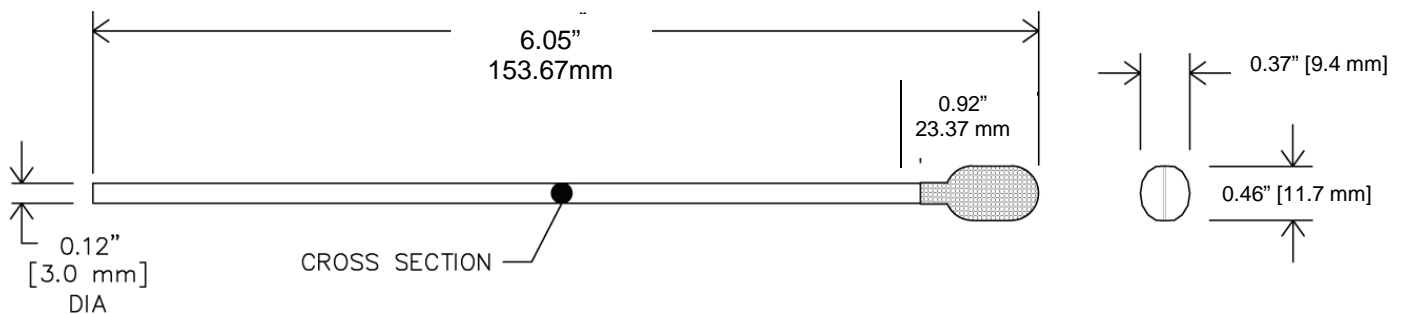
CONSTIX SF-3 sealed foam swab consists of 100 pore-per-inch polyurethane foam thermally bonded to a polypropylene handle.

The cell structure of the polyurethane foam head provides good particle entrapment and removal. The absorbant foam enables solvents, such as isopropanol and ethanol, to be readily sorbed for applications involving solvent delivery or removal. Large head is ideal for cleaning and applying coatings.

Though compatible with many common solvents, the SF-3 is not recommended for use with ketones such as acetone or MEK.

Technical Data

Swab head material	100 PPI open-cell polyurethane foam
Swab handle material	100% polypropylene
Construction	Thermally sealed and attached



Notes:

- 1) Data shown are typical values and should not be used as product specifications.
- 2) Valid product comparisons may only be obtained through side-by-side testing in the same test facility, under similar conditions.
- 3) Current and/or comparison data may be available. Please contact a Contec sales representative for details.

Revision date: 06/28/17