



CONSTIX™ Swab, SF-5

Sealed foam swab, flexible paddle tip

Description

CONSTIX SF-5 a sealed foam swab consists of a polyurethane foam bonded to a flex-tip polypropylene handle without the use of adhesives or binders.

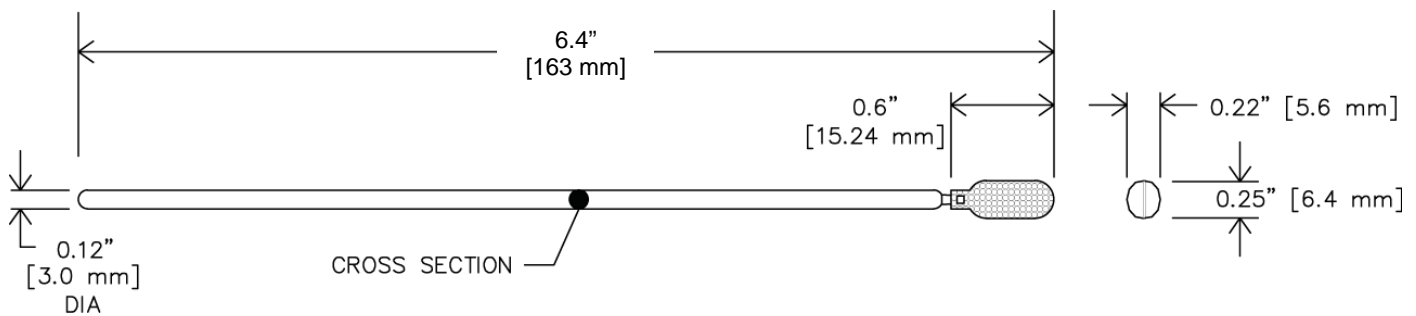
The polyurethane foam head provides good particle entrapment and removal. The absorbant foam enables solvents, such as isopropanol and ethanol, to be readily sorbed for applications involving solvent delivery or removal.

The flexible tip of the SF-5 swab provides good surface contact and controlled pressure to surfaces. Excellent for applying resins and adhesives.

Though compatible with many common solvents, the SF-5 is not recommended for use with ketones such as acetone or MEK.

Technical Data

| | |
|----------------------|-------------------------------------|
| Swab head material | 100 PPI open-cell polyurethane foam |
| Swab handle material | 100% polypropylene |
| Construction | Thermally sealed and attached |



Notes:

- 1) Data shown are typical values and should not be used as product specifications.
- 2) Valid product comparisons may only be obtained through side-by-side testing in the same test facility, under similar conditions.
- 3) Current and/or comparison data may be available. Please contact a Contec sales representative for details.

Revision date: 06/28/17