

# Labino Flexible Arm



MAKES IT BRIGHT

## RUGGED BODY | EASY TO MOUNT | CUSTOMIZED BRACKET FOR PSU

- The Flexible Arm is a product that can position your MidBeam or BigBeam at your choice of height and angle, ready for inspection. It comes with a bracket for conveniently storing the Power Supply Unit close to a hard surface and avoid interference from moving items (PSU) and cables during the inspection.
- The stand can easily be mounted on the wall or on a bench with 4 screws.
- The solid construction provides a good support for your lamp and makes your inspection easier.

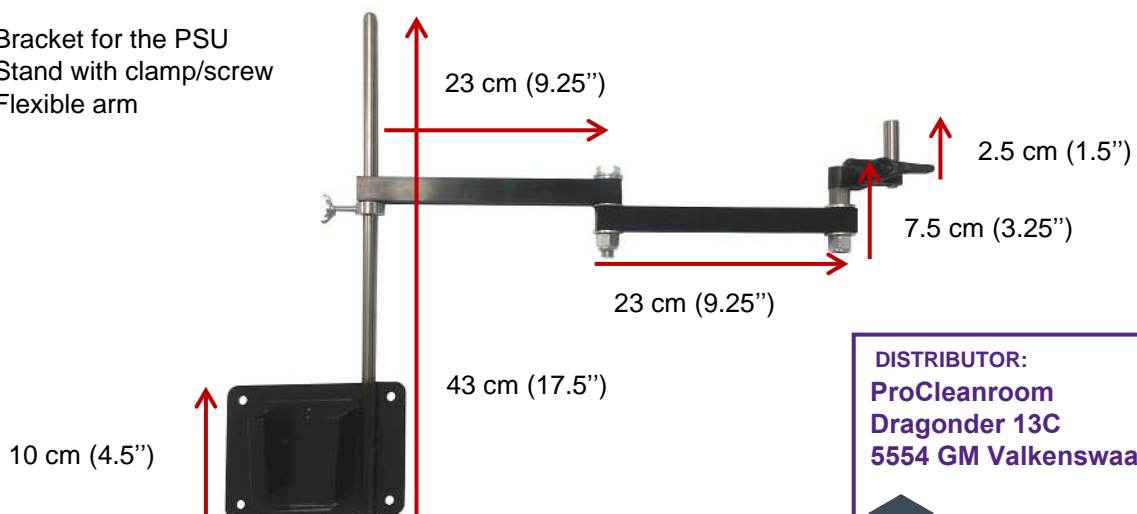


## TECHNICAL SPECIFICATION

### Includes

- 1 Bracket for the PSU
- 1 Stand with clamp/screw
- 1 Flexible arm

### Dimensions



DISTRIBUTOR:  
ProCleanroom  
Dragonder 13C  
5554 GM Valkenswaard

