

**HYUNDAI**  
POWER PRODUCTS



## **30m Retractable Hose Reel 58601**

- Ⓝ Gebruiksaanwijzing
- ⓔ Instruction manual
- ⓕ Mode d'emploi
- ⓓ Gebrauchsanleitung
- Ⓟ Instrukcja obsługi



### **WARNING**

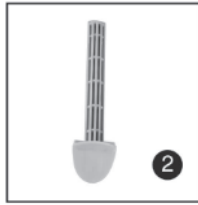
- Read the manual carefully before use
- Not intended for use by children



**PARTS LIST:**



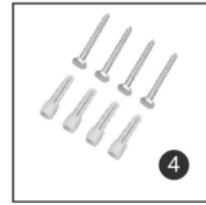
**1. Wall Mounting Bracket**



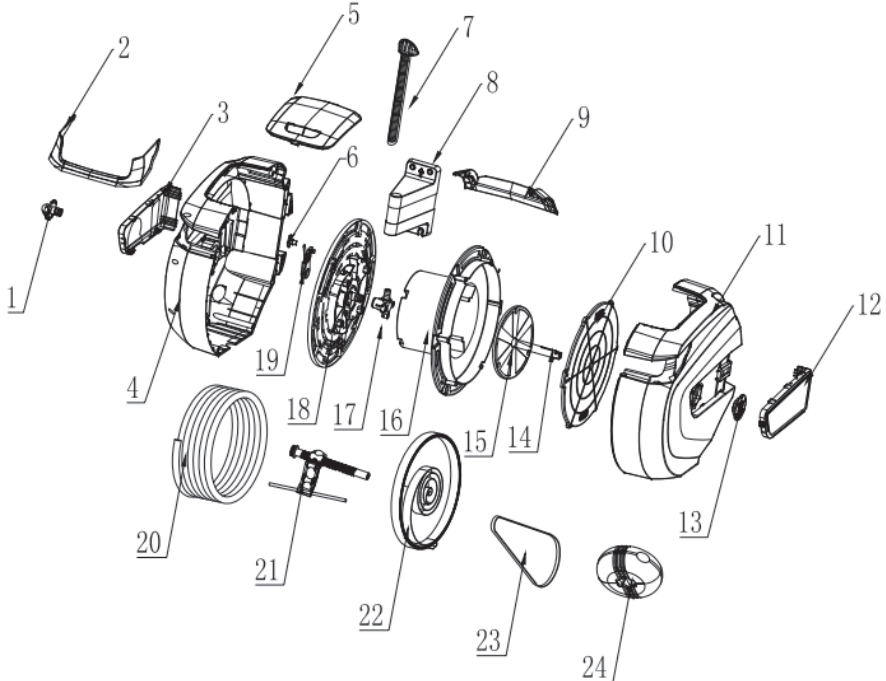
**1. Mounting Bracket Rod**



**1. Hose Nozzle**



**1. Masonry Wall Plug & Screws Set**

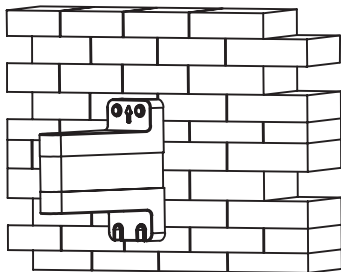


- 1. Inlet Hose Connector
- 2. Front Shield
- 3. Left Side Panel
- 4. Left Housing
- 5. Top Cap
- 6. Hose Guide Screw Sleeve
- 7. mounting Bracket Rod
- 8. Wall Mount Bracket
- 9. Handle Bar
- 10. Spring Housing Cover
- 11. Right Housing
- 12. Right Side Panel

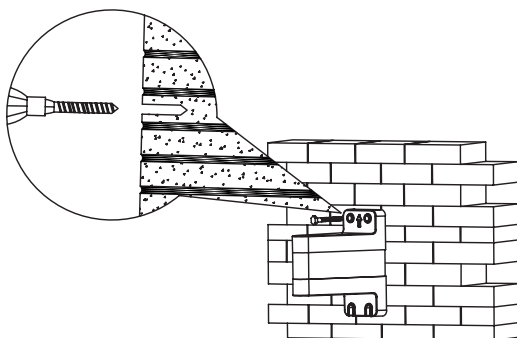
- 13. Spring Tension Cover
- 14. Center Shaft
- 15. Drum Wheel Cover
- 16. Down- Drum Wheel
- 17. Outlet Hose Connector
- 18. Up- Drum Wheel
- 19. Lock Pin
- 20. Hose
- 21. Hose Guide Assembly
- 22. Spring
- 23. Guide Belt
- 24. Stop Ball

## 1. INSTALLATION

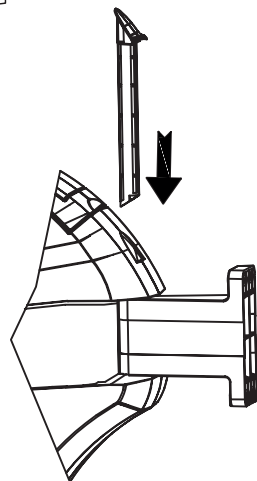
- > Choose a suitable position on your wall. Mark and drill 4 holes to correspond with the positions of the holes in the wall bracket. (Note - The bracket can be mounted on other secure structures, but fixings included are only suitable for masonry anchoring.) Ensure the holes size is suitable for the plastic masonry anchors included. Insert the plastic anchors into the wall. Note: Fix the wall bracket upwards.



- > Fix the bracket to the wall using the bolts provided.



- > Align the hose reel with the vertical holes in the bracket and insert the pivot bar through the bracket and reel.



> Attach the short connecting hose from the hose reel body to the cap. Once you turn on your tap, the water will flow through this hose, through the hose reel to the spray nozzle. You can regulate the water flow by twisting the end of the spray nozzle.

## 2. OPERATION

This hose reel system has been equipped with an click-lock mechanism. To operate, pull the hose out to the desired length. When you stop pulling, the hose will automatically stop. To engage the automatic hose recoil, give it a short sharp pull and you will feel the hose automatically retract. You can interrupt this process by pulling the hose again. In order to retract the hose safely, please ensure you keep hold of the hose end while waking towards the hose reel. Letting go of the hose, may result injury.

## 3. MAINTENANCE

- 1). Always keeps the Hose clean after use.
- 2). It is recommended to turn off water flow at your garden tap before retracting the hose.
- 3). When not in use for long period, it is advisable to store your hose in a covered area.

## 4. TECHNICAL SPECIFICATION

MODEL	HOSE LENGTH	HOSE MATERIAL	PRESSURE	INNER DIAMETER OF HOSE	SIZE OF INNER FITTING
58601	30M	PVC	MAX 24Bar	1/2"	3/4" BSP

# HYUNDAI

## POWER PRODUCTS

Licensed by Hyundai Corporation, Korea