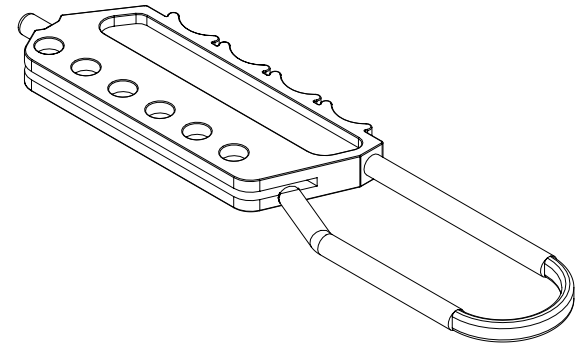
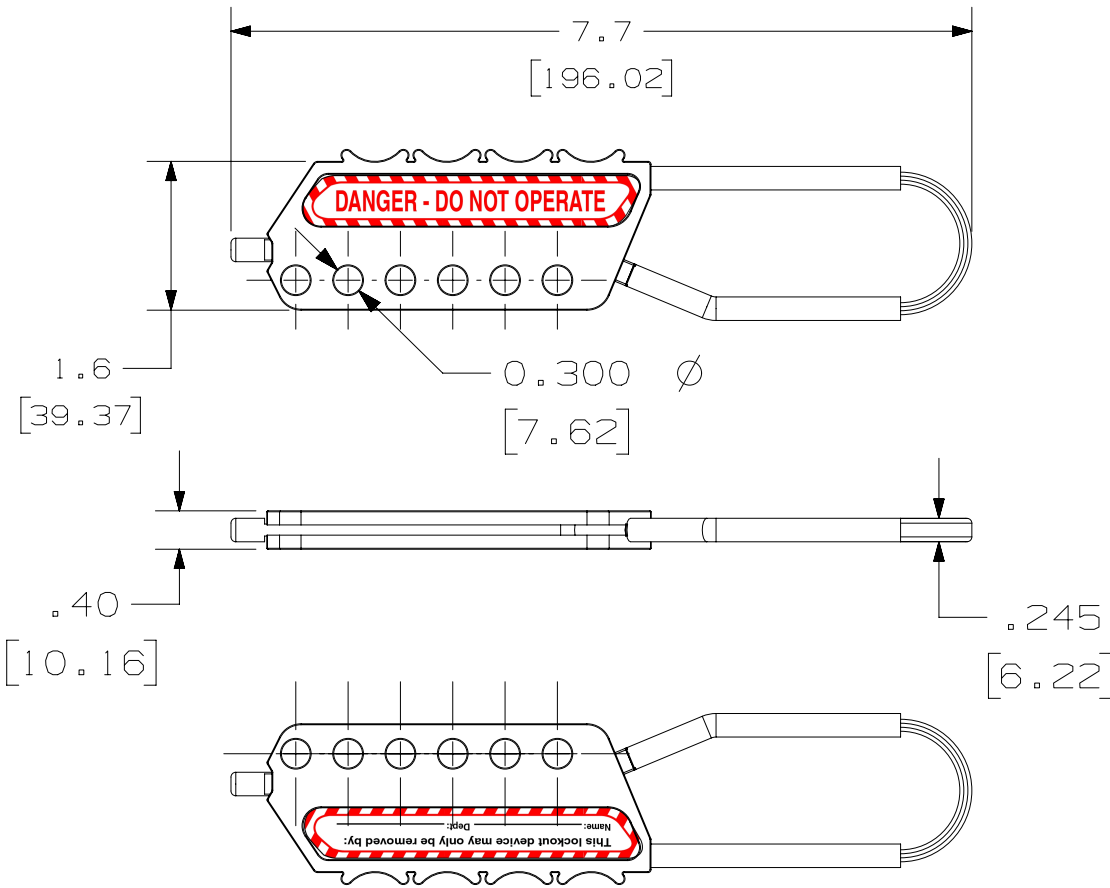


THIS COPY IS PROVIDED ON A RESTRICTED BASIS AND IS NOT TO BE USED IN ANY WAY DETRIMENTAL TO THE INTERESTS OF PANDUIT CORP.



NOTES:

1. OPERATIONAL TEMPERATURE RANGE: -40° F (-40° C) TO 140° F (60° C)
2. STORAGE TEMPERATURE RANGE: -40° F (-40° C) TO 250° F (120° C)
3. HOLDS 6 PADLOCKS
4. DIELECTRIC

REV	DATE	BY	CHK	APR	DESCRIPTION	ECN
01A	3/23/2022	RVU	RCMC	JADE	REBUILD MODEL AND MATCHED FROM CONTROL DWG. UPDATE CURRENT TEMPLATE DWG. ADDED MORE VIEWS.	GAECN06143
00	2/24/11	JHAC			DRAWING RELEASE.	6289

TITLE <b>PSL-NC3 PLASTIC HASP</b>					
CUSTOMER DRAWING					
ITEM REVISION NAME <b>100923DO/01</b>			<b>PANDUIT</b>		
DATASET FILE NAME <b>100923DO_DC/01A C10890 r01A CUST DWG</b>					
UNLESS OTHERWISE SPECIFIED, DIMENSIONAL TOLERANCES ARE: IN [ mm ]			MATERIAL: <b>RED NYLON</b>		
.x ± .1 [ 2.54 ]		.xxx ± .025 [ .635 ]		DRAWING NUMBER: <b>C10890</b>	
.xx ± .05 [ 1.27 ]		ANGLES ± 5 °		THIRD ANGLE PROJECTION	
DRAWN BY <b>JHAC</b>		DATE <b>2/24/11</b>		CHK <b>JADE</b>	
SCALE <b>1:2</b>		SHT 1 OF 1		SIZE <b>A</b>	

D10100DA/20