

XARALYN®

Crackling Sound Effect Box Manual

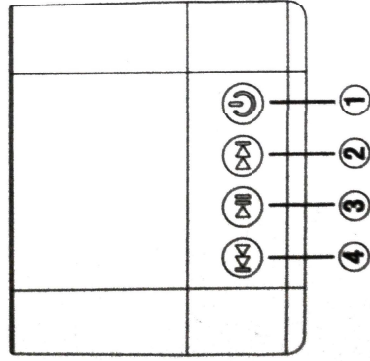


Product Features

- Bluetooth version: 4.0
- Built-in Hi-Fi speaker
- Audio input for devices without bluetooth function
- Built-in rechargeable battery
- Resume/memory function
- High quality audio codec chip for perfect audio performance

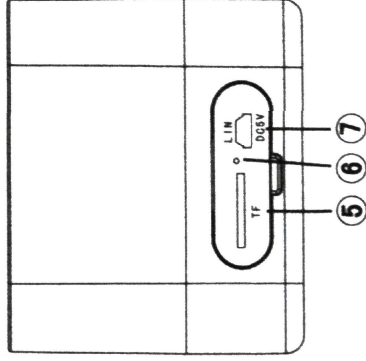
Specifications

- Output power: 3W
- Degree of Distortion: < 10%
- Effective operating range: 8-10m
- Dimensions: H50 x B58 x D58 mm
- Net Weight: 155g



Basic Functions

- Long press: POWER ON/OFF
Short press: Switch Bluetooth/Aux/SD card
- Long press: Volume ↑
Short press: next song
- Play/Pause
- Long press: Volume ↓
Short press: previous song
- TF card socket
- LED light
- DC 5 V/USB charging and audio input port
- Reset when pressing button 4 and button 2 at the same time



Crackling sound effect use

When starting the device will automatically start the crackling sound effect on SD card

Other operating instructions

- Press power key to enter bluetooth connection mode, please connect mobile phone with speaker
Bluetooth pairing name: BT-SPEAKER
- Switch device on again: automatically starts the last connection to the bluetooth device, if searching the last device lasts more than 10 seconds, will exit the connection status, if found automatically connects to device
- Press the (ON/OFF) key to enter the bluetooth/audio input/SD card mode conversion
- After bluetooth connection, device will transfer music played on mobile