




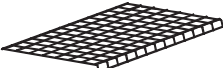









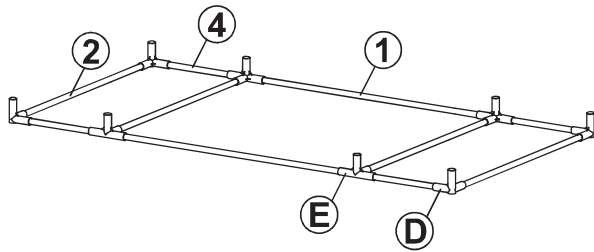
No.	PARTS	QTY.
1	 Long Tube	3
2	 Side Tube	15
3	 Upright Tube	22
4	 Short Tube	14
5	 Roof Tube	4
6	 Wire Shelf	4
7	 Cover	1
8	 Ground Stake	4
9	 Rope	4

No.	FITTINGS	QTY.
A	 Tee Fitting	4
D	 3-Way Elbow Fitting	6
E	 4-Way Tee Fitting	20
J	 3-Way Angled Elbow Fitting	2

ASSEMBLY

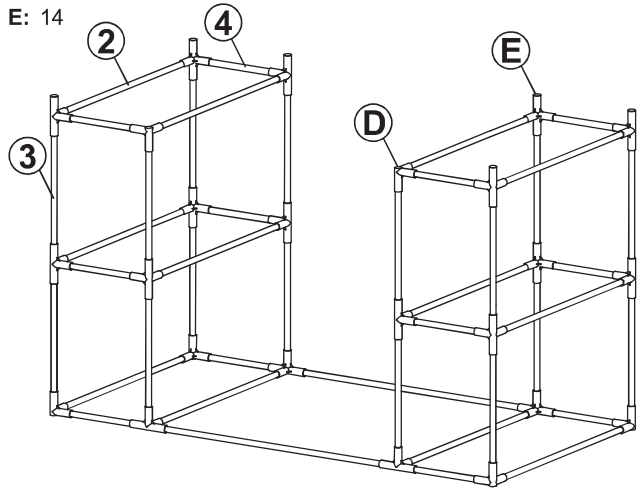
STEP 1

- 1: 2
- 2: 4
- 4: 4
- D: 4
- E: 4



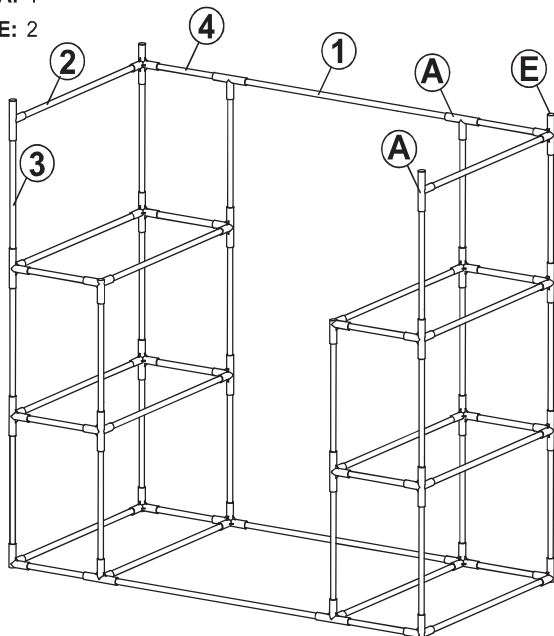
STEP 2

- 2: 8
- 3: 16
- 4: 8
- D: 2
- E: 14



STEP 3

- 1: 1
- 2: 2
- 3: 6
- 4: 2
- A: 4
- E: 2



STEP 4

- 2: 1
- 5: 4
- 6: 4
- J: 2

