


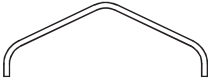
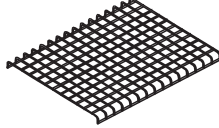



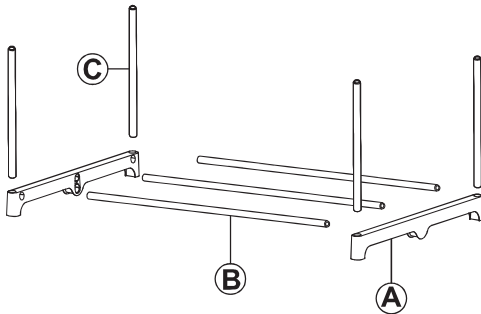
No.	PARTS	QTY.
A	 Cross Member	10
B	 Cross Pole	12
C	 Upright Pole	16
D	 Roof Arch	2

No.	PARTS	QTY.
E	 Wire Shelf	4
F	 Cover	1

## ASSEMBLY

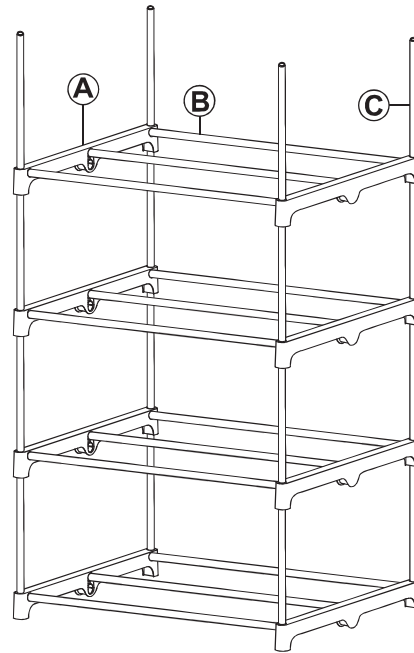
### STEP 1

A: 2  
B: 3  
C: 4



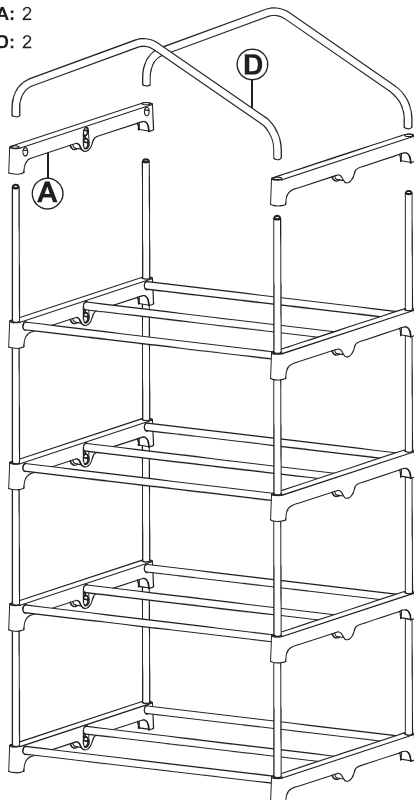
### STEP 2

A: 6  
B: 9  
C: 12



### STEP 3

A: 2  
D: 2



### STEP 4

E: 4

