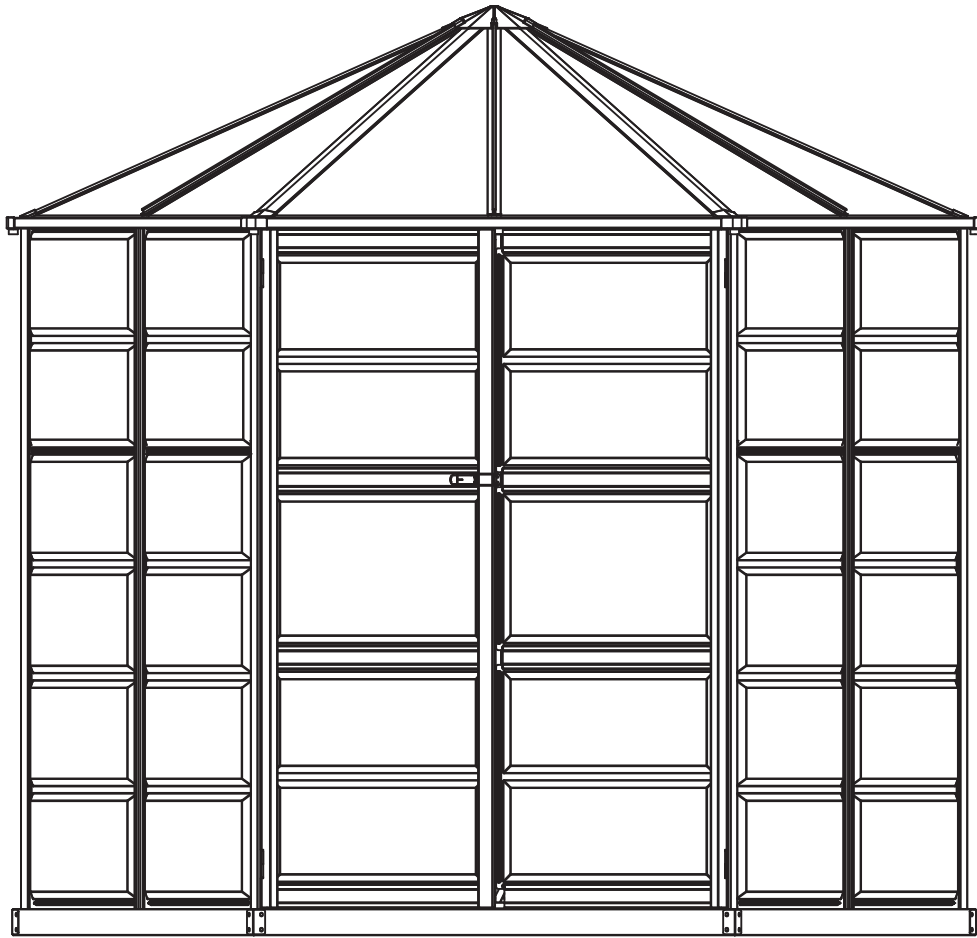


Greenhouse

Assembly Instructions



PLACING:

- Do not place the greenhouse in an area exposed to very strong winds.
- Choose a sunny, flat place without overhanging trees.

ASSEMBLY:

Assembly preparations:

- We recommend to wear gloves and safety glasses during assembly.
- Keep children away from the installation area.
- Do not install the greenhouse in windy or wet conditions.
- For assembly you need as tools at least an electric screwdriver/drill and a measuring tape
- It takes 2-3 days to get the greenhouse fully finished
- Some assembly steps require two people

During assembly:

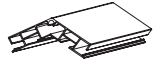
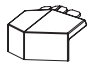
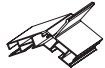
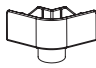
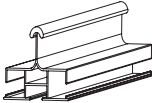


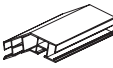

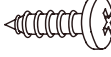
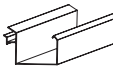
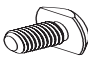


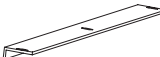


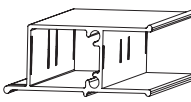

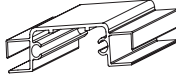


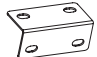

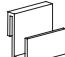
- Keep small parts (screws, etc.) in the boxes and bags so they don't get lost.
- Each part is numbered and the corresponding number can be found in the assembly instructions.
- Start assembly by arranging parts with the same number in their own groups around the installation site. The aluminum frame of the greenhouse is built first and the PC-panels are added last.
- Tighten the screws to their full tightness only when you are sure that the assembly step is correctly made
- Make sure the greenhouse is anchored well enough into the ground

Instructions for mounting the polycarbonate panels:

- Clear transparent PC panels are used for walls and hollow 4mm PC panels are used for roof.
- Film protects the PC panels and it should be kept on to protect the panels during assembly and removed only when mounting the panel.
- Green protection film side with UV protection, should toward the sun. White protection film side without UV protection.
- Handle the polycarbonate wall and roof panels with special care so that they do not get scratched during the assembly .

NEEDED TOOLS(packaging includes one spanner to twist the nuts)

1. Tape measure
2. Level
3. Electric screwdriver + screw tip

Art.Nr.	Picture	Qty.	Dimension(mm)	Art.Nr.	Picture	Qty.	Dimension(mm)
1		4	1800	27		6	
2		2	1800	28		6	
3		5	1800	29		1	
4		6	1090	30		32	M5*18
5		6	1100	31			
6		6	1230	32		6	M5*12
7		6	1230	33		125	M6*10
8		1	640	34		125	M6
9		10	1360	35		2	
10		5	1230	36		1	
11		6	710	37			
12		2	1792	38		10	590
13		1	1792				
14		1	1792				
15		1	560				
16		7	560				
17		6	1271				
18		2	1230				
19							
20							
21							
22							
23							
24		6					
25		6					
26		20					

PC panels


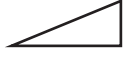
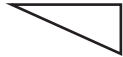
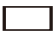


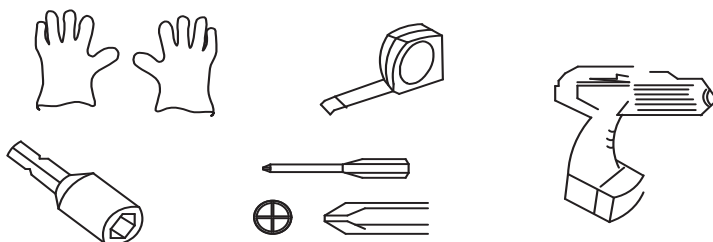
Art.Nr.	Qty.	Picture	Dimension(mm)	
1	10PC		590x1810	clear 0,7mm panel for the walls
2	6PC		582x1147	4mm panel for the roof
3	6PC		582x1147	4mm panel for the roof
6	2PC		590x430	clear 0,7mm panel for the walls
7	4PC		595x592	clear 0,7mm panel for the walls
8	10PC		597x605	clear 0,7mm panel for the walls

photo of the clear 0,7mm wall panel

photo of the 4mm roof panel

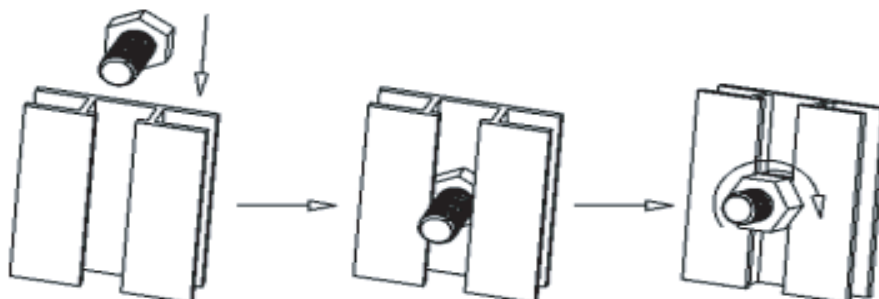
We recommend tearing off the protection films after the panel is put in its place in the greenhouse frame, so you stay aware of which side is UV-protected and the sides don't get mixed up during the assembly. A good way is to remove approx. 5cm of the protective film from all edges of the panel before mounting the panel in the alu frame (so that it doesn't get under the screws and alu strips), and when the panel is fixed in the frame you can completely tear off the protective films.

We recommend to get the following tools available for assembly



(packaging includes one spanner to twist the nuts)

This is how you slide the screws into the grooves of the aluminum rails





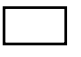



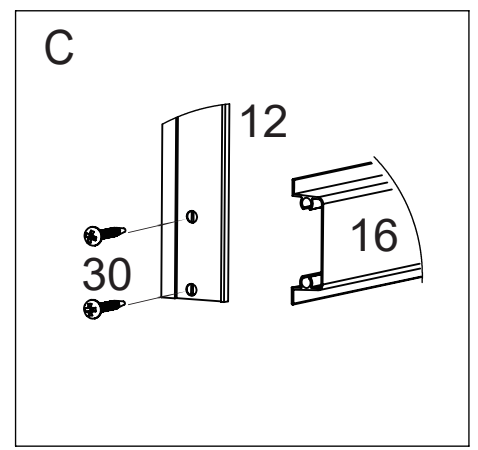
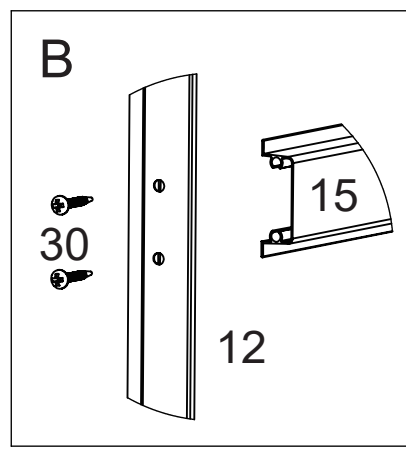
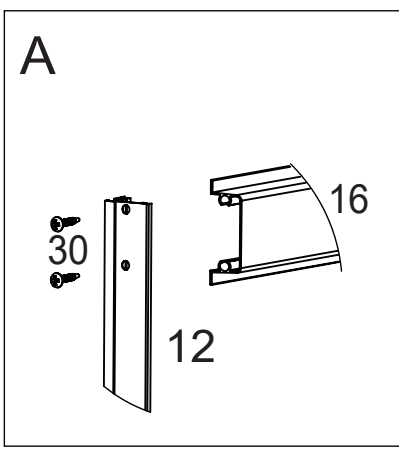
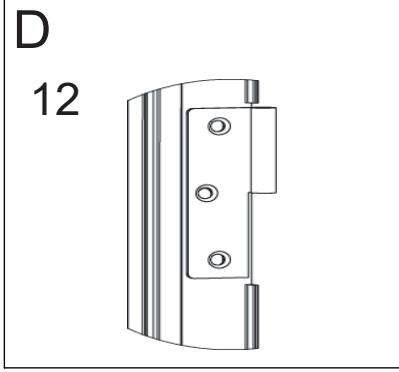
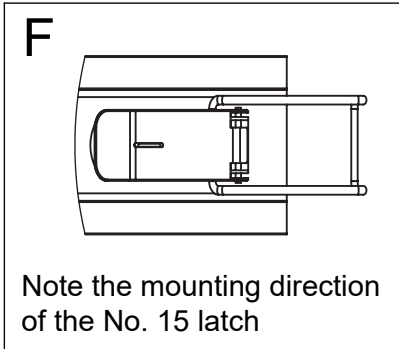
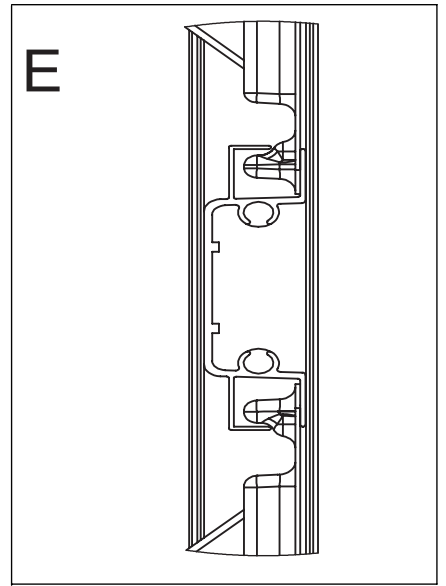
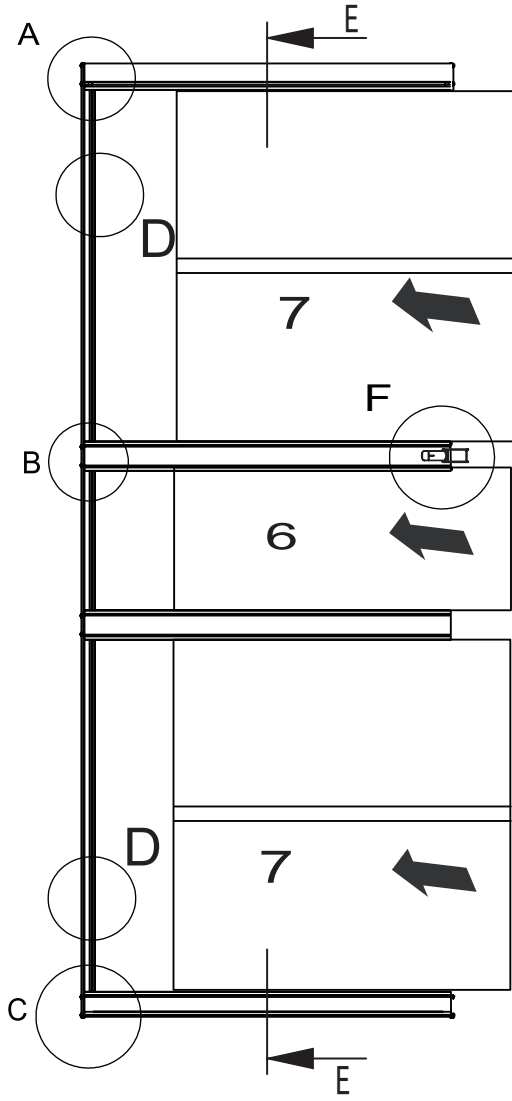
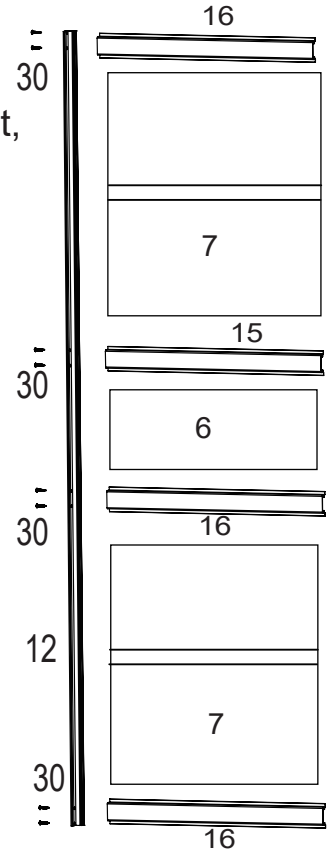
Assemble the frame of sliding door

Left

Install accessories in A/b/C order first, then insert 6/7 PC board



A magnetic screwdriver is required to assemble the door

Art.Nr.	Qty.	Picture	Dimension(mm)
12	1PC		1792
15	1PC		560
16	3PC		560
30	8		
PC panels			
6	1PC		590x430
7	2PC		595x592

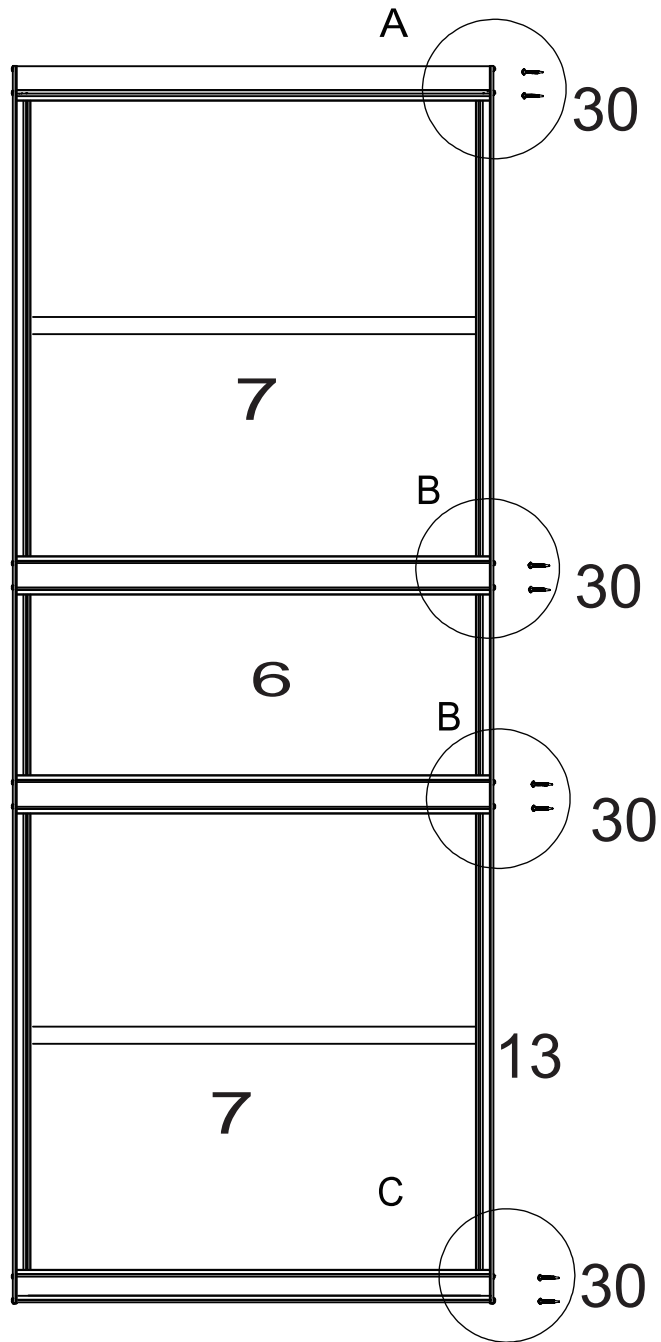
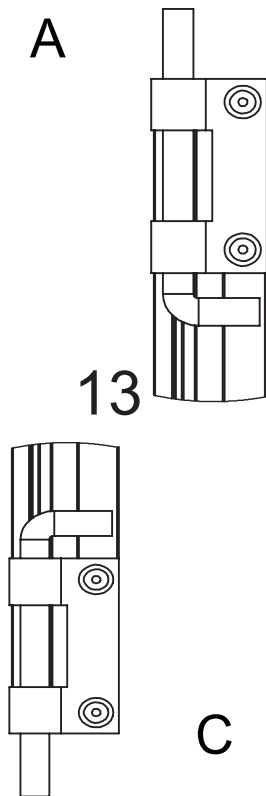


Assemble the frame of sliding door

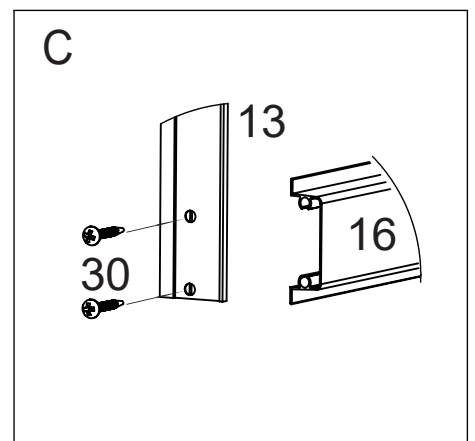
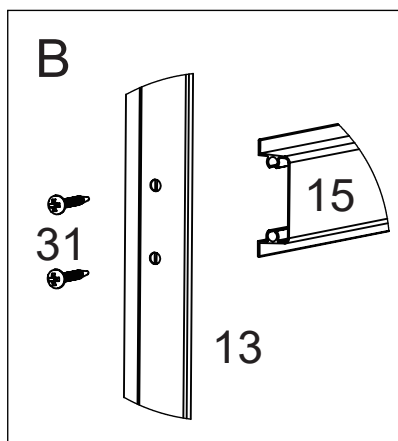
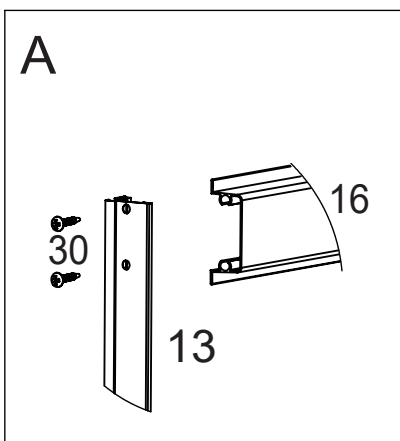
A magnetic screwdriver is required to assemble the door

Art.Nr.	Qty.	Picture	Dimension(mm)
13	1PC		1792
30	8PC		

Fitting No. 13 installed

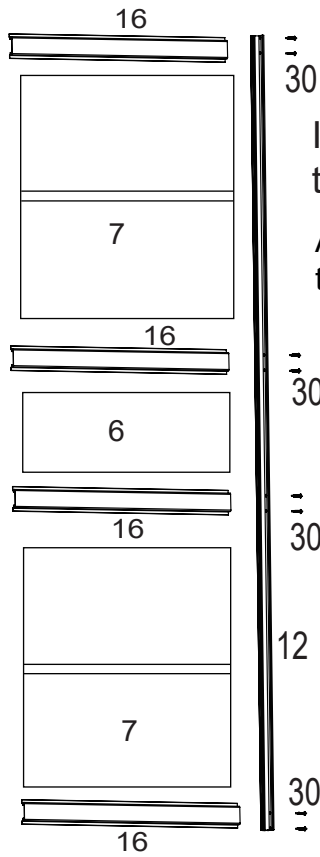


The A/C section is already installed



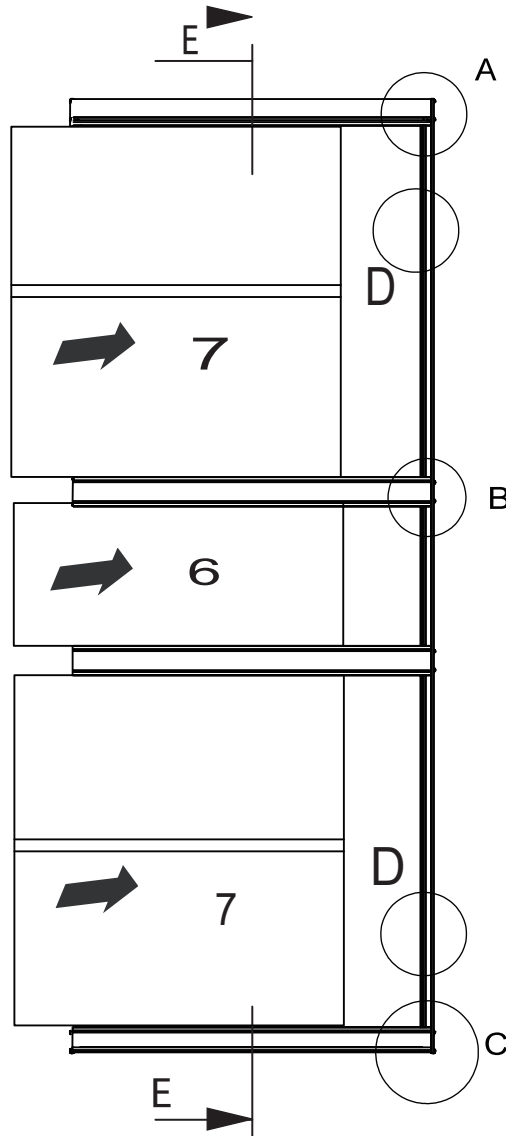
Right

Assemble the frame of sliding door

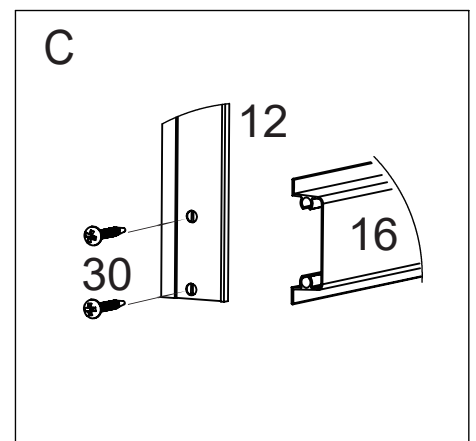
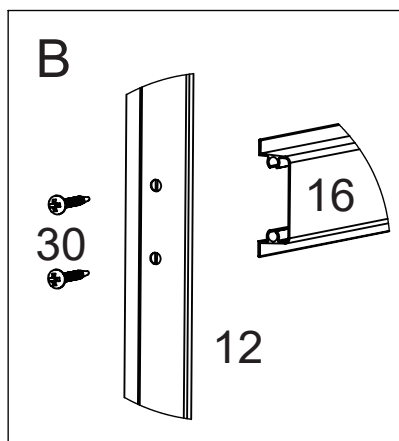
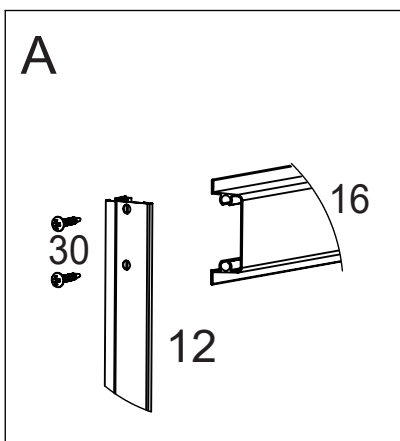
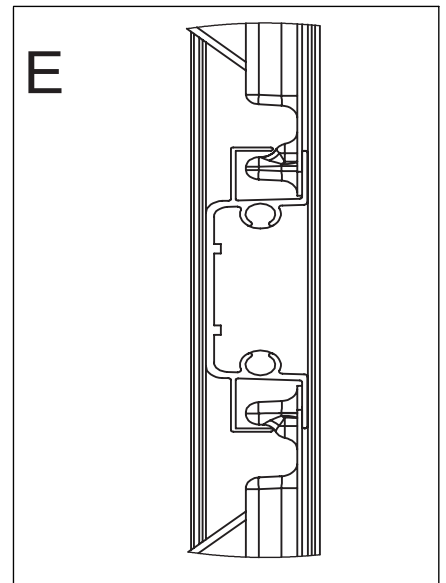
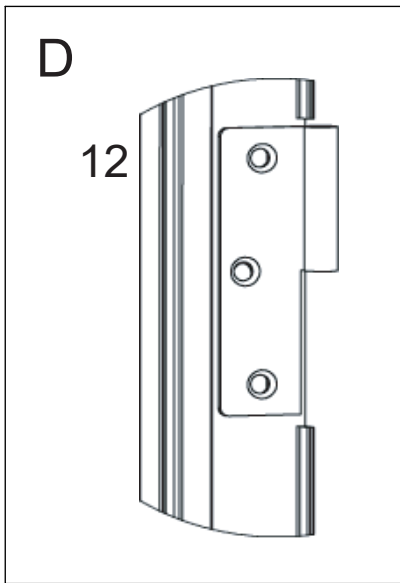


Install accessories in A/b/C order first, then insert 6/7 PC board

A magnetic screwdriver is required to assemble the door

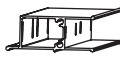



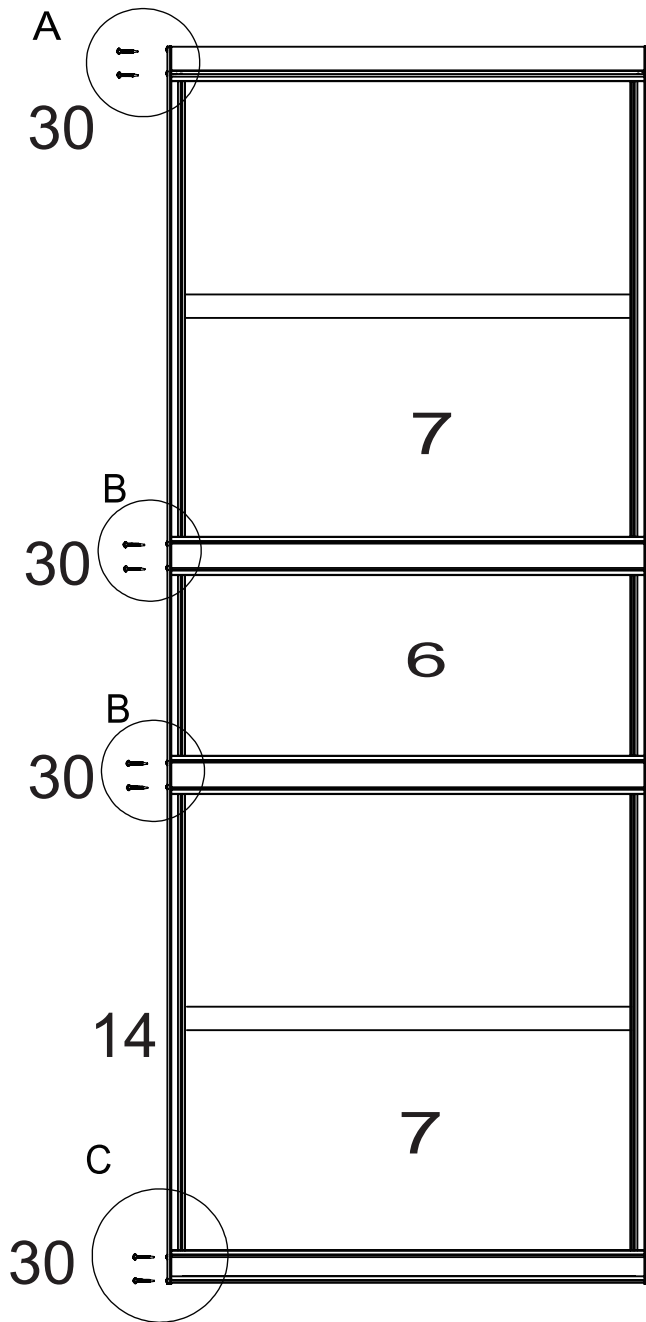
Art.Nr.	Qty.	Picture	Dimension(mm)
12	1PC		1792
16	4PC		560
30	8		
PC panels			
6	1PC		590x430
7	2PC		595x592



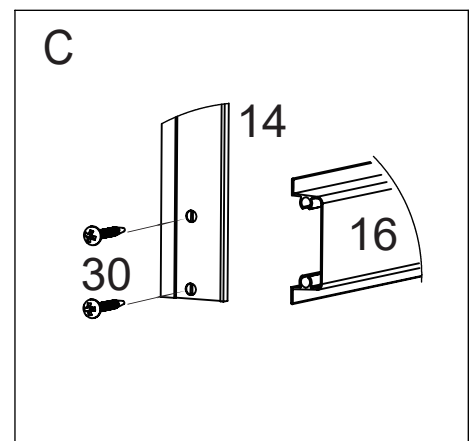
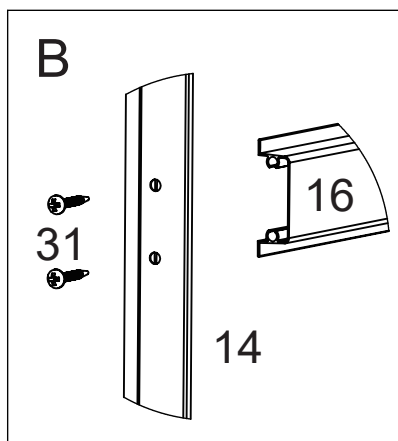
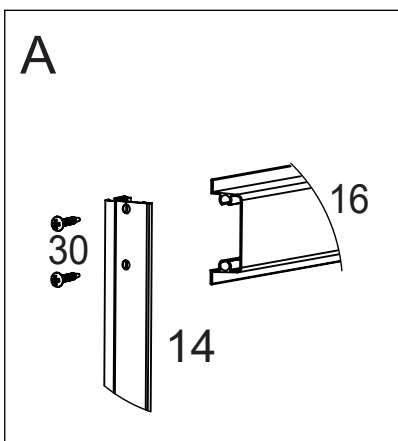
A magnetic screwdriver is required to assemble the door

Assemble the frame of sliding door

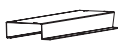

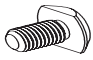

Art.Nr.	Qty.	Picture	Dimension(mm)
14	1PC		1792
30	8PC		



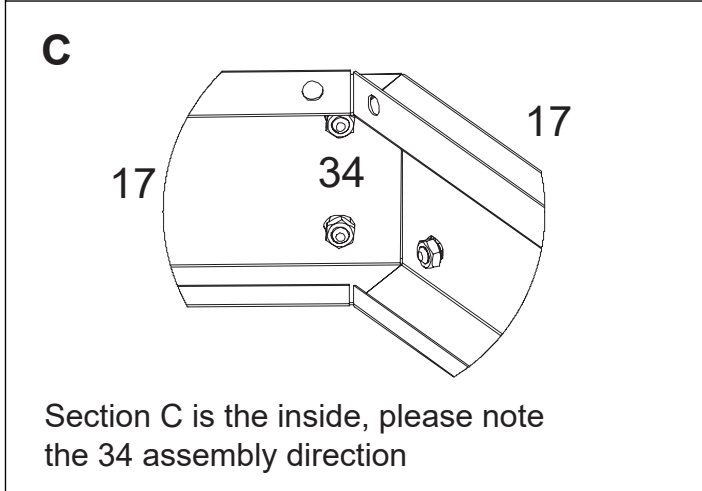
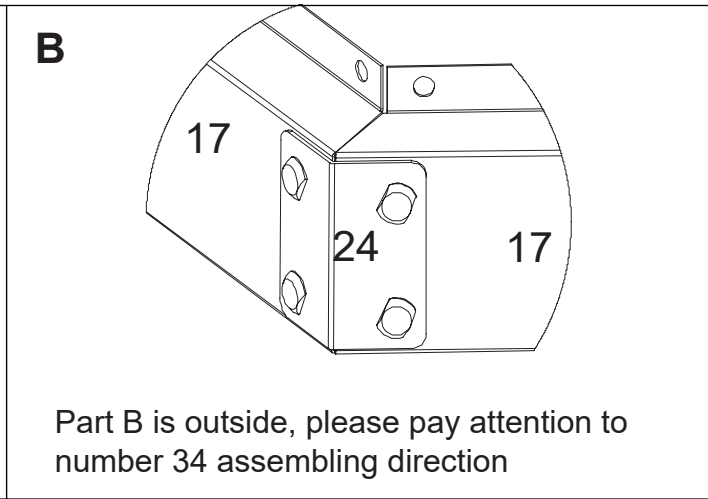
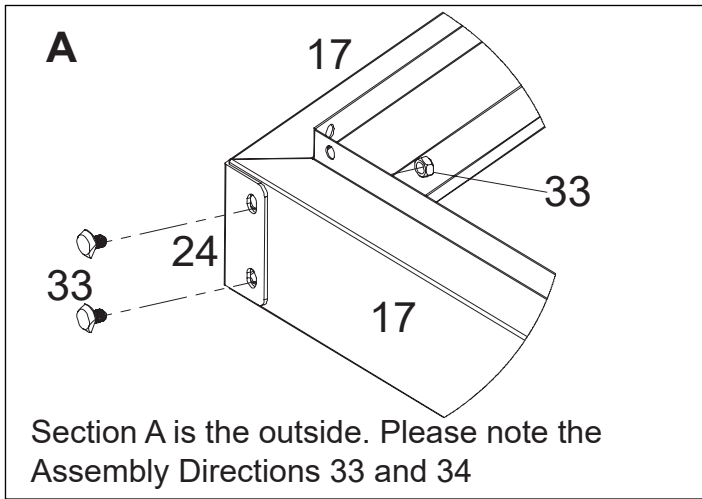
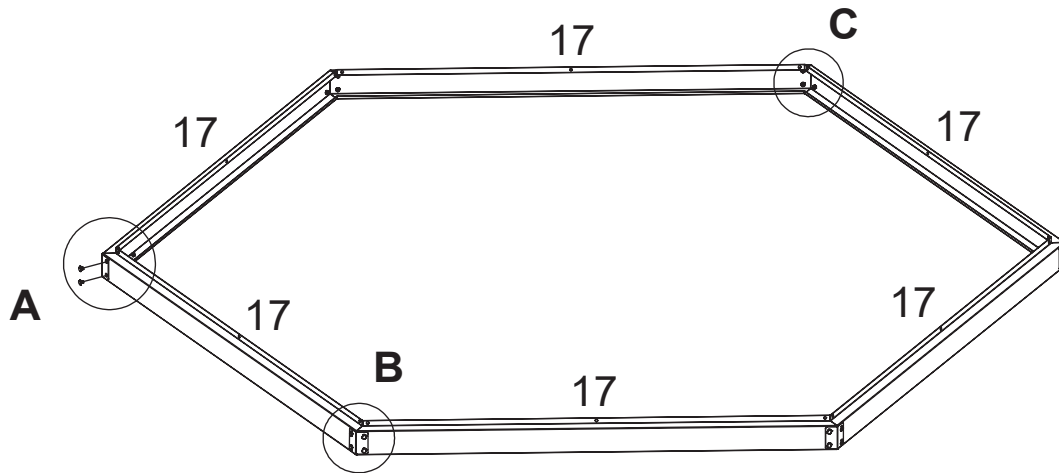
Fitting No. 14 installed





Foundation assembling

Art.Nr.	Qty.	Picture	Dimension(mm)
17	6PC		
24	6PC		
33	24PC		
34	24PC		

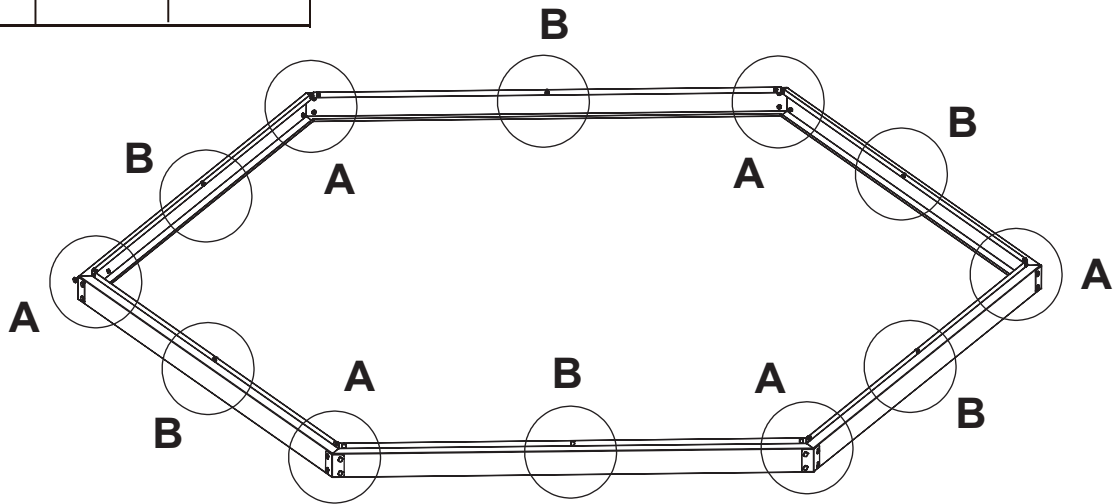
Connect No. 24 to No. 17, then fix it from the outside with No. 33 screw and tighten it with No. 34 nut.



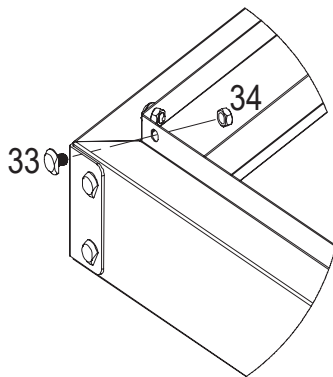
Foundation assembling

Art.Nr.	Qty.	Picture	Dimension(mm)
33	18PC		
34	18PC		

Fitting No. 17 preloaded with No. 33/34 screws and nuts

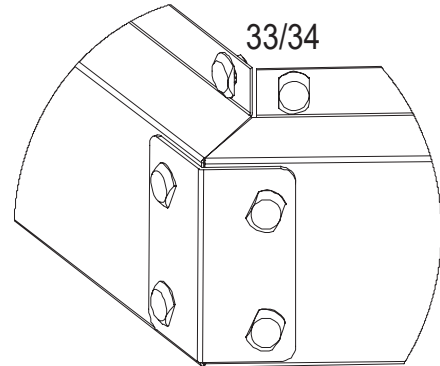


A



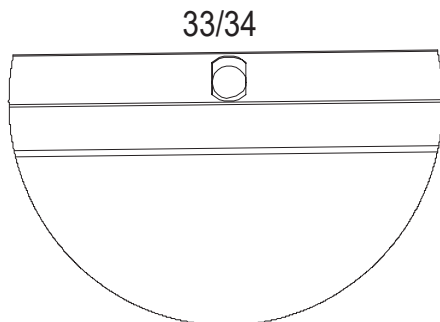
Section A is the outside. Please note the Assembly Directions 33 and 34

A





Part B is outside, please pay attention to number 34 assembling direction

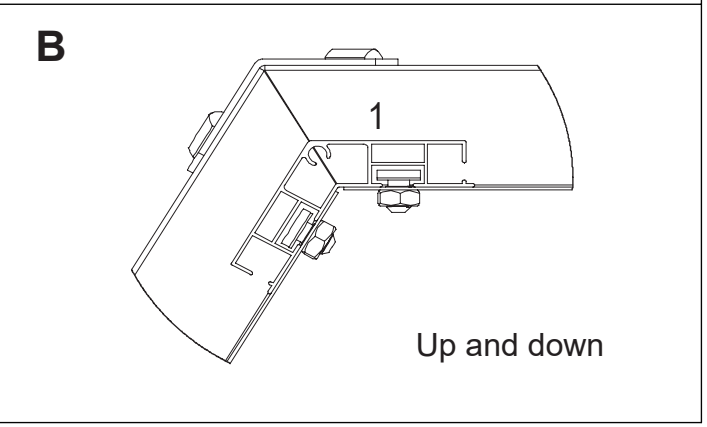
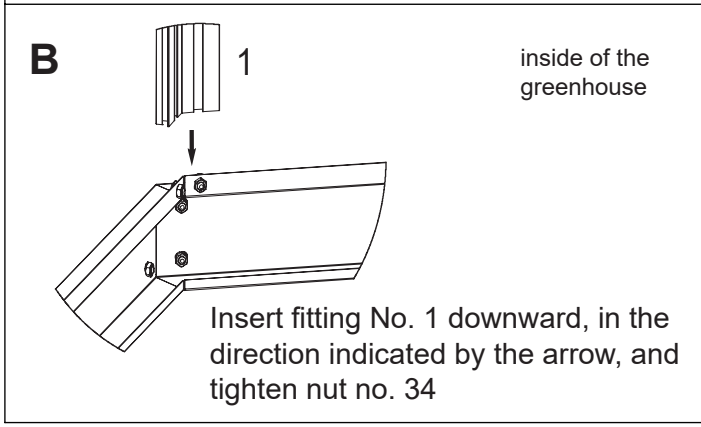
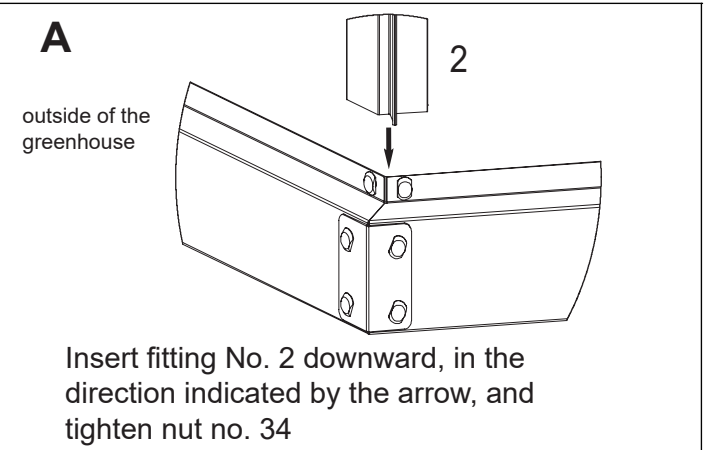
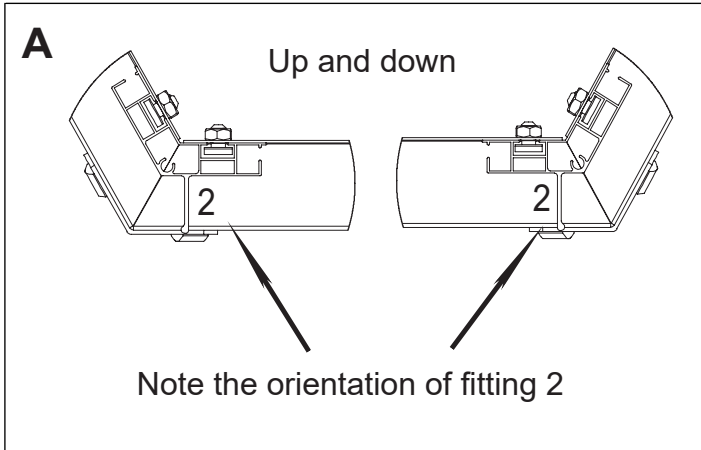
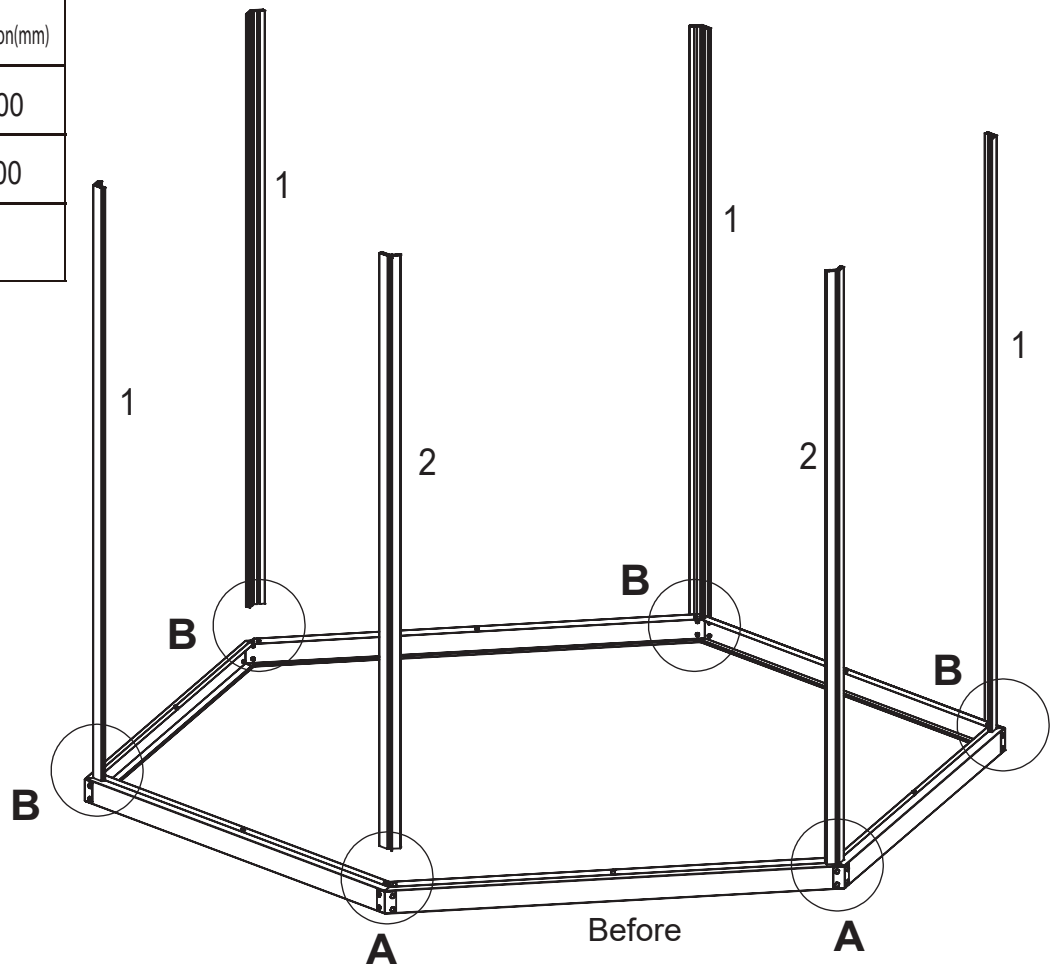
B



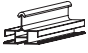
Section C is the inside, please note the 34 assembly direction

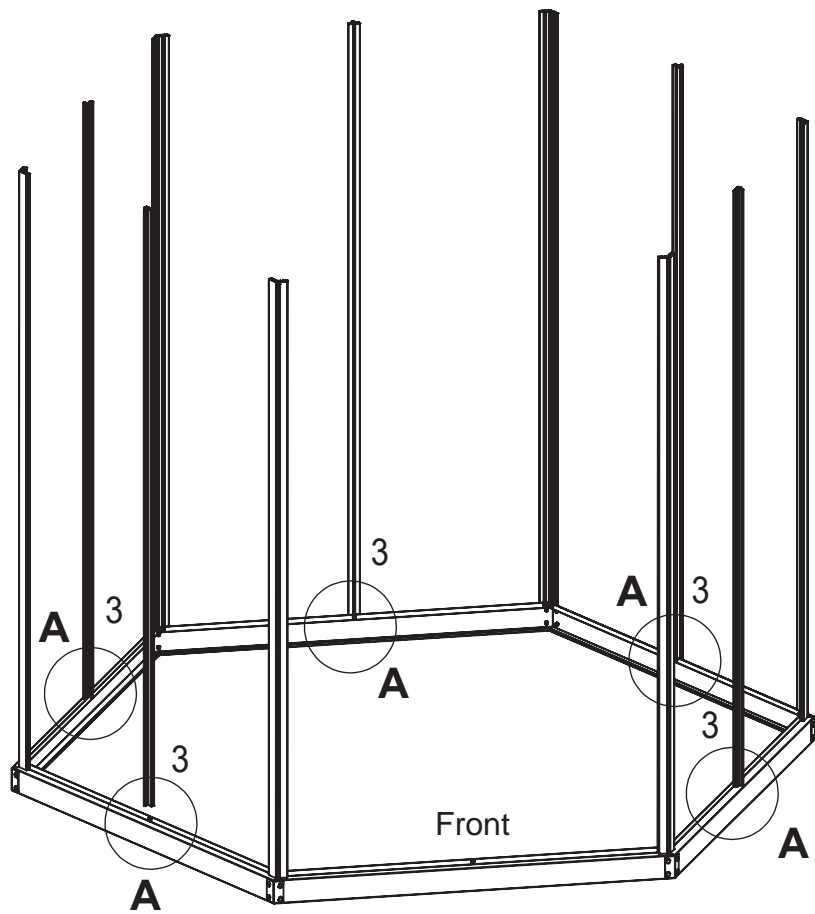
Column assembly

Art.Nr.	Qty.	Picture	Dimension(mm)
1	4PC		1800
2	2PC		1800



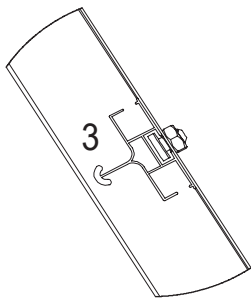
Column assembly

Art.Nr.	Qty.	Picture	Dimension(mm)
3	5PC		1800

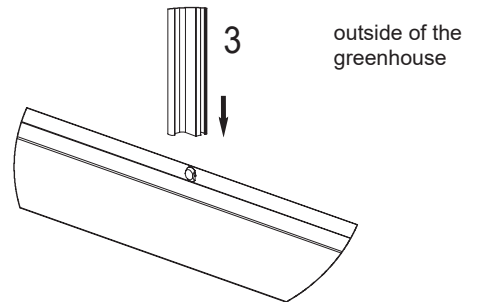


A

Up and down



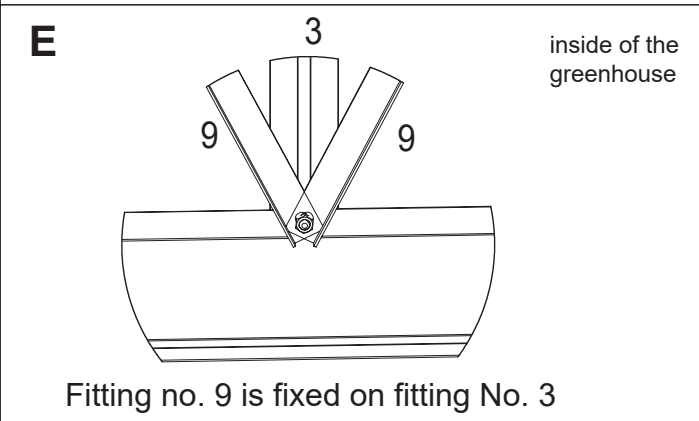
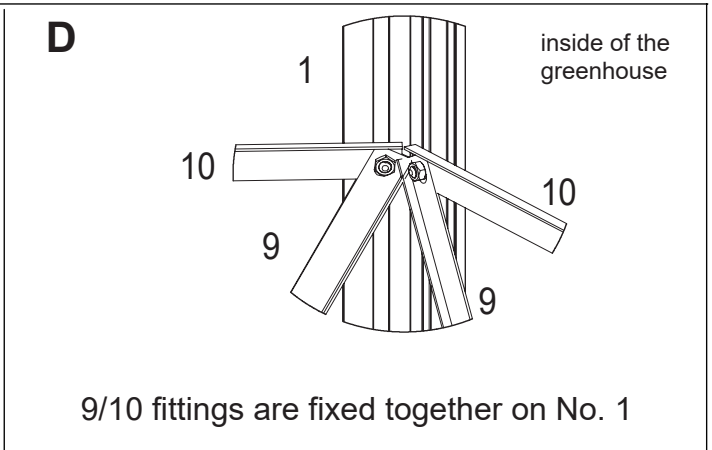
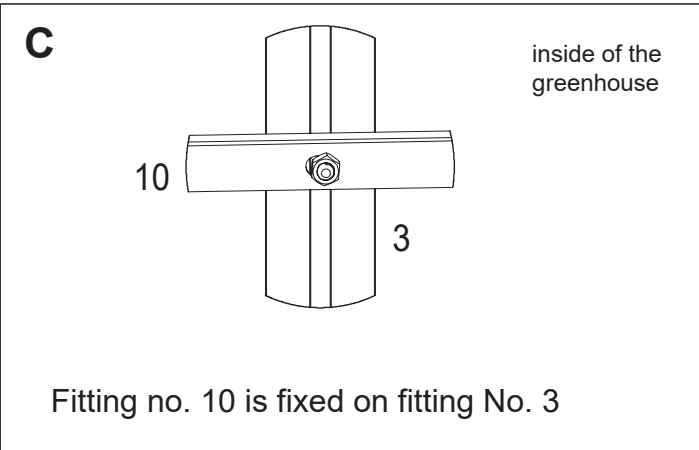
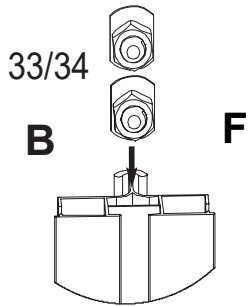
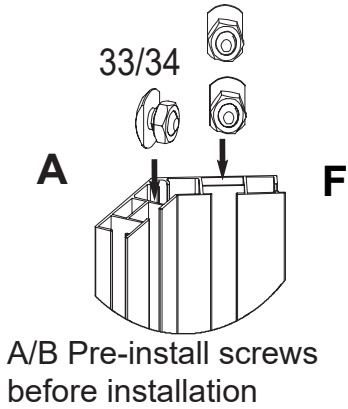
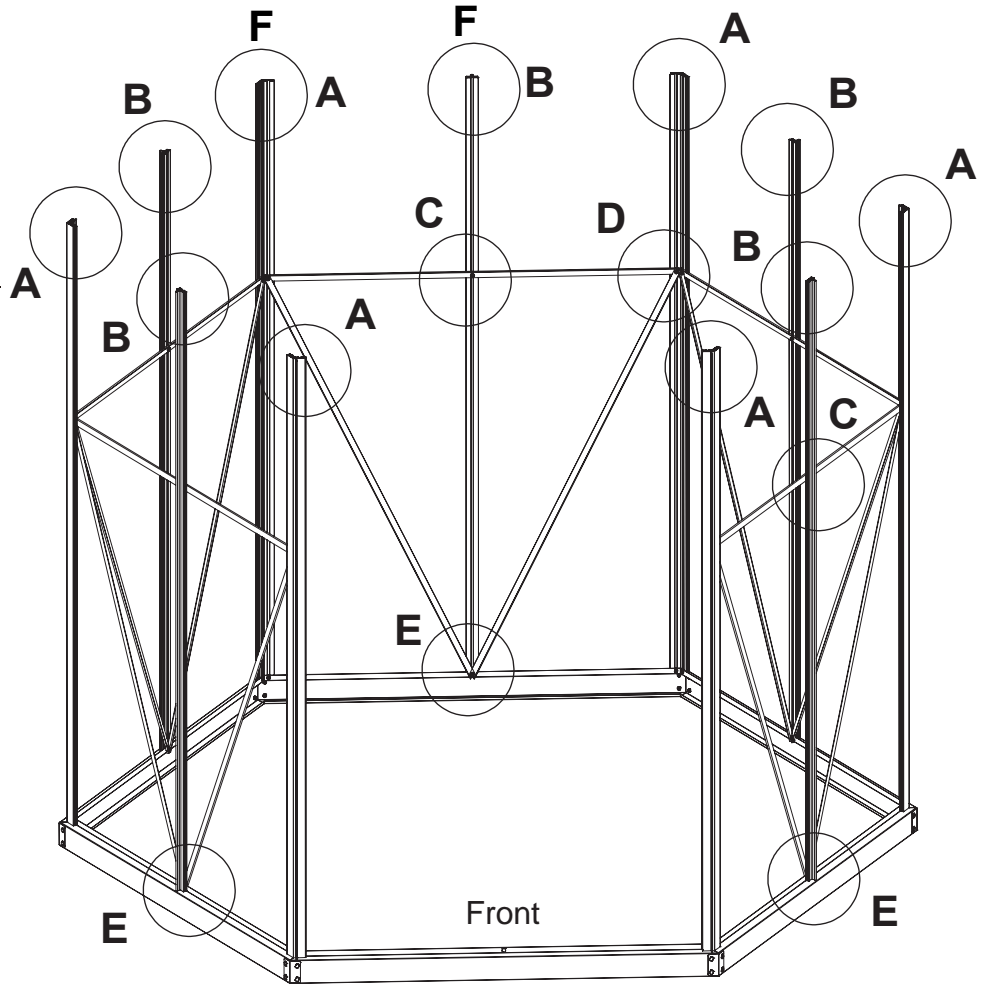
A






Insert fitting No. 3 downward, in the direction indicated by the arrow, and tighten nut no. 34

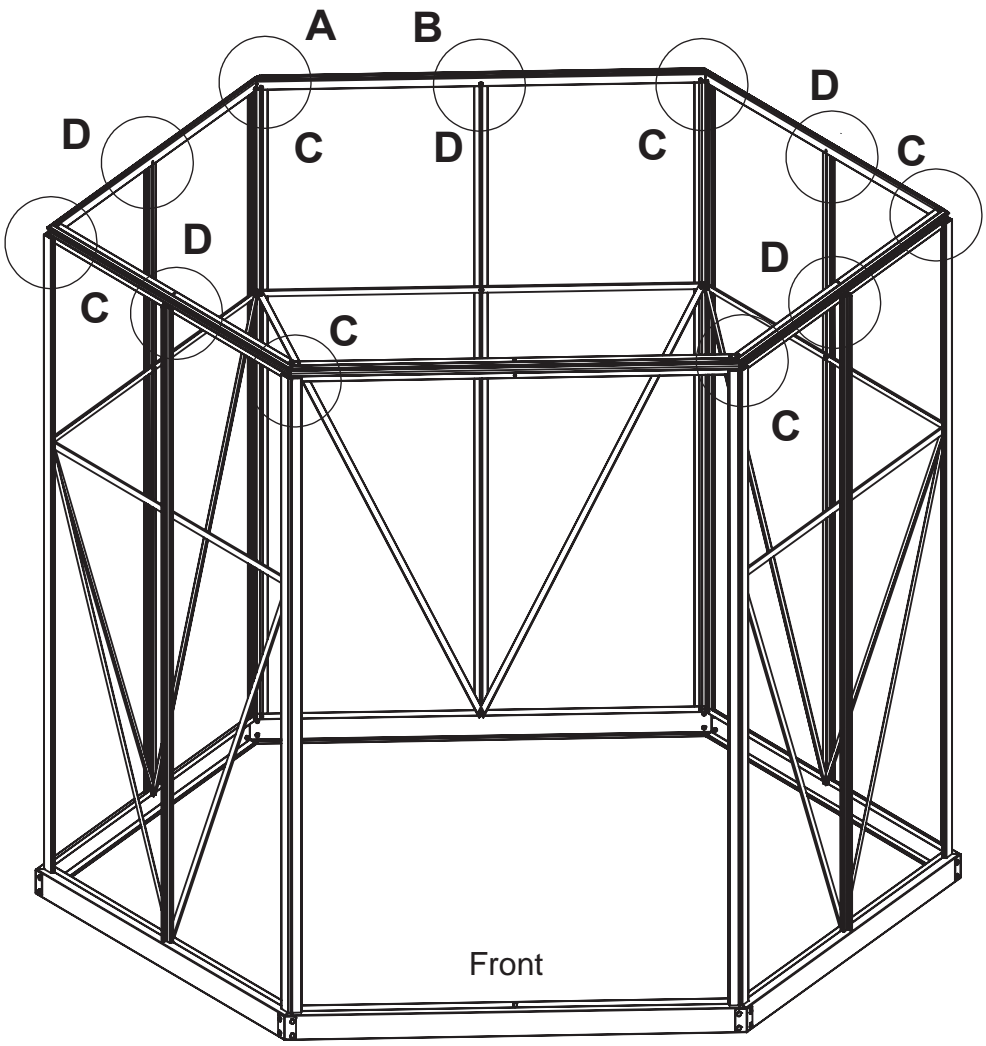
Column assembly

Art.Nr.	Qty.	Picture	Dimension(mm)
9	10PC		1360
10	5PC		1230
33	17PC		
34	17PC		



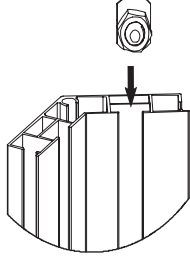
Column assembly

Art.Nr.	Qty.	Picture	Dimension(mm)
6	6PC		1230
33	36PC		
34	36PC		



33/34

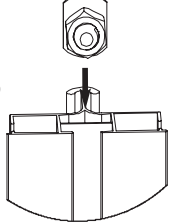
A



A/B Pre-install screws before installation

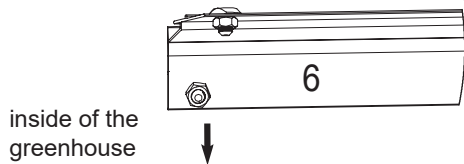
33/34

B



C

Pre-install screws before fitting No. 6



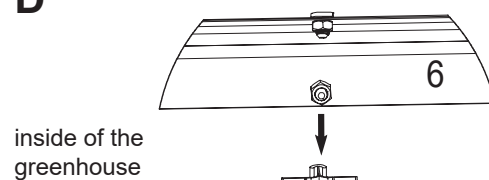
inside of the greenhouse



Insert fitting No. 6 downward, in the direction indicated by the arrow,

D

Pre-install screws before fitting No. 6

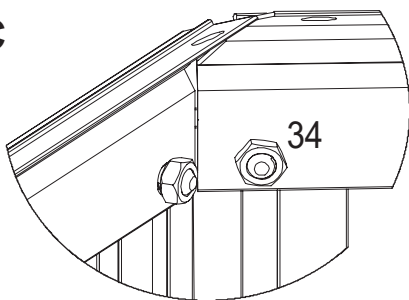


inside of the greenhouse



Insert fitting No. 6 downward, in the direction indicated by the arrow,

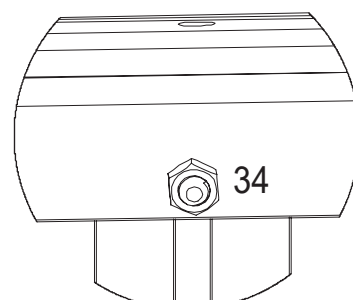
C



inside of the greenhouse

and tighten nut no. 34





D

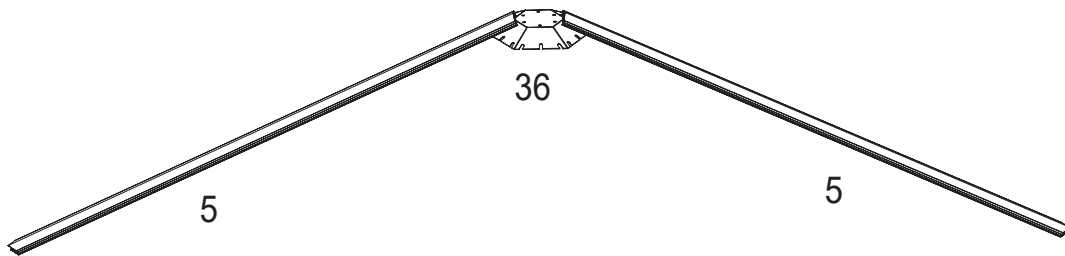


inside of the greenhouse

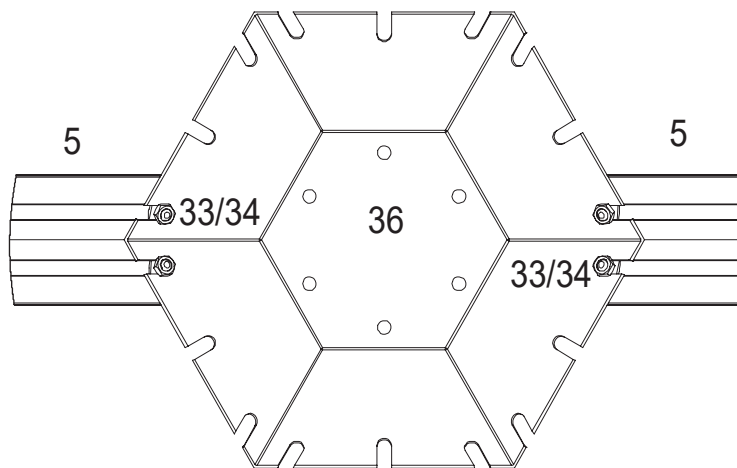
and tighten nut no. 34

Top Assembly

Art.Nr.	Qty.	Picture	Dimension(mm)
5	2PC		1100
33	4PC		
34	4PC		
36	1PC		





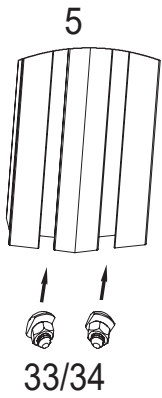
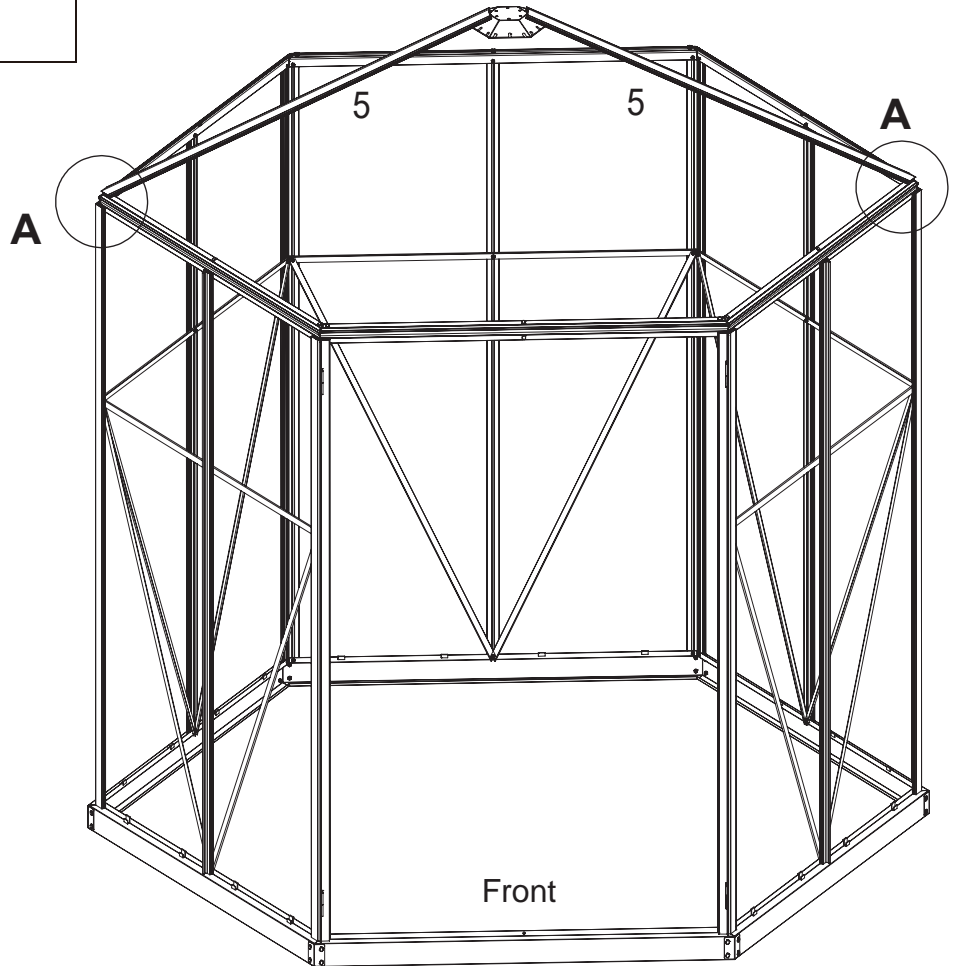
No. 36 accessories install 2 No. 5 accessories first



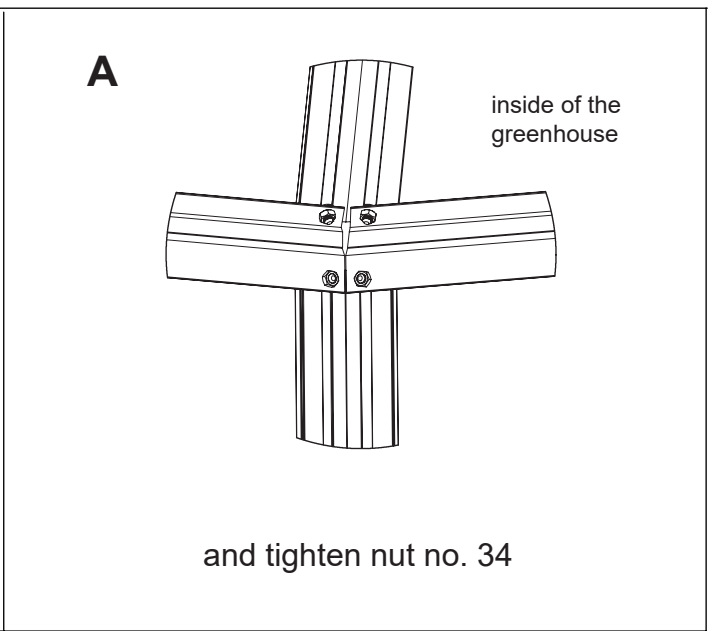
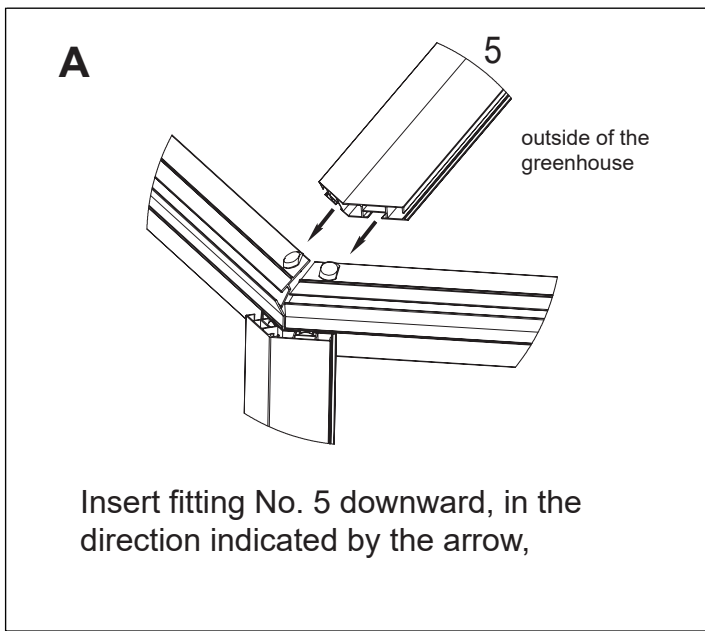
Diagonal installation

Top Assembly

Art.Nr.	Qty.	Picture	Dimension(mm)
33	4PC		
34	4PC		



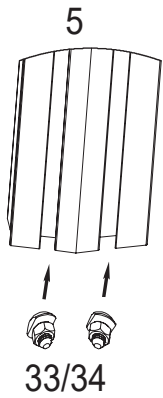
A Pre-install screws before installation



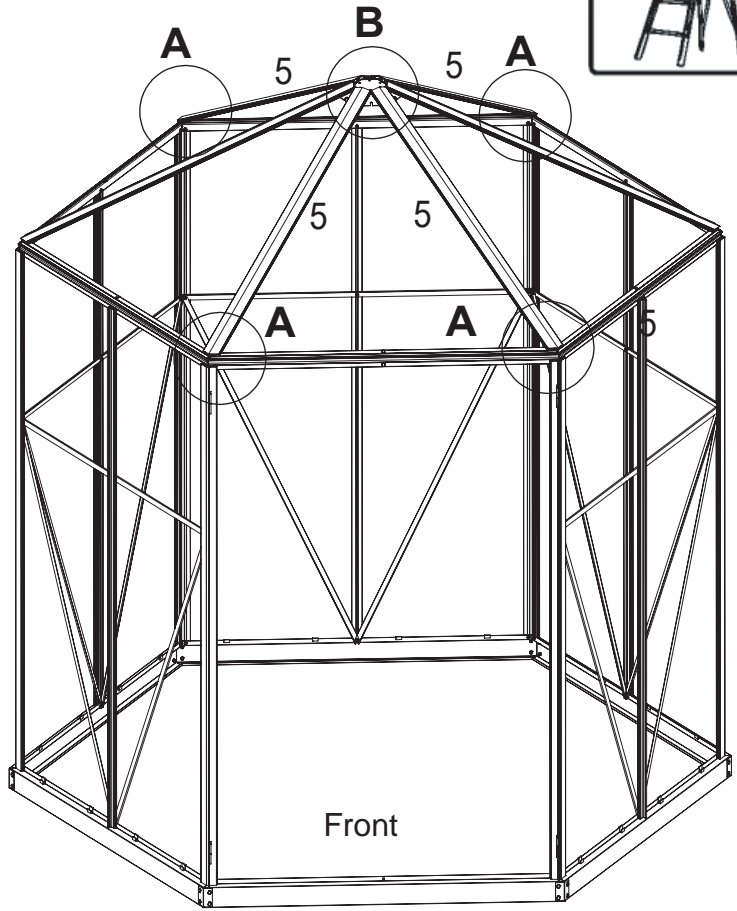
Top Assembly



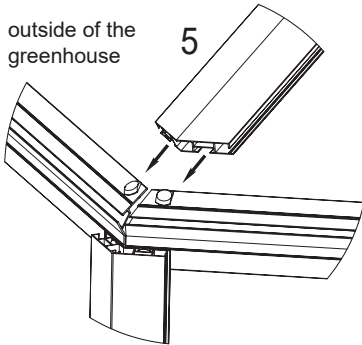
Art.Nr.	Qty.	Picture	Dimension(mm)
5	4PC		1100
33	8PC		
34	8PC		



A Pre-install screws before installation

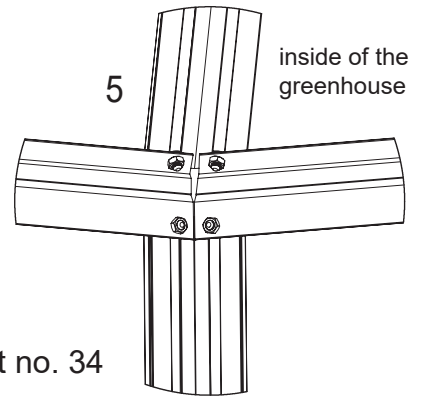


A



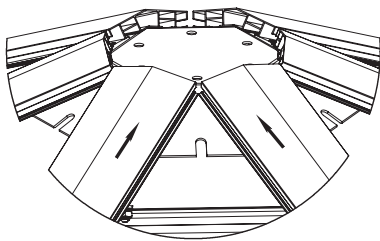
Insert fitting No. 5 downward, in the direction indicated by the arrow,

A



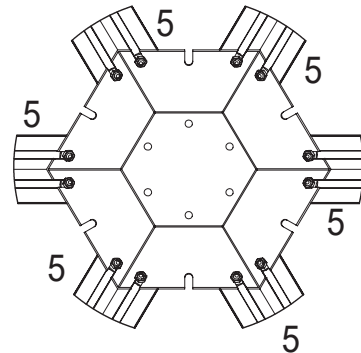
and tighten nut no. 34

B



Insert fitting No. 5 downward, in the direction indicated by the arrow,

B

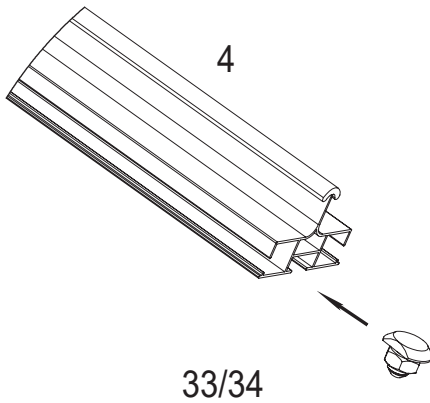


and tighten nut no. 34

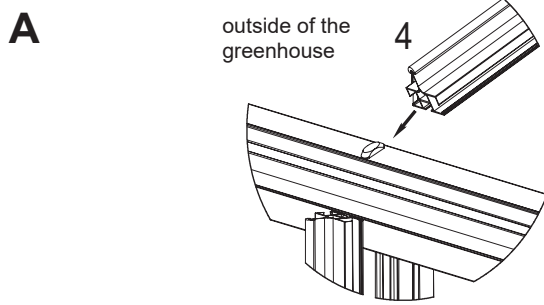
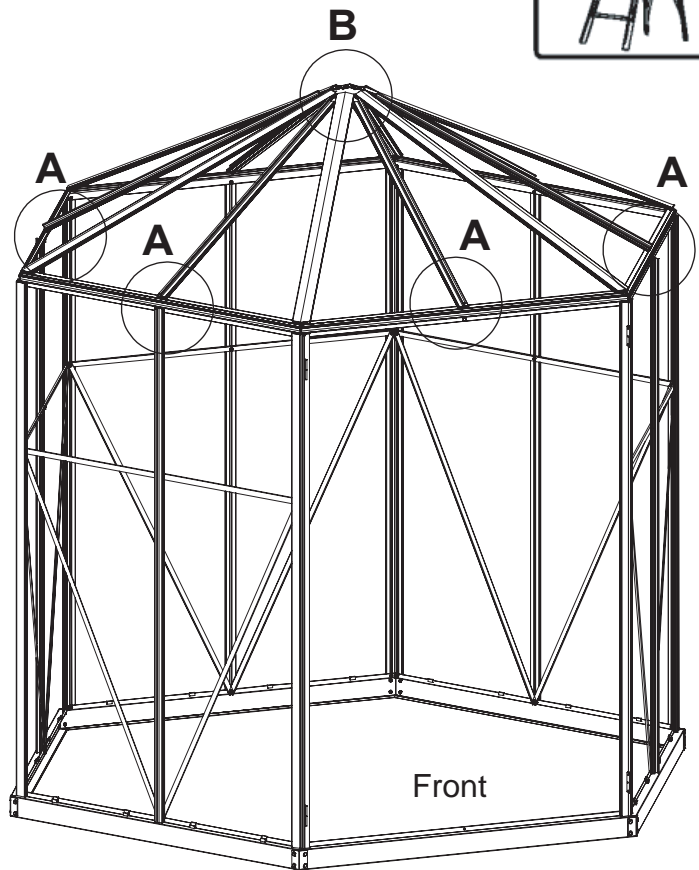
Top Assembly



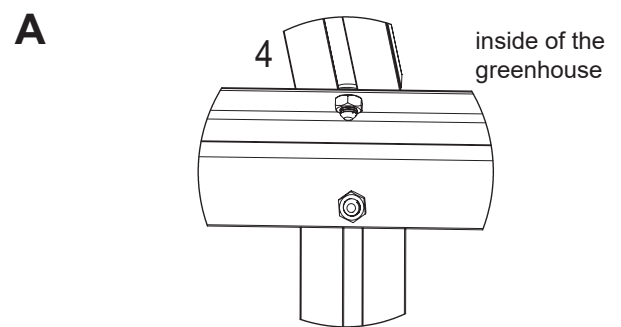
Art.Nr.	Qty.	Picture	Dimension(mm)
4	6PC		1090
33	12PC		
34	12PC		



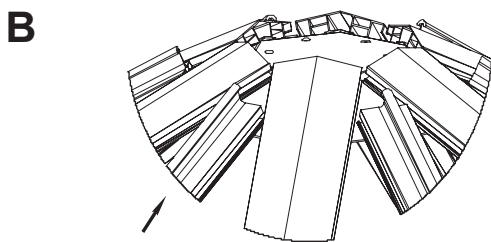
A Pre-install screws before installation



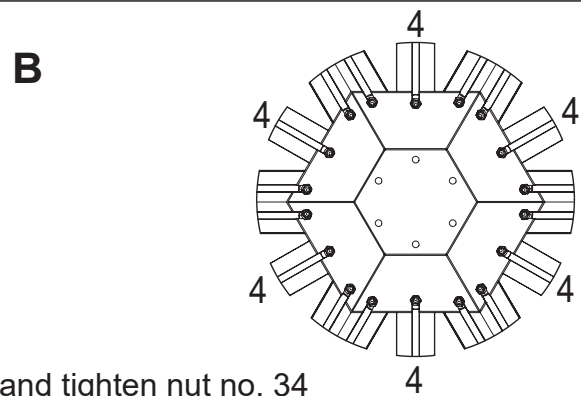
Insert fitting No. 4 downward, in the direction indicated by the arrow,



and tighten nut no. 34



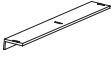
Insert fitting No. 4 downward, in the direction indicated by the arrow,

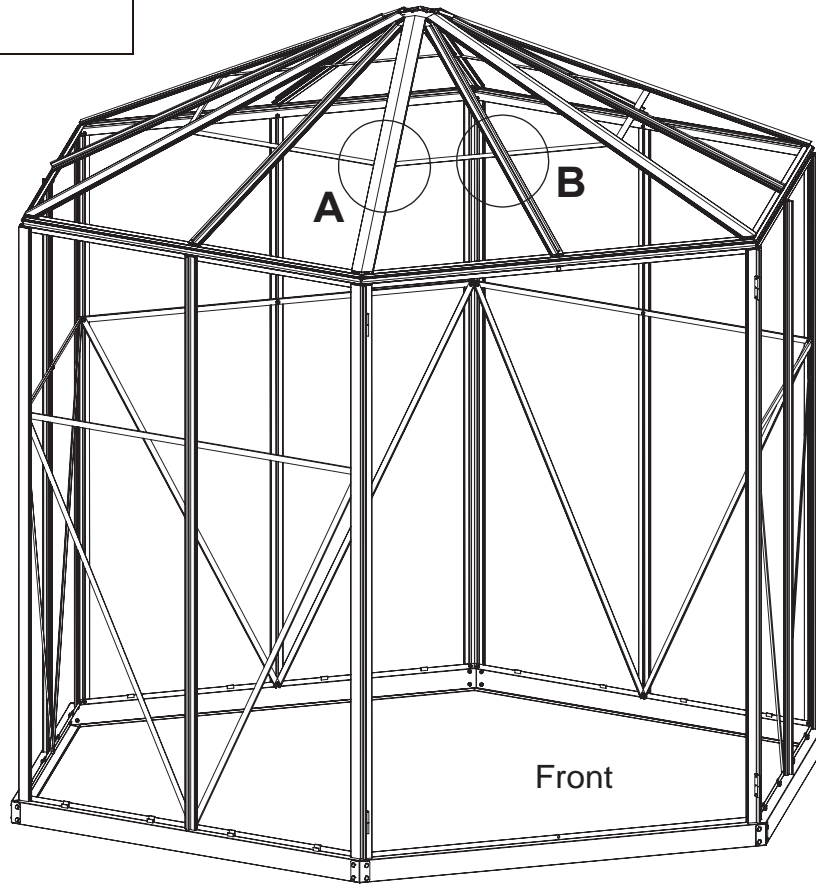


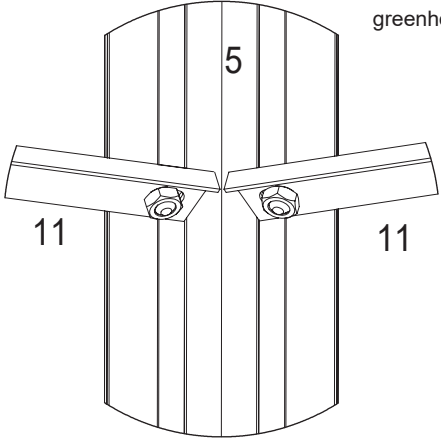
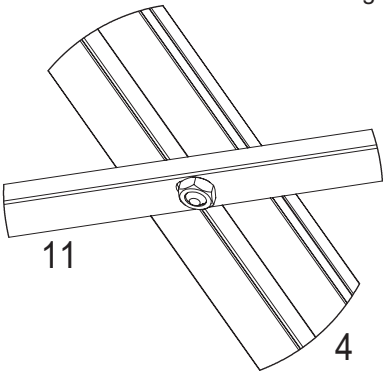
and tighten nut no. 34

Top Assembly






Art.Nr.	Qty.	Picture	Dimension(mm)
11	6PC		

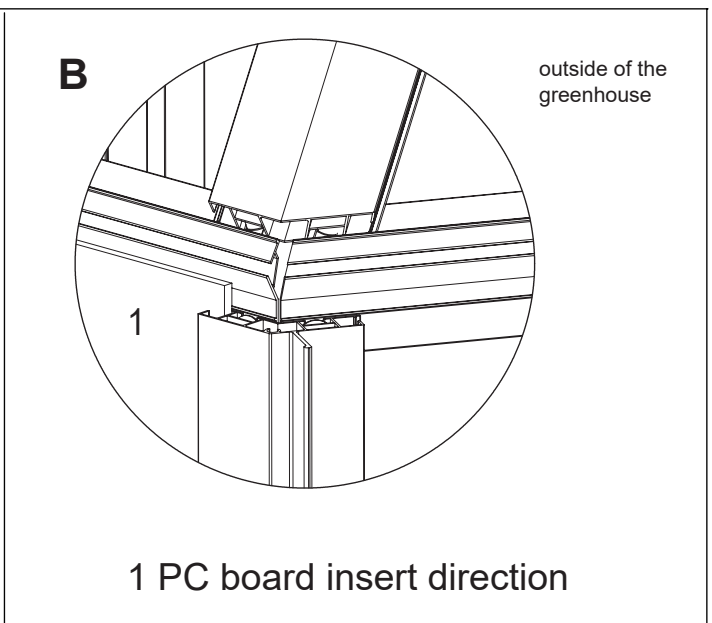
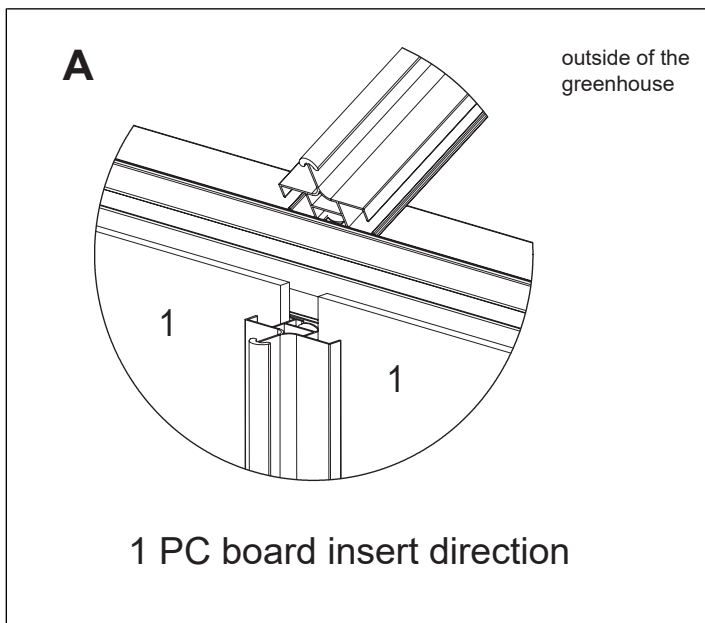
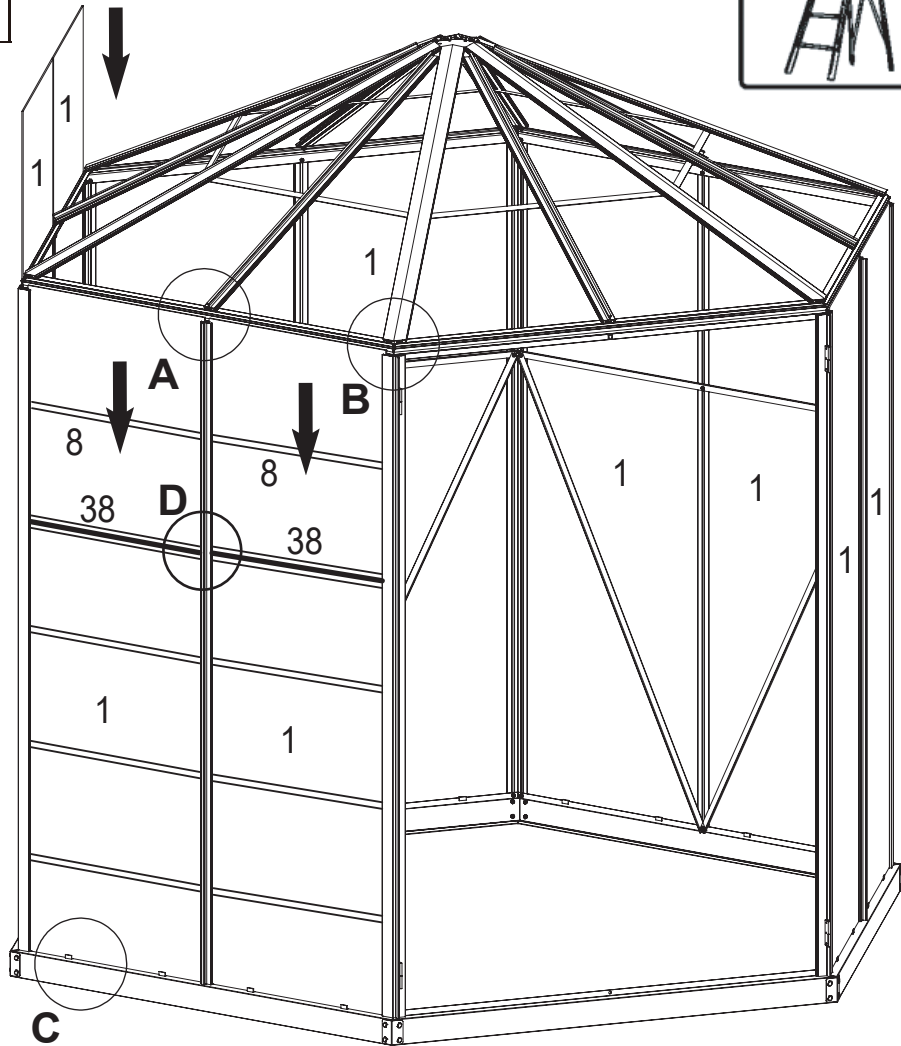
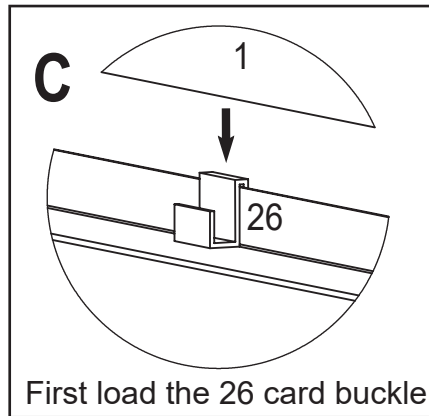
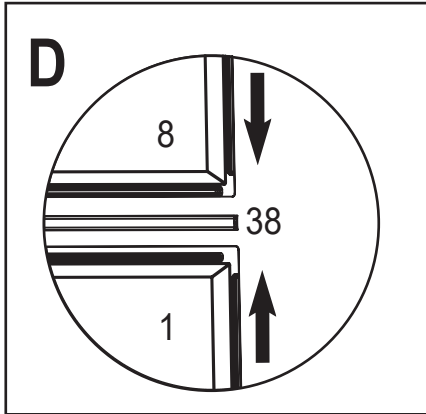


 <p style="text-align: right;">outside of the greenhouse</p> <p style="text-align: center;">Fitting no. 11 is fixed on fitting No. 5</p>	 <p style="text-align: right;">inside of the greenhouse</p> <p style="text-align: center;">Fitting no. 11 is fixed on fitting No. 4</p>
---	---



Green protection film side with UV protection, should toward the sun. White protection film side without UV protection towards inside of the greenhouse

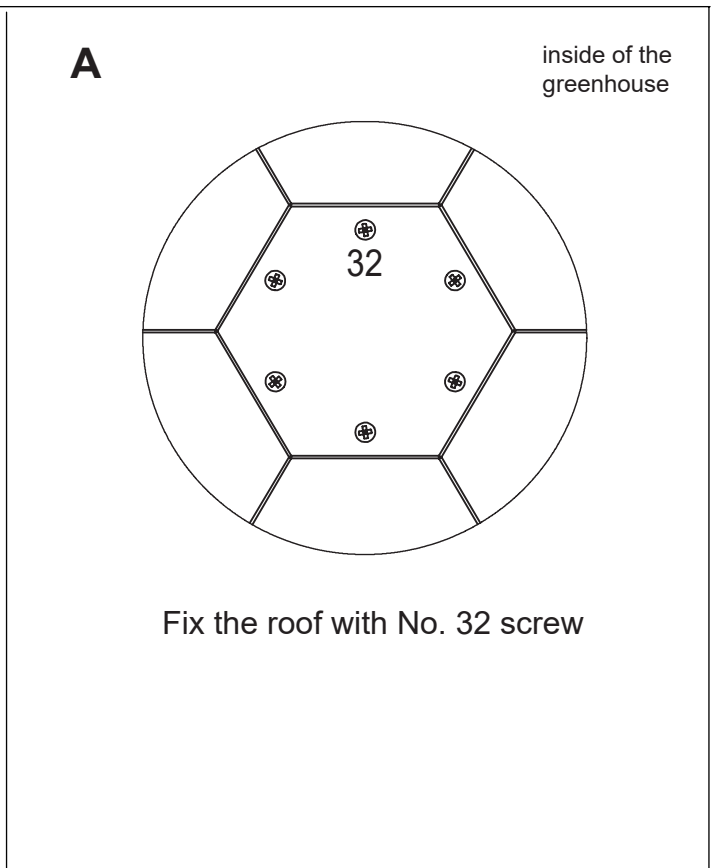
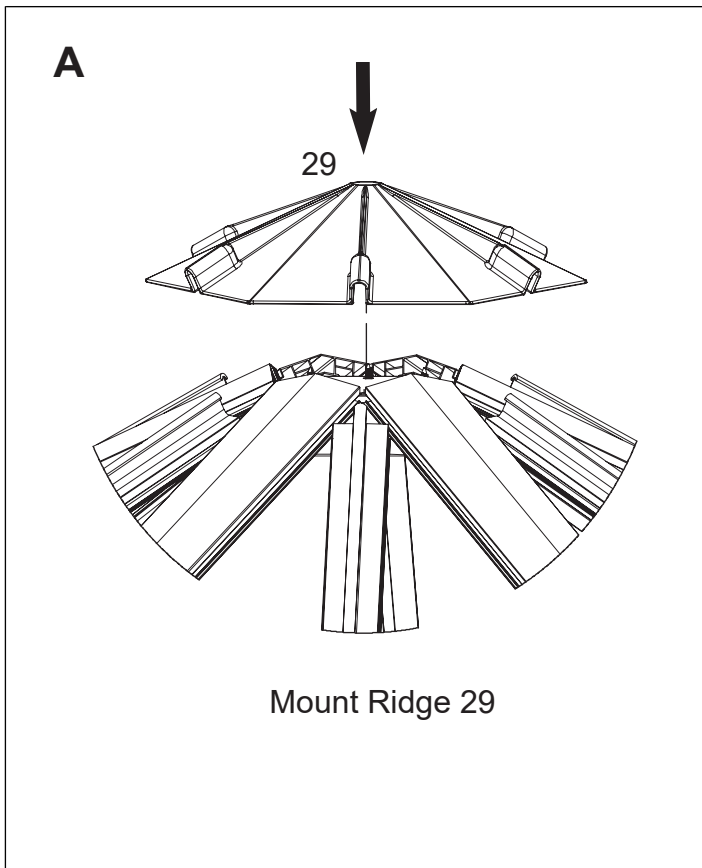
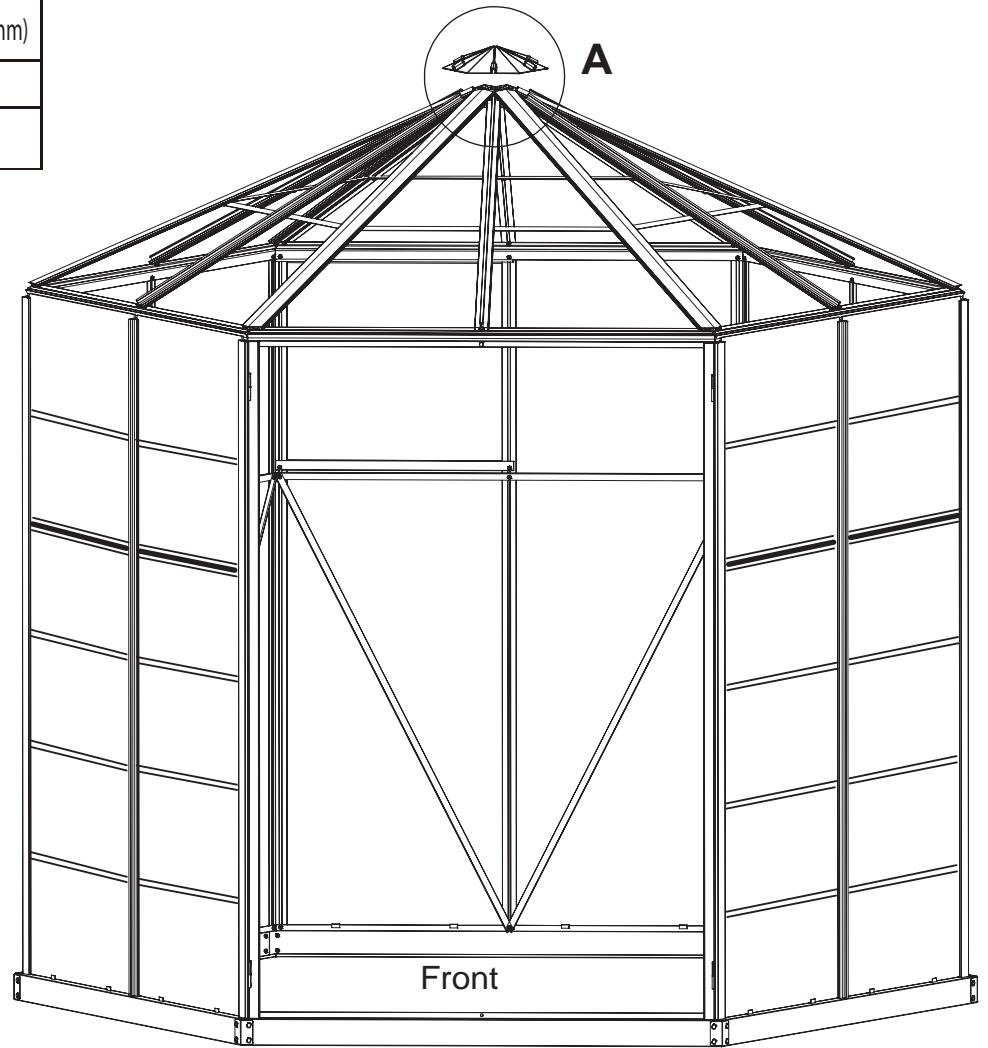
PC panels

Art.Nr.	Qty.	Picture	Dimension(mm)
1	10PC		590x1810
8	10PC		597x605
38	10PC		590



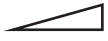

Roof window assembling

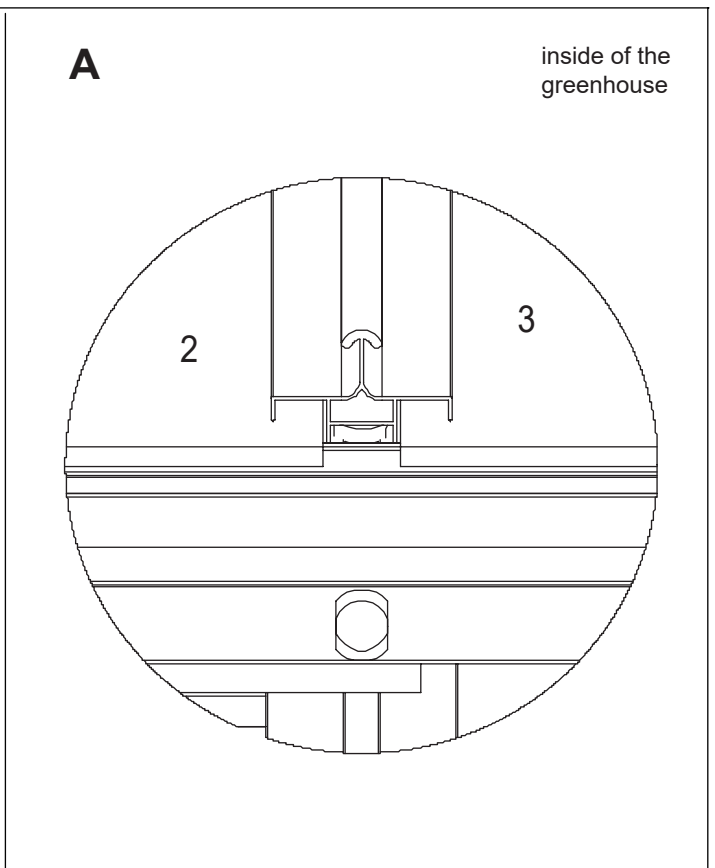
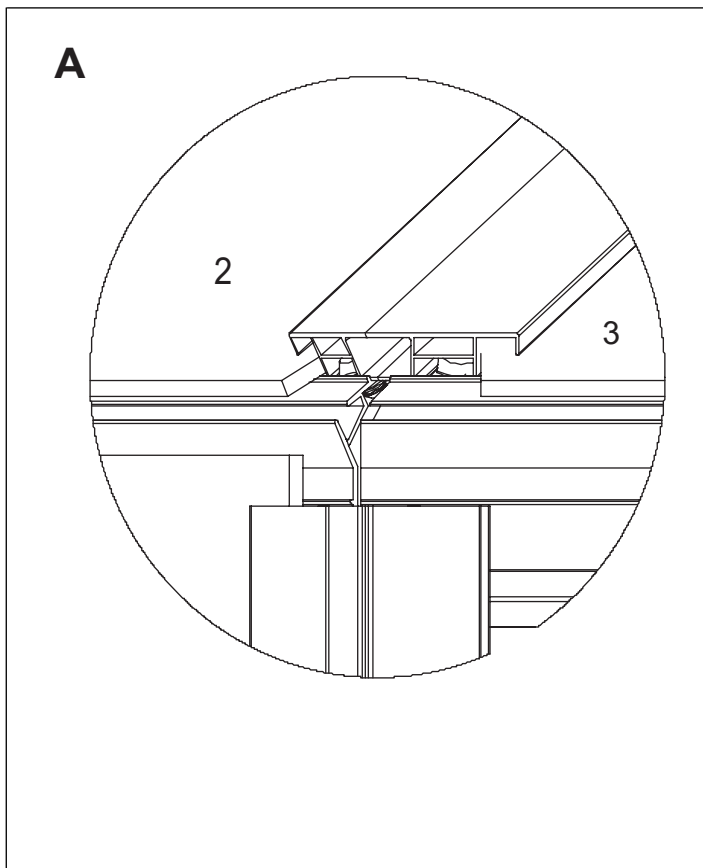
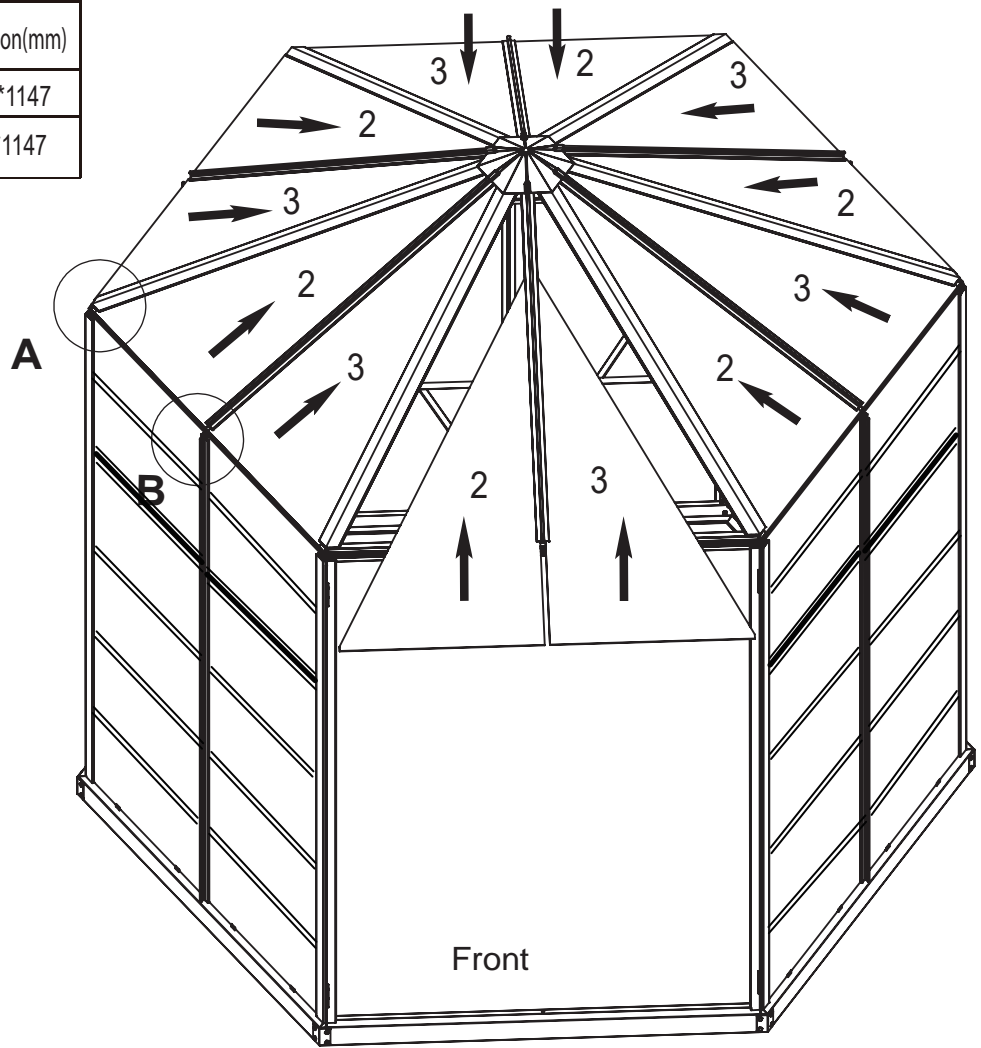
Art.Nr.	Qty.	Picture	Dimension(mm)
29	1PC		
32	6PC		



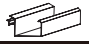
PC panels

Green protection film side with UV protection, should toward the sun. White protection film side without UV protection towards inside of the greenhouse

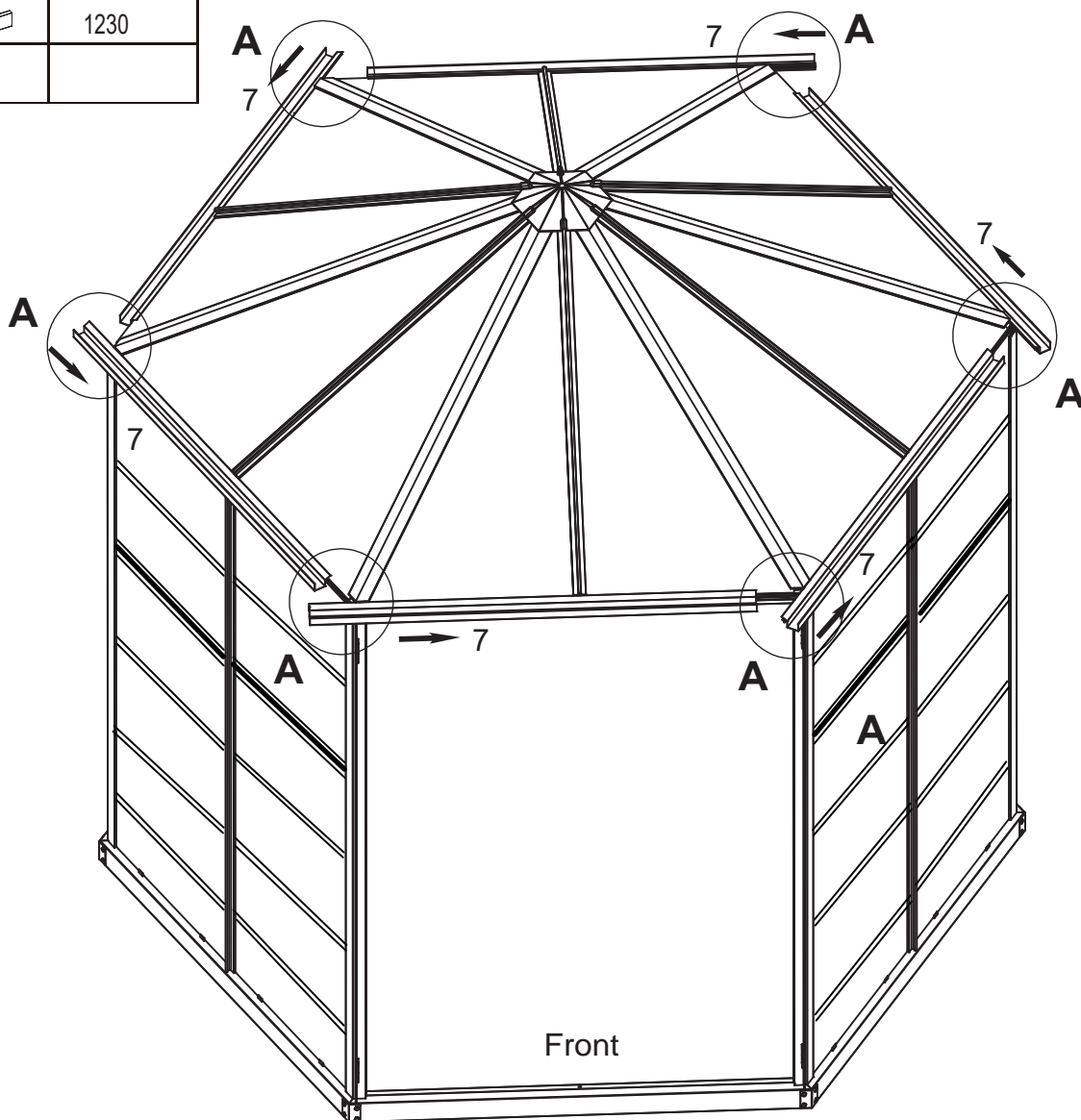
Art.Nr.	Qty.	Picture	Dimension(mm)
2	6PC		582*1147
2	6PC		582*1147



Roof window assembling

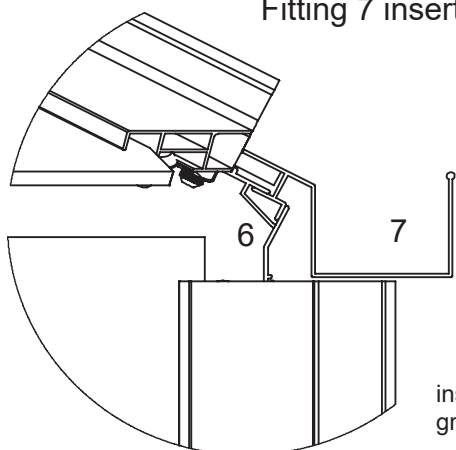
Art.Nr.	Qty.	Picture	Dimension(mm)
7	6PC		1230

No. 7 accessories are not installed in place




A

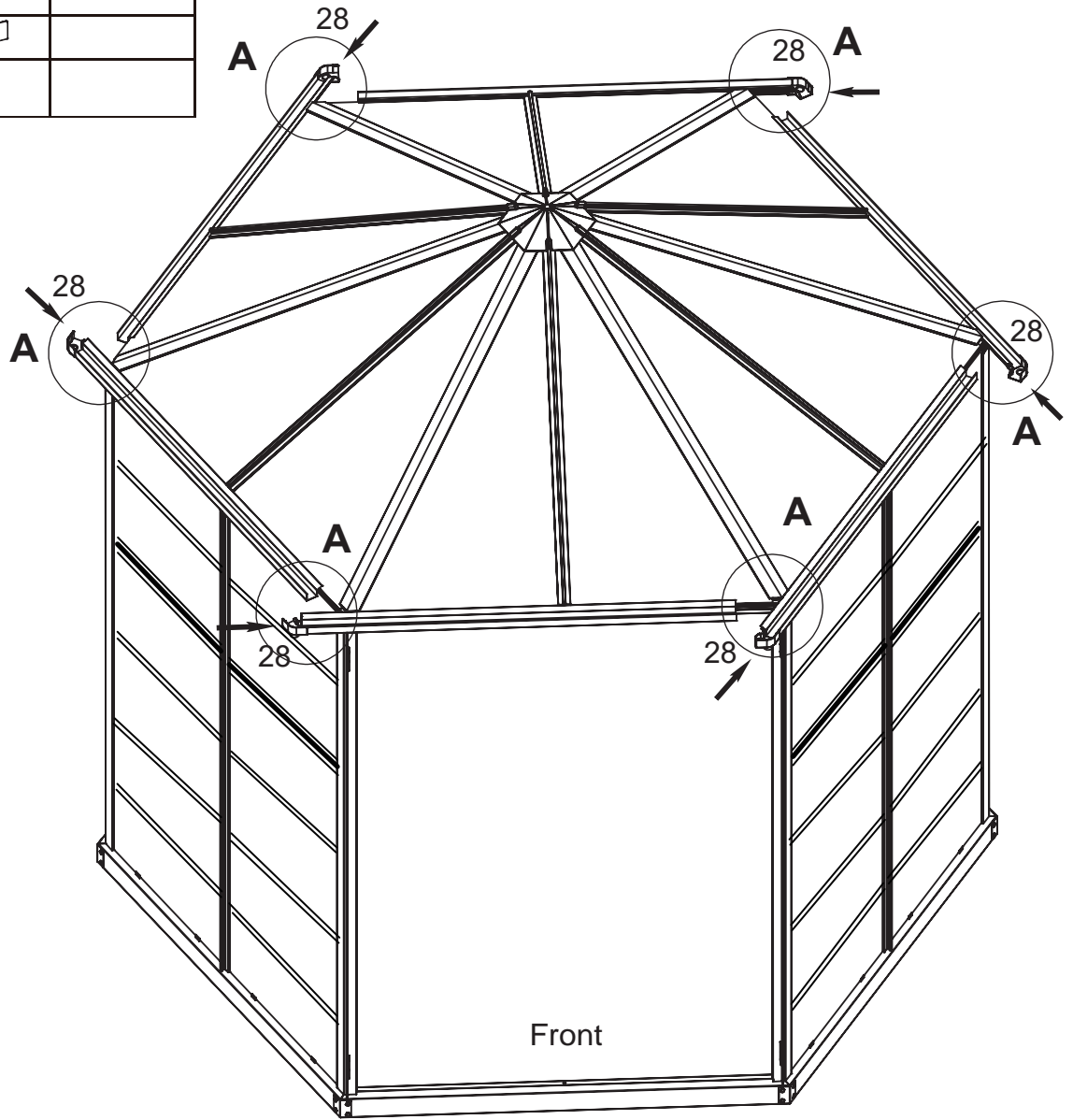
Fitting 7 insert position



inside of the greenhouse

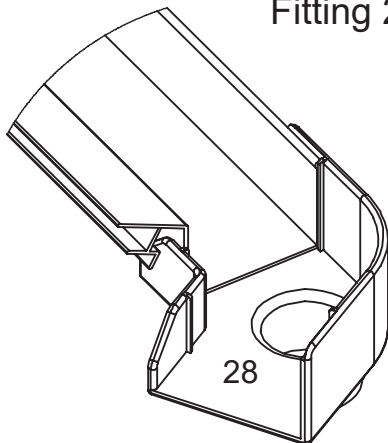
Roof window assembling

Art.Nr.	Qty.	Picture	Dimension(mm)
28	6PC		



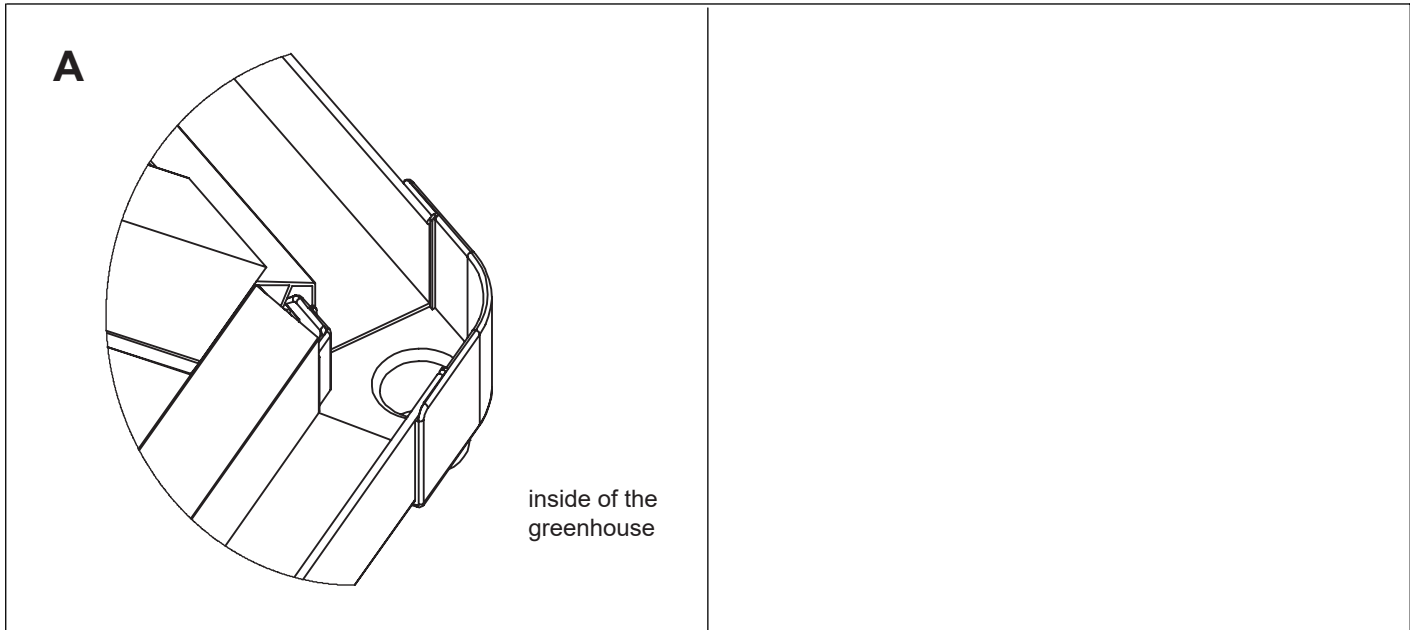
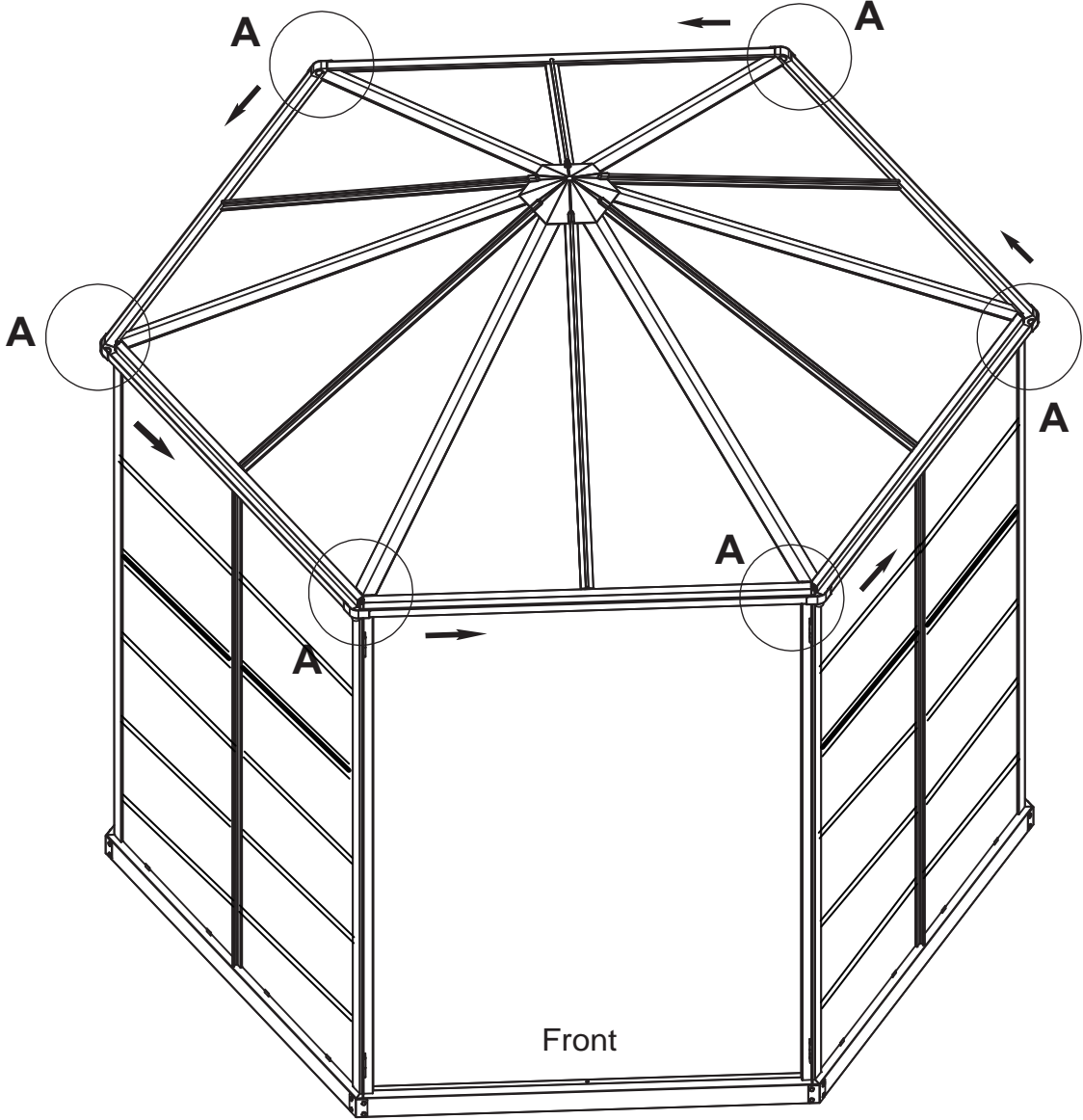
A

Fitting 28 loaded




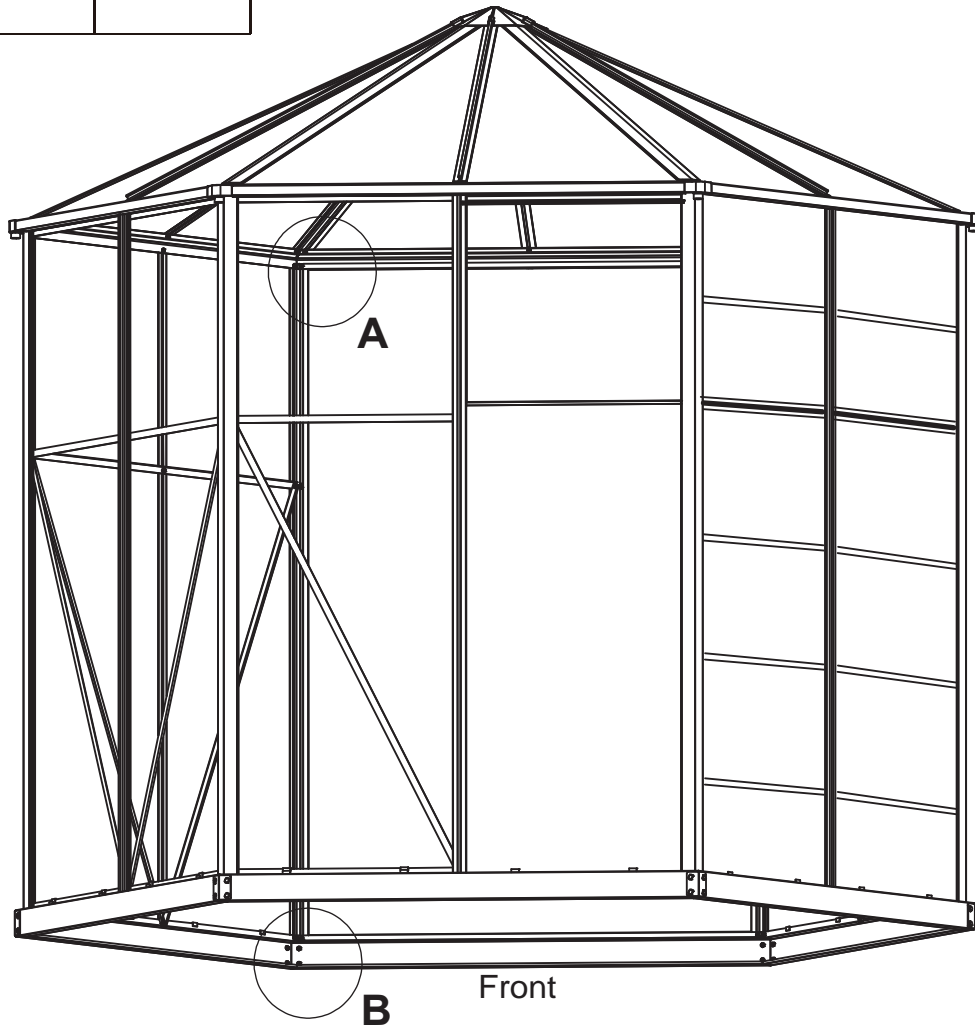
inside of the greenhouse

Push fitting 7 into place in the direction indicated by the arrow



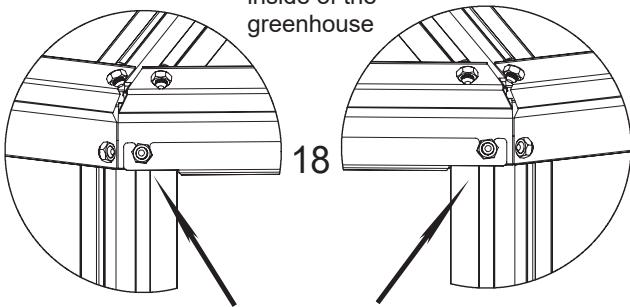
Roof window assembling

Art.Nr.	Qty.	Picture	Dimension(mm)
18	2PC		1230



A

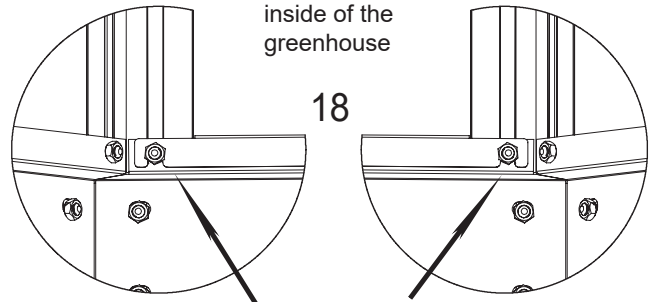
inside of the greenhouse



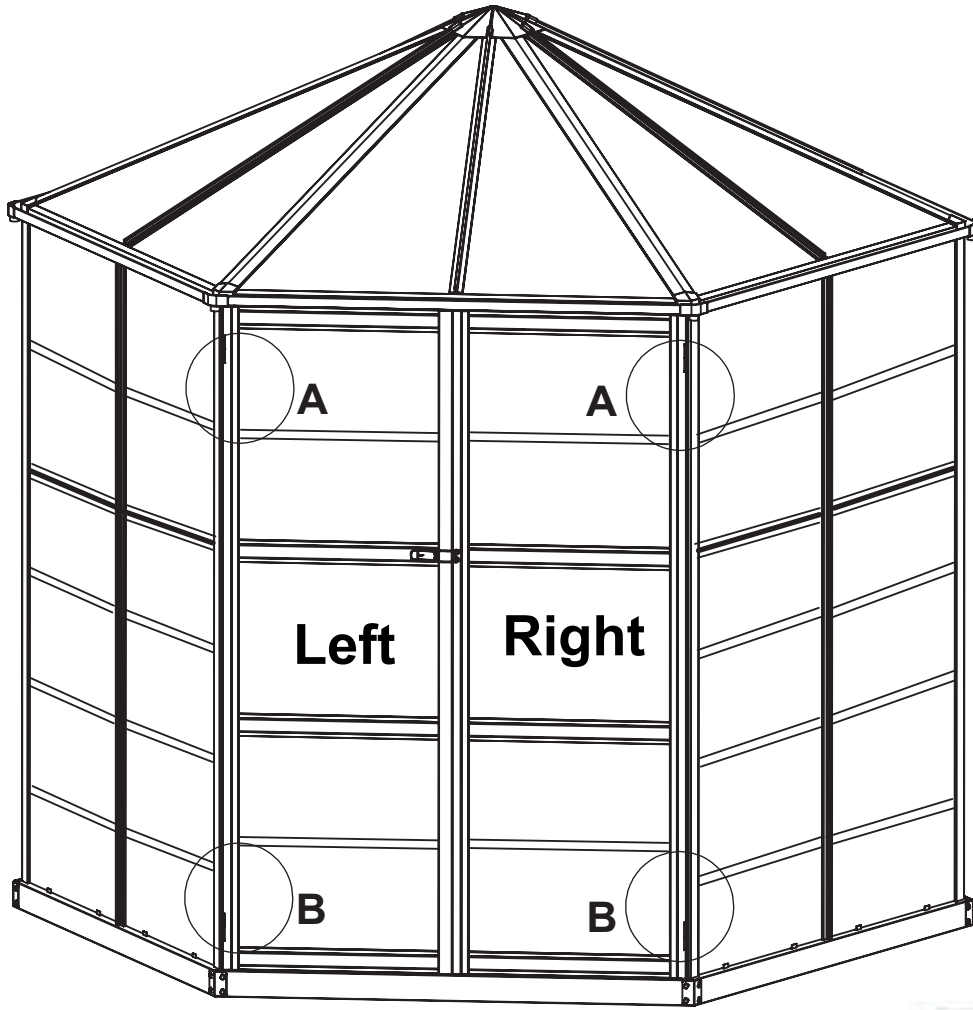
Press the arrow to loosen the screws before loading fitting no. 18, and then tighten the screws

B

inside of the greenhouse

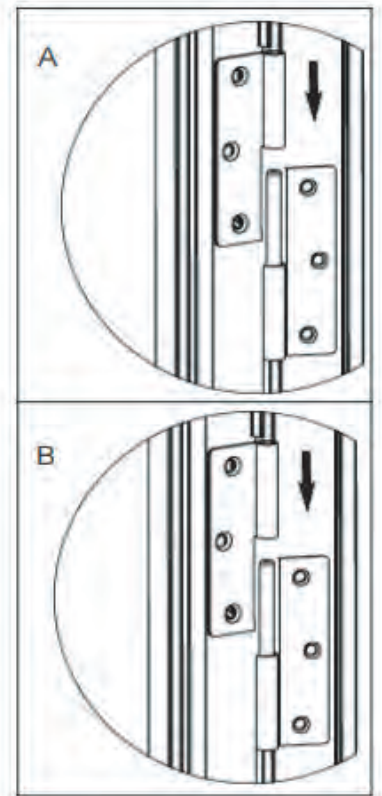


Press the arrow to loosen the screws before loading fitting no. 18, and then tighten the screws




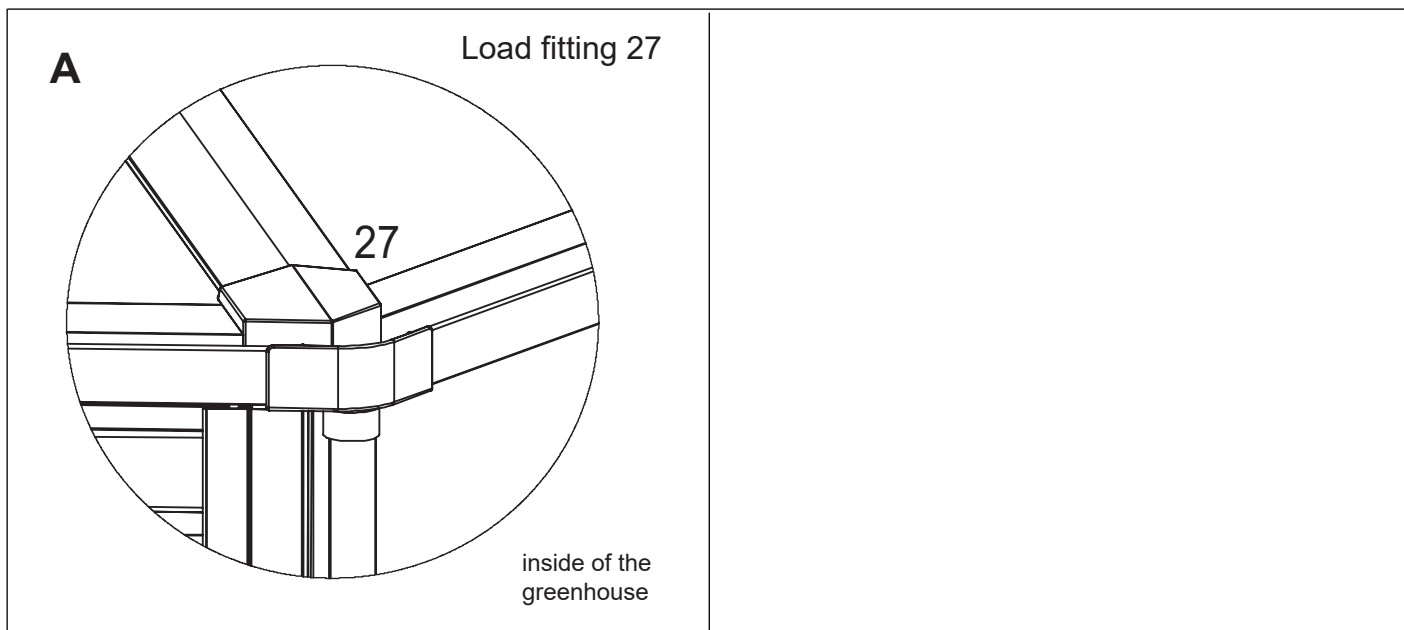
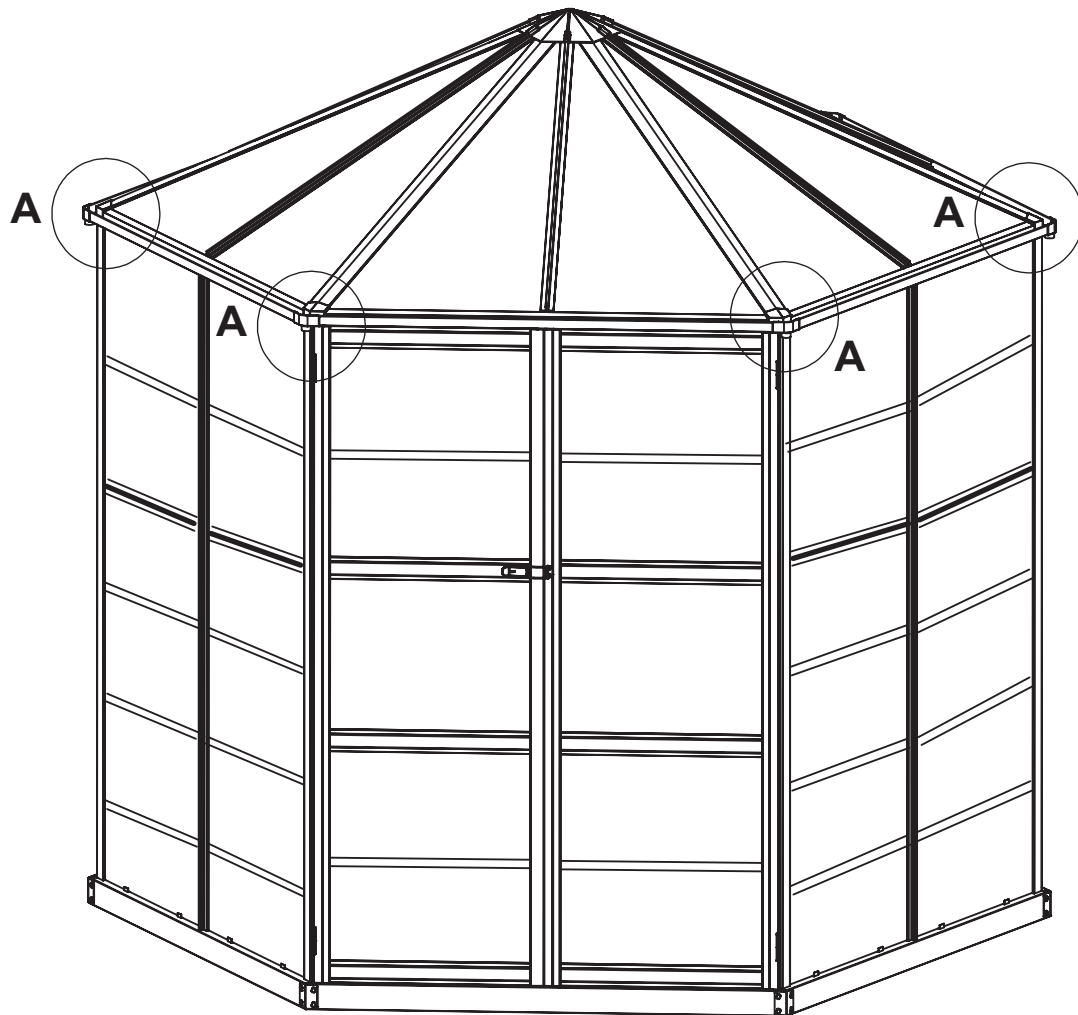
Front

Load the hinge door



Roof window assembling

Art.Nr.	Qty.	Picture	Dimension(mm)
27	6PC		



Maintenance :

Do not let plants growing up to the roof to get too close to the roof structures. Too much weight on the roof can damage greenhouse body, especially if it is windy or raining heavily. Clear the leaves from the roof, they can weaken the light transmission of the sheets. Keep the roof of the greenhouse clear of ice and snow. If necessary, place a support post inside the greenhouse in winter to support the roof. In the event of a storm, make sure that the greenhouse is securely fixed into the ground and that the roof hatch and door remain closed. If necessary, fix the greenhouse to nearby trees with a strong rope or wire.

Make sure regularly that the screws on the frame are remained tight. Avoid hitting the wall and polycarbonate panels with sharp objects. If there is a cut or a hole in the panel, you can fix it with glue or transparent tape.

Keep the polycarbonate panels clean so that light can pass through them well. Generally, polycarbonate panels can be replaced every 5-10 years, if you notice their light transmission ability weakens.

You can make a small mark on the polycarbonate panels showing which side is facing out, so that you recognize the UV-protected side in case the panel is needed to put back in its place after a storm.

You can prevent dirt and moisture going inside the channels of the roof panels by taping the top and bottom ends of the panel.