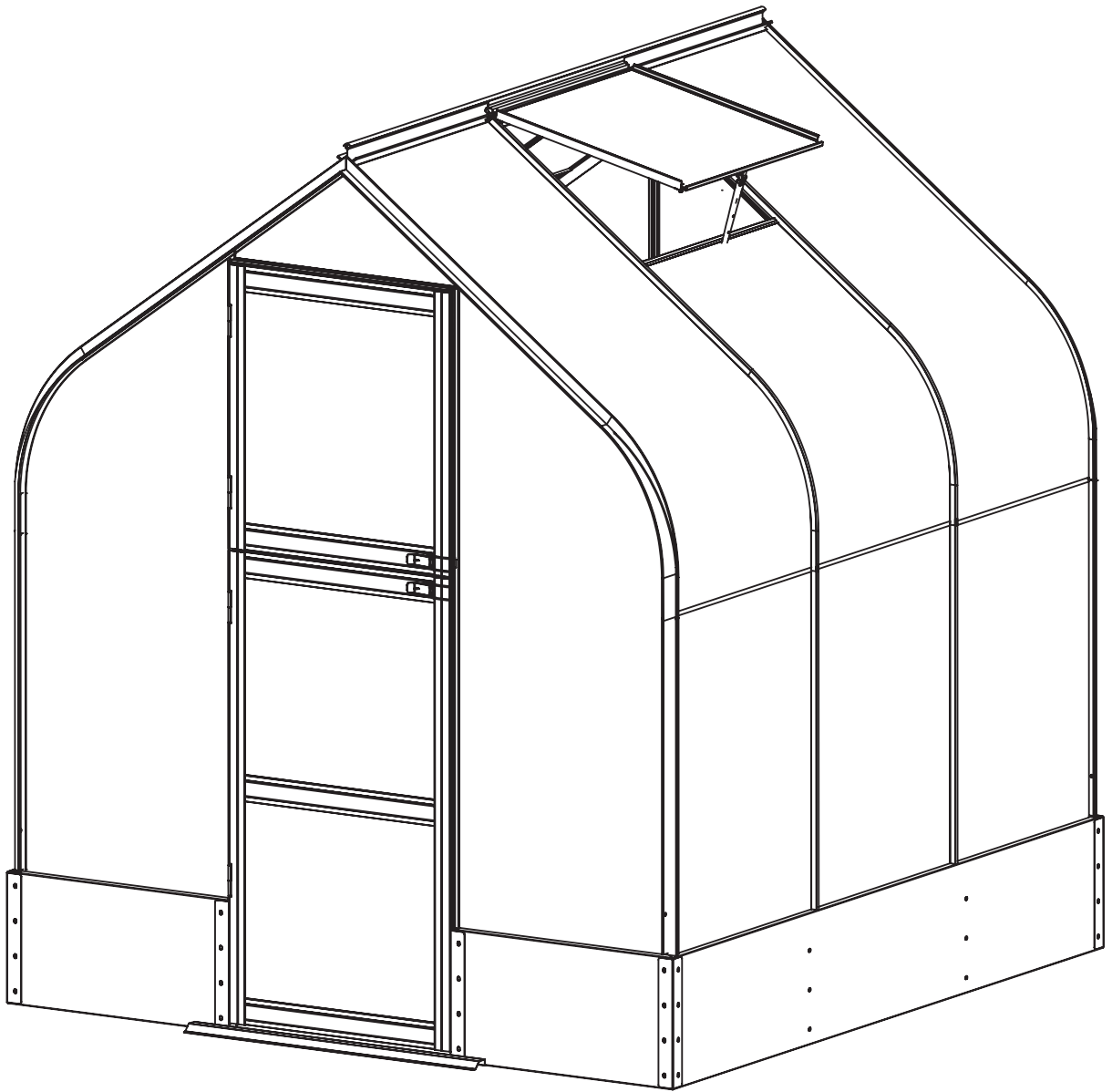


# **Greenhouse**

## **Assembly Instructions**



**Size 258 x 258 x 245 cm**

## PLACING:

- Do not place the greenhouse in an area exposed to very strong winds.
- Choose a sunny, flat place without overhanging trees.

## ASSEMBLY:

### Assembly preparations:

- We recommend to wear gloves and safety glasses during assembly.
- Keep children away from the installation area.
- Do not install the greenhouse in windy or wet conditions.
- For assembly you need as tools at least an electric screwdriver/drill and a measuring tape
- It takes 2-3 days to get the greenhouse fully finished
- Some assembly steps require two people

### During assembly:

- Keep small parts (screws, etc.) in the boxes and bags so they don't get lost.
- Each part is numbered and the corresponding number can be found in the assembly instructions.
- Start assembly by arranging parts with the same number in their own groups around the installation site. The aluminum frame of the greenhouse is built first and the PC-panels are added last.
- Tighten the screws to their full tightness only when you are sure that the assembly step is correctly made
- Make sure the greenhouse is anchored well enough into the ground

### Instructions for mounting the polycarbonate panels:

- Clear transparent PC panels are used for walls and hollow 4mm PC panels are used for roof.
- Film protects the PC panels and it should be kept on to protect the panels during assembly and removed only when mounting the panel.
- Green protection film side with UV protection, should toward the sun. White protection film side without UV protection.
- Handle the polycarbonate wall and roof panels with special care so that they do not get scratched during the assembly .

NEEDED TOOLS(packaging includes one spanner to twist the nuts)









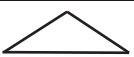


1. Tape measure
2. Level
3. Electric screwdriver + screw tip



Art.Nr.	Picture	Qty.	Dimension(mm)
1		4	770
2		1	1395
3		1	1395
4		1	1395
5		1	1395
6		1	1455
7		1	1455
8		1	1477
9		1	1477
10		4	770
11		4	1400
12		1	607
13		4	
14		1	800
15		1	635
16		1	1832
17		4	
18		2	
19		1	646
20		1	646
21		1	1076
22		1	1076
23		4	1766
24		2	882
25		2	571
26		2	923
27		2	910

Art.Nr.	Picture	Qty.	Dimension(mm)
28		2	552
29		3	552
30		1	595
31		2	520
32		1	595
33		1	1818
34		2	1818
35		2	1820
36		1	
37A		1	
37B		1	
38		2	
39		4	
40		2	
41		2	
42		10	
43		1	
44		1	
45		1	
46		1	
47		1	
48		6	M5*12
49		20	M5*18
50		1	
51			M6*10
52			M6
54		22	

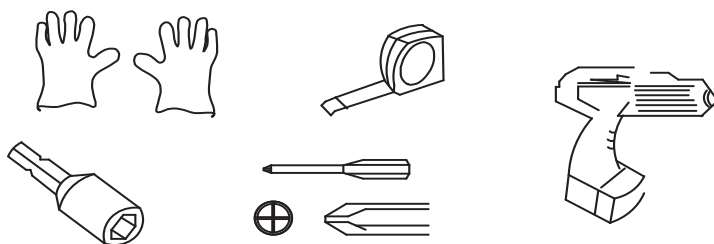
## PC panels

Art.Nr.	Qty.	Picture	Dimension(mm)	
1	1PC		605x1215	4mm panel for the roof
2	5PC		2127x605	4mm panel for the roof
3A	2PC		1475x605	4mm panel for the roof
3B	2PC		1475x605	4mm panel for the roof
4	1PC		1590x605	4mm panel for the roof
5	1PC		595x592	4mm panel for the roof
6	1PC		550x550	4mm panel for the roof
7	2PC		550x470	4mm panel for the roof
8	1PC		570x235	4mm panel for the roof
9	1PC		605x475	4mm panel for the roof
53	162PC			



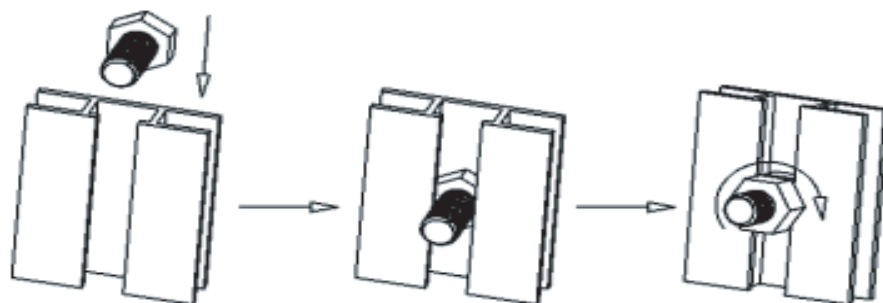
We recommend tearing off the protection films after the panel is put in its place in the greenhouse frame, so you stay aware of which side is UV-protected and the sides don't get mixed up during the assembly. A good way is to remove approx. 5cm of the protective film from all edges of the panel before mounting the panel in the alu frame (so that it doesn't get under the screws and alu strips), and when the panel is fixed in the frame you can completely tear off the protective films.

We recommend to get the following tools available for assembly











(packaging includes one spanner to twist the nuts)

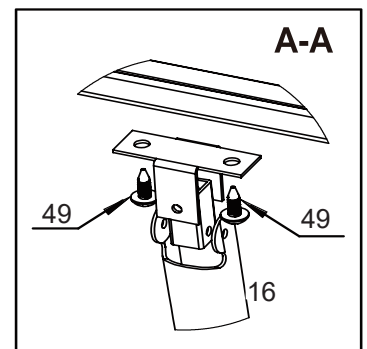
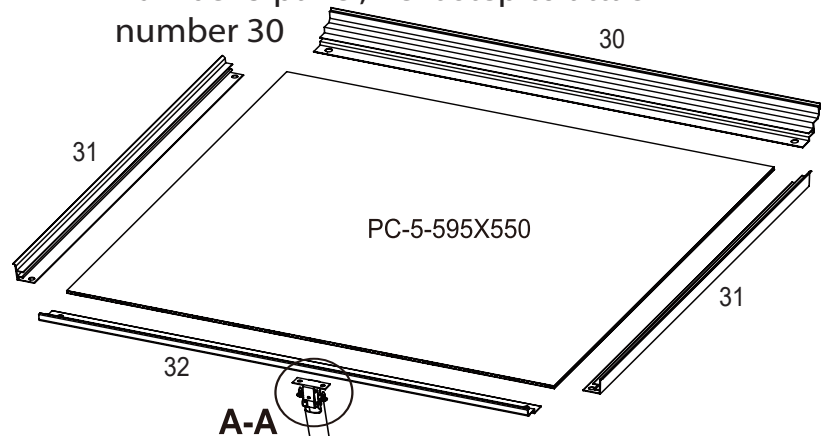
This is how you slide the screws into the grooves of the aluminum rails



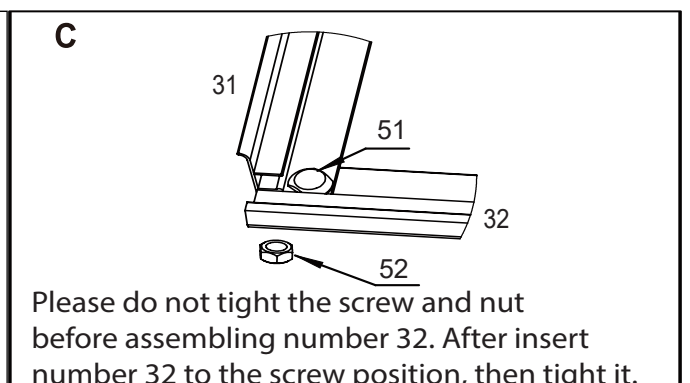
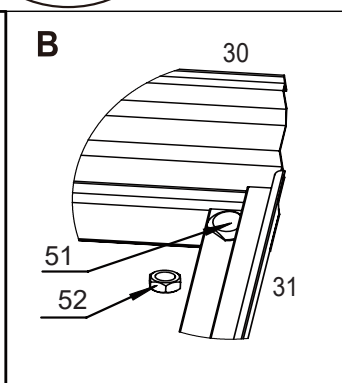
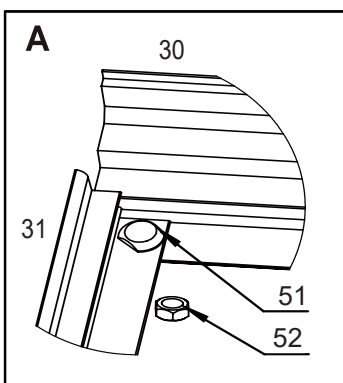
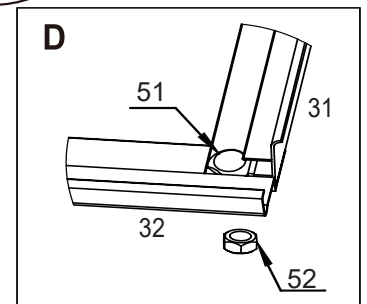
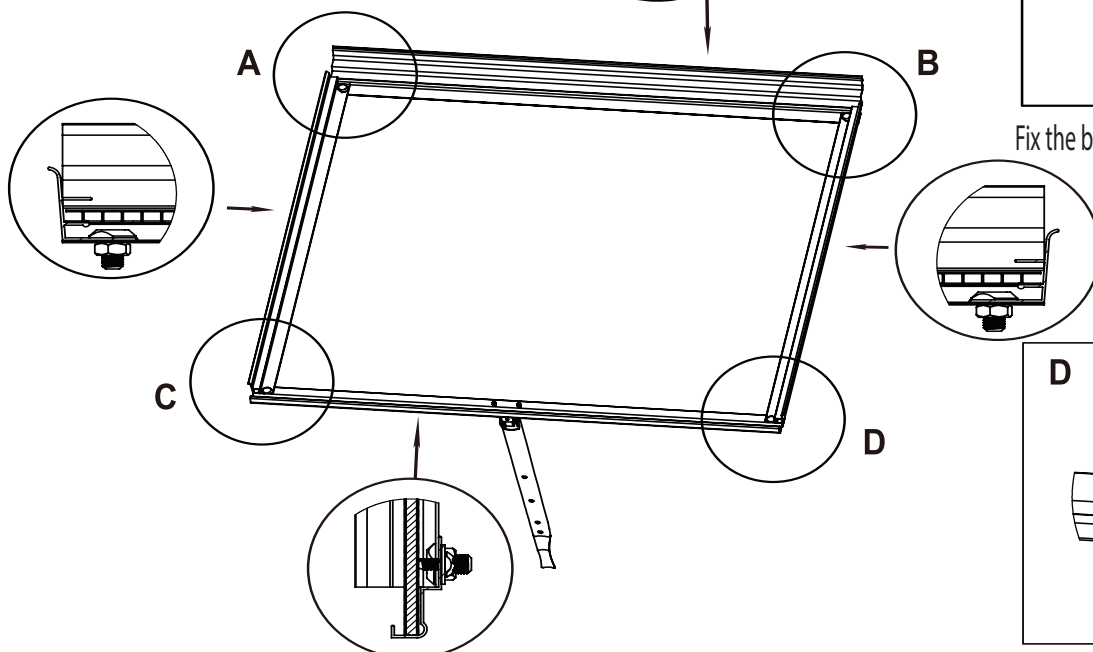
# Roof window assembling

Art.Nr.	Qty.	Picture	Dimension(mm)
30	1PC		520
31	2PC		595
32	1PC		595
16	1PC		
49	2PC		
51	4PC		
52	4PC		
5	1PC		595 x 550

Please layout the exploded diagrams as below picture, insert number 51 screws from top to bottom, assemble number 31 and number 32 first, then assemble number 5 panel, next step to attach number 30



Fix the bracket on the reserved screw hole



Please do not tight the screw and nut before assembling number 32. After insert number 32 to the screw position, then tight it.

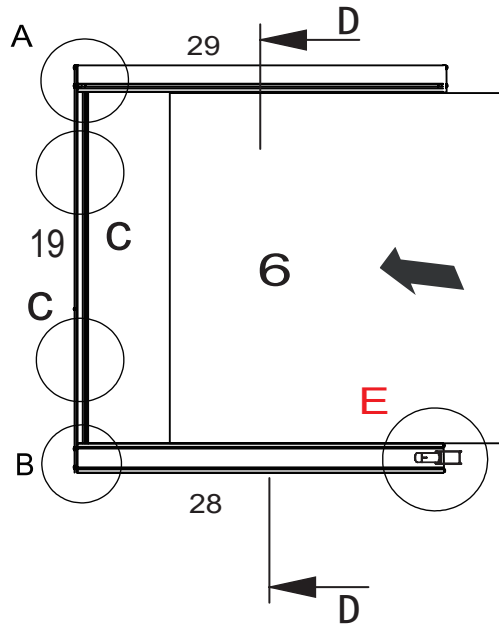
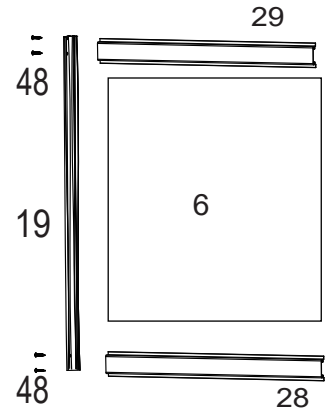
Green protection film side with UV protection, should toward the sun. White protection film side without UV protection towards inside of the greenhouse.

# Assemble the frame of sliding door

Art.Nr.	Qty.	Picture	Dimension(mm)
19	1PC		646
28	1PC		552
29	1PC		552
48	4		
<b>PC panels</b>			
6	1PC		590x430

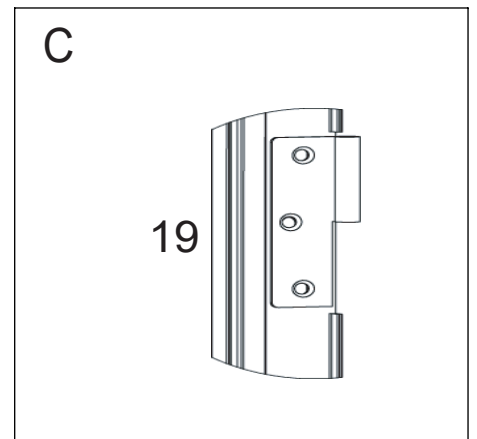
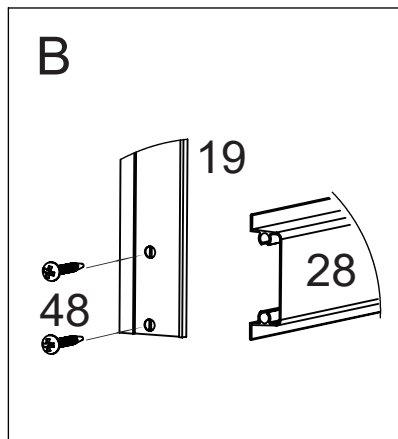
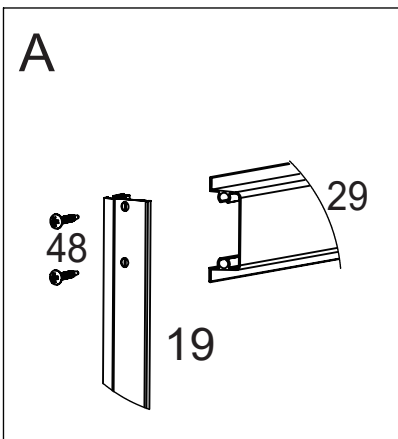
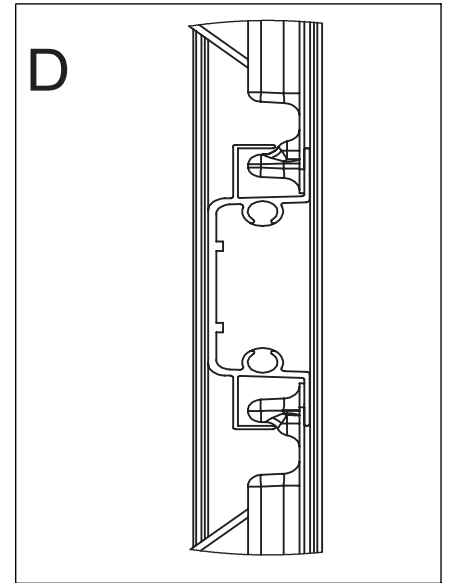
First install the attachments in A/b/order, then insert PC Board 6

A magnetic screwdriver is required to assemble the door

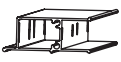



**E**

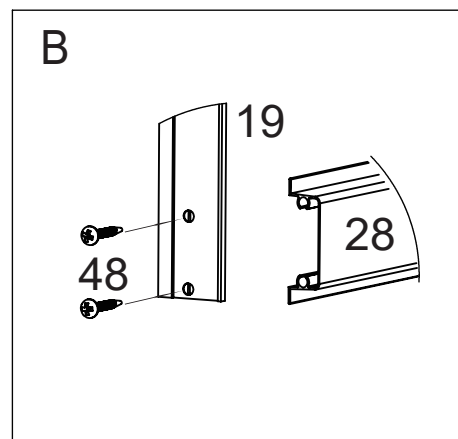
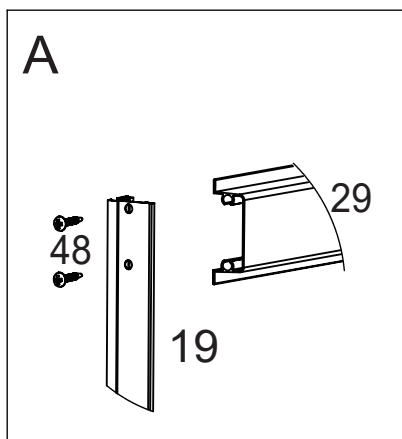
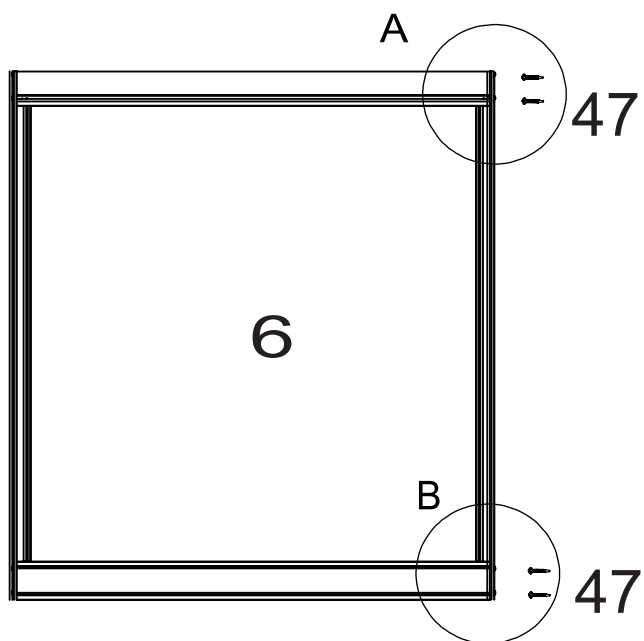
Note the mounting direction of the No. 28 latch




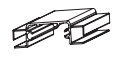


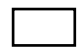
## Assemble the frame of sliding door

Art.Nr.	Qty.	Picture	Dimension(mm)
20	1PC		646
48	4PC		

A magnetic screwdriver is required to assemble the door

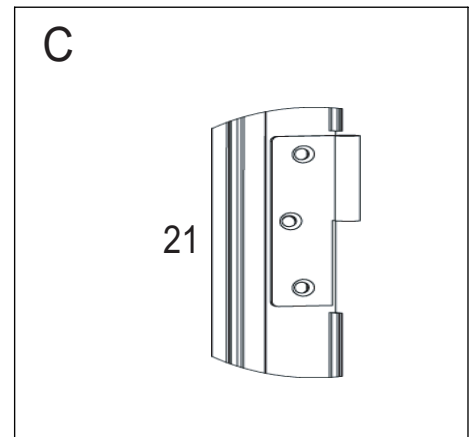
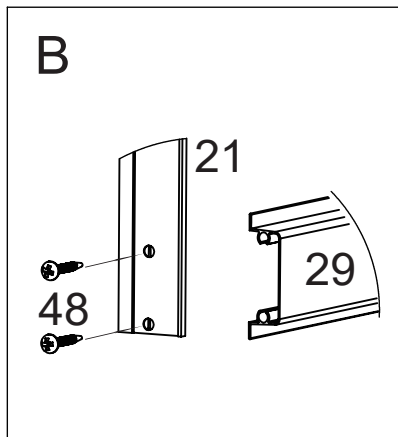
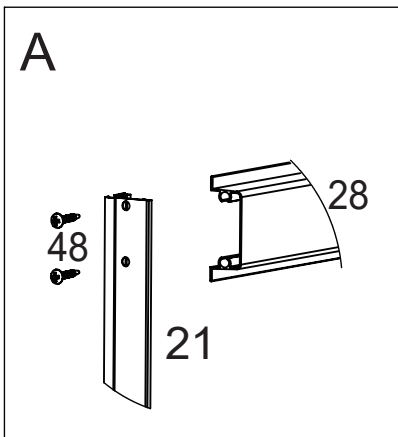
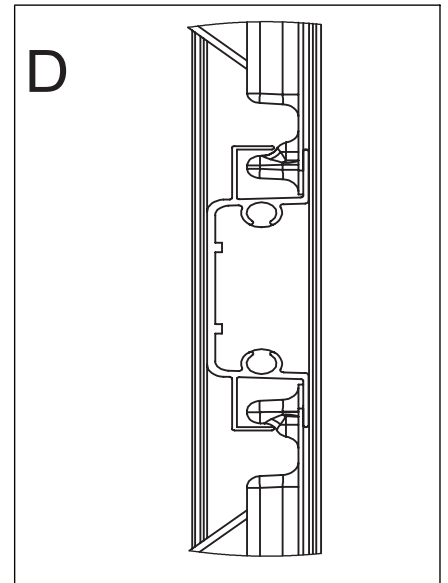
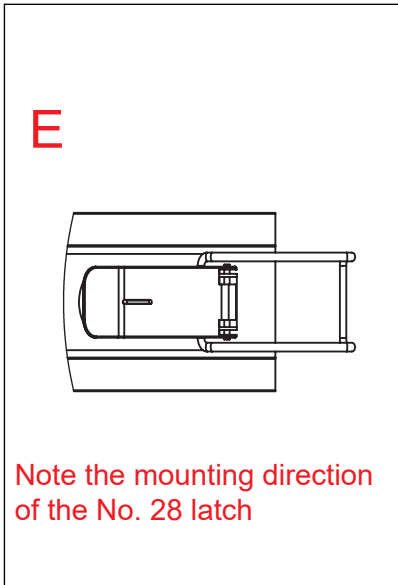
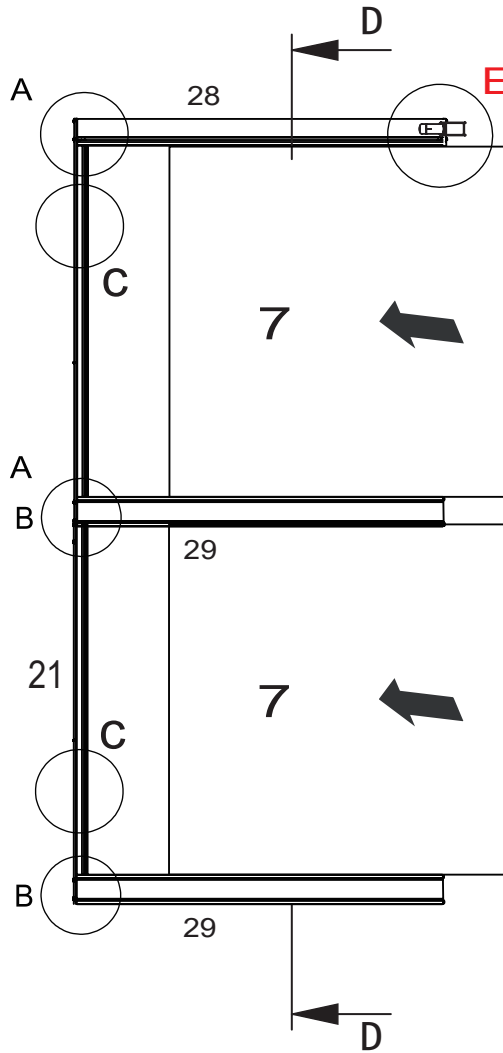
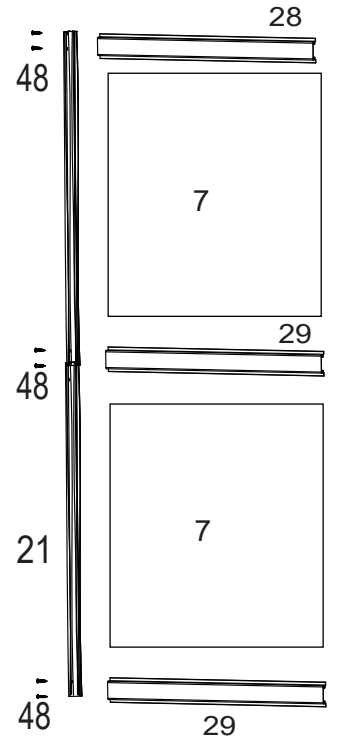


# Assemble the frame of sliding door



Art.Nr.	Qty.	Picture	Dimension(mm)
21	1PC		1076
28	1PC		552
29	2PC		552
48	6		
<b>PC panels</b>			
7	2PC		550*470

First install the attachments in A/b/order, then insert PC Board 7

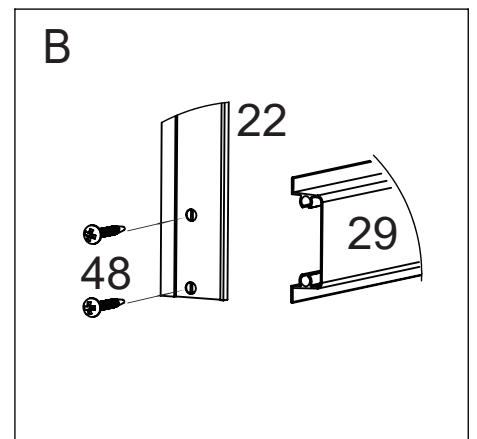
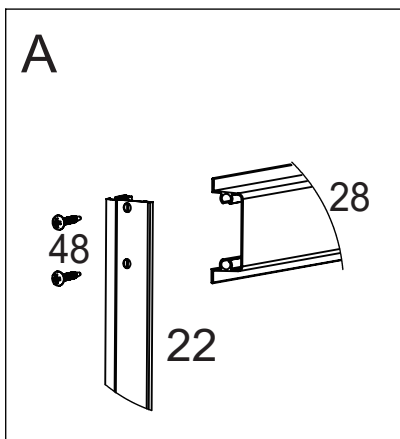
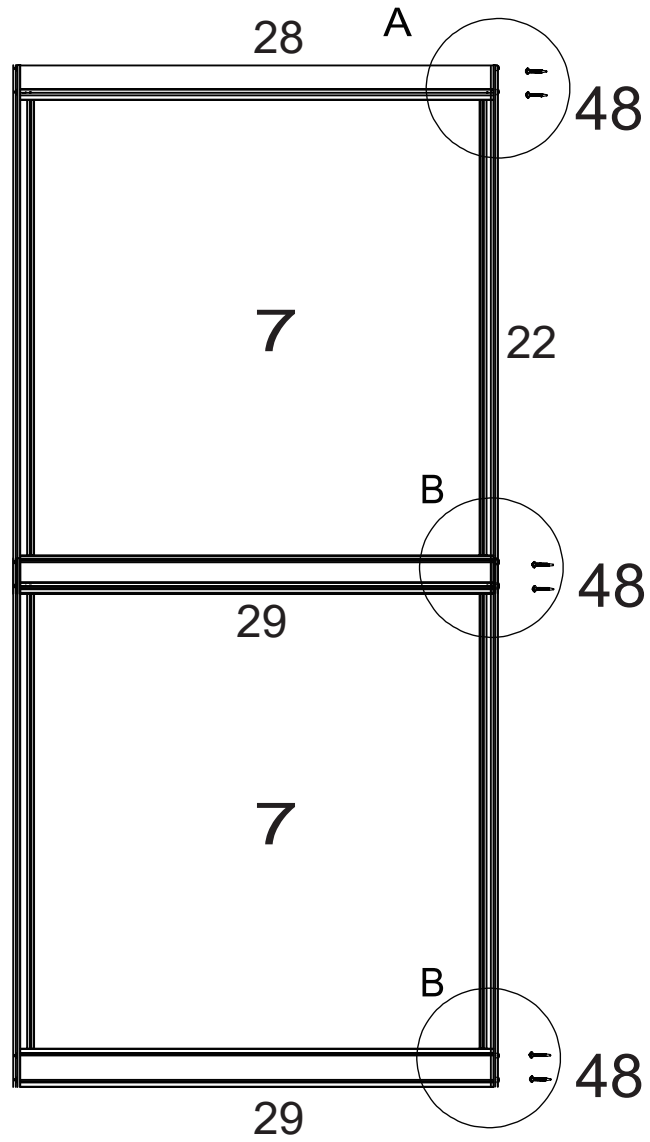
A magnetic screwdriver is required to assemble the door



# Assemble the frame of sliding door

Art.Nr.	Qty.	Picture	Dimension(mm)
22	1PC		1076
48	6PC		

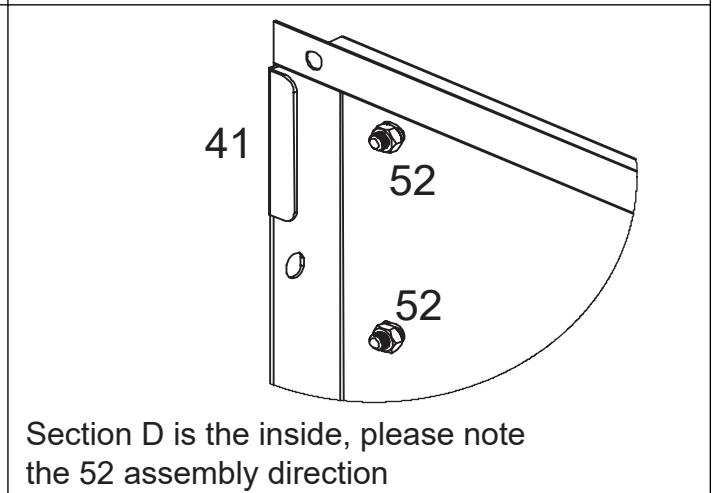
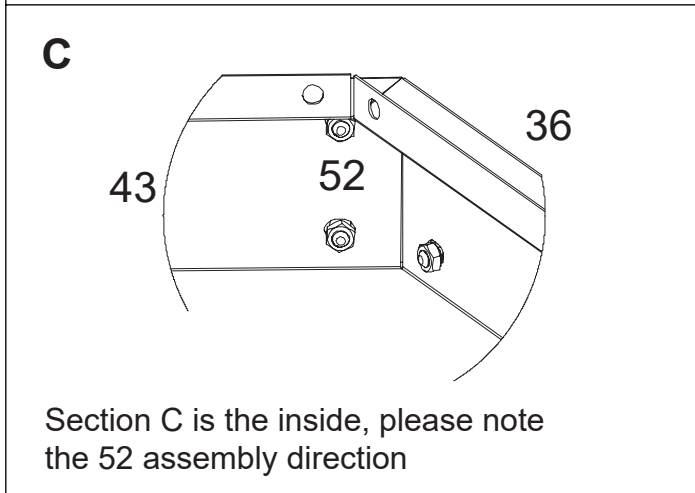
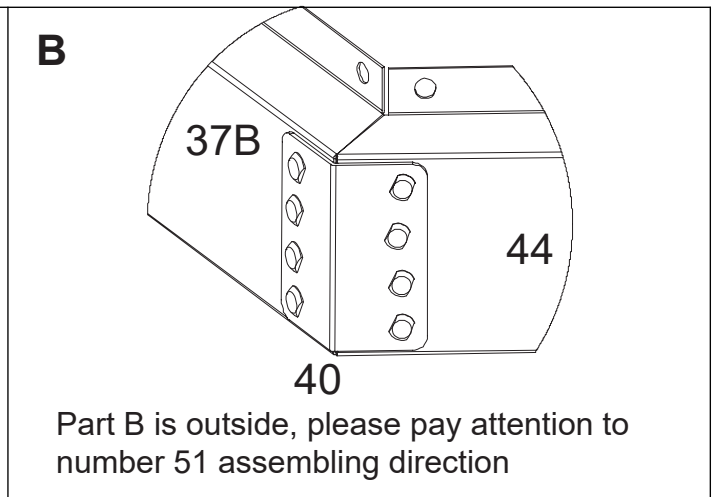
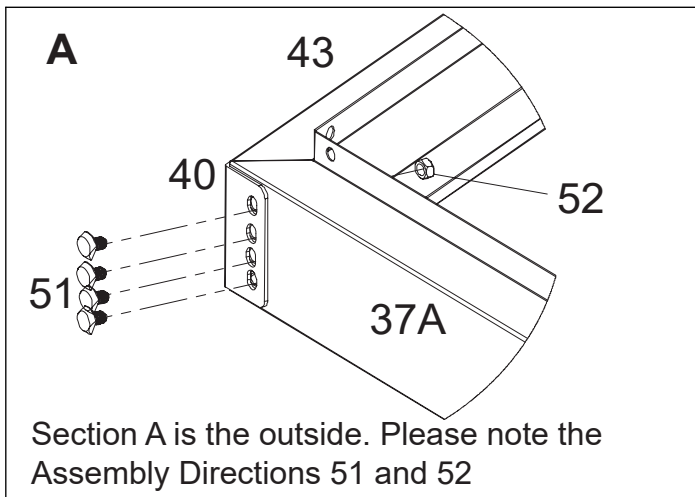
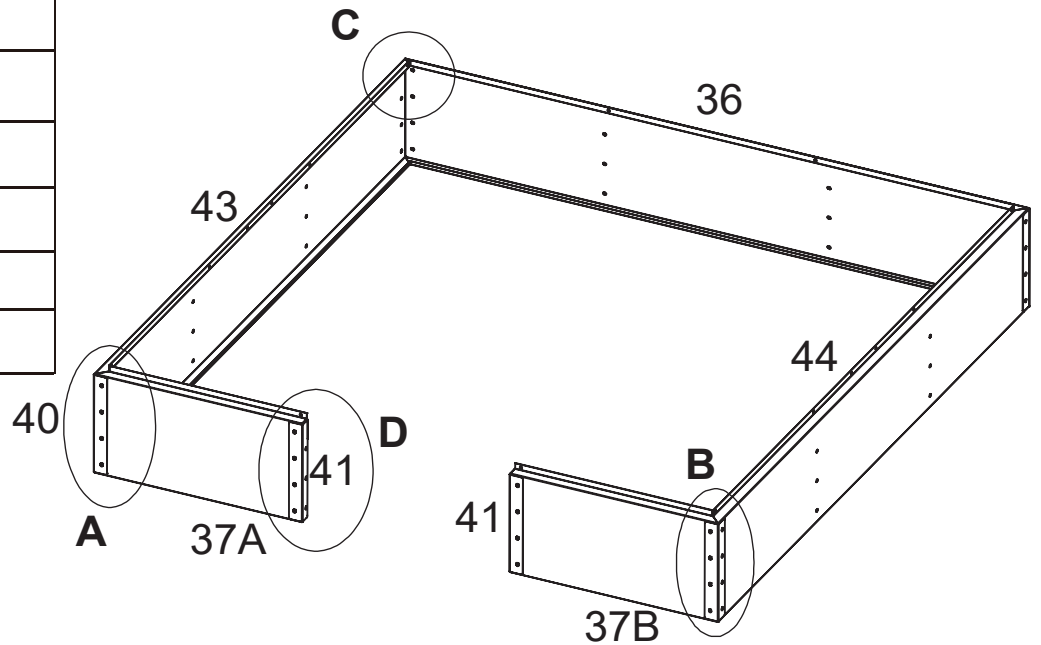
A magnetic screwdriver is required to assemble the door



# Foundation assembling


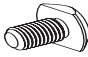

Art.Nr.	Qty.	Picture	Dimension(mm)
36	1PC		
37A	1PC		
37B	1PC		
40	4PC		
41	2PC		
43	1PC		
44	1PC		
51	24PC		
52	24PC		

A/b/c/installation method of foot frame installation and connection, fixing from outside with No. 51 screw and tightening with No. 52 nut.

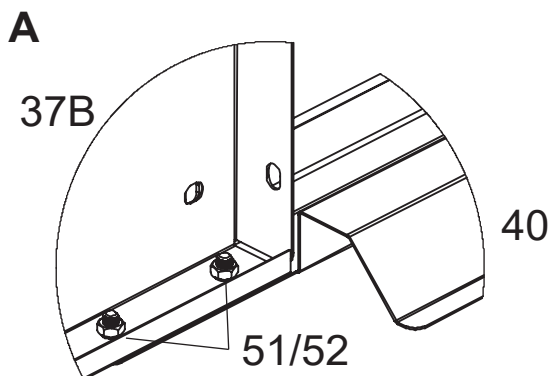
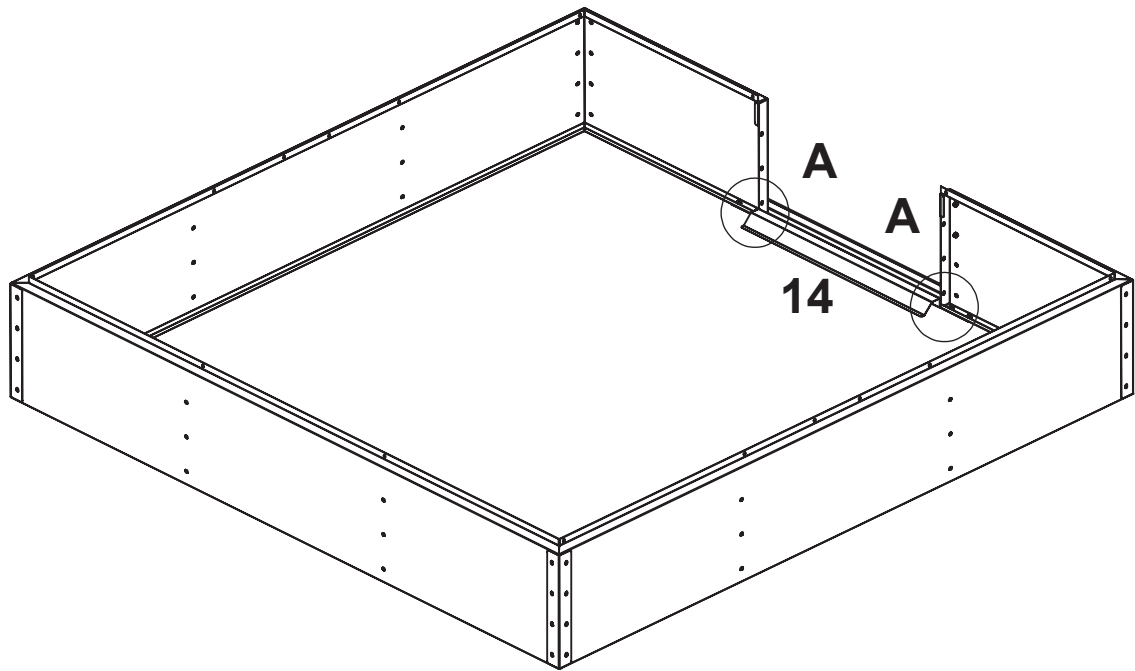




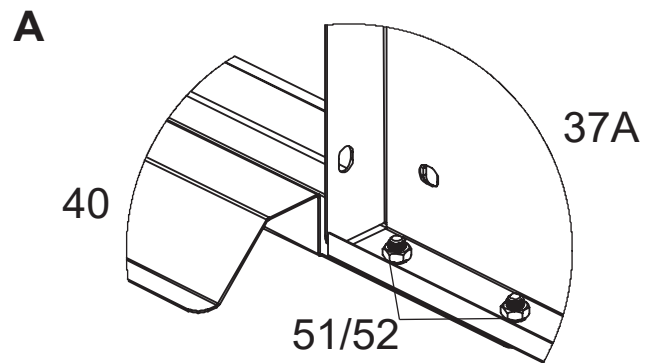
# Foundation assembling

Art.Nr.	Qty.	Picture	Dimension(mm)
14	1PC		
51	4PC		
52	4PC		

## Foundation mounting, fitting No. 14






SPart A is inside, please note the 51/52 installation direction

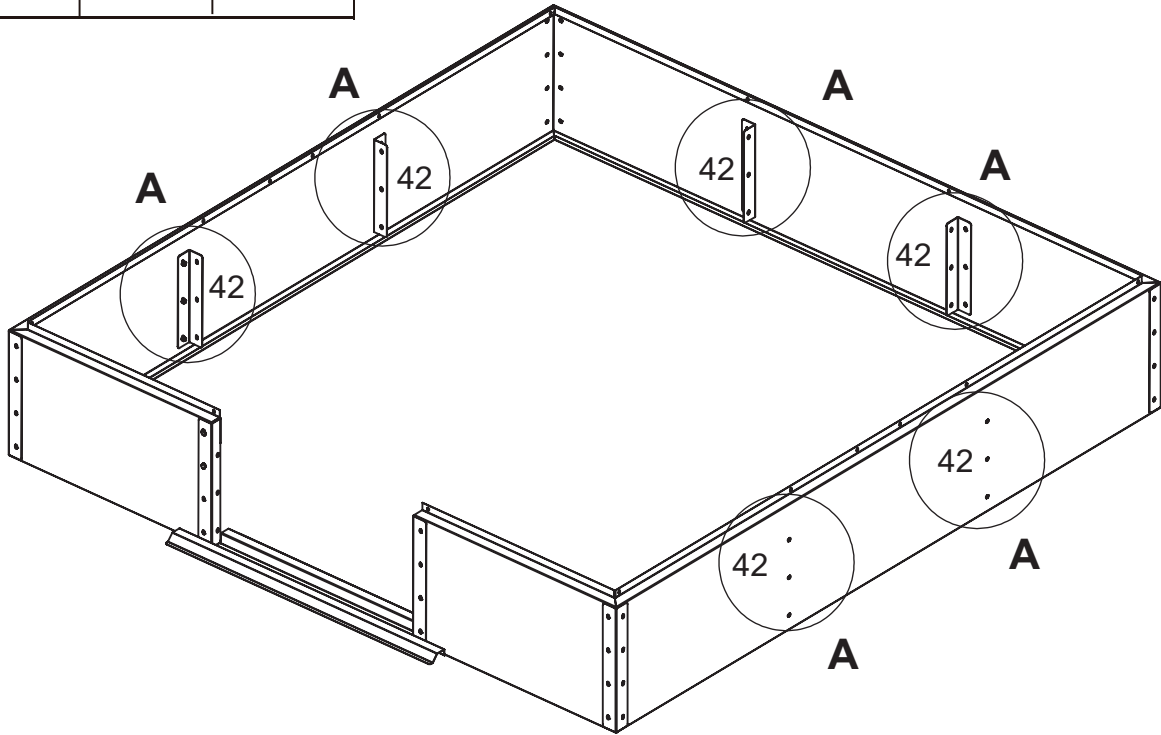


SPart A is inside, please note the 51/52 installation direction

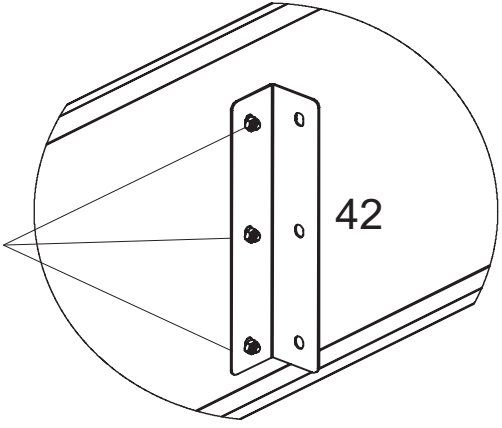
# Foundation assembling

Art.Nr.	Qty.	Picture	Dimension(mm)
42	6PC		
51	18PC		
52	18PC		

## Foundation mounting, fitting No. 42



**A**

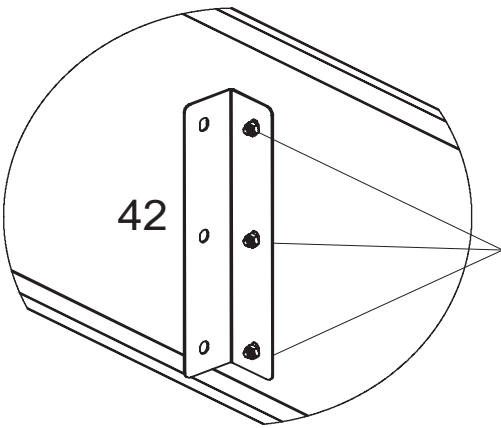


51/52

42

SPart A is inside, please note the 51/52 installation direction

**A**



42

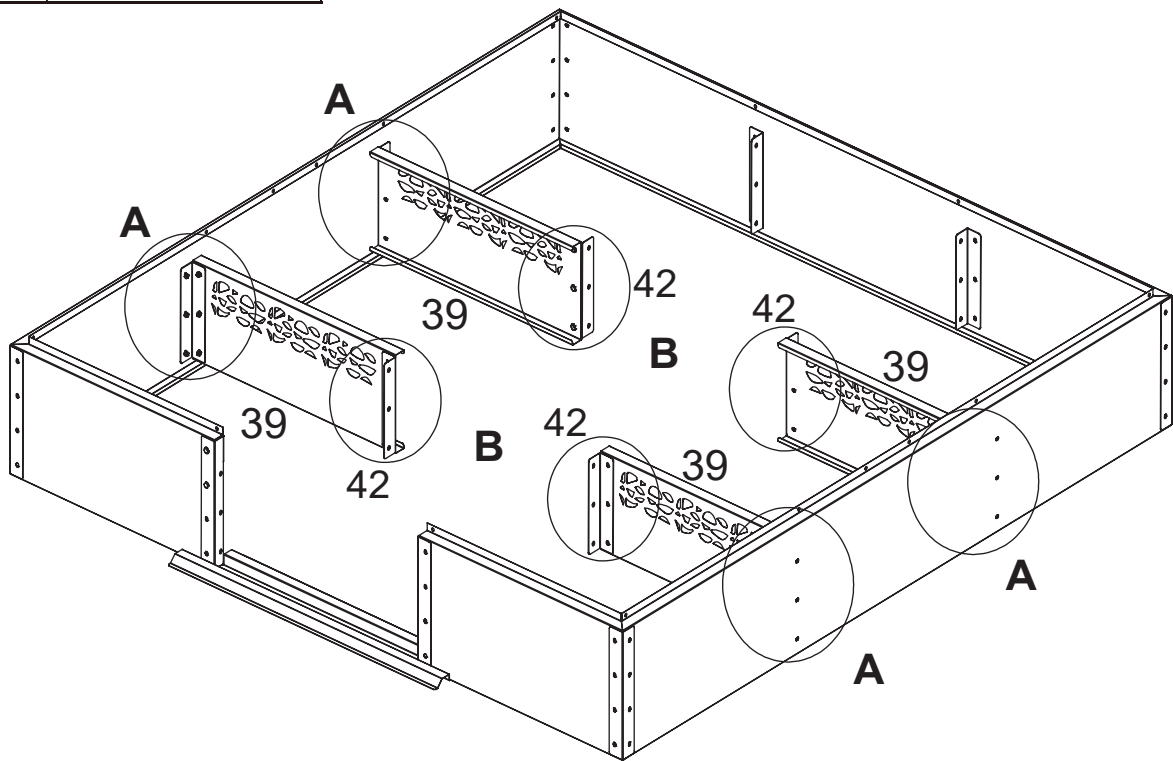
51/52

SPart A is inside, please note the 51/52 installation direction

# Foundation assembling

Art.Nr.	Qty.	Picture	Dimension(mm)
39	4PC		
42	4PC		
51	24PC		
52	24PC		

## Installation of foundation partition



**A**

51/52

39

SPart A is inside, please note the 51/52 installation direction

**B**




39

51/52

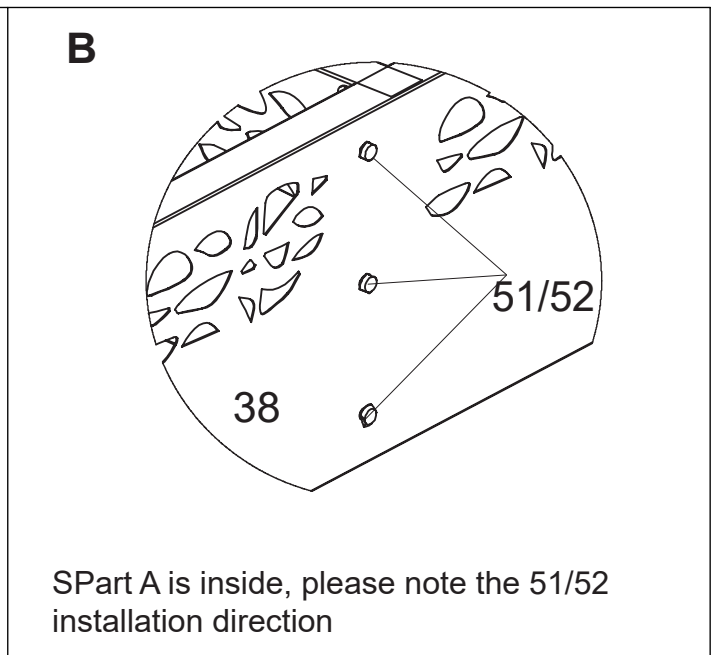
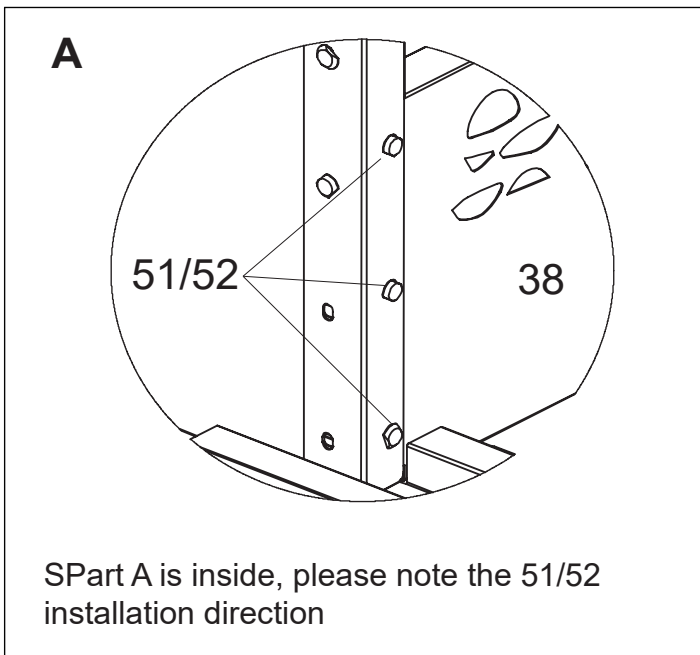
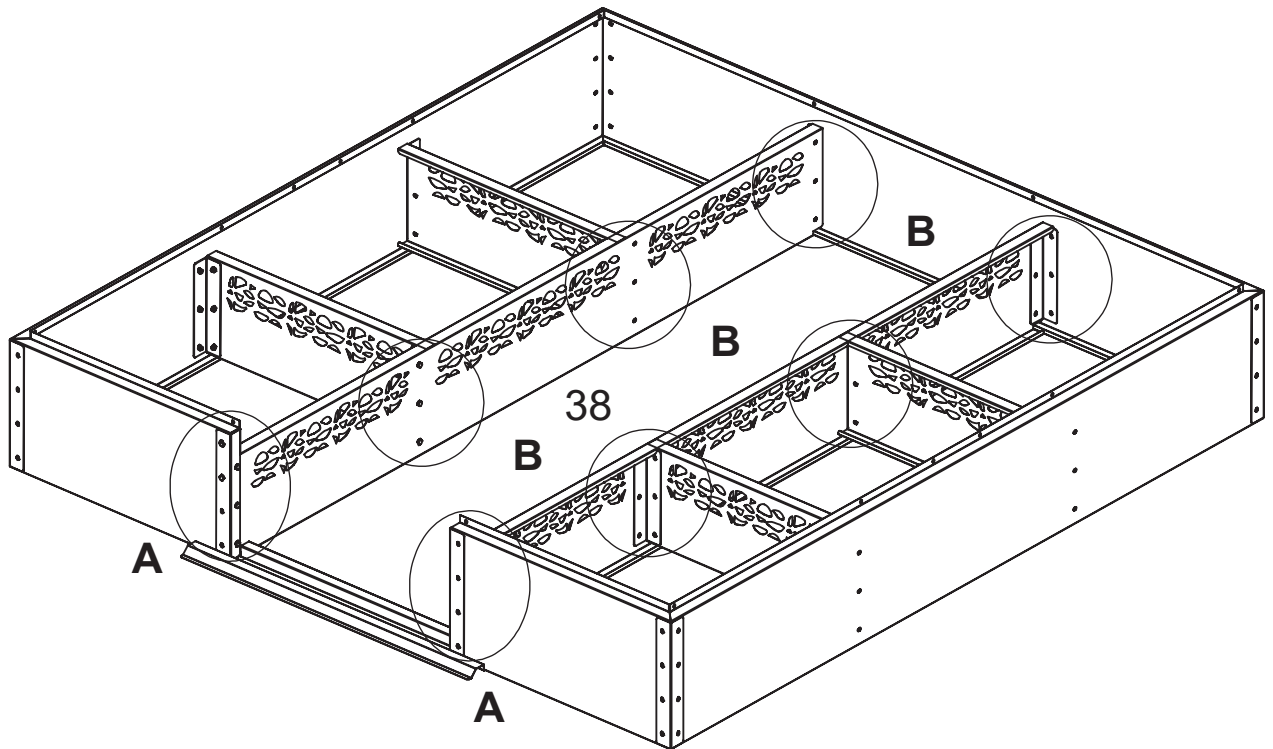
42

SPart A is inside, please note the 51/52 installation direction

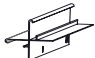


# Foundation assembling

Art.Nr.	Qty.	Picture	Dimension(mm)
38	2PC		
51	24PC		
52	24PC		

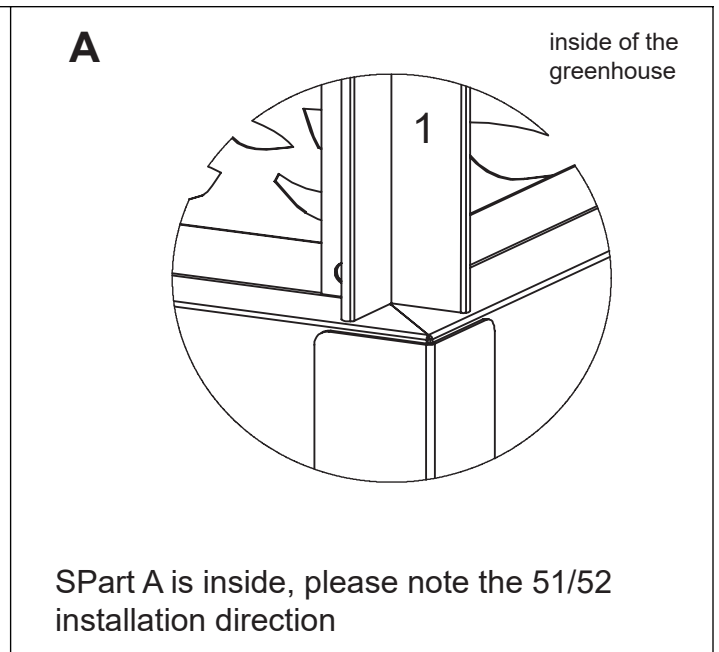
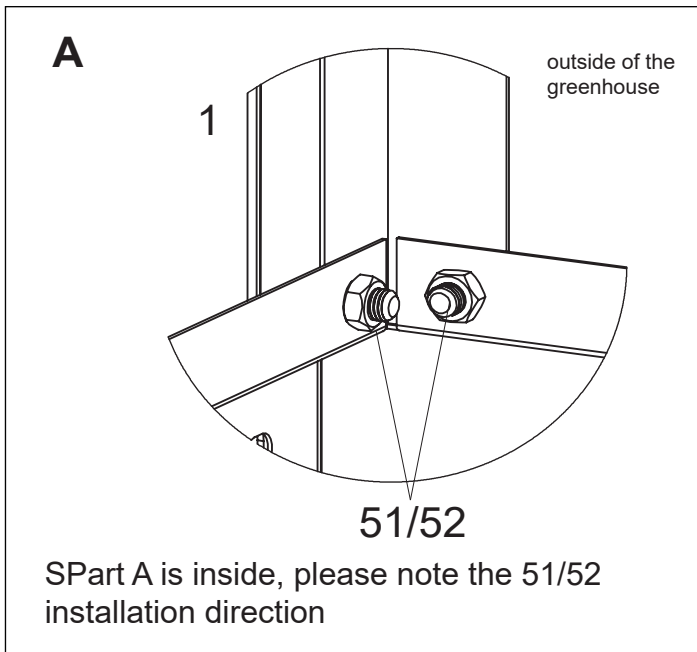
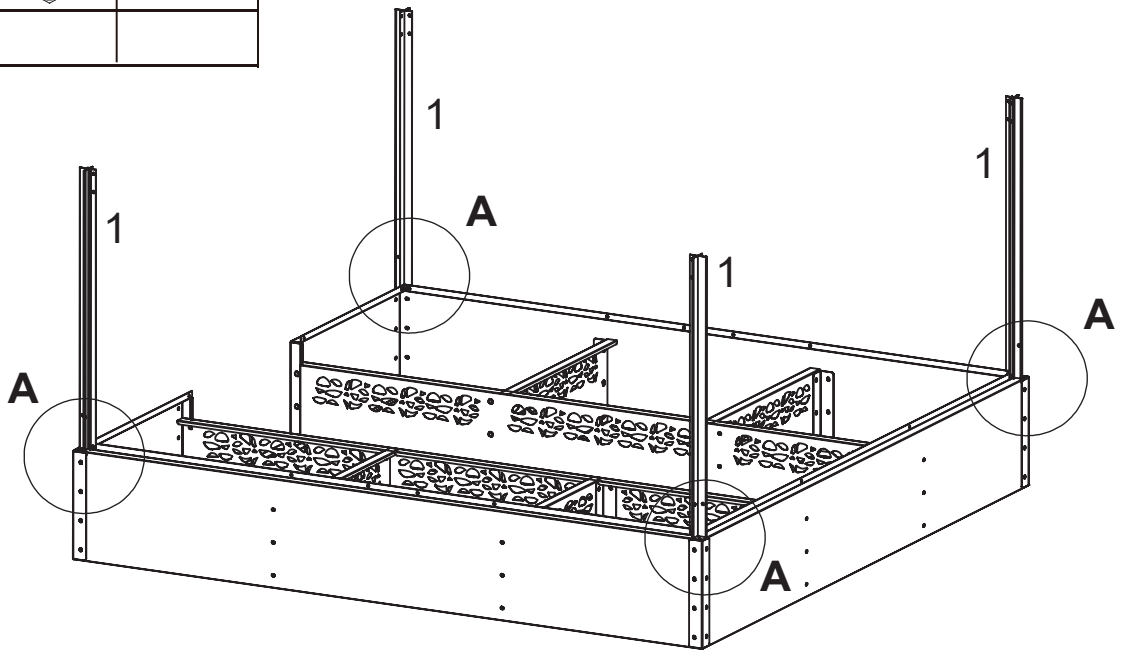
## Installation of foundation partition






# Column assembly

Art.Nr.	Qty.	Picture	Dimension(mm)
38	4PC		770
51	8PC		
52	8PC		

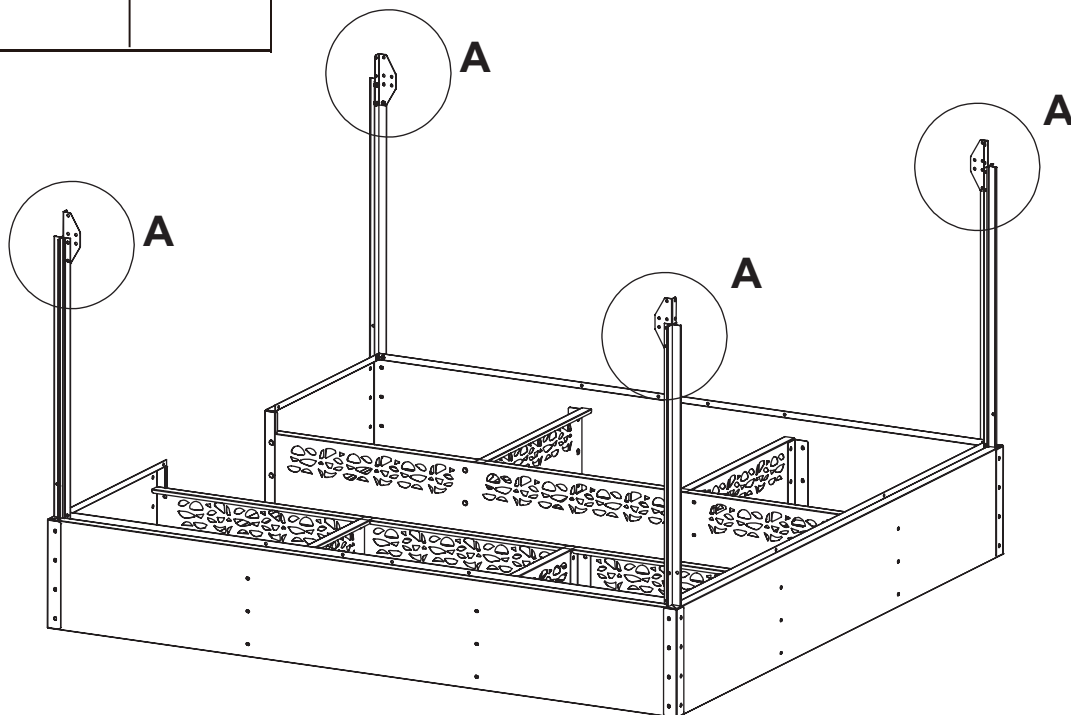
## No. 1 column mount



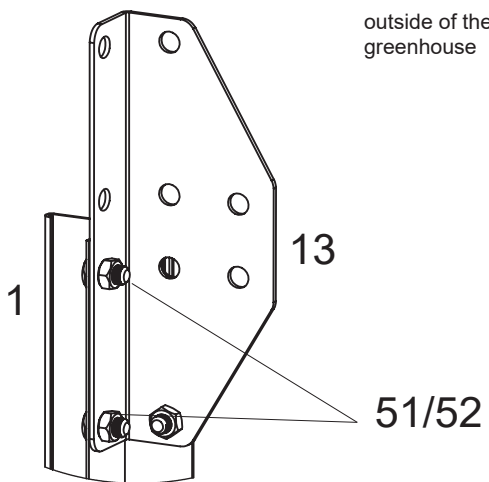
# Column assembly

Art.Nr.	Qty.	Picture	Dimension(mm)
13	4PC		
51	12PC		
52	12PC		

Install fitting 13






**A**

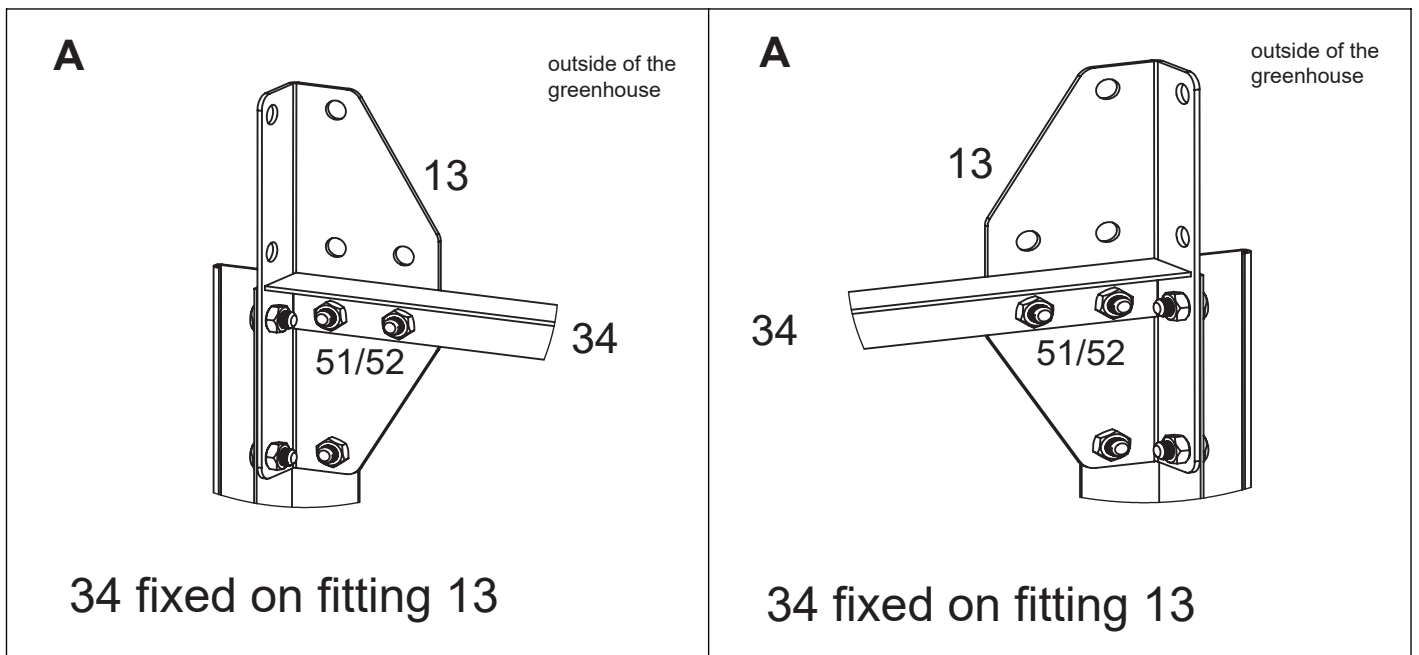
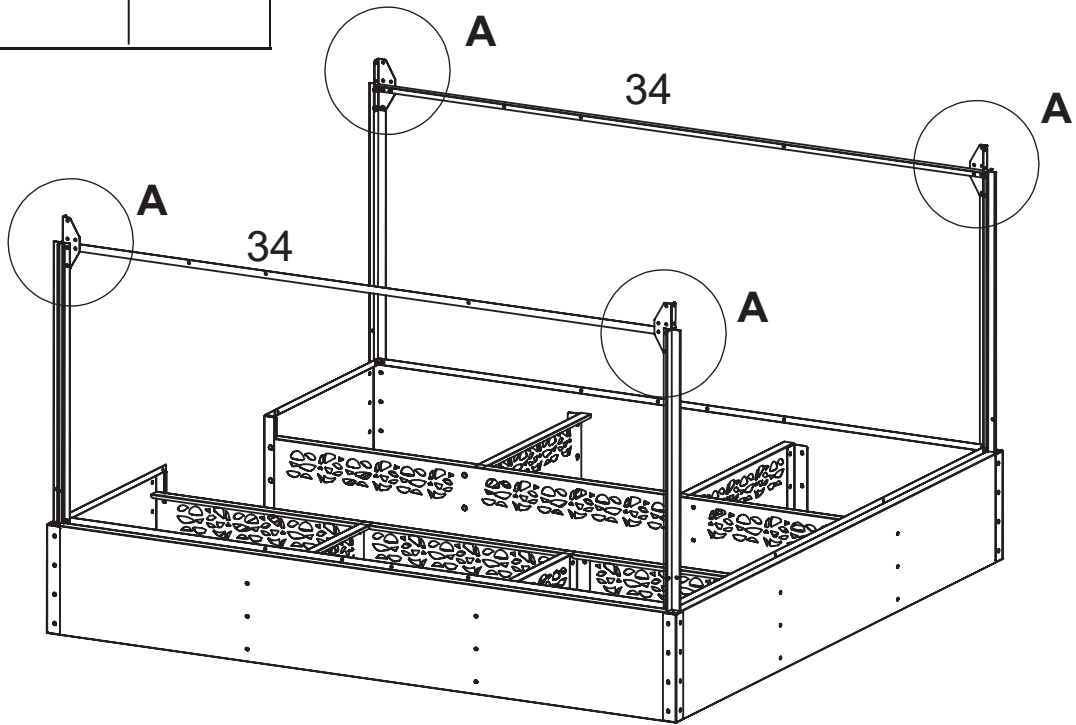


Install fitting No. 13 on fitting No. 1 with 3 screws


# Column assembly

Art.Nr.	Qty.	Picture	Dimension(mm)
34	2PC		1818
51	8PC		
52	8PC		

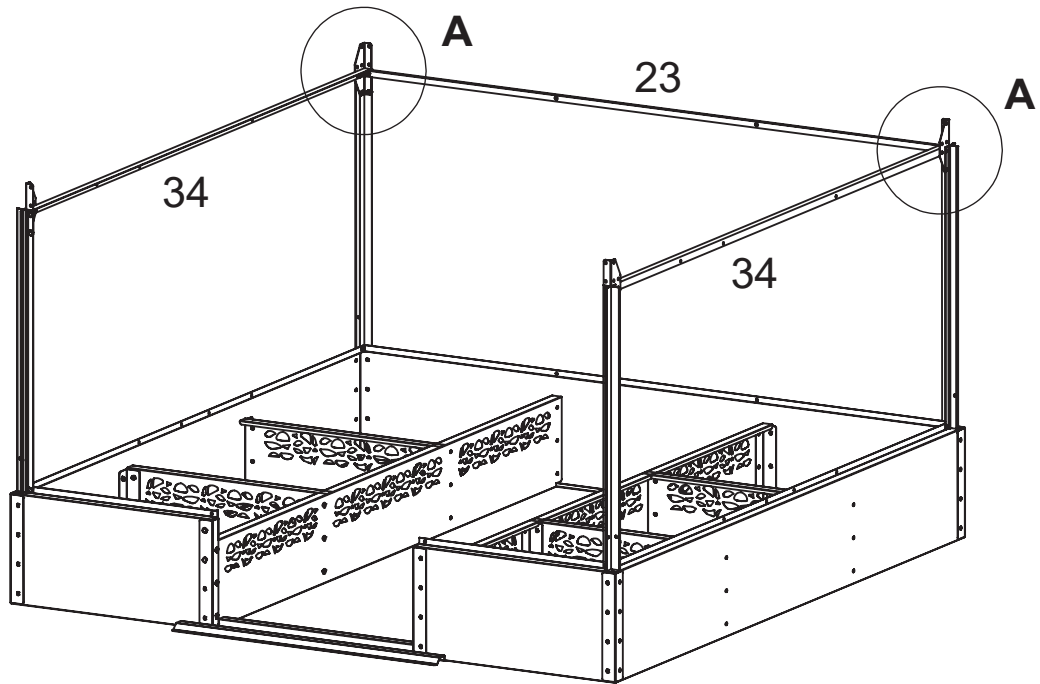
34 fixed on fitting 13

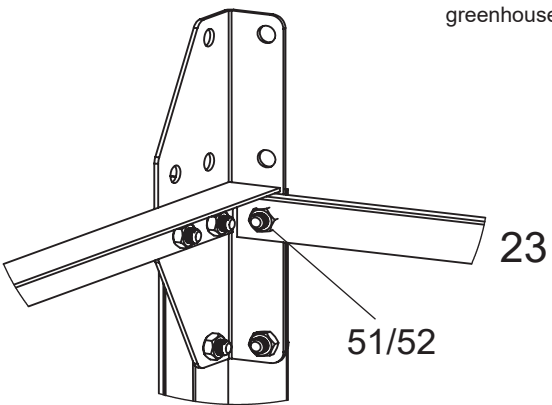
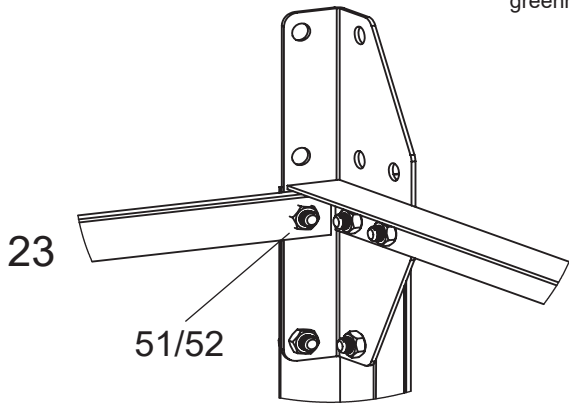


# Column assembly

Art.Nr.	Qty.	Picture	Dimension(mm)
23	1PC		1818





## 23 fitting installation



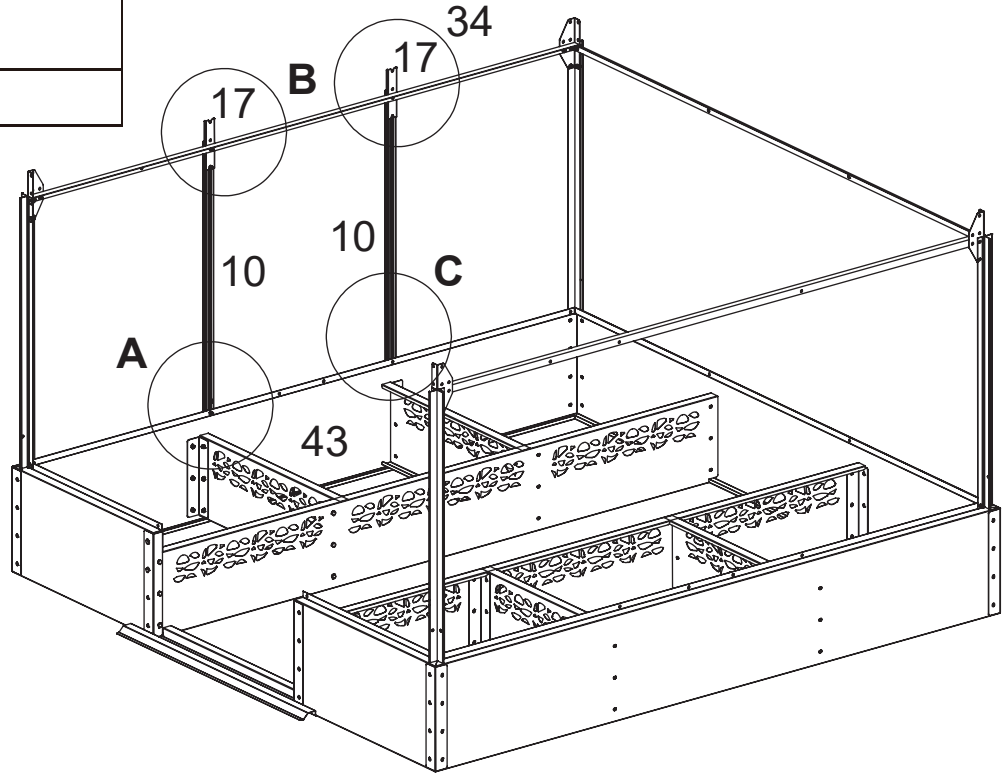
<p><b>A</b></p> <p>outside of the greenhouse</p>  <p>23</p> <p>51/52</p> <p>Fitting No. 23 is fixed on fitting No. 13</p>	<p><b>A</b></p> <p>outside of the greenhouse</p>  <p>23</p> <p>51/52</p> <p>Fitting No. 23 is fixed on fitting No. 13</p>
--	---



# Column assembly

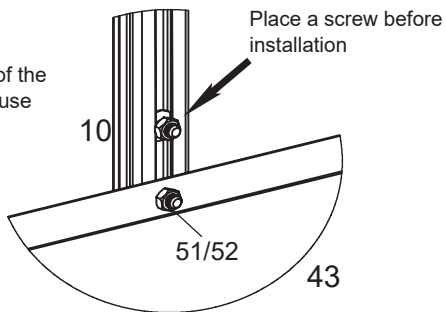
Art.Nr.	Qty.	Picture	Dimension(mm)
10	2PC		770
17	2PC		
51	8PC		
52	8PC		

## Fitting No. 10 installation



**A**

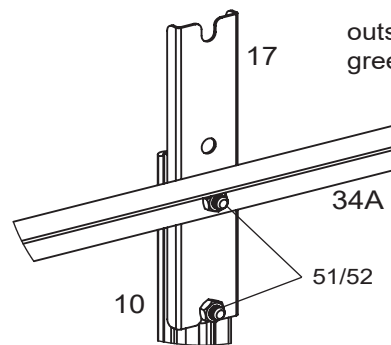
outside of the greenhouse



No. 10 is first installed on foundation No. 43

**B**

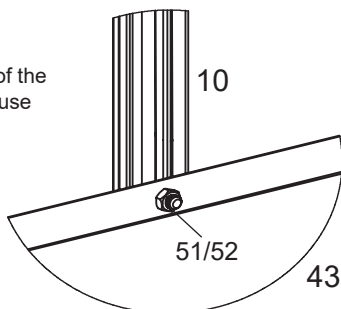
outside of the greenhouse



No. 10/17 together installed on 34


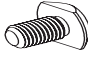

**C**

outside of the greenhouse

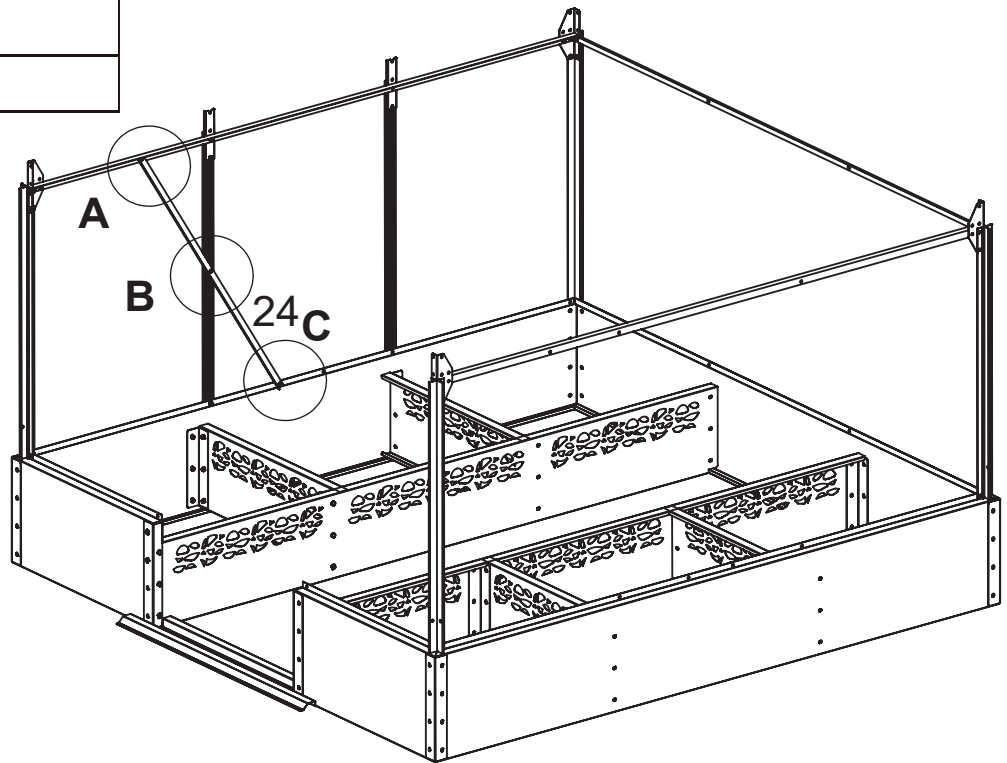


No. 10 is first installed on foundation No. 43

# Column assembly

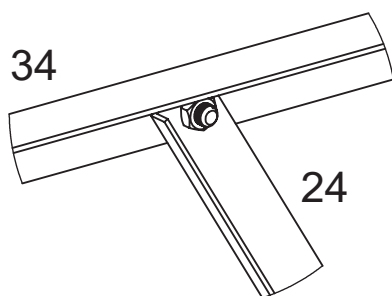
Art.Nr.	Qty.	Picture	Dimension(mm)
24	2PC		895
51	8PC		
52	8PC		

## Fitting No. 24 installation



**A**

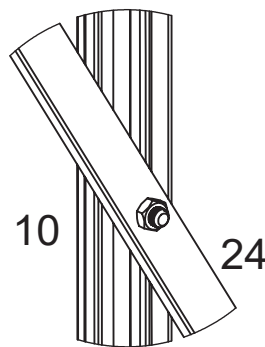
outside of the greenhouse



Fitting No. 24 is installed on 34

**B**

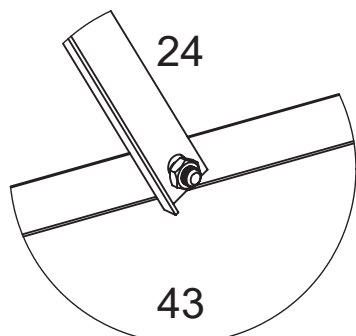
outside of the greenhouse



Fitting No. 24 is installed on 10


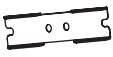
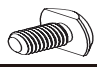

**C**

outside of the greenhouse

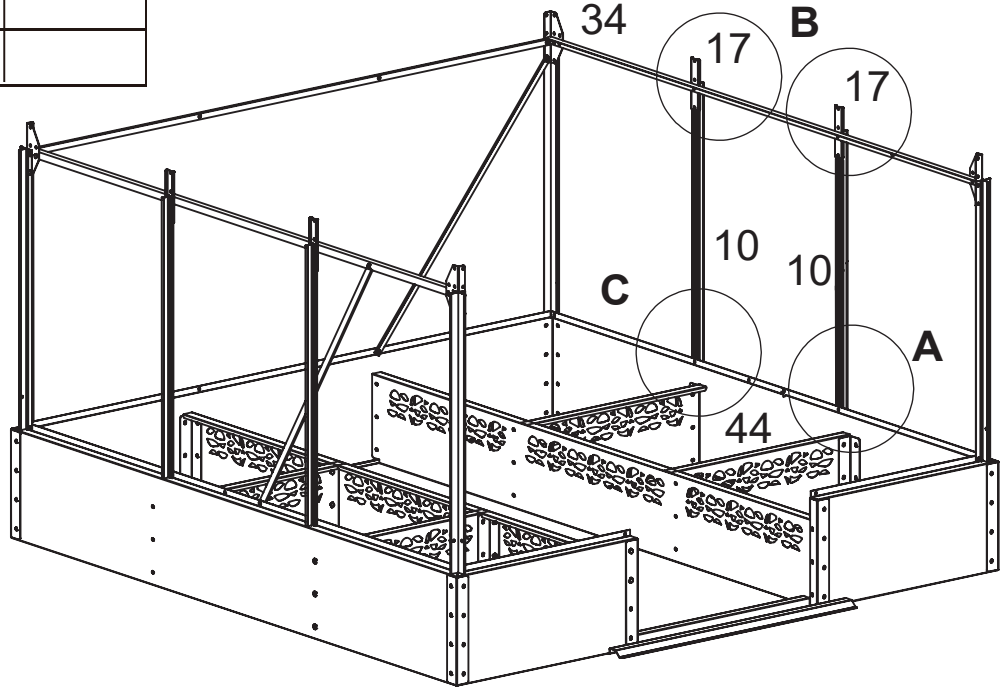


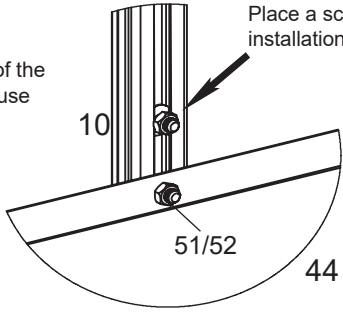
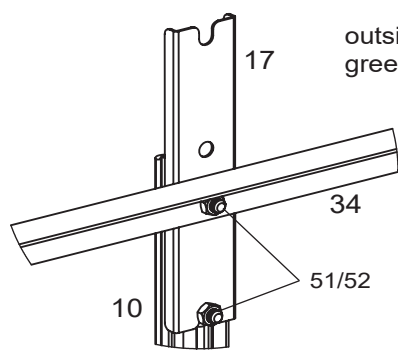
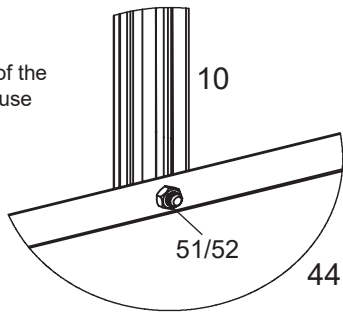
Fitting No. 24 is installed on 43

# Column assembly




Art.Nr.	Qty.	Picture	Dimension(mm)
10	2PC		770
17	2PC		
51	8PC		
52	8PC		

## Fitting No. 10 installation

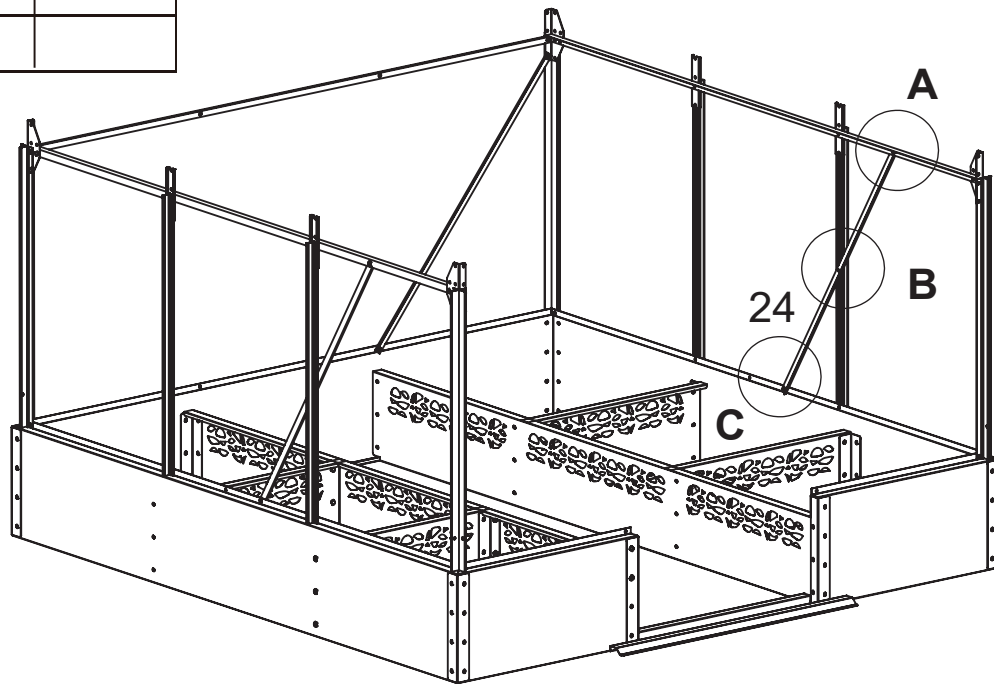


<p><b>A</b></p> <p>outside of the greenhouse</p>  <p>No. 10 is first installed on foundation No. 44</p>	<p><b>B</b></p> <p>outside of the greenhouse</p>  <p>No. 10/17 together installed on 34</p>
<p><b>C</b></p> <p>outside of the greenhouse</p>  <p>No. 10 is first installed on foundation No. 44</p>	

# Column assembly

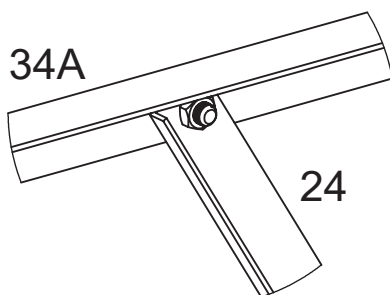
Art.Nr.	Qty.	Picture	Dimension(mm)
24	2PC		895
51	8PC		
52	8PC		

## Fitting No. 24 installation



**A**

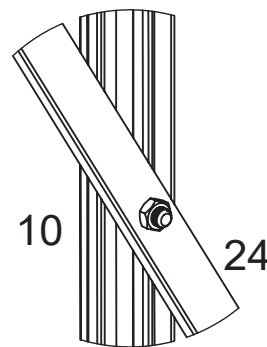
outside of the greenhouse



Fitting No. 24 is installed on 34A

**B**

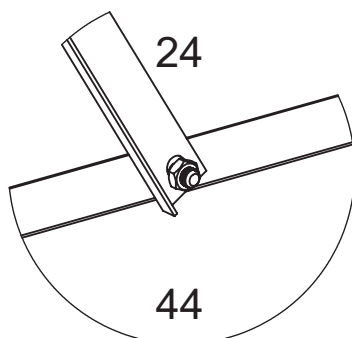
outside of the greenhouse



Fitting No. 24 is installed on 10

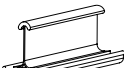

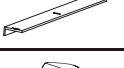
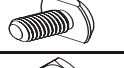

**C**

outside of the greenhouse

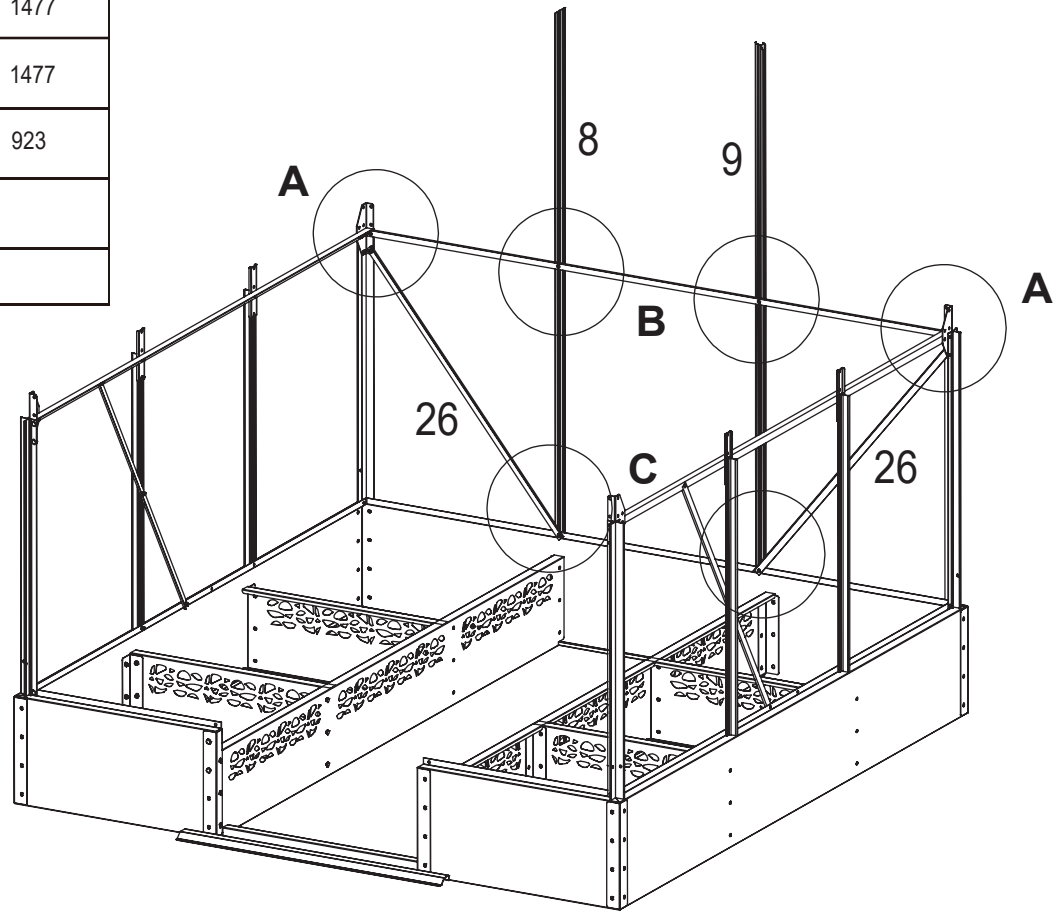


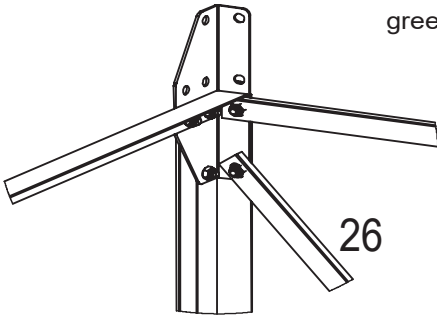
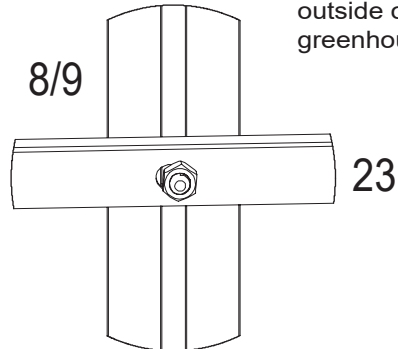
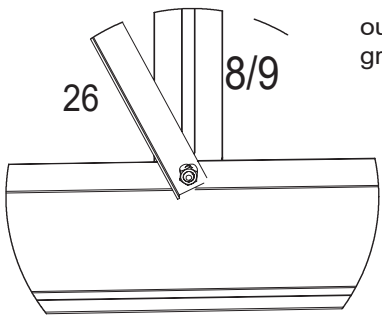
Fitting No. 24 is installed on 44

# Column assembly

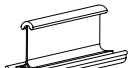

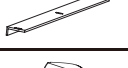
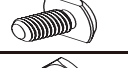

Art.Nr.	Qty.	Picture	Dimension(mm)
8	1PC		1477
9	1PC		1477
26	2PC		923
51	6PC		
52	6PC		

## Installation No. 8/9

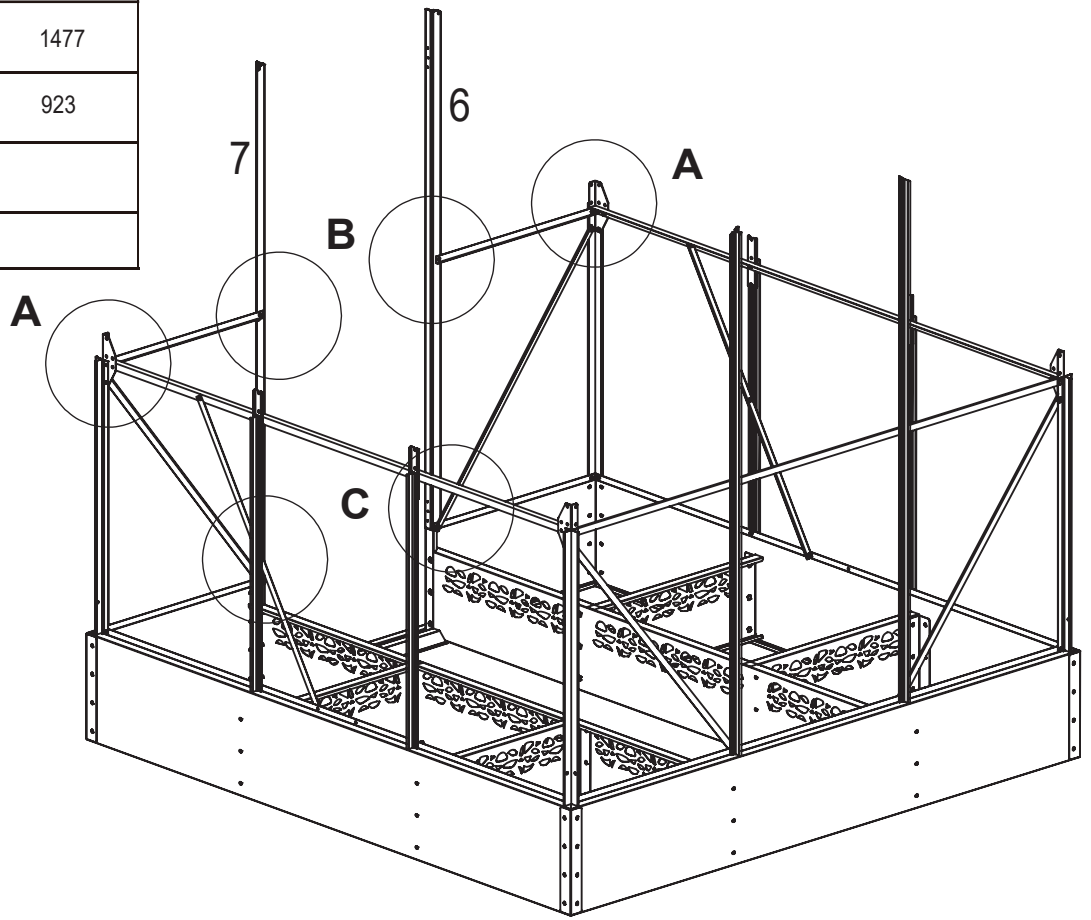


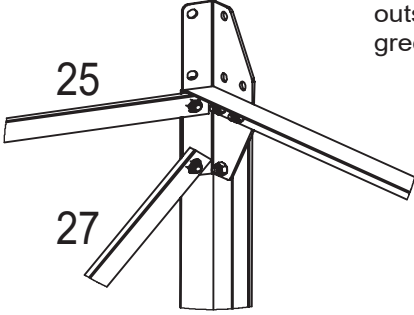
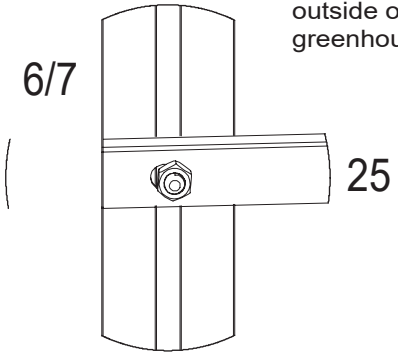
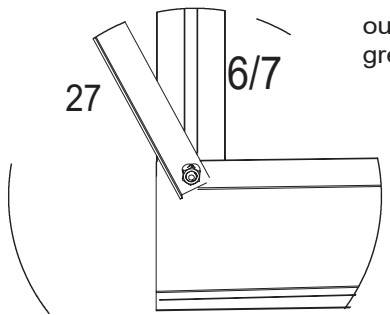
<p><b>A</b></p>  <p>outside of the greenhouse</p> <p>No. 26 is attached to fitting No. 13</p>	<p><b>B</b></p>  <p>outside of the greenhouse</p> <p>8/9 is attached to fitting 23</p>
<p><b>C</b></p>  <p>outside of the greenhouse</p> <p>8/9/26 are attached together to fitting 36</p>	

# Column assembly

Art.Nr.	Qty.	Picture	Dimension(mm)
8	1PC		1477
9	1PC		1477
26	2PC		923
51	6PC		
52	6PC		

## Installation No. 6/7

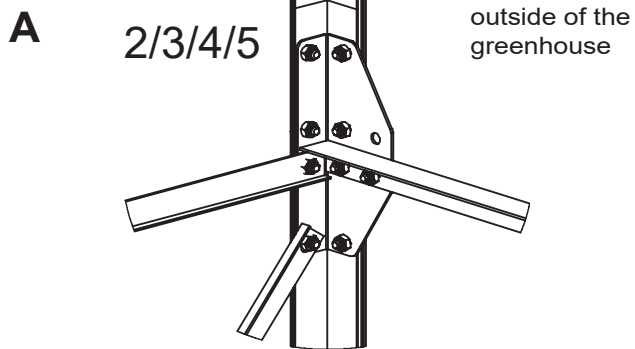
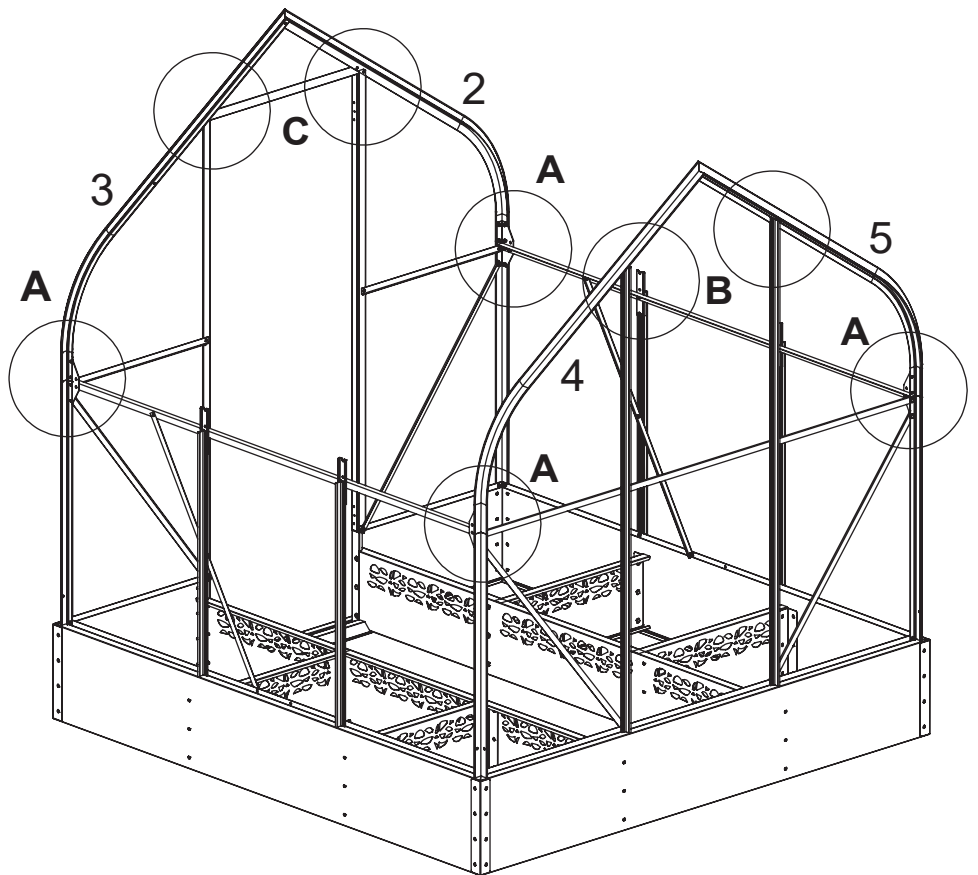


<p><b>A</b></p>  <p>outside of the greenhouse</p> <p>No. 27 is attached to fitting No. 13</p>	<p><b>B</b></p>  <p>outside of the greenhouse</p> <p>6/7 is attached to fitting 25</p>
<p><b>C</b></p>  <p>outside of the greenhouse</p> <p>6/7/27 are attached together to fitting 37</p>	

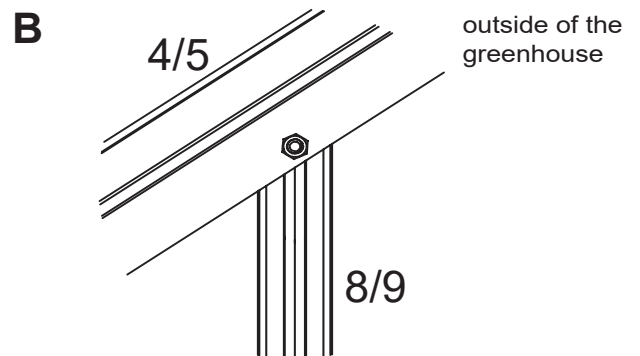
# Column assembly

Art.Nr.	Qty.	Picture	Dimension(mm)
2	1PC		1395
3	1PC		1395
4	1PC		1395
5	1PC		1395
12	1PC		
51	22PC		
52	22PC		

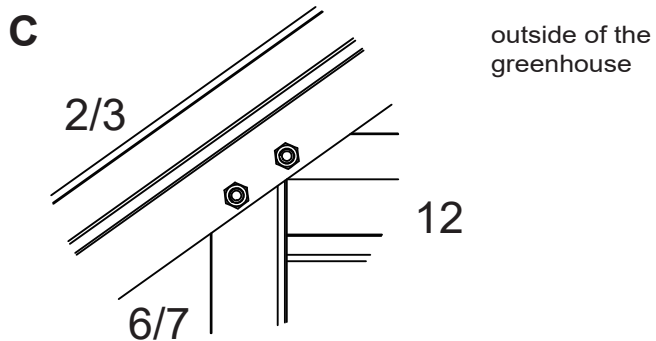
## 2/3/4/5 installation



2/3/4/5 is mounted on fitting 13






No. 4/5 is screwed to No. 8/9

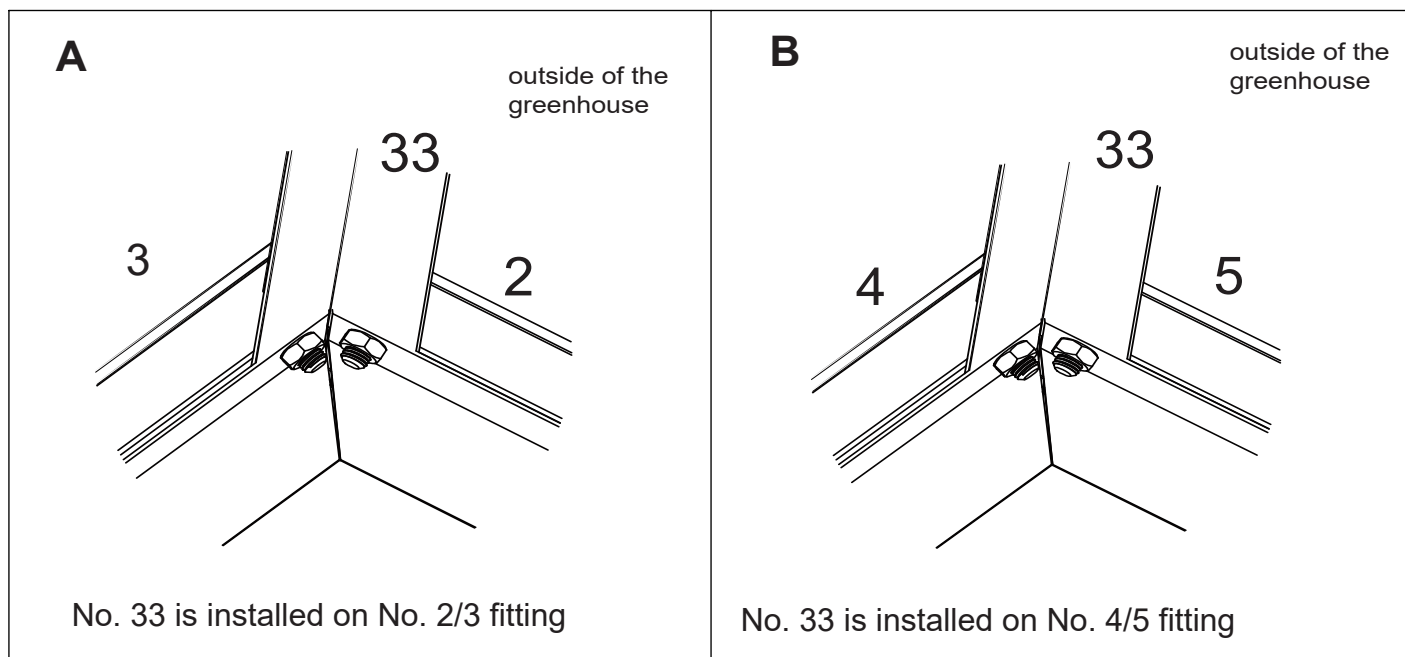
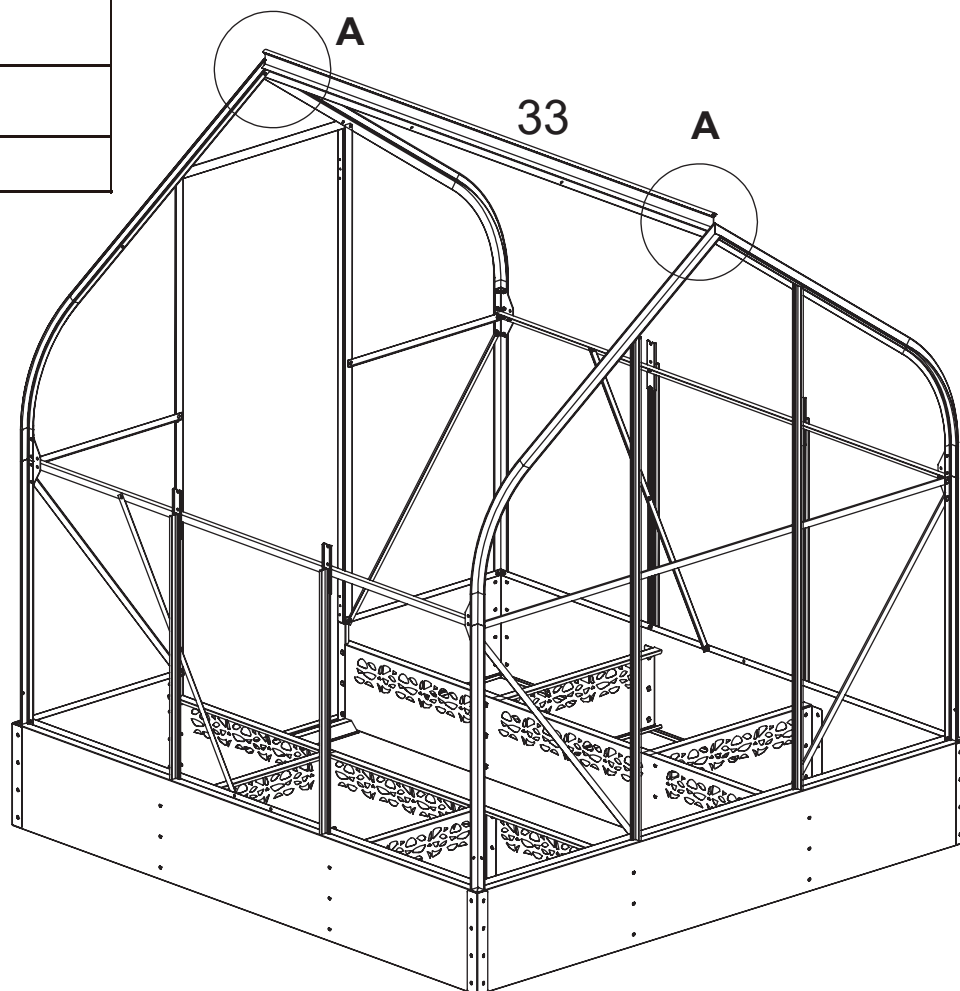


No. 2/3 is screwed to No. 6/7

# Column assembly

Art.Nr.	Qty.	Picture	Dimension(mm)
33	1PC		1818
51	4PC		
52	4PC		

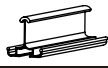


## No. 33 installation

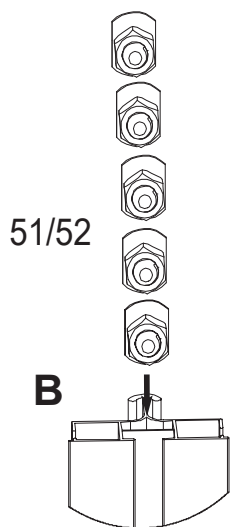
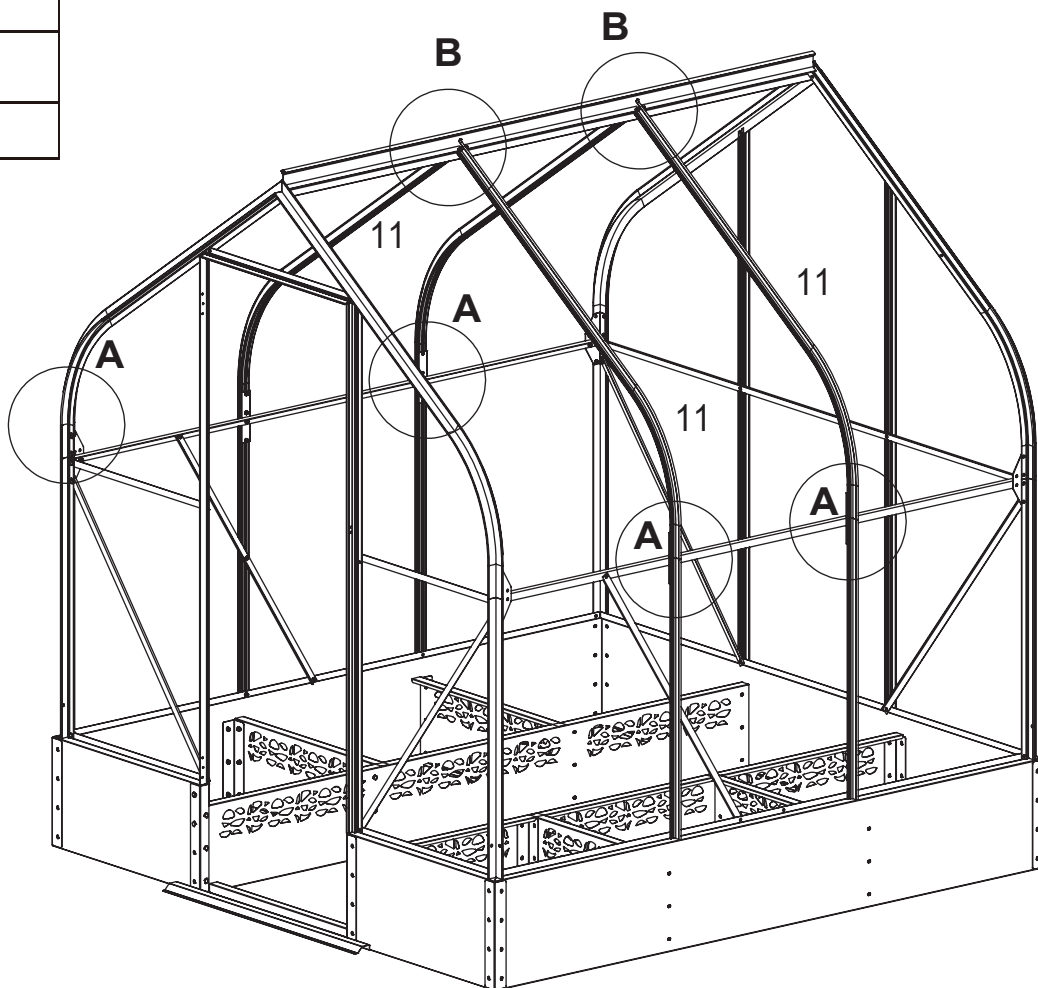




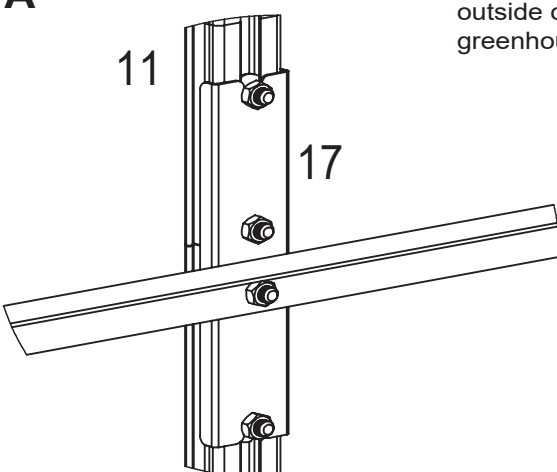
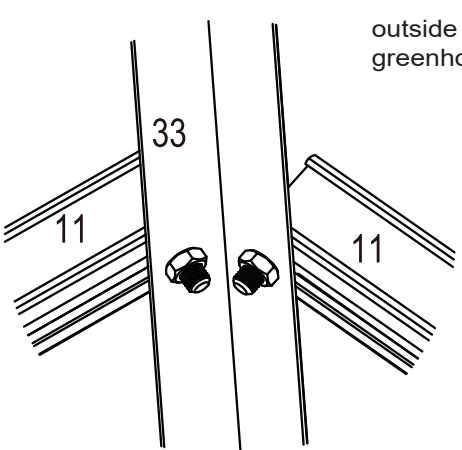
# Column assembly

## Installation No. 11

Art.Nr.	Qty.	Picture	Dimension(mm)
11	4PC		1400
51	16PC		
52	16PC		



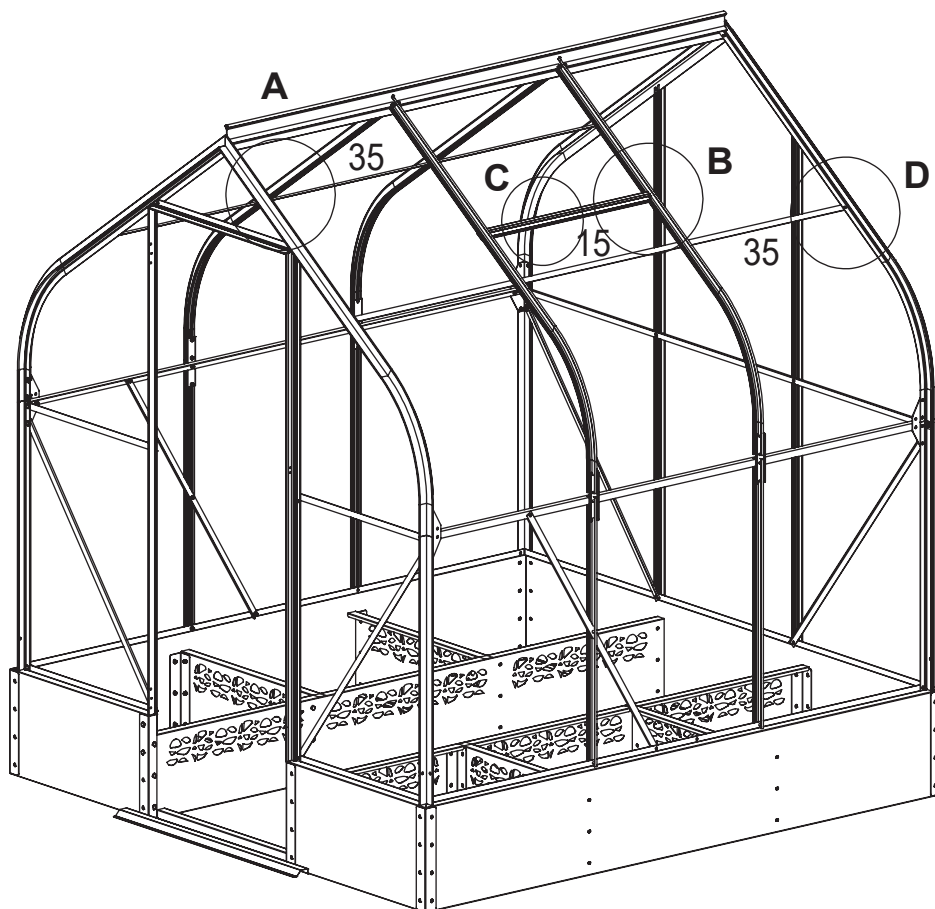
11  
Pre-release screws before  
No. 11 installation

<p><b>A</b></p>  <p>outside of the greenhouse</p> <p>Number 11 is fixed to number 17</p>	<p><b>B</b></p>  <p>outside of the greenhouse</p> <p>Number 11 is fixed to number 33</p>
---	--

# Column assembly














## Installation No. 6/7

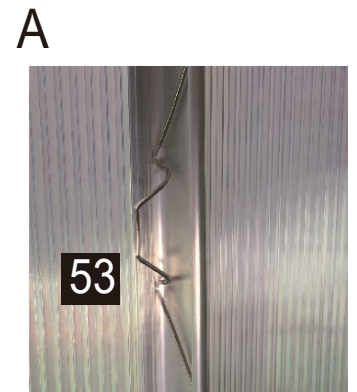
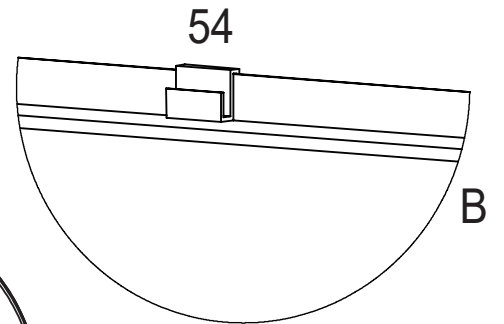
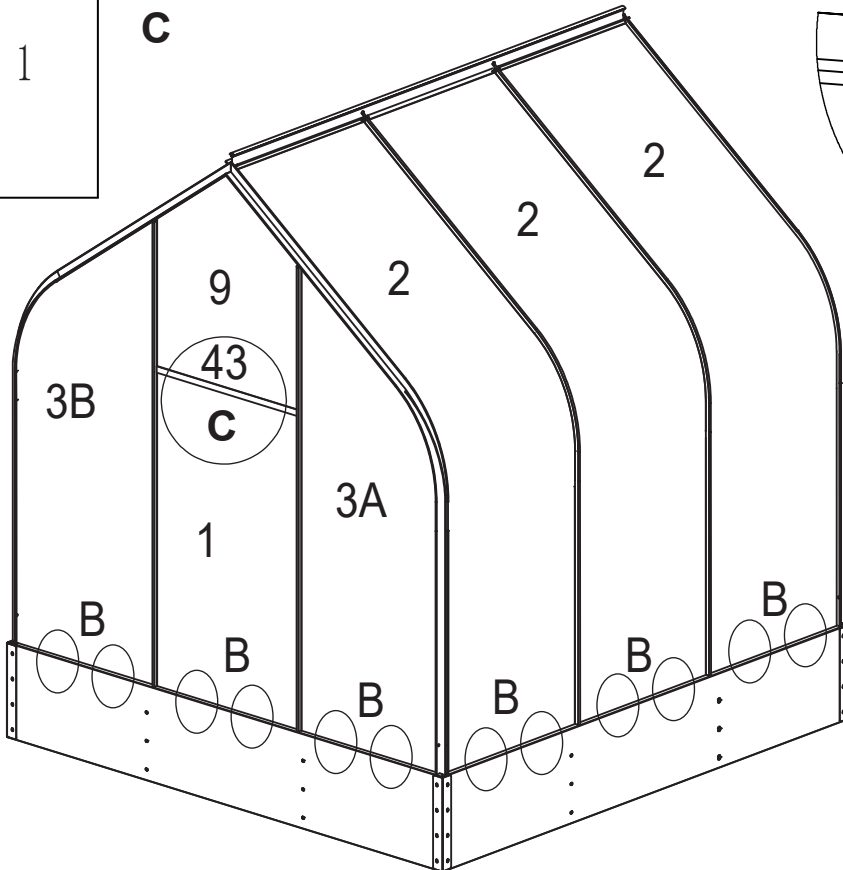
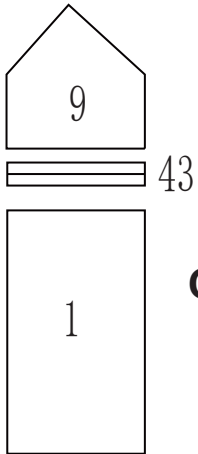
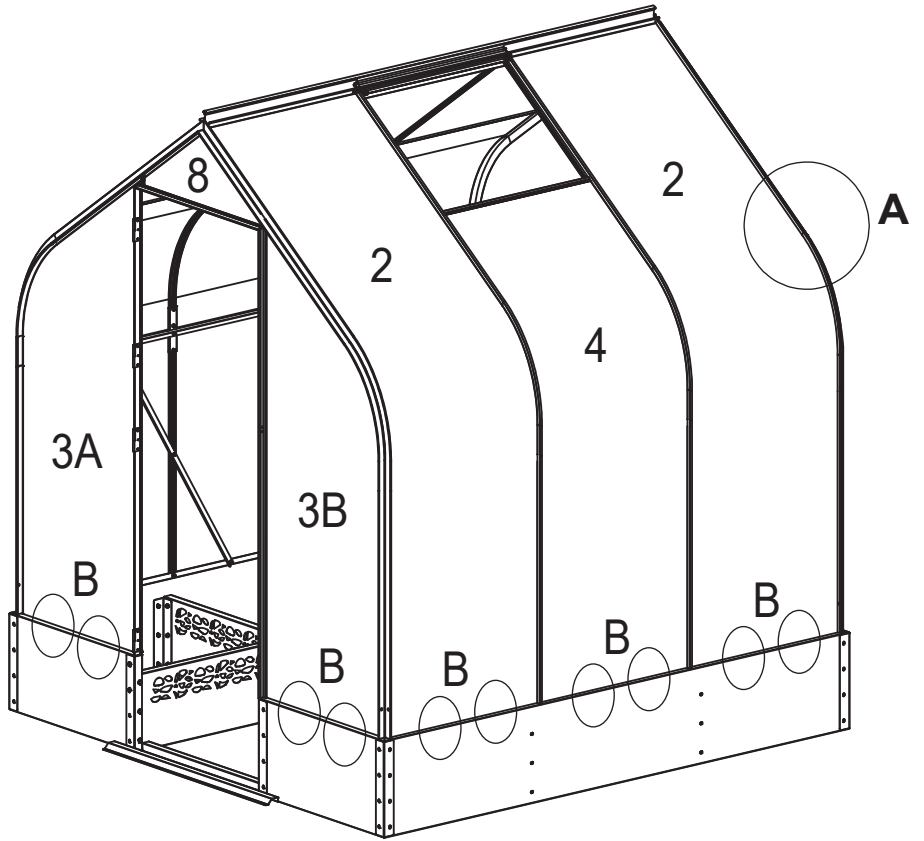
Art.Nr.	Qty.	Picture	Dimension(mm)
15	1PC		635
18	2PC		
35	2PC		1820
46	4PC		
51	10PC		
52	10PC		



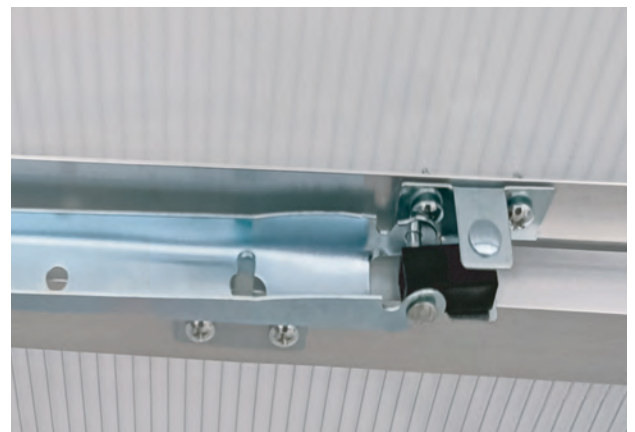
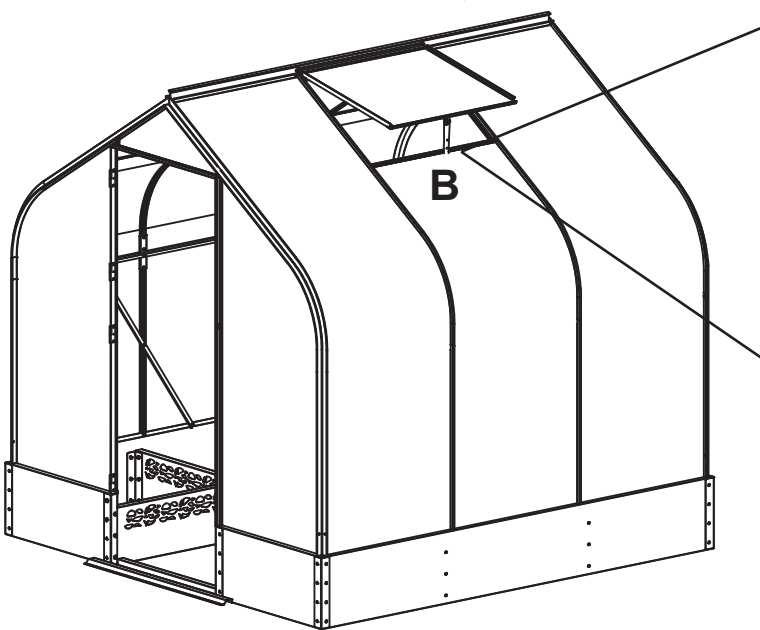
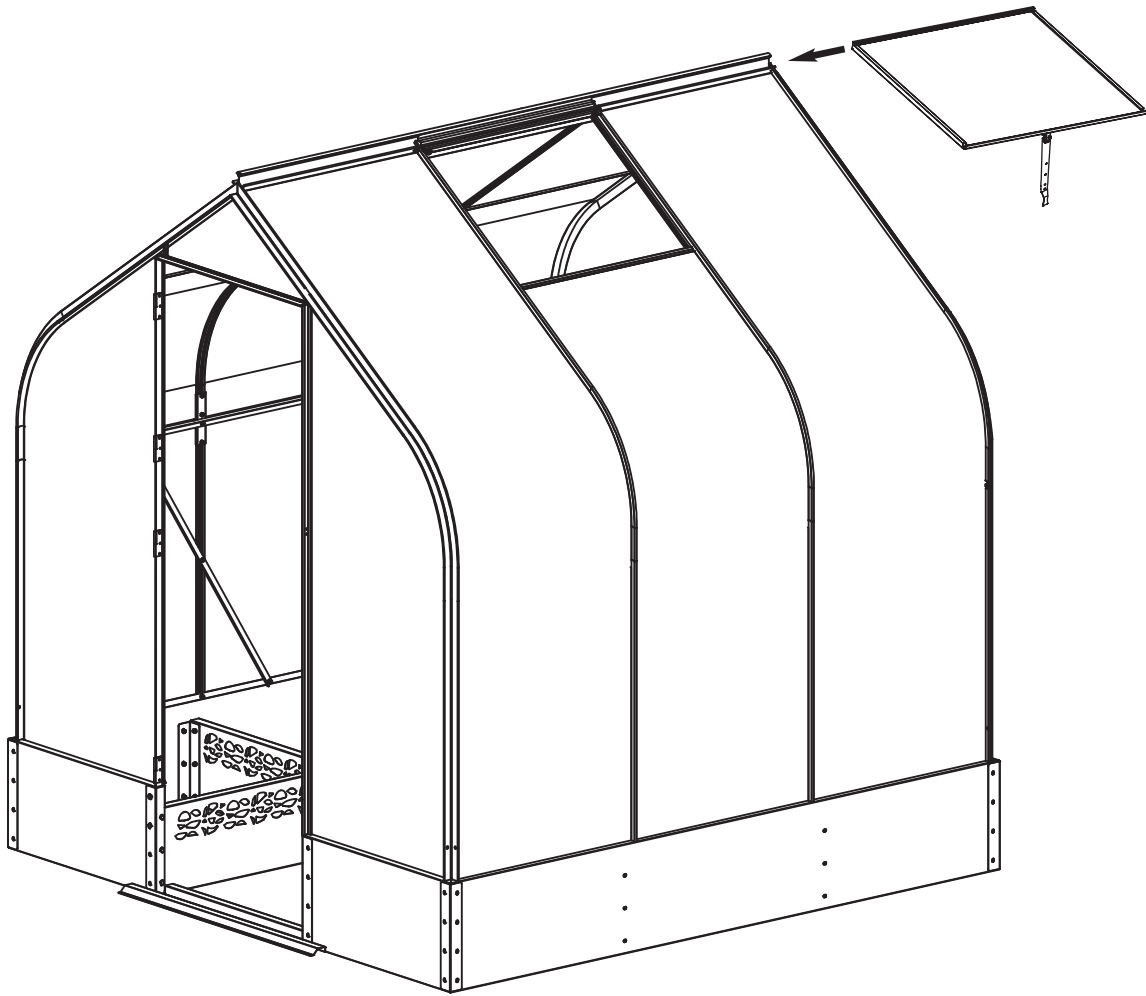
<p><b>A</b></p> <p>outside of the greenhouse</p>	<p><b>B</b></p> <p>outside of the greenhouse</p>
<p><b>C</b></p> <p>outside of the greenhouse</p>	<p><b>D</b></p> <p>outside of the greenhouse</p> <p>2/3/4/5</p>

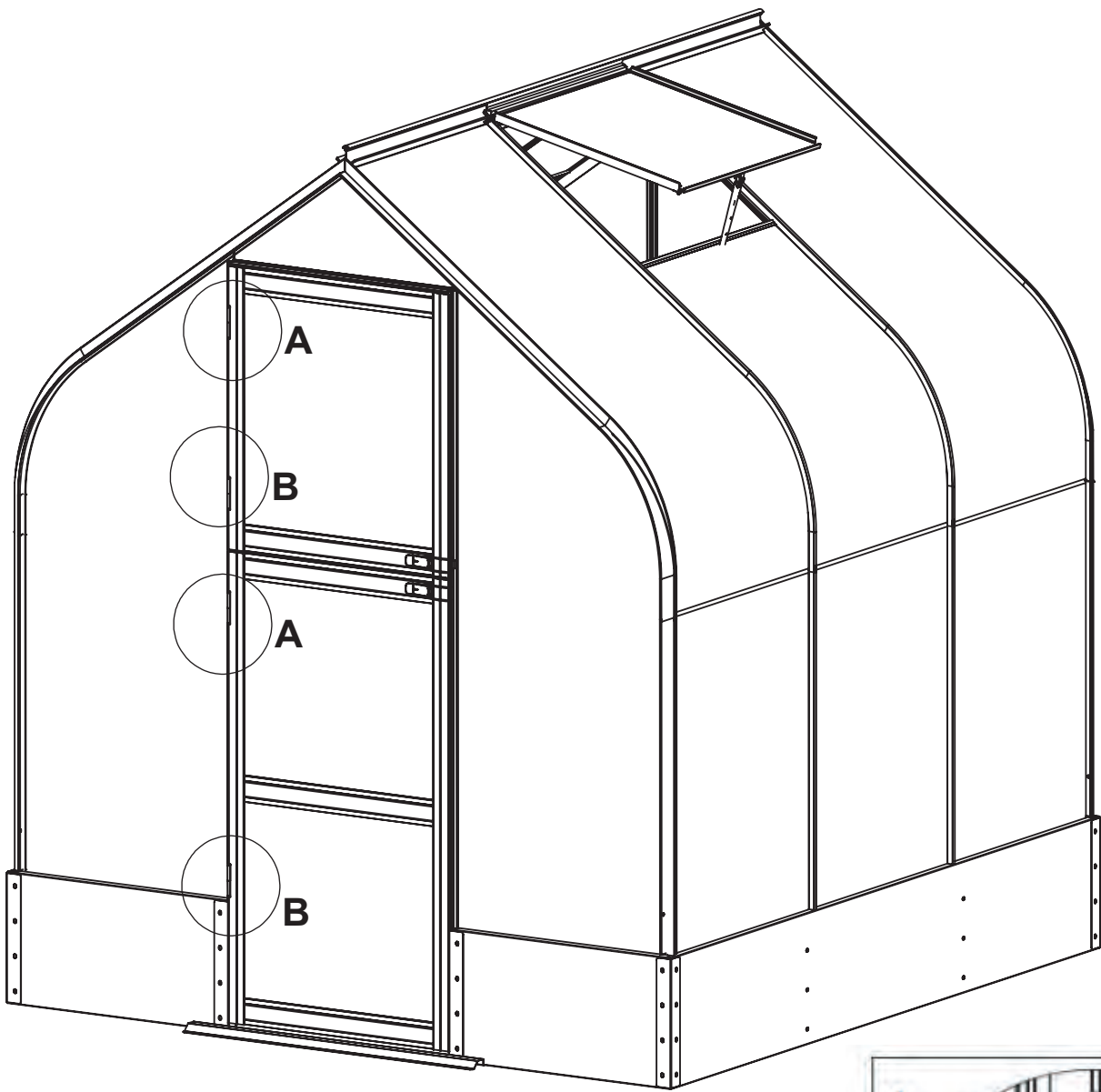
PC panels

Art.Nr.	Qty.	Picture	Dimension(mm)	
1	1PC		605x1215	4mm panel for the roof
2	5PC		2127x605	4mm panel for the roof
3A	2PC		1475x605	4mm panel for the roof
3B	2PC		1475x605	4mm panel for the roof
4	1PC		1590x605	4mm panel for the roof
5	1PC		595x592	4mm panel for the roof
6	1PC		550x550	4mm panel for the roof
7	2PC		550x470	4mm panel for the roof
8	1PC		570x235	4mm panel for the roof
9	1PC		605x475	4mm panel for the roof
43	1PC			
53	162PC			
54	22PC			

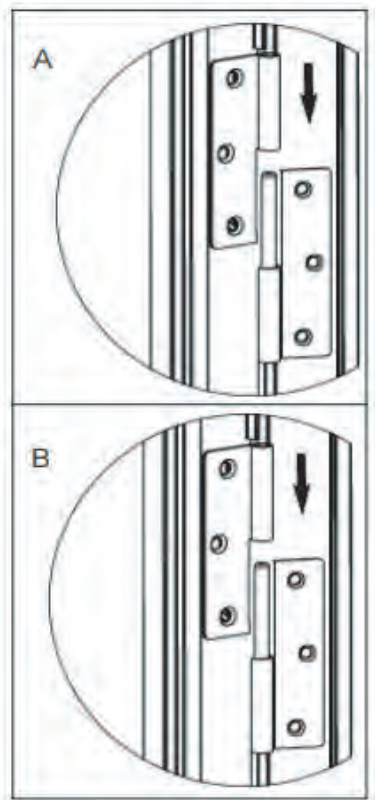


# Install windows





Load the hinge door



## Maintenance :

Do not let plants growing up to the roof to get too close to the roof structures. Too much weight on the roof can damage greenhouse body, especially if it is windy or raining heavily. Clear the leaves from the roof, they can weaken the light transmission of the sheets. Keep the roof of the greenhouse clear of ice and snow. If necessary, place a support post inside the greenhouse in winter to support the roof. In the event of a storm, make sure that the greenhouse is securely fixed into the ground and that the roof hatch and door remain closed. If necessary, fix the greenhouse to nearby trees with a strong rope or wire.

Make sure regularly that the screws on the frame are remained tight. Avoid hitting the wall and polycarbonate panels with sharp objects. If there is a cut or a hole in the panel, you can fix it with glue or transparent tape.

Keep the polycarbonate panels clean so that light can pass through them well. Generally, polycarbonate panels can be replaced every 5-10 years, if you notice their light transmission ability weakens.

You can make a small mark on the polycarbonate panels showing which side is facing out, so that you recognize the UV-protected side in case the panel is needed to put back in its place after a storm.

You can prevent dirt and moisture going inside the channels of the roof panels by taping the top and bottom ends of the panel.