

FERM®

POWER SINCE 1965



TSM1036

EN	Original instructions	05	HU	Eredeti használati utasítás fordítása	82
DE	Übersetzung der Originalbetriebsanleitung	13	CS	Překlad původního návodu k používání	90
NL	Vertaling van de oorspronkelijke gebruiksaanwijzing	22	SK	Prevod izvirnih navodil	99
FR	Traduction de la notice originale	31	PL	Tłumaczenie instrukcji oryginalnej	107
ES	Traducción del manual original	40	LT	Originalios instrukcijos vertimas	116
IT	Traduzione delle istruzioni originali	49	LV	Instrukciju tulkojums no oriģinālvalodas	124
SV	Översättning av bruksanvisning i original	57			
FI	Alkuperäisten ohjeiden käännös	65			
DA	Oversættelse af den originale brugsanvisning	73			

Fig. A

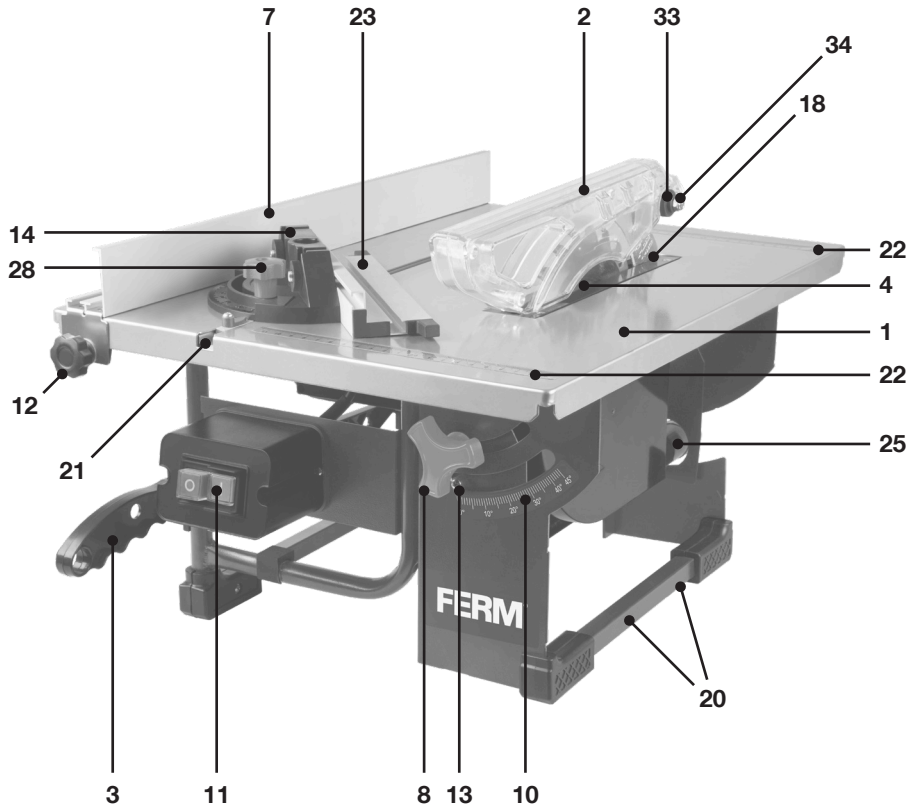


Fig. B

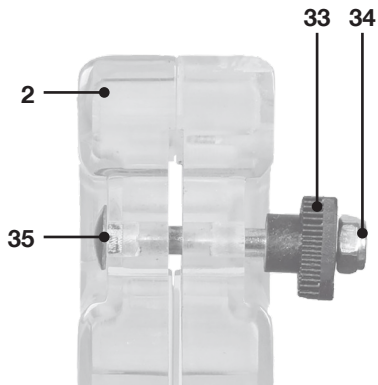
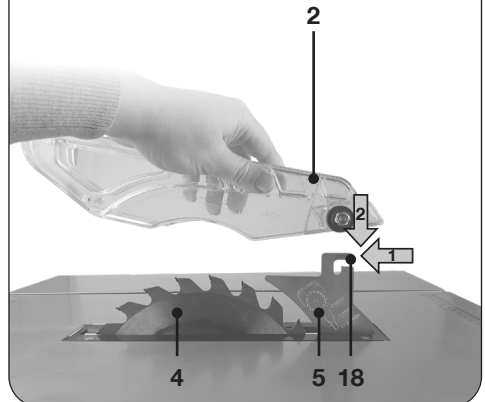


Fig. C



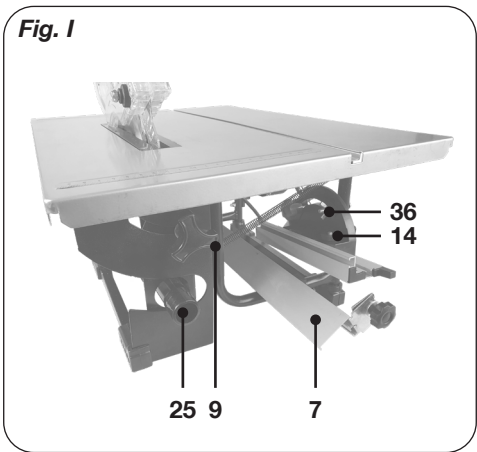
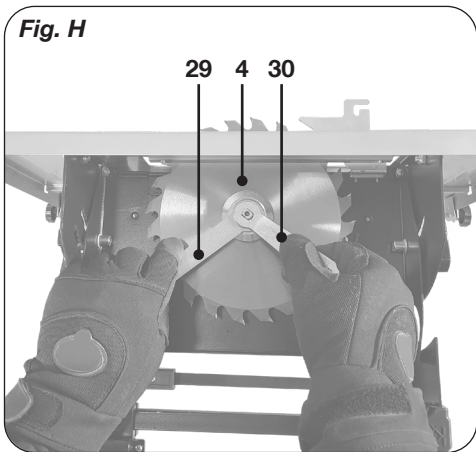
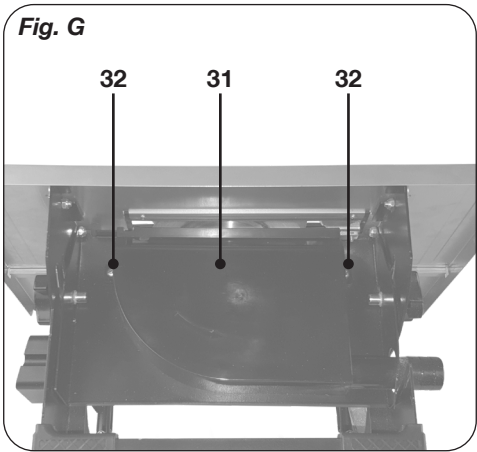
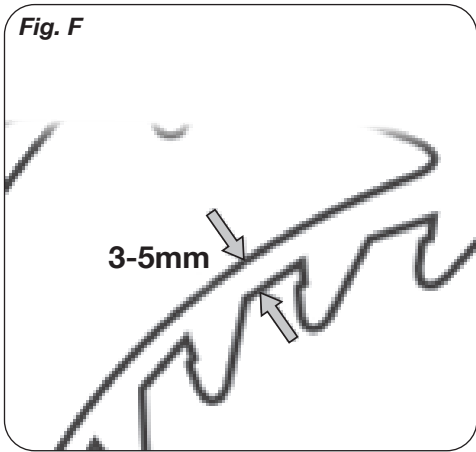
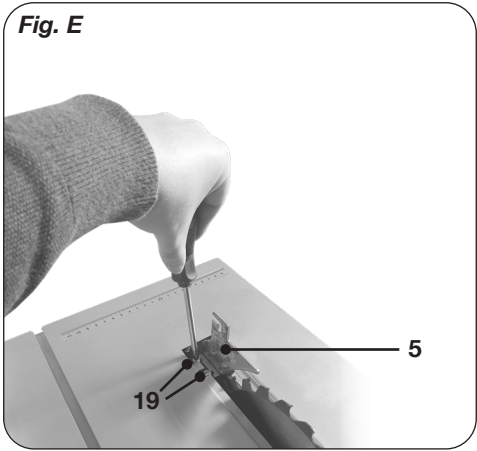
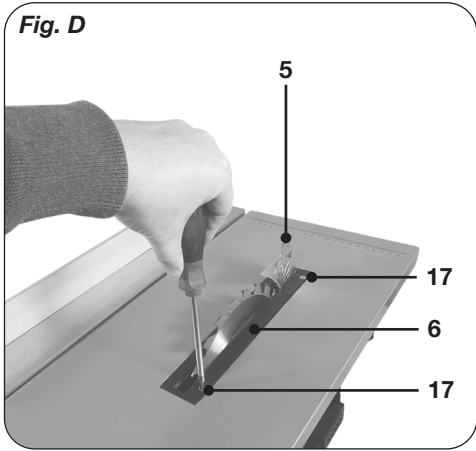


Fig. J

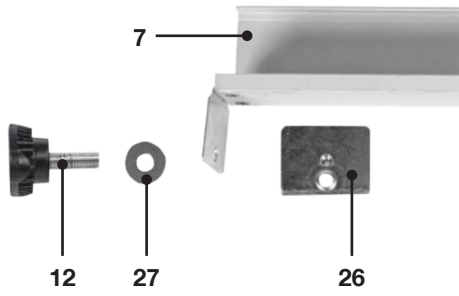


Fig. K

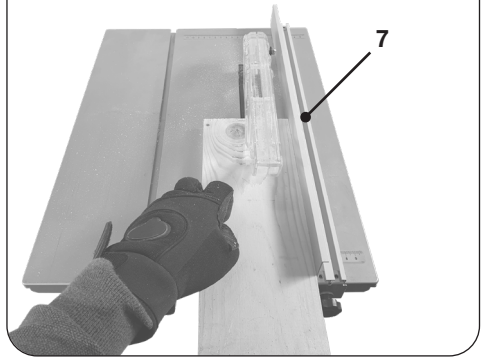


Fig. L



TABLE SAW TSM1036

Thank you for buying this Ferm product. By doing so you now have an excellent product, delivered by one of Europe's leading suppliers. All products delivered to you by Ferm are manufactured according to the highest standards of performance and safety. As part of our philosophy we also provide an excellent customer service, backed by our comprehensive Warranty. We hope you will enjoy using this product for many years to come.

1. SAFETY INSTRUCTIONS



Read the enclosed safety warnings, the additional safety warnings and the instructions. Failure to follow the safety warnings and the instructions may result in electric shock, fire and/or serious injury. **Save the safety warnings and the instructions for future reference.**

The following symbols are used in the user manual or on the product:



Read the user manual.



Denotes risk of personal injury, loss of life or damage to the tool in case of non-observance of the instructions in this manual.



Risk of electric shock.



Keep bystanders away.



Wear a dust protection.



Wear ear and eye protection.



Keep hands away from the cutting area while the power tool is running. Contact with the saw blade can lead to injuries.



Danger area! Keep hands, fingers or arms away from this area.



Class I machine This appliance is classified as protection class I and must be connected to an earthed mains socket.



The product is in accordance with the applicable safety standards in the European directives.



Take note of the dimensions of the saw blade. The hole diameter must fit the tool spindle without play. If it is necessary to use reducers, ensure that the dimensions of the reducer are suitable for the base blade thickness and the saw blade hole diameter, as well as the tool spindle diameter. Wherever possible, use the reducers provided with the saw blade. The saw blade diameter must match the information specified on the symbol.

SPECIFIC SAFETY INSTRUCTIONS

ATTENTION! When using electric tools to protect against electric shock, injury and fire the following basic safety measures must be observed. Make sure to read all of these instructions before you use this power tool, keep the safety booklet and preserve it well for later reference.

1. Always keep your workplace clean and tidy.
 - An untidy workplace can lead to unwanted accidents.
2. Consider environmental influences.
 - Do not expose the power tool to rain.
 - Do not use the power tool in a damp or wet environment.
 - Make sure that your working space has sufficient lighting.
 - Do not use the power tool in areas where there is a fire or explosive hazard.
3. To protect yourself from an electric shock.
 - Avoid body contact with grounded parts (e.g. pipes, radiators, electric stoves, refrigerators etc.).

4. Keep other people away
 - Keep other people away especially children, do not let them touch your power tool or cable and keep the children away from your working area.
5. Store the unused power tools safely.
 - Unused power tools should be locked up or stored in a place that is dry and out of reach of children.
6. Do not overload your power tool.
 - You work better and safer in the specified power range.
7. Use the correct power tool.
 - Do not use low-power machines for heavy work
 - Do not use the power tool for purposes that they are not intended for. For example you cannot cut tree limbs or a log of wood using a hand saw.
8. Wear suitable clothing.
 - Do not wear loose clothing or jewelry; they can be caught in the moving parts.
 - When working outdoors non-skid footwear is recommended.
 - For long hair, wear a hairnet.
9. Use protective equipment.
 - Wear protective goggles
 - When doing work that generates dust, use a breathing mask.
10. Connect the vacuum device
 - If connection to the vacuum and catcher are available then you know that these are connected and properly used.
11. Do not use the cable for purposes that it is not intended for.
 - Do not use the cable to the connector to pull it out of the socket. Protect the cable from heat, oil and sharp edges.
12. Secure the power tool.
 - Use clamps or a vice to hold the power tool. It is safer than holding it with your hand.
13. Avoid an abnormal posture.
 - It ensures stability and keeps you balanced at all times.
14. Keep and maintain tools with care.
 - Keep the cutting tools sharp and clean, this ensures that you work better and that it is as safe as possible.
 - Follow the lubricating and tool changing instructions.
 - Check the connection cable of the power tool regularly and let a qualified expert repair any damages.
15. Unplug the power tool from the power outlet.
 - Check the extension cables regularly and replace them if they are damaged.
 - Keep the handles clean, dry and free of grease and oil.
16. Do not leave the key inside the tool.
 - Before switching it on, make sure that keys and setup tools have been cleared
17. Avoid unintentionally switching the power tool on.
 - Verify that while connecting the plug into the socket that the power is off.
18. Use the extension cables while outdoors.
 - When using the power tool outdoors make sure to use the appropriate and approved labeled extension cable.

Additional safety instructions

1. When using the saw blades with hard metal teeth (Carbon tipped) it is advisable to use blades with a negative or slightly positive cutting angle. Do not use any saw blades with deeply cut teeth. They can grip the protective cap.
2. Attention: First carefully assemble all the parts before starting work. Follow the procedure as indicated.
3. If you are not familiar with using such a machine, you would be better to be informed first by a professional, an instructor or by a technician.
4. Always clamp or press the workpiece firmly against the saw guide, before you carry out the process. The use of all possible clamping set-ups is preferable to using your hands.
5. Important: If you are holding the workpiece by hand for the process to be carried out, keep a minimum distance of 100 mm from the saw blade.
6. Always press the workpiece against the bench.
7. Keep the saw blade sharp and check regularly whether it rotates freely without abnormal vibrations. Replace the saw blade if necessary.
8. Allow the machine to rotate freely until it reaches the maximum number of revolutions, before you start the process.
9. Maintain the air inlets at the back and the

bottom of the bench saw machine and electric motor for a longer machine life. Dust piles must be removed.

10. Always lock the different degree set-ups before you start processing.
11. Only buy suitable saw blades with a number of revolutions of at least 6000 revolutions per minute.
12. Only use the correct saw blade. Too small or too big saw blades are extremely dangerous.
13. Regularly inspect the saw blade for any faults. Replace the saw blade if necessary.
14. Grease the new saw blade and clean the flanges before you assemble the new blade. Then assemble the blade in the correct direction and pull the flanges firmly using the central bolt.
15. Only use original flanges. All other types are not suitable.
16. Never work without the protective cap of the saw blade.
17. The moving part of the protective cap must also remain assembled.
18. Never grease the saw blade while it is rotating.
19. Always keep your hands removed from the track of the saw blades.
20. Never pick up the workpiece by grasping with your hands along or behind the saw blade.
21. Ensure that the workpiece never touches the saw blade before the machine has been switched on.
22. Never process metal or stone sorts with this machine.
23. Use support aids in order to support long workpieces.
24. Never use the machine in a dangerous environment, where inflammable gases or fluids are present.
25. Never leave the machine unattended without first disconnecting it from the mains voltage.
26. If you hear abnormal noises, try to trace them or take the machine to a recognized fitter, or repair company.
27. If a part is broken or damaged, replace it or repair it immediately.
28. Never stand in the track of the saw blade but stand to the left or the right of the saw bench.
29. Your hands must likewise be placed next to the track of the saw blade.
30. Always use the push stick instead of your hands to push the wood through the saw.
31. Always place the wood at the front of the saw

- bench and then push it further back.
32. For mitring only the adjustable guide must be used and the fence must be removed.
 33. Never use the fence as a linear measure for cutting off beams.
 34. If the saw blade is locked: first switch off the machine before you attend to the fault.
 35. Avoid workpieces hitting back in your direction by taking the following measures:
 - Always use sharp saw blades.
 - Do not saw too small workpieces.
 - Never release the workpiece before it has been completely pushed through the saw.
 - Always adjust the guide parallel to the saw blade.
 - Never remove the saw protection.
 36. Before you continue sawing, ensure that you are standing firmly and that your hands are in the required position.
 37. Never use thinners to clean the machine. Only use a damp cloth for cleaning.
 38. Do not use saw blades which are damaged or deformed.
 39. Replace table insert when worn.
 40. Only use saw blades specified by the manufacturer that are intended for working with wood or similar materials according to EN847-1.
 41. Take care that the selection of the saw blade depends on the material to be cut.
 42. Connect table saws to a dust-collecting device when sawing.
 43. Use and correct adjustment of the riving knife
 44. Use and correct adjustment of the upper saw blade guard.
 45. Take care when slotting.

Make sure, when changing the saw blade, the blade width is not smaller and the main blade thickness of the saw blade is not greater than the thickness of the riving knife.

Wear personal protective equipment, these could include:

- Hearing protection to reduce the risk of hearing loss
- Eye protection
- Inhale respiratory protection to reduce the risk of harmful dust
- Gloves when handling the blades and rough materials (recommendation, saw blades, are whenever practicable, carried in a container)



Warning! Do not use HSS blades.

- Insert the push stick in its holder when not in use.
- Use a push stick or a push block to guide the workpiece.



Warning! Do not use the saw for rebating or grooving.

- Only use saw blades, whose maximum speed is at least the speed indicated on the saw and is suitable for the material to be cut.
- During the transport, the upper part of the saw blade has to be covered, by the guard.

Switch off the machine immediately when you discover:

- A defective mains plug or mains lead.
- A defective switch.
- Overheating of the machine.
- Smoke or odour caused by scorched insulation.

Electrical safety

When using electric machines always observe the safety regulations applicable in your country to reduce the risk of fire, electric shock and personal injury. Read the following safety instructions and also the enclosed safety instructions.



Always check that the power supply corresponds to the voltage on the rating plate.

Replacing cables or plugs

Immediately throw away old cables or plugs when they have been replaced by new ones. It is dangerous to insert the plug of a loose cable in the wall outlet.

Using extension cables

- As a supply for this machine always use an unloaded line and/or an extension cable with conductors of at least 1,5 mm² and protected with a 16 A fuse. Be sure that this extension cable is not longer than 20 metres.
- This machine can be switched to the single-phase network (230-240 V/50 Hz). If you are in doubt about the earth of the electricity provisions, consult an electrician first.

2. MACHINE INFORMATION

Intended use

This power tool is intended as a stationary machine for making straight lengthways and crossways cuts in hard and soft wood free from foreign bodies such as nails, screws and mortar.

Technical specifications

Model No.	TSM1036
Voltage	230-240V~
Frequency	50 Hz
Power input	800W
No load speed	2950/min
Bevel angles	0° <> +45°
Sawblade dimensions	Ø 200×2,4 × Ø 16mm
Number of teeth	24T
Max. workpiece height 90°	43 mm
Max. workpiece height 45°	27 mm
Thickness of the riving knife	2.2 mm
Blade body thickness	1.8 mm
Weight	13 kg
Lpa (sound pressure level)	99.6 +3 dB(A)
Lwa (sound power level)	112.6 +3 dB(A)
Vibration value	<2.5 m/s ²

Vibration level

The vibration emission level stated in this instruction manual has been measured in accordance with a standardised test given in EN 60745; it may be used to compare one tool with another and as a preliminary assessment of exposure to vibration when using the tool for the applications mentioned

- using the tool for different applications, or with different or poorly maintained accessories, may significantly increase the exposure level.
- the times when the tool is switched off or when it is running but not actually doing the job, may significantly reduce the exposure level.

Protect yourself against the effects of vibration by maintaining the tool and its accessories, keeping your hands warm, and organizing your work patterns.

DESCRIPTION

The numbers in the text refer to the diagrams on page 2-6.

1. Table surface
2. Blade guard
3. Push stick

4. Saw blade
5. Riving knife
6. Table insert
7. Parallel guide
8. Front knob for angle adjustment
9. Rear knob for angle adjustment
10. Angle scale
11. On / Off switch
12. Knob for parallel guide
13. Angle scale indicator
14. Mitre guide
15. Nut for saw blade
16. Vacuum cleaner adapter
17. Countersunk screw
18. L-shaped recess in the riving knife
19. Fixing screw
20. Mounting holes
21. Groove in table surface
22. Ruler
23. Extension for mitre guide
24. Knobs for mitre guide
25. Dust extraction port
26. Clamping plate for parallel guide
27. Washer for parallel guide
28. Knob for mitre angle
29. Large spanner
30. Small spanner
31. Saw blade cover
32. Phillips screw for saw blade cover
33. Knob for guard
34. Nut for guard
35. Carriage bolt for guard
36. Wing nut

3. ASSEMBLY



Before carrying out any work on the machine, disconnect the mains plug from the power supply.

Installing / removing saw blade guard

Fig. A, B, C

1. Open the knob (33) as far as possible until the knob (33) touches the nut (34), as shown on figure B. Attention: do not adjust the nut (34).
2. Push the carriage bolt (35) as far as possible through the saw blade guard (2) so that the square profile of the carriage bolt (35) protrudes from the saw blade guard (2).
3. Mount the saw blade guard (2) with the carriage bolt (35) into the L-shaped recess (18)

of the Riving knife (5): first forward and then down, as shown on figure C.

4. Then push the carriage bolt (35) back again, with the square profile into the recess in the saw blade guard (2).
5. Tighten the knob (33) as far as possible. Attention: the upper saw blade guard must be able to move freely. Disassembly is carried out in reverse order.

Replacing the table insert

Fig. D



A worn or damaged table insert (6) must be replaced immediately.

In the event of wear or damage, the table insert must be replaced. Otherwise there is an increased risk of injury.

1. Remove the saw blade guard (2) as explained in aforementioned paragraph.
2. Loosen the countersunk screws (17).
3. Replace table insert (6). The new table insert is installed in reverse order.

Adjusting the Riving knife

Fig. E, F

1. Remove the saw blade guard (2) as explained in aforementioned paragraph.
2. Loosen the screws (19) and remove the riving knife (5). The distance between saw blade (4) and Riving knife (5) should be 3-8 mm, as shown on figure F.
3. Ensure the riving knife is straight and centered behind the saw blade (4).

Mounting / changing the saw blade

Fig. G, H



When mounting the saw blade, wear protective gloves. Danger of injury when touching the saw blade.



Only use saw blades that correspond with the characteristic data given in the operating instructions. Use only saw blades that are marked with a speed equal or higher than the speed marked on the machine.



Do not under any circumstances use grinding discs as the cutting tool.

1. Remove the saw blade cover (31) by loosening the Phillips screws (32).
2. Loosen the nut by attaching the large spanner (29) to the nut and using the small spanner (30) on the motor shaft in order to counteract. Attention: turn the nut in the direction of rotation of the saw blade.
3. Remove the outer flange and remove the saw blade (4).
4. Carefully clean the saw blade flanges before installing the new saw blade. Replace and tighten the new saw blade in reverse order.



The arrow marked on the saw blade, which indicates the direction of rotation, must point in the same direction as the arrow marked on the machine, the saw blade teeth must point downwards on the front of the saw.

- Before you start working with the saw again, the functionality of the protective devices must be checked.
- Warning! After each saw blade change, check that the saw blade guard (2) opens and closes as required. Additionally check whether the saw blade (4) runs freely in the saw blade guard (2).
- Warning! After each saw blade change, check that the saw blade (4) can move freely in the table insert (6), when in vertical position and when tilted to 45°.

Fixing on a substructure

Fig. A

The mounting holes (20) on the machine frame are used to attach the device on a solid, flat base such as on a workbench. Matching mounting material (screws, etc.) are available at specialist stores.

Dust Extraction

Fig. I

The saw is equipped with a dust extraction system.

- Insert the vacuum cleaner adapter (16) in the dust extraction port (25).
- It is strongly advised to use a dust extraction system that is suitable for the material wherever possible.
- Regularly check and clean the suction channels.

Storage of loose parts

Fig. A, I

When not in use, the push stick (3), Parallel guide (7) and Mitre guide (14) can be attached. The push stick (3) can be stored in the machine housing, as shown on figure A. The Mitre guide (14) can be fixed to the machine housing with the wing nut (36) as shown in figure I.

4. OPERATION

Switching on/off

Fig A

- Press the switch into position '1' to put your machine into operation.
- To switch off the machine the same switch needs to be pressed to position '0'
- Always keep the mains cable away from moving parts.

Parallel guide

Fig. A, J, K

When slitting wood parts, the Parallel guide (7) must be used.

- Mount the Parallel guide (7) on the table surface (1) with the clamping plate (26); Washers (27) and knobs (12): Outside of the saw table: set screw (12) and washer (27); Inside of the saw table: clamping plate (26).

User modes

The supplied Parallel guide (7) has two different height guide surfaces, one on each side of the guide. Use the lower height side for flat workpieces, the higher stop height for tall workpieces.

1. To change the height of the stop, open the knobs (12) on the Parallel guide (7) and remove it from the table.
2. Turn the Parallel guide (7) 180 ° so that the front end points to the rear.
3. Tighten the knobs (12) again.

Cutting width

The Parallel guide (7) can be mounted on both sides of the table surface (1).

1. Loosen the two knobs (12).
2. With the aid of the ruler (22) on the table surface (1), the Parallel guide (7) can be adjusted to the desired size.

3. Tighten the two knobs (12) to fix the Parallel guide (7).
4. In addition to the scale display, measure the cutting width between saw blade and Parallel guide. After a new setting, make a test cut to check the dimensions.

Mitre guide

Fig. L

For cross-cutting of wooden parts, the Mitre guide(14) must be used.

1. Fix the Mitre guide extension (23) to the Mitre guide (14) with the knobs for mitre guide (24).
2. Push the Mitre guide(14) into the groove (21) of the table surface.
3. Loosen the knob for mitre angle (28).
4. Turn the Mitre guide extension (23) until the arrow points to the desired angle.
5. Tighten the knob for mitre angle (28) again.
6. Check the distance between Mitre guide extension (23) and saw blade (4).

Warning! Do not push the Mitre guide extension (23) too far towards the saw blade. The distance between Mitre guide extension (23) and saw blade (4) should be approx. 2 cm. If necessary, loosen the two knobs for mitre guide (24) and adjust the Mitre guide extension (23). Afterwards, retighten the knobs for mitre guide (24).

Angle adjustment

Fig. A, I

1. Loosen both the front knob for angle adjustment (8) and the rear knob for angle adjustment (9).
2. Adjust the saw blade angle by sliding the two knobs (8, 9) until the indicator (13) matches the desired angle on the angle scale (10).
3. Tighten both the front knob for angle adjustment (8) and the rear knob for angle adjustment (9).

Working instructions

There are two types of sawing methods:

- Lengthwise sawing (Fig.K)
Sawing the workpiece in the length of the wood grain
- Cross-cutting or cutting off, use the mitre guide (Fig.L)
Sawing off the workpiece crosswise



For both sawing methods one of the fences must be used. Therefore never saw without a fence!

Attention! Before you start sawing, first check the following:

1. Is the saw blade secured?
2. Are all the locking handles secured?
3. Is the fence parallel to the saw blade?
4. Is the protective cap working properly?
5. Are you wearing safety goggles?
6. Is the saw blade not rubbing against anything?



It is absolutely necessary to take these points into consideration before you start work!

Lengthwise sawing

- Secure the fence to the correct measuring position and remove the cut-off guide from the bench carriage.
- Press the wood lightly towards the bench and let it glide against the cut-off fence.



Remain at least 3 cm. from the front of the saw blade before you switch on the motor. The side of the wood which is against the fence must be completely straight. Keep your hands at least 10 cm away from the saw track to be followed.

- Switch on the motor and wait until the saw blade has reached the maximum number of revolutions before you start sawing.
- While you press the wood against the bench and the fence, you can carefully push the wood through the saw blade without forcing it.
- Never pull the workpiece backwards. If necessary, switch off the motor first without altering the position of the workpiece.

Lengthwise sawing with a (vertical) mitre

This method is practically the same, except that the saw blade is placed at the angle required.



With this type of method the fence may only be along the righthand side of the sawblade.

Lengthwise sawing of narrow workpieces



Assume that this process is extremely dangerous.

Take all the necessary safety measures and continually push the workpiece through (until behind the saw blade) using a push stick instead of by hand.

Crosswise sawing

- Remove the fence and apply the cross-cut fence in the righthand carriage.
- Adjust the height of the saw blade (see lengthwise sawing).
- Press the workpiece against the cross-cut fence and keep at least 2,5 cm distance from the front of the saw blade.
- Switch on the motor and wait until the maximum number of revolutions has been reached.
- Press the workpiece against the fence and the bench. Carefully push the wood through the saw blade. Continue until behind the saw blade. Then switch off the motor and keep this position until the saw blade has stopped completely before you remove the wood.
- Never pull the wood back. If necessary, switch the motor off and keep the position until the saw blade has stopped completely.

Crosswise sawing with a vertical mitre

This method is practically the same, except that the saw blade is placed in the angle required.



Only place the cross-cut fence on the righthand side of the saw blade. Never saw too small pieces of wood. Never use your hands to carry out difficult operations.

Crosswise sawing with a horizontal mitre

With this method the cross-cut fence must be secured at the angle required. Keep the workpiece pressed firmly against the cross-cut fence and the bench before you start cutting off.

5. MAINTENANCE



Make sure that the machine is not live when carrying out maintenance work on the motor.

These machines have been designed to operate over a long period of time with a minimum of maintenance. Continuous satisfactory operation depends upon proper machine care and regular cleaning.

ENVIRONMENT



Damaged and/or disposed of electrical or electronic devices must be dropped off at recycling stations intended for that purpose.

Only for EC countries

Do not dispose of power tools into domestic waste. According to the European Guideline 2012/19/EU for Waste Electrical and Electronic Equipment and its implementation into national right, power tools that are no longer usable must be collected separately and disposed of in an environmentally friendly way.

WARRANTY

Read the warranty conditions on the separately supplied warranty card.

The product and the user manual are subject to change. Specifications can be changed without further notice.

TISCHKREISSÄGE TSM1036

Vielen Dank für den Erwerb dieses Ferm Produkts. Sie haben sich für ein ausgezeichnetes Produkt von einem der führenden Hersteller Europas entschieden. Alle von Ferm gelieferten Produkte werden gemäß den höchsten Standards für Leistungsverhalten und Sicherheit gefertigt. Zu unserer Firmenphilosophie gehört es außerdem, Ihnen einen ausgezeichneten Kundendienst anzubieten, gedeckt von unserer umfassenden Garantie. Wir wünschen Ihnen viele Jahre Freude an diesem Produkt.

1. SICHERHEITSANWEISUNGEN



Lesen Sie die beiliegenden Sicherheitsanweisungen, die zusätzlichen Sicherheitsanweisungen sowie die Bedienungsanleitung. Das Nichtbeachten der Sicherheitsanweisungen und der Bedienungsanleitung kann zu einem Stromschlag, Feuer und/ oder schweren Verletzungen führen. **Bewahren Sie die Sicherheitsanweisungen und die Bedienungsanleitung zur künftigen Bezugnahme auf.**

Folgende Symbole werden im Benutzerhandbuch oder auf dem Produkt verwendet:



Lesen Sie das Benutzerhandbuch.



Lebens- und Verletzungsgefahr und Gefahr von Beschädigungen am Werkzeug/ Gerät bei Nichteinhaltung der Anweisungen in dieser Bedienungsanleitung.



Gefahr eines Stromschlags



Zuschauer fernhalten.



Staubschutzmaske tragen.



Tragen Sie Augen- und Gehörschutzvorrichtungen



Kommen Sie mit Ihren Händen nicht in den Sägebereich, während das Elektrowerkzeug läuft. Beim Kontakt mit dem Sägeblatt besteht Verletzungsgefahr.



Gefahrenbereich! Halten Sie möglichst Hände, Finger oder Arme von diesem Bereich fern.



Gerät der Klasse I. Dieses Gerät ist in Schutzklasse I eingestuft und muss an eine geerdete Netzsteckdose angeschlossen werden.



Das Produkt entspricht den geltenden Sicherheitsnormen der europäischen Richtlinien.



Beachten Sie die Abmessungen des Sägeblatts. Der Lochdurchmesser muss ohne Spiel zur Werkzeugspindel passen. Falls eine Verwendung von Reduzierstücken notwendig ist, achten Sie darauf, dass die Abmessungen des Reduzierstücks zur Stammblattdicke und zum Lochdurchmesser des Sägeblatts sowie zum Durchmesser der Werkzeugspindel passen. Verwenden Sie möglichst die mit dem Sägeblatt mitgelieferten Reduzierstücke. Der Sägeblattdurchmesser muss der Angabe auf dem Symbol entsprechen.

BESONDERE SICHERHEITSANWEISUNGEN

ACHTUNG! Beim Gebrauch von Elektrowerkzeugen sind zum Schutz gegen elektrischen Schlag, Verletzungs- und Brandgefahr folgende grundsätzliche Sicherheitsmaßnahmen zu beachten. Lesen Sie alle diese Hinweise, bevor Sie dieses Elektrowerkzeug benutzen, und bewahren Sie die Sicherheitshinweise gut auf.

- Halten Sie Ihren Arbeitsbereich in Ordnung
 - Unordnung im Arbeitsbereich kann Unfälle zur Folge haben.

2. Berücksichtigen Sie Umgebungseinflüsse
 - Setzen Sie Elektrowerkzeuge nicht dem Regen aus.
 - Benützen Sie Elektrowerkzeuge nicht in feuchter oder nasser Umgebung.
 - Sorgen Sie für gute Beleuchtung des Arbeitsbereichs.
 - Benutzen Sie Elektrowerkzeuge nicht, wo Brand- oder Explosionsgefahr besteht. 3 Schützen Sie sich vor elektrischem Schlag
 - Vermeiden Sie Körperberührung mit geerdeten Teilen (z. B. Rohren, Radiatoren, Elektroherden, Kühlgeräten).
 4. Halten Sie andere Personen fern
 - Lassen Sie andere Personen, insbesondere Kinder, nicht das Elektrowerkzeug oder das Kabel berühren. Halten Sie sie von Ihrem Arbeitsbereich fern.
 5. Bewahren Sie unbenutzte Elektrowerkzeuge sicher auf
 - Unbenutzte Elektrowerkzeuge sollten an einem trockenen, hochgelegenen oder abgeschlossenen Ort, außerhalb der Reichweite von Kindern, abgelegt werden.
 6. Überlasten Sie Ihr Elektrowerkzeug nicht
 - Sie arbeiten besser und sicherer im angegebenen Leistungsbereich.
 7. Benutzen Sie das richtige Elektrowerkzeug
 - Verwenden Sie keine leistungsschwachen Maschinen für schwere Arbeiten.
 - Benutzen Sie das Elektrowerkzeug nicht für solche Zwecke, für die es nicht vorgesehen ist. Benutzen Sie zum Beispiel keine Handkreissäge zum Schneiden von Baumstäben oder Holz-scheiten.
 8. Tragen Sie geeignete Kleidung
 - Tragen Sie keine weite Kleidung oder Schmuck, sie könnten von beweglichen Teilen erfasst werden.
 - Bei Arbeiten im Freien ist rutschfestes Schuhwerk empfehlenswert.
 - Tragen Sie bei langen Haaren ein Haarnetz.
 9. Benutzen Sie Schutzausrüstung
 - Tragen Sie eine Schutzbrille.
 - Verwenden Sie bei stauberzeugenden Arbeiten eine Atemmaske.
 10. Schließen Sie die Staubabsaug-Einrichtung an
 - Falls Anschlüsse zur Staubabsaugung und Auffangeinrichtung vorhanden sind, überzeugen Sie sich, dass diese angeschlossen und richtig benutzt werden.
 11. Verwenden Sie das Kabel nicht für Zwecke, für die es nicht bestimmt ist
 - Benützen Sie das Kabel nicht, um den Stecker aus der Steckdose zu ziehen. Schützen Sie das Kabel vor Hitze, Öl und scharfen Kanten.
 12. Sichern Sie das Werkstück
 - Benützen Sie Spannvorrichtungen oder einen Schraubstock, um das Werkstück festzuhalten. Es ist damit sicherer gehalten als mit Ihrer Hand.
 13. Vermeiden Sie abnormale Körperhaltung
 - Sorgen Sie für sicheren Stand und halten Sie jederzeit das Gleichgewicht.
 14. Pflegen Sie Ihre Werkzeuge mit Sorgfalt
 - Halten Sie die Schneidwerkzeuge scharf und sauber, um besser und sicherer arbeiten zu können.
 - Befolgen Sie die Hinweise zur Schmierung und zum Werkzeugwechsel.
 - Kontrollieren Sie regelmäßig die Anschlussleitung des Elektrowerkzeugs und lassen Sie diese bei Beschädigung von einem anerkannten Fachmann erneuern.
 - Kontrollieren Sie Verlängerungsleitungen regelmäßig und ersetzen Sie diese, wenn sie beschädigt sind.
 - Halten Sie Handgriffe trocken, sauber und frei von Öl und Fett.
 15. Ziehen Sie den Stecker aus der Steckdose
 - Bei Nichtgebrauch des Elektrowerkzeugs, vor der Wartung und beim Wechsel von Werkzeugen wie z. B. Sägeblatt, Bohrer, Fräser.
 16. Lassen Sie keine Werkzeugschlüssel stecken
 - Überprüfen Sie vor dem Einschalten, dass Schlüssel und Einstellwerkzeuge entfernt sind.
 17. Vermeiden Sie unbeabsichtigten Anlauf
 - Vergewissern Sie sich, dass der Schalter beim Einstecken des Steckers in die Steckdose ausgeschaltet ist.
 18. Benutzen Sie Verlängerungskabel für den Außenbereich
 - Verwenden Sie im Freien nur dafür zugelassene und entsprechend gekennzeichnete Verlängerungskabel.
- Spezielle Sicherheitsvorschriften**
1. Bei Sägeblättern mit Zähnen aus Hartmetall empfiehlt sich die Anwendung von Blättern mit

- einem negativen oder geringfügig positiven Schnittwinkel zu verwenden. Verwenden Sie keine Sägeblätter mit tief ausgeschnittenen Zähnen. Diese können die Schutzhaube erfassen.
2. Achtung: Montieren Sie zuerst sorgfältig alle Teile, bevor Sie mit der Arbeit beginnen. Befolgen Sie die angegebenen Arbeitsschritte.
 3. Sollten Ihnen der Umgang mit einer derartigen Maschine nicht vertraut sein, ist anzuraten, daß Sie sich vorher von einem Fachmann, Lehrling oder Techniker beraten lassen.
 4. Klemmen oder drücken Sie das Werkstück immer kräftig gegen die Sägeschiene, bevor Sie es bearbeiten. Es ist immer besser, irgendwelche Klemmvorrichtungen als die bloßen Hände zu verwenden.
 5. Wichtig: Bei Arbeiten mit der bloßen Hand ist immer ein Mindestabstand von 100 mm zum Sägeblatt einzuhalten.
 6. Drücken Sie das Werkstück immer gegen den Tisch.
 7. Sorgen Sie dafür, daß das Sägeblatt scharf ist und kontrollieren Sie regelmäßig, ob es sich frei und ohne zu vibrieren dreht. Wechseln Sie das Sägeblatt gegebenenfalls aus.
 8. Lassen Sie die Maschine unbelastet laufen, bis sie die höchste Drehzahl erreicht hat, bevor Sie mit der Bearbeitung beginnen.
 9. Halten Sie die Lüftungsschlitze an der Rückseite und der Unterseite der Tischsäge und des Elektromotors sauber. Dadurch gewährleisten Sie eine längere Lebensdauer der Maschine. Staubansammlungen müssen vermieden werden.
 10. Arretieren Sie das Sägeblatt immer in dem jeweiligen Winkel, bevor Sie mit der Bearbeitung beginnen.
 11. Kaufen Sie nur geeignete Sägeblätter, die für eine Drehzahl von mindestens 6000 Umdrehungen pro Minute ausgelegt sind.
 12. Verwenden Sie nur geeignete Sägeblätter. Die Verwendung von zu kleinen oder zu großen Sägeblättern ist äußerst gefährlich.
 13. Kontrollieren das Sägeblatt regelmäßig auf eventuelle Fehler. Wechseln Sie das Sägeblatt gegebenenfalls aus.
 14. Entfetten Sie ein neues Sägeblatt und reinigen Sie die Flansche, bevor Sie das neue Sägeblatt montieren. Montieren Sie das Blatt anschließend in der richtigen Position und ziehen Sie die Flansche mit der zentralen Schraube fest an.
 15. Verwenden Sie nur originale Flansche. Alle anderen sind nicht geeignet.
 16. Arbeiten Sie niemals ohne die Schutzhaube des Sägeblatts.
 17. Der bewegliche Teil der Schutzhaube muß ebenfalls immer montiert sein.
 18. Schmieren Sie das Sägeblatt niemals während der Arbeit.
 19. Halten Sie Ihre Hände beim Zuführen des Werkstücks immer vom Sägeblatt fern.
 20. Greifen Sie niemals nach dem Werkstück, indem Sie mit den Händen neben oder hinter das Sägeblatt langieren.
 21. Sorgen Sie dafür, daß das Werkstück nie am Sägeblatt anstößt, bevor die Maschine eingeschaltet wurde.
 22. Bearbeiten Sie niemals Teile aus Metall oder Stein mit dieser Maschine.
 23. Verwenden Sie Hilfsmittel, um längere Werkstücke zu abstützen.
 24. Arbeiten Sie mit der Maschine niemals in einer gefährlichen Umgebung, wie beispielsweise in der Nähe von leichtentzündlichen Gasen oder Flüssigkeiten.
 25. Lassen Sie die Maschine niemals unbeaufsichtigt, ohne zuvor die Netzspannung abzuschalten.
 26. Sollten Sie ungewöhnliche Geräusche hören, versuchen Sie die Ursache hierfür zu finden oder bringen Sie die Maschine zu einem anerkannten Installateur oder Reparaturbetrieb.
 27. Wechseln Sie beschädigte oder fehlerhafte Teile sofort aus oder reparieren Sie diese.
 28. Stellen Sie sich niemals in die Arbeitsstrecke des Sägeblatts; bleiben Sie immer links oder rechts vom Sägeblatt stehen.
 29. Sorgen Sie dafür, daß sich auch Ihre Hände immer neben der Arbeitsstrecke des Sägeblatts befinden.
 30. Schieben Sie ein Werkstück zum Schluss immer nur mit einem Pushstick und niemals mit der Hand weiter.
 31. Legen Sie das Holz immer auf die Vorderseite des Sägeblatts und schieben Sie es von dort aus weiter nach hinten.
 32. Zum Gehrungssägen verwendet man einige einstellbare Schienen und entfernt vorher die Längsführungsschiene.
 33. Verwenden Sie die Längsführungsschiene niemals als Längenmaß beim Abtrennen von Balken.

34. Beim Blockieren des Sägeblatts: Schalten Sie die Maschine ab, bevor Sie die Störung beheben.
35. Verhindern Sie, daß Werkstücke in Ihre Richtung zurückgeschlagen werden können, indem Sie:
- Immer scharfe Sägeblätter verwenden;
 - Keine kleinen Werkstücke sägen;
 - Das Werkstück niemals loslassen, bevor es nicht vollständig durch die Säge geschoben wurde;
 - Die Schienen immer parallel zum Sägeblatt einstellen;
 - Den Sägeschutz niemals entfernen.
36. Bevor Sie mit dem Sägen fortfahren, müssen Sie sich vergewissern, daß Sie sicher stehen und Ihre Hände sich in der gewünschten Position befinden.
37. Verwenden Sie niemals Verdünnungsmittel, um die Maschine zu reinigen. Reinigen Sie die Maschine ausschließlich mit einem feuchten Tuch.
38. Verwenden Sie niemals beschädigte oder verbogene Sägeblätter.
39. Wechseln Sie ein verschlissenes Tischeinsatzstück aus.
40. Verwenden Sie nur vom Hersteller festgelegte Sägeblätter, die, wenn sie zum Bearbeiten von Holz oder ähnlichen Werkstoffen vorgesehen sind, EN 847-1 entsprechen.
41. Achten Sie darauf, dass das gewählte Sägeblatt für das zu sägende Material geeignet ist.
42. Schließen Sie die Tischeife während des Betriebs an eine Staubsammelanlage an.
43. Benutzen Sie den Spaltkeil und korrigieren Sie dessen Einstellung.
44. Benutzen Sie die obere Sägeblatthaube und korrigieren Sie deren Einstellung.
45. Seien Sie vorsichtig beim Tauchsägen. Achten Sie, beim Wechseln des Sägeblattes die Schnittbreite nicht kleiner und die Stammblattdicke des Sägeblatts nicht größer ist, als die Dicke des Spaltkeiles zu sein hat. Tragen Sie persönliche Schutzausrüstung, diese könnte umfassen:
- Gehörschutz zur Verminderung des Risikos, schwerhörig zu werden.
 - Augenschutz
 - Atemschutz zur Verminderung des Risikos, gesundheitsschädlichen Staub einzuatmen
 - Handschuhe beim Handhaben der Sägeblätter und rauen Werkstoffen (Empfehlung, dass Sägeblätter, wann immer praktikabel, in einem Behälter getragen werden).



Warnung! Verwenden Sie keine aus Schnellarbeitsstahl gefertigten Sägeblätter.

- Stecken Sie den Schiebstock oder das Schiebholz bei Nichtgebrauch in seinen Halter.
- Verwenden Sie einen Schiebstock oder ein Schiebholz, um das Werkstück am Sägeblatt vorbei zu führen.



Warnung! Verwenden Sie die Säge nicht zum Falzen oder Nuten.



Warnung! Verwenden Sie die Säge nicht zum Einsetzschnitten (im Werkstück beendete Nuten).

- Verwenden Sie nur Sägeblätter, deren maximal mögliche Drehzahl mindestens der auf der Säge angegebenen Drehzahl entspricht und die für das zu sägende Material geeignet sind.
- Beim Transportieren der Maschine verwenden Sie nur die Transportvorrichtungen und niemals die Schutzvorrichtungen für Handhabung oder Transport.
- Während des Transports muss der obere Teil des Sägeblattes verdeckt sein, z.B. durch die Schutzhaube.

Das Gerät sofort Ausschalten:

- Überhitzung des Kreissäges.
- Störung im Netzstecker, dem Netzkabel oder Schnurbeschädigung.
- Defektem Schalter.
- Rauch oder Gestank verschmorter Isolation.

Elektrische Sicherheit

Beachten beim Benutzen von Elektromaschinen immer die örtlichen Sicherheitsvorschriften bezüglich Feuerrisiko, Elektroschock und Verletzung. Lesen Sie außer den folgenden Hinweisen ebenfalls die Sicherheitsvorschriften im einschlägigen Sonderteil. Die Hinweise müssen sicher aufbewahrt werden!



Überprüfen Sie immer, ob Ihre Netzspannung der des Typenschildes entspricht.

Austauschen von Kabeln oder Steckern

Entsorgen Sie alte Kabel oder Stecker, unmittlbar nachdem Sie durch neue ersetzt sind. Das Anschließen eines Steckers eines losen Kabels an eine Steckdose ist gefährlich.

Verwendung von Verlängerungskabeln

- Verwenden Sie als Stromzufuhr für diese Maschine immer einen unbelasteten Anschluß und/oder eine Verlängerungsschnur mit mindestens 1,5 mm² Durchmesser und einer 16-A-Sicherung. Achten Sie darauf, daß die Verlängerungsschnur nicht länger als 20 Meter ist.
- Diese Maschine kann an ein einphasiges Netz (230-240 V~ 50 Hz) angeschlossen werden. Halten Sie immer erst Rücksprache mit einem Elektriker, wenn Sie Zweifel in bezug auf die Belastbarkeit des Stromnetzes haben.

2. ANGABEN ZUM WERKZEUG

Verwendungszweck

Dieses Werkzeug ist geeignet als stationäre Maschine zum Sägen von geraden Länge- und Querschnitten in hartem und weichen Holzarten die frei sind von Fremdkörpern wie Nägel, Schrauben und Mörtel.

Technische daten

Modellnummer	TSM1036
Spannung	230-240V~
Frequenz	50 Hz
Aufgenommene Leistung	800W
Drehzahl unbelastet/min	2950/min
Winkel für Schrägschnitt	0° <> +45°
Anzahl Zähne	∅ 200×2,4 ×∅ 16mm
Anzahl Zähne	24T
Max. Werkstückhöhe bei 90°	43 mm
Max. Werkstückhöhe bei 45°	27 mm
Dicke des Spaltmessers	2.2 mm
Dicke des Sägeblatt-Körpers	1.8 mm
Gewicht	13 kg
Lpa (Schalldruckpegel)	99.6 +3 dB(A)
Lwa (Schalleistungspegel)	112.6 +3 dB(A)
Vibrationswert	<2.5 m/s ²

Vibrationsintensität

Die in dieser Bedienungsanleitung angegebene Vibrationsintensität wurde mit einem standardisierten Test gemäß EN60745

gemessen. Anhand dieser Größe können Werkzeuge miteinander verglichen werden. Außerdem eignet sich diese Größe für eine erste Beurteilung der Vibrationsbelastung bei Verwendung des Werkzeugs für die angegebenen Anwendungszwecke.

- Bei Verwendung des Werkzeugs für andere Anwendungen oder mit anderem oder unzureichend gewartetem Zubehör kann sich die Vibrationsbelastung erheblich erhöhen.
- Wenn das Werkzeug ausgeschaltet ist, oder wenn es eingeschaltet ist, jedoch nicht genutzt wird, kann sich die Vibrationsbelastung erheblich verringern.

Schützen Sie sich vor den Auswirkungen der Vibration durch Wartung des Werkzeugs und des Zubehörs, halten Sie Ihre Hände warm, und organisieren Sie Ihren Arbeitsablauf.

BESCHREIBUNG

Die Buchstaben und Ziffern im folgenden Text verweisen auf die Abbildungen auf Seite 2-6.

1. Tischoberfläche
2. Sägeblattschutz
3. Schiebstock
4. Sägeblatt
5. Spaltkeil
6. Tischeinsatz
7. Parallelführung
8. Vorderer Knopf der Winkelverstellung
9. Hinterer Knopf der Winkelverstellung
10. Winkelskala
11. EIN/AUS-Schalter
12. Knopf der Parallelführung
13. Winkelskalenanzeige
14. Gehrungsführung
15. Sägeblattnutter
16. Staubsaugeradapter
17. Senkkopfschraube
18. L-förmige Aussparung im Spaltmesser
19. Befestigungsschraube
20. Montagelöcher
21. Nut in der Tischfläche
22. Lineal
23. Verlängerung der Gehrungsführung
24. Knöpfe der Gehrungsführung
25. Anschluss für Staubsaugvorrichtung
26. Einspannplatte für Parallelführung
27. Unterlegscheibe der Parallelführung

- 28. Knopf für Gehrungswinkel
- 29. Großer Schraubenschlüssel
- 30. Kleiner Schraubenschlüssel
- 31. Sägeblattabdeckung
- 32. Kreuzschlitzschraube der Sägeblattabdeckung
- 33. Knopf für Schutzvorrichtung
- 34. Mutter für Schutzvorrichtung
- 35. Schlossschraube für Schutzvorrichtung
- 36. Flügelmuttern

3. MONTAGE



Ziehen Sie vor allen Arbeiten an der Maschine den Netzstecker aus der Steckdose.

Montage/Demontage des Sägeblattschutzes Abb. A, B, C

1. Öffnen Sie den Knopf (33) so weit wie möglich, bis der Knopf (33) die Mutter (34) berührt, siehe Abbildung B. Achtung: Mutter (34) dabei nicht verstellen.
2. Schieben Sie den Schlossschraube (35) so weit wie möglich durch den Sägeblattschutz (2), so dass das Vierkantprofil der Schlossschraube (35) aus dem Sägeblattschutz (2) herausragt.
3. Bringen Sie den Sägeblattschutz (2) mit der Schlossschraube (35) in der L-förmigen Aussparung (18) im Spaltnmesser (5) an, indem Sie ihn zuerst nach vorne und dann nach unten bewegen, siehe Abbildung C.
4. Schieben Sie dann die Schlossschraube (35) wieder zurück, wobei sich das Vierkantprofil in der Aussparung im Sägeblattschutz (2) befinden muss.
5. Ziehen Sie den Knopf (33) so weit wie möglich fest. Achtung: Der obere Sägeblattschutz muss sich frei bewegen können. Die Demontage erfolgt in umgekehrter Reihenfolge.

Austauschen des Tischeinsatzes

Abb. D



Ein verschlissener oder beschädigter Tischeinsatz (6) muss sofort ausgetauscht werden.

Bei Verschleiß oder Beschädigung muss der Tischeinsatz ausgetauscht werden. Anderenfalls besteht erhöhte Verletzungsgefahr.

1. Entfernen Sie den Sägeblattschutz (2) wie im obigen Abschnitt beschrieben.
2. Lösen Sie die Senkkopfschrauben (17).
3. Setzen Sie den Tischeinsatz (6) wieder ein. Der neue Tischeinsatz wird in umgekehrter Reihenfolge eingebaut.

Justieren des Spaltnmessers

Abb. E, F

1. Entfernen Sie den Sägeblattschutz (2) wie im obigen Abschnitt beschrieben.
2. Lösen Sie die Schrauben (19) und entfernen Sie das Spaltnmesser (5). Der Abstand zwischen Sägeblatt (4) und Spaltnmesser (5) sollte 3-8 mm betragen, siehe Abbildung F.
3. Stellen Sie sicher, dass das Spaltnmesser gerade und zentriert hinter dem Sägeblatt (4) steht.

Anbringen/Austauschen des Sägeblatts

Abb. G, H



Tragen Sie beim Anbringen des Sägeblatts Schutzhandschuhe. Verletzungsgefahr beim Berühren des Sägeblattes.



Verwenden Sie nur Sägeblätter, die den Kenndaten in der Betriebsanleitung entsprechen. Verwenden Sie nur Sägeblätter, für die eine Geschwindigkeit angegeben ist, die gleich oder höher der auf der Maschine angegebenen Geschwindigkeit ist.



Verwenden Sie auf keinen Fall Schleifscheiben als Schneidwerkzeug.

1. Entfernen Sie die Sägeblattabdeckung (31) durch Lösen der Kreuzschlitzschrauben (32).
2. Lösen Sie die Mutter, indem Sie den großen Schraubenschlüssel (29) an der Mutter ansetzen und den kleinen Schraubenschlüssel (30) an der Motorwelle dagegensetzen. Achtung: Drehen Sie die Mutter in Drehrichtung des Sägeblattes.
3. Entfernen Sie den Außenflansch und das Sägeblatt (4).
4. Reinigen Sie die Sägeblattflansche sorgfältig, bevor Sie das neue Sägeblatt montieren. Bringen Sie das neue Sägeblatt in umgekehrter Reihenfolge wieder an und ziehen Sie es fest.



Der auf dem Sägeblatt eingezeichnete Pfeil weist auf die Drehrichtung hin. Es muss in die gleiche Richtung zeigen wie der auf der Maschine gekennzeichnete Pfeil, die Sägeblattzähne müssen vorne an der Säge nach unten zeigen

- Bevor wieder mit der Säge gearbeitet wird, muss die Funktionalität der Schutzeinrichtungen überprüft werden.
- Warnung! Nach jedem Sägeblattwechsel ist zu prüfen, ob der Sägeblattschutz (2) wie erforderlich öffnet und schließt. Zusätzlich ist zu prüfen, ob das Sägeblatt (4) im Sägeblattschutz (2) frei läuft.
- Warnung! Nach jedem Sägeblattwechsel ist zu prüfen, ob sich das Sägeblatt (4) im Tischeinsatz (6) in vertikaler Position und bei 45° Neigung frei bewegen kann.

Befestigung auf einer Unterkonstruktion

Abb. A

Die Montagelöcher (20) am Maschinenrahmen dienen zur Befestigung des Gerätes auf einem stabilen, ebenen Untergrund, z.B. auf einer Werkbank. Passendes Befestigungsmaterial (Schrauben, usw.) ist im Fachhandel erhältlich.

Staubabsaugung

Abb. I

Die Säge ist mit einer Staubabsaugvorrichtung ausgestattet.

- Setzen Sie den Staubsaugeradapter (16) in den Anschluss für die Staubabsaugvorrichtung (25) ein.
- Es wird dringend empfohlen, nach Möglichkeit stets ein für das Material geeignetes Staubabsaugsystem zu verwenden.
- Überprüfen und reinigen Sie die Saugkanäle regelmäßig.

Aufbewahrung von losen Teilen

Abb. A, I

Bei Nichtgebrauch können der Schiebstock (3), die Parallelführung (7) und die Gehrungsführung (14) am Gerät angebracht werden. Der Schiebstock (3) kann wie in Abbildung A dargestellt im Maschinengehäuse verstaut werden. Die Gehrungsführung (14) kann mit der Flügelmutter (36) wie in Abbildung I dargestellt am Maschinengehäuse befestigt werden.

4. BEDIENUNG

Ein-/Ausschalten

Fig A

- Drücken Sie den Schalter in die Position '1', um die Maschine in Betrieb zu nehmen.
- Um die Maschine auszuschalten, drücken Sie den gleichen Schalter auf die Position '0'.
- Halten Sie das Netzkabel immer von beweglichen Teilen fern.

Parallelführung

Abb. A, J, K

Beim Schneiden von Holzteilen muss die Parallelführung (7) verwendet werden.

- Montieren Sie die Parallelführung (7) mit der Einspannplatte (26), den Unterlegscheiben (27) und den Knöpfen (12) an der Tischfläche (1): Außerhalb des Sägeisches: Stellschraube (12) und Unterlegscheibe (27); innerhalb des Sägeisches: Einspannplatte (26).

Verwendungsarten

Die mitgelieferte Parallelführung (7) besitzt zwei Führungsflächen in unterschiedlicher Höhe, eine auf jeder Seite der Führung. Verwenden Sie die niedrigere Höhe für flache Werkstücke und die größere Höhe für dickere Werkstücke.

1. Zum Ändern der Höhe des Anschlags öffnen Sie die Knöpfe (12) an der Parallelführung (7) und entfernen Sie diese vom Tisch.
2. Drehen Sie die Parallelführung (7) um 180°, so dass das vordere Ende nach hinten zeigt.
3. Ziehen Sie die Knöpfe (12) wieder fest.

Schnittbreite

Die Parallelführung (7) kann auf beiden Seiten der Tischfläche (1) angebracht werden.

1. Lösen Sie die beiden Knöpfe (12).
2. Mit Hilfe des Lineals (22) auf der Tischfläche (1) kann die Parallelführung (7) auf die gewünschte Größe eingestellt werden.
3. Ziehen Sie die beiden Knöpfe (12) an, um die Parallelführung (7) zu befestigen.
4. Messen Sie zusätzlich zur Skalenanzeige die Schnittbreite zwischen Sägeblatt und Parallelführung. Machen Sie nach einer Neueinstellung einen Testschnitt, um die Abmessungen zu überprüfen.

Gehrungsführung

Abb. L

Für das Querschneiden von Holzteilen ist die Gehrungsführung (14) zu verwenden.

1. Bringen Sie die Verlängerung der Gehrungsführung (23) mit Hilfe der Knöpfe der Gehrungsführung (24) an der Gehrungsführung (14) an.
2. Schieben Sie die Gehrungsführung (14) in die Nut (21) der Tischfläche.
3. Lösen Sie den Knopf für den Gehrungswinkel (28).
4. Drehen Sie die Verlängerung der Gehrungsführung (23), bis der Pfeil auf den gewünschten Winkel zeigt.
5. Ziehen Sie den Knopf für den Gehrungswinkel (28) wieder fest.
6. Prüfen Sie den Abstand zwischen der Verlängerung der Gehrungsführung (23) und dem Sägeblatt (4).

Warnung! Schieben Sie die Verlängerung der Gehrungsführung (23) nicht zu weit in Richtung Sägeblatt. Der Abstand zwischen Gehrungsführung (23) und Sägeblatt (4) sollte ca. 2 cm betragen. Lösen sie gegebenenfalls die beiden Knöpfe für die Gehrungsführung (24) und justieren Sie die Verlängerung der Gehrungsführung (23). Ziehen Sie anschließend die Knöpfe der Gehrungsführung (24) wieder an.

Winklereinstellung

Abb. A, I

1. Lösen Sie sowohl den vorderen Knopf der Winkelverstellung (8) als auch den hinteren Knopf der Winkelverstellung (9).
2. Stellen Sie den Sägeblattwinkel durch Verschieben der beiden Knöpfe (8, 9) ein, bis die Anzeige (13) auf der Winkelskala (10) den gewünschten Winkel erreicht.
3. Ziehen Sie sowohl den vorderen Knopf der Winkelverstellung (8) als auch den hinteren Knopf der Winkelverstellung (9) fest.

Arbeitsanweisungen

Es gibt zwei verschiedene Sägemethoden:

- Längssägen (Fig. K)
Das Werkstück wird der Länge nach durchgesägt, d. h. entlang der Faser
- Quersägen oder Abtrennen; verwenden Sie dazu die Gehrungsführung (Fig. L)
Das Werkstück wird quer durchgesägt



Für beide Sägeverfahren muss eine der Führungen verwendet werden. Sägen Sie also niemals ohne Führung!

Achtung! Kontrollieren Sie vor dem Sägen immer zuerst folgendes:

1. Sitzt das Sägeblatt fest?
2. Sitzen alle Arretierungshebel fest?
3. Verläuft die Führungsschiene parallel zum Sägeblatt?
4. Funktioniert die Schutzhaube korrekt?
5. Tragen Sie eine Schutzbrille?
6. Stößt das Sägeblatt nicht an?



Es ist unbedingt erforderlich, diese Punkte zu kontrollieren, bevor Sie mit der Arbeit beginnen!

Längssägen

- Arretieren Sie die Führungsschiene in der richtigen Meßposition und entfernen Sie die Abtrennschiene aus dem Tischschlitten
- Schieben Sie das Holzstück leicht zum Tisch hin und lassen Sie es an der Abtrennschiene entlanggleiten.



Halten Sie mindesten 3 cm. Abstand von der Vorderseite des Sägeblatts, bevor Sie den Motor einschalten. Die Seite des Holzstücks, die an der Führungsschiene liegt, muß vollkommen gerade sein. Halten Sie Ihre Hände mindestens 10 cm. von der Schnittfläche fern.

- Schalten Sie den Motor ein und warten Sie, bis das Sägeblatt die höchste Drehzahl erreicht hat, bevor Sie mit dem Sägen beginnen.
- Während Sie das Holzstück gegen den Tisch und die Führungsschiene drücken, können Sie es mit leichtem Druck durch das Sägeblatt schieben.
- Ziehen Sie das Werkstück niemals nach hinten. Falls notwendig, schalten Sie zuerst den Motor ab, ohne die Position des Werkstücks zu verändern.

Längssägen mit (vertikaler) Gehrung

Diese Methode ist praktisch gesehen diesselbe, nur wird hierbei das Sägeblatt in dem gewünschten Winkel eingestellt.



Bei dieser Methode darf die Führungsschiene nur an der rechten Seite des Sägeblatts angebracht sein.

Längssägen von schmalen Werkstücken



Bedenken Sie immer, daß diese Bearbeitung äußerst gefährlich ist.

Treffen Sie alle erforderlichen Vorsorgemaßnahmen und schieben Sie das Werkstück immer mit einem Pushstick und nicht mit bloßen der Hand (bis hinter das Sägeblatt) durch.

Quersägen

- Entfernen Sie die Führungsschiene und setzen Sie die Querführungsschiene im rechten Schlitten ein.
- Stellen Sie die Höhe des Sägeblatts ein (siehe Längssägen).
- Drücken Sie das Werkstück gegen die Querführungsschiene und halten Sie einen Mindestabstand von 2,5 cm zur Vorderseite des Sägeblatts ein.
- Schalten Sie den Motor ein und warten Sie, bis die höchste Drehzahl erreicht ist.
- Drücken Sie das Werkstück gegen die Schiene und den Tisch. Schieben Sie das Holzstück mit leichtem Druck durch das Sägeblatt bis hinter das Sägeblatt. Schalten Sie anschließend den Motor aus und warten Sie, bis das Sägeblatt vollständig zum Stillstand gekommen ist, bevor Sie das Holzstück entfernen.
- Ziehen Sie das Holzstück niemals zurück. Falls notwendig, schalten Sie den Motor ab und warten Sie, ohne die Position zu verändern, bis das Sägeblatt vollständig stillsteht.

Quersägen mit vertikaler Gehrung

Diese Methode ist praktisch dieselbe, nur wird hierbei das Sägeblatt in dem gewünschten Winkel eingestellt.



Legen Sie die Querführungsschiene ausschließlich an die rechte Seite des Sägeblatts. Sägen Sie niemals zu kleine Holzstücke. Führen Sie schwierige Arbeiten niemals mit bloßen Händen aus.

Quersägen mit horizontalem Winkel Bei dieser Methode müssen die Querführungsschienen

im gewünschten Winkel arretiert werden. Drücken Sie das Werkstück kräftig gegen die Querführungsschiene und den Tisch, bevor Sie mit dem Abtrennen beginnen.

5. SERVICE & WARTUNG



Überzeugen Sie sich davon, dass das Gerät nicht stromführend ist, wenn Wartungsarbeiten am Motor durchgeführt werden.

Dieses Gerät kann mit einem Minimum an Wartung lange Zeit funktionieren. Der ständige befriedigende Betrieb hängt von der richtigen Gerätpflege und regelmäßigen Reinigung ab.

UMWELTSCHUTZ

Um Schäden beim Transport zu verhindern, wird das Gerät in einer robusten Verpackung aus größtenteils wiederverwertbaren Materialien ausgeliefert. Nehmen Sie deshalb bitte die Möglichkeiten zur Wiederverwertung der Verpackung wahr.



Schadhafte und/oder ausgesonderte elektrische oder elektronische Geräte müssen an entsprechenden Recyclingstellen eingesammelt werden.

Nur für EG-Länder

Entsorgen Sie Elektrowerkzeuge nicht über den Hausmüll. Entsprechend der Europäischen Richtlinie 2012/19/EU für Elektro- und Elektronikschrott sowie der Einführung in das nationale Recht müssen Elektrowerkzeuge, die nicht mehr im Gebrauch sind, getrennt gesammelt und umweltfreundlich entsorgt werden.

GARANTIE

Die Garantiebestimmungen können der mitgelieferten Garantiekarte entnommen werden.

Das Produkt und das Benutzerhandbuch können geändert werden. Die technischen Daten können ohne Vorankündigung geändert werden.

ZAAGTAFEL TSM1036

Dank u voor het aanschaffen van dit Ferm product. Hierdoor bent u nu in het bezit van een uitstekend product, geleverd door een van de toonaangevende leveranciers van Europa. Alle door Ferm aan u geleverde producten zijn vervaardigd conform de hoogste prestatie- en veiligheidsnormen. Deel van onze filosofie is de uitstekende klantenservice die wordt ondersteund door onze uitgebreide garantie. Wij hopen dat u dit product vele jaren met plezier zult gebruiken.

1. VEILIGHEIDSVOORSCHRIFTEN



Lees de bijgesloten veiligheidsvoorschriften, de aanvullende veiligheidsvoorschriften en de instructies. *Het niet in acht nemen van de veiligheidsvoorschriften en de instructies kan leiden tot elektrische schok, brand en/of ernstig letsel. Bewaar de veiligheidsvoorschriften en de instructies voor toekomstig gebruik.*

De volgende symbolen worden gebruikt in de gebruikershandleiding of op het product:



Lees de gebruikershandleiding.



Gevaar voor lichamelijk letsel, overlijden of schade aan de machine wanneer de instructies in deze handleiding niet worden opgevolgd.



Gevaar voor elektrische schokken.



Houd omstanders op afstand



Draag een stofmasker



Draag oog- en gehoorbescherming



Houd uw handen uit de buurt van de plaats waar gezaagd wordt, terwijl het elektrische gereedschap aan staat. Bij aanraking van het zaagblad bestaat verwondingsgevaar.



Gevarenzone! Houd handen, vingers of armen zo veel mogelijk hier uit de buurt.



Machine van Klasse I Deze machine is ingedeeld in beveiligingsklasse I en moet op een geaard stopcontact worden aangesloten.



Het product is in overeenstemming met de van toepassing zijnde veiligheidsnormen in de Europese richtlijnen.



Let op de afmetingen van het zaagblad. De gatdiameter moet zonder speling op de uitgaande as passen. Indien het gebruik van reduceerstukken nodig is, dient u erop te letten dat de afmetingen van het reduceerstuk passen bij de zaagbladdikte en bij de gatdiameter van het zaagblad evenals bij de diameter van de uitgaande as. Gebruik indien mogelijk de met het zaagblad meegeleverde reduceerstukken. De zaagbladdiameter moet overeenkomen met de informatie op het symbool.

SPECIALE VEILIGHEIDSINSTRUCTIES

Attentie! Om bij het gebruik van elektrisch gereedschap u te beschermen tegen elektrische schokken, schade en brand moeten de volgende basis veiligheidsmaatregelen worden nageleefd. Zorg ervoor dat u alle instructies leest voordat u het elektrische gereedschap gaat gebruiken, bewaar de veiligheidsinstructies zorgvuldig voor later gebruik.

- Houd uw werkplek schoon en opgeruimd
 - Een rommelige werkplek kan leiden tot ongewenste ongelukken.
- Denk aan invloeden van de omgeving.
 - Stel het elektrische gereedschap bloot aan regen.

- Gebruik het elektrische gereedschap niet in een vochtige en natte omgeving.
 - Zorg er voor dat uw werkruimte voldoende verlicht is.
 - Gebruik het elektrische gereedschap niet in een omgeving waar sprake is van brand of explosie gevaar.
3. Om jezelf te beschermen tegen een elektrische schok.
 - Vermijd lichamelijk contact met geaarde delen (bijvoorbeeld leidingen, radiatoren, elektrische fornuizen, koelkasten enz.)
 4. Houd andere mensen uit de buurt.
 - Houd andere mensen en vooral kinderen uit de buurt van uw werkplek.
 5. Berg ongebruikt gereedschap veilig op.
 - Ongebruikt gereedschap dient te worden afgesloten of opgeslagen op een plaats die droog en buiten bereik van kinderen is.
 6. Overbelast uw elektrische gereedschap niet.
 - U werkt beter en veiliger in het aangegeven vermogensbereik.
 7. Gebruik het juiste gereedschap.
 - Gebruik geen machines met een laag vermogen voor zwaar werk.
 - Gebruik elektrisch gereedschap alleen voor de doeleinden waar ze voor bedoeld zijn. U kunt bijvoorbeeld geen boomstronken of een boomstammen zagen met een handzaag.
 8. Draag geschikte kleding.
 - Draag geen loszittende kleding of sierraden die verstrikt kunnen raken in bewegende delen.
 - Als u buiten werkt word antislip schoeisel aanbevolen.
 - Draag een haartje met lang haar.
 9. Gebruik beschermende uitrusting
 - Draag een veiligheidsbril
 - Bij werk waar stof vrij komt, gebruik dan een mondkapje.
 10. Sluit het afzuigstelsysteem aan.
 - Als het afzuigstelsysteem en de stofopvangzak beschikbaar zijn, sluit deze dan correct aan.
 11. Gebruik de kabel niet voor doeleinden waar het niet voor bedoeld is.
 - Gebruik de kabel niet om de stekker uit het stopcontact te trekken. Bescherm de kabel tegen hitte, olie en scherpe randen.
 12. Klem het gereedschap.
 - Gebruikklemen of een bankschroef om het gereedschap vast te klemmen. Het is veiliger dan het vast te houden met uw handen. Vermijd een abnormale lichaamshouding
 - Het zorgt voor stabiliteit en behoud je balans.
 14. Gebruik en onderhoud uw gereedschap met zorg.
 - Houd de zaagbladen schoon en scherp dit verzekerd dat u beter en veiliger kunt werken.
 - Volg de smeer en gereedschap wissel instructies.
 - Controleer de voedingskabel van de machine regelmatig, en laat een gekwalificeerde expert schade herstellen.
 - Controleer de verlengsnoeren regelmatig en vervang de kabels als ze beschadigd zijn.
 - Houd de handgrepen schoon, droog en vrij van vet en olie.
 15. Haal het gereedschap uit het stopcontact.
 - Als u geen gebruik maakt van het gereedschap, wanneer u onderhoud wilt uitvoeren en wanneer u opzetstukken wil wisselen, zoals messen boren en frezen.
 16. Laat de instel sleutel niet in het gereedschap zitten.
 - Controleer dat de instel sleutel en ander gereedschap verwijderd zijn, voordat u de machine aanzet.
 17. Vermijd onbedoeld aanzetten van het apparaat.
 - Controleer dat tijdens het aansluiten van de machine in het stopcontact dat het apparaat uit staat.
 18. Gebruik van de verlengsnoeren buitenshuis.
 - Zorg er voor dat de juiste en goedgekeurde verlengsnoeren worden gebruikt bij het buiten gebruiken van elektrisch gereedschap.

Speciale veiligheidsvoorschriften

1. Bij gebruik van zaagbladen met hardmetalen tanden is het aangeraden bladen met negatieve of matig positieve snijhoek te gebruiken. Gebruik geen zaagbladen met diep uitgesneden tanden. Deze kunnen de beschermkap grijpen.
2. Opgepast: Monteer eerst zorgvuldig alle onderdelen alvorens het werk te starten. Volg de procedure zoals aangegeven.
3. Indien u niet vertrouwd bent met het gebruiken van een dergelijke machine, kunt u zich beter eerst laten inlichten door vaklui, een instructeur of door een technicus.

4. Altijd het werkstuk stevig tegen de zaaggeleider klemmen of aandrukken, alvorens u de bewerking uitvoert. Het gebruik van alle mogelijke klemrichtingen heeft de voorkeur boven het gebruik met de handen.
5. Belangrijk: Wordt er bij de uit te voeren bewerking met de hand vastgehouden, gebruik dan een minimale afstand van 100 mm van het zaagblad.
6. Druk het werkstuk altijd tegen de tafel.
7. Houd het zaagblad scherp en controleer regelmatig of het vrij ronddraait zonder abnormale trillingen. Vervang het zaagblad indien mogelijk.
8. Laat de machine vrij draaien tot het maximum toerental bereikt is, voordat met de bewerking wordt begonnen.
9. Onderhoud de luchtinlaten aan de achterkant en de onderkant van de tafelzaagmachine en elektromotor, dit voor het behoud van de machine. Stofophopingen dienen te worden vermeden.
10. Vergrendel steeds de verschillende gradeninstellingen voordat u begint met het bewerken.
11. Koop alleen aangepaste zaagbladen met een toerental van minimaal 6000 t.p.m.
12. Maak alleen gebruik van het juiste zaagblad. Te kleine of te grote zaagbladen zijn uitermate gevaarlijk.
13. Inspecteer regelmatig het zaagblad op eventuele markeringen. Vervang het zaagblad indien nodig.
14. Ontvet het nieuwe zaagblad en reinig de flenzen voordat u het nieuwe blad monteert. Monteer het blad daarna in de juiste richting en trek de flenzen hard aan door middel van de centrale bout.
15. Alleen originele flenzen gebruiken. Alle anderen zijn niet aangepast.
16. Werk nooit zonder de beschermkap van het zaagblad.
17. Ook het bewegende gedeelte van de beschermkap dient gemonteerd te blijven.
18. Het zaagblad nooit smeren terwijl het draait.
19. Altijd de handen verwijderd houden uit het traject van het zaagblad.
20. Nooit een werkstuk oprapen door met de handen langs, of achter het zaagblad te grijpen.
21. Zorg dat het werkstuk nooit tegen het zaagblad aankomt, voordat de machine aangezet is.
22. Bewerk nooit metaal of steensoorten met deze machine.
23. Gebruik steunmiddelen om lange werkstukken te ondersteunen.
24. Gebruik de machine nooit in een gevaarlijke omgeving, daar waar ontbrandbare gassen of vloeistoffen aanwezig zijn.
25. Nooit de machine onbeheerd achterlaten zonder deze eerst van het stroomnet te ontkoppelen.
26. Hooft u abnormale geluiden, probeer deze dan op te sporen of breng de machine naar een erkend installateur of reparatiebedrijf.
27. Als een onderdeel gebroken of beschadigd is, vervang of repareer dit onmiddellijk.
28. Plaats uzelf nooit in het traject van het zaagblad maar ga links of rechts van de zaagtafel staan.
29. De handen moeten eveneens naast het traject van het zaagblad geplaatst worden.
30. Duw het te zagen materiaal altijd met een pushstick langs de zaag, gebruik nooit uw handen.
31. Plaats het hout altijd aan de voorzijde van de zaagtafel en duw het dan verder naar achteren.
32. Bij verstekzagen gebruikt men enkel de regelbare geleider en verwijdert men de langsgeleider.
33. Gebruik nooit de langsgeleider als lengtemaat bij het afkorten van balken.
34. Bij blokkage van het zaagblad: eerst het toestel uitschakelen voordat u het defect gaat verhelpen.
35. Vermijd dat werkstukken in uw richting teruggeslagen worden door:
 - *Steeds scherpe zaagbladen te gebruiken.*
 - *Niet zagen van te kleine werkstukken.*
 - *Nooit los laten van uw werkstuk voordat het volledig door de zaag is geduwd.*
 - *De geleider steeds parallel aan het zaagblad instellen.*
 - *Nooit de zaagbeveiliging wegnemen.*
36. Zorg voordat u het zaagwerk hervat, dat u stevig staat en dat de handen in de gewenste positie staan.
37. Gebruik nooit verdunningsmiddelen om de machine te reinigen. Gebruik voor het reinigen enkel een vochtige doek.
38. Gebruik geen beschadigde of vervormde zaagbladen.
39. Vervang een versleten tafelinlegstuk.
40. Gebruik alleen door fabrikant voorgeschreven zaagbladen geschikt voor hout of vergelijkbaar

materiaal volgens EN 847-1.

41. Gebruik voor elke te zagen materiaal soort het juiste zaagblad.
42. Sluit uw tafelzaag tijdens het zagen altijd op een afzuiginstallatie aan.
43. Zorg dat het spouwmes altijd goed is afgesteld.
44. Stel de afscherming van het zaagblad altijd correct af.
45. Wees voorzichtig bij het maken van gleuven. Let er bij het wisselen van het zaagblad op dat de zaagbreedte niet kleiner en de bladdikte van het zaagblad niet groter is dan de dikte van het spouwmes.

Draag persoonlijke beschermingsmiddelen:

- Gehoorbescherming om het risico van gehoorbeschadiging te verkleinen
- Bescherming van de ogen
- Mondkapje om het risico van schadelijk stof tegen te gaan
- Handschoenen bij het hanteren van de messen en de ruwe materialen



Waarschuwing! Gebruik geen HSS zaagbladen.

- Steek de push-stick bij niet gebruik in de houder.
- Gebruik een push-stick om het werkstuk voorbij het zaagblad te duwen.



Waarschuwing! Gebruik de zaag niet voorspanningen of groeven.

- Gebruik uitsluitend zaagbladen, met een maximumsnelheid van tenminste de snelheid van de zaagmachine dat geschikt is voor het te zagen materiaal.
- Tijdens het transport, moet het bovenste deel van het zaagblad worden beschermd door de kap.

De machine onmiddellijk uitzetten bij:

- Defecte netstekker, netsnoer of snoerbeschadiging.
- Defecte schakelaar.
- Oververhitting van de machine
- Rook of stank van verschroeide isolatie.

Elektrische veiligheid

Neem bij het gebruik van elektrische machines altijd de plaatselijk geldende veiligheidsvoorschriften in acht in verband met brandgevaar, gevaar voor elektrische schokken en lichamelijk letsel.

Lees behalve onderstaande instructies ook de veiligheidsvoorschriften in het apart bijgevoegde veiligheidskatern door. Bewaar de instructies zorgvuldig!



Controleer altijd of uw netspanning overeenkomt met de waarde op het typeplaatje.

Bij vervanging van snoeren of stekkers

Gooi oude snoeren of stekkers direct weg zodra ze door nieuwe exemplaren zijn vervangen. Het is gevaarlijk om de stekker van een los snoer in het stopcontact te steken.

Bij gebruik van verlengsnoeren

- Gebruik als voeding voor dit apparaat steeds een onbelaste lijn en/of een verlengsnoer met geleiders van minimaal 1,5 mm², en beveiligd door een 16 A veiligheid. Let op dat dit verlengsnoer niet langer is dan 20 meter.
- Dit apparaat kan geschakeld worden op het eenfasige net (230-240 V~, 50 Hz). Twijfelt u aan de aard van de stroomvoorziening, raadpleeg dan eerst een electriciën.

2. TECHNISCHE INFORMATIE

Bedoeld gebruik

Dit elektrische gereedschap is bedoeld als stationaire machine voor het maken van langs en dwarszaagsnedes in zacht en hard hout dat vrij is van vervuiling als spijkers, schroeven en beton.

Technische specificaties

Modelnr.	TSM1036
Voltage	230-240V~
Frequentie	50 Hz
Opgenomen vermogen	800W
Onbelast toerental	2950/min
Hoek voor afschuinen	0° <> +45°
Zaagblad afmeting	Ø200×2,4 × Ø 16mm
Aantal tanden	24T

Max. werkstukhoogte bij 90°	43 mm
Max. werkstukhoogte bij 45°	27 mm
Dikte spouwmes	2.2 mm
Dikte basis zaagblad	1.8 mm
Gewicht	13 kg
L _{pa} (geluidsdrumniveau)	99.6 +3 dB(A)
L _{wa} (geluidsdrumniveau)	112.6 +3 dB(A)
Trillingswaarde	<2.5 m/s ²

Trillingsniveau

Het trillingsemissieniveau, dat in deze gebruiksaanwijzing wordt vermeld, is gemeten in overeenstemming met een gestandaardiseerde test volgens EN 60745; deze mag worden gebruikt om twee machines met elkaar te vergelijken en als voorlopige beoordeling van de blootstelling aan trilling bij gebruik van de machine voor de vermelde toepassingen

- gebruik van de machine voor andere toepassingen, of met andere of slecht onderhouden accessoires, kan het blootstellingsniveau aanzienlijk verhogen
- wanneer de machine is uitgeschakeld of wanneer deze loopt maar geen werk verricht, kan dit het blootstellingsniveau aanzienlijk reduceren

Bescherm uzelf tegen de gevolgen van trilling door de machine en de accessoires te onderhouden, uw handen warm te houden en uw werkwijze te organiseren.

BESCHRIJVING

De nummers in de tekst verwijzen naar de diagrammen op pagina 2-6.

1. Zaagtafel
2. Zaagbladbeschermer
3. Duwhout
4. Zaagblad
5. Spouwmes
6. Tafelinzetstuk
7. Aan/uitschakelaar
8. Voorste knop voor hoekafstelling
9. Achterste knop voor hoekafstelling
10. Hoekschaalverdeling
11. Aan/Uit-schakelaar
12. Knop voor parallelle geleiding
13. Indicator hoekschaalverdeling
14. Verstekgeleider
15. Moer voor zaagblad
16. Stofzuigeradapter

17. Verzonken schroef
18. L-vormige uitsparing in het spouwmes
19. Bevestigingsschroef
20. Montagegaten
21. Groef in tafelloppervlak
22. Liniaal
23. Verlengstuk voor verstekgeleiding
24. Knop voor verstekgeleiding
25. Stofafzuigpoort
26. Klemplaat voor parallelle geleiding
27. Ring voor parallelle geleiding
28. Knop voor verstekhoek
29. Grote steeksleutel
30. Kleine steeksleutel
31. Zaagbladkap
32. Kruiskopschroef voor zaagbladkap
33. Knop voor beschermkap
34. Moer voor beschermkap
35. Slotbout voor beschermkap
36. Vleugelmoeren

3. ASSEMBLAGE



Voor u werk aan de machine uitvoert, moet u eerst de stekker uit het stopcontact trekken.

De zaagbladbeschermer plaatsen / verwijderen

Afb. A, B, C

1. Open de knop (33) zo ver mogelijk, tot de knop (33) de moer (34) raakt, zoals in afbeelding B wordt getoond. Let op, verander niet de stand van de moer (34).
2. Duw de slotbout (35) zo ver mogelijk door de zaagbladbeschermer (2), zo dat het vierkanten profiel van de slotbout (35) uit de zaagbladbeschermer (2) steekt.
3. Monteer de zaagbladbeschermer (2) met de slotbout (35) in de L-vormige uitsparing (18) op het Spouwmes (5): eerst naar voren en dan omlaag, zoals wordt getoond in afbeelding C.
4. Duw vervolgens de slotbout (35) weer terug, met het vierkanten profiel in de uitsparing in de zaagbladbeschermer (2).
5. Zet de knop (33) zo ver mogelijk vast. Let op: de bovenste zaagbladbeschermer moet vrij kunnen bewegen. Demontage wordt in omgekeerde volgorde uitgevoerd.

De tafelinzet vervangen

Afb. D



Een versleten of beschadigd tafelinzetstuk (6) moet onmiddellijk worden vervangen.

Het tafelinzetstuk moet worden vervangen als het is versleten of beschadigd. Anders zal het risico van persoonlijk letsel toenemen.

1. Verwijder de zaagbladbeschermer (2), op de wijze die in de vorige alinea wordt uitgelegd.
2. Draai de verzonken schroeven (17) los.
3. Vervang het tafelinzetstuk (6). Ga voor het monteren van het nieuwe tafelinzetstuk in omgekeerde volgorde te werk.

Het spouwmes afstellen

Afb. E, F

1. Verwijder de zaagbladbeschermer (2), op de wijze die in de vorige alinea wordt uitgelegd.
2. Draai de schroeven (19) los en verwijder het spouwmes (5). De afstand tussen het zaagblad (4) en het spouwmes (5) moet 3-8 mm zijn, zoals wordt getoond in afbeelding F.
3. Controleer dat het spouwmes recht is en centraal achter het zaagblad (4) is geplaatst.

Het zaagblad monteren / verwisselen

Afb. G, H



Draag beschermende handschoenen wanneer u het zaagblad monteert. Gevaar voor persoonlijk letsel wanneer u het zaagblad aanraakt.



Gebruik alleen zaagbladen waarvan de typische gegevens overeenkomen met die in de bedieningsinstructies. Gebruik alleen zaagbladen waarop een snelheid wordt vermeld die gelijk is of hoger dan de snelheid die op de machine wordt vermeld.



Gebruik de machine onder geen enkele omstandigheid met slijpschijven als zaaggereedschap.

1. Verwijder de zaagbladkap (31) door de kruiskopschroeven (32) los te draaien.
2. Draai de moer los door de grote steeksleutel (29) op de moer te zetten en door met de kleine steeksleutel (30) de motoras tegen te houden.

Let op: draai de moer in de rotatierichting van het zaagblad.

3. Verwijder de buitenste flens en verwijder het zaagblad (4).
4. Maak de flenzen van het zaagblad zorgvuldig schoon voor u het nieuwe zaagblad plaatst. Ga voor het plaatsen en vastzetten van het nieuwe zaagblad in omgekeerde volgorde te werk.



De pijl op het zaagblad geeft de draairichting aan. Deze moet naar dezelfde richting wijzen als de pijl op de machine, de tanden van het zaagblad moeten naar beneden wijzen aan de voorkant van de zaag.

- Controleer dat de veiligheidsvoorzieningen goed werken, voor u weer met de zaag begint te werken.
- Waarschuwing! Controleer steeds na het wisselen van het zaagblad dat de zaagbladbeschermer (2) naar behoren open gaat en sluit. Controleer ook of het zaagblad (4) wel vrij kan bewegen in de zaagbladbeschermer (2).
- Waarschuwing! Controleer steeds na het wisselen van het zaagblad (4) vrij kan bewegen in het tafelinzetstuk (6), in verticale positie maar ook in een hoek van 45°.

Vastzetten op een werkbank

Afb. A

Met de montagegaten (20) in het machineframe kan de machine op een stevige, vlakke ondergrond, zoals een werkbank, worden vastgezet. In gespecialiseerde winkels voor ijzerwaren is het geschikte montage materiaal (schroeven, enz.) verkrijgbaar.

Stofafzuiging

Afb. I

De zaag is voorzien van een stofafzuigstelsel.

- Steek de stofzuigadapter (16) in de stofafzuigpoort (25).
- Wij adviseren ten eerste een systeem voor stofafzuiging te gebruiken, dat geschikt is voor het materiaal, wanneer dat maar mogelijk is.
- Controleer regelmatig de afzuigkanalen en maak ze regelmatig schoon.

Opslag van losse onderdelen

Afb. A. I

Wanneer u de aanduwstok (3), Parallele geleider (7) en de Verstekgeleider (14) niet gebruikt, kunt u ze in en op de machine bevestigen. De aanduwstok (3) kan in de behuizing van de machine worden opgeborgen, zoals in afbeelding A wordt getoond. De Verstekgeleider (14) kunt u met de vleugelmoer (36) op de behuizing van de machine vastzetten, zoals in afbeelding I wordt getoond.

4. OPERATION

Aan-/Uitschakelen

Afb. A

- Zet de machine in werking door de schakelaar in stand '1' te zetten.
- U stelt de machine buiten werking door dezelfde schakelaar in stand '0' te drukken
- Houd altijd de stroomkabel weg bij bewegende onderdelen.

Parallele geleider

Afb. A, J, K

Wanneer stroken wilt zagen uit plaatmateriaal, moet u de Parallele geleider (7) gebruiken.

- Monteer de Parallele geleider (7) met behulp van de klemplaat (26), ringen (27) en knoppen (12) op het oppervlak (1) van de tafel: Buiten de zaagtafel: de stelschroef (12) en ring (27); Binnen de zaagtafel: klemplaat (26).

Gebruikersstanden

De meegeleverde Parallele geleider (7) heeft twee verschillende hoogten voor de geleider, één aan iedere zijde van de geleider. Gebruik de stand met de kleinste hoogte voor vlakke werkstukken, de hoogste stand voor hoge werkstukken.

1. U kunt de hoogte van de stop veranderen door de knoppen (12) op de Parallele geleider (7) te openen en de geleider van de tafel te verwijderen.
2. Draai de Parallele geleider (7) 180°, zodat de voorzijde naar achteren wijst.
3. Draai de knoppen (12) weer vast.

Zaagbreedte

U kunt de Parallele geleider (7) aan beide zijden van het oppervlak (1) van de tafel monteren.

1. Maak de twee knoppen (12).

2. Met behulp van de liniaal (22) op het oppervlak (1) van de tafel kunt u de Parallele geleider (7) op het gewenste formaat afstellen.
3. Zet de twee knoppen (12) vast en bevestig zo de Parallele geleider (7).
4. Meet de zaagbreedte niet alleen met de schaalverdeling maar ook tussen het zaagblad en de Parallele geleider. Maak na een nieuwe instelling een proefzaagsnede en controleer de afmetingen.

Verstekgeleider

Afb. L

Voor het afkorten van houten delen moet u de Verstekgeleider (14) gebruiken.

1. Bevestig het verlengstuk (23) van de verstekgeleider op de Verstekgeleider (14) met de bijbehorende knoppen (24).
2. Duw de verstekgeleider (14) in de groef (21) van het oppervlak van de tafel.
3. Maak de knop voor de verstekhoek (28) los.
4. Draai het verlengstuk (23) van de verstekgeleider tot de pijlen de gewenste hoek aanwijzen.
5. Maak de knop voor de verstekhoek (28) weer vast.
6. Controleer de afstand tussen het verlengstuk (23) van de verstekgeleider en het zaagblad (4).

Waarschuwing! Duw het verlengstuk (23) van de verstekgeleider niet te dicht naar het zaagblad toe. De afstand tussen het verlengstuk (26) van de verstekgeleider en het zaagblad (4) moet ongev. 2 cm zijn. Maak, als dat nodig is, de twee knoppen voor de verstekgeleider (24) los en stel het verlengstuk (23) van de verstekgeleider af. Zet daarna de knoppen voor de verstekgeleider (24) weer vast.

Afstelling van de hoek

Afb. A. I

1. Maak zowel de voorste knop voor hoekafstelling (8) als de achterste knop voor hoekafstelling (9) los.
2. Stel de hoek van het zaagblad af door de twee knoppen (8, 9) te verschuiven tot de aanduiding (13) overeenkomt met de gewenste hoek op de schaalverdeling (10).
3. Maak zowel de voorste knop voor hoekafstelling (8) als de achterste knop voor hoekafstelling (9) vast.

Werkinstructies

Er zijn twee zaagmethoden:

- In de lengte zagen (Afb. K)
Het werkstuk in de richting van de nerf van het hout zagen
- Afkorten of afzagen, met de verstekgeleider (Afb. L)
Het werkstuk overdwars afzagen



Bij beide zaagmethoden is het zaak steeds gebruik te maken van een van de geleiders. Zaag dus nooit zonder geleider!

Pas op! Voordat u met zagen begint, controleer eerst het volgende:

1. Zit het zaagblad vast?
2. Zitten alle blokkeerhendels vast?
3. Staat de langsgeleider parallel met het zaagblad?
4. Werkt de beschermkap correct?
5. Draagt u een veiligheidsbril?
6. Loopt het zaagblad nergens aan?



Het is absoluut noodzakelijk deze punten in acht te nemen voordat u aan het werk gaat!

Langszagen

- Blokkeer de langsgeleider op de juiste maatpositie en verwijder de afkortgeleider uit de tafelslede.
- Druk het hout licht naar de tafel toe en laat het tegen de afkortgeleider aanglijden.



Blijf minimaal 3 cm van de voorkant van het zaagblad weg alvorens u de motor aanzet. De kant van het hout dat tegen de langsgeleider licht moet helemaal recht zijn. Houd de handen minstens 10 cm. weg uit het te volgen zaagspoor.

- Zet de motor aan en wacht tot het zaagblad het maximum toerental heeft bereikt voordat u met het zaagwerk begint.
- Terwijl u het hout tegen de tafel en langsgeleider drukt, kunt u het hout zachtjes door het zaagblad schuiven zonder te forceren.
- Trek nooit het werkstuk terug naar achteren. Indien nodig, schakel dan eerst de motor uit ZONDER de positie van het werkstuk te wijzigen.

Langszagen bij (verticaal) verstek

Deze methode is praktisch hetzelfde, behalve dat het zaagblad in de gewenste hoek wordt gebracht.



Bij dit soort methoden mag de langsgeleider uitsluitend langs de rechterkant van het zaagblad staan.

Langszagen van smalle werkstukken

Ga ervan uit dat deze bewerking uitermate gevaarlijk is.



Neem alle nodige voorzorgsmaatregelen en duw het werkstuk steeds door (tot achter het zaagblad) met een pushstick in plaats van met de hand.

Dwarszagen

- Verwijder de langsgeleider en breng de dwarsgeleider in de rechterslede aan.
- Regel de hoogte van het zaagblad (zie langszagen).
- Druk het werkstuk tegen de dwarsgeleider en houd minstens 2,5 cm afstand van de voorkant van het zaagblad.
- Zet de motor aan en wacht tot het maximum toerental bereikt is.
- Druk het werkstuk tegen de geleider en de tafel. Schuif het hout zachtjes door het zaagblad. Ga door tot achter het zaagblad. Zet daarna de motor af en houd deze positie aan totdat het zaagblad volledig stilstaat voordat u het hout wegneemt.
- Trek nooit het hout terug. Indien nodig, zet de motor dan af en houd de positie vast totdat het zaagblad volledig stilstaat.

Dwarszagen bij verticaal verstek

Deze methode is praktisch hetzelfde, behalve dat het zaagblad in de gewenste hoek wordt gebracht.



Plaats de dwarsgeleider uitsluitend aan de rechterzijde van het zaagblad. Nooit te kleine stukken hout zagen. Gebruik nooit de handen om moeilijke operaties uit te voeren.

Dwarszagen bij horizontaal verstek

Bij deze methode is het zaak dat men nu de dwarsgeleider in de gewenste hoek blokkeert. Houd het werkstuk krachtig tegen de dwarsgeleider en de tafel gedrukt voordat u begint met afkorten.

5. SERVICE & ONDERHOUD

Vergewis u ervan dat de machine van het lichtnet losgekoppeld is wanneer er onderhoudswerkzaamheden aan de motor uitgevoerd worden.

Deze machine is ontworpen om vele jaren mee te gaan met een minimum aan onderhoud. Regelmatige reiniging en een adequate zorg zijn bepalend voor een continu naar tevredenheid werkende machine.

MILIEU

Om schade tijdens transport te voorkomen, wordt het apparaat in een stevige verpakking geleverd die voor het grootste gedeelte uit opnieuw te gebruiken materiaal bestaat. Maak daarom a.u.b. gebruik van de mogelijkheid om het verpakkingsmateriaal te recyclen.



Defecte en/of afgedankte elektrische of elektronische apparatuur moet bij een daarvoor bedoeld recyclingpunt ingeleverd worden.

Uitsluitend voor EG-landen

Werp elektrisch gereedschap niet weg bij het huisvuil. Volgens de Europese Richtlijn 2012/19/EU voor Afgedankte Elektrische en Elektronische Apparatuur en de implementatie ervan in nationaal recht moet niet langer te gebruiken elektrisch gereedschap gescheiden worden verzameld en op een milieuvriendelijke wijze worden verwerkt.

GARANTIE

Voor de garantievoorwaarden verwijzen wij u naar het meegeleverde garantiebewijs.

Het product en de gebruikershandleiding zijn onderhevig aan wijzigingen. Specificaties kunnen zonder opgaaf van redenen worden gewijzigd.

SCIE CIRCULAIRE À TABLE TSM1036

Merci d'avoir choisi ce produit Ferm. Vous avez fait le choix d'un produit de qualité, fourni par l'un des principaux fournisseurs européens. Tous les produits vendus par Ferm sont fabriqués conformément aux normes les plus strictes en matière de performances et de sécurité. Renforcée par notre garantie très complète, l'excellence de notre service clientèle forme également partie intégrante de notre philosophie. Nous espérons que vous profiterez longtemps de ce produit.

1. CONSIGNES DE SÉCURITÉ



Consultez les avertissements de sécurité, les avertissements de sécurité supplémentaires ainsi que les

instructions fournis ici. Le non respect des avertissements de sécurité et des instructions peut occasionner une électrocution, un incendie ou des blessures graves. Conservez les avertissements de sécurité et les instructions pour référence future.

Les symboles suivants sont utilisés dans le manuel d'utilisation ou apposés sur le produit:



Lisez le manuel d'utilisation.



Signale un risque de blessures, un danger mortel ou un risque d'endommagement de l'outil en cas de non-respect des instructions de ce manuel.



Risque d'électrocution.



Ne laissez aucune personne s'approcher



Portez un masque anti-poussière



Protégez-vous les yeux et les oreilles



N'approchez en aucun cas les mains de la zone de sciage pendant le fonctionnement de l'outil électroportatif. Il y a risque de blessure grave en cas de contact avec la lame de scie.



Zone dangereuse ! Gardez les mains, doigts ou bras éloignés de cette zone.



Machine de classe I La classe de protection de cet équipement est la classe I. Il doit être branché dans une prise de courant reliée à la terre.



Le produit est conforme aux normes de sécurité applicables des directives européennes.



Faites attention aux dimensions de la lame de scie. Le diamètre de l'alésage central doit correspondre exactement à celui de la broche (pas de jeu). Lorsqu'il est nécessaire d'utiliser des bagues de réduction, veillez à ce que les dimensions de la bague de réduction soient adaptées à l'épaisseur du corps de lame, au diamètre de l'alésage de la lame et au diamètre de la broche de l'outil. Utilisez dans la mesure du possible les bagues de réduction fournies avec la lame. Le diamètre de lame doit correspondre à l'indication du pictogramme.

CONSIGNES DE SÉCURITÉ PARTICULIÈRES

ATTENTION! Lors de l'utilisation d'outils électriques pour protéger contre les chocs électriques, des blessures et/ou de brûlure, les mesures de sécurité de base suivantes doivent être respectées. Assurez-vous de lire toutes ces instructions avant d'utiliser cet outil électrique, gardez le livret de la sécurité et de la préserver ainsi pour référence ultérieure.

1. Toujours gardez votre lieu de travail propre et bien rangé.
 - le lieu de travail en désordre peut conduire à des accidents non désirés.
2. Tenez compte des influences environnementales.
 - N'exposez pas l'outil électrique à la pluie.
 - N'utilisez pas l'outil électrique dans un environnement humide ou mouillé.
 - Assurez-vous que votre espace de travail dispose d'un éclairage suffisant.
 - N'utilisez pas l'outil de puissance dans zones avec risque d'incendie ou d'explosion.
3. Pour vous protéger d'un choc électrique.
 - Évitez tout contact corporel avec des surfaces reliées à la terre (par exemple les tuyaux, radiateurs, cuisinières électriques, réfrigérateurs, etc.).
4. Gardez les autres personnes à l'écart
 - Gardez les autres personnes à l'écart en particulier les enfants, ne les laissez pas toucher votre outil électrique ou du câble et gardez les enfants loin de votre zone de travail.
5. Stockez les outils électriques inutilisés en toute sécurité.
 - les outils électriques non utilisés doivent être enfermés ou stockés dans un endroit sec et hors de portée des enfants.
6. Ne surchargez pas votre outil électrique.
 - Vous travaillez mieux et plus sûrement dans la plage de puissance indiquée.
7. Utilisez l'outil de puissance adéquatement.
 - N'utilisez pas des outils de faible puissance pour les travaux lourds
 - N'utilisez pas l'outil électrique à des fins qui ne sont pas destinés. Par exemple, ne coupez pas des branches d'arbre ou des morceaux de bois avec une scie circulaire à main.
8. Portez des vêtements appropriés.
 - Ne portez pas de vêtements larges ou de bijoux ; ils pourraient être happés par les pièces en mouvement.
 - Lorsque vous travaillez à l'extérieur des chaussures antidérapantes sont recommandé.
 - Pour les cheveux longs, portez un filet à cheveux.
9. Utilisez un équipement de protection.
 - Portez des lunettes de protection
 - Quand vous faites un travail qui génère de la poussière, utilisez un masque respiratoire
10. Branchez l'appareil à vide
 - Si la connexion à vide et le receveur sont disponibles, alors vous savez que ceux-ci sont connectés et correctement utilisés.
11. N'utilisez pas le câble à des fins qu'il ne soit pas destiné.
 - N'utilisez pas le câble au connecteur pour le sortir de la prise. Protégez le câble de la chaleur, de l'huile et des arêtes vives.
12. Fixez l'outil de puissance.
 - Utilisez des pinces ou un étau pour maintenir l'outil de puissance. Il est plus sûr que le tenant avec votre main.
13. Évitez une posture anormale.
 - Il assure la stabilité et vous permet de rester équilibré en tout temps.
14. Conservez et maintenez les outils avec soin.
 - Gardez les outils de coupe aiguisés et propres, ce qui garantit que vous travaillez mieux et qu'il est aussi sûr que possible.
 - Suivez les instructions de lubrification et de changement d'outil.
 - Vérifiez le câble de connexion de l'outil de puissance régulièrement et faites réparer votre outil par un spécialiste.
 - Vérifiez les câbles d'extension régulièrement et les remplacez si elles sont défectueuses.
 - Gardez les poignées propres, sèches et sauf graisse ou huile.
15. Débranchez la fiche de la prise.
 - Lorsque vous ne l'utilisez l'outil de puissance, lorsque vous effectuez la maintenance et lorsque vous changez vos outils tels que les lames, les forets et les fraises.
16. Ne laissez pas la clé à l'intérieur de l'outil.
 - Avant de mettre en marche, assurez-vous que les clés et les outils de configuration ont été effacés.
17. Évitez de commutation involontairement l'outil en marche.
 - Assurez-vous que lors de la connexion de la fiche dans la prise que l'alimentation est coupée.
18. Utilisez les câbles d'extension tout en plein air.
 - Lorsque vous utilisez l'outil de puissance font extérieur, veillez à utiliser le câble d'extension marquée appropriée et approuvée.

Prescriptions de sécurité spéciales

1. Pour l'utilisation de lames de scie à dents en métal dur, il est recommandé d'utiliser des lames à angle de coupe négatif ou modérément positif. N'utilisez pas de lames de scie à dents profondément échancrées car celles-ci peuvent agripper le capot de protection.
2. Attention : Montez d'abord soigneusement toutes les pièces avant de commencer le travail. Suivez la procédure indiquée.
3. Dans le cas où vous n'êtes pas habitué à l'utilisation d'une machine telle que celle-ci, nous vous conseillons de demander des instructions à des personnes compétentes en la matière, à un instructeur ou à un technicien.
4. Coincez ou appuyez toujours fortement la pièce à usiner contre le guide de sciage, avant d'exécuter les travaux. Il est préférable d'utiliser toutes sortes de dispositifs de serrage au lieu d'utiliser les mains.
5. Important : si, pendant les travaux, vous tenez la pièce à usiner à la main, observez alors une distance minimale de la lame de scie de 100 mm.
6. Pressez toujours la pièce à usiner contre la table.
7. Veillez à ce que la lame de scie soit toujours affûtée et contrôlez régulièrement si elle tourne librement sans vibrations anormales. Remplacez la lame de scie si nécessaire.
8. Faites tourner la machine librement jusqu'à ce qu'elle ait atteint le plein régime, avant de commencer le travail de sciage.
9. Entretenez les entrées d'air à l'arrière et en-dessous de la scie circulaire et de l'électromoteur, pour la conservation de la machine. Evitez les accumulations de poussière.
10. Verrouillez à chaque fois les différents réglages de graduations, avant de commencer le travail de sciage.
11. Achetez uniquement des lames de scie adaptées, avec un régime minimum de 6000 t.p.m.
12. Utilisez uniquement la lame de scie adéquate. Des lames de scie trop petites ou trop grandes sont extrêmement dangereuses.
13. Inspectez régulièrement la lame de scie pour détecter des défauts éventuels. Si nécessaire, remplacez la lame de scie.
14. Nettoyez les brides et dégraissez la nouvelle lame de scie avant de monter cette dernière. Ensuite montez la lame dans la direction correcte et tirez fortement les brides à l'aide du boulon central.
15. Utilisez uniquement des brides d'origine. Toutes les autres brides ne sont pas adaptées.
16. Ne travaillez jamais sans le capot de protection de la lame de scie.
17. La partie mouvante du capot de protection doit, elle aussi, rester fixée.
18. Ne graissez jamais la lame de scie pendant qu'elle tourne.
19. Tenez toujours vos mains loin du trajet de la lame de scie.
20. Ne ramassez jamais une pièce à usiner en tendant les mains le long ou vers l'arrière de la lame de scie.
21. Veillez à ce que la pièce à usiner ne touche jamais la lame de scie, avant que la machine ne soit mise en marche.
22. N'utilisez jamais cette machine pour travailler du métal ou des sortes de pierres.
23. Utilisez des supports pour soutenir des pièces à usiner longues.
24. N'utilisez jamais la machine dans un environnement dangereux, là où il y a des gaz ou des liquides inflammables.
25. N'abandonnez jamais la machine sans l'avoir auparavant déconnectée du circuit électrique.
26. S'il se produit des bruits anormaux, essayez de les détecter ou apportez la machine chez un installateur ou une entreprise de réparation reconnu(e).
27. Dans le cas de rupture ou de détérioration d'une pièce, remplacez-la ou réparez-la immédiatement.
28. Ne vous placez jamais dans le trajet de la lame de scie, mais tenez-vous à gauche ou à droite de la table de sciage.
29. Les mains aussi doivent être placées à côté du trajet de la lame de scie.
30. Pour pousser le bois dans la scie, utilisez toujours un long morceau de bois et pas vos mains.
31. Placez toujours le bois sur le devant de la table à scier et poussez-le alors vers l'arrière.
32. Pour le sciage à onglet utilisez seulement le guide réglable et retirez le guide de refend.
33. N'utilisez jamais le guide de refend comme mesure de longueur lors du tronçonnage de poutres.
34. Dans le cas de blocage de la lame de scie: coupez d'abord le courant avant de remédier à la panne.

35. Evitez que les pièces à usiner soient balancées dans votre direction en :
- *Utilisant toujours des lames de scie bien affûtées.*
 - *Ne sciant pas de pièces trop petites.*
 - *Ne lâchant jamais votre pièce à usiner avant qu'elle ne soit entièrement passée par la scie.*
 - *Réglant toujours le guide en parallèle à la lame de scie.*
 - *Ne retirant jamais la protection de la scie.*
36. Avant de reprendre votre travail de sciage, veillez à avoir les pieds solidement sur le sol et à placer vos mains dans la position désirée.
37. N'utilisez jamais de diluants pour le nettoyage de la machine. Pour cela utilisez uniquement un chiffon humide.
38. N'utilisez pas de lames de scie endommagées ou déformées.
39. Remplacez les cales d'établi lorsqu'elles sont usées.
40. Seulement utilisation spécifiées par le fabricant de lames de scie qui répondent quand ils sont destinés à travailler les matériaux en bois ou similaires, EN 847-1.
41. Veillez à choisir la lame de scie appropriée en fonction du matériau à couper.
42. Lorsque vous sciez, connectez un dispositif d'aspiration de la poussière.
43. Utilisez et corrigez le réglage du guide latéral.
44. Utilisez et corrigez le réglage de la partie quard supérieure de la lame de scie.
45. Faites très attention lorsque vous découpez une fente.

Assurez-vous, au moment de remplacer la lame de scie, à ne pas installer une lame de largeur inférieure et d'épaisseur supérieure à l'épaisseur de couteau diviseur.

Portez des équipements de protection individuelle, notamment :

- Des protections auditives afin de réduire le risque de perte de l'ouïe
- Une protection oculaire
- Une protection respiratoire afin de réduire le risque lié à la nocivité des poussières
- Des gants lorsque vous manipulez les lames et les matériaux bruts (recommandation : les lames de scie doivent, dans la mesure du possible, être transportées dans un contenant)



Avertissement ! N'utilisez pas de lame HSS.

- Insérez la tige poussoir dans son support lorsqu'elle n'est pas utilisée.
- Utilisez la tige poussoir ou un bloc pour guider la pièce à scier.



Avertissement ! N'utilisez pas la scie pour le bouvetage ou le rainurage.

- N'utilisez que des lames de scie dont la vitesse maximum correspond au moins à la vitesse indiquée sur la scie et étant adaptées à la matière devant être sciée.
- Pendant le transport, la partie supérieure de la lame de scie doit être recouverte avec le protège-lame.

Arrêtez immédiatement l'appareil en cas :

- Défectuosité de la fiche, du fil d'alimentation ou si le fil a été endommagé.
- Commutateur défectueux.
- Surchauffage de la scie à circulaire.
- Fumée ou mauvaise odeur causée par des

Sécurité électrique

Lors d'utilisation de machines électriques, observez les consignes de sécurité locales en vigueur en matière de risque d'incendie, de chocs électriques et de lésion corporelle. En plus des instructions ci-dessous, lisez entièrement les consignes de sécurité contenues dans le cahier de sécurité fourni à part. Conservez soigneusement ces instructions!



Vérifiez toujours si la tension de votre réseau correspond à la valeur mentionnée sur la plaque signalétique.

En cas de changement de câbles ou de fiches Jetez immédiatement les câbles ou fiches usagés dès qu'ils sont remplacés par de nouveaux exemplaires. Il est dangereux de brancher la fiche d'un câble défectueux dans une prise de courant.

En cas d'emploi de câbles prolongateurs

- Pour l'alimentation de cet appareil, utilisez toujours une conduite non-chargée et/ou une rallonge avec conducteurs d'au moins 1,5 mm² et sécurisées par un fusible de 16 A.

Veillez à ce que la longueur de cette rallonge n'excède pas les 20 mètres.

- Cet appareil peut être mis en circuit sur le réseau monophasé (230-240 V~ 50 Hz). Si vous avez un doute sur la nature du courant, consultez d'abord votre électricien.

2. INFORMATIONS RELATIVES À LA MACHINE

Utilisation prévue

Cet outil électrique est prévu pour fonctionner comme une machine stationnaire pour effectuer des coupes longitudinales ou transversales dans du bois dur et tendre exempt de tous corps étrangers (clous, vis, ciment...)

Spécifications techniques

N° de modèle	TSM1036
Tension	230-240V~
Fréquence	50 Hz
Puissance consommée	800W
Vitesse à vide	2950/min
Angle de biseautage	0° <> +45°
Dimension du scie	Ø200×2,4 ×Ø 16mm
Dents de la lame scie	24T
Max. hauteur de la pièce à 90°	43 mm
Max. hauteur de la pièce à 45°	27 mm
Épaisseur du guide latéral	2.2 mm
Épaisseur du corps lame	1.8 mm
Poids	13 kg
Lpa (niv.pression acoustique)	99.6 +3 dB(A)
Lwa (niv.puissance acoustique)	112.6 +3 dB(A)
Valeurs de vibrations	<2.5 m/s ²

Niveau de vibrations

Le niveau des vibrations émises, indiqué dans ce manuel, a été mesuré conformément à la procédure décrite par la norme EN60745. Il peut être utilisé pour comparer deux outils ou pour réaliser une estimation préalable de l'exposition aux vibrations lors de l'utilisation de l'outil pour les applications mentionnées.

- L'utilisation de l'outil dans d'autres applications ou avec des accessoires différents ou mal entretenus peut considérablement augmenter le niveau d'exposition.
- La mise hors tension de l'outil et sa non-utilisation pendant qu'il est allumé peuvent considérablement réduire le niveau d'exposition.

Protégez-vous contre les effets des vibrations par un entretien correct de l'outil et de ses accessoires, en vous échauffant les mains et en organisant vos rythmes de travail.

DESCRIPTION

Les numéros dans le texte se rapportent aux schémas de la page 2-6.

1. Surface de la table
2. Carter de protection de la lame
3. Poussoir
4. Lame de la scie
5. Couteau diviseur
6. Insert du plateau
7. Parallel guide
8. Bouton avant pour le réglage de l'angle
9. Bouton arrière pour le réglage de l'angle
- 10.Échelle de graduation de l'inclinaison
- 11.Interrupteur marche/arrêt
- 12.Bouton du guide parallèle
- 13.Repère de l'échelle de graduation de l'inclinaison
- 14.Guidé à onglet
- 15.Écrou de la lame de scie
- 16.Adaptateur pour aspirateur
- 17.Vis plate
- 18.Renforcement en forme de L dans le couteau diviseur
- 19.Vis de fixation
- 20.Trous de fixation
- 21.Rainure sur la surface du plateau
- 22.Règle
- 23.Rallonge du guide à onglet
- 24.Bouton du guide à onglet
- 25.Port d'extraction des poussières
- 26.Plaque de fixation du guide parallèle
- 27.Rondelle du guide parallèle
- 28.Bouton pour l'angle d'onglet
- 29.Grande clé
- 30.Petite clé
- 31.Cache-lame
- 32.Vis Phillips pour le couvre-lame
- 33.Bouton du carter de protection
- 34.Écrou du carter de protection
- 35.Boulon de carrosserie pour le carter de protection
- 36.Écrou papillon

3. MONTAGE



Avant de procéder à une opération quelle qu'elle soit sur la machine, débranchez la prise électrique de la source d'alimentation

Installer / retirer le carter de protection de la lame

Fig. A, B, C

1. Ouvrez le bouton (33) le plus grand possible jusqu'à ce que le bouton (33) touche l'écrou (34), comme illustré par la figure B. Attention : ne tournez pas l'écrou (34).
2. Poussez le boulon de carrosserie (35) aussi loin que possible dans le carter de protection de la lame (2), de sorte que le côté carré du boulon de carrosserie (35) ressorte du carter de protection de la lame (2).
3. Installez le carter de protection (2) avec le boulon de carrosserie (35) dans le renforcement en forme de L (18) du couteau diviseur (5), d'abord vers l'avant puis vers le bas, comme illustré par la figure C.
4. Poussez ensuite le boulon de carrosserie (35) vers l'arrière, avec le côté carré dans le renforcement du carter de protection (2).
5. Serrez le bouton (33) le plus fort possible. Attention : le carter de protection supérieur doit pouvoir bouger librement. Le démontage est effectué dans l'ordre inverse.

Remplacer l'insert du plateau

Fig. D



L'insert de plateau (6) doit être immédiatement remplacé s'il est usé ou endommagé.

En cas d'usure ou d'endommagement, l'insert de plateau doit être remplacé. Le risque de blessure est sinon accru.

1. Retirez le carter de protection de la lame (2), comme décrit dans le paragraphe précédent.
2. Desserrez la vis plate (17).
3. Remplacez l'insert de plateau (6). L'insert de plateau neuf doit être installé dans l'ordre inverse.

Régler le couteau diviseur

Fig. E, F

1. Retirez le carter de protection de la lame (2), comme décrit dans le paragraphe précédent.
2. Dévissez les vis (19) et retirez le couteau diviseur (5). La distance entre la lame de scie (4) et le couteau diviseur (5) doit être comprise entre 3 et 8 mm, comme illustré par la figure F.
3. Veillez à ce que le couteau diviseur soit droit et centré derrière la lame de scie (4).

Installer/remplacer la lame de scie

Fig. G, H



Portez des gants de protection pour installer la lame de scie. Risque de blessure en cas de contact avec la lame.



N'utilisez que des lames de scie correspondant aux caractéristiques mentionnées dans les instructions d'utilisation. N'utilisez que des lames de scie dont la vitesse spécifiée est égale ou supérieure à la vitesse marquée sur la machine.



N'utilisez en aucun cas des disques de meulage comme outils de coupe.

1. Retirez le cache-lame (31) en desserrant les vis Phillips (32).
2. Desserrez l'écrou en fixant la grande clé (29) sur l'écrou et en utilisant la petite clé (30) sur l'axe du moteur pour le neutraliser. Attention : Tournez l'écrou dans le sens de rotation de la lame de scie.
3. Retirez la bride extérieure et retirez la lame de scie (4).
4. Nettoyez soigneusement les brides de la lame de scie avant d'installer une lame neuve. Réinstallez et serrez la lame de scie neuve dans l'ordre inverse.



La flèche marquée sur la lame de scie indique la direction de rotation. Elle doit être dirigée dans le même sens que la flèche marquée sur la machine et les dents de la lame de scie doivent être dirigées vers le bas à l'avant de la scie.

- Avant de recommencer à utiliser la scie, contrôlez le bon fonctionnement des dispositifs de protection.
- Avertissement ! Après chaque changement de lame, contrôlez que le carter de protection (2) s'ouvre et se ferme correctement. Contrôlez également que la lame de scie (4) peut tourner librement dans le carter de protection (2).
- Avertissement ! Après chaque changement de lame, contrôlez que la lame (4) peut tourner librement dans l'insert du plateau (6), à la position verticale et inclinée à 45°.

Fixer la scie sur une structure support

Fig. A

Les trous de fixation (20) sur le cadre de la machine servent à fixer l'équipement sur une base solide et plate, comme un établi par exemple. Vous pourrez trouver la quincaillerie adaptée à la fixation (vis, etc.) dans tous les magasins spécialisés.

Extraction de la poussière

Fig. I

La scie est équipée d'un système pour l'extraction des poussières.

- Insérez l'adaptateur pour aspirateur (16) dans le raccord pour l'extraction des poussières (25).
- Il est fortement conseillé d'utiliser, dans la mesure du possible, un système d'extraction des poussières adapté à la matière sciée.
- Contrôlez et nettoyez régulièrement les canaux d'aspiration.

Ranger les accessoires non montés

Fig. A, I

Lorsqu'ils ne sont pas utilisés, le bâton poussoir (3), le guide parallèle (7) et le guide à onglet (14) peuvent être fixés sur la machine. Le bâton poussoir (3) peut être rangé dans le corps de la machine, comme illustré par la figure A. Le guide à onglet (14) peut être fixé sur le corps de la machine à l'aide de l'écrou papillon (36), comme illustré par la figure I.

Fig. A

The mounting holes (20) on the machine frame are used to attach the device on a solid, flat base such as on a workbench. Matching mounting material (screws, etc.) are available at specialist stores.

4. OPERATION

Mise en marche et extinction

Fig A

- Enfoncez l'interrupteur sur la position "1" pour mettre la machine en marche.
- Pour éteindre la machine, placez le même interrupteur sur la position "0"
- Gardez toujours le câble d'alimentation éloigné des pièces mobiles.

Guide parallèle

Fig. A, J, K

Le guide parallèle (7) doit être utilisé pour refendre des pièces en bois.

- Installez le guide parallèle (7) sur la surface du plateau (1) à l'aide de la plaque de fixation (26), des rondelles (27) et des boutons (12).
Extérieur de la scie : placez la vis (12) et la rondelle (27) ; Intérieur de la scie : plaque de fixation (26).

Modes d'utilisation

Le guide parallèle fourni (7) permet deux hauteurs de guidage différentes, une sur chacun des côtés du guide. Utilisez le côté de la hauteur basse pour les ouvrages plats et la plus grande hauteur pour les grands ouvrages.

1. Pour modifier la hauteur de la butée, ouvrez les boutons (12) du guide parallèle (7) et retirez ce dernier du plateau.
2. Tournez le guide parallèle (7) à 180 ° pour que l'extrémité avant pointe vers l'arrière.
3. Resserrez les boutons (12).

Largeur de coupe

Le guide parallèle (7) peut être installé des deux côtés de la surface du plateau (1).

1. Desserrez les deux boutons (12).
2. À l'aide de la règle (22) posée sur la surface du plateau (1), réglez le guide parallèle (7) à la taille voulue.
3. Serrez les deux boutons (12) pour fixer le guide parallèle (7).
4. En plus de l'affichage sur l'échelle de graduation, mesurez la largeur de coupe entre la lame de scie et le guide parallèle. Procédez une découpe test après chaque nouveau réglage afin de vérifier les dimensions.

Guide à onglet

Fig. L

Le guide à onglet (14) doit être utilisé pour les coupes transversales de pièces en bois.

1. Fixez la rallonge du guide à onglet (23) sur le guide à onglet (14) à l'aide des boutons (24).
2. Poussez le guide à onglet (14) dans la rainure (21) sur la surface du plateau.
3. Desserrez le bouton de réglage de l'angle d'inclinaison (28).
4. Tournez la rallonge du guide à onglet (23) jusqu'à ce que la flèche pointe sur l'angle voulu.
5. Resserrez le bouton de réglage de l'angle d'inclinaison (28).
6. Contrôlez la distance entre la rallonge du guide à onglet (23) et la lame de scie (4).

Avertissement ! Ne poussez pas la rallonge du guide à onglet (23) trop loin vers la lame de scie. La distance entre la rallonge du guide à onglet (23) et la lame de scie (4) doit environ être de 2 cm. Desserrez les deux boutons du guide à onglet (24) et réglez la rallonge du guide à onglet (23), si nécessaire. Resserrez ensuite les boutons du guide à onglet (24).

Régler l'inclinaison

Fig. A, I

1. Desserrez le bouton avant du réglage de l'inclinaison (8) et le bouton arrière du réglage de l'inclinaison (9).
2. Réglez l'inclinaison de la lame de scie en glissant les deux boutons (8, 9) jusqu'à ce que le repère (13) coïncide avec l'angle voulu sur l'échelle de graduation (10).
3. Serrez le bouton avant du réglage de l'inclinaison (8) et le bouton arrière du réglage de l'inclinaison (9).

Instructions liées à l'intervention

Deux méthodes de sciage sont possibles:

- Sciage longitudinal (Fig. K)
Scier la pièce sur la longueur du grain du bois
- Sciage transversal ou tronçonnage, en utilisant le guide à onglet (Fig. L)
Tronçonner la pièce en travers



Dans les deux méthodes de sciage il est important de toujours utiliser un des guides. Donc, ne jamais scier sans guide!



Dans ces sortes de méthodes le guide de refend doit être placé uniquement le long du côté droit de la lame de scie!

Attention! Avant de commencer à scier contrôlez d'abord ce qui suit:

1. La lame de scie est-elle fixée?
2. Est-ce que tous les leviers de blocage sont bien fixés?
3. Le guide de refend est-il bien parallèle à la lame de scie?
4. Est-ce que le capot de protection fonctionne correctement?
5. Portez-vous des lunettes de sécurité?
6. La lame de scie ne frotte-t-elle nulle part?



Il est absolument nécessaire d'observer ces points avant de commencer le travail!

Sciage en long

- Bloquez le guide de refend dans la position de mesure juste et retirez le guide transversal du chariot de table.
- Appuyez doucement le bois en direction de l'établi et faites-le glisser contre le guide transversal.



Eloignez-vous d'au moins 3 cm. du devant de la lame de scie avant de mettre le moteur en marche. Le côté du bois qui se trouve contre le guide de refend doit être en tièremment droit. Tenez vos mains à 10 cm au moins de la ligne de sciage à suivre.

- Mettez le moteur en marche et attendez que la lame de scie ait atteint son régime maximum avant de commencer les travaux de sciage.
- Tout en appuyant doucement le bois contre l'établi et le guide de refend, vous pouvez pousser lentement le bois sur la lame de scie, sans forcer.
- Ne retirez jamais la pièce à usiner en arrière. Si nécessaire, arrêtez d'abord le moteur sans modifier la position de la pièce à usiner.

Sciage en long à onglet (vertical)

Cette méthode est pratiquement la même, sauf que la lame de scie est placée sous l'angle désiré.

Sciage en long de pièces à usiner étroites



Réalisez que ce travail est extrêmement dangereux.

Prenez toutes les mesures de sécurité nécessaires et faites toujours avancer la pièce à usiner (jusque derrière la lame de scie) à l'aide d'un accessoire en matière synthétique, et non pas à la main.

Sciage transversal

- Retirez le guide de refend et placez le guide transversal dans le chariot droit.
- Réglez la hauteur de la lame de scie (voir sciage en long).
- Poussez la pièce à usiner contre le guide transversal et gardez au moins 2,5 cm de distance du devant de la lame de scie.
- Mettez le moteur en marche et attendez qu'il tourne au régime maximum.
- Poussez la pièce à usiner contre le guide et la table. Poussez doucement le bois sur la lame de scie. Continuez jusque derrière la lame de scie. Après cela mettez le moteur en arrêt et maintenez cette position jusqu'à ce que la lame de scie soit en arrêt total avant de retirer le bois.
- Ne tirez jamais le bois en arrière. Si nécessaire, arrêtez le moteur et maintenez la position jusqu'à l'arrêt complet de la lame de scie.

Sciage transversal avec onglet vertical

Cette méthode est pratiquement la même, sauf que la lame de scie est placée sous l'angle désiré.



Placez le guide transversal uniquement le long du côté droit de la lame de scie. Ne sciez jamais des morceaux de bois trop petits. N'utilisez jamais vos mains pour exécuter des opérations compliquées.

Sciage transversal à onglet horizontal

Dans cette méthode il est important de bloquer le guide transversal sous l'angle désiré. Tenez la pièce à usiner fortement appuyé contre le guide transversal et l'établi avant de commencer le sciage transversal.

5. SERVICE & MAINTENANCE



Assurez-vous que la machine est débranchée avant d'intervenir sur le moteur.

Cette machine a été conçue pour fonctionner un maximum de temps avec un minimum d'entretien. Le fonctionnement satisfaisant de la machine dépend des soins et du nettoyage réguliers qui lui sont apportés.

ENVIRONNEMENT

Afin d'éviter tout dommage pendant le transport, l'appareil est livré dans un emballage solide composé principalement de matériaux recyclables. Nous vous demandons donc de recycler cet emballage.



Les appareils électriques et électroniques en panne et/ou jetés doivent être mis au rebut dans des centres de recyclage appropriés.

Uniquement pour les pays CE

Ne jetez pas les outils électriques avec les déchets domestiques. Selon la directive européenne 2012/19/EU « Déchets d'équipements électriques et électroniques » et sa mise en œuvre dans le droit national, les outils électriques hors d'usage doivent être collectés séparément et mis au rebut de manière écologique.

GARANTIE

Les conditions de garantie figurent séparément sur la carte de garantie jointe.

Le produit et le manuel d'utilisation sont sujets à modifications. Les spécifications peuvent changer sans autre préavis.

SIERRA DE MESA TSM1036

Gracias por comprar este producto de Ferm. Ahora dispone de un excelente producto, suministrado por uno de los principales proveedores de Europa. Todos los productos suministrados por Ferm son fabricados de acuerdo con los más elevados estándares de rendimiento y seguridad. Como parte de nuestra filosofía, proporcionamos también un excelente servicio al cliente, respaldado por nuestra garantía integral. Esperamos que disfrute del uso de este producto durante muchos años.

1. INSTRUCCIONES DE SEGURIDAD



Lea las advertencias de seguridad, las advertencias de seguridad adicionales y las instrucciones adjuntas. De no

respetarse las advertencias de seguridad y las instrucciones, podrían producirse descargas eléctricas, incendios y/o lesiones graves.

Conserve las advertencias de seguridad y las instrucciones para su posterior consulta.

Los siguientes símbolos se utilizan en el manual de usuario o en el producto:



Lea el manual de usuario.



Denota riesgo de lesiones personales, pérdida de vida o daños a la herramienta en caso de incumplimiento de las instrucciones del presente manual.



Riesgo de choque eléctrico.



Mantenga a los presentes a una distancia prudencial de la zona de trabajo



Utilice siempre una máscara cuando utilice la herramienta.



Lleve protectores para los ojos y los oídos



Mantenga las manos alejadas del área de corte cuando la máquina esté en función. El contacto con la hoja de la sierra puede causar lesiones.



¡Área de peligro! Mantenga las manos, los dedos y los brazos alejados de esta área.



Máquina de clase I. Este aparato está clasificado con clase de protección I y debe conectarse a una toma de corriente con conexión a tierra.



El producto es conforme con las normas de seguridad vigentes en las Directivas Europeas.



Tenga en cuenta las dimensiones de la hoja de sierra. El diámetro del orificio debe calzar en el husillo de la herramienta sin hacer juego. Si es necesario utilizar reductores, compruebe que las dimensiones del reductor sean adecuadas para el espesor de la hoja de la base, para el diámetro del orificio de la hoja de la sierra y para el diámetro del husillo de la herramienta. Siempre que sea posible, utilice los reductores suministrados con la hoja de la sierra. El diámetro de la hoja de la sierra debe coincidir con la información especificada en el símbolo.

INSTRUCCIONES DE SEGURIDAD ESPECÍFICAS

ATENCIÓN! Al utilizar herramientas eléctricas para proteger contra descargas eléctricas, lesiones y el fuego de las siguientes medidas básicas de seguridad deben respetarse. Asegúrese de leer todas las instrucciones antes de utilizar esta herramienta eléctrica, mantenga el folleto de seguridad y preservar bien para su posterior consulta.

- Siempre mantenga su lugar de trabajo limpio y ordenado.
 - Un lugar de trabajo desordenado puede provocar accidentes no deseados.

2. Considerar las influencias ambientales.
 - No exponga la herramienta eléctrica a lluvia.
 - No utilice la herramienta eléctrica en un ambiente húmedo o mojado.
 - Asegúrese de que el espacio de trabajo tiene suficiente luz.
 - No utilice la herramienta eléctrica en áreas donde hay un riesgo de incendio o explosión.
3. Para protegerse de una descarga eléctrica.
 - Evite el contacto del cuerpo con partes puestas a tierra (por ejemplo, tuberías, radiadores, cocinas eléctricas, refrigeradores, etc.).
4. Mantenga a otras personas a distancia
 - Mantenga a otras personas a distancia especialmente niños, no dejes que toquen su herramienta eléctrica o cable y mantiene los niños lejos de su área de trabajo.
5. Guarde las herramientas eléctricas no utilizados de forma segura.
 - herramientas eléctricas no utilizados deben ser encerrados o almacenados en un lugar que esté seco y fuera del alcance de niños.
6. No sobrecargue la herramienta eléctrica.
 - Se trabaja mejor y más seguro en el rango de potencia especificado.
7. Utilice la herramienta eléctrica correcta.
 - No utilizar máquinas de baja potencia para trabajos pesados
 - No utilice la herramienta eléctrica para fines que no están destinados a ser. Por ejemplo no se puede cortar ramas de árboles o un tronco de madera con una sierra de mano.
8. Use ropa adecuada.
 - No use ropa suelta o joyas; que pueden quedar atrapados en las piezas móviles.
 - Calzado antideslizante es recomendado cuando trabaja en aire
 - Para cabello largo, use una redecilla.
9. Use equipo de protección.
 - Use gafas protectoras
 - Al hacer trabajo que genera polvo, utilice una máscara de respiración.
10. Conecte el aspiradora
 - Si la conexión con el aspiradora y el receptor están disponibles entonces usted sabe que éstos están conectados y se utilizan adecuadamente.
11. No utilice el cable para fines que no está destinado a.
 - No utilice el cable al conector para sacarlo de la toma. Proteja el cable del calor, aceite y bordes afilados.
12. Asegurar la herramienta eléctrica.
 - Utilice abrazaderas o un torno para sujetar la herramienta eléctrica. Es más seguro que sostenerlo con la mano.
13. Evitar una postura anormal.
 - Se garantiza la estabilidad y lo mantiene equilibrado en todo momento.
14. Conservar y mantener las herramientas con cuidado.
 - Mantenga las herramientas de corte afiladas y limpias, este garantiza que trabaja mejor y que sea lo más seguro posible.
 - Siga las instrucciones del lubricante y de la herramienta cambiante.
 - Compruebe el cable de conexión de la herramienta eléctrica con regularidad y dejar que un experto cualificado repara cualquier daño.
 - Compruebe los cables de extensión periódicamente y reemplácelos si están dañados.
 - Mantenga los mangos limpios, secos y libres de grasa y aceite.
15. Desconecte la herramienta de alimentación de la toma de corriente.
 - Cuando no esté usando la herramienta eléctrica, cuando se lleve a cabo el mantenimiento y al cambiar sus herramientas como palas, taladros y cortadores.
16. No deje la llave dentro de la herramienta.
 - Antes de ponerlo en marcha, asegúrese de que las llaves y herramientas de configuración se han despejado.
17. Evite involuntariamente a cambiar la herramienta eléctrica.
 - Compruebe que al conectar el enchufe en la toma de que el equipo está apagado.
18. Use un cable alargador impermeable
 - Adecuado para exteriores cuando trabaje con la herramienta eléctrica al aire libre. El riesgo de cortocircuito es menor si utiliza un cable alargador adecuado para exteriores.

Instrucciones de seguridad adicionales

1. Cuando utilice las hojas de sierra con dientes metálicos fuertes (con punta de carbono), se recomienda que utilice hojas con un ángulo

- de corte negativo o ligeramente positivo. No utilice ninguna hoja de sierra con dientes de corte profundos. Pueden adherirse a la tapa de protección.
2. Atención: Antes de iniciar el trabajo, ajuste todas las piezas. Siga el procedimiento tal y como se indica.
 3. Si no está acostumbrado a utilizar una herramienta de este tipo, debe consultar previamente a un profesional, un maestro o un técnico.
 4. Sujete o presione siempre la pieza de trabajo firmemente contra la guía de serrado, antes de llevar a cabo el proceso. El uso de todas las herramientas de ajuste posibles es mejor que utilizar sus manos.
 5. Importante: Si sostiene la pieza con la mano para realizar el proceso, mantenga una distancia mínima de 100 mm. de la hoja de sierra.
 6. Presione siempre la pieza contra el banco.
 7. Mantenga la hoja afilada y compruebe si gira libremente sin vibraciones anormales. Sustituya la hoja si es necesario.
 8. Permita que la máquina gire libremente hasta que alcance un número de revoluciones máximas, antes de empezar el proceso.
 9. Mantenga las entradas de aire en la parte posterior e inferior del banco de sierra y del motor para lograr una vida útil mayor. Deben retirarse los cúmulos de suciedad.
 10. Cierre siempre las herramientas de diferente grado antes de comenzar el funcionamiento.
 11. Compre exclusivamente hojas de sierra con un número mínimo de revoluciones de 6000 revoluciones por minuto.
 12. Utilice sólo la hoja de sierra apropiada. Las hojas demasiado grandes o pequeñas son muy peligrosas.
 13. Examine periódicamente la hoja de sierra por si encuentra fallos. Sustituya la hoja si es necesario.
 14. Engrase la nueva hoja de sierra y limpie las bridas antes de colocar la nueva hoja. Luego coloque la hoja en la dirección apropiada y apriete las bridas firmemente usando un perno central. Utilice sólo bridas originales.
 16. Nunca trabaje sin la tapa de protección de la hoja de sierra.
 17. La pieza móvil de la tapa de protección también debe permanecer ajustada.
 18. No engrase nunca la hoja de sierra mientras esté girando.
 19. Mantenga siempre sus manos lejos del alcance de las hojas de sierra.
 20. Nunca coja la pieza agarrándola con sus manos a lo largo o detrás de la hoja de sierra.
 21. Asegúrese de que la pieza nunca toca la hoja de sierra antes de que la máquina se haya puesto en marcha.
 22. Nunca trabaje con trozos de metal o de piedra con esta máquina.
 23. Utilice ayudas de sujeción para sujetar piezas largas.
 24. Nunca utilice la máquina en ambientes peligrosos con gases o líquidos inflamables.
 25. Nunca deje la máquina desatendida sin desconectarla previamente de la línea de suministro de corriente.
 26. Si escucha ruidos anormales, intente ubicarlos o lleve la máquina a un ajustador reconocido o a una empresa de reparaciones.
 27. Si una pieza se rompe o está dañada, reemplácela o repárela inmediatamente.
 28. Nunca se coloque en el camino de la hoja de sierra pero sí a su izquierda o a su derecha.
 29. Sus manos las debe colocar de igual forma con respecto al camino de la hoja de sierra.
 30. Utilice siempre un palo de madera en lugar de sus manos para empujar la madera hacia la sierra.
 31. Coloque siempre la madera delante del banco de sierra y luego empujela hacia atrás.
 32. Para ingletear sólo debe usarse la guía ajustable y el soporte guía debe retirarse.
 33. Nunca utilice el soporte guía como una medida lineal para cortar barrotes.
 34. Si la hoja de sierra está frenada: apague la máquina antes de intentar detectar el fallo.
 35. Evite que las piezas le devuelvan el empuje tomando las siguientes medidas:
 - *Utilice siempre hojas de sierra afiladas.*
 - *No sierre piezas demasiado pequeñas.*
 - *Nunca suelte la pieza antes de que haya atravesado totalmente la sierra.*
 - *Ajuste siempre paralelamente la guía a la hoja de sierra.*
 - *Nunca retire la protección de la sierra.*
 36. Antes de continuar con el serrado, asegúrese de que está en una posición firme y que sus manos se encuentran en la posición adecuada.
 37. Nunca utilice disolventes para limpiar la máquina. Utilice sólo un paño húmedo.

38. No utilice hojas de sierra que estén dañadas o deformadas.
39. Sustituya la mesa de inserción cuando esté desgastada.
40. Sólo uso especificada por el fabricante hojas de sierra que cumplan cuando estén destinados para trabajar madera o materiales similares, EN 847-1.
41. Preste atención a la elección de la hoja de sierra, ya que depende del material que se vaya a cortar.
42. Conecte las sierras circulares a un mecanismo de recogida de restos mientras se sierra.
43. Corrija el ajuste del cuchillo divisor.
44. Corrija el ajuste de la hoja de sierra superior de seguridad.
45. Tenga cuidado cuando haga una muesca.

Quando si sostituisce la lama, assicurarsi che la larghezza della lama non sia inferiore piccolo e che lo spessore della lama principale non superi lo spessore del cuneo separatore.

Indossare dispositivi di protezione individuale, quali:

- protezione acustica per ridurre il rischio di perdita dell'udito
- protezione per gli occhi
- protezione delle vie respiratorie per ridurre il rischio di inspirare polveri nocive
- guanti quando si maneggiano le lame e materiali grezzi (se possibile, i raccomanda di trasportare le lame all'interno di un contenitore)



Attenzione! Non utilizzare lame HSS.

- Inserire lo spingipezzo nel rispettivo supporto quando non è in uso.
- Utilizzare un'asta o un blocco per guidare il pezzo in lavorazione.



Attenzione! Non usare la sega per creare pieghe o scanalature.

- Utilizzare esclusivamente lame, la cui velocità massima sia almeno quella indicata sulla sega e che siano adatte per il materiale da tagliare..
- Durante il trasporto, la parte superiore della lama deve essere coperta dalla protezione.

Apague inmediatamente la máquina cuando detecte:

- Un conector o un cable defectuoso conectado a la corriente
- Un interruptor defectuoso.
- Sobrecalentamiento de la máquina.
- Humo u olor producido por un aislamiento quemado.

Seguridad de la electricidad

Cuando utilice máquinas eléctricas observe siempre las reglas de seguridad aplicables existentes en su país para reducir el riesgo de incendio, cortocircuitos y daños personales. Lea las siguientes instrucciones de seguridad y también las adjuntas. Antes de utilizar, retire a embalagem utilizada para um transporte seguro!



Compruebe siempre que la potencia suministrada se corresponde con el voltaje de la placa de funcionamiento.

Sustituya los cables o las clavijas

Tire inmediatamente los cables o las clavijas viejos cuando hayan sido sustituidos por otros. Es peligroso colocar la clavija de un cable suelto en el enchufe.

Uso de cables de extensión

- Como suministro para esta máquina utilice siempre una línea descargada o un cable de extensión con conductores de al menos 1,5 mm² y protegidos con un fusible de 16 A. Asegúrese de que el cable de extensión no es más largo de 20 metros.
- Esta máquina puede conectarse a la red de una fase (230-240 V./50 Hz.). Si duda sobre la existencia de toma de tierra, consulte previamente con un electricista.

2. INFORMACIÓN DE LA MÁQUINA

Uso previsto

Esta herramienta eléctrica ha sido concebida como máquina fija para realizar cortes longitudinales rectos y cortes transversales en madera blanda y dura que no contenga cuerpos extraños tales como clavos, tornillos ni argamasa.

Datos técnicos

Modelo n.º	TSM1036
Voltaje	230-240V~
Frecuencia	50 Hz
Entrada de potencia	800W
Velocidad sin carga	2950/min
Ángulos de bisel	0° <> +45°
Dim. de las hojas de sierra	Ø200×2,4 × Ø 16mm
Número de dientes	24T
Max. altura de la pieza a 90°	43 mm
Max. altura de la pieza a 45°	27 mm
Espesor del cuchillo divisor	2.2 mm
Grueso de la lámina	1.8 mm
Peso	13 kg
Lpa (presión acústica)	99.6 +3 dB(A)
Lwa (resonancia acústica)	112.6 +3 dB(A)
Valor de vibración	<2.5 m/s ²

Nivel de vibración

El nivel de emisión de vibraciones indicado en este manual de instrucciones ha sido medido según una prueba estándar proporcionada en EN 60745; puede utilizarse para comparar una herramienta con otra y como valoración preliminar de la exposición a las vibraciones al utilizar la herramienta con las aplicaciones mencionadas

- al utilizarla para distintas aplicaciones o con accesorios diferentes o con un mantenimiento deficiente, podría aumentar de forma notable el nivel de exposición
- en las ocasiones en que se apaga la herramienta o cuando está funcionando pero no está realizando ningún trabajo, se podría reducir el nivel de exposición de forma importante

Protéjase contra los efectos de la vibración realizando el mantenimiento de la herramienta y sus accesorios, manteniendo sus manos calientes y organizando sus patrones de trabajo.

DESCRIPCIÓN

Los números del texto se refieren a los diagramas de las páginas 2-6.

1. Superficie de la mesa
2. Protector de la hoja
3. Dispositivo guía de alimentación
4. Hoja de sierra
5. Cuchilla de la hendidura
6. Inserto de la mesa
7. Guía paralela

8. Perilla delantera para ajuste de ángulo
9. Perilla trasera para ajuste de ángulo
10. Transportador
11. Interruptor de encendido/apagado
12. Perilla para guía paralela
13. Indicador del transportador
14. Guía de inglete
15. Tuerca para hoja de sierra
16. Adaptador para aspiradora
17. Tornillo encastrado
18. Rebajo en forma de L del separador
19. Tornillo de fijación
20. Orificios de montaje
21. Ranura en la superficie de la mesa
22. Regla
23. Extensión para guía de ingletar
24. Perillas para guía de ingletar
25. Conexión para la extracción de polvo
26. Plancha de sujeción para guía paralela
27. Arandela para guía paralela
28. Perilla para ángulo de inglete
29. Llave grande
30. Llave pequeña
31. Cubierta de hoja de sierra
32. Tornillo Phillips para cubierta de hoja de sierra
33. Perilla para protector
34. Tuerca para protector
35. Tornillo de carrocería para protector
36. Tuercas de mariposa

3. MONTAJE

Antes de realizar cualquier trabajo en la máquina, desenchufe el cable de alimentación de la red eléctrica.

Instalar/quitar protector de la hoja de la sierra
Fig. A, B, C

1. Abra la perilla (33) lo máximo posible hasta que la perilla (33) toque la tuerca (34), como se indica en la figura B. Atención: no apriete la tuerca (34).
2. Empuje el tornillo de carrocería (35) lo máximo posible a través del protector de la hoja de la sierra (2) para que el perfil cuadrado del tornillo de carrocería (35) sobresalga del protector de la hoja de la sierra (2).
3. Monte el protector de la hoja de la sierra (2) con el tornillo de carrocería (35) en el rebajo en forma de L (18) del separador (5): primero

hacia adelante y luego hacia abajo, como se indica en la figura C.

- Luego, empuje de nuevo el tornillo de carrocería (35), con el perfil cuadrado dentro del rebajo del protector de la hoja de la sierra (2).
- Apriete la perilla (33) lo máximo posible. Atención: El protector superior de la hoja de sierra debe poder moverse libremente. Para desmontar, hay que hacerlo en orden inverso.

Sustitución del inserto de la mesa

Fig. D



Un inserto de mesa gastado o dañado (6) debe sustituirse de inmediato.

En caso de desgaste o daño, el inserto de la mesa debe ser sustituido. De otro modo, existe riesgo de lesiones.

- Quite el soporte de la hoja de la sierra (2) como se explica en el apartado anterior.
- Afloje los tornillos encastrados (17).
- Sustituya el inserto de la mesa (6). El inserto de mesa nuevo se instala en orden inverso.

Ajustar el separador Fig. E y F

- Quite el soporte de la hoja de la sierra (2) como se explica en el apartado anterior.
- Afloje los tornillos (19) y quite el separador (5). La distancia entre la hoja de la sierra (4) y el separador (5) debe de ser entre 3-8 mm, como se indica en la figura F.
- Asegúrese de que el separador esté recto y centrado detrás de la hoja de la sierra (4).

Montar/cambiar la hoja de la sierra Fig. G, H



Cuando monte la hoja de la sierra, use guantes protectores. Peligro de lesiones al tocar la hoja de la sierra.



Utilice únicamente hojas de sierra que correspondan con los datos de las características indicados en las instrucciones de funcionamiento. Use solo hojas de sierra que tengan indicada una velocidad igual o superior a la velocidad indicada en la máquina.



No utilice en ningún caso discos abrasivos como herramienta de corte.

- Quite la cubierta de la hoja de la sierra (31) aflojando los tornillos Phillips (32).
- Afloje la tuerca uniendo la llave grande (29) a la tuerca y usando la llave pequeña (30) en eje del motor para contrarrestar. Atención: gire la tuerca en la dirección de rotación de la hoja de la sierra.
- Quite la pestaña exterior y saque la hoja de la sierra (4).
- Limpie con cuidado las pestañas de la hoja de la sierra antes de instalar la hoja nueva. Sustituya y ajuste la hoja nueva en orden inverso.



La flecha marcada en la hoja de la sierra indica la dirección de giro. Debe apuntar hacia la misma dirección que la flecha marcada en la máquina, los dientes de la sierra deben apuntar hacia abajo en la parte delantera de la sierra

- Antes de comenzar a trabajar de nuevo con la sierra, debe comprobar la funcionalidad de los dispositivos de protección.
- ¡Advertencia! Después de cada cambio de hoja de sierra, compruebe que el protector de la hoja (2) se abra y cierre correctamente. Además, compruebe que la hoja de la sierra (4) se mueve libremente en el protector de hoja de sierra (2).
- ¡Advertencia! Después de cada cambio de hoja de sierra, compruebe que la hoja (4) pueda moverse libremente en el inserto de la mesa (6), cuando esté en posición vertical y cuando esté inclinada a 45°.

Fijar a una subestructura Fig. A

Los orificios de montaje (20) en el bastidor de la máquina se utilizan para fijar el dispositivo a una base sólida y lisa, como en un banco de trabajo. El material de montaje correspondiente (tornillos, etc.) está disponible en tiendas especializadas.

Extracción de polvo Fig. I

La sierra incluye un sistema de extracción de polvo.

- Inserte el adaptador de la aspiradora (16) en el puerto de extracción de polvo (25).
- Recomendamos encarecidamente utilizar un sistema de extracción de polvo adecuado al material siempre que sea posible.

- Revise y limpie periódicamente los canales de succión.

Almacenamiento de piezas sueltas Fig. A, I

Cuando no esté en uso, se pueden acoplar la palanca de empuje (3), la guía paralela (7) y la guía de ingletar (14). La palanca de empuje (3) se puede guardar en la carcasa de la máquina, como se indica en la figura A. La guía de ingletar (14) se puede fijar a la carcasa de la máquina con la tuerca de mariposa (36) como se indica en la figura I.

4. FUNCIONAMIENTO

Encendido/apagado

Fig A

- Pulse el interruptor hacia la posición '1' para poner la máquina en marcha.
- Para apagar la máquina, coloque el interruptor en la posición '0'.
- Mantenga siempre alejado el cable de red de las piezas móviles.

Guía paralela Fig. A, J, K

Cuando corte piezas de madera, debe usar la guía paralela (7).

- Monte la guía paralela (7) en la superficie de la mesa (1) con la placa de sujeción (26); arandelas (27) y perillas (12): Fuera de la mesa de la sierra: Tornillo de sujeción (12) y arandela (27); dentro de la mesa de la sierra: placa de sujeción (26).

Modos de usuario

La guía paralela (7) incluida tiene dos superficies de guía de alturas distintas, una a cada lado de la guía. Use el lado de altura más baja para piezas de trabajo lisas; la altura de tope más alta, para piezas de trabajo altas.

1. Para cambiar la altura del tope, abra las perillas (12) en la guía paralela (7) y quítela de la mesa.
2. Gire 180° la guía paralela (7), de modo que el extremo delantero apunte a la parte trasera.
3. Vuelva a apretar las perillas (12).

Ancho de corte

La guía paralela (7) puede montarse en ambos lados de la superficie de la mesa (1).

1. Afloje las dos perillas (12).
2. La guía paralela (7) puede ajustarse al tamaño deseado con ayuda de la regla (22) en la superficie de la mesa (1).
3. Apriete las dos perillas (12) para fijar la guía paralela (7).
4. Aparte de lo que muestre la báscula, mida el ancho de corte entre la hoja de la sierra y la guía paralela. Después de una configuración nueva, haga un corte de prueba para comprobar las dimensiones.

Guía de ingletar Fig. L

Para cortar piezas de madera transversalmente, debe usar la guía de ingletar (14).

1. Fije la extensión de la guía de ingletar (23) a la guía de ingletar (14) con las perillas para guía de ingletar (24).
2. Meta la guía de ingletar (14) en la ranura (21) de la superficie de la mesa.
3. Afloje la perilla para ángulo de inglete (28).
4. Gire la extensión de la guía de ingletar (23) hasta que la flecha marque el ángulo deseado.
5. Vuelva a apretar la perilla para ángulo de inglete (28).
6. Compruebe la distancia entre la extensión de la guía de ingletar (23) y la hoja de la sierra (4).

Advertencia No empuje demasiado la extensión de la guía de ingletar (23) hacia la hoja de la sierra. La distancia entre la extensión de la guía de ingletar (23) y la hoja de la sierra (4) debe ser de unos 2 cm. Si es necesario, afloje las dos perillas para la guía de ingletar (24) y ajuste la extensión de la guía de ingletar (23). Después, vuelva a apretar las perillas para la guía de ingletar (24).

Ajuste de ángulo Fig. A, I

1. Afloje tanto la perilla delantera para ajustar el ángulo (8) como la trasera (9).
2. Ajuste el ángulo de la hoja de la sierra deslizando las dos perillas (8, 9) hasta que el indicador (13) coincida con el ángulo deseado en el transportador (10).
3. Apriete la perilla delantera para ajustar el ángulo (8) y la trasera (9).

Instrucciones de funcionamiento

Existen dos tipos de métodos de aserrar:

- Aserrado longitudinal (Fig. K)
Corta la pieza de trabajo a lo largo de la veta.

- Aserrado transversal o tronzado, con uso de la guía de inglete (Fig. L)
Corta la pieza de trabajo en modo transversal.



Para los dos métodos de aserrado debe usarse una guía. Nunca efectúe cortes sin usar una guía.

¡Atención! Antes de empezar con el serrado, compruebe lo siguiente:

1. ¿La hoja de sierra es segura?
2. ¿Están todas las manivelas de cierre aseguradas?
3. ¿Se encuentra el soporte guía paralelo a la hoja de sierra?
4. ¿Está funcionando correctamente la tapa de protección?
5. ¿Lleva puestas gafas de seguridad?
6. ¿La hoja de sierra no roza contra nada?



¡Es absolutamente necesario tener en cuenta estos puntos antes de empezar a trabajar!

Serrado longitudinal

- Asegure el soporte guía a una posición adecuada y retire la guía de corte del banco.
- Presione la madera ligeramente hacia el banco y deje que se deslice hacia el soporte guía de corte.



Quédese al menos a 3 cm. de la parte delantera de la hoja de sierra antes de arrancar el motor. La parte de la madera que está sobre el soporte guía debe estar completamente recta. Mantenga sus manos alejadas al menos 10 cm. del recorrido de la sierra.

- Arranque el motor y espere hasta que la hoja de sierra haya alcanzado un número máximo de revoluciones antes de iniciar el serrado.
- Mientras que empuja la madera hacia el banco y el soporte guía, puede presionar con cuidado la madera a través de la hoja de sierra sin forzarla.
- Nunca deslice hacia atrás la pieza. Si es necesario, apague el motor antes sin variar la posición de la pieza.

Serrado longitudinal con un inglete (vertical) Este método es prácticamente el mismo, excepto en que la hoja de sierra se coloca en el ángulo deseado.



Con este tipo de método, el soporte de guía solo se sitúa en el lado derecho de la hoja de sierra.

Serrado longitudinal de piezas estrechas



Tenga en cuenta que este proceso es muy peligroso.

Tome todas las medidas de seguridad y presione continuamente la pieza hacia la sierra (hasta el final de la hoja de sierra) ayudándose con una pieza artificial, en lugar de con la mano.

Serrado transversal

- Retire el soporte guía y coloque el soporte guía de corte transversal en el lado derecho del carril.
- Ajuste la altura de la hoja de sierra (vea el serrado longitudinal).
- Empuje la pieza hacia el soporte guía de corte transversal y mantenga al menos 2,5 cm de distancia desde la parte delante de la hoja de sierra.
- Encienda el motor y espere hasta que se alcance el número máximo de revoluciones.
- Empuje la pieza contra el soporte guía y el banco. Presione con cuidado la madera a través de la hoja de sierra. Continúe hasta que haya pasado por toda la hoja de sierra. Luego apague el motor y mantenga esta posición hasta que la hoja de sierra se haya detenido completamente antes de retirar la madera.
- Nunca saque la madera. Si es necesario, apague el motor y mantenga la posición hasta que la hoja de sierra se haya detenido completamente.

Serrado transversal con un inglete vertical

Este método es prácticamente el mismo, excepto que la hoja de sierra se coloca en el ángulo deseado.



Coloque sólo el soporte guía de corte transversal en la parte derecha de la hoja de sierra. Nunca sierre piezas de madera demasiado pequeñas. Nunca utilice sus manos para desempeñar operaciones complicadas.

Serrado transversal con un inglete horizontal Con este método, el soporte guía de corte transversal debe estar asegurado a un ángulo determinado. Mantenga la pieza presionada de forma firme contra el soporte guía de corte transversal y contra el banco antes de que comience a serrar.

5. SERVICIO & MANTENIMIENTO



Asegúrese de desconectar la máquina de la red eléctrica cuando se tengan que realizar trabajos de mantenimiento en el motor.

Esta máquina ha sido diseñada para operar durante un periodo muy largo de tiempo, exigiendo muy pocas operaciones de mantenimiento. La continuación de su funcionamiento satisfactorio dependerán del cuidado adecuado de la máquina y de la limpieza regular de la misma.



Las reparaciones y el servicio tan sólo deberán llevarse a cabo por un técnico cualificado o una empresa de reparación habilitada.

Limpieza

Mantenga limpios los orificios de ventilación de la máquina para evitar que el motor se sobrecaliente. Limpie las cubiertas de la máquina periódicamente con un paño suave, preferiblemente después de cada uso. Mantenga las ranuras de ventilación libres de toda suciedad y polvo. Si no consigue eliminar la suciedad, utilice un paño suave humedecido con agua y jabón. No utilice nunca disolventes como el petróleo, el alcohol, el amoníaco, etc. Estos disolventes podrán dañar las partes de plástico del aparato.

Fallos

Si tiene lugar algún fallo, por ejemplo, después del desgaste de una pieza, póngase en contacto con la dirección del servicio técnico que figura en la tarjeta de garantía. En la contraportada de este manual se adjunta un despiece de las piezas que pueden adquirirse.

MEDIO AMBIENTE

Para prevenir daños durante el transporte, el producto se suministra en un embalaje resistente que está compuesto por materiales reutilizables. Por ello se ruega hacer uso de todas las opciones posibles para reciclar el embalaje.



Los aparatos eléctricos o electrónicos averiados o fuera de servicio se desecharán en los puntos de reciclaje pertinentes.

Sólo para países CE

No deseche las herramientas eléctricas con los residuos domésticos. De conformidad con la Directiva Europea 2012/19/EU sobre residuos de aparatos eléctricos y electrónicos y su implementación en el derecho nacional, las herramientas eléctricas que dejen de funcionar deben recogerse por separado y desecharse de forma respetuosa con el medio ambiente.

GARANTÍA

Las condiciones de la garantía se encuentran en la tarjeta de garantía adjunta.

El producto y el manual de usuario están sujetos a cambios. Las especificaciones pueden modificarse sin previo aviso.

SEGA CIRCOLARE DA TAVOLO TSM1036

Grazie per avere acquistato questo prodotto Ferm. Ora possiedi un prodotto eccellente, offerto da uno dei principali fornitori europei. Tutti i prodotti Ferm sono realizzati nel rispetto dei più rigorosi standard prestazionali e di sicurezza. Quale parte della nostra filosofia offriamo inoltre un servizio di assistenza ai clienti eccellente, supportato da una garanzia completa. Ci auguriamo che possiate utilizzare con soddisfazione questo prodotto per molti anni.

1. ISTRUZIONI DI SICUREZZA



Leggere accuratamente gli avvisi di sicurezza, gli avvisi di sicurezza aggiuntivi e le istruzioni. La mancata

osservanza degli avvisi di sicurezza e delle istruzioni potrebbe causare scosse elettriche, incendio e/o gravi lesioni. **Mantenere gli avvisi di sicurezza e le istruzioni a portata di mano per future consultazioni.**

I seguenti simboli sono utilizzati nel presente manuale utente o sul prodotto:



Leggere il manuale per l'utente.



Denota il rischio di lesioni personali, morte o danni all'utensile in caso di mancata osservanza delle istruzioni contenute nel presente manuale.



Rischio di scosse elettriche.



Tenere gli spettatori a distanza



Indossare una mascherina.



Indossare protezioni per occhi e orecchie



Tenere le mani a debita distanza dall'area di taglio mentre l'elettrotensile è in funzione. Il contatto con la lama della troncatrice può provocare lesioni personali.



Area di pericolo! Tenere le mani, le dita o le braccia lontano da quest'area.



Apparecchio di Classe I. Questo apparecchio rientra nella classe di protezione I e deve essere collegato a una presa di corrente dotata di messa a terra.



Il prodotto è conforme agli standard pertinenti in materia di sicurezza previsti dalla legislazione Europea.



Tenere in considerazione le dimensioni della lama. Il diametro del foro deve corrispondere al mandrino dell'utensile senza gioco. In caso di necessità di riduttori fare in modo che le dimensioni del riduttore siano adatte per lo spessore del mandrino di base e il diametro della lama nonché per il diametro del mandrino dell'utensile. Utilizzare se possibile i riduttori in dotazione con la lama. Il diametro della lama deve corrispondere alle informazioni riportate sul simbolo.

ISTRUZIONI DI SICUREZZA SPECIFICHE

ATTENZIONE! Quando si utilizzano dispositivi elettrici di protezione contro scosse elettriche, infortuni e incendi, occorre rispettare misure di sicurezza fondamentali. Prima di utilizzare questo elettrotensile, assicurarsi di leggere tutte le istruzioni, tenere il libretto con le istruzioni di sicurezza e conservarlo accuratamente per una futura consultazione.

- Mantenere sempre il posto di lavoro pulito e ordinato.
 - Gli ambienti disordinati favoriscono gli incidenti.
- Considerare le influenze ambientali.
 - Non esporre l'elettrotensile alla pioggia.

- Non utilizzare l'elettrotensile in ambienti umidi o bagnati.
 - Assicurarsi che l'area di lavoro sia sufficientemente illuminata.
 - Non utilizzare l'elettrotensile in aree a rischio di incendi o esplosioni.
3. Per proteggersi da una scossa elettrica.
 - Evitare il contatto fisico con superfici collegate a terra (ad esempio, tubazioni, radiatori, stufe elettriche, frigoriferi, ecc).
 4. Mantenere le altre persone a debita distanza
 - Mantenere le altre persone presenti (in particolare i bambini) a debita distanza, non permettere che tocchino l'elettrotensile né il cavo e tenere i bambini lontano dall'area di lavoro.
 5. Riporre l'elettrotensile inutilizzato in modo sicuro.
 - Gli elettrotensili non utilizzati devono essere chiusi a chiave o riposti in un luogo asciutto e fuori dalla portata dei bambini.
 6. Non sovraccaricare l'elettrotensile.
 - Si lavora meglio e in maniera più sicura rispettando il range di potenza specificato.
 7. Utilizzare l'elettrotensile corretto.
 - Non utilizzare macchine a bassa potenza per svolgere lavori pesanti.
 - Non utilizzare l'elettrotensile per scopi diversi da quelli per cui è destinato. Per esempio non è possibile tagliare rami di alberi o un tronco con una sega manuale.
 8. Indossare un abbigliamento adeguato.
 - Non indossare abiti larghi o gioielli che potrebbero rimanere impigliati nei componenti in movimento.
 - Quando si lavora all'aperto si consiglia di indossare calzature antiscivolo.
 - Per chi ha i capelli lunghi, indossare una retina per capelli.
 9. Utilizzare dispositivi di protezione personale.
 - Indossare occhiali di protezione.
 - Se si esegue un lavoro che genera polvere, utilizzare una maschera respiratoria.
 10. Collegare il dispositivo di aspirazione
 - Sono presenti appositi dispositivi collegabili per l'aspirazione e la raccolta della polvere, si raccomanda di collegare tali dispositivi e utilizzarli correttamente.
 11. Non usare il cavo di alimentazione per scopi diversi da quelli per cui è destinato.
 - Do not use the cable to the connector to pull it out of the socket. Protect the cable from heat, oil and sharp edges.
 12. Fissare l'elettrotensile.
 - Per tenere fermo l'elettrotensile usare delle pinze o un morsetto. È più sicuro che tenerlo con la mano.
 13. Evitare di assumere una postura anomala.
 - Garantisce la stabilità e consente di mantenersi in equilibrio in qualsiasi momento.
 14. Conservare e mantenere gli utensili da taglio con cura.
 - Mantenere gli utensili da taglio affilati e puliti: ciò consente di lavorare meglio e in modo più sicuro.
 - Seguire le istruzioni per la lubrificazione e il cambio degli utensili.
 - Controllare regolarmente il cavo di alimentazione dell'elettrotensile e, in caso di danneggiamento, farlo riparare da un tecnico qualificato.
 - Controllare regolarmente i cavi di prolunga e sostituirli se sono danneggiati.
 - Mantenere le impugnature pulite, asciutte e prive di grasso e olio.
 15. Scollegare l'elettrotensile dalla presa di corrente.
 - Quando non si utilizza l'elettrotensile, quando si esegue la manutenzione e quando si sostituiscono degli utensili (lame, punte e frese).
 16. Non lasciare la chiave all'interno dell'elettrotensile.
 - Prima di accenderlo, assicurarsi di rimuovere chiavi e strumenti di regolazione.
 17. Evitare l'accensione involontaria dell'elettrotensile.
 - Verificare che durante il collegamento della spina alla presa di corrente che l'apparecchio sia spento.
 18. Utilizzare i cavi di prolunga all'aperto.
 - Quando si utilizza l'elettrotensile all'aperto assicurarsi di utilizzare il cavo di prolunga idoneo e recante l'etichetta di omologazione per esterni.

Istruzioni di sicurezza aggiuntive

1. Quando si utilizzano lame con denti in metallo duro (rinforzato in carbonio) è preferibile usare lame con un angolo di taglio negativo o leggermente positivo. Non utilizzare lame con

- denti dal taglio profondo che potrebbero fare presa sul carter di protezione.
2. Attenzione: Prima di iniziare il lavoro assemblare con cura tutti i componenti. Seguire la procedura indicata.
 3. Se non si ha familiarità con l'utilizzo di un utensile di questo tipo è consigliabile informarsi prima presso un professionista, un istruttore o un tecnico.
 4. Prima di eseguire il taglio fissare sempre il pezzo da lavorare o premerlo con forza contro la guida della sega. L'uso di tutte le possibili configurazioni di serraggio è preferibile piuttosto che usare le mani.
 5. Importante: Se per eseguire il taglio si sta tenendo il pezzo con la mano, mantenere una distanza minima di 100 mm dalla lama.
 6. Premere sempre il pezzo contro il banco.
 7. Mantenere la lama affilata e controllare regolarmente se ruota liberamente senza vibrazioni anomale. Se necessario, sostituire la lama.
 8. Lasciare che la macchina ruoti liberamente fino a raggiungere il massimo numero di giri, prima di avviare il lavoro.
 9. Mantenere le prese d'aria nella parte posteriore e inferiore della sega circolare da tavolo e del motore elettrico per prolungare la vita utile dell'elettrotensile. I mucchietti di polvere devono essere rimossi.
 10. Bloccare sempre tutti i vari tipi di impostazioni dell'angolo di taglio prima di iniziare a lavorare.
 11. Acquistare esclusivamente lame adatte in grado di compiere un numero di giri di almeno 6000 giri al minuto.
 12. Usare esclusivamente la lama corretta. Le lame troppo piccole o troppo grandi sono estremamente pericolose.
 13. Ispezionare regolarmente la lama per rilevare la presenza di eventuali guasti. Se necessario, sostituire la lama.
 14. Prima di montare la nuova lama, lubrificarla e pulire le flange, quindi montare la lama nella direzione corretta e tirare le flange con forza mediante l'apposito bullone centrale.
 15. Utilizzare solo flange originali. Tutti gli altri tipi non sono adatti.
 16. Non lavorare mai senza il carter di protezione montato.
 17. Anche la parte mobile del carter di protezione deve rimanere montata.
 18. Non lubrificare mai la lama mentre sta ruotando.
 19. Tenere sempre le mani lontano dal percorso delle lame.
 20. Non afferrare mai il pezzo da lavorare con le mani lungo o dietro la lama.
 21. Prima di accendere l'elettrotensile assicurarsi che il pezzo da lavorare non tocchi mai la lama.
 22. Non utilizzare questo elettrotensile per tagliare pezzi di metallo o pietra.
 23. Per sostenere i pezzi lunghi utilizzare gli appositi ausili di supporto.
 24. Non utilizzare l'elettrotensile in un ambiente pericoloso, in cui siano presenti gas o liquidi infiammabili.
 25. Non lasciare mai l'elettrotensile incustodito senza averlo prima scollegato dalla rete elettrica.
 26. Se si avvertono rumori anomali, cercare di rintracciarli o portare l'elettrotensile presso l'officina di un installatore o centro di riparazioni riconosciuti.
 27. Se un componente è rotto o danneggiato, sostituirlo o farlo riparare immediatamente.
 28. Mai stare mai davanti alla lama, ma stare a sinistra o a destra del banco della sega.
 29. Analogamente, posizionare le mani lateralmente rispetto al percorso della lama.
 30. Per spingere il pezzo di legno attraverso la sega, utilizzare sempre uno spingipezzo.
 31. Posizionare sempre il pezzo di legno nella parte anteriore del banco della sega e spingerlo più indietro.
 32. Per eseguire tagli obliqui utilizzare esclusivamente la guida regolabile e rimuovere la battuta di finecorsa.
 33. Non utilizzare mai la battuta di finecorsa come misura lineare per tagliare le travi.
 34. Se la lama è bloccata, prima di occuparsi del problema, spegnere l'elettrotensile.
 35. Evitare che i pezzi da lavorare rimbalzino indietro nella propria direzione adottando le seguenti misure:
 - *Utilizzare sempre lame affilate.*
 - *Non tagliare pezzi troppo piccoli.*
 - *Non rilasciare il pezzo prima di averlo spinto completamente attraverso la sega.*
 - *Regolare sempre la guida parallelamente alla lama.*
 - *Non rimuovere la protezione della sega.*
 36. Prima di proseguire il lavoro taglio, assicurarsi di stare in piedi con fermezza e che le mani siano nella posizione richiesta.

37. Per pulire l'elettrotensile non utilizzare mai solventi. Per la pulizia utilizzare solo un panno umido.
38. Non utilizzare lame danneggiate o deformate.
39. Sostituire l'inserito del banco quando è usurato.
40. Utilizzare solo le lame specificate dal produttore, concepite per la lavorazione di legno o materiali simili ai sensi della normativa EN847-1.
41. Prestare attenzione alla lama selezionata, che dipende dal materiale da tagliare.
42. Durante il taglio collegare la sega da banco a un dispositivo di raccolta della polvere.
43. Uso e corretta regolazione del cuneo divisore
44. Uso e corretta regolazione della protezione.
45. Prestare attenzione nell'eseguire delle scanalature.

Quando si sostituisce la lama, assicurarsi che la larghezza della lama non sia inferiore piccolo e che lo spessore della lama principale non superi lo spessore del cuneo separatore.

Indossare dispositivi di protezione individuale, quali:

- protezione acustica per ridurre il rischio di perdita dell'udito
- protezione per gli occhi
- protezione delle vie respiratorie per ridurre il rischio di inspirare polveri nocive
- guanti quando si maneggiano le lame e materiali grezzi (se possibile, i raccomanda di trasportare le lame all'interno di un contenitore)



Attenzione! Non utilizzare lame HSS.

- Inserire lo spingipezzo nel rispettivo supporto quando non è in uso.
- Utilizzare un'asta o un blocco per guidare il pezzo in lavorazione.



Attenzione! Non usare la sega per creare pieghe o scanalature.

- Utilizzare esclusivamente lame, la cui velocità massima sia almeno quella indicata sulla sega e che siano adatte per il materiale da tagliare..
- Durante il trasporto, la parte superiore della lama deve essere coperta dalla protezione.

Spegnere immediatamente l'elettrotensile nei seguenti casi:

- cavo di alimentazione o spina difettosi;
- interruttore difettoso;
- surriscaldamento della macchina;
- odore di bruciato o fumo.

Sicurezza elettrica

Quando si utilizzano apparecchi elettrici, osservare sempre le norme di sicurezza vigenti nel proprio Paese per ridurre il rischio di incendi, scosse elettriche e lesioni personali. Leggere le istruzioni di sicurezza riportate di seguito oltre a quelle allegate al presente manuale.



Controllare sempre che la tensione di alimentazione corrisponda a quella indicata sulla targhetta posta sull'elettrotensile.

Sostituzione di cavi o spine

Liberarsi immediatamente di vecchi cavi o spine vecchi dopo averli sostituiti. È pericoloso inserire la spina di un cavo allentato nella presa a muro.

Utilizzo di prolunghe

- Per l'alimentazione dell'elettrotensile utilizzare sempre una linea non caricata e/o un cavo di prolunga con conduttori di almeno 1,5 mm² e protetto con un fusibile da 16 A. Assicurarsi che tale cavo di prolunga non sia più lungo di 20 metri.
- Questo elettrotensile può essere collegato alla rete monofase (230-240 V / 50 Hz). In caso di dubbio in merito alle disposizioni relative alla messa a terra, consultare prima un elettricista.

2. INFORMAZIONI RELATIVE

Uso previsto

Questo elettrotensile è inteso come macchina stazionaria per eseguire tagli dritti longitudinali e trasversali nel legno duro e morbido, privo di corpi estranei, quali chiodi, viti e malta.

Dati tecnici

Modello n.°	TSM1036
Tensione	230-240V~
Frequenza	50 Hz
Potenza assorbita	800W
Velocità a vuoto	2950/min

Angoli smussati	0° <> +45°
Dimensioni della lama	Ø200×2,4 ×Ø 16mm
Numero di denti	24T
Altezza max. del pezzo da lavorare a 90°	43 mm
Altezza max. del pezzo da lavorare a 45°	27 mm
Spessore del cuneo divisore	2.2 mm
Spessore del corpo lama	1.8 mm
Peso	13 kg
Lpa (livello di pressione sonora)	99.6 +3 dB(A)
Lwa (livello di potenza sonora)	112.6 +3 dB(A)
Valore vibrazioni	<2.5 m/s ²

Livello delle vibrazioni

Il livello di emissione delle vibrazioni indicato sul retro di questo manuale di istruzioni è stato misurato in conformità a un test standardizzato stabilito dalla norma EN 60745; questo valore può essere utilizzato per mettere a confronto un l'utensile con un altro o come valutazione preliminare di esposizione alla vibrazione quando si impiega l'utensile per le applicazioni menzionate.

- se si utilizza l'utensile per applicazioni diverse, oppure con accessori differenti o in scarse condizioni, il livello di esposizione potrebbe aumentare notevolmente.
- i momenti in cui l'utensile è spento oppure è in funzione ma non viene effettivamente utilizzato per il lavoro, possono contribuire a ridurre il livello di esposizione.

Proteggersi dagli effetti della vibrazione effettuando la manutenzione dell'utensile e dei relativi accessori, mantenendo le mani calde e organizzando i metodi di lavoro.

DESCRIZIONE

La numerazione indicata nel seguente testo rimanda alle immagini della pagina 2-6

1. Superficie del tavolo
2. Protezione della lama
3. Asta spingipezzo
4. Lama della sega
5. Cuneo separatore
6. Inserto banco
7. Guida parallela
8. Pomello anteriore per regolazione angolare
9. Pomello posteriore per regolazione angolare
10. Scala angolare
11. Interruttore di accensione/spengimento
12. Pomello per la guida parallela

13. Indicatore scala angolare
14. Guida per taglio diagonale
15. Dado per lama della sega
16. Adattatore aspirapolvere
17. Vite a testa svasata
18. Rientranza a forma di L nel cuneo separatore
19. Vite di fissaggio
20. Fori di fissaggio
21. Scanalatura nella superficie del banco
22. Righello
23. Prolunga per guida taglio obliquo
24. Pomelli per la guida taglio obliquo
25. Porta per l'estrazione di polveri
26. Piastra di serraggio per la guida parallela
27. Rondella per la guida parallela
28. Pomello per angolo di taglio obliquo
29. Chiave grande
30. Chiave piccola
31. Copertura lama sega
32. Vite a croce per copertura lama sega
33. Pomello per protezione
34. Dado per protezione
35. Vite con quadro sottotesta per protezione
36. Dadi a galletto

3. MONTAGGIO



Prima di eseguire qualsiasi lavoro sulla macchina, scollegare la spina dalla presa di corrente.

Installazione / rimozione della protezione della lama fig. A, B, C

1. Aprire il pomello (33) il più possibile fino a quando il pomello (33) non tocca il dado (34) come da figura B. Attenzione: non regolare il dado (34).
2. Spingere la vite con quadro sottotesta (35) il più possibile attraverso la protezione della lama (2) affinché il profilo quadro della vite con quadro sottotesta (35) sporga dalla protezione della lama (2).
3. Montare la protezione della lama (2) mediante la vite con quadro sottotesta (35) nella rientranza a forma di L (18) del cuneo separatore (5): prima in avanti e poi verso il basso come da fig. C.
4. Spingere poi la vite con quadro sottotesta (35) di nuovo all'indietro inserendo il profilo quadro nella rientranza nella protezione della lama (2).

- Serrare il pomello (33) il più possibile.
Attenzione: la protezione della lama superiore deve potersi muovere liberamente. Lo smontaggio avviene in ordine inverso.

Sostituzione dell'inserto del banco fig. D



Un inserto banco (6) usurato o danneggiato deve essere sostituito immediatamente.

In caso di usura o danneggiamento l'inserto banco deve essere sostituito. In caso contrario sussiste il rischio di lesioni.

- Rimuovere la protezione della lama (2) come da spiegazione nel paragrafo di cui sopra.
- Allentare le viti a testa svasata (17).
- Sostituire l'inserto banco (6). Il nuovo inserto banco è installato in ordine inverso.

Regolazione del cuneo separatore fig. E, F

- Rimuovere la protezione della lama (2) come da spiegazione nel paragrafo di cui sopra.
- Allentare le viti (19) e rimuovere il cuneo separatore (5). La distanza tra la lama della sega (4) e il cuneo separatore (5) dovrebbe essere pari a 3-8 mm come da fig. F.
- Assicurarsi che il cuneo separatore sia diritto e centrato dietro la lama della sega (4).

Montaggio / modifica della lama fig. G, H



Per installare la lama indossare guanti di protezione. Pericolo di lesioni personali in caso di contatto con la lama..



Utilizzare esclusivamente lame che corrispondano alle caratteristiche riportate nelle istruzioni per l'uso. Utilizzare esclusivamente lame sulle quali è marcata una velocità uguale o maggiore alla velocità marcata sulla troncatrice.



Non usare in nessun caso dei dischi abrasivi come dispositivo di taglio.

- Rimuovere la copertura lama sega (31) allentando le viti a croce (32).
- Allentare il dado collegando la chiave grande (29) al dado e utilizzando la chiave piccola (30) sull'albero motore per controbilanciare. Attenzione: girare il dado in direzione della rotazione della lama della sega.

- Rimuovere la flangia esterna e rimuovere la lama della sega (4).
- Pulire accuratamente le flange della lama della sega prima di installare la nuova lama della sega. Sostituire e stringere la nuova lama della sega in ordine inverso.



La freccia marcata sulla lama, che indica la direzione di rotazione deve puntare nella stessa direzione della freccia marcata sull'elettrotoutensile. I denti della lama devono essere rivolti verso il basso verso la parte anteriore della sega.

- Prima di iniziare a lavorare di nuovo con la sega, è necessario verificare la funzione dei dispositivi di protezione.
- Avvertenza! Dopo ciascun cambio della lama della sega (2), verificare che la protezione della lasi apra e si chiuda come previsto. Verificare in aggiunta se la lama della sega (4) giri liberamente nella protezione della lama (2).
- Avvertenza! Verificare dopo ciascun cambio della lama della sega che la lama della sega (4) possa muoversi liberamente nell'inserto banco (6), quando si trova in posizione verticale e quando è inclinata di 45°.

Fissaggio su una sottostruttura fig. A

I fori di fissaggio (20) sul telaio della macchina vengono utilizzati per collegare il dispositivo su una base solida e piana come un banco da lavoro. Il materiale di montaggio compatibile (viti, ecc.) è disponibile nei negozi specializzati.

Estrazione di polvere fig. I

La sega è equipaggiata con un sistema di estrazione della polvere.

- Inserire l'adattatore aspirapolvere (16) nella porta per l'estrazione di polveri (25). Si consiglia vivamente di utilizzare un sistema di aspirazione delle polveri adatto al materiale, laddove possibile.
- Verificare e pulire regolarmente i canali di aspirazione.

Conservazione di parti sciolte fig. A, I

Quando non in uso, è possibile collegare la levetta di spinta (3), la guida parallela (7) e la guida taglio obliquo (14). La levetta di spinta (3) può essere conservata nel corpo della macchina come da fig.

A. La guida taglio obliquo (14) può essere fissata al corpo della macchina mediante il dado ad alette (36) come da fig. I.

guida parallela. Dopo una nuova regolazione, eseguire un taglio di prova per verificare le dimensioni.

4. UTILIZZO

Accensione / spegnimento

Fig A

- Premere l'interruttore in posizione "1" per mettere in funzione l'elettrotensile.
- Per spegnere l'elettrotensile lo stesso interruttore deve essere premuto in posizione "0".
- Tenere sempre il cavo di alimentazione lontano dai componenti in movimento.

Guida parallela fig. A, J, K

Durante la cesoiatura di parti in legno deve essere utilizzata la guida parallela (7).

- Installare la guida parallela (7) sulla superficie del banco (1) mediante la piastra di fissaggio (26); le rondelle (27) e i pomelli (12): Al di fuori del banco della sega: impostare la vite (12) e la rondella (27); all'interno del banco della sega: banco di serraggio (26).

Modi utente

La guida parallela (7) in dotazione dispone di due differenti superfici della guida di altezza, una su ciascun lato della guida. Utilizzare il lato di altezza inferiore per pezzi in lavorazione piatti, l'altezza di arresto superiore per pezzi in lavorazione con altezza importante.

1. Per modificare l'altezza dell'arresto, aprire i pomelli (12) sulla guida parallela (7) e rimuoverla dal banco.
2. Ruotare la guida parallela (7) di 180 ° affinché l'estremità anteriore sia rivolta all'indietro.
3. Serrare di nuovo il pomello (12).

Larghezza di taglio

La guida parallela (7) può essere montata su ambo i lati della superficie del banco (1).

1. Allentare i due pomelli (12).
2. Mediante l'aiuto del righello (22) sulla superficie del banco (1) la guida parallela (7) può essere regolata sulla dimensione desiderata.
3. Serrare i due pomelli (12) per fissare la guida parallela (7).
4. In aggiunta al display della scala, misurare la larghezza di taglio tra la lama della sega e la

Guida taglio obliquo fig. L

Per tagli trasversali di parti di legno è necessario utilizzare la guida taglio obliquo (14).

1. Fissare la prolunga guida taglio obliquo (23) alla guida taglio obliquo (14) mediante i pomelli per la guida taglio obliquo (24).
2. Spingere la guida taglio obliquo (14) nella scanalatura (21) della superficie del banco.
3. Allentare il pomello per l'angolo di taglio obliquo (28).
4. Ruotare la prolunga della guida taglio obliquo (23) fino a quando la freccia è rivolta verso l'angolo desiderato.
5. Serrare di nuovo il pomello per l'angolo di taglio obliquo (28).
6. Verificare la distanza tra la prolunga della guida taglio obliquo (23) e la lama della sega (4).

Avvertenza! Non spingere troppo la prolunga della guida taglio obliquo (23) verso la lama della sega. La distanza tra la prolunga della guida taglio obliquo (23) e la lama della sega (4) dovrebbe essere di circa 2 cm. In caso di necessità allentare i due pomelli per la guida taglio obliquo (24) e regolare la prolunga della guida taglio obliquo (23). Riserrare poi i pomelli della guida taglio obliquo (24).

Regolazione angolare fig. A, I

1. Allentare sia il pomello posteriore per regolazione angolare (8), sia quello posteriore per regolazione angolare (9).
2. Regolare l'angolo della lama della sega facendo scivolare i due pomelli (8, 9) fino a quando l'indicatore (13) non coincide con l'angolo desiderato sulla scala angolare (10).

Istruzioni operative

Sono possibili due metodi di taglio:

- Taglio nel senso della lunghezza (Fig. K)
Il pezzo in lavorazione viene segato seguendo le venature del legno.
- Taglio trasversale mediante l'uso della guida per taglio ad angolo (Fig. L)
Il pezzo viene segato trasversalmente.



Per entrambi i metodi di taglio deve essere utilizzata una guida. Perciò non si deve mai segare senza una guida!

Attenzione! Prima di iniziare a segare, controllare i seguenti punti:

1. La lama è fissata saldamente?
2. Sono fissate tutte le leve di bloccaggio?
3. La guida è parallela alla lama?
4. Il carter di protezione funziona correttamente?
5. Si stanno indossando gli occhiali di protezione?
6. La lama frega contro qualcosa?



E' assolutamente necessario verificare questi punti in considerazione prima di iniziare a lavorare!

Taglio longitudinale

- Bloccare la guida nella posizione di misurazione corretta e rimuovere la guida per il taglio trasversale dal carrello del banco.
- Premere il legno leggermente verso il banco e lasciarlo scivolare contro la guida per il taglio trasversale.



Posizionarsi ad almeno 3 cm di distanza dalla parte anteriore della lama prima di avviare il motore. Il lato del legno che si trova contro la guida deve essere completamente diritto. Tenere le mani ad almeno 10 cm di distanza dal percorso di taglio della lama.

- Avviare il motore e attendere che la lama abbia raggiunto il numero massimo di giri prima di iniziare il taglio.
- Premendo il pezzo di legno contro il banco e la guida, è possibile spingere attentamente il pezzo attraverso la lama senza forzarlo.
- Non tirare mai il pezzo all'indietro. Se necessario, spegnere prima il motore senza modificare la posizione del pezzo.

Taglio longitudinale ad angolo (verticale)

Questo metodo è praticamente lo stesso, a parte il fatto che la lama è posizionata con l'angolazione richiesta.



Con questo metodo la guida può solo trovarsi lungo il lato destro della lama.

Taglio longitudinale di pezzi stretti



Si tenga presente che questa operazione è estremamente pericolosa.

Adottare tutte le misure di sicurezza necessarie e spingere continuamente il pezzo fino a passare la lama, utilizzando uno spingipezzo al posto delle mani.

Taglio trasversale

- Rimuovere la guida e applicare la guida per il taglio trasversale nel carrello di destra.
- Regolare l'altezza della lama (vedere taglio longitudinale).
- Premere il pezzo da lavorare contro la guida per il taglio trasversale e mantenere almeno 2,5 cm di distanza dalla parte anteriore della lama. Avviare il motore e attendere che la lama abbia raggiunto il numero massimo di giri.
- Accendere il motore e attendere fino a quando è stato raggiunto il numero di giri.
- Premere il pezzo da lavorare contro la guida e il banco. Spingere con cautela il pezzo di legno attraverso la lama. Continuare a spingere il pezzo fino a passare la lama, quindi spegnere il motore e mantenere questa posizione fino al completo arresto della lama prima di rimuovere il pezzo di legno.
- Non tirare il pezzo all'indietro. Se necessario, spegnere il motore e spegnere il motore e mantenere la posizione fino a quando la lama non si sarà fermata completamente.

Crosswise sawing with a vertical mitre

Questo metodo è praticamente lo stesso, a parte il fatto che la lama è posizionata con l'angolazione richiesta.



Posizionare la guida per il taglio trasversale solo sul lato destro della lama. Non tagliare mai pezzi di legno troppo piccoli. Non usare mai le mani per svolgere operazioni difficili.

Taglio trasversale ad angolo orizzontale

Con questo metodo la guida per il taglio trasversale deve essere fissata con l'angolazione richiesta. Tenere premuto con forza il pezzo da lavorare contro la guida per il taglio trasversale prima di iniziare a tagliarlo.

5. ASSISTENZA & MANUTENZIONE



Assicuratevi che la macchina non sia sotto tensione quando eseguite lavori di manutenzione del motore.

Questa macchina è stata progettata per funzionare per un lungo periodo di tempo con un minimo di manutenzione. Un funzionamento continuo e soddisfacente dipende dalla cura appropriata della macchina e da una regolare pulizia.

L'AMBIENTE

Per prevenire danni durante il trasporto la macchina viene consegnata con un resistente imballaggio con materiale prevalentemente riciclabile. Fare quindi uso delle opzioni di riciclaggio dell'imballaggio.



Gli apparecchi elettrici difettosi e/o eliminati devono essere raccolti presso le appropriate unità di riciclaggio.

Soltanto per paesi CE.

Non smaltire gli elettroutensili nei contenitori per rifiuti domestici. Ai sensi della Direttiva 2012/19/ EU del Parlamento europeo in materia di Rifiuti da apparecchiature elettriche ed elettroniche e della relativa attuazione nell'ambito della legislazione nazionale, gli elettroutensili inutilizzabili devono essere raccolti separatamente e smaltiti in modo ecocompatibile.

GARANZIA

Le condizioni di garanzia sono riportate nella scheda di garanzia allegata separatamente.

Questo prodotto ed il presente manuale utente sono soggetti a modifiche. Le specifiche possono essere modificate senza preavviso.

BORDCIRKELSÅG TSM1036

Tack för att du har köpt denna Fermprodukt. Genom att göra så har du nu en utmärkt produkt, levererad av en av Europas ledande leverantörer. Alla produkter som Ferm levererar till dig tillverkas enligt de högsta standarderna för prestanda och säkerhet. Som en del av vår filosofi tillhandahåller vi också utmärkt kundtjänst som täcks av vår omfattande garanti. Vi hoppas att du kommer att ha glädje av denna produkt i många år framöver.

1. ÅKERHETSANVISNINGAR VARNING



Läs de medföljande säkerhetsvarningarna, de kompletterande säkerhetsvarningarna och anvisningarna.

Underlåtenhet att följa säkerhetsvarningarna och anvisningarna kan orsaka elstöt, brand och/eller allvarlig skada. Spara säkerhetsvarningarna och anvisningar na för framtida bruk.

Följande symboler används i användarhandboken eller på produkten:



Läs användarhandboken..



Anger risk för personskada, dödsfall eller skada på verktyget om anvisningarna i denna handbok inte följs.



Risk för elstöt



Förbipasserande får inte komma för nära



Använd en skyddsmask mot damm



Bär ögon- och hörselskydd



Håll händerna borta från skärområdet medan elverktyget körs. Kontakt med sågbladet kan leda till personskador.



Risikområde! Håll händer, fingrar eller armar borta från detta område.



Klass I-maskin. Denna apparat är klassad som skyddsklass I och måste anslutas till ett jordat eluttag.



Produkten uppfyller gällande säkerhetsnormer i EU-direktiven.



Observera måtten på sågbladet. Håldiametern måste matcha verktygsspindelns utan spel. Om det är nödvändigt att använda reducerare, se till att dimensionerna på reduceraren är lämpliga för basbladets tjocklek och sågbladets diameter, såväl som verktygsspindeldiametern. Använd så långt det är möjligt reducerare som medföljer sågbladet. Sågbladets diameter måste matcha den information som anges på symbolen.

SÄRSKILDA SÄKERHETSANVISNINGAR

OBS! Vid användning av elektriska verktyg för att skydda mot elektriska stötar, skador och brand följande grundläggande säkerhetsåtgärder måste följas. Se till att läsa alla dessa instruktioner innan du använder denna maskin, hålla säkerhetshäfte och bevara den väl för senare bruk.

- Håll alltid din arbetsplats ren och städad.
 - En stökigt arbetsplatsen kan leda till oönskade olyckor.
- Tänk på miljöpåverkan.
 - Utsätt inte verktyget för regn.
 - Använd inte verktyget i fuktig eller våt miljö.
 - Se till att din arbetsutrymme har tillräcklig belysning.
 - Använd inte verktyget i områden där det finns en brand eller explosionsrisk.
- För att skydda dig från en elektrisk stöt.
- Håll andra personer borta
 - Håll andra personer borta särskilt barn, låt dem inte röra ditt elverktyg eller kablar och håll barnen borta från arbetsområdet.
- Förvara oanvända elverktyg säkert.
 - Oanvända elverktyg borde låsas in eller lagras på en plats som är torr och utom räckhåll för barn.
- Överbelasta inte elverktyget.
 - Du arbetar bättre och säkrare i det angivna effektområdet.
- Använd rätt elverktyg.
 - Använd inte strömsnåla maskiner för tungt arbete
 - Använd inte verktyget för ändamål som de inte är avsedda för. Till exempel du ska inte klippa trädgrenar eller en trä logg med en handsåg.
- Använd lämplig klädsel.
 - Bär inte löst sittande kläder eller smycken. De kan fastna i de rörliga delarna.
 - När du arbetar utomhus stadiga skor rekommenderas.
 - För långt hår, bär hårnät.
- Använd skyddsutrustning.
 - Använd skyddsglasögon
 - När du gör arbete som genererar damm, använd en andningsmask.
- Anslut dammsugaren
 - Om anslutningen till dammsugaren finns då vet du att dessa är anslutna och används på rätt sätt.
- Använd inte kabeln för ändamål som den inte är avsedd för.
 - Använd inte kabeln till kontakten för att dra ut den ur vägguttaget. Skydda kabeln från hetta, olja och vassa kanter.
- Säkra verktyget.
 - Använd klämmor eller ett skruvstöd för att hålla verktyget. Det är säkrare än att hålla den med handen.
- Undvik en onormal kroppshållning.
 - Det ger stabilitet och håller dig balanserad vid alla tidpunkter.
- Håll och underhålla verktyg med skötsel.
 - Håll skärverktyg vassa och rena, vilket garanterar att du arbetar bättre och att det är så säkert som möjligt.
 - Följ smörj och verktygsbyte instruktioner.
 - Kontrollera anslutningskabeln av elverktyget regelbundet och låt en kvalificerad expert reparera eventuella skador.
 - Kontrollera förlängningskablar regelbundet och byt ut dem om de är skadade.
 - Håll handtagen rena, torra och fria från fett och olja.

15. Koppla bort verktyget från strömuttaget.
 - När du inte använder verktyget, när du utför underhåll och när du utför underhållning av ditt verktyg, såsom byte av blad, borrar och fräsar.
16. Lämna inte nyckeln inuti verktyget.
 - Innan du slår på den, se till att nycklar och inställningsverktyg har rensas.
17. Undvik att oavsiktligt slås på verktyget.
 - Kontrollera att när du ansluter kontakten i uttaget att strömmen är avstängd.
18. Använd förlängningskablar medan utomhus.
 - När du använder elverktyg utomhus se till att använda en lämplig och godkänd märkt förlängningskabel.

Speciella säkerhetsföreskrifter

1. Vid användning av sågblad med hårdmetalltänder rekommenderar vi blad med negativ eller måttligt positiv sågvinkel. Använd inga sågblad med djupt utskurna tänder. De kan gripa tag i skyddskåpan.
2. Tänk på: Montera först omsorgsfullt alla delar innan du börjar med arbetet. Följ det tillvägagångssätt som angetts.
3. Om du inte är väl förtrogen med användningen av en sådan utrustning är det bättre att du först får anvisningar av fackfolk, en instruktör eller av en tekniker.
4. Kläm alltid fast arbetsstycket eller tryck det ordentligt mot sågstyrningen, innan du startar en arbetsgång. Att använda olika slags klämutrustning rekommenderas framför användning av händerna.
5. Viktigt: Om man måste hålla fast arbetsstycket med en hand under arbetsgången, ska du ha ett avstånd på minst 100 mm till sågbladet.
6. Tryck alltid arbetsstycket mot bordet.
7. Håll sågbladet vasst och kontrollera regelbundet om det kan gå runt fritt och utan stora vibrationer. Byt ut sågbladet när det behövs.
8. Låt maskinen först gå utan belastning tills max hastighet uppnåtts, innan arbetsgången påbörjas.
9. Kontrollera och rengör luftintagen på baksida och undersida på bordssågen och elektromotorn, så att utrustningen går med längre. Dammsamlingar ska undvikas.
10. Sätt alltid fast de olika gradinställningarna innan du börjar med ett arbete.
11. Köp bara passande sågblad som tål en hastighet på minst 6000 v/min.
12. Använd alltid rätt sågblad. För små eller för stora sågblad är ytterst farligt.
13. Inspektera regelbundet sågbladet på eventuella defekter. Byt ut sågbladet om det behövs.
14. Avlägsna fett från ett nytt sågblad och rengör flänsarna, innan du monterar det nya sågbladet. Montera sågbladet i rätt riktning och dra åt flänsarna kraftigt med centralbulten.
15. Använd bara originalflänsar. Alla andra är olämpliga.
16. Arbeta aldrig utan sågbladets skyddskåpa.
17. Även den rörliga delen på skyddskåpan ska vara monterad.
18. Sågbladet får aldrig smörjas medan det går.
19. Håll alltid händerna borta från sågbladets arbetsgång.
20. Ta aldrig upp ett arbetsstycke med händerna utmed eller bakom sågbladet.
21. Se till att arbetsstycket inte går mot sågbladet innan maskinen slagits på.
22. Bearbeta aldrig metaller eller stenmaterial med den här maskinen.
23. Använd stöd för långa arbetsstycken.
24. Använd aldrig maskinen i en farlig omgivning där det finns brännbara gaser eller vätskor.
25. Lämna aldrig maskinen obebakad efter utan att du har kopplat ifrån strömmen.
26. Om du hör onormala ljud, försök spåra var de kommer ifrån eller lämna in maskinen till en behörig installatör eller reparationsfirma.
27. Om en maskindel gått sönder eller blivit skadad, byt ut den eller reparera den direkt.
28. Se till att du själv aldrig kommer in i sågens arbetsgång utan stå eller gå till vänster eller till höger om sågbordet.
29. Du ska också ha händerna utanför sågbladets arbetsgång.
30. Använd alltid en träpinne istället för händerna för att trycka träet genom sågen.
31. Sätt arbetsstycket alltid på sågbordets framsida och skjut det sen bakåt.
32. Vid geringsågning används bara den inställbara styrningen så du tar bort längdstyrningen.
33. Använd aldrig längdstyrningen som längdmått vid kapning av balkar.
34. Vid låsning av sågbladet: koppla först ifrån maskinen innan du avhjälper defekten.

35. Undvik att arbetsstycken slår rekyl i din riktning genom att:

- Alltid använda vassa sågblad
- Inte såga alltför små arbetsstycken
- Aldrig släppa arbetsstycket innan det helt och hållet har skjutits genom sågen
- Alltid ställa in styrningen parallell med sågbladet
- Aldrig avlägsna sågskyddet.

36. Se alltid till, innan du återupptar sågverksamheter, att du står stadigt och har händerna i önskat läge.

37. Använd aldrig förtunningsmedel för att rengöra maskinen utan använd bara en fuktig trasa.

38. Ikke bruk sagblader som er skadet eller deformert.

39. Skift ut bordinnsättningen när den er utslitt.

40. Använd endast anges av tillverkaren sågblad som uppfyller när de är avsedda för bearbetning av trä eller liknande material, EN 847-1.

41. Se till att välja sågblad utifrån vilken typ av material som skall sågas till.

42. Anslut cirkelsågar till en anordning för damminsamling när du sågar.

43. Använd och korrigera inställningen på klyvkniven.

44. Använd och korrigera inställningen på det övre sågbladsskyddet.

45. Var försiktig vid slitssågning.

Se till att, när sågklingan byts, klingans bredd inte är mindre än och huvudklingans tjocklek på sågklingan inte är större än tjockleken på spaltkniven.

Använd personlig skyddsutrustning som skall inkludera:

- Hörselskydd för att minska risken för hörselskador
- Ögonskydd
- Andningsskydd för att minska risken för skadligt damm
- Handskar när klingor och grovt material hanteras (rekommenderas att sågklingor, när så är möjligt, bärs i en behållare)



Varning! Använd inte HSS-klingor.

- Placera påskjutaren i dess behållare när den inte används.
- Använd en påskjutare eller påskjutarkloss för att styra arbetsstycket.



Varning! Använd inte sågen för falsning eller spontning.

- Använd endast sågklingor vars maximala hastighet anges på sågen och som är lämpligt för det material som skall sågas.
- Under transporten skall den över delen av sågklingan vara täckt av skyddet.
- Du skall stänga av maskinen direkt vid:
- Söndrig stickkontakt, elsladd eller elledning.
- Söndrig omkopplare.
- Överhettning av maskinen.
- Rök eller illaluktande rök från svedd isolering.

Elektrisk säkerhet

Vid användning av elektriska maskiner, iakttä alltid de säkerhetsföreskrifter som gäller lokalt i samband med brandfara, fara för elektriska stötar och kroppsskada. Läs förutom nedanstående instruktioner även igenom bladet med säkerhetsföreskrifter som bifogas separat. Förvara instruktionerna omsorgsfullt!



Kontrollera alltid om din nätspänning överensstämmer med värdet på typplattan.

Vid utbyte av kablar eller stickkontakter

Släng omedelbart bort gamla kablar eller stickkontakter så fort de har ersatts av nya exemplar. Det är farligt att sticka in stickkontakten till en lös kabel i vägguttaget.

Vid användning av förlängningskablar

- Använd för strömförsörjning till den här maskinen alltid en obelastad linje och/eller en förlängningssladd på minst 1,5 mm² som är skyddad genom ett 16 A skydd. Se till att förlängningssladden inte är längre än 20 m.
- Maskinen kan kopplas till ett enfas-nät (230-240 V~, 50 Hz). Om du tvekar om din strömförsörjning är rätt, kontakta då först en elektriker.

2. MASKININFORMATION

Avsedd användning

Detta elverktyg är avsett som en stationär maskin för att göra längsgående och tvärgående kapningar i hårt och mjukt trä utan främmande föremål såsom spikar, skruvar och murbruk.

Tekniska specifikationer

Modellnr	TSM1036
Spänning	230-240V~
Frekvens	50 Hz
Effektförbrukning	800W
Varvtal, obelastad	2950/min
Fasningsvinklar	0° <> +45°
Sågklinga	Ø200×2,4 ×Ø 16mm
Sågtänder	24T
Max. workpiece height 90°	43 mm
Max. workpiece height 45°	27 mm
Tjocklek på klyvkniven	2.2 mm
Bladtjocklek	1.8 mm
Vikt	13 kg
Lpa (bullernivå)	99.6 +3 dB(A)
Lwa (bullereffekt)	112.6 +3 dB(A)
Vibrationsvärde	<2.5 m/s ²

Vibrationsnivå

Vibrationsemissionsvärdet som står på baksidan av den här instruktionsboken har uppmätts enligt ett standardiserat test i enlighet med EN 60745; detta värde kan användas för att jämföra vibrationen hos olika verktyg och som en ungefärlig uppskattning av hur stor vibration användaren utsätts för när verktyget används enligt det avsedda syftet

- om verktyget används på ett annat än det avsedda syftet eller med fel eller dåligt underhållna tillbehör kan detta drastiskt öka vibrationsnivån
- när verktyget stängs av eller är på men inte används, kan detta avsevärt minska vibrationsnivån

Skydda dig mot vibration genom att underhålla verktyget och dess tillbehör, hålla händerna varma och styra upp ditt arbetssätt

BESKRIVNING

Siffrorna i texten hänvisar till diagrammen på sidorna 2-6.

1. Bordsyta
2. Bladskydd
3. Påskjutare
4. Sågblad
5. Klyvkniv
6. Bordsinsats
7. Parallellanslag
8. Främre vred för vinkeljustering
9. Bakre vred för vinkeljustering
10. Vinkelskala
11. Växelbrytare
12. Vred för parallellanslag
13. Vinkelskalaindikator
14. Geringsanslag
15. Mutter för sågblad
16. Dammsugaradapter
17. Försänkt skruv
18. L-format urtag i klyvkniven
19. Fästskruv
20. Monteringshåll
21. Spår i bordets yta
22. Linjal
23. Förlängning för geringsstyrning
24. Vred för geringsstyrning
25. Dammsugningsuttag
26. Spännplatta för parallellanslag
27. Bricka för parallellanslag
28. Vred för geringsvinkel
29. Stor nyckel
30. Liten nyckel
31. Sågbladsskydd
32. Stjärnskruv för sågbladsskydd
33. Vred för skydd
34. Mutter för skydd
35. Vagnsbult för skydd
36. Vingmutter

3. MONTERING



Innan något arbete utförs på maskinen, dra ut stickkontakten ur vägguttaget.

Montering/demontering av sågbladsskydd Bild A, B, C

1. Öppna vredet (33) så långt som möjligt tills vredet (33) vidrör muttern (34), som visas på figur B. Observera: justera inte muttern (34).
2. Tryck vagnbulten (35) så långt som möjligt genom sågbladsskyddet (2) så att den

fyrkantiga profilen på vagnbulten (35) sticker ut från sågbladskyddet (2).

- Montera sågbladskyddet (2) med vagnbulten (35) i det L-formade urtaget (18) på klyvkniven (5): först framåt och sedan nedåt, som visas på figur C.
- Tryck sedan tillbaka vagnskruven (35) igen, med den fyrkantiga profilen in i urtaget i sågbladskyddet (2).
- Dra åt vredet (33) så långt som möjligt. Observera: det övre sågbladsskyddet måste kunna röra sig fritt. Demontering utförs i omvänd ordning.

Sätta tillbaka bordsinsatsen

Bild D



En sliten eller skadad bordsinsats (6) måste bytas ut omedelbart.

Vid slitage eller skador måste bordsinsatsen bytas ut. Annars finns det en större risk för skador.

- Ta bort sågbladskyddet (2) som förklarats i ovanstående stycke.
- Lossa de försänkta skruvarna (17).
- Byt ut bordsinsatsen (6). Den nya bordsinsatsen monteras i omvänd ordning.

Justera klyvkniven

Bild E, F

- Ta bort sågbladskyddet (2) som förklarats i ovanstående stycke.
- Lossa skruvarna (19) och ta bort klyvkniven (5). Avståndet mellan sågbladet (4) och klyvkniven (5) bör vara 3-8 mm, som visas på figur F.
- Se till att klyvkniven är rak och centrerad bakom sågbladet (4).

Montering/byte av sågblad

Bild G, H



När du monterar sågbladet, använd skyddshandskar. Risk för skador om man kommer i kontakt med sågbladet.



Använd endast sågblad som motsvarar de karakteristiska data som anges i bruksanvisningen. Använd endast sågblad som är markerade med en hastighet som är lika högre eller högre än den hastighet som är markerad på maskinen.



Använd absolut inte slipskivor som skärverktyg.

- Ta bort sågbladsskyddet (31) genom att lossa stjärnskruvarna (32).
- Lossa muttern genom att fästa den stora skruvnyckeln (29) på muttern och använda den lilla nyckeln (30) på motoraxeln för att motverka. OBS: vrid muttern i sågbladets rotationsriktning.
- Ta bort den yttre flänsen och ta bort sågbladet (4).
- Rengör sågbladets flänsar försiktigt innan du installerar det nya sågbladet. Byt ut och dra åt det nya sågbladet i omvänd ordning.



Pilen som är markerad på sågklingan indikerar rotationsriktningen.

Den måste peka i samma riktning som pilen som är markerad på maskinen, sågklingans tänder måste peka nedåt på framsidan av sågen.

- Innan du börjar arbeta med sågen igen måste skyddsanordningens funktionalitet kontrolleras.
- Varning! Kontrollera att sågbladskyddet (2) öppnas och stängs efter behov vid varje byte av sågblad. Kontrollera också om sågbladet (4) går fritt i sågbladskyddet (2).
- Varning! Kontrollera att sågbladet (4) kan röra sig fritt i bordsinsatsen (6), i vertikalt läge och lutar till 45° efter varje byte av sågblad.

Fästning på en underkonstruktion fig. A

Monteringshålen (20) på maskinramen används för att fästa enheten på en fast, platt bas, t.ex. på en arbetsbänk. Matchande monteringsmaterial (skruvar etc.) finns i specialbutiker.

Dammutsugning fig. I

Sågen är utrustad med ett dammutsugningssystem.

- Sätt in dammugnsningsadaptern (16) i dammutsugningsöppningen (25).
- Det rekommenderas starkt att använda ett dammutsugningssystem som är lämpligt för materialet där det är möjligt.
- Kontrollera och rengör sugkanalerna regelbundet.

Förvaring av lösa delar

Bild A, I

När de inte används kan påskjutaren (3), parallellanslaget (7) och geringsstödet (14) sättas fast. Påskjutaren (3) kan förvaras i maskinhuset, som visas i figur A. Geringsstödet (14) kan fästas på maskinhuset med vingmuttern (36) som visas i figur I.

4. ANVÄNDNING

Påslagning/avstängning

Bild A

- Tryck omkopplaren till position '1' för att placera maskinen i driftläge.
- Stäng av maskinen med samma omkopplare som trycks till positionen '0'
- Håll alltid elkabeln undan från rörliga delar.

Parallellanslag

Bild A, J, K

Vid kapning av trädelar måste parallellanslaget (7) användas.

- Montera parallellanslaget (7) på bordsytan (1) med spännplattan (26); brickor (27) och vred (12): Utanför sågbordet: ställ in skruven (12) och brickan (27); insidan av sågbordet: spännplattan (26).

Användarlägen

Det medföljande parallellanslaget (7) har två olika höjdstyrtor, en på varje sida av styrningen. Använd den nedre höjden för plana arbetsstycken, den högre stopphöjden för höga arbetsstycken.

1. För att ändra stoppets höjd öppnar du vreden (12) på parallellanslaget (7) och tar bort det från bordet.
2. Vrid parallellanslaget (7) 180 ° så att främre änden pekar mot baksidan.
3. Dra åt vreden (12) igen.

Skärbredd

Parallellanslaget (7) kan monteras på båda sidor om bordsytan (1).

1. Lossa de två vreden (12).
2. Med hjälp av linjalen (22) på bordsytan (1) kan parallellanslaget (7) justeras till önskad storlek.
3. Dra åt de två vreden (12) för att fixera parallellanslaget (7).

4. Förutom att titta på skalan, mät skärbredden mellan sågbladet och parallellanslaget. Efter en ny inställning, gör en testsågning för att kontrollera måtten.

Geringsstöd

Bild L

För kapning av trädelar måste geringstyrningen (14) användas.

1. Fäst geringstyrförlängningen (23) på geringstyrningen (14) med vreden för geringstyrningen (24).
2. Tryck in geringstyrningen (14) i spåret (21) på bordets yta.
3. Lossa vredet för geringsvinkeln (28).
4. Vrid geringstyrförlängningen (23) tills pilen pekar på önskad vinkel.
5. Dra åt vredet för geringsvinkeln (28) igen.
6. Kontrollera avståndet mellan geringstyrförlängningen (23) och sågbladet (4).

Varning! Tryck inte geringstyrförlängningen (23) för långt mot sågbladet. Avståndet mellan geringstyrförlängningen (23) och sågbladet (4) bör vara ungefär 2 cm. Lossa vid behov de två vreden för geringstyrningen (24) och justera geringstyrförlängningen (23). Därefter drar du åt vreden för geringstyrningen (24).

Vinkeljustering

Bild A, I

1. Lossa både det främre vredet för vinkeljustering (8) och det bakre vredet för vinkeljustering (9).
2. Justera sågbladets vinkel genom att skjuta de två vreden (8, 9) tills indikatorn (13) matchar önskad vinkel på vinkelskalan (10).
3. Dra åt både det främre vredet för vinkeljustering (8) och det bakre vredet för vinkeljustering (9).

Arbetsinstruktioner

Det finns två olika sågmetoder:

- Sågning på längden (bild K)
Sågning av arbetsstycket på längden av träfibren
- Sågning tvärs över eller kapning, använd geringsanslaget (bild L)
Såga av arbetsstycket tvärs över



För båda sågningsmetoderna måste en av anslagen användas. Såga därför aldrig utan ett anslag!

Observera! Innan du börjar såga, kontrollera först följande:

1. Sitter sågbladet fast?
2. Sitter alla låsningshandtagen fast?
3. Står längdstyrningen parallell med sågbladet?
4. Fungerar skyddsglasögon riktigt?
5. Bär du skyddsglasögon?
6. Går sågbladet inte emot någonstans?



Det är absolut nödvändigt att iaktta dessa punkter innan du börjar med en verksamhet!

Längdsågning

- Lås längdstyrningen vid rätt måttläge och ta bort kapningsstyrningen ur bordsslåden
- Tryck lätt på arbetsstycket mot bordet och låt det glida mot kapningsstyrningen.



Stå minst 3 cm från sågbladets framkant innan du slår på motorn. Arbetsstyckets kant som ligger mot längdstyrningen ska vara helt rak. Håll händerna minst 10 cm, från det sågspår som ska följas.

- Slå på motorn och vänta tills sågbladet nått sin max hastighet, innan du börjar med sågarbetet.
- Medan du trycker arbetsstycket mot bordet och längdstyrningen, kan du skjuta det mjukt genom sågbladet utan att forcera.
- Dra aldrig tillbaka arbetsstycket. Om det skulle behövas, koppla då först ifrån motorn utan att ändra på arbetsstyckets läge.

Längdsågning med (vertikal) gering

Den här metoden är praktiskt taget samma, förutom att sågbladet sätts i önskad vinkel.



Vid detta slags metoder får längdstyrningen enbart stå utmed sågbladets högra sida

Längdsågning av smala arbetsstycken



Utgå ifrån att denna arbetsgång är ytterst farlig.

Vidta alla behövliga försiktighetsåtgärder och skjut hela tiden fram arbetsstycket (tills bakom sågbladet) med en anhållsplatta i stället för med handen.

Tvärsågning

- Ta bort längdstyrningen och sätt tvärstyrningen i höger slåde.
- Reglera sågbladets höjd (se längdsågning).
- Tryck arbetsstycket mot tvärstyrningen och håll minst 2,5 cm avstånd från sågbladets framkant.
- Slå på motorn och vänta tills max hastighet upp-nåtts.
- Tryck arbetsstycket mot styrningen och mot bordet. Skjut det mjukt genom sågbladet. Fortsätt tills BAKOM sågbladet. Slå sen ifrån motorn och håll kvar läget tills sågbladet står helt stilla, innan du tar bort arbetsstycket.
- Dra ALDRIG tillbaka arbetsstycket. Om det skulle behövas, slå först ifrån motorn och håll kvar läget tills sågbladet står helt stilla innan du tar bort arbetsstycket.

Tvärsågning med vertikal gering

Den här metoden är praktiskt taget den samma, förutom att sågbladet ställs in på önskad vinkel.



Placera tvärstyrningen enbart på sågbladets högra sida. Såga aldrig för små arbetsstycken. Använd aldrig händerna för att utföra en invecklad arbetsgång.

Tvärsågning med horisontal gering

Vid den här metoden gäller det att du nu låser tvärstyrningen i önskad vinkel. Håll arbetsstycket kraftigt mot tvärstyrningen och bordet, innan du börjar såga.

5. SERVICE & UNDERHÅLL



Säkerställ att maskinen är skild från nätet när du utför underhållsarbeten på motorn.

Denna maskin har konstruerats för att fungera över en längre tidsperiod med ett minimum underhåll. Kontinuerlig tillfredsställande funktion beror på korrekt skötsel och regelbunden rengöring.

MILJÖ

För att förhindra transportskador, levereras maskinen i solid förpackning som mestadels består av återvinningsbart material. Vi ber dig därför att använda dig av möjligheten att återvinna förpackningen.



Trasiga och/eller avlagda elektriska eller elektroniska apparater måste lämnas till de speciella återvinningsstationerna.

Endast för EU-länder

Släng inte elverktyg i hushållsavfallet. Enligt det europeiska WEEE-direktivet 2012/19/EU för avfall från elektrisk och elektronisk utrustning och dess tillämpning nationellt ska elverktyg som inte längre kan användas samlas in separat och kasseras på ett miljövänligt sätt.

GARANTI

Garantivillkoren finns på det bifogade garantikortet.

Med förbehåll för ändringar i produkten och bruksanvisningen. Specifikationer kan ändras utan förvarning.

PÖYTÄPYÖRÖSAHA TSM1036

Kiitämme tämän Ferm-tuotteen hankkimisesta. Olette hankkineet erinomaisen tuotteen, jonka tarjoaa yksi Euroopan johtavista toimittajista. Kaikki Fermiin valmistamat tuotteet on valmistettu korkeimpien suorituskykyä ja turvallisuutta koskevien standardien mukaisesti. Osana filosofiaamme tarjoamme myös korkealuokkaisen asiakaspalvelun sekä kaiken kattavan takuun. Toivomme, että nautitte tämän tuotteen käytöstä monien vuosien ajan.

1. TURVALLISUUSOHJEET VAROITUS



Lue tämän ohjekirjan varoitukset, lisäturvallisuusohjeet ja ohjeet. Jos turvallisuusvaroituksia ja ohjeita ei noudateta, seurauksena voi olla sähköisku, tulipalo ja/tai vakava henkilövahinko. Säilytä turvallisuusvaroitukset ja ohjeet tulevaa käyttöä varten.

Ohjekirjassa ja tuotteessa käytetään seuraavia merkkejä:



Lue ohjekirja.



Ilmoittaa henkilövahingon, kuoleman tai työkalun vaurioitumisen vaarasta, jos tämän ohjekirjan ohjeita ei noudateta.



Sähköiskun vaara.



Älä päästä ulkopuolisia lähelle laitetta.



Käytä pölysuojain



Käytä suojalaseja ja kuulonsuojaimia.



Pidä kädet kaukana leikkausalueelta sähkötyökalun ollessa käynnissä. Sahanterään koskettaminen voi aiheuttaa henkilövahinkoja.



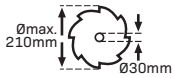
Vaara-alue! Pidä kädet, sormet ja käsivarret kaukana tältä alueelta.



Luokan I kone. Tämä laite on luokiteltu suojausluokkaan I ja se on kytkettävä maadoitettuun pistorasiaan.



Tuote täyttää Euroopan direktiivien soveltuvien turvallisuusstandardien vaatimukset.



Huomaa sahanterän mitat. Reiän halkaisijan on sovittava työkalun karaan, välystä ei saa olla. Jos kavennuskappaleiden käyttö on tarpeen, varmista kavennuskappaleen mittojen sopivuus alaterän paksuuteen ja sahanterän reiän halkaisijaan sekä työkalun karan halkaisijaan. Käytä sahanterän mukana toimitettuja kavennuskappaleita aina kun mahdollista. Sahanterän halkaisijan tulee olla symboliin merkittyjen tietojen mukainen.

ERITYISET TURVALLISUUSOHJEET

HUOMAUTUS! Kun käytät sähkötyökaluja suojautua sähköiskun, loukkaantumisen ja tulipalon seuraavat perustiedot turvatoimia on noudatettava. Muista lukea nämä ohjeet ennen kuin käytät tätä sähkötyökalua, pitää turvallisuus kirjanen ja säilyttää se hyvin myöhempää käyttöä varten.

- Pidä työpaikkasi järjestyksessä ja puhtaana.
 - Sotkuinen työpiste saattaa johtaa epätoivottuihin onnettomuuksiin.
- Huomioi käyttöympäristön olosuhteet.
 - Älä jätä sähkötyökalua sateeseen.
 - Älä käytä sähkötyökalua kosteassa tai märässä ympäristössä.
 - Varmista riittävä valaistus työkohteessasi.
 - Älä käytä sähkötyökalua paikoissa joissa on tulipalo- tai räjähdysvaara.
- Suojaa itsesi sähköiskulta.
 - Vältä vartalokontaktia maadoitettuihin kohteisiin (esim. putket, lämpöpatterit, uuneihin, jääkaappeihin jne).
- Pidä muut ihmiset poissa työskentelyalueeltasi.
 - Pidä muut ihmiset, varsinkin lapset poissa työpisteeltäsi, älä anna heidän koskea sähkötyökaluusi tai sen johtoon, älä päästä lapsia työskentelyalueen läheisyyteen.
- Säilytä sähkötyökaluja turvallisesti, kun et käytä niitä.
 - Kun työkaluja ei käytetä, ne tulee lukita tai säilöä paikkaan joka on kuiva, ja poissa lasten ulottuvilta.
- Älä ylikuormita sähkötyökalujasi.
 - Työskentelet paremmin ja turvallisemmin määritellyllä tehoalueella.
- Käytä sopivia työkaluja.
 - Älä käytä pienitehoisia koneita raskaaseen työhön.
 - Älä käytä työkaluja muihin, kuin niille tarkoitettuihin käyttötarkoituksiin. Et voi esimerkiksi leikata puunhaaroja tai hakata halkoja sahalla.
- Käytä oikeanlaista vaatetusta.
 - Älä käytä löyhiä vaatteita tai koruja; ne saattavat tarttua liikkuviin osiin.
 - Ulkona työskennellessä on suositeltava käyttää luistamattomia kenkiä.
 - Jos sinulla on pitkät hiukset, käytä hiusverkkoa.
- Käytä suojavarusteita.
 - Käytä suojalaseja.
 - Jos työssäsi syntyy pölyä, käytä hengityssuojainta.
- Liitä imulaite
 - Jos yhteys imuriin ja keräimeen ovat saatavilla, ne ovat käytettävissä ja oikein kytkeyty.
- Älä käytä johtoa asioihin, joihin sitä ei ole tarkoitettu.
 - Älä vedä johdosta irrottaessasi sitä pistorasiasta. Suojaa johto kuumuudelta, öljyltä ja teräviltä kumilta.
- Kiinnitä sähkötyökalu.
 - Pidä kiristimillä tai ruuvipuristimella kiinni sähkötyökalusta. Se on turvallisempaa, kuin pitää siitä kiinni kädellä.
- Vältä luonnottomia työskentelyasentoja.
 - Näin varmistat pidon ja pysyt tasapainossa kokoajan.

14. Käytä ja huolla sähkötyökalujasi huolellisesti.
- Pitämällä leikkausarmat terävinä ja puhtaina, varmistat paremman työskentelyn mahdollisimman turvallisesti.
 - Noudata voitelu- ja latausohjeita.
 - Tarkista virtajohdon kunto säännöllisesti, ja korjauta mahdolliset vauriot ammattilaisella.
 - Tarkista jatkojohdot säännöllisesti, ja korvaa ne uusilla jos vioittuneet.
 - Pidä kahvat puhtaina ja kuivina rasvasta ja öljystä.
15. Irrota sähkötyökalu virtalähteestä.
- Kytke irti pistorasiasta aina kun et käytä sähkötyökalua, huollat sitä tai kun vaihdat siihen työkaluja, kuten teriä, poria ja leikkureita.
16. Älä jätä avaimia kiinni työkaluun.
- Ennen päällekytkemistä varmista, että avaimet ja muut esiasetustyökalut on poistettu.
17. Vältä kytkemästä virtaa päälle tahattomasti.
- Kytkiessäsi johtoa pistorasiaan, varmista että sähkötyökalussa ei ole virta päällä.
18. Käytä jatkojohtoa työskennellessäsi ulkona.
- Käyttäessäsi työkalua ulkona, varmista että jatkojohto on kunnollinen ja ulkokäyttöön tarkoitettu.
- epänormaalia värinä. Vaihda sahanteriä, mikäli tarpeen.
8. Ennen kuin aloitat työstämisen, anna koneen pyöriä vapaasti, kunnes ensimmäiskierros on saavutettu.
9. Koneen kunnossapitämiseksi huolla pöytäsaahakoneen ja sähkömoottorin takana ja alla olevat ilmanottoaukot. Vältä pölytukoksia.
10. Lukitse aina erivättesä astesäädöt, ennen kuin aloitat työstämisen.
11. Osta ainoastaan sovitettuja sahanteriä, joiden kierros on vähintään 6000 kpm.
12. Käytä ainoastaan oikeanlaista sahanteriä. Liian pienet tai suuret sahanterät ovat äärimmäisen vaarallisia.
13. Tarkista säännöllisesti, onko sahanteriä mahdollisesti vioittunut. Vaihda sahanteriä, mikäli tarpeen.
14. Poista uudesta sahanterästä rasva ja puhdistalaipat, ennen kuin asennat uuden terän. Asenna terä sen jälkeen oikeassa suunnassa ja kiristä laippoja lujasti keskuspultin avulla.
15. Käytä ainoastaan alkuperäisiä laippoja. Muita ei ole sovitettu.
16. Älä koskaan työskentele ilman sahanterän suojakupua.
17. Myös suojakuvun liikkuvan osan oltava asennettuna.
18. Älä koskaan rasvaa sahanteriä, kun se pyörii.
19. Pidä kädet aina poissa sahanterän ulottuvilta.
20. Älä koskaan nosta työstettävää kappaletta tarttumalla käsin sahanteriä pitkin tai sen takaa.
21. Pidä huoli siitä, että työstettävä kappale ei koskaan osu sahanteriä vasten, ennen kuin kone on käynnistetty.
22. Älä koskaan työstä metallia tai kivilajeja tällä koneella.
23. Kun työstät pitkiä kappaleita, käytä tukia.
24. Älä koskaan käytä konetta vaarallisessa ympäristössä, jossa on helposti syttyviä kaasuja tai nesteitä.
25. Älä koskaan jätä konetta ilman valvontaa, ennen kuin olet kytkenyt sen ensin irti virtaverkosta.
26. Jos kuulet epänormaaleja ääniä, yritä löytää niiden lähde tai vie kone tunnistetulle asentajalle tai korjauspajaan.
27. Jos osa on katkennut tai vioittunut, vaihda tai korjaa se välittömästi.
28. Älä koskaan asetu sahanterän ulottuville, vaan seisoo sahauspöydän vasemmalla tai oikealla puolella.

Tärkeitä turvaohjeita

1. Käytettäessä sahanteriä, joiden hampaat ovat kovametallista, on suositeltavaa että käytetään teriä, joiden leikkauskulma on negatiivinen tai kohtalaisen positiivinen. Älä käytä sahanteriä, joiden hampaat on leikattu syvään. Ne voivat tarttua suojakuppuun.
2. Varo: Asenna ensin huolellisesti kaikki osat, ennen kuin aloitat työstämisen. Noudata annettua menettelytapaa.
3. Mikäli et ole tottunut vastaavanlaisen koneen käyttöön, kysy ensin neuvoa ammatti-ihmisiltä, neuvojalta tai teknikolta.
4. Purista tai paina työstettävä kappale aina tukevasti sahanohjainta vasten, ennen kuin aloitat työstämisen. Käytä mieluummin kaikenlaisia puristimia kuin käsiäsi.
5. Tärkeää: Jos työstettäessä kappaleesta pidetään käsin kiinni, pidä kädet vähintään 100 mm: in etäisyydellä sahanterästä.
6. Paina työstettävä kappale aina pöytää vasten.
7. Pidä sahanteriä terävänä ja tarkista säännöllisesti, että se pyörii vapaasti ilman

29. Käsien on myös oltava sahanterän ulottumattomissa.
30. Käytä aina puukeppiä työstettävän kappaleen työntämiseen sahan läpi, älä käsiäsi.
31. Aseta puu aina sahapöydän etupuolelle ja työnnä sitä sitten kauemmas taakse.
32. Viistosahattaessa käytetään ainoastaan säädettävää ohjainta ja poistetaan pituusohjain.
33. Älä koskaan käytä pituusohjainta mittana palkkeja lyhennettäessä.
34. Sahanterän tukkeutuessa: sammuta ensin laite ennen kuin alat korjata vauriota.
35. Jotta vältät sen, että työstettävä kappale lyödään takaisin suuntaasi:
- Käytä aina teräviä sahanteriä;
 - *Älä sahaa liian pieniä kappaleita;*
 - *Älä koskaan päästä työstettävää kappaletta irti, ennen kuin se on työnnetty kokonaan sahan läpi;*
 - *Älä koskaan ota sahausuojaa pois.*
36. Ennen kuin ryhdyt uudelleen sahaamaan, huolehdi siitä, että seisot tukevasti ja että kätesi ovat halutussa asennossa.
37. Älä koskaan käytä koneen puhdistamiseen ohennusaineita. Käytä puhdistamiseen ainoastaan kosteaa liinaa.
38. Älä käytä viallisia tai vääntyneitä teriä.
39. Vaihda kulunut pöytäkappale.
40. Käytä vain valmistajan määrittämiä sahanterät että täytettävä, kun ne on tarkoitettu puun tai vastaavien materiaalien, EN 847-1. 41. Valitse terä leikattavan materiaalin mukaan.
42. Kytke pyörösaha käytön aikana pölynpoistojärjestelmään.
43. Käytä halkaisuterää ja tarkista sen asento.
44. Käytä yläterän suojusta ja tarkista sen asento.
45. Ole varovainen työstäessäsi uria. Sahanterän vaihtamisen yhteydessä tulee varmistaa, ettei terän leveys ole pienempi ja ettei sahanterän pääterän paksuus ylitä halkaisuveitsen paksuutta. Käytä henkilökohtaisia suojavarusteita, joita voivat olla:
- Kuulonsuojaimet kuulovammojen vaaran välttämiseksi
 - Suojalasit
 - Hengityssuojaimet haitallisen pölyn aiheuttamien vaarojen välttämiseksi
 - Suojakäsineet teriä ja karkeapintaisia materiaaleja käsitellessä (suositus, sahanterät ovat suojissa aina kuin mahdollista)



Varoitus! Älä käytä HSS-teriä.

- Aseta työntötanko vastaavaan pidikkeeseen, kun sitä ei käytetä.
- Ohjaa työstökappaletta työntötangolla tai -kappaleella.



Varoitus! Älä käytä sahaa kynteiden tai urien luomiseen.

- Käytä ainoastaan sahanteriä, joiden maksiminopeus on vähintään sahasa ilmoitettu nopeus ja jotka sopivat leikattavaan materiaaliin.
- Sahanterän yläosa on suojattava suojuksella kuljetuksen aikana.

Pysäytä kone välittömästi jos:

- Pistoke tai johto on viallinen.
- Kytkin on viallinen.
- Kone on ylikuumentunut.
- Savua tai käryä erittyy.

Sähköturvallisuus

Sähkölaitteita käytettäessä on aina noudatettava paikallisia turvamääräyksiä tulipalon, sähköiskujen ja loukkaantumisten välttämiseksi. Lue alla olevat ohjeet ja erilliset turvaohjeet huolellisesti. Säilytä nämä ohjeet!



Tarkista aina, ovatko verkkojännitte ja koneen tyyppikilvessä ilmoitettu jännite yhteen sopivia.

Johdon tai pistokkeen vaihtaminen

Heitä käytöstä poistetut johdot ja pistokkeet heti pois. On vaarallista työntää irrotetun johdon pistoke pistorasiaan.

Jatkojohtojen käyttö

- Käytä laitteen virtalähteenä aina kuormittamatonta johtoa ja/tai jatkojohtoa, jonka johtimet ovat vähintään 1,5 mm², suojattuna 16A suojalla. Huolehdi siitä, että jatkojohto ei ole pidempi kuin 20 metriä.

Laite voidaan liittää yksivaiheiseen verkkoon (230-240 V~ 50 Hz). Mikäli et ole varma virtalähteen laadusta, kysy ensin neuvoa sähköasentajalta.

2. KONEEN TIEDOT

Käyttötarkoitus

Tämä sähkötyökalu on tarkoitettu käytettäväksi paikoillaan suorien pituus- ja poikittaissuuntaisten leikkauksien suorittamiseksi kovaan ja pehmeään puuhun, jossa ei ole vieraita esineitä (esim. nauvoja, ruuveja tai laastia).

Tekniset tiedot

Model No.	TSM1036
Jännite	230-240V~
Taajuus	50 Hz
Kulutettu teho	800W
Kierrosnopeus, kuormittamaton	2950/min
Viistekulmat	0° <> +45°
Terä kapasiteetti	Ø200×2,4 ×Ø 16mm
Halkeamia	24T
Max. työkappaleen korkeus ääressä 90°	43 mm
Max. työkappaleen korkeus ääressä 45°	27 mm
Paksuus jakovetse	2.2 mm
Terän vahvuus	1.8 mm
Paino	13 kg
Lpa (äänenpainetaso)	99.6 +3 dB(A)
Lwa (äänentehotas)	112.6 +3 dB(A)
Tärinäarvo	<2.5 m/s ²

Tärinätaso

Tämän ohjekirjan takana mainittu tärinäsaiteilytaso on mitattu standardin EN 60745 mukaisen standarditestin mukaisesti; sitä voidaan käyttää verrattaessa yhtä laitetta toiseen sekä alustavana tärinälle altistumisen arviona käytettäessä laitetta mainituissa käyttötarkoituksissa

- laitteen käyttö eri käyttötarkoituksiin tai erilaisten tai huonosti ylläpidettyjen lisälaitteiden kanssa voi lisätä merkittävästi altistumistasoa
- laitteen ollessa sammuksissa tai kun se on käynnissä, mutta sillä ei tehdä työtä, altistumistaso voi olla huomattavasti pienempi

Suojaudu tärinän vaikutuksilta ylläpitämällä laite ja sen lisävarusteet, pitämällä kädet lämpiminä ja järjestämällä työmenetelmät

KUVAUS

Tekstin numerot viittaavat sivujen X kaavioihin 2-6.

1. Pöydän pinta
2. Teräsuojus
3. Työntökeppi

4. Sahanterä
5. Halkaisuterä
6. Pöytäosa
7. Parallellanslag
8. Etunuppi kulman säätämiseen
9. Takanuppi kulman säätämiseen
10. Kulma-asteikko
11. Virtakytkin
12. Rinnakkaisohjaimen nuppi
13. Kulma-asteikon ilmaisin
14. Geringsanslag
15. Sahanterän mutteri
16. Imurin sovitin
17. Uppokantaruuvi
18. Halkaisuterän L-muotoinen syvennys
19. Kiinnitysruuvi
20. Asennusreiät
21. Ura pöydän pinnassa
22. Viivain
23. Viisteohjaimen jatke
24. Viisteohjaimen nupit
25. Pölynpoistoportti
26. Rinnakkaisohjaimen kiinnityslevy
27. Rinnakkaisohjaimen aluslevy
28. Viistekulman nuppi
29. Suuri ruuviavain
30. Pieni ruuviavain
31. Sahanterän suojuus
32. Sahanterän suojuksen ristipääruuvi
33. Suojuksen nuppi
34. Suojuksen mutteri
35. Suojuksen kohokantaruuvi
36. Vingmutter

3. ASENTAMINEN



Irrota pistoke virtalähteestä ennen koneen käsittelymistä.

Sahanterän suojuksen asentaminen/ irrottaminen (kuvat A, B, C)

1. Avaa nuppi (33) mahdollisimman auki, kunnes nuppi (33) koskettaa mutteria (34) kuvan B mukaisesti. Huomaa: älä säädä mutteria (34).
2. Paina kohokantaruuvi (35) mahdollisimman syväälle sahanterän suojukseen (2), jotta kohokantaruuvien (35) neliöprofiili tulee ulos sahanterän suojuksesta (2).
3. Asenna sahanterän suojuus (2) kohokantaruuvilla

(35) halkaisuterän (5) L-muotoiseen syvennykseen (18): ensin eteenpäin ja sitten alaspäin kuvan C mukaisesti.

4. Paina sitten kohokantaruuvi (35) takaisin asettamalla neliöprofiili sahanterän suojuksen (2) syvennykseen.
5. Kiristä nuppi (33) mahdollisimman kireälle. Huomio: sahanterän yläsuojuksen tulee voida liikkua vapaasti. Osat puretaan päinvastaisessa järjestyksessä.

Pöytäosan vaihtaminen

Kuva D



Kulunut tai vaurioitunut pöytäosa (6) tulee vaihtaa välittömästi.

Jos pöytäosa on kulunut tai vaurioitunut, se tulee vaihtaa. Muutoin henkilövahingon vaara on suurempi.

1. Poista sahanterän suojuksen (2) edellisen kappaleen ohjeita noudattaen.
2. Löysää uppokantaruuvia (17).
3. Vaihda pöytäosa (6). Uusi pöytäosa asennetaan päinvastaisessa järjestyksessä.

Halkaisuterän säätäminen

Kuvat E, F

1. Poista sahanterän suojuksen (2) edellisen kappaleen ohjeita noudattaen.
2. Löysää ruuvia (19) ja irrota halkaisuterä (5). Sahanterän (4) ja halkaisuterän (5) välisen etäisyyden tulee olla 3-8 mm kuvan F mukaisesti.
3. Varmista, että halkaisuterä on suorassa ja keskitetty sahanterän (4) taakse.

Sahanterän asentaminen/vaihtaminen

Kuvat G, H



Käytä suojakäsineitä sahanterän asentamisen aikana. Henkilövahinkovaara, jos sahanterään kosketaan.



Käytä ainoastaan sahanteriä, jotka ovat käyttöohjeiden määritysten mukaisia. Käytä ainoastaan sahanteriä, joissa on vähintään konetta vastaava nopeusmerkki.



Älä missään tapauksessa käytä hiomalaikkoja leikkausvälineenä.

1. Irrota sahanterän suojuksen (31) löysäämällä ristipääruuvia (32).
2. Löysää mutteria kiinnittämällä suuri ruuviavain (29) mutteriin ja käyttämällä pientä ruuviavainta (30) moottorin akselissa vastavoimana. Huomio: kierrä mutteria sahanterän kiertosuuntaan.
3. Poista ulkoinen laippa ja irrota sahanterä (4).
4. Puhdista sahanterän laipat varoen ennen uuden sahanterän asentamista. Asenna ja kiristä uusi sahanterä toimimalla päinvastaisessa järjestyksessä.



Pilen som är markerad på sågklingan indikerar rotationsriktningen.

Den måste peka i samma riktning som pilen som är markerad på maskinen, sågklingans tänder måste peka nedåt på framsidan av sågen.

- Tarkista suojarusteiden toiminta ennen kuin otat sahan uudelleen käyttöön.
- Varoitus! Tarkista sahanterän suojuksen (2) oikeaoppinen avautuminen ja sulkeutuminen aina sahanterän vaihtamisen yhteydessä. Tarkista lisäksi, että sahanterä (4) toimii vapaasti sahanterän suojuksessa (2).
- Varoitus! Tarkista sahanterän vaihtamisen yhteydessä, että sahanterä (4) liikkuu vapaasti pöytäosassa (6) pystyasennossa ja 45° kulmassa.

Alarakenteen kiinnittäminen

Kuva A

Laite voidaan asentaa tukevalle ja tasaiselle alustalle (esim. Työpöytään) käyttämällä koneen rungossa olevia asennusreikiä (20). Erikoisliikkeitä on saatavilla yhteensopivia asennusosia (ruuvia, jne.).

Pölynpoisto

Kuva I

Sahassa on pölynpoistojärjestelmä.

- Asenna imurin sovitin (16) pölynpoistoporttiin (25).
- Materiaaliin yhteensopivan pölynpoistojärjestelmän käyttöä suositellaan

aina kun mahdollista.

- Tarkista ja puhdista imukanavat säännöllisesti.

Irto-osien säilytys

Kuvat A, I

Työntökeppi (3), rinnakkaisohjain (7) ja viisteohjain (14) voidaan liittää, kun laitetta ei käytetä. Työntökeppiä (3) voidaan säilyttää koneen kotelossa kuvan A mukaisesti. Viisteohjain (14) voidaan kiinnittää koneen koteloon siipimutterilla (36) kuvan I mukaisesti.

4. OPERATION

Påslagning/avstängning

Kuva A

- Tryck omkopplaren till position '1' för att placera maskinen i driftläge.
- Stäng av maskinen med samma omkopplare som trycks till positionen '0'
- Håll alltid elkabeln undan från rörliga delar.

Rinnakkaisohjain

Kuvat A, J, K

Rinnakkaisohjainta (7) tulee käyttää puuosia katkaistaessa.

- Asenna rinnakkaisohjain (7) pöydän pintaan (1) käyttämällä kiinnityslevyä (26), aluslevyjä (27) ja nuppeja (12): Sahapöydän ulkopuolella: säätöruuvi (12) ja aluslevy (27). Sahapöydän sisäpuolella: kiinnityslevy (26).

Käyttötilat

Toimitetussa rinnakkaisohjaimessa (7) on kaksi ohjauspintaa eri korkeudella (ohjaimen eri puolilla). Käytä matalampaa korkeutta tasaisten työstökappaleiden käsittelemiseen ja korkeampaa pysäytyskorkeutta korkeiden työstökappaleiden käsittelemiseen.

1. Voit muuttaa pysäytyskorkeutta avaamalla nuppeja (12) rinnakkaisohjaimessa (7) ja irrottamalla sen pöydästä.
2. Käännä rinnakkaisohjainta (7) 180° niin, että etuosa osoittaa taakse.
3. Kiristä nupit (12) uudelleen.

Leikkausleveys

Rinnakkaisohjain (7) voidaan asentaa pöydän pinnan (1) molemmille puolille.

1. Löysää kahta nuppia (12).

2. Rinnakkaisohjain (7) voidaan säätää haluttuun kokoon käyttämällä viivainta (22) pöydän pinnassa (1).
3. Kiristä kaksi nuppia (12) rinnakkaisohjaimen (7) kiinnittämiseksi.
4. Mittaa asteikkonäytön lisäksi sahanterän ja rinnakkaisohjaimen välinen leikkausleveys. Suorita koeleikkaus uuden asetuksen jälkeen mittojen tarkistamiseksi.

Viisteohjain

Kuva L

Viisteohjainta (14) tulee käyttää puuosien poikkileikkaukseen.

1. Kiinnitä viisteohjaimen jatke (23) viisteohjaimen (14) käyttäen viisteohjaimen nuppeja (24).
2. Paina viisteohjain (14) pöydän pinnassa olevaan uraan (21).
3. Löysää viistekulman nuppia (28).
4. Käännä viisteohjaimen jatketta (23), kunnes nuoli osoittaa haluttuun kulmaan.
5. Kiristä viistekulman nuppi (28) uudelleen.
6. Tarkista viisteohjaimen jatkeen (23) ja sahanterän (4) välinen etäisyys.

Varoitus! Älä paina viisteohjaimen jatketta (23) liian kauas sahanterään. Viisteohjaimen jatkeen (23) ja sahanterän (4) välisen etäisyyden on oltava noin 2 cm. Löysää tarvittaessa viisteohjaimen (24) kahta nuppia ja säädä viisteohjaimen jatketta (23). Kiristä viisteohjaimen nupit (24) sen jälkeen uudelleen.

Kulman säätäminen

Kuvat A, I

1. Löysää sekä kulman säätämisen etunuppia (8) että takanuppia (9).
2. Säädä sahanterän kulma liu'uttamalla kahta nuppia (8, 9), kunnes ilmaisin (13) osoittaa haluttua kulmaa kulma-asteikossa (10).
3. Kiristä sekä kulman säätämisen etunuppi (8) että takanuppi (9).

Arbetsinstruktioner

Det finns två olika sågmetoder:

- Sågning på längden (bild K)
Sågning av arbetsstycket på längden av träfibrerna
- Sågning tvärs över eller kapning, använd geringsanslaget (bild L)
Såga av arbetsstycket tvärs över



För båda sågningsmetoderna måste en av anslagen användas. Såga därför aldrig utan ett anslag!

Observera! Innan du börjar såga, kontrollera först följande:

1. Sitter sågbladet fast?
2. Sitter alla låsningshandtagen fast?
3. Står längdstyrningen parallell med sågbladet?
4. Fungerar skyddskåpan riktigt?
5. Bär du skyddsglasögon?
6. Går sågbladet inte emot någonstans?



Det är absolut nödvändigt att iaktta dessa punkter innan du börjar med en verksamhet!

Längdsågning

- Lås längdstyrningen vid rätt måttläge och ta bort kapningsstyrningen ur bordsslåden
- Tryck lätt på arbetsstycket mot bordet och låt det glida mot kapningsstyrningen.



Stå minst 3 cm från sågbladets framkant innan du slår på motorn. Arbetsstyckets kant som ligger mot längdstyrningen ska vara helt rak. Håll händerna minst 10 cm, från det sågspår som ska följas.

- Slå på motorn och vänta tills sågbladet nått sin max hastighet, innan du börjar med sågarbetet.
- Medan du trycker arbetsstycket mot bordet och längdstyrningen, kan du skjuta det mjukt genom sågbladet utan att forcera.
- Dra aldrig tillbaka arbetsstycket. Om det skulle behövas, koppla då först ifrån motorn utan att ändra på arbetsstyckets läge.

Längdsågning med (vertikal) gering

Den här metoden är praktiskt taget samma, förutom att sågbladet sätts i önskad vinkel.



Vid detta slags metoder får längdstyrningen enbart stå utmed sågbladets högra sida

Längdsågning av smala arbetsstycken



Utgå ifrån att denna arbetsgång är ytterst farlig.

Vidta alla behövliga försiktighetsåtgärder och skjut hela tiden fram arbetsstycket (tills bakom sågbladet) med en anhållsplatta i stället för med handen.

Tvårsågning

- Ta bort längdstyrningen och sätt tvärstyrningen i höger slåde.
- Reglera sågbladets höjd (se längdsågning).
- Tryck arbetsstycket mot tvärstyrningen och håll minst 2,5 cm avstånd från sågbladets framkant.
- Slå på motorn och vänta tills max hastighet uppnåtts.
- Tryck arbetsstycket mot styrningen och mot bordet. Skjut det mjukt genom sågbladet. Fortsätt tills BAKOM sågbladet. Slå sen ifrån motorn och håll kvar läget tills sågbladet står helt stilla, innan du tar bort arbetsstycket.
- Dra ALDRIG tillbaka arbetsstycket. Om det skulle behövas, slå först ifrån motorn och håll kvar läget tills sågbladet står helt stilla innan du tar bort arbetsstycket.

Tvårsågning med vertikal gering

Den här metoden är praktiskt taget den samma, förutom att sågbladet ställs in på önskad vinkel.



Placera tvärstyrningen enbart på sågbladets högra sida. Såga aldrig för små arbetsstycken. Använd aldrig händerna för att utföra en invecklad arbetsgång.

Tvårsågning med horisontal gering

Vid den här metoden gäller det att du nu låser tvärstyrningen i önskad vinkel. Håll arbetsstycket kraftigt mot tvärstyrningen och bordet, innan du börjar såga.

5. HUOLTO & YLLÄPITO



Ennen kuin alat suorittaa koneen huoltotöitä varmista, ettei kone ole käynnissä.

Kone on suunniteltu toimimaan pitkään vähäisillä ylläpitotoimilla. Jatkuva tyydyttävä toiminta riippuu koneen oikeasta huollosta ja säännöllisestä puhdistamisesta.

YMPÄRISTÖ

Jotta osat eivät vahingoittuisi kuljetuksessa, tilaus toimitetaan vahvassa, pääosin kierrätettävästä materiaalista valmistetussa pakkauksessa. Siksi suosittelemme kierrättämään pakkausmateriaalin mahdollisuuksien mukaan.



Viallinen ja/tai käytöstä poistettu sähkölaite on hävitettävä toimittamalla se asianmukaiseen kierrätyspisteeseen.

Vain EC-maille

Älä hävitä sähkölaitteita kotitalousjätteen mukana. Sähkö- ja elektroniikkaromua koskevan EU-standardin 2012/19/EU ja vastaavien paikallisten lakien mukaisesti käytetyt sähkölaitteet on hävitettävä erillisessä erillisessä ympäristöstävällisesti.

TAKUU

Takuuehdot on määritelty koneen mukana toimitetussa erillisessä takuukortissa.

Tuotteeseen ja käyttöoppaaseen voidaan tehdä muutoksia. Teknisiä tietoja voidaan muuttaa ilmoituksetta.

BORDRUNDSAV TSM1036

Tak for dit køb af dette Ferm-produkt. Du har hermed tilegnet dig et fremragende produkt, der er leveret af en af Europas førende leverandører. Alle produkter, du modtager fra Ferm, er fremstillet i overensstemmelse med de højeste standarder inden for ydeevne og sikkerhed. Som en del af vores filosofi leverer vi også en fremragende kundeservice, der understøttes af vores omfattende garanti. Vi håber, at du vil få glæde af dette produkt mange år fremover.

1. SIKKERHEDSANVISNINGER



Læs de vedlagte sikkerhedsadvarsler, de yderligere sikkerhedsadvarsler og vejledningen. Hvis

sikkerhedsadvarslerne og vejledningen ikke følges, kan det resultere i elektrisk stød, brand og/eller alvorlige personskader. Gem sikkerhedsadvarslerne og vejledningen til fremtidig brug.

Følgende symboler anvendes i brugervejledningen eller på produktet:



Læs brugervejledningen.



Angiver risiko for personskade, dødsfald eller beskadigelse af værktøjet i tilfælde af manglende overholdelse af anvisningerne i denne vejledning.



Risiko for elektrisk stød.



Hold omkringstående på afstand



Når maskinen bruges, skal man bære støvmaske.



Brug beskyttelsesbriller og høreværn



Hold hænderne væk fra skæreområdet, mens elværktøjet kører. Kontakt med savklingen kan føre til personskader.



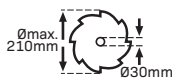
Fareområde! Hold hænder, fingre eller arme væk fra dette område.



Klasse I maskine. Dette apparat er klassificeret som beskyttelsesklasse I og skal tilsluttes en jordet stikkontakt.



Produktet er i overensstemmelse med de gældende sikkerhedsstandarder i EU direktiverne.



Bemærk savklingens dimensioner. Huldiametere skal passe til værktøjsspindlen uden slør. Hvis det er nødvendigt at bruge reduktionsmuffer, skal du sikre dig, at reduktionsmuffens dimensioner er egnede til bundklingegetykkelsen og savklingens hul diameter, samt værktøjsspindelens diameter. Brug, hvor det er muligt, reduktionsmufferne, der fulgte med savklingen. Savklingens diameter skal stemme overens med informationen, der er specificeret på symbolet.

SPECIFIKKE SIKKERHEDSANVISNINGER

VIGTIGT! Ved brug af elektriske værktøjer til beskyttelse mod elektrisk stød, skader og ild skal følgende grundlæggende sikkerhedsforanstaltninger overholdes. Sørg for at læse alle disse instruktioner, inden du bruger dette elværktøj; behold sikkerhedsbogen, og opbevar den omhyggeligt til senere brug.

- Hold altid din arbejdsplads ren og ryddelig.
 - En rodet arbejdsplads kan medføre uønskede ulykker.
- Vær opmærksom på miljøpåvirkninger.
 - Udsæt ikke elværktøjet for regn.
 - Brug ikke elværktøjet i et fugtigt eller vådt miljø.
 - Sørg for, at dit arbejdsområde har tilstrækkelig belysning.
 - Brug ikke elværktøjet i områder, hvor der er brand- eller eksplosionsfare.
- For at beskytte dig mod elektrisk stød.
 - Undgå kropskontakt med jordede dele (fx rør, radiatorer, elkømfurere, køleskabe osv.).
- Hold andre mennesker væk
 - Hold andre mennesker væk - særligt børn; lad dem ikke røre ved dit elværktøj eller kabel, og hold børnene væk fra dit arbejdsområde.
- Opbevar de elværktøjer, der ikke bruges, på en sikker måde.
 - Elværktøjer, der ikke bruges, bør opbevares aflåst eller på et sted, der er tørt og utilgængeligt for børn.
- Overbelast ikke dit elværktøj.
 - Du arbejder bedre og mere sikkert i det angivne effektområde.
- Brug det korrekte elværktøj.
 - Brug ikke maskiner med lav effekt til tungt arbejde
 - Brug ikke elværktøjet til formål, som det ikke er beregnet til. For eksempel kan du ikke skære grene eller træstammer med en håndsav.
- Brug egnet tøj.
 - Bær ikke løst tøj eller smykker; det kan blive trukket ind i delene, der bevæger sig.
 - Ved udendørs arbejde anbefales skridsikkert fodtøj.
 - Ved langt hår skal du bære hårnæ.
- Brug beskyttelsesudstyr.
 - Bær beskyttende briller
 - Ved arbejde der genererer støv skal du bruge åndedrætsmaske.
- Tilslut støvsugerenheden
 - Hvis der er forbindelse til støvsuger og opfanger, ved du, at disse er tilsluttet og korrekt brugt.
- Brug ikke kablet til formål, som det ikke er beregnet til.
 - Brug ikke kablet til forbindelsesstikket til at trække det ud af stikkontakten. Beskyt kablet mod varme, olie og skarpe kanter.
- Fastgør elværktøjet.
 - Brug klemmer eller et skruestik til at holde elværktøjet. Det er sikrere end at holde det med hånden.
- Undgå unormal kropsholdning.
 - Det sikrer stabilitet og holder dig i balance hele tiden.
- Opbevar og vedligehold værktøjer med omhu.
 - Hold skæreværktøjer skarpe og rene, hvilket

- sikrer, at du arbejder bedre, og at det er så sikkert som muligt.
- Følg instruktionerne til smøring og værktøjsskift.
 - Kontroller elværktøjets forbindelseskabel regelmæssigt, og lad en kvalificeret ekspert reparere eventuelle skader.
 - Kontroller forlængerkablerne regelmæssigt, og udskift dem, hvis de er beskadiget.
 - Hold håndtagene rene, tørre og fri for fedt og olie.
15. Frakobl elværktøjet fra stikkontakten.
 - Både når du ikke bruger elværktøjet, når du udfører vedligeholdelse, og når du skifter dine værktøjer såsom klinger, bor og fræsere.
 16. Efterlad ikke nøglen inde i værktøjet.
 - Sørg for, at nøgler og opsætningsværktøjer er ryddet af vejen, inden du tænder for det
 17. Undgå at tænde for elværktøjet utilsigtet.
 - Kontroller, når du sætter stikket i stikkontakten, at der er slukket for strømmen.
 18. Brug forlængerkablerne, når du er udendørs.
 - Sørg for at bruge det passende forlængerkabel med godkendelsesmærke ved brug af elværktøjet udendørs.

Ekstra sikkerhedsanvisninger

1. Ved brug af savklinger med tænder af hårdt metal (kulstofspids) anbefales det at bruge klinger med en negativ eller lidt positiv skærevinkel. Brug ikke savklinger med dybtskårne tænder. De kan tage fat i beskyttelsesdækslet.
2. Vigtigt: Først monteres alle dele omhyggeligt, inden arbejdet påbegyndes. Følg proceduren som angivet.
3. Hvis du ikke er bekendt med at bruge en sådan maskine, er det bedst at blive informeret først af en fagperson, en instruktør eller en tekniker.
4. Fastklem altid eller tryk emnet fast mod savstyret, inden du udfører forarbejdningen. Brug af alle de mulige fastspændingsopsætninger er bedre end at bruge hænderne.
5. Vigtigt: Hvis du holder emnet i hånden, når forarbejdningen skal udføres, skal du holde en minimumsafstand på 100 mm fra savklingen.
6. Tryk altid emnet mod bænken.
7. Hold savklingen skarp, og kontroller regelmæssigt, om den roterer frit uden unormale vibrationer. Udskift savklingen om nødvendigt.
8. Lad maskinen rotere frit, indtil den når det maksimale antal omdrejninger, inden du starter forarbejdningen.
9. Vedligehold luftindløbene bagpå og i bunden af bordsaven og elmotoren for længere maskinlevetid. Støvophobning skal fjernes.
10. Lås altid de forskellige gradopsætninger, inden du starter forarbejdningen.
11. Køb kun egnede savklinger med et antal omdrejninger på mindst 6000 omdrejninger i minuttet.
12. Brug kun den rette savklinge. For små eller for store savklinger er yderst farlige.
13. Kontroller regelmæssigt savklingen for eventuelle fejl. Udskift savklingen om nødvendigt.
14. Smør den nye savklinge, og rengør flangerne, inden du monterer den nye klinge. Monter så klingen i den rigtige retning, og træk flangerne fast med den centrale bolt.
15. Brug kun originale flanger. Alle andre typer er ikke egnede.
16. Arbejd aldrig uden beskyttelsesdækslet på savklingen.
17. Den bevægelige del af beskyttelsesdækslet skal også forblive monteret.
18. Smør aldrig savklingen, mens den roterer.
19. Hold altid hænderne væk fra savklingsens spor.
20. Tag aldrig emnet op ved at tage fat med hænderne langs med eller bag savklingen.
21. Sørg for, at emnet aldrig berører savklingen, før maskinen er tændt.
22. Forarbejd aldrig metal eller stensorter med denne maskine.
23. Brug hjælpemidler til støtte til lange emner.
24. Brug aldrig maskinen i et farligt miljø, hvor der er brændbare gasser eller væsker til stede.
25. Efterlad aldrig maskinen uden opsyn uden først at frakoble den fra netspændingen.
26. Hvis du hører unormale lyde, skal du prøve at spore dem eller tage maskinen til en anerkendt montør eller reparationsfirma.
27. Hvis en del er gået i stykker eller beskadiget, skal du udskifte den eller reparere den med det samme.
28. Du må aldrig stå i savklingsens spor; du skal stå til venstre eller til højre for savbænken.
29. Dine hænder skal ligeledes placeres ved siden af savklingsens spor.
30. Brug altid skubbepinden i stedet for dine hænder til at skubbe træet gennem saven.

31. Placer altid træet foran savbænken, og skub det derefter længere tilbage.
32. Til gering må kun det justerbare styr bruges, og hegnet skal fjernes.
33. Brug aldrig hegnet som en lineær målestok til afskæring af bjælker.
34. Hvis savklingen er låst: Sluk først maskinen, inden du undersøger fejlen.
35. Undgå, at emner flyver tilbage imod dig ved at tage følgende foranstaltninger:
 - Brug altid skarpe savklinger.
 - *Sav ikke for små emner.*
 - *Frigør aldrig emnet, før det er helt skubbet gennem saven.*
 - *Juster altid styret parallelt med savklingen.*
 - *Fjern aldrig savbeskyttelsen.*
36. Før du fortsætter med at save, skal du sikre dig, at du står fast, og at dine hænder er i den påkrævede position.
37. Brug aldrig fortyndere til at rengøre maskinen. Brug kun en fugtig klud til rengøring.
38. Brug ikke savklinger, som er beskadiget eller har en forkert form.
39. Udskift bordindsatsen, når den er slidt.
40. Brug kun savklinger, der af fabrikanten er specificeret til at være beregnet til arbejde med træ eller lignende materialer i henhold til EN847-1.
41. Vær omhyggelig med, at valget af savklinge afhænger af det materiale, der skal skæres.
42. Tilslut bordrundsavene til en støvsopsamlingsanordning, når du saver.
43. Brug og korriger justering af spaltekniven
44. Brug og korriger justering af den øvre savklingebeskyttelse.
45. Pas på, når du slidser.

Når du skifter savklingen, skal du sørge for, at klingebredden ikke er mindre, og savklingens hovedklinges tykkelse er ikke større end spalteknivens tykkelse.

Brug personlige værnemidler; disse kan omfatte:

- Høreværn for at mindske risikoen for høretab
- Øjenværn
- Åndedrætsværn for at reducere risikoen for skadeligt støv
- Handsker ved håndtering af klinger og råmaterialer (anbefaling: savklinger bæres, når det er praktisk muligt, i en beholder)



Advarsel! Brug ikke HSS-klinger.

- Sæt skubbepinden i holderen, når den ikke er i brug.
- Brug en skubbepind eller en skubbeblok til at styre emnet.



Advarsel! Brug ikke saven til falsning eller rilning.

- Brug kun savklinger, hvis maksimale hastighed er mindst den hastighed, der er angivet på saven og er egnet til det materiale, der skal skæres.
- Under transporten skal savklingens overdel være dækket af beskyttelsen.

Sluk maskinen straks, når du opdager:

- Et defekt netstik eller netledning.
- En defekt kontakt.
- Overophedning af maskinen.
- Røg eller lugt forårsaget af afsvedet isolering.

EI-sikkerhed

Når du bruger el-maskiner, skal du altid overholde de gældende sikkerhedsbestemmelser i dit land for at reducere risikoen for brand, elektrisk stød og personskader. Læs følgende sikkerhedsanvisninger samt de medfølgende sikkerhedsanvisninger.



Kontroller altid, at strømforsyningen stemmer overens med spændingen på ydelsesskiltet.

Udskiftning af kabler eller stik

Smid gamle kabler eller stik ud med det samme, når de er udskiftet med nye. Det er farligt at sætte stikket på et løst kabel i stikkontakten.

Brug af forlængerledninger

- Som forsyning til denne maskine skal der altid anvendes en ubelastet ledning og/eller et forlængerkabel med ledere på mindst 1,5mm² og beskyttet med en 16 A-sikring. Sørg for, at dette forlængerkabel ikke er længere end 20 meter.
- Denne maskine kan skiftes til enkelt fase-netværk (230-240 V / 50 Hz). Hvis du er i tvivl om elektricitetsbestemmelsens jord, skal du først kontakte en elektriker.

2. MASKINOPLYSNINGER

Tilsigtet brug

Dette elværktøj er beregnet som en stationær maskine til fremstilling af lige længder og tværsnit i hårdt og blødt træ fri for fremmedlegemer såsom søm, skruer og mørtel.

Tekniske specifikationer

Model nr.	TSM1036
Spænding	230-240V~
Frekvens	50 Hz
Indgangseffekt	800W
Hastighed uden last	2950/min
Smigvinkel	0° <> +45°
Savklingsmål	Ø200×2,4 ×Ø 16mm
Antal tænder	24T
Maks. højde på emne 90°	43 mm
Maks. højde på emne 45°	27 mm
Spalteknivens tykkelse	2.2 mm
Klinge kroppens tykkelse	1.8 mm
Vægt	13 kg
Lpa (lydtryksniveau)	99.6 +3 dB(A)
Lwa (lydeffektniveau)	112.6 +3 dB(A)
Vibrationsværdi	<2.5 m/s ²

Vibrationsniveau

Det vibrationsniveau, der er anført bag på denne betjeningsvejledning er målt i henhold til den standardiserede test som anført i EN 60745; den kan benyttes til at sammenligne to stykker værktøj og som en foreløbig bedømmelse af udsættelsen for vibrationer, når værktøjet anvendes til de nævnte formål.

- anvendes værktøjet til andre formål eller med andet eller dårligt vedligeholdt tilbehør, kan dette øge udsættelsesniveauet betydeligt.
- de tidsrum, hvor værktøjet er slukket, eller hvor det kører uden reelt at udføre noget arbejde, kan reducere udsættelsesniveauet betydeligt.

Beskyt dig selv imod virkningerne af vibrationer ved at vedligeholde værktøjet og dets tilbehør, ved at holde dine hænder varme og ved at organisere dine arbejdsmønstre.

BESKRIVELSE

Numrene i den nedenstående tekst henviser til illustrationerne på side 2-6.

1. Bordoverflade
2. Klingeværn
3. Skubbepind
4. Savklinge
5. Spaltekniv
6. Bordindsats
7. Parallelføring
8. Forreste knap til vinkeljustering
9. Bageste knap til vinkeljustering
10. Vinkelskala
11. Tænd/sluk-kontakt
12. Knap til parallelstyr
13. Vinkelskalaindikator
14. Geringsstyr
15. Møtrik til savklinge
16. Støvsugeradapter
17. Forsænket skrue
18. L-formet fordybning i spaltekniven
19. Fastgørelsesskrue
20. Monteringshuller
21. Rille i bordoverflade
22. Lineal
23. Udvidelse til geringsstyr
24. Knapper til geringsstyr
25. Støvsugningsåbning
26. Fastspændingsplade til parallelstyr
27. Skive til parallelstyr
28. Knap til geringsvinkel
29. Stor skruenøgle
30. Lille skruenøgle
31. Savklingedæksel
32. Phillips-skrue til savklingedæksel
33. Knap til værn
34. Møtrik til værn
35. Transportbolt til værn
36. Fløj møtrikker

3. MONTERING



Før du udfører arbejde på maskinen, skal du tage netstikket ud af strømforsyningen.

På-/afmontering af savklingeværn

Fig. A, B, C

1. Åbn knappen (33) så langt som muligt, indtil knappen (33) berører møtrikken (34), som vist på figur B. Vigtigt: Juster ikke møtrikken (34).
2. Skub transportbolten (35) så langt som muligt gennem savklingeværnet (2), så den firkantede

profil af transportbolten (35) stikker ud fra savklingeværnet (2).

3. Monter savklingeværnet (2) med transportbolten (35) i den L-formede fordybning (18) af spaltekniven (5): først fremad og derefter ned, som vist på figur C.
4. Skub derefter transportbolten (35) tilbage igen, med den firkantede profil i fordybningen i savklingeværnet (2).
5. Stram knappen (33) så langt som muligt. Vigtigt: det øverste savklingeværn skal kunne bevæge sig frit. Demontering udføres i modsat rækkefølge.

Udskiftning af bordindsatsen

Fig. D



En slidt eller beskadiget bordindsats (6) skal udskiftes med det samme.

I tilfælde af slid eller beskadigelse skal bordindsatsen udskiftes. Ellers er der en forøget risiko for personskade.

1. Fjern savklingeværnet (2) som forklaret i førnævnte afsnit.
2. Løsn den forsænkede skrue (17).
3. Udskift bordindsats (6). Den nye bordindsats monteres i modsat rækkefølge.

Adjusting the Riving knife

Fig. E, F

1. Remove the saw blade guard (2) as explained in aforementioned paragraph.
2. Loosen the screws (19) and remove the riving knife (5). The distance between saw blade (4) and Riving knife (5) should be 3-8 mm, as shown on figure F.
3. Ensure the riving knife is straight and centered behind the saw blade (4).

Justering af spaltekniven

Fig. E, F

1. Fjern savklingeværnet (2) som forklaret i førnævnte afsnit.
2. Løsn skruerne (19) og fjern spaltekniven (5). Afstanden mellem savklingen (4) og spaltekniven (5) bør være 3-8 mm, som vist på figur F.
3. Sørg for, at spaltekniven er lige og centreret bag savklingen (4).

Montering/udskiftning af savklingen

Fig. G, H



Bær beskyttelseshandsker ved montering af savklingen. Fare for personskade, når savklingen berøres.



Brug kun savklinger, der stemmer overens med de karakteristiske data, der er angivet i brugsanvisningerne. Brug kun savklinger, der er markeret med en hastighed lig med eller højere end hastigheden markeret på maskinen.



Brug under ingen omstændigheder slibeskiver som skæreværktøjet.

1. Fjern savklingedækslet (31) ved at løsne Phillips-skruerne (32).
2. Løsn møtrikken ved at fastgøre den store skruenøgle (29) til møtrikken og bruge den lille skruenøgle (30) på motorskaftet for at modvirke den. Vigtigt: drej møtrikken i savklingens rotationsretning.
3. Fjern den ydre flange og fjern savklingen (4).
4. Rengør forsigtigt savklingeflangerne, før den nye savklinge monteres. Udskift og stram den nye savklinge i modsat rækkefølge.



Den pil, der er markeret på savklingen, som angiver omdrejningsretningen, skal pege i samme retning som pilen, der er markeret på maskinen, og savklingens tænder skal pege nedad på savens forside.

- Inden du begynder at arbejde med saven igen, skal beskyttelsesenhedernes funktion kontrolleres.
- Advarsel! Efter hver savklingeudskiftning skal du kontrollere, at savklingeværnet (2) åbner og lukker som påkrævet. Kontrollér derudover, om savklingen (4) kører frit i savklingeværnet (2).
- Advarsel! Efter hver savklingeudskiftning skal du kontrollere, at savklingen (4) kan bevæge sig frit i bordindsatsen (6), når den er i vertikal position, og når den skråner til 45°.

Fastgørelse på en understruktur Fig. A

Monteringshullerne (20) på maskinrammen bruges til at fastgøre enheden på en solid, flad bund såsom på en arbejdsbænk. Der fås matchende monteringsmateriale (skruer osv.) i specialistbutikker.

Støvdugning

Fig. I

Saven er udstyret med et støvdugningssystem.

- Indsæt støvsugeradapteren (16) i støvdugningsåbningen (25).
- Det anbefales kraftigt at bruge et støvdugningssystem, som er velegnet til materialet, hvor det er muligt.
- Kontrollér og rengør regelmæssigt sugekanalerne.

Opbevaring af løse dele

Fig. A, I

Når det ikke er i brug, kan skubbepinden (3), parallelstyret (7) og geringsstyret (14) fastsættes. Skubbepinden (3) kan opbevares i maskinhuset, som vist på figur A. Geringsstyret (14) kan fastgøres til maskinhuset med vingemøtrikken (36), som vist i figur I.

4. DRIFT

Tænd/sluk

Fig. A

- Tryk kontakten i position '1' for at sætte din maskine i drift.
- For at slukke for maskinen skal den samme kontakt trykkes til '0'
- Hold altid netledningen væk fra bevægelige dele.

Parallelstyr

Fig. A, J, K

Ved gennemskæring af trædele skal parallelstyret (7) anvendes.

- Monter parallelstyret (7) på bordoverfladen (1) med fastspændingspladen (26); skiverne (27) og knapperne (12): Uden for bordsaven: sætskrue (12) og skive (27); Inden i bordsaven: fastspændingsplade (26).

Brugertilstande

Det medfølgende parallelstyr (7) har to forskellige højdestyroverflader, en på hver side af styret. Brug siden med den lavere højde til flade arbejdsemner, og den højere stophøjde til høje arbejdsemner.

1. For at ændre stoppets højde skal du åbne knapperne (12) på parallelstyret (7) og fjerne det fra bordet.
2. Drej parallelstyret (7) 180 °, så forenden peger bagud.
3. Stram knapperne (12) igen.

Skærebredde

Parallelstyret (7) kan monteres på begge sider af bordoverfladen (1).

1. Løsn de to knapper (12).
2. Ved hjælp af linealen (22) på bordoverfladen (1) kan parallelstyret (7) justeres til den ønskede størrelse.
3. Stram de to knapper (12) for at fastgøre parallelstyret (7).
4. Ud over skalavisningen skal du måle skærebredden mellem savklingen og parallelstyret. Efter en ny indstilling skal du foretage et testsnit for at kontrollere målene.

Geringsstyr

Fig. L

Ved krydsskæring af trædele skal geringsssaven (14) bruges.

1. Fastgør geringsstyrudvidelsen (23) til geringsstyret (14) med knapperne til geringsstyr (24).
2. Skub geringsstyret (14) ind i bordoverfladens rille (21).
3. Løsn knappen til geringsvinkel (28).
4. Drej geringsstyrudvidelsen (23), indtil pilen peger mod den ønskede vinkel.
5. Stram igen knappen til geringsvinkel (28).
6. Kontrollér afstanden mellem geringsstyrudvidelse (23) og savklinge (4).

Advarsel! Skub ikke geringsstyrudvidelsen (23) for langt mod savklingen. Afstanden mellem geringsstyrudvidelsen (23) og savklingen (4) bør være ca. 2 cm. Løsn om nødvendigt de to knapper til geringsstyr (24) og juster geringsstyrudvidelsen (23). Stram derefter igen knapperne til geringsstyr (24).

Vinkeljustering

Fig. A, I

1. Løs nå både den forreste knap til vinkeljustering (8) og den bageste knap til vinkeljustering (9).
2. Juster savklinge­vinklen ved at skubbe de to knapper (8, 9), indtil indikatoren (13) stemmer overens med den ønskede vinkel på vinkelskalaen (10).
3. Stram både den forreste knap til vinkeljustering (8) og den bageste knap til vinkeljustering (9).

Arbejdsinstruktioner

Der er to typer af savmetoder:

- Savning på langs (fig. K)
Savning af emnet langs trækor­net
- Tværskæring eller afskæring; brug geringsstyret (fig. L)
Afsavning af emnet på tværs



For begge savmetoder skal ét af hegnene anvendes. Derfor må du aldrig save uden hegn!

Vigtigt! Før du begynder at save, skal du først kontrollere følgende:

1. Er savklingen fastspændt?
2. Er alle låsehåndtag fastspændt?
3. Er hegnet parallelt med savklingen?
4. Fungerer beskyttelsesdækslet korrekt?
5. Bærer du sikkerhedsbriller?
6. Støder savklingen ikke imod noget?



Det er absolut nødvendigt at tage disse punkter i betragtning, inden du begynder at arbejde!

Savning på langs

- Fastgør hegnet til den rette måleposition, og fjern afskæringsstyret fra bænke­vognen.
- Tryk træet let mod bænken, og lad det glide imod afskæringshegnet.



Hold mindst 3 cm afstand fra forsiden af savklingen, inden du tænder motoren. Den side af træet, der er imod hegnet, skal være helt lige. Hold dine hænder mindst 10 cm væk fra det savspor, der skal følges.

- Tænd for motoren, og vent indtil savklingen har nået det maksimale antal omdrejninger, inden du begynder at save.
- Mens du trykker træet mod bænken og hegnet, kan du forsigtigt skubbe træet gennem savklingen uden at tvinge det.
- Træk aldrig emnet bagud. Om nødvendigt skal du først slukke for motoren uden at ændre emnets position.

Savning på langs med en (lodret) gering

Denne metode er praktisk talt den samme, bortset fra at savklingen er placeret i den påkrævede vinkel.



Med denne type metode kan hegnet kun være langs den højre side af savklingen.

Savning på langs af smalle emner



Gå ud fra, at denne proces er ekstremt farlig.

Tag alle de nødvendige sikkerhedsforanstaltninger, og skub hele tiden emnet igennem (indtil bag savklingen) ved hjælp af en skubbepind i stedet for hånden.

Savning på tværs

- Fjern hegnet, og anbring det tværgående hegn i den højre vogn.
- Juster savklingens højde (se savning på langs).
- Tryk emnet mod det tværgående hegn, og hold mindst 2,5 cm afstand fra forsiden af savklingen.
- Tænd for motoren, og vent indtil det maksimale antal omdrejninger er nået.
- Tryk emnet mod hegnet og bænken. Skub forsigtigt træet gennem savklingen. Fortsæt indtil bag savklingen. Sluk derefter motoren, og behold denne position, indtil savklingen er stoppet helt, inden du fjerner træet.
- Træk aldrig træet tilbage. Om nødvendigt skal du slukke for motoren og beholde stillingen, indtil savklingen er stoppet helt.

Savning på tværs med en lodret gering

Denne metode er praktisk talt den samme, bortset fra at savklingen er placeret i den påkrævede vinkel.



Du må kun placere det tværgående hegn på højre side af savklingen. Sav aldrig for små stykker træ. Brug aldrig dine hænder til at udføre vanskelige opgaver.

Savning på tværs med en vandret gering

Med denne metode skal det tværgående hegn fastgøres i den påkrævede vinkel. Hold emnet trykket fast mod det tværgående hegn og bænken, inden du begynder at skære af.

GARANTI

Garantibetingelserne er anført på det medfølgende separate garantikort.

Produktet og brugermanualen kan ændres. Specifikationerne kan ændres uden forudgående varsel.

5. SERVICE & VEDLIGEHOLDELSE



Kontroller, at maskinen ikke er tilsluttet, når der udføres vedligeholdelsesarbejde på motoren.

Denne maskine er konstrueret således, at den kan fungere længe med et minimum af vedligeholdelse.

MILJØ

For at forhindre, at maskinen beskadiges under transport leveres den i en solid emballage, der fortrinsvis består af genanvendeligt materiale. De bedes derfor udnytte mulighederne for, at emballagen genbruges.



Defekt og/eller kasseret elektriske eller elektronisk udstyr skal indsamles og afleveres til en genbrugsstation.

Kun for EU-lande

Smid ikke el-værktøjer ud sammen med almindeligt affald. I henhold til de europæiske direktiver 2012/19/EU for elektrisk og elektronisk udstyr og er implementeret i henhold til nationale rettigheder, el-værktøj som ikke længere er anvendelig skal indsamles separat og genbruges på en miljøvenlig måde.

ASZTALI FŰRÉSZ TSM1036

Köszönjük, hogy Ferm terméket választott. Ezzel egy kiváló termék tulajdonosa lett, Európa egyik vezető szállítójától. Minden Ferm által forgalmazott termék a legszigorúbb teljesítményre és biztonságra vonatkozó szabványok szerint készül. Filozófiánk részeként a nyújtott kiváló vevőszolgálatot teljes körű garanciával is kiegészítjük. Reméljük, termékünket hosszú évekig meglelégedéssel fogja használni.

1. BIZTONSÁGI UTASÍTÁSOK FIGYELEM



Olvasa el az összes mellékelt biztonsági figyelmeztetést. A figyelmeztetések és utasítások be nem tartása

áramütéshez, tűz keletkezéséhez vagy akár súlyos személyi sérüléshez vezethet. **Órizza meg a biztonsági figyelmeztetéseket és utasításokat későbbre is.**

A használati útmutatóban és a terméken a következő jelölésekkel találkozhat:



Olvasa el a használati útmutatót.



A használati útmutató utasításainak be nem tartása esetén balesetveszély, életveszély vagy a szerszám károsodásának veszélyét jelöli.



Áramütés veszélyes



Tartsa távol a jelenlevő személyeket



Viseljen porálarcot.



Viseljen szemvédőt és hallásvédőt



Ne tegye kezét a vágási területre, amíg a szerszám működik. A fűrészlap érintése sérüléshez vezethet.



Veszélyes terület! Ne tegye kezét, ujjait vagy karját erre a területre.



I. osztályú gép. Ez a készülék az I. védelmi osztályba tartozik, és földelt hálózati aljzathoz kell csatlakoztatni.



A termék megfelel az európai irányelvek rá vonatkozó biztonsági követelményeinek.



Jegyezze fel a körfűrészlap méreteit. A furatátmérőnek holtjáték nélkül kell illeszkednie a szerszámorsóhoz. Ha szűkítőt kell használni, ügyeljen arra, hogy a szűkítő méretei megfelelőek legyenek az alaplap vastagságához, a fűrészlap furatátmérőjéhez, illetve szerszám tengelyátmérőjéhez is. Amennyiben lehetséges, használja a fűrészlapozhoz mellékelt szűkítőt. A fűrészlap átmérőjének meg kell felelnie a szimbólumon megadott információknak.

SPECIFIKUS BIZTONSÁGI ÚTMUTATÁSOK

FIGYELEM! Az elektromos szerszámok használatakor hogy megvédjék az áramütés, sérülés és tűz ellen, a következő alapvető biztonsági intézkedéseket be kell tartani. Vigyázzon és olvassa el az összes utasítást, mielőtt ezt az elektromos szerszámot használná, tartsa meg a biztonsági fűzetet, és őrizze meg későbbiekben is.

- Mindig tartsa munkahelyét tisztán és rendezve.
 - Egy rendetlen munkahely nem kívánt balesetekhez vezethet.
- Vegye figyelembe a környezeti befolyásokat.
 - Ne tegye ki az elektromos kéziszerszámot az esőbe.
 - Ne használja az elektromos kéziszerszám nedves vagy vizes környezetben.
 - Győződjön meg arról, hogy a munkaterületen elegendő világítás van.
 - Ne használja az elektromos kéziszerszámot ahol fennáll tűz vagy robbanásveszély.
- Hogy megvédje magát az áramütéstől.
 - Ne érjen hozzá földelt részekhez (például

csövek, radiátorok, elektromos tűzhelyek, hűtőszekrények stb).

4. Tartsa másokat távol
 - Tartsa más embereket távol, különösen a gyermekeket, ne hagyja őket, hogy érintsék meg az elektromos kéziszerszámát vagy kábelt, és tartsa a gyerekeket távol a munkaterülettől.
5. Tartsa biztonságban a használaton kívüli elektromos szerszámokat.
 - A nem használt elektromos eszközöket le kell zárni, vagy tárolni egy helyt, amely száraz és a gyermekeknek nem elérhető.
6. Ne terhelje túl a szerszámot.
 - A munka jobb és biztonságosabb a megadott erő-tartományban.
7. Használja a megfelelő elektromos szerszámot.
 - Ne használjon alacsony fogyasztású gépeket a nehéz munkához.
 - Ne használja az elektromos szerszámot nem szánt más célokra. Például nem lehet gallyak vagy egy fadarabot egy Kézi fűrészel vágni.
8. Viseljen megfelelő ruhát.
 - Ne viseljen bő ruhát vagy ékszereket; bekapathatják a mozgó alkatrészek.
 - Ha a szabadban dolgozik, csúszásbiztos lábbeli ajánlott.
 - Ha a haj hosszú, viseljen egy hajhálót.
9. Használjon védőfelszerelést.
 - Viseljen védőszemüveget.
 - Ha végez olyan munkát, amely port hoz létre, használjon légzőmaszkot.
10. Csatlakoztassa a vákuum készüléket.
 - Ha kapcsolat a vákuumhoz és az elkapóhoz rendelkezésre állnak akkor tudja hogy ezek csatlakoztatva és használva vannak.
11. Ne használja fel a kábelt egy olyan célra, amire nem alkalmas.
 - Ne használja a kábelt a csatlakozóhoz hogy húzza ki az aljzatból. Óvja a kábelt a hőtől, olajtól és éles élektől.
12. Biztosítsa az elektromos kéziszerszámot.
 - Használjon fogókat vagy egy satut, hogy tartsa az elektromos kéziszerszámot. Ez biztonságosabb, mint a kezével.
13. Kerülje az abnormális testtartást.
 - Ez biztosítja a stabilitást és egyensúlyban tartja mindenkor.
14. Tartsa fenn igényel az eszközöket.
 - Tartsa a vágószerszámokat élesen és tisztán, ez biztosítja, hogy jobban működjön,

valamint hogy a lehető legbiztonságosabb legyen.

- Kövesse a kenésre és a szerszámcsere utasításokat.
 - Ellenőrizze az elektromos kéziszerszám csatlakozó kábelét rendszeresen és hagyja hogy egy képzett szakember megjavítsa a károkat.
 - Ellenőrizze a a hosszabbítókábeleket rendszeresen és cserélje ki őket, ha azok sérültek.
 - Tartsa a fogantyúkat szárazon, tisztán és zsírintesen és olajmentesen.
15. Húzza ki az elektromos kéziszerszámot a hálózati aljzatból.
 - Amikor nem használja az elektromos szerszámot, ha folytat karbantartást és amikor módosítja a eszközöket, mint a pengét, fúrókat és vágókat.
 16. Ne hagyja a kulcsot a gép belsejébe.
 - Bekapcsolás előtt győződjön meg arról, hogy a kulcsok és beállítási eszközök tiszták.
 17. Kerülje akaratlanul bekapcsolni az elektromos szerszámot.
 - Ellenőrizze, hogy miközben csatlakoztatja a dugót a konnektorba, hogy a készülék ki van kapcsolva.
 18. Használja a hosszabbító kábeleket a szabadteren.
 - Amikor a szerszámot kültéren használja győződjön meg arról, hogy a megfelelő és jóváhagyott jelölt hosszabbító kábel használja.

Kiegészítő biztonsági előírások

1. Amikor kemény (szénhegyű) fémfogakkal ellátott fűrészkorongot használ, ajánlatos a koronggal negatív vagy enyhén pozitív vágási szögben fűrészelni. Mélyen bevágott fogú fűrészkorongot ne használjon. Annak a fogai belekaphatnak a védőburkolatba.
2. Figyelem: A munka megkezdése előtt gondosan szerelje fel a fűrészt minden részét. Végezze el a bemutatott műveletet.
3. Ha nem ismeri a gép használatát, javasoljuk, hogy kérjen tájékoztatást szakembertől, oktatótól vagy technikustól.
4. A művelet megkezdése előtt mindig szorítsa le vagy nyomja a munkadarabot erősen a vezetősínhez. Inkább használjon bármilyen más leszorító szerkezetet, mint a kezét.

5. Fontos: Ha kézzel tartja a munkadarabot, a keze legalább 100 mm távolságra legyen a fűrészkorongtól.
6. Mindig nyomja a munkadarabot a munkaasztalhoz.
7. Tartsa élesen a fűrészkorongot, és rendszeresen ellenőrizze, hogy szabadon, rendellenes vibráció nélkül forog-e. Szükség esetén cserélje ki.
8. Hagyja a korongot szabadon forogni, amíg fel nem veszi a teljes fordulatszámot, és csak azután kezdje a fűrészelést.
9. Tartsa karban a gép hátulján, alján és a villanymotoron elhelyezkedő levegőbemeneti nyílásokat, hogy a gép hosszabb élettartamú legyen. A felgyülemlett fűrészport el kell takarítani.
10. A munka megkezdése előtt mindig reteszelve a beállított vágási szöget.
11. Csak megfelelő, legalább 6 000 percenkénti fordulatszámú fűrészkorongokat vásároljon.
12. Csak a megfelelő fűrészkorongot használja. A túl kis vagy túl nagy fűrészkorong használata rendkívül veszélyes.
13. Vizsgálja át a fűrészkorongot, nincsenek-e rajta hibák. Szükség esetén cserélje ki.
14. Az új fűrészkorongot zsírozza be, és beszerelés előtt kenje meg a karimát. Ezután szerelje be a fűrészkorongot a helyes irányban, majd a karimát húzza meg erősen a középső csavarral.
15. Csak eredeti karimát használjon fel. A többi típus egyike sem megfelelő.
16. Soha ne dolgozzon a géppel, amíg a védőburkolat nincs a helyén.
17. A védőburkolat mozgatható részét is fel kell szerelni.
18. Forgásban lévő fűrészkorongot soha ne zsírozzon.
19. A kezét mindig tartsa távol a fűrészkorong újtjától.
20. Soha ne vegye fel a munkadarabot úgy, hogy a fűrészkorong mentén vagy mögött kézzel megfogja.
21. Ügyeljen arra, hogy a gép bekapcsolása előtt a munkadarab ne érjen a fűrészkoronghoz.
22. Fémét vagy követ soha ne vágjon ezzel a géppel.
23. A hosszú munkadarabokat támasztékokkal támassza alá.
24. Soha ne használja a gépet veszélyes környezetben, ahol gyúlékony gázok vagy folyadékok vannak jelen.
25. A gépet soha ne hagyja felügyelet nélkül, amíg a dugaszát ki nem húzta a konnektorból.
26. Ha rendellenes zajt hall, próbálja kideríteni, honnan ered, vagy pedig juttassa el a gépet egy elismert szerelőhöz vagy javítóműhelybe.
27. Ha a gép valamely alkatrésze törött vagy sérült, azonnal cserélje ki vagy javítsa meg.
28. Soha ne álljon a fűrészkorong útjába, hanem a fűrészasztal bal vagy jobb oldalán helyezkedjen el.
29. Kezét ugyanúgy a fűrészkorong útja mellé tegye.
30. A munkadarabot mindig fa tolórúddal tolja át a fűrészben.
31. A faanyagot mindig a fűrészasztal elejére helyezze, majd tolja tovább hátrafelé.
32. Ferdevágáshoz csak az állítható vezetőelem használható, a vezetősínt le kell szerelni.
33. Soha ne használja a vezetősínt vonalvezetőként gerendák vágásánál.
34. Ha a fűrészkorong beszorult: először kapcsolja ki a gépet, majd csak azután keresse a hibát.
35. A következő intézkedésekkel előzze meg, hogy a munkadarab Ön felé visszarúgjon:
 - *Mindig éles fűrészkorongot használjon.*
 - *Túl apró munkadarabokat ne fűrészeljen.*
 - *Csak akkor engedje el a munkadarabot, amikor már teljes egészében áttolta a fűrészben.*
 - *A vezetőelemet mindig a fűrészkoronggal párhuzamosra állítsa.*
 - *Soha ne vegye le a fűrész védőburkolatát.*
36. Mielőtt folytatná a fűrészelést, bizonyosodjon meg arról, hogy stabilan áll a lábán, és a keze is a megfelelő helyzetben van.
37. A gépet soha ne tisztítsa hígítóval. Csak nedves ronggyal tisztítsa.
38. Sérült vagy deformálódott fűrészkorongot ne használjon.
39. Cserélje ki az elkopott asztalbetétet.
40. Csak akkor használja a gyártó által megadott fűrészlapok, amelyek megfelelnek mikor szánják dolgozik fát vagy hasonló anyagot, EN 847-1.
41. Tartsa szem előtt, hogy a megfelelő korong kiválasztása a fűrészelni kívánt anyagtól függ.
42. A körfűrészeket csatlakoztassa porgyűjtőhöz, amikor munkát végez velük.
43. A hasítókécs használata és helyes beállítása
44. A fűrészkorong felső védőfedelének használata és helyes beállítása.
45. Hasításnál legyen óvatos.

Fűrészártácsa cseréjénél ügyeljen arra, hogy a fűrészártácsa szélessége ne legyen kisebb, és a fűrészártácsa törzslapvastagsága ne legyen nagyobb, mint a hasítókécs vastagsága.

Viseljen személyi védőfelszerelést, amely az alábbiakat tartalmazza:

- Hallásvédőt, hogy csökkentse a halláscsökkenés kockázatát.
- Szemvédőt
- Légzészvédőt, hogy csökkentse az ártalmas por belégzésének kockázatát.
- Védőkesztyűt, a fűrészártácsák és durva felületű anyagok kezelésénél (amikor lehetséges, a fűrészártácsákat dobozba csomagolva ajánlatos szállítani).



Figyelmeztetés! HSS (gyorsacél) fűrészártácsákat ne használjon.

- Amikor nem használja a tolórudat, tegye a tárhelyére.
- A munkadarab irányításához használjon tolórudat vagy tolóblokkot.



Figyelmeztetés! Hornyolásra vagy rovatkolásra ne használja a fűrész.

- Csak olyan fűrészártácsákat használjon, amelyek maximális fordulatszáma legalább akkora, mint a fűrészgépen feltüntetett fordulatszám, és amelyek az adott anyag fűrészelésére alkalmasak.
- Szállítás közben a védőburkolatnak takarnia kell a fűrészártácsa felső részét.

Azonnal kapcsolja ki a szerszámot, ha az alábbiak valamelyikét észleli:

- Hibás a dugasz vagy a tápkábel.
- Hibás a kapcsoló.
- A gép túlmelegszik.
- Füstöt érzékel vagy az égő szigetelés szagát érzi.

Elektromos biztonság

Elektromos gépek használata során mindig tartsa be az országban érvényes munkavédelmi előírásokat, hogy csökkentse a tűz, az elektromos áramütés és a személyes sérülések kockázatait.

Olvassa el a következő biztonsági utasításokat és a géphez tartozó biztonsági utasításokat is.



Mindig ellenőrizze, hogy a hálózat feszültsége megfelel-e a gép adattáblájának.

Kábel vagy dugasz cseréje

Azonnal dobja ki a régi kábeleket és csatlakozókat, miután azokat kicserélte újakra. Lötyögő kábel dugaszát veszélyes a konnektorra dugaszolni.

Hosszabbító használata

- Ehhez a géphez tartozékként mindig használjon terheletlen vezetékét és/vagy hosszabbító kábelt, amelynek keresztmetszete legalább 1,5 mm², és 16 amperes biztosítókkal van védve. A hosszabbító kábel ne legyen 20 méternél hosszabb.
- Ez a gép egyfázisú hálózatra (230-240V/50Hz) kapcsolható. Ha kétségei vannak a hálózat földelésével kapcsolatban, forduljon villanyszerelőhöz.

2. GÉP ISMERTETÉSE

Rendeltetése

Ez az elektromos szerszám helyhez kötött gép, idegen anyagoktól (pl. szögek, csavarok, habarcs) mentes kemény- és puhafa egyenes hosszirányú és keresztirányú vágására készült.

Műszaki adatok

Típuszám.	TSM1036
Feszültség	230-240V~
Frekvencia	50 Hz
Teljesítmény:	800W
Üresjárat fordulat/szám:	2950/min
Ferdevágó szögek	0° <> +45°
Fűrészkorong méretei:	Ø200×2,4 × Ø 16mm
Fogak száma:	24T
Max munkadarab magasság 90°	43 mm
Max munkadarab magasság 45°	27 mm
Vastagsága hasítókécs	2.2 mm
Penge vastagsága	1.8 mm
Súly	13 kg
Lpa (hangnyomásszint)	99.6 +3 dB(A)
Lwa (zajszint)	112.6 +3 dB(A)
Rezgés érték	<2.5 m/s ²

Rezgésszint

Az ezen felhasználói kézikönyv végén megadott rezgés-kibocsátási szint mérése az EN 60745 szabványban meghatározott szabványosított teszttel összhangban történt; ez egy eszköznek egy másik eszközzel történő összehasonlítására, illetve a rezgésnek való kitettség előzetes felmérésére használható fel az eszköznek az említett alkalmazásokra történő felhasználása során.

- az eszköznek eltérő alkalmazásokra, vagy eltérő, illetve rosszul karbantartott tartozékokkal történő felhasználása jelentősen emelheti a kitettség szintjét.
- az idő, amikor az eszköz ki van kapcsolva, vagy amikor ugyan működik, de ténylegesen nem végez munkát, jelentősen csökkentheti a kitettség szintjét.

Az eszköz és tartozékai karbantartásával, kezének melegen tartásával, és munkavégzésének megszervezésével védje meg magát a rezgések hatásaitól.

Leírás

A szövegbeli számok a 2-6 oldal képeire utalnak

1. Asztalfelület
2. Fűrészlap védőburkolat
3. Tolórúd
4. Fűrészlap
5. Hasítókés
6. Asztal betét
7. Párhuzamvezető
8. Elülső szögállító gomb
9. Hátsó szögállító gomb
10. Szög fokbeosztási skála
11. Be- és kikapcsoló
12. Párhuzamvezető gombja
13. Szög fokbeosztási skála mutató
14. Gérvezető
15. Fűrészlap szorítóanya
16. Porszívó adapter
17. Süllyesztett fejú csavar
18. L-alakú mélyedés a hasítókésben
19. Rögzítőcsavar
20. Rögzítőfuratok
21. Horony az asztalfelületben
22. Vonalzó
23. Gérvágó vezető hosszabbító
24. Gérvágó vezető gombjai
25. Porelszívó csatlakozó

26. Párhuzamvezető leszorító lemez
27. Párhuzamvezető alátét
28. Gérvágó szög rögzítógombja
29. Nagy csavarkulcs
30. Kis csavarkulcs
31. Fűrészlap fedőlemez
32. Fűrészlap fedőlemez keresztfejú csavarja
33. Védőburkolat gomb
34. Védőburkolat anya
35. Védőburkolat hordozócsavar
36. Szárnyas anyák

3. ÖSSZESZERELÉS



Mielőtt bármilyen munkát végezne a gépen, húzza ki a hálózati csatlakozódugaszt a konnektorból.

A fűrészlap védőburkolat fel- és leszerelése A, B, C ábra

1. Nyissa fel a gombot (33) amennyire lehet, hogy a gomb (33) hozzáérjen az anyához (34) a B ábrán látható módon. Figyelem: ne állítson az anyán (34).
2. Tolja a hordozócsavart (35) amennyire lehet a fűrészlap védőburkolaton (2) keresztül, hogy a hordozócsavaron (35) található négyzetes profil kiálljon a fűrészlap védőburkolatból (2).
3. Szerelje fel a fűrészlap védőburkolatot (2) a hordozócsavarral (35) a hasítókés (5) L-alakú mélyedésébe (18): először elől, majd lefelé, ahogy a C ábrán látható.
4. Ezután tolja vissza újra a hordozócsavart (35), a négyzetes profittal a fűrészlap védőburkolat (2) mélyedésébe.
5. Amennyire lehet, húzza meg a gombot (33). Figyelem: a felső védőburkolatnak szabadon kell mozognia. A leszerelés fordított sorrendben történik.

Az asztal betét cseréje

D ábra



A kopott vagy sérült asztal betétet (6) azonnal ki kell cserélni.

Kopás vagy sérülés esetén az asztal betétet ki kell cserélni. Ellenkező esetben fokozott balesetveszély áll fenn.

1. Távolítsa el a fűrészlap védőburkolatot (2) a fenti bekezdésben ismertetett módon.
2. Lazítsa meg a süllyesztett fejű csavart (17).
3. Cserélje ki az asztal betétet (6). Az új asztal betét felszerelése fordított sorrendben történik.



A körfűrészlapon látható nyíl a forgásirányt jelzi. A nyílnak a gépen található nyílal megegyező irányba kell mutatnia; a körfűrészlap fogainak lefelé, a fűrészgép homlokzata felé kell mutatnia.

A hasítókécs beállítása

E, F ábra

1. Távolítsa el a fűrészlap védőburkolatot (2) a fenti bekezdésben ismertetett módon.
2. Lazítsa meg a csavarokat (19), és távolítsa el a hasítókécs (5). A fűrészlap (4) és a hasítókécs (5) közötti távolság 3-8 mm legyen, ahogy az F ábrán látható.
3. Győződjön meg róla, hogy a hasítókécs egyenes, és középre van állítva a fűrészlap mögé (4).

A fűrészlap felszerelése / cseréje

G, H ábra



A fűrészlap felszereléséhez viseljen védőkesztyűt. A körfűrészlap megérintése sérülést eredményezhet.



Csak olyan fűrészlapot használjon, amely megfelel a kezelési útmutatóban megadott jellemző adatoknak. Csak olyan fűrészlapot használjon, amelyen a gépen megadott sebességgel azonos vagy annál magasabb fordulatszám van megadva.



Semmilyen körülmények között ne használjon csiszolókorongot vágóeszközként.

1. Vegye le a fűrészlap fedőlemezt (31) a keresztfejű csavar (32) meglazításával.
2. Lazítsa meg a rögzítőanyát a nagy csavarkulcsot (29) téve az anyára és a kis csavarkulcsot (30) a motortengelyre ellentartás végett. Figyelem: az anyát a fűrészlap forgásával azonos irányba kell forgatni.
3. Vegye le a külső karimát, és távolítsa el a fűrészlapot (4).
4. Gondosan tisztítsa meg a fűrészlap karimákat, mielőtt felszereli az új fűrészlapot. Cserélje ki, majd húzza meg az új fűrészlapot a műveleteket fordított sorrendben végezve.

- Mielőtt újra dolgozni kezd a fűrészszel, a védőeszközök megfelelő működését ellenőrizni kell.
- Figyelmeztetés! Minden fűrészlap csere után ellenőrizze, hogy a fűrészlap védőburkolat (2) szabályszerűen nyílik és záródik-e. Emellett ellenőrizze, hogy a fűrészlap (4) akadálytalanul forog-e a fűrészlap védőburkolatban (2).
- Figyelmeztetés! Minden fűrészlap csere után ellenőrizze, hogy a fűrészlap (4) akadálytalanul mozog-e az asztal betétben (6) függőleges helyzetben éppúgy, mint 45°-ban megdőntve.

Rögzítés alsó szerkezetre

A ábra

A gép keretén található rögzítőfuratok (20) arra szolgálnak, hogy a készüléket szilárd lapos alapra, például munkapadra lehessen rögzíteni. A hozzájuk illő szerelőanyagok (csavarok, stb.) szakboltokban kaphatók.

Porelszívás

I ábra

A fűrészgép porelszívó rendszerrel van felszerelve.

- Illessze a porszívó adaptert (16) a porelszívó csatlakozóba (25).
- Határozottan javasoljuk, hogy ahol csak lehetséges alkalmazzon az anyaghoz megfelelő porelszívó rendszert.
- Rendszeresen ellenőrizze és tisztítsa a szívócsatornákat.

A szabadon álló tartozékok tárolása

A, I ábra

Amikor nincsenek használatban, a tolórudat (3) a párhuzamvezetőt (7) és a gérvágó vezetőt (14) fel lehet szerelni a gépre. A tolórud (3) a gépházban tárolható az A ábrán látható módon. A gérvágó vezető (14) felszerelhető a gépházra a pillangó anyával (36) az I ábrán bemutatott módom.

4. MUKÖDÉS

Be. és kikapcsolás

A ábra

- A kapcsolót „1”-es állásba nyomva indítsa be a gépet.
- A kikapcsoláshoz ugyanezt a kapcsolót „0” állásba nyomja.
- A tápkábelt mindig tartsa távol a mozgó alkatrészekről.

Párhuzamvezető

A, J, K ábra

Fa elemek hosszanti vágásához a párhuzamvezetőt (7) kell használni.

- Szerelje fel a párhuzamvezetőt (7) az asztalfelületre (1) a leszorító lemezzel (26); az alátétekkel (27) és a gombokkal (12): Az asztallapon kívüül: beállítócsavar (12) és alátét (27); az asztallapon belül: leszorító lemez (26).

Felhasználói üzemmódok

A mellékelt párhuzamvezetőnek (7) két különböző magassági vezető felülete van, egy-egy a vezető mindkét oldalán. Az alacsonyabb magassági vezetőt használja lapos munkadarabokhoz, a magasabb ütközőt pedig magas munkadarabokhoz.

1. Az ütköző magasságának változtatásához csavarja ki a gombokat (12) a párhuzamvezetőn (7) és vegye le a vezetőt az asztalról.
2. Fordítsa meg a párhuzamvezetőt (7) 180°-kal, hogy az elülső vége nézzen hátrafelé.
3. Húzza meg újra a gombokat (12).

Vágásszélesség

A párhuzamvezető (7) az asztalfelület (1) mindkét oldalára felszerelhető.

1. Lazítsa meg a két gombot (12).
2. Az asztalfelületen (1) található vonalzó (22) segítségével a párhuzamvezető (7) a kívánt méretre állítható be.
3. Húzza meg a két gombot (12) a párhuzamvezető (7) rögzítéséhez.
4. A vonalzó skála kijelzése mellett mérje is meg a vágásszélességet a fűrészlap és a párhuzamvezető között. Új beállítás után mindig végezzen próbavágást a méretek ellenőrzésére.

Gérvágó vezető

L ábra

A fa elemek keresztvágásánál a gérvágó vezetőt (14) kell használni.

1. Rögzítse a gérvágó vezető hosszabbítót (23) a gérvágó vezetőhöz (14) a gérvágó vezető gombjaival (24).
2. Tolja a gérvágó vezetőt (14) az asztalfelület hornyába (21).
3. Lazítsa meg a gérvágó szög rögzítőgombját (28).
4. Forgassa a gérvágó vezető hosszabbítót (23) addig, amíg a nyíl a kívánt szögbe nem mutat.
5. Lazítsa meg újra a gérvágó szög rögzítőgombját (28).
6. Ellenőrizze a távolságot a gérvágó vezető hosszabbítót (23) és a fűrészlap (4) között.

Figyelmeztetés! Ne tolja túl közel a gérvágó vezető hosszabbítót (23) a fűrészlaphoz. A gérvágó vezető hosszabbító (23) és a fűrészlap (4) közötti távolság kb. 2 cm legyen. Ha szükséges, lazítsa meg a gérvágó vezető két gombját (24), és állítsa be a gérvágó vezető hosszabbítót (23). Ezután húzza meg újra a gérvágó vezető gombjait (24).

Szög igazítás

A, I ábra

1. Lazítsa meg mind az elülső szögállító gombot (8), mind pedig a hátsó szögállító gombot (9).
2. Állítsa be a fűrészlap szögét úgy, hogy addig csúsztatja mindkét gombot (8, 9), amíg a mutató (13) eléri a kívánt szögmértéket a szög fokbeosztási skálán (10).
3. Húzza meg mind az elülső szögállító gombot (8), mind pedig a hátsó szögállító gombot (9).

Tudnivalók a munkához

Két fűrészelési mód van:

- Hosszanti fűrészelés (K ábra)
A munkadarab fűrészélése hosszában, szálirányban.
- Keresztvágás a gérvezető használatával (L ábra).
A munkadarab keresztirányú fűrészélése



Mindkét fűrészelési módnál valamelyik vezetőt használni kell. Ezért vezető nélkül soha ne fűrészeljen!

Figyelem! Fűrészelés megkezdése előtt ellenőrizze a következőket:

1. Biztonságosan rögzítve van a fűrészkorong?
2. Minden zárófogantyú rögzítve van?
3. A vezetősín párhuzamos a fűrészkoronggal?
4. Megfelelően működik a védőburkolat?
5. Van a kezelőn védőszemüveg?
6. A fűrészkorong nem súrlódik semmihez?



Ezeket mindenképpen ellenőrizni kell a fűrészelés megkezdése előtt!

Hosszanti fűrészelés

- Rögzítse a vezetősínt a megfelelő helyzetébe, és vegye le az asztal tartóvázáról a keresztvezető elemet.
- Nyomja finoman lefelé a fát az asztal irányában, hogy a vezetősínhez érjen.



Maradjon legalább 3 cm- távolságra a fűrészkorong elejétől, mielőtt bekapcsolja a motort. A fának a vezetősínhez támaszkodó oldala teljesen egyenes legyen. Kezét tartsa a fűrészkorong útjától legalább 10 cm-re.

- Kapcsolja be a motort, várja meg, amíg a fűrészkorong felveszi a teljes fordulatszámot, és csak azután kezdje a fűrészelést.
- A faanyagot az asztalhoz és a vezetősínhez nyomva óvatosan, erőltetés nélkül tolja át a fűrészkorongon.
- Visszafelé soha ne húzza a munkadarabot. Szükség esetén kapcsolja ki a motort a munkadarab helyzetének változtatása nélkül.

Hosszanti fűrészelés (függőleges) szögben

Ez a mód gyakorlatilag ugyanolyan, kivéve, hogy a fűrészkorong el van fordítva a kívánt szögbe.



Ennél a módszernél a vezetősín csak a fűrészkorong jobb oldala mellett lehet.

Keskeny munkadarabok hosszanti fűrészelése



Gondoljon arra, hogy ez a művelet rendkívül veszélyes.

Tegyen meg minden szükséges biztonsági intézkedést, és a munkadarabot folyamatosan tolja át a fűrészkorongon (amíg mögéje nem ér) egy műanyag segédeszközzel, ne a kezével.

Keresztirányú fűrészelés

- Vegye le a vezetősínt, és használja a váz jobb oldalában lévő keresztvezető elemet.
- Állítsa be a fűrészkorong magasságát (lásd a hosszanti fűrészelésnél).
- Nyomja a munkadarabot a keresztvezető elemhez, és tartsa a fűrészkorong elejétől legalább 2,5 cm távolságra.
- Kapcsolja be a motort, és várjon, amíg felveszi a teljes fordulatszámot.
- Nyomja a munkadarabot a vezetőelemhez és az asztalhoz. Óvatosan tolja át a fűrészkorongon. Addig tolja, amíg a fűrészkorong mögé nem kerül. Ezután kapcsolja ki a motort, a munkadarabot a fűrészkorong teljes leállításáig tartsa ebben a helyzetben, és csak azután vegye el.
- Visszafelé soha ne húzza a munkadarabot. Szükség esetén kapcsolja ki a motort, és a fűrészkorong teljes leállításáig tartsa a munkadarabot ebben a helyzetben.

Keresztirányú fűrészelés függőleges szögben

Ez a mód gyakorlatilag ugyanolyan, kivéve, hogy a fűrészkorong a kívánt szögbe el van fordítva.



Csak helyezze a keresztvezető elemet a fűrészkorong jobb oldalára. Túl apró munkadarabokat soha ne fűrészeljen. Nehéz műveleteket soha ne kézzel végezzen.

Keresztirányú fűrészelés vízszintes szögben

Ennél a módszernél a keresztvezető elemet a kívánt szögben rögzíteni kell. Tartsa a munkadarabot erősen a keresztvezető elemhez és az asztalhoz nyomva, mielőtt vágni kezd.

5. GONDOZÁS ÉS KARBANTARTÁS



Győződjön meg arról, hogy a gép le van választva az elektromos hálózatról, ha a motort tartja karban.

A gépet úgy terveztük, hogy minimális karbantartással lehessen hosszabb ideig használni. A folyamatos megfelelő működés előfeltétele a gép megfelelő gondozása és rendszeres takarítása.

KÖRNYEZETVÉDELEM

A szállítás közbeni sérülések megelőzésére az eszköz szilárd csomagolással rendelkezik, amely többségében újrahasznosítható anyagból áll. Ezért azokat szelektálja, és a gyűjtőszigetek segítségével adja le újrahasznosításra, és ne dobja azokat a szemétkébe.



A hibás és/vagy leselejtezett elektromos eszközöket és berendezéseket a helyi szabályoknak megfelelően kialakított szelektív gyűjtőhelyeken adja le.

Csak az Európai Közösség országaiban

Az elektromos eszközöket ne dobja a háztartási hulladékok közé. Az 2012/19/EU Európai Irányelv - Elektromos és elektronikus berendezések hulladékai - és ennek nemzeti szabályozása alapján, azokat az elektromos eszközöket, melyek többé már nem használhatóak, külön kell összegyűjteni, és környezetbarát módon kell megszabadulni tőlük.

GARANCIA

A garancia feltételei megtalálható a csomagban található garanciajegyen.

A termék és a használati útmutató változtatásának jogát fenntartjuk. A műszaki adatok előzetes bejelentés nélkül változhatnak.

STOLNÍ PILA TSM1036

Dekujeme vám za zakoupení tohoto výrobku značky Ferm. Nyní máte k dispozici vynikající výrobek dodávaný jedním z hlavních evropských dodavatelů. Všechny výrobky dodávané společností Ferm jsou vyráběny podle požadavků nejnáročnějších norem týkajících se výkonu a bezpečnosti. Jako součást naší firemní filozofie poskytujeme také vynikající zákaznický servis, který je podporován naší komplexní zárukou. Doufáme, že vám náš výrobek bude rádne sloužit mnoho let.

1. BEZPEČNOSTNÍ POKYNY



Přectete si priložené bezpečnostní výstrahy, dodatečné bezpečnostní výstrahy a bezpečnostní pokyny.

*Nebudete-li dodržovat tyto bezpečnostní výstrahy a pokyny, může dojít k úrazu elektrickým proudem, k vzniku požáru nebo k zpusobení vážného zranění. **Uschovejte tyto bezpečnostní výstrahy a pokyny pro budoucí použití.***

V této uživatelské příručce a na produktu jsou použity následující symboly:



Přectete si uživatelskou příručku.



Upozornuje na riziko zranění osob, ztráty života nebo poškození zařízení, nebudou-li dodržovány pokyny uvedené v tomto návodu.



Nebezpečí úrazu elektrickým proudem.



Udržujte bezpečnou vzdálenost ostatních osob



Nosit respirator



Používejte ochranné brýle a ochranu uší.



Když je zařízení v provozu, nevkládejte ruce do prostoru řezu. Kontakt s pilovým kotoučem může způsobit zranění.



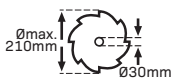
Nebezpečný prostor! Nevkládejte ruce, prsty ani paže do tohoto prostoru.



Stroj třídy I. Toto zařízení je klasifikováno jako třída ochrany I a musí být připojeno k uzemněné síťové zásuvce.



Tento výrobek je vyroben v souladu s platnými bezpečnostními normami, které jsou uvedeny ve směrnicích EU.



Věnujte pozornost rozměrům pilového kotouče. Průměr otvoru na pilovém kotouči musí sedět na vřetenu zařízení bez jakékoliv vůle. Je-li nutné použít redukce, zajistěte, aby rozměry redukce byly vhodné pro tloušťku základního kotouče a průměr otvoru v kotouči, ale také pro průměr vřetena zařízení. Pokud je to možné, použijte redukce dodávané s pilovým kotoučem. Průměr pilového kotouče se musí shodovat s informacemi uvedenými na symbolu.

ZVLÁŠTNÍ BEZPEČNOSTNÍ POKYNY

POZOR! Při používání elektrického nářadí je nutné dodržovat následující opatření na ochranu proti úrazu elektrickým proudem, zranění a požáru. Před použitím tohoto elektrického nářadí si přečtěte celý tento návod, uschovejte bezpečnostní návod a zachovejte jej pro možnost získání dalších informací.

1. Pracoviště udržujte čisté a uklizené.
 - Neuklizené pracoviště může vést k nehodám.
2. Zohleďte vlivy prostředí.
 - Elektrické nářadí nevystavujte dešti.
 - Nepoužívejte elektrické nářadí ve vlhkém a mokřím prostředí.
 - Zajistěte dostatečné osvětlení pracoviště.
 - Nepoužívejte elektrické nářadí v prostorech s nebezpečím požáru nebo výbuchu.
3. Pro vaši ochranu proti úrazu elektrickým proudem.
 - Nedotýkejte se uzemněných předmětů (např. potrubí, radiátory, elektrické sporáky, chladničky atd.).
4. Udržujte ostatní osoby v bezpečné vzdálenosti.
 - Udržujte ostatní osoby, zejména děti, v bezpečné vzdálenosti. Nedovolte jim dotýkat se elektrického nářadí nebo kabelu a udržujte děti mimo pracovní prostor.
5. Nepoužívané elektrické nářadí bezpečně uložte.
 - Nepoužívané elektrické nářadí je nutné zamknout nebo uložit v suchém prostoru mimo dosah dětí.
6. Elektrické nářadí nepřetěžujte.
 - Ve specifikovaném rozmezí výkonu bude vaše práce kvalitnější a bezpečnější.
7. Používejte správné elektrické nářadí.
 - Stroje s nízkým výkonem nepoužívejte pro těžkou práci.
 - Elektrické nářadí nepoužívejte k jiným účelům, než pro které je určeno. Například nemůžete řezat větve stromů nebo kmen pilou ocaskou.
8. Používejte vhodné oblečení.
 - Nenoste volné oblečení nebo šperky, které by mohly být zachyceny pohyblivými díly.
 - Při práci venku je vhodné používat protiskluzovou obuv.
 - Dlouhé vlasy umístěte pod sítku na vlasy.
9. Používejte ochranné vybavení.
 - Používejte ochranné brýle.
 - Při práci vytvářející prach používejte respirátor.
10. Připojte vysavač.
 - Pokud je k dispozici vysavač, potom zajistěte jeho správné připojení a používání.
11. Nepoužívejte kabel k jiným účelům, než pro které je určen.
 - Neodpojujte zástrčku ze zásuvky tažením za kabel. Chraňte kabel před teplem, olejem a ostrými hranami.
12. Zajistěte elektrické nářadí.
 - K upevnění elektrického nářadí použijte svěrky nebo svěrák. Je to bezpečnější, než elektrické nářadí držet rukama.
13. Vyvarujte se abnormálního postoje.
 - Tím se zajistí trvalá stabilita a rovnováha.
14. Provádějte důkladnou údržbu nářadí.
 - Udržujte řezné nástroje ostré a čisté; tím se zajistí kvalitnější práce a nejvyšší možná bezpečnost.
 - Dodržujte pokyny k mazání a výměně nástrojů.

- Pravidelně kontrolujte připojovací kabel elektrického nářadí a jakékoliv poškození nechte opravit kvalifikovaným odborníkem.
 - Pravidelně kontrolujte prodlužovací kabely a v případě poškození je vyměňte.
 - Udržujte rukojeti čisté, suché a bez mazacího tuku a oleje.
15. Odpojte elektrické nářadí od napájecí zásuvky.
 - Když elektrické nářadí nepoužíváte, když provádíte údržbu a když provádíte výměnu nástrojů, jako jsou kotouče, listy, vrtáky a nože.
 16. V nářadí nenechávejte klíč.
 - Před zapnutím nářadí zkontrolujte, zda jsou odstraněny klíče a seřizovací nástroje.
 17. Vyvarujte se neúmyslného zapnutí elektrického nářadí.
 - Při připojování zástrčky do zásuvky zkontrolujte, zda je nářadí vypnuté.
 18. Při práci venku používejte prodlužovací kabely.
 - Při používání elektrického nářadí venku používejte vhodný prodlužovací kabel s příslušným označením.

Doplňkové bezpečnostní pokyny

1. Při používání pilových kotoučů se zuby z tvrdokovu se doporučuje používat listy se záporným nebo velmi malým úhlem řezu. Nepoužívejte žádné pilové kotouče se zuby pro velkou hloubku řezu. U těchto pilových kotoučů může dojít ke kontaktu s ochranným krytem.
2. Pozor: Před zahájením práce nejdříve řádně sestavte všechny díly. Dodržujte postup uvedený v návodu.
3. Nejste-li řádně seznámeni s použitím tohoto stroje, zajistěte si nejdříve zaškolení u profesionála, instruktora nebo technika.
4. Před zahájením řezu obrobek vždy řádně upněte nebo přitiskněte k vodítku pily. Nejlepším řešením je použití upínacích systémů, abyste měli při práci volné ruce.
5. Důležité: Držte-li při prováděném úkonu obrobek rukou, udržte minimální vzdálenost 100 mm od pilového kotouče.
6. Vždy přitlačujte obrobek k pracovnímu stolu pily.
7. Dbajte na to, aby byl pilový kotouč stále ostrý a pravidelně kontrolujte, zda se otáčí volně bez abnormálních vibrací. Je-li to nutné, proveďte výměnu pilového kotouče.
8. Před zahájením procesu řezání nechejte stroj v chodu bez zátěže a počkejte, dokud nedosáhne maximálních otáček.
9. Provádějte čištění otvorů pro přívod vzduchu na zadní a spodní části stolní pily a na elektromotoru, aby byla zaručena delší provozní životnost stroje. Musíte provádět pravidelné odstranění nahromaděných pilin.
10. Před zahájením procesu řezu vždy proveďte zajištění nastaveného úhlu řezu.
11. Nakupujte pouze vhodné pilové kotouče, jejichž počet otáček je minimálně 6 000 ot./min.
12. Používejte pouze správné pilové kotouče. Příliš malé nebo příliš velké pilové kotouče jsou extrémně nebezpečné.
13. Provádějte pravidelnou kontrolu, zda není pilový kotouč jakýmkoli způsobem poškozen. Je-li to nutné, proveďte výměnu pilového kotouče.
14. Před namontováním novy pilový kotouč namažte a očistěte montážní příruby. Potom nasadte nový pilový kotouč tak, aby se otáčil správným směrem a pomocí centrálního šroubu přitáhněte pevně příruby.
15. Používejte pouze originální příruby. Jiné typy přírub nejsou vhodné.
16. Nikdy nepracujte bez ochranného krytu pilového kotouče.
17. Na krytu musí být nasazena také jeho pohyblivá část.
18. Nikdy neprovádějte mazání pilového kotouče, který se otáčí.
19. Vždy udržujte ruce v bezpečné vzdálenosti od rotujících pilových kotoučů.
20. Nikdy neodebírejte obrobek uchopením rukama podél nebo za pilovým kotoučem.
21. Před zapnutím tohoto stroje se vždy ujistěte, zda se obrobek nikdy nedotýká pilového kotouče.
22. Nikdy na tomto stroji neřežte materiály, jako jsou kovy nebo kámen.
23. Při řezání dlouhých obrobků vždy používejte vhodné podpěry.
24. Nikdy nepoužívejte tento stroj v nebezpečném prostředí, kde se vyskytují hořlavé plyny nebo kapaliny.
25. Nikdy nenechávejte tento stroj bez dozoru, aniž byste jej nejdříve odpojili od napájecího napětí.
26. Uslyšíte-li abnormální zvuky, pokuste se zjistit jejich příčinu nebo zajistěte opravu tohoto stroje u kvalifikovaného opraváře nebo v autorizovaném servisu.
27. Dojde-li k rozbití nebo poškození jakékoli části, proveďte ihned její opravu nebo výměnu.

28. Nikdy nestůjte v ose pilového kotouče, ale stůjte vlevo nebo vpravo mimo jeho osu.
29. Vaše ruce se musí také nacházet mimo osu pilového kotouče.
30. Při tlačení obrobku přes pilový kotouč vždy používejte místo rukou vhodnou tlačnou tyč.
31. Vždy umístěte dřevěný obrobek před pilový kotouč a potom jej tlačte dále dozadu.
32. Při provádění pokosových řezů může být používáno pouze nastavitelné vodítko a pravítko musí být sejmuto.
33. Nikdy nepoužívejte pravítko jako lineární měřítko pro řezání nosníků.
34. Dojde-li k zablokování pilového kotouče, před odstraněním závady vždy nejdříve vypněte stroj.
35. Pomocí následujících opatření zabraňte tomu, aby došlo k odmrštění obrobku dozadu, směrem na vás:
- Vždy používejte ostré pilové kotouče.
 - Neřežte příliš malé obrobky.
 - Nikdy neuvolňujte obrobek, dokud nebude zcela protlačen přes pilový kotouč.
 - Vždy natavte vodítko rovnoběžně s pilovým kotoučem.
 - Nikdy nesnímejte ochranné kryty pily.
36. Před zahájením řezání se ujistěte, zda zaujímáte pevný postoj a zda jsou vaše ruce v požadované poloze.
37. Nikdy nepoužívejte při čištění tohoto stroje ředidla. Při čištění používejte pouze navlhčený hadřík.
38. Nikdy nepoužívejte pilové kotouče, které jsou poškozeny nebo deformovány.
39. Opotřebovanou vložku stolu vždy vyměňte.
40. Používejte pouze pilové kotouče předepsané výrobcem, určené pro dřevo nebo podobné materiály, odpovídající EN847-1.
41. Při volbě pilového kotouče berte vždy v úvahu typ materiálu, jaký budete řezat.
42. Při řezání připojte stolní pilu k odsávacímu zařízení.
43. Používejte správné nastavení rozpěrného klínu.
44. Používejte horní kryt pilového kotouče a zajistěte jeho správné nastavení.
45. Při vytváření zářezů buďte velmi opatrní.

Při výměně pilového kotouče dbejte na to, aby tloušťka pilového kotouče nebyla menší, a aby zuby pilového kotouče nebyly širší než tloušťka rozpěrného klínu.

Používejte osobní ochranné pracovní prostředky, které mohou být následující:

- Chrániče sluchu pro ochranu proti ztrátě sluchu
- Ochrana zraku
- Respirátor pro ochranu proti škodlivému prachu
- Rukavice pro manipulaci s pilovými kotouči a drsnými materiály (pilové kotouče se doporučuje pokud možno přenášet ve schránce)



Varování! *Nepoužívejte kotouče HSS.*

- Když se tlačná tyč nepoužívá, zasuňte ji do držáku.
- K vedení obrobku používejte tlačnou tyč nebo tlačný hranol.



Varování! *Tento stroj nepoužívejte k falcování nebo drážkování.*

- Používejte pouze pilové listy, jejichž maximální otáčky mají minimálně takovou hodnotu, která je uvedena na pile, a které jsou vhodné pro řezaný materiál.
- Při přepravě musí být horní část pilového kotouče zakrytá krytem.

Okamžitě vypněte tento stroj, zjistíte-li následující závady:

- Poškozená síťová zásuvka nebo napájecí kabel.
- Poškozený spínač.
- Přehřátí stroje.
- Kouř nebo zápach způsobený spálenou izolací.

Elektrická bezpečnost

Používáte-li elektrická zařízení, vždy dodržujte platné bezpečnostní předpisy, aby bylo omezeno riziko způsobení požáru, úrazu elektrickým proudem nebo zranění osob. Přečtěte si následující bezpečnostní pokyny i přiložené bezpečnostní pokyny.



Vždy zkontrolujte, zda se napájecí napětí sítě shoduje s napájecím napětím na výkonovém štítku.

Výměna kabelů nebo zástrček

Po výměně napájecích kabelů nebo zástrček staré kabely a zástrčky ihned zlikvidujte. Připojení zástrčky poškozeného kabelu k síťové zásuvce je velmi nebezpečné.

Použití prodlužovacích kabelů

- Pro napájení tohoto stroje vždy používejte napájecí kabel nebo prodlužovací kabel s vodiči s průřezem minimálně 1,5 mm², který je chráněn pojistkou 16 A. Ujistěte se, zda není napájecí kabel delší než 20 m.
- Tento stroj může být připojen k jednofázové elektrické síti (230-240 V/50 Hz). Máte-li jakékoli pochybnosti týkající se uzemnění, proveďte nejdříve konzultaci s kvalifikovaným elektrikářem.

2. INFORMACE O NÁRADÍ

Urcené použití

Toto elektrické nářadí je stacionární stroj určený k rovnému podélnému a příčnému řezání tvrdého a měkkého dřeva neobsahujícího cizí tělesa, jako jsou hřebíky, šrouby a malta.

Technické údaje

Císlo modelu	TSM1036
Napětí	230-240V~
Frekvence	50 Hz
Příkon	800W
Otáčky naprázdno	2950/min
Úhly zkosení	0° <> +45°
Rozměry pilového kotouče	Ø200×2,4×Ø 16mm
Počet zubů	24T
Max. výška obrobku 90°	43 mm
Max. výška obrobku 45°	27 mm
Tloušťka rozpěrného klínu	2.2 mm
Tloušťka tělesa listu	1.8 mm
Hmotnost	13 kg
Lpa (akustický tlak)	99.6 +3 dB(A)
Lwa (akustický výkon)	112.6 +3 dB(A)
Hodnota vibrací	<2.5 m/s ²

Úroveň vibrací

Úroveň vibrací uvedená na zadní straně tohoto manuálu s pokyny byla měřena v souladu se standardizovaným testem podle EN 60745; je možné ji použít ke srovnání jednoho přístroje s druhým a jako předběžné posouzení vystavování se vibracím při používání přístroje k uvedeným aplikacím.

- používání přístroje k jiným aplikacím nebo s jiným či špatně udržovaným příslušenstvím může zásadně zvýšit úroveň vystavení se vibracím.
- doba, kdy je přístroj vypnutý nebo kdy běží, ale ve skutečnosti není využíván, může zásadně snížit úroveň vystavení se vibracím.

Chraňte se před následky vibrací tak, že budete dbát na údržbu přístroje a příslušenství, budete si udržovat teplé ruce a uspořádáte si své pracovní postupy.

POPIS

Čísla v následujícím textu odkazují na obrázky na 2-6.

1. Deska stolu
2. Chránič kotouče
3. Vodítko
4. List pily
5. Rozvírácí čepel
6. Vložka stolu
7. Paralelní vodítko
8. Přední knoflík pro nastavení úhlu
9. Zadní knoflík pro nastavení úhlu
10. Úhlová stupnice
11. Spínač
12. Knoflík pro paralelní vodítko
13. Ukazatel na úhlové stupnici
14. Vodítko pokosových řezů
15. Matice pro pilový kotouč
16. Adaptér pro odsávací zařízení
17. Zápustný šroub
18. Nerovnomerný výřez v rozvírácím klínu
19. Upínací šroub
20. Montážní otvory
21. Drážka v povrchu stolu
22. Pravitko
23. Nástavec pro pokosové vodítko
24. Knoflík pro pokosové vodítko
25. Port pro odsávání prachu
26. Upínací deska pro paralelní vodítko
27. Podložka pro paralelní vodítko
28. Knoflík pro pokosový úhel
29. Velký klíč
30. Malý klíč
31. Kryt pilového kotouče
32. Šroub s křížovou hlavou pro kryt pilového kotouče
33. Knoflík pro chránič

34. Matice pro chránič
 35. Vratový šroub pro chránič
 36. Křídlové matice

3. SESTAVENÍ



Před provedením jakýchkoliv prací na tomto stroji odpojte zástrčku napájecího kabelu ze síťové zásuvky.

Montáž/demontáž chrániče pilového kotouče Obr. A, B, C

- Otevřete knoflík (33) co možná nejvíce, až se knoflík (33) dotkne matice (34), jak je znázorněno na obrázku B. Pozor: s maticí (34) nehýbejte.
- Zasuňte vratový šroub (35) do chrániče pilového kotouče (2) tak, aby čtvercový profil vratového šroubu (35) vyčníval z chrániče (2).
- Nasaďte chránič pilového kotouče (2) pomocí vratového šroubu (35) do nerovnoramenného výřezu (18) v rozvíracím klínu (5); nejprve dopředu a potom dolů, jak je znázorněno na obrázku C.
- Potom zatlačte vratový šroub (35) znovu dozadu tak, aby čtvercový profil zapadl do vybrání v chrániči pilového kotouče (2).
- Utáhněte knoflík (33) co nejvíce. Pozor: horní chránič pilového kotouče se musí pohybovat volně. Demontáž probíhá s použitím stejných kroků v opačném pořadí.

Výměna vložky stolu

Obr. D



Opotřebovanou nebo poškozenou vložku stolu (6) musíte okamžitě vyměnit.

V případě opotřebení nebo poškození musí být vložka stolu vyměněna. Jinak existuje zvýšené riziko zranění.

- Demontujte chránič pilového kotouče (2), jak je vysvětleno v předchozím odstavci.
- Povolte zápusťné šrouby (17).
- Demontujte vložku stolu (6). Novou vložku stolu namontujte s použitím stejných kroků v opačném pořadí.

Seřízení rozvíracího klínu

Obr. E, F

- Demontujte chránič pilového kotouče (2), jak je vysvětleno v předchozím odstavci.
- Povolte šrouby (19) a demontujte rozvírací klín (5). Vzdálenost mezi pilovým kotoučem (4) a rozvíracím klínem (5) by měla být 3-8 mm, jak je znázorněno na obrázku F.
- Ujistěte se, že je rozvírací klín rovný a vystředěný za pilovým kotoučem (4).

Nasazení/výměna pilového kotouče

Obr. G, H



Při nasazování pilového kotouče používejte rukavice. Nebezpečí zranění při kontaktu s pilovým kotoučem.



Používejte pouze pilové kotouče, které splňují požadavky technických údajů uvedených v tomto návodu. Používejte pouze takové pilové kotouče, které jsou označeny otáčkami stejnými nebo vyššími, než jsou otáčky uvedené na stroji.



Za žádných okolností nepoužívejte brusné kotouče jako řezný nástroj.

- Demontujte kryt pilového kotouče (31) tak, že povolíte šrouby s křížovou hlavou (32).
- Povolte matici tak, že nasadíte velký klíč (29) na matici a malým klíčem (30) přidržíte hřídel motoru, aby se neprotáčela. Pozor: maticí otáčejte ve směru otáčení pilového kotouče.
- Demontujte vnější přírubu a vyjměte pilový kotouč (4).
- Pečlivě vyčistěte příruby pilového kotouče před instalací nového kotouče. Vyměňte a dotáhněte nový pilový kotouč s použitím stejných kroků v opačném pořadí.



Šipka vyznačená na pilovém kotouči, která označuje směr jeho otáčení, musí ukazovat stejným směrem jako šipka nacházející se na stroji. Zuby pilového kotouče musí směřovat dolů směrem k přední části pily.

- Před opětovným zahájením práce s pilou je třeba zkontrolovat funkčnost ochranných zařízení.
- Varování! Po každé výměně pilového kotouče zkontrolujte, zda se chránič pilového kotouče

(2) podle potřeby otevírá a zavírá. Dále zkontrolujte, zda se pilový kotouč (4) volně otáčí v chrániči pilového kotouče (2).

- Varování! Po každé výměně pilového kotouče zkontrolujte, zda se pilový kotouč (4) může volně pohybovat ve vložce stolu (6), jak ve svislé poloze, tak při naklonění o 45°.

Upevnění na podstavce

Obr. A

Montážní otvory (20) na rámu stroje se používají k upevnění zařízení na pevnou, rovnou základnu, například na pracovní stůl. Odpovídající montážní materiál (šrouby atd.) je k dispozici ve specializovaných prodejnách.

Odsávání prachu

Obr. I

Tato pila je vybavena systémem odsávání prachu.

- Zasuňte adaptér pro odsávací zařízení (16) do portu pro odsávání prachu (25).
- Důrazně doporučujeme používat systém odsávání prachu, který je vhodný pro daný materiál, vždy, když je to možné.
- Pravidelně kontrolujte a čistěte sací kanály.

Skladování volných dílů

Obr. A, I

Pokud nepoužíváte podavač materiálu (3), paralelní vodítko (7) a pokosové vodítko (14), můžete je bezpečně uložit. Podavač materiálu (3) můžete uložit do krytu stroje, jak je znázorněno na obrázku A. Pokosové vodítko (14) může být připevněno ke skříni stroje křídlovou maticí (36), jak je znázorněno na obrázku I.

4. POUŽITÍ

Zapnutí/vypnutí

Obr. A

- Zapněte stroj stisknutím vypínače do polohy „1“.
- Vypněte stroj stisknutím stejného vypínače do polohy „0“.
- Napájecí kabel udržujte mimo pohyblivé díly.

Paralelní vodítko

Obr. A, J, K

Při podélném dělení dřevěných dílů se musí použít paralelní vodítko (7).

- Namontujte paralelní vodítko (7) na plochu stolu (1) pomocí upínací desky (26); podložek

(27) a knoflíků (12): Z vnější strany stolu: stavěcí šroub (12) a podložka (27); z vnitřní strany: upínací deska (26).

Možnosti použití

Dodávané paralelní vodítko (7) má dva vodící povrchy s různou výškou, každý je na jedné straně vodítka. Stranu s nižší výškou používejte pro ploché díly, vyšší výšku dorazu pro vyšší díly.

1. Chcete-li změnit výšku dorazu, otevřete knoflíky (12) na paralelním vodítku (7) a odeberte ho ze stolu.
2. Otočte paralelní vodítko (7) o 180° tak, aby jeho přední strana směřovala dozadu.
3. Utáhněte knoflíky (12) znovu.

Šířka řezu

Paralelní vodítko (7) lze namontovat na obě strany povrchu stolu (1).

1. Povolte dva knoflíky (12).
2. Pomocí pravítka (22) na povrchu stolu (1) lze paralelní vodítko (7) nastavit na požadovanou velikost.
3. Utážením dvou knoflíků (12) upevněte paralelní vodítko (7).
4. Nespoléhejte se jen na údaje na stupnici, změňte také řeznou šířku mezi pilovým kotoučem a paralelním vodítkem. Po novém nastavení proveďte zkušební řez, abyste si rozměry ověřili.

Pokosové vodítko

Obr. L

Pro příčné řezání dřevěných dílů musíte použít pokosové vodítko (14).

1. Upevněte nástavec pokosového vodítka (23) na pokosové vodítko (14) pomocí knoflíků pro pokosové vodítko (24).
2. Zatlačte pokosové vodítko (14) do drážky (21) v povrchu stolu.
3. Povolte knoflík pro pokosový úhel (28).
4. Otáčejte nástavcem pokosového vodítka (23), dokud nebude šipka ukazovat na požadovaný úhel.
5. Znovu utáhněte knoflík pro pokosový úhel (28).
6. Zkontrolujte vzdálenost mezi nástavcem pokosového vodítka (23) a pilovým kotoučem (4).

Varování! Netlačte nástavec pokosového vodítka (23) příliš daleko k pilovému kotouči. Vzdálenost mezi nástavcem pokosového vodítka (23) a

pilovým kotoučem (4) by měla být přibližně 2 cm. Podle potřeby povolte dva knoflíky pro pokosové vodítko (24) a upravte nástavec pokosového vodítka (23). Poté znovu utáhněte knoflíky pro pokosové vodítko (24).

Nastavení úhlu

Obr. A. 1

1. Povolte přední knoflík pro nastavení úhlu (8) i zadní knoflík pro nastavení úhlu (9).
2. Nastavte úhel pilového kotouče tak, že budete posouvat oba knoflíky (8, 9), až ukazatel (13) ukáže na požadovaný úhel na úhlové stupnici (10).
3. Utáhněte přední knoflík pro nastavení úhlu (8) i zadní knoflík pro nastavení úhlu (9).

Pokyny pro obsluhu pily

Existují dva způsoby řezání:

- Podélné řezání (obr. K)
Řezání obrobku ve směru vláken dřeva
- Příčné řezání - používejte vedení pokosových řezů (obr. L)
Řezání obrobku napříč



U obou způsobů řezání musí být použito jedno z vodítek. Proto nikdy neprovádějte řezání bez vodítka!

Pozor! Před zahájením řezání nejdříve zkontrolujte následující:

1. Je pilový kotouč řádně upevněn?
2. Jsou zajištěny všechny upínací rukojeti?
3. Je vodítko rovnoběžně s pilovým kotoučem?
4. Pracuje řádně ochranný kryt?
5. Používáte ochranné brýle?
6. Nedochází k nežádoucímu kontaktu pilového kotouče?



Před zahájením práce je absolutně nezbytné, abyste provedli všechny tyto kontroly!

Řezání v podélném směru

- Upněte vodítko do správné polohy pro měření a sejměte vodítko pro zkracovací řezy z pracovního stolu.
- Přitlačte dřevo mírně k pracovnímu stolu a vedte jej podél vodítka pro zkracovací řezy.



Před zapnutím motoru pily zůstaňte minimálně 3 cm před přední částí pilového kotouče. Část opracovávaného dřeva, která se nachází u vodítka, musí být zcela rovná. Udržujte ruce ve vzdálenosti minimálně 10 cm od předpokládaného směru řezání.

- Zapněte motor a před zahájením řezání počkejte, dokud pilový kotouč nedosáhne maximálních otáček.
- Jakmile přitlačíte dřevo k pracovnímu stolu a k vodítku, můžete opatrně začít protlačovat dřevo přes pilový kotouč, aniž byste používali nadměrnou sílu.
- Nikdy netahejte obrobek směrem dozadu. Je-li to nutné, vypněte nejdříve motor, aniž byste měnili polohu obrobku.

Řezání v podélném směru s pokosem (svislý směr)

Tato metoda je prakticky stejná, s výjimkou toho, že je pilový kotouč nastaven v požadovaném úhlu.



Tato metoda je prakticky stejná, s výjimkou toho, že je pilový kotouč nastaven v požadovaném úhlu.

Podélné řezy úzkých obrobků



Uvědomte si, že je tento způsob řezání extrémně nebezpečný.

Dodržujte všechna nezbytná bezpečnostní opatření a pomocí tlačné tyče, ne rukou, protlačujte bez přerušení obrobek přes pilový kotouč (dokud nebude za pilovým kotoučem).

Řezání v příčném směru

- Sejměte vodítko a na pravé části rámu pily použijte vodítko pro příčné řezy.
- Nastavte výšku pilového kotouče (viz řezání v podélném směru).
- Přitlačte obrobek k vodítku pro příčné řezy a udržujte vzdálenost alespoň 2,5 cm od přední části pilového kotouče.
- Zapněte motor pily a počkejte, dokud pilový kotouč nedosáhne maximálních otáček.
- Přitlačte obrobek k vodítku a k pracovnímu stolu. Opatrně protlačujte obrobek přes pilový kotouč. Pokračujte, dokud se obrobek nebude

nacházet za pilovým kotoučem. Potom vypněte motor pily a před sejmutím obrobku zůstaňte v této poloze, dokud nedojde k úplnému zastavení pilového kotouče.

- Nikdy netahejte obrobek směrem dozadu. Je-li to nutné, vypněte motor a zůstaňte v této poloze, dokud nedojde k úplnému zastavení pilového kotouče.

Řezání v příčném směru s vertikálním pokosem
Tato metoda je prakticky stejná, s výjimkou toho, že je pilový kotouč nastaven v požadovaném úhlu.



Umístěte vodítko pro příčné řezy pouze z pravé strany pilového kotouče. Nikdy neřežte příliš malé kousky dřeva. Nikdy nepoužívejte ruce při provádění náročných řezných operací.

Řezání v příčném směru s horizontálním pokosem

Při této metodě musí být vodítko pro příčné řezy zajištěno v požadovaném úhlu. Před zahájením řezu udržujte obrobek pevně přitlačen k vodítku pro příčné řezy a k pracovnímu stolu.

5. SERVIS A ÚDRŽBA



Ujistěte se, zda při provádění údržby motoru není nářadí připojeno k elektrické síti.

Toto nářadí je vyrobeno tak, aby byl zajištěn jeho dlouhodobý provoz s minimálními nároky na údržbu. Dlouhodobý bezproblémový provoz nářadí závisí na řádné péči o nářadí a na jeho pravidelném čištění.

ŽIVOTNÍ PROSTŘEDÍ

Aby bylo zabráněno poškození během dopravy, je toto zařízení dodáváno v pevném obalu, který se skládá převážně z recyklovatelného materiálu. Proto prosím využijte možnosti recyklace obalových materiálů.



Poškozené a vyřazené elektrické nebo elektronické přístroje musí být likvidovány v příslušných recyklačních stanicích.

Pouze pro krajiny ES

Elektricky napájené zařízení neodhazujte do domovního odpadu. Ve smyslu evropské směrnice 2012/19/EU o elektrickém a elektronickém odpadu a její implementace do národního práva, se musí elektrické nástroje, které se již déle nepoužívají, shromažďovat odděleně a likvidovat pouze způsobem, jenž nepoškozuje životní prostředí.

ZÁRUKA

Záruční podmínky naleznete na přiloženém samostatném záručním listě.

Na tomto výrobku a v tomto návodu mohou být prováděny změny. Technické údaje mohou být změněny bez předchozího upozornění.

STOLOVÁ PÍLA TSM1036

Dakujeme vám, že ste si zakúpili produkt značky Ferm. Získali ste tým špičkový produkt od jedného z popredných európskych dodávateľov. Všetky produkty, ktoré vám boli dodané spoločnosťou Ferm sa vyrábajú podľa najvyšších štandardov výkonu a bezpečnosti. V rámci našej podnikovej filozofie poskytujeme aj špičkové zákaznícke služby v kombinácii s komplexnou zárukou. Dúfame, že náš produkt vám bude dobre slúžiť ešte mnoho rokov.

1. BEZPEČNOSTNÉ POKYNY



Precítajte si priložené bezpečnostné varovania, doplnkové bezpečnostné varovania a pokyny. *Nedodržovanie*

*bezpečnostných varovaní a pokynov môže mať za následok zásah elektrickým prúdom, vznik požiaru a/alebo vážnu ujmu na zdraví. **Všetky bezpečnostné varovania a pokyny si odložte na budúce použitie.***

V používateľskej príručke alebo priamo na produkte nájdete nasledujúce symboly:



Precítajte si používateľskú príručku.



Vypovedá o riziku ujmy na zdraví, usmrtenia a poškodenia náradia v prípade nedodržovania pokynov v tejto príručke.



Riziko zásahu elektrickým prúdom.



Udržiavajte okolostojacich ďalej od zariadenia.



Nasadzte si ochrannú masku proti prachu.



Noste ochranu sluchu a zraku.



Keď je elektrické náradie zapnuté, udržiavajte ruky mimo oblasti rezania. Kontakt s pilovým listom môže viesť k zraneniam.



Nebezpečná oblasť! Udržujte ruky, prsty alebo ramená mimo tejto oblasti.



Stroj triedy I. Toto zariadenie je klasifikované ako trieda ochrany I a musí byť zapojené do uzemnenej elektrickej zásuvky.



Produkt je v súlade s platnými bezpečnostnými štandardmi obsiahnutými v európskych smerniciach.



Zohľadnite rozmery pilového listu. Priemer otvoru musí zodpovedať vretenu náradia bez vôle. Ak je potrebné použiť redukcie, uistite sa, že rozmery redukcie sú vhodné pre hrúbku základného listu a priemer otvoru pilového listu, ako aj pre priemer vretena náradia. Ak je to možné, používajte vždy redukcie dodávané s pilovým listom. Priemer pilového listu sa musí zhodovať s informáciami uvedenými na symbole.

ŠPECIFICKÉ BEZPEČNOSTNÉ POKYNY

UPOZORNENIE! Pri používaní elektrického náradia musíte za účelom ochrany pred úrazom elektrickým prúdom, zranením a požiarom dodržiavať nasledujúce základné bezpečnostné opatrenia. Pred použitím tohto elektrického náradia sa uistite, že ste si prečítali všetky tieto pokyny. Bezpečnostnú brožúru si odložte a uchovajte ju pre neskoršie použitie.

- Vždy udržiavajte svoje pracovisko čisté a upratané.
 - Neupratané pracovisko môže viesť k nežiaducim nehodám.
- Berte do úvahy vplyvy prostredia.
 - Nevystavujte elektrické náradie dažďu.
 - Nepoužívajte elektrické náradie vo vlhkom alebo mokrom prostredí.
 - Uistite sa, že váš pracovný priestor je dostatočne osvetlený.
 - Nepoužívajte elektrické náradie v miestach, kde hrozí nebezpečenstvo požiaru alebo výbuchu.
- Chráňte sa pred úrazom elektrickým prúdom.

- Vyhnite sa kontaktu s uzemnenými časťami (napríklad rúry, radiátory, elektrické sporáky, chladničky atď.).
4. Udržujte iné osoby mimo dosahu
 - Držte ostatných ľudí, zvlášť deti, mimo dosahu a nedovoľte im, aby sa dotýkali vášho elektrického náradia alebo kábla a deti pošlite úplne mimo pracovného priestoru.
 5. Ak sa elektrické náradie nepoužíva, skladujte ho bezpečne.
 - Keď elektrické náradie nepoužívate, by malo byť uzamknuté alebo uložené na mieste, ktoré je suché a mimo dosahu detí.
 6. Nepreťažujte elektrické náradie.
 - V určenom rozsahu výkonu bude pracovať lepšie a bezpečnejšie.
 7. Používajte správne elektrické náradie.
 - Na ťažkú prácu nepoužívajte zariadenia s nízkym výkonom
 - Nepoužívajte elektrické náradie na účely, na ktoré nie sú určené. Napríklad pomocou ručnej píly nemôžete rezať konáre stromov, ani drevené kláty.
 8. Noste vhodný odev.
 - Nenoste voľné oblečenie alebo šperky. Mohli by sa zachytiť do pohyblivých častí.
 - Pri práci vonku sa odporúča obuv, ktorá sa nekľže.
 - Ak máte dlhé vlasy, noste sieťku na vlasy.
 9. Používajte ochranné prostriedky.
 - Noste ochranné okuliare
 - Ak pri práci vzniká prach, použite dýchaciu masku.
 10. Pripojte vysávač
 - Ak je k dispozícii pripojenie k vysávaču a zachytávaču, overte si, že tieto sú pripojené a správne použité.
 11. Nepoužívajte kábel na účely, na ktoré nie je určený.
 - Neodpájajte konektor zo zásuvky tak, že budete ťahať za kábel. Kábel chráňte pred teplom, olejom a ostrými hranami.
 12. Zabezpečte elektrické náradie.
 - Na pridržanie elektrického náradia používajte svorky alebo zverák. Je to bezpečnejšie ako držať ho rukou.
 13. Vyhnite sa abnormálnemu držaniu tela.
 - Zabezpečuje stabilitu a udržiava vás stále v rovnováhe.
 14. Nástroje udržiujte a uchovávajte so starostlivosťou.
 - Udržujte rezné nástroje ostré a čisté, čím zaistíte, že budú pracovať lepšie a čo možno najbezpečnejšie.
 - Dodržujte pokyny na mazanie a výmenu náradia.
 - Pravidelne kontrolujte pripojovací kábel elektrického náradia a akékoľvek poškodenia prenechajte na kvalifikovaného odborníka.
 - Pravidelne kontrolujte predlžovacie káble a vymeňte ich, ak sú poškodené.
 - Rukoväte udržiujte čisté, suché a bez mastnoty a oleja.
 15. Odpojte elektrické náradie od elektrickej zásuvky.
 - Keď elektrické náradie nepoužívate, pri údržbe a výmene nástrojov, ako sú kotúče, vrtáky a frézy.
 16. Nenechávajte kľúč v náradí.
 - Pred zapnutím sa uistite, či ste odstránili kľúče a nastavovacie nástroje
 17. Vyhnite sa mimovoľnému zapnutiu elektrického náradia.
 - Overte si, či je počas pripojenia zástrčky do zásuvky vypnuté napájanie.
 18. Vonku používajte predlžovacie káble.
 - Pri používaní elektrického náradia vonku sa uistite, že používate vhodný a schválený predlžovací kábel.

Ďalšie zásady bezpečnosti

1. Pri použití pílových kotúčov s tvrdými kovovými zubami (S uhlikovou špičkou) odporúčame používať kotúče s negatívnym alebo mierne pozitívnym rezným uhlom. Nepoužívajte žiadne pílové kotúče s hlboko rezanými zubami. Mohli by zachytiť ochranný kryt.
2. Upozornenie: Pred začatím práce najskôr pozorne namontujte všetky časti. Postupujte podľa uvedeného postupu.
3. Ak nie ste oboznámení s používaním takéhoto zariadenia, bolo by lepšie najskôr sa informovať u odborníka, inštruktora alebo technika.
4. Pred spracovaním obrobok pevne uchopte alebo pritlačte do vodiacej lišty píly. Použitie všetkých možných upínacích zostáv je lepšie ako použitie rúk.
5. Dôležité: Ak držíte obrobok pri spracúvaní v rukách, udržiajte minimálnu vzdialenosť 100 mm od pílového kotúča.
6. Obrobok vždy zatlačte oproti lavici.
7. Pílový kotúč udržiujte ostrý a pravidelne

- kontrolujte, či sa otáča voľne a bez abnormálnych vibrácií. V prípade potreby vymeňte pílový kotúč.
8. Pred začatím spracovania nechajte zariadenie voľne sa otáčať, kým nedosiahne maximálny počet otáčok.
 9. Udržujte prívody vzduchu na zadnej a spodnej strane stolovej píly a elektrického motora, aby sa predĺžila životnosť zariadenia. Hromady prachu musíte odstrániť.
 10. Pred začatím spracovania vždy uzamknite rôzne stupne zostáv.
 11. Nakupujte len vhodné pílové kotúče s počtom otáčok najmenej 6 000 otáčok za minútu.
 12. Používajte len správny pílový kotúč. Príliš malé alebo príliš veľké pílové kotúče sú veľmi nebezpečné.
 13. Pravidelne kontrolujte pílový kotúč, či nevykazuje akékoľvek známky porúch. V prípade potreby vymeňte pílový kotúč.
 14. Pred namontovaním nového kotúča namažte nový pílový kotúč a vyčistite príruby. Potom namontujte kotúč v správnom smere a pevne vytiahnite príruby pomocou stredovej skrutky.
 15. Používajte iba originálne príruby. Všetky ostatné typy nie sú vhodné.
 16. Nikdy nepracujte bez ochranného krytu pílového kotúča.
 17. Pohyblivá časť ochranného krytu musí tiež zostať zmontovaná.
 18. Pílový kotúč nikdy nesmie mazať počas otáčania.
 19. Ruky vždy držte mimo dráhy pílových kotúčov.
 20. Nikdy nezakladajte obrobok tak, že ho uchopíte rukou pozdĺžne alebo za pílovým kotúčom.
 21. Pred zapnutím zariadenia skontrolujte, že sa obrobok nedotýka pílového kotúča.
 22. Na tomto zariadení nikdy nespracúvajte kovové alebo kamenné materiály.
 23. Na podopretie dlhých obrobkov použite podporné pomôcky.
 24. Zariadenie nikdy nepoužívajte v nebezpečnom prostredí, kde sú prítomné horľavé plyny alebo kvapaliny.
 25. Zariadenie nikdy nenechávajte bez dozoru bez toho, aby ste ho najskôr odpojili od elektrickej siete.
 26. Ak počujete nezvyčajné zvuky, pokúste sa ich vystopovať alebo vezmite zariadenie do autorizovanej opravovne alebo servisu.
 27. Ak je niektorá časť zlomená alebo poškodená, ihneď ju vymeňte alebo opravte.
 28. Nikdy nestojte v dráhe pílového kotúča, ale stojte naľavo alebo napravo od stolovej píly.
 29. Ruky musíte mať tiež umiestnené vedľa dráhy pílového kotúča.
 30. Na tlačenie dreva cez pílu vždy používajte prítlačnú tyčku namiesto rúk.
 31. Drevo vždy položte na prednú stranu lavice píly a potom ho tlačte smerom dozadu.
 32. Pri pokosovaní musíte používať iba nastaviteľný vodiacu lištu a musíte odstrániť bariéru.
 33. Nikdy nepoužívajte bariéru ako mierku roviny pri rezaní nosníkov.
 34. Ak je pílový kotúč zablokovaný: skôr, ako sa budete venovať poruche, najprv zariadenie vypnite.
 35. Spätnému rázu obrobku vašim smerom sa vyhnute tak, že vykonáte nasledujúce opatrenia:
 - *Vždy používajte ostré pílové kotúče.*
 - *Nepíľte príliš malé obrobky.*
 - *Nikdy neuvoľnite obrobok skôr, ako sa úplne pretlačí cez pílu.*
 - *Vodiacu lištu vždy nastavte rovnobežne s pílovým kotúčom.*
 - *Nikdy neodstraňujte ochranné prvky píly.*
 36. Než budete pokračovať v pílení, uistite sa, že stojíte pevne a že máte ruky v požadovanej polohe.
 37. Na čistenie zariadenia nikdy nepoužívajte riedidlá. Na čistenie používajte iba vlhkú tkaninu.
 38. Nepoužívajte pílové kotúče, ktoré sú poškodené alebo deformované.
 39. Vymeňte vložku stola, ak je opotrebovaná.
 40. Používajte iba pílové kotúče špecifikované výrobcom, ktoré sú určené na prácu s drevom alebo podobnými materiálmi podľa normy EN847-1.
 41. Venujte pozornosť tomu, aby ste vybrali pílový kotúč podľa materiálu, ktorý sa má píliť.
 42. Pri pílení pripojte stolovú pílu k zariadeniu na zachytávanie prachu.
 43. Používajte a správne nastavte rozperný nôž
 44. Použite a správne nastavte horný ochranný prvok pílového kotúča.
 45. Pri drážkovaní dávajte pozor.
- Pri výmene pílového kotúča sa uistite, že šírka čepele nie je menšia a že hrúbka hlavného kotúča pílového kotúča nie je väčšia, ako hrúbka rozperného noža.

Používajte osobné ochranné pomôcky, medzi ktoré môže patriť:

- Ochrana sluchu na zníženie rizika straty sluchu
- Ochrana zraku
- Ochrana dýchacích ciest na zníženie rizika, ktoré predstavuje škodlivý prach
- Rukavice pri manipulácii s kotúčmi a drsnými materiálmi (odporúčanie: pilové kotúče prepravujte vždy, keď je to možné v nádobe)



Varovanie! *Nepoužívajte kotúče HSS.*

- Ak prítlačnú tyčku nepoužívate, vložte ju do držiaka.
- Na vedenie obrobku používajte prítlačnú tyčku alebo tlačný blok.



Varovanie! *Nepoužívajte pílu na pokosenie alebo drážkovanie.*

- Používajte iba pilové kotúče, ktoré majú maximálne otáčky minimálne v takej hodnote, aká je uvedená na píle, a ktoré sú vhodné pre pilený materiál.
- Počas prepravy musí byť horná časť pilového kotúča zakrytá chráničom.

Zariadenie okamžite vypnite, keď zistíte:

- Vadná sieťová zástrčka alebo sieťový kábel.
- Vadný spínač.
- Prehriatie zariadenia.
- Dym alebo zápach spôsobený spálenou izoláciou.

Elektrická bezpečnosť

Pri používaní elektrických zariadení vždy dodržiavajte bezpečnostné nariadenia platné vo vašej krajine, aby sa minimalizovalo riziko požiaru, zásahu elektrickým prúdom a ujmy na zdraví.

Prečítajte si nasledujúce bezpečnostné pokyny a tiež priložené bezpečnostné pokyny.



Vždy skontrolujte, či napájacie napätie zodpovedá napätiu na výkonovom štítku.

Výmena káblov alebo konektorov

Staré káble alebo zástrčky ihneď vyhoďte, keď ich nahradíte novými. Zasunutie zástrčky s voľným káblom do sieťovej zásuvky je nebezpečné.

Používanie predlžovacích káblov

- Ako napájanie tohto zariadenia vždy používajte nezaťažujúcu linku a/alebo predlžovací kábel, ktorý má vodiče s hrúbkou aspoň 1,5 mm² a je chránený 16 A poistkou. Uistite sa, že tento predlžovací kábel nie je dlhší ako 20 metrov.
- Toto zariadenie je možné prepnúť na jednofázovú sieť (230 - 240 V/50 Hz). Ak máte pochybnosti o uzemnení elektrických zariadení, najskôr sa obráťte na elektrikára.

2. INFORMÁCIE O ZARIADENÍ

Cielové použitie

Tento nástroj je určený ako stacionárne zariadenie na vytváranie rovných a priečných rezov do tvrdého a mäkkého dreva bez cudzích telies, ako sú klince, skrutky a maľa.

Technické špecifikácie

Modelové c.	TSM1036
Napätie	230-240V~
Frekvencia	50 Hz
Príkon	800W
Voľnobežné otáčky	2950/min
Skosené uhly	0° <> +45°
Rozmery pilového kotúča	Ø200×2,4 ×Ø 16mm
Počet zubov	24T
Max. výška obrobok 90°	43 mm
Max. výška obrobok 45°	27 mm
Hrúbka rozperného noža	2.2 mm
Hrúbka tela čepele	1.8 mm
Hmotnosť	13 kg
Lpa (hladina akustického tlaku)	99.6 +3 dB(A)
Lwa (hladina akustického výkonu)	112.6 +3 dB(A)
Hodnota vibrácií	<2.5 m/s ²

Raven vibrácií

Raven oddanjanja vibracij, navedena na zadnji strani teh navodil za uporabo je bila izmerjena v skladu s standardiziranimi testi, navedenimi v EN 60745; uporabiti jo je mogoče za primerjavo različnih orodij med seboj in za predhodno primerjavo izpostavljenosti vibracijam pri uporabi orodja za namene, ki so omenjeni

- uporaba orodja za drugačne namene ali uporaba skupaj z drugimi, slabo vzdrževanimi nastavki lahko znatno poveča raven izpostavljenosti
- čas, ko je orodje izklopljeno ali ko teče, vendar z njim ne delamo, lahko znatno zmanjša raven izpostavljenosti

Pred posledicami vibracij se zaščitite z vzdrževanjem orodja in pripadajočih nastavkov, ter tako, da so vaše roke tople, vaši delovni vzorci pa organizirani

POPIS

Čísła uvedené v texte sa odvolávajú na diagramy na stranách 2-6.

1. Povrch stola
2. Chránič listu
3. Prítlačná tyčka
4. Pílový list
5. Rozperný nôž
6. Vložka stola
7. Paralelný vodiaci prvok
8. Predný gombík na nastavenie uhla
9. Zadný gombík na nastavenie uhla
10. Uhlová stupnica
11. Spínač Zap./Vyp.
12. Gombík pre paralelnú vodiacu lištu
13. Indikátor uhlovej stupnice
14. Pokosová lišta
15. Matica pre pílový list
16. Adaptér vysávača
17. Skrutka so zápusťou hlavou
18. Zapustenie rozperného noža v tvare písmena L
19. Upevňovacia skrutka
20. Montážne otvory
21. Drážka v povrchu stola
22. Pravitko
23. Rozšírenie pre pokosovú vodiacu lištu
24. Gombíky pre pokosovú vodiacu lištu
25. Otvor na odsávanie prachu
26. Upínacia doska pre paralelnú vodiacu lištu
27. Podložka pre paralelnú vodiacu lištu
28. Gombík pre uhol pokosu
29. Veľký kľúč
30. Malý kľúč
31. Kryt pílového listu
32. Skrutka s krížovou hlavou pre kryt pílového listu
33. Gombík pre chránič
34. Matica pre chránič
35. Vratová skrutka pre chránič
36. Krídlové matice

3. MONTÁŽ



Pred vykonaním akýchkoľvek prác na stroji odpojte sieťovú zástrčku od zdroja napájania.

Montáž/demontáž chrániča pílového listu

Obr. A, B, C

1. Otáčajte gombík (33) čo najviac, až kým sa gombík (33) nedotkne matice (34), ako je to znázornené na obrázku B. Pozor: maticu (34) nenastavujte.
2. Vratovú skrutku (35) zatlačte čo najviac cez chránič pílového listu (2) tak, aby štvorcový profil vratovej skrutky (35) vyčnieval z chrániča pílového listu (2).
3. Chránič pílového listu (2) namontujte s vratovou skrutkou (35) do zapustenia v tvare písmena L (18) rozperného noža (5): najskôr dopredu a potom dolu, ako je to znázornené na obrázku C.
4. Potom znova zatlačte vratovú skrutku (35) dozadu, so štvorcovým profilom do zapustenia v chrániči pílového listu (2).
5. Dotiahnite gombík (33) čo najviac. Pozor: horný chránič pílového listu sa musí dať voľne pohybovať. Demontáž sa vykonáva v opačnom poradí.

Výmena vložky stola

Obr. D



Opotrebovanú alebo poškodenú vložku stola (6) je potrebné okamžite vymeniť.

V prípade opotrebenia alebo poškodenia sa musí vložka stola vymeniť. Inak hrozí zvýšené riziko zranenia.

1. Odstráňte chránič pílového listu (2), ako je to vysvetlené v predchádzajúcom odseku.
2. Povoľte skrutky so zápusťou hlavou (17).
3. Vymeňte vložku stola (6). Nová vložka stola sa inštaluje v opačnom poradí.

Nastavenie rozperného noža

Obr. E, F

1. Odstráňte chránič pílového listu (2), ako je to vysvetlené v predchádzajúcom odseku.
2. Povoľte skrutky (19) a odstráňte rozperný nôž (5). Vzdialenosť medzi pílovým listom (4) a rozperným nožom (5) by mala byť 3 - 8 mm, ako je to znázornené na obrázku F.

3. Zaisťte, aby bol rozperný nôž rovný a vycentrovaný za pílovým listom (4).

Montáž/výmena pílového listu

Obr. G, H



Pri montáži pílového listu používajte ochranné rukavice. Pri dotknutí sa pílového listu hrozí nebezpečenstvo poranenia.



Používajte iba pílové listy, ktoré zodpovedajú charakteristickým údajom uvedeným v návode na obsluhu. Používajte iba pílové listy, ktoré sú označené rýchlosťou rovnakou alebo vyššou, ako je rýchlosť vyznačená na stroji.



Ako rezné náradie za žiadnych okolností nepoužívajte brúsne kotúče.

1. Odmontujte kryt pílového listu (31) povolením skrutiek s krížovou hlavou (32).
2. Povoľte maticu pripojením veľkého kľúča (29) k matici a pomocou malého kľúča (30) na hriadeľ motora, aby pôsobil proti nemu. Pozor: maticu otáčajte v smere otáčania pílového listu.
3. Odstráňte vonkajšiu prírubu a vyberte pílový list (4).
4. Pred montážou nového pílového listu starostlivo vyčistite príruby pílového listu. Vymeňte a dotiahnite nový pílový list v opačnom poradí.



Šípka na pílovom kotúči, ktorá označuje smer otáčania, musí smerovať rovnakým smerom ako šípka na zariadení, ozubenie pílového kotúča musí smerovať nadol, na prednú časť píly.

- Predtým, ako začnete znova pracovať s pílou, musíte skontrolovať funkčnosť ochranných zariadení.
- Varovanie! Po každej výmene pílového listu skontrolujte, či sa chránič pílového listu (2) otvára a zatvára podľa potreby. Ďalej skontrolujte, či sa pílový list (4) voľne pohybuje v chrániči pílového listu (2).
- Varovanie! Po každej výmene pílového listu skontrolujte, či sa pílový list (4) môže voľne pohybovať vo vložke stola (6), keď je vo zvislej polohe a keď je naklonený o 45°.

Upevnenie na spodnú konštrukciu

Obr. A

Montážne otvory (20) na ráme stroja sa používajú na pripevnenie zariadenia na pevnú, rovnú základňu, napríklad na pracovný stôl. Zodpovedajúci upevňovací materiál (skrutky atď.) je k dispozícii v špecializovaných predajniach.

Odsávanie prachu

Obr. I

Píla je vybavená systémom na odsávanie prachu.

- Vložte adaptér vysávača (16) do otvoru na odsávanie prachu (25).
- Dôrazne odporúčame používať systém na odsávanie prachu, ktorý je vhodný pre materiál, a to vždy, keď je to možné.
- Pravidelne kontrolujte a čistite sacie kanály.

Skladovanie voľných častí

Obr. A, I

Ak sa nepoužíva, môžete pripevniť prítlačnú tyčku (3), paralelnú vodiacu lištu (7) a pokosovú vodiacu lištu (14). Prítlačná tyčka (3) môže byť uložená v kryte stroja, ako je to znázornené na obrázku A. Pokosová vodiaca lišta (14) môže byť pripevnená ku krytu stroja krídlovou maticou (36), ako je to znázornené na obrázku I.

4. PREVÁDZKA

Zapnutie/vypnutie

Obr. A

- Stlačte spínač do polohy „1“, aby sa zariadenie uviedlo do prevádzky.
- Ak chcete zariadenie vypnúť, musíte ten istý spínač zatlačiť do polohy „0“
- Sieťový kábel udrzte vždy mimo dosahu pohybujúcich sa častí.

Paralelná vodiaca lišta

Obr. A, J, K

Pri rezaní drevených častí sa musí použiť paralelná vodiaca lišta (7).

- Namontujte paralelnú vodiacu lištu (7) na povrch stola (1) pomocou upínacej dosky (26); podložiek (27) a gombíkov (12): Vonkajšia strana pílového stola: nastavovacia skrutka (12) a podložka (27). Vnútorňá strana pílového stola: upínacia doska (26).

Používateľské režimy

Dodávaná paralelná vodiaca lišta (7) má dva vodiace povrchy s rôznou výškou, jeden na každej strane vodiacej lišty. Pri plochých obrobkoch používajte stranu s nižšou výškou. Pri vysokých obrobkoch používajte stranu s vyššou výškou zarážky.

1. Ak chcete zmeniť výšku zarážky, otvorte gombíky (12) na paralelnej vodiacej lište (7) a vyberte ju zo stola.
2. Otočte paralelnú vodiacu lištu (7) o 180° tak, aby predný koniec smeroval k zadnému.
3. Gombíky (12) znovu dotiahnite.

Šírka rezania

Paralelná vodiaca lišta (7) môže byť namontovaná na oboch stranách povrchu stola (1).

1. Povoľte dva gombíky (12).
2. Pomocou pravítka (22) na povrchu stola (1) sa dá paralelná vodiaca lišta (7) nastaviť na požadovanú veľkosť.
3. Dotiahnite dva gombíky (12) a pripevnite paralelnú vodiacu lištu (7).
4. Okrem zobrazenia mierky odmerajte šírku rezu medzi pilovým listom a paralelnou vodiacou lištou. Po novom nastavení urobte skúšobné rezy, aby ste skontrolovali rozmery.

Pokosová vodiaca lišta

Obr. L

Na priečne rezanie drevených častí sa musí použiť pokosová vodiaca lišta (14).

1. Upevnite nástavec pokosovej vodiacej lišty (23) na pokosovú vodiacu lištu (14) pomocou gombíkov pre pokosovú vodiacu lištu (24).
2. Pokosovú vodiacu lištu (14) zatlačte do drážky (21) povrchu stola.
3. Povoľte gombík pre pokosový uhol (28).
4. Otáčajte nástavec pokosovej vodiacej lišty (23), až kým šípka nebude ukazovať na požadovaný uhol.
5. Dotiahnite znovu gombík pre pokosový uhol (28).
6. Skontrolujte vzdialenosť medzi nástavcom pokosovej vodiacej lišty (23) a pilovým listom (4).

Varovanie! Netlačte nástavec pokosovej vodiacej lišty (23) príliš ďaleko smerom k pilovému listu. Vzdialenosť medzi nástavcom pokosovej vodiacej lišty (23) a pilovým listom (4) by mala byť približne 2 cm. Ak je to potrebné, uvoľnite dva gombíky pokosovej vodiacej lišty (24) a nastavte nástavec

pokosovej vodiacej lišty (23). Potom znova dotiahnite gombíky pre pokosovú vodiacu lištu (24).

Nastavenie uhla

Obr. A, I

1. Povoľte predný gombík na nastavenie uhla (8) a zadný gombík na nastavenie uhla (9).
2. Nastavte uhol pilového listu posúvaním dvoch gombíkov (8, 9), až kým sa indikátor (13) nezhoduje s požadovaným uhlom na uhlovej stupnici (10).
3. Dotiahnite predný gombík na nastavenie uhla (8) a zadný gombík na nastavenie uhla (9).

Pracovné pokyny

Existujú dva druhy spôsobov pílenia:

- Pozdĺžne pílenie (Obr. K)
Pílenie obrobku po dĺžke, podľa vlákien dreva
- Priečne pílenie alebo odpílenie, použite pokosovú lištu (Obr. L)
Priečne rozpílenie obrobku



Pri oboch spôsoboch pílenia musíte použiť jednu z bariér. Preto nikdy nepíľte bez ochrannej bariéry!

Upozornenie! Než začnete píliť, najskôr skontrolujte:

1. Je pilový kotúč zaistený?
2. Sú uzamykacie rukoväte zaistené?
3. Je bariéra nastavená rovnobežne s pilovým kotúčom?
4. Funguje ochranný kryt správne?
5. Máte nasadené ochranné okuliare?
6. Nezasadí pilový kotúč o niečo?



Je absolútne nevyhnutné vziať tieto body do úvahy skôr, než začnete pracovať!

Pozdĺžne pílenie

- Zaistíte bariéru do správnej polohy merania a odstránite píliacu lištu od vozíka lavice.
- Drevo mierne zatlačte oproti lavici a nechajte ho klzať proti píliacej bariére.



Pred zapnutím motora zastaňte aspoň 3 cm od prednej časti pilového kotúča. Bočná strana dreva, ktorá je oproti bariére, musí byť úplne rovná. Ruky držte aspoň 10 cm od dráhy pílenia.

- Pred začatím pílenia zapnite motor a počkajte, až pilový kotúč dosiahne maximálny počet otáčok.
- Keď zatlačíte drevo oproti lavici a bariére, môžete opatrne tlačiť drevo cez pilový kotúč bez toho, aby ste naň príliš tlačili.
- Obrobok nikdy neťahajte smerom dozadu. Ak je to nutné, najskôr vypnite motor bez toho, aby ste menili polohu obrobku.

Pozdĺžne pílenie s (vertikálnym) pokosom

Táto metóda je prakticky rovnaká, s výnimkou toho, že pilový kotúč je umiestnený pod požadovaným uhlom.



Pri tejto metóde môže byť bariéra len pozdĺžne, po pravej strane pilového kotúča.

Pozdĺžne pílenie úzkych obrobkov



Predpokladajte, že tento proces je mimoriadne nebezpečný.

Vykonajte všetky potrebné bezpečnostné opatrenia a neustále tlačte obrobok cez (až za pilový kotúč) pomocou pritlačnej tyčky namiesto ruky.

Priečne pílenie

- Odstráňte bariéru a na pravú stranu podvozku nasadte bariéru na priečne pílenie.
- Nastavte výšku pilového kotúča (pozrite si pozdĺžne pílenie).
- Tlačte obrobok proti bariére na priečne rezanie a držte ho vo vzdialenosti minimálne 2,5 cm od prednej časti pilového kotúča.
- Zapnite motor a počkajte, kým nedosiahne maximálny počet otáčok.
- Obrobok tlačte oproti bariére a lavici. Opatrne pretlačte drevo cez pilový kotúč. Pokračujte až za koniec pilového kotúča. Potom vypnite motor a udržujte túto polohu, až kým sa pilový kotúč úplne nezastaví a až potom vyberte drevo.
- Drevo nikdy neťahajte späť. Ak je to potrebné, vypnite motor a držte polohu, kým sa pilový kotúč úplne nezastaví.

Priečne pílenie s vertikálnym pokosom

Táto metóda je prakticky rovnaká, s výnimkou toho, že pilový kotúč je umiestnený pod požadovaným uhlom.



Bariéru na priečne pílenie dajte len na pravú stranu pilového kotúča. Nikdy nepilte príliš malé kúsky dreva. Na vykonanie náročných činností nikdy nepoužívajte ruky.

Priečne pílenie s horizontálnym pokosom

Pri tejto metóde sa vyžaduje zaistenie bariéry na priečne pílenie pod uhlom. Než začnete píliť, obrobok držte pevne zatlačený oproti bariére na priečne pílenie a lavici.

5. SERVIS A ÚDRŽBA



Uistite sa, že zariadenie nie je pod prúdom, keď sa vykonáva údržba motora.

Toto zariadenie sa navrhlo tak, aby sa dlhodobo používalo pri minimálnej údržbe. Nepretržitá uspokojivá prevádzka závisí od správnej starostlivosti o zariadenie a od pravidelného čistenia.

ŽIVOTNÉ PROSTREDIE

Aby sa predišlo poškodeniu počas prepravy, zariadenie sa dodáva v pevnom balení, ktoré sa zväčšiny skladá s opätovne využitého materiálu. Preto, prosím, využívajte možnosti recyklácie balenia.



Chybné elektrické alebo elektronické zariadenia a/alebo vyradené zariadenia sa musia odovzdať na príslušných recyklačných miestach.

Len pre štáty ES

Elektricky napájané zariadenia neodhadzujte do domového odpadu. Podľa európskej smernice 2012/19/EU o elektrickom a elektronickom odpade a jej implementácie do národného práva, elektrické nástroje, ktoré sa už ďalej nepoužívajú, sa musí zhrádzať samostatne a likvidovať iba ekologicky prijateľným spôsobom.

ZÁRUKA

Záručné podmienky môžete nájsť v samostatne priloženom záručnom liste.

Výrobok a návod na obsluhu podliehajú zmenám. Technické údaje sa môžu zmeniť bez predchádzajúceho upozornenia.

PIŁA STOŁOWA TSM1036

Dziękujemy za zakup tego produktu Ferm. Nabyliście Państwo doskonały produkt, dostarczany przez jednego z wiodących dostawców w Europie. Wszystkie produkty dostarczane Państwu przez Ferm są wytwarzane zgodnie z najwyższymi standardami wydajności i bezpieczeństwa. W ramach naszej filozofii zapewniamy również doskonałą obsługę klienta, wsparta wszechstronna gwarancja. Mamy nadzieję, że będziecie Państwo z przyjemnością korzystali z tego produktu przez wiele lat.

1. INSTRUKCJE DOTYCZĄCE



Przeczytać dołączone ostrzeżenia dotyczące bezpieczeństwa, dodatkowe ostrzeżenia dotyczące bezpieczeństwa oraz instrukcje.

*Nieprzestrzeganie ostrzeżeń dotyczących bezpieczeństwa oraz instrukcji może prowadzić do porażenia prądem, pożaru i/lub poważnych obrażeń ciała. **Zachować ostrzeżenia dotyczące bezpieczeństwa oraz instrukcje na przyszłość.***

Następujące symbole są umieszczone w instrukcji obsługi lub na produkcie:



Przeczytać instrukcje obsługi.



Oznacza ryzyko obrażeń ciała, śmierci lub uszkodzenia narzędzia w razie nieprzestrzegania poleceń z instrukcji.



Ryzyko porażenia prądem.



Osoby postronne powinny pozostać w bezpiecznej odległości



Nos maskę przeciwpyłową.



Załóż okulary i naszniki ochronne



Nie zbliżaj rąk do obszaru cięcia uruchomionego elektronarzędzia. Dotknięcie tarczy może prowadzić do obrażeń ciała.



Obszar niebezpieczny! Nie zbliżaj rąk, łokciów ani ramion do tego obszaru.



Maszyna klasy I Niniejsze urządzenie zostało sklasyfikowane jako klasy I oraz musi zostać podłączone do uziemionego gniazdka zasilania.



Produkt spełnia wymogi odpowiednich norm bezpieczeństwa podanych w dyrektywach UE.



Uwzględnij wymiary ostrza tnącego. Średnica otworu musi pasować do wrzeciona narzędzia bez luzu. Jeśli konieczne jest użycie wkładek redukujących, dopilnować, aby wymiary wkładki były odpowiednie dla grubości tarczy i średnicy otworu pilarki oraz średnicy wrzeciona narzędzia. Kiedy to możliwe, używać wkładek redukujących dołączonych do pilarki. Średnica tarczy pilarki musi być zgodna z informacjami podanymi na symbolu.

SZCZEGÓLNE INSTRUKCJE DOTYCZĄCE BEZPIECZEŃSTWA

UWAGA! W przypadku stosowania elektronarzędzi w celu ochrony przed porażeniem prądem elektrycznym, obrażeniami ciała i pożarem należy przestrzegać następujących, podstawowych zasad bezpieczeństwa. Upewnij się, że przeczytałeś całą instrukcję przed rozpoczęciem eksploatacji elektronarzędzia. Zachowaj broszurę dotyczącą bezpieczeństwa w celu wykorzystania w przyszłości.

- Zawsze utrzymuj miejsce pracy w czystości i porządku.
 - Bałagan w miejscu pracy może prowadzić do niezamierzonych wypadków.
- Uwzględnij wpływ czynników środowiskowych.
 - Nie wystawiaj elektronarzędzia na działanie opadów atmosferycznych.
- Nie eksploatuj elektronarzędzi w trakcie deszczu lub w środowisku o wysokiej wilgotności.
- Sprawdź, czy przestrzeń robocza jest wystarczająco oświetlona.
- Nie używaj elektronarzędzia w miejscach, w których istnieje zagrożenie pożarem lub wybuchem.
- Uwzględnij poniższe zalecenia w celu uniknięcia porażenia prądem elektrycznym.
 - Unikaj kontaktu ciała z elementami uziemionymi (np. rury, grzejniki, piece elektryczne, lodówki itp.).
- Nie dopuszczaj do zbliżania się innych osób
 - Nie dopuszczaj do zbliżania się innych osób, zwłaszcza dzieci, nie pozwól im dotykać narzędzia elektrycznego lub kabla i nie pozwól na zbliżanie się dzieci do miejsca prowadzenia prac.
- Przechowywanie nieużywanego elektronarzędzia musi zapewniać bezpieczeństwo.
 - Nieużywane elektronarzędzia winny być zamknięte lub przechowywane w miejscu suchym i niedostępnym dla dzieci.
- Nie przeciążaj elektronarzędzia.
 - Wykorzystywanie określonego zakresu mocy zapewnia lepsze i bezpieczniejsze wykonywanie prac.
- Stosuj odpowiednie elektronarzędzie.
 - Nie używaj maszyn o małej mocy do ciężkich prac
 - Nie używaj elektronarzędzia do celów, do których nie jest ono przeznaczone. Cięcie gałęzi drzew lub kłód drewna przy użyciu ręcznej piły nie jest właściwe.
- Stosuj odpowiednią odzież.
 - Nie stosuj luźnych ubrań ani biżuterii, gdyż mogą one zostać wciągnięte przez ruchome elementy maszyny.
 - W przypadku pracy na zewnątrz, zaleca się stosowanie obuwia antypoślizgowego.
 - Zaleca się stosowanie siatki w celu zabezpieczenia długich włosów.
- Stosuj wyposażenie ochronne.
 - Stosuj okulary ochronne
 - Podczas wykonywania pracy powodującej powstawanie pyłu stosuj maski oddechowe.
- Podłącz urządzenie podciśnieniowe
 - W przypadku stosowania przyłącza do podciśnienia i odciągu sprawdź, czy są one prawidłowo wykonane i sprawne.

11. Nie używaj przewodu do celów, do których nie jest przeznaczony.

- Nie używaj przewodu do wyciągania wtyczki z gniazda. Chronić kabel przed gorącym, olejem i ostrymi krawędziami.

12. Zabezpieczanie elektronarzędzia.

- Zastosuj zaciski lub imadło w celu zamocowania elektronarzędzia. Rozwiązanie to zapewnia większe bezpieczeństwo niż trzymanie elektronarzędzia ręką.

13. Unikaj nieprawidłowej postawy ciała.

- Prawidłowa postawa ciała zapewnia stabilność i utrzymanie równowagi przez cały czas prowadzenia pracy.

14. Przechowuj i konserwuj narzędzia z zachowaniem staranności.

- Narzędzia tnące winny być ostre i czyste. Zapewnia to lepsze wyniki pracy i maksymalne bezpieczeństwo.
- Postępuj zgodnie z instrukcjami dotyczącymi smarowania i zmiany narzędzi.
- Regularnie sprawdzaj przewód przyłączeniowy elektronarzędzia i zleć naprawę ew. uszkodzeń wykwalifikowanemu specjalście.
- Regularnie sprawdzaj kable przedłużające i wymieniaj je, jeśli są uszkodzone.
- Uchwyty powinny być czyste, suche i wolne od tłuszczu i oleju.

15. Odłączanie elektronarzędzia od źródła zasilania.

- W okresie, gdy elektronarzędzie nie jest wykorzystywane, w okresie przeprowadzania konserwacji i wymiany elementów takich jak ostrza, wiertła i noże.

16. Nie zostawiaj klucza wewnątrz narzędzia.

- Przed włączeniem upewnij się, że klucze i narzędzia regulacyjne zostały usunięte

17. Unikaj omyłkowego włączenia elektronarzędzia.

- Upewnij się, że podczas podłączania wtyczki do gniazda urządzenie jest wyłączone.

18. Kable przedłużające stosuj na zewnątrz budynków.

- Podczas korzystania z elektronarzędzia na zewnątrz sprawdź, czy używany przedłużacz jest odpowiedni i czy posiada on odpowiedni atest.

Dodatkowe instrukcje dotyczące bezpieczeństwa

1. Podczas korzystania z tarczy z metalowymi zębami (z końcówkami karbonowymi), zalecamy używać tarczy z ujemnymi lub nieznacznie dodatnimi kątami cięcia. Nie używaj tarczy z głęboko wyciętymi zębami. Takie tarcze mogą zaczepiać o osłonę zabezpieczającą.
2. Uwaga: Przed rozpoczęciem pracy uważnie zamontuj wszystkie części. Postępuj zgodnie z opisaną procedurą.
3. Jeśli nie wiesz, jak korzystać z tego typu maszyny, zalecamy skorzystać najpierw z pomocy profesjonalisty, instruktora lub technika.
4. Zawsze dociskaj lub mocuj obrabiany przedmiot mocno do prowadnicy piły przed rozpoczęciem cięcia. Korzystać z wszystkich możliwych zacisków i uchwytów jest korzystniejsze niż korzystanie z własnych rąk.
5. Ważne: Jeśli przed rozpoczęciem cięcia trzymasz obrabiany przedmiot ręką, zachowaj minimalny odstęp 100 mm od tarczy tnącej.
6. Zawsze dociskaj obrabiany przedmiot do blatu roboczego.
7. Tarcza tnąca musi być zawsze naostrzona. Sprawdzaj regularnie, czy tarcza obraca się swobodnie bez nietypowych drgań. Wymieniaj tarczę w razie potrzeby.
8. Pozwól maszynie obracać się bez obciążenia, aż do osiągnięcia maksymalnej prędkości obrotowej, zanim rozpoczniesz obróbkę.
9. Utrzymuj w czystości wloty powietrza z tyłu i na spodzie piły i silnika elektrycznego, aby zwiększyć ich trwałość. Usuwać nagromadzony pył i zanieczyszczenia.
10. Przed rozpoczęciem pracy zawsze stosuj blokady ustawienia kąta cięcia.
11. Kupuj tylko odpowiednie tarcze tnące przeznaczone do pracy z prędkością co najmniej 6000 obrotów na minutę.
12. Używaj tylko odpowiednich tarcz tnących. Użycie zbyt małej lub zbyt dużej tarczy jest bardzo niebezpieczne.
13. Regularnie sprawdzaj, czy tarcza nie jest uszkodzona. Wymieniaj tarczę w razie potrzeby.
14. Nasmaruj nową tarczę i oczyść kołnierze przed zamontowaniem nowej tarczy. Następnie zamontuj tarczę w odpowiednim kierunku

- i dobrze zaciśnij kołnierze przy pomocy środkowej śruby.
15. Używaj tylko oryginalnych kołnierzy. Kołnierze innego typu są nieodpowiednie.
 16. Nigdy nie pracuj bez osłony zabezpieczającej tarczę.
 17. Ruchoma część osłony zabezpieczającej również musi pozostawać zamontowana.
 18. Nigdy nie smaruj poruszającej się tarczy.
 19. Zawsze trzymaj ręce z dala od miejsca cięcia tarczy.
 20. Nigdy nie podnoś obrabianego przedmiotu, chwytając go rękami wzdłuż tarczy lub za tarczę.
 21. Dopilnuj, aby przed włączeniem maszyny obrabiany przedmiot nie dotykał tarczy tnącej.
 22. Nigdy nie używaj tej maszyny do cięcia metalu lub kamienia.
 23. Do podparcia dłuższych obrabianych przedmiotów używaj odpowiednich akcesoriów i podpór.
 24. Nigdy nie używaj maszyny w niebezpiecznym środowisku zawierającym łatwopalne gazy lub płyny.
 25. Nigdy nie pozostawiaj maszyny bez nadzoru, nie odłączysz jej najpierw od zasilania sieciowego.
 26. W przypadku wystąpienia nietypowych dźwięków, spróbuj wykręcić ich źródło lub zanieś maszynę do specjalistycznego serwisu.
 27. Jeśli jakaś część jest uszkodzona lub wadliwa, niezwłocznie ją wymień lub napraw.
 28. Nigdy nie stawaj w osi pracy tarczy - zawsze stawaj na lewo lub na prawo od biału roboczego.
 29. Na tej samej zasadzie, ręce kładź w bok od osi pracy tarczy.
 30. Zawsze używaj odpowiedniego narzędzia do przesuwania obrabianego drewna przez piłę.
 31. Zawsze ustawiaj drewniany element z przodu biału piły i odpychaj go od piły.
 32. Do cięcia ukośnego poprzecznego należy zdemontować ogranicznik i korzystać jedynie z regulowanej prowadnicy.
 33. Nigdy nie używaj ogranicznika jako linijki do odcinania belek.
 34. Jeśli tarcza utknie: zanim zajmiesz się blokadą, najpierw wyłącz maszynę.
 35. Unikaj odskakiwania obrabianych przedmiotów w swoją stronę, stosując się do poniższych zaleceń:
 - Zawsze używaj ostrej tarczy tnącej.
 - Nie przecinaj zbyt małych obrabianych przedmiotów.
 - Nigdy nie usuwaj obrabianego przedmiotu, zanim nie zostanie on całkowicie przepchnięty przez piłę.
 - Zawsze ustawiaj prowadnicę równoległe do tarczy.
 - Nigdy nie usuwaj osłon i zabezpieczeń piły.
36. Przed rozpoczęciem cięcia stań mocno i ustaw ręce w odpowiednim położeniu.
 37. Nigdy nie używaj rozcieńczalników do czyszczenia maszyny. Do czyszczenia używaj jedynie zwilżonej ściereczki.
 38. Nie używaj uszkodzonych ani odkształconych tarcz tnących.
 39. Wymieniaj zużyte wkładki biału.
 40. Stosuj wyłącznie zalecane przez producenta tarcze tnące, przeznaczone do obróbki drewna lub podobnych materiałów zgodnie z normą EN847-1.
 41. Zawsze uważnie dobieraj tarczę tnącą do materiału do obróbki.
 42. W trakcie eksploatacji podłączaj piłę do układu odprowadzania i zbierania pyłu.
 43. Stosuj i odpowiednio ustawiaj kliny rozszczepiające
 44. Stosuj i odpowiednio ustawiaj górną osłonę tarczy tnącej.
 45. Zachowaj ostrożność podczas wycinania szczelin.
- Upewnij się, że przy zmianie tarczy tnącej, szerokość tarczy nie jest mniejsza, a grubość tarczy nie jest większa niż grubość noża rozszczepiającego.
- Stosuj środki ochrony indywidualnej, takie jak np.:
- Zabezpieczenie słuchu w celu zmniejszenia ryzyka utraty słuchu
 - Zabezpieczenie oczu
 - Zabezpieczenie dróg oddechowych w przypadku zmniejszenia zagrożenia zdrowia w wyniku wdychania pyłu
 - Rękawiczki w przypadku kontaktu z ostrzami i szorstkimi materiałami (zalecamy przenoszenie tarcz tnących w pojemniku, jeżeli jest to możliwe)



Ostrzeżenie! Nie używaj ostrzy ze stali szybko tnącej HSS.

- Wstaw popychacz do uchwytu, gdy nie jest on używany.
- Do przesuwania detalu użyj popychacza lub bloku.



Ostrzeżenie! Nie wykorzystuj pily do wykonywania wypustów lub rowków.

- Stosuj wyłącznie tarcze tnące, których maksymalna prędkość obrotowa jest co najmniej równa prędkości podanej na pile i jest właściwa do cięcia danego materiału.
- Podczas transportu, górna część tarczy tnącej musi być przykryta przez osłonę.

Natychmiast wyłącz maszynę w razie wykrycia następujących usterek:

- Uszkodzona wtyczka sieciowa lub przewód sieciowy.
- Uszkodzony przełącznik.
- Przegrzanie maszyny.
- Dym lub nieprzyjemny zapach przypalonej izolacji.

Bezpieczeństwo elektryczne

Podczas korzystania z elektronarzędzi należy zawsze przestrzegać krajowych przepisów BHP w celu ograniczenia ryzyka pożaru, porażenia prądem i obrażeń ciała. Przeczytać poniższe instrukcje dotyczące bezpieczeństwa oraz dołączone instrukcje dotyczące bezpieczeństwa.



Sprawdź, czy napięcie sieciowe jest zgodne z parametrami na tabliczce znamionowej.

Wymiana kabli i wtyczek

Utylizować stare kable lub wtyczki niezwłocznie po ich zastąpieniu nowymi. Włożenie wtyczki niepodłączonego kabla do gniazda sieciowego jest niebezpieczne.

Korzystanie z przedłużacza

- Do zasilania tej maszyny należy zawsze używać przewodu nieobciążonego i/lub przedłużacza z żyłami o przekroju co najmniej 1,5 mm² i zabezpieczenia bezpiecznikiem 16 A. Upewnij się, że długość kabla przedłużającego nie przekracza 20 metrów.
- Maszyna ta może być dostosowana do

zasilania siecią jednofazową (230-240 V/50 Hz). W razie jakichkolwiek wątpliwości dotyczących zasilania elektrycznego, najpierw skonsultuj się z elektrykiem.

2. INFORMACJE O MASZYNIE

Przeznaczenie

To elektronarzędzie przeznaczone jest do eksploatacji w trybie stacjonarnym i do wykonywania prostych cięć wzdłużnych i poprzecznych w drewnie twardym i miękkim wolnym od ciał obcych, takich jak gwoździe, śruby i zaprawa murarska

Dane techniczne

Nr modelu	TSM1036
Napięcie	230-240V~
Częstotliwość	50 Hz
Pobór mocy	800W
Obroty bez obciążenia	2950/min
Kąt skosu	0° <> +45°
Tarcza tnąca	Ø200×2,4 ×Ø 16mm
Liczba zębów	24T
Maks wysokość obrabianego elementu	43 mm
Maks wysokość obrabianego elementu 45°	27 mm
Grubość kłina rozszczepiającego	2.2 mm
Grubość korpusu tarczy	1.8 mm
Ciezar	13 kg
Poziom ciśnienia akustycznego LPA	99.6 +3 dB(A)
Poziom mocy akustycznej LWA	112.6 +3 dB(A)
Wartość drgań	<2.5 m/s ²

Poziom drgań

Poziom emisji drgań podany w tej instrukcji obsługi został zmierzony zgodnie ze standaryzowanym testem podanym w normie EN 60745; może on służyć do porównywania narzędzi ze sobą oraz do wstępnego oszacowania ekspozycji na drgania podczas użytkowania narzędzia do podanych zastosowań

- używanie narzędzia do innych zastosowań lub z innymi lub źle konserwowanymi akcesoriami może znacząco zwiększać poziom ekspozycji
- okresy, gdy narzędzie jest wyłączone lub okresy, gdy jest włączone, ale nie pracuje, mogą znacząco zmniejszać poziom ekspozycji

Chronić się przed wpływem drgań, konserwując odpowiednio narzędzie i akcesoria, utrzymując ciepłotę dłoni oraz odpowiednio organizując pracę.

OPIS

Liczby w tekście odnoszą się do rysunków na stronach 2-6.

1. Powierzchnia stołu
2. Osłona ostrza
3. Popychacz
4. Tarcza piły
5. Klin rozszczepiający
6. Wkładka stołu
7. Prowadnica równoległa
8. Pokrętko przednie do regulacji kąta nachylenia
9. Pokrętko tylne do regulacji kąta nachylenia
10. Skala kątowna
11. Włacznik
12. Pokrętko prowadnicy równoległej
13. Wskaźnik skali kątownej
14. Prowadnica ukośna
15. Nakrętka tarczy
16. Adapter odsysania
17. Śruba z łbem stożkowym
18. Włębienie w kształcie litery L w klinie rozszczepiającym
19. Śruba mocująca
20. Otwory montażowe
21. Rowek w powierzchni stołu
22. Przymiar
23. Przedłużenie prowadnicy ukośnej
24. Pokrętła prowadnicy ukośnej
25. Rura odprowadzania pyłu
26. Płyta zaciskowa prowadnicy równoległej
27. Podkładka prowadnicy równoległej
28. Pokrętko kąta ukosowego
29. Duży klucz
30. Mały klucz
31. Pokrywa tarczy
32. Wkręt krzyżakowy do osłony piły
33. Pokrętko osłony
34. Nakrętka osłony
35. Śruba nośna osłony
36. Nakrętka motylkowa

3. MONTAŻ



Przed rozpoczęciem wykonywania jakichkolwiek prac dotyczących maszyny, odłączyć wtyczkę zasilania od gniazda zasilania.

Montaż / demontaż osłony tarczy

Ilustr. A, B, C

1. Maksymalnie odkręć pokrętko (33), aż do jego zetknięcia się z nakrętką (34) w sposób pokazany na ilustracji B. Uwaga: nie reguluj nakrętki (34).
2. Wsuń śrubę nośną (35) jak najdalej przez osłonę tarczy (2) tak, aby kwadratowy profil śruby nośnej (35) wystawał z osłony tarczy (2).
3. Zamontuj osłonę tarczy (2) za pomocą śruby (35) we włębieniu w kształcie litery L (18) klina rozszczepiającego (5): najpierw w kierunku do przodu, a następnie w dół w sposób pokazany na ilustracji C.
4. Następnym ponownie wciśnij śrubę nośną (35) z profilem kwadratowym do włębienia w osłonie tarczy (2).
5. Maksymalnie dokręć pokrętko (33). Uwaga: Górna osłona tarczy musi mieć możliwość swobodnego poruszania się. Demontaż odbywa się w odwrotnej kolejności.

Wymiana wkładki stołu

Ilustr. D



Zużyta lub uszkodzona wkładka stołu (6) musi zostać natychmiast wymieniona.

W przypadku zużycia lub uszkodzenia należy wymienić wkładkę stołu. Niezastosowanie się do powyższego zalecenia może prowadzić do obrażeń ciała.

1. Zdejmij osłonę tarczy (2) w wyjaśniony powyżej sposób.
2. Poluzuj śruby z łbem stożkowym (17).
3. Wymień wkładkę stołu (6). Montaż nowej wkładki stołu wykonaj w odwrotnej kolejności.

Ustawianie klina rozszczepiającego

Ilustr. E, F

1. Zdejmij osłonę tarczy (2) w wyjaśniony powyżej sposób.
2. Poluzuj śruby (19) i wymontuj klin rozszczepiający (5). Odległość między tarczą (4) a klinem rozszczepiającym (5) powinna wynosić 3-8 mm, patrz ilustr. F.
3. Upewnij się, że klin rozszczepiający jest prosty i ustawiony w linii za tarczą (4).

Montaż / wymiana tarczy

Ilustr. G, H



Podczas montażu tarczy nosić rękawice ochronne. Ryzyko obrażeń ciała w wyniku dotknięcia brzośczoła.



Używać wyłącznie tarcz zgodnych z danymi technicznymi podanymi w instrukcji. Stosuj wyłącznie tarcze z oznaczeniem prędkości równym lub wyższym niż oznaczenie prędkości podanej na maszynie.



Pod żadnym pozorem nie używać tarcz ściernych do cięcia.

1. Zdejmij pokrywę tarczy (31) odkręcając śruby krzyżakowe (32).
2. Odkręć nakrętkę, za pomocą dużego klucza (29) i kontrując wał silnika za pomocą małego klucza (30). Uwaga: obracaj nakrętkę w kierunku obracania się tarczy.
3. Zdejmij kołnierz zewnętrzny i zdejmij tarczę (4).
4. Przed zamontowaniem nowej tarczy dokładnie oczyść kołnierze tarczy. Wymianę i dokręcenie nowej tarczy wykonaj w odwrotnej kolejności.



Strzałka na tarczy tnącej wskazująca kierunek obrotów musi być skierowana w tym samym kierunku co strzałka umieszczona na maszynie. Zęby tarczy muszą być skierowane w dół z przodu tarczy.

- Przed ponownym rozpoczęciem eksploatacji piły sprawdź działanie urządzeń zabezpieczających.
- Ostrzeżenie! Po każdej zmianie tarczy sprawdź, czy osłona tarczy (2) otwiera się i zamyka w odpowiedni sposób. Dodatkowo sprawdź, czy tarcza (4) obraca się swobodnie w osłonie (2).
- Ostrzeżenie! Po każdej zmianie tarczy sprawdź, czy tarcza (4) może swobodnie poruszać się we wkładce stołu (6). Dotyczy to zarówno pozycji i nachylenia o kąt 45°.

Mocowanie na stole

Ilustr. A

Otwory montażowe (20) stołu służą do mocowania urządzenia na solidnej, płaskiej podstawie, np. na stole warsztatowym. Odpowiednie materiały montażowe (śruby itp.) są dostępne w specjalistycznych sklepach.

Odsysanie pyłu

Ilustr. I

Piła jest wyposażona w system odpylania.

- Włóż adapter odsysania (16) do gniazda odpylania (25).
- Zalecamy zastosowanie systemu odpylania o parametrach dostosowanych dla danego materiału.
- Regularnie sprawdzaj i czyść kanały ssące.

Przechowywanie luźnych części

Ilustr. A, I

W razie niekorzystania z popychacza (3), prowadnicy równoległej (7) i prowadnicy ukośnej (14), elementy te mogą zostać zamocowane. Pchacz (3) może być przechowywany w obudowie maszyny w sposób pokazany na ilustracji A. Prowadnicę kątową (14) można zamocować do obudowy maszyny za pomocą nakrętki motylkowej (36) w sposób pokazany na ilustracji I.

4. OBSŁUGA

Włączanie i wyłączanie

Ilustr. A

- Naciśnij włącznik do położenia „1”, aby uruchomić maszynę.
- Aby wyłączyć maszynę, wciśnij ten włącznik do położenia „0”
- Zawsze utrzymuj przewód zasilania z dala od ruchomych elementów.

Prowadnica równoległa

Ilustr. A, J, K

Do cięcia elementów drewnianych konieczne stosuj prowadnicę równoległą (7).

- Zamontuj prowadnicę równoległą (7) do powierzchni stołu (1) za pomocą płyty zaciskowej (26), podkładek (27) i pokręteł (12): Poza stołem piły: śruba regulacyjna (12) i podkładka (27), wewnątrz stołu piły: płyta zaciskowa (26).

Specjalne tryby pracy

Należąca do zestawu prowadnica równoległa (7) posiada dwie różne powierzchnie prowadzące o różnej wysokości, znajdujące się z każdej strony prowadnicy. W przypadku elementów płaskich stosuj stronę o mniejszej wysokości, a w przypadku elementów wysokich - stronę o wyższej wysokości oporowej.

1. Aby zmienić wysokość ogranicznika, odkręć pokrętła (12) prowadnicy równoległej (7) i wymontuj ją ze stołu.
2. Obróć prowadnicę równoległą (7) 180°, tak aby przednia część skierowana była do tyłu.
3. Ponownie dokręć pokrętło (12).

Szerokość cięcia

Prowadnica równoległa (7) może być zamontowana po obu stronach stołu (1).

1. Poluzuj oba pokrętła (12).
2. Za pomocą przymiaru (22) stołu (1) można ustawić prowadnicę równoległą (7) dożądanego rozmiaru.
3. Dokręć oba pokrętła (12), aby zamocować prowadnicę równoległą (7).
4. Oprócz wskaźnika skali zmierz także szerokość cięcia pomiędzy tarczą a prowadnicą równoległą. Po ponownym ustawieniu należy wykonać próbne cięcie w celu sprawdzenia uzyskanych wymiarów.

Prowadnica ukośna

Ilustr. L

Do cięcia poprzecznego części drewnianych stosuj prowadnicę ukośną (14).

1. Zamontuj przedłużenie (23) prowadnicy ukośnej (14) za pomocą pokręteł prowadnicy (24).
2. Wsuń prowadnicę ukośną (14) w rowek (21) stołu.
3. Poluzuj pokrętło regulacji kąta nachylenia (28).
4. Obróć przedłużenie prowadnicy ukośnej (23), aż strzałka wskaże żądany kąt.
5. Ponownie dokręć pokrętło kąta nachylenia (28).
6. Sprawdź odległość między przedłużeniem prowadnicy ukośnej (23) a tarczą (4).

Ostrzeżenie! Nie przesuwaj nadmiernie przedłużenia prowadnicy ukośnej (23) w kierunku tarczy. Odległość między przedłużeniem prowadnicy ukośnej (23) a tarczą (4) powinna

wynosić ok. 2 cm. W razie potrzeby poluzuj dwa pokrętła prowadnicy ukośnej (24) i wyreguluj przedłużenie prowadnicy ukośnej (23). Następnie dokręć pokrętła prowadnicy ukośnej (24).

Regulacja kąta nachylenia

Ilustr. A, I

1. Poluzuj przednie pokrętło regulacji kąta (8) i tylne pokrętło regulacji kąta (9).
2. Ustaw kąt nachylenia tarczy, przesuując oba pokrętła (8, 9) do ustawienia się wskaźnika (13) w pozycji żądanej kąta na skali kątowej (10).
3. Dokręć zarówno przednie pokrętło regulacji kąta (8), jak i tylne pokrętło regulacji kąta (9).

Instrukcje robocze

Istnieją dwa rodzaje cięcia:

- Cięcie wzdłużne (ilustr. K)
Cięcie przedmiotu obrabianego wzdłuż stojów drewna
- Przecinanie lub odcinanie z zastosowaniem prowadnicy ukośnej (ilustr. L)
Cięcie krzyżowe obrabianego przedmiotu



W przypadku obu metod cięcia zastosuj jeden z ograniczników. Nigdy nie eksploatuj pily bez ogranicznika!

Uwaga! Przed rozpoczęciem cięcia sprawdź następujące elementy:

1. Czy tarcza jest zamocowana?
2. Czy wszystkie dźwignie blokujące są zabezpieczone?
3. Czy ogranicznik jest ustawiony równoległe do tarczy?
4. Czy nakrętka ochronna działa prawidłowo?
5. Stosujesz okulary ochronne?
6. Czy tarcza nie ociera się o inne elementy?



Skontrolowanie powyższych punktów przed rozpoczęciem pracy jest nieodzowne!

Cięcie wzdłużne

- Zabezpiecz ogranicznik w prawidłowej pozycji pomiarowej i usuń prowadnicę odcinania z wózka warsztatowego.
- Lekko dociśnij drewno w kierunku stołu i pozwól na zsuniecie się drewna w stronę ogranicznika odcinania.



Przed włączeniem silnika nie zbliżaj elementu na odległość mniejszą niż 3 cm od tarczy. Strona drewna dosunięta do ogranicznika musi być całkowicie prosta. Nie zbliżaj rąk do toru piły na odległość mniejszą niż 10 cm.

- Włącz silnik i przed rozpoczęciem cięcia poczekać, aż tarcza piły osiągnie maksymalną prędkość obrotową.
- Podczas dociskania drewna do stołu i ogranicznika, ostrożnie przesuwaj drewno przez brzeszczot piły bez wymuszania zbytnej prędkości przesuwu.
- Nigdy nie ciągnij ciętego elementu do tyłu. W razie potrzeby należy najpierw wyłączyć silnik nie zmieniając położenia obrabianego przedmiotu.

Cięcie wzdłużne z (pionowym) ukosem

Metoda ta jest praktycznie identyczna. Różnica polega na ustawieniu tarczy pod odpowiednim kątem.



W przypadku stosowania tej metody, ogranicznik może znajdować się tylko po prawej stronie tarczy.

Cięcie wzdłużne wąskich elementów



Zawsze pamiętaj, że takie cięcie jest niezwykle niebezpieczne.

Podjąć wszelkie niezbędne środki bezpieczeństwa i równomiernie przesuwać przedmiot obrabiany (aż do całkowitego przejścia przez tarczę) za pomocą popychacza. Nie przesuwać elementu ręką.

Cięcie poprzeczne

- Usunąć ogranicznik i zastosować ogranicznik poprzeczny po prawej stronie.
- Ustawić wysokość tarczy (patrz: cięcie wzdłużne).
- Dociśnij obrabiany przedmiot do ogranicznika poprzecznego i zachowaj co najmniej 2,5 cm odległości od tarczy.
- Włącz silnik i poczekać do osiągnięcia maksymalnej prędkości obrotowej.
- Dociśnij obrabiany przedmiot do ogranicznika i stołu. Ostrożnie przesunąć drewno przez tarczę. Kontynuować aż do przesunięcia obrabianego elementu za tarczę. Następnie wyłączyć silnik i

przed usunięciem drewna nie zmieniać pozycji aż do całkowitego zatrzymania się tarczy.

- Nigdy nie ciągnij elementu do tyłu. W razie potrzeby wyłączyć silnik i nie zmieniać pozycji, aż do całkowitego zatrzymania tarczy piły.

Cięcie poprzeczne z pionowym ukosem

Metoda ta jest praktycznie taka sama jak poprzednia. Różnica polega na ustawieniu tarczy pod odpowiednim kątem.



Ustaw ogranicznik poprzeczny tylko po prawej stronie tarczy. Nigdy nie tnij zbyt małych kawałków drewna. Nigdy nie używaj rąk do wykonywania trudnych operacji.

Cięcie poprzeczne z poziomym ukosem

W przypadku tej metody ogranicznik poprzeczny musi być ustawiony pod odpowiednim kątem i zablokowany. Przed rozpoczęciem cięcia, mocno dociśnij obrabiany przedmiot do ogranicznika poprzecznego i stołu.

5. SERWIS I KONSERWACJA



Zapewnij by maszyna nie była podłączona do zasilania podczas przeprowadzania prac konserwacyjnych silnika.

Ta maszyna jest przeznaczona do pracy przez długi okres przy minimalnej konserwacji. Nieprzerwana zadowolająca praca zależy od odpowiedniego obchodzenia się z maszyną i regularnego czyszczenia

OCHRONA ŚRODOWISKA

Aby zapobiec uszkodzeniom podczas transportu, urządzenie jest dostarczane w wytrzymałym opakowaniu składającym się w większości z materiałów nadających się do ponownego użycia. Proszę skorzystać z możliwości poddania opakowania recyklingowi.



Uszkodzone lub zużyte urządzenia elektryczne lub elektroniczne należy oddać do odpowiedniego punktu zbiórki.

Tylko dla krajów Komisji Europejskiej

Nie wolno wyrzucać elektronarzędzi do domowych śmietników. Zgodnie z Dyrektywą Europejską nr 2012/19/EU dotyczącą Utylizacji Wyposażenia Elektrycznego i Elektronicznego i jej wdrożeniem w krajowe prawo, nieużywane elektronarzędzia należy gromadzić oddzielnie i utylizować w sposób przyjazny dla środowiska.

GWARANCJA

Warunki gwarancji podane są w załączonej osobnej karcie gwarancyjnej.

Produkt i podręcznik użytkownika może ulec zmianom. Dane techniczne mogą ulec zmianie bez obowiązku powiadomienia użytkownika.

PJOVIMO STAKLĖS TSM1036

Dekojame, kad isigijote ši „Ferm“ gamini. Tai - puikus gaminy, kuri jums pateike vieni pirmaujanciu Europos tiekeju. Visi „Ferm“ tiekiami gaminiai yra pagaminti pagal aukščiausius veikimo ir saugos standartus. Be to, mes užtikriname puiku technini aptarnavima, pagrįsta musu visapuse garantija. Tikimes, kad šis gaminy puikiai talkins jums ilgus metus.

1. SAUGOS INSTRUKCIJOS



Perskaitykite pateiktus ispejimus del saugos ir papildomas saugos taisykles bei nurodymus. Jei bus nesilaikoma toliau pateiktu ispejimu del saugos ir nurodymu, gali kilti pavojus gauti elektros šoka, sukelti gaisra ir (arba) smarkiai susižaloti. Išsaugokite saugos ispejimus ir instrukcijas, kad galetumete pasinaudoti ateityje.

Šiame naudotojo vadove ir ant gaminio pateikiami tokie simboliai:



Perskaitykite naudotojo vadova.



Reiškia susižeidimo pavojų, pavojų gyvybei ar irankio sugadinimo gresme nesilaikant instrukcijos nurodymu.



Elektros šoko pavojus.



Liepkite pašaliniam asmenims buti atokiai.



Dėvėkite apsauginę kaukę.



Užsidekite ausines ir apsauginius akinius



Elektriniam įrankiui veikiant, rankas ir kojas laikykite atokiai nuo pjovimo vietos. Prisilietus prie pjūklelio galima susižaloti.



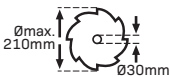
Pavojaus zona! Rankas ir kojas laikykite atokiai nuo šios vietos.



I klasės mašina. Šis prietaisas priskiriamas I apsaugos klasei ir turi būti prijungtas prie įžeminto tinklo lizdo.



Šis gaminytis atitinka galiojancius Europos direktyvu saugos standartus.



Atkreipkite dėmesį į pjovimo disko matmenis. Angos skersmuo privalo atitikti įrankio veleną be jokio laisvumo. Jei būtina naudoti reduktorius, reduktoriaus matmenys būtina privalo atitikti pagrindo peilio storį ir pjovimo disko angos skersmenį, taip pat įrankio veleno skersmenį. Jei tik įmanoma, naudokite su pjovimo disku pateiktus reduktorius. Pjovimo disko skersmuo privalo atitikti ant simbolio nurodytą informaciją.

KONKREČIOS SAUGOS TAISYKLĖS

DĖMESIO! Tam, kad apsisaugot naudojant elektrinius prietaisus nuo elektros šoko, susižeidimo bei ugnies, privalote atsižvelgti į šias saugumo priemones. Įsitikinkite, kad perskaitėte visas šias instrukcijas prieš pradėdant naudoti šį prietaisą, turėkite saugumo bukletą ir išsaugokite vėlesnei apžvalgai.

1. Visuomet dirbkite švarioje bei tvarkingoje aplinkoje.
 - Netvarkinga darbo vieta gali sukelti nelaimingus atsitikimus.
2. Turėkite omenyje aplinkos faktorius.
 - Neleiskite, kad ant įrenginio patektų lietaus lašai.
 - Nenaudokite prietaiso drėgnoje ar kitoje šlapijoje aplinkoje.
 - Įsitikinkite, kad jūsų darbo vieta turi pakankamai šviesos.
 - Nenaudokite įrankio aplinkoje su ugnimi ar sprogstamosiomis medžiagomis.
3. Kad apsaugoti save nuo elektros šoko.
 - Saugokitės, kad kūnas nesiliestų prie įžemintų dalių (pvz. vamzdžiai, radiatoriai, elektrinės viryklės, šaldytuvai ir pan.).

4. Laikykitės kitus žmones atokiau.
 - Laikykitės kitus žmones atokiau, ypačiai vaikus, neleiskite jiems prisiliesti prie įrenginio arba laido bei neleiskite vaikams būti darbo vietoje.
5. Saugiai padėkite nenaudojamus elektrinius prietaisus.
 - Nepanaudoti elektros įrankiai privalo būti užrakinami arba laikomi sausoje, vaikams nepasiekiamoje vietoje.
6. Neperkraukite savo elektros prietaiso.
 - Jūs dirbsite geriau ir saugiau besilaikant atstumo.
7. Naudokite tinkamą elektros įrankį.
 - Nenaudokite silpnos srovės įrankius atlikinėdami sunkius darbus.
 - Nenaudokite elektroninio įrankio siekiant tam netinkamų tikslų. Pavyzdžiui: jūs negalite nupjauti medžio šakas ar rąstus naudojant rankinį pjūklą.
8. Dėvėkite atitinkamus drabužius.
 - Ne dėvėkite kabančių drabužių ar papuošalų; Jie gali užsikabinti už judančių dalių.
 - Dirbant lauke rekomenduojama mūvėti neslystančią avalinę.
 - Esant ilgiem plaukams, dėvėkite šalmą
9. Naudokite apsaugos priemones.
 - Dėvėkite apsaugos akinius
 - Kuomet atliekate dulkes sukeltą darbą, dėvėkite kvėpavimo kaukę.
10. Pajunkite vakuumo įrenginį
11. Jeigu yra galimas sujungimas tarp vakuumo ir gaudyklės, tuomet jūs žinote, kad šie teisingai veikia. Nenaudokite laido tam netinkamiems tikslams.
 - Norint atjungti įrenginį, netraukite už laido. Saugokite laidą nuo karščio, tepalų bei aštrių galų.
12. Saugokite elektros priemonę.
 - Naudokite reples arba gniaužtuvą, kad laikyti elektros priemonę. Taip yra saugiau nei laikyti jį rankomis.
13. Venkite netaisyklingos padėties.
 - Tai užtikrina stabilumą bei jūsų kūno balansą.
14. Atsakingai elkitės su priemone.
 - Pjovimo priemonę išlaikykitės švarioje bei aštrią, tai užtikrins produktyvų bei saugų darbą. Laikykitės priemonės tepimo bei keitimo taisyklių.

- Reguliariai tikrinkite sujungiamojo laido veikimą ir gedimams atsiradus, leiskite ekspertams juos sutvarkyti.
 - Reguliariai tikrinkite prailgintuvus ir keiskite juos atsiradus gedimams.
 - Užtikrinkite rankenų švarumą bei nepalikite dėmių nuo tepalo ar degalų.
15. Atjunkite elektros priemonę iš rozetės.
- Kuomet nenaudojate priemonės, nusprendėte apžiūrėti, išvalyti, kuomet keičiate tokius įrankius kaip ašmenys, gražtas, ploviklis.
16. Nepalikite raktų priemonėje.
- Prieš įjungiant, įsitikinkite, kad raktai bei kitos priemonės pašalintos.
17. Venkite atsitiktinio priemonės įjungimo.
- Įsitikinkite, kad maitinimas yra atjungtas, kuomet kišate laidą į rozetę.
18. Dirbant laukia naudokite prailgintuvus.
- Naudojant elektros priemonę laukę, įsitikinkite, kad naudojate ir tam tinkamą prailgintuvą

Papildomos saugumo instrukcijos

1. Naudojant pjūklą ašmenis su kietojo metalo dantukais (padengtais anglimi) rekomenduojama naudoti ašmenis su negatyviu arba šiek tiek pozityviu pjovimo kampu. Nenaudokite pjūklą su aštriais dantukais. Jie gali užkabinti apsauginį dangtelį.
 2. Dėmesio. Iš pradžių atsargiai sujunkite visas dalis prieš pradėdami darbą. Sekite nurodymus.
 3. Jeigu neesate susipažinęs su tokio įrenginio naudojimo pagrindais, pasikonsultuokite su ekspertu profesionalu.
 4. Visuomet užsukite arba užspauskite darbinę pjūklą dalį prieš atliekant darbą. Tai rekomenduojama atlikti rankomis.
 5. Svarbu: jeigu jūs laikote darbinę dalį rankomis, laikykitės minimalios 100mm distancijos nuo pjūklą ašmens.
 6. Visuomet prispauskite darbinę dalį prie staklių.
 7. Išlaikykite savo pjūklą ašmens aštrumą bei reguliariai tikrinkite ar ašmuo laisvai sukasi be vibracijos. Jeigu yra būtinybė, pakeiskite ašmenį.
 8. Leiskite varikliui laisvai suktis kol nepasiekis maksimalų apskukų skaičių prieš pradėdami darbą.
 9. Neužblokuokite oro angų pjūklą gale bei dugne, kad užtikrinti jog elektrinis motoras tarnaus ilgai.
- Dulkių susikaupimai privalo būti šalinami.
 10. Visuomet užfiksukite skirtingą laipsnį prieš pradėdami darbą.
 11. Visuomet pirkitė tik tinkamus pjūklą ašmenis su tam tikru apskukų skaičiumi, bent jau 6000 apskukų per minutę.
 12. Naudokite tik tinkamus pjūklą ašmenis. Per maži ar per dideli ašmenys yra pavojingi.
 13. Reguliariai tikrinkite ar pjūklą ašmuo teisingai veikia, jeigu būtina, pakeiskite ašmenį.
 14. Sutepkite naują ašmenį ir išvalykite prieš sujungdami su pjūklą. Tuomet teisingą kryptimi sujunkite ašmenį atsargiai įstumiant sujungimo vietas naudojant varžtą.
 15. Naudokite tik originalius sujungėjus. Visi kiti tipai yra netinkami.
 16. Niekuomet nedirbkite be apsauginio ašmens dangčio.
 17. Judanti apsauginio dangčio dalis taip pat turi būti prijungta.
 18. Niekada netepkite ašmens kol jis sukasi.
 19. Laikykite rankas atokiau nuo besisukančio ašmens.
 20. Nemėginkite pasiekti darbo likučių, užkritisų už besisukančio pjūklą ašmens.
 21. Įsitikinkite, kad darbinės dalys nesiliečia prie neįjungto pjūklą ašmens.
 22. Nemėginkite dirbti su metalu ar akmenimis naudojant šį įrenginį.
 23. Dirbant su ilgesne medžiaga, pasikvieskite pagalbos.
 24. Nenaudokite įrenginio pavojingoje aplinkoje, kur yra degančios dujos ar kitos pavojingos medžiagos.
 25. Nepalikite įrangos be priežiūros prieš tai neištraukus laido iš maitinimo.
 26. Jei girdite keistus garsus, pamėginkite suvokti jų šaltinį arba pateikite įrenginį profesionalo apžiūrai.
 27. Jeigu kuri nors dalis yra sugadinta arba pažeista, nedelsiant pakeiskite arba sutaisykite.
 28. Nestovėkite tiesiai prieš pjūklą, bet atsistokite kairėje arba dešinėje staklių pusėje.
 29. Jūsų rankos taip pat privalo būti pastatytos šalia pjovimo trajektorijos.
 30. Visuomet naudokite priemonę, kad pastumti medieną, o ne savo rankas.
 31. Visuomet pastatykite medieną priešais pjovimo stakles ir tuomet stumkite medieną toliau.
 32. Pjovimui tik tam tinkamas paviršius turi būti naudojamas ir užtvara turi būti pašalinta.

33. Niekada nenaudokite užtvaros, kad kaip linijinio matuoklio spindulio pjovimui.
34. Jeigu pjūklo ašmuo užrakintas: išjunkite įrenginį prieš paslenkant.
35. Išvenkite atšokančių į jūsų pusę darbo dalių atmindami šias taisykles:
- Visuomet naudokite aštirus ašmenis.
 - Nepjaukite per mažų dalelių.
 - Nepaleiskite darbinių dalių kol jos visiškai nepraejo per ašmenį.
 - Visuomet sureguliuokite paralele su pjūkle.
 - Niekomet nenuimkite pjūklo apsaugos.
36. Prieš tęsiant pjovimą, įsitikinkite, kad jūs tvirtai stovite, o jūsų rankos atitinkamoje pozicijoje.
37. Niekada nenaudokite skiediklių valant įrenginį, tik drėgną medžiagą.
38. Nenaudokite pažeistų ar deformuotų pjūklo ašmenų.
39. Pakeiskite staklių įjungimą kuomet naudojate.
40. Naudokite tik pjūklo ašmenis nurodytus gamintojais, kurie yra skirti darbiui su mediena ar panašia medžiaga pagal EN847-1.
41. Atminkite, kad ašmens tipas priklauso nuo materialo, kurį galima pjauti.
42. Pjaunant sujunkite pjovimo stakles su dulkių surinkimo įrenginiu.
43. Naudokite ir teisingai nustatykite skaldymo ašmenį.
44. Naudokite ir teisingai nustatykite viršutinio ašmens apsaugą.
45. Atsargiai pjaukite.

Keičiant pjūklo ašmenį, įsitikinkite, kad ašmens plotis nėra mažesnis nei pagrindinio pjūklo ašmens storumas, kuris nėra didesnis nei skaldymo ašmens storumas.

Dėvėkite apsaugos priemonės, jos gali būti

- Klausos apsauga pamažinanti klausos praradimo riziką.
- Akių apsauga.
- Kvėpavimo apsauga pamažinanti dulkių patekimo riziką
- Pirštinių kuomet apčiuopiami ašmenys ir aštri medžiaga (rekomenduojama pjūklų ašmenis nešioti talpykloje)



Įspėjimas! Nenaudokite ašmenų HSS.

- Kuomet stūmimo lazda nenaudojama, įdėkite ją į dėklą.
- Naudokite stūmimo lazda ar bloką, kad nukreipti darbo dalį



Įspėjimas! Nenaudokite pjūklo tam, kad medieną jaidinti ar joje išdrožti.

- Naudokite tik tuos pjūklo ašmenis, kurių maksimalus greitis sutampa su tuo, kuris pavaizduotas ant pjūklo ir yra tinkamas atsižvelgiant į pjaunamą medžiagą.
- Pervežimo metu, viršutinė pjūklo dalis privalo būti uždengta.

Išjunkite įrenginį jeigu:

- Plyšta laidas ar sugenda rozetė.
- Sugenda jungiklis.
- Perdegė įrenginys.
- Vidinis degimas sukėlė dūmus ar įtartiną kvapą

Elektros saugumas

Naudojant elektros priemones, visuomet turėkite omenyje saugumo taisykles jūsų šalyje tam, kad pamažinti gaisro, elektros šoko bei asmeninių sužeidimų rizikos galimybes. Perskaitykite šias bei papildomas saugumo instrukcijas!



Visuomet įsitikinkite, kad energijos šaltinis atitinka įtampą ant lentelės

Laidų arba kištukų keitimas

Nedelsiant išmeskite senus laidus ar kištukus kuomet jie buvo pakeisti naujais. Pavojinga įstatyti plyšusio laido kištuką į rozetę sienoje.

Prailgintuvų naudojimas

- Kadangi šiam įrenginio šaltiniui visada naudojama neužkrauta linija ir/ar prailgintuvas su mažiausiai 1,5 mm² konduktorium ir apsaugotu 16 A saugikliu, įsitikinkite, kad prailgintuvas nėra ilgesnis nei 20 metrų.
- Šis įrenginys gali būti pajungtas prie vienfazio tinklo (230-240 V/50 Hz). Jeigu abejojate žemės elektros pakankamumu, pasikonsultuokite su elektriку.

2. INFORMACIJA APIE IRENGINI

Numatytoji naudojimo paskirtis

Šis galingas instrumentas yra skirtas stacionariam naudojimui, kad kietoje ir minkštoje medienoje be trikdžių (vinių, varžtų, cemento) atlikti tiesiaišilgus bei skersus pjovimus.

Techniniai duomenys

Modelio Nr.	TSM1036
Įtampa	230-240V~
Dažnis	50 Hz
Maitinimo lizdas	800W
Greitis be apkrovos	2950/min
Istrižieji kampai	0° <> +45°
Pjūklo ašmenų atstumai	Ø200×2,4 × Ø 16mm
Dantų skaičius	24T
Maks. Medžiagos aukštis 90°	43 mm
Maks. Medžiagos aukštis 45°	27 mm
Pjaunamojo ašmens storumas	2.2 mm
Ašmens storumas	1.8 mm
Svoris	13 kg
Lpa (sound pressure level)	99.6 +3 dB(A)
Lwa (sound power level)	112.6 +3 dB(A)
Vibracijos vertė	<2.5 m/s ²

Vibracijos lygis

Vibracijos sklaidos lygis, nurodytas ant šio instrukcijų vadovo užpakalinio viršelio, išmatuotas pagal standarte EN 60745 išdėstytus standartizuoto bandymo reikalavimus; ši vertė gali būti naudojama vienam įrankiui palyginti su kitu bei išankstiniam vibracijos poveikiui įvertinti, kai įrankis naudojamas paminėtais būdais.

- naudojant įrankį kitokiais būdais arba su kitokiais bei netinkamai prižiūrimais priedais, gali žymiai padidėti poveikio lygis
- laikotarpiais, kai įrankis išjungtas arba yra įjungtas, tačiau juo nedirbama, gali žymiai sumažėti poveikio lygis

Apsisaugokite nuo vibracijos poveikio prižiūredami įrankį ir jo priedus, laikydami rankas šiltai ir derindami darbo ciklus su pertraukėlėmis

APRAŠAS

Šiame tekste esantys skaičiai atitinka 2-4 psl.

1. Pagrindo paviršius
2. Pjovimo disko apsauga
3. Stūmimo įrankis
4. Pjaunamasis diskas

5. Skėlimo peilis
6. Pagrindo įdėklas
7. Lygiagretusis kreiptuvas
8. Priekinė kampo fiksavimo rankenėlė
9. Galinė kampo fiksavimo rankenėlė
10. Kampo matavimo skalė
11. Įjungimo / išjungimo jungiklis
12. Lygiagrečiojo kreiptuvo rankenėlė
13. Matlankio rodyklė
14. Nuožambių kampų kreiptuvas
15. Pjovimo disko veržė
16. Dulkių siurblio adapteris
17. Varžtas plokščia įleidžiamąja galvute
18. L formos išėma skėlimo peilyje
19. Fiksavimo sraigtas
20. Montavimo angos
21. Griovelis pagrindo paviršiuje
22. Liniuotė
23. Nuožambių kampų kreiptuvo ilgintuvas
24. Nuožambių kampų kreiptuvo rankenėlės
25. Dulkių ištraukimo anga
26. Lygiagrečiojo kreiptuvo tvirtinimo plokštė
27. Lygiagrečiojo kreiptuvo poveržlė
28. Nuožambių kampų nustatymo rankenėlė
29. Didelis veržliaraktis
30. Mažas veržliaraktis
31. Pjovimo disko gaubtas
32. Pjovimo disko gaubto „Phillips“ tipo varžtas
33. Apsauginio gaubto rankenėlė
34. Apsauginio gaubto veržlė
35. Apsauginio gaubto atraminis varžtas
36. Sparnuotosios veržlės

3. SURINKIMAS



Vykdydami bet kokius įrenginio techninės priežiūros darbus, ištraukite kištuką iš elektros tinklo lizdo.

Pjovimo disko apsauginio gaubto montavimas / nuėmimas

A, B, C pav.

1. Atsukite rankenėlę (33), kiek tik įmanoma, kol rankenėlė (33) palies veržlę (34), kaip pavaizduota B pav. Dėmesio: nereguliuokite veržlės (34).
2. Stumkite atraminį varžtą (35), kiek tik įmanoma, pro pjovimo disko apsauginį gaubtą (2) - kvadratinis atraminio varžto (35) profilis privalo išsikišti pro pjovimo disko apsauginį gaubtą (2).

- Sumontuokite pjovimo disko apsauginį gaubtą (2) su atraminium varžtu (35) skėlimo peilio (5) L formos išėjoje (18): pirmiausiai pirmyn, tada žemyn, kaip pavaizduota C pav.
- Paskui atgal atstumkite atraminį varžtą (35) - kvadratinis profilis privalo būti pjovimo disko apsauginio gaubto (2) išėjoje.
- Stipriai užveržkite rankenėlę (33), kiek tik įmanoma. Dėmesio: viršutinis pjovimo disko apsaugas turi judėti laisvai. Demontuojama atliekant veiksmus atvirkščia eilės tvarka.

Pagrindo įdėklo keitimas

D pav.



Nusidėvėjusį ar apgadintą pagrindo įdėklą (6) privaloma nedelsiant pakeisti.

Jeį pagrindo įdėklas nusidėvėjęs arba apgadintas, jį privaloma pakeisti. Antraip kyla pavojus susižaloti.

- Nuimkite pjovimo disko apsauginį gaubtą (2), kaip paaiškinta pirmiau esančiame skyriuje.
- Atsukite varžtus plokščiosiomis įleidžiamosiomis galvutėmis (17).
- Pakeiskite pagrindo įdėklą (6).

Naujas pagrindo įdėklas montuojamas atliekant veiksmus atvirkščia eilės tvarka.

Skėlimo peilio reguliavimas

E, F pav.

- Nuimkite pjovimo disko apsauginį gaubtą (2), kaip paaiškinta pirmiau esančiame skyriuje.
- Atsukite varžtus (19) ir nuimkite skėlimo peilį (5). Tarp pjovimo disko (4) ir skėlimo peilio (5) turėtų būti 3-8 mm tarpelis, kaip pavaizduota F pav.
- Skėlimo peilis būtinai turi būti tiesus ir sucentruotas už pjovimo disko (4).

Pjovimo disko montavimas / keitimas

G, H pav.



Montuodami pjovimo diską mūvėkite apsaugines pirštines. Pavojus susižaloti prisilietus prie pjūklelio.



Naudokite tik tuos pjovimo diskus, kurie atitinka naudojimo instrukcijoje nurodytas charakteristikas. Naudokite tik tuos pjovimo diskus, ant kurių nurodytas sukimosi greitis prilygsta arba viršija ant įrenginio nurodytą sukimosi greitį.



Jokiais būdais nenaudokite šlifavimo diskų ruošiniams pjauti.

- Nuimkite pjovimo disko apsauginį gaubtą (31), atsukę „Phillips“ tipo varžtus (32).
- Atsukite veržlę pateiktuoju dideliu veržliarakčiu (29), mažuoju veržliarakčiu (30) laikydami variklio veleną, kad nesisuktų. Dėmesio: veržlę sukite pjovimo disko sukimosi kryptimi.
- Nuimkite išorinę jungę ir pjovimo diską (4).
- Atsargiai nuvalykite pjovimo disko junges, prieš montuodami naują pjovimo diską. Uždėkite naują pjovimo diską ir priveržkite jį, atlikdami veiksmus atvirkščia eilės tvarka.



Ant pjovimo disko pažymėta rodyklė rodo sukimosi kryptį. Ši rodyklė privalo būti nukreipta ta pačia kryptimi kaip ir ant įrenginio pažymėta rodyklė, o pjovimo disko dantukai privalo būti nukreipti žemyn pjovimo staklių priekyje.

- Prieš pradėdant vėl naudotis pjūkle, privaloma patikrinti, ar tinkamai veikia saugos įtaisai.
- Įspėjimas! Kaskart pakeitę pjovimo diską, patikrinkite, ar tinkamai atsidaro ir užsidaro pjovimo disko apsauginis gaubtas (2). Taip pat patikrinkite, ar pjovimo diskas (4) nekliūna, ar jis laisvai sukasi pjovimo disko apsauginiame gaubte (2)
- Įspėjimas! Kaskart pakeitę pjovimo diską, patikrinkite, ar pjovimo diskas (4) gali laisvai judėti pagrindo įdėkle (6) vertikaloje padėtyje ir pakreipus 45° kampu.

Pagrindo tvirtinimas

A pav.

Įrenginio korpuse esančios montavimo angos (20) naudojamos įrenginiui pritvirtinti prie tvirto, plokščio pagrindo, pavyzdžiui, darbatalio. Tinkamų montavimo priemonių (varžtų ir pan.) galite įsigyti specializuotose parduotuvėse.

Dulkių ištraukimas

I pav.

Pjūklas turi dulkių ištraukimo sistemą.

- Įkiškite dulkių siurblio adapterį (16) į dulkių ištraukimo prievadą (25).
- Jeį tik įmanoma, primygtinai rekomenduojama naudoti pjaunamam ruošiniui tinkamą dulkių

ištraukimo sistemą.

- Reguliariai tikrinkite ir valykite siurbimo kanalų.

Nepritvirtintų dalių saugojimas, A, I pav.

Nenaudojamą stūmimo įrankį (3), lygiagrečiąją kreipiamąją (7) ir nuožambių kampų kreiptuvą (14) galima pritvirtinti. Stūmimo įrankį (3) galima laikyti įrenginio korpuse, kaip pavaizduota A pav. Nuožambių kampų kreiptuvą (14) galima pritvirtinti prie įrenginio korpuso sparnuotąja veržle (36), kaip pavaizduota I pav.

4. NAUDOJIMAS

Įjungimas / išjungimas

A1 pav.

- Paspauskite jungiklį į 1 padėtį, kad įjungtumėte stakles.
- Norint išjungti stakles, reikia tą patį jungiklį nuspausti į 0 padėtį.
- Pasirūpinkite, kad maitinimo kabelis būtų laikomas atokiai nuo judančių dalių.

Lygiagretusis kreiptuvas

A, J, K pav.

Pjaustant medines dalis privaloma naudoti lygiagretųjį kreiptuvą (7).

- Sumontuokite lygiagretųjį kreiptuvą (7) ant pagrindo paviršiaus (1) tvirtinimo plokštė (26), poveržlėmis (27) ir rankenėlėmis (12): išorinėje pjovimo disko pusėje: sumontuokite varžtą (12) ir poveržlę (27); Vidinėje pjovimo disko pusėje: sumontuokite tvirtinimo plokštę (26).

Naudotojo režimai

Skirtingose pateikto lygiagrečiojo kreiptuvo (7) pusėse kreipiamojo paviršiaus aukštis skiriasi. Plokštiems ruošiniams naudokite žemesnę pusę, o aukštiems ruošiniams - aukštesnę.

1. Jei norite pakeisti stabdiklio aukštį, atsukite lygiagrečiojo kreiptuvo (7) rankenėles (12) ir nuimkite jį nuo pagrindo.
2. Apsukite lygiagretųjį kreiptuvą (7) 180 ° kampu, kad priekinis galas būtų nukreiptas į galą.
3. Vėl užveržkite rankenėles (12).

Pjovimo plotis

Lygiagretųjį kreiptuvą (7) galima montuoti bet kurioje pagrindo paviršiaus (1) pusėje.

1. Atsukite dvi rankenėles (12).
2. Naudojantis ant pagrindo paviršiaus (1) esančia liniuote (22), galima nustatyti norimą lygiagrečiojo kreiptuvo (7) dydį.
3. Užfiksuokite lygiagretųjį kreiptuvą (7) užverždami dvi rankenėles (12).
4. Taip pat išmatuokite pjovimo plotį tarp pjovimo peilio ir lygiagrečiojo kreiptuvo. Nustatę, atlikite bandomąjį pjūvį, kad patikrintumėte matmenis.

Nuožambių kampų kreiptuvas

L pav.

Pjaustant medines dalis skersai, privaloma naudoti nuožambių kampų kreiptuvą (14).

1. Pritvirtinkite nuožambių kampų kreiptuvo ilgintuvą (23) prie nuožambių kampų kreiptuvo (14) nuožambių kampų kreiptuvo rankenėlėmis (24).
2. Įstumkite nuožambių kampų kreiptuvą (14) į pagrindo paviršiaus griovelį (21).
3. Atsukite nuožambių kampų nustatymo rankenėlę (28).
4. Sukite nuožambių kampų kreiptuvo ilgintuvą (23), kol rodyklė rodys norimą kampą.
5. Vėl užveržkite nuožambių kampų nustatymo rankenėlę (28).
6. Patikrinkite tarpą tarp nuožambių kampų kreiptuvo ilgintuvo (23) ir pjovimo disko (4).

Įspėjimas! Nepristumkite nuožambių kampų kreiptuvo ilgintuvo (23) per arti pjovimo disko. Tarpas tarp nuožambių kampų kreiptuvo ilgintuvo (23) ir pjovimo disko (4) privalo būti maždaug 2 cm. Jei būtina, atsukite dvi nuožambių kampų kreiptuvo rankenėles (24) ir nustatykite nuožambių kampų kreiptuvo ilgintuvą (23). Paskui vėl užveržkite nuožambių kampų kreiptuvo rankenėles (24).

Kampo nustatymas

A, I pav.

1. Atsukite priekinę kampo fiksavimo rankenėlę (8) ir galinę kampo fiksavimo rankenėlę (9).
2. Nustatykite pjovimo disko kampą, slinkdami dvi rankenėles (8, 9) tol, kol rodyklė (13) ant matlankio (10) rodys norimą kampą.
3. Užveržkite priekinę kampo fiksavimo rankenėlę (8) ir galinę kampo fiksavimo rankenėlę (9).

Darbo instrukcijos

Galimi du pjovimo būdai:

- Pjovimas išilgai (K pav.)
Ruošinys pjaunamas išilgai medienos pluošto.
- Pjovimas skersai arba nupjovimas (naudokite nuožambųjį kreiptuvą) (L pav.)
Ruošinys pjaunamas skersai.



Pjaunant abiem pjovimo būdais, būtina naudoti kurį nors vieną kreiptuvą. Niekada nepjaukite be kreiptuvo!

Dėmesio! Prieš pradėdami pjauti, patikrinkite:

1. Ar pjūklas ašmuo apsaugotas?
2. Ar fiksavimo rankenos veikia?
3. Ar aptvara sulyginta su pjūklų?
4. Ar apsauginis dangtis teisingai veikia?
5. Ar jūs dėvite apsauginius akinius?
6. Ar pjūklas ašmuo nesitrina apie nieką?



Labai svarbų atkreipti į visą tai dėmesį prieš pradėdami darbą

Pjovimas išilgai

- Pastatykite aptvarą į teisingą poziciją ir nuimkite nupjovimo liniuotę nuo staklių.
- Lengvai spustelkit medieną į stakles ir leiskit jai slysti prieš nupjovimo aptvarą.



Atsitraukite bent jau 3cm nuo pjūklo ašmens priekio prieš įjungdami motorą. Medienos šonas, kuri slysta prieš aptvarą, privalo būti visiškai tiesi. Laikykite rankas bent jau 10 cm toliau nuo pjovimo trajektorijos.

- Užveskite motorą ir prieš naudodami stakles, palaukite kol pjūklas pasieks maksimalų apskukų skaičių.
- Kol spaudžiat medieną į stakles ar aptvarą, jūs galite atsargiai pastumti medieną per ašmenį tuo metu ne naudodant jėgos.
- Niekada netraukite medienos atgal. Jeigu būtina, išjunkite motorą nekeičiant medienos pozicijos.

Pjovimas išilgai su (vertikaliu) nupjovimu

Šis būdas yra beveik toks pats, tik pjūklas ašmuo yra pastatytas reikiamu kampu.



Šiuo būdu aptvaras gali būti tik palei dešinėje pjūklo pusėje

Turėkite omenyje, kad šis procesas yra labai pavojingas.



Siaurų darbo dalių pjovimas išilgai

Pasinaudokite visomis saugumo priemonėmis ir pastoviai stumkite darbo dalį (kol už pjūklo ašmens) naudojant stumdymo lazdelę, o ne savo ranką.

Kryžminis pjovimas

- Pašalinkite aptvarą ir panaudokite kryžminę aptvarą dešinėje pakabos pusėje.
- Nustatykite pjūklo ašmens aukštį (žiūrėti apie pjovimą išilgai).
- Spauskite darbinę dalį prieš kryžminę aptvarą ir laikykite bent jau 2,5 cm atstumą nuo priekinės pjūklo dalies.
- Užveskite motorą ir palaukite kol bus pasiektas maksimalus apskukų skaičius.
- Spauskite darbinę dalį prieš aptvarą ir stakles. Atsargiai stumkite medieną per pjūklo ašmenį. Tęskite kol medieną neatsidurs už ašmens. Tuomet išjunkite motorą ir išlaikykite tokią poziciją kol pjūklas visiškai nesustos ir tik tada patraukite medieną.
- Niekomet netraukite medienos atgal. Jeigu būtina, išjunkite motorą ir išlaikykite poziciją kol pjūklo ašmuo visiškai nesustos.

Kryžminis pjovimas su vertikaliu nupjovimu

Šis metodas beveik toks pats, tik, kad ašmuo statomas tam tikru kampu.



Kryžminę aptvarą statykite tik dešinėje pjūklo pusėje. Niekada nepjaukite itin mažų medienos pluoštų. Niekomet nenaudokite savo rankų atliekant sudėtingus veiksmus.

Kryžminis pjovimas su horizontaliu nupjovimu Su šiuo būdu kryžminė aptvara privalo būti pastatyta tam tikru kampu. Laikykite darbinę dalį stipriai prispaustą prie kryžminės aptvaros ir staklių prieš pradėdami nupjovimą.

5. TEHNINIS APTARNAVIMAS IR PRIEŽIURA



Atliekant variklio tehninēs priežiūros darbus, įrankis būtinai turi būti išjungtas.

Šis įrengimas skirtas ilgalaikiam naudojimui minimaliai techniškai jį prižiūrint. Nuolatinis kokybiškas įrenginio darbas priklauso nuo to, ar mašina tinkamai prižiūrima ir reguliariai valoma.

APLINKA

Kad išvengtų transportavimo defektų, pakuotė yra kieta, didesnė jos dalis pagaminta iš perdirbamos medžiagos. Todėl pakuotę šalinkite tinkamu būdu.



Sugedusius ir/arba išmestus nereikalingus elektrinius arba elektroninius įrenginius reikia pristatyti į atitinkamą atliekų perdirbimo ir pakartotinio panaudojimo punktą.

Skirta tik EB šalims

Neišmeskite elektros įrankių į buitinių atliekų konteinerius. Remiantis Europos elektros ir elektroninės įrangos atliekų gairių direktyva 2012/19/EU ir jos realizavimu tarptautinėje teisėje, ilgiau nenaudojami elektros įrankiai turi būti surenkami atskirai ir išmetami nežalingu aplinkai būdu.

GARANTIJA

Garantinės sąlygos pateiktos garantinio aptarnavimo talone.

Produktas ir naudotojo instrukcijos gali būti pakeistos. Specifikacijos gali būti keičiamos be įspėjimo.

GALDA ŽAĖIS TSM1036

Pateiciamies, ka iegadajaties šo Ferm izstradajumu. Tadejadi jums tagad ir lielisks izstradajums, ko piegada viens no vadošajiem Eiropas piegadatajiem. Visi izstradajumi, ko ražojis Ferm, ir izgatavoti atbilstīgi visaugstakajiem veiktspejas un drošības standartiem. Musu filozofijas pamata ir ari izcila klientu apkalpošana, kas ietilpst musu visaptverošajā garantijā. Mes ceram, ka šo izstradajumu ar prieku lietosiet gadiem ilgi.

1. DROŠĪBAS NORADĪJUMI



Izlasiet šeit pievienotos drošības bridinajumus, papildu drošības bridinajumus un noradījumus. Ja netiek ieveroti drošības bridinajumi un noradījumi, var gut elektriskas stravas triecienu, izraisīt ugunsgrėku un/vai gut smagus ievainojumus. Saglabajiet drošības bridinajumus un noradījumus turpmakam uzzinam.

Šaja lietošanas rokasgramata vai uz izstradajuma tiek lietoti šadi apzimejumi:



Izlasiet lietošanas rokasgramatu.



Apzime ievainojuma, naves vai instrumenta bojajuma risku, ja netiek ieveroti šaja rokasgramata sniegtie noradījumi.



Elektrošoka risks.



Nelaujiet citam personam tuvoties stradajošam ripzagam.



Nēsājiet putekļu masku.



Lietojiet ausu un acu aizsardzību.



Netuviniet rokas zāģēšanas zonai, kamēr elektroinstrumenti darbojas. Saskaroties ar zāģa asmeni, var gūt ievainojumus.



Bīstamā zona! Neturiet plaukostas, pirkstus vai rokas šīs zonas tuvumā.



I klases mašīna. Šī ierīce ir klasificēta kā I aizsardzības klase, un tai jābūt savienotai ar iezemētu tīkla kontaktlīdzu.



Izstrādājums atbilst speka esošiem Eiropas direktīvu drošības standartiem.



Ņemiet vērā zāģa asmens izmērus. Atveres diametram precīzi jāatbilst instrumenta vārpstai bez spēles. Ja ir jāizmanto reducētājs, tā izmēriem ir jābūt piemērotiem pamatnes asmens biežumam un zāģa asmens atveres diametram, kā arī instrumenta vārpstas diametram. Ja vien iespējams, izmantojiet zāģa asmeni komplektācijā iekļautos reducētājus. Zāģa asmens diametram jāatbilst informācijai, kas norādīta uz simbola.

ĪPAŠI DROŠĪBAS NORĀDĪJUMI

UZMANĪBU! Lai aizsargātu pret elektriskās strāvas triecienu, no traumām un uguns, lietojot elektriskus instrumentus, ir jāievēro šādi galvenie drošības pasākumi.

Pārliecinieties, ka esat izlasījuši visus šos norādījumus pirms izmantojat šos elektroinstrumentus; saglabājiet drošības bukletu.

1. Vienmēr uzturiet savu darbavietu tīru un kārtīgu.
 - nekārtīga darbavietā var izraisīt nevēlamus negadījumus.
2. Apsveriet ārējo apstākļu ietekmi.
 - Sargiet elektroinstrumentu no lietus.
 - Nelietojiet elektroinstrumentu mitrā vai slapjā vidē.
 - Pārliecinieties, ka jūsu darba telpā ir pietiekams apgaismojums.
 - Nelietojiet elektroinstrumentu vietās, kur pastāv ugunsgrēka vai sprādziena briesmas.
3. Lai pasargātu sevi no elektriskās strāvas triecienu
 - Izvairieties no ķermeņa saskares ar iezemētām daļām (piem. caurulēm, radiatoriem, elektriskajām plītnīm, ledusskapjiem u.c.)
4. Nepieļaujiet citu cilvēku atrašanos elektroinstrumenta tuvumā.
 - It sevišķi bērnu; neļaujiet viņiem pieskarties jūsu elektroinstrumentiem vai kabelim un neļaujiet tiem atrastie darba zonā.
5. Glabājiet neizmantotus elektroinstrumentus drošā vietā.
 - Elektroinstrumenti, kuri netiek izmantoti, jāuzglabā sausā un bērniem nepieejamā vietā.
6. Nepārslogojiet savu elektroinstrumentu.
 - Jūs strādāsiet labāk un drošāk norādītajā jaudas diapazonā.
7. Izmantojiet pareizu elektroinstrumentu.
 - Neizmantojiet mazjaudas instrumentus smagam darbam.
 - Nelietojiet elektroinstrumentu nolūkam, kuram tas nav paredzēts. Piemēram, jūs nevarat zāģēt koka zarus vai baļķi, izmantojot rokas zāģi
8. Valkājiet piemērotu apģērbu
 - Nevalkājiet vaļīgu apģērbu vai rotaslietas; tie var ieķerties kustīgajās daļās
 - Strādājot ārpus telpām, ir ieteicami neslidoši apavi
 - Gariem matiem izmantojiet matu tīkliņus
9. Izmantojiet aizsarglīdzekļus
 - Valkājiet aizsargbrilles
 - Veicot darbus, kas rada putekļus, izmantojiet elpošanas masku.
10. Pievienojiet vakuuma iekārtu
 - Ja savienojums ar vakuumu un ķērāju ir pieejams, tad ir skaidrs, ka tādā gadījumā tie ir savienoti un tiek izmantoti pareizi
11. Neizmantojiet kabeli mērķiem, kam tas nav paredzēts.
 - Neizmantojiet savienotāja kabeli, lai izrautu to no kontaktlīdzdas. Aizsargājiet kabeli no karstuma, eļļas un asām malām
12. Nostipriniet elektroinstrumentu
 - Izmantojiet skavas, lai turētu elektroinstrumentu. Tas ir drošāk, nekā pieturēt to ar savu roku.
13. Izvairieties no nedabiskas pozas
 - Tas nodrošinās stabilitāti un palīdzēs noturēt

- līdzsvaru.
14. Uzturiet instrumentus darba kārtībā un pienācīgi tos uzglabājiet
 - Uzturot griešanas instrumentus asus un tīrus, tie labāk strādās, un darbs ar tiem būs drošs.
 - Ievērojiet eļļošanas un instrumentu detaļu maiņas norādījumus
 - Pārbaudiet pagarinātājus regulāri un ļaujiet kvalificētam ekspertam remontēt jebkādas bojājumus.
 - Pārbaudiet pagarinātājus regulāri un aizstājiet tos, ja tie ir bojāti.
 - Uzturiet rokturus tīrus, sausus un bez taukiem un eļļām
 15. Atvienojiet elektroinstrumentus no strāvas kontaktligzdas
 - kad jūs neizmantojiet elektroinstrumentus, kad veicat apkopi un, kad maināt to detaļas, piemēram, lāpstīņas, urbjus un griezējus
 16. Neatstājiet atslēgas instrumenta iekšpusē
 - Pirms ieslēgšanas pārlicinieties, ka atslēgas un uzstādīšanas instrumenti ir tīri
 17. Izvairieties no nejaušas instrumenta ieslēgšanas.
 - Pārlicinieties, ka jauda ir izslēgta, kamēr jūs savienojiet kontaktdakšu ar rozeti.
 18. Izmantojiet pagarinātāju, kad j esat ārā
 - Lietojot elektroinstrumentu ārā, pārlicinieties, ka izmantojiet atbilstošu un ar markējumu apstiprinātu pagarinātāju

Papildu drošības instrukcijas

1. Lietojot zāga asmeņus ar cietmetāla zobiem (oglekļa smailēm) ir ieteicams izmantot asmeņus ar negatīvu vai nedaudz pozitīvu griešanas leņķi. Nelietojiet zāga asmeņus ar dziļi izgrieztiem zobiem. Tie var aizķerties aiz aizsargvāciņa.
2. Uzmanību: Pirms darba uzsākšanas rūpīgi samontējiet visas detaļas. Ievērojiet norādīto procedūru.
3. Ja jūs nekad neesat lietojis šo mašīnu, labāk būtu, ja jūs konsultētos ar kādu speciālistu, kā piemēram instruktoru vai tehniķi.
4. Pirms darba procesa uzsākšanas, vienmēr piestipriniet vai stingri piespiediet sagatavi pie vadīšanas dēlīša. Lietojot visus fiksējošā komplektā esošos piederumus, sagatavi ieteicams pieturēt arī ar rokām.
5. Svarīgi: Ja jūs pieturat apstrādājamo detaļu ar rokām, lai veiktu darba procesu, saglabājiet kā minimālo distance līdz zāga asmenim 100 mm.
6. Vienmēr piespiediet apstrādājamo detaļu pie galda.
7. Uzglabāt zāga asmeni asu un regulāri pārbaudīt, vai tas griežas brīvi, bez neparastām vibrācijām. Ja nepieciešams, nomainiet zāga asmeni.
8. Pirms darba uzsākšanas, ļaujiet mašīnai brīvi rotēt, līdz tā sasniedz maksimālo apgriezību skaitu
9. Lai mašīna ilgāk kalpotu, uzturiet kārtībā gaisa ieplūdes atveres galda zāgmašīnas un elektromotora aizmugurē un apakšā. Sakrājušies putekļi jānotīra.
10. Pirms darba uzsākšanas vienmēr izslēdziet dažādu pakāpju uzstādījumus.
11. Iegādājieties piemērotus zāga asmeņus ar apgriezību skaitu vismaz 6000 apgriezieniem minūtē.
12. Izmantojiet tikai pareizā izmēra zāga asmeni. Lietot pārāk mazu vai pārāk lielu zāga asmeni ir ļoti bīstami.
13. Regulāri pārbaudiet, vai zāga asmenim nav kādi defekti. Ja nepieciešams, nomainiet zāga asmeni.
14. Ieļļojiet jauno zāga asmeni un pirms uzmontēšanas notīriet atlokus. Tad uzmontējiet asmeni pareizā virzienā un ar centrālās skrūves palīdzību stingri pievelciet atlokus.
15. Izmantojiet tikai oriģinālos atlokus. Visi citi veidi nav piemēroti.
16. Nekad nestrādājiet, ja uz zāga asmens nav aizsargvāka.
17. Aizsargvāka kustīgajai daļai arī ir jāpaliek samontētai.
18. Nekad neeļļojiet zāga asmeni, kamēr tas rotē.
19. Nekad neturiet rokas uz zāga asmens trases.
20. Nekad nenonemiet apstrādājamo detaļu, pieskaroties ar rokām gar vai aiz zāga asmeņa.
21. Pārlicinieties, lai apstrādājamā detaļa nekad nepieskartos zāga asmenim, pirms mašīna nav ieslēgta.
22. Ar šo mašīnu nekad nevar apstrādāt priekšmetus no metāla vai akmens.
23. Lai atbalstītu lielas apstrādājamās detaļas, izmantojiet atbalsta palīg līdzekļus.
24. Nekad nelietojiet mašīnu bīstamā vidē, kur tuvumā atrodas viegli uzliesmojošas gāzes vai šķidrums.
25. Nekad neatstājiet mašīnu bez uzraudzības, pirms neesat to atvienojuši no elektrotīkla sprieguma.

26. Ja jūs dzirdat neparastus trokšņus, mēģiniet atrast to cēloni vai arī uzticiet to veikt atzītam montierim vai remonta uzņēmumam.
27. Ja kāda no detaļām izsalūzusi vai bojāta, nekavējoties to nomainiet vai salabojiet.
28. Nekad nestāviet pret zāga asmeni, bet gan stāviet zāggalda labajā vai kreisajā pusē.
29. Tādā veidā jūsu rokas atradīsies blakus zāga asmenim.
30. Vienmēr izmantojiet grūzamo nūjiņu, lai nevirzītu koksni caur zāģi ar rokām.
31. Vienmēr novietojiet koksni zāga galda priekšējā daļā un tad virziet to tālāk uz aizmuguri.
32. Leņķu veidošanai ir jālieto vienīgi regulējamais vadīšanas līdzeklis un aizsargs ir jānoņem.
33. Nekad nelietojiet aizsargu kā lineāru mēru, lai zāģētu sijas.
34. Ja zāga asmens ir bloķēts, vispirms izslēdziet mašīnu, pirms mēģiniet novērst vainu.
35. Jūs Izvairīsieties no tā, lai apstrādājamās detaļas netrāpītu atpakaļ jūsu virzienā, ja ievērosiet šādu piesardzību:
 - *Vienēr izmantojiet asus zāga asmeņus.*
 - *Nezāģējiet pārāk mazas apstrādājamās detaļas.*
 - *Nekad neatbrīvojiet apstrādājamās detaļas pirms tās nav izgājušas cauri zāģim.*
 - *Vienmēr pielāgojiet, lai vadīšanas dēlītis atrastos paralēli zāga asmenim.*
 - *Nekad nenoņemiet zāga aizsargu.*
36. Pirms jūs turpināt zāģēšanu, pārliecinietiesm vai jūs stāvat stingri un vai jūsu rokas atrodas vajadzīgā pozīcijā.
37. Mašīnas tīrīšanai nekad nelietojiet šķīdinātājus. Izmantojiet tikai mitru drāniņu.
38. Nelietojiet zāga asmeņus, kuri ir bojāti vai deformēti.
39. Nomainīt galda ieliktni, kad tas ir nolietots.
40. Izmantojiet tikai ražotāja norādītos zāga asmeņus, kas paredzēti koka vai līdzīgu materiālu sagatavošanai saskaņā ar EN847-1.
41. Ievērojiet, ka zāga asmens izvēle ir atkarīga no zāģējamā materiāla.
42. Kad jus zāģējat, pievienojiet galda zāģim putekļu savākšanas ierīci.
43. Rotējošo nazi lietojiet un regulējiet pareizi.
44. Augšējo zāga asmeni lietojiet un regulējiet pareizi.
45. Uzmanieties iezāģējot rievās.

Mainot zāga asmeni, pārliecinieties, vai asmens platums nav mazāks un vai zāga galvenā asmens biezums nav lielāks par rotējošā naža biezumu. Lietojiet individuālos aizsardzības līdzekļus, kuros ietilpst

- Līdzekļi dzirdes aizsardzībai, lai mazinātu risku zaudēt dzirdi.
- Acu aizsardzība
- Elpošanas ceļu aizsardzība, lai samazinātu risku ieelpot kaitīgus putekļus
- Cimdi, ja jāņem rokās asmeņi un raupji materiāli (ieteikums, zāga asmeņus, ja tas jādara, manipulējiet, turot virs konteina)



Uzmanību ! Nelietojiet HSS asmeņus.

- Grūzamo nūjiņu ievietojiet turētājā, kad to nelietojiet.
- Lai vadītu apstrādājamo detaļu, izmantojiet grūzamo nūjiņu vai grūzamo paliktņi.



Uzmanību ! Nelietojiet zāģi, lai veidotu izcilņus un rievās.

Izmantojiet tikai zāga asmeņus, kuru maksimālais ātrums ir vismaz tāds, kāds ir norādīts uz zāga un ir piemērots materiāla zāģēšanai. Transportēšanas laikā zāga asmens augšējā daļa ir jāaizklāj ar aizsargu.

Izslēdziet mašīnu katru reizim kad jūs pamanāt:

- Bojātu elektrotīkla kontaktdakšu vai elektrotīkla pievadu.
- Bojātu slēdzi.
- Mašīnas pārkaršanu.
- Dūmus vai smaku, ko izraisījusi piedegusi izolācija.

Elektriskā drošība

Lietojot elektriskās mašīnas vienmēr ievērojiet drošības noteikumus, kas piemērojami jūsu valstī, lai samazinātu ugunsgrēka, elektriskās strāvas trieciena un ievainojumu riskus. Izlasiet šos drošības noteikumus, kā arī pievienotos drošības norādījumus!



Vienmēr pārliecinieties, vai strāvas padeve padeve atbilst spriegumam, kas minēts uz dat datu plāksnītes.

Kabeļu un kontaktspraudņu nomaiņa

Nekavējoties izmetiet vecos kabeļus un kontaktspraudņus, kad esat tos nomainījuši pret jauniem. Ir bīstami ievietot kontaktspraudni vai vaļēju kabeli sienas kontaktligzdā.

Pagarinātāju izmantošana

- Lai piegādātu elektrisko strāvu šai mašīnai vienmēr izmantojiet nenoslogotu līniju un / vai pagarinātāja kabeli ar vadītājiem vismaz 1,5 mm² un aizsargātu ar 16 A drošinātāju. Pāliecinieties, vai šis pagarinātāja kabelis nav garāks par 20 metriem.
- Šī mašīna var tikt pieslēgta vienfāzes tīklam (230-240 V/50 Hz). Ja jums ir šaubas par elektrības piegādes iezemējumu, vispirms konsultējieties ar elektriķi.

2. INSTRUMENTA DATI

Paredzeta lietošana

Šis elektroinstruments ir paredzēts kā stacionāra iekārta, lai izgatavotu taisni, gareniski un šķērsām zāģētu cietu un mīkstu koksni, kurā nav svešķermeņu, piemēram, naglas, skrūves un java.

Tehniskā specifikācija

Modela Nr.	TSM1036
Spriegums	230-240V~
Frekvence	50 Hz
Ieejas jauda	800W
Brīvgaitas ātrums	2950/min
Slīpums	0° <> +45°
Zāģa asmens izmēri	Ø200×2,4×Ø 16mm
Robu skaits	24T
Sagataves maks. augst. 90°	43 mm
Sagataves maks. augst. 45°	27 mm
Rotējošā asmeņa biezums	2.2 mm
Asmeņa plates biezums	1.8 mm
Svars	13 kg
Lpa (Skaņas spiediena līmenis)	99.6 +3 dB(A)
Lwa (Skaņas intensitātes līmenis)	112.6 +3 dB(A)
Vibrāciju vērtība	<2.5 m/s ²

Vibrācijas līmenis

Šīs rokasgrāmatas aizmugurē ar zvaigznīti norādītais vibrācijas emisiju līmenis mērīts, izmantojot standartā EN 60745 paredzēto testu; to var izmantot, lai salīdzinātu instrumentus un provizoriski izvērtētu vibrācijas iedarbību, lietojot instrumentu minētajiem mērķiem

- instrumenta izmantošana citiem mērķiem vai ar citiem vai nepietiekami koptiem piederumiem var ievērojami palielināt iedarbības līmeni
- laika periodi, kad instruments ir izslēgts vai arī ir ieslēgts, taču ar to nestrādā, var ievērojami samazināt iedarbības līmeni

Pasargājiet sevi no vibrācijas ietekmes, veicot instrumenta un tā piederumu tehnisko apkopi, gādājot, lai rokas ir siltas, un organizējot darba gaitu

APRAKSTS

Teksta norādītie numuri attiecas uz 2-6 lpp. redzamajiem attēliem.

- Galda virsma
- Asmens aizsargs
- Virzošais lineāls
- Zāģa asmens
- Šķēlējnazis
- Galda starplika
- Paralēlā vadītājs
- Priekšējais kloķis leņķa regulēšanai
- Aizmugurējais kloķis leņķa regulēšanai
- Leņķa skala
- Ieslēgšanas/izslēgšanas slēdzis
- Paralēlā ierobežotāja vadītājs
- Leņķa skalas rādītājs
- Leņķzāģēšanas vadītājs
- Zāģa asmens uzgrieznis
- Putekļsūcēja adapters
- Gremdgalvas skrūve
- Šķēlošā naža L veida padziļinājums
- Fiksācijas skrūve
- Montāžas caurumi
- Galda virsmas rieva
- Lineāls
- Leņķa vadītājs pagarinājums
- Leņķa vadītājs kloķis
- Putekļu izvadatvere
- Paralēlā ierobežotāja spriegošanas plātne
- Paralēlā ierobežotāja paplāksne
- Zāģēšanas leņķa kloķis

29. Liela uzgriežņatslēga
30. Maza uzgriežņatslēga
31. Zāga asmens apvalks
32. Krustveida rievas skrūve zāga asmens aipvalkam
33. Aizsarga kloķis
34. Aizsarga uzgrieznis
35. Aizsarga bultskrūve ar pusapaļu galvu un kvadrāta pagalvi
36. Spārnuzgriežņi

3. SALIKŠANA



Pirms rīkošanās ar instrumentu vispirms atvienojiet kontaktdakšu no barošanas avota.

Zāga asmens aizsarga uzstādīšana un noņemšana

A., B., C. att.

1. Atveriet kloķi (33) līdz galam, līdz kloķis (33) saskaras ar uzgriezni (34), kā norādīts B. attēlā. Uzmaniību! Neregulējiet uzgriezni (34).
2. Izveriet bultskrūvi ar pusapaļu galvu un kvadrāta pagalvi (35) caur zāga asmens aizsargu (2) līdz galam tā, lai bultskrūves (35) kvadrāta pagalvis būtu izvirzīts ārpus zāga asmens aizsarga (2).
3. Uzstādiat zāga asmens aizsargu (2) kopā ar bultskrūvi ar pusapaļu galvu un kvadrāta pagalvi (35) šķeļošā naža (5) L veida padziļinājumā (18): vispirms uz priekšu, tad uz leju, kā norādīts C. attēlā.
4. Tad vēlreiz iespiediet bultskrūvi ar pusapaļu galvu un kvadrāta pagalvi (35) atpakaļ zāga asmens aizsargā (2) tā, lai kvadrāta pagalvis būtu aizsarga padziļinājumā.
5. Pievelciet kloķi (33) līdz galam. Uzmaniību! Augšējā zāga asmens aizsargam jākustas brīvi. Izjaukšana ir jāveic pretējā secībā.

Galda starplikas nomaiņa

D. att.



Ja galda starplika (6) ir nolietota vai bojāta, tā ir nekavējoties jānomaina.

Nolietota vai bojāta galda starplika ir jānomaina, citādi pastāv daudz augstāks risks gūt ievainojumus.

1. Neizņemiet zāga asmens aizsargu (2), kā norādīts iepriekšējā rindkopā.
2. Atskrūvējiet gremdgalvas skrūves (17).
3. Nomainiet galda starpliku (6).
Jaunā galda starplika ir jāuzstāda pretējā secībā.

Šķeļošā naža regulēšana

E., F. att.

1. Neizņemiet zāga asmens aizsargu (2), kā norādīts iepriekšējā rindkopā.
2. Atskrūvējiet skrūves (19) un noņemiet šķeļošo nazi (5). Attālumam starp zāga asmeni (4) un šķeļošo nazi (5) jābūt 3-8 mm, kā norādīts F. attēlā.
3. Raugieties, lai šķeļošais nazis ir taisns un iecentrēts aiz zāga asmens (4).

Zāga asmens uzstādīšana un nomaiņa

G., H. att.



Uzstādot zāga asmeni, valkājiet aizsargcimdus. Ievainojuma risks, pieskaroties zāga asmenim.



Lietojiet tikai tādus zāga asmeņus, kas atbilst ekspluatācijas norādījumos minētajiem raksturlielumiem. Lietojiet tikai tādus zāga asmeņus, kuru marķējumā norādītais ātrums nav mazāks par ātrumu, kas norādīts uz instrumenta.



Nekādā gadījumā nelietojiet slīpripas kā instrumenta griezni.

1. Noņemiet zāga asmens pārvalku (31), atskrūvējot gremdgalvas skrūves (32).
2. Atskrūvējiet uzgriezni, ar lielo uzgriežņatslēgu (29) turot un griežot uzgriezni un ar mazo uzgriežņatslēgu (30) turot un griežot motora asi uz pretējo pusi. Uzmaniību! Griežiet uzgriezni zāga asmens rotācijas virzienā.
3. Noņemiet ārējo atloku un zāga asmeni (4).
4. Pirms jauna zāga asmens uzstādīšanas rūpīgi notīriet zāga asmens atlokus. Uzstādiat un pievelciet jauno zāga asmeni pretējā secībā.



Bulta, kas atzīmēta uz zāgripas, norāda rotācijas virzienu. Tai jābūt vērstai tajā pašā virzienā kā bultai, kas atzīmēta uz mašīnas, zāgripas zobiem zāga priekšpusē jābūt vērstiem uz leju.

- Pirms darba atsākšanas ar zāgi vispirms ir jāpārbauda aizsargierīču funkcionalitāte.
- Brīdinājums! Ikreiz, nomainot zāga asmeni, pārbaudiet, vai zāga asmens aizsargs (2) atveras un aizveras, kā paredzēts. Pārbaudiet arī to, vai zāga asmens (4) brīvi griežas zāga asmens aizsargā (2).
- Brīdinājums! Ikreiz, nomainot zāga asmeni, pārbaudiet, vai zāga asmens (4) var brīvi kustēties galda starplikā (6), kad ir vertikālā pozīcijā vai 45° slīpumā.

Piestiprināšana apakšstruktūrai

A. att.

Instrumenta rāmja montāžas caurumi (20) tiek izmantoti tam, lai instrumentu uzstādītu uz stingras, līdzenas pamatnes, piemēram, darbagalda. Attiecīgus stiprinājumus (skrūves utt.) var iegādāties specializētajos veikalos.

Putekļu savākšana

I. att.

Zāģis ir aprīkots ar putekļu savākšanas sistēmu.

- Ievietojiet putekļsūcēja adapteru (16) putekļu savākšanas atverē (25).
- Stingri ieteicams lietot tādu putekļu savākšanas sistēmu, kas piemērota apstrādājamajam materiālam.
- Regulāri pārbaudiet un iztīriet iesūkšanas kanālus.

Vaiļģo detaļu uzglabāšana

A., I. att.

Ja nelietojat bīdstieni (3), paralēlo ierobežotāju (7) un leņķa vadīklu (14), tos iespējams piestiprināt instrumentam. Bīdstieni (3) var uzglabāt instrumenta korpusā, kā norādīts A. attēlā. Leņķa vadīklu (14) var pieskrūvēt pie instrumenta korpusa ar spārnuzgriezni (36), kā norādīts I. attēlā.

4. EKSPLUATĀCIJA

Ieslēgšana/izslēgšana

A att.

- Lai ieslēgtu mašīnu, nospiediet slēdzi pozīcijā "1".
- Lai mašīnu izslēgtu, šo pašu slēdzi jānospiež pozīcijā "0".
- Vienmēr turiet tīkla kabeli pa gabalu nost no kustīgām daļām.

Paralēlais ierobežotājs

A., J., K. att.

Paralēlais ierobežotājs (7) ir jāizmanto, šķeļot koka detaļas.

- Piestipriniet paralēlo ierobežotāju (7) galda virsmai (1), izmantojot spriegošanas plātņi (26), paplāksnes (27) un kloķus (12): zāga galda ārpusē izmantojiet pozīcijas regulēšanas skrūvi (12) un paplāksni (27), zāga galda iekšpusē izmantojiet spriegošanas plātņi (26).

Lietošanas režīmi

Komplektācijā iekļautajam paralēlajam ierobežotājam (7) ir divas virsmas dažādos augstumos - pa vienai katrā pusē. Zemāko virsmu izmantojiet plakaniem apstrādājamajiem materiāliem, bet augstāko virsmu - augstiem apstrādājamajiem materiāliem.

1. Lai mainītu paralēlo ierobežotāja (7) augstumu, atveriet tā kloķus (12) un noņemiet ierobežotāju no galda.
2. Pagrieziet paralēlo ierobežotāju (7) par 180° tā, lai priekšgals būtu vērsts pret aizmuguri.
3. Vēlreiz pievelciet kloķus (12).

Zāģēšanas dziļums

Paralēlo ierobežotāju (7) var piestiprināt jebkurā galda virsmas (1) pusē.

1. Atskrūvējiet abus kloķus (12).
2. Paralēlo ierobežotāju (7) var noregulēt vajadzīgajā lielumā, izmantojot galda virsmā (1) iestrādāto lineālu (22).
3. Pievelciet abus kloķus (12), lai nofiksētu paralēlo ierobežotāju (7).
4. Ņemiet vērā ne vien skalas rādījumu, bet arī izmēriet zāģēšanas platumu starp zāga asmeni un paralēlo ierobežotāju. Lai pārbaudītu iestatītos izmērus, veiciet izmēģinājuma zāģējumu.

Leņķa vadīkla

L. att.

Leņķa vadīkla (14) ir jālieto, šķērszāģējot koka detaļas.

1. Piestipriniet leņķa vadīklas pagarinājumu (23) pie leņķa vadīklas (14), izmantojot leņķa vadīklas kloķus (24).
2. Iestumiet leņķa vadīklu (14) galda virsmas rievā (21).
3. Atbrīvojiet zāģēšanas leņķa kloķi (28).
4. Grieziet leņķa vadīklas pagarinājumu (23), līdz bultīņai ir vērsta pret vajadzīgo leņķi.
5. Vēlreiz pievelciet zāģēšanas leņķa kloķi (28).
6. Pārbaudiet attālumu starp leņķa vadīklas pagarinājumu (23) un zāģa asmeni (4).

Brīdinājums! Nespiediet leņķa vadīklas pagarinājumu (23) pārāk tālu pret zāģa asmeni. Attālumam starp leņķa vadīklas pagarinājumu (23) un zāģa asmeni (4) jābūt aptuveni 2 cm. Vajadzības gadījumā atbrīvojiet abus leņķa vadīklas kloķus (24) un noregulējiet leņķa vadīklas pagarinājumu (23). Pēc tam vēlreiz pievelciet leņķa vadīklas kloķus (24).

Leņķa regulēšana

A., I. att.

1. Atbrīvojiet priekšējo kloķi leņķa regulēšanai (8) un aizmugurējo kloķi leņķa regulēšanai (9).
2. Noregulējiet zāģa asmens leņķi, stumjot abus kloķus (8, 9), līdz rādītājs (13) sakrīt ar vajadzīgo leņķi skalā (10).
3. Pievelciet priekšējo kloķi leņķa regulēšanai (8) un aizmugurējo kloķi leņķa regulēšanai (9).

Darba instrukcijas

Pastāv divu veidu zāģēšanas metodes:

- Garenzāģēšana (K attēls)
Apstrādājamā materiāla zāģēšana koka šķiedru garenvirzienā
- Šķērszāģēšana vai nozāģēšana, izmantojot leņķzāģēšanas vadīklu (L attēls)
Apstrādājamā materiāla nozāģēšana šķērsvirzienā



Katrai zāģēšanas metodei izmanto vienu no vadotnēm. Nekad nezāģējiet bez vadotnes!

Uzmanību!

1. Vai zāģa asmens ir nofiksēts.
2. Vai nofiksēšanas rokturi ir stabili nofiksēti.
3. Vai vadotne ir novietota paralēli zāģa asmenim.
4. Vai aizsargājošā uzmava darbojas pareizi.
5. Vai jūs esat uzlicis aizsargbrilles.
6. Vai zāģa asmens ne pret ko neberžas.



Pirms darba sākšanas obligāti jāpārbauda viss iepriekš minētais.

Gareniskā zāģēšana

- Nostipriniet vadotni nepieciešamajā mērīšanas pozīcijā un noņemiet nozāģēšanas lineālu no pamatnes.
- Nedaudz piespiediet koku pret pamatni un ļaujiet tam slidēt pret nozāģēšanas līsti.



Turieties vismaz 3 cm attālumā no zāģa asmens priekšas pirms motora ieslēgšanas. Pret līsti novietotajai koka pusei jāatrodas pilnīgi taisni. Turiet rokas vismaz 10 cm attālumā no zāģēšanas ceļa.

- Izslēdziet motoru un nogaidiet līdz zāģa asmens ir saniedzis maksimālo rotāciju skaitu.
- Turot koku pret pamatni un līsti, uzmanīgi vadiet koku pret zāģa asmeni, nelietojot spēku.
- Nekad nevelciet koku pretēji zāģēšanas virzienam. Ja nepieciešams, izslēdziet motoru, nemainot zāģējamā materiāla pozīciju.

Gareniskā zāģēšana (vertikālā) leņķi.

Zāģē tāpat, tikai zāģa asmens ir novietots nepieciešamajā leņķī.



Zāģējot šādi, vadotne var atrasties tikai labajā zāģa asmens pusē.

Gareniskā zāģēšana šauriem koka gabaliem



Nemiet vērā, ka šis zāģēšanas veids ir ārkārtīgi bīstams.

levērojiet visus piesardzības pasākumus un nepārtraukti virziet koku cauri (līdz tas atrodas aiz zāģa asmens), izmantojot virzīšanas dēlīti nevis roku.

Šķērseniskā zāģēšana

- Noņemiet vadotni un novietojiet šķērseniskās zāģēšanas vadotni labās puses slīdrāmī.
- Noregulējiet augstumu attiecībā pret zāģa asmeni (sk. garenisko zāģēšanu).
- Vadiet koku gar šķērseniskās zāģēšanas vadotni, turot to vismaz 2,5 cm attālumā no zāģa asmens.
- Izslēdziet motoru un nogaidiet, līdz sasniegts maksimālais apgriezumu skaits.
- Vadiet koku gar zāģēšanas vadotni un pamatni. Uzmanīgi vadiet koku cauri zāģa asmenim. Turpiniet, līdz tas ir pārzāģēts aiz zāģa asmens. Izslēdziet motoru un turiet zāģējamo materiālu šai pozīcijā, līdz zāģis pārstājis darboties, pirms to noņemsiet.
- Nekad nevelciet zāģējamo materiālu atpakaļ. Ja nepieciešams, izslēdziet motoru un turiet zāģējamo materiālu šai pozīcijā, līdz zāģis pārstājis darboties, pirms to noņemsiet.

Šķērseniskā zāģēšana vertikālā leņķī.

Zāģē tāpat tikai zāģa asmens ir novietots nepieciešamajā leņķī.



Šķērseniskās zāģēšanas vadotni drīkst novietot tikai pa labi no zāģa asmens. Nekad nezāģējiet pārāk mazus koka gabalus. Neveiciet sarežģītas darbības ar rokām.

Šķērseniskā zāģēšana horizontālā leņķī.

Izmantojot šo metodi, šķērseniskās zāģēšanas vadotnei jābūt nofiksētai nepieciešamajā leņķī. Pirms zāģēšanas stingri piespiediet zāģējamo materiālu pret šķērseniskās zāģēšanas vadotni un pamatni.

5. APKOPE UN UZTURĒŠANA



Pārliedzinieties, lai instruments nedarbotos, kad veicat motora apkopi..

Šī mašīna ir izstrādāta, lai darbotos ilgāku laika periodu pie minimālas uzturēšanas. Patstāvīga apmierinoša darbība atkarīga no pienācīgas instrumenta apkopes un regulāras tīrīšanas.

APKĀRTĒJĀ VIDE

Lai novērstu bojājumus transportēšanas laikā, instruments tiek piegādāts stingrā iepakojumā, kas pārsvarā sastāv no atkārtoti lietojamiem materiāliem. Tādēļ, lūdzu, lietderīgi izmantojiet iepakojuma otrreizējās pārstrādes iespējas.



Bojātajiem un/vai izbrāķētajiem elektriskajiem vai elektroniskajiem aparātiem jābūt savāktiem attiecīgajās otrreizējās izejvielu pārstrādes vietās.

Tikai EK valstīm

Neatbrīvojieties no elektriskiem instrumentiem, izmetot tos mājturības atkritumos. Saskaņā ar Eiropas direktīvu 2012/19/EU par elektrisko un elektronisko iekārtu atkritumiem un tās piemērošanu nacionālajās tiesībās, elektriskos instrumentus, kuri vairs nav izmantojami, ir jāsavāc atsevišķi un no tiem jāatbrīvojas videi draudzīgā veidā.

GARANTIJA

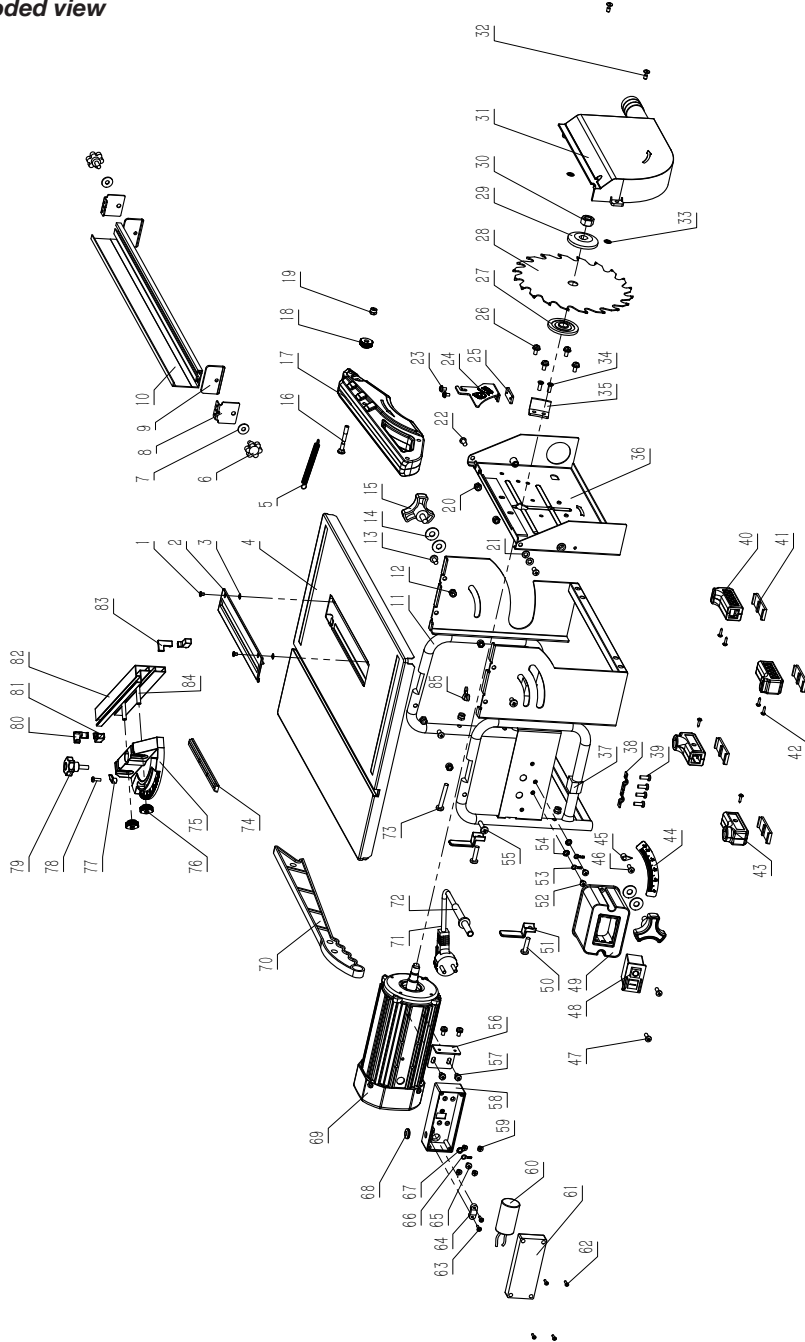
Garantijas nosacījumus var atrast atsevišķi pievienotā garantijas kartē.

Izstrādājums un lietotāja rokasgrāmata var mainīties. Tehniskos datus var mainīt bez iepriekšēja brīdinājuma.

Spare parts list**TSM1036**

Article no.	Description	Position no.
481681	Table insert	2
481682	Parallel guide complete	6..10
481683	Guard	16..19
481684	Riving knife	23 24
481685	Flange set	27 29
481686	Sawblade nut	30
481687	Switch	48
481688	Capacitor	60
481689	Mitre guide complete	74..84

Exploded view





DECLARATION OF CONFORMITY TSM1036 - TABLE SAW

- (EN) We declare under our sole responsibility that this product is in conformity with directive 2011/65/EU of the European parliament and of the council of 8 June on the restriction of the use of certain hazardous substances in electrical and electronic equipment is in conformity and accordance with the following standards and regulations:
- (DE) Der Hersteller erklärt eigenverantwortlich, dass dieses Produkt der Direktive 2011/65/EU des Europäischen Parlaments und des Rats vom 8. Juni 2011 über die Einschränkung der Anwendung von bestimmten gefährlichen Stoffen in elektrischen und elektronischen Geräten entspricht. den folgenden Standards und Vorschriften entspricht.
- (NL) Wij verklaren onder onze volledige verantwoordelijkheid dat dit product voldoet aan de conform Richtlijn 2011/65/EU van het Europees Parlement en de Raad van 8 juni 2011 betreffende beperking van het gebruik van bepaalde gevaarlijke stoffen in elektrische en elektronische apparatuur en in overeenstemming is met de volgende standaarden en reguleringen.
- (FR) Nous déclarons sous notre seule responsabilité que ce produit est conforme aux standards et directives suivants: est conforme à la Directive 2011/65/UE du Parlement Européen et du Conseil du 8 juin 2011 concernant la limitation d'usage de certaines substances dangereuses dans l'équipement électrique et électronique.
- (ES) Declaramos bajo nuestra exclusiva responsabilidad que este producto cumple con las siguientes normas y estándares de funcionamiento: se encuentra conforme con la Directiva 2011/65/UE del Parlamento Europeo y del Consejo de 8 de junio de 2011 sobre la restricción del uso de determinadas sustancias peligrosas en los equipos eléctricos y electrónicos.
- (PT) Declaramos por nossa total responsabilidade-de que este produto está em conformidade e cumpre as normas e regulamentações que se seguem: está em conformidade com a Directiva 2011/65/UE do Parlamento Europeu e com o Conselho de 8 de Junho de 2011 no que respeita à restrição de utilização de determinadas substâncias perigosas existentes em equipamento eléctrico e electrónico.
- (IT) Dichiariamo, sotto la nostra responsabilità, che questo prodotto è conforme alle normative e ai regolamenti seguenti: è conforme alla Direttiva 2011/65/UE del Parlamento Europeo e del Consiglio dell'8 giugno 2011 sulla limitazione dell'uso di determinate sostanze pericolose nelle apparecchiature elettriche ed elettroniche.
- (SV) Vi garanterar på eget ansvar att denna produkt uppfyller och följer följande standarder och bestämmelser: uppfyller direktiv 2011/65/EU från Europeiska parlamentet och EG-rådet från den 8 juni 2011 om begränsningen av användning av farliga substanser i elektrisk och elektronisk utrustning.
- (FI) Vakuutamme yksinomaan omalla vastuullamme, että tämä tuote täyttää seuraavat standardit ja säädökset: täyttää Euroopan parlamentin ja neuvoston 8. kesäkuuta 2011 päivätyn direktiivin 2011/65/EU vaatimukset koskien vaarallisten aineiden käytön rajoitusta sähkö- ja elektronisissa laitteissa.
- (NO) Vi erklærer under vårt eget ansvar at dette produktet er i samsvar med følgende standarder og regler: er i samsvar med EU-direktivet 2011/65/EU fra Europa-parlamentet og Europa-rådet, pr. 8 juni 2011, om begrensning i bruken av visse farlige stoffer i elektrisk og elektronisk utstyr.
- (DA) Vi erklærer under eget ansvar, at dette produkt er i overensstemmelse med følgende standarder og bestemmelser: er i overensstemmelse med direktiv 2011/65/EU fra Europa-Parlamentet og Rådet af 8. juni 2011 om begrænsning af anvendelsen af visse farlige stoffer i elektrisk og elektronisk udstyr.
- (HU) Felelősségünk teljes tudatában kijelentjük, hogy ez a termék teljes mértékben megfelel az alábbi szabványoknak és előírásoknak: je v souladu se směrnici 2011/65/EU Evropského parlamentu a Rady EU ze dne 8. června 2011, která se týká omezení použití určitých nebezpečných látek v elektrických a elektronických zařízeních.
- (CS) Na naši vlastní zodpovědnost prohlašujeme, že je tento výrobek v souladu s následujícími standardy a normami: Je v souladu s normou 2011/65/EU Evropského parlamentu a Rady z 8. júna 2011 týkajúcej sa obmedzenia používania určitých nebezpečných látok v elektrickom a elektronickom vybavení.
- (SK) Vyhlasujeme na našu výhradnú zodpovednosť, že tento výrobok je v zhode a súlade s nasledujúcimi normami a predpismi: Je v súlade s normou 2011/65/UE Európskeho parlamentu a Rady z 8. júna 2011 týkajúcej sa obmedzenia používania určitých nebezpečných látok v elektrickom a elektronickom vybavení.
- (SL) S polno odgovornostjo izjavljamo, da je ta izdelek v skladu in da odgovarja naslednjim standardom terpredpisom: je v skladu z direktivo 2011/65/EU Evropskega parlamenta in Sveta z dne 8. junij 2011 o omejevanju uporabe določenih nevarnih snovi v električni in elektronski opremi.
- (PL) Deklarujemy na własną odpowiedzialność, że ten produkt spełnia wymogi zawarte w następujących normach i przepisach: jest zgodny z Dyrektywą 2011/65/UE Parlamentu Europejskiego i Rady z dnia 8 czerwca 2011 r. w sprawie ograniczenia stosowania niektórych niebezpiecznych substancji w sprzęcie elektrycznym i elektronicznym.
- (LT) Prisimdami visa atsakomybę deklaruojame, kad šis gaminyš atitinka žemiau paminėtų standartus arba nuostatus: atitinka 2011 m. birželio 8 d. Europos Parlamento ir Tarybos direktyvą 2011/65/EB dėl tam tikrų pavojingų medžiagų naudojimo elektros ir elektroninėje įrangoje apribojimo.
- (LV) Ir atbilstoša Eiropas Parlamenta un Padomes 2011. gada 8. jūnija Direktīvai 2011/65/ES par dažu bīstamu vielu izmantošanas ierobežošanu elektriskās un elektroniskās iekārtās.
- (ET) Aggalvojom ar visu atbildulu, ka šis produktis ir saskaņā un atbilst sekojošiem standartiem un nolikumiem: ir atbilstoša Eiropas Parlamenta un Padomes 2011. gada 8. jūnija Direktīvai 2011/65/ES par dažu bīstamu vielu izmantošanas ierobežošanu elektriskās un elektroniskās iekārtās.
- (RO) Declaram prin aceasta cu raspunderea deplina ca produsul acesta este in conformitate cu urmatoarele standarde sau directive: este in conformitate cu Directiva 2011/65/UE a Parlamentului European si a Consiliului din 8 iunie 2011 cu privire la interzicerea utilizării anumitor substanțe periculoase la echipamentele electrice și electronice.
- (HR) Izjavljamo pod vlastitom odgovornošću da je strojem ukladan sa slijedećim standardima ili standardiziranim dokumentima i u skladu sa odredbama: usklađeno sa Direktivom 2011/65/EU europskog parlamenta i vijeća izdanom 8. lipnja 2011. o ograničenju korištenja određenih opasnih tvari i električnoj i elektroničkoj opremi.
- (SRL) Pod punom odgovornošću izjavljamo da je usaglašen sa sledećim standardima ili normama: usaglašen sa direktivom 2011/65/EU Evropskog parlamenta i Saveta od 8.juna.2011. godine za restrikciju upotrebe određenih opasnih materija u električnoj i elektroničkoj opremi.
- (RU) Под свою ответственность заявляем, что данное изделие соответствует следующему стандарту и нормам: соответствует требованиям Директивы 2011/65/ЕU Европейского парламента и совета от 8 июня 2011 г. по ограничению использования определенных опасных веществ в элктрическом и электронном оборудовании
- (UK) На свою власну відповідальність заявляємо, що дане обладнання відповідає наступним стандартам і нормативам: задовольняє вимоги Директиви 2011/65/ЄС Європейського Парламенту та Ради від 8 червня 2011 року на обмеження використання деяких небезпечних речовин в електричному та електронному обладнанні.
- (EL) Δηλώνουμε υπεύθυνα ότι το προϊόν αυτό συμφύωνει και τήρει τους παρακάτω κανονισμούς και πρότυπα: συμφύωνεται με την Οδηγία 2011/65/ΕΕ του Ευρωπαϊκού Κοινοβουλίου και του Συμβουλίου της 8ης Ιουνίου 2011 για τον περιορισμό της χρήσης ορισμένων επικίνδυνων ουσιών σε ηλεκτρικό και ηλεκτρονικό εξοπλισμό.

**EN62841-1, EN62841-3-1, EN55014-1, EN55014-2,
EN61000-3-2, EN61000-3-3, IEC 62321**

2006/42/EC, 2014/30/EU, 2011/65/EU, 2012/19/EU

Zwolle, 01-01-2021

H.G.F Rosberg
CEO FERM

FERM - Lingenstraat 6 - 8028 PM - Zwolle - The Netherlands

