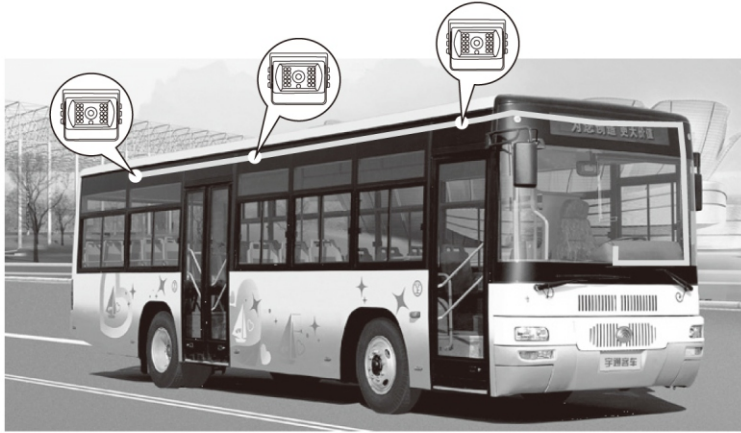


Examples for installation



Monitor system use in truck ,bus,express car ,special vehicle

9" TFT LCD COLOR MONITOR



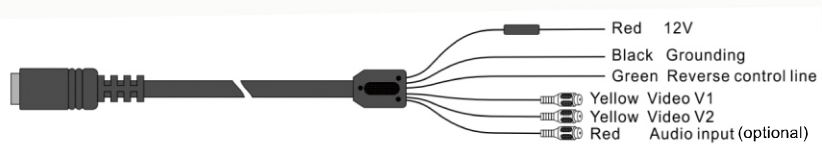
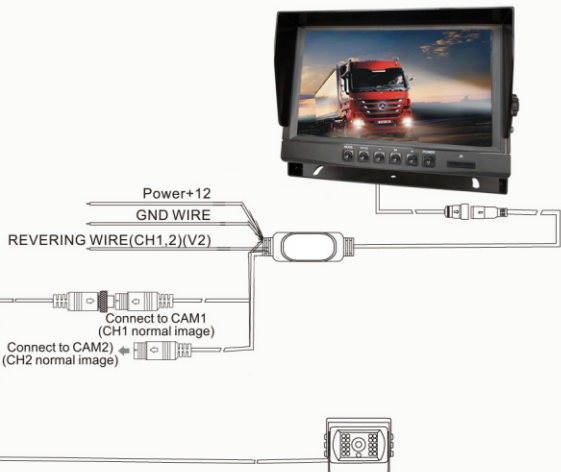
Before operating the monitor, please read this manual thoroughly and retain it for further reference.

9" AHD/CVBS MONITOR



1. Mode" Display effect selection
2. V1/V2: Video1(Camera1:AHD1/CVBS1)/Video2 (Camera2:AHD2/CVBS2) Switch
3. "-": Decrease button to decrease brightness, contrast, color, etc
4. "Menu": Setting the display performance
5. "+" Increase button to increase brightness, contrast, color, etc
6. "Power": ON/OFF
7. IR: Remote control position

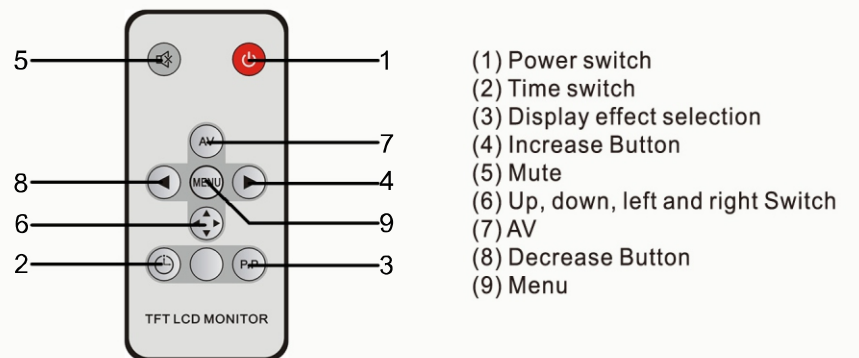
CONNECTION



SPECIFICATIONS:

- Display size: 9"
- Display format: 16:9/4:3
- System: NTSC/PAL
- Power supply: DC 9V-36V
- Power: ≤ 3W
- Resolution: 800*R.G.B*480/1024*R.G.B*600
- Two ways: AHD/CVBS input
- Car reversing function, automatic image switch to V2
- Remote control full function, OSD menu
- Brightness: 450cd/m2
- Built in speaker function (optional)
- Contrast, color and brightness adjustable
- Varying languages display

REMOTE CONTROL:



- (1) Referring to the above figure, pull out the battery compartment, insert the battery (CR2025), then push back the battery compartment
- (2) When using the remote controller, it should be directly aimed at the reception window, no obstacles shall be placed between the reception window and the remote controller
- (3) The working life of the battery is about one year, when the remote controller can not work properly, please replace the battery.
- (4) Take out the battery in case of non-use remote controller

LCD COLOR MONITOR OPERATING INSTRUCTIONS

1. Monitor Standard Installation

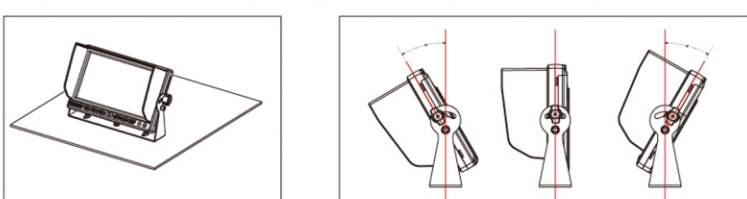
1. Remove the screw around then take out the monitor. Put U type bracket to the right place and adjust, prepare 3 screws. (see below pictures)



2. Locking the bracket by screws. Put the monitor into bracket, adjust angle and locking it. (see below pictures)

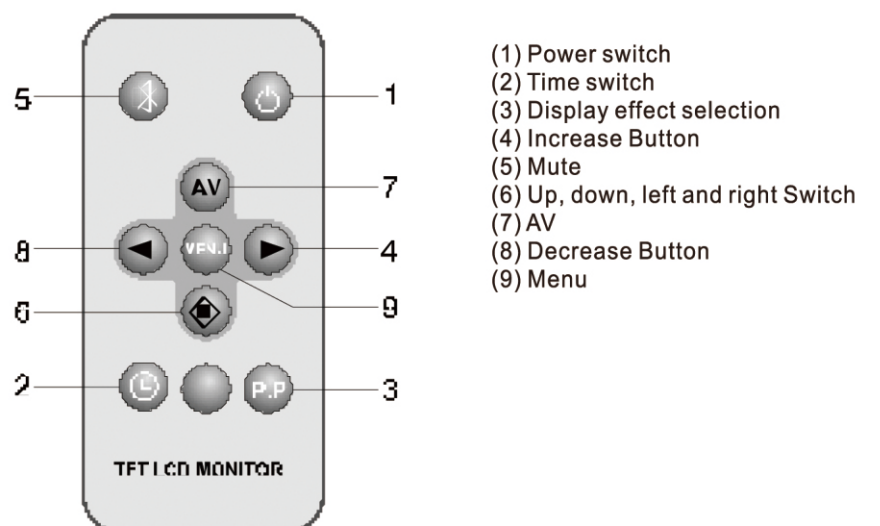


3. Finish installation. The adjustable angel is forward 30° and backward 30° User can adjust a suitable angle by themselves. (see below pictures)



LCD COLOR MONITOR OPERATING INSTRUCTIONS

2. Remote controller



Replace the battery of Remote Controller

