

# FLEXIBLE SHAFT

## maintenance package

After a wet tube cleaning of (for example) a chiller, some left over water will always remain inside the blue casing. If this water is not removed, it will cause corrosion and oxidation inside the shaft. This ultimately leads to shafts which cannot be used for the next job and/or have a significantly reduced total lifetime. It is therefore important to properly maintain the shafts after cleaning.



This maintenance kit can be used for any blue Goodway flexible shaft.

### Contents of the maintenance package



GSL-705 tool

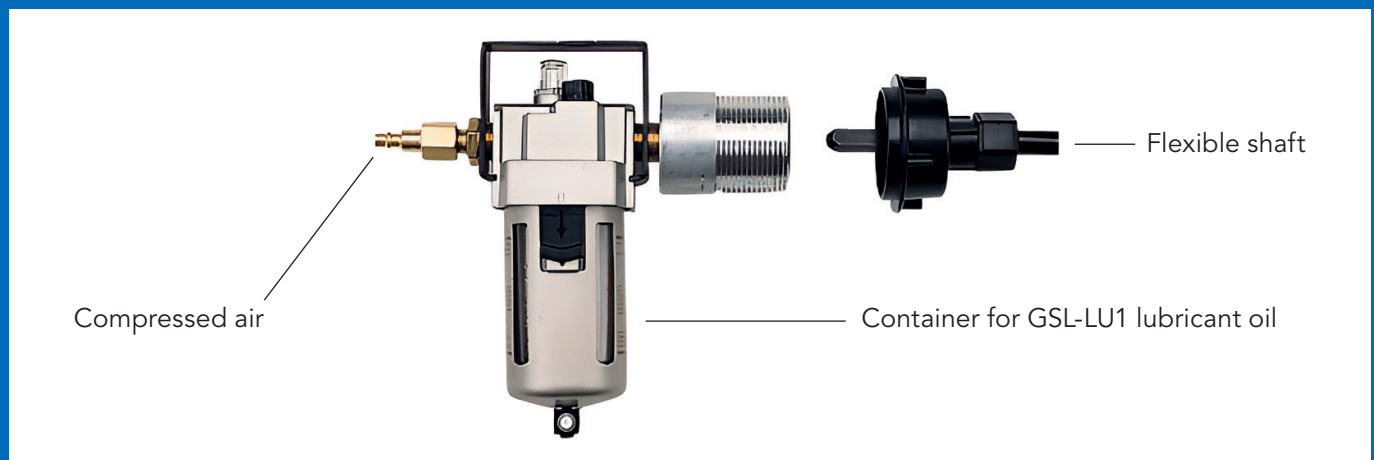


GSL-LU1 lubricant



### 7-steps to maintain Goodway flexible shafts

The blue flexible shaft is connected by threading to the GSL-705 tool, an air-pressure line is connected to the other side which pushes out the water inside the shaft casing. Fill the container with GSL-LU1 oil and adjust the correct the drip rate on the topside of the tool.



- 1 Connect the GSL-705 tool to the blue Goodway flexible shaft.
- 2 Fill the container with GSL-LU1 lubricant oil.
- 3 Connect a compressed air line with a max. pressure of 10 BAR.
- 4 After connecting the air line, the flushing process will immediately start.
- 5 The flow of air and lubricant displaces water and coats the shaft core to protect it from harmful rust and corrosion.
- 6 The lubricant flushes out with water when the shaft is used again, make sure to do this outside of the tube.
- 7 Repeat this process after every wet tube cleaning before the shaft is put into storage.

### Specifications maintenance kit

Keeping your Goodway flexible shaft well lubricated after use is critical to its long-term storage. The Goodway shaft maintenance package allows for fast, easy protection of flexible shafts in between uses and increases lifetime.

- Remove leftover water residue
- Increase flexible shaft lifetime
- Very easy and quick process
- Lubricant is easily flushed out
- Affordable maintenance kit
- Used by almost all Goodway customers

#### Maintenance kit in use

Check out this video which shows how to use the kit. →

