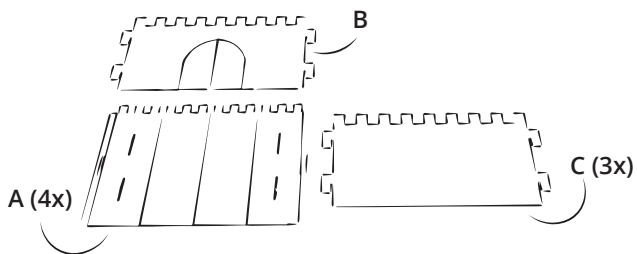
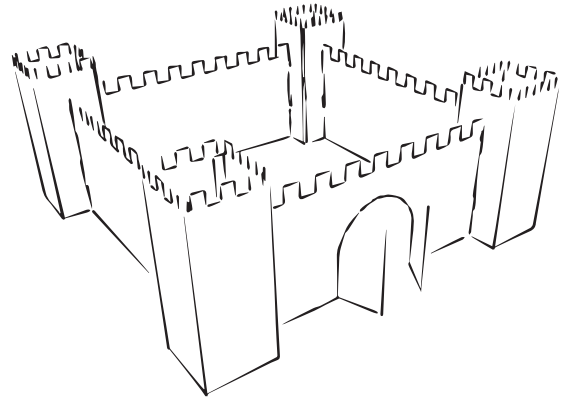


PLAYING FORTRESS

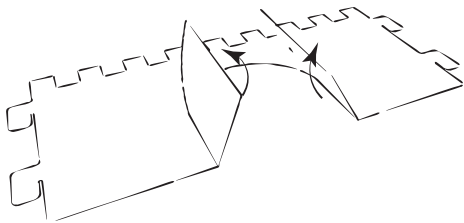
WHAT'S IN THE BOX?

- 4x Tower A
- 1x Wall with door B
- 3x Wall C

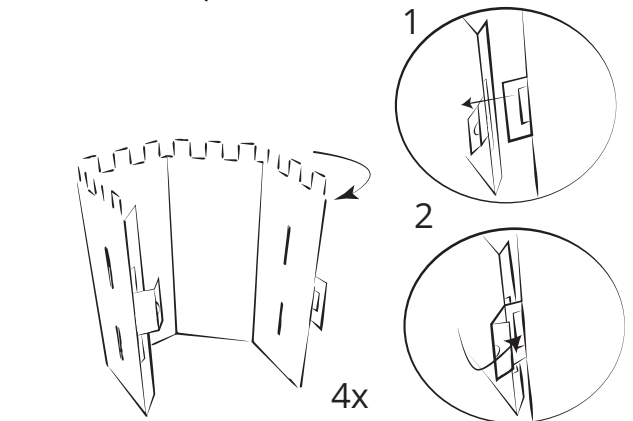
CAUTION! Fold towards the folding lines



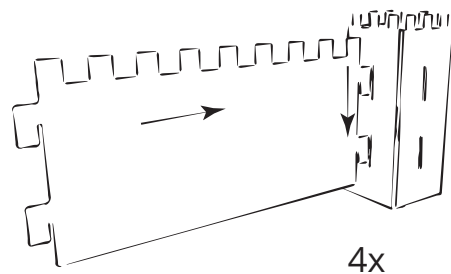
1. Check if you have all the components.



3. Fold from component B the doors outside.



2. Fold component A into a square and secure as indicated.



4. Secure the wall to the towers by hooking component C into component A. Repeat this for every tower and your fortress is complete!