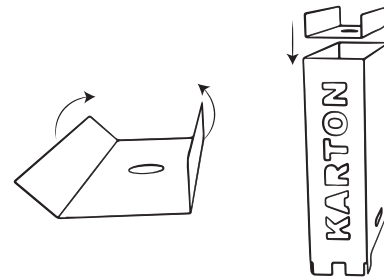
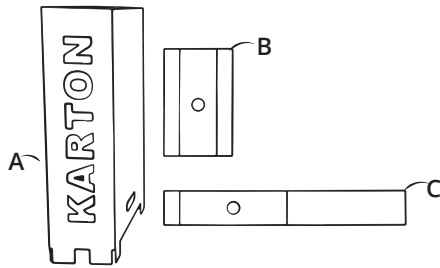


CARDBOARD WASTEPAPER BASKET

WHAT'S IN THE BOX?

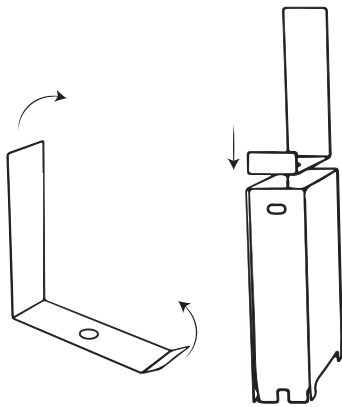
- 1x Main bin A
- 1x Bottom B
- 1x Scoop C

Caution! Fold towards the folding lines.



1. Check if you have all parts.

4. Fold the sides of bottom B upwards and place bottom B in main bin A, as shown in the picture.



5. Fold the sides of scoop C up and place side C on bottom B as shown in the picture. The cardboard wastepaper basket is ready!