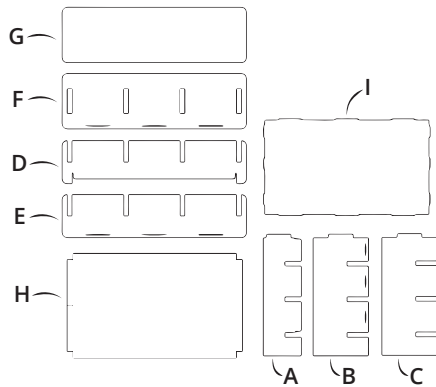
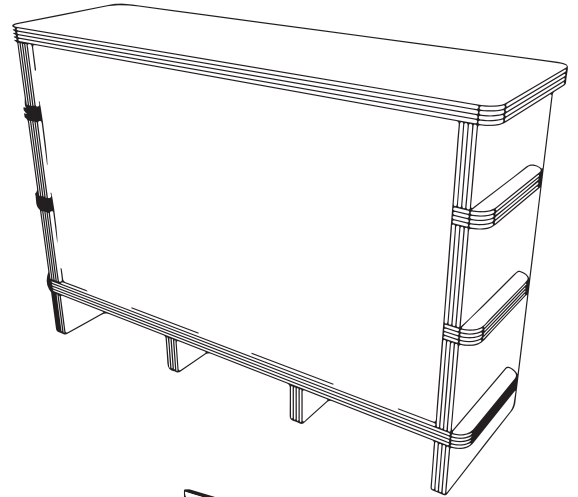


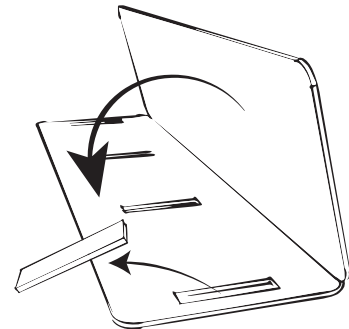
# COUNTER

**WHAT'S IN THE BOX?**

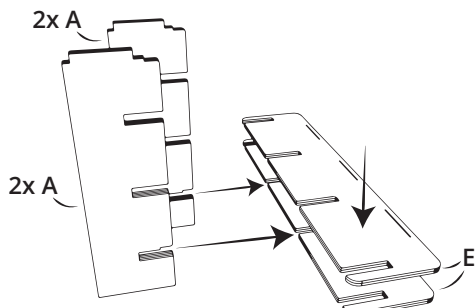
<b>4x</b> Inner wall A	Optional:
<b>2x</b> Outer wall B	<b>1x</b> Printed display I
<b>2x</b> Outer wall C	
<b>4x</b> Shelf D	
<b>2x</b> Lower shelf E	
<b>1x</b> Table top F	
<b>1x</b> Table top G	
<b>1x</b> Front panel H	



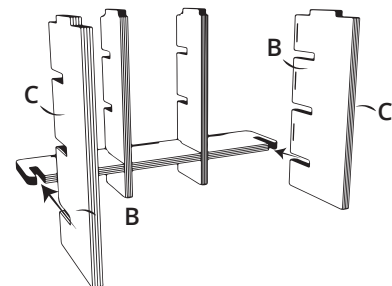
1. Make sure that you have all the parts.



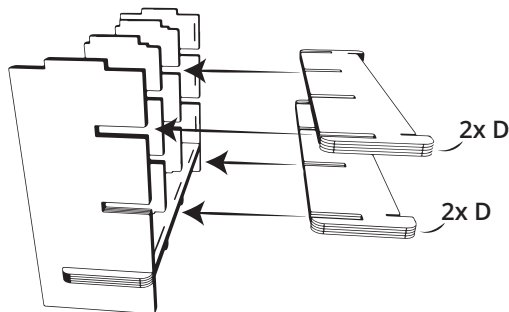
2. Check if all parts (except H and I) are already folded in half and that any loose cardboard has been removed. If not, do so.



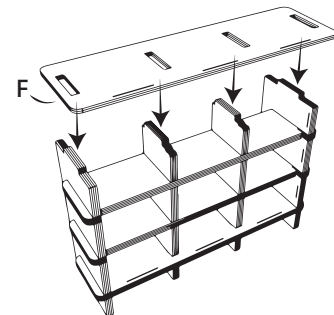
3. Place the lower shelves E on top of each other and slide the inner walls A into the middle two incisions of E.



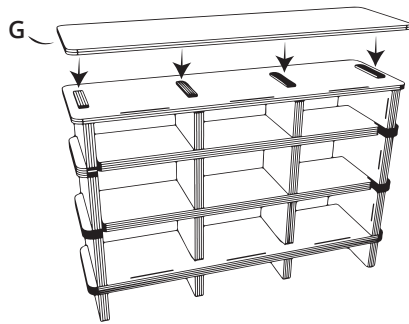
4. Now slide the outer walls B and C into part E. Make sure that wall B (with slots) is on the inside and wall C (without slots) is on the outside.



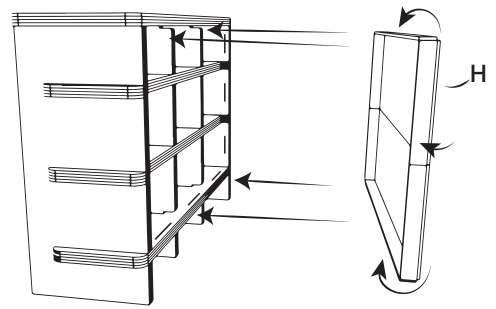
5. Then slide the planks D into the walls.



6. Now place the tabletop F on top of the walls. Make sure that the slots for the printed display are at the front.

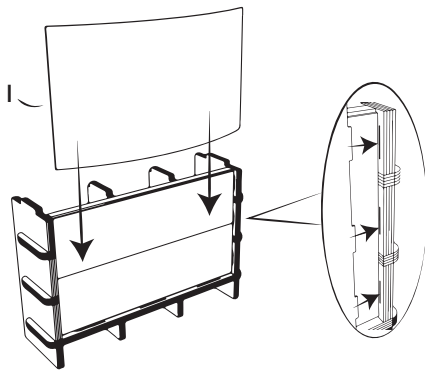


7. Now place tabletop G on top of tabletop F.

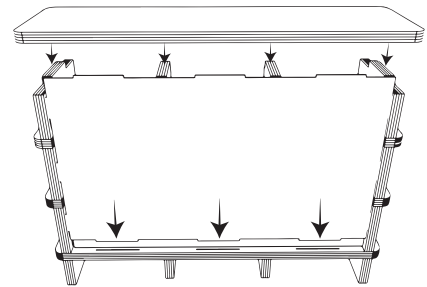


8. Fold over the edges of the front panel H and slide the part into the incisions at the front.

### OPTIONAL STEPS:



9. Remove the tabletop. Carefully bend the printed display I to get the recesses in the outer walls.



10. Now also make sure that the recesses at the bottom fall into the bottom shelf. Put the tabletop back on. The counter is then finished!