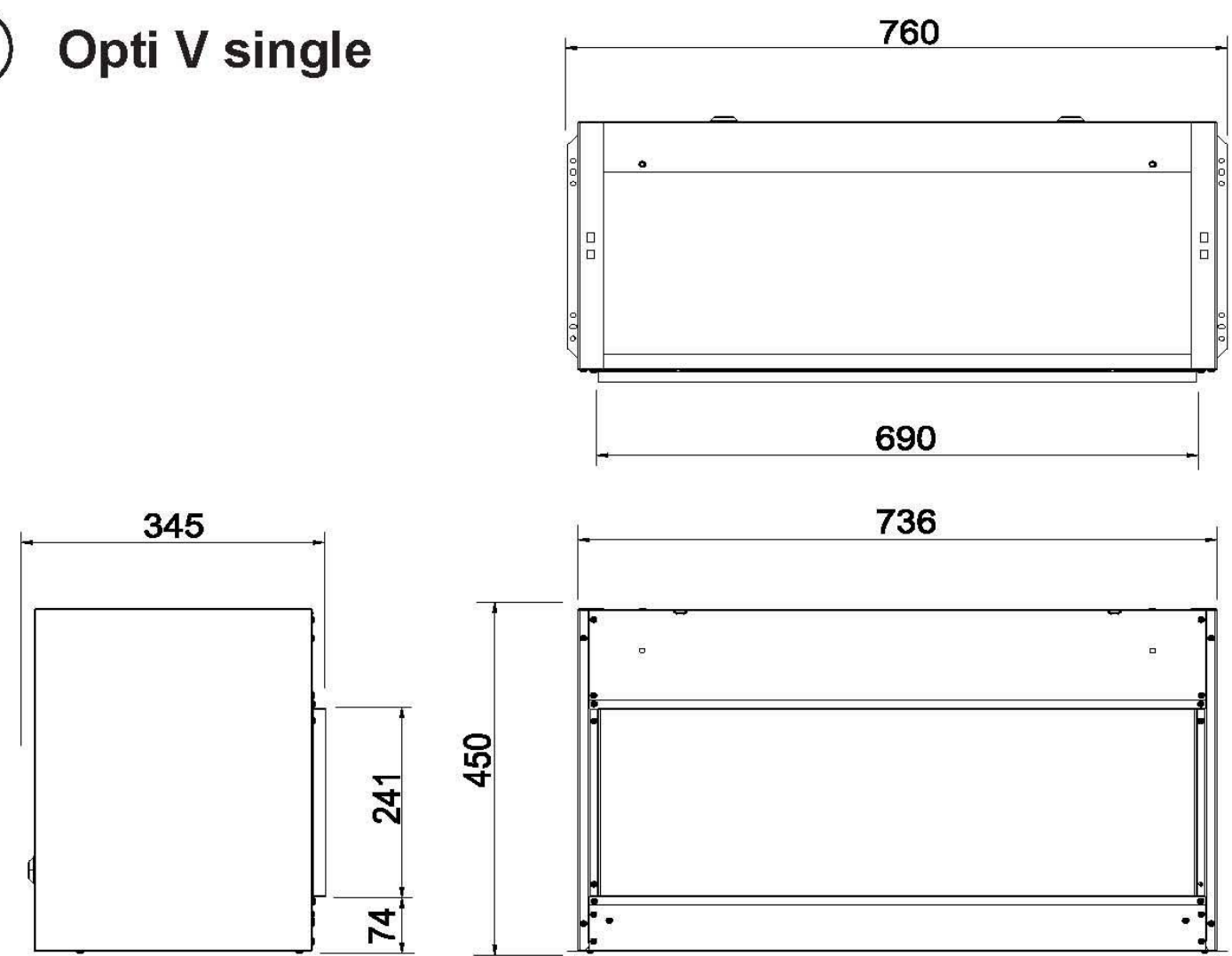
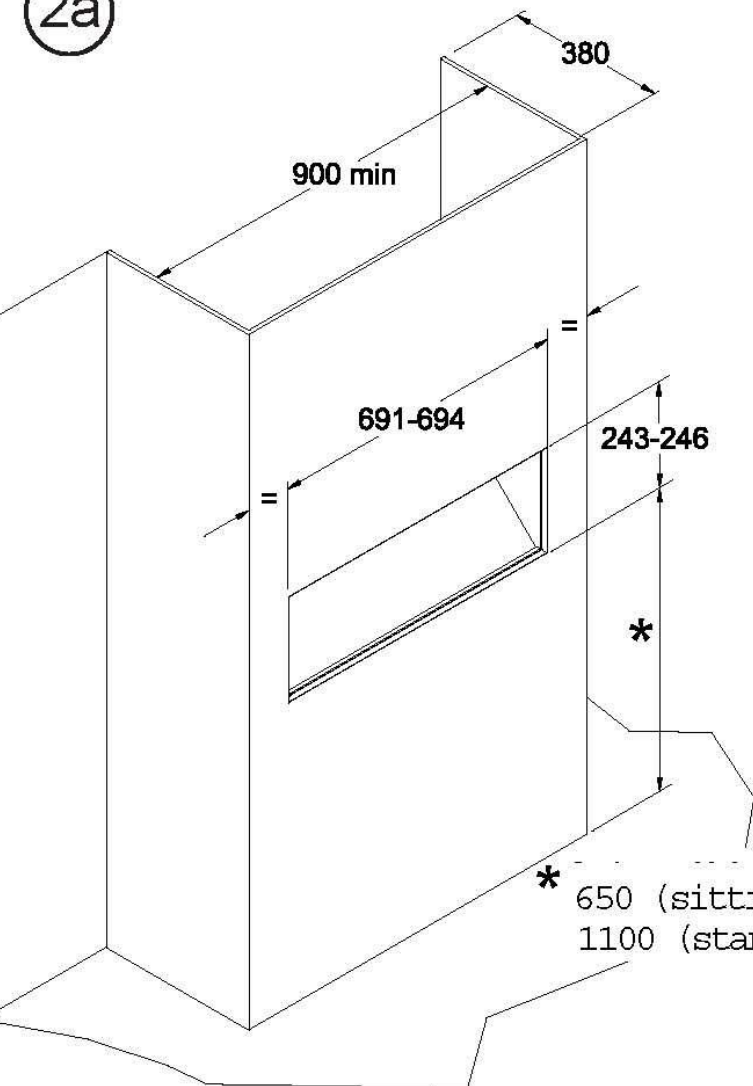


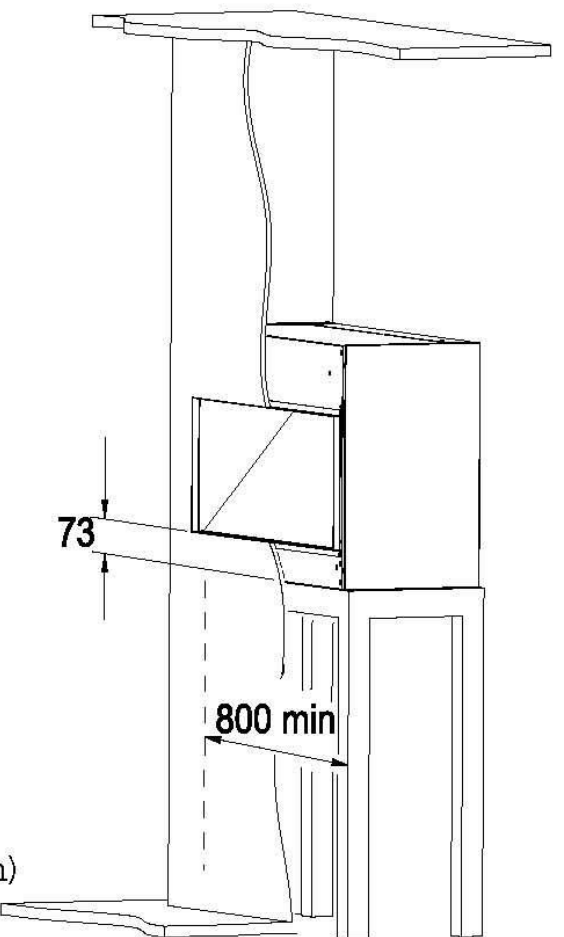
1 Opti V single



2a



2b



\* 650 (sitting position)  
1100 (standing position)