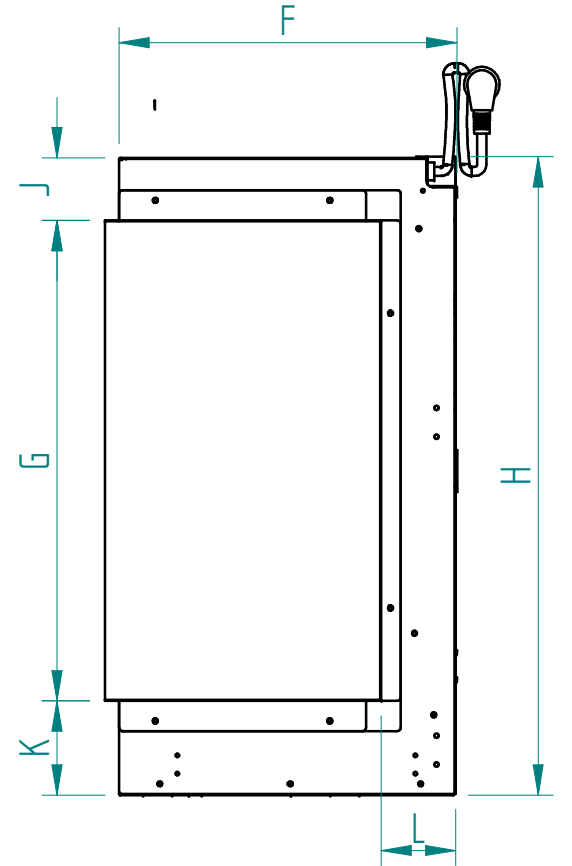
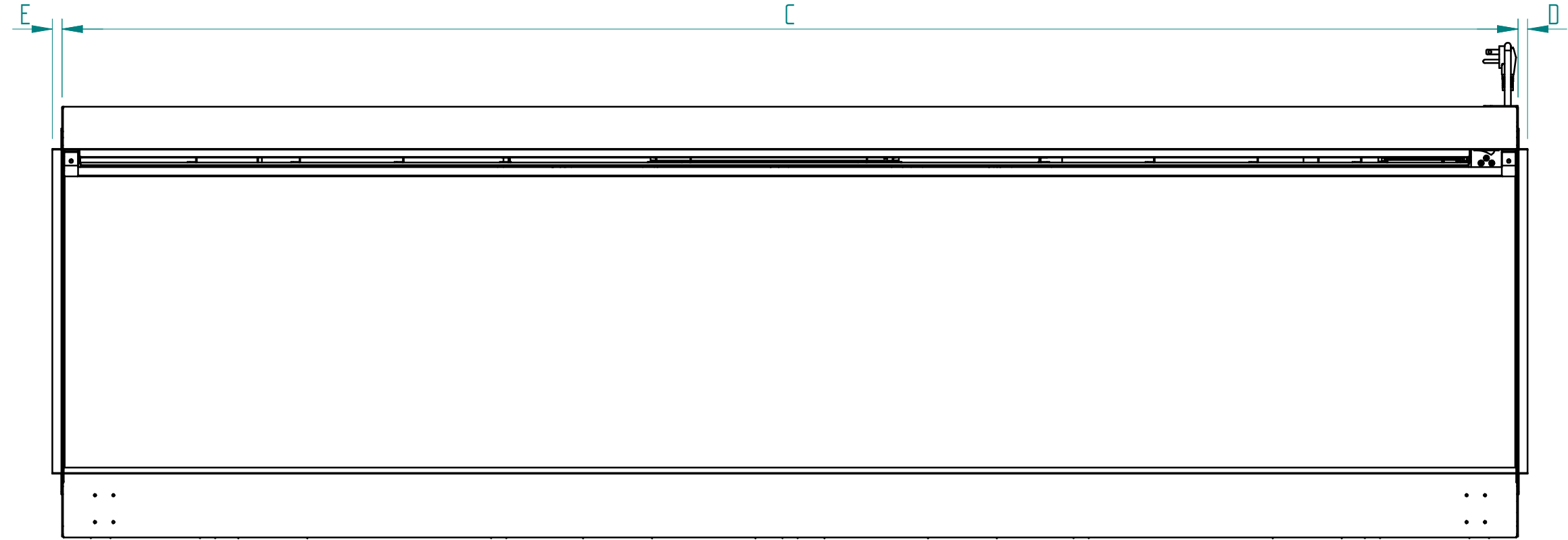
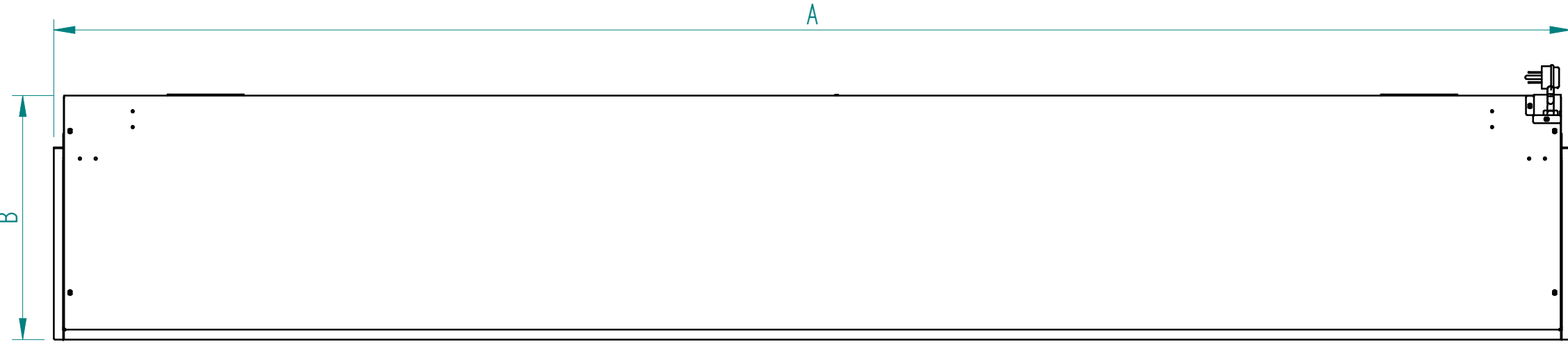
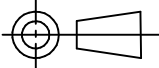


- A - 1925
- B - 310
- C - 1900
- D - 12.5
- E - 12.5
- F - 298
- G - 424
- H - 563
- J - 55
- K - 83
- L - 66



D  
C  
B  
A



ALL DIMS IN MM  
DO NOT SCALE

ALL COMPONENTS TO BE FREE FROM SILICONE CONTAMINATION AND BURRS.  
TOLERANCES +/- 0.25 UNLESS OTHERWISE STATED. ORIGINAL PAGE SIZE A3

ALL INFORMATION REMAINS THE PROPERTY OF FOCAL POINT FIRES PLC.  
THE COPYING AND DISSEMINATION TO ANY OTHER PARTIES IS NOT PERMITTED WITHOUT EXPRESS PERMISSION OF THE ABOVE.



FIRST ISSUE		07/04/22	A
LOC.	CHANGE & ACTIONED BY	DATE	ISS.
USED ON	EF40-75	DRWN:	
SCALE: NTS	MATL: N/A	PeterD	
DATE: 03/02/2022	FIN: N/A	CHKD:	
PART No: F500732		ISS	
DESC: NEW FOREST 1900		A	

1

2

3

4