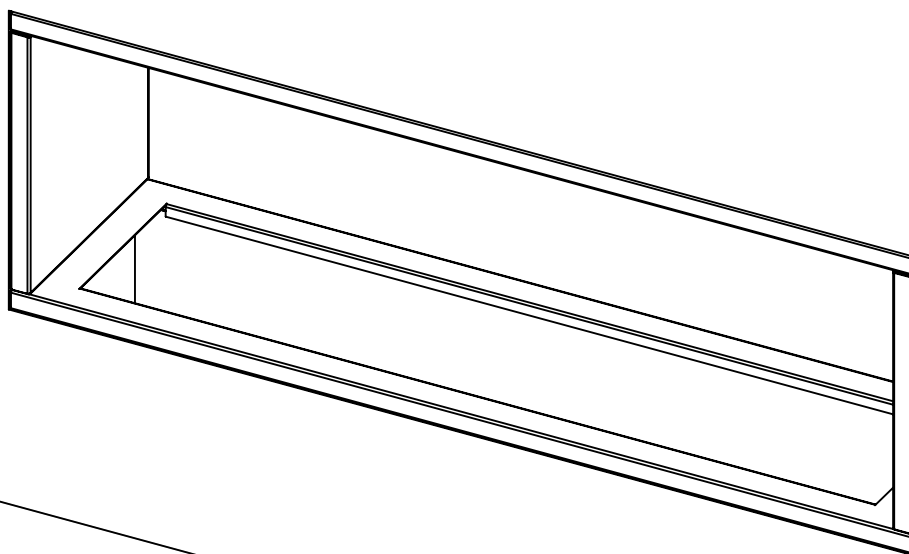
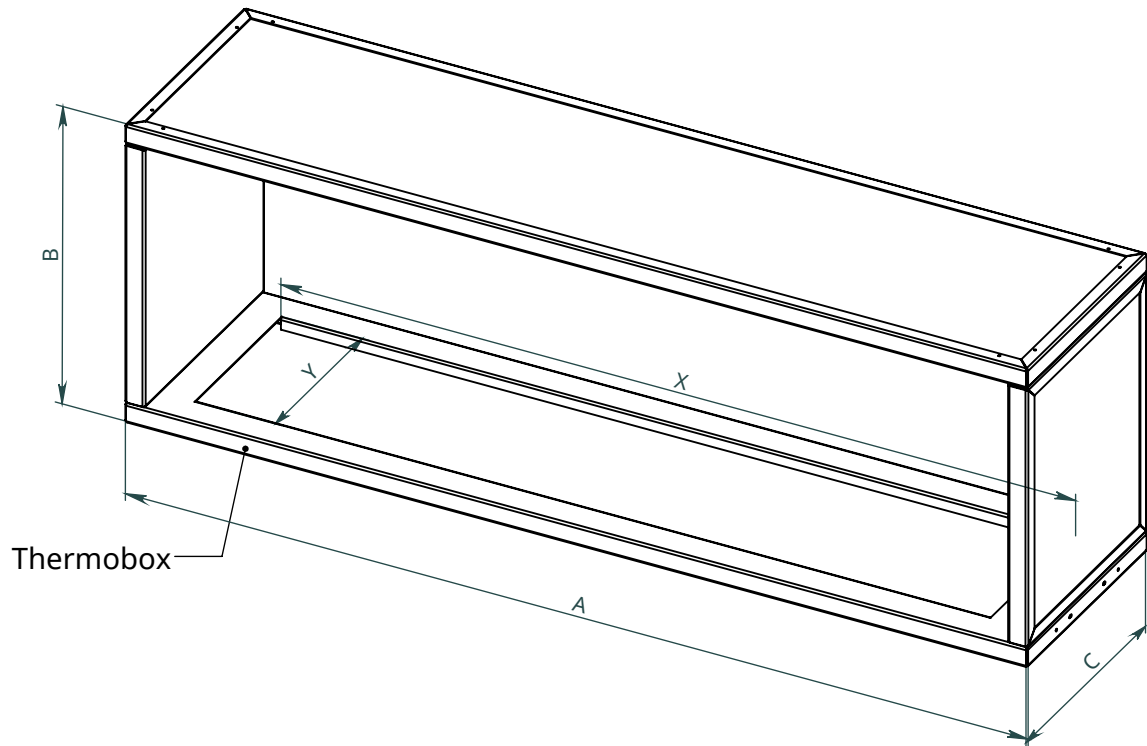


x
neverdark

Thermobox See-Through Standard Installation (TST)

for fireplaces Automatic, Firetec
Installation instructions





	Thermobox			Fireplace	
	A	B	C	X	Y
Model	Length of the thermobox	Height of the thermobox	Depth of the thermobox	Burner length	Width of the fireplace
TST-800	800	460	340	700	250
TST-900	900			800	
TST-1100	1100			1000	
TST-1300	1300			1200	
TST-1600	1600			1500	
TST-2200	2200			2000	
TST-2700	2700			2500	

Thermobox with options

Available options:

F - Frame (outer decorative metal frame)

C - Canopy

LGB - Long glass border

