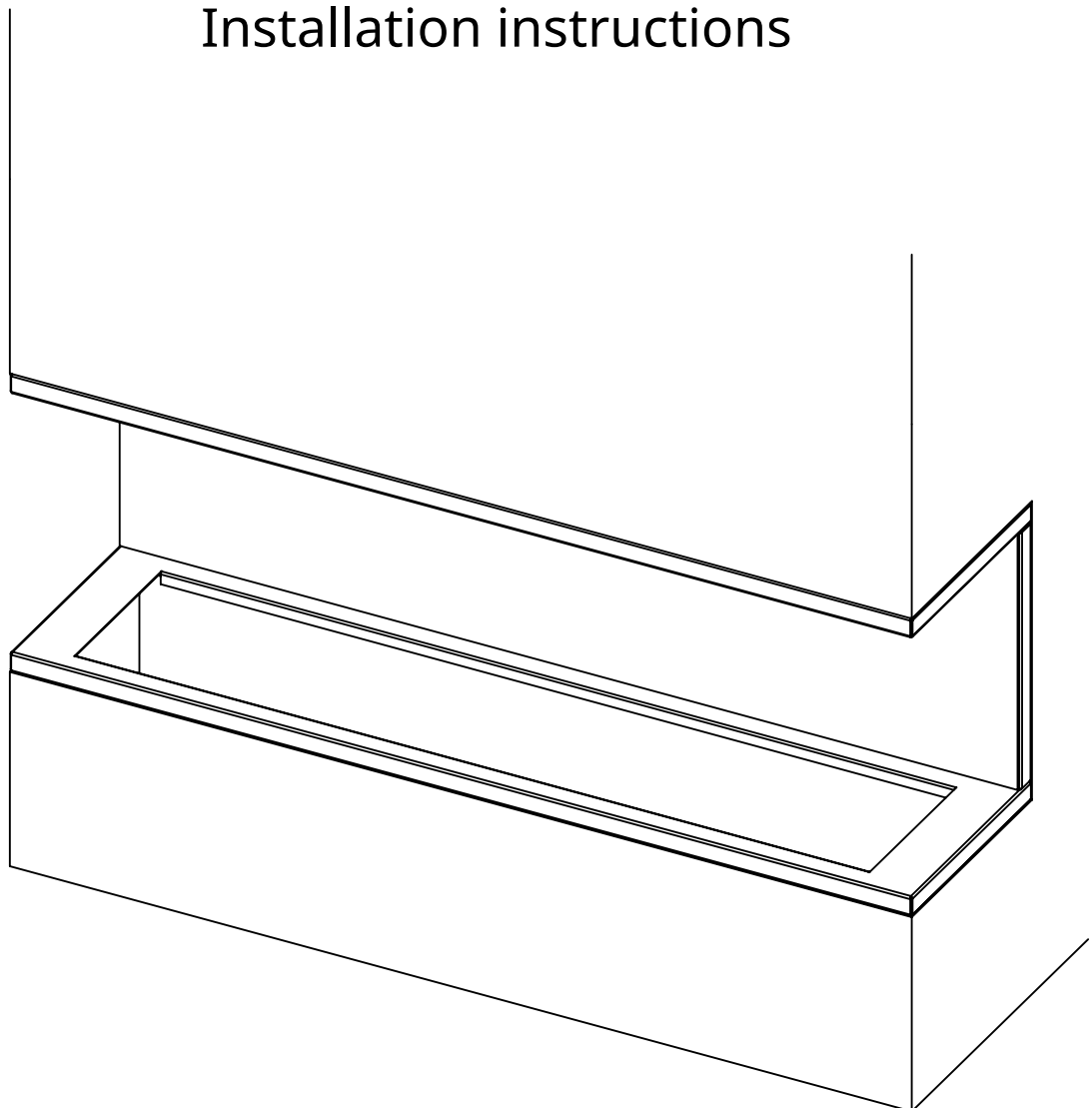
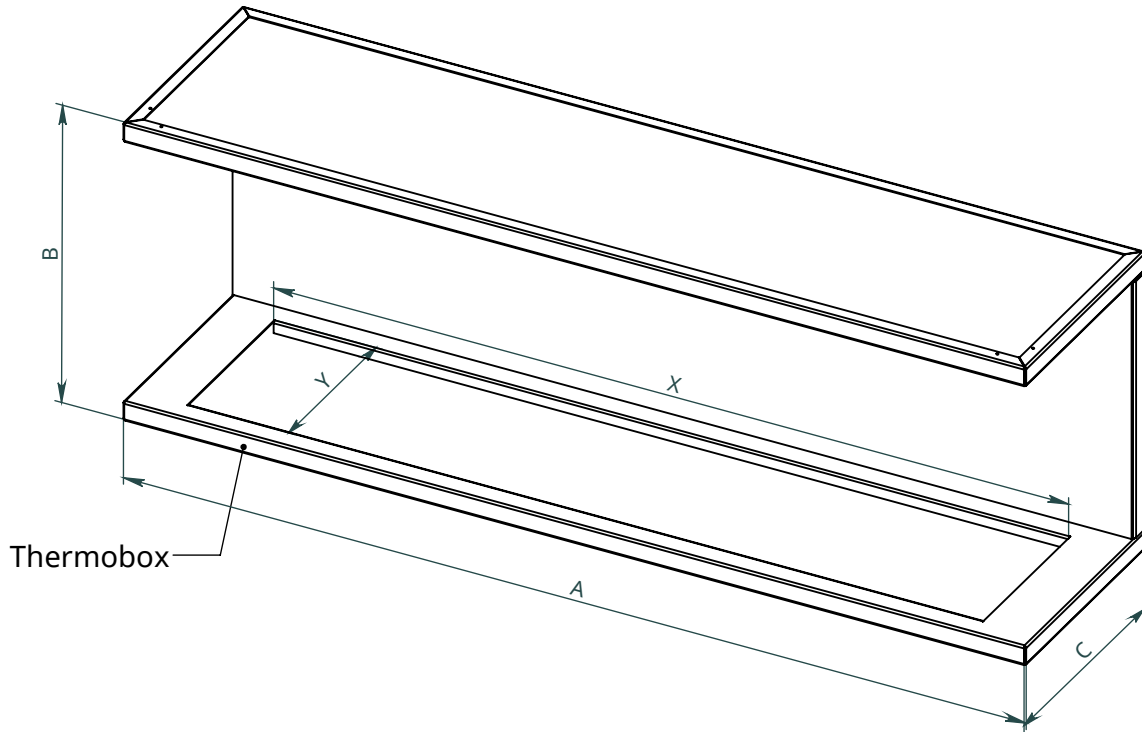


x
neverdark

Thermobox Three-Sided Standard Installation (TTS)

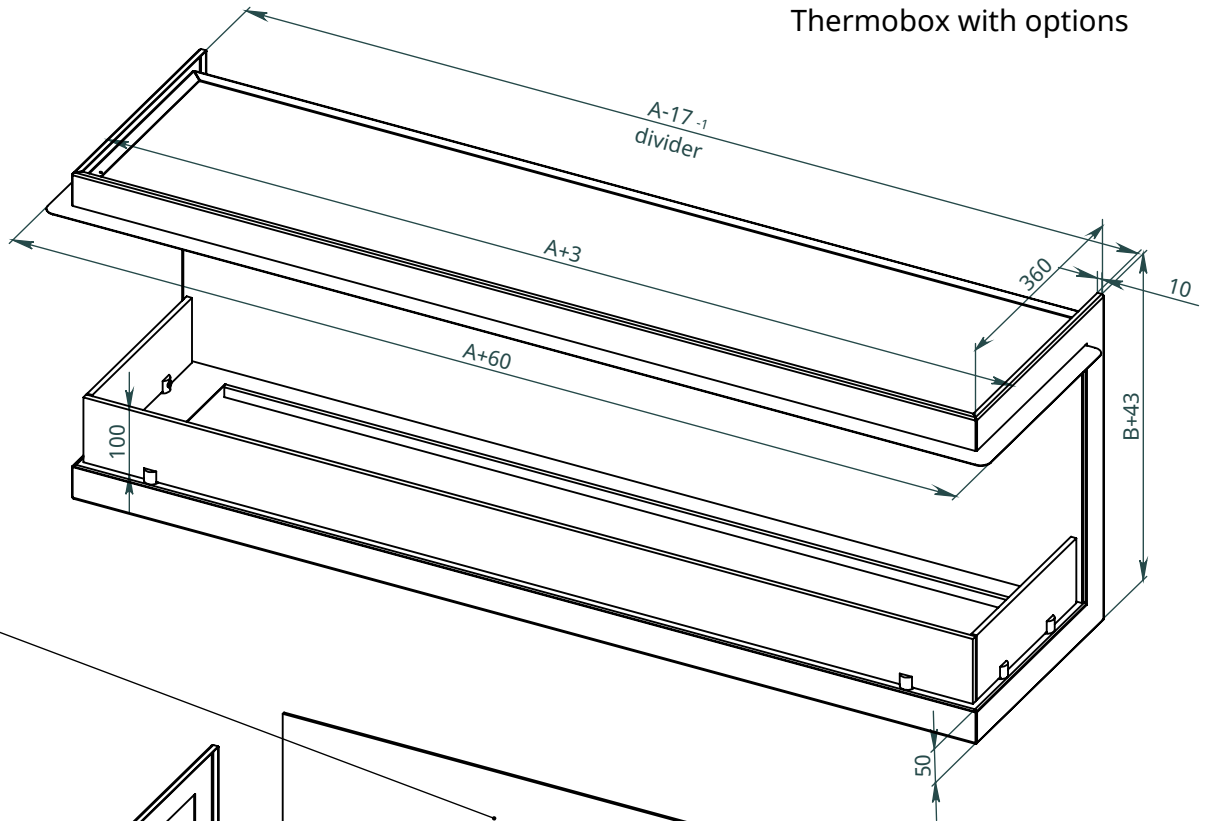
for fireplaces Automatic, Firetec
Installation instructions





Thermobox				Fireplace	
	A	B	C	X	Y
Model	Length of the thermobox	Height of the thermobox	Depth of the thermobox	Burner length	Width of the fireplace
TTS-800	800	460	340	700	250
TTS-900	900			800	
TTS-1100	1100			1000	
TTS-1300	1300			1200	
TTS-1600	1600			1500	
TTS-2200	2200			2000	
TTS-2700	2700			2500	

Thermobox with options



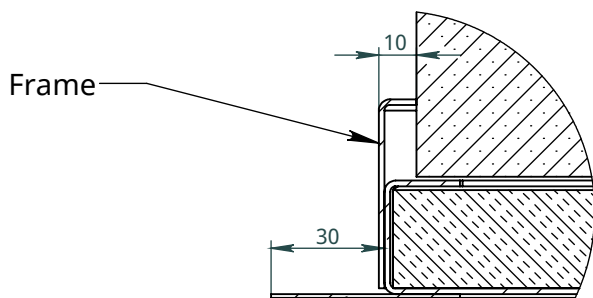
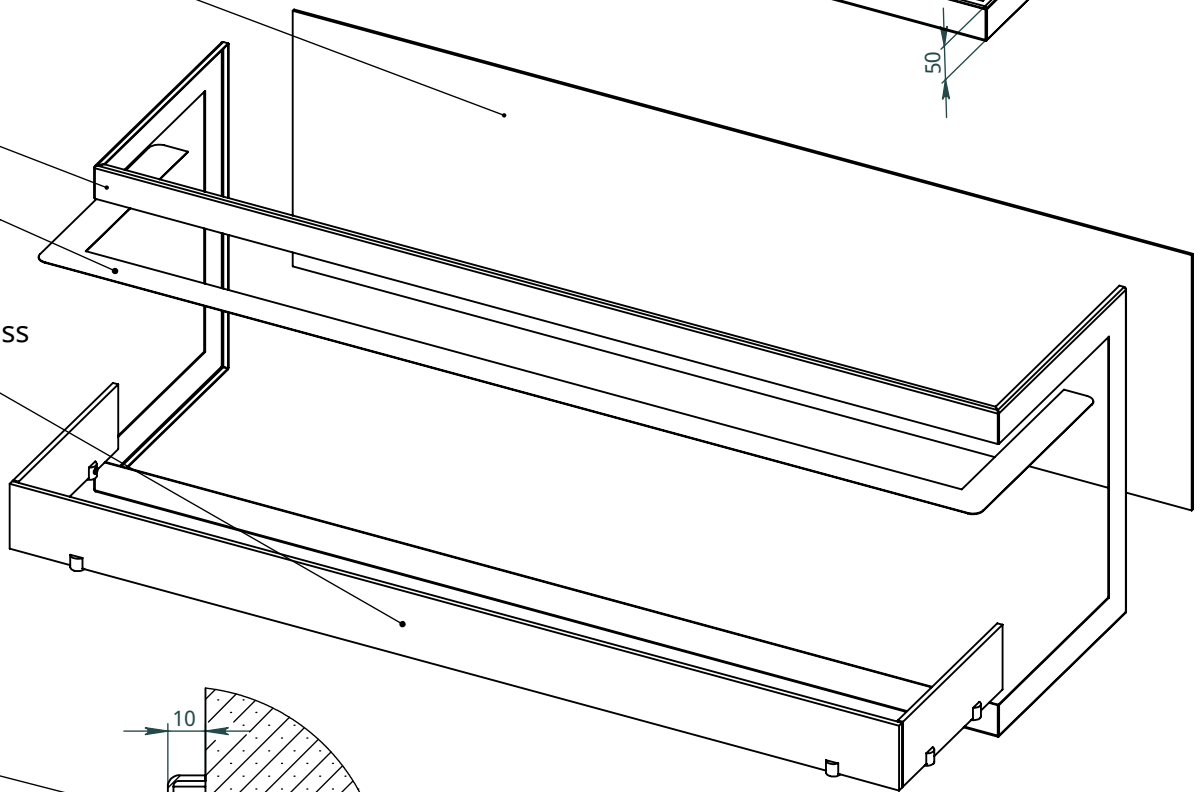
Available options:

RS - Reflection screen (black glossy glass)

F - Frame (outer decorative metal frame)

C - Canopy

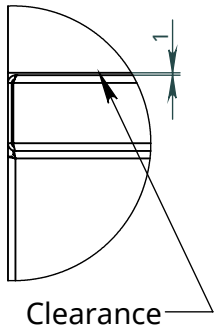
LGB - Long glass border



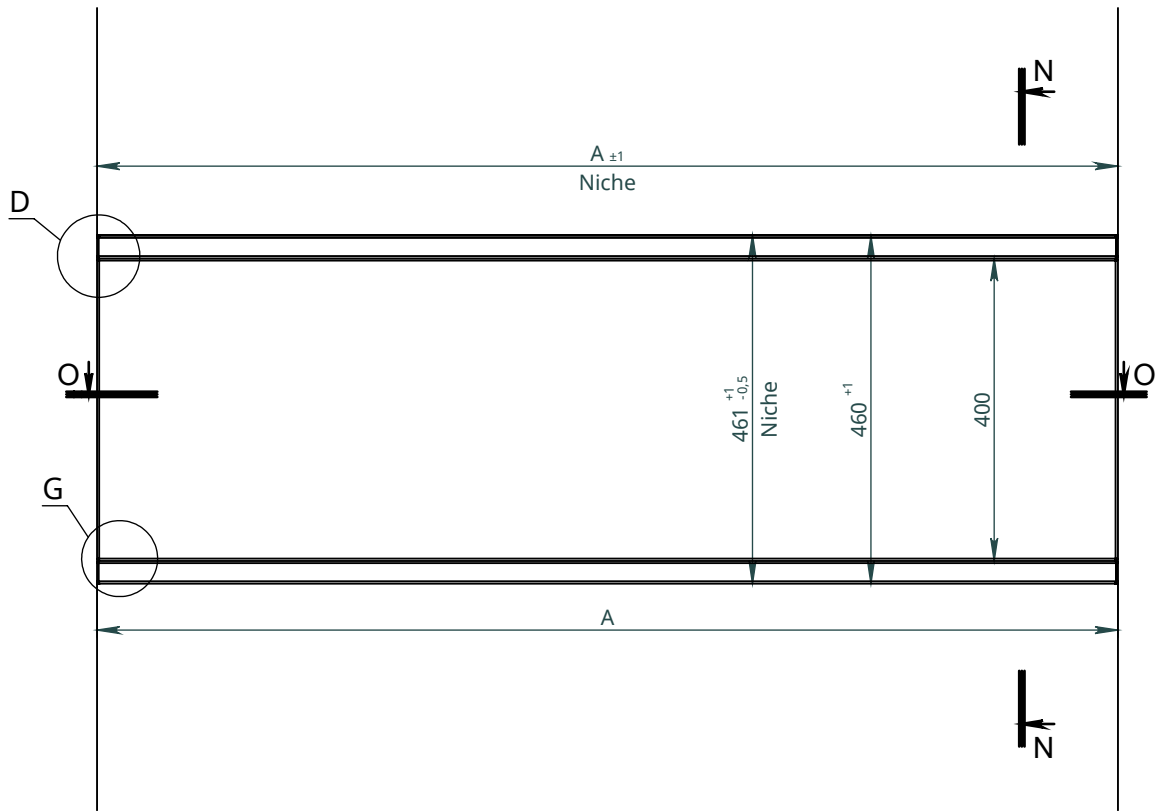
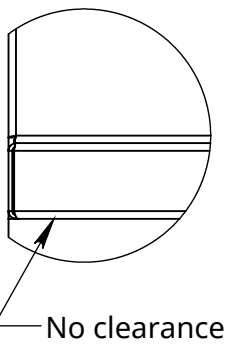
Frame

Canopy

D (1 : 3)

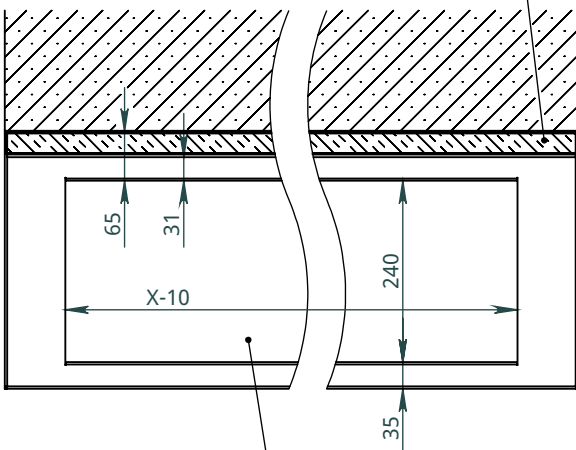


G (1 : 3)



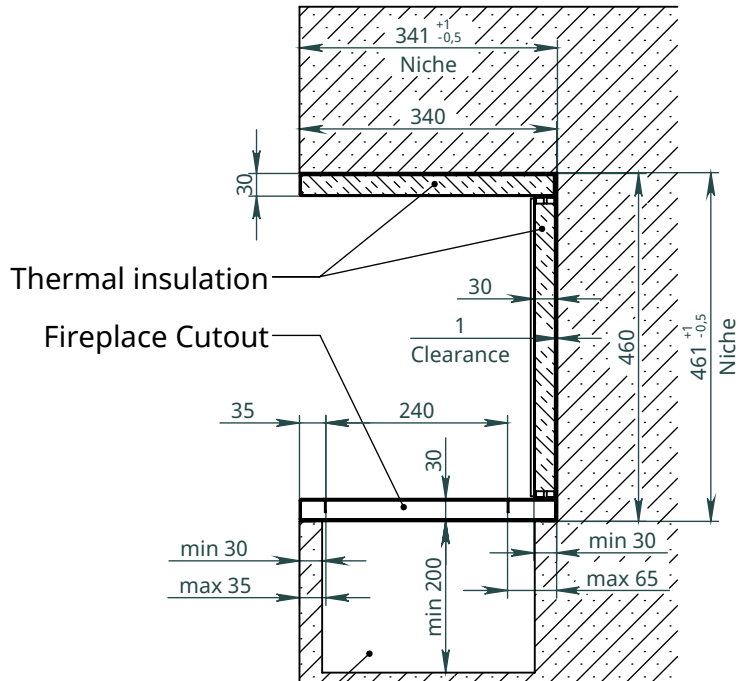
O-O

Thermal insulation



Fireplace Cutout

N-N



The niche for the Fireplace

