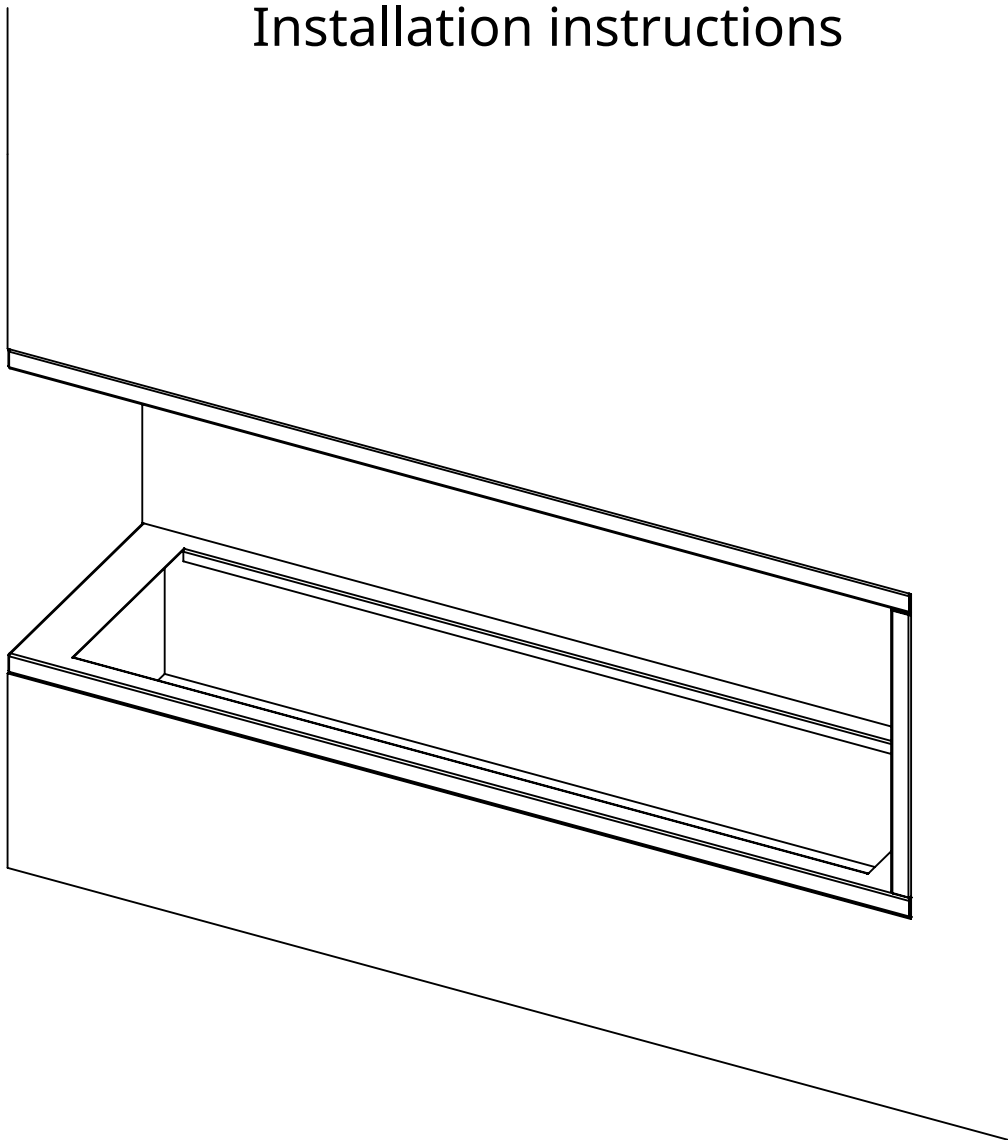
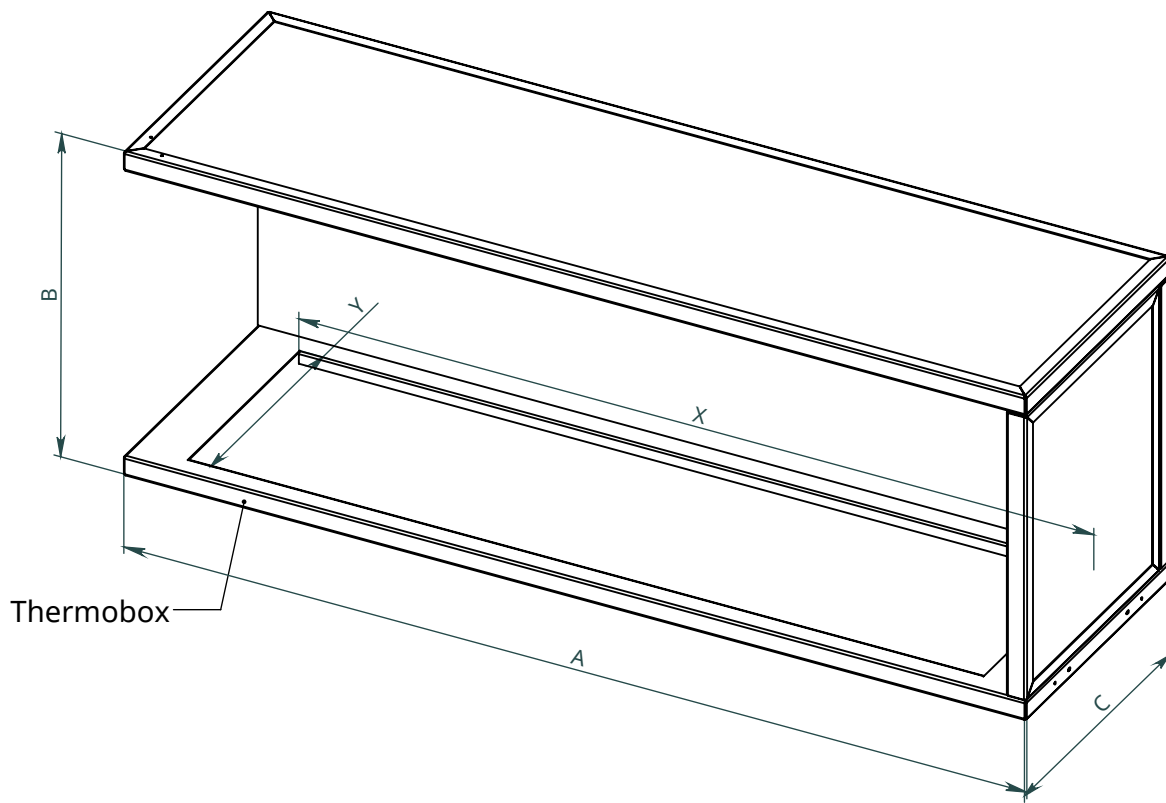


x
neverdark

Thermobox Left Corner Standard Installation (C2-TLC)

for fireplaces Chalet-II
Installation instructions



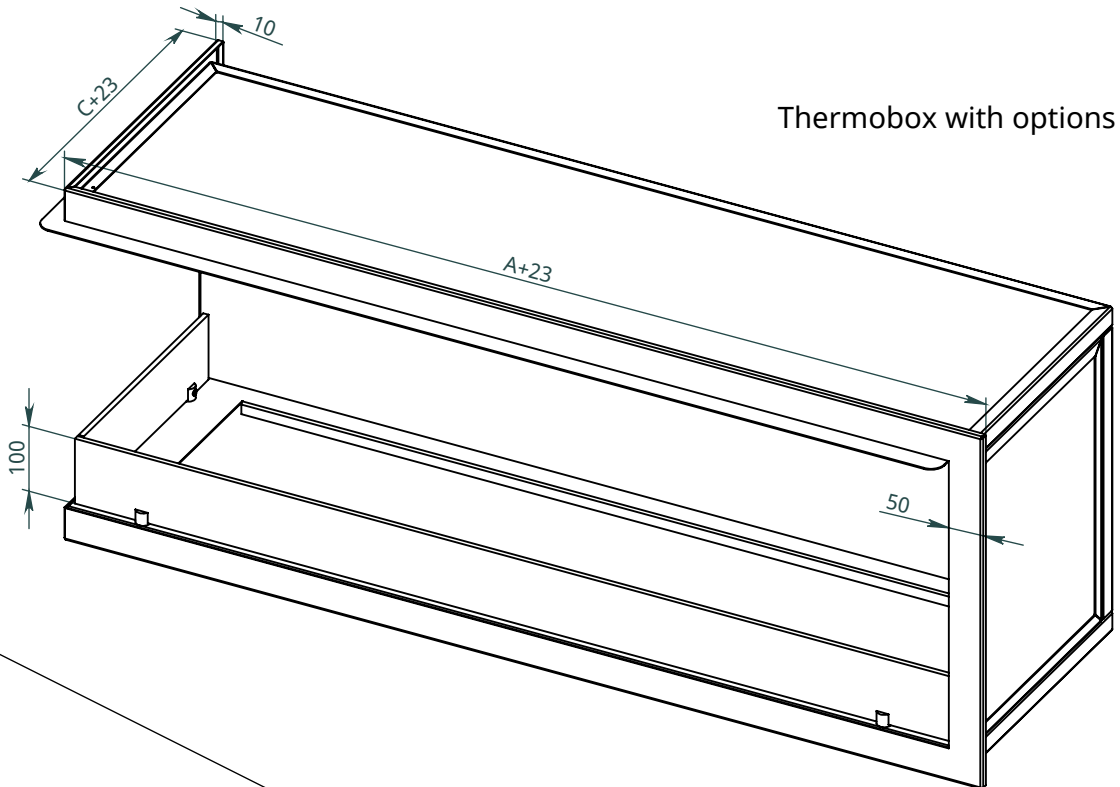


	Thermobox			Fireplace	
	A	B	C	X	Y
Model	Length of thermobox	Height of thermobox	Depth of thermobox	Max. length of fireplace	Width of the fireplace
C2-TLC-800	800	500	410	800	320
C2-TLC-900	900			900	
C2-TLC-1050	1050			1100	
C2-TLC-1300	1300			1200	
C2-TLC-1500	1500			1400	

NEVERDARK Standard Installation
 Thermobox Left Corner for Chalet-II
 (C2-TLC)

Options

Thermobox with options



Available options:

RS - Reflection screen (black glossy glass)

F - Frame (outer decorative metal frame)

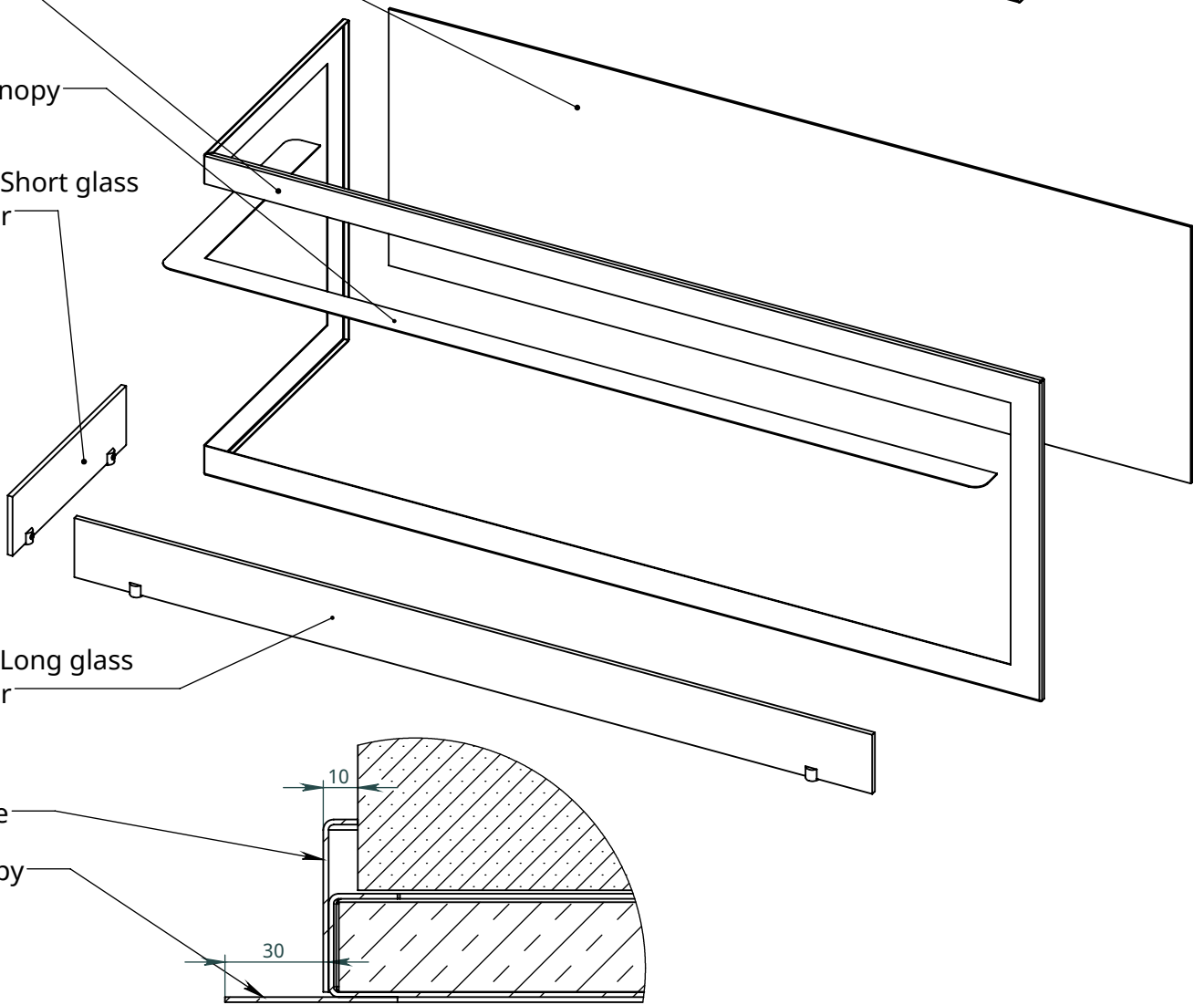
C - Canopy

SGB - Short glass border

LGB - Long glass border

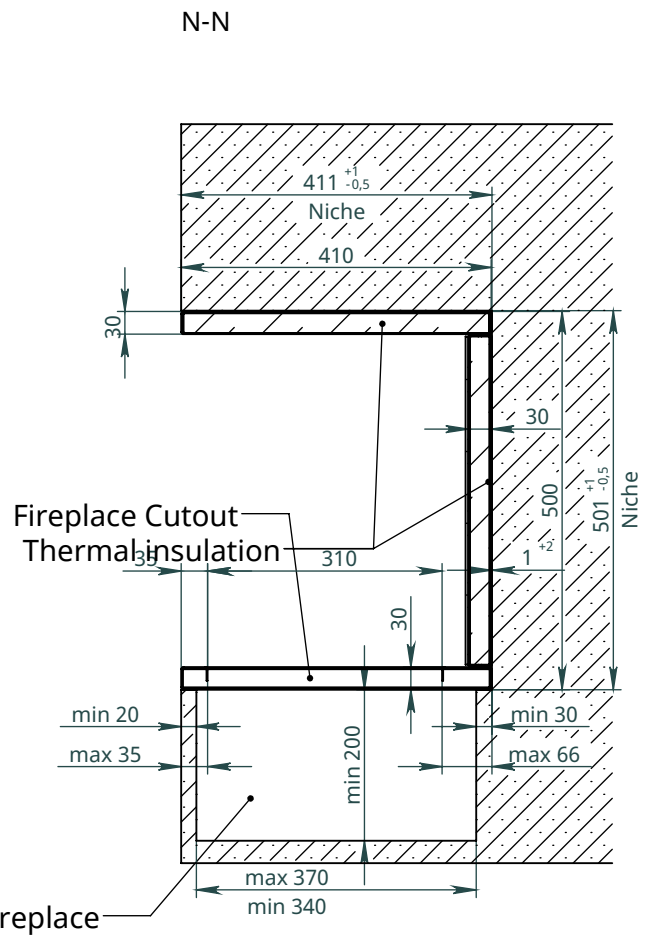
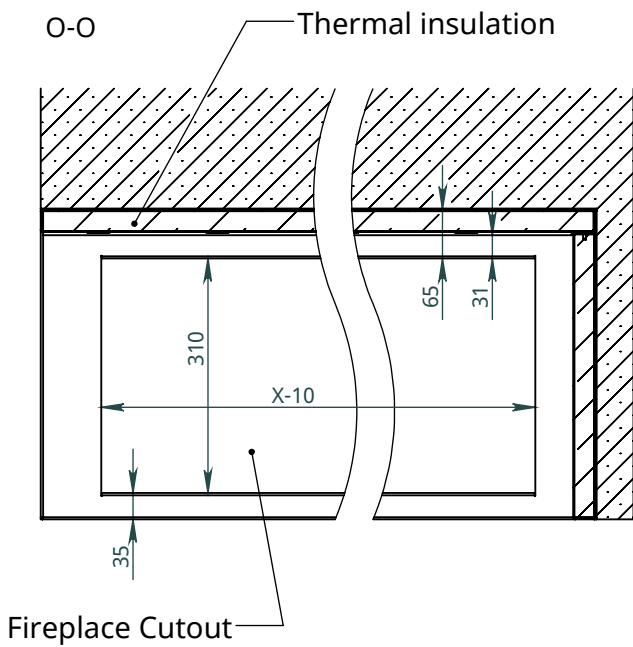
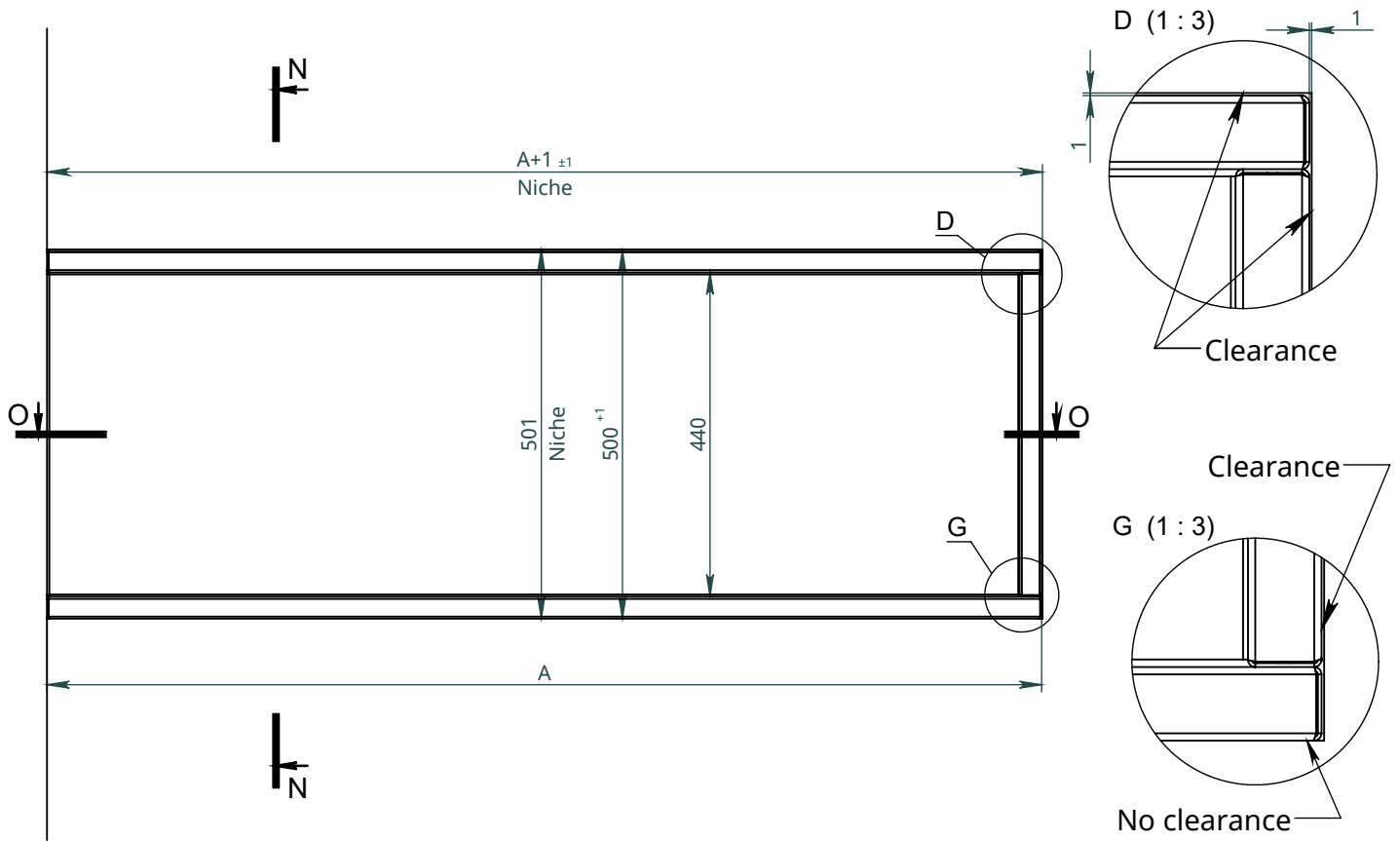
Frame

Canopy



NEVERDARK Standard Installation
 Thermobox Left Corner for Chalet-II
 (C2-TLC)

Dimensions



The niche for the Fireplace

NEVERDARK Standard Installation
 Thermobox Left Corner for Chalet-II
 (C2-TLC)

Niche

