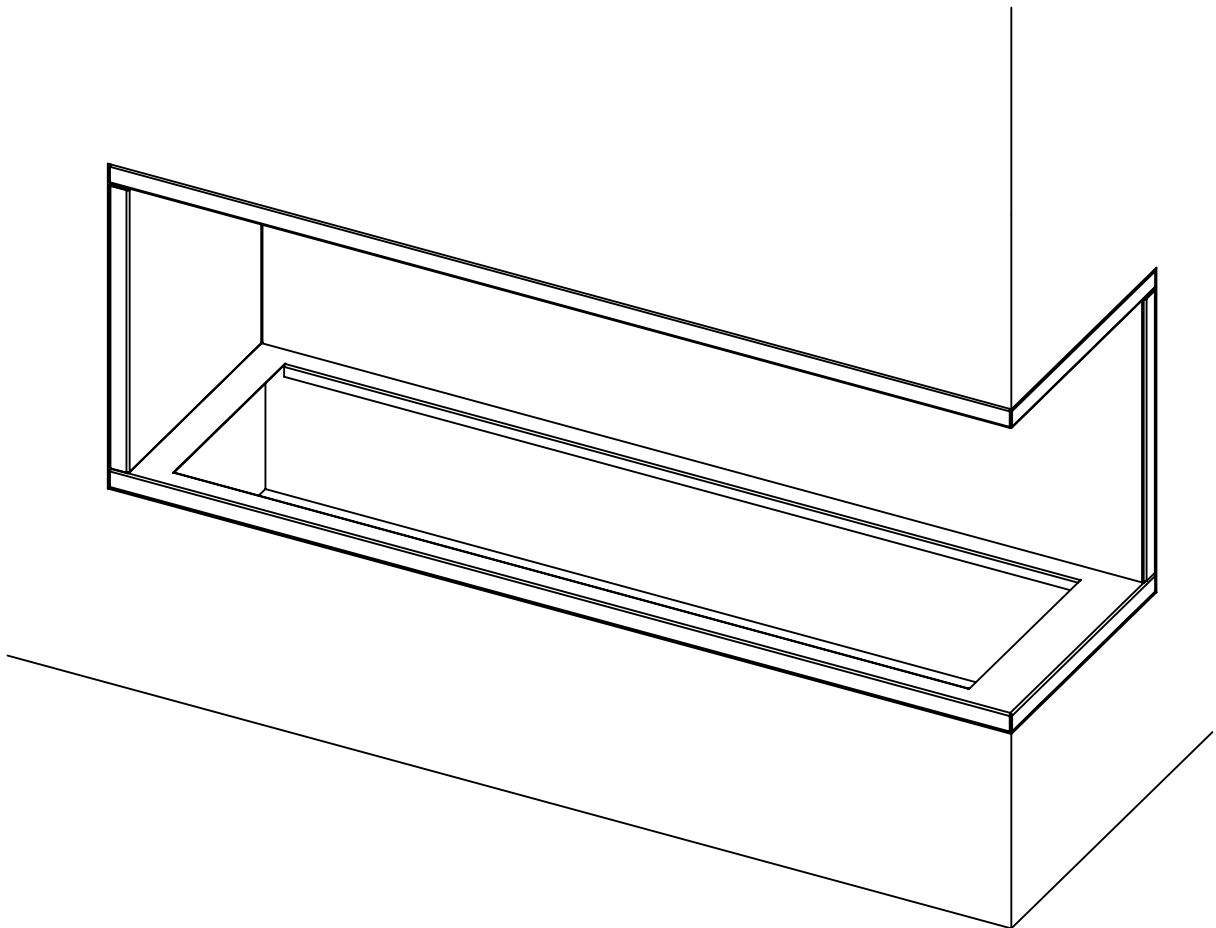
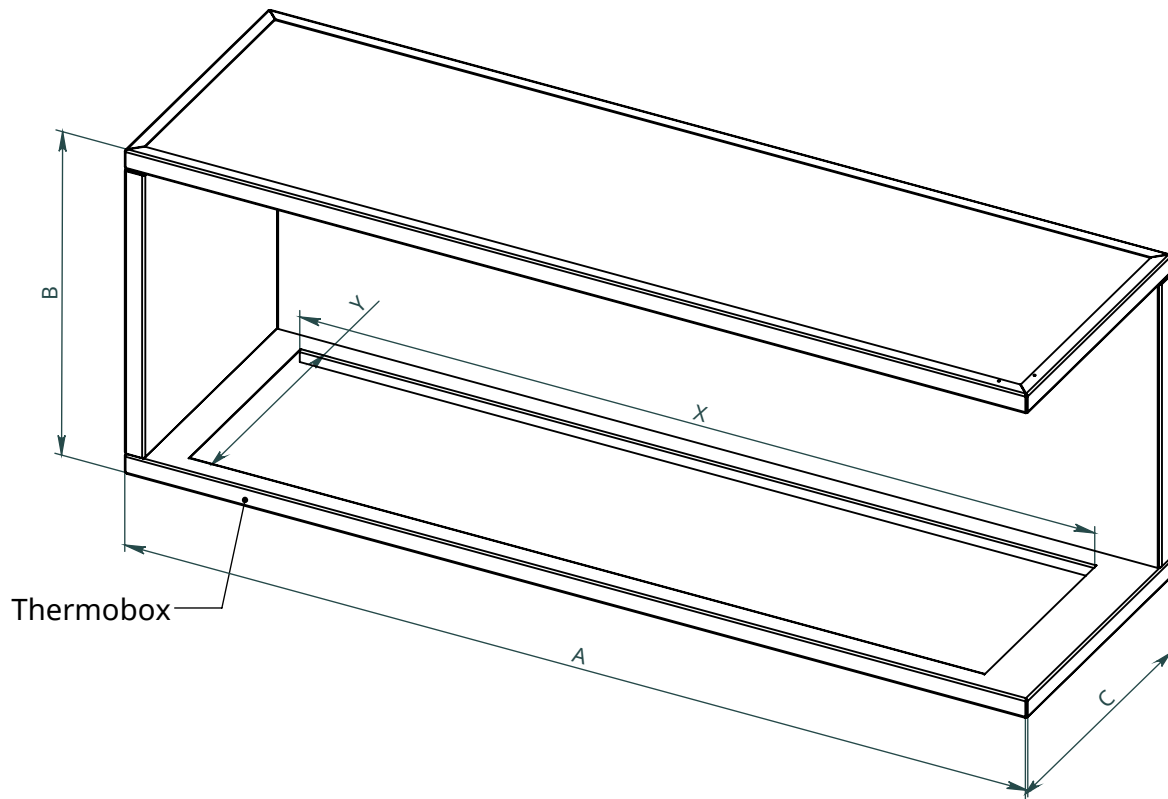


x  
neverdark

## Thermobox Right Corner Standard Installation (C2-TRC)

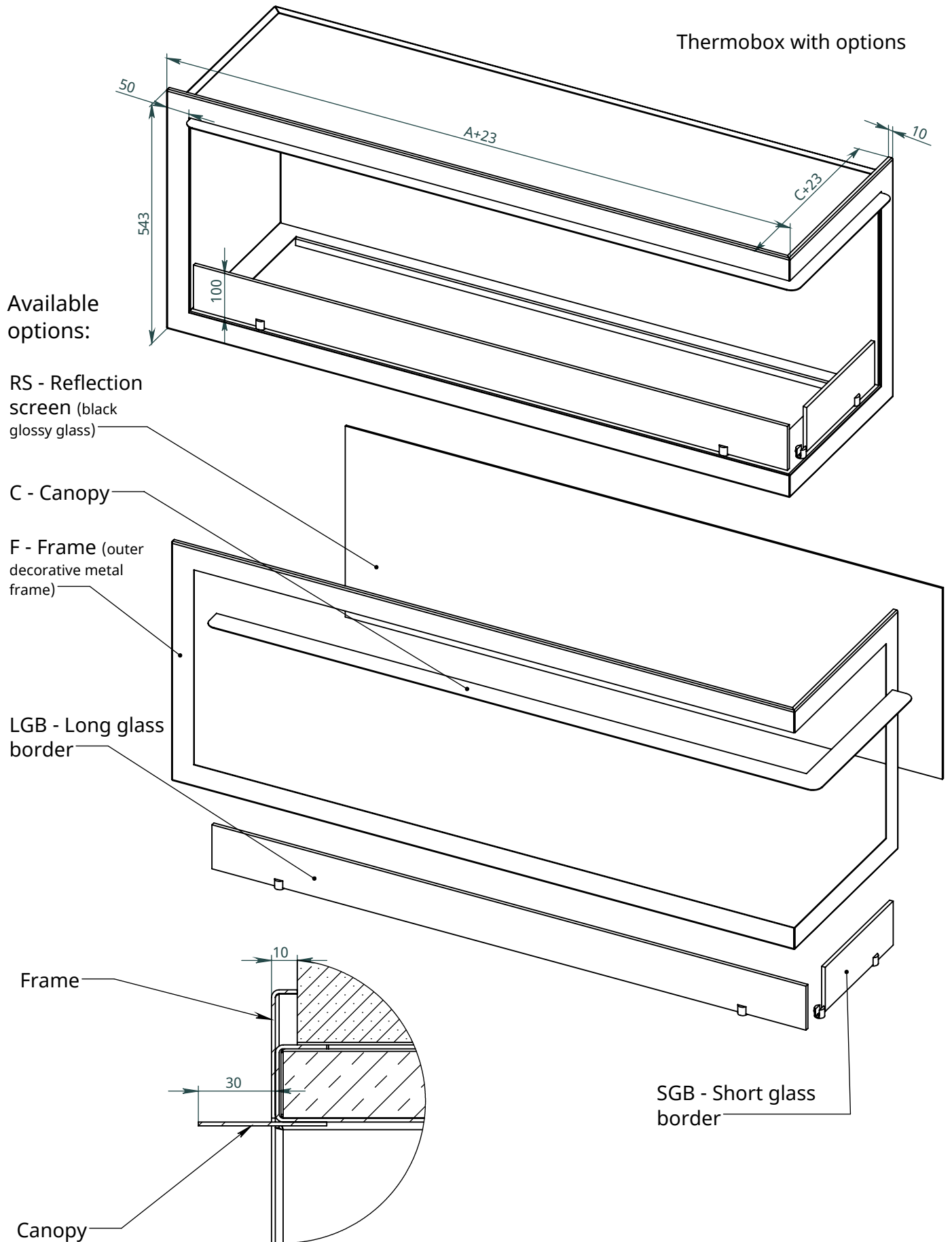
for fireplaces Chalet-II  
Installation instructions





	Thermobox			Fireplace	
	A	B	C	X	Y
Model	Length of thermobox	Height of thermobox	Depth of thermobox	Max. length of fireplace	Width of fireplace
C2-TRC-800	800	500	410	800	320
C2-TRC-900	900			900	
C2-TRC-1050	1050			1100	
C2-TRC-1300	1300			1200	
C2-TRC-1500	1500			1400	

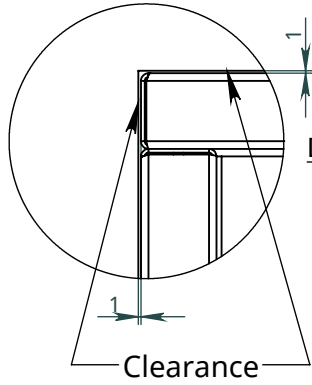
Thermobox with options



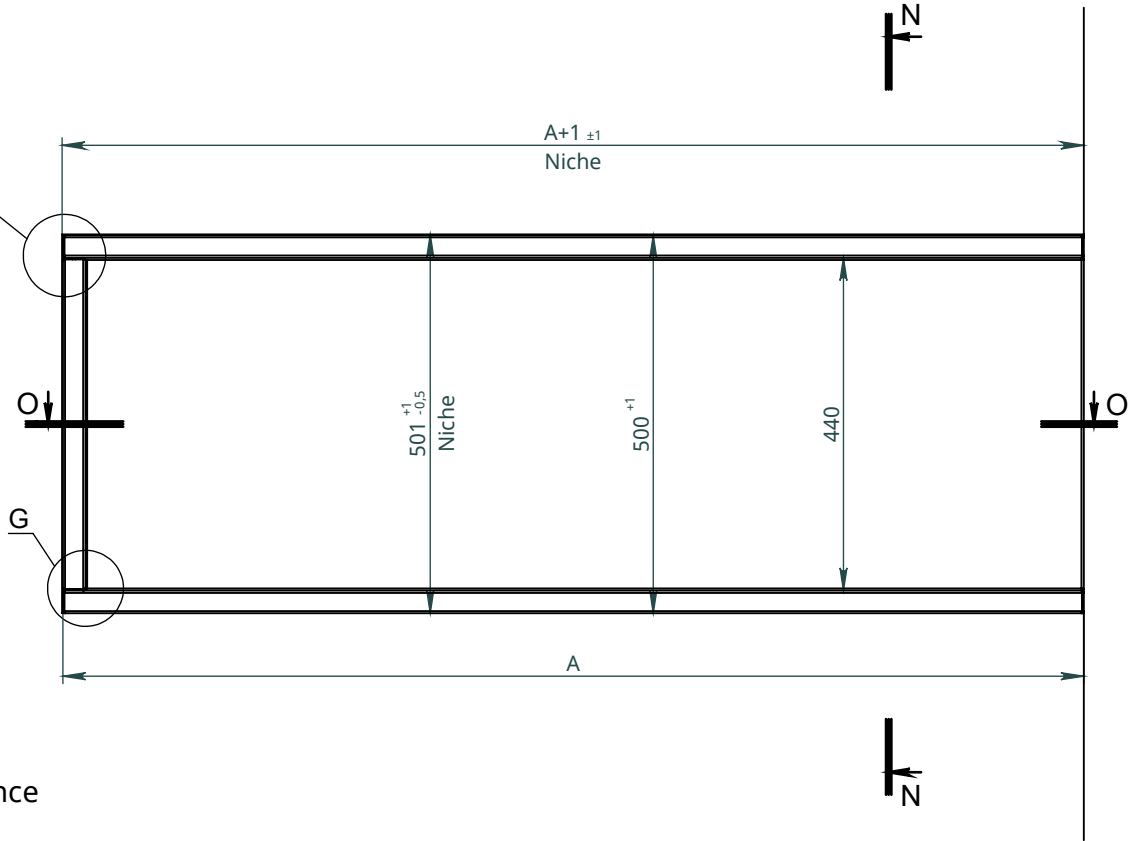
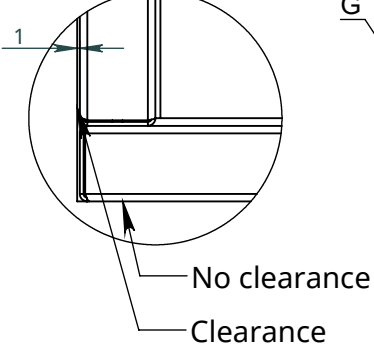
NEVERDARK Standard Installation  
 Thermobox Right Corner for Chalet-II  
 (C2-TRC)

Dimensions

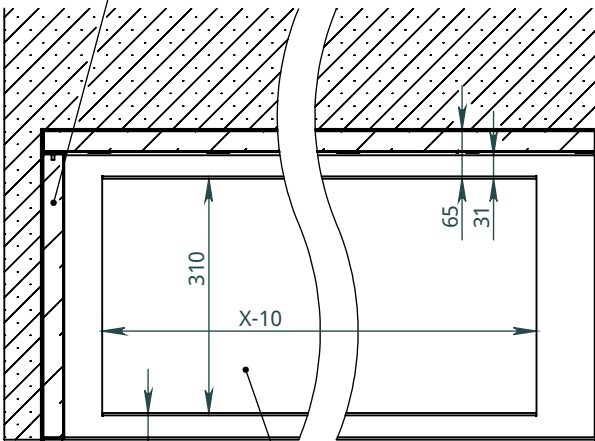
D (1 : 3)



G (1 : 3)

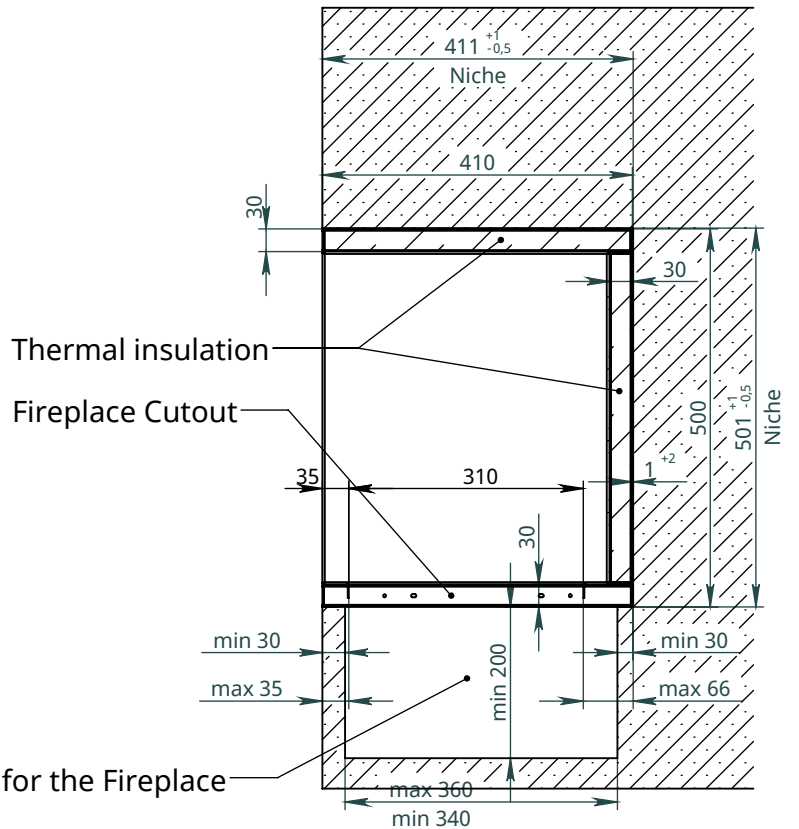


O-O Thermal insulation



Fireplace Cutout

N-N



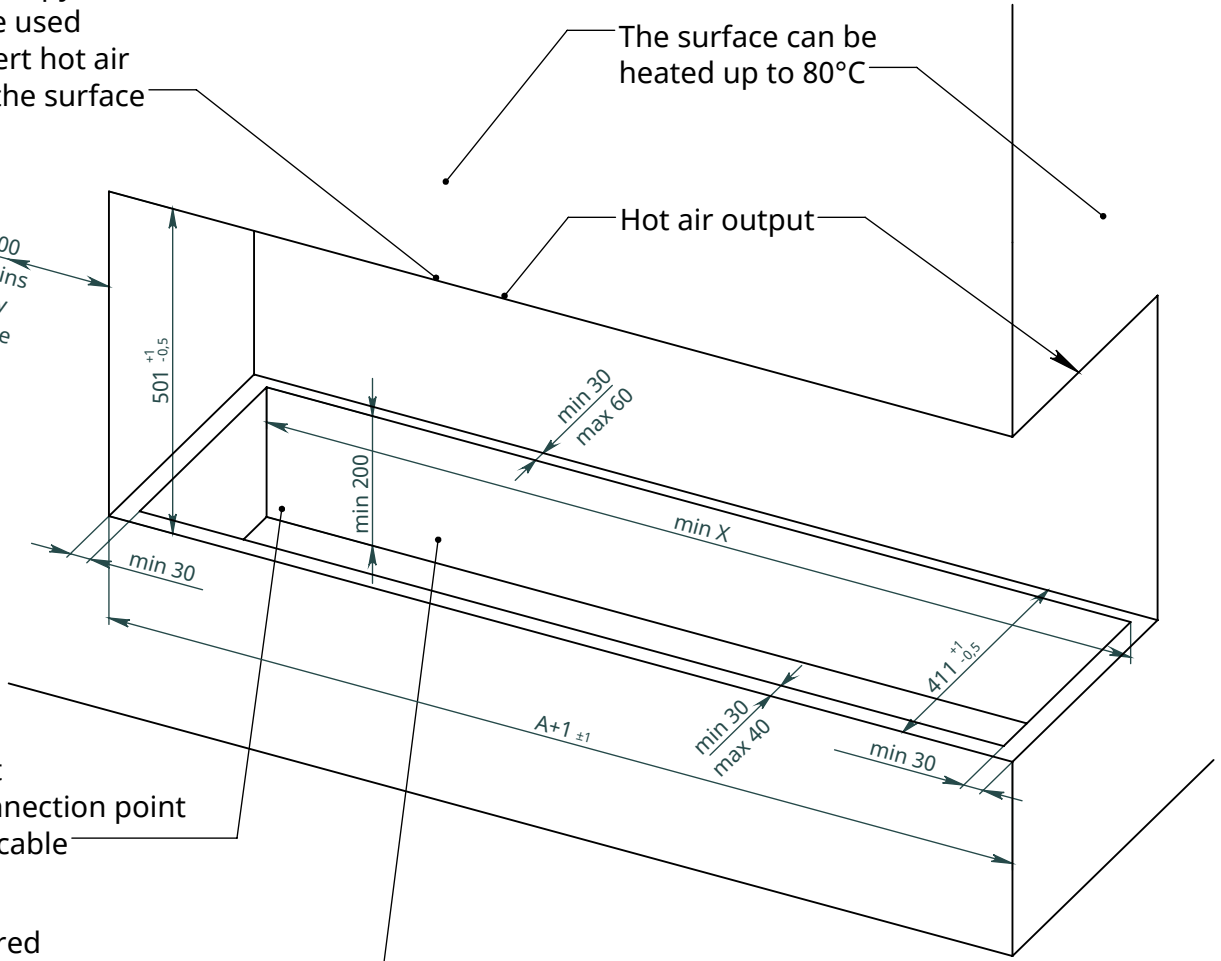
NEVERDARK Standard Installation  
 Thermobox Right Corner for Chalet-II  
 (C2-TRC)

The canopy on the thermobox can be used to divert hot air from the surface

The surface can be heated up to 80°C

Hot air output

min 500  
 To curtains  
 or easily  
 flammable  
 objects



Outlet  
 or connection point  
 3x2.5 cable

Required  
 air supply  
 into the fireplace niche  
 at least 10x10 cm

Holes for mounting  
 at the top (4mm self-tapping screw)

Holes  
 for mounting

Access to holes through the opening

