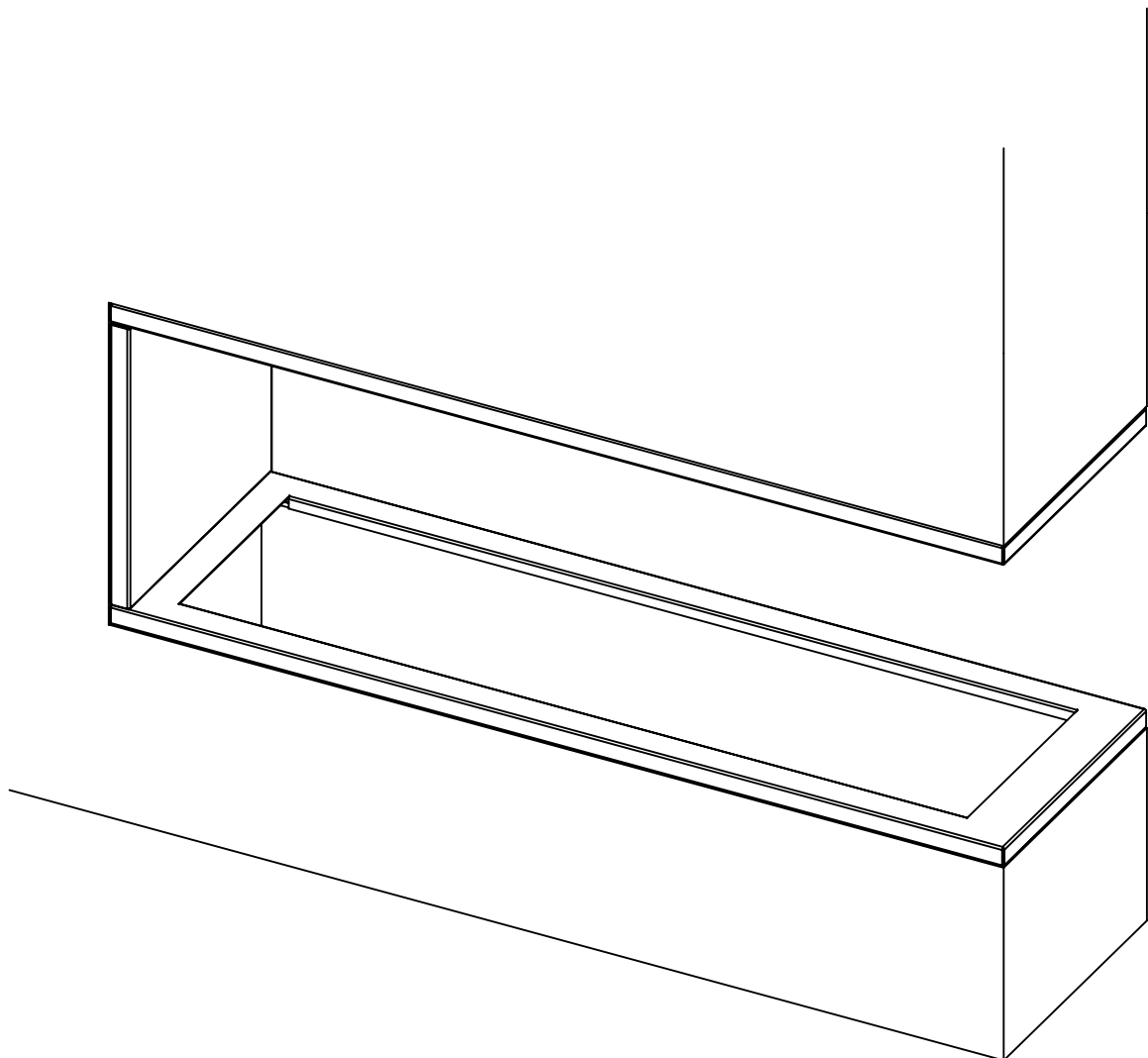
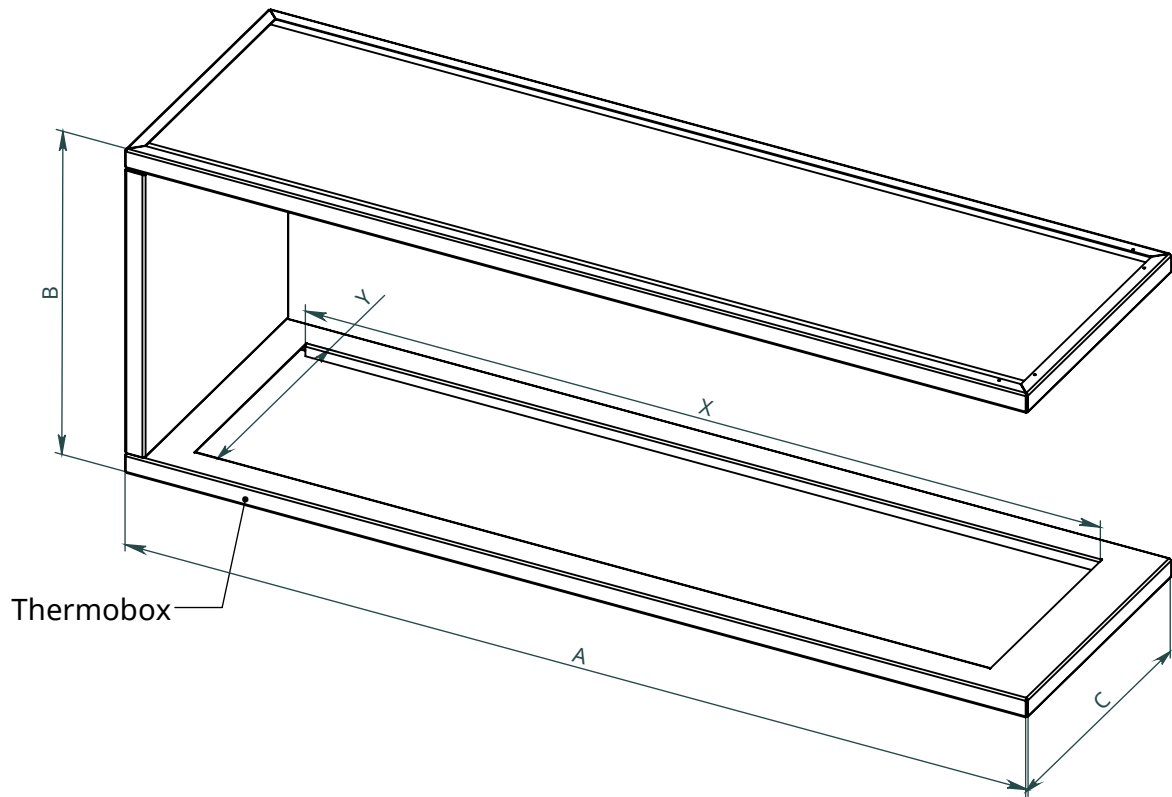


x
neverdark

Thermobox Room Divider Standard Installation (C2-TRD)

for fireplaces Chalet-II
Installation instructions

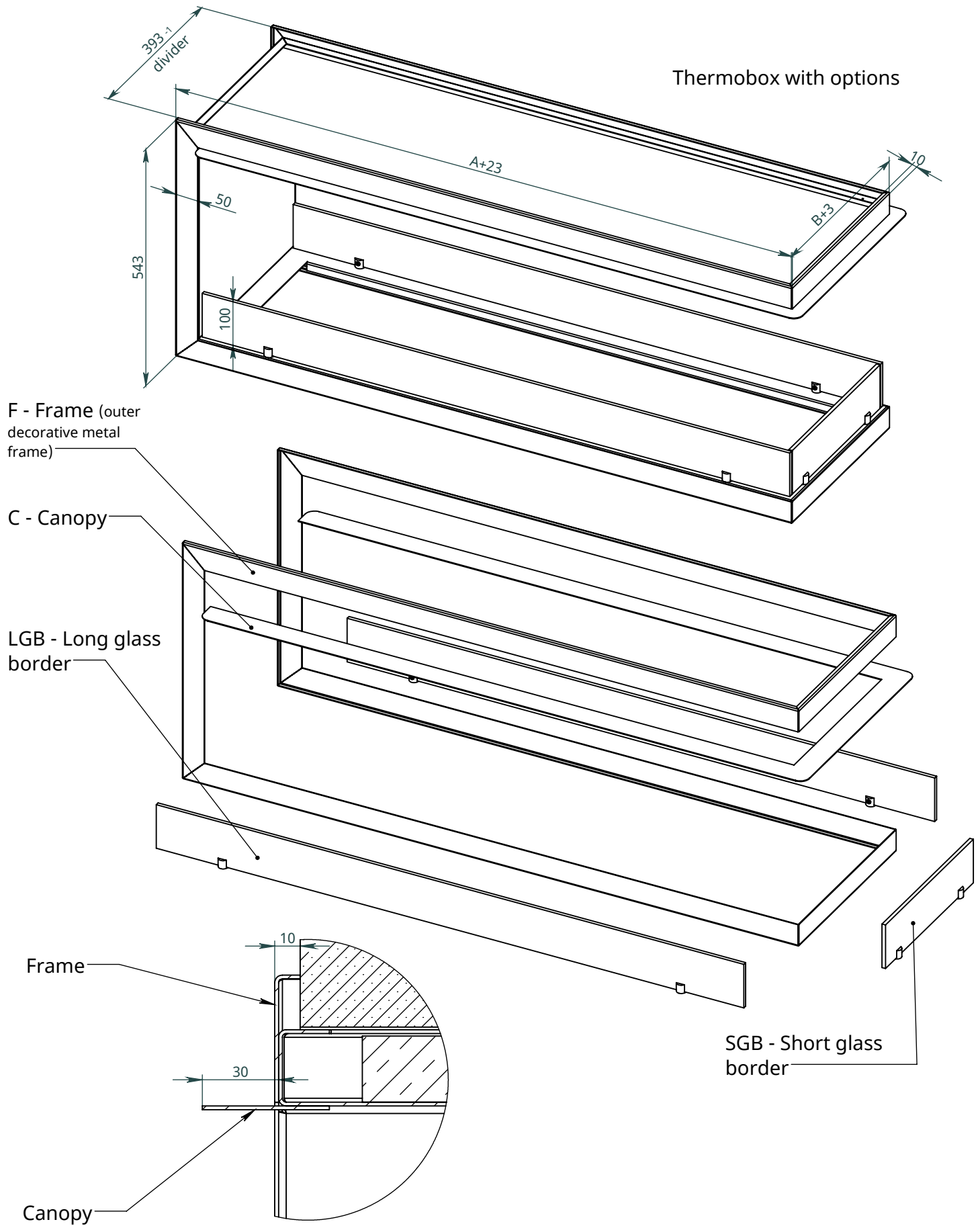




	Thermobox			Fireplace	
	A	B	C	X	Y
Model	Length of thermobox	Height of thermobox	Depth of thermobox	Max. length of fireplace	Width of the fireplace
C2-TRD-800	800	500	410	800	320
C2-TRD-900	900			900	
C2-TRD-1050	1050			1100	
C2-TRD-1300	1300			1200	
C2-TRD-1500	1500			1400	

NEVERDARK Standard Installation
 Thermobox Room Divider for Chalet-II
 (C2-TRD)

Options



NEVERDARK Standard Installation
 Thermobox Room Divider for Chalet-II
 (C2-TRD)

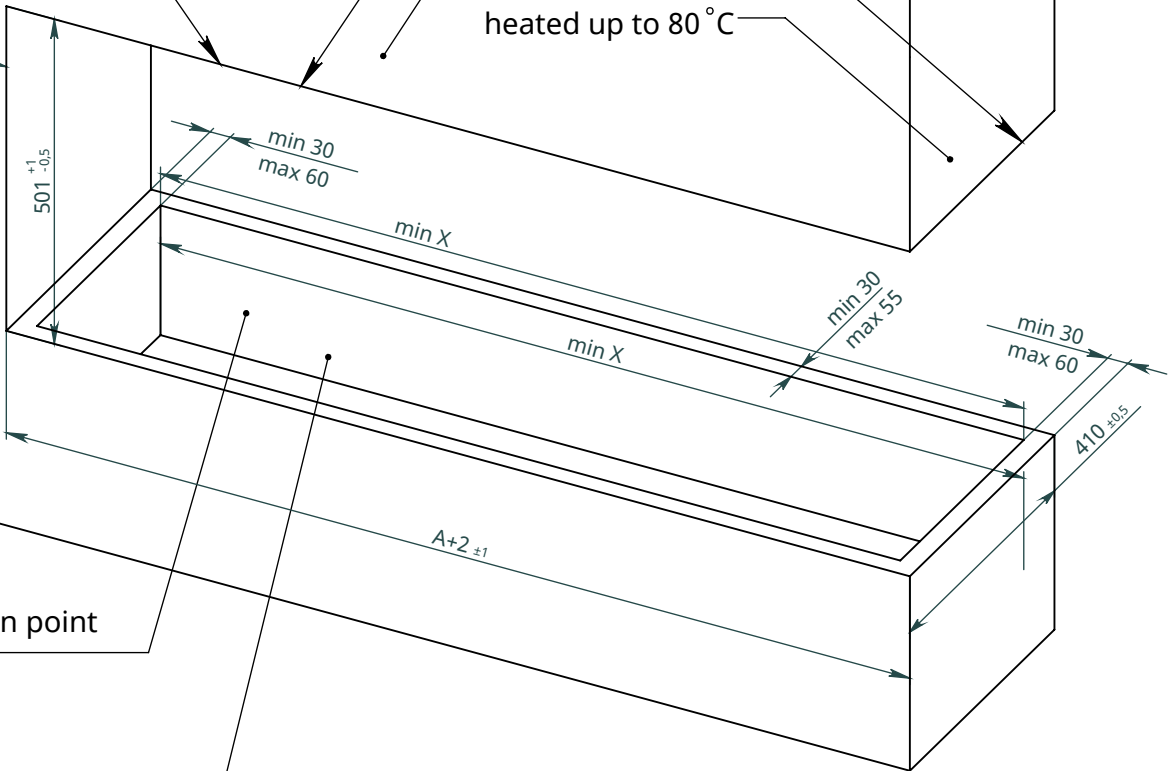
Niche

The canopy on the thermobox can be used to divert hot air from the surface

Hot air output

The surface can be heated up to 80°C

min 500
 To curtains or easily flammable objects



Outlet or connection point
 3x2.5 cable

Required air supply into the fireplace niche at least 10x10 cm

Holes for mounting at the top (4mm self-tapping screw)

Make sure the top is securely fixed

