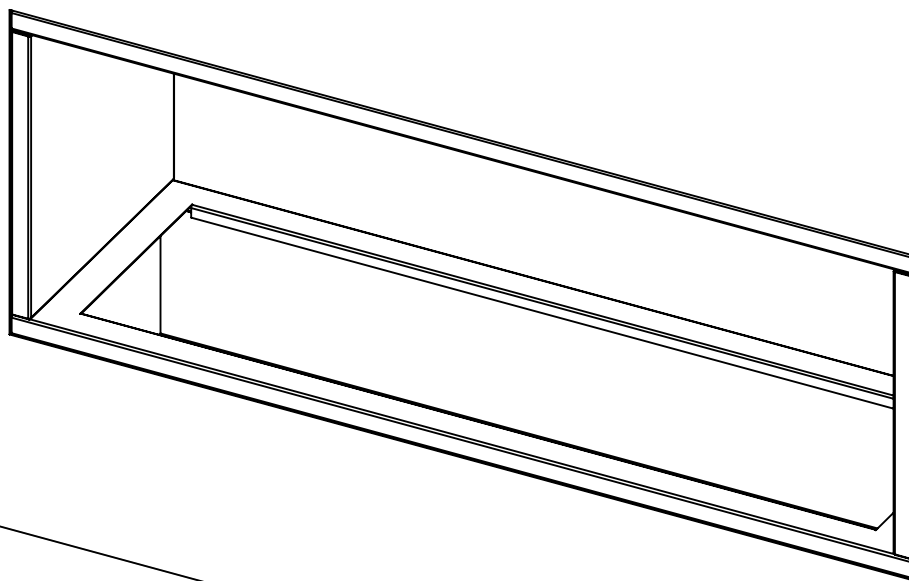
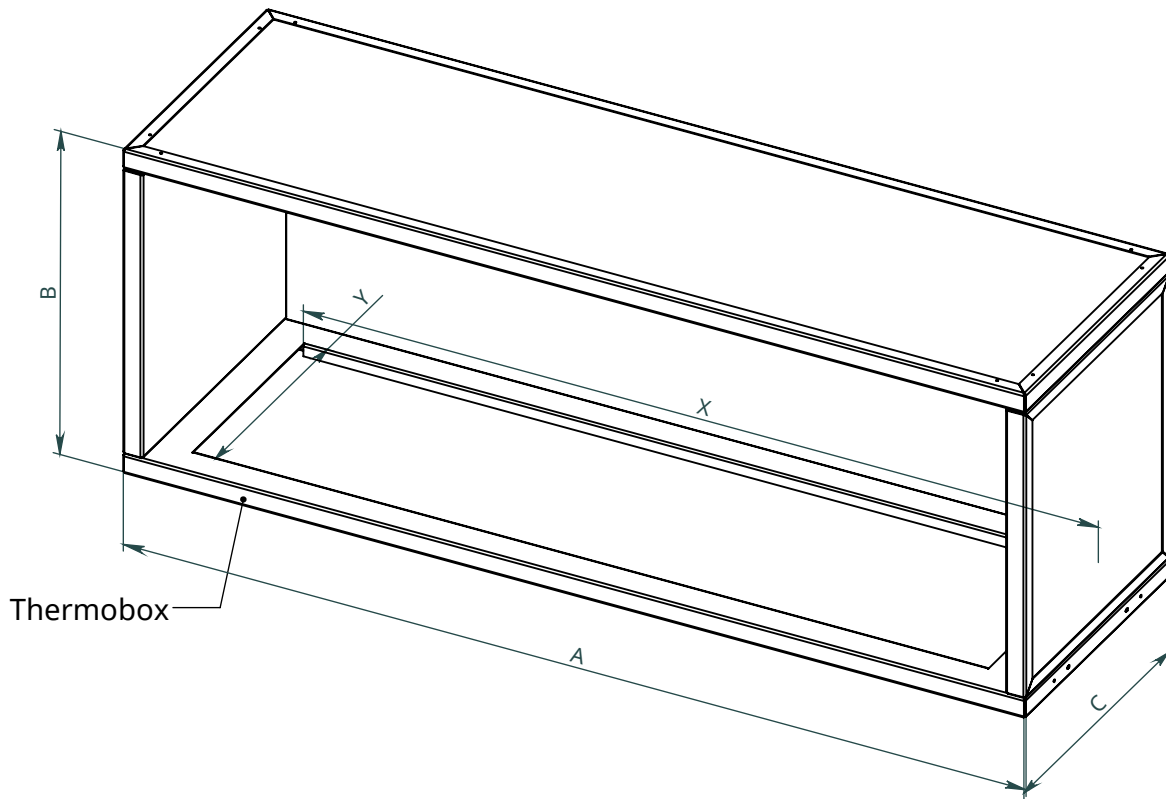


x  
neverdark

# Thermobox See-Through Standard Installation (C2-TST)

for fireplaces Chalet-II  
Installation instructions



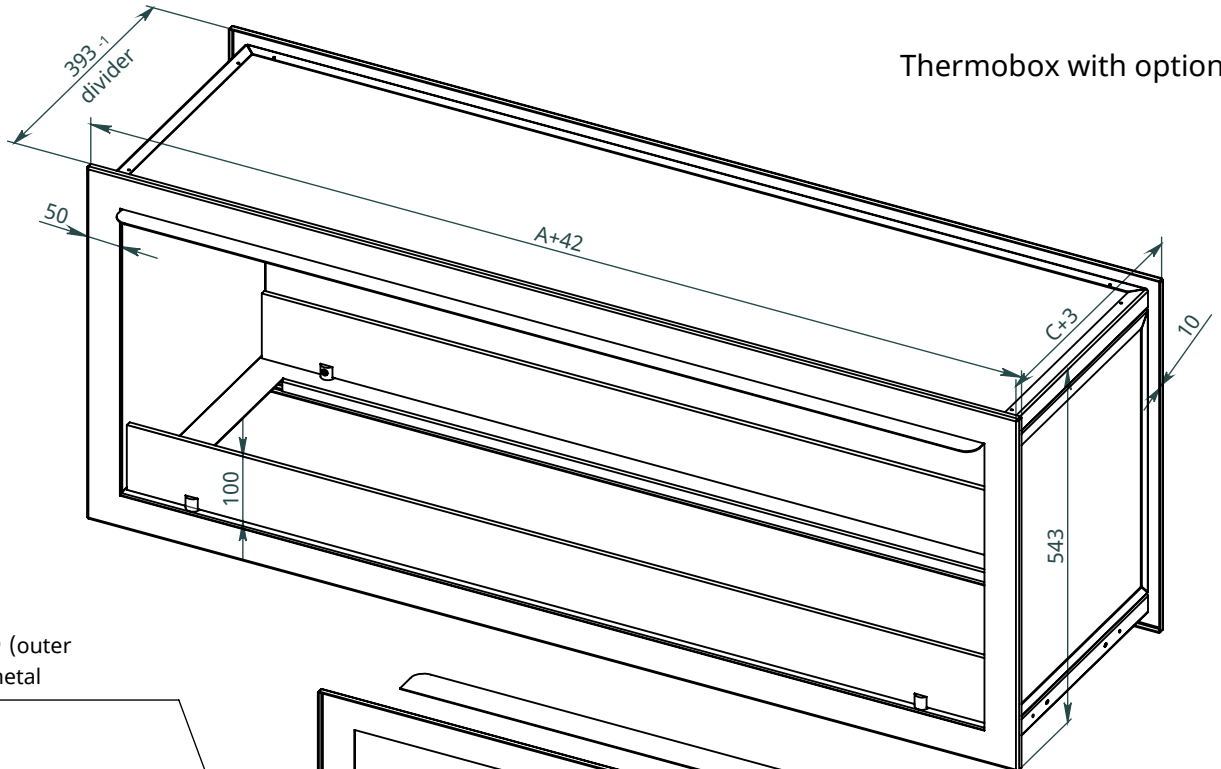


|             | Thermobox           |                     |                    | Fireplace                    |                        |
|-------------|---------------------|---------------------|--------------------|------------------------------|------------------------|
|             | A                   | B                   | C                  | X                            | Y                      |
| Model       | Length of thermobox | Height of thermobox | Depth of thermobox | Max. length of the fireplace | Width of the fireplace |
| C2-TST-800  | 800                 | 500                 | 410                | 800                          | 320                    |
| C2-TST-900  | 900                 |                     |                    | 900                          |                        |
| C2-TST-1050 | 1050                |                     |                    | 1100                         |                        |
| C2-TST-1300 | 1300                |                     |                    | 1200                         |                        |
| C2-TST-1500 | 1500                |                     |                    | 1400                         |                        |

NEVERDARK Standard Installation  
 Thermobox See-Through for Chalet-  
 II (C2-TST)

Options

Thermobox with options

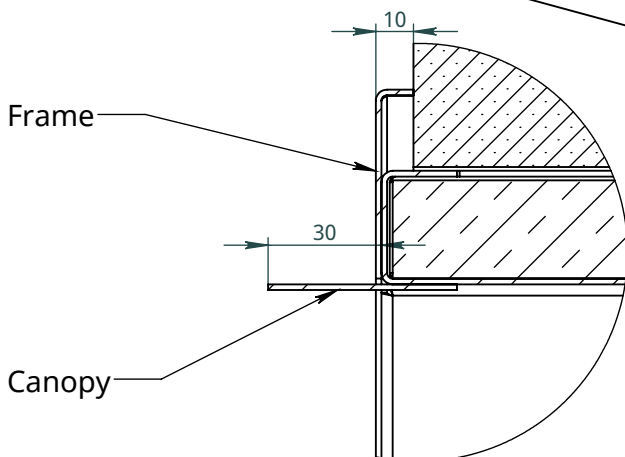
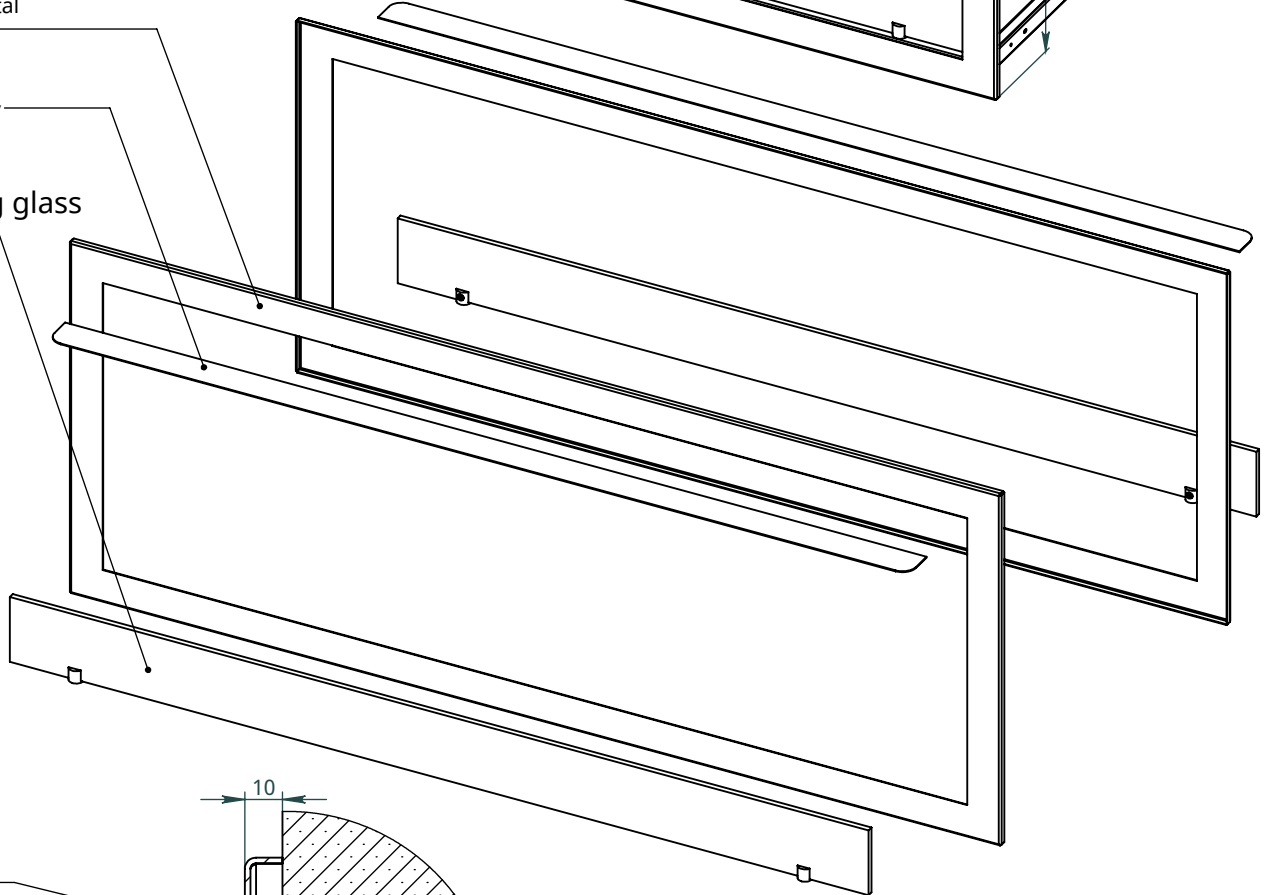


Available options:

F - Frame (outer decorative metal frame)

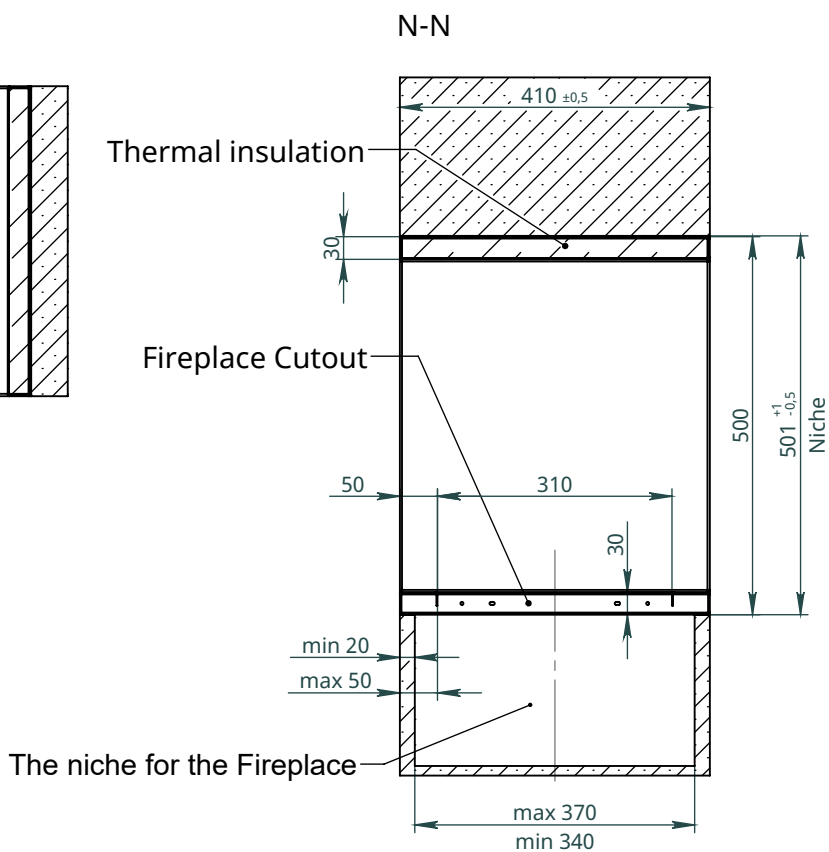
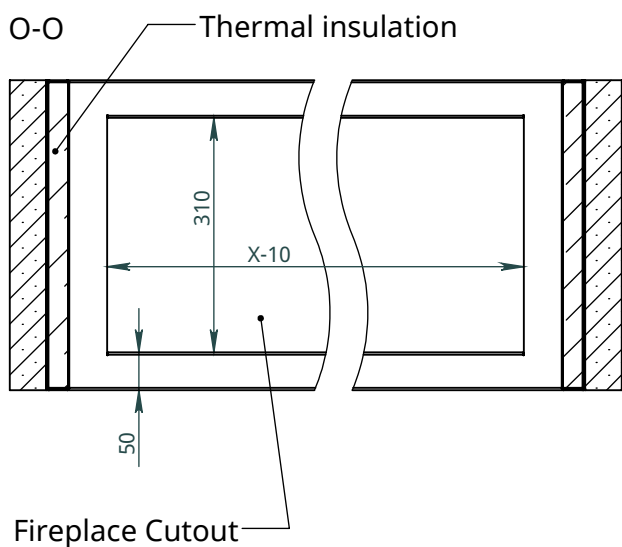
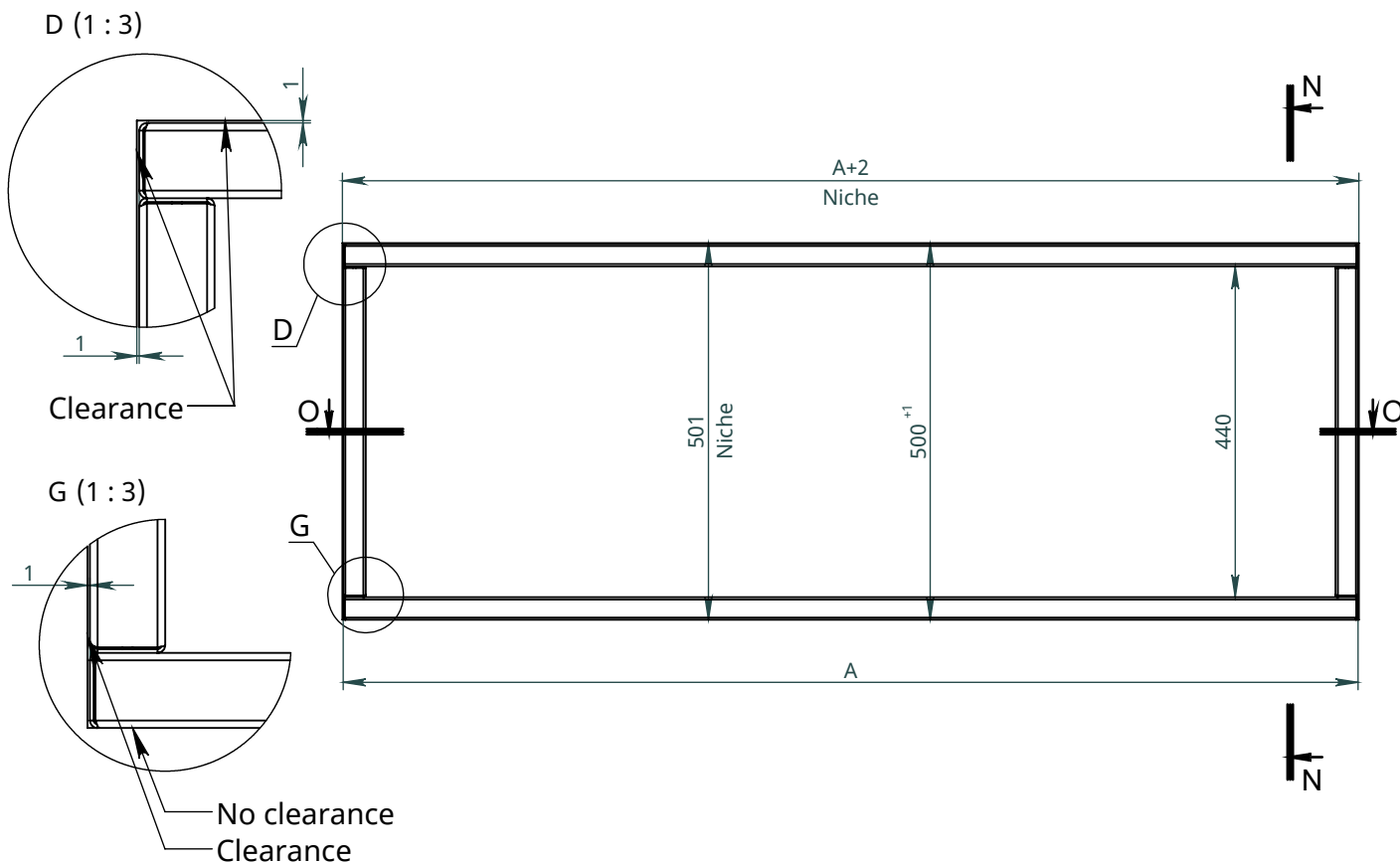
C - Canopy

LGB - Long glass border



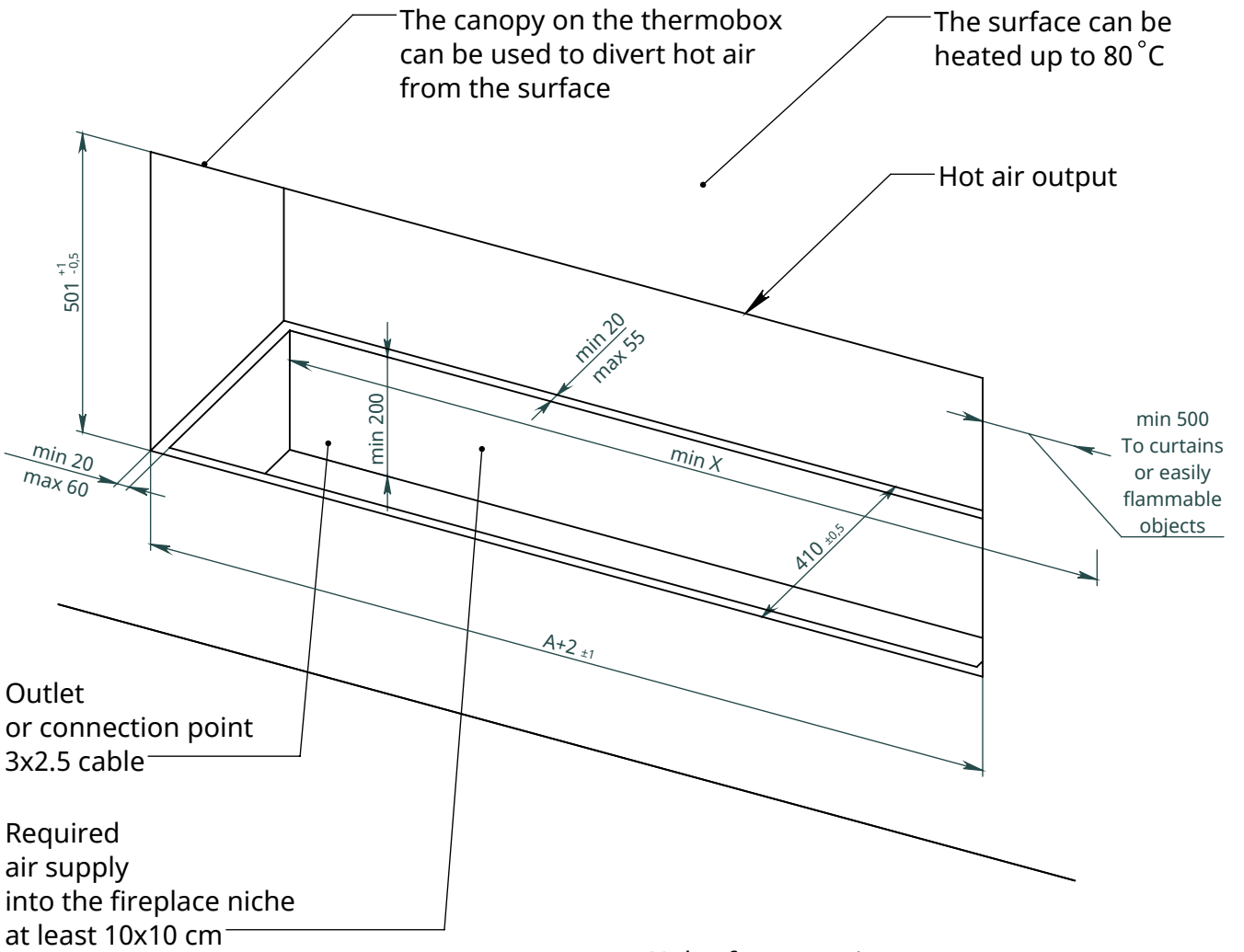
NEVERDARK Standard Installation  
 Thermobox See-Through for Chalet-  
 II (C2-TST)

Dimensions



NEVERDARK Standard Installation  
 Thermobox See-Through for Chalet-  
 II (C2-TST)

Niche



Holes for mounting  
at the top (4mm self-tapping screw)

