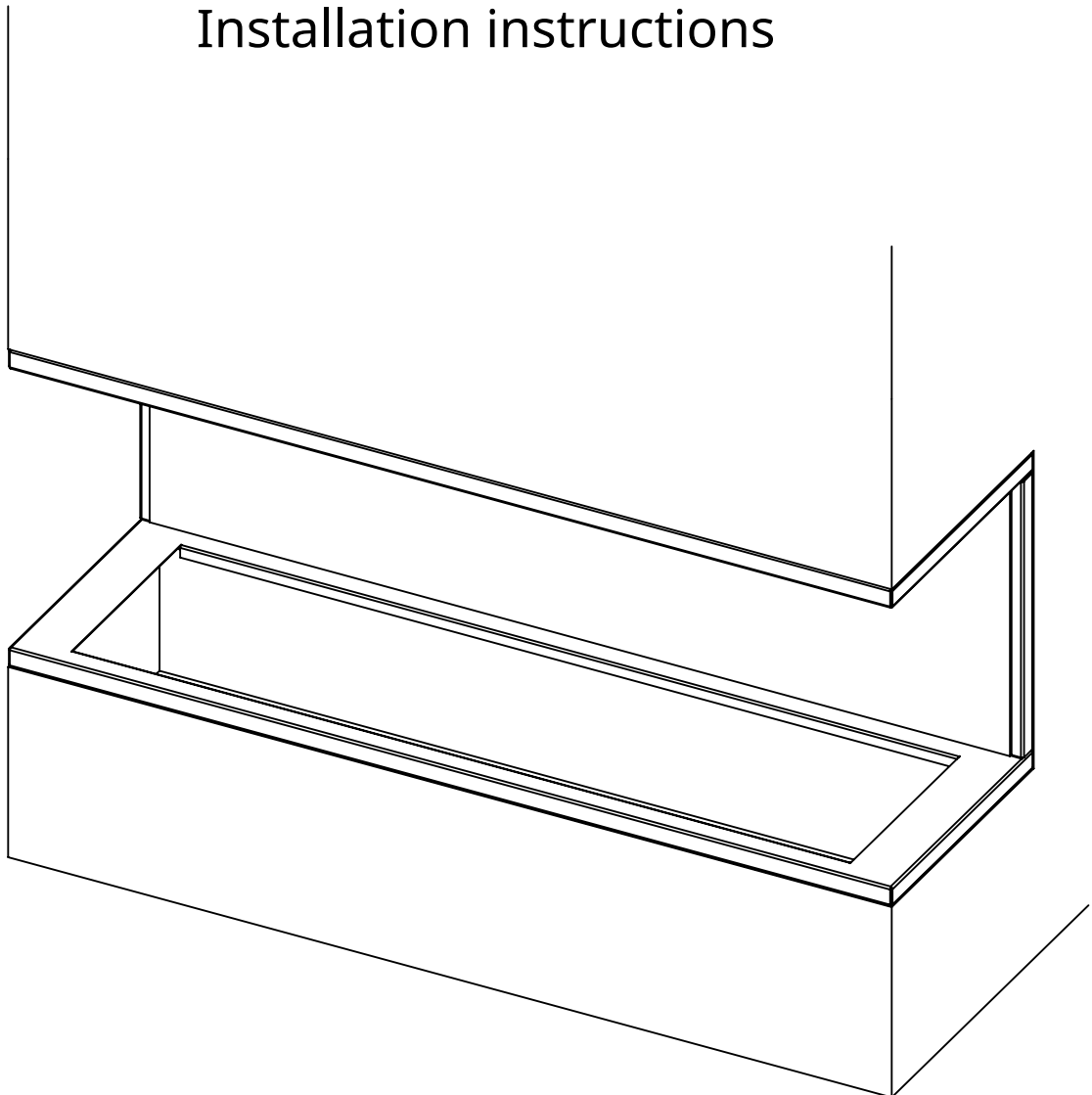
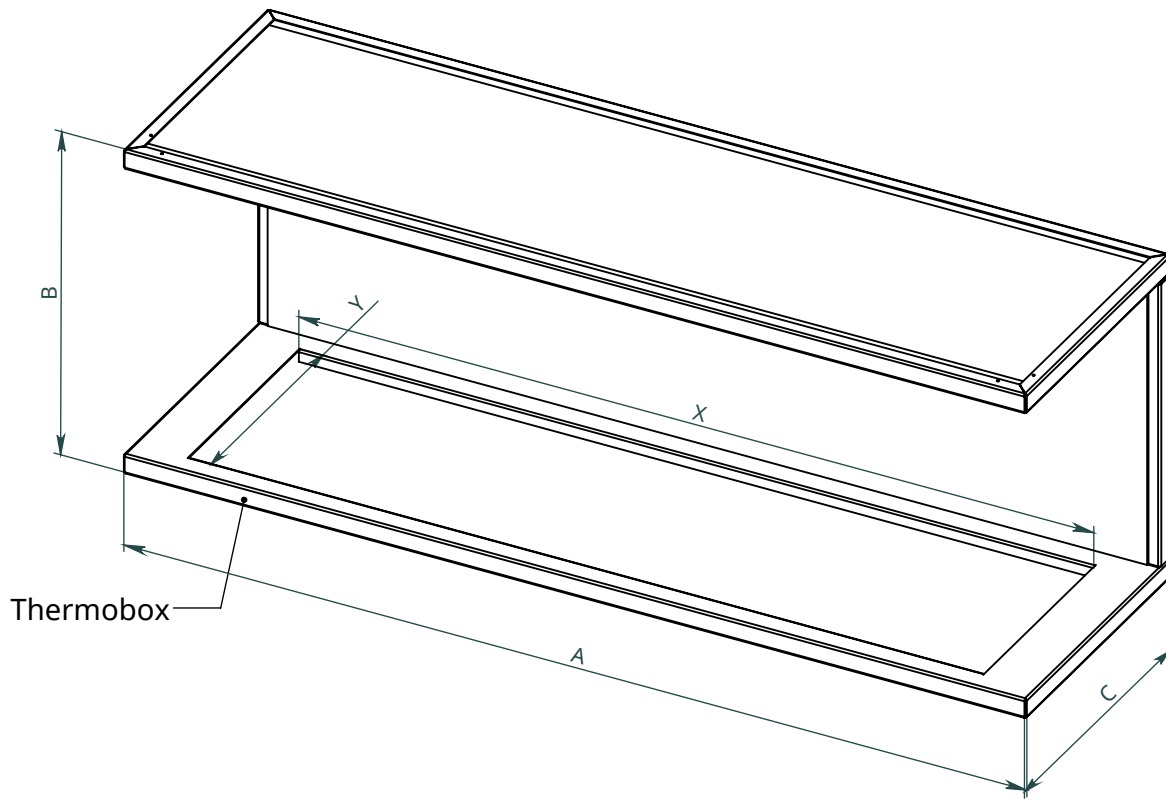


x
neverdark

Thermobox Three-Sided Standard Installation (C2-TTS)

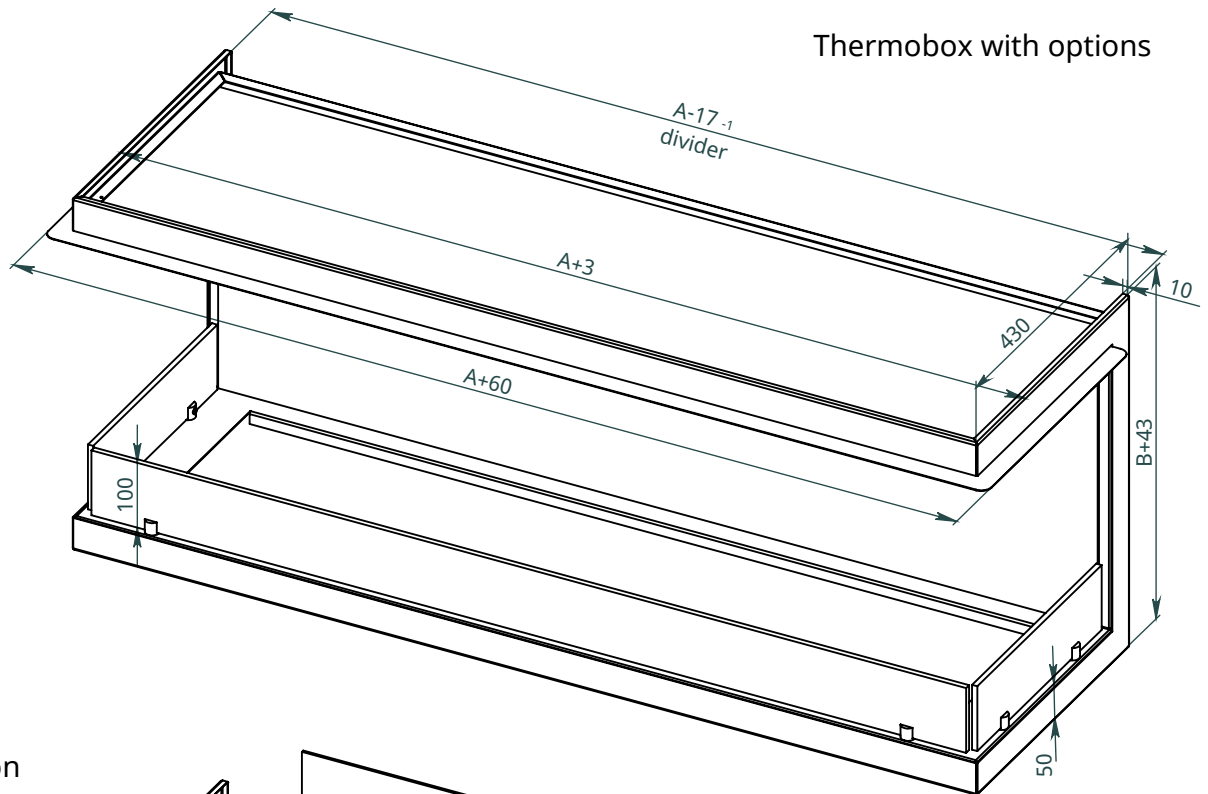
for fireplaces Chalet-II
Installation instructions





	Thermobox			Fireplace	
	A	B	C	X	Y
Model	Length of thermobox	Height of thermobox	Depth of thermobox	Max. length of the fireplace	Width of the fireplace
C2-TTS-800	800	500	410	800	320
C2-TTS-900	900			900	
C2-TTS-1050	1050			1100	
C2-TTS-1300	1300			1200	
C2-TTS-1500	1500			1400	

Thermobox with options



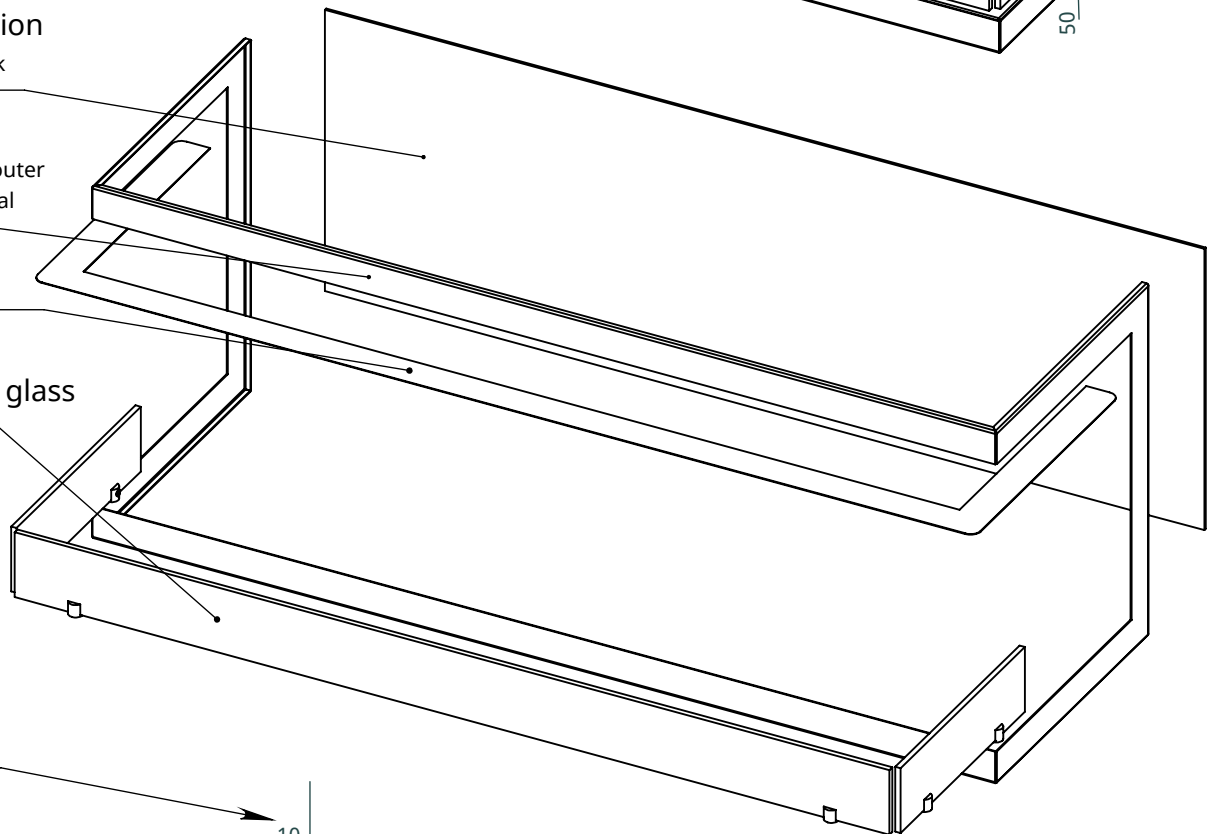
Available options:

RS - Reflection screen (black glossy glass)

F - Frame (outer decorative metal frame)

C - Canopy

LGB - Long glass border



Frame

Canopy

