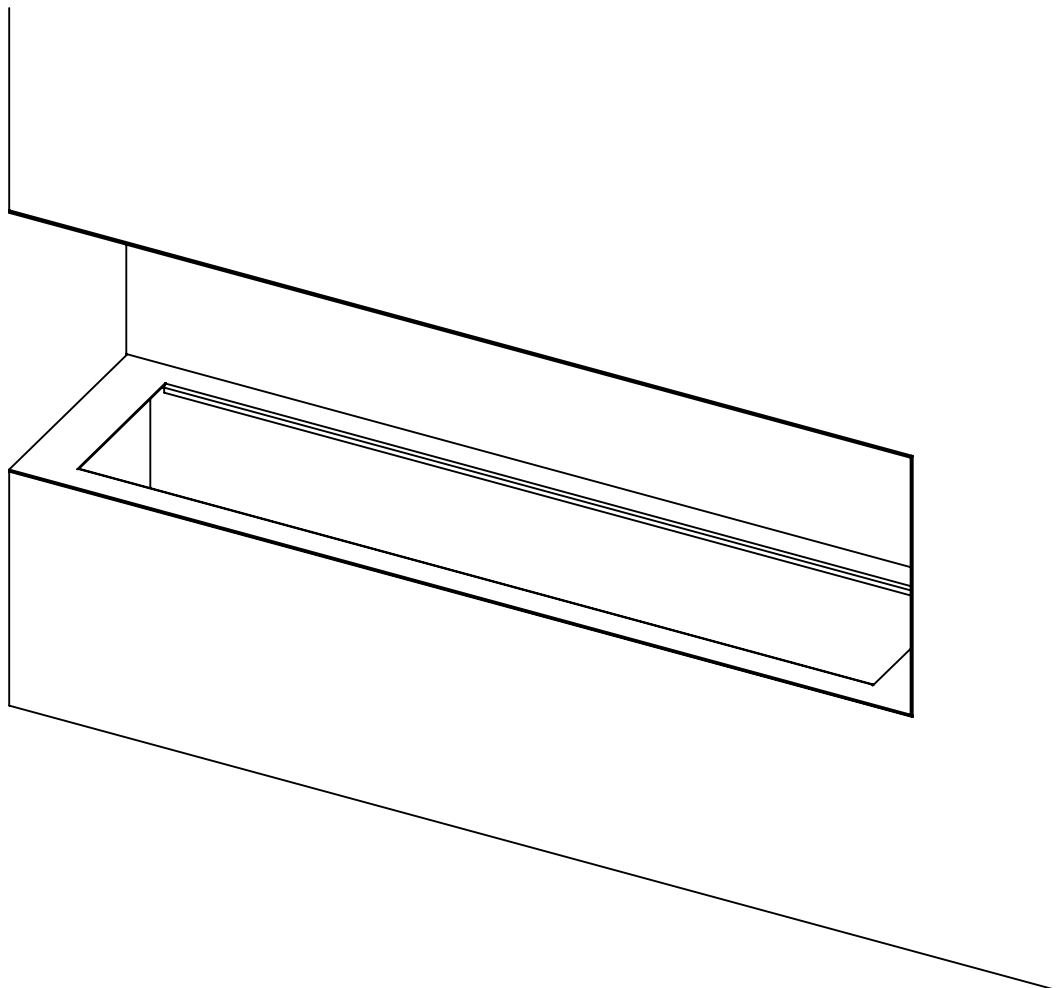
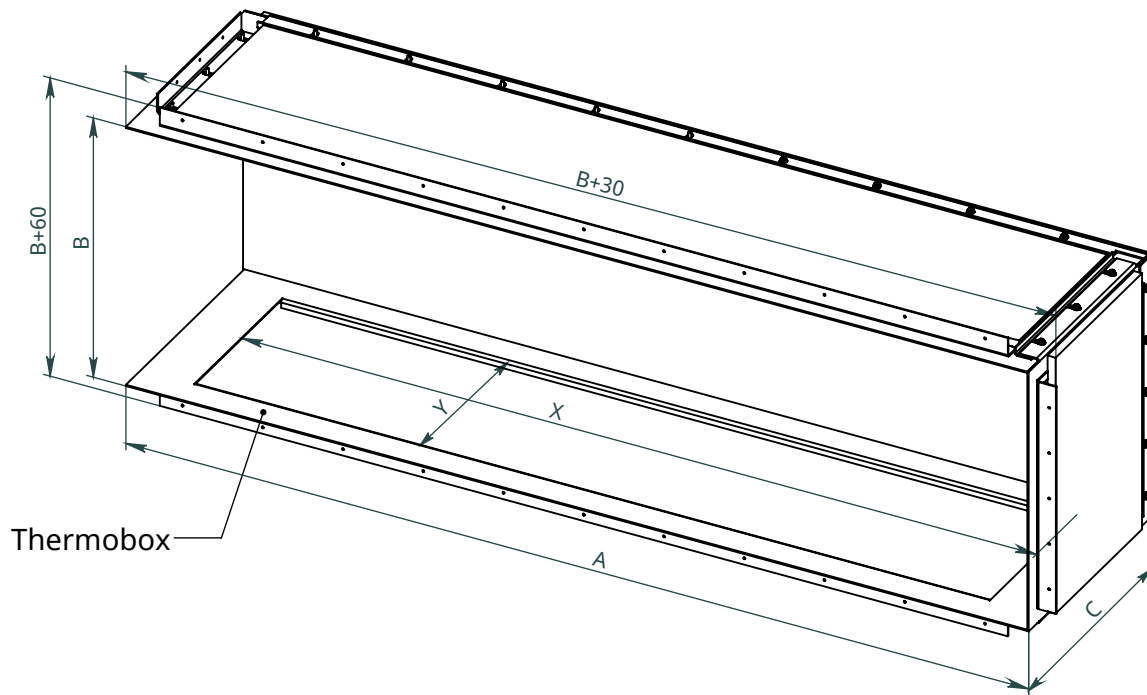


x  
neverdark

## Thermobox Left Corner Hidden Installation (H-TLC)

for fireplaces Automatic, Firetec  
Installation instructions





	Thermobox			Fireplace	
	A	B	C	X	Y
Model	Length of the thermobox	Height of the thermobox	Depth of the thermobox	Burner length	Width of the fireplace
H-TLC-800	800	460	340	700	250
H-TLC-900	900			800	
H-TLC-1100	1100			1000	
H-TLC-1300	1300			1200	
H-TLC-1600	1600			1500	
H-TLC-2200	2200			2000	
H-TLC-2700	2700			2500	

Thermobox with options

Available options:

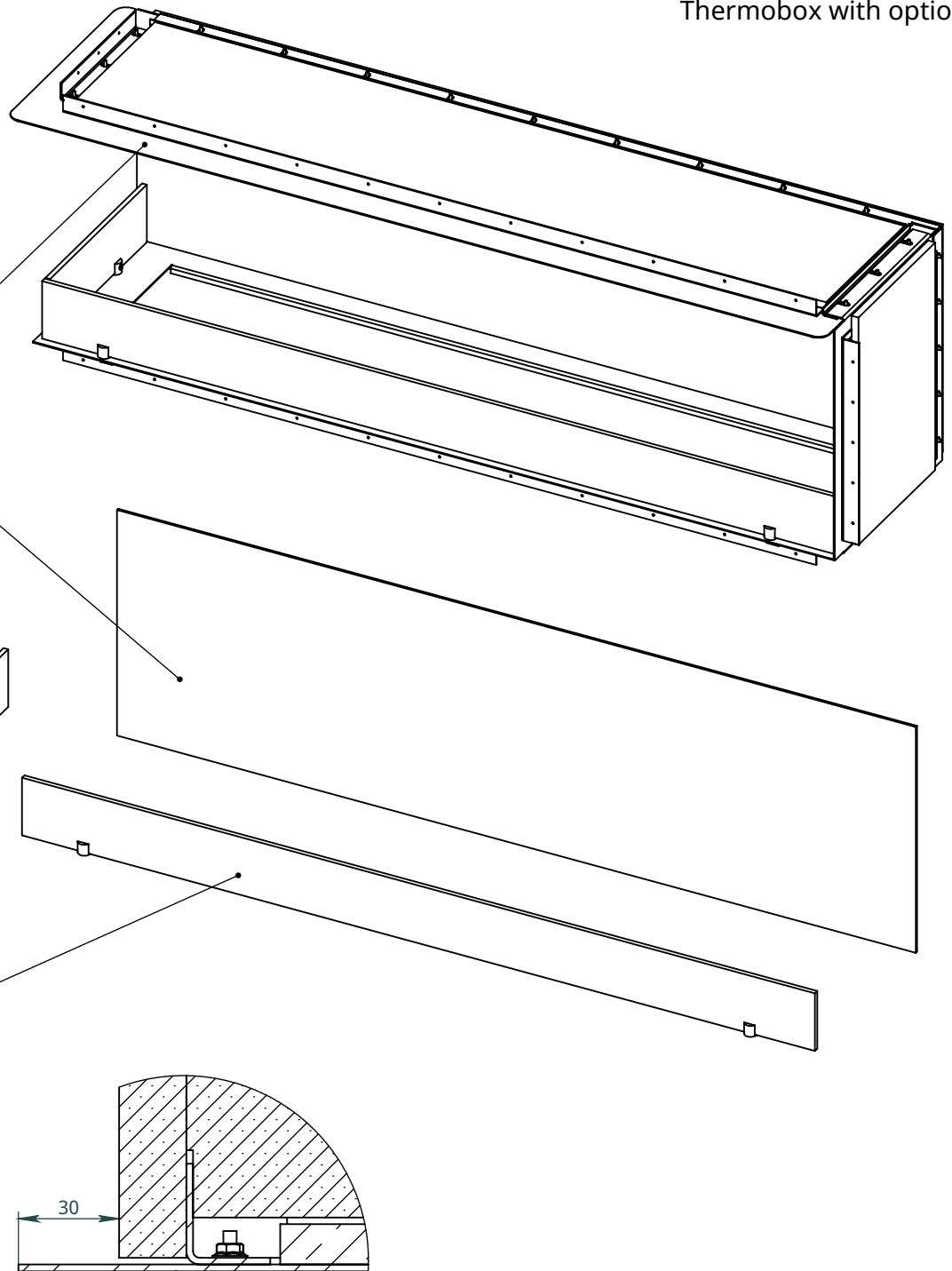
C - Canopy

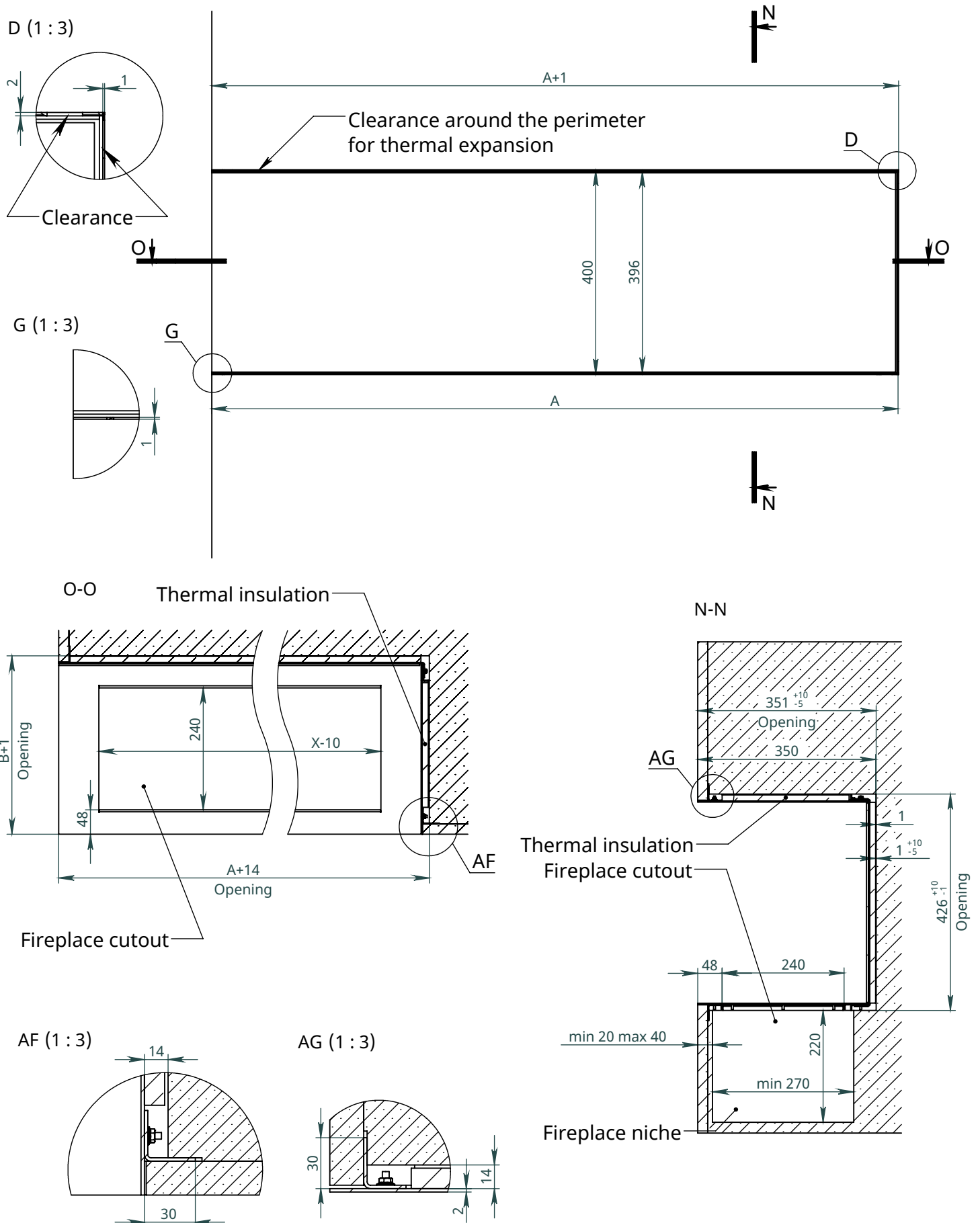
RS - Reflection screen (black glossy glass)

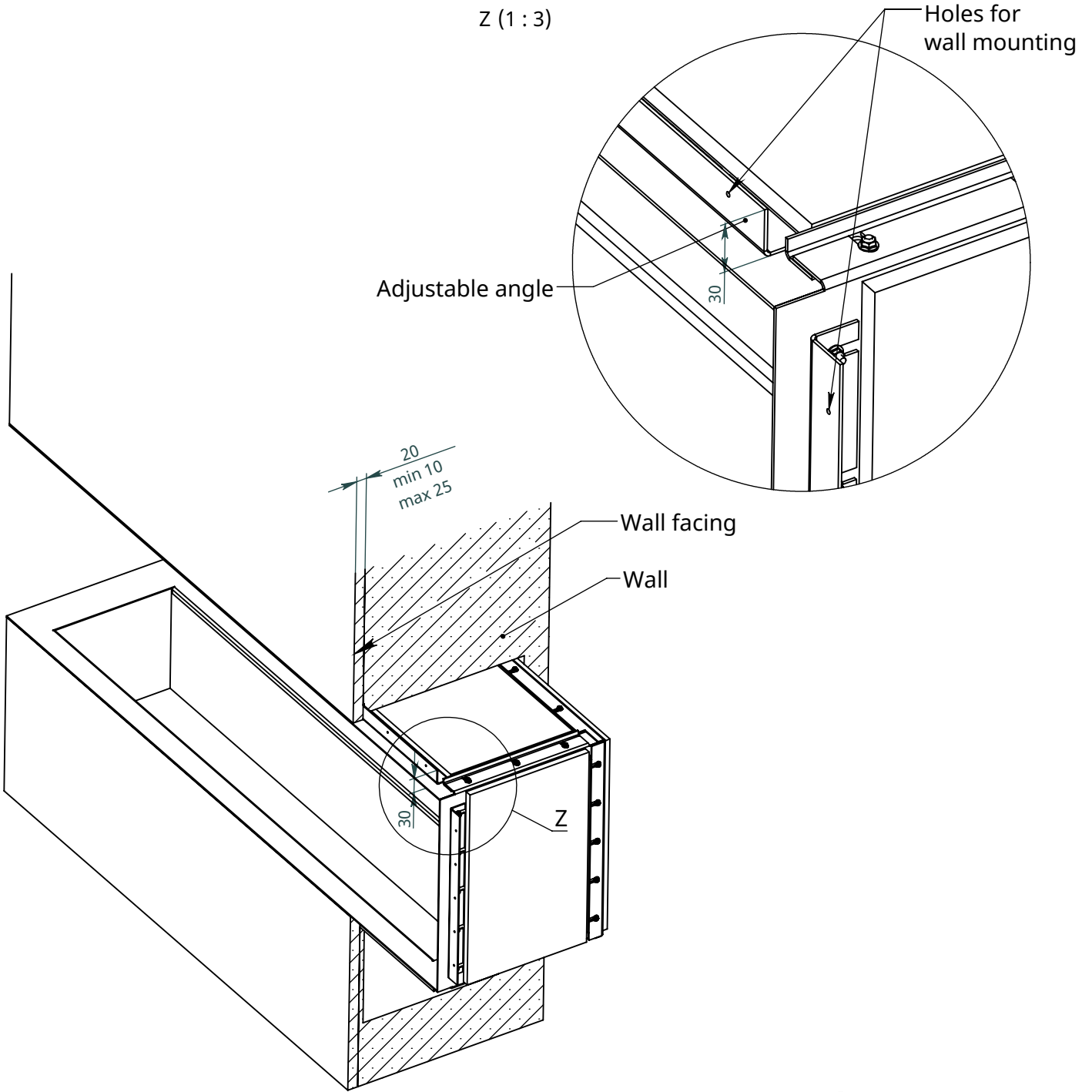
SGB - Short glass border

LGB - Long Glass Border

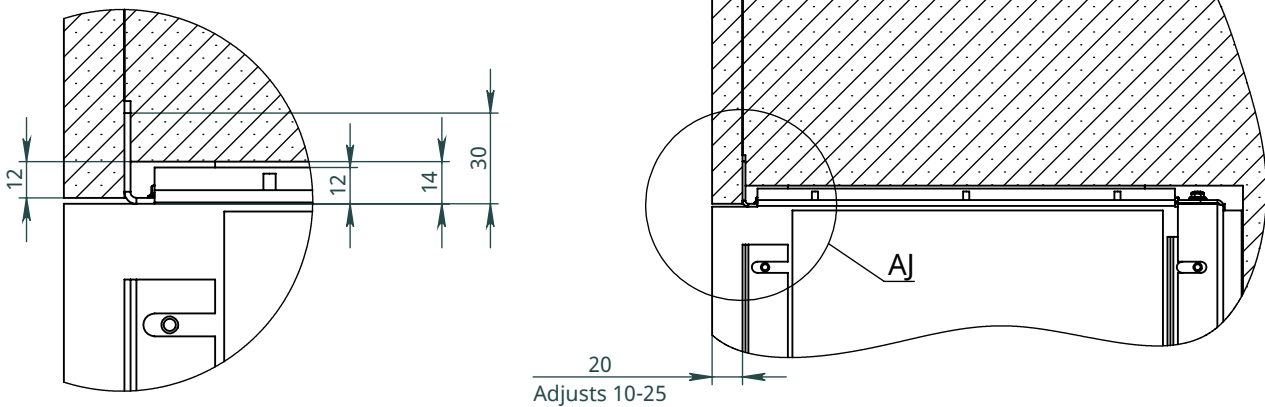
Canopy







AJ (2 : 5)



min 500 mm to  
 flammable objects  
 (curtains or upholstered furniture, etc.)

