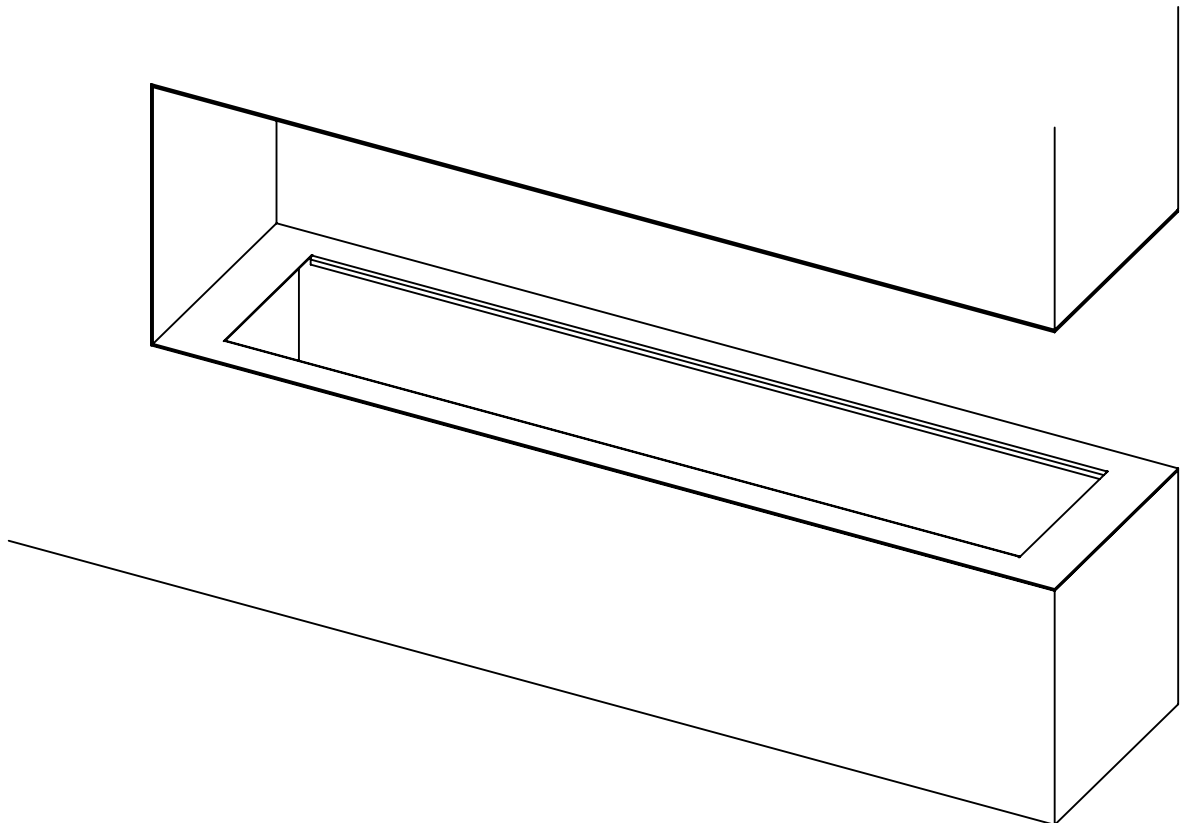
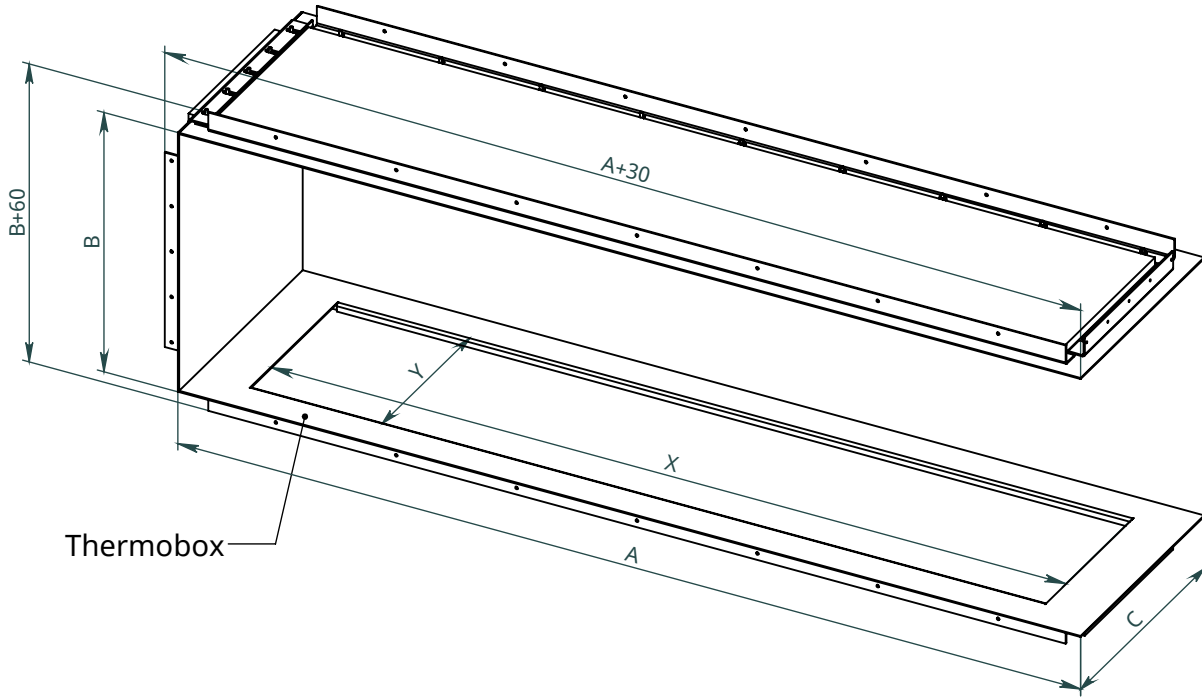


x
neverdark

Thermobox Room Divider Hidden Installation (H-TRD)

for fireplaces Automatic, Firetec
Installation instructions





Model	Thermobox			Fireplace	
	A	B	C	X	Y
	Length of the thermobox	Height of the thermobox	Depth of the thermobox	Burner length	Width of the fireplace
H-TRD-800	800	460	340	700	250
H-TRD-900	900			800	
H-TRD-1100	1100			1000	
H-TRD-1300	1300			1200	
H-TRD-1600	1600			1500	
H-TRD-2200	2200			2000	
H-TRD-2700	2700			2500	

Thermobox with options

Available options:

C -
Canopy

LGB -
Long glass
border

LGB -
Long Glass
Border

SGB - Short glass
border

