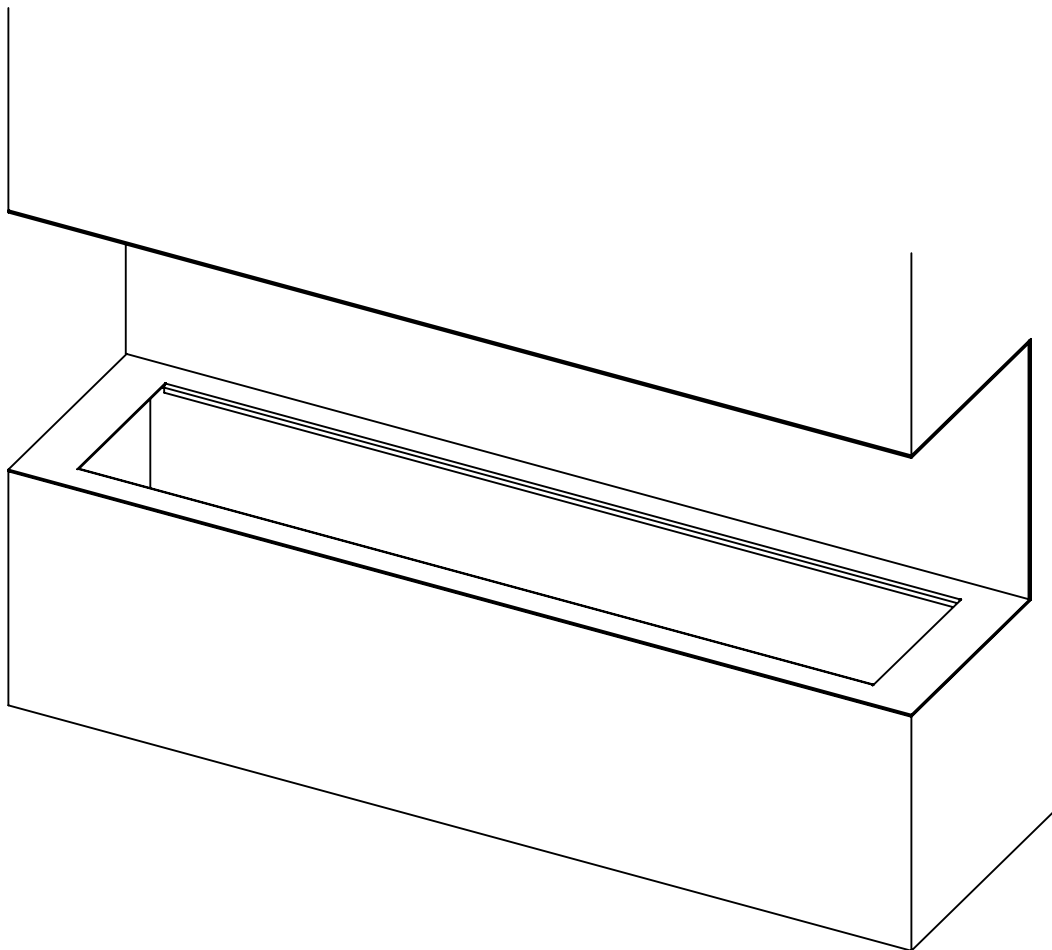
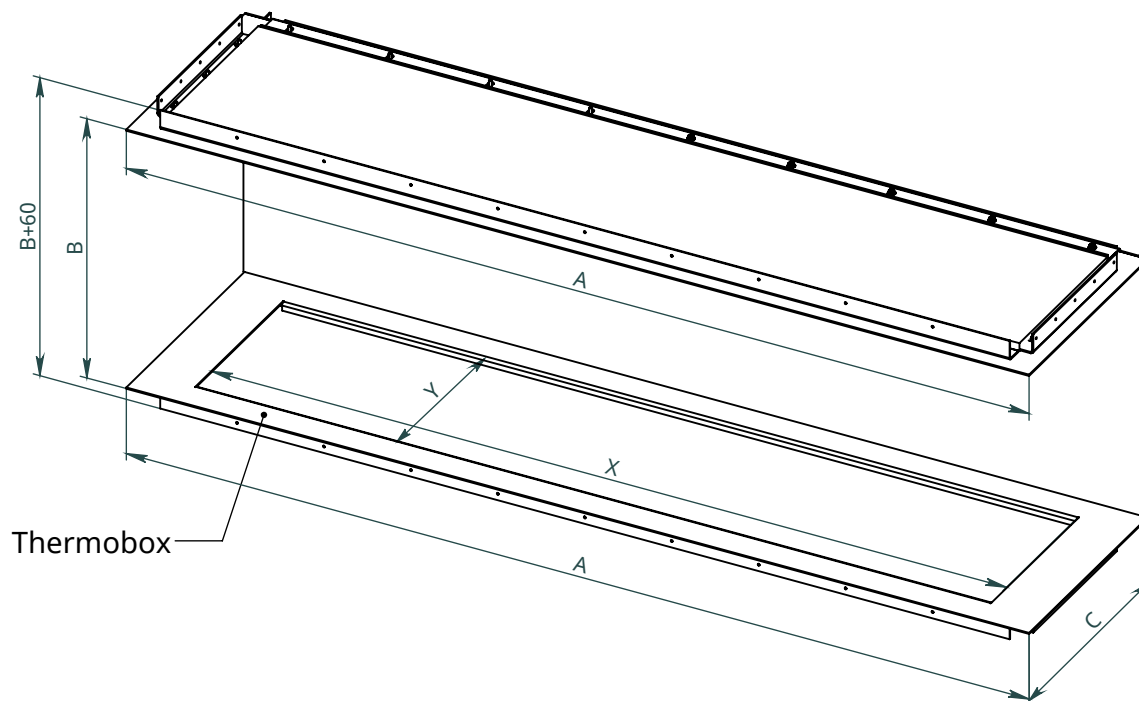


x
neverdark

Thermobox Three-Sided Hidden Installation (H-TTS)

for fireplaces Automatic, Firetec
Installation instructions





	Thermobox			Fireplace	
	A	B	C	X	Y
Model	Length of the thermobox	Height of the thermobox	Depth of the thermobox	Burner length	Width of the fireplace
H-TTS-800	800	460	340	700	250
H-TTS-900	900			800	
H-TTS-1100	1100			1000	
H-TTS-1300	1300			1200	
H-TTS-1600	1600			1500	
H-TTS-2200	2200			2000	
H-TTS-2700	2700			2500	

Thermobox with options

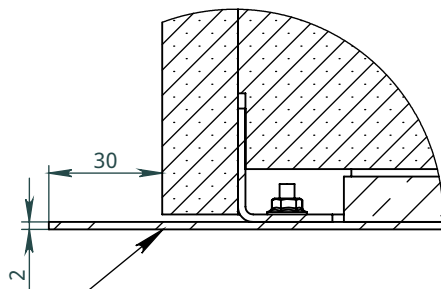
Available options:

C - Canopy

RS - Reflection screen (black glossy glass)

LGB - Long Glass Border

SGB - Short glass border



Canopy

