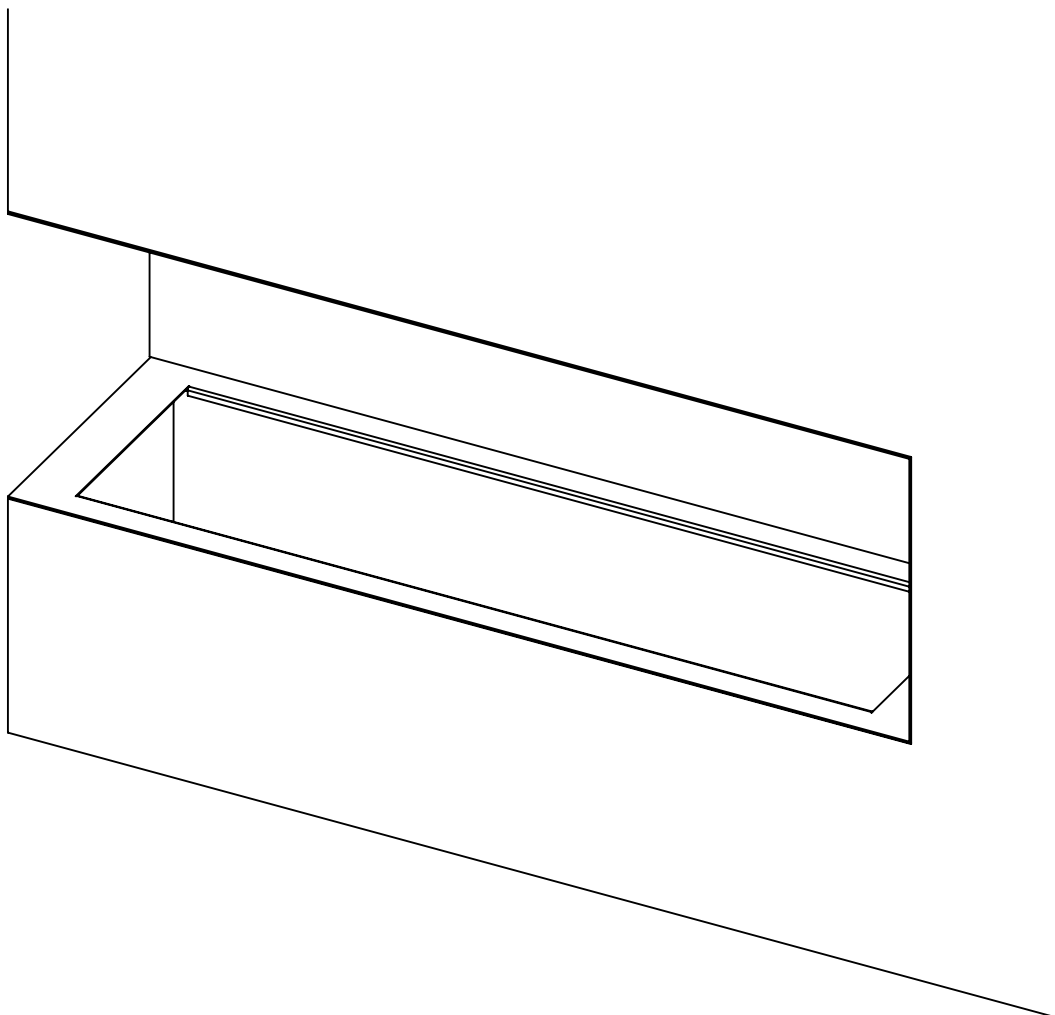
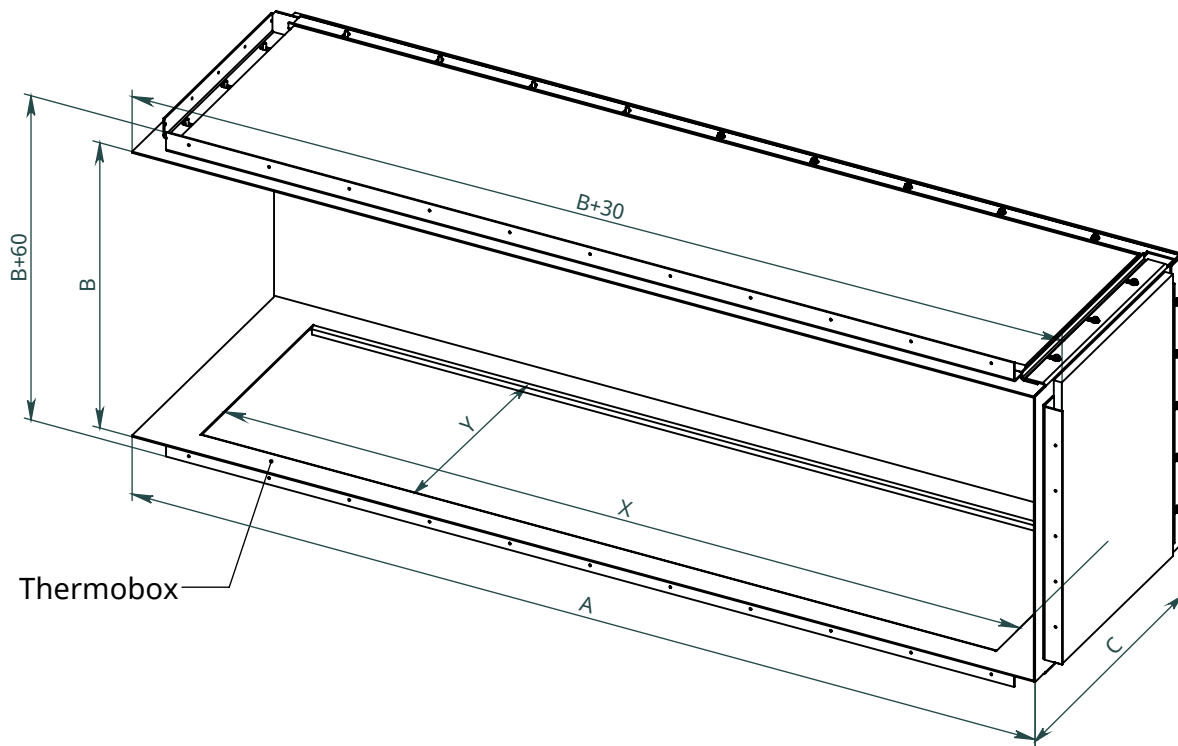


x
neverdark

Thermobox Left Corner Hidden Installation (C2-H-TLC)

for fireplaces Chalet-II
Installation instructions





| | Thermobox | | | Fireplace | |
|---------------|---------------------|---------------------|--------------------|------------------------------|------------------------|
| | A | B | C | X | Y |
| Model | Length of thermobox | Height of thermobox | Depth of thermobox | Max. length of the fireplace | Width of the fireplace |
| C2-H-TLC-800 | 800 | 500 | 410 | 800 | 320 |
| C2-H-TLC-900 | 900 | | | 900 | |
| C2-H-TLC-1050 | 1050 | | | 1100 | |
| C2-H-TLC-1300 | 1300 | | | 1200 | |
| C2-H-TLC-1500 | 1500 | | | 1400 | |

Thermobox with options

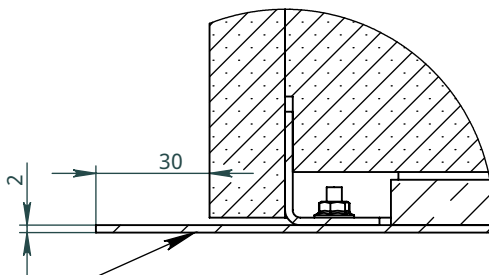
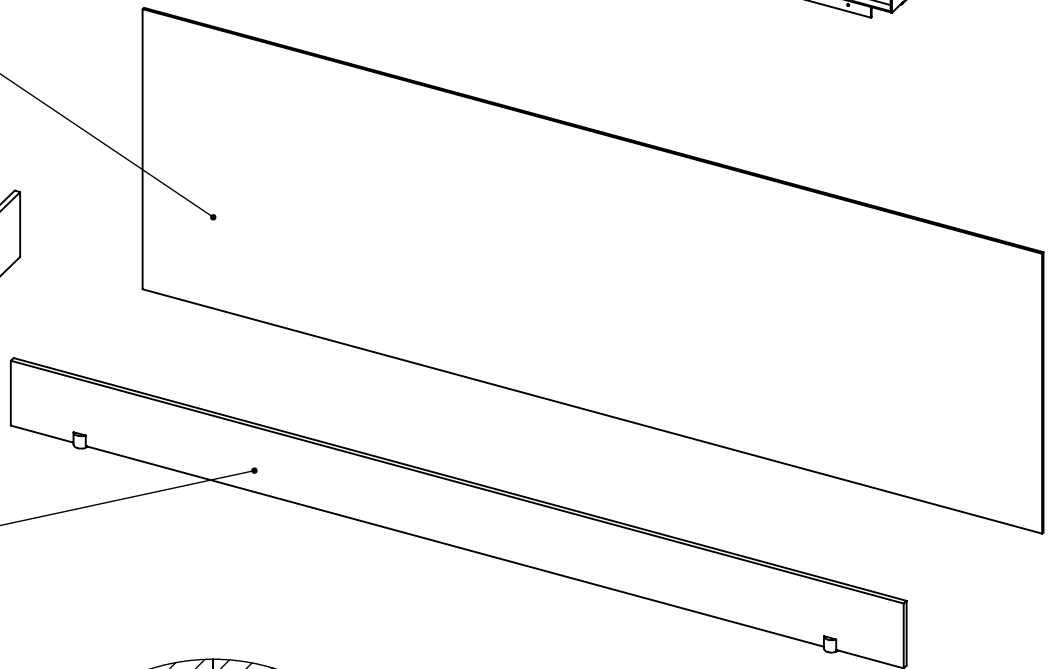
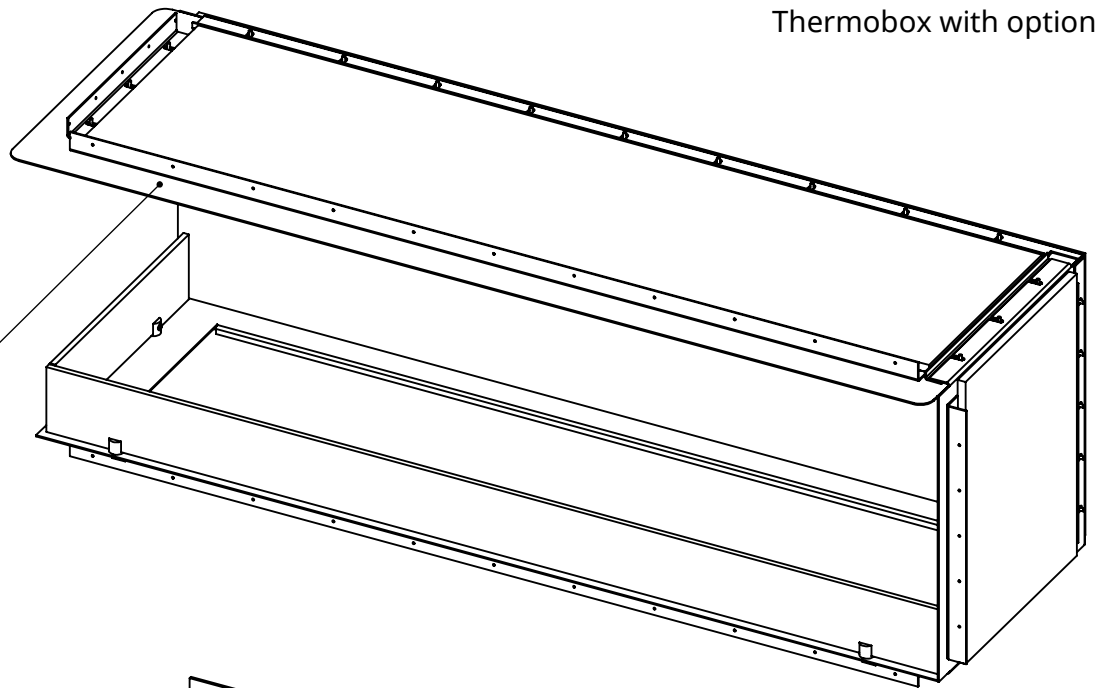
Available options:

C - Canopy

RS - Reflection screen (black glossy glass)

SGB - Short glass border

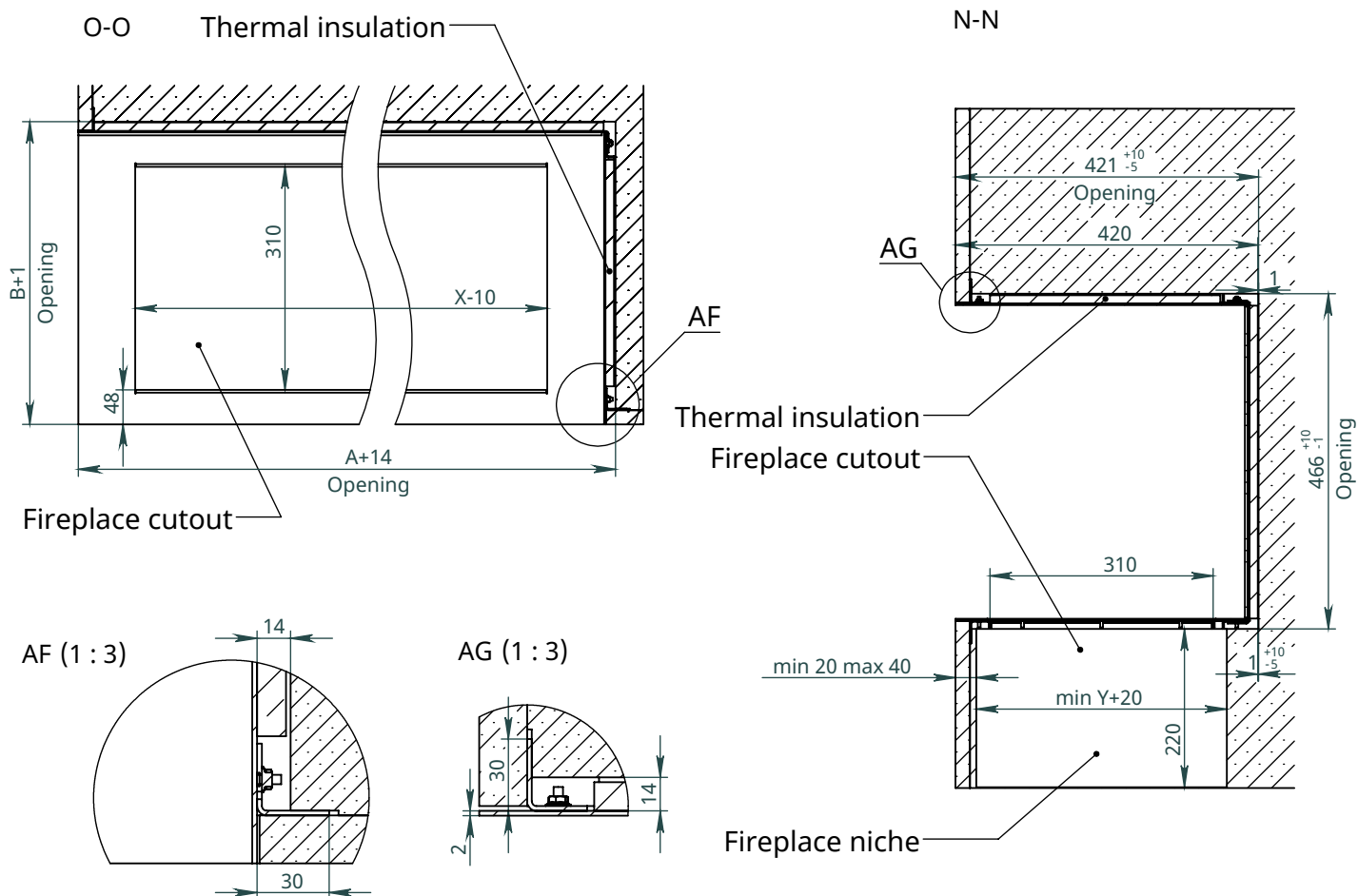
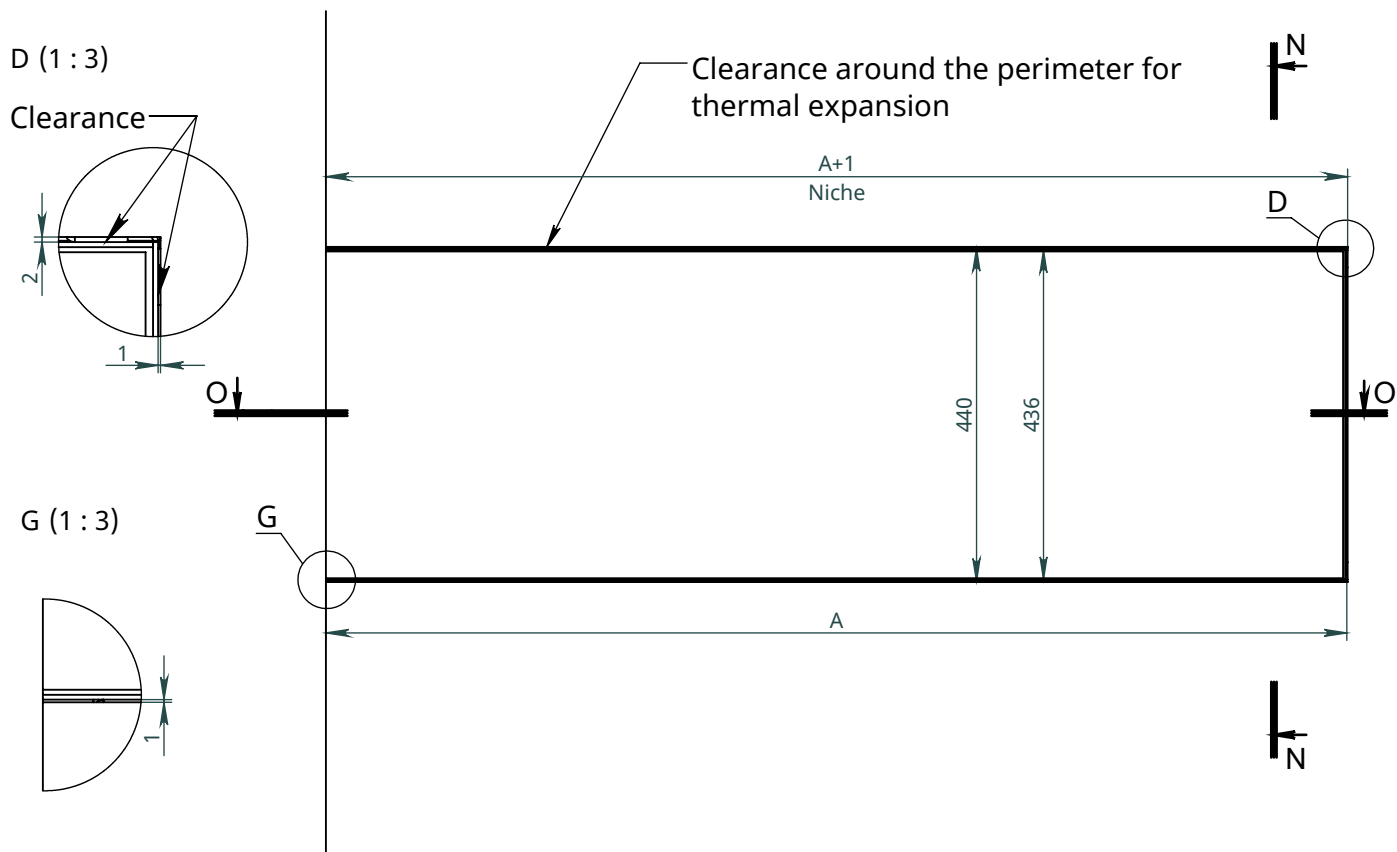
LGB - Long Glass Border

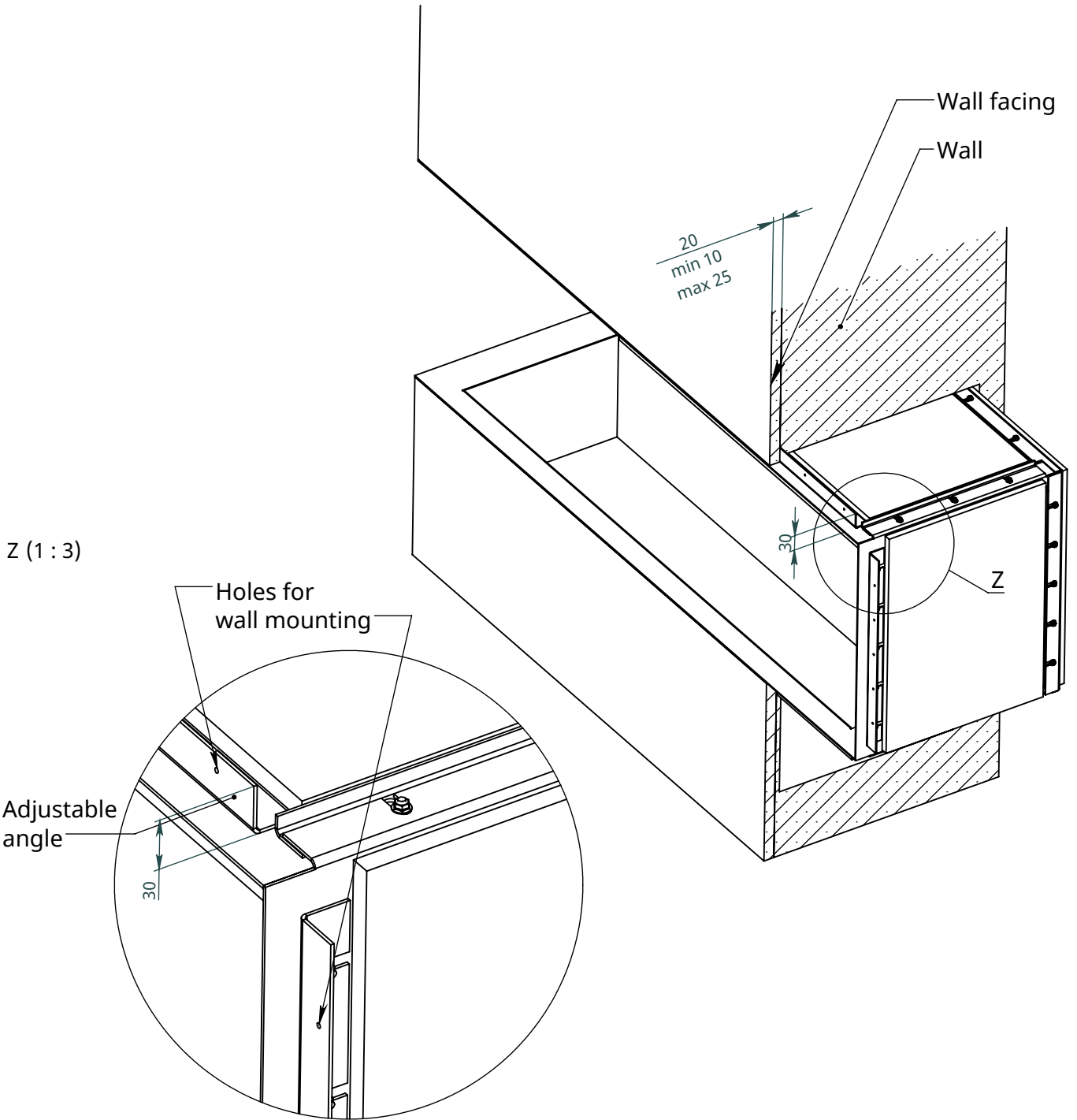


Canopy

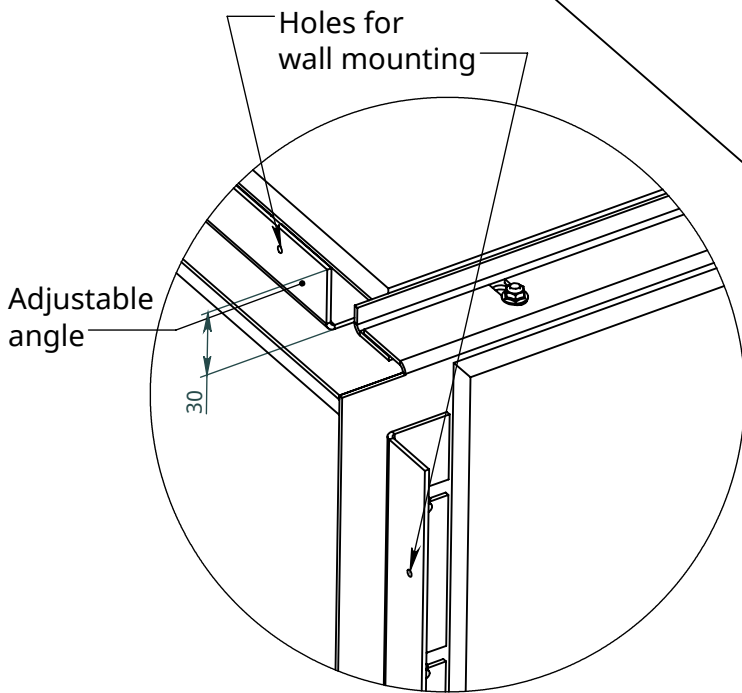
NEVERDARK Hidden Installation
 Thermobox Left Corner for Chalet-II
 (C2-H-TLC)

Dimensions

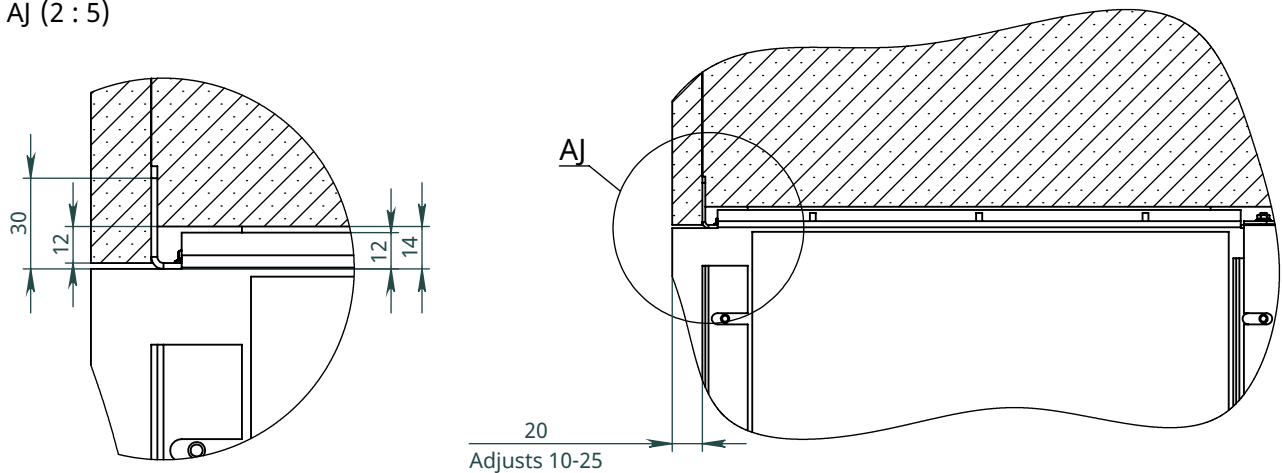




Z (1 : 3)



AJ (2 : 5)



NEVERDARK Hidden Installation
Thermobox Left Corner for Chalet-II
(C2-H-TLC)

Niche

