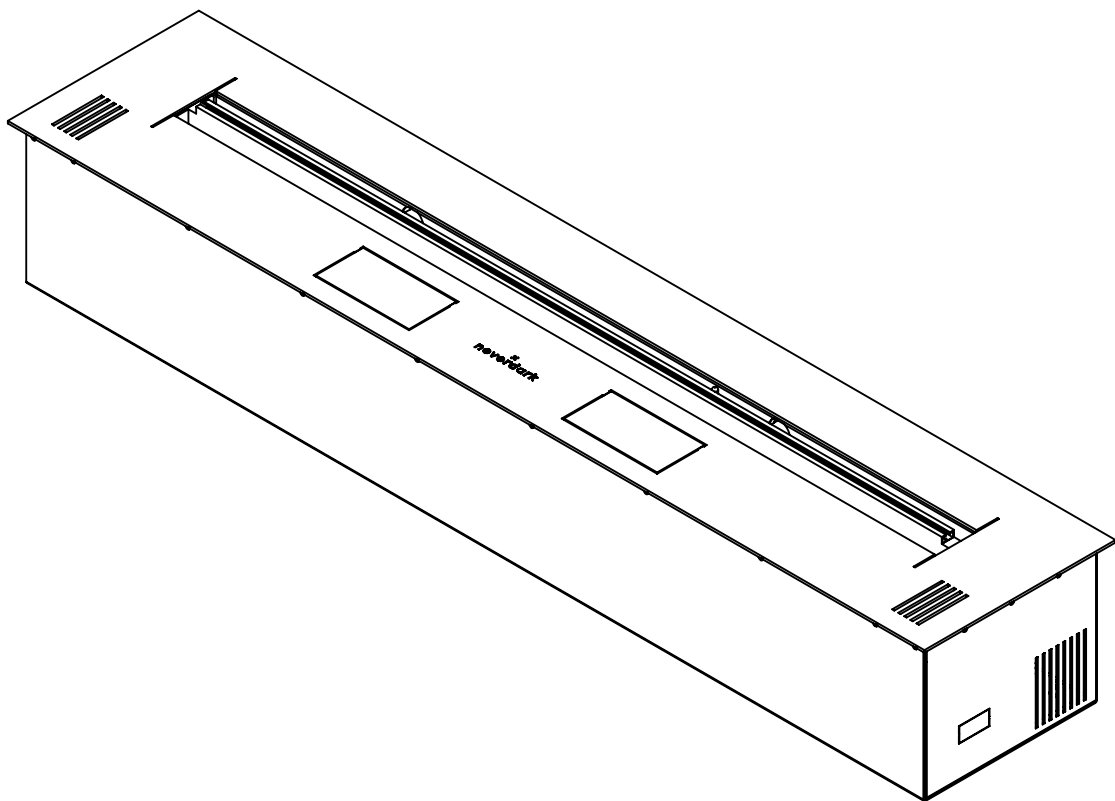
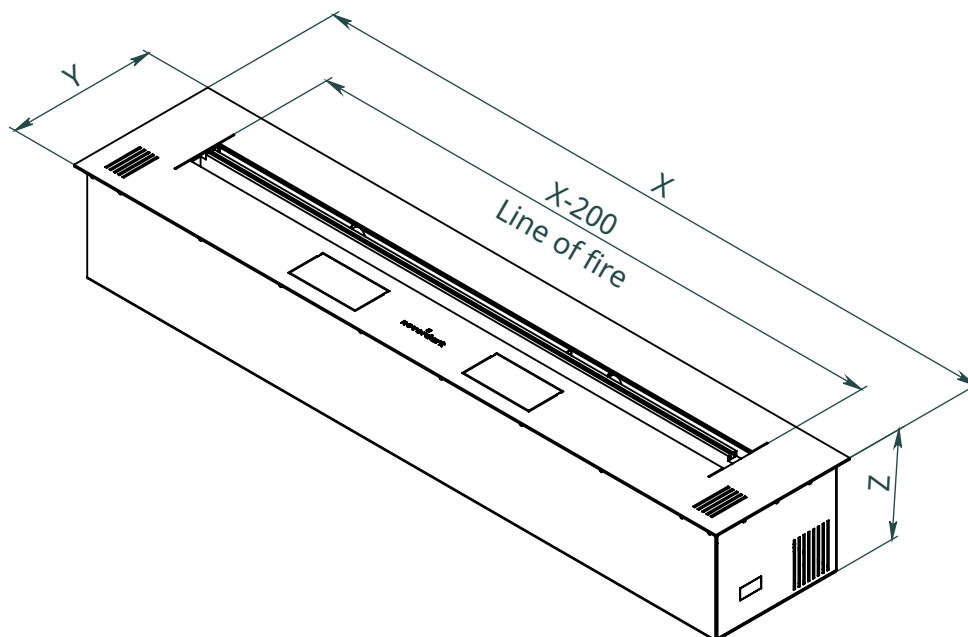


x
neverdark

Smart fireplace
AUTOMATIC
(A)

Technical documentation

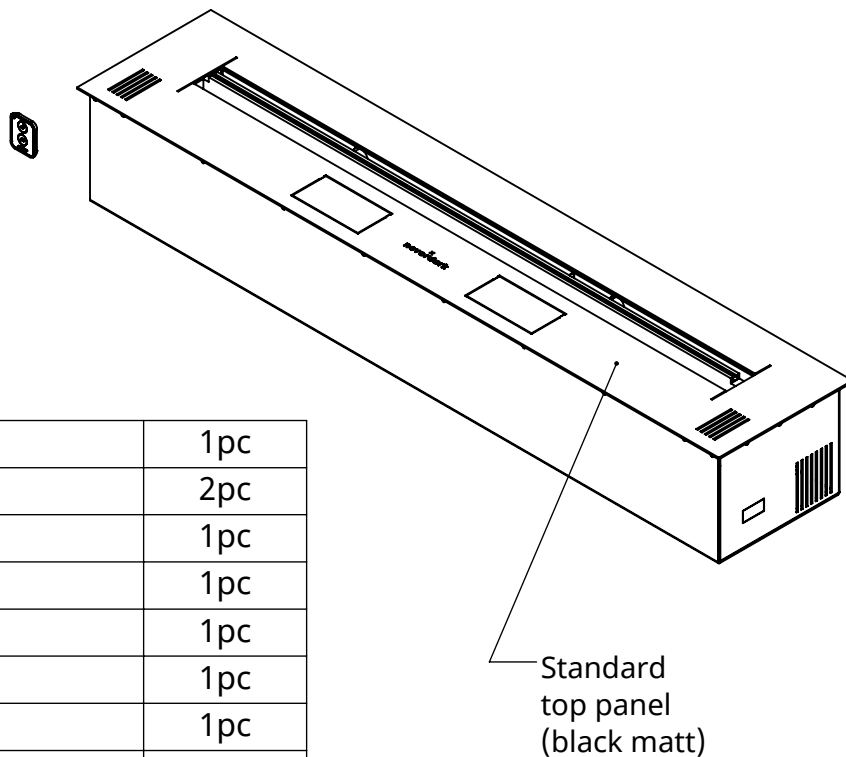




		X	Y	Z	
Model	Code	Length, mm	Width, mm	Height, mm	Weight, kg
Automatic 700	A7	700	250	185	20,5
Automatic 1000	A10	1000			26
Automatic 1200	A12	1200			29
Automatic 1500	A15	1500			32,3
Automatic 2000	A20	2000			48
Automatic 2500	A25	2500			53

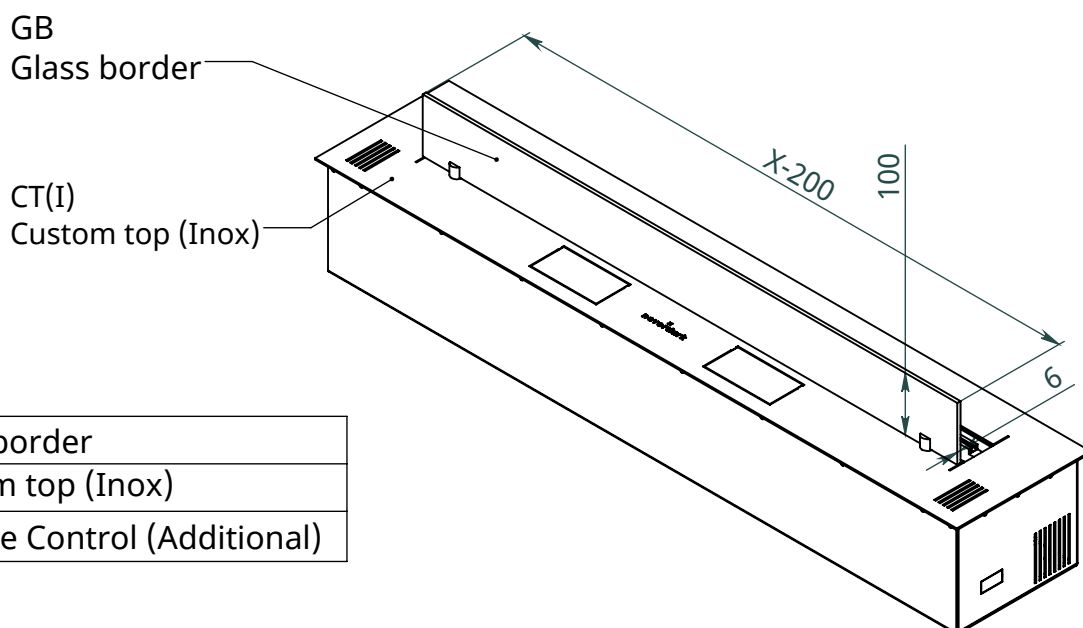
- Automatic bioethanol fireplace Automatic
- Manufacturer: Neverdark LLC, Ukraine
- This document is a part of the device
- For decorative and domestic use only

Standard configuration

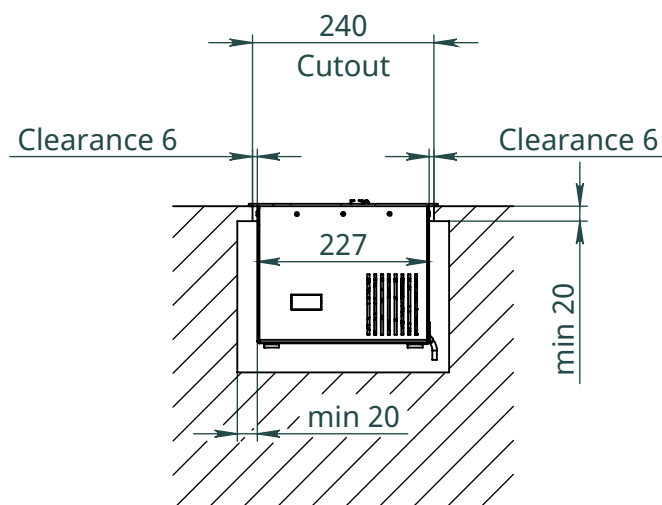
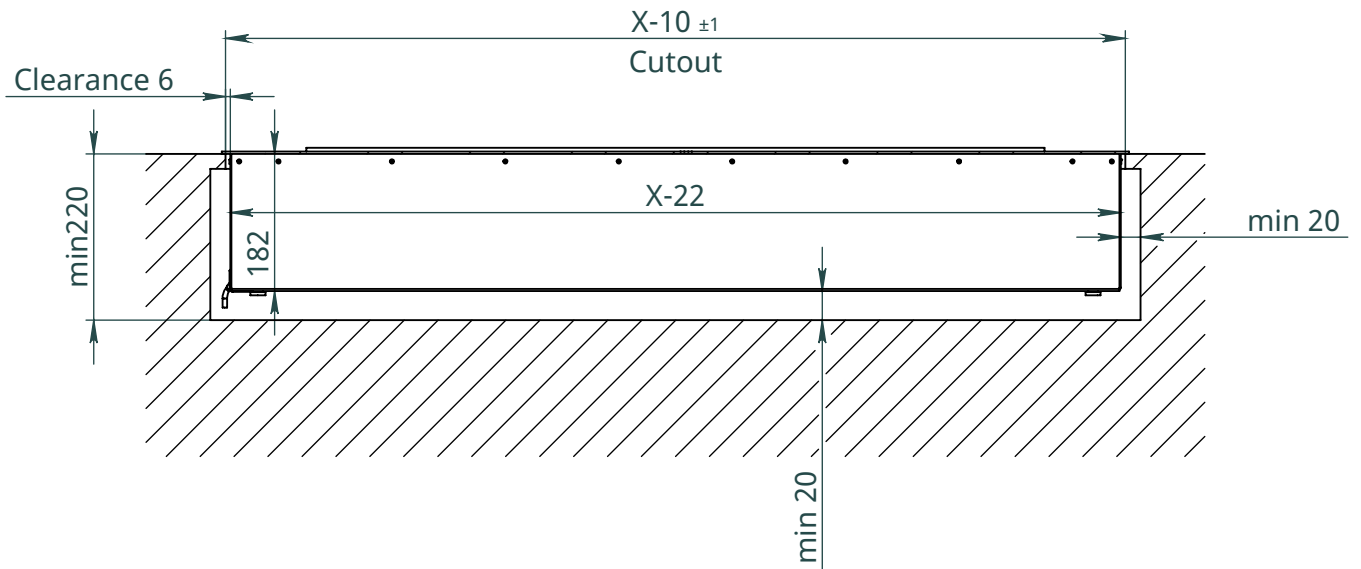
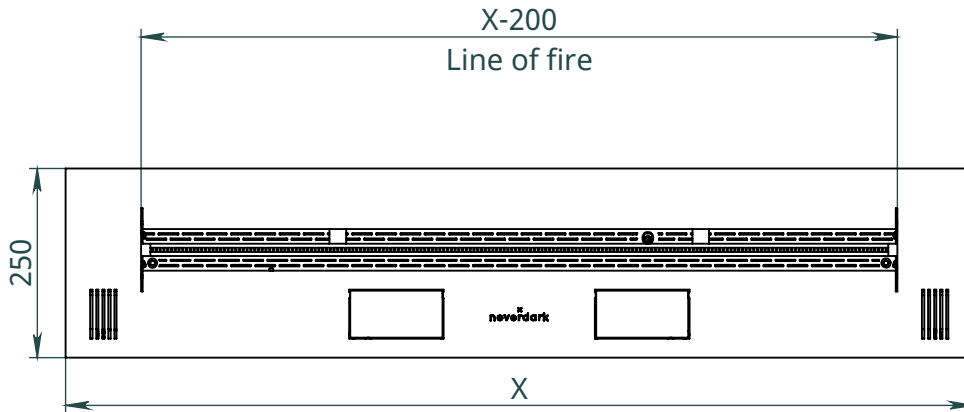


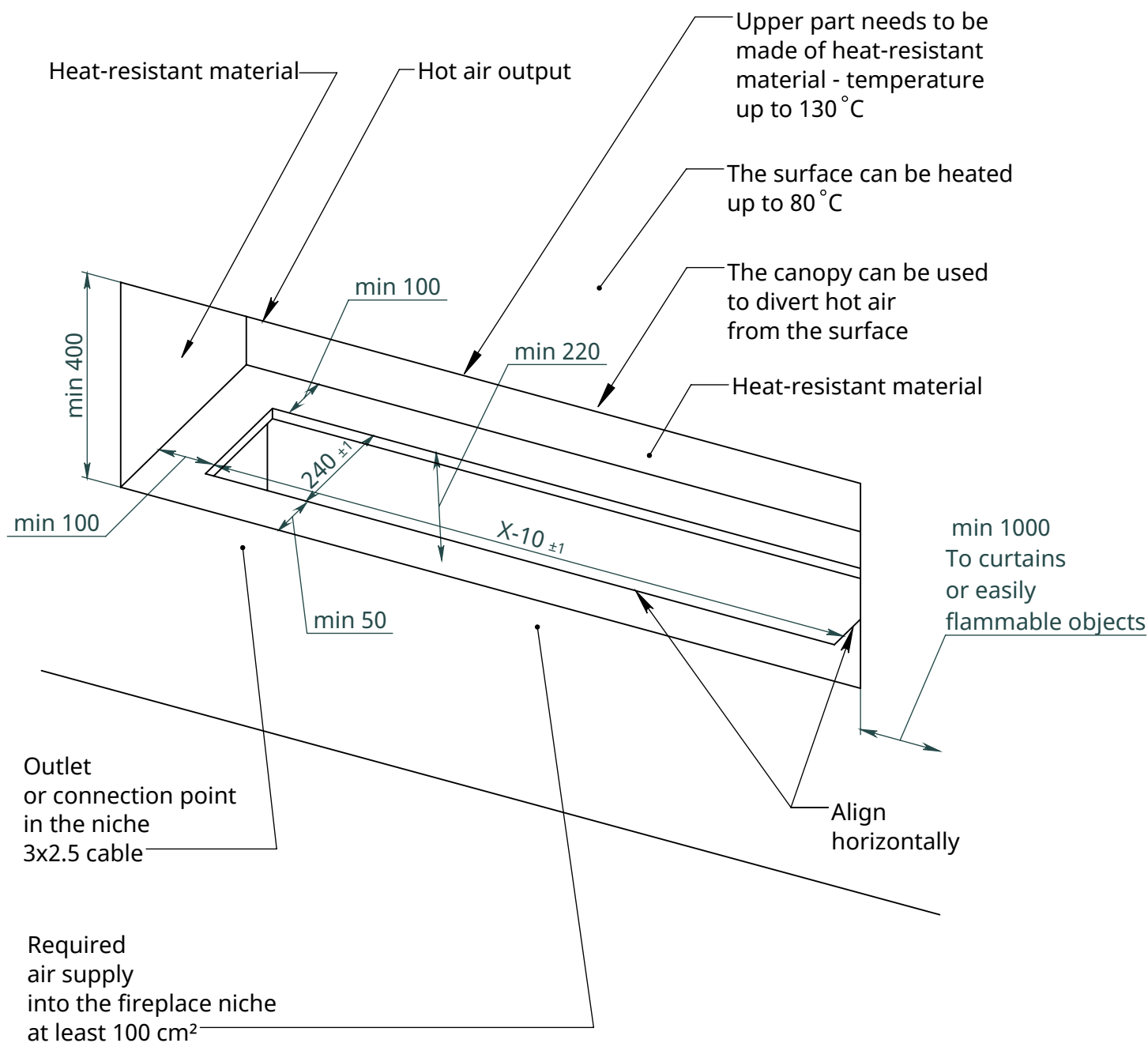
Fireplace	1pc
Handles for mounting	2pc
Power cord with plug (euro)	1pc
Fuel funnel	1pc
Remote Control	1pc
Instructions	1pc
Warranty card	1pc
Micro USB cable (service only)	1pc
Packaging	1pc

Available options



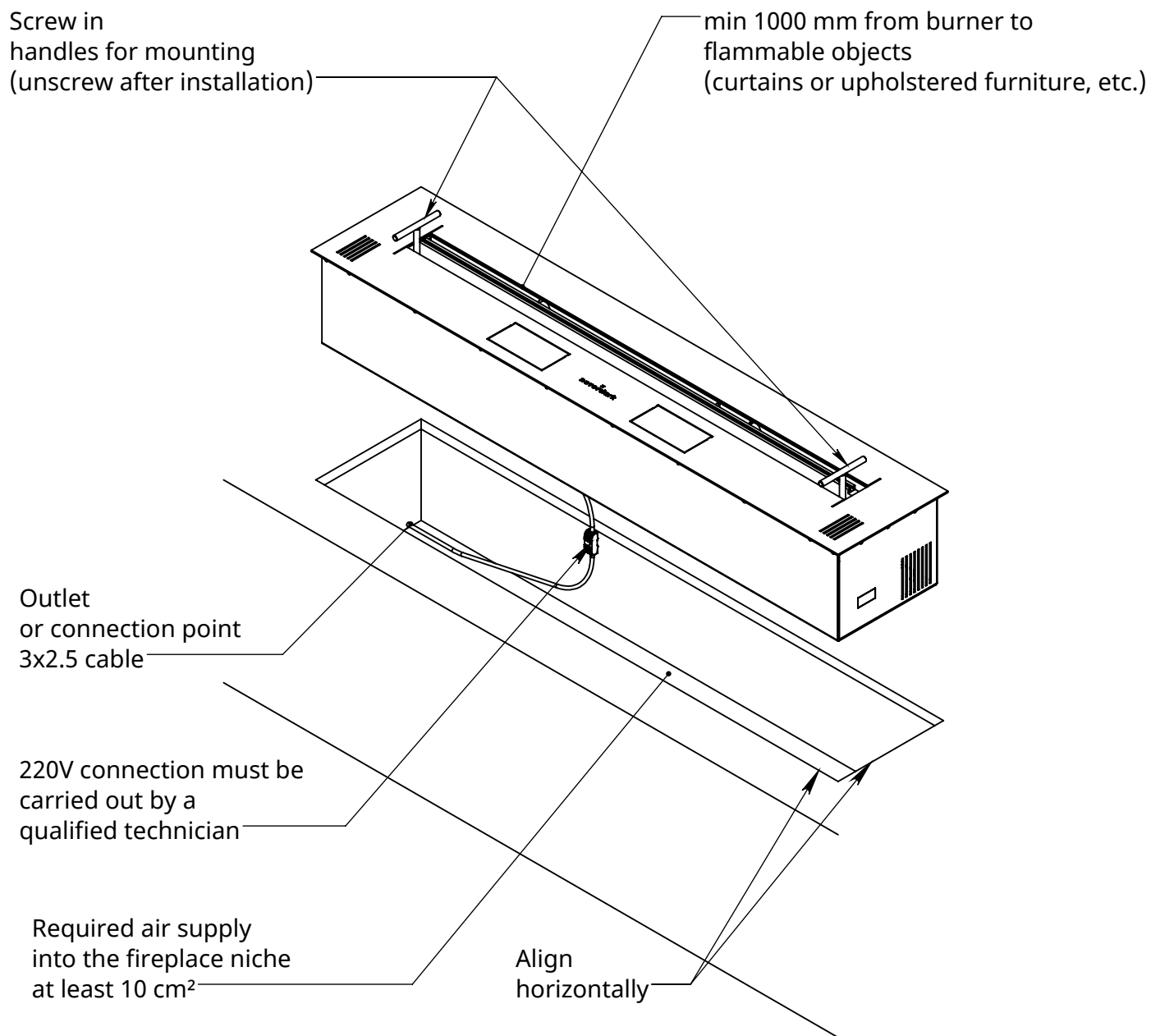
GB	Glass border
CT(I)	Custom top (Inox)
RC	Remote Control (Additional)





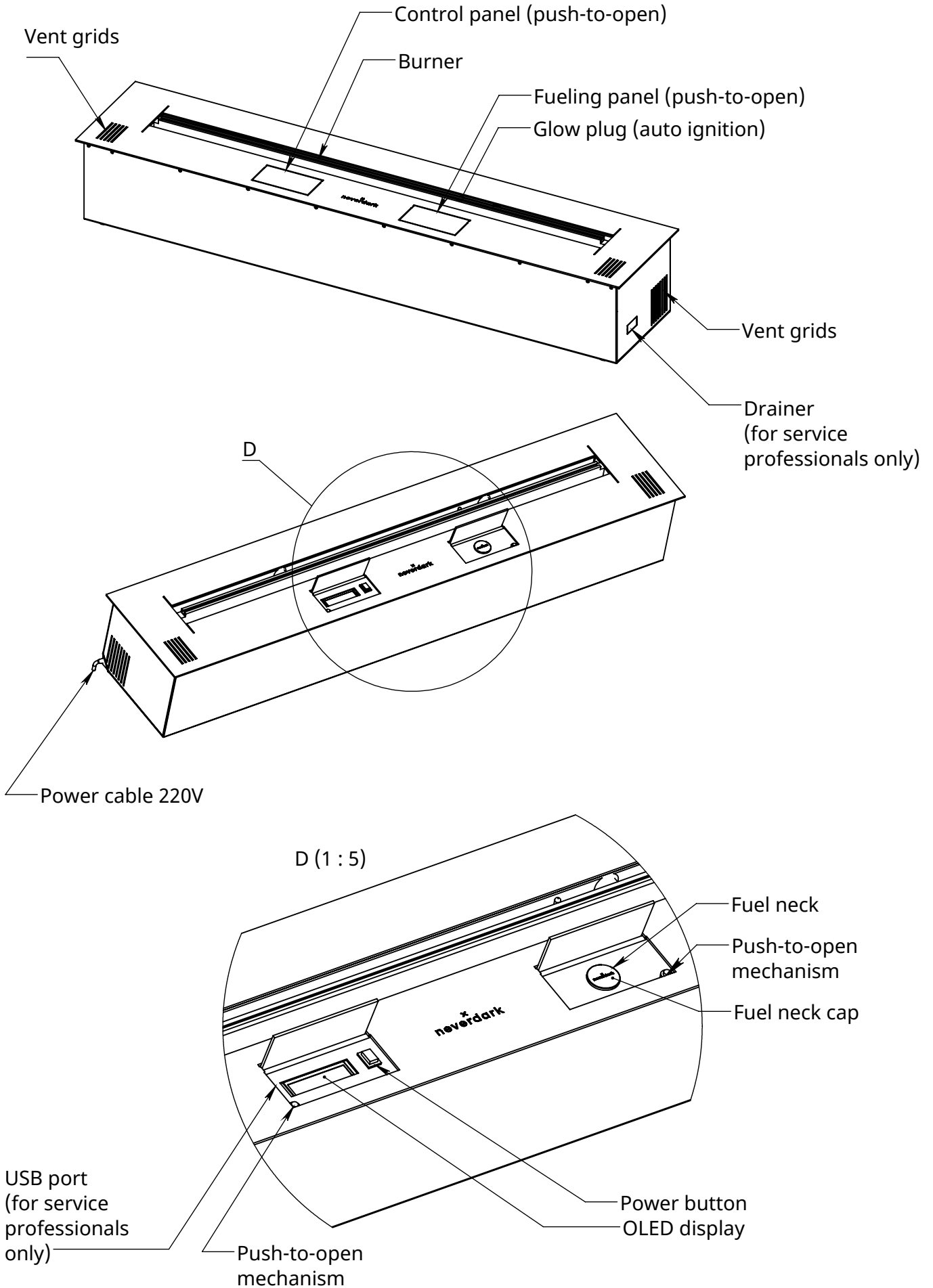
WARNING!

The manufacturer does not recommend placing objects above or next to the fireplace that are sensitive to high temperatures, as this can significantly shorten their service life. If the technical documentation were not followed, the manufacturer is not responsible for any damage to objects above or next to the fireplace resulting from exposure to high temperatures.



WARNING!

- Installation of the fireplace not on a horizontal level can lead to malfunction of the fireplace and possible fuel spillage;
- Only a qualified specialist should connect the cable to the power grid;
- The fireplace must be mounted in the prepared niche by holding the previously installed handles for installation, then the handles must be removed (unscrewed) and not used during the operation of the fireplace;
- If it is necessary to remove the fireplace from the niche, reinstall the installation handles;
- Ensure that the product is correctly installed and read the user manual supplied with it;
- Do not fill the fuel tank and do not turn on the fireplace without first reading the user manual;
- If it becomes necessary to remove the fireplace from niche, wait until the fuel has burned out completely and the display shows the message that the tank is empty, then disconnect the fireplace from the power supply and remove it from the niche.



Parameters	Fireplace model					
	Automatic 700	Automatic 1000	Automatic 1200	Automatic 1500	Automatic 2000	Automatic 2500
Tank volume, l	2	3,1	4	5,3	7,2	9,2
Consumption, l / h (Min / Max)	0,4 / 0,7	0,6 / 1	0,8 / 1,3	1 / 1,7	1,4 / 2,3	1,8 / 3
Average consumption, l / h (Min / Max)	0,6	0,8	1,1	1,4	1,9	2,4
Burning time, h (Min / Max)	2,9 / 5,0	3,1 / 5,2	3,1 / 5,0	3,1 / 5,3	3,1 / 5,1	3,1 / 5,1
Room size*, m ² (Min / Recommended)	19 / 48	27 / 68	35 / 88	46 / 116	62 / 156	81 / 204
Maximum power consumption, kW	0,55	0,55	0,90	0,90	1,25	1,25
Heat power, kW (Min / Max)	2,6 / 4,6	3,9 / 6,5	5,2 / 8,5	6,5 / 11,1	9,1 / 15,0	11,7 / 19,5
Air consumption, m ³ /h (Min / Max)	0,7 / 1,3	1,1 / 1,9	1,5 / 2,4	1,9 / 3,1	2,6 / 4,3	3,3 / 5,6
CO ₂ release, m ³ /h (Min / Max)	0,3 / 0,6	0,5 / 0,8	0,6 / 1,0	0,8 / 1,4	1,1 / 1,8	1,4 / 2,4

* Using a ventilation system

- Keep away from children;
- Ensure that the wall/table/floor on which you place the appliance can support its weight;
- Install only in a place protected from draughts;
- Do not cover top and side ventilation grids;
- Do not place flammable objects on the appliance;
- Keep a carbon dioxide fire extinguisher within sight;
- The use of a separate line with a fuse and/or circuit breaker is compulsory;
- For comfortable use of the fireplace it is necessary to ensure the supply of fresh air into the room and a removal of combustion products. It can be a ventilation extractor, recuperator or an opened window;
- Keep these installation instructions for the life of the fireplace.