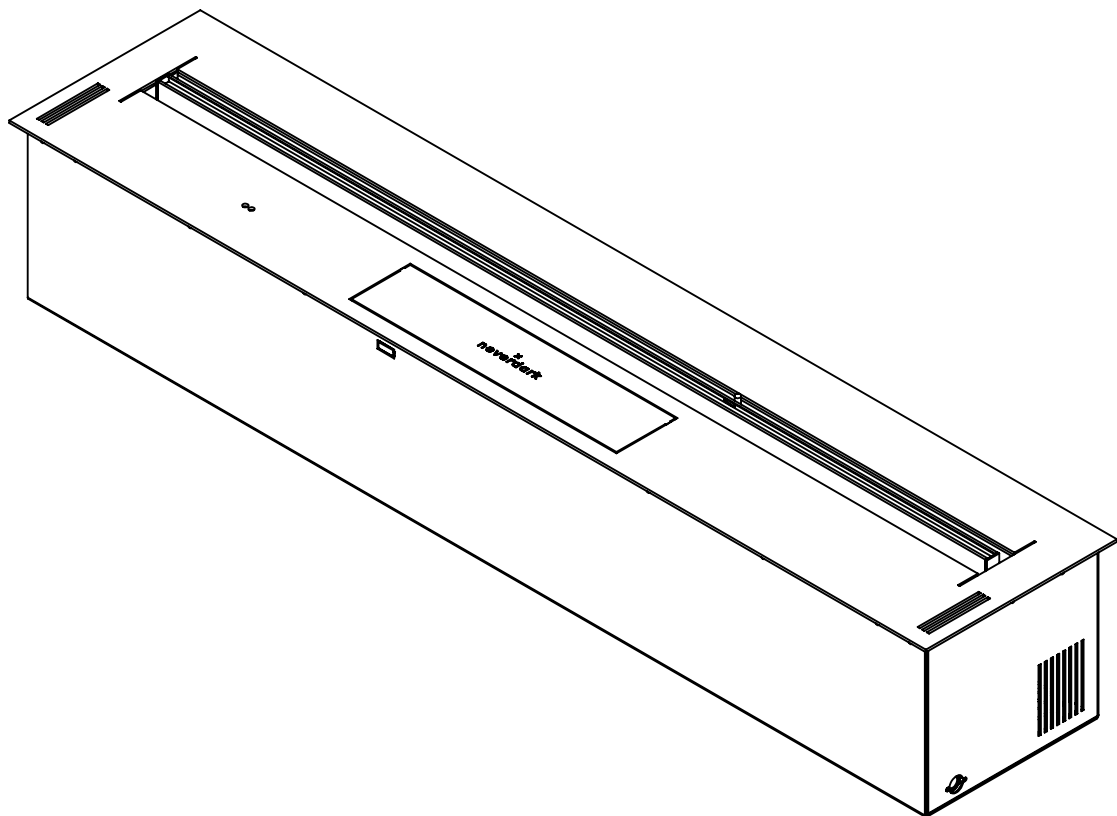
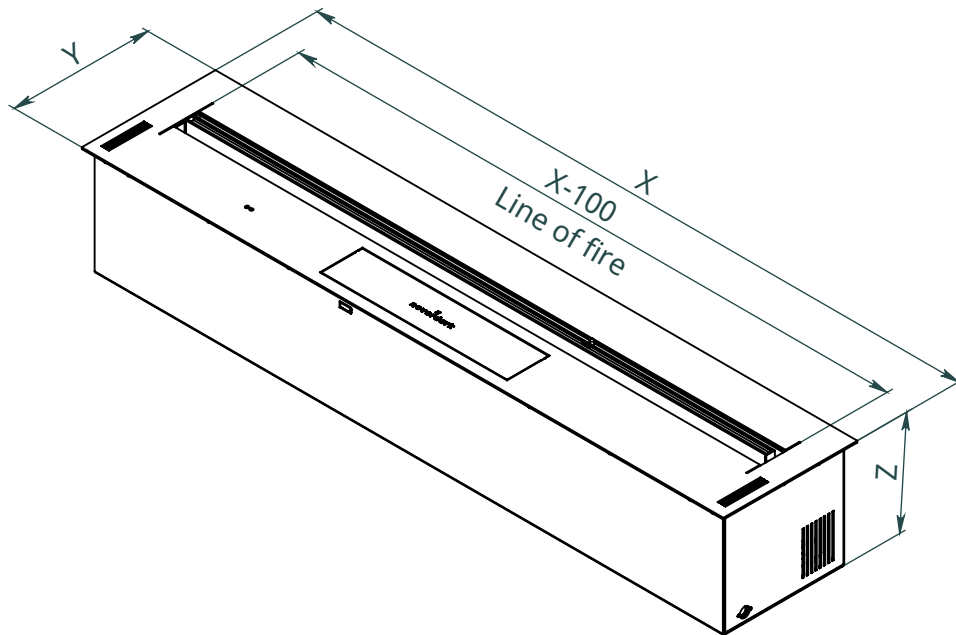


x
neverdark

Smart fireplace
FIRETEC
(F)

Technical documentation

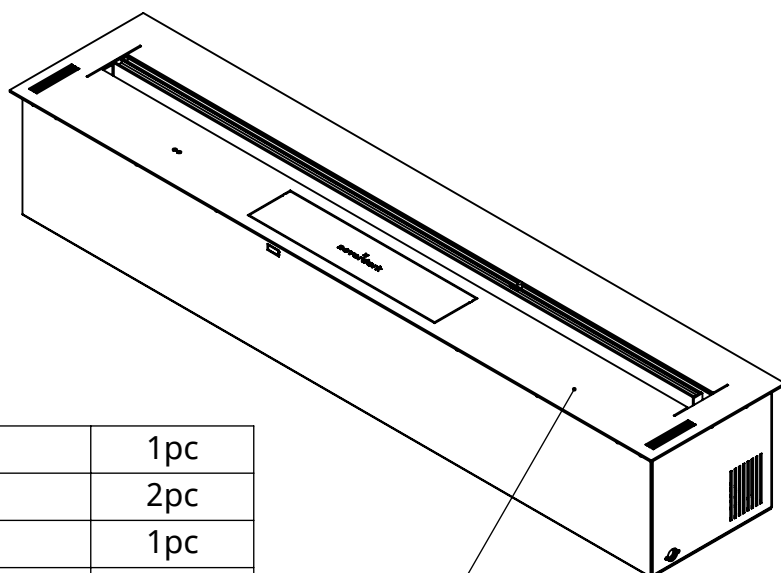




| | | X | Y | Z | |
|--------------|------|------------|-----------|------------|------------|
| Model | Code | Length, mm | Width, mm | Height, mm | Weight, kg |
| Firetec 700 | F7 | 700 | 250 | 205 | 20.5 |
| Firetec 800 | F8 | 800 | | | 21.1 |
| Firetec 1000 | F10 | 1000 | | | 26 |
| Firetec 1200 | F12 | 1200 | | | 29 |
| Firetec 1500 | F15 | 1500 | | | 32.3 |
| Firetec 2000 | F20 | 2000 | | | 48 |
| Firetec 2500 | F25 | 2500 | | | 53 |

- Automatic bioethanol fireplace Firetec
- Manufacturer: Neverdark LLC, Ukraine
- This document is part of the device
- For decorative and domestic use only

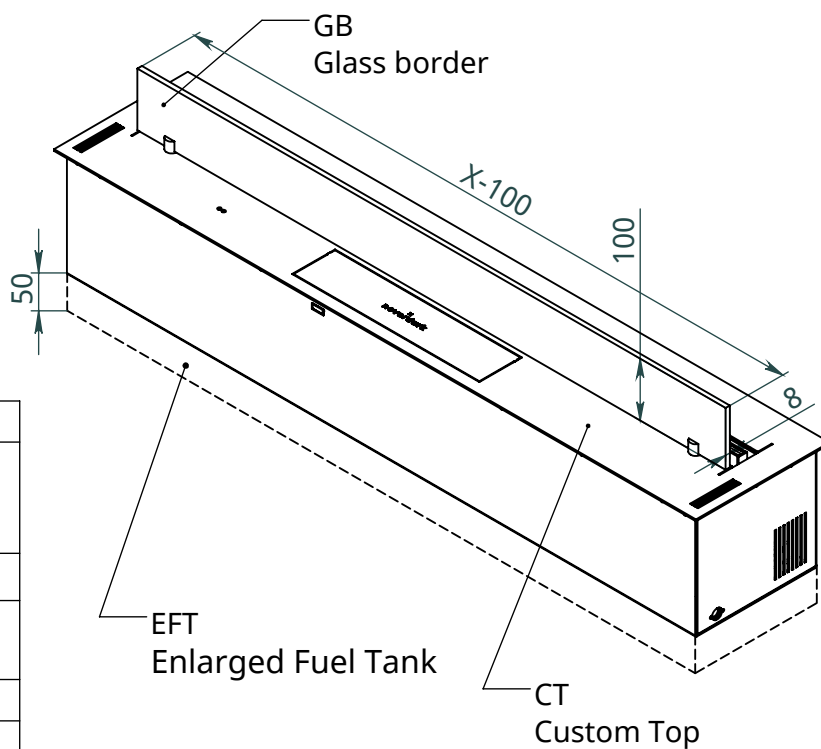
Standard configuration



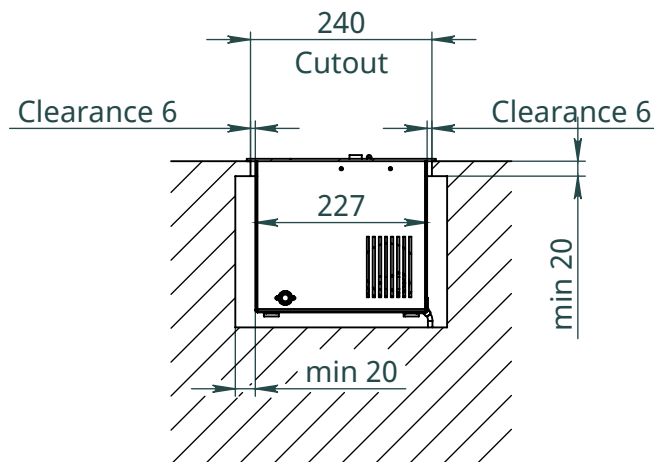
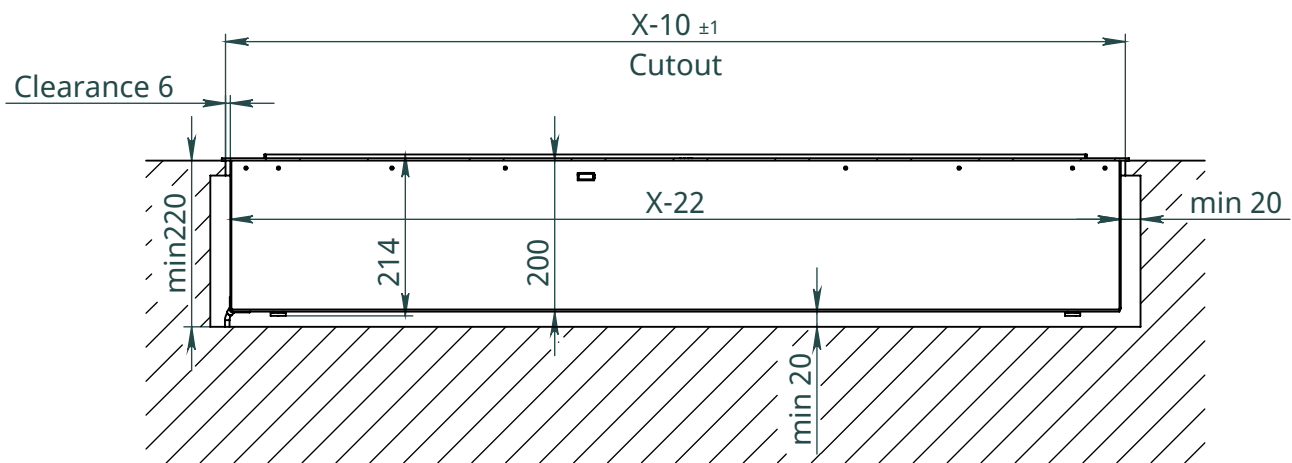
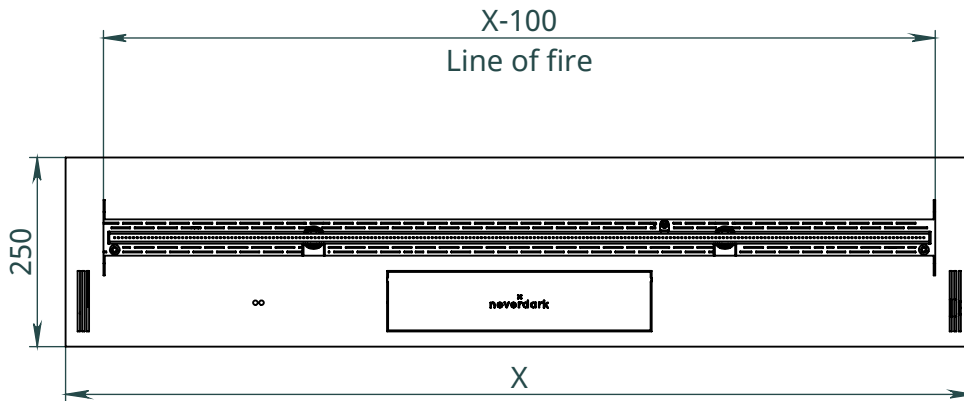
Standard top panel (black gloss)

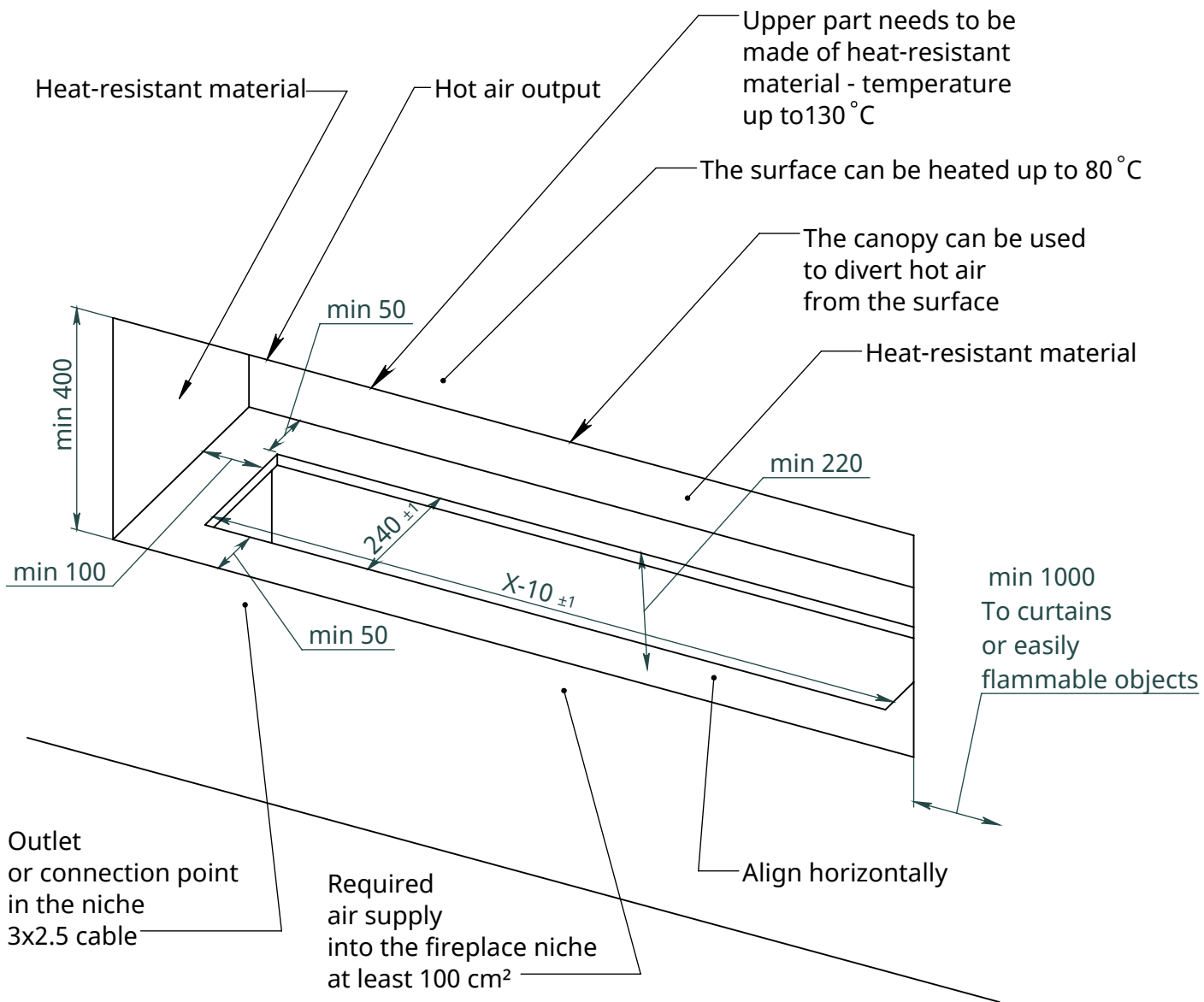
| | |
|--------------------------------|-----|
| Fireplace | 1pc |
| Handles for mounting | 2pc |
| Power cable with plug (euro) | 1pc |
| Filling hose | 1pc |
| Fuel drain hose (service only) | 1pc |
| Instructions | 1pc |
| Warranty card | 1pc |
| Micro USB cable (service only) | 1pc |
| Packaging | 1pc |

Available options



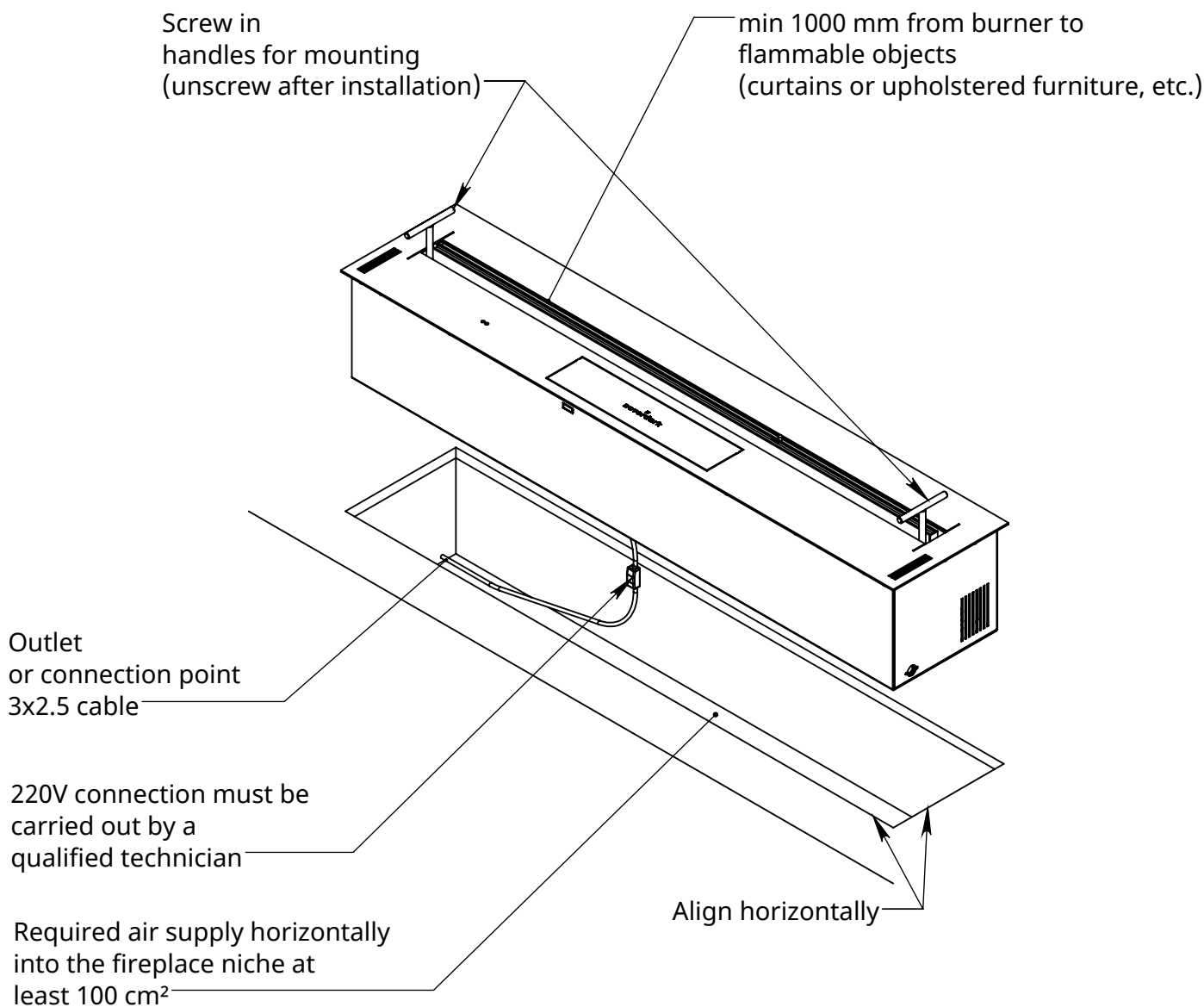
| | |
|-------------------|---|
| GB(1,2) | Glass border |
| CT (RG, RM, M, I) | Custom Top (RAL Glossy, RAL Matte, Matte, Inox) |
| EFT | Enlarged Fuel Tank |
| ARS | External module for control and refueling |
| RC | Remote Control |
| SH | Smart Home Connection Module |





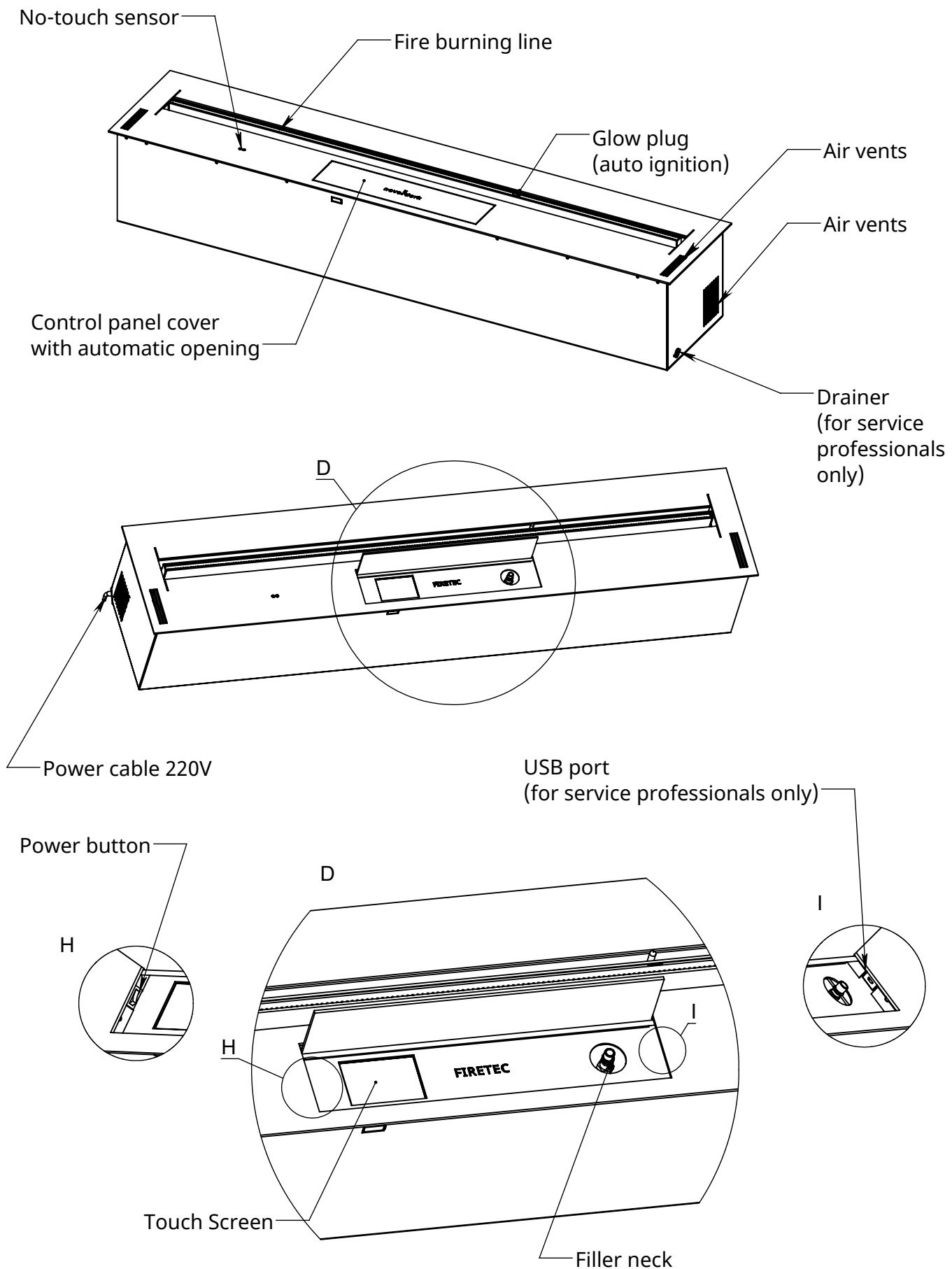
WARNING!

The manufacturer does not recommend placing objects above or next to the fireplace that are sensitive to high temperatures, as this can significantly shorten their service life. If the technical documentation were not followed, the manufacturer is not responsible for any damage to objects above or next to the fireplace resulting from exposure to high temperatures.



WARNING!

- Installation of the fireplace not on a horizontal level can lead to malfunction of the fireplace and possible fuel spillage;
- Only a qualified specialist should connect the cable to the power grid;
- The fireplace must be mounted in the prepared niche by holding the previously installed handles for installation, then the handles must be removed (unscrewed) and not used during the operation of the fireplace;
- If it is necessary to remove the fireplace from the niche, reinstall the installation handles;
- Ensure that the product is correctly installed and read the user manual supplied with it;
- Do not fill the fuel tank and do not turn on the fireplace without first reading the user manual;
- If it becomes necessary to remove the fireplace from niche, wait until the fuel has burned out completely and the display shows the message that the tank is empty, switch the fireplace off, and disconnect it from the power supply, then remove it from the niche.



| Parameters | | Fireplace model | | | | | | |
|---|--------------------------|-----------------|-------------|--------------|--------------|--------------|--------------|--------------|
| | | Firetec 700 | Firetec 800 | Firetec 1000 | Firetec 1200 | Firetec 1500 | Firetec 2000 | Firetec 2500 |
| Tank volume, l | Standard | 3,4 | 4 | 5,1 | 6,4 | 8,2 | 11 | 13,9 |
| | Enlarged Fuel Tank (EFT) | 6,8 | 7,7 | 9,4 | 11,1 | 13,7 | 17,9 | 22,2 |
| Consumption, l / h (Min / Max) | | 0,5 / 0,8 | 0,6 / 0,9 | 0,7 / 1,2 | 0,9 / 1,4 | 1,1 / 1,8 | 1,5 / 2,5 | 1,9 / 3,1 |
| Average consumption, l / h (Min / Max) | | 0,7 | 0,8 | 1,0 | 1,2 | 1,5 | 2,0 | 2,5 |
| Burning time, h (Min / Max) | Standard | 4,3 / 6,8 | 4,4 / 6,7 | 4,3 / 7,3 | 4,6 / 7,1 | 4,6 / 7,5 | 4,4 / 7,3 | 4,5 / 7,3 |
| | Enlarged Fuel Tank (EFT) | 8,5 / 13,6 | 8,6 / 12,8 | 7,8 / 13,4 | 7,9 / 12,3 | 7,6 / 12,5 | 7,2 / 11,9 | 7,2 / 11,7 |
| Room size*, m ² (Min / Recommended) | | 22 / 54 | 24 / 61 | 32 / 82 | 38 / 95 | 49 / 122 | 68 / 170 | 84 / 211 |
| Maximum power consumption, kW | | 0,55 | 0,55 | 0,55 | 0,90 | 0,90 | 1,25 | 1,25 |
| Heat power, kW (Min / Recommended) | | 3,3 / 5,2 | 3,9 / 5,9 | 4,6 / 7,8 | 5,9 / 9,1 | 7,2 / 11,7 | 9,8 / 16,3 | 12,4 / 20,2 |
| Air consumption, m ³ /h (Min / Recommended) | | 0,9 / 1,5 | 1,1 / 1,7 | 1,3 / 2,2 | 1,7 / 2,6 | 2,0 / 3,3 | 2,8 / 4,6 | 3,5 / 5,7 |
| CO ₂ release, m ³ /h (Min / Recommended) | | 0,4 / 0,6 | 0,5 / 0,7 | 0,6 / 1,0 | 0,7 / 1,1 | 0,9 / 1,4 | 1,2 / 2,0 | 1,5 / 2,5 |

* Using a ventilation system

- Keep away from children;
- Ensure that the wall/table/floor on which you place the appliance can support its weight;
- Install only in a place protected from draughts;
- Do not cover top and side ventilation grids;
- Do not place flammable objects on the appliance;
- Keep a carbon dioxide fire extinguisher within sight;
- The use of a separate line with a fuse and/or circuit breaker is compulsory;
- For comfortable use of the fireplace it is necessary to ensure the supply of fresh air into the room and a removal of combustion products. It can be a ventilation extractor, recuperator or an opened window;
- Keep these installation instructions for the life of the fireplace.