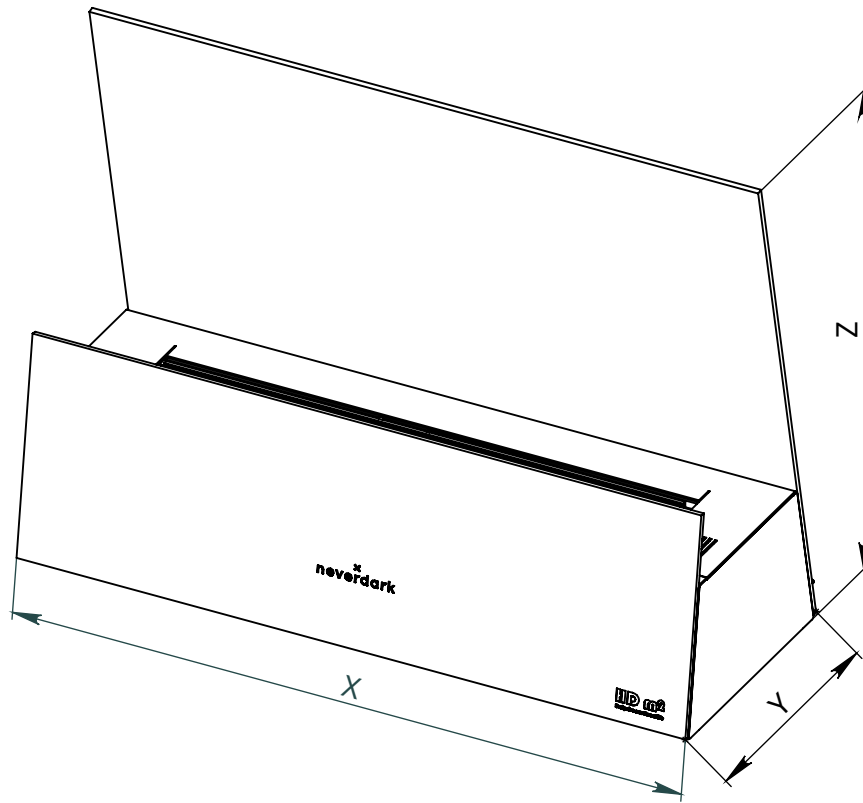


x  
neverdark

Smart fireplace  
**FILD**  
(FLD)

Technical documentation

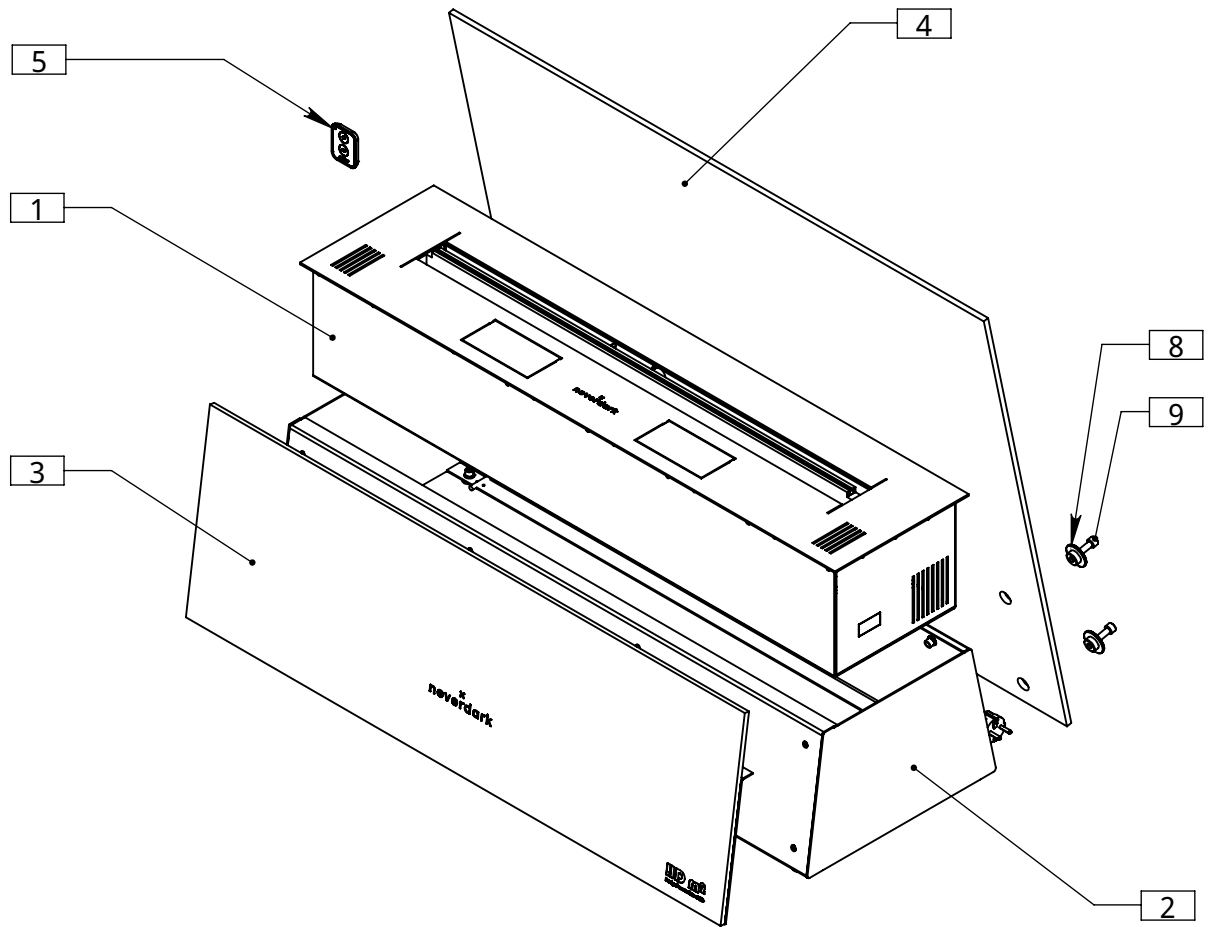




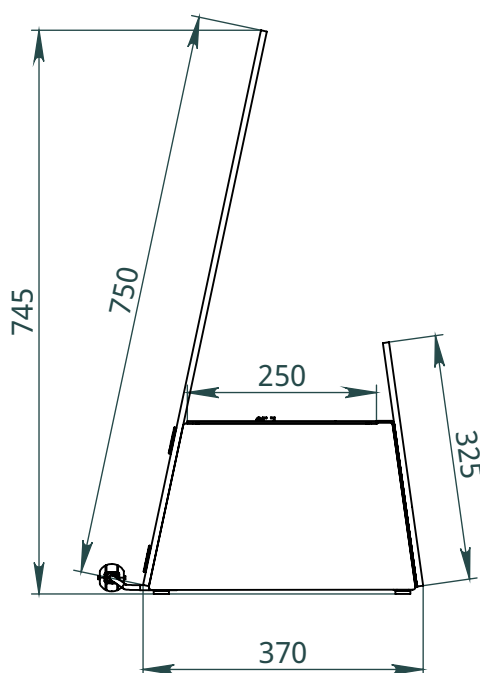
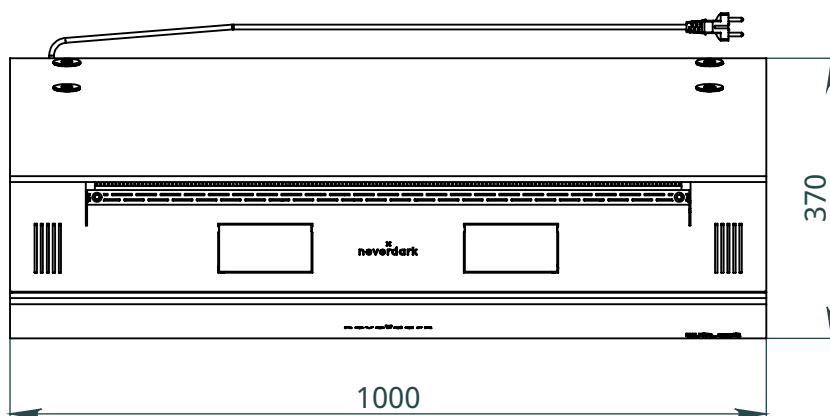
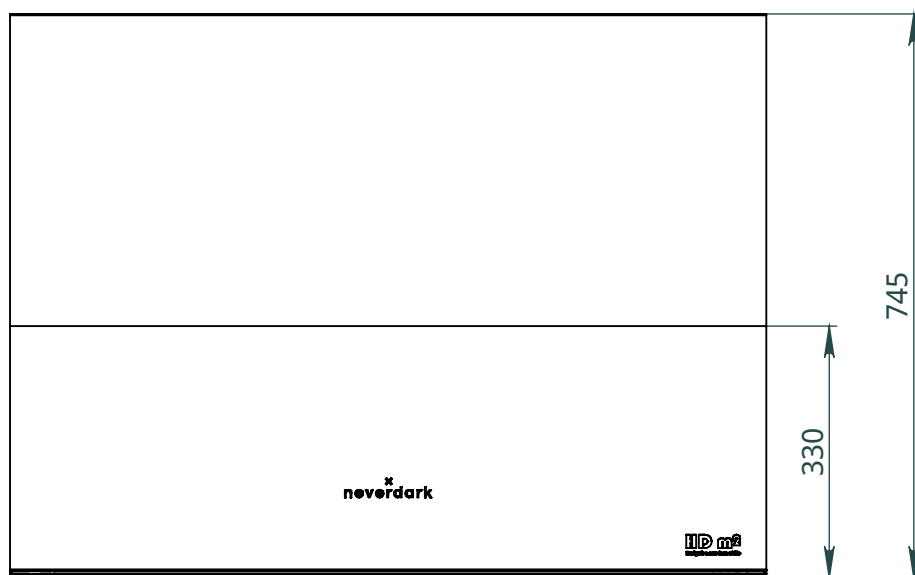
		X	Y	Z	
Model	Code	Length, mm	Width, mm	Height, mm	Weight, kg
Fild	FLD	1000	370	745	62

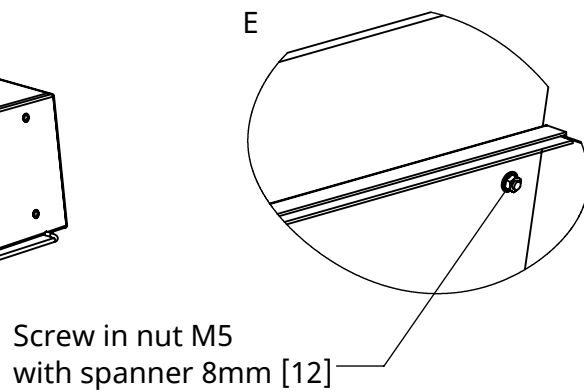
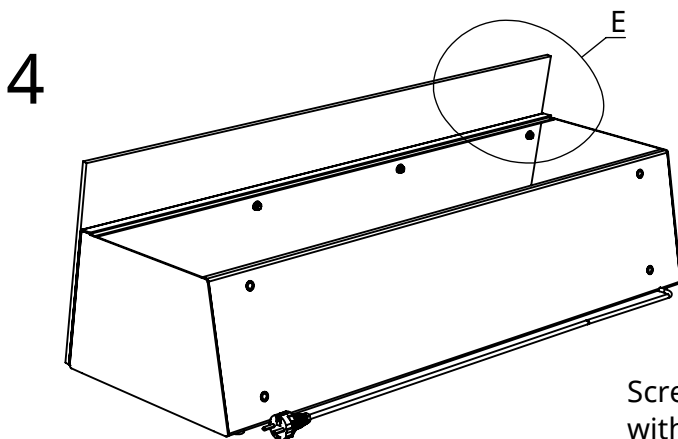
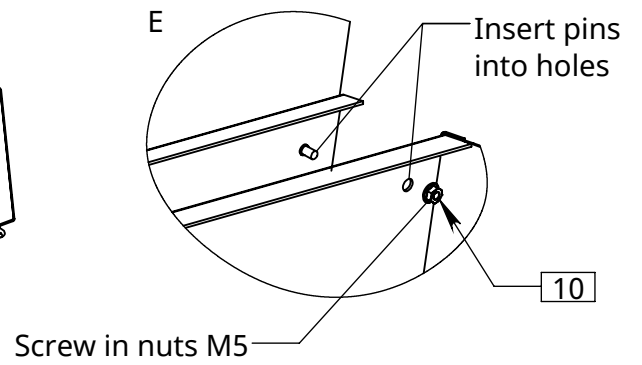
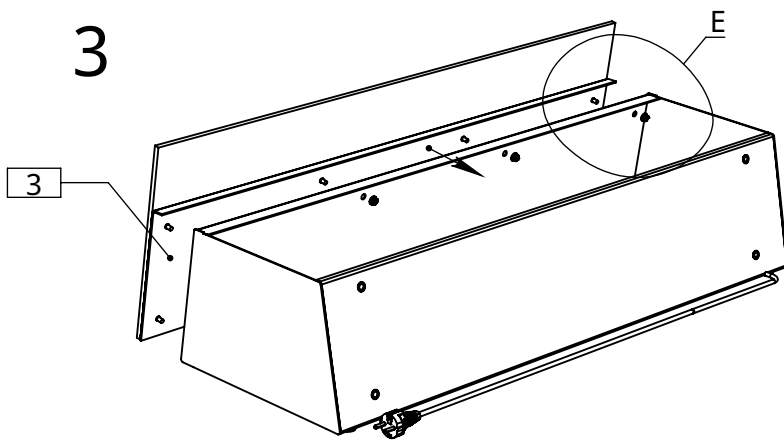
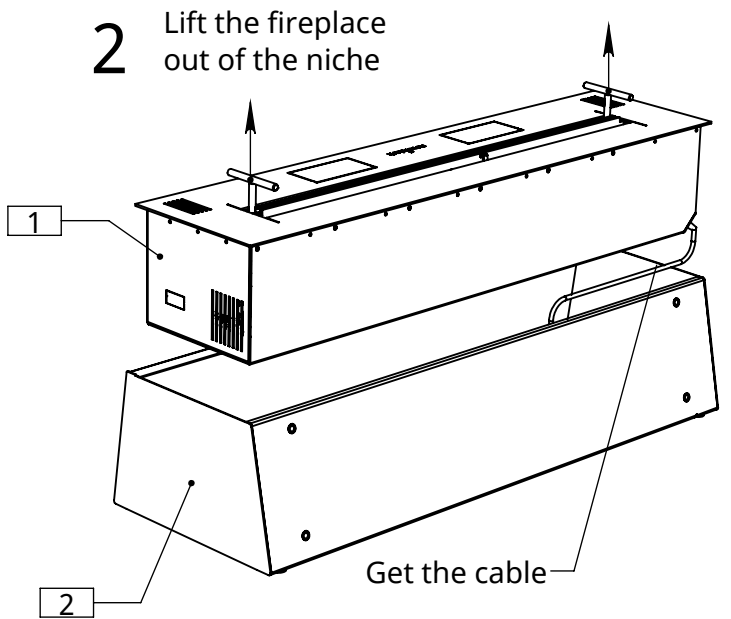
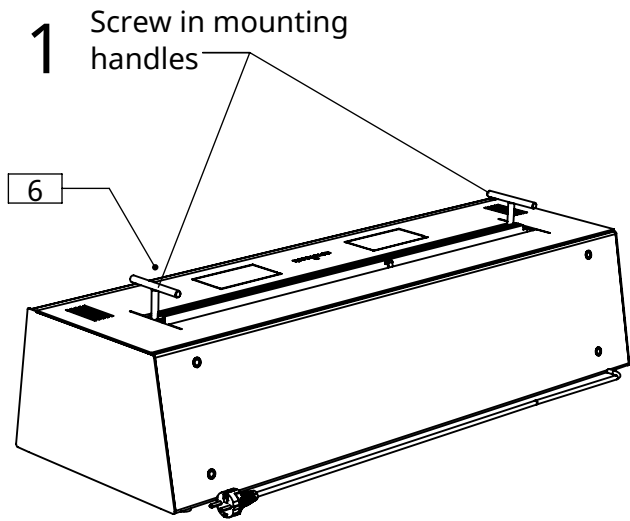
- Automatic bioethanol fireplace Fild
- Manufacturer: Neverdark LLC, Ukraine
- This document is part of the device
- For decorative and domestic use only

## Standard configuration

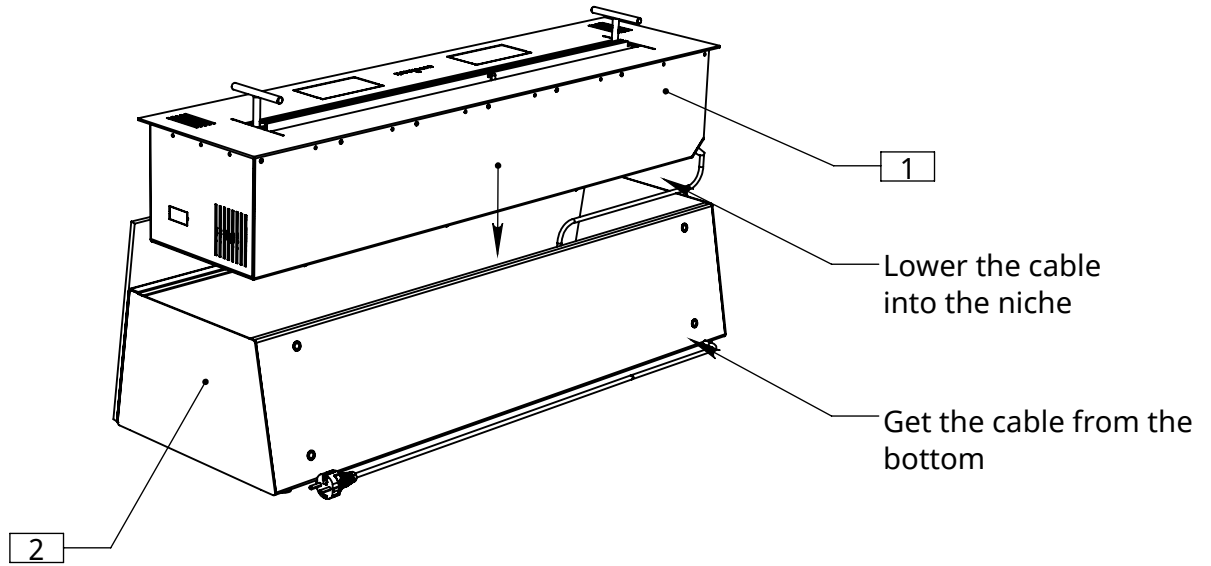


1	Fireplace	1pc
2	Fireplace box	1pc
3	Panel with front glass	1pc
4	Back glass	1pc
5	Remote Control	1pc
6	Handles for mounting	2pc
7	Fuel neck	1pc
8	Protection housings for the glass	4pc
9	Screw M8	4pc
10	Nut M5	8pc
11	Hex key	1pc
12	Screw 8mm	1pc
13	Instructions	1pc
14	Warranty card	1pc
15	Micro USB cable (service only)	1pc
	Packaging	1set

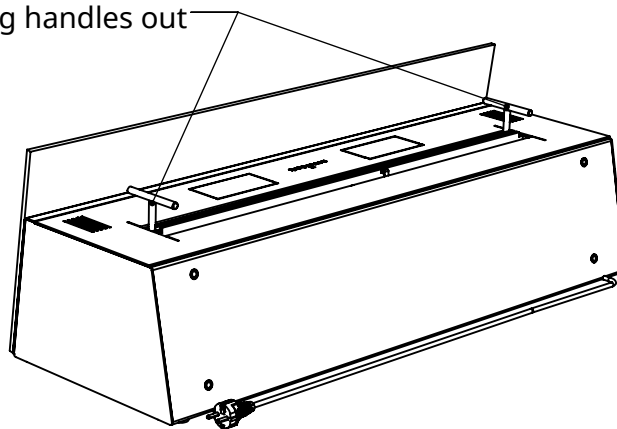




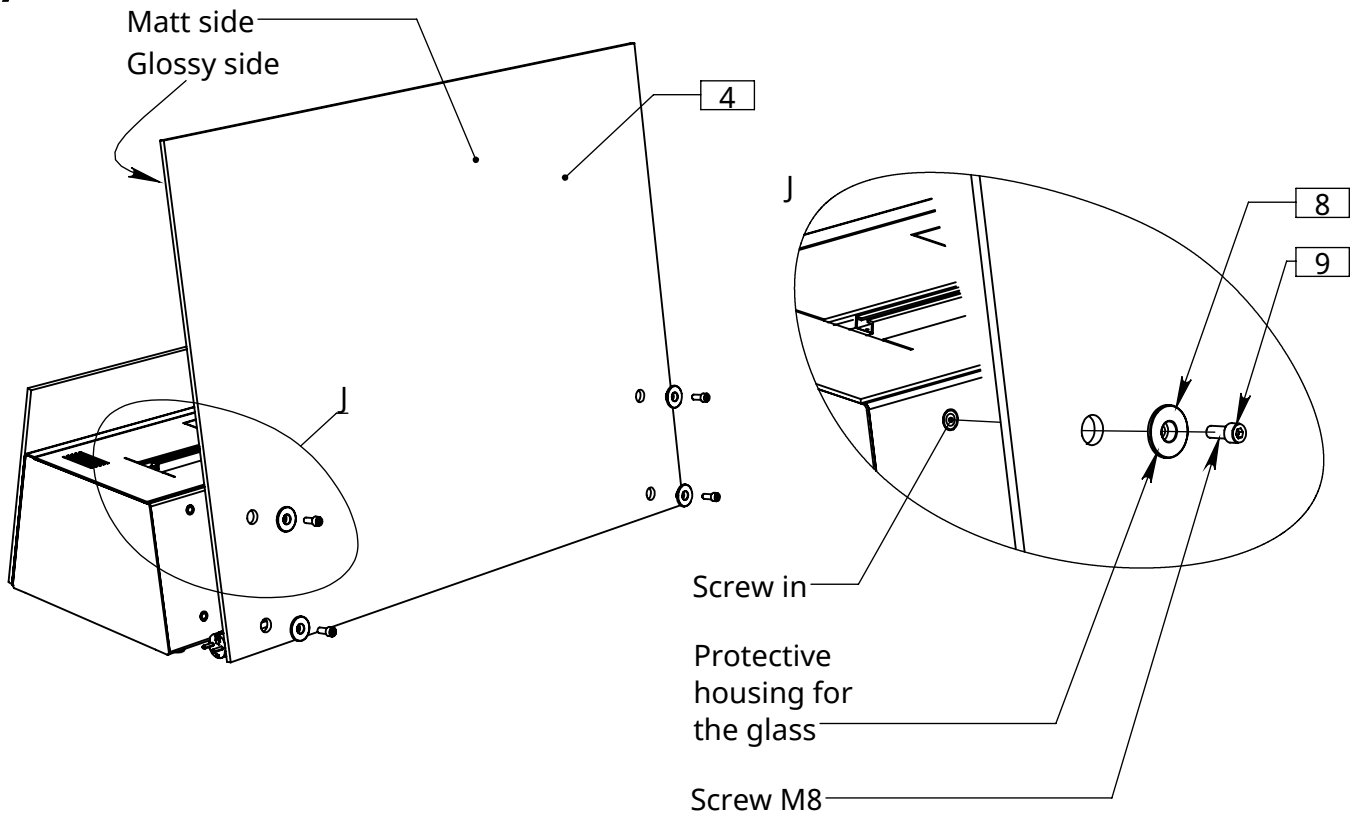
**5** Lower the fireplace into the niche



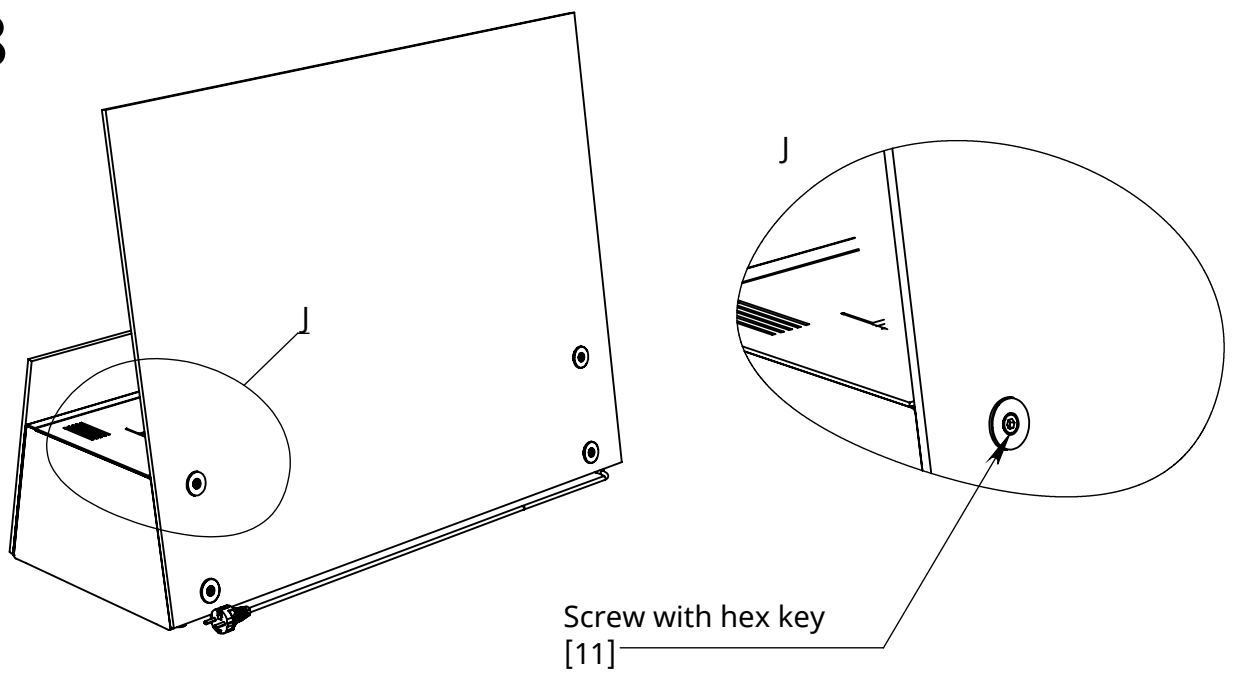
**6** After the mounting screw the mounting handles out

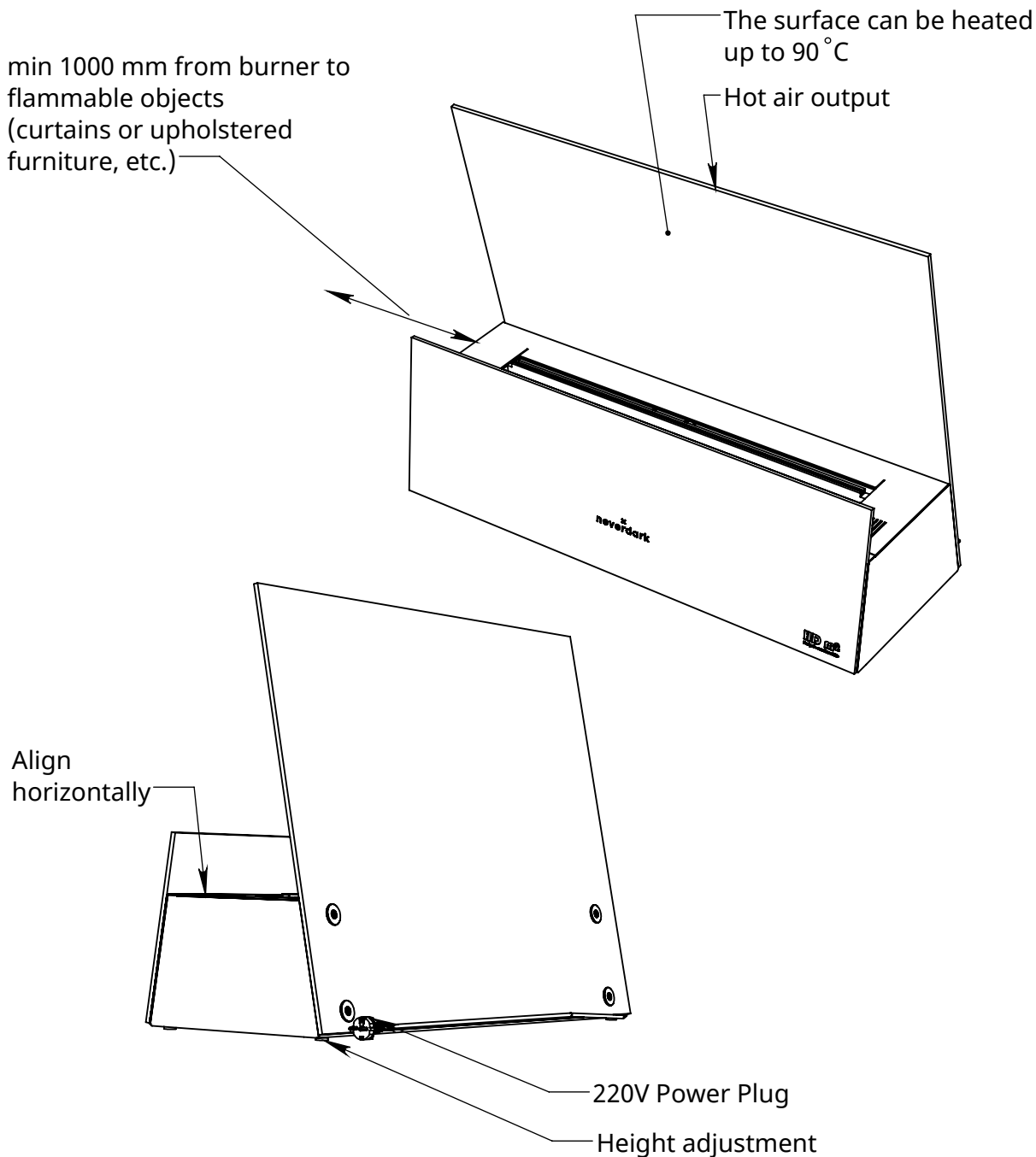


7



8

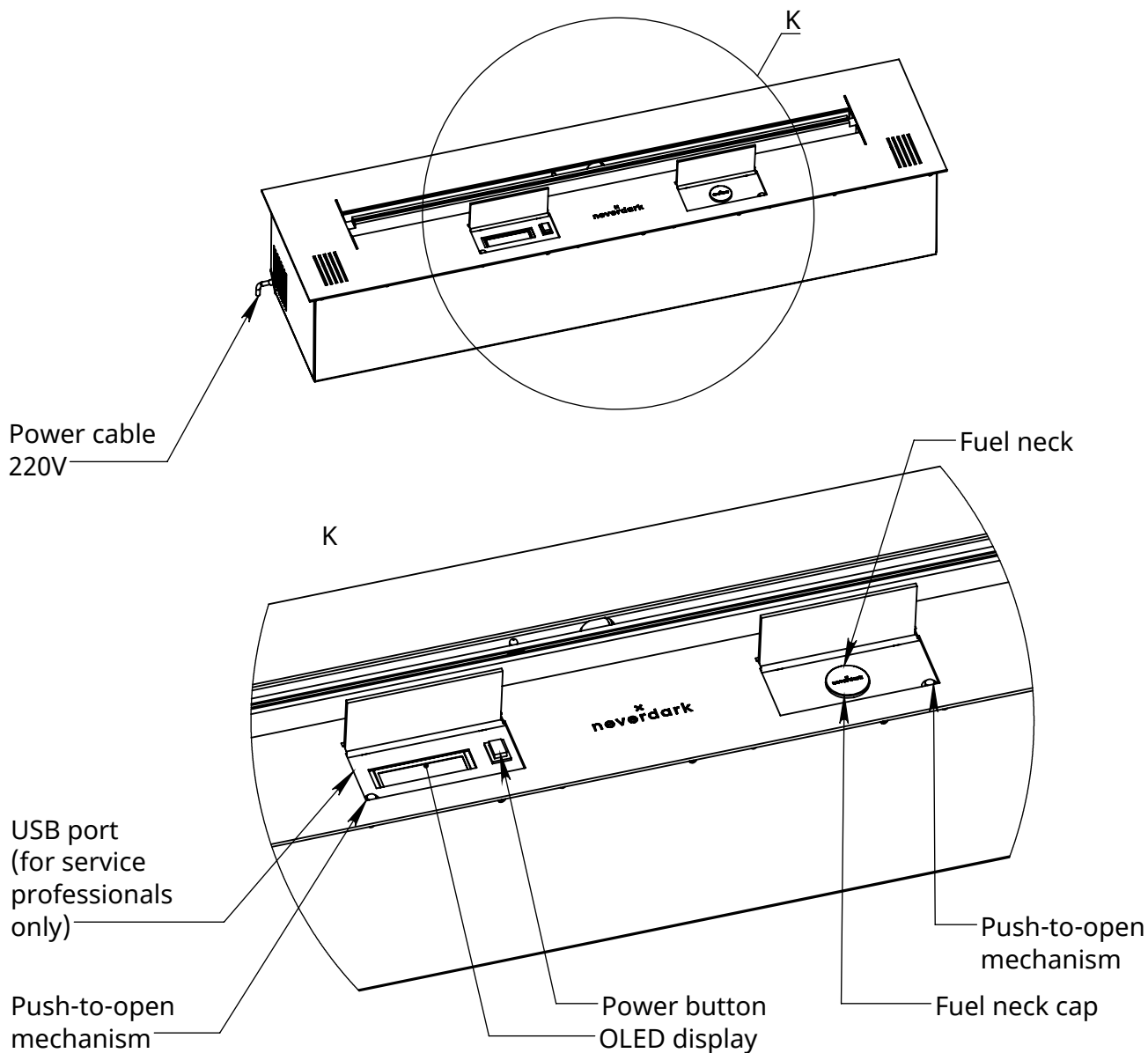
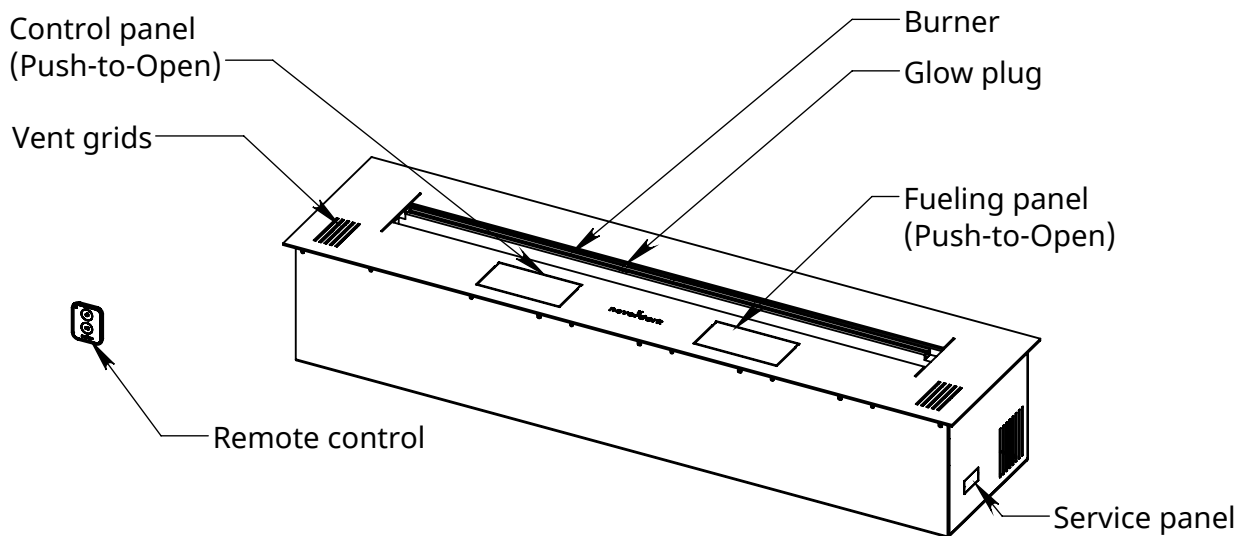




**WARNING!**

- Installation of the fireplace not on a horizontal level can lead to malfunction of the fireplace and possible fuel spillage;
- Only a qualified specialist should connect the cable to the power grid;
- The fireplace must be mounted in the prepared niche by holding the previously installed handles for installation, then the handles must be removed (unscrewed) and not used during the operation of the fireplace;
- If it is necessary to remove the fireplace from the niche, reinstall the installation handles;
- Ensure that the product is correctly installed and read the user manual supplied with it;
- Do not fill the fuel tank and do not turn on the fireplace without first reading the user manual;
- If it becomes necessary to remove the fireplace from niche, wait until the fuel has burned out completely and the display shows the message that the tank is empty, then disconnect the fireplace from the power supply and remove it from the niche.





Parameters	Fild
Tank volume, l	3,1
Consumption, l / h (Min / Max)	0,6 / 1
Average consumption, l / h (Min / Max)	0,8
Burning time, h (Min / Max)	3,1 / 5,2
Room size*, m <sup>2</sup> (Min / Recommended)	0,55
Maximum power consumption, kW	27 / 68
Heat power, kW (Min / Max)	3,9 / 6,5
Air consumption, m <sup>3</sup> /h (Min / Max)	1,1 / 1,9
CO <sub>2</sub> release, m <sup>3</sup> /h (Min / Max)	0,5 / 0,8

\* Using a ventilation system

- Keep away from children;
- Ensure that the wall/table/floor on which you place the appliance can support its weight;
- Install only in a place protected from draughts;
- Do not cover top and side ventilation grids;
- Do not place flammable objects on the appliance;
- Keep a carbon dioxide fire extinguisher within sight;
- The use of a separate line with a fuse and/or circuit breaker is compulsory;
- For comfortable use of the fireplace it is necessary to ensure the supply of fresh air into the room and a removal of combustion products. It can be a ventilation extractor, recuperator or an opened window;
- Keep these installation instructions for the life of the fireplace.