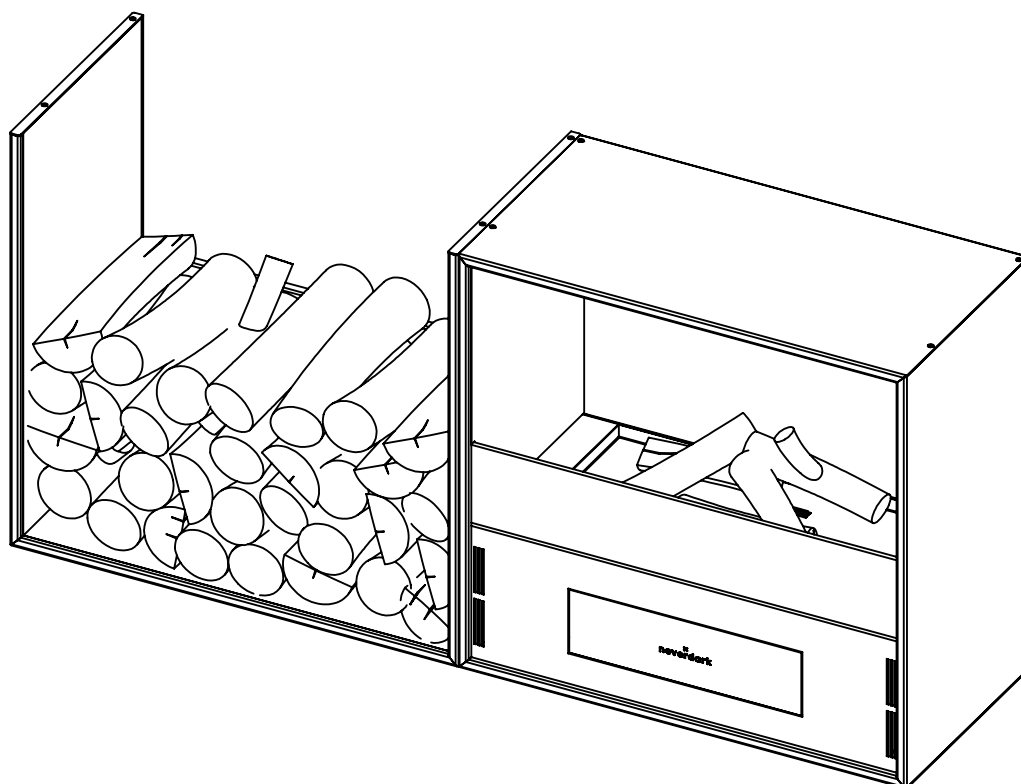
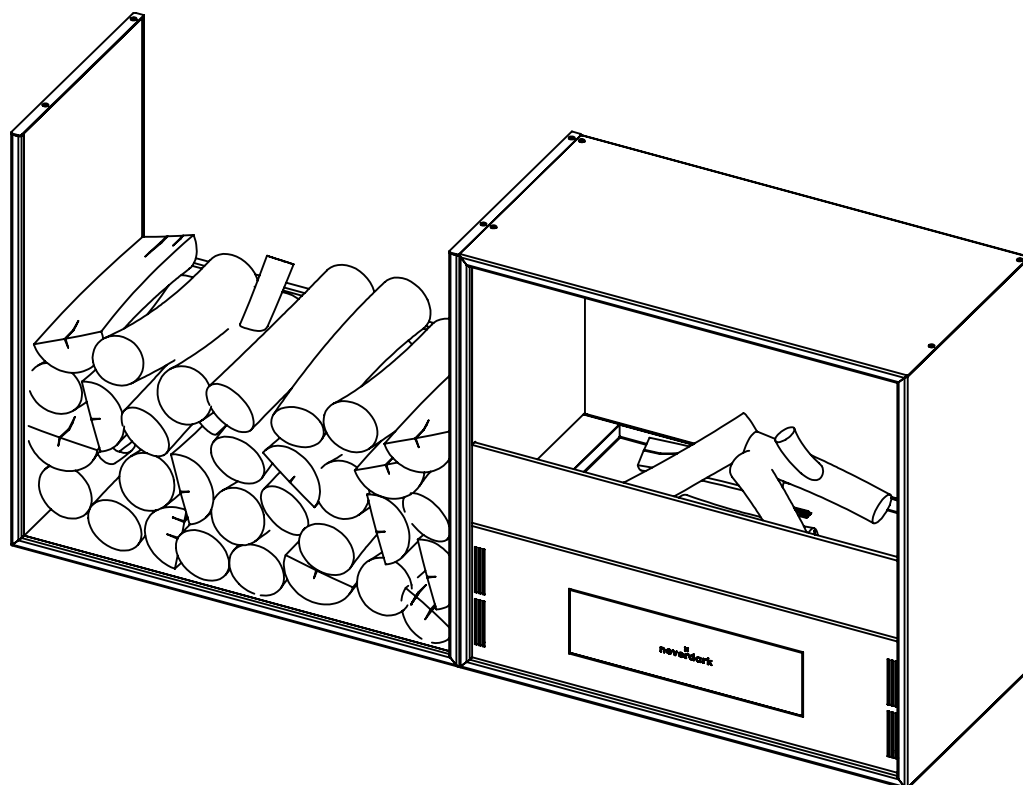


x
neverdark

Smart fireplace MOSSWOOD

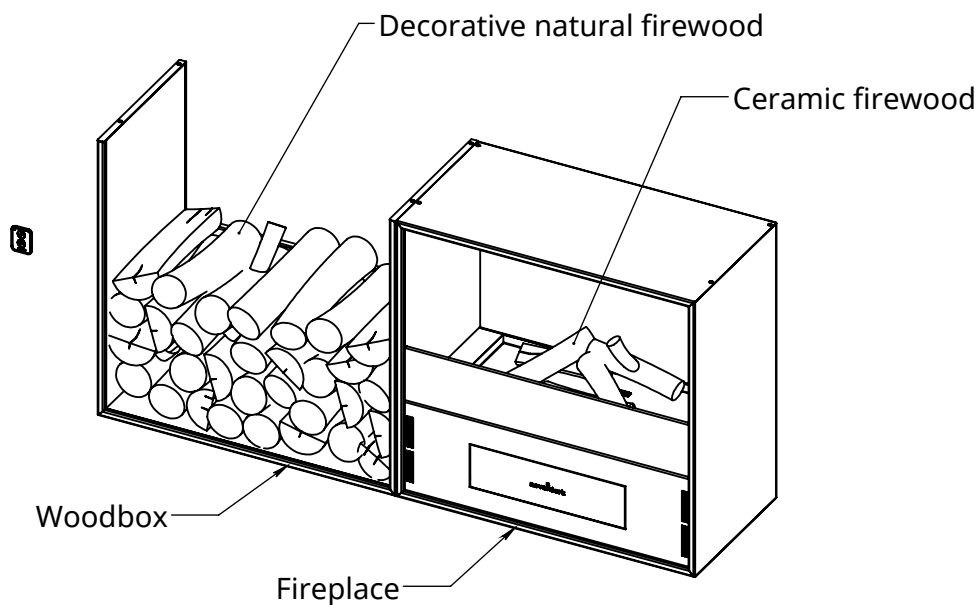
Technical documentation





			X	Y	Z	
Model	Code	Product	Length, mm	Width, mm	Height, mm	Weight, kg
Mosswood	MSW	Fireplace	670	350	645	43
		Woodbox	670	350	645	19

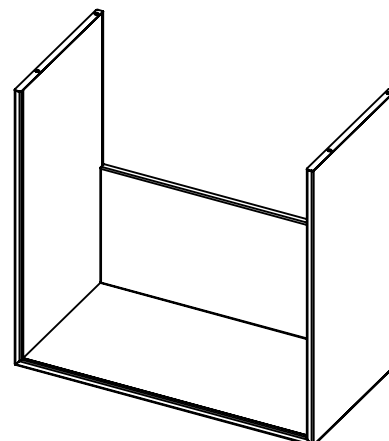
Standard configuration



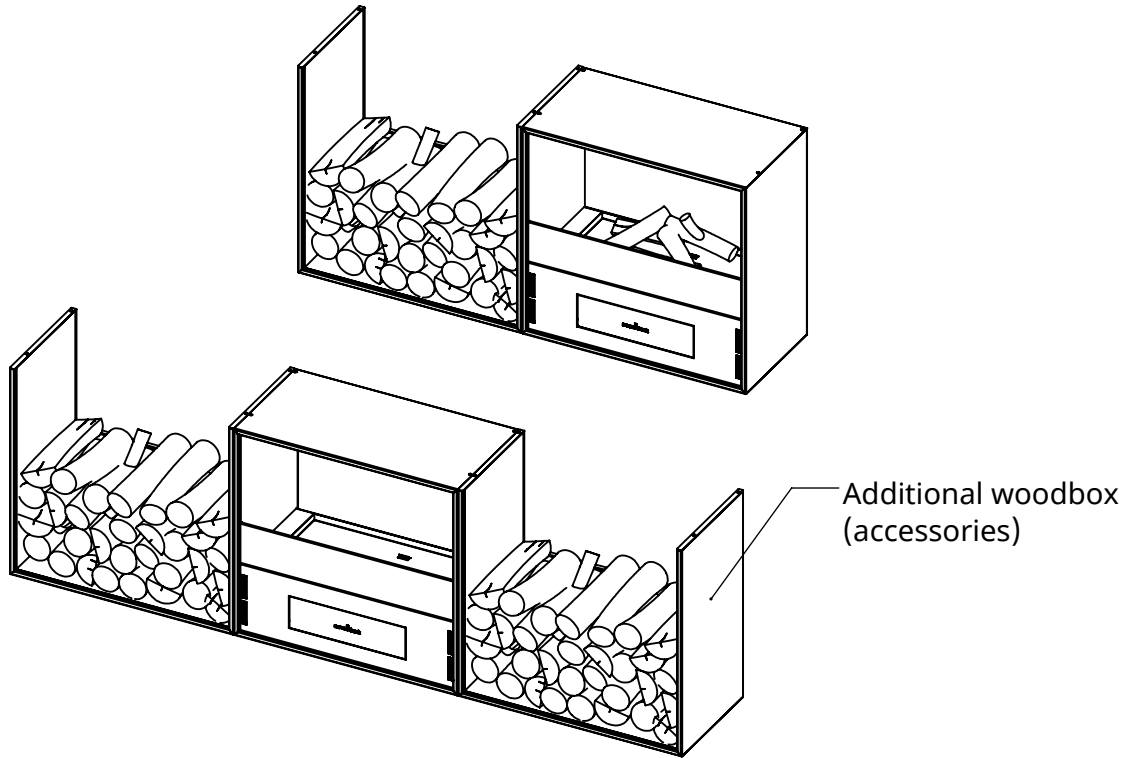
Fireplace	1pc
Woodbox	1pc
Remote control	1pc
Decorative natural firewood	1set
Decorative stones	1set
Ceramic firewood	1set
Fiber for the glow effect	1set
Filling hose	1pc
Hex key	1pc
Fuel drain hose (service only)	1pc
Instructions	1pc
Micro USB cable (service only)	1pc
Packaging	1pc

Accessories

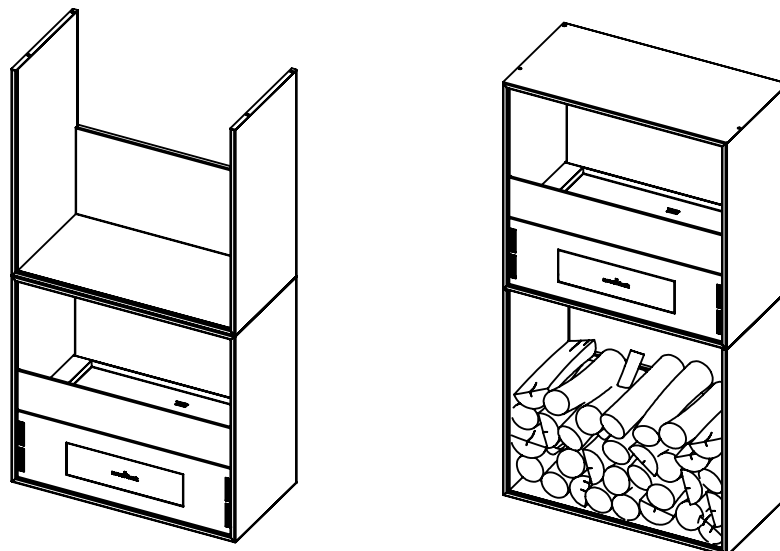
Code	Name
WB(MSW)	Additional woodbox



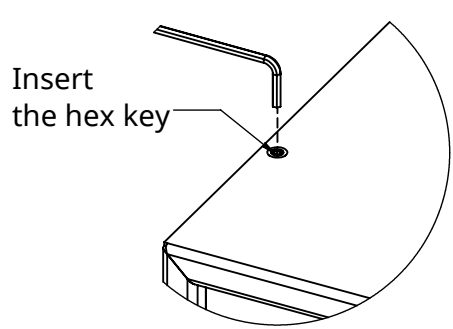
Standard configuration



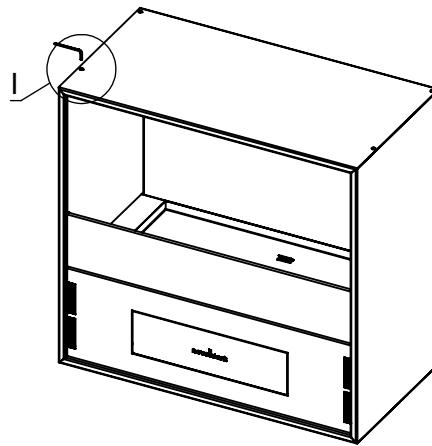
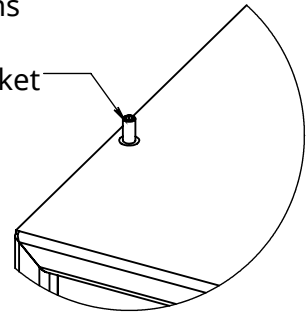
Assemble options



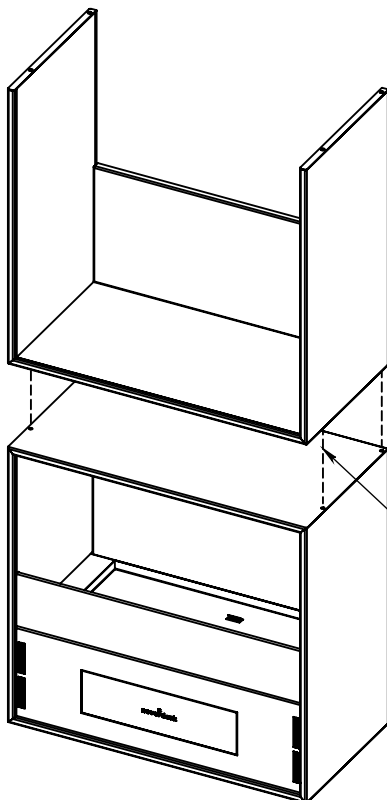
1



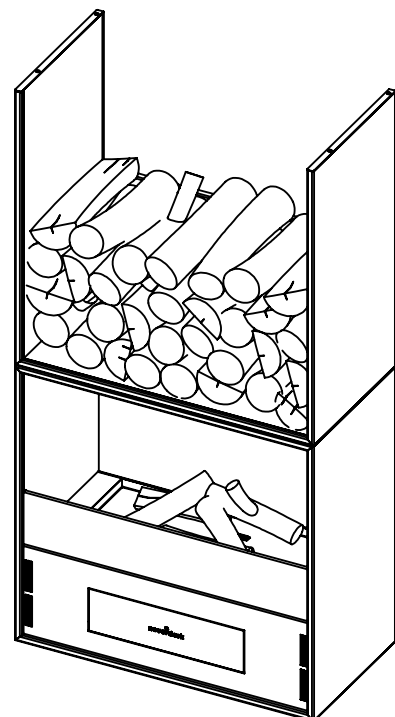
Unscrew the guide pins 10-12mm from the socket

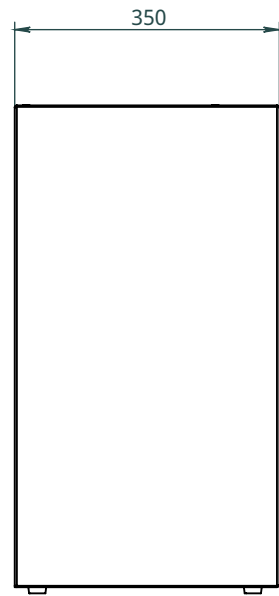
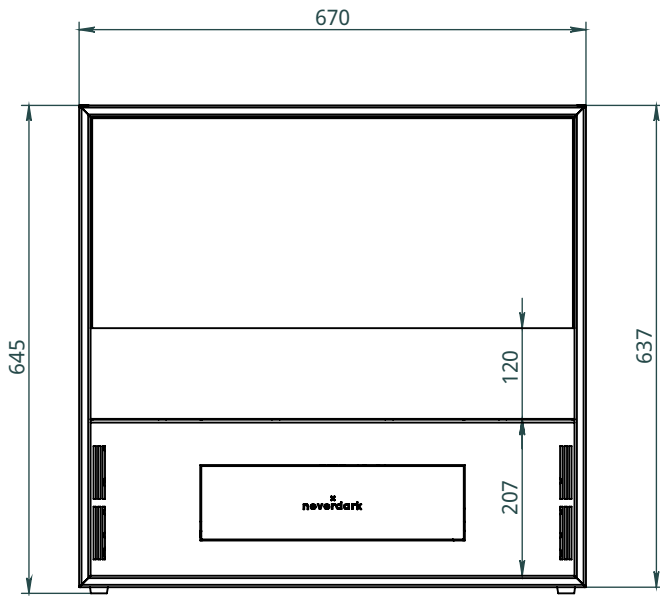


2

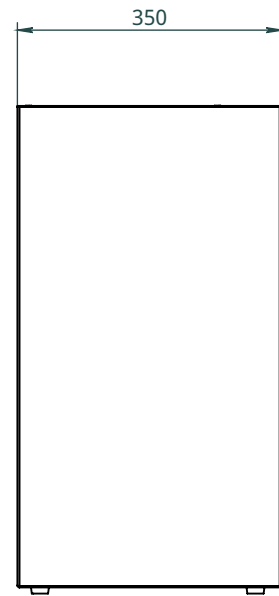
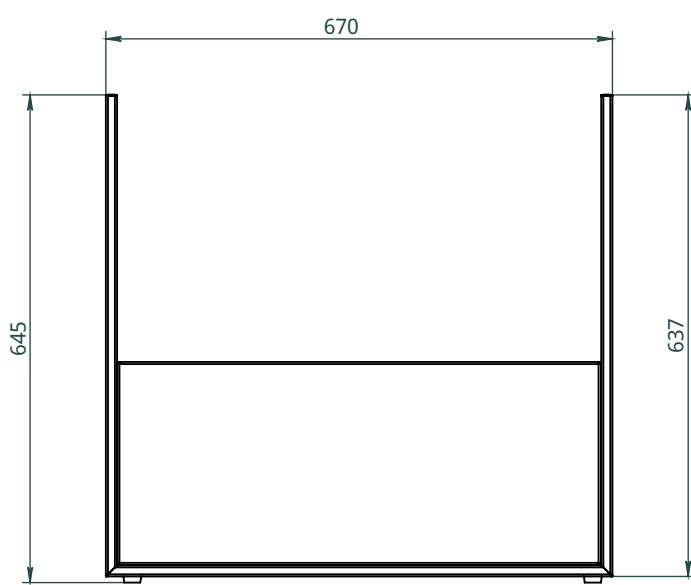


Put on top of each other along the guide pins

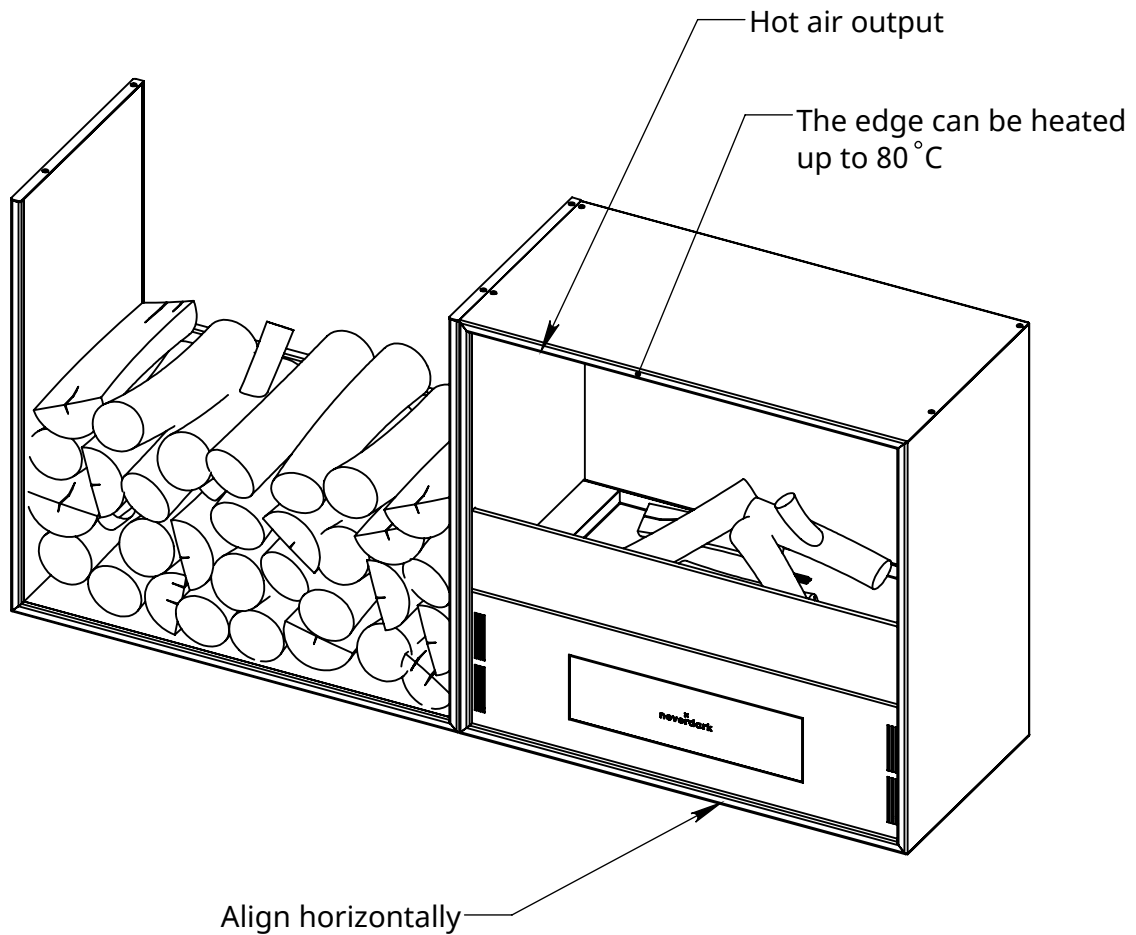




Fireplace

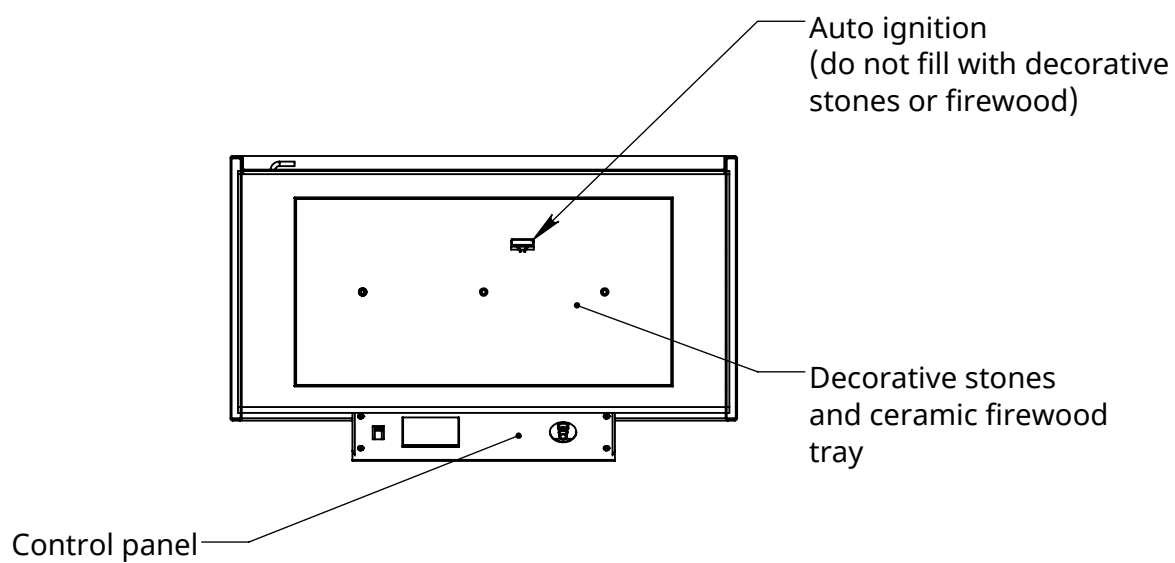
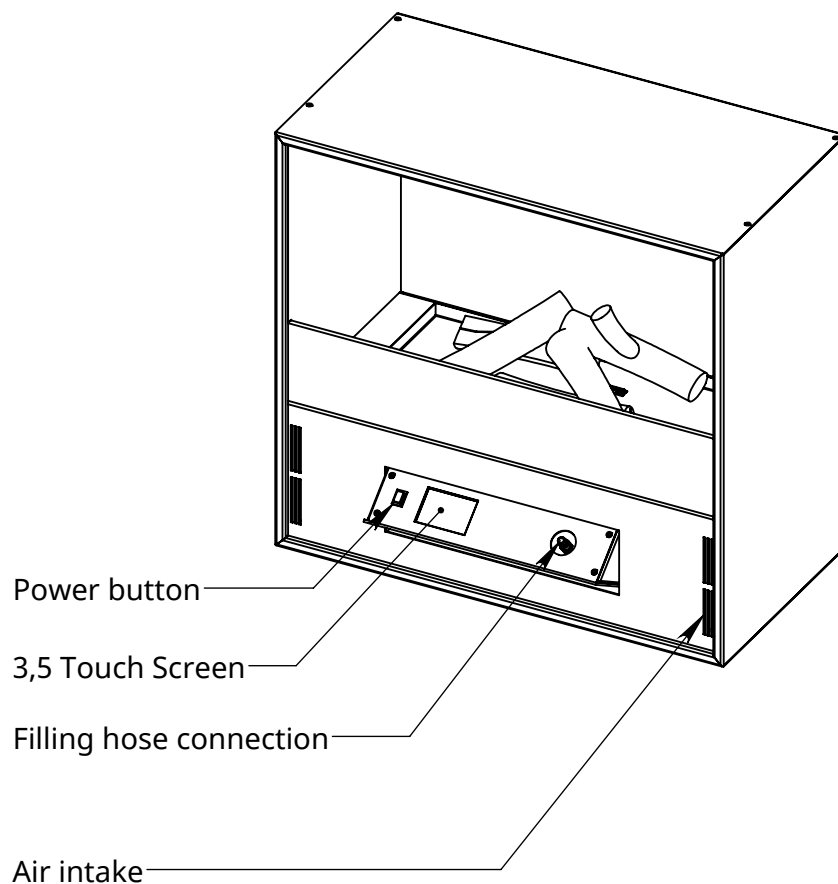


Woodbox



WARNING!

The manufacturer does not recommend placing objects above or next to the fireplace that are sensitive to high temperatures, as this can significantly shorten their service life. If the technical documentation were not followed, the manufacturer is not responsible for any damage to objects above or next to the fireplace resulting from exposure to high temperatures.



Parameters	Model
	MOSSWOOD
Tank volume, l	3,4
Consumption, l / h (Min / Max)	0,4 / 0,6
Average consumption, l / h (Min / Max)	0,5
Burning time, h (Min / Max)	5,7 / 8,5
Room size*, m2 (Min / Recommended)	16 / 41
Maximum power consumption, kW	0,90
Heat power, kW (Min / Max)	2,6 / 3,9
Air consumption, m3/h (Min / Max)	0,7 / 1,1
CO2 release, m3/h (Min / Max)	0,3 / 0,5

* Using a ventilation system

- Keep away from children;
- Ensure that the wall/table/floor on which you place the appliance can support its weight;
- Install only in a place protected from draughts;
- Do not cover top and side ventilation grids;
- Do not place flammable objects on the appliance;
- Keep a carbon dioxide fire extinguisher within sight;
- The use of a separate line with a fuse and/or circuit breaker is compulsory;
- For comfortable use of the fireplace it is necessary to ensure the supply of fresh air into the room and a removal of combustion products. It can be a ventilation extractor, recuperator or an opened window;
- Keep these installation instructions for the life of the fireplace.