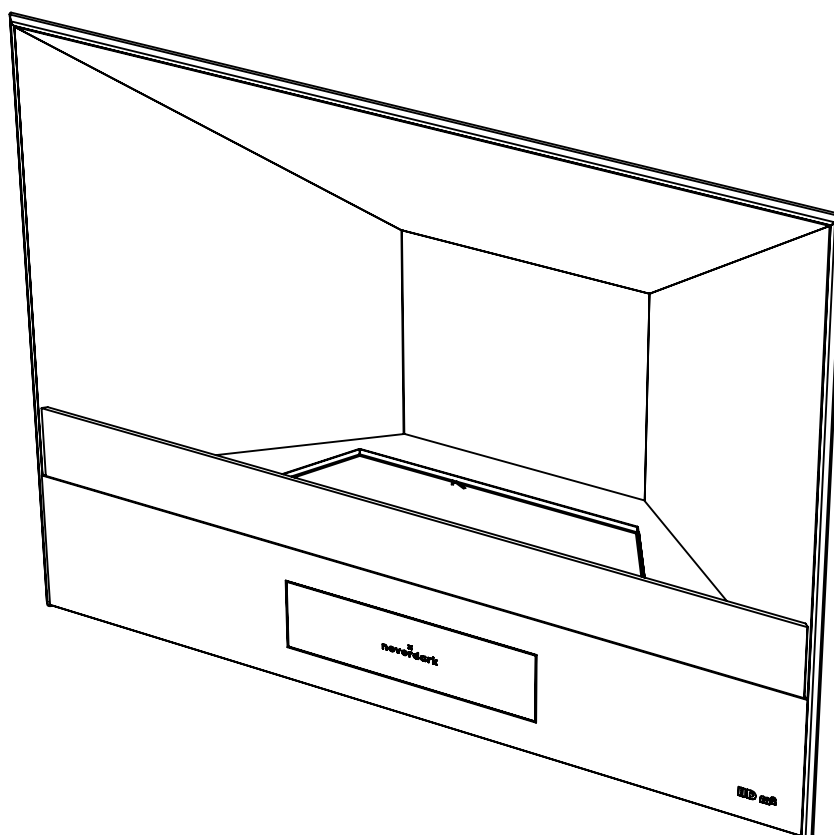
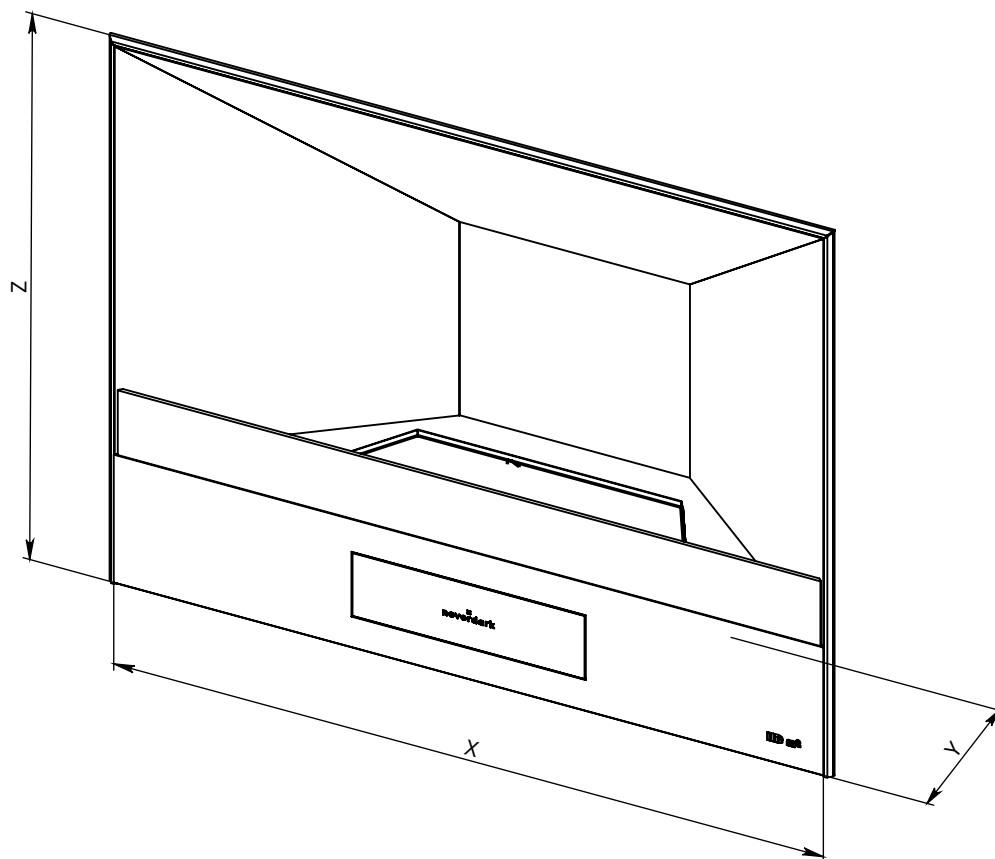


x
neverdark

Smart fireplace **THE LOG** (LOG)

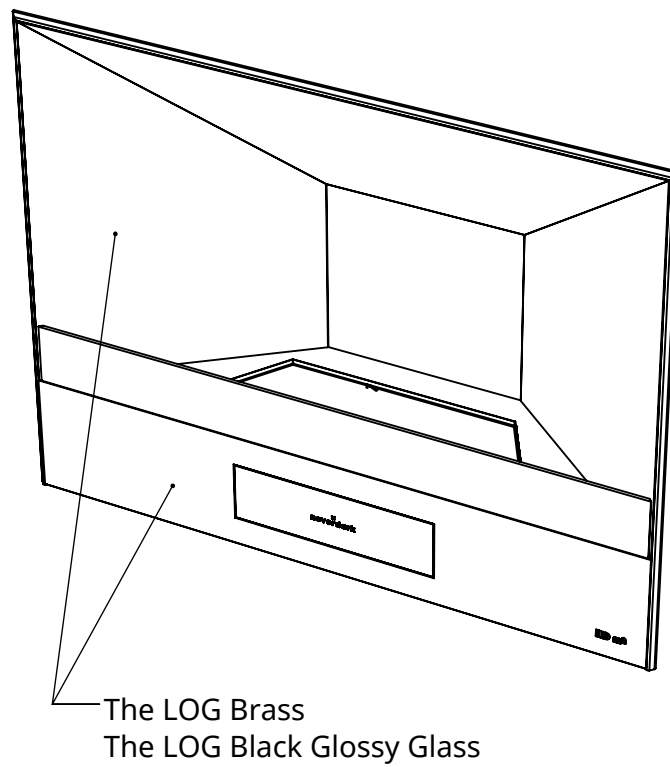
Technical documentation



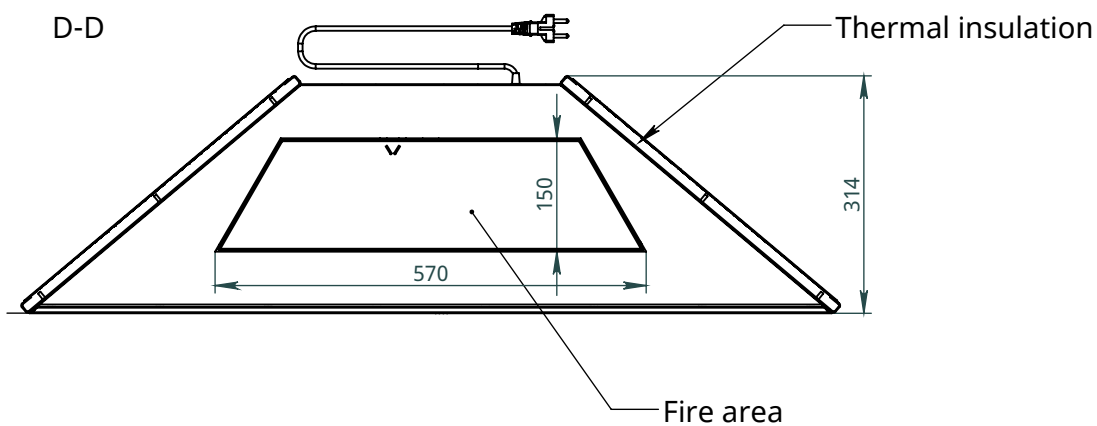
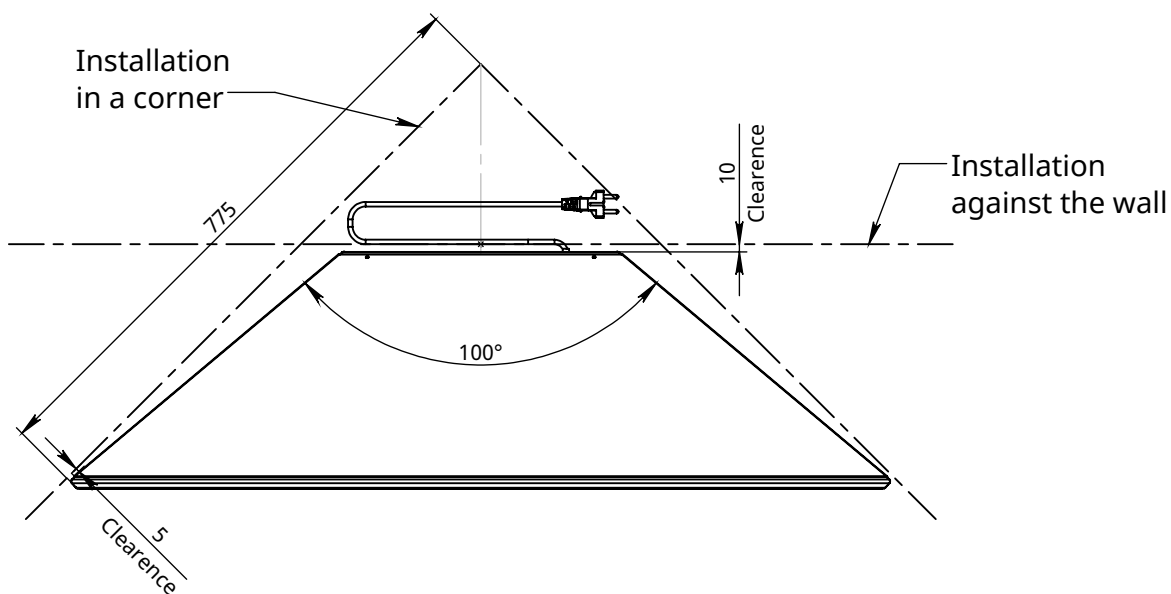
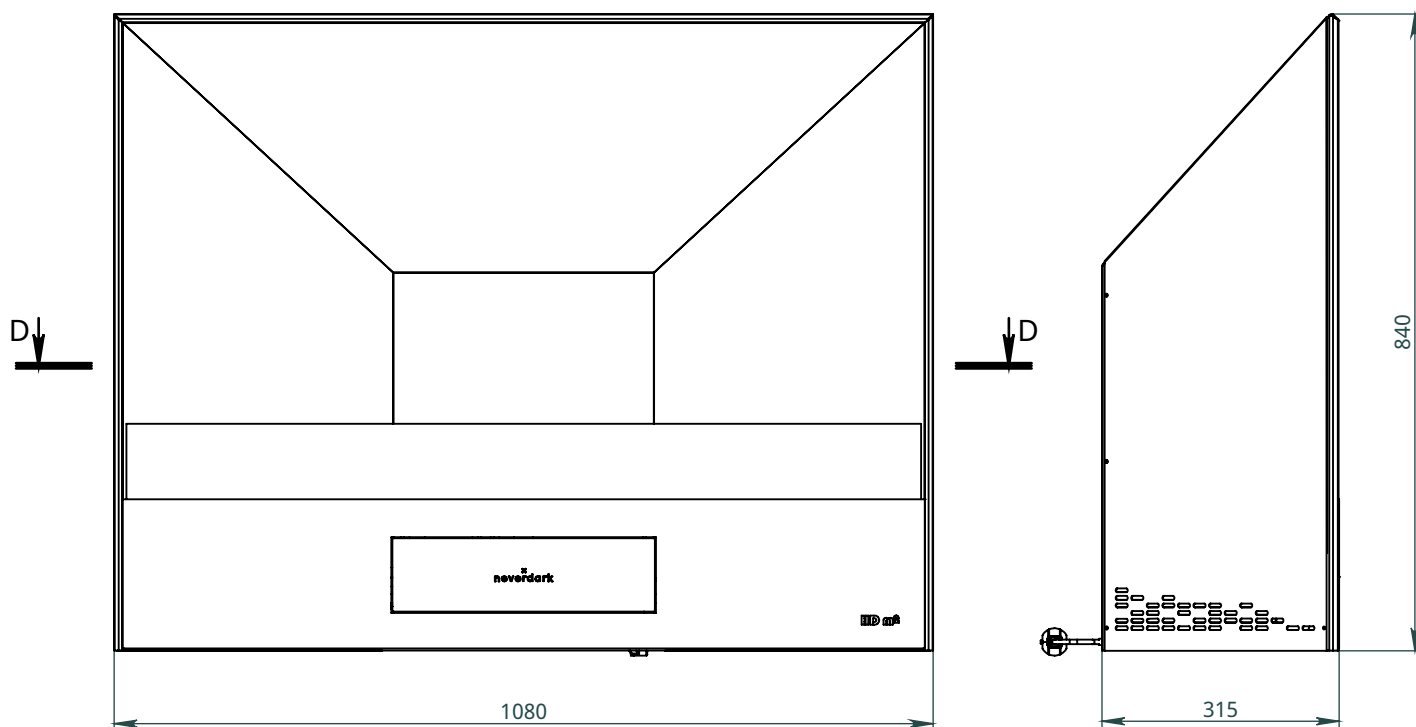


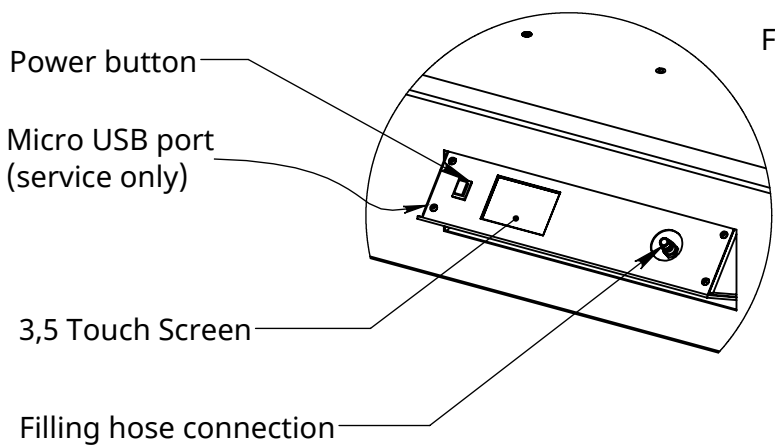
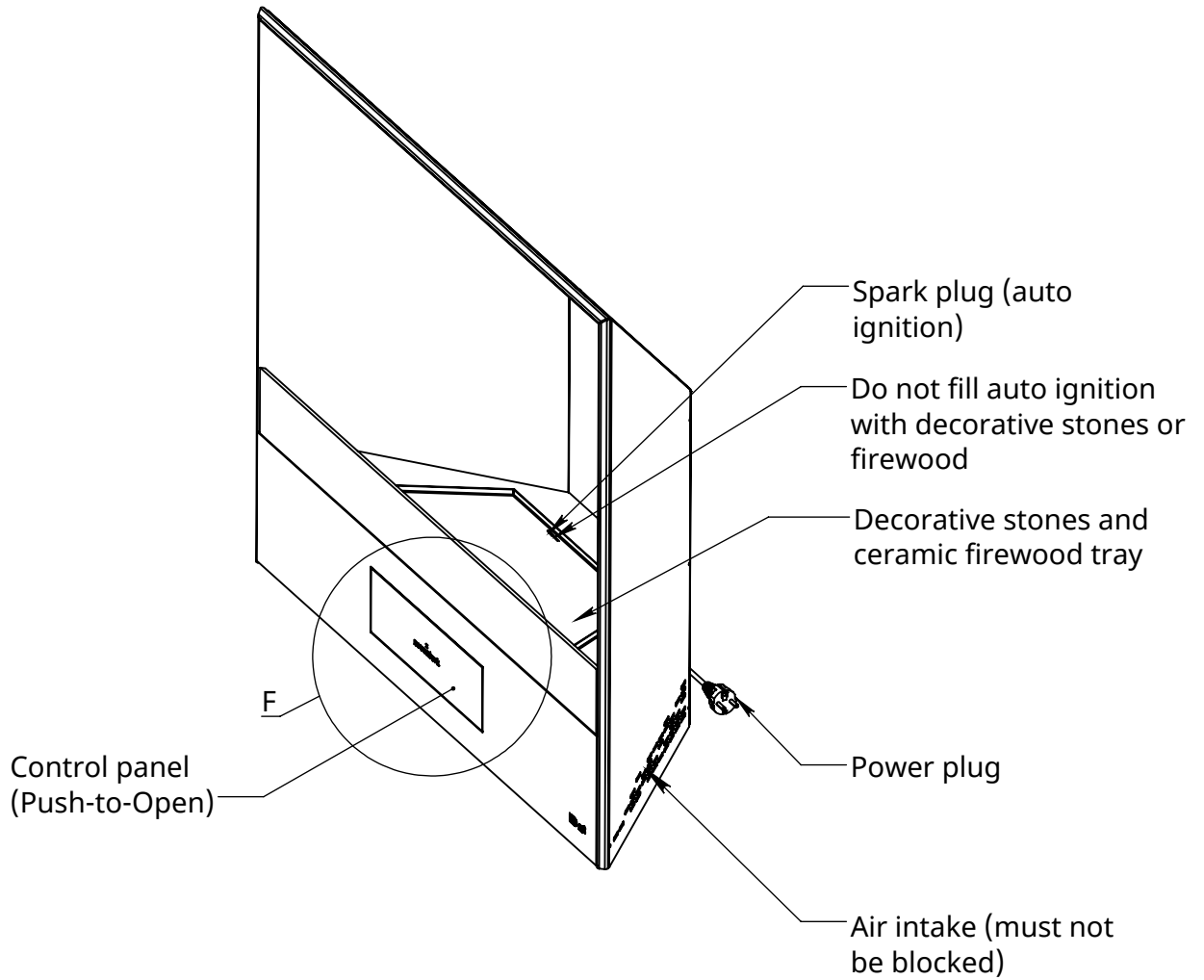
| | | X | Y | Z | |
|----------------------------|-------|------------|-----------|------------|------------|
| Model | Code | Length, mm | Width, mm | Height, mm | Weight, kg |
| The LOG Brass | LOG-B | 1083 | 314 | 842 | 56 |
| The LOG Black Glossy Glass | LOG-G | | | | |

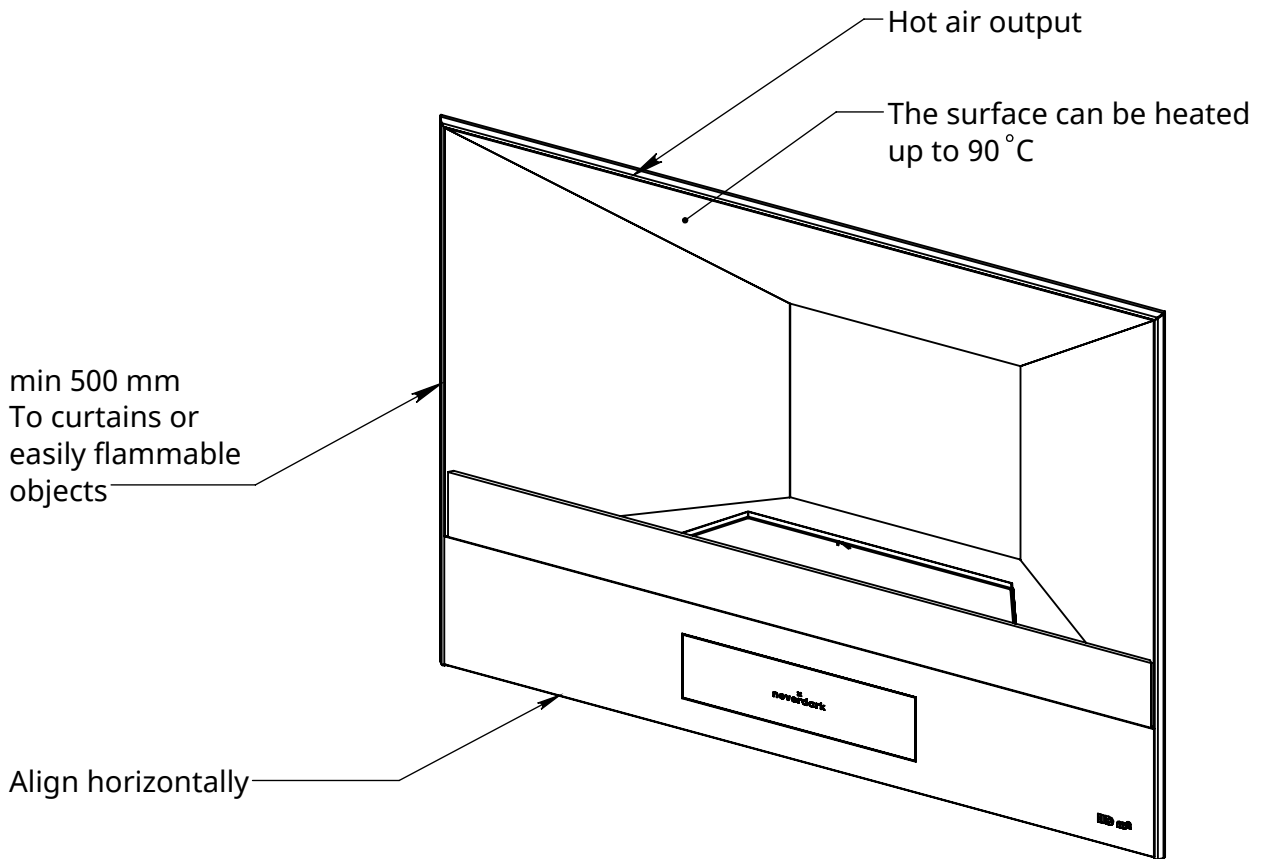
Standard configuration



| | |
|--------------------------------|------|
| Fireplace | 1pc |
| Decorative Stones | 1set |
| Ceramic firewood | 1set |
| Fiber for glow effect | 1set |
| Glass | 1pc |
| Filling hose | 1pc |
| Fuel drain hose (service only) | 1pc |
| Instructions | 1pc |
| Warranty card | 1pc |
| Micro USB cable (service only) | 1pc |
| Packaging | 1pc |







WARNING!

The manufacturer does not recommend placing objects above or next to the fireplace that are sensitive to high temperatures, as this can significantly shorten their service life. If the technical documentation were not followed, the manufacturer is not responsible for any damage to objects above or next to the fireplace resulting from exposure to high temperatures.

| Parameters | Fireplace model |
|---|-----------------|
| | LOG |
| Tank volume, l | 4,2 |
| Consumption, l / h (Min / Max) | 0,6 / 1 |
| Average consumption, l / h (Min / Max) | 0,8 |
| Burning time, h (Min / Max) | 7,0 / 4,2 |
| Room size*, m ² (Min / Recommended) | 27 / 68 |
| Maximum power consumption, kW | 0,90 |
| Heat power, kW (Min / Max) | 3,9 / 6,5 |
| Air consumption, m ³ /h (Min / Max) | 1,1 / 1,9 |
| CO ₂ release, m ³ /h (Min / Max) | 0,5 / 0,8 |

* Using a ventilation system

- Keep away from children;
- Ensure that the wall/table/floor on which you place the appliance can support its weight;
- Install only in a place protected from draughts;
- Do not cover top and side ventilation grids;
- Do not place flammable objects on the appliance;
- Keep a carbon dioxide fire extinguisher within sight;
- The use of a separate line with a fuse and/or circuit breaker is compulsory;
- For comfortable use of the fireplace it is necessary to ensure the supply of fresh air into the room and a removal of combustion products. It can be a ventilation extractor, recuperator or an opened window;
- Keep these installation instructions for the life of the fireplace.