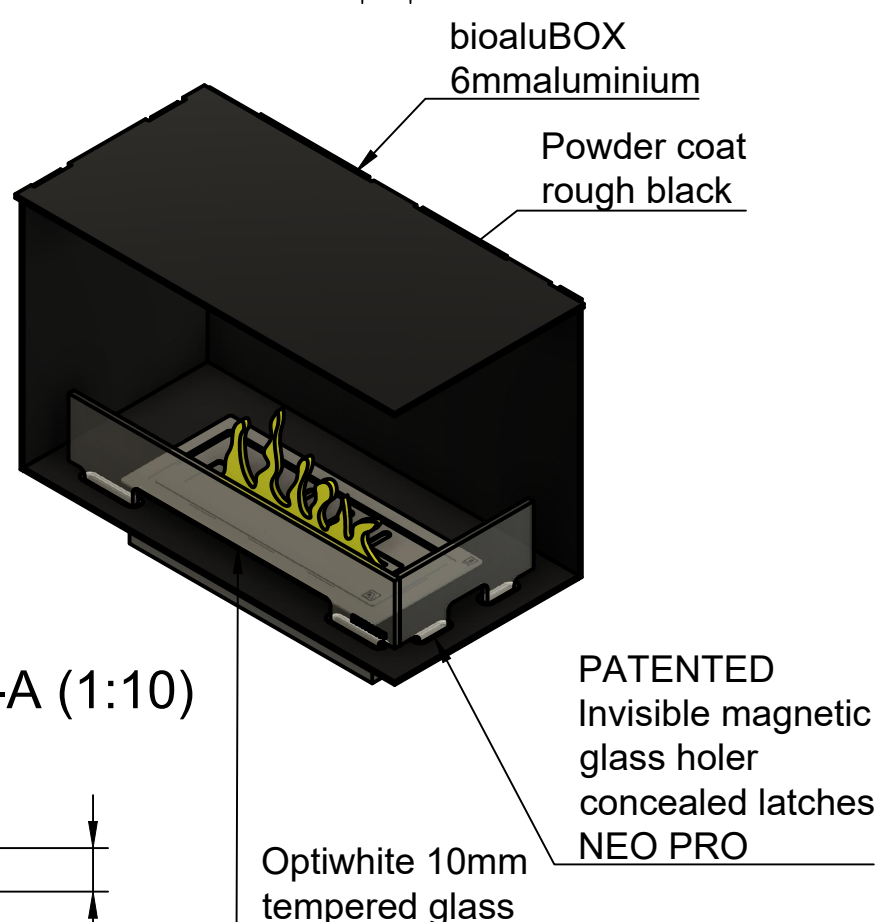
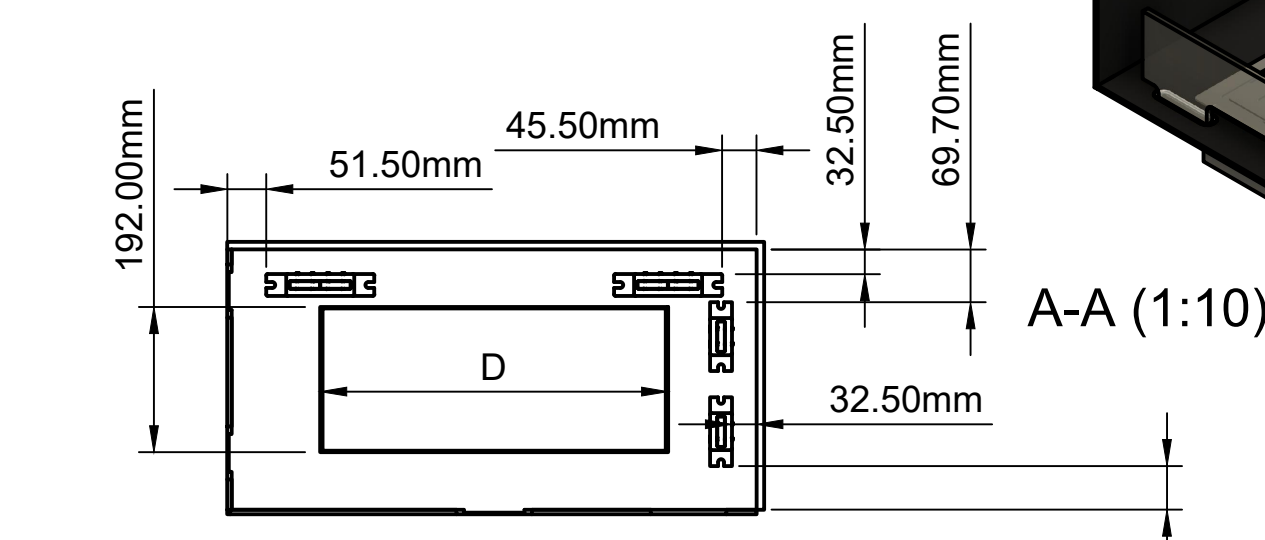
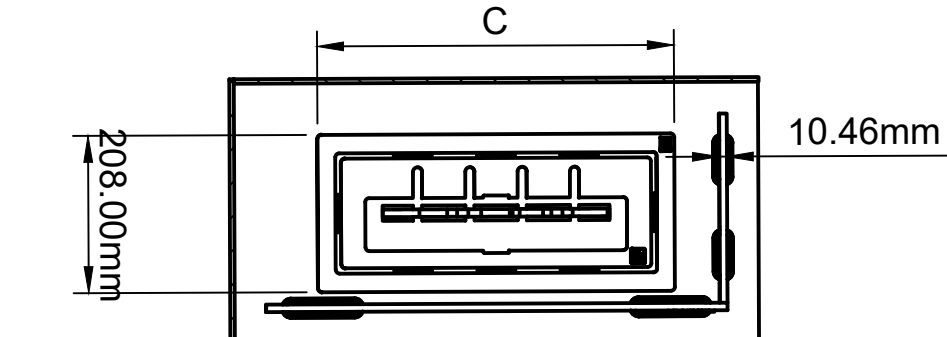
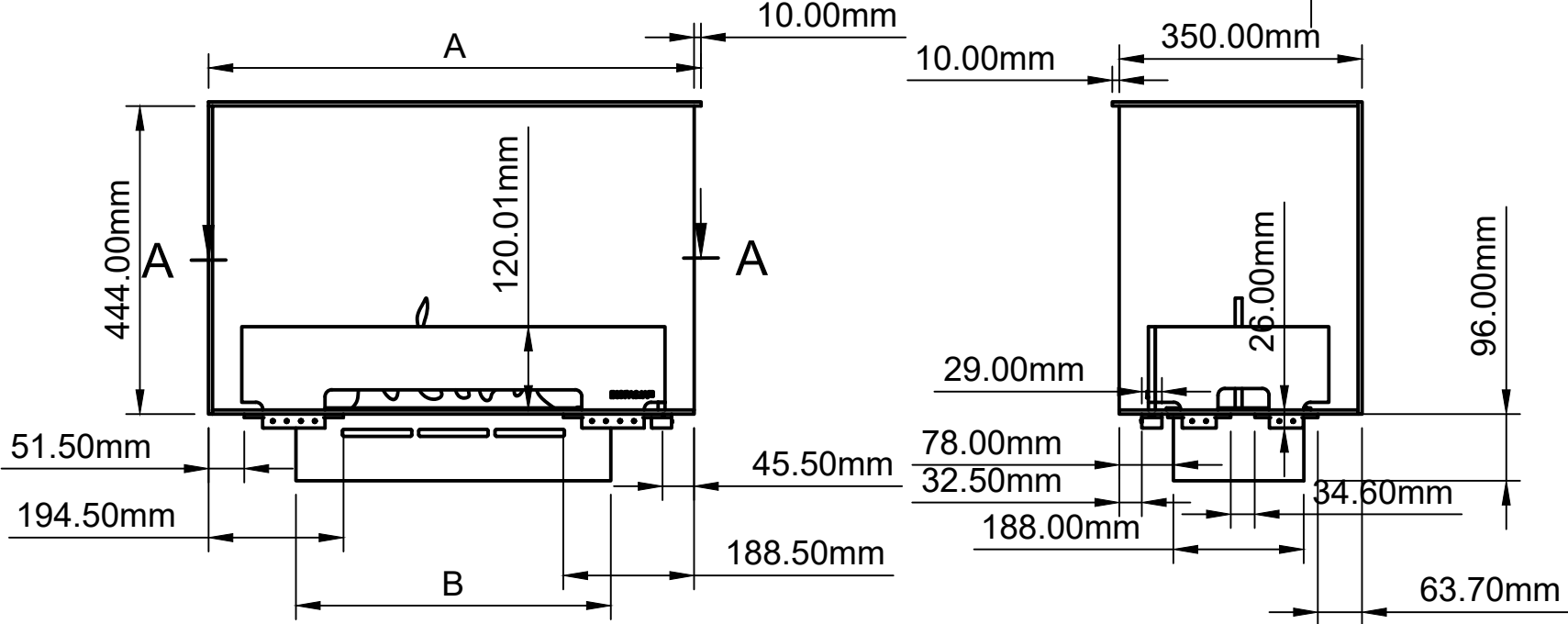
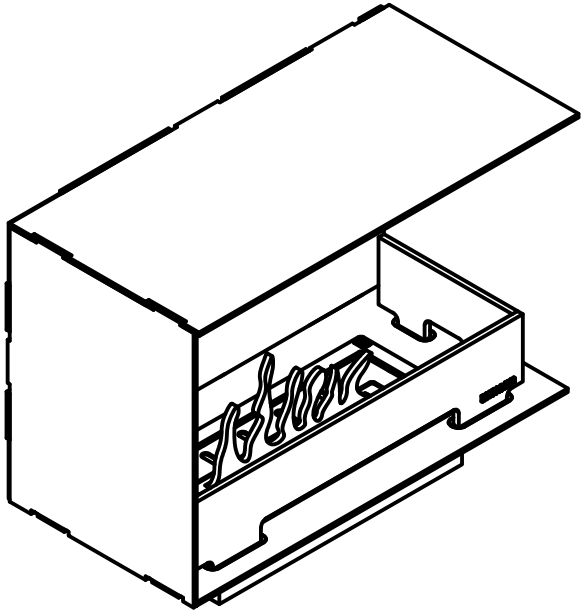


100% ORIGINAL
by **BIOPASJA**



DIMENSIONS IN MM			
A	B	C	D
700	454	472	460
800	554	572	560
900	654	672	660
1000	754	772	760
1100	854	872	860
1200	954	972	960
1300	1054	1072	1060
1400	1154	1172	1160
1500	1254	1272	1260

The drawing is subject to copyright Biopasja Sp. z o.o. Industrial design protection own by Biopasja Sp. z o.o RCD002681213 & Concealed latches NEOPRO - PATENT no. P.427092

bioaluBOX CR U01+ U03				Project No	BAB CR 700-1500
				Drawing No	Drw.01
Scale	Format	Drawn by	Drawn date	BIOPASJA	
1:10	A3	Adam	23/05/2022		
Rev.	Approved by	Rev. by	Rev. Date		

This drawing is our exclusive property and may not without our consent be utilized, reproduced, transmitted or communicated to a third party.



INDUSTRIAL DESIGN



GUARANTEE of QUALITY



FIREPLACE INSERTS IN ALL SHAPES



LOOKING FOR PRICES - SEE ON QUALITY AND SAFETY WE STANDS FOR 10 YEARS OF EXPERIENCE